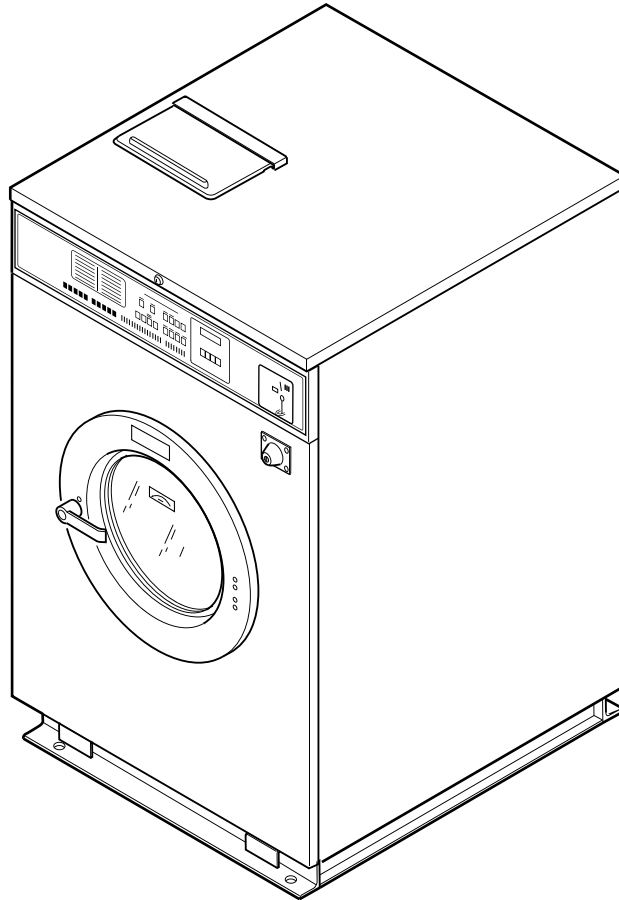


Washer-Extractor

Cabinet Hardmount

2 Speed Models with P, S or V Computers

Refer to Page 5 for Model Numbers



CHM1757C_F232175

Table of Contents

Title	Page
Parts Ordering Information.....	3
Nameplate Location	3
Model Identification	5
Decals	6
Graphic Panels and Controls - OPL Models	8
Graphic Panels and Controls - Coin Models	10
Control Module - PC, PN and SN Models	12
Control Module - VC and VN Models	14
Contactors.....	16
Coin Box (Optional).....	18
W2000 Coin Meter Assembly - PC Models.....	20
W2000 Coin Meter Assembly - VC Models, Single Drop.....	22
W2000 Coin Meter Assembly - VC Models, Dual Drop.....	24
Dispenser.....	26
Supply Dispenser Assembly - Mueller Valve	28
3-Way Mixing Valve - Mueller	30
Supply Dispenser Assembly - Elbi Valves	32
Automatic Supply Dispenser.....	34
Filter (Optional) and Supply Hose.....	36
Drain Valve Assembly - All Models Except HC50, SC50 and UC50 Models	38
Drain Valve Assembly - HC50, SC50 and UC50 Models.....	40
Drain Assembly, Hoses and Air Trap - All Models Except HC27, SC27 and UC27 Models	42
Drain Valve Assembly, Hoses and Air Trap - HC50, SC50 and UC50 Models with Heat Shell.....	44
Drain Valve Assembly, Hoses and Air Trap - HC27, SC27 and UC27 Models.....	46
Pump Drain Option - All Models Except HC27, SC27 and UC27 E-Voltage Models	48
Pump Drain Option - HC27, SC27 and UC27 E-Voltage Models.....	50
Door (Drawing 1 of 2).....	52
Door (Drawing 2 of 2).....	54
Outer Front Panel - 18, 25 and 27 Pound Capacity Models	56
Outer Front Panel - 35 and 50 Pound Capacity Models	58
Door Lock - Coin Models	60
Door Lock - OPL Models.....	62
Panels (Drawing 1 of 2)	64
Panels (Drawing 2 of 2)	66
Inner Front Panel Kit Replacements - Design 4 OPL Models	68
Inner Front Panel Kit Replacements - Design 4 Coin Models.....	70
Shell Front, Basket, Outer Shell and Trunnion (Drawing 1 of 2).....	72
Shell Front, Basket, Outer Shell and Trunnion (Drawing 2 of 2).....	74
Motor, Pulley and Belt Assembly (Drawing 1 of 3).....	76
Motor, Pulley and Belt Assembly (Drawing 2 of 3).....	78
Motor, Pulley and Belt Assembly (Drawing 3 of 3).....	80

© Copyright 2007, Alliance Laundry Systems LLC

All rights reserved. No part of the contents of this book may be reproduced or transmitted in any form or by any means without the expressed written consent of the publisher.

Motor, Pulley and Belt (Drawing 1 of 2)	82
Motor, Pulley and Belt (Drawing 2 of 2)	84
Steam Heat Option	86
Electric Heat Option (Drawing 1 of 2)	88
Electric Heat Option (Drawing 2 of 2)	90
Special Tools	92
Parts Index	95

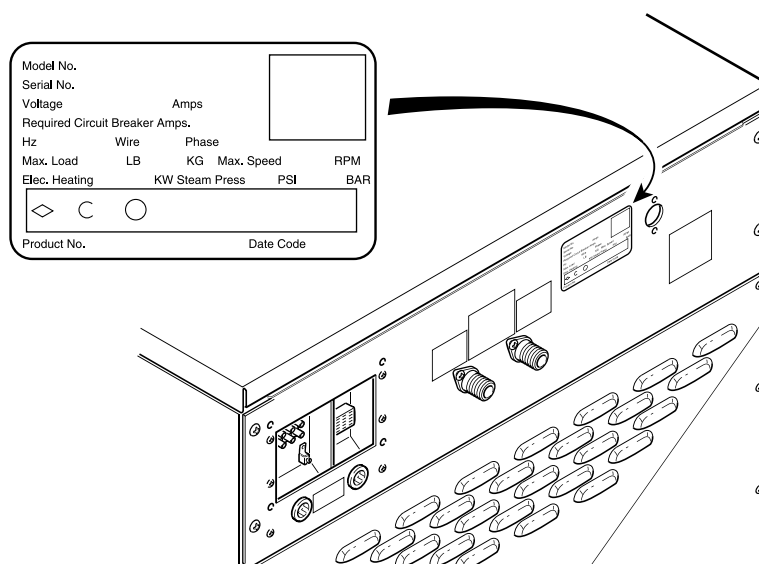
Parts Ordering Information

If literature or replacement parts are required, contact the source from whom the machine was purchased or contact Alliance Laundry Systems at (920) 748-3950 for the name and address of the nearest authorized parts distributor.

For technical assistance, call (920) 748-3121.

Nameplate Location

When calling or writing about your product, be sure to mention model and serial numbers. Model and serial numbers are located on nameplate(s) as shown.



CHM2454P_F232175

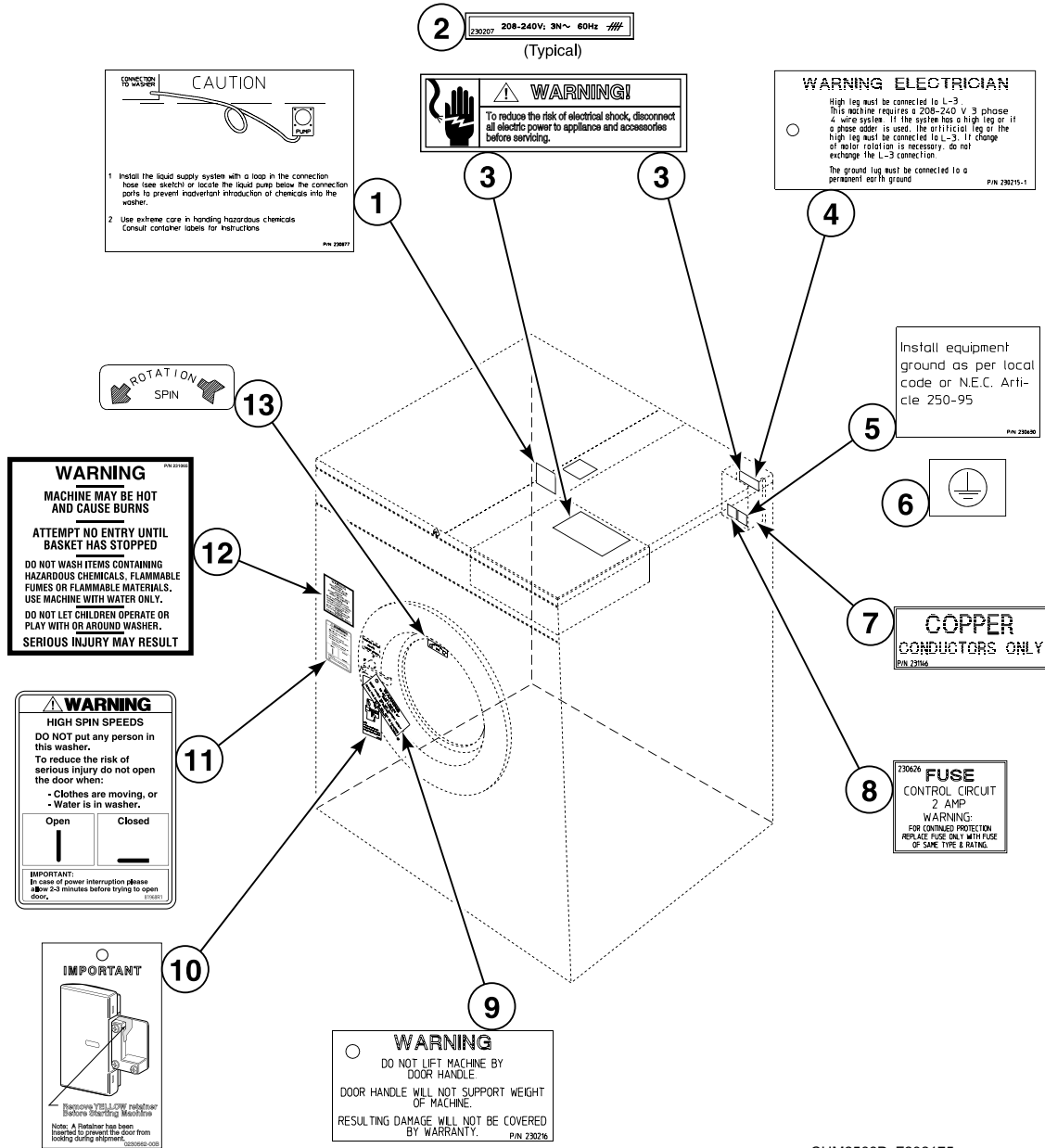
Model Identification

Information in this manual is applicable to these washer-extractor models:

HC18PC2	SC18SN2	UC18PC2
HC18SN2	SC18VN2	UC18PN2
HC18VC2	SC25SN2	UC18VN2
HC25PC2	SC25VN2	UC25PC2
HC25SN2	SC27SN2	UC25PN2
HC25VC2	SC27VN2	UC25VN2
HC27PC2	SC35SN2	UC27PC2
HC27SN2	SC35VN2	UC27PN2
HC27VC2	SC50SN2	UC27VN2
HC35PC2	SC50VN2	UC35PC2
HC35SN2		UC35PN2
HC35VC2		UC35VN2
HC50PC2		UC50PC2
HC50SN2		UC50PN2
HC50VC2		UC50VN2

NOTE: This manual applies to models of design 1-4 only

Decals



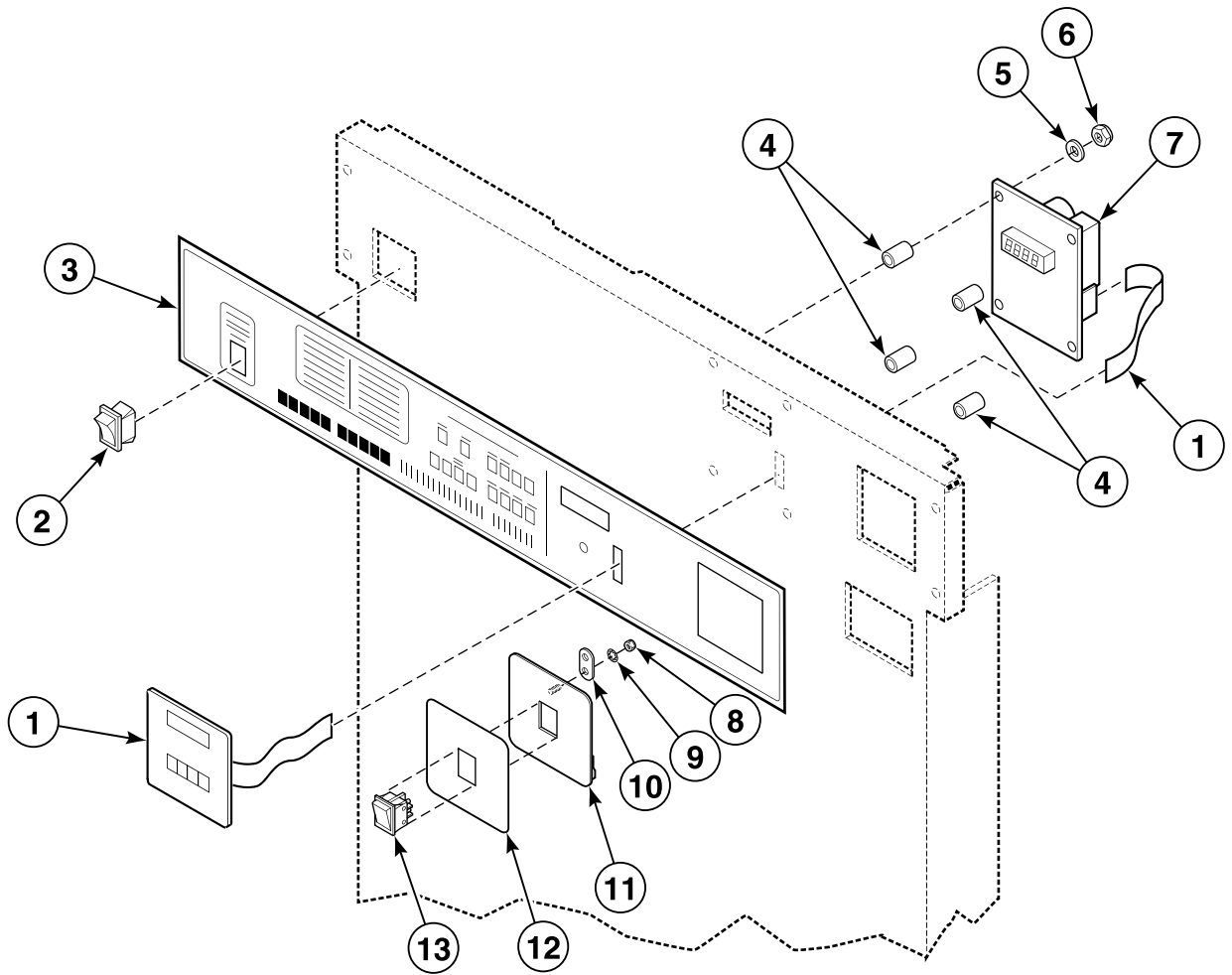
CHM2568P_F232175

Decals

REF	PART NO.	DESCRIPTION	COMMENTS
1	F230877	Liquid Supply Decal	OPL models
2	N/A	Decal	
3	505281	Disconnect Power Warning Label	
4	N/A	Voltage Warning Decal	
5	F230630	Ground Decal	
6	F230739	Ground Decal	
7	F231146	Conductor Decal	
8	N/A	Fuse Decal	
9	F230216	Do Not Lift Decal	
10	F230528	Remove Door Lock Tag	OPL models
11	81968	Door Warning Label	
12	F231065	Personal Injury Warning Decal	
13	F230693	Counterclockwise Spin Rotation Decal	

N/A = Part no longer available

Graphic Panels and Controls - OPL Models



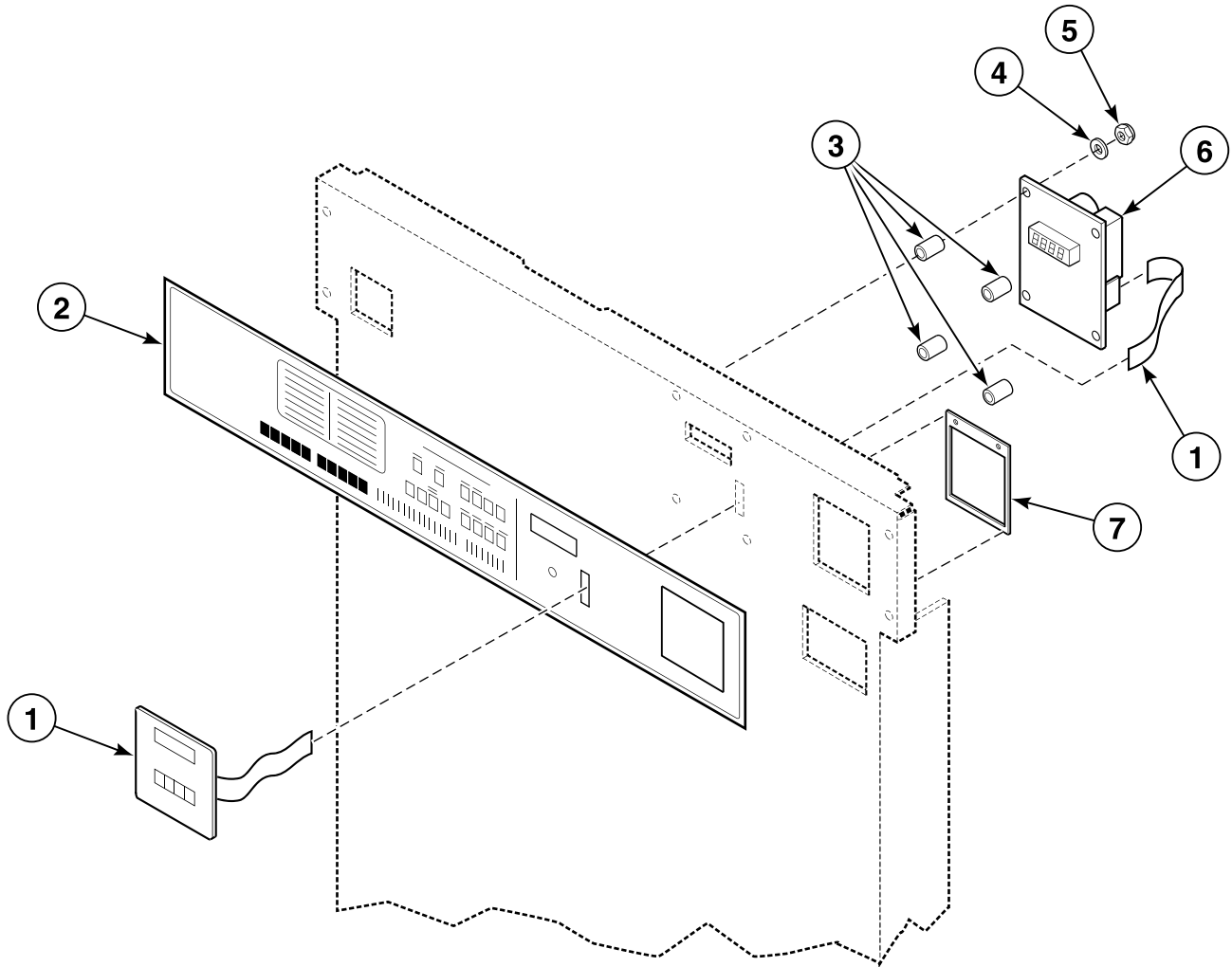
CHM1759P_F232175

Graphic Panels and Controls - OPL Models

REF	PART NO.	DESCRIPTION	COMMENTS
1	F370576P	Keypad	U models
	F340608P	Membrane Switch	S models
	F340614P	Membrane Switch	H models
2	F340412	Momentary Switch	
3	F231498	Control Panel Decal	Models UC18PN2, UC18VN2, UC25PN2 and UC25VN2
	N/A	Control Panel Decal	Models UC27PN2 and UC27VN2
	F231496	Control Panel Decal	Models UC35PN2 and UC35VN2
	N/A	Control Panel Decal	Models UC50PN2 and UC50VN2
	F231467	Control Panel Decal	Models SC18SN2, SC18VN2, SC25SN2 and SC25VN2
	F231468	Control Panel Decal	Models SC27SN2 and SC27VN2
	F231469	Control Panel Decal	Models SC35SN2 and SC35VN2
	F231470	Control Panel Decal	Models SC50SN2 and SC50VN2
	N/A	Control Panel Decal	Models HC18SN2 and HC25SN2
	F231546	Control Panel Decal	Model HC27SN2
	N/A	Control Panel Decal	Model HC35SN2
	N/A	Control Panel Decal	Model HC50SN2
4	F401206	Spacer	
5	F431113	Washer	
6	F431022	Nut	
7	F370313-30P	Microcomputer	V computer models
	F370555-11P	Board	P and S computer models; Armstrong distributor models
	F370555-01P	Computer	P and S computer models; All other models
8	F430232	Nut	
9	F431106	Washer	
10	F601515	Clip	
11	F633098	Switch Plate Sub-Assembly	
12	F230840	Switch Plate Decal	
13	F340411	Rocker Switch	Red

N/A = Part no longer available

Graphic Panels and Controls - Coin Models



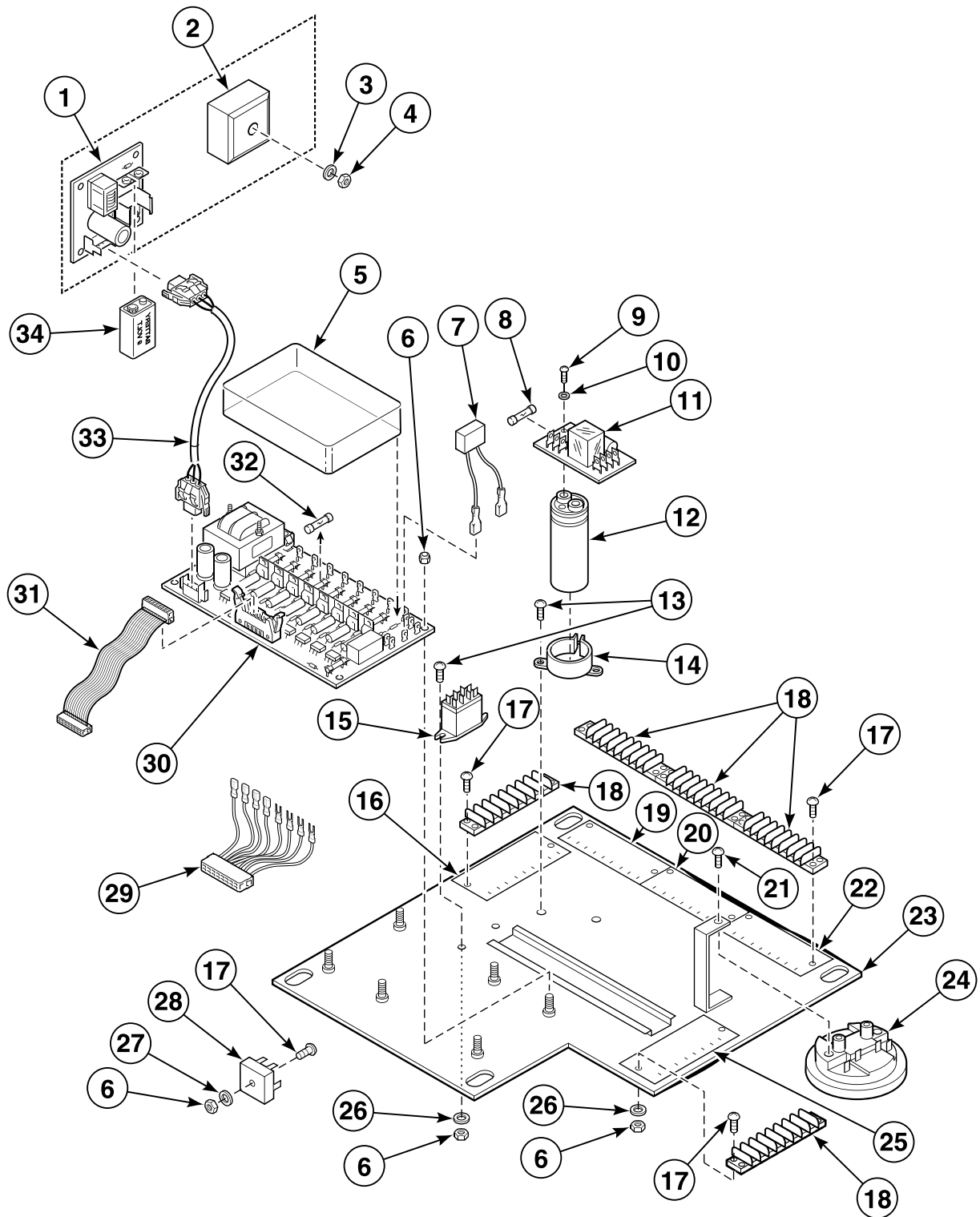
CHM1760P_F232175

Graphic Panels and Controls - Coin Models

REF	PART NO.	DESCRIPTION	COMMENTS
1	F340605P	Membrane Switch	U models
	F340615P	Membrane Switch	H models
2	F0231618-00	Control Panel Decal	Models UC18PC2 and UC25PC2
	N/A	Control Panel Decal	Model UC27PC2
	N/A	Control Panel Decal	Model UC35PC2
	N/A	Control Panel Decal	Model UC50PC2
	N/A	Control Panel Decal	Models HC18PC2, HC18VC2, HC25PC2 and HC25VC2
	F231551	Control Panel Decal	Models HC27PC2 and HC27VC2
	N/A	Control Panel Decal	Models HC35PC2 and HC35VC2
	F231553	Control Panel Decal	Models HC50PC2 and HC50VC2
3	F401206	Spacer	
4	F431113	Washer	
5	F431022	Nut	
6	F370518-10P	Computer	P computer models
	F370518-00P	Computer	P computer models with electric heat
	F370313P	Microcomputer Board	V computer models through 7/4/99
	F370313-40P	Microcomputer	V computer models starting 7/5/99
7	F0634819-00	Coin Meter Mounting Shim	For models without an extrusion only

N/A = Part no longer available

Control Module - PC, PN and SN Models

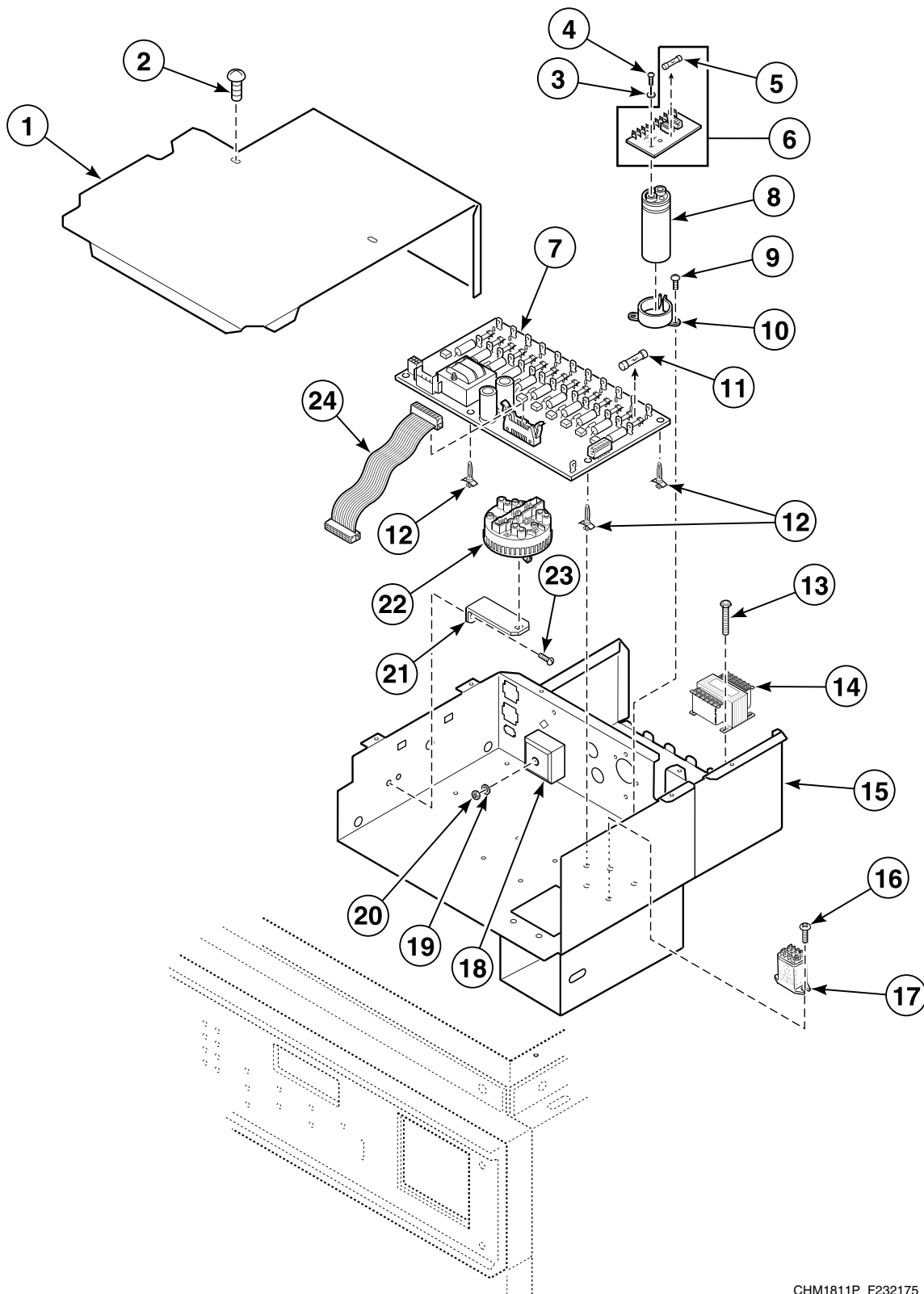


CHM1761P_F232175

Control Module - PC, PN and SN Models

REF	PART NO.	DESCRIPTION	COMMENTS
1	F370529P	Battery Adapter Board	
2	F200025200	Door Lock Time Delay	
3	F431100	Washer	
4	F430211	Nut	
5	F140423	Cover	
6	F431022	Nut	
7	F330217P	RC Network Filter	Includes F140627 Connector and F141022 Connector
8	F350110	Fuse	
9	F430904	Screw	
10	F431108	Washer	
11	F370426-1P	Door Lock Relay CCA	120 Volt; PC models
	F370426-2P	Door Lock Relay CCA	220 Volt; PC models
12	F370225P	Capacitor	
13	F430917	Screw	
14	F140612P	Capacitor Mounting Clamp	
15	F330227	Flange Relay	120 Volt
	F330230	Flange Relay	220 Volt
16	F140912	Terminal Strip Insulator Decal	1-8
17	F430916	Screw	
18	F140738	Terminal Strip	
19	F140913	Terminal Strip Insulator Decal	9-16
20	F140914	Terminal Strip Insulator Decal	17-24
21	F430928	Screw	
22	F140915	Terminal Strip Insulator Decal	25-32
23	F0606950-02	Electrical Panel Sub-Assembly	
24	F340325P	Water Level Switch	HC18, HC25, SC18, SC25, UC18 and UC25 models without heat
	F340311P	Water Level Switch	HC18, HC25, SC18, SC25, UC18 and UC25 models with heat
	F340312P	Water Level Switch	HC27, SC27 and UC27 models with or without heat
	F340337P	Water Level Switch	HC50, SC50 and UC50 models with heat
	F340321P	Water Level Switch	HC35, SC35 and UC35 models with or without heat; HC50, SC50 and UC50 models without heat
25	F140916	Terminal Strip Insulator Decal	33-40
26	F431113	Washer	
27	F431113	Washer	
28	F370310	Bridge Rectifier	OPL models
29	F141871P	Input Harness Kit	
30	F370554	Fuse Board	120 Volt; PN and SN models
	F370450P	Output Board CCA	220 Volt; PN and SN models
	F370519P	Relay Board	120 Volt; PC models
	F610808	Relay Board	220 Volt; PC models
31	F140216P	Ribbon Cable	120 Volt; PN and SN models
32	F350110	Fuse	1 Amp; Slo blo
	F350108	Fuse	1/8 Amp; Slo blo
	F350109	Fuse	1/2 Amp; Fast blo
33	F140249	Battery Backup Wire Harness	
34	F191101	Battery	

Control Module - VC and VN Models



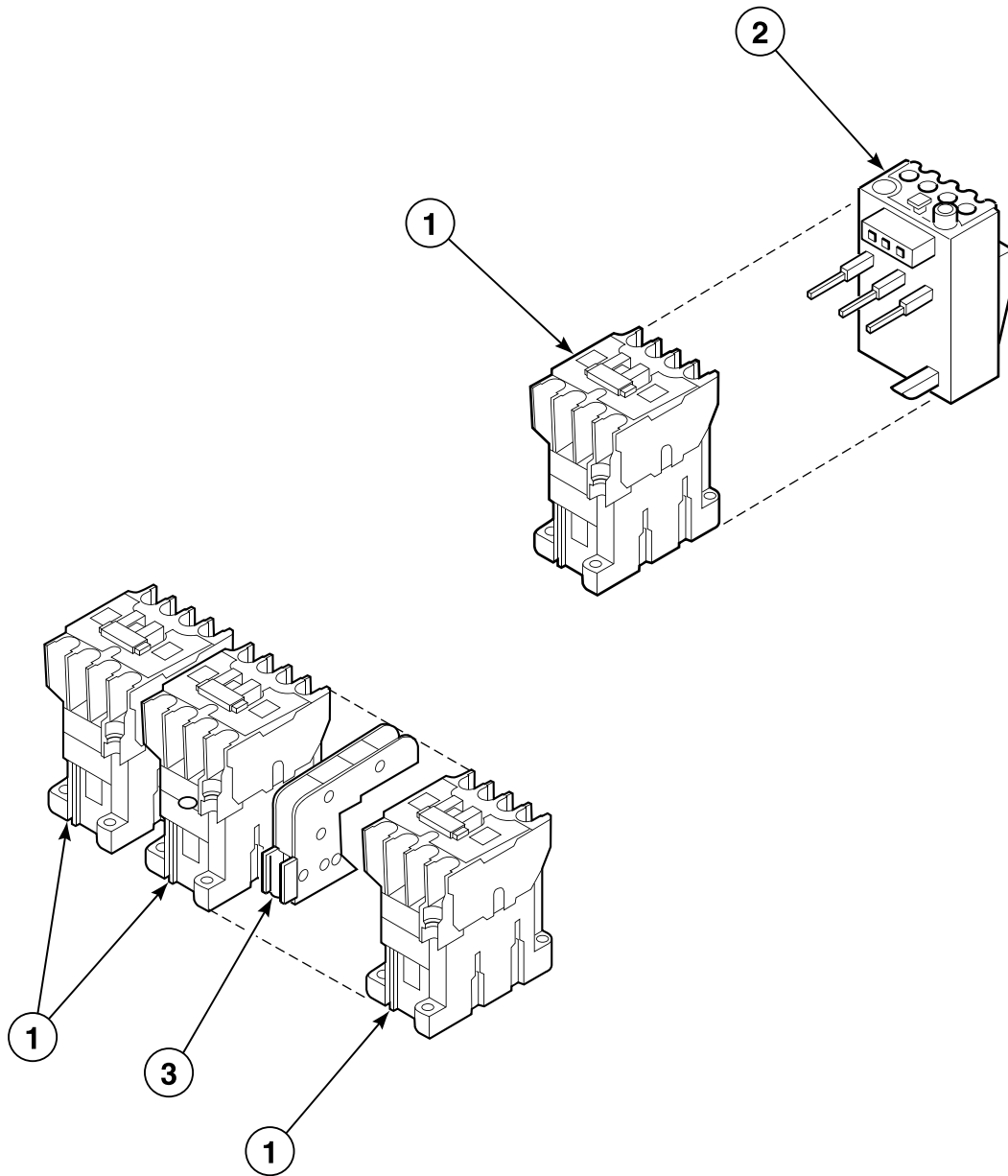
CHM1811P_F232175

Control Module - VC and VN Models

REF	PART NO.	DESCRIPTION	COMMENTS
1	F634175	Control Module Cover	
2	F430174	Screw	
3	F431108	Washer	VC models
4	F430904	Screw	VC models
5	F350110	Fuse	VC models
6	F0632387-01P	Door Lock CCA	120 Volt; Includes item 5; VC models
	F632387-2	Door Lock CCA	220 Volt; Includes item 5; VC models
7	F370448P	Output Board CCA	120 Volt
	F370448-6P	Output Board CCA	220 Volt
8	F370225P	Capacitor	VC models
9	F430917	Screw	VC models
10	F140612P	Capacitor Mounting Clamp	VC models
11	F350110	Fuse	1 Amp; Slo blo
	F350108	Fuse	1/8 Amp; Slo blo
	F350109	Fuse	1/2 Amp; Fast blo
12	F180501	Standoff	4 required
13	F430108	Screw	
14	F360124P	Transformer	Models with pump drain
	F360117P	Transformer	Models without pump drain
15	F634236-1	Control Box Assembly	VC models
	N/A	Control Box Assembly	VN models
16	F430482	Screw	
17	F330227	Flange Relay	120 Volt
	F330230	Flange Relay	220 Volt
18	F200025200	Door Lock Time Delay	VC models
19	F431100	Washer	VC models
20	F430211	Nut	VC models
21	F631920	Water Level Switch Bracket	
22	F0340343-10P	Water Level Switch	Standard; HC18, HC25, HC27, SC18, SC25, SC27 UC18, UC25 and UC27 models
	F0340345-10P	Water Level Switch	Standard; HC35, HC50, SC35, SC50, UC35 and UC50 models
	F0340350-00	Water Pressure Switch	Heat safety
23	F430482	Screw	
24	F140247	Ribbon Cable	

N/A = Part no longer available

Contactors



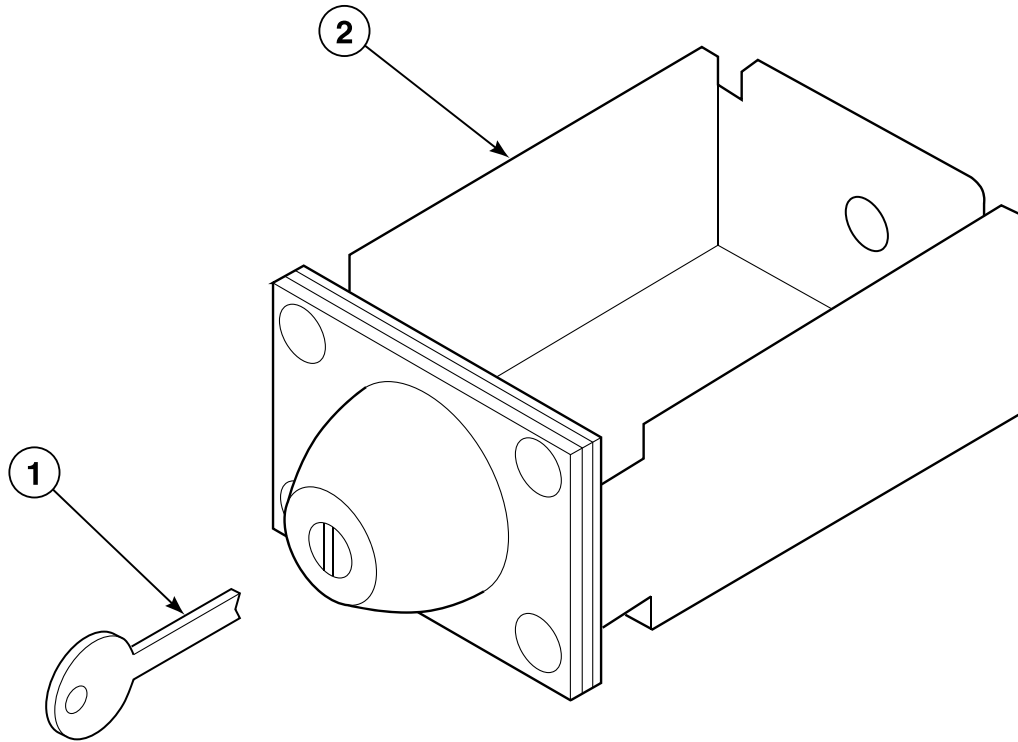
CHM1762P_F232175

Contactors

REF	PART NO.	DESCRIPTION	COMMENTS
1	F330175P	Contactator	120 Volt
	F330177P	Contactator	220 Volt
2	F0330192-00P	Overload Contactator	HC18, HC25, HC27, SC18, SC25, SC27, UC18, UC25 and UC27 models
	F330403P	Overload Contactator	HC35, SC35 and UC35 models
	F0330191-00P	Overload Contactator	HC50, SC50 and UC50 models
3	F330186P	Interlock Contactator	

NOTE: The contactor overloads and contactor interlock must be replaced as a group.

Coin Box (Optional)



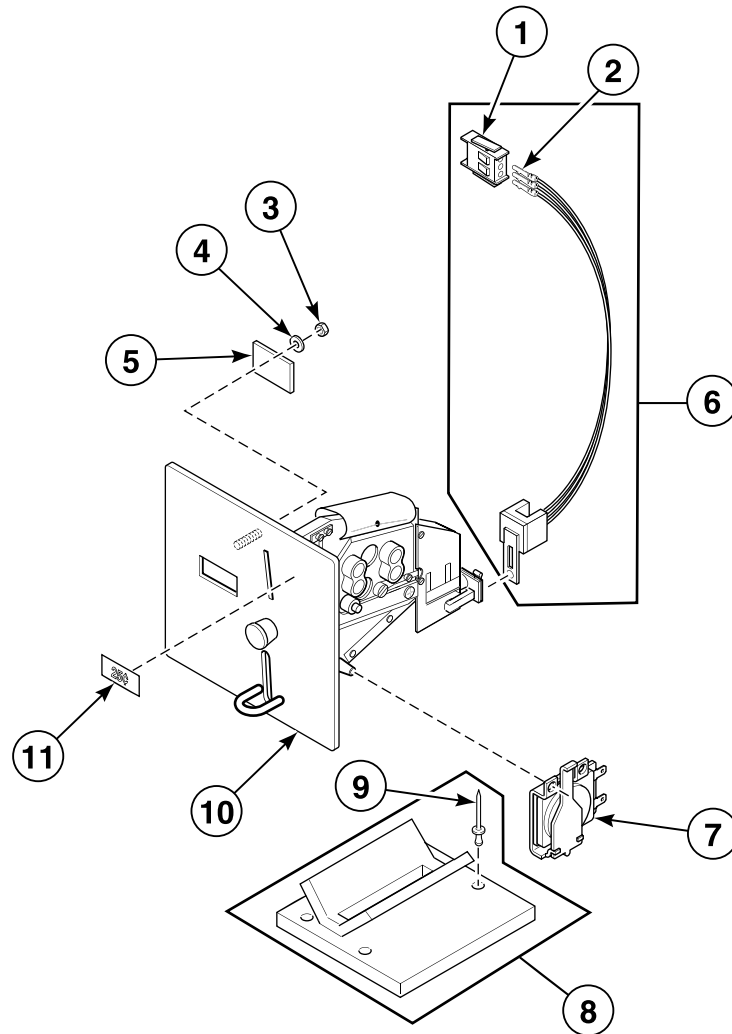
CHM1764P_F232175

Coin Box (Optional)

REF	PART NO.	DESCRIPTION	COMMENTS
1	F160582	Key	UG11
	N/A	Key	UG12
	N/A	Key	UG13
	N/A	Key	UG14
	N/A	Key	UG15
	N/A	Key	UG16
	N/A	Key	UG17
	N/A	Key	UG18
	N/A	Key	UG19
	N/A	Key	UG20
	F160420	Key	UG21
	F160421	Key	UG22
	F160422	Key	UG23
	F160423	Key	UG24
	F160424	Key	UG25
2	N/A	Coin Box	UG11; Short
	N/A	Coin Box	UG12; Short
	N/A	Coin Box	UG13; Short
	F160631	Coin Box	UG14; Short
	F160632	Coin Box	UG15; Short
	F160633	Coin Box	UG16; Short
	F160634	Coin Box	UG17; Short
	N/A	Coin Box	UG18; Short
	F160636	Coin Box	UG19; Short
	N/A	Coin Box	UG20; Short
	F160672	Coin Box	UG21; Long
	F160673	Coin Box	UG22; Long
	N/A	Coin Box	UG23; Long
	N/A	Coin Box	UG24; Long
	N/A	Coin Box	UG25; Long

N/A = Part no longer available

W2000 Coin Meter Assembly - PC Models



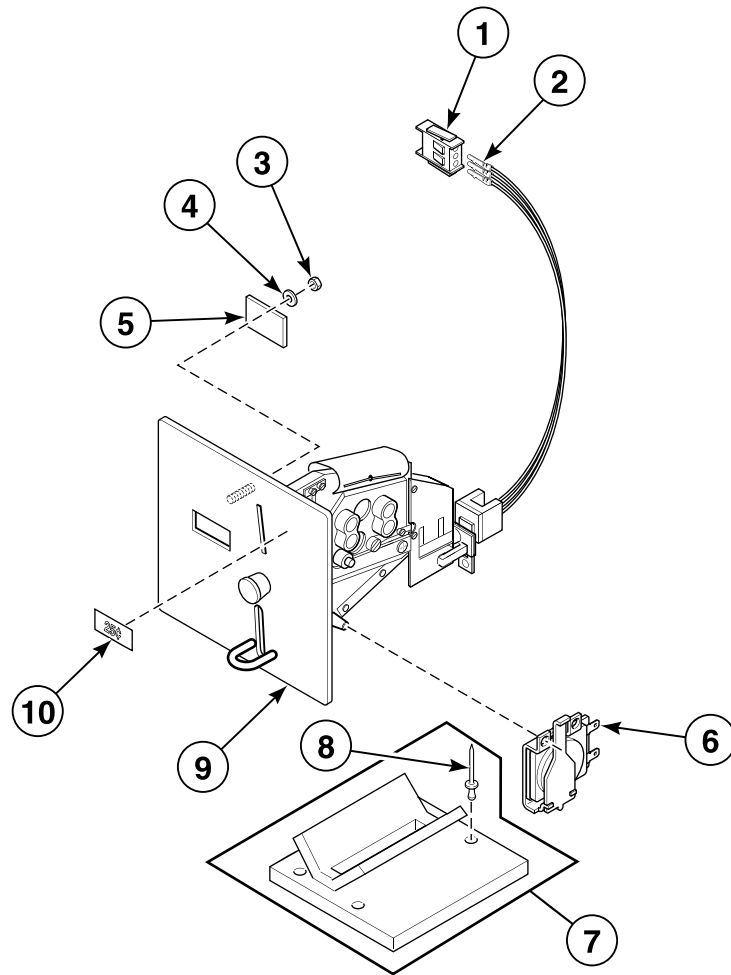
CHM2690P_F232175

W2000 Coin Meter Assembly - PC Models

REF	PART NO.	DESCRIPTION	COMMENTS
1	N/A	Female Connector	
2	N/A	Male Pin Connector	
3	F430243	Nut	
4	F431925	Washer	
5	F608925	Coin Meter Insert	
6	F775801-02P	Optic Switch Kit	Includes items 1 and 2
7	F160466P	Coin Meter Blocking Coil	120 Volt
	F160467	Coin Meter Blocking Coil	220 Volt
8	F200002500	Coin Guide Assembly	Includes item 9; Models through 11/95
	F200002502P	Coin Guide Assembly	Includes item 9; Models starting 12/95
9	F431215	Pop Rivet	
10	F200005800	Coin Meter Assembly	U.S quarter; 120 Volt; Includes items 1-7 and F775302-03P Coin Meter Kit
	F200005801	Coin Meter Assembly	10 Taiwan; 120 Volt; Includes items 1-7 and F200115001 Coin Meter Assembly
	F200005802	Coin Meter Assembly	.880 token; 220 Volt; Includes items 1-7 and F160692 Coin Meter
	F200005803	Coin Meter Assembly	.990 token; 120 Volt; Includes items 1-7, 11 and F200115003 Coin Meter Assembly
	F200005804	Coin Meter Assembly	.990 token; 220 Volt; Includes items 1-7 and F160717 Coin Meter
	F200005805	Coin Meter Assembly	U.S quarter; 220 Volt; Includes items 1-7, 11 and F160718 Coin Meter
	F200005806	Coin Meter Assembly	.08 jeton; 220 Volt; Includes items 1-7 and F160719 Coin Meter
	F200005807	Coin Meter Assembly	.800 token; 120 Volt; Includes items 1-7 and F0160735-00 Coin Meter
	F200005808	Coin Meter Assembly	500 wan and yen; 120 Volt; Includes items 1-7 and F0160739-00 Coin Meter
	F200005809	Coin Meter Assembly	.800 token; 220 Volt; Includes items 1-7
	F200005810	Coin Meter Assembly	500 wan and yen; 220 Volt; Includes items 1-7
F200005811	Coin Meter Assembly	10 Taiwan; 220 Volt; Includes items 1-7	
11	F231010	Coin Meter Insert Decal	.25

N/A = Part no longer available

W2000 Coin Meter Assembly - VC Models, Single Drop

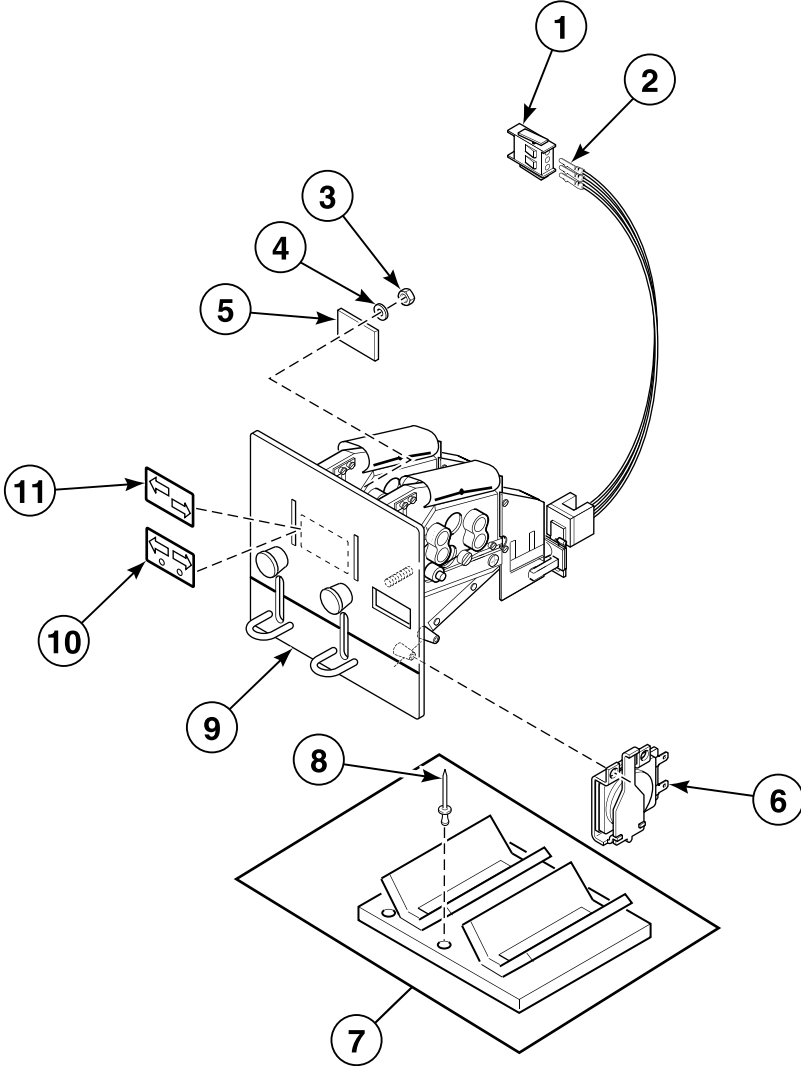


CHM2691P_F232175

W2000 Coin Meter Assembly - VC Models, Single Drop

REF	PART NO.	DESCRIPTION	COMMENTS
1	F140571	Male Connector	
2	00430	Female Pin Terminal	
3	F430243	Nut	
4	F431925	Washer	
5	F608925	Coin Meter Insert	
6	F160466P	Coin Meter Blocking Coil	120 Volt
	F160467	Coin Meter Blocking Coil	220 Volt
7	F200002500	Coin Guide Assembly	Includes item 8; Models through 11/95
	F200002502P	Coin Guide Assembly	Includes item 8; Models starting 12/95
8	F431215	Pop Rivet	
9	F200003800P	Coin Meter Assembly	U.S quarter; 120 Volt; Includes items 1-6, 10 and F775302-03 Coin Meter Kit
	F200003801	Coin Meter Assembly	10 Taiwan; 120 Volt; Includes items 1-6 and F200115001 Coin Meter Assembly
	F200003802P	Coin Meter Assembly	.880 token; 220 Volt; Includes items 1-6 and F160692 Coin Meter
	F200003803	Coin Meter Assembly	.990 token; 120 Volt; Includes items 1-6 and F200115003 Coin Meter Assembly
	F200003805	Coin Meter Assembly	.990 token; 220 Volt; Includes items 1-6 and F160717 Coin Meter
	F200003806P	Coin Meter Assembly	U.S quarter; 220 Volt; Includes items 1-6, 10 and F160718 Coin Meter
	F200003807	Coin Meter Assembly	.80 jeton; 220 Volt; Includes items 1-6 and F160719 Coin Meter
	F200003808	Coin Meter Assembly	.800 token; 120 Volt; Includes items 1-6 and F0160735-00 Coin Meter
	F200003809	Coin Meter Assembly	500 wan and yen; 120 Volt; Includes items 1-6 and F0160739-00 Coin Meter
	F200003810	Coin Meter Assembly	.800 token; 220 Volt; Includes items 1-6
	F200003811	Coin Meter Assembly	500 wan and yen; 220 Volt; Includes items 1-6
	F200003812	Coin Meter Assembly	10 Taiwan; 220 Volt; Includes items 1-6
10	F231010	Coin Meter Insert Decal	.25

W2000 Coin Meter Assembly - VC Models, Dual Drop

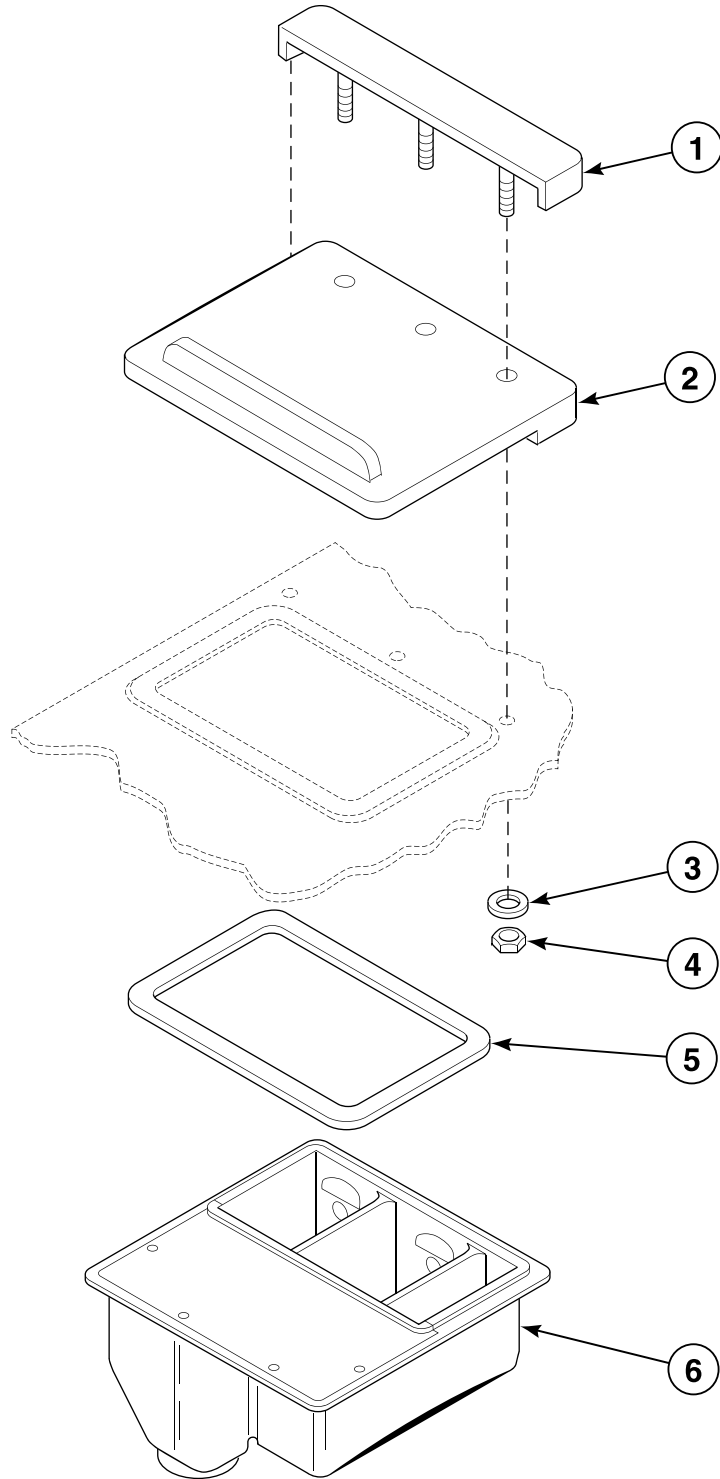


CHM2736P_F232175

W2000 Coin Meter Assembly - VC Models, Dual Drop

REF	PART NO.	DESCRIPTION	COMMENTS
1	F140571	Male Connector	
2	00430	Female Pin Terminal	
3	F430243	Nut	
4	F431925	Washer	
5	F608925	Coin Meter Insert	
6	F160466P	Coin Meter Blocking Coil	120 Volt
	F160467	Coin Meter Blocking Coil	220 Volt
7	F200002501	Coin Guide Assembly	Models through 11/95; Includes item 8
	F200002503	Coin Guide Assembly	Models starting 12/95; Includes item 8
8	F431215	Pop Rivet	
9	F200005200	Coin Meter Assembly	U.K. 1 pound and 20 pence; 220 Volt; Includes items 1-6 and F160691 Coin Meter
	F200005201	Coin Meter Assembly	100 and 500 yen; 120 Volt; Includes items 1-6 and F160693 Coin Meter
	F200005202	Coin Meter Assembly	1 and 5 krona; 220 Volt; Includes items 1-6 and F160694 Coin Meter
	F200005203	Coin Meter Assembly	Australia 1.00 and .20; 220 Volt; Includes items 1-6 and F160695 Coin Meter
	F200005204	Coin Meter Assembly	1 and 5 rand; 220 Volt; Includes items 1-6 and F160698 Coin Meter
	F200005205	Coin Meter Assembly	1 and 5 shekel; 220 Volt; Includes items 1-6 and F160715 Coin Meter
	F200005206	Coin Meter Assembly	U.S. \$1.00 and \$.25; 120 Volt; Includes items 1-6, 10 and F0160730-00 Coin Meter
	F200005207	Coin Meter Assembly	100 and 500 peseta; 220 Volt; Includes items 1-6
	F200005208	Coin Meter Assembly	.50 and 2.00 euro; 220 Volt; Includes items 1-6, 11 and F0160736-00 Coin Meter
	F200005209	Coin Meter Assembly	Canada \$1.00 and \$.25; 120 Volt; Includes items 1-6, 10 and F0160740-00 Coin Meter
	F200005210	Coin Meter Assembly	U.S. \$1.00 and \$.25; 220 Volt; Includes items 1-6
	F200005211	Coin Meter Assembly	Canada \$1.00 and \$.25; 220 Volt; Includes items 1-6
F200005212	Coin Meter Assembly	100 and 500 yen; 220 Volt; Includes items 1-6	
10	F0231595-00	Coin Meter Decal	\$1/.25
11	F0231595-01	Coin Meter Decal	.50/2.00 euro

Dispenser

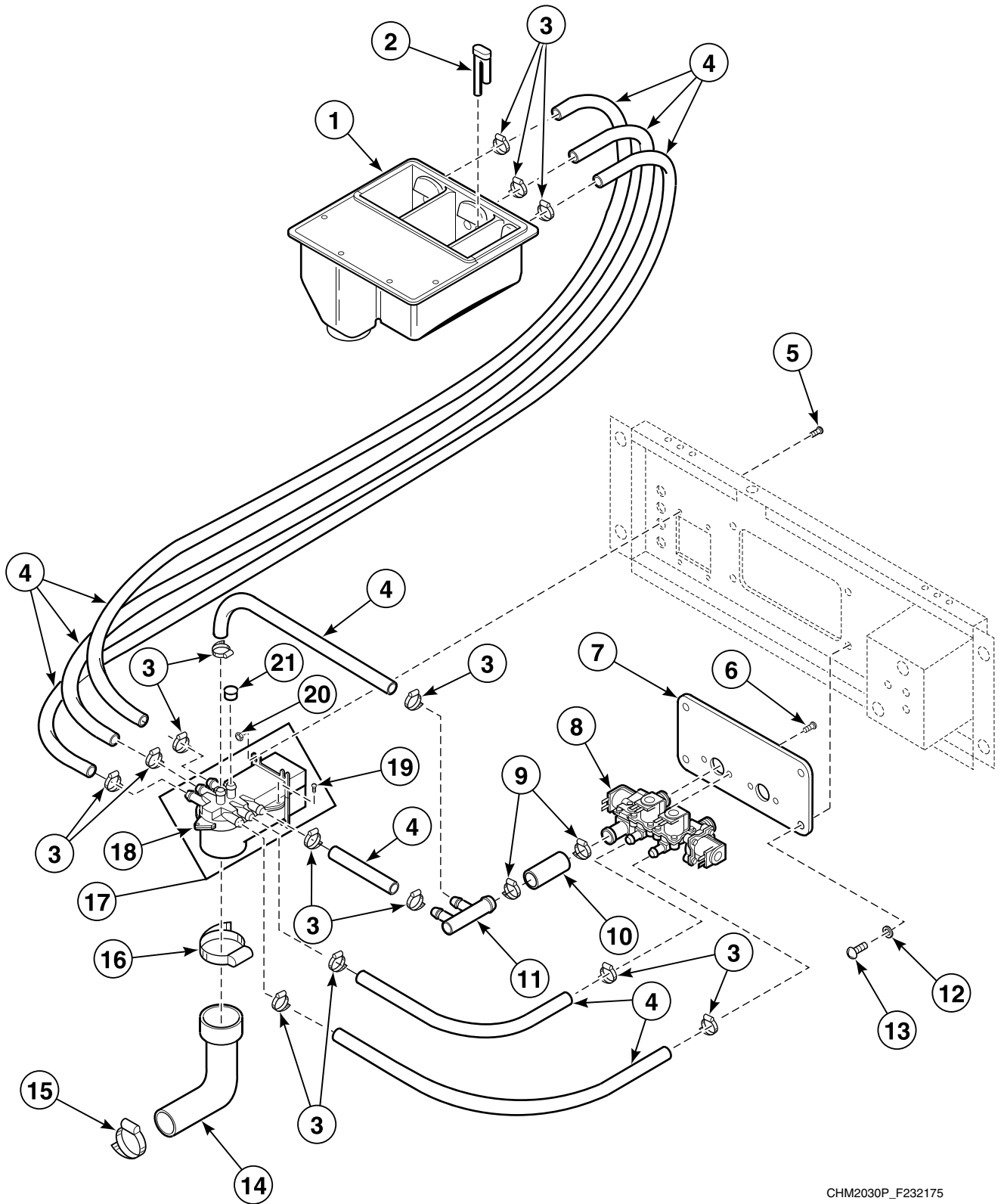


B015P_F232175

Dispenser

REF	PART NO.	DESCRIPTION	COMMENTS
1	F630430	Lid Clamp Assembly	
2	F200270501	Supply Dispenser Lid	
3	F431147	Washer	
4	F431024	Nut	
5	F170170	Supply Dispenser Gasket	
6	F0150505-00	Soap Dispenser Sub-Assembly	Coin models
	F602374-2	Soap Dispenser	OPL models; 4 liquid connectors
	F602374-3	Supply Dispenser	OPL models; 5 liquid connectors

Supply Dispenser Assembly - Mueller Valve



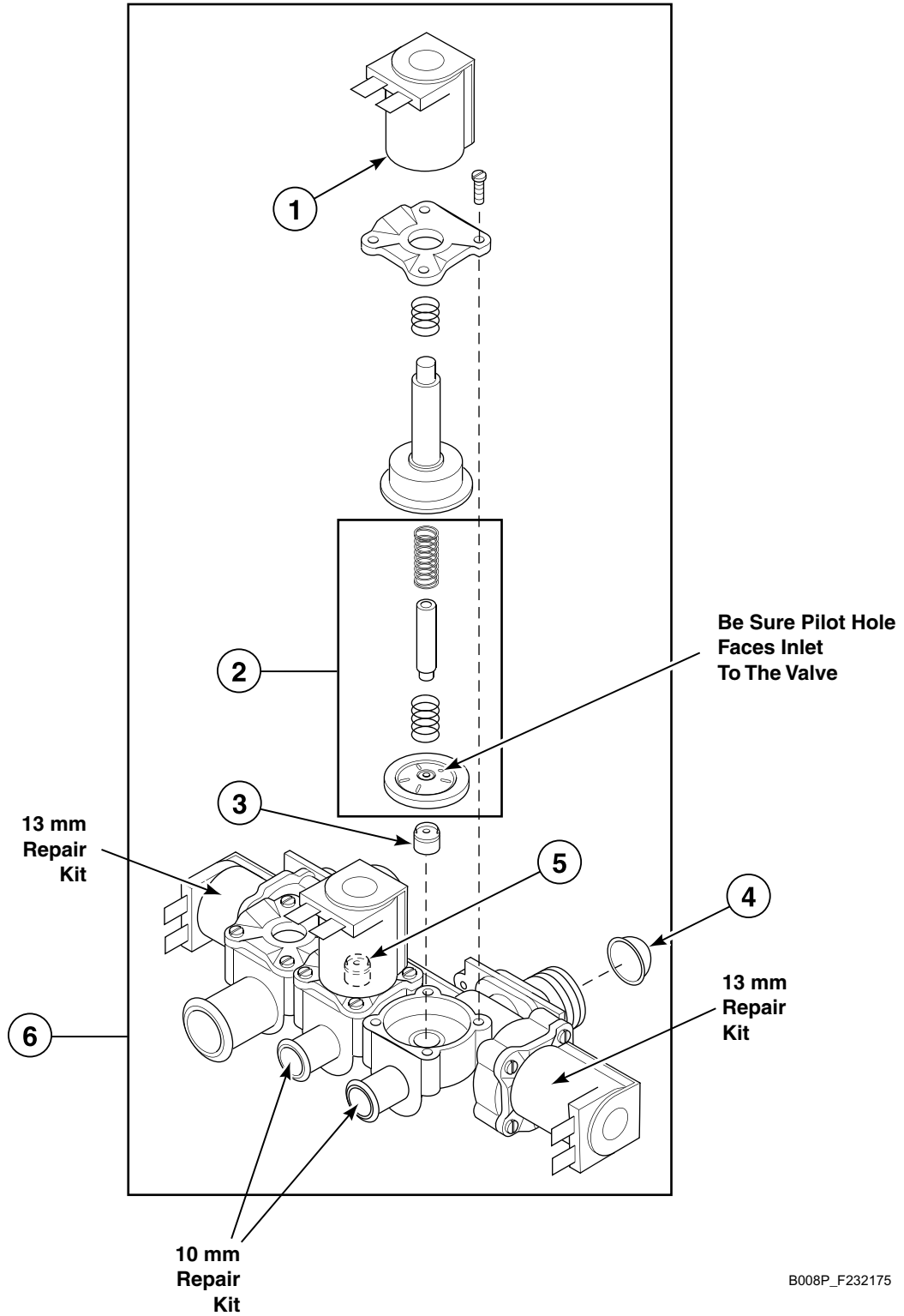
CHM2030P_F232175

Supply Dispenser Assembly - Mueller Valve

REF	PART NO.	DESCRIPTION	COMMENTS
1	F0150505-00	Soap Dispenser Sub-Assembly	Coin models
	F602374-2	Soap Dispenser	OPL models; 4 liquid connectors
	F602374-3	Supply Dispenser	OPL models; 5 liquid connectors
2	F150390	Siphon Tube	Optional
3	36801	Hose Clamp	No. 6
4	F200108P	Water Hose	
5	F430916	Screw	
6	F430948	Screw	
7	F606595	Mounting Plate	
8	F730455	3-Way Mixing Valve Kit	120 Volt
	F730456	3-Way Mixing Valve Kit	220 Volt
9	F200205	Hose Clamp	No. 10
10	F200128P	Water Hose	
11	F150371	Manifold	
12	F430322	Washer	
13	F430929	Screw	
14	F150321	Vacuum Breaker Hose	HC18, HC25, HC27, HC35, SC18, SC25, SC27, SC35, UC18, UC25, UC27 and UC35 models
	F150340	Vacuum Breaker Hose	HC50, SC50 and UC50 models
15	F200213	Hose Clamp	No. 40
16	N/A	Hose Clamp	No. 48
17	F603031	Vacuum Breaker Assembly	Includes items 18 and 19
	F150330	Vacuum Breaker Bottom	
18	F0150329-00	Vacuum Breaker Top	
19	F430177	Screw	
20	F430231	Nut	
21	F190301	Cap Plug	

N/A = Part no longer available

3-Way Mixing Valve - Mueller

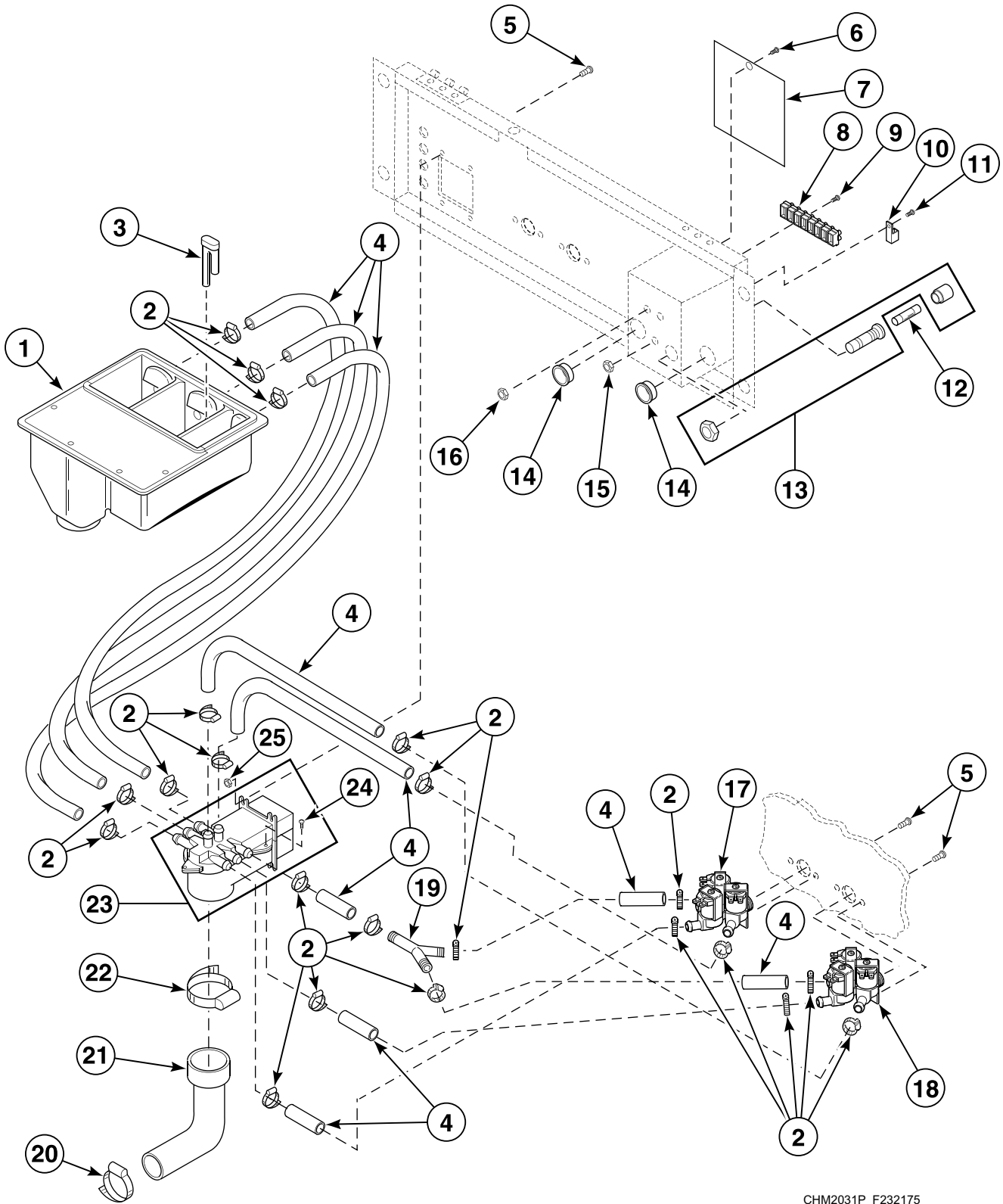


B008P_F232175

3-Way Mixing Valve - Mueller

REF	PART NO.	DESCRIPTION	COMMENTS
1	F380900	Coil	110-127 Volt
	F380917	Coil	200-240 Volt
2	F380954	Valve Repair Kit	10 mm
	F380939	Valve Repair Kit	13 mm
3	F380958	Flow Restrictor	4 mm
4	F270200	Strainer	
5	F380957	Flow Restrictor	2.8 mm
6	F730455	3-Way Mixing Valve Kit	120 Volt
	F730456	3-Way Mixing Valve Kit	220 Volt

Supply Dispenser Assembly - Elbi Valves



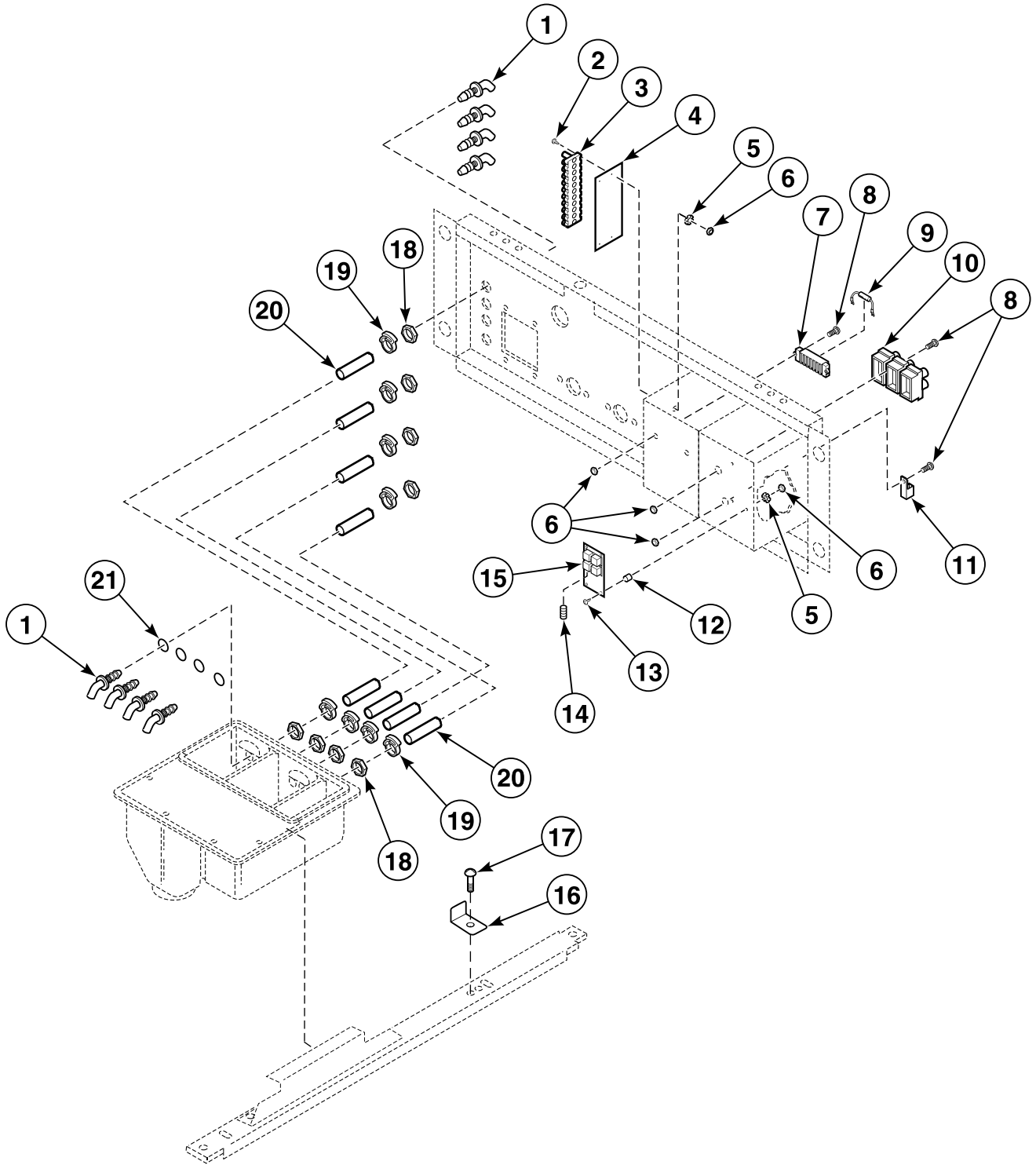
CHM2031P_F232175

Supply Dispenser Assembly - Elbi Valves

REF	PART NO.	DESCRIPTION	COMMENTS
1	F634377P	Supply Dispenser	Coin models
	F602374-2	Soap Dispenser	OPL models; 4 liquid connections
	F602374-3	Supply Dispenser	OPL models; 5 liquid connections
2	36801	Hose Clamp	No. 6
3	F150390	Siphon Tube	
4	F200108P	Water Hose	
5	F430948	Screw	
6	F430174	Screw	
7	F633260	Power Supply Cover	
8	F140766	Terminal	
9	F430916	Screw	
10	F140734	Ground Terminal Lug	
11	F430903	Screw	
12	F350115	Fuse	
13	F350304P	Fuse Holder	
14	F140909	Insulator Bushing	
15	F430232	Nut	
16	F431022	Nut	
17	F381728P	3-Way Valve	Standard thread; 120 Volt
	F381725P	3-Way Valve	Metric thread; 120 Volt
	F381730P	3-Way Valve	Metric thread; 220 Volt
18	F381720P	3-Way Valve	Standard thread; 120 Volt
	F381725P	3-Way Valve	Metric thread; 120 Volt
	F381718P	3-Way Valve	Metric thread; 220 Volt
19	F422808	Y Connector	
20	F200213	Hose Clamp	No. 40
21	F150321	Vacuum Breaker Hose	HC18, HC27, HC35, SC18, SC27, SC35, UC18, UC27 and UC35 models
	F150372	Fill Hose	HC25, SC25 and UC25 models
	F150340	Vacuum Breaker Hose	HC50, SC50 and UC50 models
22	N/A	Hose Clamp	No. 48
23	F603031	Vacuum Breaker Assembly	Includes item 24
24	F430177	Screw	
25	F430231	Nut	

N/A = Part no longer available

Automatic Supply Dispenser

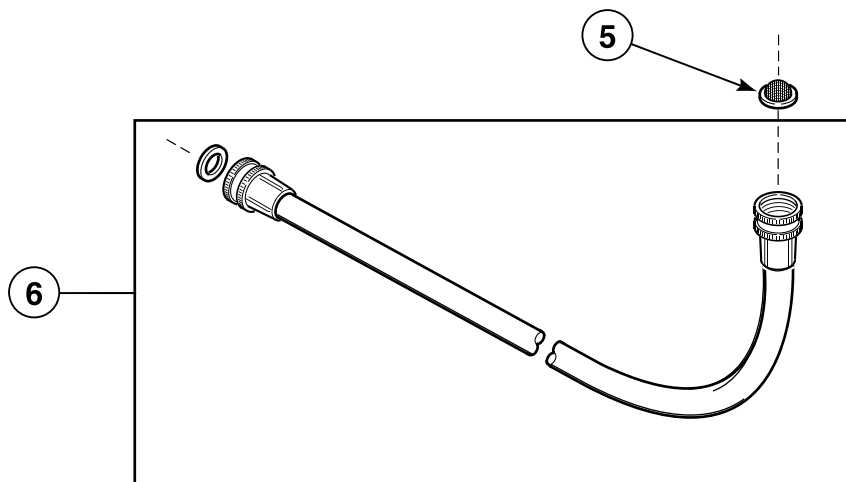
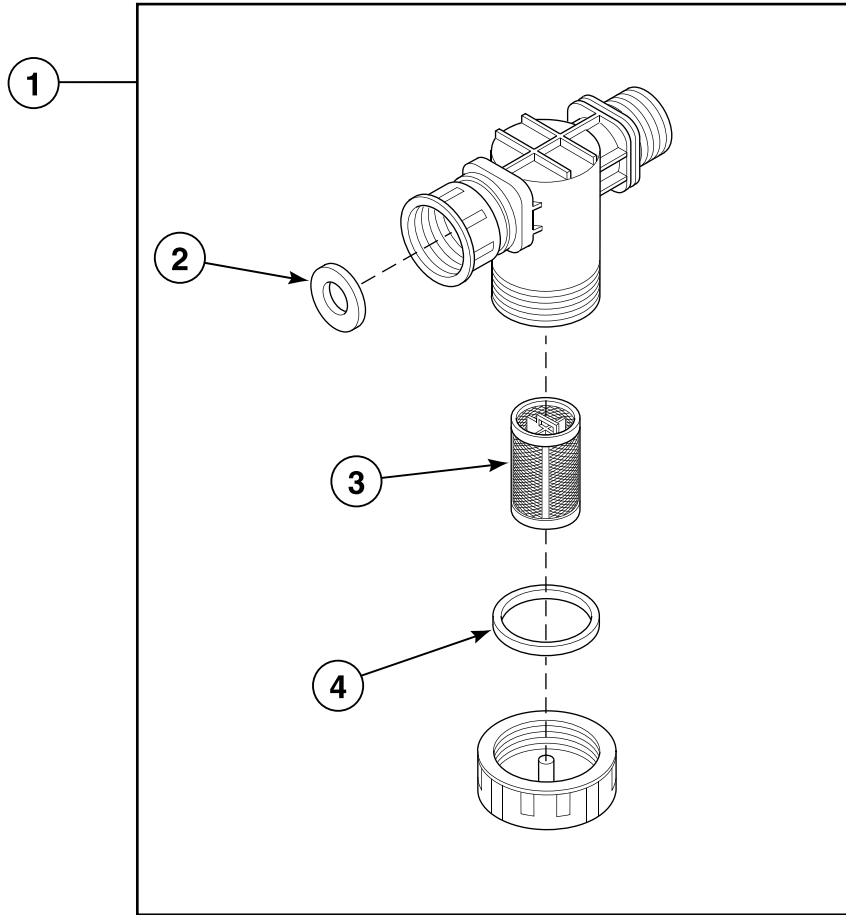


CHM2570P_F232175

Automatic Supply Dispenser

REF	PART NO.	DESCRIPTION	COMMENTS
1	F380300	Injection Nozzle	
	F730168	Injection Nozzle Kit	Includes items 17 and 20
2	F430916	Screw	
3	F140738	Terminal Strip	
4	F230764	External Supply Decal	
5	F431113	Washer	
6	F431022	Nut	
7	F140738	Terminal Strip	
8	F431701	Screw	
9	F370117	Resistor	120 Volt
	F370116	Resistor	220 Volt
10	F140748	Input Power Block	2 terminal
	F140747	Input Power Block	3 terminal
	F140746	Input Power Block	4 terminal
11	F140734	Ground Terminal Lug	
12	F431911	Spacer	
13	F430917	Screw	
14	F350115	Fuse	
15	F0350312-10	Fuse Holder	
16	F606516	Supply Hose Bracket	
17	F430174	Screw	
18	F430224	Nut	
19	F200206	Hose Clamp	No. 4
20	F200168P	Tubing	Order 1 foot
21	F170208	O-Ring	

Filter (Optional) and Supply Hose

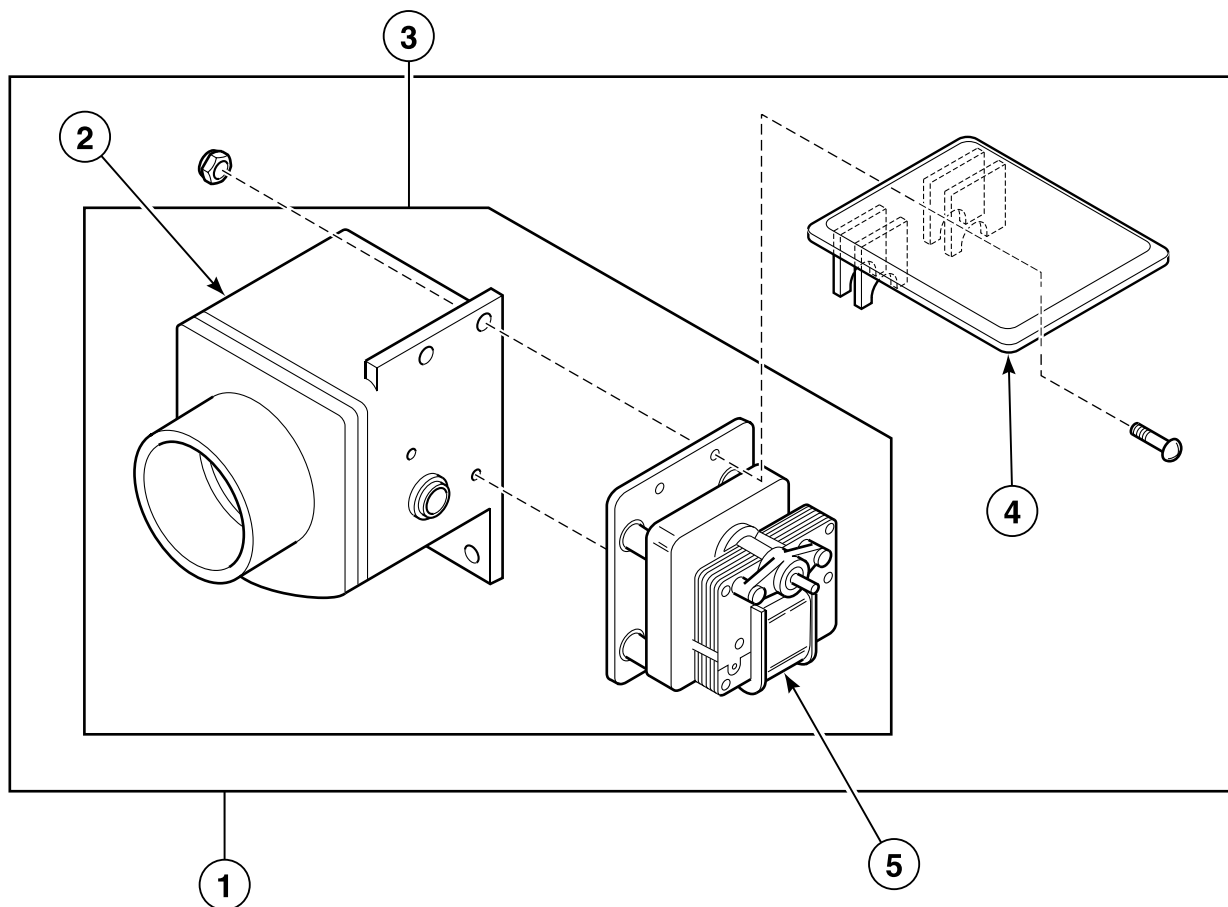


B091P_F232175

Filter (Optional) and Supply Hose

REF	PART NO.	DESCRIPTION	COMMENTS
1	F270306P	Filter	Standard thread
	F270305	Filter	Metric thread
2	20290	Washer	
3	F270406	Replacement Filter	.11 mm
	F270405	Replacement Filter	.25 mm
4	F270407	Filter Housing Cap Gasket	
5	F270300	Filter Screen	
6	F200116	Water Hose	3/8 inch; Standard thread
	F200164	Water Hose	3/4 inch; Standard thread
	F200165	Water Hose	3/8 inch; Metric thread
	F200166	Water Hose	3/4 inch; Metric thread

Drain Valve Assembly - All Models Except HC50, SC50 and UC50 Models

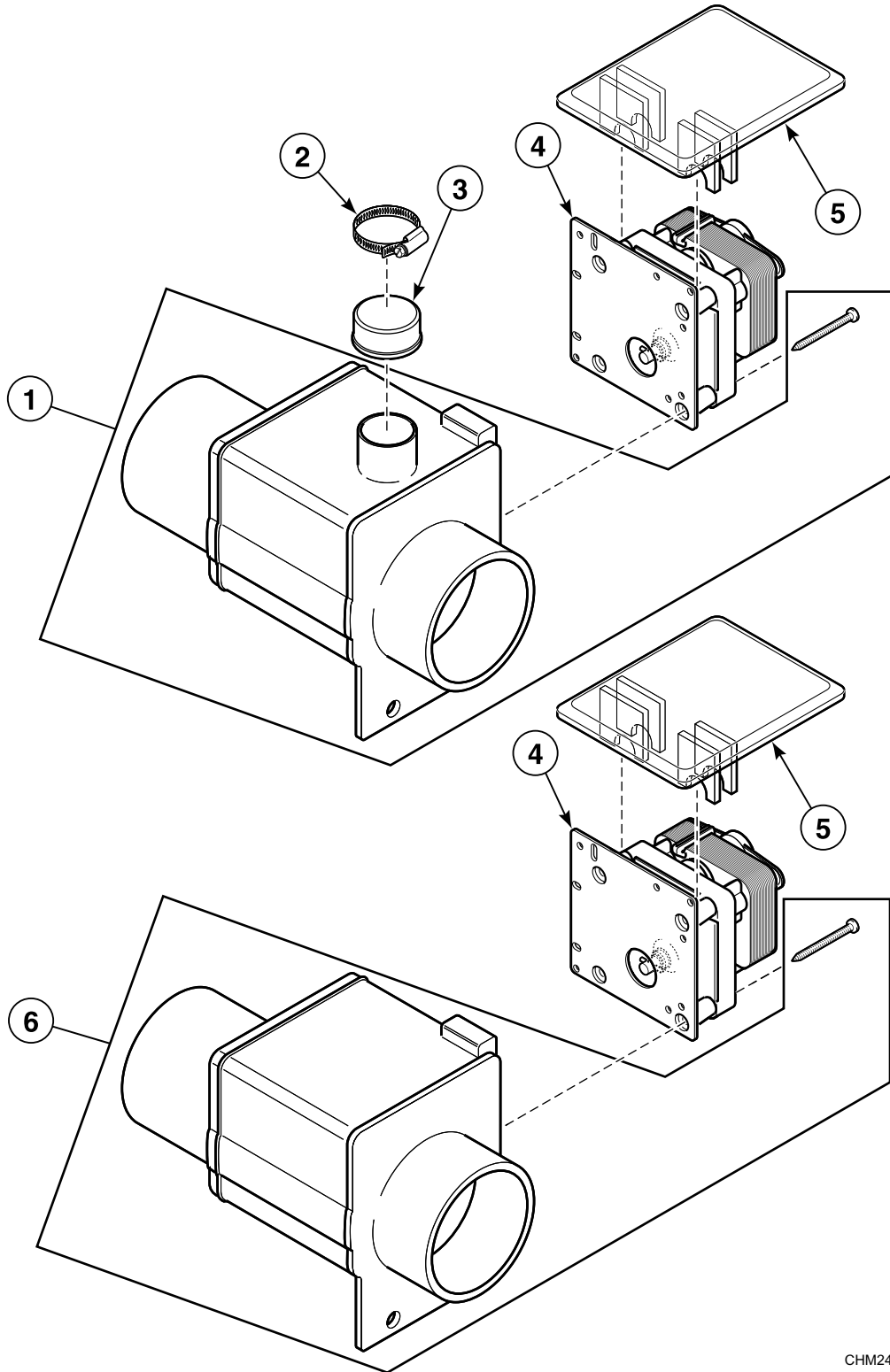


CHM2569P_F232175

Drain Valve Assembly - All Models Except HC50, SC50 and UC50 Models

REF	PART NO.	DESCRIPTION	COMMENTS
1	F602920	Drain Valve Assembly	120 Volt; Includes all items on the page
	F603175	Drain Valve Assembly	220 Volt; Includes all items on the page
2	F380920	Drain Valve Body	
3	F380618	Drain Valve	120 Volt; Includes items 2 and 5
	F380619	Drain Valve	220 Volt; Includes items 2 and 5
4	F200133600	Drain Valve Cover	
5	F380932P	Drain Valve Motor	Round shaft; 120 Volt
	F380933P	Drain Valve Motor	Round shaft; 220 Volt
	F380943P	Drain Motor	Keyed shaft; 120 Volt
	G159764P	Drain Valve Motor and Gear Box Assembly	Keyed shaft; 220 Volt
	F380972P	Drain Valve Motor	Keyed shaft; 240 Volt

Drain Valve Assembly - HC50, SC50 and UC50 Models



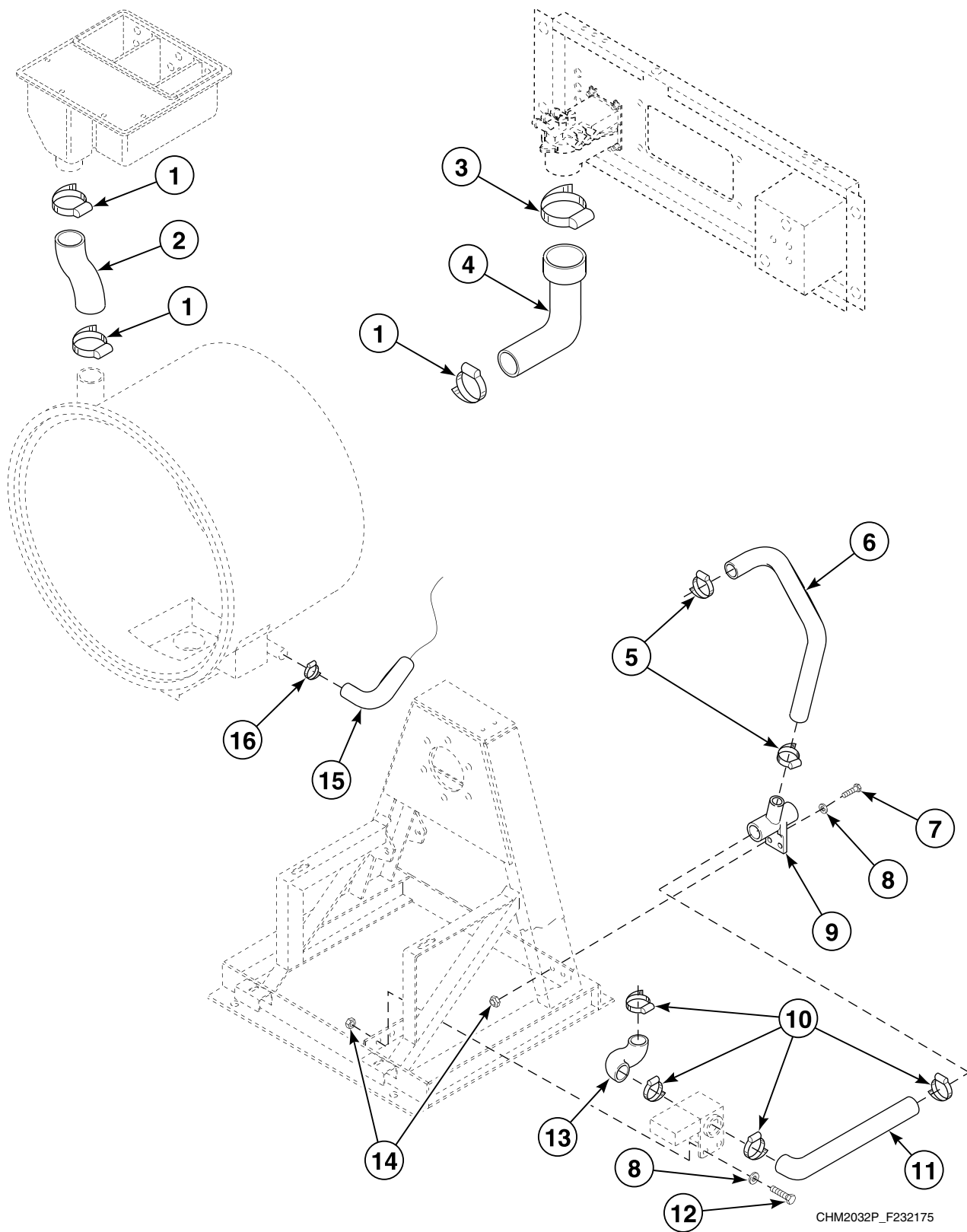
CHM2480P_F232175

Drain Valve Assembly - HC50, SC50 and UC50 Models

REF	PART NO.	DESCRIPTION	COMMENTS
	F200166300	Drain Valve Kit	120 Volt; Includes items 1, 4, 5 and screw; Models with heat option
	F200166400	Drain Valve Kit	220 Volt; Includes items 1, 4, 5 and screw; Models with heat option
	F200166302	Drain Valve Kit	120 Volt; Includes items 4-6 and screw; Standard models
	F200166402	Drain Valve Kit	220 Volt; Includes items 4-6 and screw; Standard models
1	F038062800	Drain Valve	120 Volt; Includes screw; Models with heat option
	F038062900	Drain Valve	220 Volt; Includes screw; Models with heat option
2	F200215	Hose Clamp	Models with heat option
3	F150352	Overflow Plug	Models with heat option
4	F380932P	Drain Valve Motor	Round shaft; 120 Volt
	F380933P	Drain Valve Motor	Round shaft; 220 Volt
	F380943P	Drain Motor	Keyed shaft; 120 Volt
	G159764P	Drain Valve Motor and Gear Box Assembly	Keyed shaft; 220 Volt
	F380972P	Drain Valve Motor	Keyed shaft; 240 Volt
5	F200133600	Drain Valve Cover	
6	N/A	Drain Valve	120 Volt; Includes screw; Standard models
	N/A	Drain Valve	220 Volt; Includes screw; Standard models

N/A = Part no longer available

Drain Assembly, Hoses and Air Trap - All Models Except HC27, SC27 and UC27 Models

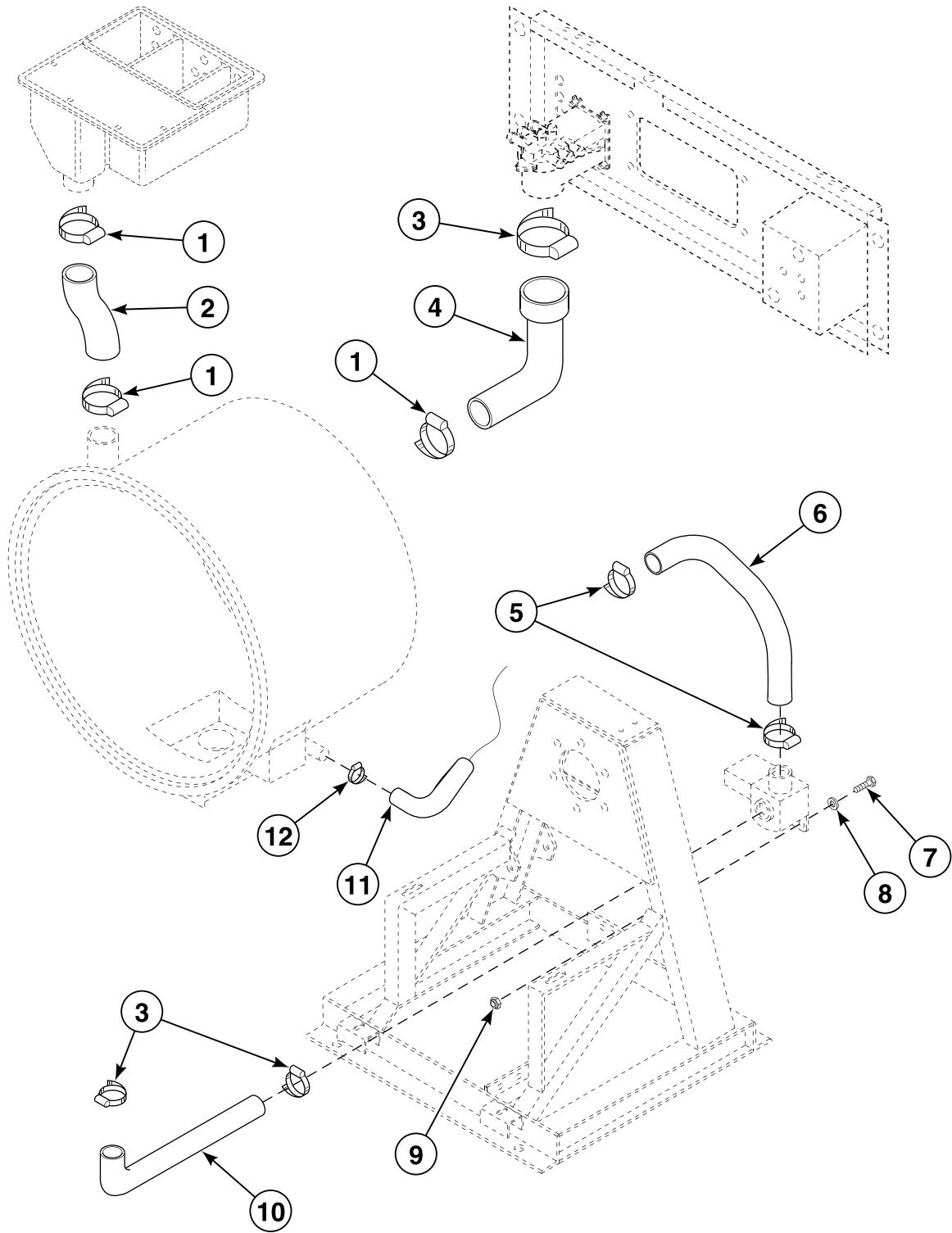


Drain Assembly, Hoses and Air Trap - All Models Except HC27, SC27 and UC27 Models

REF	PART NO.	DESCRIPTION	COMMENTS
1	F200213	Hose Clamp	No. 40
2	F150309	Soap Dispenser Hose	
3	N/A	Hose Clamp	No. 48
4	F150321	Vacuum Breaker Hose	HC18, HC35, SC18, SC35, UC18 and UC35 models
	F150372	Fill Hose	HC25, SC25 and UC25 models
	F150340	Vacuum Breaker Hose	HC50, SC50 and UC50 models
5	F200215	Hose Clamp	No. 28
6	F200125800	Overflow Hose	HC18, HC25, SC18, SC25, UC18 and UC25 models
	F150332	Overflow Hose	HC35, HC50, SC35, SC50, UC35 and UC50 models
7	F430103	Screw	
8	F430317	Washer	
9	F8017101	Drain Connector Tee	HC18, HC25, HC35, SC18, SC25, SC35, UC18, UC25 and UC35 models
	F150398	Drain Tee	HC50, SC50 and UC50 models
10	F200213	Hose Clamp	HC18, HC25, HC35, SC18, SC25, SC35, UC18, UC25 and UC35 models
	N/A	Hose Clamp	HC50, SC50 and UC50 models
11	F150311	Rear Drain Hose	HC18, SC18 and UC18 models
	F0150331-00	Drain Hose	Rear; HC25, HC35, SC25, SC35, UC25 and UC35 models
	F200123500	Drain Hose	Rear; HC50, SC50 and UC50 models
12	F430103	Screw	
13	F150312	Front Drain Hose	HC18, HC25, HC35, SC18, SC25, SC35, UC18, UC25 and UC35 models
	F200123900	Front Drain Hose	HC50, SC50 and UC50 models
14	F430215	Nut	
15	F200142	Air Trap Hose	
16	F200205	Hose Clamp	No. 10

N/A = Part no longer available

Drain Valve Assembly, Hoses and Air Trap - HC50, SC50 and UC50 Models with Heat Shell



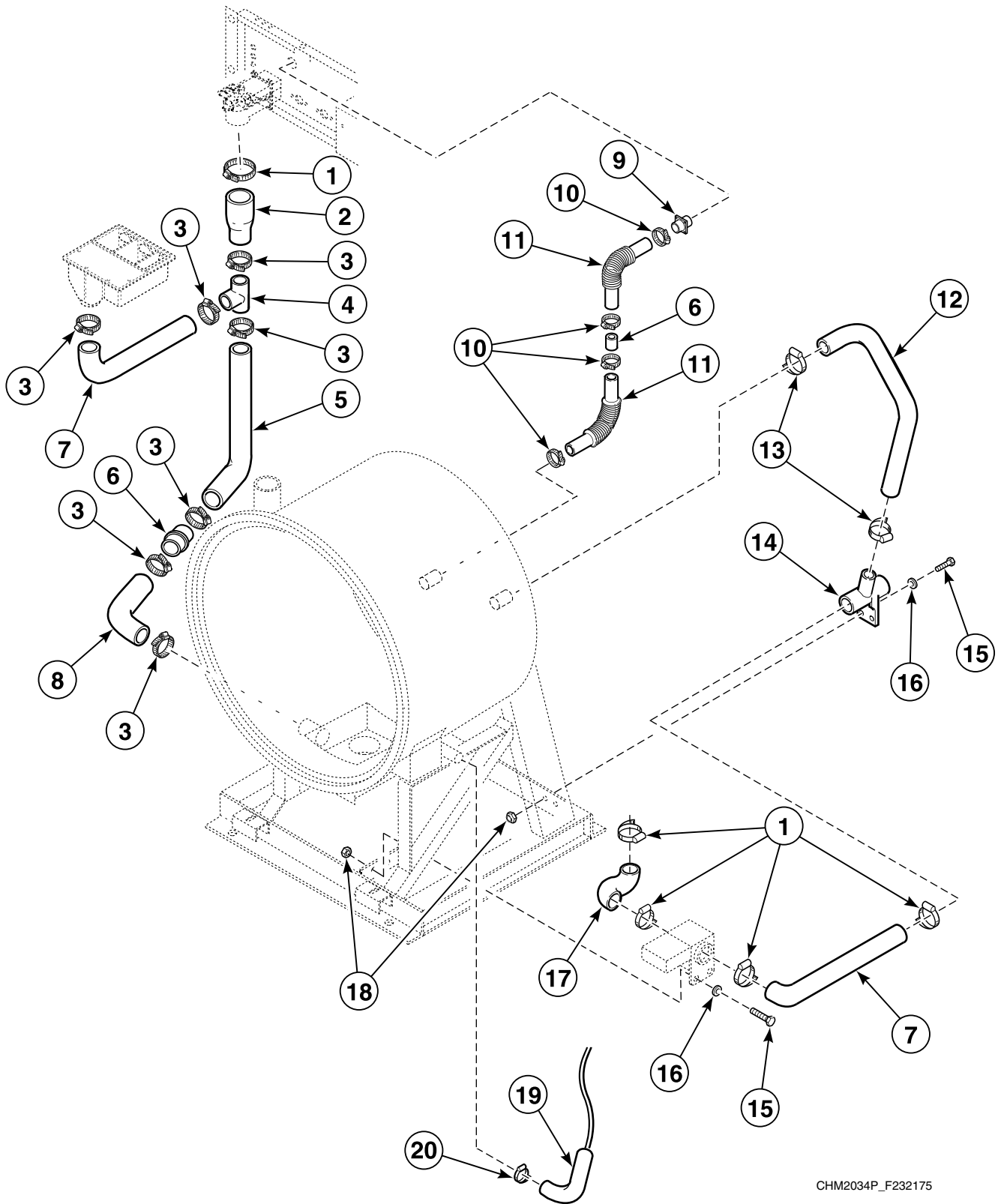
CHM2033P_F232175

Drain Valve Assembly, Hoses and Air Trap - HC50, SC50 and UC50 Models with Heat Shell

REF	PART NO.	DESCRIPTION	COMMENTS
1	F200213	Hose Clamp	No. 40
2	F150309	Soap Dispenser Hose	
3	N/A	Hose Clamp	No. 48
4	F150340	Vacuum Breaker Hose	
5	F200215	Hose Clamp	No. 28
6	F150332	Overflow Hose	
7	F430103	Screw	
8	F430317	Washer	
9	F430215	Nut	
10	F150356	Drain Hose	
11	F200142	Air Trap Hose	
12	F200205	Hose Clamp	No. 10

N/A = Part no longer available

Drain Valve Assembly, Hoses and Air Trap - HC27, SC27 and UC27 Models



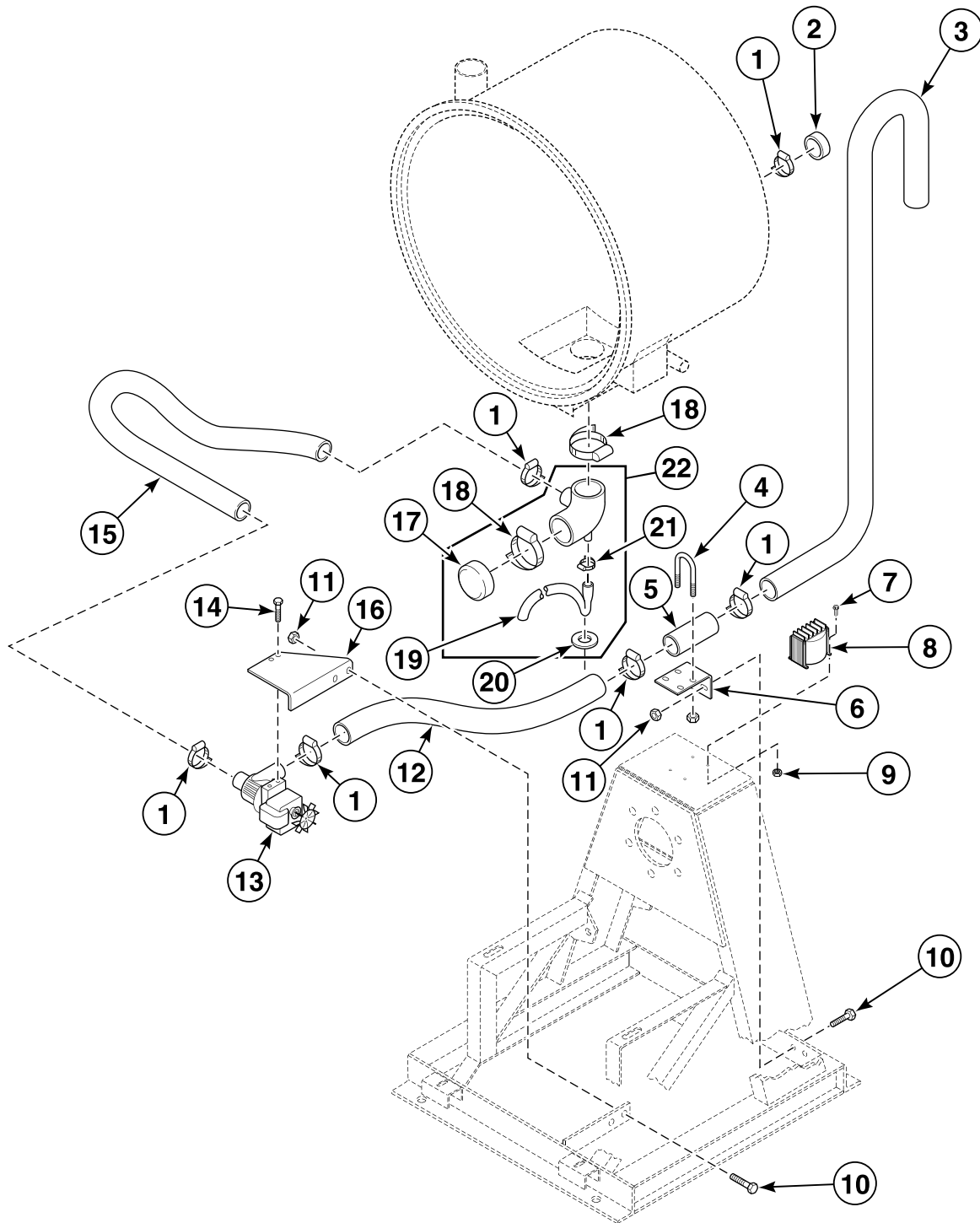
CHM2034P_F232175

Drain Valve Assembly, Hoses and Air Trap - HC27, SC27 and UC27 Models

REF	PART NO.	DESCRIPTION	COMMENTS
1	N/A	Hose Clamp	No. 48
2	F150321	Vacuum Breaker Hose	
3	F200213	Hose Clamp	No. 40
4	F422817	Tee	
5	F150308	Overflow Hose	
6	F608237	Pipe	
7	F0150331-00	Drain Hose	Rear
8	F150414	Bottom Fill Hose	
9	F422517	Vent Nipple	
10	F200204	Hose Clamp	No. 20
11	F200170	Vent Hose	
12	F150332	Overflow Hose	
13	F200215	Hose Clamp	No. 28
14	F8017101	Drain Connector Tee	
15	F430103	Screw	
16	F430317	Washer	
17	F150312	Front Drain Hose	
18	F430215	Nut	
19	F200142	Air Trap Hose	
20	F200205	Hose Clamp	No. 10

N/A = Part no longer available

Pump Drain Option - All Models Except HC27, SC27 and UC27 E-Voltage Models

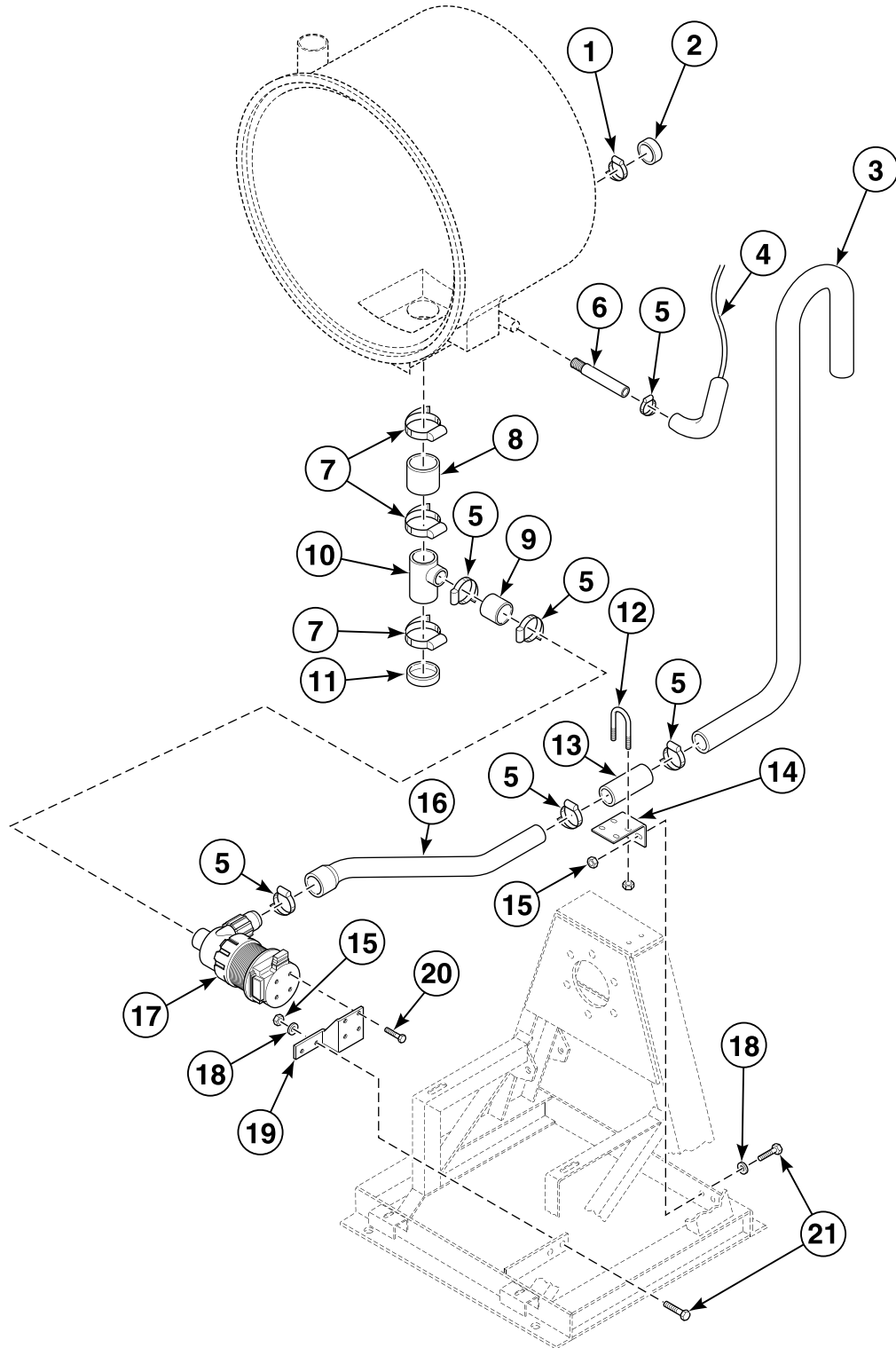


CHM2354P_F232175

Pump Drain Option - All Models Except HC27, SC27 and UC27 E-Voltage Models

REF	PART NO.	DESCRIPTION	COMMENTS
1	F200204	Hose Clamp	No. 20
2	F150352	Overflow Plug	
3	F150343	Rear Pump Drain Hose	
4	F200401P	U-Bolt Clamp	Includes nuts
5	F603827-1	Pipe	
6	F604147	Pump Drain Rear Connecting Bracket	
7	F430910	Screw	
8	F360124P	Transformer	
9	F430231	Nut	
10	F430107	Screw	
11	F430215	Nut	
12	F200115	Hose	
13	F270119P	Drain Pump	A, B, F, H, O and Y-voltage models
	F270104P	Pump	C, D and J-voltage models
14	F430519	Screw	
15	F200195	Hose	
16	F609694	Pump Drain Trap Mounting Bracket	
17	F150443	Plug	
18	F200213	Hose Clamp	No. 40
19	F606192-5	Tubing	
20	F430310	Washer	
21	F200217	Hose Clamp	
22	F630326P	Pump Drain Trap Assembly	Includes items 17-21

Pump Drain Option - HC27, SC27 and UC27 E-Voltage Models



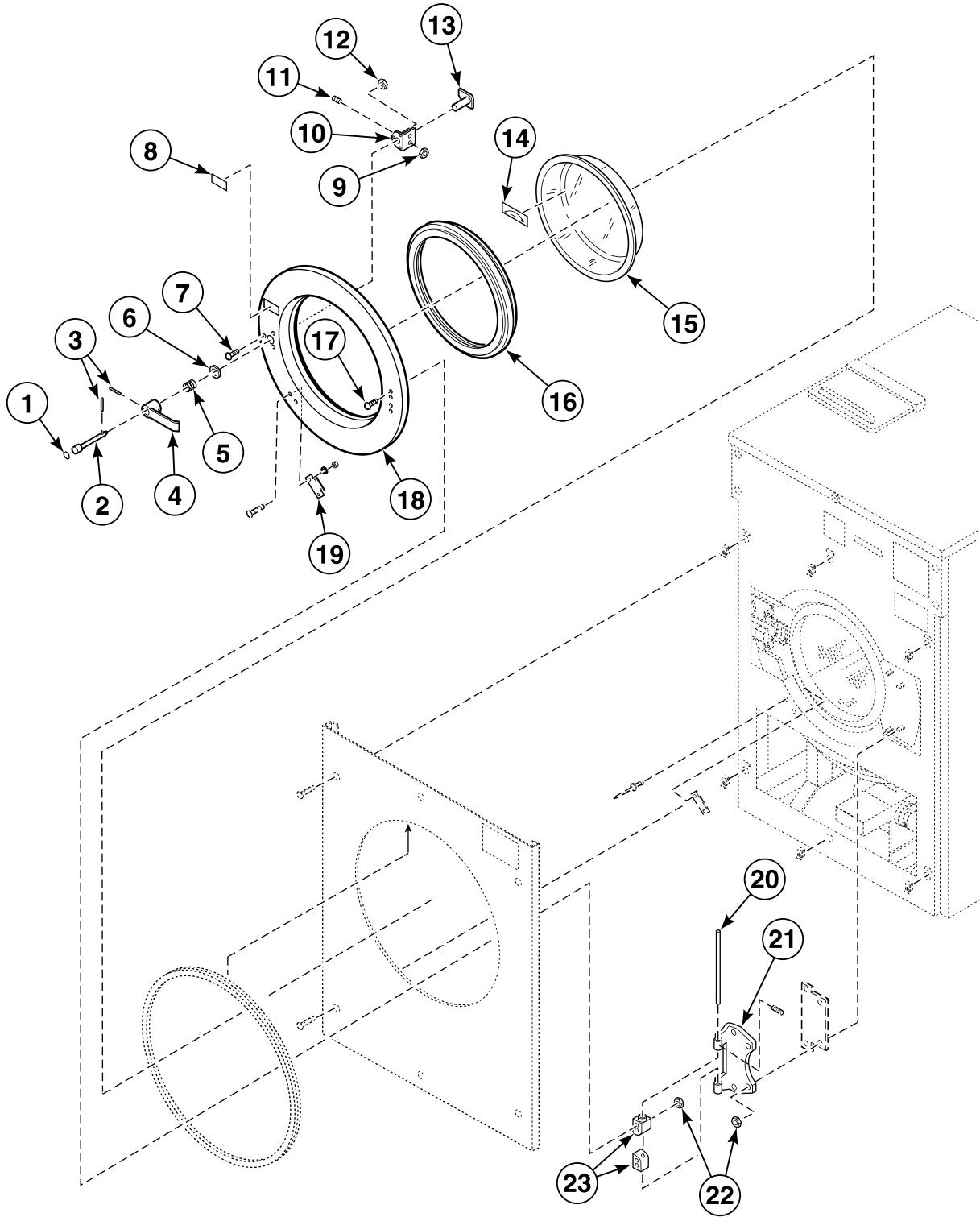
CHM2355P_F232175

Pump Drain Option - HC27, SC27 and UC27 E-Voltage Models

REF	PART NO.	DESCRIPTION	COMMENTS
1	F200215	Hose Clamp	No. 28
2	F150352	Overflow Plug	
3	F150343	Rear Pump Drain Hose	
4	F200142	Air Trap Hose	
5	F200204	Hose Clamp	No. 20
6	F634178	Air Chamber Nipple	
7	F200213	Hose Clamp	No. 40
8	F150311	Rear Drain Hose	
9	F634177	Pump Inlet Hose	
10	F633819	Pump Drain Trap Weldment	
11	F150443	Plug	
12	F200401P	U-Bolt Clamp	
13	N/A	Pipe	
14	F604147	Pump Drain Rear Connecting Bracket	
15	F430215	Nut	
16	F150482	Pump Drain Outlet Hose	
17	F634463P	Pump	
18	F430317	Washer	
19	F634114	Pump Mounting Bracket	
20	F430179	Screw	
21	F430107	Screw	

N/A = Part no longer available

Door (Drawing 1 of 2)

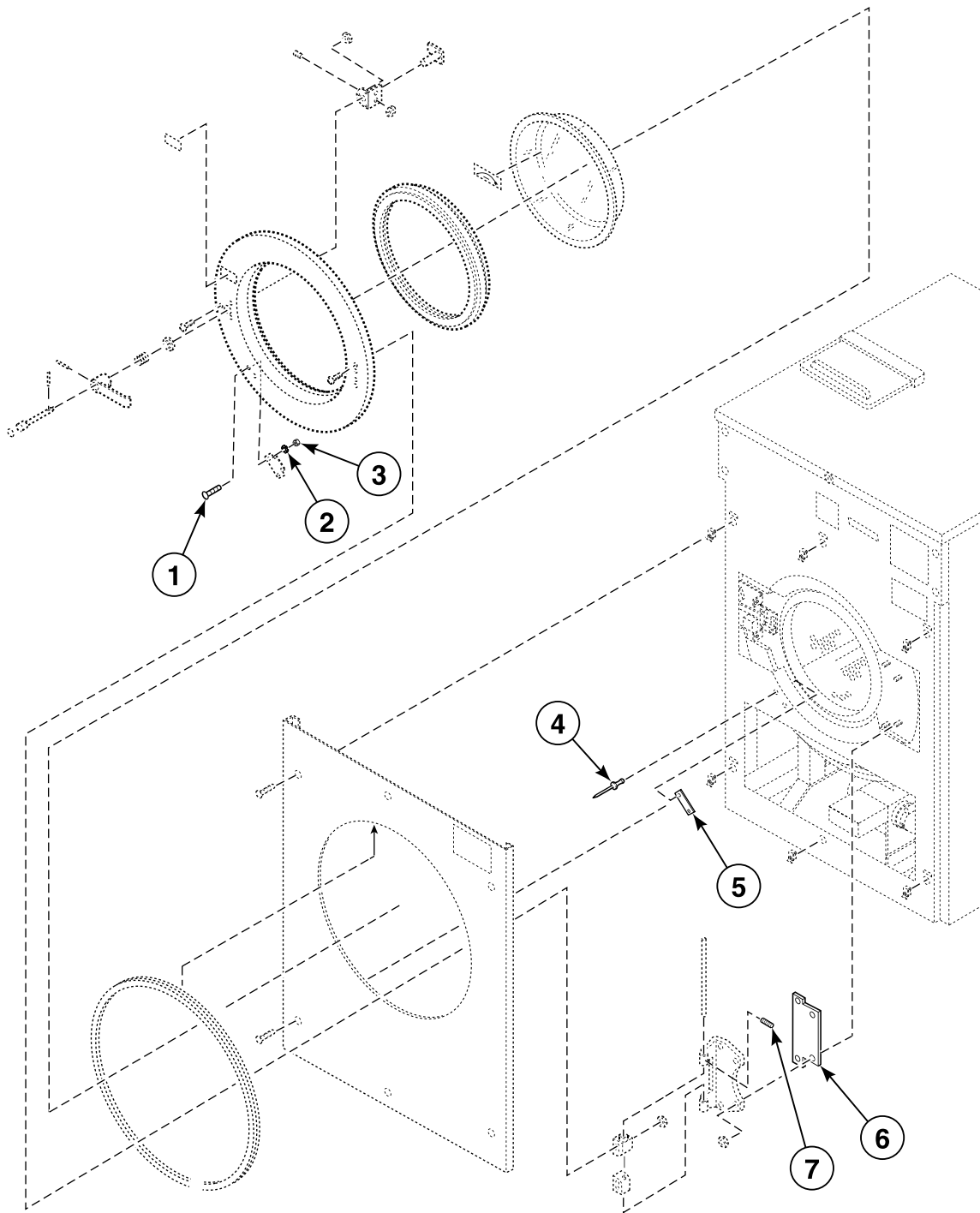


CHM2135P_F232175

Door (Drawing 1 of 2)

REF	PART NO.	DESCRIPTION	COMMENTS
1	F230662	Red Dot Decal	
2	F320300	Pushbutton Rod	
3	F431222	Spring Pin	
4	F150225	Door Handle	
5	F310125	Door Lock Spring	
6	F431916	Washer	
7	F430976	Screw	
8	F230661	Push Red Button Decal	
9	F431041	Nut	
10	F0150273-00	Door Spacer	
11	F430532	Screw	HC18, HC25, SC18, SC25, UC18 and UC25 models
	F430533	Screw	HC27, HC35, HC50, SC27, SC35, SC50, UC27, UC35 and UC50 models
12	F430232	Nut	
13	F730155	Door Handle Kit	Includes items 1-6 and 9-11
14	F230693	Counterclockwise Spin Rotation Decal	
15	F290205P	Door Glass Kit	HC18, HC25, SC18, SC25, UC18 and UC25 models
	F290207P	Door Glass Kit	HC27, HC35, SC27, SC35, UC27 and UC35 models
	F290208P	Door Glass	HC50, SC50 and UC50 models
16	F200000201	Door Gasket	HC18, HC25, SC18, SC25, UC18 and UC25 models
	F170123-1	Door Gasket	HC27, HC35, SC27, SC35, UC27 and UC35 models
	F170124-1	Door Gasket	HC50, SC50 and UC50 models
17	F430906	Screw	
18	F604079-3	Door Assembly	Includes items 1-23; HC18, HC25, SC18, SC25, UC18 and UC25 models
	F604079-1	Door Assembly	Includes items 1-23; HC18, HC25, UC18 and UC25 coin models
	F604079-2	Door Assembly	Includes items 1-18 and 20-23; HC18, HC25, SC18, SC25, UC18 and UC25 OPL models
	F603239-3	Door Assembly	Includes items 1-23; HC27, HC35, SC27, SC35, UC27 and UC35 models
	F603239-1	Door Assembly	Includes items 1-23; HC27, HC35, UC27 and UC35 coin models
	F603239-2	Door Assembly	Includes items 1-18 and 20-23; HC27, HC35, SC27, SC35, UC27 and UC35 OPL models
	F603901-6	Door Assembly	Includes items 1-23; HC50, SC50 and UC50 models
	F603901-4	Door Assembly	Includes items 1-23; HC50 and UC50 coin models
	F603901-5	Door Assembly	Includes items 1-18 and 20-23; HC50, SC50 and UC50 OPL models
19	F340703	Magnet	
20	F602813-2	Rod	
21	F190216P	Door Hinge	
22	F430215	Nut	
23	F150271	Door Mount	

Door (Drawing 2 of 2)

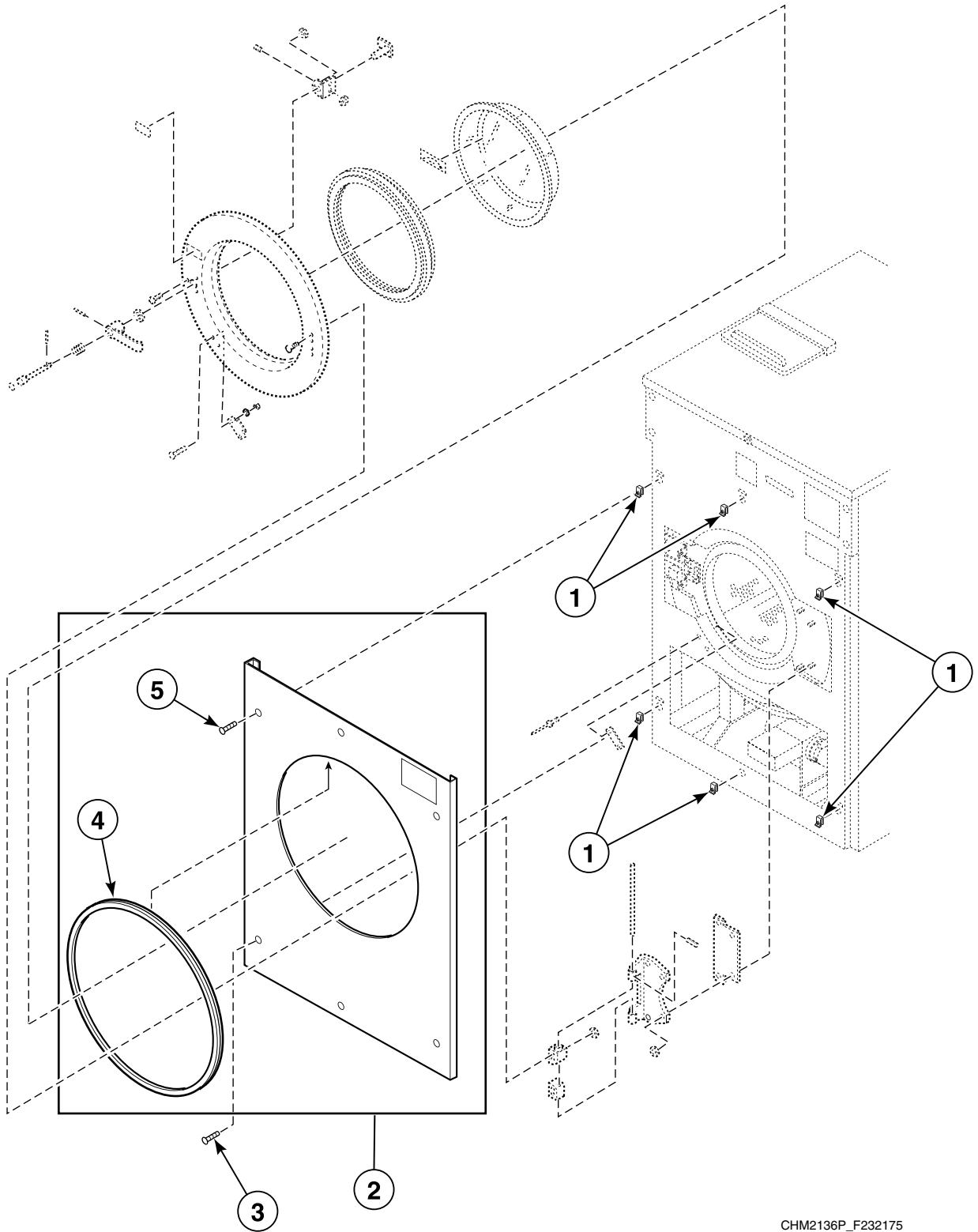


CHM2135PA_F232175

Door (Drawing 2 of 2)

REF	PART NO.	DESCRIPTION	COMMENTS
1	J1111905	Blind Rivet	
2	F431113	Washer	
3	F431022	Nut	
4	F432293	Screw	
5	F340702	Magnetic Position Switch	
6	F200131000P	Door Hinge Shim Kit	As required
7	F430536	Screw	

Outer Front Panel - 18, 25 and 27 Pound Capacity Models

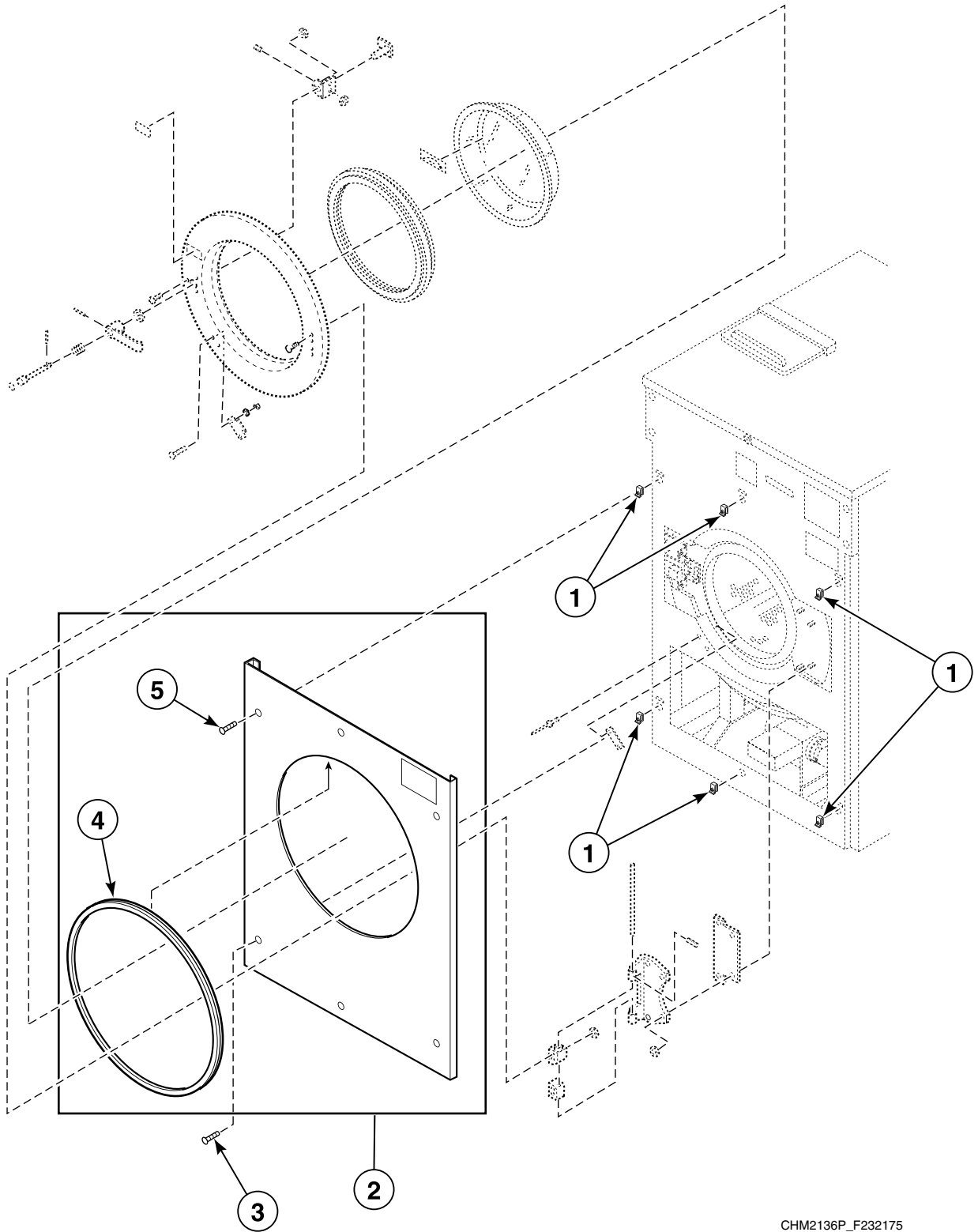


Outer Front Panel - 18, 25 and 27 Pound Capacity Models

REF	PART NO.	DESCRIPTION	COMMENTS
1	F430264	Nut	Tinnerman
2	F757440	Front Panel Kit	Designs 1-3; SS; Includes items 4 and 5; HC18, SC18 and UC18 OPL models
	F757406	Front Panel Kit	Designs 1-3; SS; Includes items 4 and 5; HC18 and UC18 coin models
	N/A	Front Panel Kit	Designs 1-3; Almond; Includes items 4 and 5; HC18, SC18 and UC18 OPL models
	N/A	Front Panel Kit	Designs 1-3; Almond; Includes items 4 and 5; HC18 and UC18 coin models
	N/A	Front Panel Kit	Designs 1-3; White; Includes items 4 and 5; HC18, SC18 and UC18 OPL models
	N/A	Front Panel Kit	Designs 1-3; White; Includes items 4 and 5; HC18 and UC18 coin models
	F757445	Front Panel Kit	Designs 1-3; SS; Includes items 4 and 5; HC25, SC25 and UC25 OPL models
	F757414	Front Panel Kit	Designs 1-3; SS; Includes items 4 and 5; HC25 and UC25 coin models
	N/A	Front Panel Kit	Designs 1-3; Almond; Includes items 4 and 5; HC25, SC25 and UC25 OPL models
	N/A	Front Panel Kit	Designs 1-3; Almond; Includes items 4 and 5; HC25 and UC25 coin models
	N/A	Front Panel Kit	Designs 1-3; White; Includes items 4 and 5; HC25, SC25 and UC25 OPL models
	N/A	Front Panel Kit	Designs 1-3; White; Includes items 4 and 5; HC25 and UC25 coin models
	F757485-01	Front Panel Kit	Designs 1-3; SS; Includes items 4 and 5; HC27, SC27 and UC27 OPL models
	N/A	Front Panel Kit	Designs 1-3; Almond; Includes items 4 and 5; HC27, SC27 and UC27 OPL models
	N/A	Front Panel Kit	Designs 1-3; White; Includes items 4 and 5; HC27, SC27 and UC27 OPL models
	F757484-01	Front Panel Kit	Designs 1-3; SS; Includes items 4 and 5; HC27 and UC27 coin models
	N/A	Front Panel Kit	Designs 1-3; White; Includes items 4 and 5; HC27 and UC27 coin models
3	F432293	Screw	
4	F015050100P	Trim	
5	F430986	Screw	

N/A = Part no longer available

Outer Front Panel - 35 and 50 Pound Capacity Models



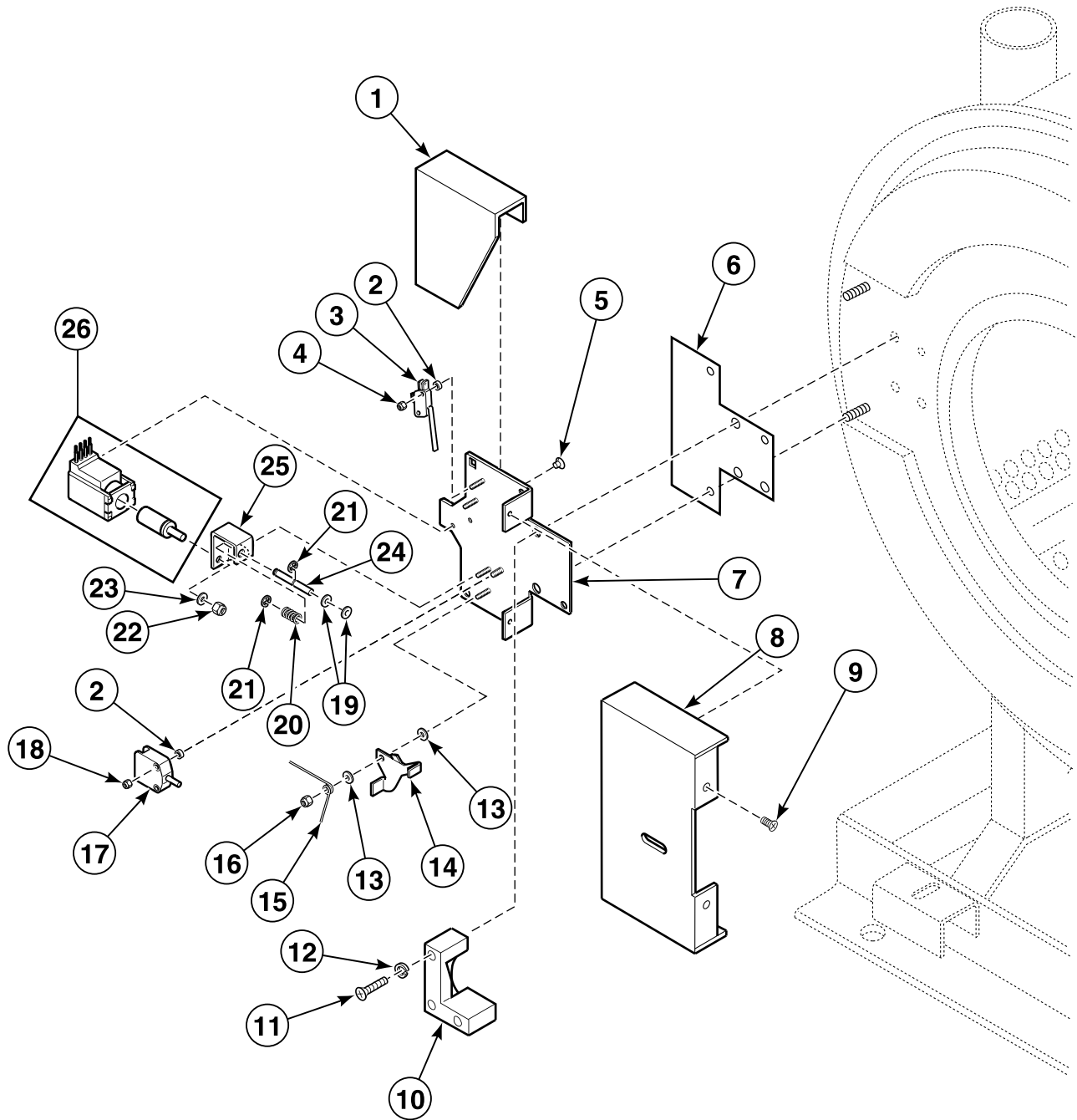
CHM2136P_F232175

Outer Front Panel - 35 and 50 Pound Capacity Models

REF	PART NO.	DESCRIPTION	COMMENTS
1	F430264	Nut	Tinnerman
2	F757450	Front Panel Kit	Designs 1-3; SS; Includes items 4 and 5; HC35, SC35 and UC35 OPL models
	F757419	Front Panel Kit	Designs 1-3; SS; Includes items 4 and 5; HC35 and UC35 coin models
	N/A	Front Panel Kit	Designs 1-3; Almond; Includes items 4 and 5; HC35, SC35 and UC35 OPL models
	N/A	Front Panel Kit	Designs 1-3; Almond; Includes items 4 and 5; HC35 and UC35 coin models
	N/A	Front Panel Kit	Designs 1-3; White; Includes items 4 and 5; HC35, SC35 and UC35 OPL models
	N/A	Front Panel Kit	Designs 1-3; White; Includes items 4 and 5; HC35 and UC35 coin models
	F757455	Front Panel Kit	Designs 1-3; SS; Includes items 4 and 5; HC50, SC50 and UC50 OPL models
	F757405	Front Panel Kit	Designs 1-3; SS; Includes items 4 and 5; HC50 and UC50 coin models
	N/A	Front Panel Kit	Designs 1-3; Almond; Includes items 4 and 5; HC50, SC50 and UC50 OPL models
	N/A	Front Panel Kit	Designs 1-3; Almond; Includes items 4 and 5; HC50 and UC50 coin models
	N/A	Front Panel Kit	Designs 1-3; White; Includes items 4 and 5; HC50, SC50 and UC50 OPL models
	N/A	Front Panel Kit	Designs 1-3; White; Includes items 4 and 5; HC50 and UC50 coin models
3	F432293	Screw	
4	F015050100P	Trim	
5	F430986	Screw	

N/A = Part no longer available

Door Lock - Coin Models

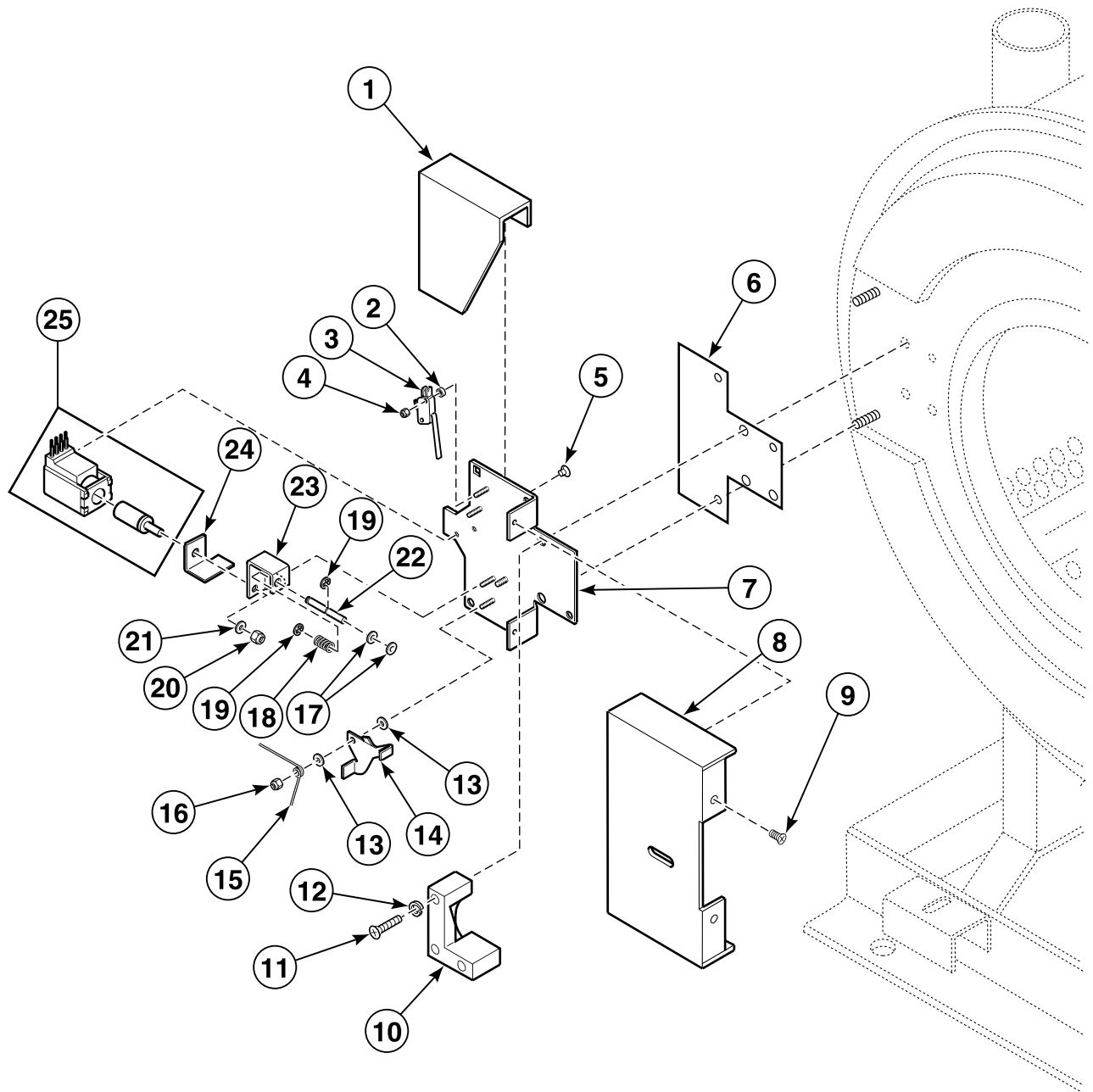


CHM1793P_F232175

Door Lock - Coin Models

REF	PART NO.	DESCRIPTION	COMMENTS
	F0636698-05P	Door Lock Assembly	Includes items 2-5, 7 and 13-25; Standard models
	F0636698-04	Door Lock Assembly	Includes items 2-5, 7 and 13-25; Models with heat
1	F320200	Door Lock Splash Shield	
2	F431901	Spacer	
3	F200203200	Door Lock Microswitch	
4	F430225	Nut	
5	F430977	Screw	
6	F603185	Door Lock Plate Shim	
7	F0636676-00	Door Lock Plate Sub-Assembly	
8	F603003	Door Lock Assembly Cover	
9	F430174	Screw	
10	F150261	Door Lock Catch Casting	
11	F430982	Screw	
12	F431100	Washer	
13	F431902	Washer	
14	F0636636-00	Door Lock Switch Lever	
15	F310110	Door Lock Torsion Spring	
16	F430232	Nut	
17	F340200	Door Switch	
18	F430231	Nut	
19	F430317	Washer	
20	F310137	Door Lock Pin Release Spring	
21	F310205	E-Ring Retainer	
22	F431017	Nut	
23	F431123	Washer	
24	F431231	Door Locking Linkage Pin	
25	F150455	Door Lock Pin Linkage	
26	F300124P	Solenoid	Includes harness

Door Lock - OPL Models

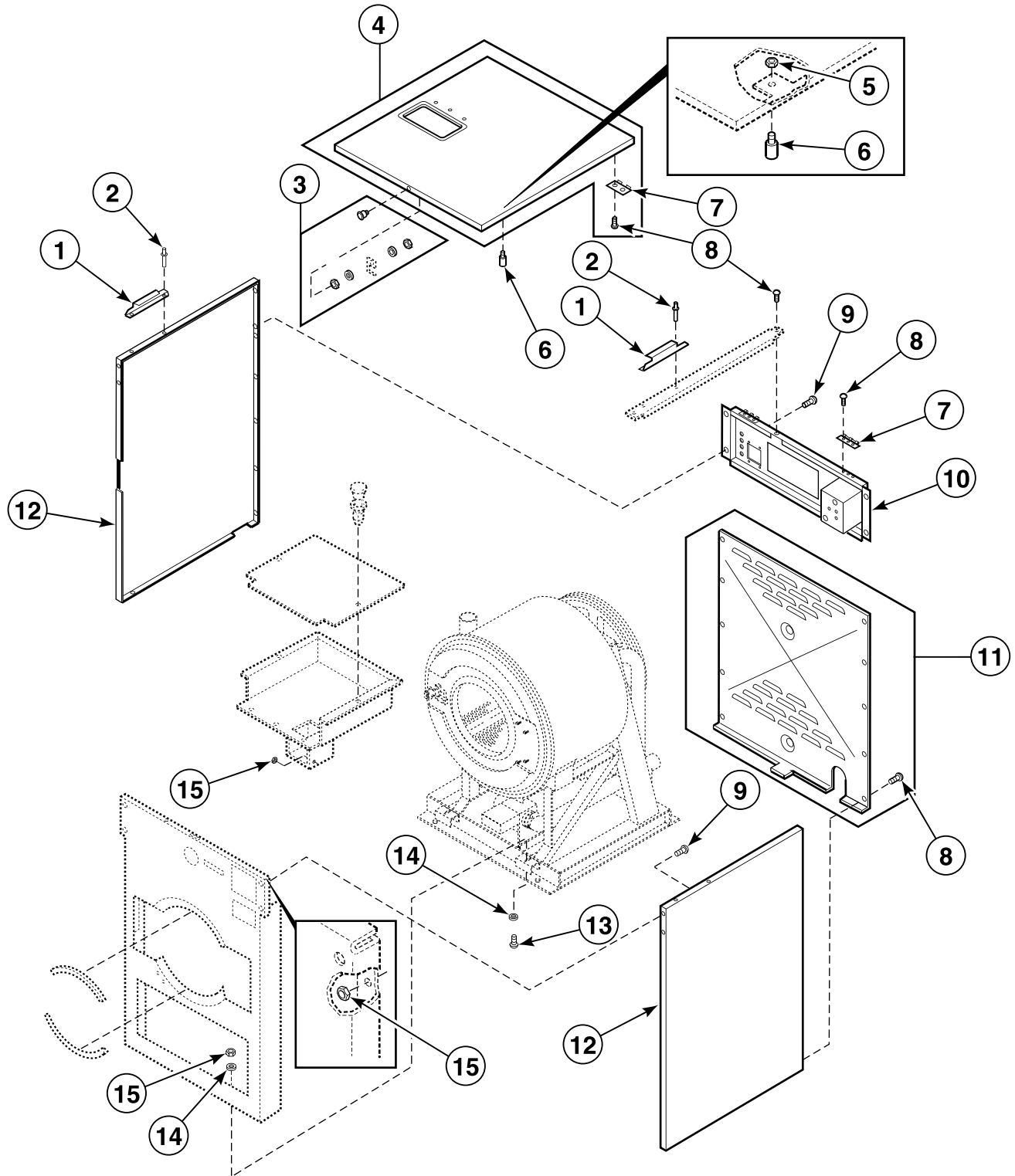


CHM2053P_F232175

Door Lock - OPL Models

REF	PART NO.	DESCRIPTION	COMMENTS
	F0798839-00	Door Lock Kit	120 Volt; Includes items 2-5 and 13-25
	F0798839-01	Door Lock Kit	220 Volt; Includes items 2-5 and 13-25
1	F320200	Door Lock Splash Shield	
2	F431901	Spacer	
3	F200203200	Door Lock Microswitch	
4	F430225	Nut	
5	F430977	Screw	
6	F603185	Door Lock Plate Shim	
7	F0636676-00	Door Lock Plate Sub-Assembly	
8	F603003	Door Lock Assembly Cover	
9	F430174	Screw	
10	F150261	Door Lock Catch Casting	
11	F430982	Screw	
12	F431100	Washer	
13	F431902	Washer	
14	F0636636-00	Door Lock Switch Lever	
15	F310110	Door Lock Torsion Spring	
16	F430232	Nut	
17	F430317	Washer	
18	F310137	Door Lock Pin Release Spring	
19	F310205	E-Ring Retainer	
20	F431017	Nut	
21	F431123	Washer	
22	F431231	Door Locking Linkage Pin	
23	F150455	Door Lock Pin Linkage	
24	F0636103-00	Door Lock Retainer Latch	
25	F300128P	Door Release Solenoid	120 Volt
	F0300131-00P	Door Lock Solenoid	220 Volt

Panels (Drawing 1 of 2)



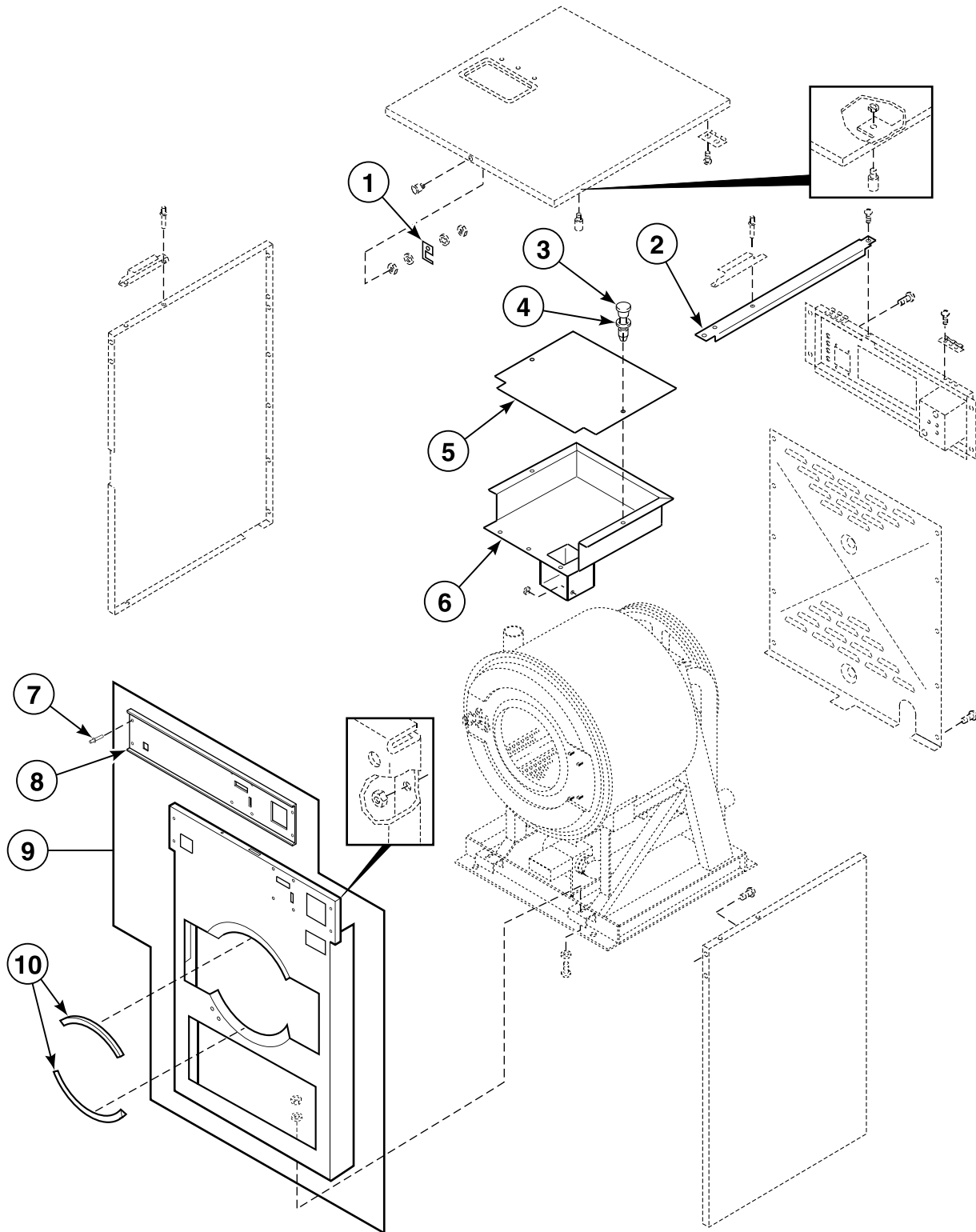
B113PE3B_F232175

Panels (Drawing 1 of 2)

REF	PART NO.	DESCRIPTION	COMMENTS
1	F602722	Mounting Bracket	
2	F431215	Pop Rivet	
3	F190802P	Lid Lock	GR3800
	F190805P	Lid Lock	RL003
	F160562	Key	GR3800
	F190805-1	Key	RL003
4	F758003P	Top Cover Kit	Includes items 7 and 8; HC18, SC18 and UC18 models
	F758002-01P	Top Cover Kit	Includes items 7 and 8; HC25, SC25 and UC25 models
	F0798926-00	Top Cover Kit	Includes items 7 and 8; HC27, SC27 and UC27 models
	F758001-01P	Top Cover Kit	Includes items 7 and 8; HC35, SC35 and UC35 models
	F758000-01	Top Cover Kit	Includes items 7 and 8; HC50, SC50 and UC50 models
5	F430231	Nut	
6	F390300	Stud	
7	F190203P	Take-Apart Hinge	
8	F430174	Screw	
9	F430925	Screw	
10	F758206	Valve Panel Kit	Includes items 9 and 15; HC18, HC25, SC18, SC25, UC18 and UC25 models
	N/A	Valve Panel Kit	Includes items 9 and 15; HC27, SC27 and UC27 models
	N/A	Valve Panel Kit	Includes items 9 and 15; HC35, SC35 and UC35 models
	F758208P	Valve Panel Kit	Includes items 9 and 15; HC50, SC50 and UC50 models
11	F757000	Rear Panel Kit	Includes item 8; HC18, SC18 and UC18 models
	F757001	Rear Panel Kit	Includes item 8; HC25, SC25 and UC25 models
	F0798927-00	Rear Panel Kit	Includes item 8; HC27, SC27 and UC27 models
	F757003	Rear Panel Kit	Includes item 8; HC35, SC35 and UC35 models
	F757002	Rear Panel Kit	Includes item 8; HC50, SC50 and UC50 models
12	F0636136-00P	Left Side Panel	HC18, SC18 and UC18 models
	F635272-1P	Left Side Panel	HC25, SC25 and UC25 models
	F635274-1P	Left Side Panel	HC27, SC27 and UC27 models
	F0635271-01	Right Side Panel	HC18, SC18 and UC18 models
	F0636594-00P	Right Side Panel	HC25, SC25 and UC25 models
	F635275-1P	Right Side Panel	HC27, SC27 and UC27 models
	F634500-1	Right Side Panel	HC35, SC35 and UC35 models
	F634396-1P	Right Side Panel	HC50, SC50 and UC50 models
13	F430108	Screw	
14	F430317	Washer	
15	F430215	Nut	

N/A = Part no longer available

Panels (Drawing 2 of 2)



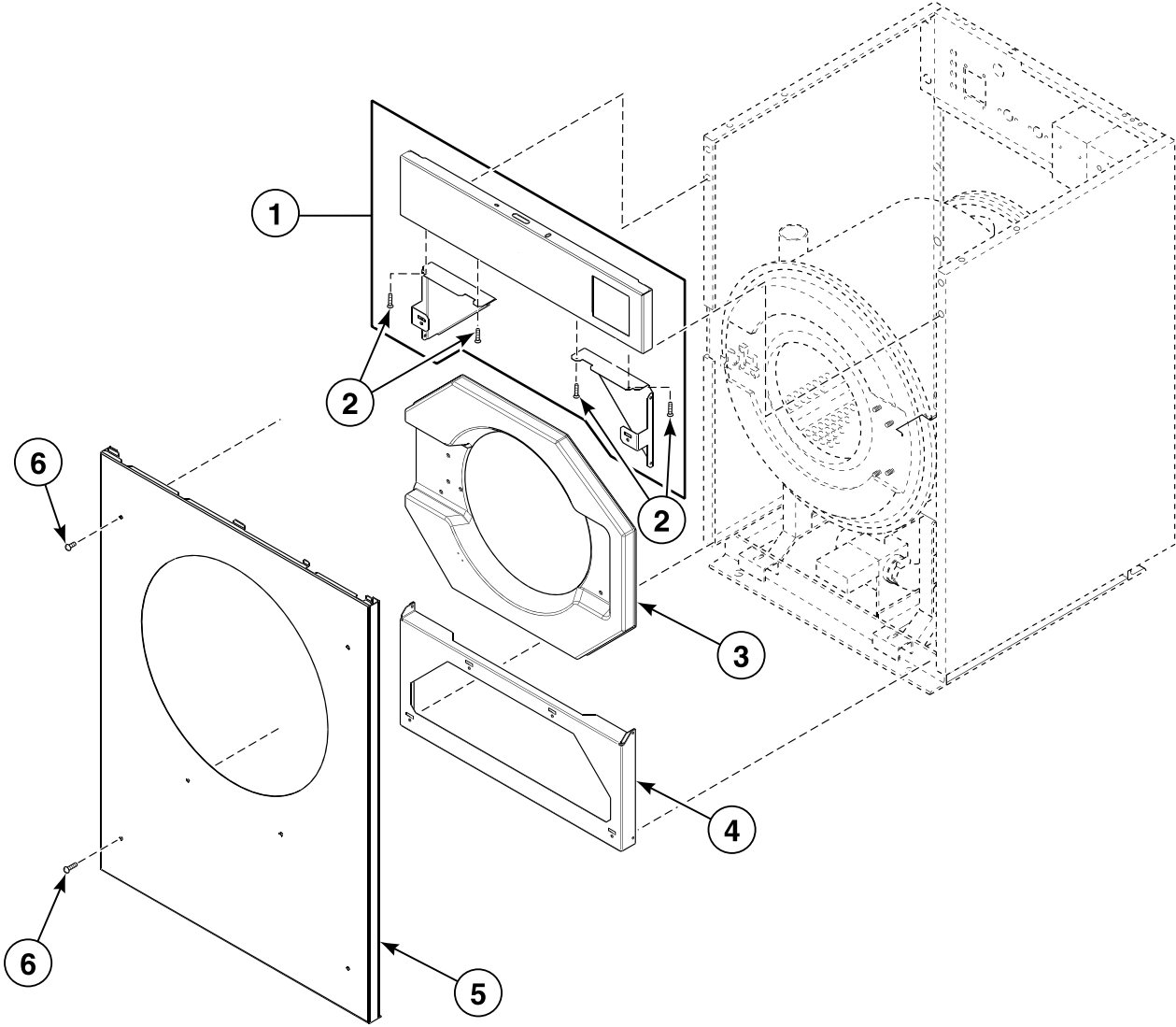
CHM2062P_F232175

Panels (Drawing 2 of 2)

REF	PART NO.	DESCRIPTION	COMMENTS
1	F602753	Top Cover Latch	
2	F602620	Top Brace	HC18, SC18 and UC18 models
	F606239	Top Brace	HC25, SC25 and UC25 models
	F631247	Top Brace	HC27, SC27 and UC27 models
	F603014	Top Brace	HC35, SC35 and UC35 models
	F603227	Top Brace	HC50, SC50 and UC50 models
3	F432005	Rivet	
4	F170607	Grommet	
5	F602961	Module Cover	
6	F602694	Electrical Box Assembly	
7	F431210	Pop Rivet	Designs 1-3
8	F150326	Extrusion Panel	Designs 1-3; HC18, HC25, SC18, SC25, UC18 and UC25 models
	F150403	Extrusion Control Panel	Designs 1-3; HC27, SC27 and UC27 models
	N/A	Extrusion Panel	Designs 1-3; HC35, SC35 and UC35 models
	F150325	Extrusion Panel	Designs 1-3; HC50, SC50 and UC50 models
9	F757206	Inner Front Panel Kit	Designs 1-3; Includes item 8; HC18, SC18 and UC18 models
	F757205	Inner Front Panel Kit	Designs 1-3; Includes item 8; HC25, SC25 and UC25 models
	F0798928-00	Inner Front Panel Kit	Designs 1-3; Includes item 8; HC27, SC27 and UC27 models
	F757202	Inner Front Panel Kit	Designs 1-3; Includes item 8; HC35, SC35 and UC35 models
	F757201	Inner Front Panel Kit	Designs 1-3; Includes item 8; HC50, SC50 and UC50 models
10	F170401P	Gasket	

N/A = Part no longer available

Inner Front Panel Kit Replacements - Design 4 OPL Models

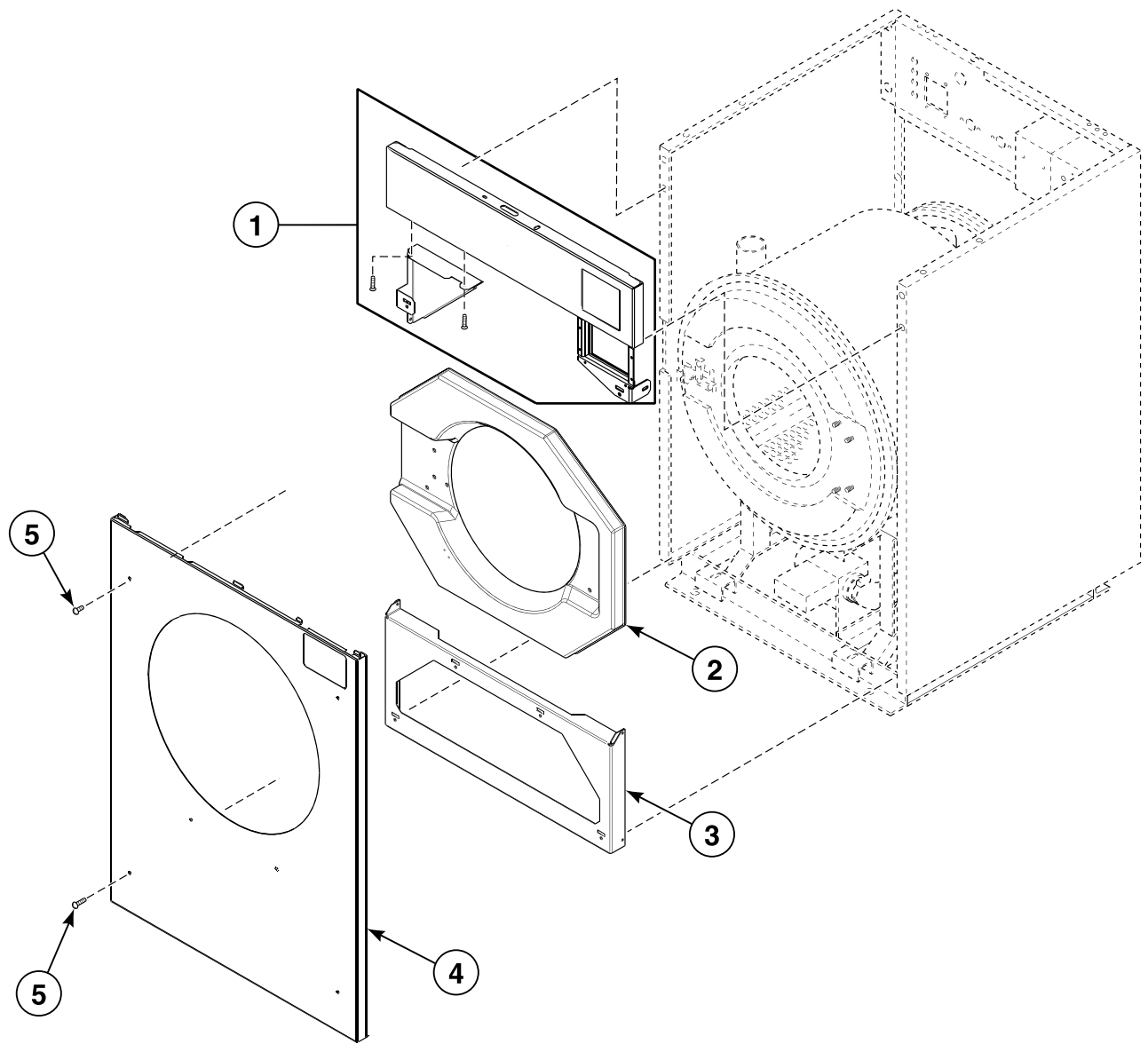


CHM2137P_F232175

Inner Front Panel Kit Replacements - Design 4 OPL Models

REF	PART NO.	DESCRIPTION	COMMENTS
1	F634808-2	Control Panel Assembly	HC18, HC25, SC18, SC25, UC18 and UC25 models
	F634824-2	Control Panel Assembly	HC27, SC27 and UC27 models
	F634827-2	Control Panel Assembly	HC35, SC35 and UC35 models
	F634830-2	Control Panel Assembly	HC50, SC50 and UC50 models
2	F430137	Screw	
3	F634668-1	Door Bezel	Black; SC18, SC25, UC18 and UC25 models
	F634668-2	Door Bezel	Pantone; HC18 and HC25 models
	F170417-1	Door Bezel	Black; SC27, SC35, UC27 and UC35 models
	F634472-2	Door Bezel	Pantone; HC27 and HC35 models
	F0170426-00	Door Bezel	Black; SC50 and UC50 models
	F0170426-10	Door Bezel	Pantone; Model HC50SN2
4	F634800	Cabinet Brace	HC18, HC25, SC18, SC25, UC18 and UC25 models
	F634801	Cabinet Brace	HC27, SC27 and UC27 models
	F634802	Cabinet Brace	HC35, SC35 and UC35 models
	F634803P	Cabinet Brace	HC50, SC50 and UC50 models
5	F634683-1P	Front Panel	Stainless steel; HC18, HC25, SC18, SC25, UC18 and UC25 models
	F634683-2	Front Panel	Almond; HC18, HC25, SC18, SC25, UC18 and UC25 models
	F634666-1P	Front Panel	Stainless steel; HC27, SC27 and UC27 models
	F634666-2	Front Panel	Almond; HC27, SC27 and UC27 models
	F634817-1	Front Panel	Stainless steel; HC35, SC35 and UC35 models
	F634817-2	Front Panel	Almond; HC35, SC35 and UC35 models
	F634765-1P	Front Panel	Stainless steel; HC50, SC50 and UC50 models
	F634765-2	Front Panel	Almond; HC50, SC50 and UC50 models
6	F430956	Screw	

Inner Front Panel Kit Replacements - Design 4 Coin Models

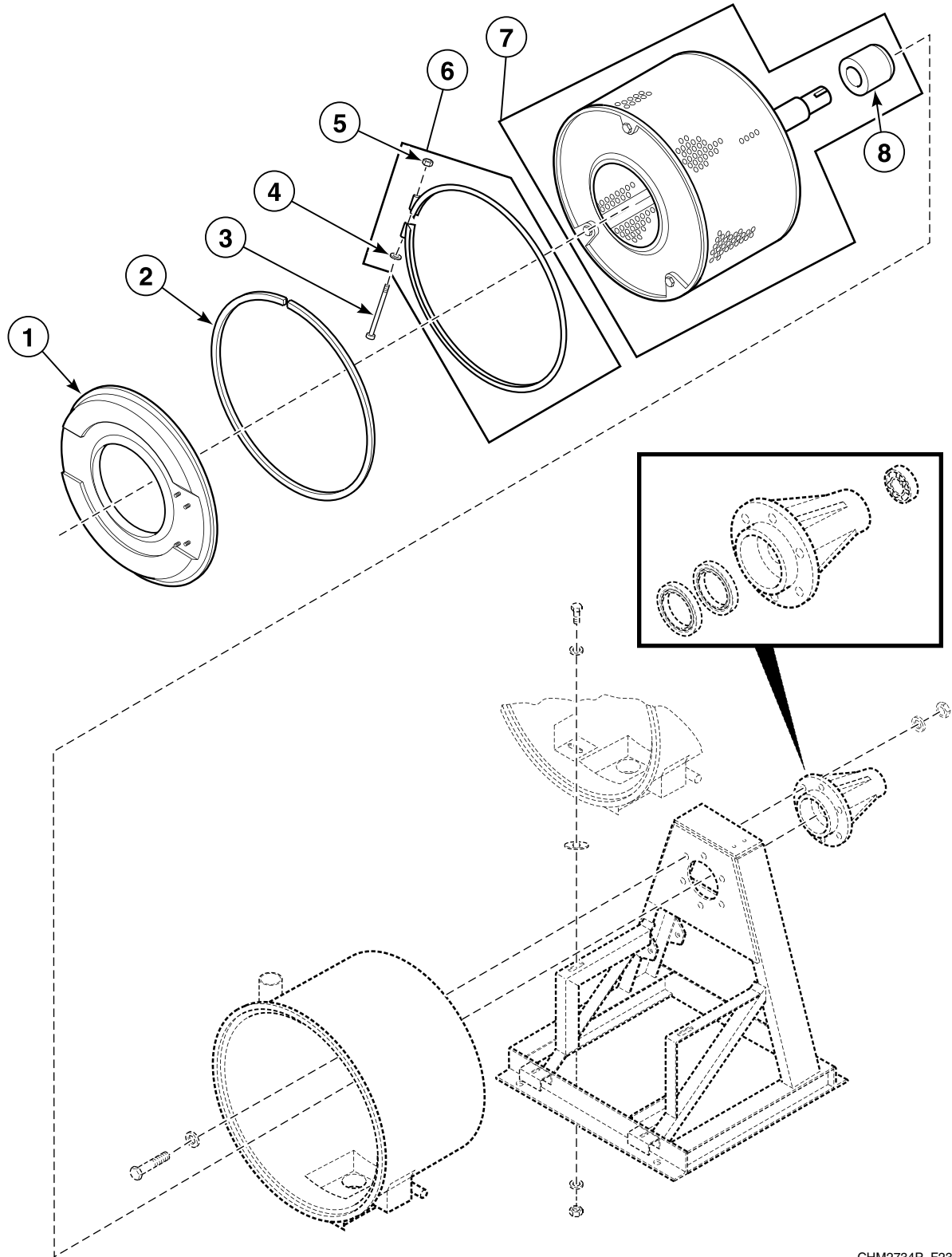


CHM2138P_F232175

Inner Front Panel Kit Replacements - Design 4 Coin Models

REF	PART NO.	DESCRIPTION	COMMENTS
1	F634808-1	Control Panel Assembly	HC18, HC25, UC18 and UC25 models
	F634824-1	Control Panel Assembly	Models HC27PC2, HC27VC2 and UC27PC2
	F634827-1	Control Panel Assembly	Models HC35PC2, HC35VC2 and UC35PC2
	F634830-1	Control Panel Assembly	Models HC50PC2, HC50VC2 and UC50PC2
2	F170416-2	Door Bezel	HC18, HC25, UC18 and UC25 models
	F170417-2	Door Bezel	HC27, HC35, UC27 and UC35 models
	F0170426-10	Door Bezel	Models HC50PC2, HC50VC2 and UC50PC2
3	F634800	Cabinet Brace	HC18, HC25, UC18 and UC25 models
	F634801	Cabinet Brace	Models HC27PC2, HC27VC2 and UC27PC2
	F634802	Cabinet Brace	Models HC35PC2, HC35VC2 and UC35PC2
	F634803P	Cabinet Brace	Models HC50PC2, HC50VC2 and UC50PC2
4	F634682-1P	Front Panel	Stainless steel; Models HC18PC2, HC18VC2 and UC18PC2
	F634682-2	Front Panel	Almond; Models HC18PC2, HC18VC2 and UC18PC2
	F634836-1P	Front Panel	Stainless steel; Models HC25PC2, HC25VC2 and UC25PC2
	F634836-2	Front Panel	Almond; Models HC25PC2, HC25VC2 and UC25PC2
	F634665-1P	Front Panel	Stainless steel; Models HC27PC2, HC27VC2 and UC27PC2
	F634665-2	Front Panel	Almond; Models HC27PC2, HC27VC2 and UC27PC2
	F634816-1P	Front Panel	Stainless steel; Models HC35PC2, HC35VC2 and UC35PC2
	F634816-2	Front Panel	Almond; Models HC35PC2, HC35VC2 and UC35PC2
	F634764-1P	Front Panel	Stainless steel; Models HC50PC2, HC50VC2 and UC50PC2
	F634764-2	Front Panel	Almond; Models HC50PC2, HC50VC2 and UC50PC2
5	F430956	Screw	

Shell Front, Basket, Outer Shell and Trunnion (Drawing 1 of 2)

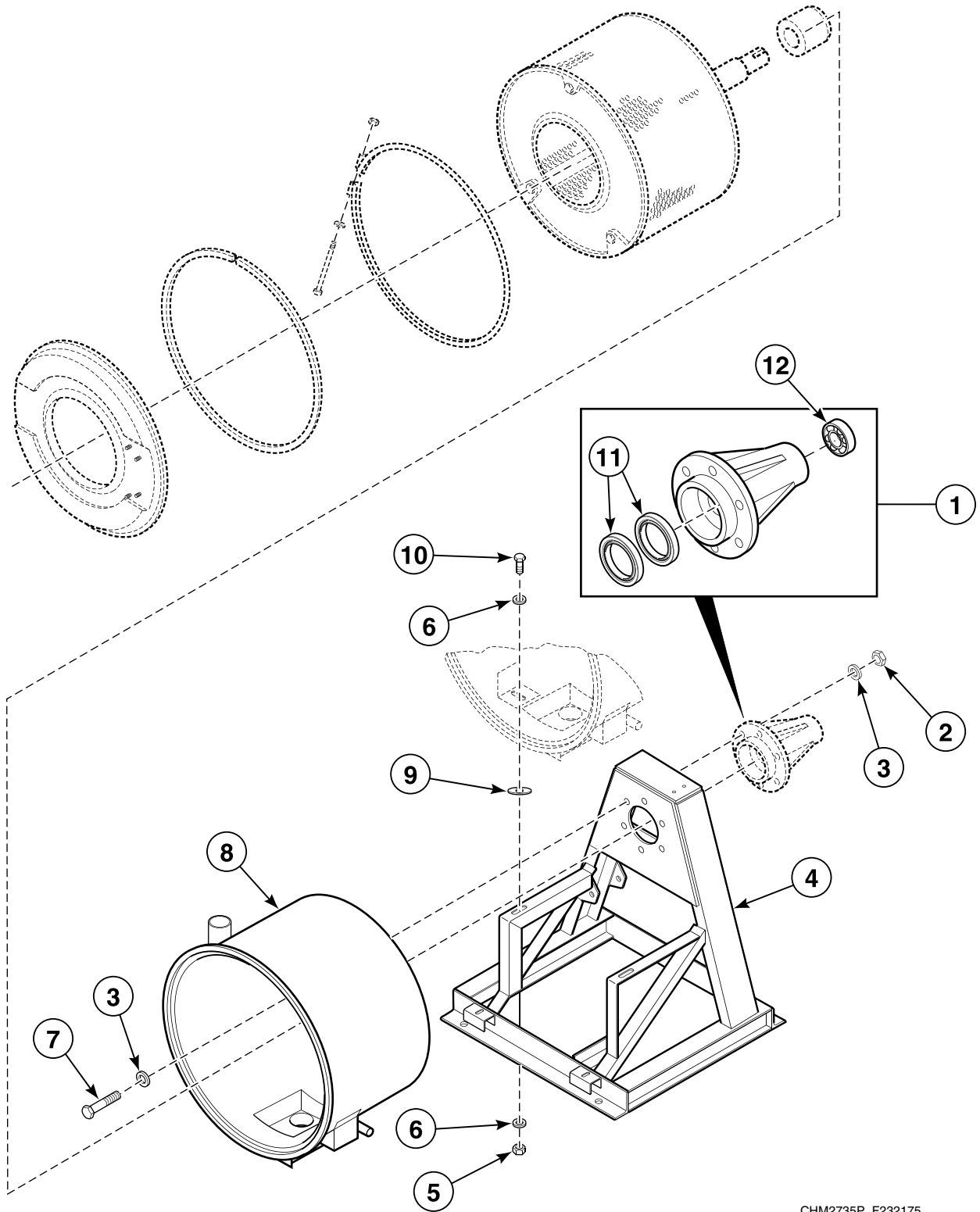


CHM2734P_F232175

Shell Front, Basket, Outer Shell and Trunnion (Drawing 1 of 2)

REF	PART NO.	DESCRIPTION	COMMENTS
1	F741300P	Shell Front Kit	Includes item 6; HC18, HC25, SC18, SC25, UC18 and UC25 models
	F632006	Shell Front Assembly	HC27, SC27 and UC27 models
	F741301-01	Shell Front Kit	Includes item 6; HC35, SC35 and UC35 models
	F741302-01	Shell Front Kit	Includes item 6; HC50, SC50 and UC50 models
2	F792000	Shell Front Gasket Kit	
3	F430518	Screw	
4	F430317	Washer	
5	F430215	Nut	
6	F741700	Shell Band Kit	Includes items 3-5; HC18, HC25, SC18, SC25, UC18 and UC25 models
	F631977	Shell Band Assembly	Includes items 3-5; HC27, SC27 and UC27 models
	F741701	Shell Band Kit	Includes items 3-5; HC35, SC35 and UC35 models
	F741702	Shell Band Kit	Includes items 3-5; HC50, SC50 and UC50 models
7	F602241-1P	Basket Assembly	Includes item 8; HC18, SC18 and UC18 models
	F606214	Basket Assembly	Includes item 8; HC25, SC25 and UC25 models
	F631927	Basket Assembly	Includes item 8; HC27, SC27 and UC27 models
	F603225-1	Basket Assembly	Includes item 8; HC35, SC35 and UC35 models
	F603900-1	Basket Assembly	Includes item 8; HC50, SC50 and UC50 models
8	F200215100	Shaft Seal Sleeve	HC18, SC18 and UC18 models
	F200215500	Shaft Seal Sleeve	HC25, SC25 and UC25 models
	F200215200	Shaft Seal Sleeve	HC27, SC27 and UC27 models
	F200215300	Shaft Seal Sleeve	HC35, SC35 and UC35 models
	F200215400	Shaft Seal Sleeve	HC50, SC50 and UC50 models

Shell Front, Basket, Outer Shell and Trunnion (Drawing 2 of 2)



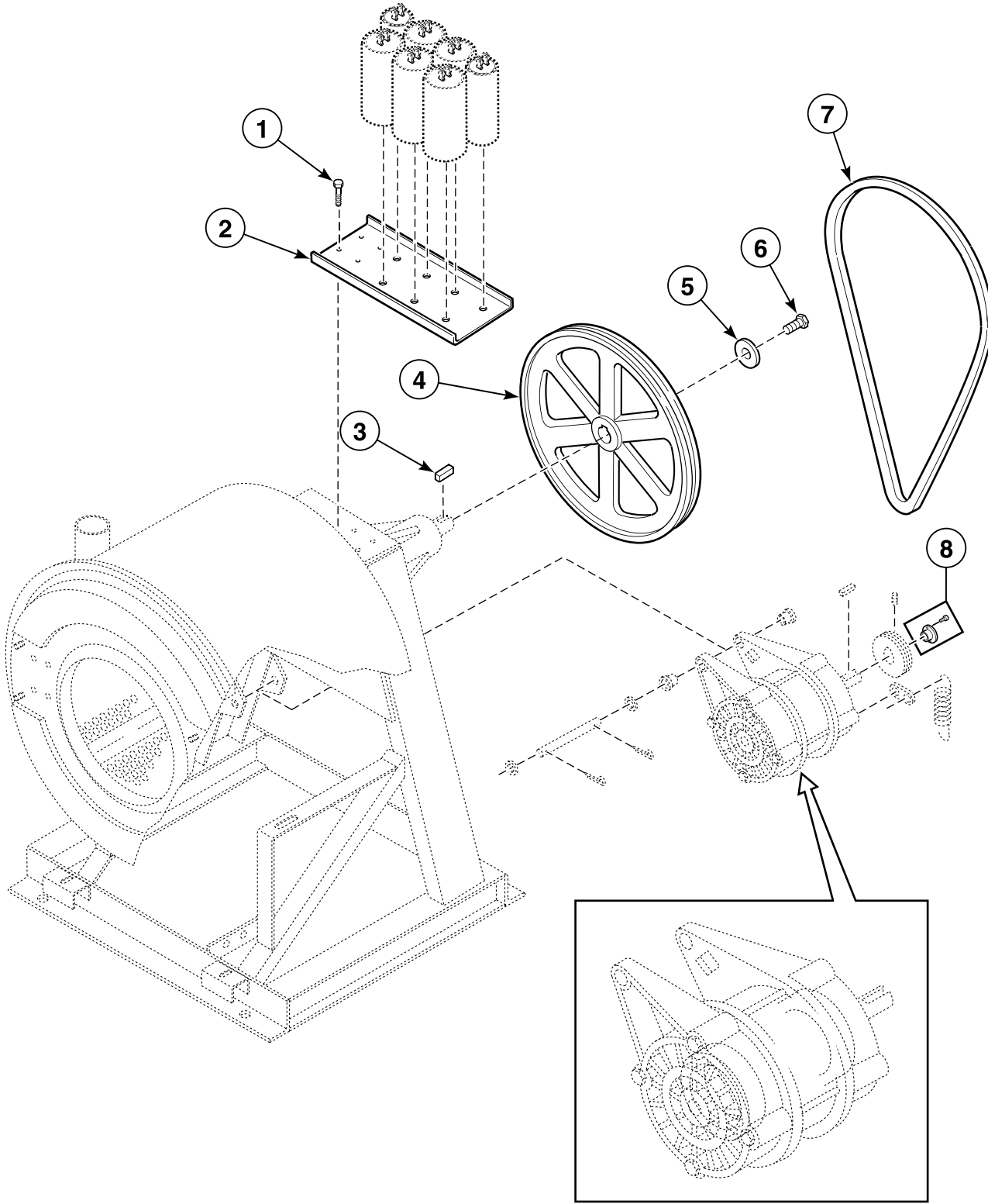
CHM2735P_F232175

Shell Front, Basket, Outer Shell and Trunnion (Drawing 2 of 2)

REF	PART NO.	DESCRIPTION	COMMENTS
1	F747000	Trunnion Kit	Includes items 2, 3, 7, 11 and 12; HC18, HC25, SC18, SC25, UC18 and UC25 models
	F747002	Trunnion Kit	Includes items 2, 3, 7, 11 and 12; HC27, HC35, SC27, SC35, UC27 and UC35 models
	F747004	Trunnion Kit	Includes items 2, 3, 7, 11 and 12; HC50, SC50 and UC50 models
2	F430239	Nut	HC18, HC25, HC27, SC18, SC25, SC27, UC18, UC25 and UC27 models
	F430240	Nut	HC35, HC50, SC35, SC50, UC35 and UC50 models
3	F431128	Washer	HC18, HC25, HC27, SC18, SC25, SC27, UC18, UC25 and UC27 models
	F431131	Washer	HC35, HC50, SC35, SC50, UC35 and UC50 models
4	F607003	Frame Assembly	HC18, SC18 and UC18 models
	F606178	Frame Assembly	HC25, SC25 and UC25 models
	F630232	Frame Assembly	HC27, SC27 and UC27 models
	F607004	Frame Assembly	HC35, SC35 and UC35 models
	F607005	Frame Assembly	HC50, SC50 and UC50 models
5	F430218	Nut	
6	F430301	Washer	
7	F430949	Screw	HC18, HC25, HC27, SC18, SC25, SC27, UC18, UC25 and UC27 models
	F430987	Screw	HC35, HC50, SC35, SC50, UC35 and UC50 models
8	F634600	Shell Weldment	HC18, SC18 and UC18 models
	F634608	Shell Weldment	HC25, HC27, SC25, SC27, UC25 and UC27 models
	F741008	Shell Kit	HC35, SC35 and UC35 models
	F634644	Shell Weldment	HC50, SC50 and UC50 models
9	F430303	Washer	HC50, SC50 and UC50 models
10	F430942	Screw	
11	F100208	Shaft Seal	HC18, SC18 and UC18 models
	F100242	Shaft Seal	HC25, SC25 and UC25 models
	F100228	Shaft Seal	HC27, HC35, SC27, SC35, UC27 and UC35 models
	F100229	Shaft Seal	HC50, SC50 and UC50 models
12	F100108	Bearing	6208 2RS C3; HC18, SC18 and UC18 models front bearing; HC27, HC35, SC27, SC35, UC27 and UC35 models rear bearing
	F100109P	Motor Bearing	6207 2RS C3; HC18, SC18 and UC18 models rear bearing
	F100136P	Bearing	6307 2RS C3; HC25, SC25 and UC25 models rear bearing
	F100137	Bearing	6308 2RS C3; HC25, SC25 and UC25 models front bearing
	F100123P	Bearing	6309 2RS C3; HC27, HC35, SC27, SC35, UC27 and UC35 models front bearing; HC50, SC50 and UC50 models rear bearing
	F100122	Bearing	6312 2RS C3; HC50, SC50 and UC50 models front bearing

Motor, Pulley and Belt Assembly (Drawing 1 of 3)

HC18, HC25, HC27, SC18, SC25, SC27, UC18, UC25 and UC27 Models



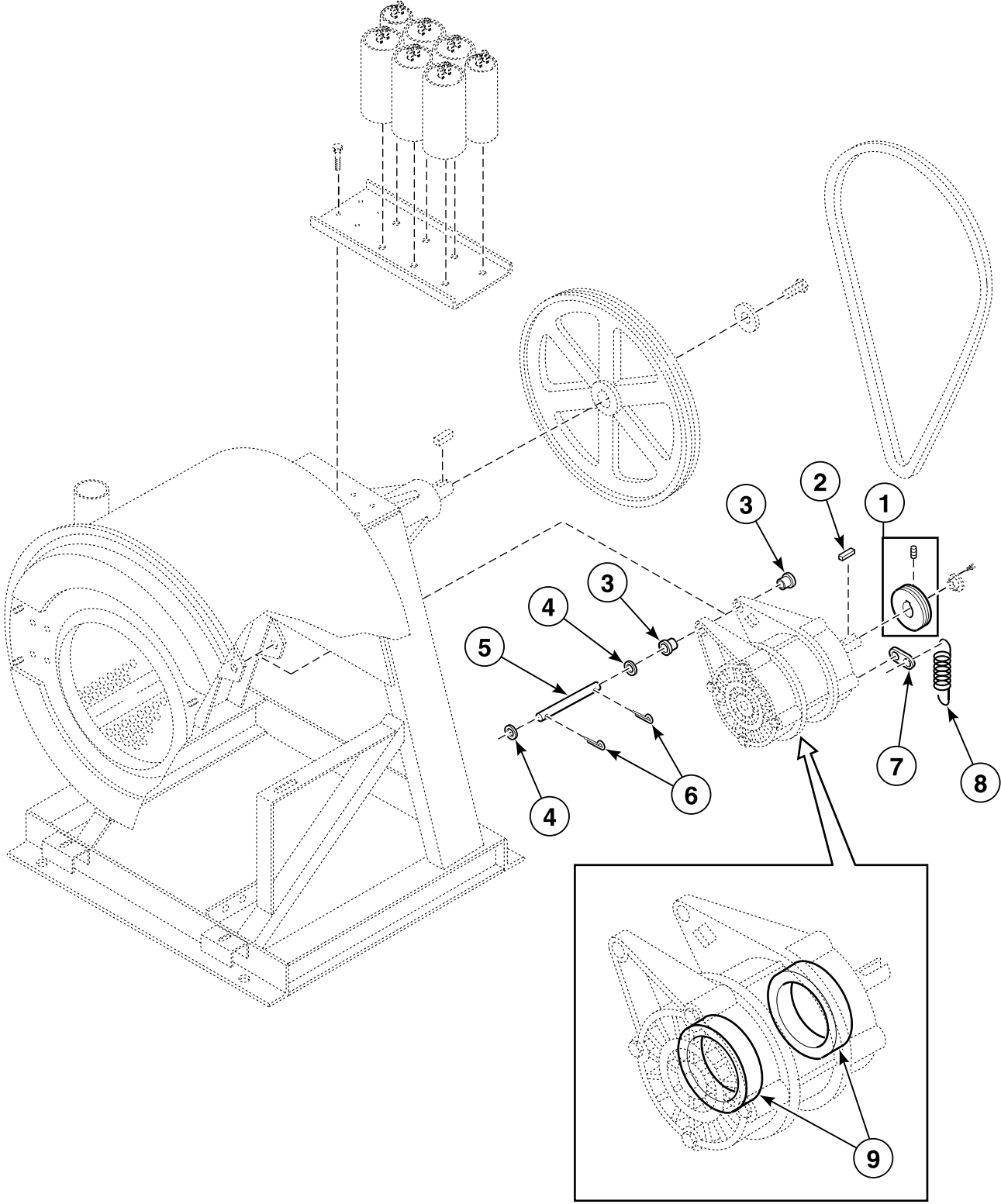
CHM2174P_F232175

Motor, Pulley and Belt Assembly (Drawing 1 of 3)

REF	PART NO.	DESCRIPTION	COMMENTS
1	F430108	Screw	
2	F602732	Capacitor Bracket	HC18, SC18 and UC18 models
	F200033500	Capacitor Mounting Bracket	HC25, HC27, SC25, SC27, UC25 and UC27 models
3	F430801	Key	
4	F280168	Pulley	HC18, HC25, SC18, SC25, UC18 and UC25 models
	F280172	Sheave Pulley	HC27, SC27 and UC27 models
5	F0431159-00	Washer	
6	F430927	Screw	
7	F280343	Belt	3V-730; HC18, SC18 and UC18 C, D, G and J-voltage models
	F0280380-00	Belt	3V-720; Replaces F280343 Belt; HC18, SC18 and UC18 E-voltage models
	F280337	Belt	3V-710; HC18, SC18 and UC18 A, B, F, H, O and Y-voltage models
	F280343	Belt	3V-730; Replaces F280337 Belt; HC18, SC18 and UC18 F and H-voltage models with heat
	F280337	Belt	3V-7; HC25, SC25 and UC25 A, C, D, F, G, H, J, K, O and Y-voltage models
	F0280380-00	Belt	3V-720; Replaces F280337 Belt; HC25, SC25 and UC25 E-voltage models
	F280321	Belt	3V-800; HC27, SC27 and UC27 models
8	F280430	Bushing	HC18, SC18 and UC18 C, D, G and J-voltage models
	F280430	Bushing	HC18, SC18 and UC18 E-voltage models through 5/24/02
	F280298P	Pulley Bushing	HC18, SC18 and UC18 E-voltage models starting 5/24/02
	F280298P	Pulley Bushing	HC18, SC18 and UC18 A, B, F, H and O-voltage models; F and H-voltage models with heat
	F280430	Bushing	HC25, SC25 and UC25 C, D, G and J-voltage models
	F280298P	Pulley Bushing	Replaces F280214 Motor Bushing; HC25, SC25 and UC25 E-voltage models
	F280298P	Pulley Bushing	HC25, SC25 and UC25 L and Y-voltage models
	F280430	Bushing	HC27, SC27 and UC27 C, D and G-voltage models
	F280430	Bushing	Replaces F280222 Bushing; HC27, SC27 and UC27 J-voltage models
	F280225P	Bushing	Replaces F280214 Motor Bushing; HC27, SC27 and UC27 E-voltage models

Motor, Pulley and Belt Assembly (Drawing 2 of 3)

HC18, HC25, HC27, SC18, SC25, SC27, UC18, UC25 and UC27 Models



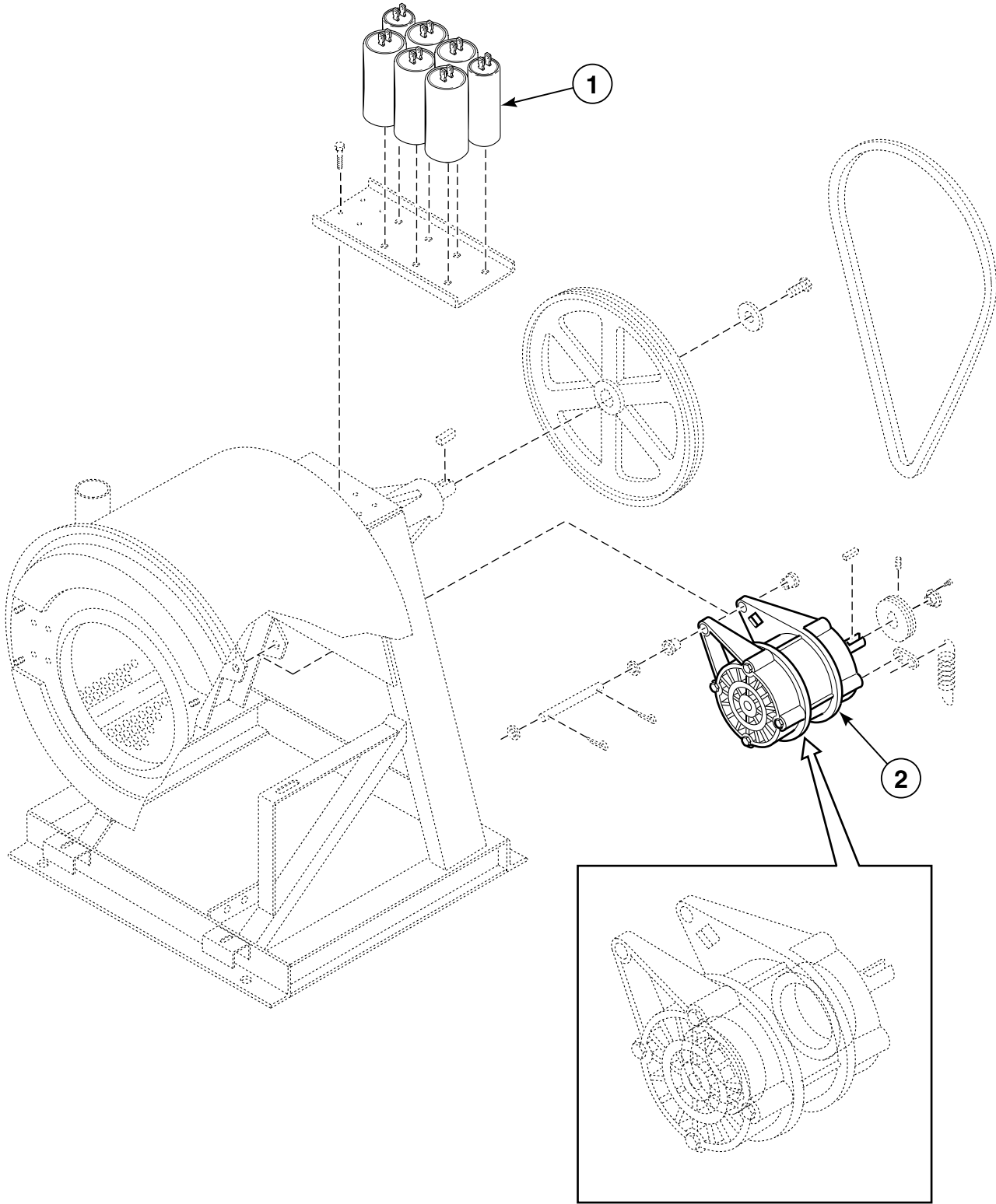
CHM2175P_F232175

Motor, Pulley and Belt Assembly (Drawing 2 of 3)

REF	PART NO.	DESCRIPTION	COMMENTS
1	F280427	Pulley	Replaces F280184 Pulley; Replacement of F280184 Pulley requires F280430 Bushing; HC18, SC18 and UC18 C, D, E, G and J-voltage models
	F280427	Pulley	Replaces F280184 Pulley; Replacement of F280184 Pulley requires F280298P Pulley Bushing; HC18, SC18 and UC18 E-voltage models
	F280170	Pulley	HC18, SC18 and UC18 A, B, F, H, O and Y-voltage models
	F280170	Pulley	HC18, SC18 and UC18 F and H-voltage models with heat
	F280427	Pulley	Replaces F280184 Pulley; Replacement of F280184 Pulley requires F280430 Bushing; F280430 Bushing is used with F280427 Pulley; HC25, SC25 and UC25 C, D, G and J-voltage models
	F280427	Pulley	Replaces F280180 Pulley; Replacement of F280180 Pulley requires F280298P Pulley Bushing; F280298P Pulley Bushing is used with F280427 Pulley; HC25, SC25 and UC25 E-voltage models
	F280170	Pulley	HC25, SC25 and UC25 A, F, H, K and O-voltage models
	F280416	Pulley	Replaces F280139 Pulley and F280298P Pulley Bushing; F280298P Pulley Bushing is used with F280416 Pulley; HC25, SC25 and UC25 L and Y-voltage models
	F280418	Pulley	Replaces F280283 Pulley; Replaces F280239 Pulley; Replacement of F280283 Pulley requires F280430 Bushing; F280430 Bushing is used with F280418 Pulley; HC27, SC27 and UC27 C, D and G-voltage models
	F280423	Pulley	Replaces F280279 Pulley; Replacement of F280279 Pulley requires F280225P Bushing; F280225P Bushing is used with F280423 Pulley; HC27, SC27 and UC27 E-voltage models
	F280284	Pulley	HC27, SC27 and UC27 A, F, H, K and O-voltage models
	F280281	Motor Pulley	Replaces F280198 Pulley; HC27, SC27 and UC27 L and Y-voltage models
2	F430802	Key	
3	F200186100	Motor Support Bushing	
4	F430325	Washer	
5	F602844	Motor Support Rod	
6	F430401	Cotter Pin	
7	F601515	Clip	Elmo only
8	F310124	Extension Spring	
9	M400592	Ball Bearing	

Motor, Pulley and Belt Assembly (Drawing 3 of 3)

HC18, HC25, HC27, SC18, SC25, SC27, UC18, UC25 and UC27 Models



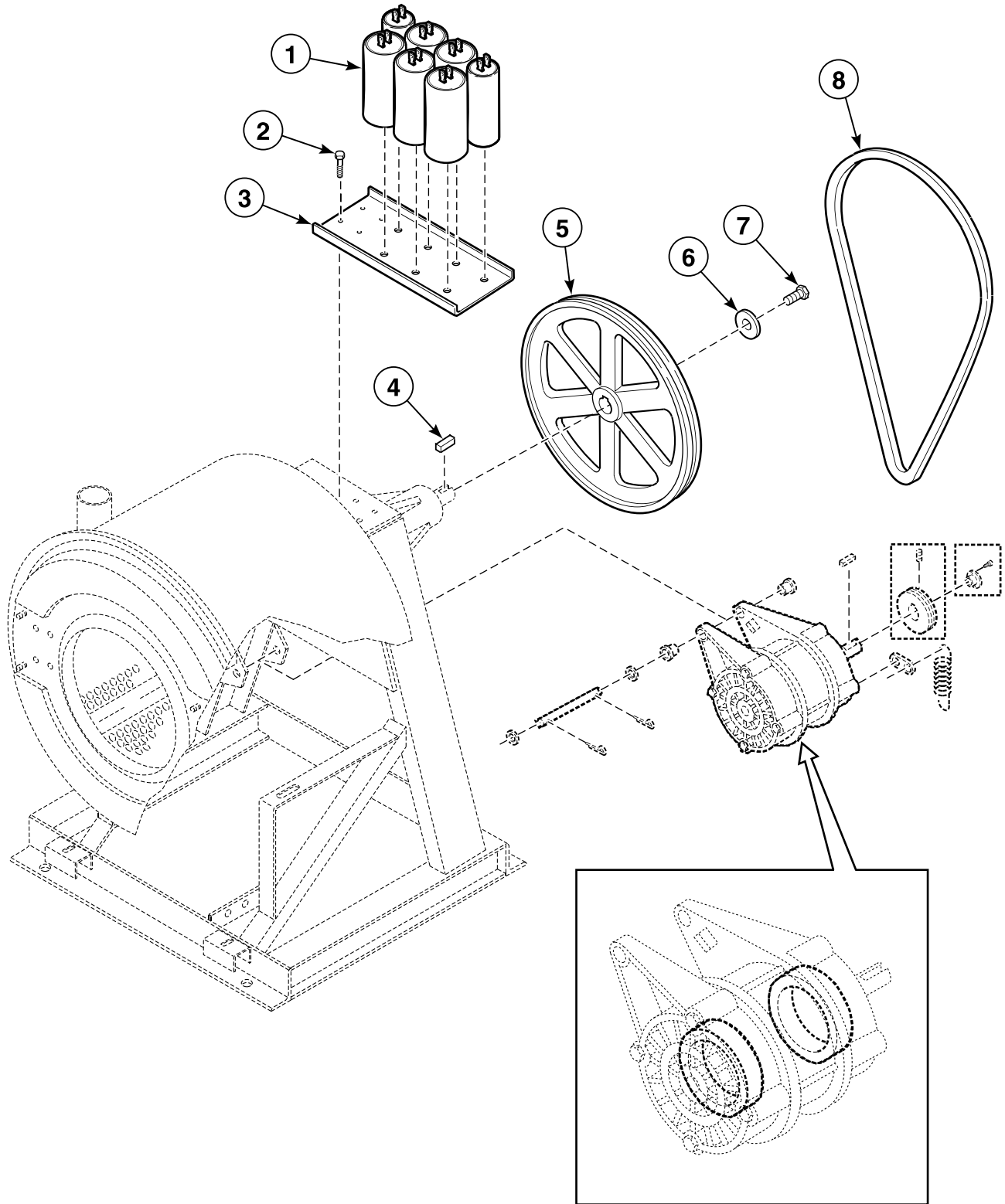
CHM2176P_F232175

Motor, Pulley and Belt Assembly (Drawing 3 of 3)

REF	PART NO.	DESCRIPTION	COMMENTS
1	F370230	Capacitor	10 Microfarad; HC18, SC18 and UC18 E-voltage models with Century motors - use 1; HC25, HC27, SC25, SC27, UC25 and UC27 E-voltage models with Elmo motors - use 2
	F370224P	Capacitor	20 Microfarad; HC25, HC27, SC25, SC27, UC25 and UC27 Y-voltage models with Elmo motors - use 3; HC25, HC27, SC25, SC27, UC25 and UC27 Y-voltage models with Elmo motors - use 4
	F370223	Capacitor	25 Microfarad; HC18, SC18 and UC18 Y-voltage models with Elmo motors - use 1; HC18, SC18 and UC18 E-voltage with Century motors - use 1
	F370222	Capacitor	50 Microfarad; HC18, SC18 and UC18 Y-voltage models with Elmo motors - use 1; HC18, SC18 and UC18 E-voltage models with Century motors - use 2
	F370221	Capacitor	100 Microfarad; HC18, SC18 and UC18 B-voltage models with Elmo motors - use 2; HC18, SC18 and UC18 B-voltage models with Century motors - use 2
	F370220	Capacitor	130 Microfarad; HC18, SC18 and UC18 B-voltage models with Elmo motors - use 1; HC18, SC18 and UC18 B-voltage models with Century motors - use 1; HC25, HC27, SC25, SC27, UC25 and UC27 Y-voltage models with Elmo motors - use 1
	2	F022039600P	Motor
F220352		Motor	HC18, SC18 and UC18 D-voltage models
F022032500P		Motor	HC18, SC18 and UC18 C, F, G and H-voltage models with or without heat; Includes F200186100 Motor Support Bushing
F220125P		Motor	Replaces F220117 and F220130 Motor; Order F280427 Pulley and F280298P Pulley Bushing when replacing either F220117 or F220130 Motor; HC18, SC18 and UC18 E-voltage models; Includes F200186100 Motor Support Bushing
F022039600P		Motor	Replaces F220320 Motor; Order F280170 Pulley when replacing F220320 Motor; HC18, SC18 and UC18 A and O-voltage models; Includes F200186100 Motor Support Bushing
F220110P		Motor	HC18, SC18 and UC18 B-voltage models; Includes F200186100 Motor Support Bushing
F022012800P		Motor	HC18, SC18 and UC18 Y-voltage models; Includes F200186100 Motor Support Bushing
F022038800P		Motor	HC25, SC25 and UC25 C, F, G and H-voltage models; Includes F200186100 Motor Support Bushing
F220389		Motor	HC25, SC25 and UC25 D, J and U-voltage models
F220125P		Motor	HC25, SC25 and UC25 E-voltage models; Includes F200186100 Motor Support Bushing
F022038700P		Motor	HC25, SC25 and UC25 A, K and O-voltage models; Includes F200186100 Motor Support Bushing
F022012400P		Motor	HC25, SC25 and UC25 L and Y-voltage models; Includes F200186100 Motor Support Bushing
F022038800P		Motor	HC27, SC27 and UC27 C, F and H-voltage models; Includes F200186100 Motor Support Bushing
F220389		Motor	HC27, SC27 and UC27 D, J and U-voltage models
F220125P		Motor	HC27, SC27 and UC27 E-voltage models; Includes F200186100 Motor Support Bushing
F022038700P		Motor	HC27, SC27 and UC27 A, K and O-voltage models; Includes F200186100 Motor Support Bushing
F022012400P	Motor	HC27, SC27 and UC27 L and Y-voltage models	

Motor, Pulley and Belt (Drawing 1 of 2)

HC35, HC50, SC35, SC50, UC35 and UC50 Models



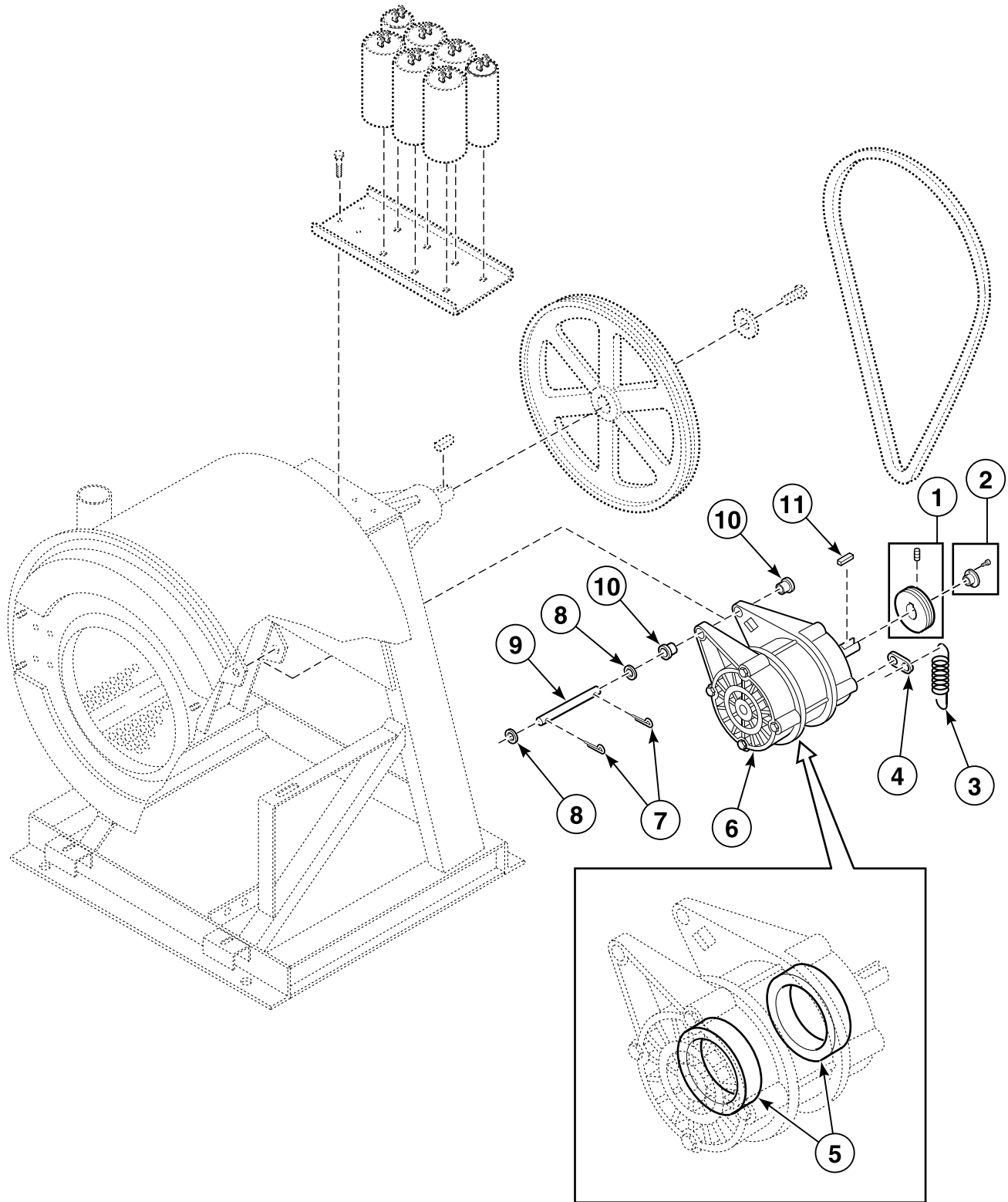
CHM2083P_F232175

Motor, Pulley and Belt (Drawing 1 of 2)

REF	PART NO.	DESCRIPTION	COMMENTS
1	F370230	Capacitor	10 Microfarad; HC35, SC35 and UC35 Y-voltage models with Century motors - use 1
	F370224P	Capacitor	20 Microfarad; HC35, SC35 and UC35 Y-voltage models with Elmo motors - use 1; HC50, SC50 and UC50 Y-voltage models with Elmo motors - use 2
	F370223	Capacitor	25 Microfarad; HC35, SC35 and UC35 Y-voltage models with Elmo motors - use 1
	F370222	Capacitor	50 Microfarad; HC35, SC35 and UC35 Y-voltage models with Elmo motors - use 1; HC35, SC35 and UC35 Y-voltage models with Century motors - use 1; HC50, SC50 and UC50 Y-voltage models with Elmo motors - use 2
	F370220	Capacitor	130 Microfarad; HC35, SC35 and UC35 Y-voltage models with Century motors - use 1; HC50, SC50 and UC50 Y-voltage models with Elmo motors - use 3
	F370218	Capacitor	160 Microfarad; HC35, SC35 and UC35 Y-voltage models with Elmo motors - use 1; HC35, SC35 and UC35 Y-voltage models with Century motors - use 1
2	F430108	Screw	
3	F200033500	Capacitor Mounting Bracket	
4	F430801	Key	
5	F280172	Sheave Pulley	HC35, SC35 and UC35 models
	F280173	Pulley	HC50, SC50 and UC50 models
	F748001	Pulley Kit	Includes items 1, 4, 5 and 17; HC35, SC35 and UC35 models
	F748003	Pulley Kit	Includes items 1, 4, 5 and 17; HC50, SC50 and UC50 models
6	F431115	Washer	
7	F430100	Screw	
8	F280341	Belt	3V-850; HC35, SC35 and UC35 C, D, G and J-voltage models
	F280342	Belt	3V-830; HC35, SC35 and UC35 A, F, H, K, O and Y-voltage models
	F280373	Belt	3V-90.65; Replaces F280304 Belt in 50 Hertz models; HC50, SC50 and UC50 C, D, G and J-voltage models
	F280304	Belt	3V-900; HC50, SC50 and UC50 A, F, H, K, O and Y-voltage models

Motor, Pulley and Belt (Drawing 2 of 2)

HC35, HC50, SC35, SC50, UC35 and UC50 Models

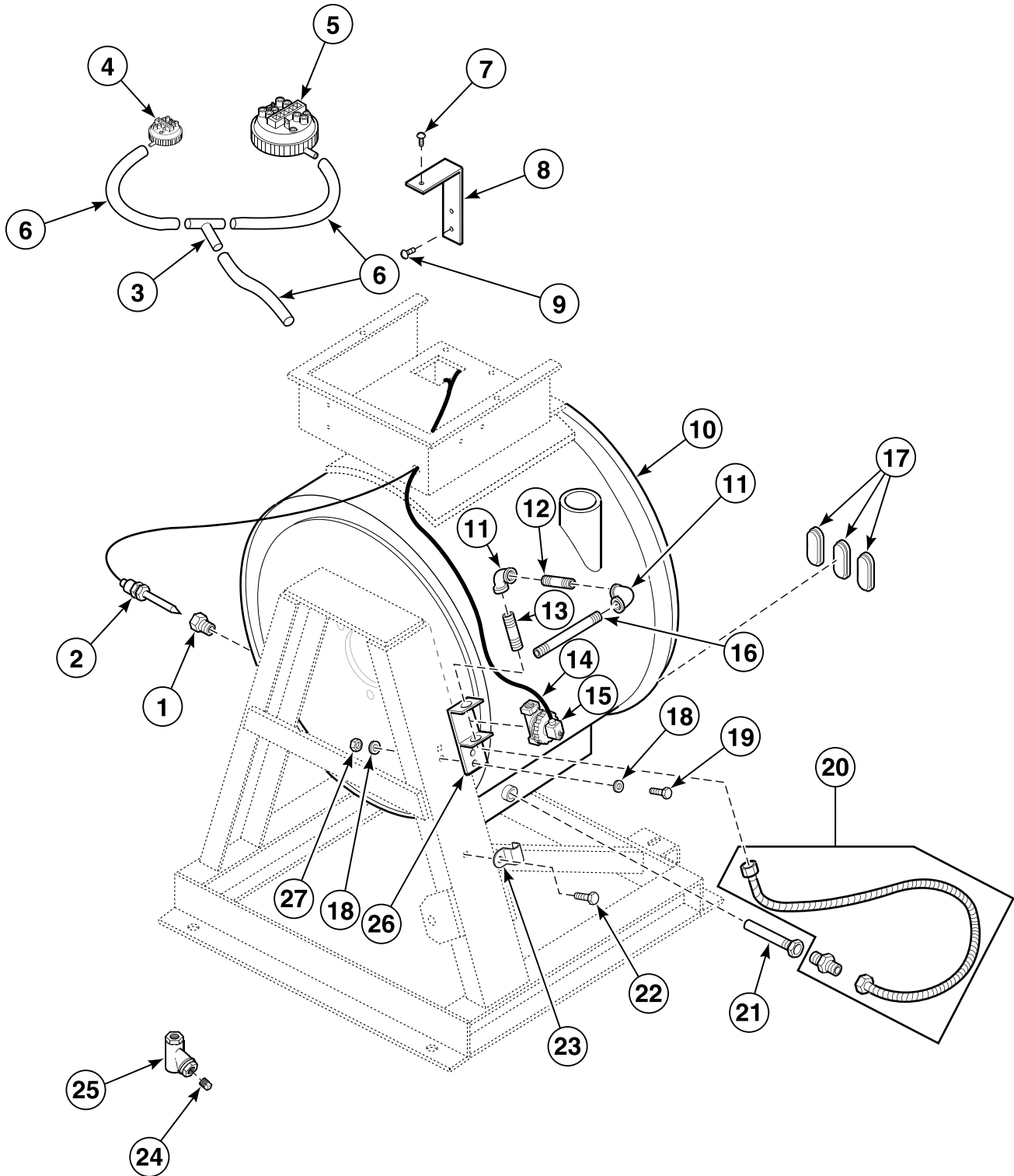


CHM2083PA_F232175

Motor, Pulley and Belt (Drawing 2 of 2)

REF	PART NO.	DESCRIPTION	COMMENTS
1	F280418	Pulley	Replaces F280185 Motor Pulley; F280298P Pulley Bushing is used with F280418 Pulley; HC35, SC35 and UC35 C, D, G, and J-voltage models
	F280281	Motor Pulley	HC35, SC35 and UC35 A, F, H, K, O and Y-voltage models
	F280422P	Pulley	Replaces F280186 Pulley; F280225P Bushing is used with F280422P Pulley; HC50, SC50 and UC50 C, D, G, and J-voltage models
	F280177P	Motor Pulley	HC50, SC50 and UC50 A, F, H, K, O and Y-voltage models
2	F280298P	Pulley Bushing	HC35, SC35 and UC35 C, D, G, and J-voltage models
	F280225P	Bushing	HC50, SC50 and UC50 C, D, G, and J-voltage models
3	F310124	Extension Spring	
4	F601515	Clip	Elmo only
5	F100124	Motor Bearing	
6	F022032600P	Motor	HC35, SC35 and UC35 C, F, G and H-voltage models; Includes F200186100 Motor Support Bushing
	F0220321-00P	Motor	Replaces F220350 Motor; Order F280418 Pulley and F280298P Pulley Bushing when replacing F220353 Motor; HC35, SC35 and UC35 A, D, J, K and O-voltage models; Includes F200186100 Motor Support Bushing
	F0220111-00P	Motor	HC35, SC35 and UC35 Y-voltage models; Includes F200186100 Motor Support Bushing
	F220354	Motor	HC50, SC50 and UC50 D-voltage models
	F022032200P	Motor	Replaces F220354 Motor; Order F280422P Pulley when replacing F220535 Motor; HC50, SC50 and UC50 J-voltage models
	F220327P	Motor	HC50, SC50 and UC50 C, F, G and H-voltage models; Includes F200186100 Motor Support Bushing
	F022032200P	Motor	HC50, SC50 and UC50 A and O-voltage models
	F0220120-01P	Motor	HC50, SC50 and UC50 Y-voltage models; Includes F200186100 Motor Support Bushing
7	F430401	Cotter Pin	
8	F430325	Washer	
9	F603059	Motor Support Rod	HC35, SC35 and UC35 models
	F603897	Motor Support Rod	HC50, SC50 and UC50 models
10	F200186100	Motor Support Bushing	
11	F430802	Key	

Steam Heat Option



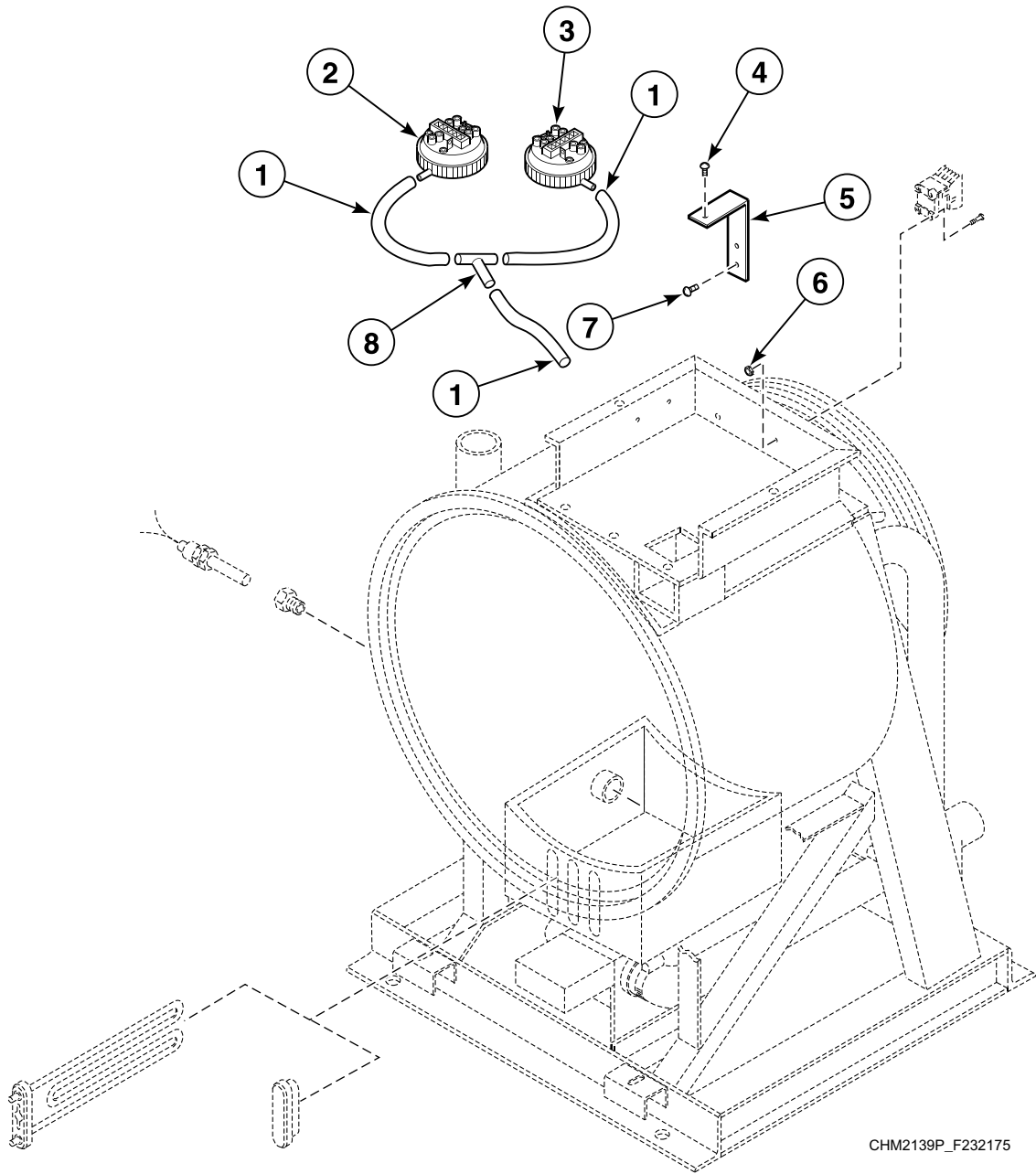
CHM2042P_F232175

Steam Heat Option

REF	PART NO.	DESCRIPTION	COMMENTS
1	F421936	Reducer Bushing	
2	F370606P	Temperature Probe	
3	F422806	Tee	
4	F0340350-00	Water Pressure Switch	Heat safety; V-computer models
5	F0340343-10P	Water Level Switch	Standard; HC18, HC25, HC27, SC18, SC25, SC27, UC18, UC25 and UC27 models
	F0340345-10P	Water Level Switch	Standard; HC35, HC50, SC35, SC50, UC35 and UC50 models
6	F422404P	Tubing	
7	F430172	Screw	
8	F606005	Bracket	
9	F430174	Screw	
10	N/A	Shell Assembly	Heat option; HC18, SC18 and UC18 models
	F741011	Shell Kit	Heat option; HC25, SC25 and UC25 models
	F631201	Shell Assembly	Heat option; HC27, SC27 and UC27 models
	F741012	Shell Kit	Heat option; HC35, SC35 and UC35 models
	N/A	Shell Assembly	Heat option; HC50, SC50 and UC50 models
11	70079601	Elbow	
12	F420708	Nipple	
13	F420707	Nipple	
14	F140887P	Harness Assembly	
15	F380786P	Steam Valve	120 Volt
	F380787P	Steam Valve	220 Volt
16	70214101	Pipe Nipple	
17	F360202	Heating Element Plug	
18	F430317	Washer	
19	F430108	Screw	
20	F200154	Steam Hose	Includes fitting
	F410300	Pipe Insulation	
21	F603131	Steam Injection Tube Assembly	
22	F430115	Screw	
23	N/A	Cable Strap	
24	F420409	Plug	
25	F270307	Steam Filter	
26	F635334	Steam Valve Bracket Weldment	HC27, SC27 and UC27 models
	F601186	Steam Bracket Assembly	All other models
27	F430215	Nut	

N/A = Part no longer available

Electric Heat Option (Drawing 1 of 2)

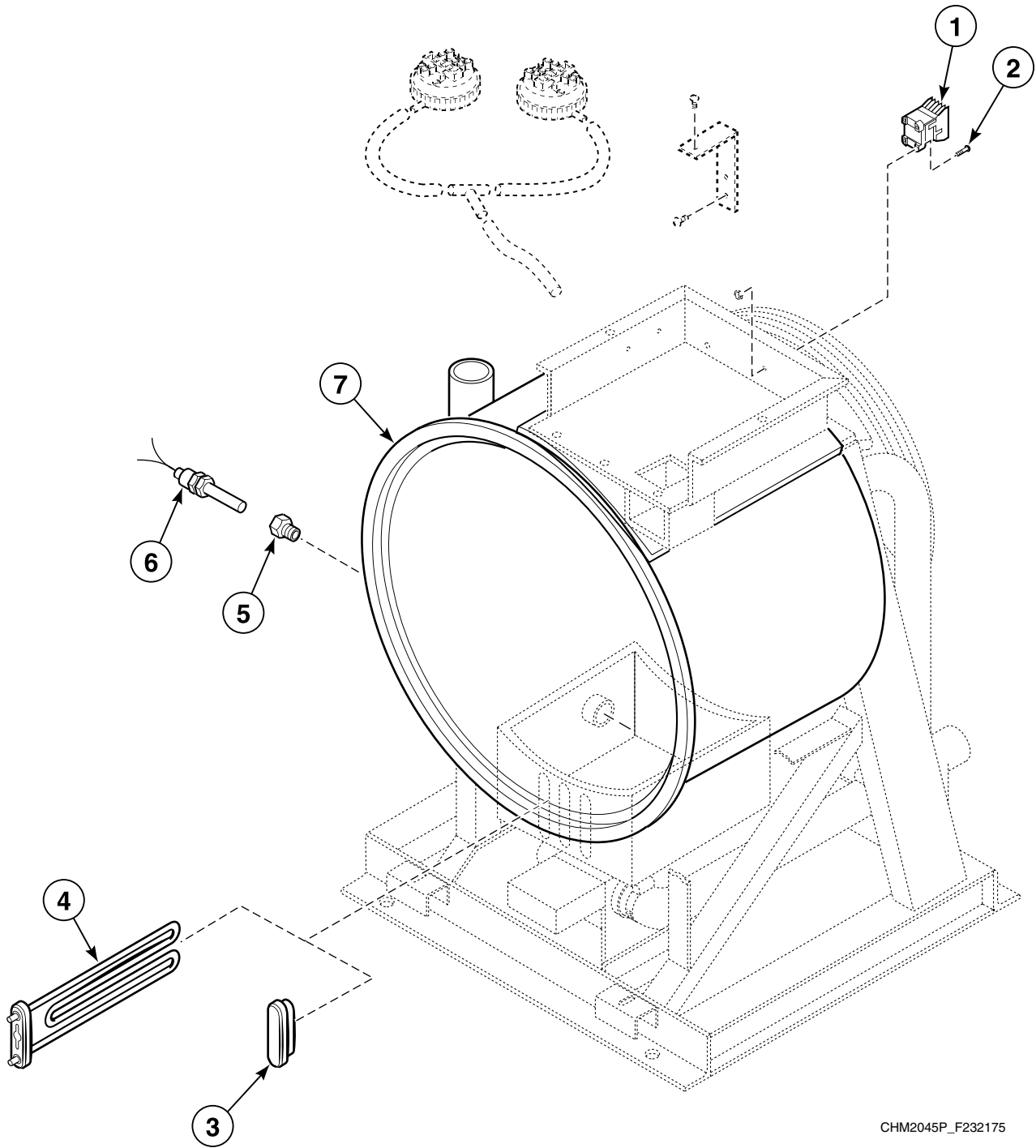


CHM2139P_F232175

Electric Heat Option (Drawing 1 of 2)

REF	PART NO.	DESCRIPTION	COMMENTS
1	F422404P	Tubing	
2	F0340350-00	Water Pressure Switch	Heat safety; V-computer models
3	F0340343-10P	Water Level Switch	Standard; HC18, HC25, HC27, SC18, SC25, SC27, UC18, UC25 and UC27 models
	F340312P	Water Level Switch	HC18, HC25, SC18, SC25, UC18 and UC25 V-computer models
	F340312P	Water Level Switch	HC27, SC27 and UC27 P and S-computer models
	F340315P	Water Level Switch	HC27, SC27 and UC27 V-computer models
	F340321P	Water Level Switch	HC35, SC35 and UC35 P and S-computer models
	F0340345-10P	Water Level Switch	Standard; HC35, HC50, SC35, SC50, UC35 and UC50 models
	F340337P	Water Level Switch	HC50, SC50 and UC50 P and S-computer models
4	F430172	Screw	
5	F606005	Bracket	
6	F430231	Nut	
7	F430174	Screw	
8	F422806	Tee	

Electric Heat Option (Drawing 2 of 2)



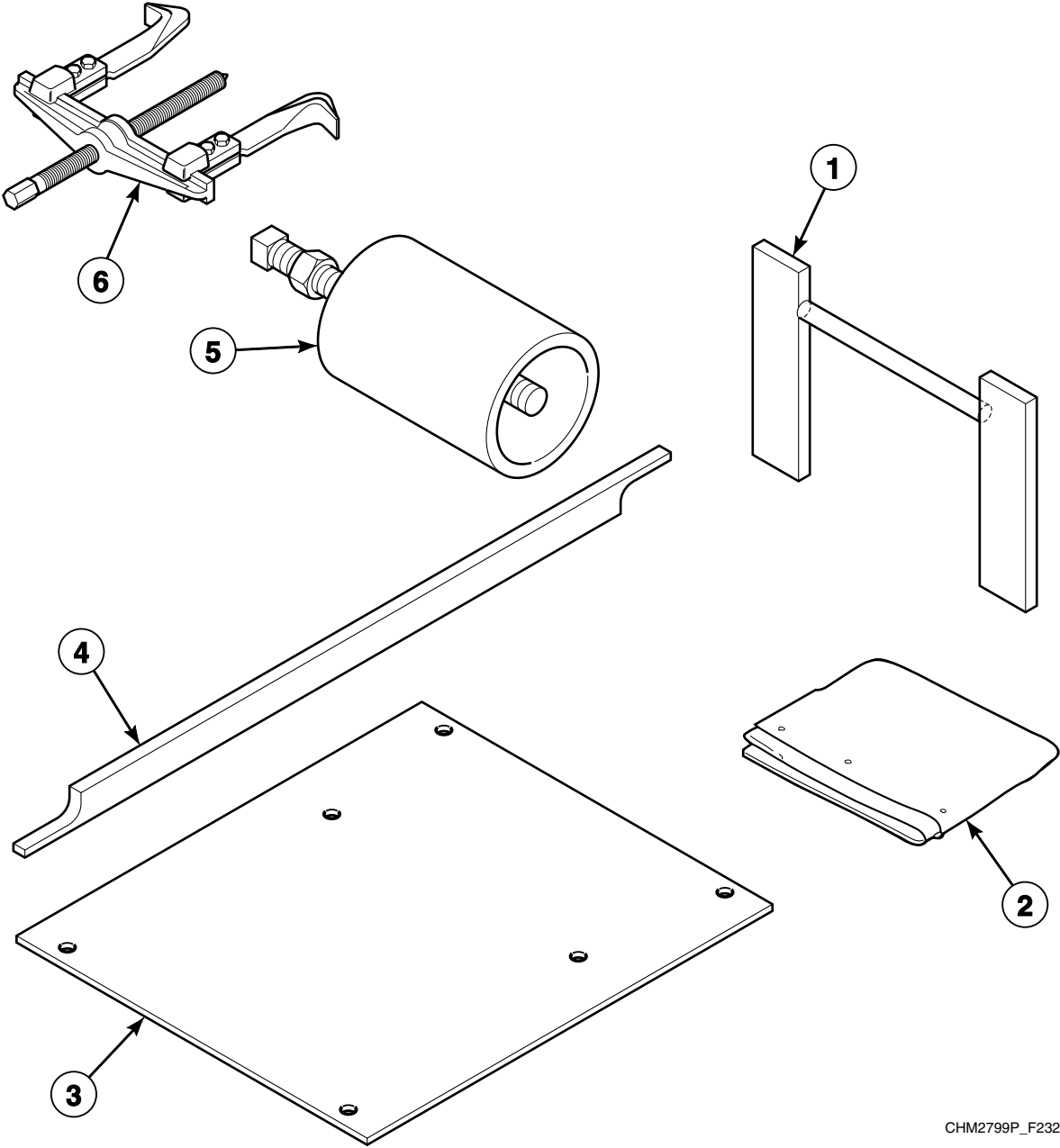
CHM2045P_F232175

Electric Heat Option (Drawing 2 of 2)

REF	PART NO.	DESCRIPTION	COMMENTS
1	F330187P	Contactora	120 Volt; HC18, HC25, HC27, SC18, SC25, SC27, UC18, UC25 and UC27 L and Y-voltage models
	F330188P	Contactora	220 Volt; HC18, HC25, HC27, SC18, SC25, SC27, UC18, UC25 and UC27 E-voltage models
	F330175P	Contactora	120 Volt; HC18, HC25, HC27, SC18, SC25, SC27, UC18, UC25 and UC27 A, D, J and O-voltage models
	F330177P	Contactora	220 Volt; HC18, HC25, HC27, SC18, SC25, SC27, UC18, UC25 and UC27 A, D, J and O-voltage models
	F330187P	Contactora	120 Volt; HC50, SC50 and UC50 A, D, J and O-voltage models
	F330188P	Contactora	220 Volt; HC50, SC50 and UC50 A, D, J and O-voltage models
	F330175P	Contactora	120 Volt; HC18, HC25, HC27, SC18, SC25, SC27, UC18, UC25 and UC27 models
	F330177P	Contactora	220 Volt; HC18, HC25, HC27, SC18, SC25, SC27, UC18, UC25 and UC27 models
	F330187P	Contactora	120 Volt; HC50, SC50 and UC50 H-voltage models
	F330188P	Contactora	220 Volt; HC50, SC50 and UC50 C-voltage models
	F330180	Contactora	120 Volt; HC50, SC50 and UC50 F, N and P-voltage models
	F330182	Contactora	220 Volt; HC50, SC50 and UC50 F, N and P-voltage models
2	F430916	Screw	
3	F360202	Heating Element Plug	
4	F360206P	Heating Element	2.0 kW
	F360205P	Element	2.6 kW
5	F421936	Reducer Bushing	
6	F370606P	Temperature Probe	
7	N/A	Shell Assembly	Heat option; HC18, SC18 and UC18 models
	F741011	Shell Kit	Heat option; HC25, SC25 and UC25 models
	F631201	Shell Assembly	Heat option; HC27, SC27 and UC27 models
	F741012	Shell Kit	Heat option; HC35, SC35 and UC35 models
	N/A	Shell Assembly	Heat option; HC50, SC50 and UC50 models

N/A = Part no longer available

Special Tools



CHM2799P_F232175

Special Tools

REF	PART NO.	DESCRIPTION	COMMENTS
1	F460131	Basket Pulley Puller Tool	
2	F450127	Template	HC18, HC35, HC50, SC18, SC35, SC50, UC18, UC35 and UC50 models
	F450246	Template	HC25, SC25 and UC25 models
3	F608707	Bolt Layout Mounting Template	HC18, SC18 and UC18 models
	F608708	Bolt Layout Mounting Template	HC25, SC25 and UC25 models
	F631796	Bolt Layout Mounting Template	HC27, SC27 and UC27 models
	F608709	Bolt Layout Mounting Template	HC35, SC35 and UC35 models
	F608710	Bolt Layout Mounting Template	HC50, SC50 and UC50 models
4	N/A	Basket Pulley Alignment Bar	HC50, SC50 and UC50 models
5	F798001	Basket Pulley Kit	HC18, HC25, SC18, SC25, UC18 and UC25 models
	F798002	Basket Puller Kit	HC27, HC35, SC27, SC35, UC27 and UC35 models
	F798003	Basket Puller Kit	HC50, SC50 and UC50 models
6	F460129	Bearing Puller Tool	

N/A = Part no longer available

Parts Index

A

Air Chamber Nipple	
F634178	51
Air Trap Hose	
F200142	43, 45, 47, 51

B

Ball Bearing	
M400592	79
Basket Assembly	
F602241-1P	73
F603225-1	73
F603900-1	73
F606214	73
F631927	73
Basket Puller Kit	
F798002	93
F798003	93
Basket Pulley Kit	
F798001	93
Basket Pulley Puller Tool	
F460131	93
Battery	
F191101	13
Battery Adapter Board	
F370529P	13
Battery Backup Wire Harness	
F140249	13
Bearing	
F100108	75
F100122	75
F100123P	75
F100136P	75
F100137	75
Bearing Puller Tool	
F460129	93
Belt	
F0280380-00	77
F280304	83
F280321	77
F280337	77
F280341	83
F280342	83
F280343	77
F280373	83
Blind Rivet	
J1111905	55
Board	
F370555-11P	9
Bolt Layout Mounting Template	
F608707	93
F608708	93
F608709	93
F608710	93
F631796	93
Bottom Fill Hose	
F150414	47

Bracket	
F606005	87, 89
Bridge Rectifier	
F370310	13
Bushing	
F280225P	77, 85
F280430	77

C

Cabinet Brace	
F634800	69, 71
F634801	69, 71
F634802	69, 71
F634803P	69, 71
Cap Plug	
F190301	29
Capacitor	
F370218	83
F370220	81, 83
F370221	81
F370222	81, 83
F370223	81, 83
F370224P	81, 83
F370225P	13, 15
F370230	81, 83
Capacitor Bracket	
F602732	77
Capacitor Mounting Bracket	
F200033500	77, 83
Capacitor Mounting Clamp	
F140612P	13, 15
Clip	
F601515	9, 79, 85
Coil	
F380900	31
F380917	31
Coin Box	
F160631	19
F160632	19
F160633	19
F160634	19
F160636	19
F160672	19
F160673	19
Coin Guide Assembly	
F200002500	21, 23
F200002501	25
F200002502P	21, 23
F200002503	25
Coin Meter Assembly	
F200003800P	23
F200003801	23
F200003802P	23
F200003803	23
F200003805	23
F200003806P	23
F200003807	23
F200003808	23
F200003809	23
F200003810	23
F200003811	23

N/A items do not appear in index.

F200003812	23
F200005200	25
F200005201	25
F200005202	25
F200005203	25
F200005204	25
F200005205	25
F200005206	25
F200005207	25
F200005208	25
F200005209	25
F200005210	25
F200005211	25
F200005212	25
F200005800	21
F200005801	21
F200005802	21
F200005803	21
F200005804	21
F200005805	21
F200005806	21
F200005807	21
F200005808	21
F200005809	21
F200005810	21
F200005811	21
Coin Meter Blocking Coil	
F160466P	21, 23, 25
F160467	21, 23, 25
Coin Meter Decal	
F0231595-00	25
F0231595-01	25
Coin Meter Insert	
F608925	21, 23, 25
Coin Meter Insert Decal	
F231010	21, 23
Coin Meter Mounting Shim	
F0634819-00	11
Computer	
F370518-00P	11
F370518-10P	11
F370555-01P	9
Conductor Decal	
F231146	7
Contactors	
F330175P	17, 91
F330177P	17, 91
F330180	91
F330182	91
F330187P	91
F330188P	91
Control Box Assembly	
F634236-1	15
Control Module Cover	
F634175	15
Control Panel Assembly	
F634808-1	71
F634808-2	69
F634824-1	71
F634824-2	69
F634827-1	71
F634827-2	69
F634830-1	71
F634830-2	69
Control Panel Decal	
F0231618-00	11
F231467	9

F231468	9
F231469	9
F231470	9
F231496	9
F231498	9
F231546	9
F231551	11
F231553	11
Cotter Pin	
F430401	79, 85
Counterclockwise Spin Rotation Decal	
F230693	7, 53
Cover	
F140423	13

D

Disconnect Power Warning Label	
505281	7
Do Not Lift Decal	
F230216	7
Door Assembly	
F603239-1	53
F603239-2	53
F603239-3	53
F603901-4	53
F603901-5	53
F603901-6	53
F604079-1	53
F604079-2	53
F604079-3	53
Door Bezel	
F0170426-00	69
F0170426-10	69, 71
F170416-2	71
F170417-1	69
F170417-2	71
F634472-2	69
F634668-1	69
F634668-2	69
Door Gasket	
F170123-1	53
F170124-1	53
F200000201	53
Door Glass	
F290208P	53
Door Glass Kit	
F290205P	53
F290207P	53
Door Handle	
F150225	53
Door Handle Kit	
F730155	53
Door Hinge	
F190216P	53
Door Hinge Shim Kit	
F200131000P	55
Door Lock Assembly	
F0636698-04	61
F0636698-05P	61
Door Lock Assembly Cover	
F603003	61, 63
Door Lock Catch Casting	
F150261	61, 63

N/A items do not appear in index.

Door Lock CCA	
F0632387-01P	15
F632387-2	15
Door Lock Kit	
F0798839-00	63
F0798839-01	63
Door Lock Microswitch	
F200203200	61, 63
Door Lock Pin Linkage	
F150455	61, 63
Door Lock Pin Release Spring	
F310137	61, 63
Door Lock Plate Shim	
F603185	61, 63
Door Lock Plate Sub-Assembly	
F0636676-00	61, 63
Door Lock Relay CCA	
F370426-1P	13
F370426-2P	13
Door Lock Retainer Latch	
F0636103-00	63
Door Lock Solenoid	
F0300131-00P	63
Door Lock Splash Shield	
F320200	61, 63
Door Lock Spring	
F310125	53
Door Lock Switch Lever	
F0636636-00	61, 63
Door Lock Time Delay	
F200025200	13, 15
Door Lock Torsion Spring	
F310110	61, 63
Door Locking Linkage Pin	
F431231	61, 63
Door Mount	
F150271	53
Door Release Solenoid	
F300128P	63
Door Spacer	
F0150273-00	53
Door Switch	
F340200	61
Door Warning Label	
81968	7
Drain Connector Tee	
F8017101	43, 47
Drain Hose	
F0150331-00	43, 47
F150356	45
F200123500	43
Drain Motor	
F380943P	39, 41
Drain Pump	
F270119P	49
Drain Tee	
F150398	43
Drain Valve	
F038062800	41
F038062900	41
F380618	39
F380619	39
Drain Valve Assembly	
F602920	39

F603175	39
Drain Valve Body	
F380920	39
Drain Valve Cover	
F200133600	39, 41
Drain Valve Kit	
F200166300	41
F200166302	41
F200166400	41
F200166402	41
Drain Valve Motor	
F380932P	39, 41
F380933P	39, 41
F380972P	39, 41
Drain Valve Motor and Gear Box Assembly	
G159764P	39, 41

E

Elbow	
70079601	87
Electrical Box Assembly	
F602694	67
Electrical Panel Sub-Assembly	
F0606950-02	13
Element	
F360205P	91
E-Ring Retainer	
F310205	61, 63
Extension Spring	
F310124	79, 85
External Supply Decal	
F230764	35
Extrusion Control Panel	
F150403	67
Extrusion Panel	
F150325	67
F150326	67

F

Female Pin Terminal	
00430	23, 25
Fill Hose	
F150372	33, 43
Filter	
F270305	37
F270306P	37
Filter Housing Cap Gasket	
F270407	37
Filter Screen	
F270300	37
Flange Relay	
F330227	13, 15
F330230	13, 15
Flow Restrictor	
F380957	31
F380958	31
Frame Assembly	
F606178	75
F607003	75
F607004	75

N/A items do not appear in index.

F607005.....	75
F630232.....	75
Front Drain Hose	
F150312.....	43, 47
F200123900.....	43
Front Panel	
F634665-1P.....	71
F634665-2.....	71
F634666-1P.....	69
F634666-2.....	69
F634682-1P.....	71
F634682-2.....	71
F634683-1P.....	69
F634683-2.....	69
F634764-1P.....	71
F634764-2.....	71
F634765-1P.....	69
F634765-2.....	69
F634816-1P.....	71
F634816-2.....	71
F634817-1.....	69
F634817-2.....	69
F634836-1P.....	71
F634836-2.....	71
Front Panel Kit	
F757405.....	59
F757406.....	57
F757419.....	59
F757440.....	57
F757445.....	57
F757450.....	59
F757455.....	59
F757484-01.....	57
F757485-01.....	57
757414.....	57
Fuse	
F350108.....	13, 15
F350109.....	13, 15
F350110.....	13, 15
F350115.....	33, 35
Fuse Board	
F370554.....	13
Fuse Holder	
F0350312-10.....	35
F350304P.....	33

G

Gasket	
F170401P.....	67
Grommet	
F170607.....	67
Ground Decal	
F230630.....	7
F230739.....	7
Ground Terminal Lug	
F140734.....	33, 35

H

Harness Assembly	
F140887P.....	87
Heating Element	
F360206P.....	91

Heating Element Plug	
F360202.....	87, 91
Hose	
F200115.....	49
F200195.....	49
Hose Clamp	
F200204.....	47, 49, 51
F200205.....	29, 43, 45, 47
F200206.....	35
F200213.....	29, 33, 43, 45, 47, 49, 51
F200215.....	41, 43, 45, 47, 51
F200217.....	49
36801.....	29, 33

I

Injection Nozzle	
F380300.....	35
Injection Nozzle Kit	
F730168.....	35
Inner Front Panel Kit	
F0798928-00.....	67
F757201.....	67
F757202.....	67
F757205.....	67
F757206.....	67
Input Harness Kit	
F141871P.....	13
Input Power Block	
F140746.....	35
F140747.....	35
F140748.....	35
Insulator Bushing	
F140909.....	33
Interlock Contactor	
F330186P.....	17

K

Key	
F160420.....	19
F160421.....	19
F160422.....	19
F160423.....	19
F160424.....	19
F160562.....	65
F160582.....	19
F190805-1.....	65
F430801.....	77, 83
F430802.....	79, 85
Keypad	
F370576P.....	9

L

Left Side Panel	
F0636136-00P.....	65
F635272-1P.....	65
F635274-1P.....	65
Lid Clamp Assembly	
F630430.....	27

N/A items do not appear in index.

Lid Lock	
F190802P	65
F190805P	65
Liquid Supply Decal	
F230877	7

M

Magnet	
F340703	53
Magnetic Position Switch	
F340702	55
Male Connector	
F140571	23, 25
Manifold	
F150371	29
Membrane Switch	
F340605P	11
F340608P	9
F340614P	9
F340615P	11
Microcomputer	
F370313-30P	9
F370313-40P	11
Microcomputer Board	
F370313P	11
Mixing Valve Kit, 3-Way	
F730455	29, 31
F730456	29, 31
Module Cover	
F602961	67
Momentary Switch	
F340412	9
Motor	
F0220111-00P	85
F0220120-01P	85
F022012400P	81
F022012800P	81
F0220321-00P	85
F022032200P	85
F022032500P	81
F022032600P	85
F022038700P	81
F022038800P	81
F022039600P	81
F220110P	81
F220125P	81
F220327P	85
F220352	81
F220354	85
F220389	81
Motor Bearing	
F100109P	75
F100124	85
Motor Pulley	
F280177P	85
F280281	79, 85
Motor Support Bushing	
F200186100	79, 85
Motor Support Rod	
F602844	79
F603059	85
F603897	85

Mounting Bracket	
F602722	65
Mounting Plate	
F606595	29

N

Nipple	
F420707	87
F420708	87
Nut	
F430211	13, 15
F430215	43, 45, 47, 49, 51, 53, 65, 73, 87
F430218	75
F430224	35
F430225	61, 63
F430231	29, 33, 49, 61, 65, 89
F430232	9, 33, 53, 61, 63
F430239	75
F430240	75
F430243	21, 23, 25
F430264	57, 59
F431017	61, 63
F431022	9, 11, 13, 33, 35, 55
F431024	27
F431041	53

O

Optic Switch Kit	
F775801-02P	21
O-Ring	
F170208	35
Output Board CCA	
F370448P	15
F370448-6P	15
F370450P	13
Overflow Hose	
F150308	47
F150332	43, 45, 47
F200125800	43
Overflow Plug	
F150352	41, 49, 51
Overload Contactor	
F0330191-00P	17
F0330192-00P	17
F330403P	17

P

Personal Injury Warning Decal	
F231065	7
Pipe	
F603827-1	49
F608237	47
Pipe Insulation	
F410300	87
Pipe Nipple	
70214101	87
Plug	
F150443	49, 51
F420409	87

N/A items do not appear in index.

Pop Rivet	
F431210.....	67
F431215.....	21, 23, 25, 65
Power Supply Cover	
F633260.....	33
Pulley	
F280168.....	77
F280170.....	79
F280173.....	83
F280284.....	79
F280416.....	79
F280418.....	79, 85
F280422P.....	85
F280423.....	79
F280427.....	79
Pulley Bushing	
F280298P.....	77, 85
Pulley Kit	
F748001.....	83
F748003.....	83
Pump	
F270104P.....	49
F634463P.....	51
Pump Drain Outlet Hose	
F150482.....	51
Pump Drain Rear Connecting Bracket	
F604147.....	49, 51
Pump Drain Trap Assembly	
F630326P.....	49
Pump Drain Trap Mounting Bracket	
F609694.....	49
Pump Drain Trap Weldment	
F633819.....	51
Pump Inlet Hose	
F634177.....	51
Pump Mounting Bracket	
F634114.....	51
Push Red Button Decal	
F230661.....	53
Pushbutton Rod	
F320300.....	53

R

RC Network Filter	
F330217P.....	13
Rear Drain Hose	
F150311.....	43, 51
Rear Panel Kit	
F0798927-00.....	65
F757000.....	65
F757001.....	65
F757002.....	65
F757003.....	65
Rear Pump Drain Hose	
F150343.....	49, 51
Red Dot Decal	
F230662.....	53
Reducer Bushing	
F421936.....	87, 91
Relay Board	
F370519P.....	13
F610808.....	13

Remove Door Lock Tag	
F230528.....	7
Replacement Filter	
F270405.....	37
F270406.....	37
Resistor	
F370116.....	35
F370117.....	35
Ribbon Cable	
F140216P.....	13
F140247.....	15
Right Side Panel	
F0635271-01.....	65
F0636594-00P.....	65
F634396-1P.....	65
F634500-1.....	65
F635275-1P.....	65
Rivet	
F432005.....	67
Rocker Switch	
F340411.....	9
Rod	
F602813-2.....	53

S

Screw	
F430100.....	83
F430103.....	43, 45, 47
F430107.....	49, 51
F430108.....	15, 65, 77, 83, 87
F430115.....	87
F430137.....	69
F430172.....	87, 89
F430174.....	15, 33, 35, 61, 63, 65, 87, 89
F430177.....	29, 33
F430179.....	51
F430482.....	15
F430518.....	73
F430519.....	49
F430532.....	53
F430533.....	53
F430536.....	55
F430903.....	33
F430904.....	13, 15
F430906.....	53
F430910.....	49
F430916.....	13, 29, 33, 35, 91
F430917.....	13, 15, 35
F430925.....	65
F430927.....	77
F430928.....	13
F430929.....	29
F430942.....	75
F430948.....	29, 33
F430949.....	75
F430956.....	69, 71
F430976.....	53
F430977.....	61, 63
F430982.....	61, 63
F430986.....	57, 59
F430987.....	75
F431701.....	35
F432293.....	55, 57, 59
Shaft Seal	
F100208.....	75

N/A items do not appear in index.

F100228	75
F100229	75
F100242	75
Shaft Seal Sleeve	
F200215100	73
F200215200	73
F200215300	73
F200215400	73
F200215500	73
Sheave Pulley	
F280172	77, 83
Shell Assembly	
F631201	87, 91
Shell Band Assembly	
F631977	73
Shell Band Kit	
F741700	73
F741701	73
F741702	73
Shell Front Assembly	
F632006	73
Shell Front Gasket Kit	
F792000	73
Shell Front Kit	
F741300P	73
F741301-01	73
F741302-01	73
Shell Kit	
F741008	75
F741011	87, 91
F741012	87, 91
Shell Weldment	
F634600	75
F634608	75
F634644	75
Siphon Tube	
F150390	29, 33
Soap Dispenser	
F602374-2	27, 29, 33
Soap Dispenser Hose	
F150309	43, 45
Soap Dispenser Sub-Assembly	
F0150505-00	27, 29
Solenoid	
F300124P	61
Spacer	
F401206	9, 11
F431901	61, 63
F431911	35
Spring Pin	
F431222	53
Standoff	
F180501	15
Steam Bracket Assembly	
F601186	87
Steam Filter	
F270307	87
Steam Hose	
F200154	87
Steam Injection Tube Assembly	
F603131	87
Steam Valve	
F380786P	87
F380787P	87

Steam Valve Bracket Weldment	
F635334	87
Strainer	
F270200	31
Stud	
F390300	65
Supply Dispenser	
F602374-3	27, 29, 33
F634377P	33
Supply Dispenser Gasket	
F170170	27
Supply Dispenser Lid	
F200270501	27
Supply Hose Bracket	
F606516	35
Switch Plate Decal	
F230840	9
Switch Plate Sub-Assembly	
F633098	9

T

Take-Apart Hinge	
F190203P	65
Tee	
F422806	87, 89
F422817	47
Temperature Probe	
F370606P	87, 91
Template	
F450127	93
F450246	93
Terminal	
F140766	33
Terminal Strip	
F140738	13, 35
Terminal Strip Insulator Decal	
F140912	13
F140913	13
F140914	13
F140915	13
F140916	13
Top Brace	
F602620	67
F603014	67
F603227	67
F606239	67
F631247	67
Top Cover Kit	
F0798926-00	65
F758000-01	65
F758001-01P	65
F758002-01P	65
F758003P	65
Top Cover Latch	
F602753	67
Transformer	
F360117P	15
F360124P	15, 49
Trim	
F015050100P	57, 59
Trunnion Kit	
F747000	75
F747002	75

N/A items do not appear in index.

F747004	75
Tubing	
F200168P	35
F422404P	87, 89
F606192-5	49

U

U-Bolt Clamp	
F200401P	49, 51

V

Vacuum Breaker Assembly	
F603031	29, 33
Vacuum Breaker Bottom	
F150330	29
Vacuum Breaker Hose	
F150321	29, 33, 43, 47
F150340	29, 33, 43, 45
Vacuum Breaker Top	
F0150329-00	29
Valve Panel Kit	
F758206	65
F758208P	65
Valve Repair Kit	
F380939	31
F380954	31
Valve, 3- Way	
F381718P	33
F381720P	33
F381725P	33
F381728P	33
F381730P	33
Vent Hose	
F200170	47
Vent Nipple	
F422517	47

W

Washer	
F0431159-00	77
F430301	75
F430303	75
F430310	49
F430317	43, 45, 47, 51, 61, 63, 65, 73, 87
F430322	29
F430325	79, 85
F431100	13, 15, 61, 63
F431106	9
F431108	13, 15
F431113	9, 11, 13, 35, 55
F431115	83
F431123	61, 63
F431128	75
F431131	75
F431147	27
F431902	61, 63
F431916	53
F431925	21, 23, 25
20290	37

Water Hose	
F200108P	29, 33
F200116	37
F200128P	29
F200164	37
F200165	37
F200166	37

Water Level Switch	
F0340343-10P	15, 87, 89
F0340345-10P	15, 87, 89
F340311P	13
F340312P	13, 89
F340315P	89
F340321P	13, 89
F340325P	13
F340337P	13, 89

Water Level Switch Bracket	
F631920	15

Water Pressure Switch	
F0340350-00	15, 87, 89

Y

Y Connector	
F422808	33

N/A items do not appear in index.