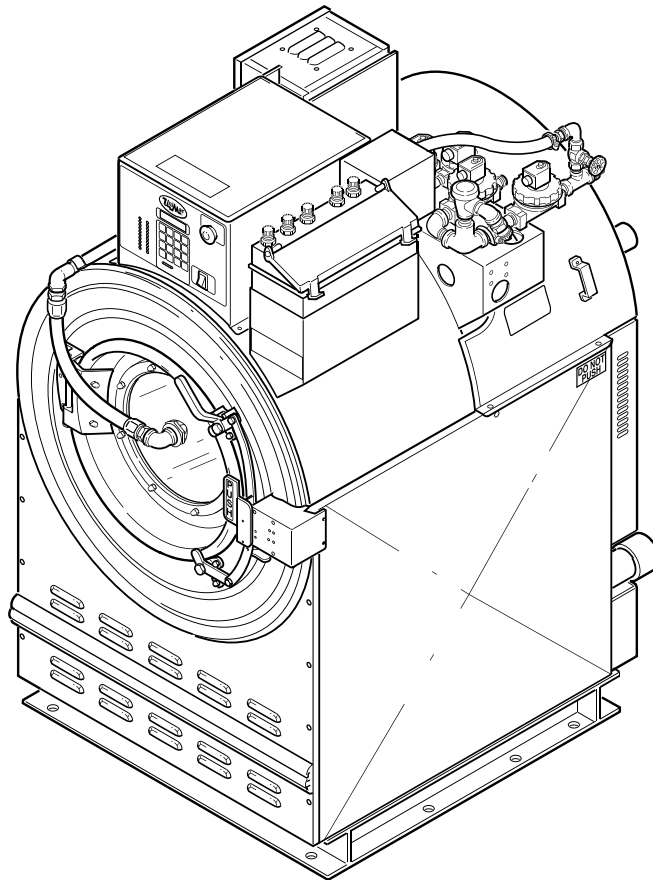


Washer-Extractor

Pocket Hardmount

Refer to Page 5 for Model Numbers



U055C_F232108

Table of Contents

Title	Page
Parts Ordering Information.....	3
Nameplate Location	3
Model Identification	5
Pocket Hardmount Washer-Extractor Product Overview	6
Product Info - Ordering AC Drives for Models UW50PVNU2 and UW50PVPU2.....	8
Product Info - Ordering AC Drives for Models UW50PVNU3, UW50PVPU3, UW60PVNU1 and UW60PVPU1	8
Product Info - Ordering AC Drives for Models UW50PVQU2 and UW50PVTU2.....	9
Product Info - Ordering AC Drives for Models UW50PVQU3, UW50PVTU3, UW60PVQU1 and UW60PVTU1	9
Decals	10
Control Module - WE-6 Microprocessor (Drawing 1 of 5)	12
Control Module - WE-6 Microprocessor (Drawing 2 of 5)	14
Control Module - WE-6 Microprocessor (Drawing 3 of 5)	16
Control Module - WE-6 Microprocessor (Drawing 4 of 5)	18
Control Module - WE-6 Microprocessor (Drawing 5 of 5)	20
Balance Switch, Temperature Probe and Rotation Sensor	22
Front, Side and Rear Panels.....	24
Door and Spray Tube.....	26
Door Lock.....	28
Basket, Shell and Frame (Drawing 1 of 2)	30
Basket, Shell and Frame (Drawing 2 of 2)	32
Supply Dispenser - Model UW50PV	34
Supply Dispenser - Model UW60PV, UW65PV and UW85PV.....	36
Water Supply Valve and Hoses to Supply Dispenser - Mueller Valve	38
Water Supply Valve and Hoses to Supply Dispenser - Elbi Valve	40
Water Supply Valve and Hoses to Supply Dispenser - Stainless Steel Supply Dispenser	42
Spray Plumbing - Models UW50PV and UW60PV	44
Fill Plumbing (Parker Valves) - Models UW50PV, UW60PV and UW85PV.....	46
Spray and Fill Plumbing - Model UW65PV	48
Spray Plumbing - Model UW85PV	50
Spray and Fill Plumbing (Hays Valves) - Model UW85PV	52
Vacuum Breaker Assembly with Leak Containment Kit.....	54
Drain System, Overflow and Vent Pipes - Model UW50PV	56
Drain System, Overflow and Vent Pipes - Model UW60PV	58
Drain System - Models UW65PV and UW85PV	60
Ball Drain Valve - Models UW65PV and UW85PV	62
Motorized Drain Valve Assembly	64
Motor, Pulley, Belt and Bearings - Models UW50PV and UW60PV	66
AC Drive Box - Models UW50PV and UW60PV	68
AC Drive - Model UW50PV	70
AC Drive - Models UW50PV and UW60PV (Drawing 1 of 3).....	72
AC Drive - Models UW50PV and UW60PV (Drawing 2 of 3).....	74

© Copyright 2010, Alliance Laundry Systems LLC

All rights reserved. No part of the contents of this book may be reproduced or transmitted in any form or by any means without the expressed written consent of the publisher.

AC Drive - Models UW50PV and UW60PV (Drawing 3 of 3).....	76
Motor, Bearings, Pulley, Belt, Drive and Transformer - Models UW65PV and UW85PV	78
AC Drive - Model UW85PV	80
PowerFlex 40 AC Drive - Model UW85PV	82
Electric Heat Option	84
Steam Heat Option - Models UW50PV and UW60PV	86
Steam Heat Option - Models UW65PV and UW85PV	88
Water-Saving System Main View - Models UW50PV and UW60PV	90
Water-Saving System Pump Sub-Assembly - Models UW50PV and UW60PV	92
Water-Saving System Control Module Sub-Assembly - Models UW50PV and UW60PV	94
Auxiliary Water Reuse Inlet - Models UW50PV and UW60PV	96
Wet-Clean Assembly Main View - Models UW50PV and UW60PV.....	98
Wet-Clean Assembly Control Module - Models UW50PV and UW60PV.....	100
Security Fasteners	102
Special Tools	104
Motor Manufacturer's Part Number on the Motor's Nameplate.....	106
Parts Index.....	109

Parts Ordering Information

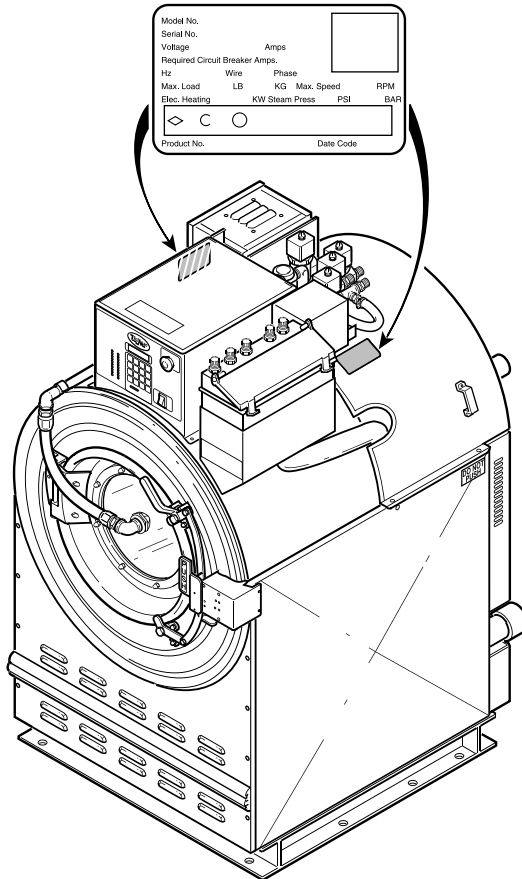
If literature or replacement parts are required, contact the source from whom the machine was purchased or contact Alliance Laundry Systems at (920) 748-3950 for the name and address of the nearest authorized parts distributor.

For technical assistance, call either of the numbers listed below:

(920) 748-3121 Ripon, Wisconsin
+32 56 41 20 54 Wevelgem, Belgium

Nameplate Location

When calling or writing about your product, be sure to mention model and serial numbers. Model and serial numbers are located on nameplate(s) as shown.



PHM2481P_F232108

Model Identification

Information in this manual is applicable to these washer-extractor models:

UW50PV

UW60PV

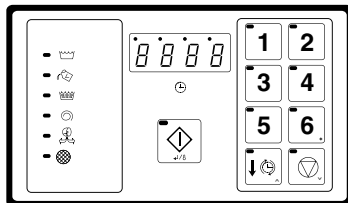
UW65PV

UW85PV

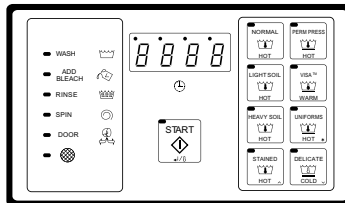
NOTE: This manual applies to models with either 1, 2, 3 or 4 in the 9th position in the model number (e.g., UW60PVQU10001).

Pocket Hardmount Washer-Extractor Product Overview

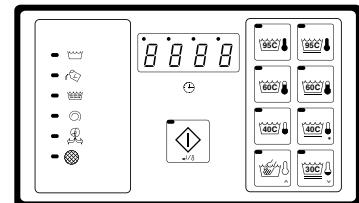
Model No. UW60AMXUB0001
Serial No. 0000000000
Voltage 200 – 240 **Amps** 10
Circuit Breaker 15 Amps
Hz 50 – 60 **Wire** 2/3 **Phase** S 3
Max. Load 60 LB 27 KG **Max. Speed** 594 RPM
Elec. Heating N/A **Steam Press.** N/A PSI 0.0 BAR
Drawings:
 ETL Listed
 Conforms To ANSI/UL Std. 1206, 3rd Ed
 Certified To CAN/CSA Std. C22.2 No.53-1968



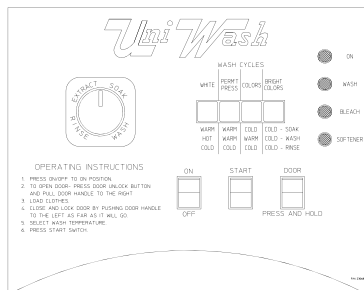
A-Control



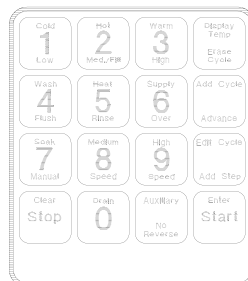
B-Control (Domestic)



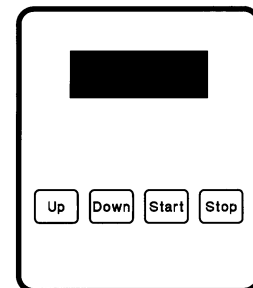
B-Control (International)



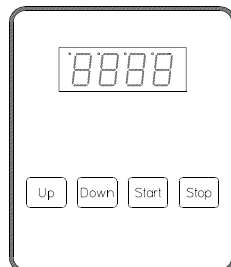
Mechanical Timer



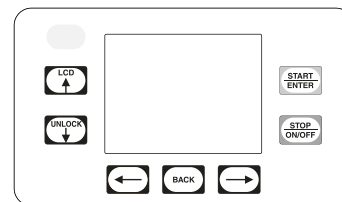
WE-6 Control



S-Computer



V-Computer



UniLinc Control

PHM2979P_F232108

Pocket Hardmount Washer-Extractor Product Overview

REF	PART NO.	DESCRIPTION	COMMENTS
1	-	Product Family	UW
2	-	Capacity (Pounds)	35 60 80 100 125 150
3	-	Control	A (A-Control) B (B-Control) M (Mechanical Timer) P (WE-6 Control) S (S-Computer) V (V-Computer) T (UniLinc Control)
4	-	Speed	2 (2-Speed) 3 (3-Speed) 4 (4-Speed) V (Variable-Speed)
5	-	Voltage	F (440-480/60/3/3) N (440-480/50-60/3/3) O (208-240/60/3/3) P (380-415/60-60/3/3) Q (200-208/220-240/50/60/3ph) R (380-415/440-480/50/60/3ph) X (200-220/220-240/50/60/1-3) Y (208-240/60/1/2)
6	-	OEM	U (Standard Specs)
7	-	Design Series	1-8

Product Info - Ordering AC Drives for Models UW50PVNU2 and UW50PVPU2

MOTOR (MANUFACTURER PART NO.)**	DRIVE RETROFIT KIT (PART NO.)	REPLACEMENT (USED IF DRIVE RETROFIT KIT HAS ALREADY BEEN INSTALLED)
F220214U (G68094)	Mitsubishi to PowerFlex 40 (F8171706)	N/A
F220236 (F-391994-61)	Mitsubishi to PowerFlex 40 (F8171707)	N/A
F220214M (9-391718-60)	Mitsubishi to PowerFlex 40 (F8171710)	N/A
F220214 (H309)	Mitsubishi A-Series to 160-Series Retro Kit (F079897600)	F0370854-802
F220214 (A431)	Mitsubishi A-Series to 160-Series Retro Kit (F079897700)	F0370854-803
F220434 (7965)	Mitsubishi A-Series to 160-Series Retro Kit (F079897800)	F0370854-804
Includes F220236 (F-391994-61)	Mitsubishi A-Series to 160-Series Retro Kit (F079898010)	F0370854-792
F220214U (G68094)	Mitsubishi to PowerFlex 40 (F8171706)	N/A
F220236 (F-391994-61)	Mitsubishi to PowerFlex 40 (F8171707)	N/A
F220214M (9-391718-60)	Mitsubishi to PowerFlex 40 (F8171710)	N/A

N/A = Part no longer available

** NOTE: Refer to *Motor Manufacturer's Part Number on the Motor's Nameplate* for help with determining your motor's part number.

Product Info - Ordering AC Drives for Models UW50PVNU3, UW50PVPU3, UW60PVNU1 and UW60PVPU1

MOTOR (MANUFACTURER PART NO.)**	DRIVE RETROFIT KIT (PART NO.)	REPLACEMENT (USED IF DRIVE RETROFIT KIT HAS ALREADY BEEN INSTALLED)
F220214M (9-391718-60)	1305 to 160-Series Drive Retrofit Kit (N/A)	N/A
	1305 to 160-Series Drive Retrofit Kit with RFI/EMI Filter (F079893600)	F0370854-794
	1305 to PowerFlex 40 (F8171711)	N/A
F220214U (G68094)	1305 to 160-Series Drive Retrofit Kit (N/A)	N/A
	1305 to 160-Series Drive Retrofit Kit with RFI/EMI Filter (F079894700)	F0370854-801
	1305 to PowerFlex 40 (F8171708)	N/A
F220214 (H309)	1305 to 160-Series Drive Retrofit Kit (F079894100)	F0370854-802
	1305 to 160-Series Drive Retrofit Kit with RFI/EMI Filter (F079894900)	
F220214 (A431)	1305 to 160-Series Drive Retrofit Kit (F079894300)	F0370854-803
	1305 to 160-Series Drive Retrofit Kit with RFI/EMI Filter (F079895100)	
F220434 (7965)	1305 to 160-Series Drive Retrofit Kit (F079894500)	F0370854-804
	1305 to 160-Series Drive Retrofit Kit with RFI/EMI Filter (F079895300)	
Includes F220236 (F-391994-61)	1305 to 160-Series Drive Retrofit Kit (F079893010)	F0370854-792
	1305 to 160-Series Drive Retrofit Kit with RFI/EMI Filter (F079893210)	
	1305 to PowerFlex 40 (F8171709)	N/A

N/A = Part no longer available

** NOTE: Refer to *Motor Manufacturer's Part Number on the Motor's Nameplate* for help with determining your motor's part number.

Product Info - Ordering AC Drives for Models UW50PVQU2 and UW50PVTU2

MOTOR (MANUFACTURER PART NO.)**	DRIVE RETROFIT KIT (PART NO.)	REPLACEMENT (USED IF DRIVE RETROFIT KIT HAS ALREADY BEEN INSTALLED)
F220214U (G68094)	Mitsubishi A-Series to PowerFlex 40 (F8171607)	F8103604 (Requires 3.2-inch motor pulley)
F220214M (9-391718-60)	Mitsubishi A-Series to PowerFlex 40 (F8171608)	F8103607 (Requires 3.2-inch motor pulley)
F220236 (F-391994-61)	Mitsubishi A-Series to PowerFlex 40 (F8171609)	F8044301 (Requires 3.2-inch motor pulley)
F220236 (F-391994-61)	Mitsubishi A-Series to 160-Series Retro Kit (F079897410)	F0370853-791

N/A = Part no longer available

** NOTE: Refer to *Motor Manufacturer's Part Number on the Motor's Nameplate* for help with determining your motor's number.

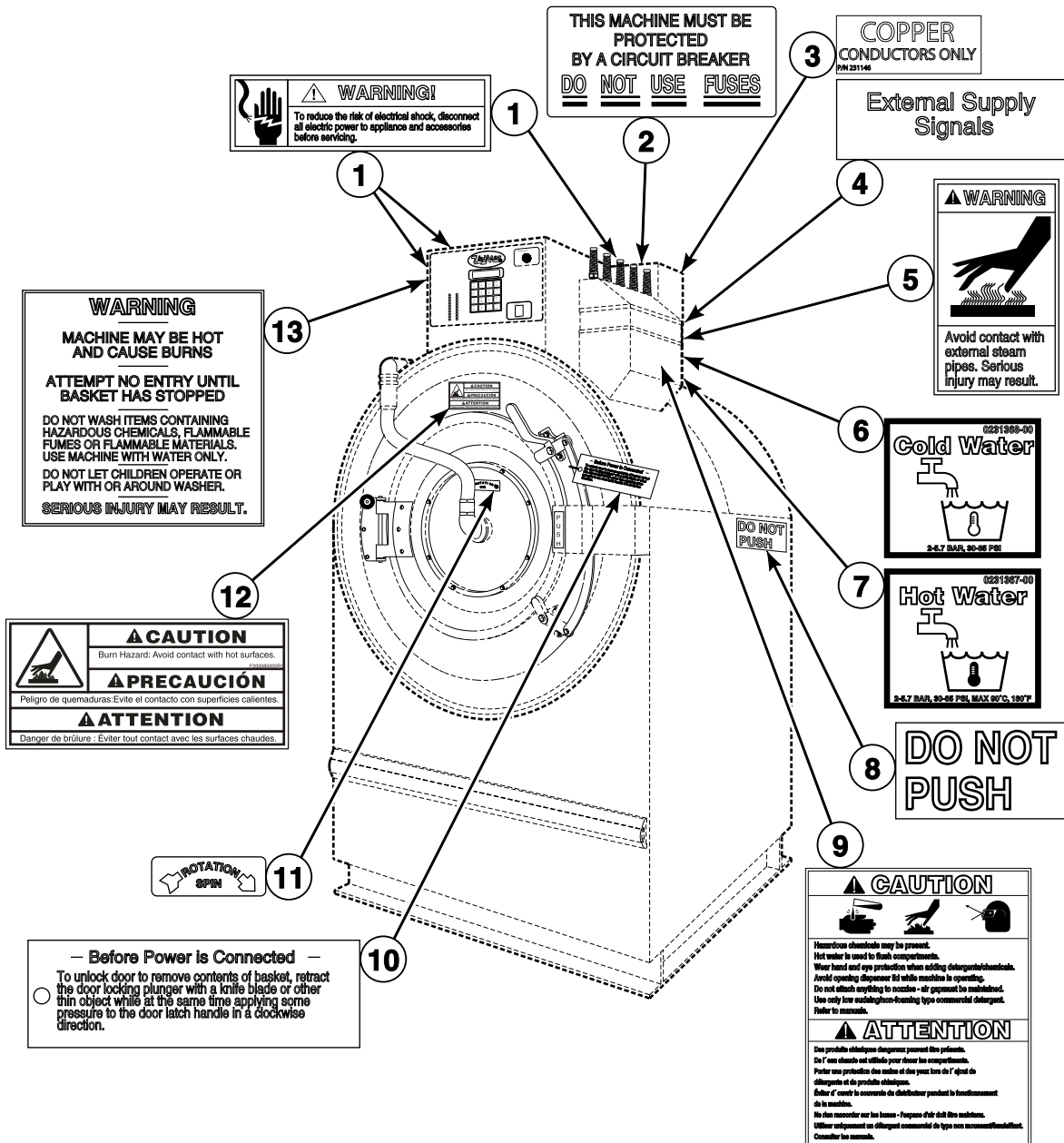
Product Info - Ordering AC Drives for Models UW50PVQU3, UW50PVTU3, UW60PVQU1 and UW60PVTU1

MOTOR (MANUFACTURER PART NO.)**	DRIVE RETROFIT KIT (PART NO.)	REPLACEMENT (USED IF DRIVE RETROFIT KIT HAS ALREADY BEEN INSTALLED)
F220214 (H309)	1305 to 160-Series Drive Retrofit Kit (F079894000)	F0370853-802
	1305 to 160-Series Drive Retrofit Kit with RFI/EMI Filter (F079894800)	
F220214 (A431)	1305 to 160-Series Drive Retrofit Kit (F079894200)	F0370853-803
	1305 to 160-Series Drive Retrofit Kit with RFI/EMI Filter (F079895000)	
F220434 (7965)	1305 to 160-Series Drive Retrofit Kit (F079894400)	F0370853-804
	1305 to 160-Series Drive Retrofit Kit with RFI/EMI Filter (F079895200)	
F220214M (9-391718-60)	1305 to 160-Series Drive Retrofit Kit with RFI/EMI Filter (F079893500)	F0370853-793
	1305 to PowerFlex 40 (F8171606)	N/A
F220214U (G68094)	1305 to 160-Series Drive Retrofit Kit with RFI/EMI Filter (F079894600)	F0370853-801
	1305 to PowerFlex 40 (F8171601)	N/A
F220236 (F-391994-61)	1305 to PowerFlex 40 (F8171610)	N/A

N/A = Part no longer available

** NOTE: Refer to *Motor Manufacturer's Part Number on the Motor's Nameplate* for help with determining your motor's part number.

Decals

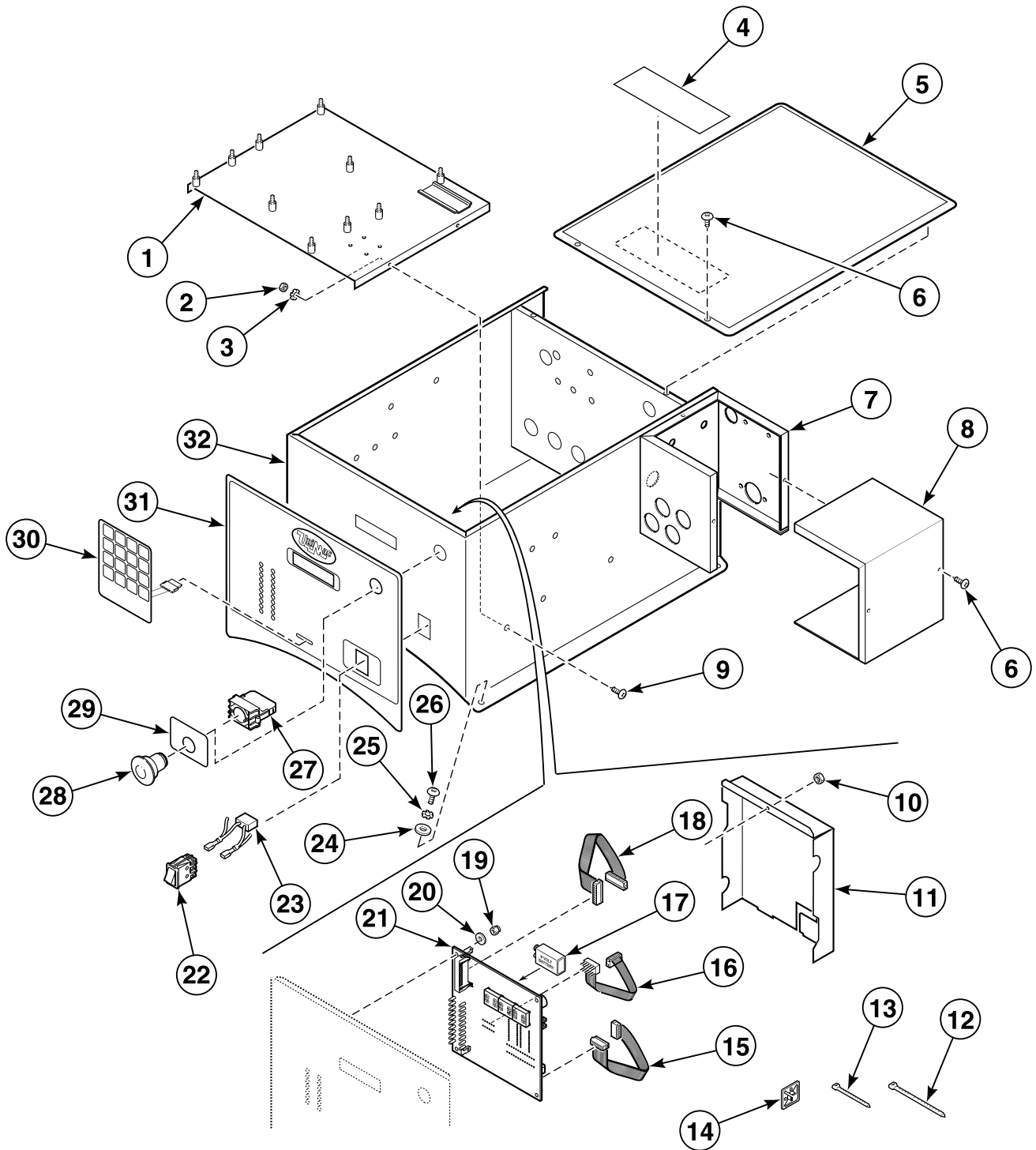


PHM2877P_F232108

Decals

REF	PART NO.	DESCRIPTION	COMMENTS
1	505281	Disconnect Power Warning Label	
2	F230301	This Machine Must Be Protected Decal	
3	F231146	Conductor Decal	
4	F230917-1	External Supply Connection Decal	
5	F231380	Hot Surface Warning Decal	
6	F231368	Cold Water Valve Decal	
7	F231367	Hot Water Valve Decal	
8	F230302	Do Not Push Decal	
9	F231436	Supply Dispenser Hazard Caution Decal	
10	F230501	Before Power Is Connected Tag	
11	F230652	Clockwise Spin Rotation Decal	
12	F200085000	Hot Surface Warning Decal	
13	F231065	Personal Injury Warning Decal	

Control Module - WE-6 Microprocessor (Drawing 1 of 5)



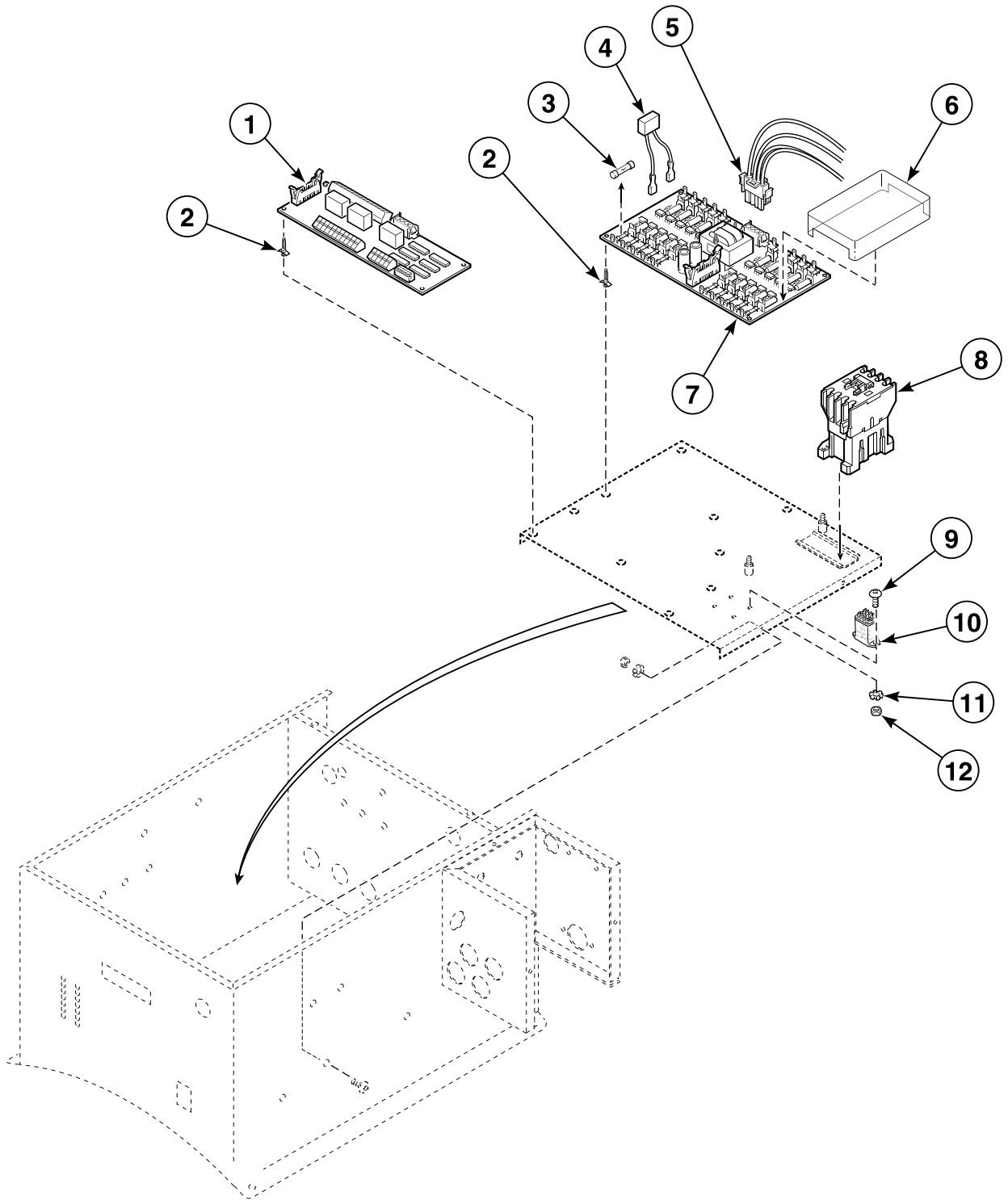
PHM2219P_F232108

Control Module - WE-6 Microprocessor (Drawing 1 of 5)

REF	PART NO.	DESCRIPTION	COMMENTS
1	F608385	Mounting Panel Assembly	
2	F431022	Nut	
3	F431113	Washer	
4	505281	Disconnect Power Warning Label	
5	F634558	Control Module Cover	
6	70240301	Screw	
7	F633434	External Supply Box	
8	F633435	External Supply Box Cover	
9	F430928	Screw	
10	F431000	Nut	
11	F606826	Computer Cover	
12	F140606	Cable Tie	15 inch
13	F140605	Cable Tie	6 inch
14	F140602	Tie Wrap Mounting Clamp	
15	F140218P	Ribbon Cable	16 pin; 12 inch; From interface cca to WE-6 computer
16	F140223P	Ribbon Cable	16 pin; 8 inch; From WE-6 computer to interface cca
17	F191101	Battery	9 Volt; Backup
18	F140219P	Ribbon Cable	26 pin; 15 inch; From WE-6 computer board to WE-6 output cca
19	F430231	Nut	
20	F431125	Washer	
21	F037062441P	WE-6 Computer	UWPV standard cycles
22	F340412	Momentary Switch	
23	F330217P	RC Network Filter	Includes 00454 Terminal and F141022 Connector
24	F431123	Washer	
25	F431108	Washer	
26	F8136401	Screw	
27	F340445	Contact Block Switch	800E-series
	F200233401	Contact Block Switch	800F-series
28	N/A	Emergency Stop Pushbutton	800E-series; Order F200233700P Emergency Stop Button Kit
	F200233700P	Emergency Stop Button Kit	Used to convert from 800E-series to 800F-series; Includes F200233401 Contact Block Switch and F200233500 Emergency Stop Pushbutton
	F200233500	Emergency Stop Pushbutton	800F-series
29	F231083	Emergency Stop Decal	
30	F230724P	Keypad Decal	
31	F230721	Control Module Decal	
32	F604711-2	Module Sub-Assembly	Includes items 7 and 8

N/A = Part no longer available

Control Module - WE-6 Microprocessor (Drawing 2 of 5)



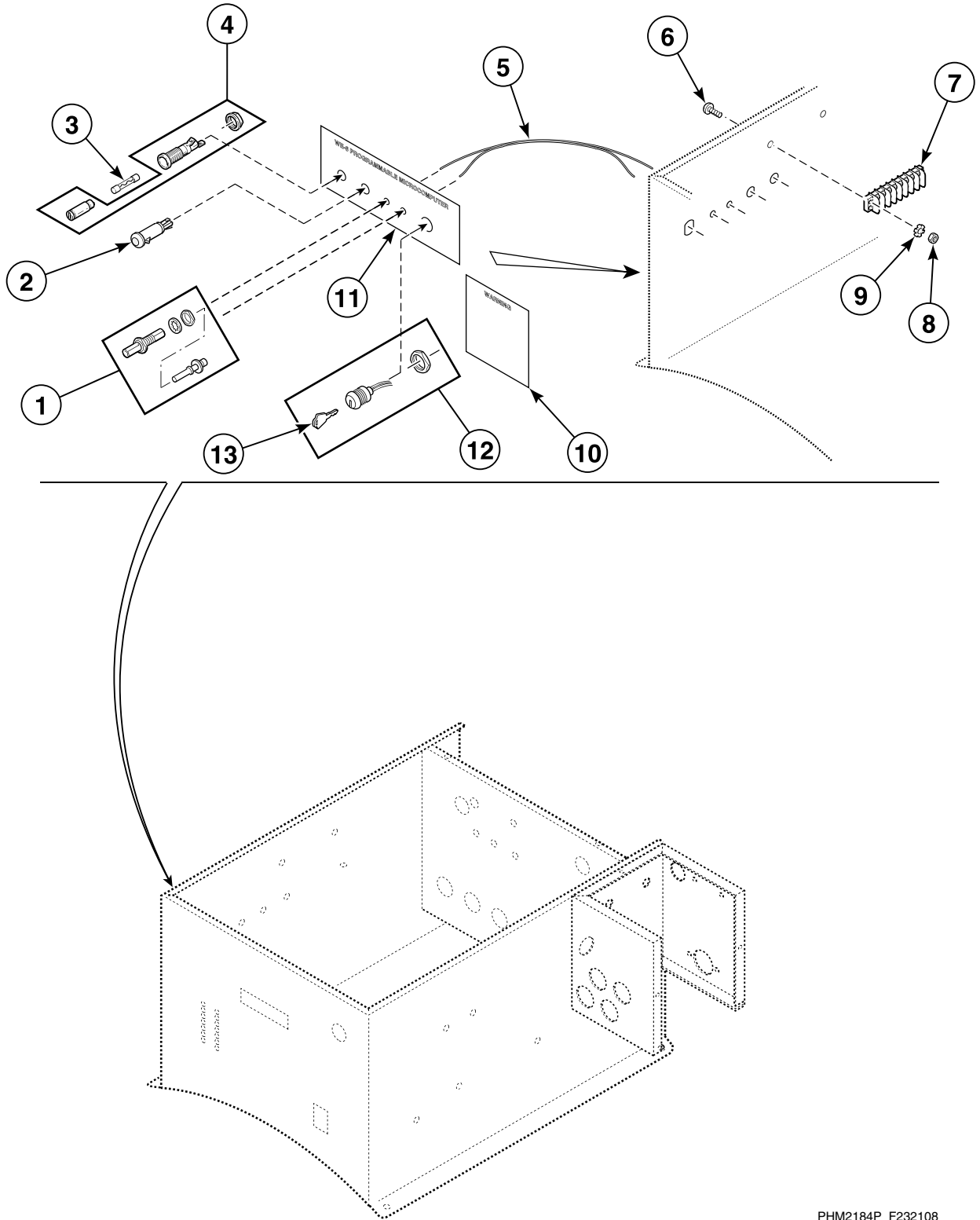
PHM2220P_F232108

Control Module - WE-6 Microprocessor (Drawing 2 of 5)

REF	PART NO.	DESCRIPTION	COMMENTS
1	F370446-1P	WE-6 Interface CCA Kit	
2	F180506	Standoff	
3	F350108	Fuse	.125 Amp
	F350109	Fuse	.5 Amp
	F350110	Fuse	1 Amp
	F350133	Fuse	1.25 Amp
	F350115	Fuse	3 Amp
4	F330217P	RC Network Filter	Includes 00454 Terminal and F141022 Connector
5	F784003P	Jumper Kit	
6	N/A	Dust Cover	
7	F0370444-10P	Output CCA	120 Volt
	F0370454-10P	Output CCA	220 Volt
8	F330178P	Contactora	Model UW50PV
	F330175P	Contactora	Models UW60PV, UW65PV and UW85PV; 120 Volt; C16
	F330177P	Contactora	Models UW60PV, UW65PV and UW85PV; 220 Volt; C16
9	F430928	Screw	
10	F330227	Flange Relay	120 Volt
	F330230	Flange Relay	220 Volt
11	F431113	Washer	
12	F430231	Nut	

N/A = Part no longer available

Control Module - WE-6 Microprocessor (Drawing 3 of 5)

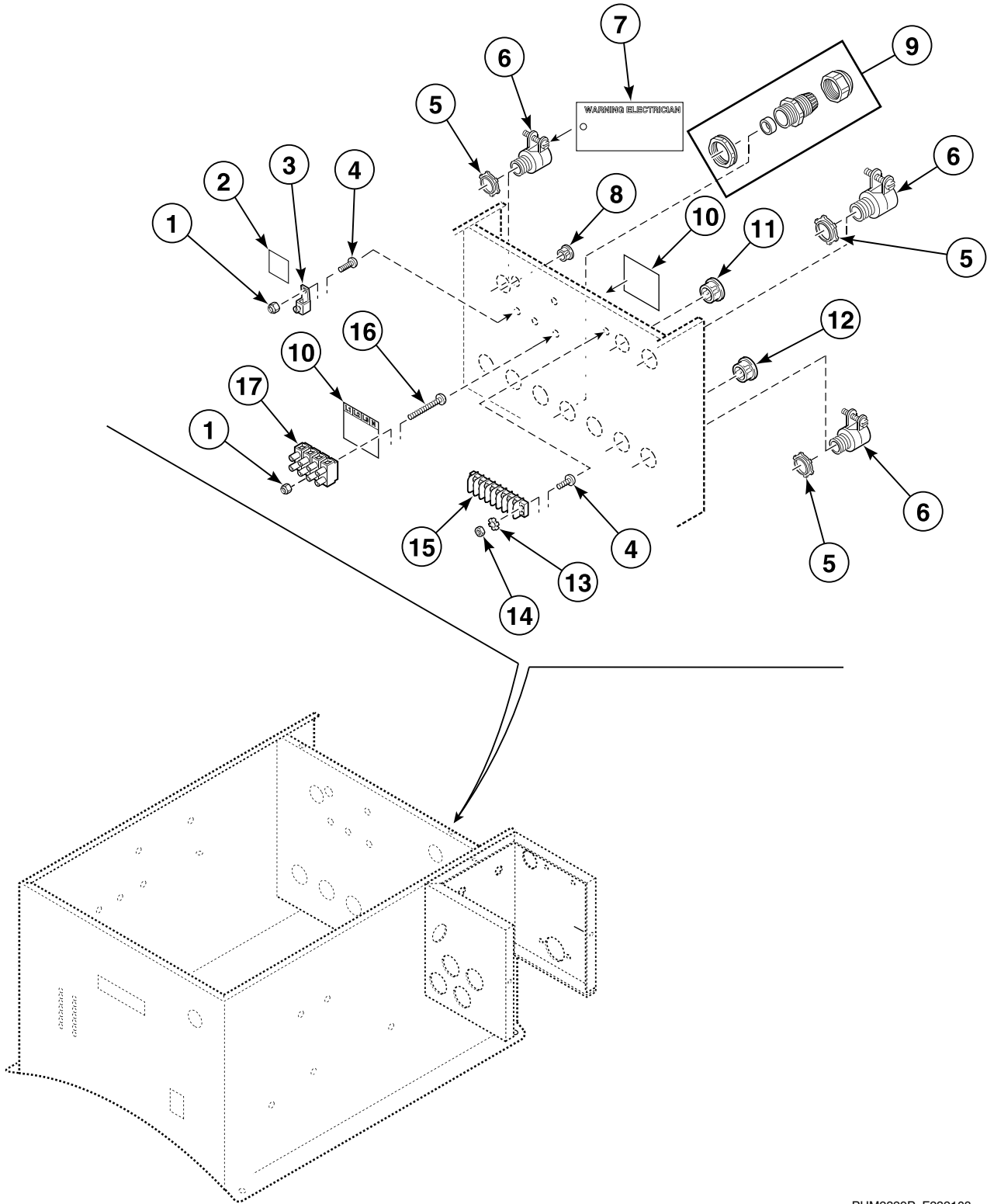


PHM2184P_F232108

Control Module - WE-6 Microprocessor (Drawing 3 of 5)

REF	PART NO.	DESCRIPTION	COMMENTS
1	F140575P	Connector	Gray
	F140576P	Connector	Blue
2	F350412	Light	120 Volt; Red
	F350404	Signal Light	220 Volt; Red
3	F350117	Fuse	2 Amp; Used only on some models
4	F350304P	Fuse Holder	Used only on some models
	F350210	Circuit Breaker	Used in place of items 3 and 4 on some models
5	F604713	Cable Assembly	15 inch
6	F430928	Screw	
7	F140738	Terminal Strip	
8	F430231	Nut	
9	M400014	Washer	
10	F231065	Personal Injury Warning Decal	
11	F230678	Keymode Decal	
12	F200174600P	Keymode Assembly	N and P-voltage models starting 10/7/04 and through 1/14/05; Includes item 13
	F340800P	Keymode Run/Program Switch	N and P-voltage models through 10/6/04 and starting 1/15/05 and all other voltage models; Includes item 13
13	F370709	Program Key	Key code A153

Control Module - WE-6 Microprocessor (Drawing 4 of 5)



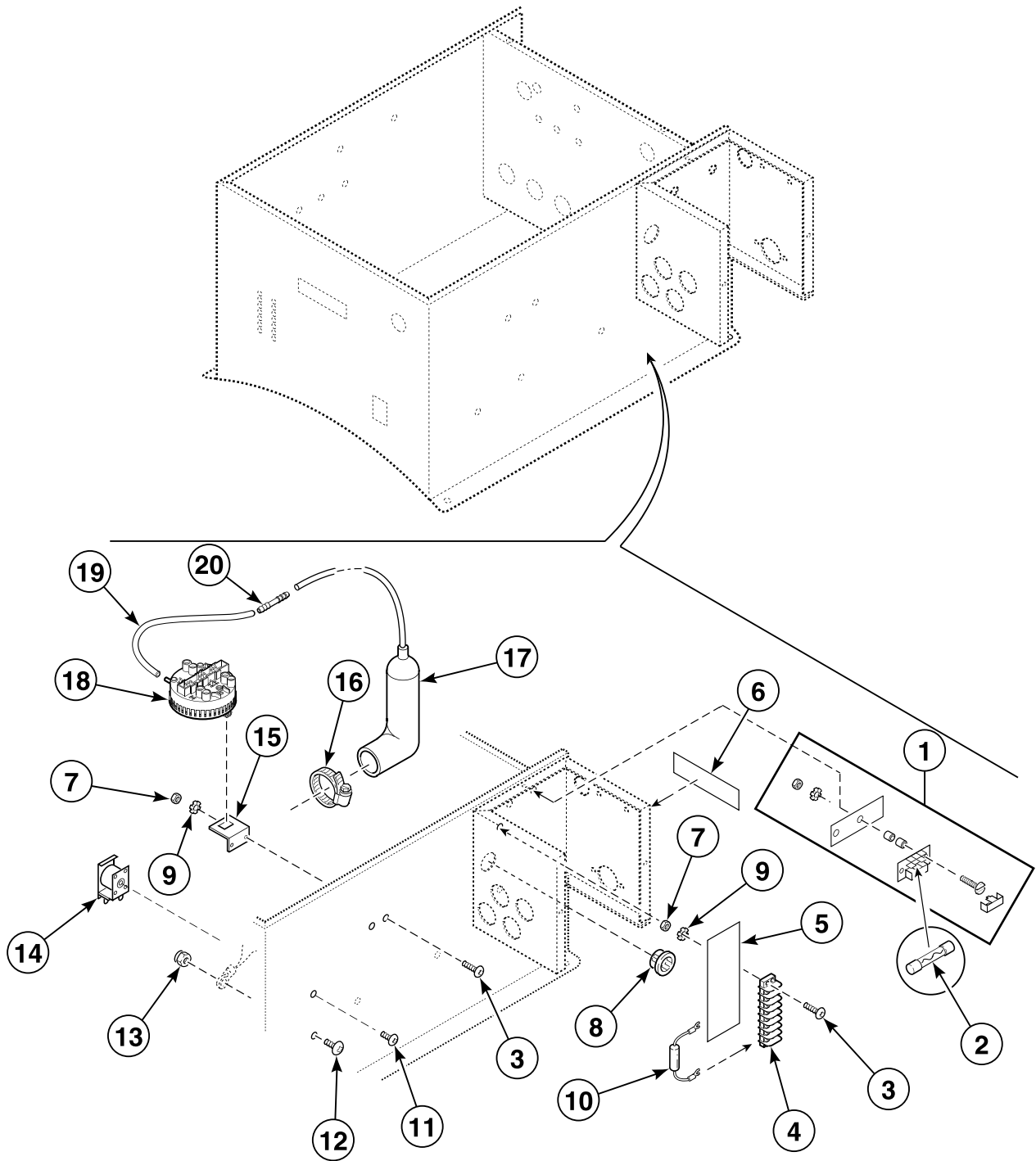
PHM2329P_F232108

Control Module - WE-6 Microprocessor (Drawing 4 of 5)

REF	PART NO.	DESCRIPTION	COMMENTS
1	F430231	Nut	
2	F230630	Ground Decal	
3	F140734	Ground Terminal Lug	
4	F430928	Screw	
5	F430265	Nut	
6	F140305	Connector	1/2 inch
7	N/A	Electric Warning Decal	
8	F140800	Bushing	
9	F140309	Connector	
10	F230677	Input Power Connector Decal	
11	F140527	Plug	
12	F140909	Insulator Bushing	
13	F431108	Washer	
14	F431006	Nut	
15	F140738	Terminal Strip	
16	F430938	Screw	
17	F140746	Input Power Block	

N/A = Part no longer available

Control Module - WE-6 Microprocessor (Drawing 5 of 5)

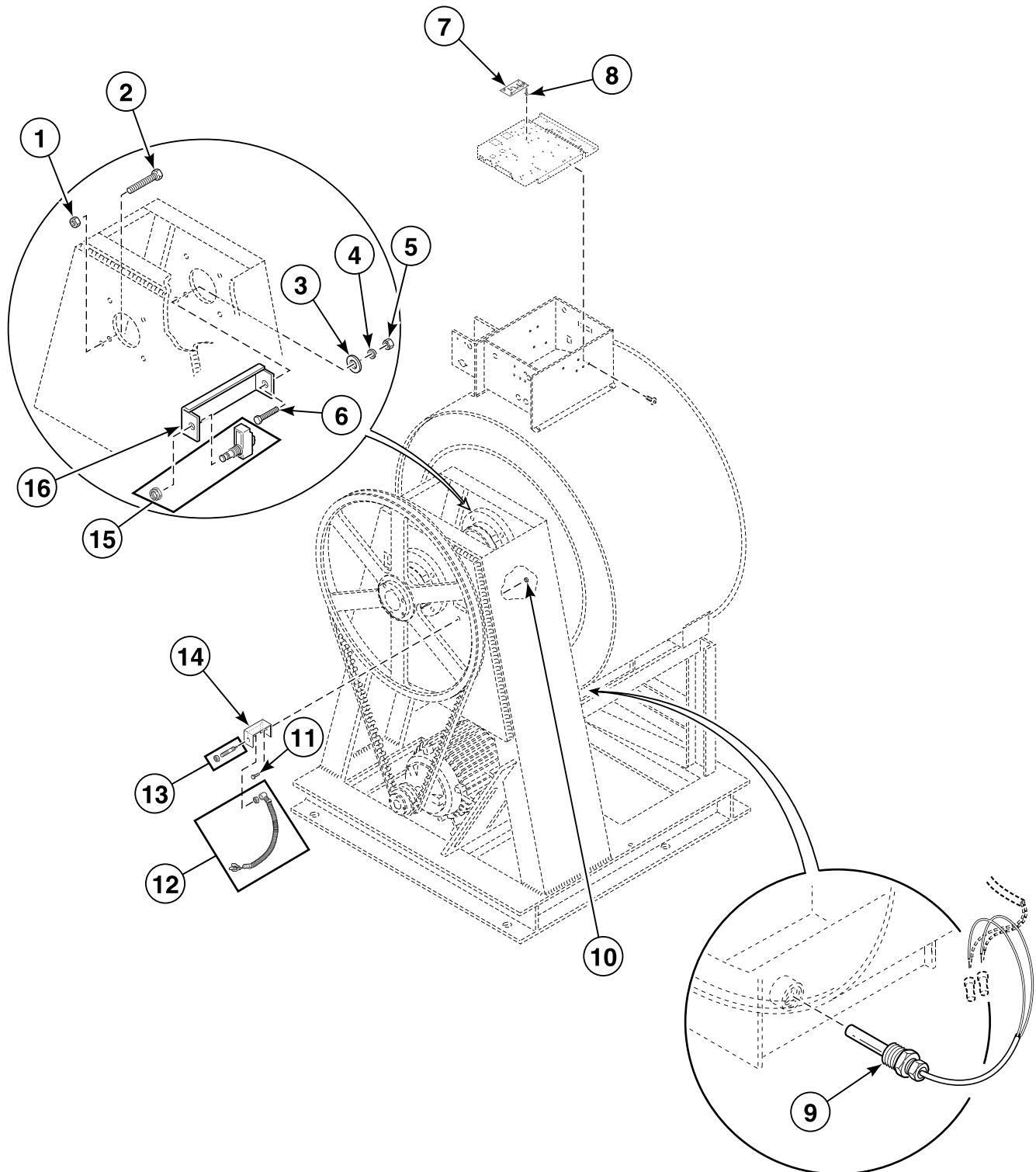


PHM2206P_F232108

Control Module - WE-6 Microprocessor (Drawing 5 of 5)

REF	PART NO.	DESCRIPTION	COMMENTS
1	F0350312-10	Fuse Holder	
2	F350115	Fuse	3 Amp
3	F430928	Screw	
4	F140738	Terminal Strip	
5	F230764	External Supply Decal	
6	F230606	External Supply Control Decal	
7	F431022	Nut	
8	F140909	Insulator Bushing	
9	F431113	Washer	
10	F610765P	Resistor Assembly	120 Volt; 6K
	F610766	Resistor Assembly	220 Volt; 12K
11	F430916	Screw	
12	F430920	Screw	
13	F431017	Nut	
14	F300203P	Buzzer	120 Volt
	F300206	Buzzer	220 Volt
15	F630242	Water Level Switch Bracket	
16	F200215	Hose Clamp	No. 28
17	F200163	Air Trap Hose	Model UW50PV
	F200142	Air Trap Hose	Models UW60PV, UW65PV and UW85PV
18	F0340347-10P	Water Level Switch	Single water level switch
	F340308P	Water Level Switch	Dual water level switch; Low
	F340309P	Water Level Switch	Dual water level switch; High
19	F422404P	Tubing	
20	F422500	Connector	

Balance Switch, Temperature Probe and Rotation Sensor

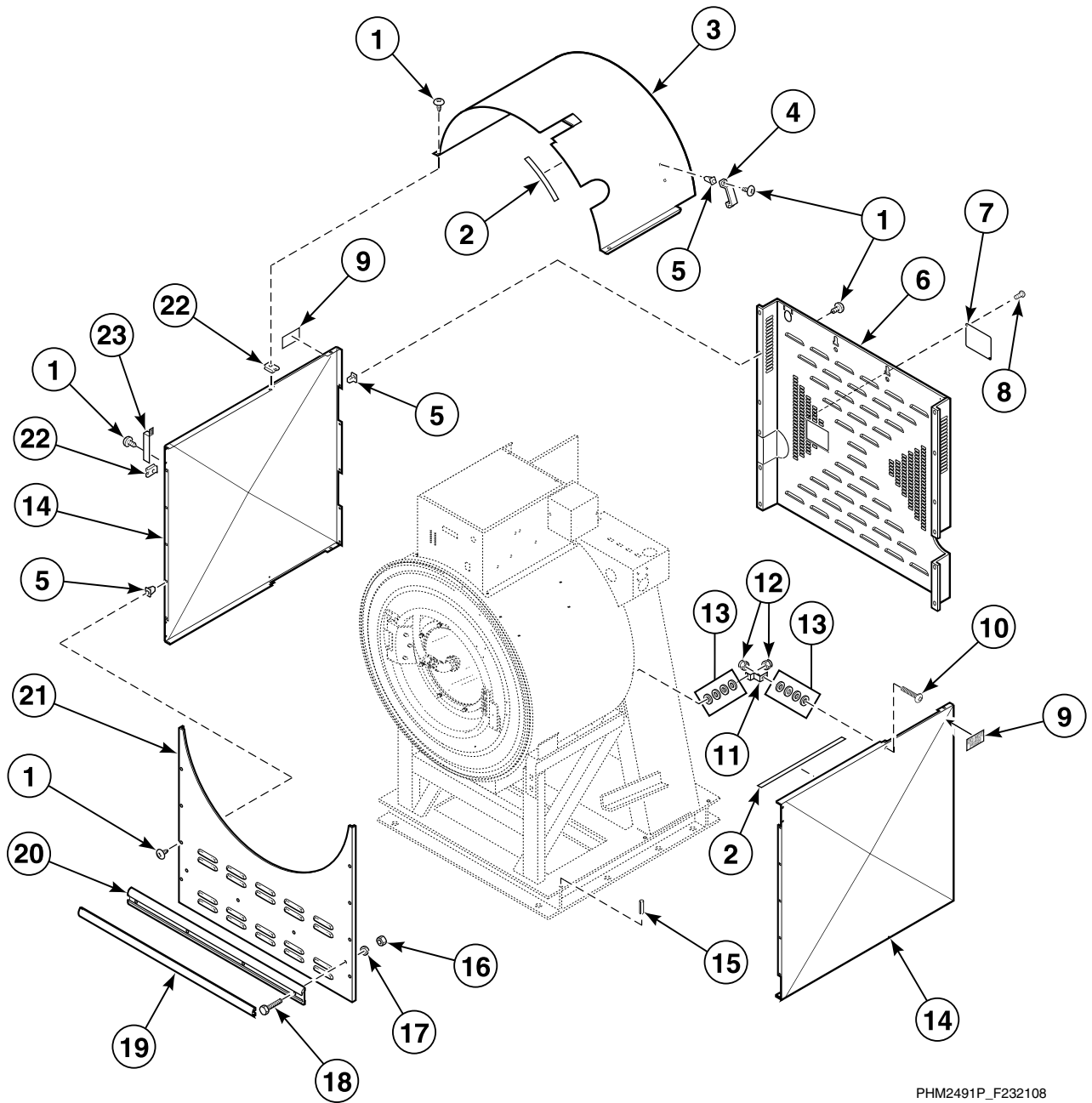


PHM2503P_F232108

Balance Switch, Temperature Probe and Rotation Sensor

REF	PART NO.	DESCRIPTION	COMMENTS
1	H88412101	Nut	
2	F430124	Screw	Models UW50PV, UW65PV and UW85PV
	F0430540-00	Bolt	Model UW60PV
3	M400081	Washer	
4	M400014	Washer	
5	20274	Nut	
6	800461	Screw	
7	F200101300P	Rotation Sensor PCB	
8	F180501	Standoff	
9	F370606P	Temperature Probe	
10	F430218	Nut	
11	F430927	Screw	
12	F8066401	Rotation Sensor Harness	
13	F200126200P	Rotation Sensor Assembly	
	F079900800	Rotation Sensor Retrofit Kit	Includes items 7, 8, 10-12 and 14
14	F200122502	Rotation Sensor Bracket	
15	F340906	Microswitch	Model UW50PV
	F340900	Interlock Switch	Models UW60PV, UW65PV and UW85PV
	F340921	Switch	Models UW60PV, UW65PV and UW85PV; CE models
	F340924	Switch Extension	Models UW60PV, UW65PV and UW85PV; CE models; Use with F340921 Switch
16	F601750	Balance Switch Bracket	

Front, Side and Rear Panels

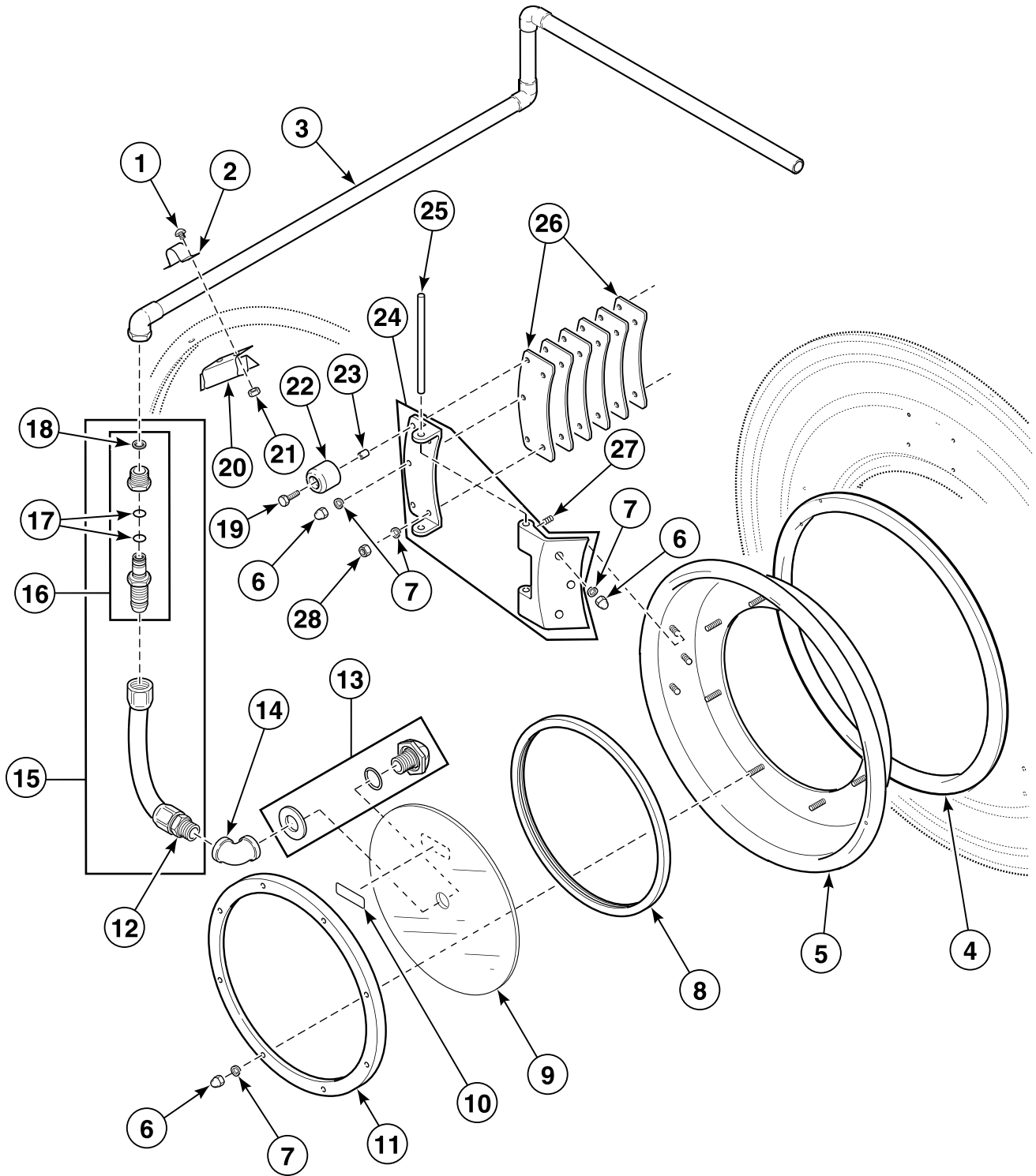


PHM2491P_F232108

Front, Side and Rear Panels

REF	PART NO.	DESCRIPTION	COMMENTS
1	F430956	Screw	
2	F170400RP	Trim	
3	F630115	Cage Wrap Assembly	Model UW50PV; Models that do not require a cut-out for the AC drive box
	F633205	Cage Wrap Assembly	Model UW60PV; UW50PV models that require a cut-out for the AC drive box
	N/A	Cage Wrap Kit	Model UW65PV
	F757800	Cage Wrap Kit	Model UW85PV
4	F605324	Hose Strap	
5	F0431807-00	Nut	
6	F200187900P	Rear Panel	Models UW50PV and UW60PV
	F200188000P	Rear Panel	Models UW65PV and UW85PV
7	F200188300	Belt Inspection Port Cover	
8	70240301	Screw	
9	F230302	Do Not Push Decal	
10	F432234	Screw	
11	F601982	Side Panel Bracket	
12	F430215	Nut	
13	F430317	Washer	
14	F609743P	Side Panel	Model UW50PV; Reversible
	F630323	Side Panel	Model UW60PV; Reversible
	F602893	Left Side Panel	Model UW65PV
	F602894	Left Side Panel	Model UW85PV
	F602009	Right Side Panel	Model UW65PV
	F602010P	Right Side Panel	Model UW85PV
15	F430415	Pin	
16	F430211	Nut	
17	F431100	Washer	
18	F430921	Screw	
19	F150397	Extrusion Insert	Models UW50PV and UW60PV; Order 3 feet
20	F150408	Rub Rail	Models UW50PV and UW60PV
	F601236	Rub Rail	Models UW65PV and UW85PV
21	F609744P	Front Panel	Models UW50PV and UW60PV
	F601198P	Front Panel	Models UW65PV and UW85PV
22	F430264	Nut	
23	F606667	Side Panel Cover	

Door and Spray Tube

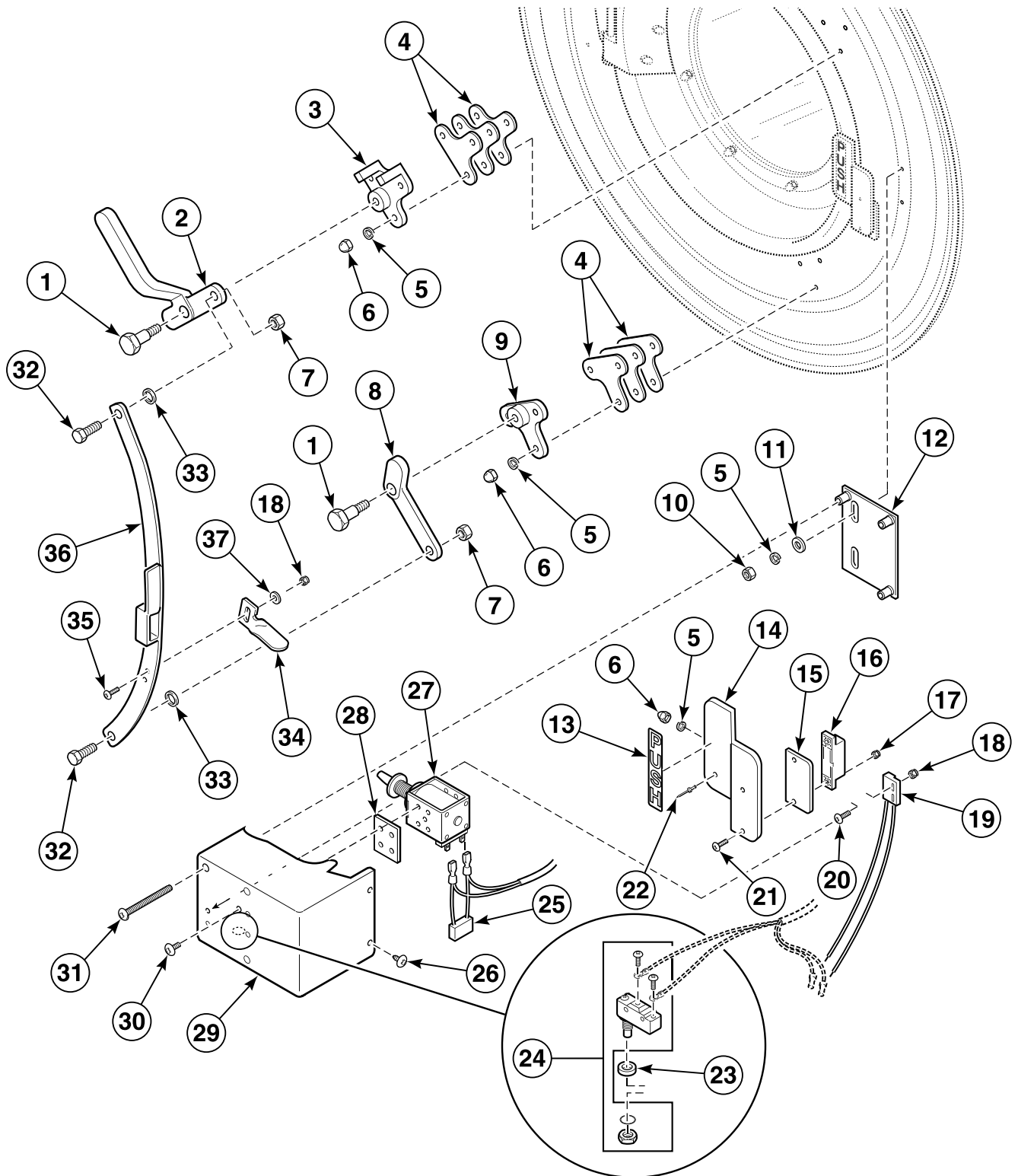


PHM2878P_F232108

Door and Spray Tube

REF	PART NO.	DESCRIPTION	COMMENTS
1	F430917	Screw	
2	F602880	Spray Rinse Strap	
3	F610364	Spray Rinse Tube Assembly	
4	F170145	Door Gasket	Black
	F017014501	Door Gasket	Gray
5	F730307	Door Kit	
	F730539	Door Kit	Models UW50PV and UW60PV; Includes items 4, 8, 9, 11, 24, door, door push brace, handle, magnet and sealant
	F730540	Door Kit	Models UW65PV and UW85PV; Includes items 4, 6-9, 11, 24, 27, door, door push brace, push decal, handle, magnet and sealant
6	F431026	Nut	
7	F431100	Washer	
8	F170117	Door Glass Gasket	
9	F290200P	Door Glass Kit	
10	F230652	Clockwise Spin Rotation Decal	
11	F601239	Door Glass Retainer	
12	F422109	No-Swivel Coupling	
13	F730077	Spray Rinse Nozzle Kit	
14	F422319	Elbow	
15	F730026	Spray Rinse Hose Assembly	Models UW50PV and UW60PV; Includes items 12, 16 and 17
	F730024	Spray Rinse Hose Kit	Models UW65PV and UW85PV; Includes items 12, 16 and 17
16	F422108	Swivel Coupling	Includes items 17 and 18
17	F170200	O-Ring	
18	F310206	Ring Retainer	
19	F430103	Screw	
20	F602901P	Spray Rinse Bracket Assembly	Includes items 1 and 21
21	F431022	Nut	
22	F150366	Door Bumper Moulding	
23	F430416	Door Bumper Bushing	
24	F200030600P	Door Hinge Strap Kit	
25	F601815	Door Hinge Pin	
26	F0610695-00	Door Butt Shim	
27	F430502	Screw	
28	20274	Nut	

Door Lock

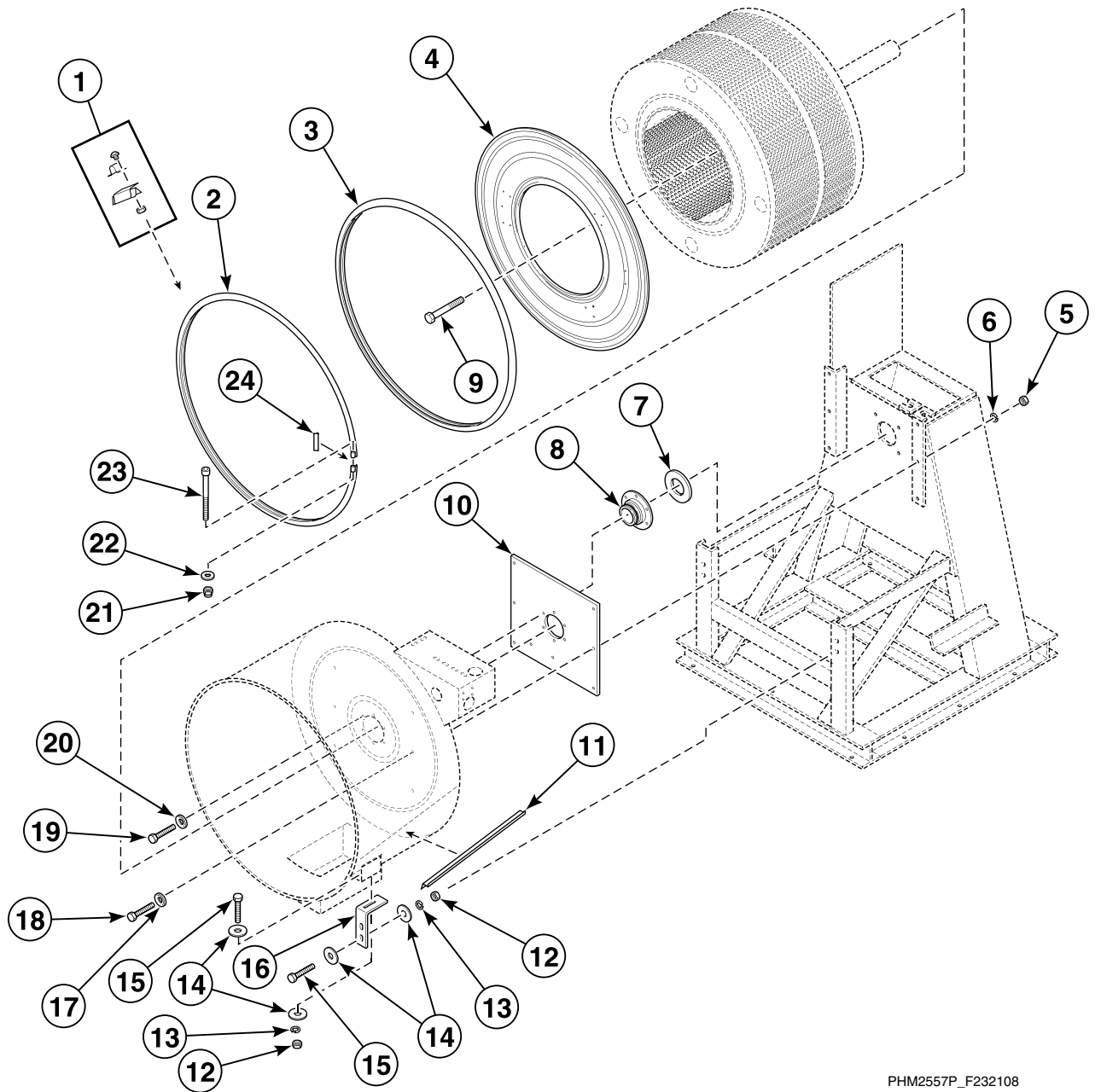


PHM2164P_F232108

Door Lock

REF	PART NO.	DESCRIPTION	COMMENTS
1	F430168	Screw	
2	F150203	Door Handle Casting	
3	F150201P	Top Latch Bracket Casting	
4	F602058	Door Latch Bracket Shim	
5	F431100	Washer	
6	F431026	Nut	
7	F431002	Nut	Models UW50PV and UW60PV
	20274	Nut	Models UW65PV and UW85PV
8	F150204	Lower Door Latch Casting	
9	F150202	Lower Door Latch Bracket Casting	
10	F431002	Nut	
11	F431142	Washer	
12	F605525	Door Box Mounting Plate Assembly	Models UW50PV and UW60PV
	F746806	Door Box Mounting Plate Kit	Models UW65PV and UW85PV
13	F230303	Push Decal	
14	F746201-1	Push Handle Kit	Includes items 13, 16, 17 and 21
15	F609822	Handle Spacer	Used as needed
16	F340703	Magnet	
17	F430232	Nut	
18	F430231	Nut	
19	F0340723-00	Magnetic Switch	120 Volt
	F200321200	Magnetic Switch Assembly	220 Volt
20	F430917	Screw	
21	F430909	Screw	
22	F431210	Pop Rivet	
23	F601055	Interlock Switch Spacer	
24	F340900	Interlock Switch	
	F340906	Microswitch	CE models; Includes rubber boot
25	F330217P	RC Network Filter	Includes 00454 Terminal and F141022 Connector
26	F430956	Screw	
27	F300118P	Door Lock Solenoid	120 Volt
	F300129P	Door Lock Solenoid	220 Volt
28	F609728	Solenoid Spacer	
29	F606630	Door Box	
	F603665	Door Box Assembly	120 Volt; Includes items 18-20, 27 and 30
	F603666P	Door Box Assembly	220 Volt; Includes items 18-20, 27 and 30
30	F430995	Screw	
31	F430921	Screw	
32	F430927	Screw	
33	F431118	Washer	
34	F601639	Extension Arm Tab	
35	F430916	Screw	
36	F746803	Extension Arm Kit	Models UW50PV and UW60PV; Includes items 7, 18, 32-35 and 37
	F602256	Door Extension Arm	Models UW65PV and UW85PV; Models with 2 door boxes
	F746804	Extension Arm Kit	Models UW65PV and UW85PV; Models with 1 door box
37	F431108	Washer	

Basket, Shell and Frame (Drawing 1 of 2)



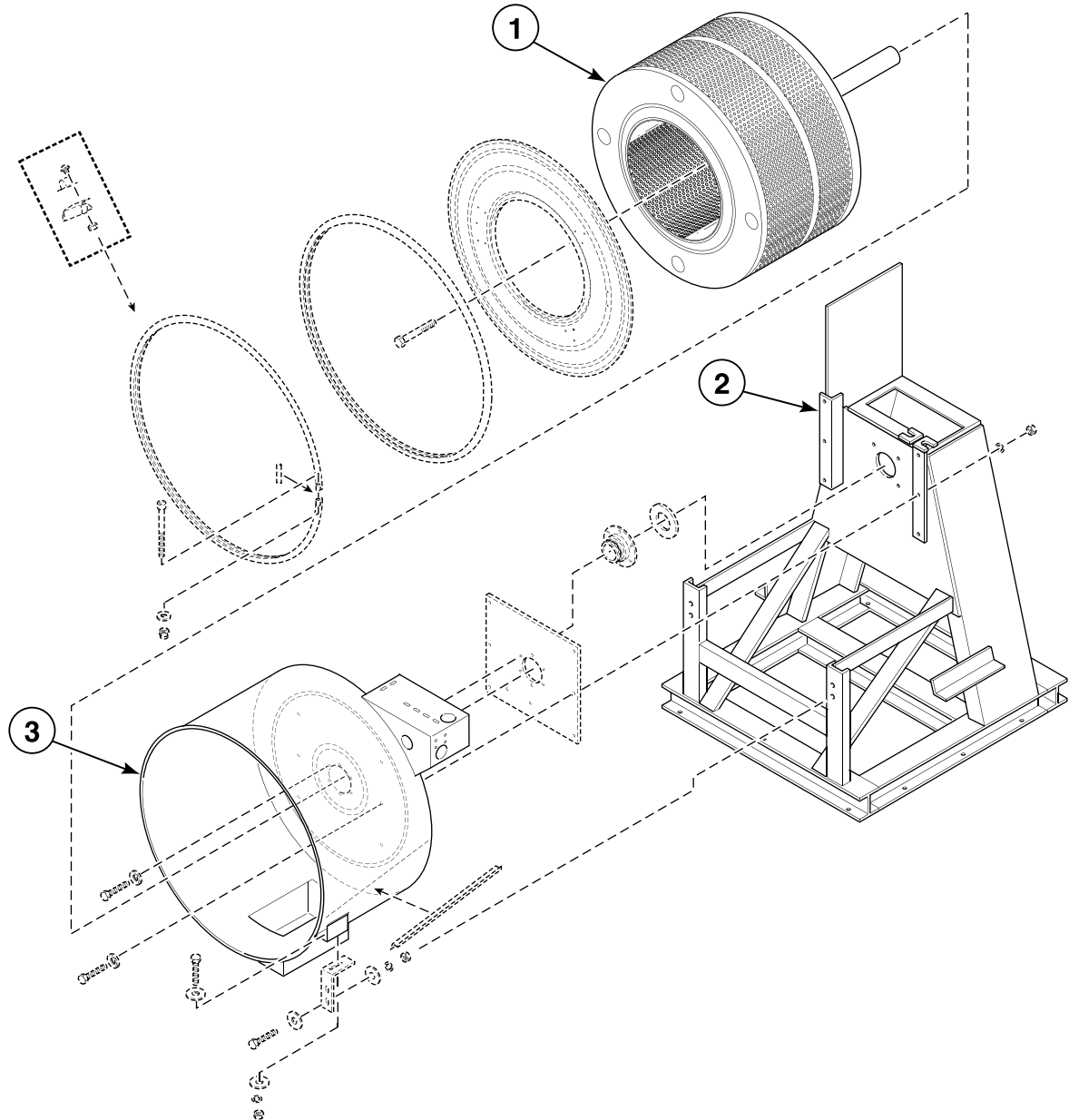
PHM2557P_F232108

Basket, Shell and Frame (Drawing 1 of 2)

REF	PART NO.	DESCRIPTION	COMMENTS
1	F602901P	Spray Rinse Bracket Assembly	Includes F430917 Screw and F431022 Nut
2	F603344P	Shell Band Assembly	Models UW50PV and UW60PV
	F603910	Shell Band Assembly	Models UW65PV and UW85PV; Top
	F603911	Shell Band Assembly	Models UW65PV and UW85PV; Bottom
3	F170120RP	Shell Band Gasket	
4	F200119900P	Shell Front Assembly	Models UW50PV and UW60PV; Includes shell front weldment, top latch bracket casting, lower door latch bracket casting, door latch shim, door butt, door butt shim, door bumper and door bumper bushing
	F8135801P	Shell Front Weldment	Models UW50PV and UW60PV
	F741303P	Shell Front Kit	Models UW65PV and UW85PV; 2 door box; Includes item 3, warning plate and rivet
	F741308P	Shell Front Kit	Models UW65PV and UW85PV; 1 door box; Includes item 3, warning plate and rivet
5	70142	Nut	
6	M400013	Washer	
7	F100203	Slinger	Models UW50PV and UW60PV
	F100204	Slinger	Models UW65PV and UW85PV
8	F8162101	Face Seal	Models UW50PV and UW60PV
	F798819-00	Seal Kit	Models UW50PV and UW60PV; Includes items 3, 7, 18, 19, 21, 22, F430211 Nut, F431005 Nut, F431100 Washer, F410102 Clear Sealant and F431210 Pop Rivet
	F8162001	Face Seal	Models UW65PV and UW85PV
	F798827-00	Seal Kit	Models UW65PV and UW85PV; Includes items 3, 7, 19, 20, F410102 Clear Sealant, F430211 Nut, F430317 Washer, F430500 Screw and F431210 Pop Rivet
9	N/A	Screw	Models UW50PV, UW60PV and UW85PV
	F430936	Screw	Model UW65PV
10	F8084201	Shell Reinforcement Plate Assembly	Includes F150389 Scupper, F431217 Pop Rivet, F200107 Water Hose, 36801 Hose Clamp and F410102 Clear Sealant
11	F150408	Rub Rail	Attaches with silicone
12	20274	Nut	
13	M400014	Washer	
14	M400081	Washer	
15	800461	Screw	Models UW50PV and UW60PV
	F430924	Screw	Models UW65PV and UW85PV
16	F601806	Shell Mounting Bracket	Models UW50PV and UW60PV
	N/A	Shell Mounting Bracket	Models UW65PV and UW85PV
17	F431116	Washer	Models UW50PV and UW60PV
	M400081	Washer	Models UW65PV and UW85PV
18	F430924	Screw	
19	F430935	Screw	
20	F431112	Washer	
21	F430215	Nut	
22	F430317	Washer	
23	F430500	Screw	
24	F601216	Shell Gasket Shield	

N/A = Part no longer available

Basket, Shell and Frame (Drawing 2 of 2)



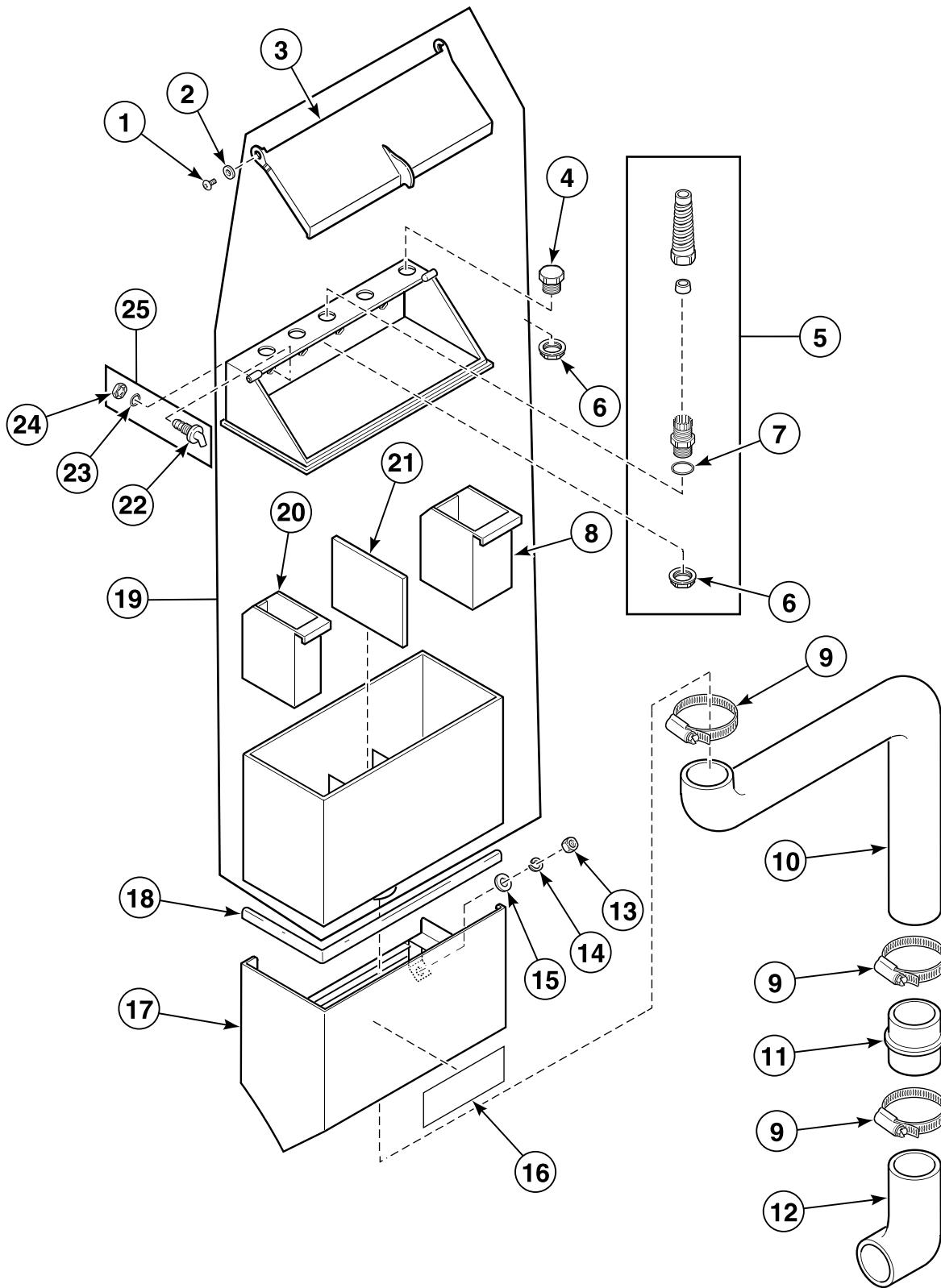
PHM2557PA_F232108

Basket, Shell and Frame (Drawing 2 of 2)

REF	PART NO.	DESCRIPTION	COMMENTS
1	F603427	Basket Assembly	Model UW50PV
	F632015	Basket Assembly	Model UW60PV
	N/A	Basket Assembly	Model UW65PV
	F603697	Basket Assembly	Model UW85PV
2	F601921	Frame Assembly	Model UW50PV
	N/A	Frame Assembly	Model UW60PV
	F601560	Frame Assembly	Model UW65PV
	F604890	Frame Assembly	Model UW85PV
3	F603424	Shell Assembly	Model UW50PV; Standard
	F603555	Shell Assembly	Model UW50PV; Electric heat
	F603554	Shell Assembly	Model UW50PV; Steam heat
	F634436	Shell Weldment	Model UW60PV; Standard
	N/A	Shell Weldment	Model UW60PV; Dry starch
	F0633208-01	Shell Weldment	Model UW60PV; Electric heat
	N/A	Shell Weldment	Model UW65PV
	F603731	Shell Assembly	Model UW85PV

N/A = Part no longer available

Supply Dispenser - Model UW50PV

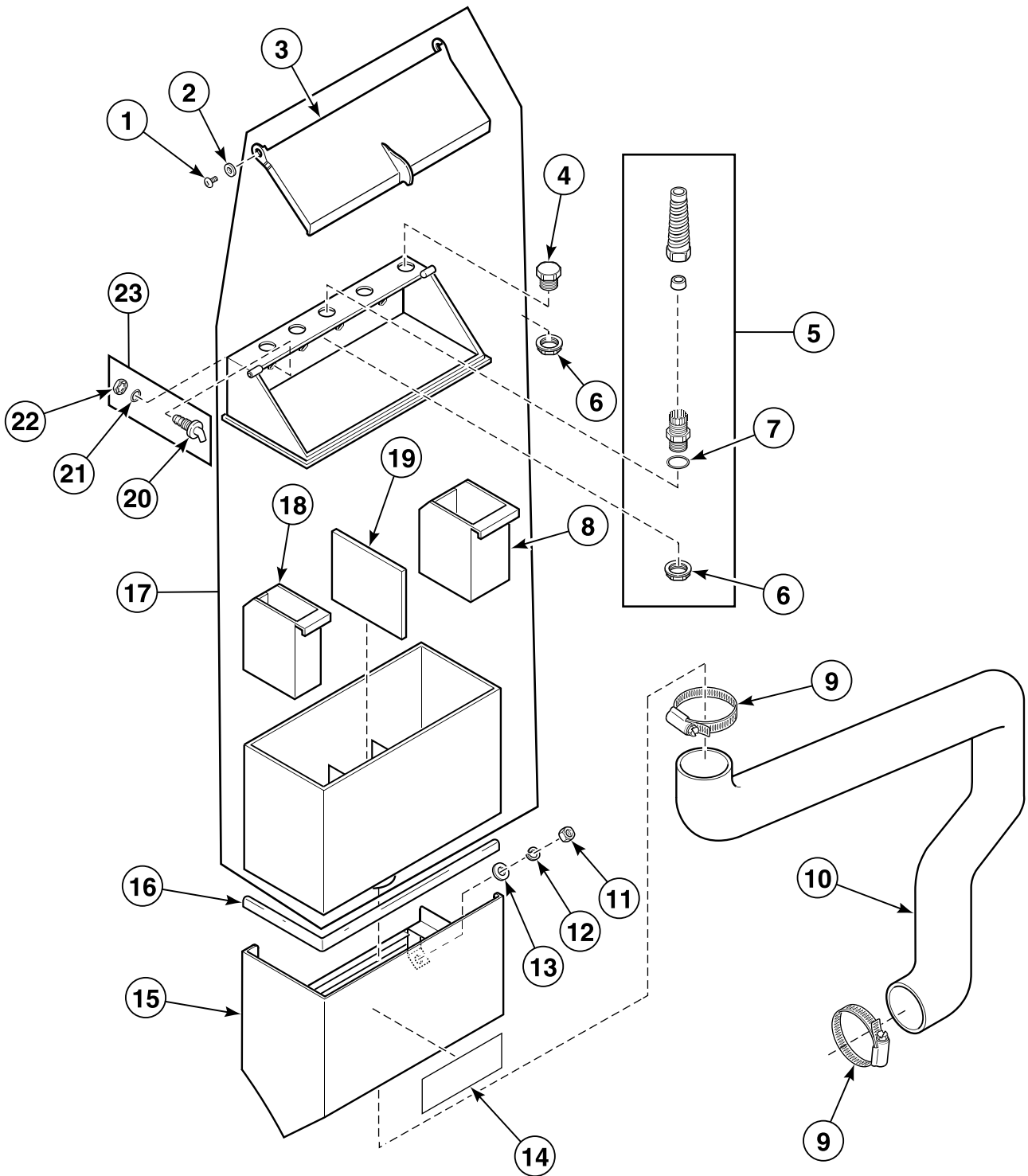


PHM2649P_F232108

Supply Dispenser - Model UW50PV

REF	PART NO.	DESCRIPTION	COMMENTS
1	F430917	Screw	
2	F8195301	Washer	
3	F0150514-00	Dispenser Lid	
4	F190304	Plug Cap	
5	F749802	Strain Relief Adapter Kit	Includes items 6 and 7
6	F140340P	Strain Relief Connector	Includes F0431160-00 Nut
7	F170215	O-Ring	
8	F150386	Chemical Supply Cup	32 ounce
9	F200213	Hose Clamp	No. 40
10	F150392	Chemical Supply Hose	
11	F0602364-06	Pipe	
12	F150391	Lower Hose	
13	F431005	Nut	
14	F431100	Washer	
15	F431147	Washer	
16	F231436	Supply Dispenser Hazard Caution Decal	
17	F8024301	Soap Dispenser Shroud Weldment	
18	F170400RP	Trim	
19	F0150512-00P	Dispenser Assembly	Includes items 3, 8, 20 and 21
20	F150385	Chemical Supply Cup	20 ounce
21	F0150525-00	Supply Dispenser Spacer	
22	F8322001	Injection Nozzle	
23	F170208	O-Ring	
24	802292	Nut	
25	F730168	Injection Nozzle Kit	Includes items 22-24

Supply Dispenser - Model UW60PV, UW65PV and UW85PV

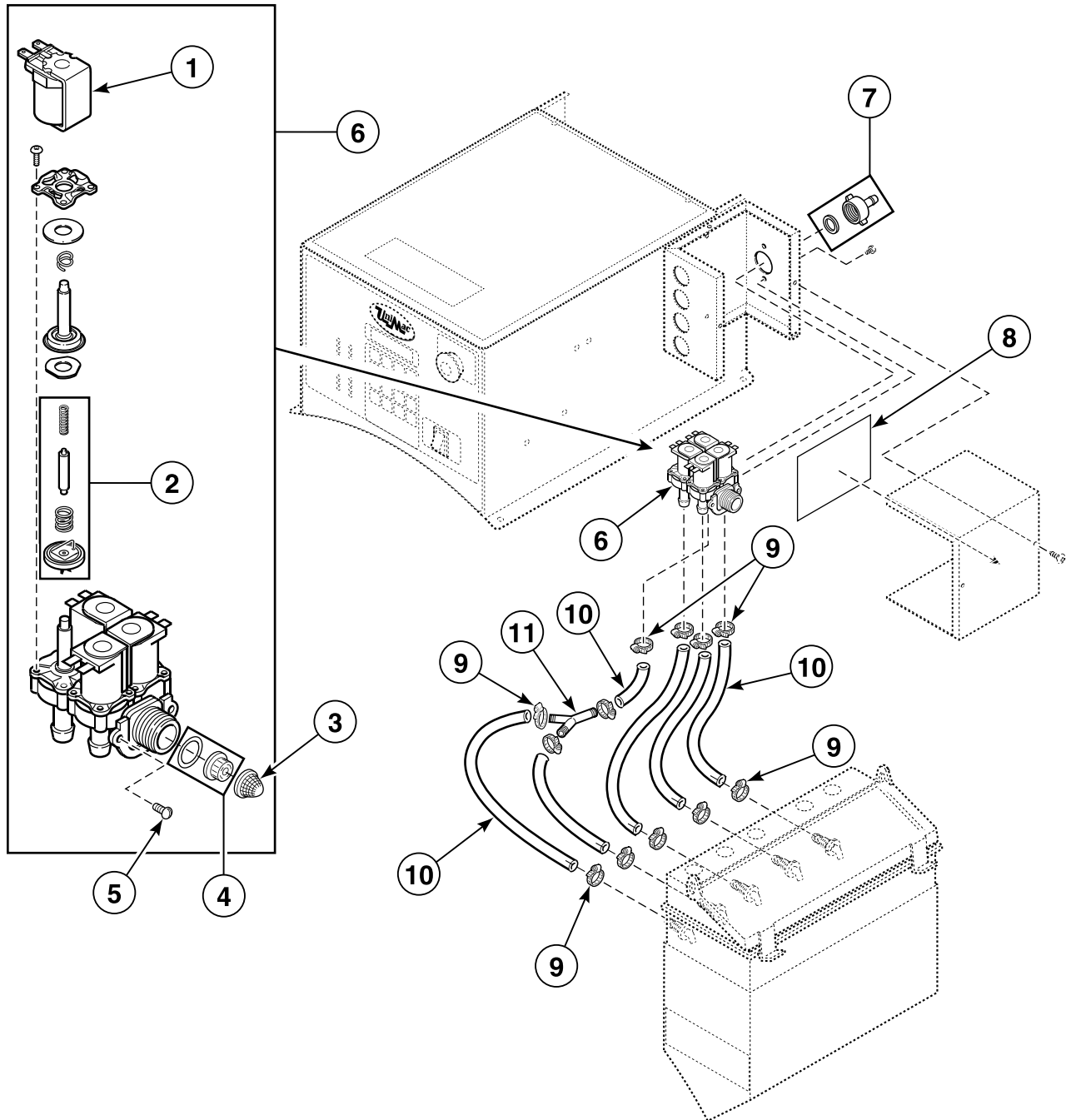


PHM2281P_F232108

Supply Dispenser - Model UW60PV, UW65PV and UW85PV

REF	PART NO.	DESCRIPTION	COMMENTS
1	F430917	Screw	
2	F8195301	Washer	
3	F0150514-00	Dispenser Lid	
4	F190304	Plug Cap	
5	F749802	Strain Relief Adapter Kit	Includes items 6 and 7
6	F140340P	Strain Relief Connector	Includes F0431160-00 Nut
7	F170215	O-Ring	
8	F150386	Chemical Supply Cup	32 ounce; 2 required
9	F200213	Hose Clamp	No. 40
10	F150469	Chemical Supply Hose	Models UW60PV and UW65PV
	F150471	Chemical Supply Hose	Model UW85PV
11	F431005	Nut	
12	F431100	Washer	
13	F431147	Washer	
14	F231436	Supply Dispenser Hazard Caution Decal	
15	F8024301	Soap Dispenser Shroud Weldment	
16	F170400RP	Trim	
17	F0150512-00P	Dispenser Assembly	Includes items 3, 8, 18 and 19
18	F150385	Chemical Supply Cup	20 ounce; 3 required
19	F0150525-00	Supply Dispenser Spacer	
20	F380300	Injection Nozzle	
21	F170208	O-Ring	
22	802292	Nut	
23	F730168	Injection Nozzle Kit	Includes items 20-22

Water Supply Valve and Hoses to Supply Dispenser - Mueller Valve



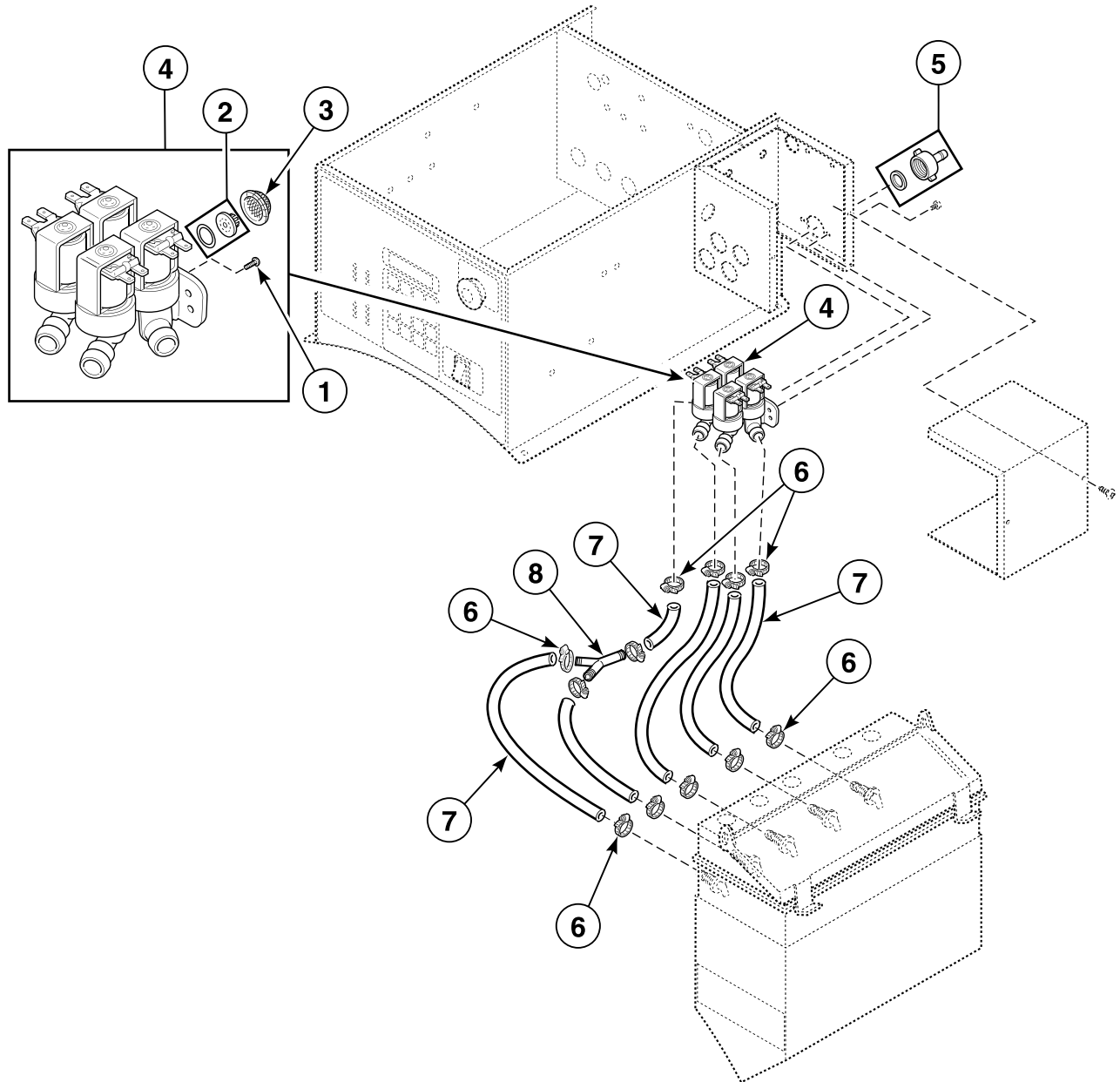
PHM2215P_F232108

Water Supply Valve and Hoses to Supply Dispenser - Mueller Valve

REF	PART NO.	DESCRIPTION	COMMENTS
1	F380900	Coil	120 Volt
	F380917	Coil	220 Volt
2	F380938	Valve Repair Kit	
3	F270200	Strainer	
4	N/A	Flow Restrictor	
5	F430948	Screw	
6	F380715P	4-Way Valve	120 Volt
	F380725P	4-Way Valve	220 Volt
7	F200302	Hose Connector	
8	F230754	Water Valve Assembly Decal	
9	36801	Hose Clamp	No. 6
10	F200110P	Water Hose	
11	F422816	Y Connector	

N/A = Part no longer available

Water Supply Valve and Hoses to Supply Dispenser - Elbi Valve



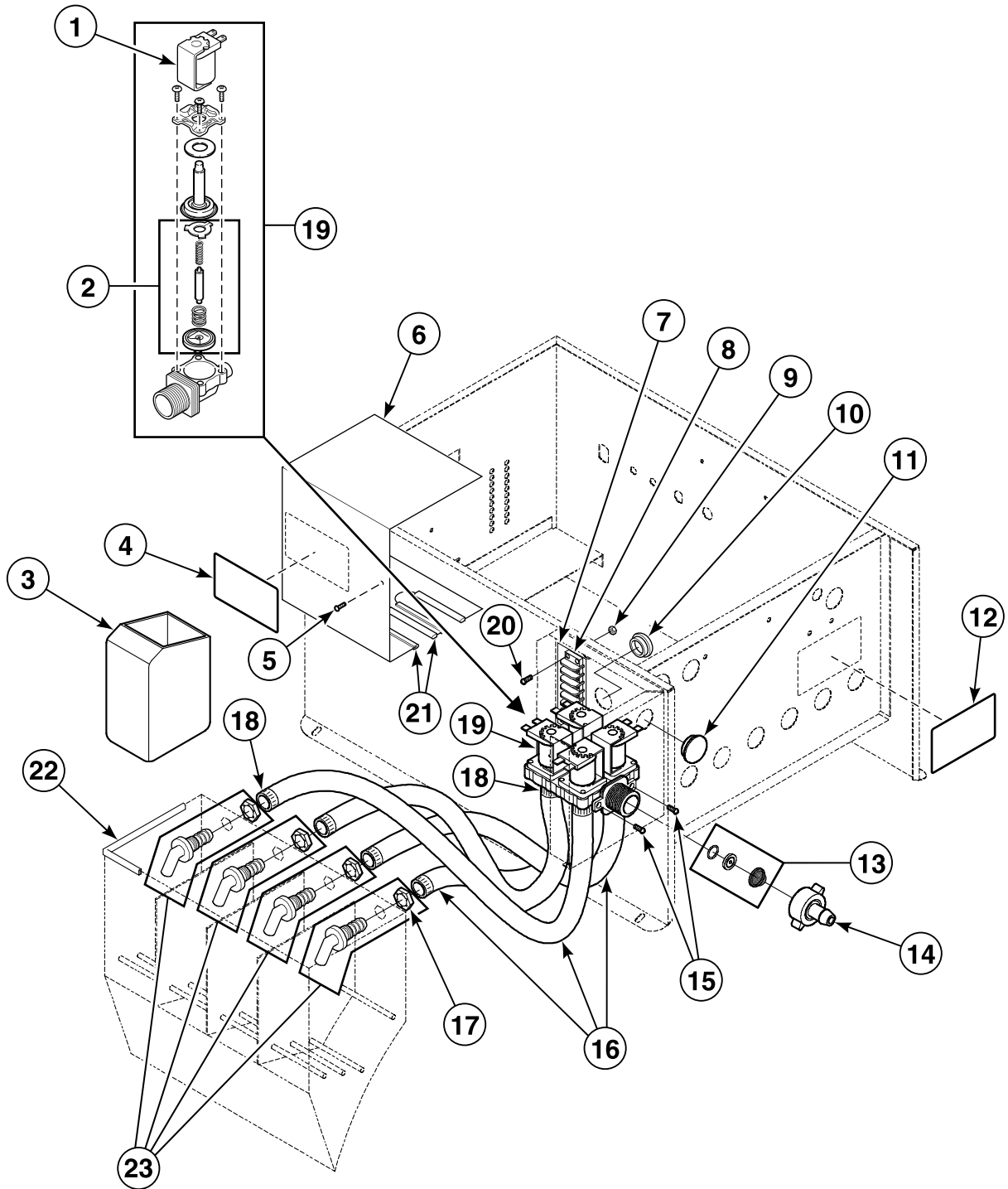
PHM2618P_F232108

Water Supply Valve and Hoses to Supply Dispenser - Elbi Valve

REF	PART NO.	DESCRIPTION	COMMENTS
1	F430948	Screw	
2	N/A	Flow Restrictor	
3	F270200	Strainer	
4	F381724P	4-Way Valve	120 Volt
	F381723P	4-Way Valve	220 Volt
	G581P3	Diaphragm and Guide Kit	
5	F200302	Hose Connector	
6	36801	Hose Clamp	No. 6
7	F200110P	Water Hose	
8	F422816	Y Connector	

N/A = Part no longer available

Water Supply Valve and Hoses to Supply Dispenser - Stainless Steel Supply Dispenser



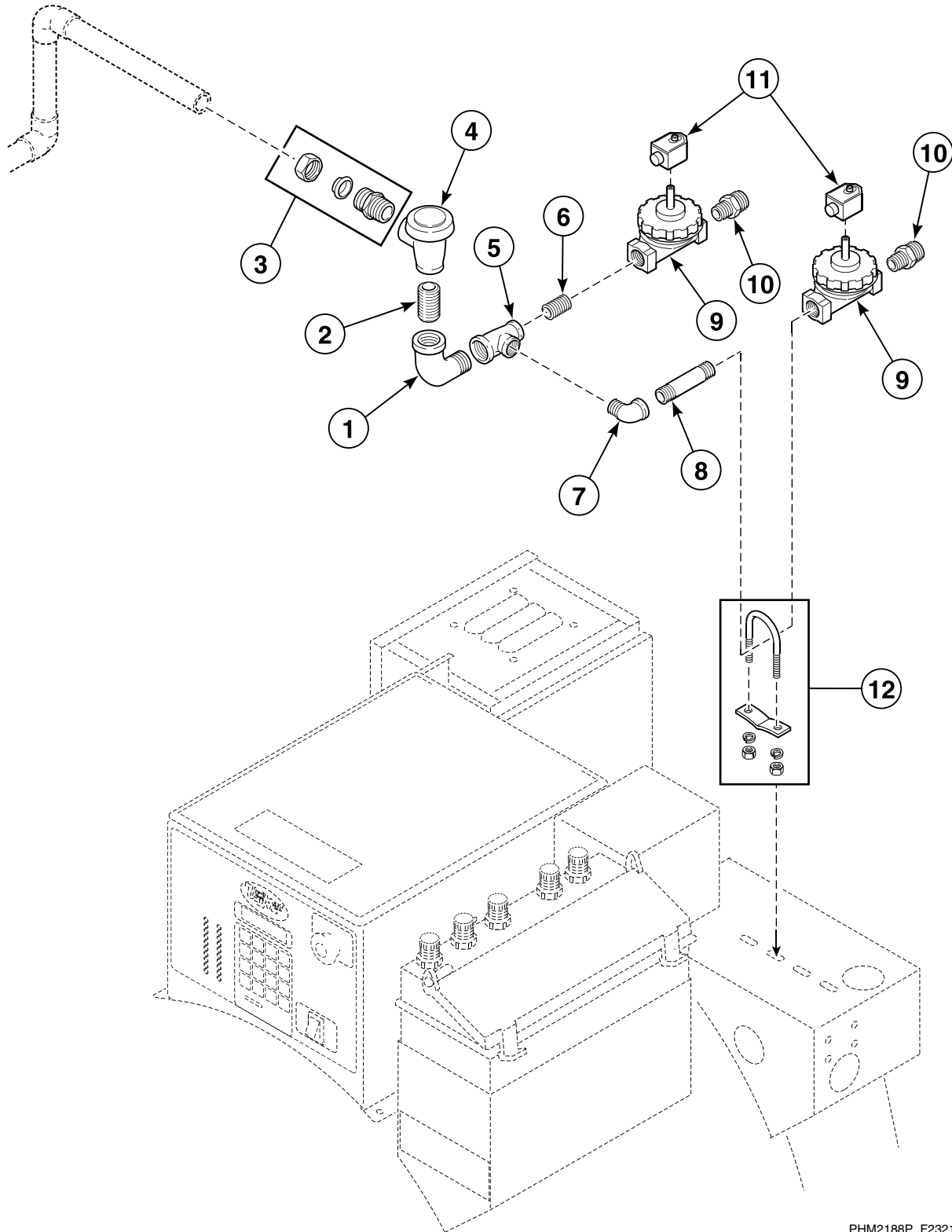
PHM2465P_F232108

Water Supply Valve and Hoses to Supply Dispenser - Stainless Steel Supply Dispenser

REF	PART NO.	DESCRIPTION	COMMENTS
1	F380900	Coil	
2	N/A	Valve Repair Kit	10 mm
3	F603412	Soap Supply Cup	
4	F230301	This Machine Must Be Protected Decal	
5	F430152	Screw	
6	F603650	Supply Valve Cover	
7	F230622	External Supply Decal	
8	F140738	Terminal Strip	
9	F431022	Nut	
10	F140909	Insulator Bushing	
11	F140527	Plug	
12	F230606	External Supply Control Decal	
13	F380104	Flow Restrictor	9 liter
14	F200302	Hose Connector	
15	F430948	Screw	
16	F200110P	Water Hose	
17	802292	Nut	
18	36801	Hose Clamp	No. 6
19	F380715P	4-Way Valve	
20	F430916	Screw	
21	F170402P	Gasket	
22	F170400RP	Trim	
23	F730168	Injection Nozzle Kit	Includes item 17

N/A = Part no longer available

Spray Plumbing - Models UW50PV and UW60PV

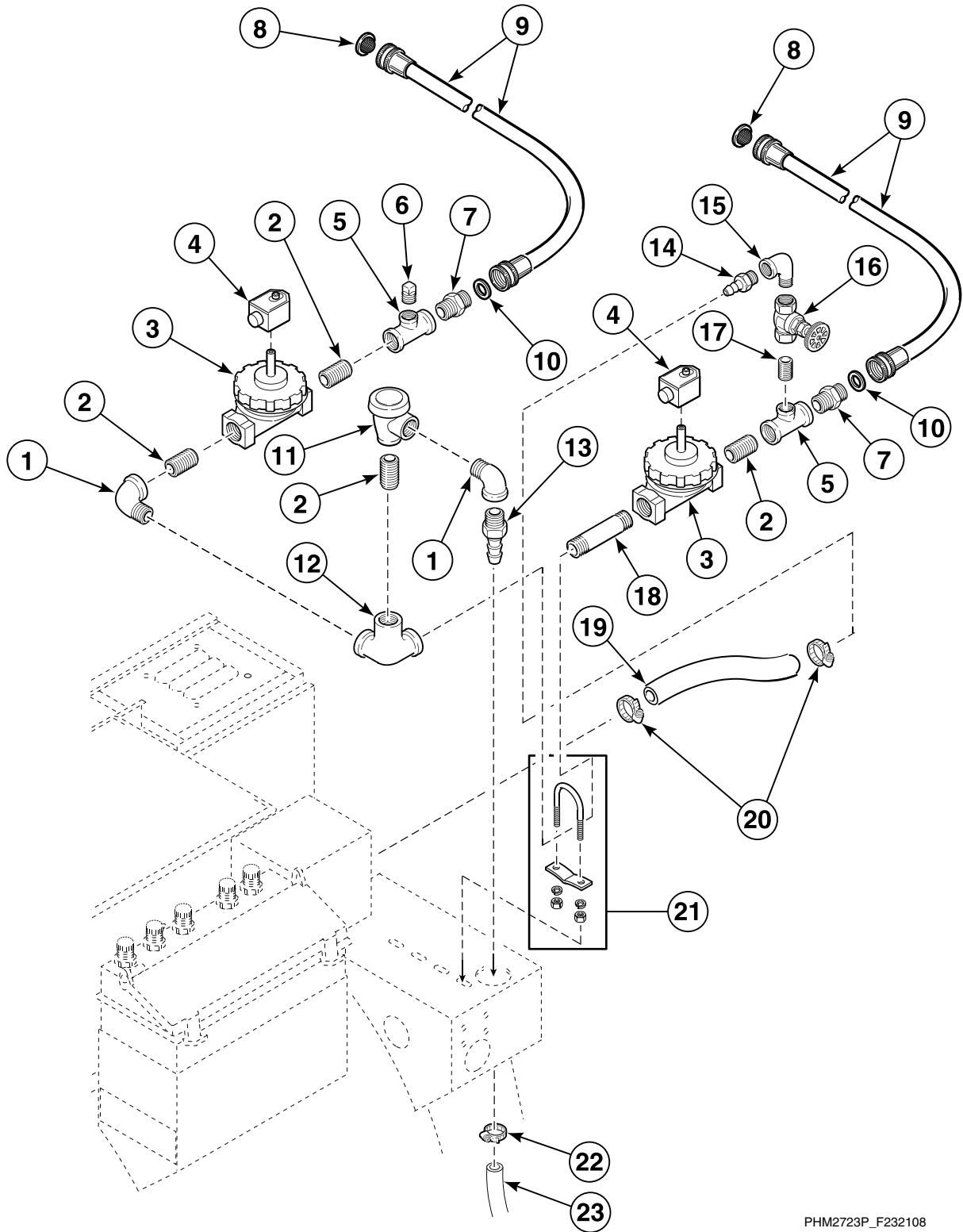


PHM2188P_F232108

Spray Plumbing - Models UW50PV and UW60PV

REF	PART NO.	DESCRIPTION	COMMENTS
1	F420502	Street Elbow	
2	F420105	Nipple	
3	F422106	Tube Connector	
4	F380800P	Vacuum Breaker Valve	3/4 inch
	F380965P	Repair Kit	3/4 inch
5	F420401	Tee	
6	F420101	Nipple	
7	F420500	Street Elbow	
8	F420103	Nipple	
9	F381702P	Valve	120 Volt; 1/2 inch; Parker
	F381703P	Valve	220 Volt; 1/2 inch; Parker
	F380993P	Valve Repair Kit	1/2 inch
10	F421908	Hose Adapter	
11	F380986P	DIN Coil	120 Volt; F141901 DIN Harness
	F380987P	DIN Coil	220 Volt; F141901 DIN Harness
12	F200401P	U-Bolt Clamp	

Fill Plumbing (Parker Valves) - Models UW50PV, UW60PV and UW85PV

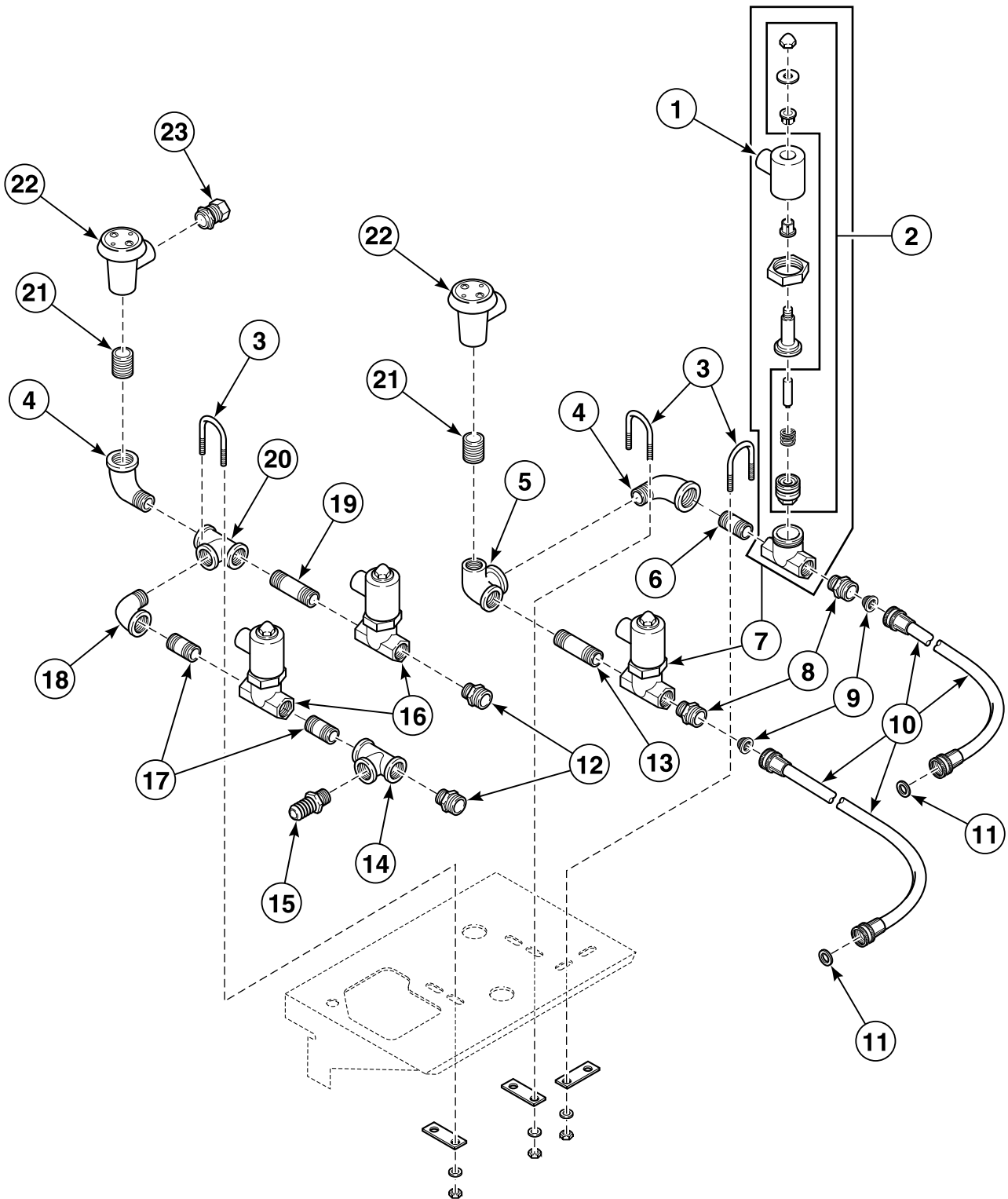


PHM2723P_F232108

Fill Plumbing (Parker Valves) - Models UW50PV, UW60PV and UW85PV

REF	PART NO.	DESCRIPTION	COMMENTS
1	F420502	Street Elbow	
2	F420105	Nipple	
3	F381700P	Valve	120 Volt; 3/4 inch; Parker
	F381701P	Valve	220 Volt; 3/4 inch; Parker
	F380991P	Water Valve Repair Kit	3/4 inch
4	F380986P	DIN Coil	120 Volt
	F380987P	DIN Coil	220 Volt
	F141901	DIN Harness	
5	F420400	Tee	
6	F420408	Plug	
7	F421909	Hose Adapter	Standard thread
	F8265701	Adapter	Metric thread
8	28605	Washer	
9	F200164	Water Hose	Standard
	F200166	Water Hose	Metric
10	20290	Washer	
11	F380800P	Vacuum Breaker Valve	3/4 inch
	F380965P	Repair Kit	3/4 inch
12	F420509	Elbow	
13	F421951	Hose Barb	
14	F421903	Adapter	
15	F420500	Street Elbow	
16	F380500	Gate Valve	
17	F420101	Nipple	
18	F420107	Nipple	
19	F200108P	Water Hose	
20	36801	Hose Clamp	No. 6
21	F200401P	U-Bolt Clamp	
22	F200222	Hose Clamp	No. 12
23	F200104P	Hose	

Spray and Fill Plumbing - Model UW65PV

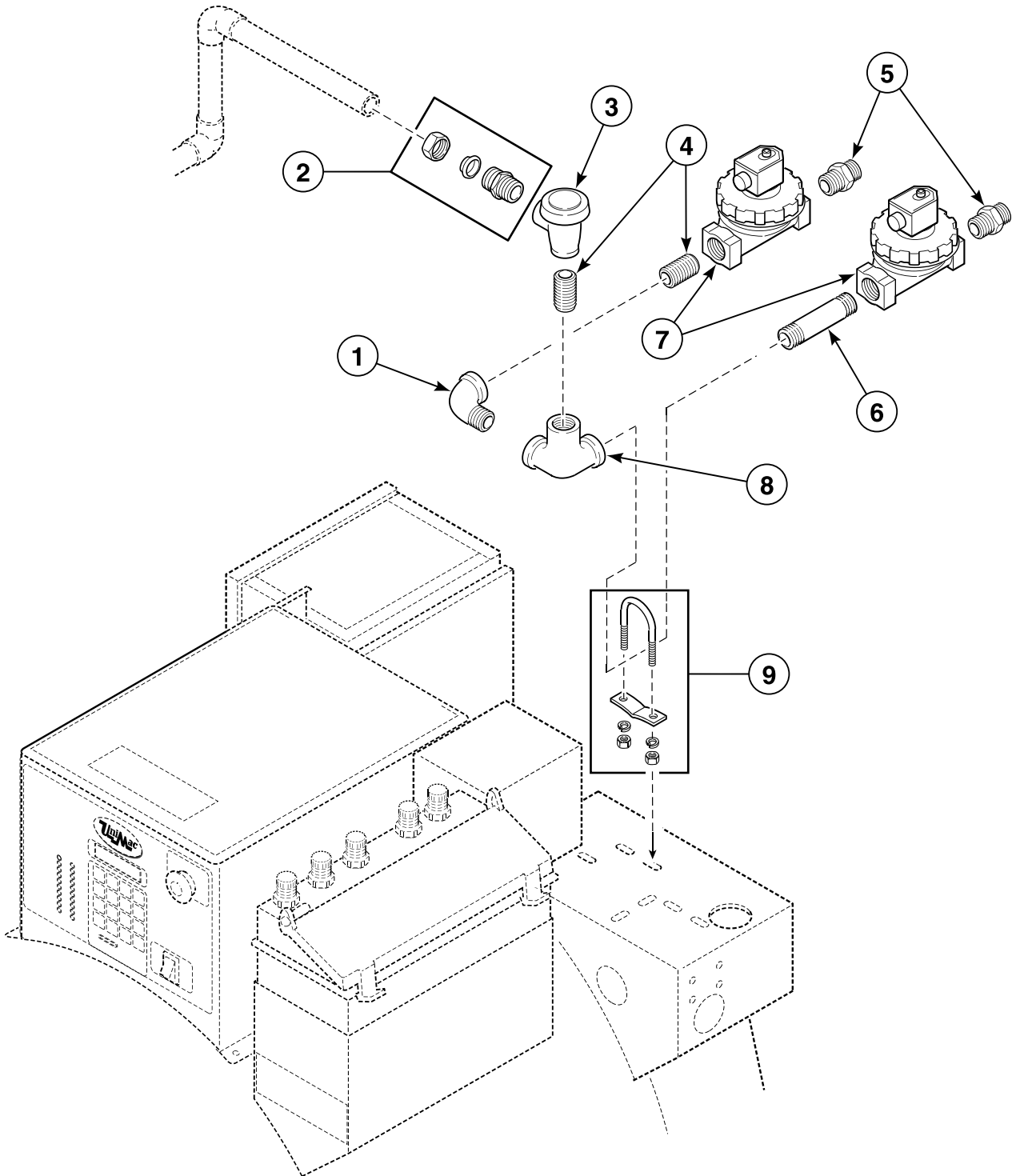


PHM2327P_F232108

Spray and Fill Plumbing - Model UW65PV

REF	PART NO.	DESCRIPTION	COMMENTS
1	F380901P	Coil	
2	F380915P	Repair Kit	
3	F200401P	U-Bolt Clamp	Includes hardware
4	F420502	Street Elbow	
5	F420509	Elbow	
6	N/A	Nipple	
7	F380702P	Solenoid Valve	3/4 inch; F380915P Repair Kit
8	F421909	Hose Adapter	
9	28605	Washer	
10	F200164	Water Hose	Standard thread
	F200166	Water Hose	Metric thread
11	20290	Washer	
12	F421908	Hose Adapter	
13	F420108	Nipple	
14	F420400	Tee	
15	F421903	Adapter	
16	F380700P	Solenoid Valve	1/2 inch; F380914P Repair Kit
17	F420101	Nipple	
18	F420500	Street Elbow	
19	F420103	Nipple	
20	F420401	Tee	
21	F420105	Nipple	
22	F380800P	Vacuum Breaker Valve	
23	F422106	Tube Connector	

Spray Plumbing - Model UW85PV

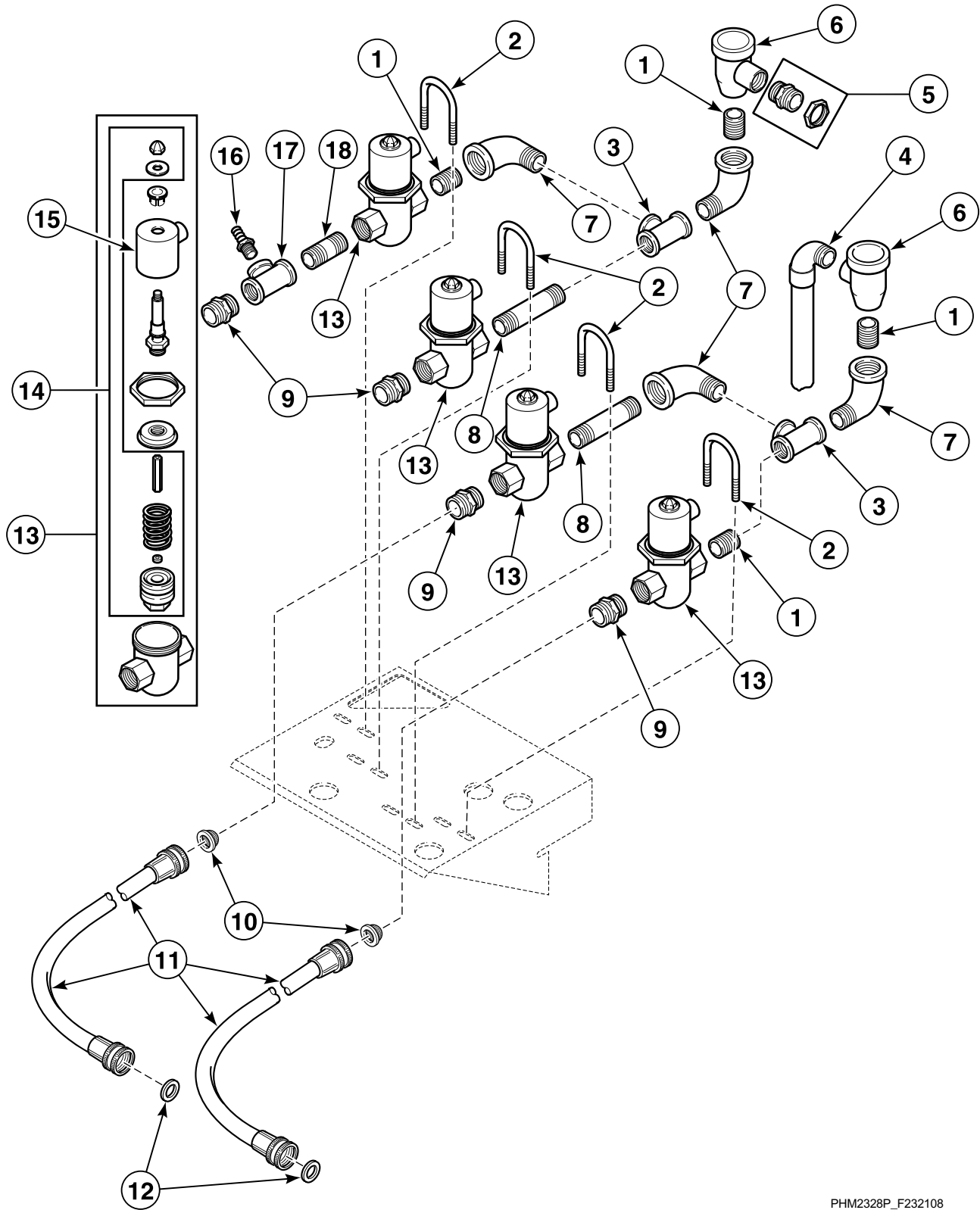


P028P_F232108

Spray Plumbing - Model UW85PV

REF	PART NO.	DESCRIPTION	COMMENTS
1	F420502	Street Elbow	
2	F422106	Tube Connector	
3	F380800P	Vacuum Breaker Valve	3/4 inch
	F380965P	Repair Kit	3/4 inch
4	F420105	Nipple	
5	F421909	Hose Adapter	Standard thread
	F8265701	Adapter	Metric thread
6	F420107	Nipple	
7	F381700P	Valve	3/4 inch; 120 Volt; With DIN
	F380986P	DIN Coil	120 Volt; F141901 DIN Harness
	F381701P	Valve	3/4 inch; 220 Volt; With DIN
	F380987P	DIN Coil	220 Volt; F141901 DIN Harness
	F141901	DIN Harness	
	F380991P	Water Valve Repair Kit	3/4 inch
8	F420509	Elbow	
9	F200401P	U-Bolt Clamp	Includes hardware

Spray and Fill Plumbing (Hays Valves) - Model UW85PV



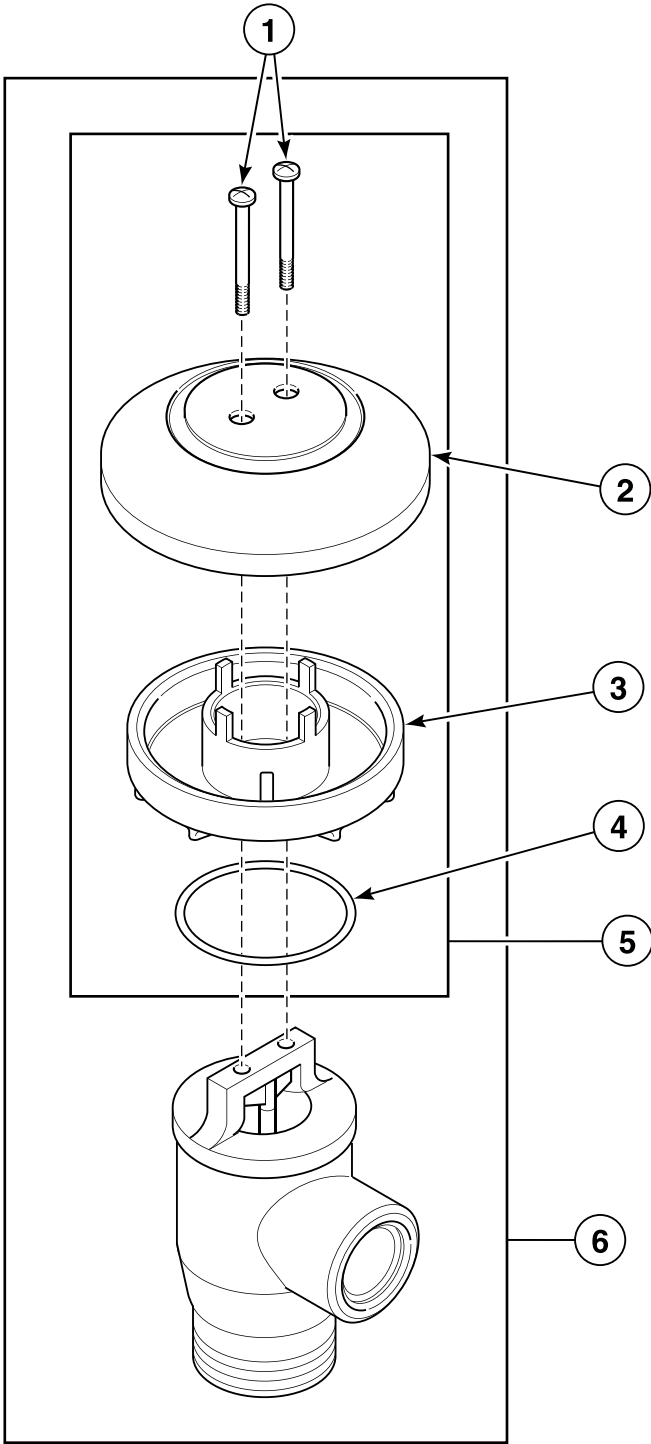
PHM2328P_F232108

Spray and Fill Plumbing (Hays Valves) - Model UW85PV

REF	PART NO.	DESCRIPTION	COMMENTS
1	F420105	Nipple	
2	N/A	U-Bolt Clamp	
3	F420403	Tee	
4	F610260	Top Fill Assembly	
5	N/A	Fluid Connector	
6	F380800P	Vacuum Breaker Valve	
7	F420502	Street Elbow	
8	F420108	Nipple	
9	F421909	Hose Adapter	
10	28605	Washer	
11	F200164	Water Hose	Standard thread
	F200166	Water Hose	Metric thread
12	20290	Washer	
13	F380702P	Solenoid Valve	
14	F380915P	Repair Kit	
15	F380901P	Coil	
16	F421930	Hose Barb	
17	F420402	Tee	
18	N/A	Nipple	

N/A = Part no longer available

Vacuum Breaker Assembly with Leak Containment Kit

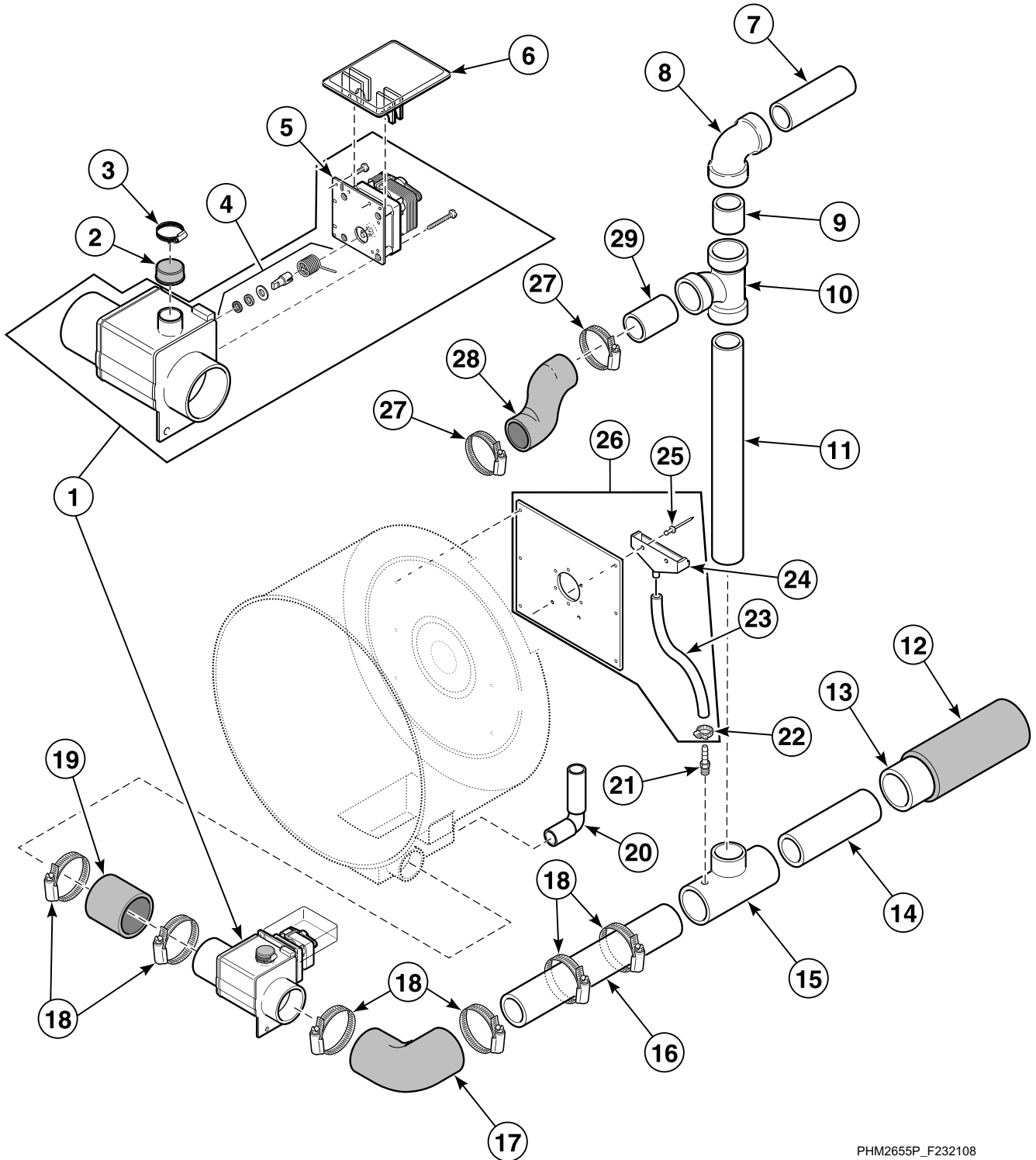


PHM2208P_F232108

Vacuum Breaker Assembly with Leak Containment Kit

REF	PART NO.	DESCRIPTION	COMMENTS
1	F430938	Screw	
2	F0380808-00	Vacuum Breaker Cap	
3	F0380809-00	Containment Device	
4	F0170221-00	O-Ring	
5	F0798922-00	Vacuum Breaker Kit	Includes items 1-4
6	F063754701P	Vacuum Breaker Valve	3/4 inch; F380965 Repair Kit; Includes item 5

Drain System, Overflow and Vent Pipes - Model UW50PV

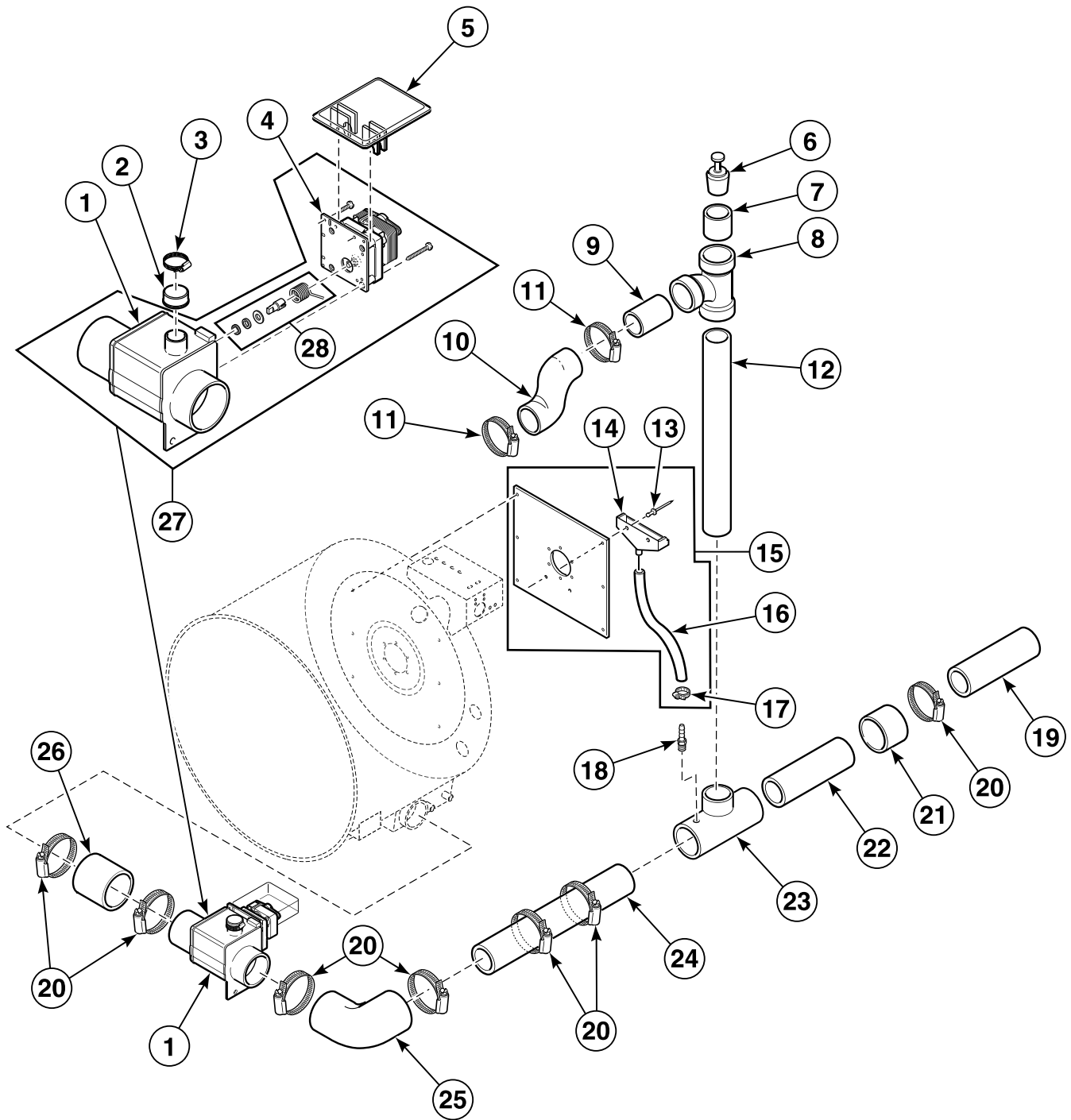


PHM2655P_F232108

Drain System, Overflow and Vent Pipes - Model UW50PV

REF	PART NO.	DESCRIPTION	COMMENTS
1	F038062800	Drain Valve	
2	F150352	Overflow Plug	
3	F200215	Hose Clamp	No. 28
4	F380918	Main Drive Kit	
5	F380932P	Drain Valve Motor	120 Volt
6	F200133600	Drain Valve Cover	
7	F0602364-13	Pipe	
8	F422900	Elbow	
9	F0602364-04	Pipe	
10	F422801	Tee	
11	F0602364-25	Pipe	
12	F200165100	Drain Hose	
13	F422602	Reducer Bushing	
14	F0602365-01	Pipe	
15	F422803	Tee	
16	F0602365-22	Pipe	
17	F150438	Drain Hose	
18	F200201	Hose Clamp	No. 56
19	F150442	Drain Hose	
20	F605792	Fill Assembly	
21	F421929	Hose Barb	
22	36801	Hose Clamp	No. 6
23	F200107P	Water Hose	
24	F150389	Scupper	
25	F431217	Pop Rivet	
26	F8084201	Shell Reinforcement Plate Assembly	Includes items 22-25 and F410102 Clear Sealant
27	F200213	Hose Clamp	No. 40
28	F150309	Soap Dispenser Hose	
29	F0602364-10	Pipe	

Drain System, Overflow and Vent Pipes - Model UW60PV



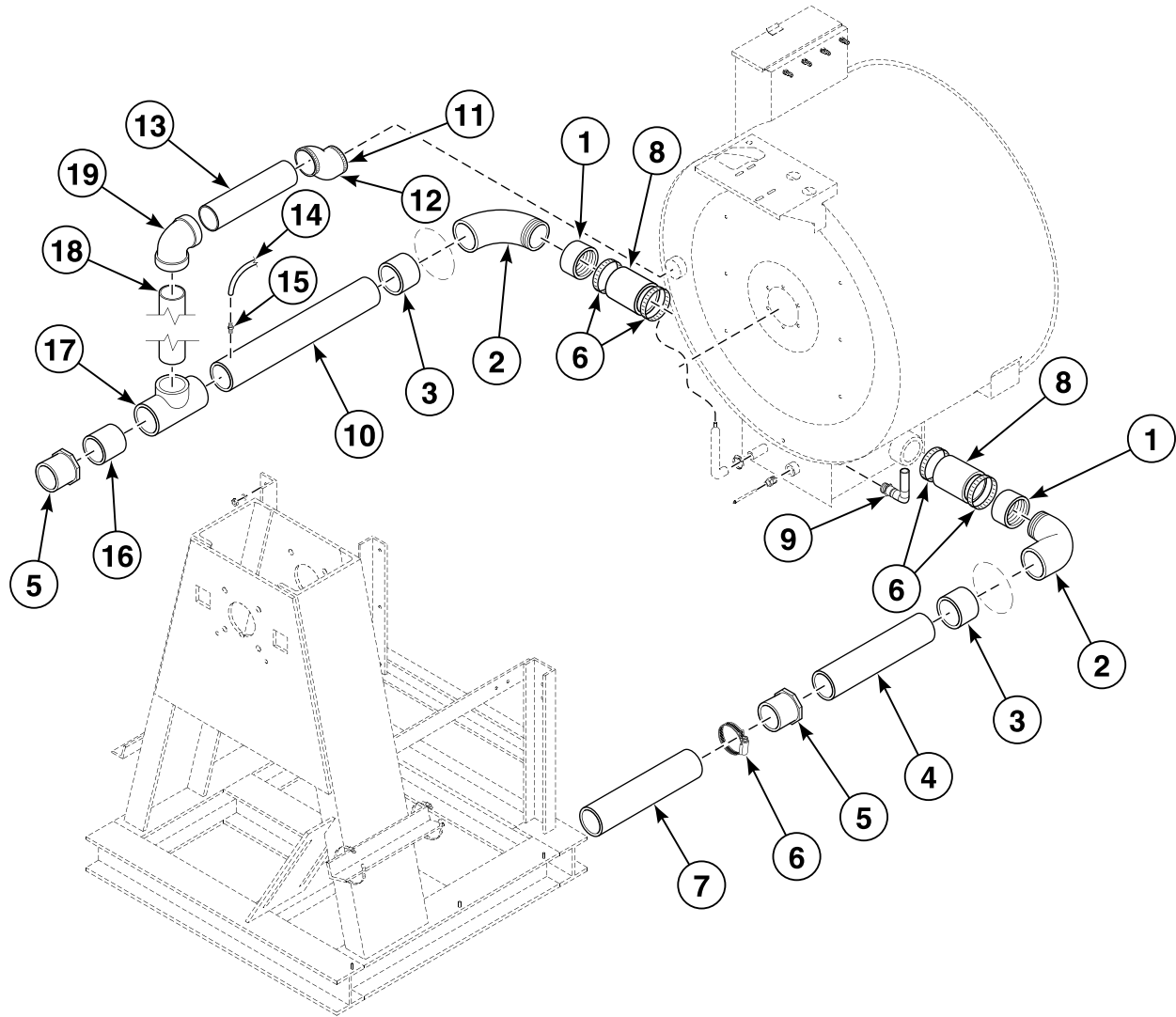
PHM2619P_F232108

Drain System, Overflow and Vent Pipes - Model UW60PV

REF	PART NO.	DESCRIPTION	COMMENTS
1	F038062800	Drain Valve	120 Volt
	F200166402	Drain Valve Kit	220 Volt; Includes item 5 and F200185700 Drain Valve
2	F150352	Overflow Plug	Used with F038062800 Drain Valve
3	F200215	Hose Clamp	No. 28; Used with F038062800 Drain Valve
4	F380932P	Drain Valve Motor	120 Volt
	F380933P	Drain Valve Motor	220 Volt
5	F200133600	Drain Valve Cover	
6	F380117	Vacuum Breaker	
7	F422508	Adapter	
8	F422801	Tee	
9	N/A	Pipe	
10	F150309	Soap Dispenser Hose	
11	F200213	Hose Clamp	No. 40
12	F0602364-25	Pipe	
13	F431217	Pop Rivet	
14	F150389	Scupper	
15	F8084201	Shell Reinforcement Plate Assembly	Includes items 13, 14, 16, 17 and F410102 Clear Sealant
16	F200107P	Water Hose	
17	36801	Hose Clamp	No. 6
18	F421929	Hose Barb	
19	F200165100	Drain Hose	
20	F200201	Hose Clamp	No. 56
21	F422602	Reducer Bushing	
22	F0602365-01	Pipe	
23	F422803	Tee	
24	F0602365-22	Pipe	
25	F150438	Drain Hose	
26	F150442	Drain Hose	
27	F200166402	Drain Valve Kit	220 Volt; Includes items 1 and 5
28	F380918	Main Drive Kit	

N/A = Part no longer available

Drain System - Models UW65PV and UW85PV



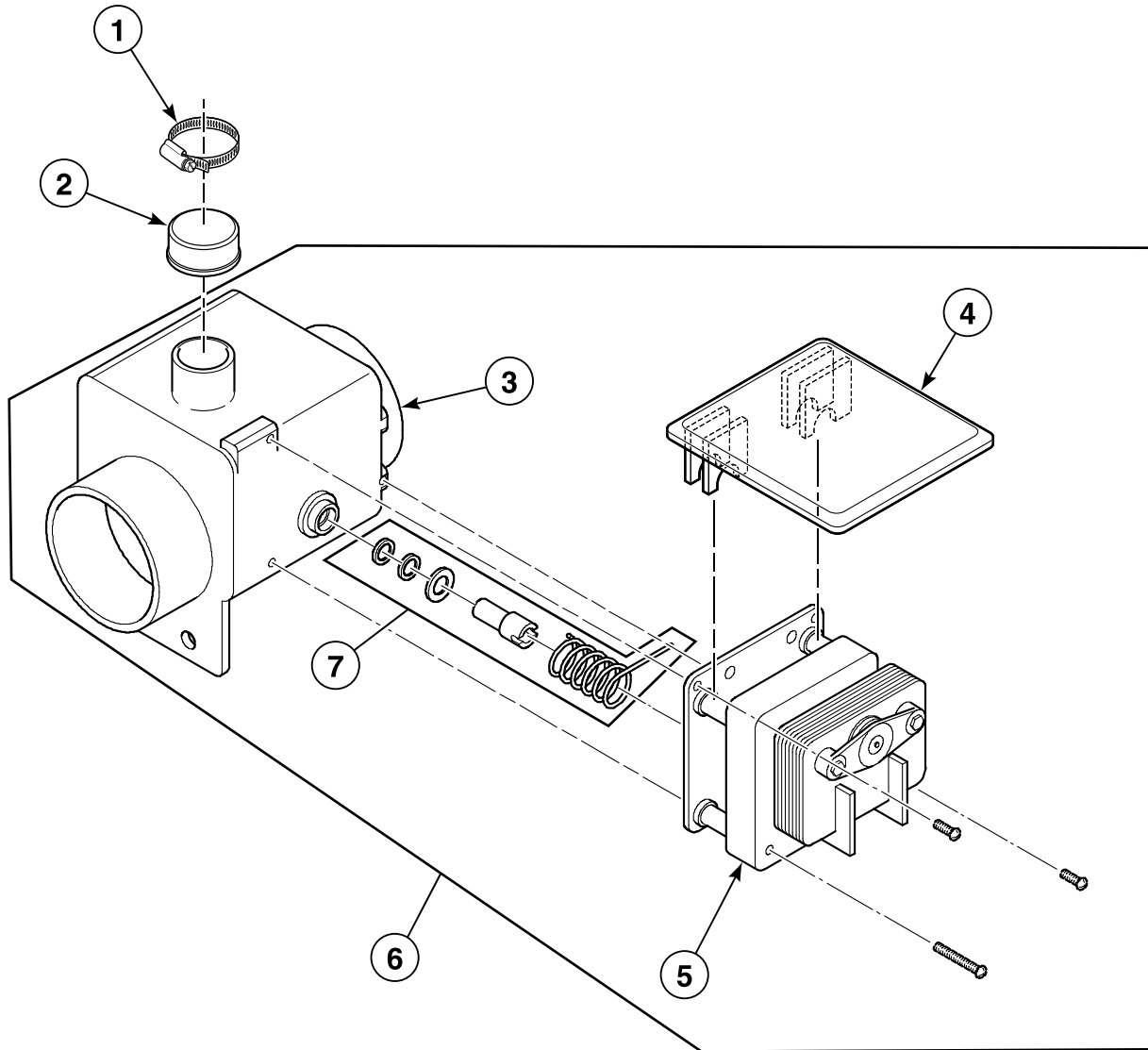
PHM2830P_F232108

Drain System - Models UW65PV and UW85PV

REF	PART NO.	DESCRIPTION	COMMENTS
1	F420301	Coupling	
2	N/A	Street Elbow	
3	N/A	Coupling	
4	F0602365-27	Pipe	
5	F422602	Reducer Bushing	
6	F200201	Hose Clamp	No. 56
7	F200165100	Drain Hose	
8	F200126	Hose	
9	N/A	Fill Tube	
10	N/A	Pipe	Model UW65PV
	F610040	Pipe	Model UW85PV
11	F200213	Hose Clamp	No. 40
12	F150309	Soap Dispenser Hose	
13	F610814	Pipe	
14	F200107P	Water Hose	Sold per foot
15	F421929	Hose Barb	
16	F0602365-20	Pipe	Model UW65PV
	F0602365-16	Pipe	Model UW85PV
17	F422803	Tee	
18	F0602364-24	Pipe	
19	F422900	Elbow	

N/A = Part no longer available

Ball Drain Valve - Models UW65PV and UW85PV

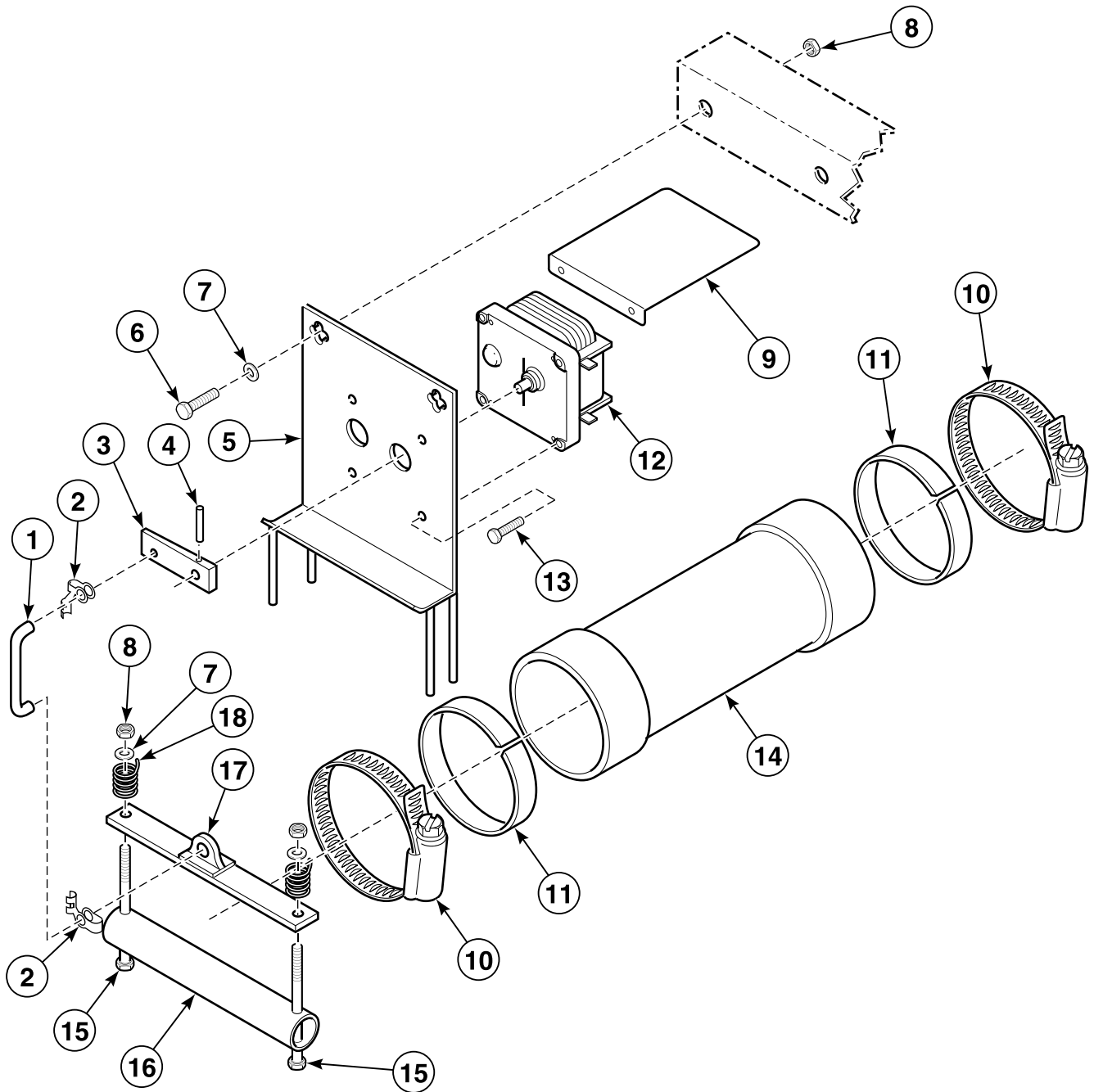


PHM2663P_F232108

Ball Drain Valve - Models UW65PV and UW85PV

REF	PART NO.	DESCRIPTION	COMMENTS
1	F200215	Hose Clamp	No. 28; Used with F038062800 Drain Valve
2	F150352	Overflow Plug	Used with F038062800 Drain Valve
3	F038062800	Drain Valve	120 Volt; With overflow vent
4	F200133600	Drain Valve Cover	
5	F380943P	Drain Motor	120 Volt; Keyed shaft
	F380932P	Drain Valve Motor	120 Volt; Round shaft
	G159764P	Drain Valve Motor and Gear Box Assembly	220 Volt; Keyed shaft
	F380933P	Drain Valve Motor	220 Volt; Round shaft
6	F200166402	Drain Valve Kit	220 Volt; Without overflow vent
	F200166302	Drain Valve Kit	120 Volt
7	F380918	Main Drive Kit	

Motorized Drain Valve Assembly



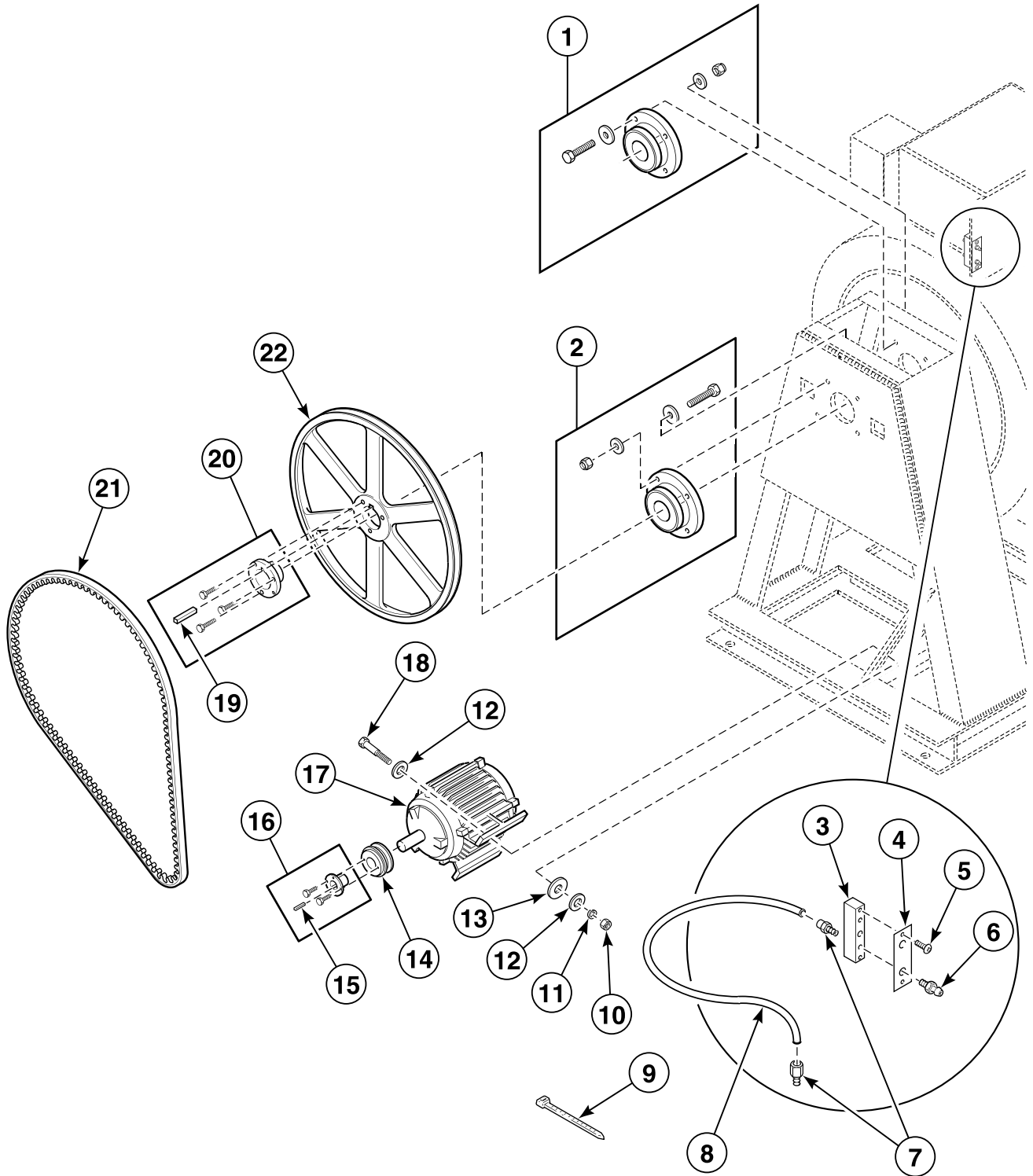
P025P_F232108

Motorized Drain Valve Assembly

REF	PART NO.	DESCRIPTION	COMMENTS
	F0798776-00	Drain Conversion Kit	120 Volt
1	F602274	Drain Valve Motor Linkage	
2	F431205	Rod End Clip	
3	N/A	Drain Valve Motor Arm	
4	H88900683	Spring Pin	
5	N/A	Drain Valve Bracket	Must install F0798776-00 Drain Conversion Kit
6	F430103	Screw	
7	F430317	Washer	
8	F430215	Nut	
9	F602372	Drain Valve Motor Cover	
10	F200201	Hose Clamp	No. 56
11	F601244	Chafe Strip	
12	F380932P	Drain Valve Motor	120 Volt
	F380933P	Drain Valve Motor	220 Volt
13	F430920	Screw	
14	F200126	Hose	Sold per foot
15	F430101	Screw	
16	F602101	Drain Lift Tube	
17	N/A	Lift Bar	Must install F0798776-00 Drain Conversion Kit
18	N/A	Spring	

N/A = Part no longer available

Motor, Pulley, Belt and Bearings - Models UW50PV and UW60PV

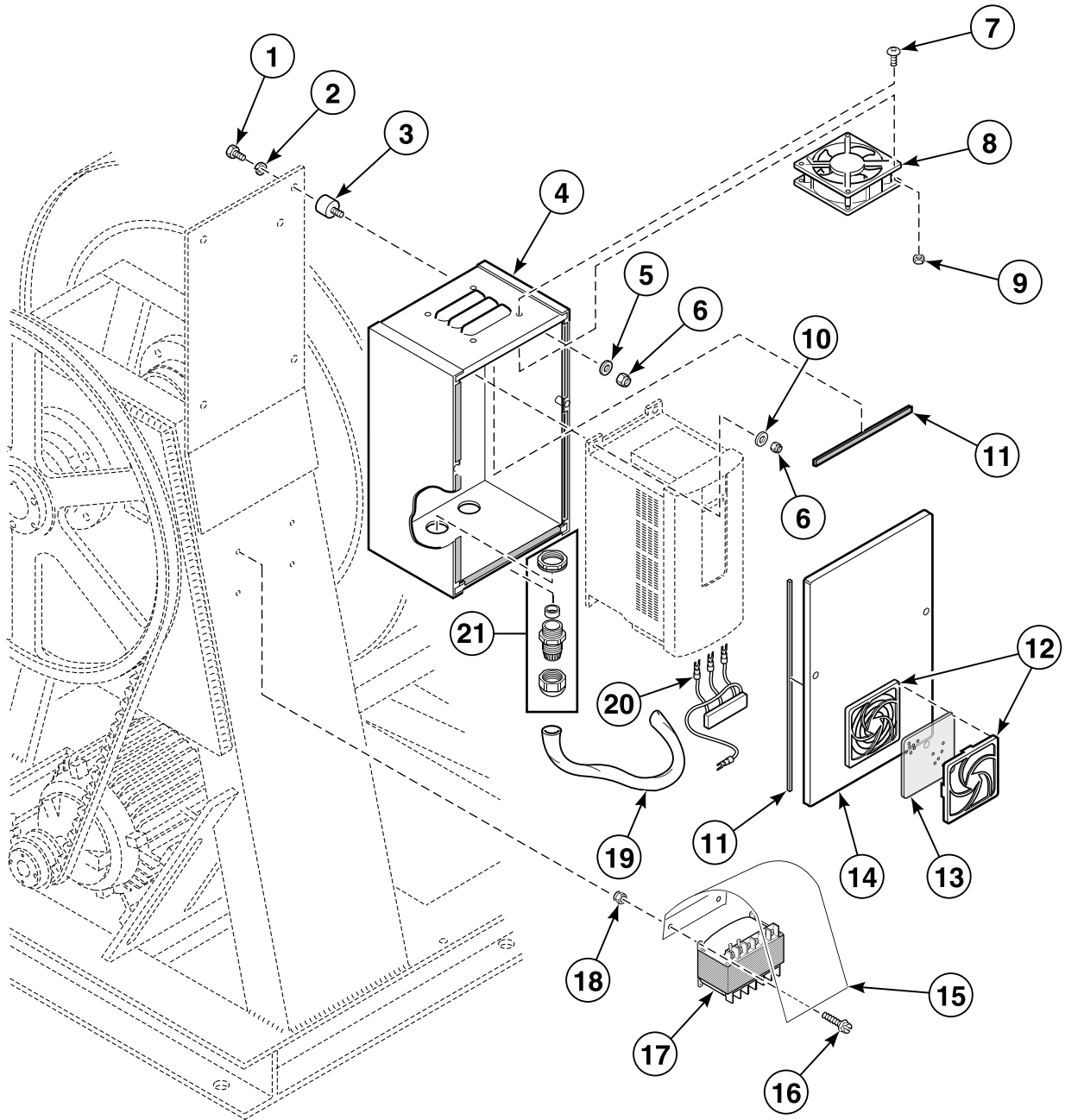


PHM2198P_F232108

Motor, Pulley, Belt and Bearings - Models UW50PV and UW60PV

REF	PART NO.	DESCRIPTION	COMMENTS
1	F798824-00	Front Bearing Kit	Includes seal, bolt, washers and nut
	F100150	Bearing	
2	F745010	Rear Bearing Kit	Includes bolt, washers and nut
	F100150	Bearing	
3	F320326	Grease Manifold	
	F745401	Manual Bearing Greasing Retrofit Kit	Includes items 4, 6-8, F630433 Grease Manifold Bracket, F430211 Nut, F431024 Nut, F430311 Washer, F430923 Screw and F430925 Screw
4	F230745	Lubrication Instruction Decal	
5	F430916	Screw	
6	F190701	Grease Fitting	
7	J1408004	Connector	
8	C000628P	Tubing	
9	F140605	Cable Tie	6 inch
10	20274	Nut	
11	M400014	Washer	
12	M400081	Washer	
13	F430300	Washer	
14	F280146P	Pulley	BK34H; 3.4 inch OD
	F280182P	Pulley	BK32H; 3.2 inch OD
15	F430802	Key	
16	F280297	Pulley Bushing	Includes screws and item 15; SH 1 1/8
	F280211P	Motor Pulley Bushing	Includes screws and item 15; H-1 1/8
17	F220214UP	Motor	AC drive parameters must be compatible with the motor and motor pulley. Please request the AC drive parameter illustration for parameter verification when ordering a motor.
	F220214MP	Motor	Replaces F220214MP Motor (AC drive parameter update required); AC drive parameters must be compatible with the motor and motor pulley. Please request the AC drive parameter illustration for parameter verification when ordering a motor.
18	F430993	Screw	
19	F430803	Key	
20	F280257	Bushing	Model UW50PV
	F280409P	Bushing	Model UW60PV
21	F280353	Belt	BX96
22	F280255	Pulley	Model UW50PV; 1B5V250
	F280410	Pulley	Model UW60PV; 1B255K

AC Drive Box - Models UW50PV and UW60PV



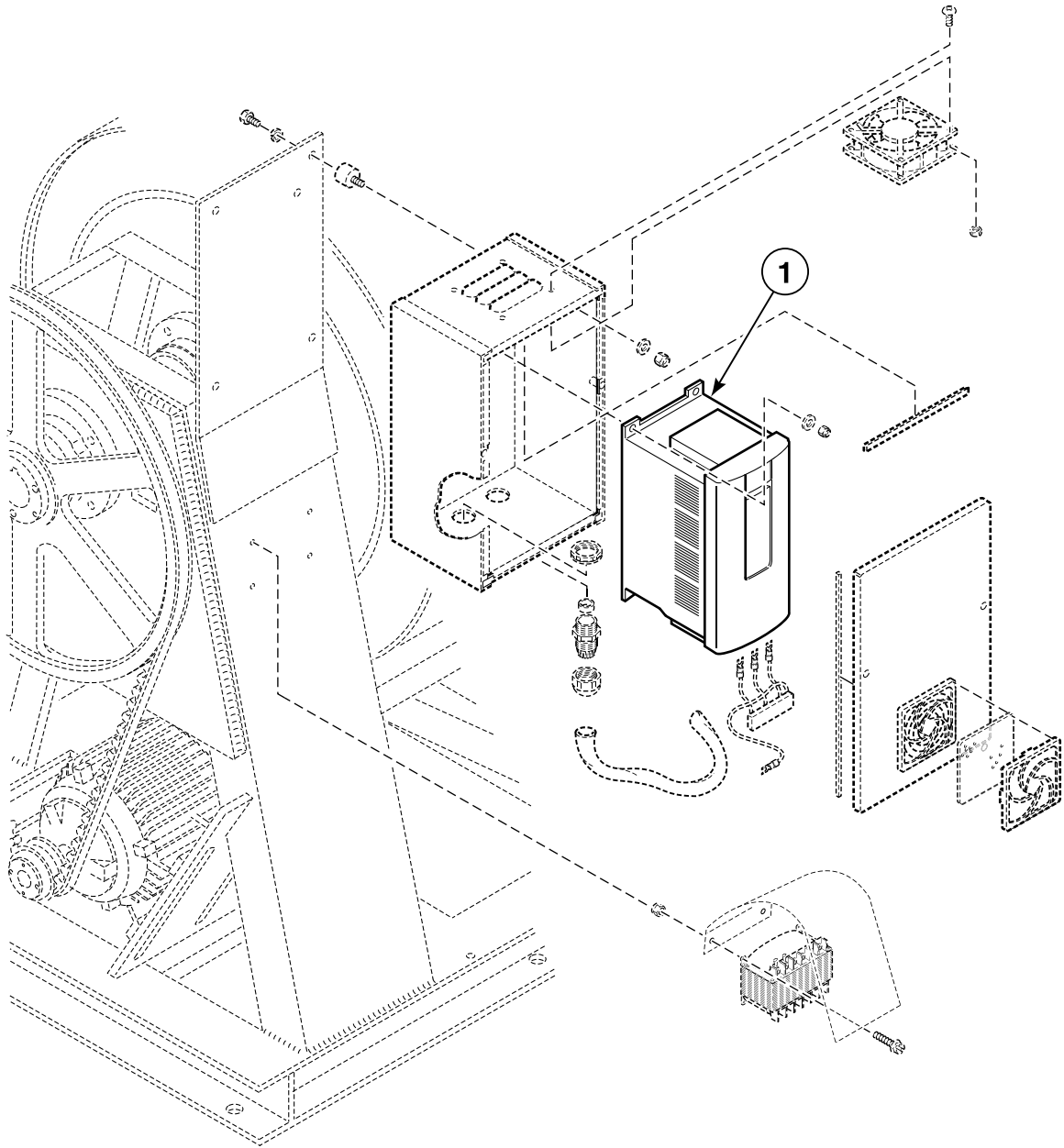
PHM2625P_F232108

AC Drive Box - Models UW50PV and UW60PV

REF	PART NO.	DESCRIPTION	COMMENTS
1	201415	Screw	
2	F431102	Washer	
3	F432219	Sandwich Mount	
4	F609849	Box Assembly	Model UW50PV
	F633401	AC Drive Box Weldment	Model UW60PV; 5 hp
	F633755	AC Drive Box Weldment	Model UW60PV; 7.5 hp
5	F431100	Washer	
6	F431022	Nut	
7	F430916	Screw	
8	F110106	Muffin Fan	120 Volt
	F110105	Muffin Fan	220 Volt
9	F430231	Nut	
10	F431100	Washer	
11	F200001600P	Shell Band Gasket	
12	F220900	Filter Retainer Guard	Includes item 13
13	F200318900P	Filter	
14	F609726	AC Drive Box Cover	Model UW50PV
	F633382	AC Drive Box Cover	Model UW60PV; N, P and Q-voltage
	N/A	AC Drive Box Cover	Model UW60PV; T-voltage
15	F140425	Control Transformer Cover	
16	F430935	Screw	
17	C000203	Transformer	
18	F430215	Nut	
19	F140905	Tubing	Order 6 feet
20	F200320900	AC Drive Radio Filter Assembly	
21	F140309	Connector	

N/A = Part no longer available

AC Drive - Model UW50PV



PHM2626P_F232108

AC Drive - Model UW50PV

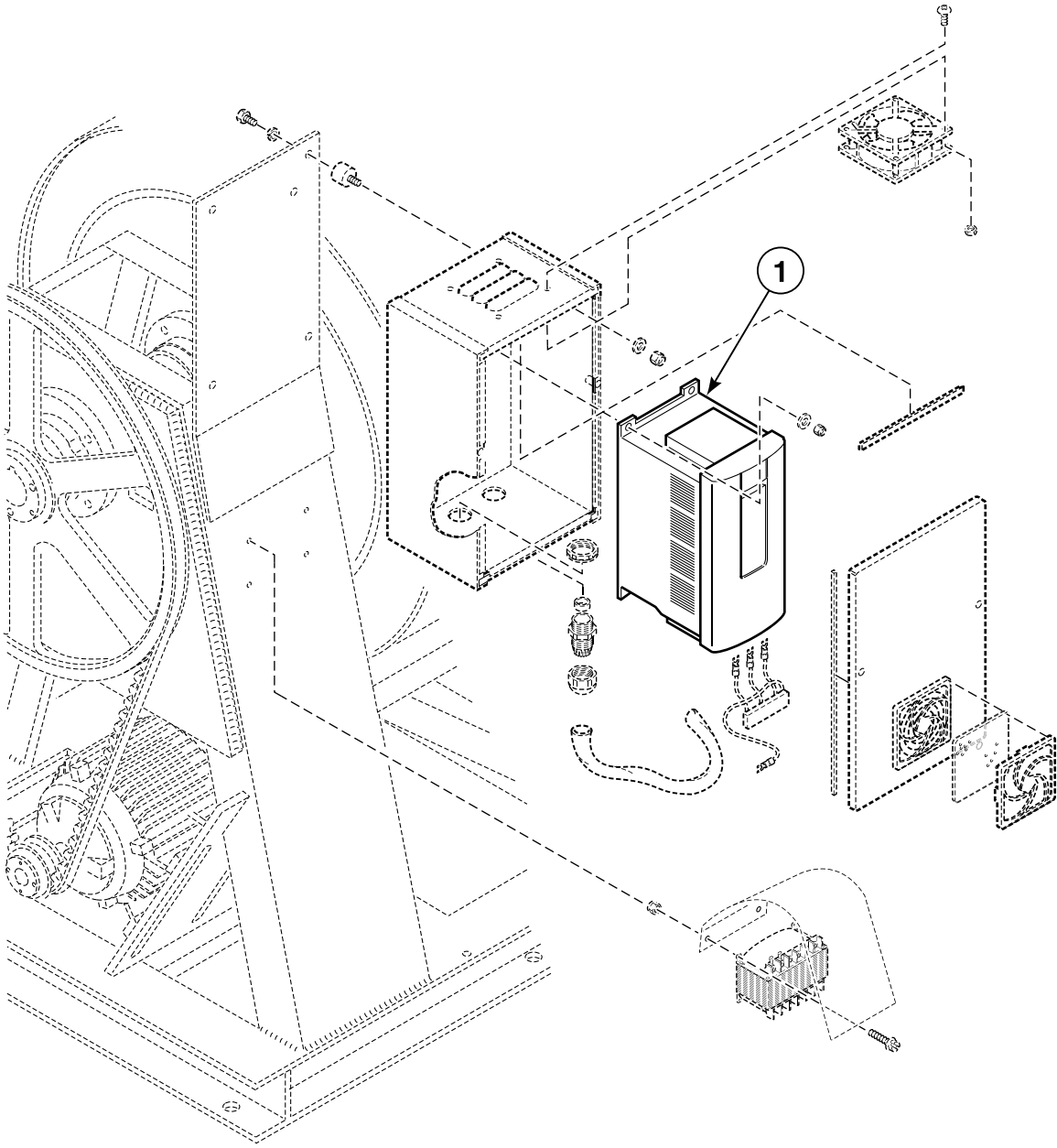
REF	PART NO.	DESCRIPTION	COMMENTS
1	N/A	Mitsubishi A-Series-160 Retro Kit	Q-voltage with EMI/RFI filter; Used with F220214 Motor (Motor manufacturer Part No. H309)
	N/A	Mitsubishi A-Series-160 Retro Kit	Q-voltage with EMI/RFI filter; Used with F220214 Motor (Motor manufacturer Part No. A431)
	N/A	Mitsubishi A-Series-160 Retro Kit	Q-voltage with EMI/RFI filter; Used with F220434 Motor (Motor manufacturer Part No. 7965)
	N/A	Mitsubishi A-Series-160 Retro Kit	Q-voltage; Includes F370853 Drive and F220236 Motor
	N/A	Mitsubishi A-Series-160 Retro Kit	Q-voltage; Includes F370853 Drive and F220236 Motor
	N/A	Mitsubishi A-Series-160 Retro Kit	N and P-voltage; Used with F220214M Motor (Motor manufacturer Part No. 9-391718-60); Replaced by F8171710 Mitsubishi to PowerFlex 40 Drive Kit
	N/A	Mitsubishi A-Series-160 Retro Kit	N and P-voltage; Used with F220214U Motor (Motor manufacturer Part No. G68094); Replaced by F8171710 Mitsubishi to PowerFlex 40 Drive Kit
	N/A	Mitsubishi A-Series-160 Retro Kit	N and P-voltage; Used with F220214 Motor (Motor manufacturer Part No. H309)
	N/A	Mitsubishi A-Series-160 Retro Kit	N and P-voltage; Used with F220214 Motor (Motor manufacturer Part No. A431)
	N/A	Mitsubishi A-Series-160 Retro Kit	N and P-voltage; Used with F220434 Motor (Motor manufacturer Part No. 7965)
	N/A	Mitsubishi A-Series-160 Retro Kit	N and P-voltage with EMI/RFI filter; Used with F220214M Motor (Motor manufacturer Part No. 9-391718-60)
	N/A	Mitsubishi A-Series-160 Retro Kit	N and P-voltage with EMI/RFI filter; Used with F220214U Motor (Motor manufacturer Part No. G68094)
	N/A	Mitsubishi A-Series-160 Retro Kit	N and P-voltage with EMI/RFI filter; Used with F220214 Motor (Motor manufacturer Part No. H309)
	N/A	Mitsubishi A-Series-160 Retro Kit	N and P-voltage with EMI/RFI filter; Used with F220214 Motor (Motor manufacturer Part No. A431)
	N/A	Mitsubishi A-Series-160 Retro Kit	N and P-voltage with EMI/RFI filter; Used with F220434 Motor (Motor manufacturer Part No. 7965)
	N/A	Mitsubishi A-Series-160 Retro Kit	N and P-voltage; Includes F370854 Drive and F220236 Motor
	N/A	Mitsubishi A-Series-160 Retro Kit	N and P-voltage with EMI/RFI filter; Includes F370854 Drive and F220236 Motor

N/A = Part no longer available

NOTE: Refer to the *Motor Manufacturer's Part Number on the Motor's Nameplate* section for help with locating the motor manufacturer's part number.

AC Drive - Models UW50PV and UW60PV (Drawing 1 of 3)

Q-Voltage Models



PHM2626P_F232108

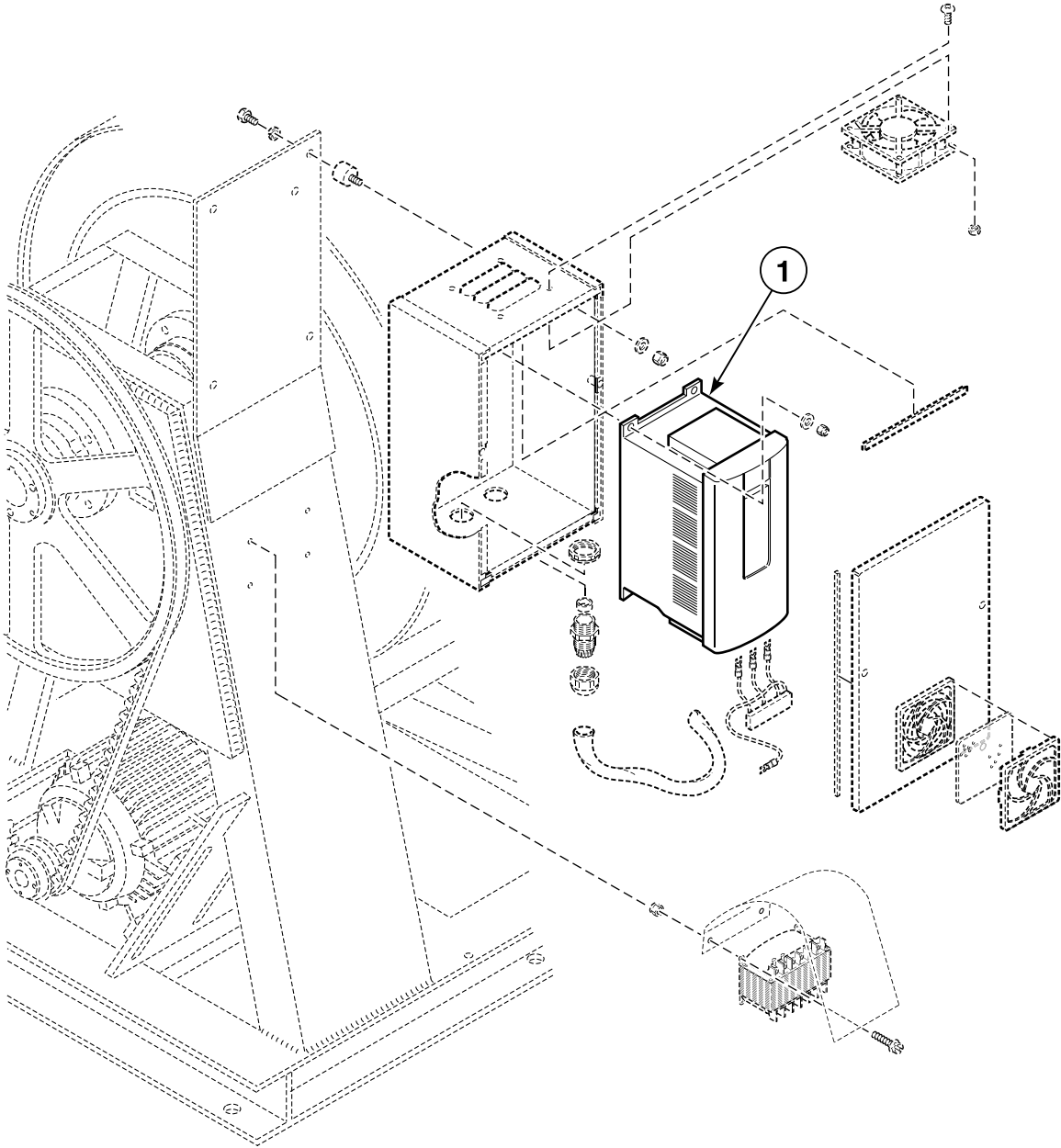
AC Drive - Models UW50PV and UW60PV (Drawing 1 of 3)

REF	PART NO.	DESCRIPTION	COMMENTS
1	N/A	1305 to 160-Series AC Drive Retrofit Kit	Includes F370853 Inverter Drive and F220236 Motor; Drive parameter illustration 721792
	N/A	1305 to 160-Series AC Drive Retrofit Kit	Includes F370853 Inverter Drive, F220236 Motor and RFI/EMI filter; Drive parameter illustration 721792
	F8171616	1305 to PowerFlex 40 Drive Kit	Used with existing F220214M Motor (Motor manufacturer Part No. 9-391718-60)
	N/A	1305 to 160-Series AC Drive Retrofit Kit	Used with existing F220214M Motor (Motor manufacturer Part No. 9-391718-60); Includes new RFI/EMI filter
	F8171611	1305 to PowerFlex 40 Drive Kit	Used with existing F220214U Motor (Motor manufacturer Part No. G68094)
	N/A	1305 to 160-Series AC Drive Retrofit Kit	Used with existing F220214 Motor (Premium Efficiency; Motor manufacturer Part No. H309)
	N/A	1305 to 160-Series AC Drive Retrofit Kit	Used with existing F220214 Motor (Premium Efficiency; Motor manufacturer Part No. A431)
	N/A	1305 to 160-Series AC Drive Retrofit Kit	Used with existing F220434 Motor (Motor manufacturer Part No. 7695)
	N/A	1305 to 160-Series AC Drive Retrofit Kit	Used with existing F220214U Motor (Motor manufacturer Part No. G68094); Includes new RFI/EMI filter
	N/A	1305 to 160-Series AC Drive Retrofit Kit	Used with existing F220214 Motor (Premium Efficiency; Motor manufacturer Part No. H309); Includes new RFI/EMI filter
	N/A	1305 to 160-Series AC Drive Retrofit Kit	Used with existing F220214 Motor (Premium Efficiency; Motor manufacturer Part No. A431); Includes new RFI/EMI filter
	N/A	1305 to 160-Series AC Drive Retrofit Kit	Used with existing F220434 Motor (Motor manufacturer Part No. 7965); Includes new RFI/EMI filter
	F0370853-792	160-Series AC Drive Kit	For machines previously updated with F079892911 or F079893110 1305 to 160-Series AC Drive Retrofit Kit; Requires F220236 Motor (Motor manufacturer Part No. F-391994-61) and 3.2 inch pulley
	F0370853-793	160-Series AC Drive Kit	Used with existing F220214M Motor (Motor manufacturer Part No. 9-391718-60)
	F0370853-801	160-Series AC Drive Kit	Used with existing F220214U Motor (Motor manufacturer Part No. G68094)
	N/A	160-Series AC Drive Kit	Used with existing F220214 Motor (Premium Efficiency; Motor manufacturer Part No. H309)
	N/A	160-Series AC Drive Kit	Used with existing F220214 Motor (Premium Efficiency; Motor manufacturer Part No. A431)
	N/A	160-Series AC Drive Kit	Used with existing F220434 Motor (Motor manufacturer Part No. 7695)

N/A = Part no longer available

NOTE: Refer to the *Motor Manufacturer's Part Number on the Motor's Nameplate* section for help with locating the motor manufacturer's part number.

AC Drive - Models UW50PV and UW60PV (Drawing 2 of 3)



PHM2626P_F232108

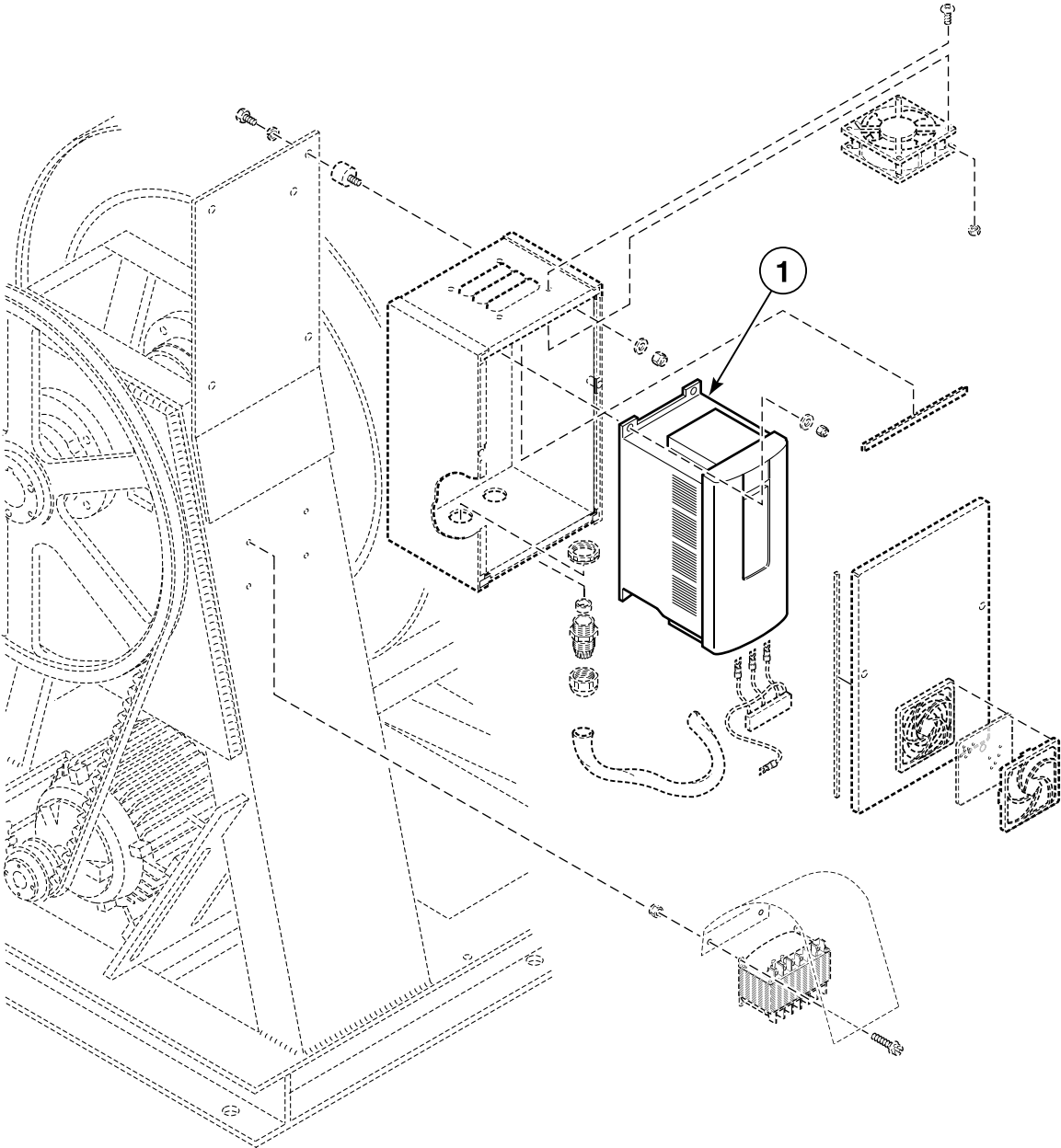
AC Drive - Models UW50PV and UW60PV (Drawing 2 of 3)

REF	PART NO.	DESCRIPTION	COMMENTS
1	N/A	1305 to 160-Series AC Drive Retrofit Kit	N and P-voltage; Includes F370854 Inverter Drive and F220236 Motor; Drive parameter illustration 721792
	N/A	1305 to 160-Series AC Drive Retrofit Kit	N and P-voltage; Includes F370854 Inverter Drive, F220236 Motor and RFI/EMI filter; Drive parameter illustration 721792
	N/A	1305 to 160-Series AC Drive Retrofit Kit	N and P-voltage; Used with existing F220214M Motor (Motor manufacturer Part No. 9-391718-60); Replaced by F8171711 1305 to 160-series AC Drive Retrofit Kit
	N/A	1305 to 160-Series AC Drive Retrofit Kit	N and P-voltage; Used with existing F220214M Motor (Motor manufacturer Part No. 9-391718-60); Includes new RFI/EMI filter
	N/A	1305 to 160-Series AC Drive Retrofit Kit	N and P-voltage; Used with existing F220214U Motor (Motor manufacturer Part No. G68094); Replaced by F8171708 1305 to 160-series AC Drive Retrofit Kit
	N/A	1305 to 160-Series AC Drive Retrofit Kit	N and P-voltage; Used with existing F220214 Motor (Premium Efficiency; Motor manufacturer Part No. H309)
	N/A	1305 to 160-Series AC Drive Retrofit Kit	N and P-voltage; Used with existing F220214 Motor (Premium Efficiency; Motor manufacturer Part No. A431)
	N/A	1305 to 160-Series AC Drive Retrofit Kit	N and P-voltage; Used with existing F220434 Motor (Motor manufacturer Part No. 7695)
	N/A	1305 to 160-Series AC Drive Retrofit Kit	N and P-voltage; Used with existing F220214U Motor (Motor manufacturer Part No. G68094); Includes new RFI/EMI filter
	N/A	1305 to 160-Series AC Drive Retrofit Kit	N and P-voltage; Used with existing F220214 Motor (Premium Efficiency; Motor manufacturer Part No. H309); Includes new RFI/EMI filter
	N/A	1305 to 160-Series AC Drive Retrofit Kit	N and P-voltage; Used with existing F220214 Motor (Premium Efficiency; Motor manufacturer Part No. A431); Includes new RFI/EMI filter
	N/A	1305 to 160-Series AC Drive Retrofit Kit	N and P-voltage; Used with existing F220434 Motor (Motor manufacturer Part No. 7695); Includes new RFI/EMI filter
	F0370854-792	160-Series AC Drive Kit	N and P-voltage; For machines previously updated with F079893010 or F079893210 1305 to 160-Series AC Drive Retrofit Kit; Requires F220236 Motor (Motor manufacturer Part No. F-391994-61) and 3.2 inch pulley
	F0370854-794	160-Series AC Drive Kit	N and P-voltage; Used with existing F220214M Motor (Motor manufacturer Part No. 9-391718-60)
	F0370854-801	160-Series AC Drive Kit	N and P-voltage; Used with existing F220214U Motor (Motor manufacturer Part No. G68094)
	N/A	160-Series AC Drive Kit	N and P-voltage; Used with existing F220214 Motor (Premium Efficiency; Motor manufacturer Part No. H309)
	N/A	160-Series AC Drive Kit	N and P-voltage; Used with existing F220214 Motor (Premium Efficiency; Motor manufacturer Part No. A431)
	N/A	160-Series AC Drive Kit	N and P-voltage; Used with existing F220434 Motor (Motor manufacturer Part No. 7695)
	F0370853-781	160-Series AC Drive Kit	T-voltage; Replaces F370853 Inverter Drive; Used with F220236 Motor (Magnetek/AO Smith; Motor manufacturer Part No. F-391994-61)
	N/A	160-Series AC Drive Kit	T-voltage; Replaces F370853 Inverter Drive; Used with F220214M Motor (Motor manufacturer Part No. 9-391718-60); Replaced by F8171608 Mitsubishi to PowerFlex 40 Drive Kit

N/A = Part no longer available

NOTE: Refer to the *Motor Manufacturer's Part Number on the Motor's Nameplate* section for help with locating the motor manufacturer's part number.

AC Drive - Models UW50PV and UW60PV (Drawing 3 of 3)



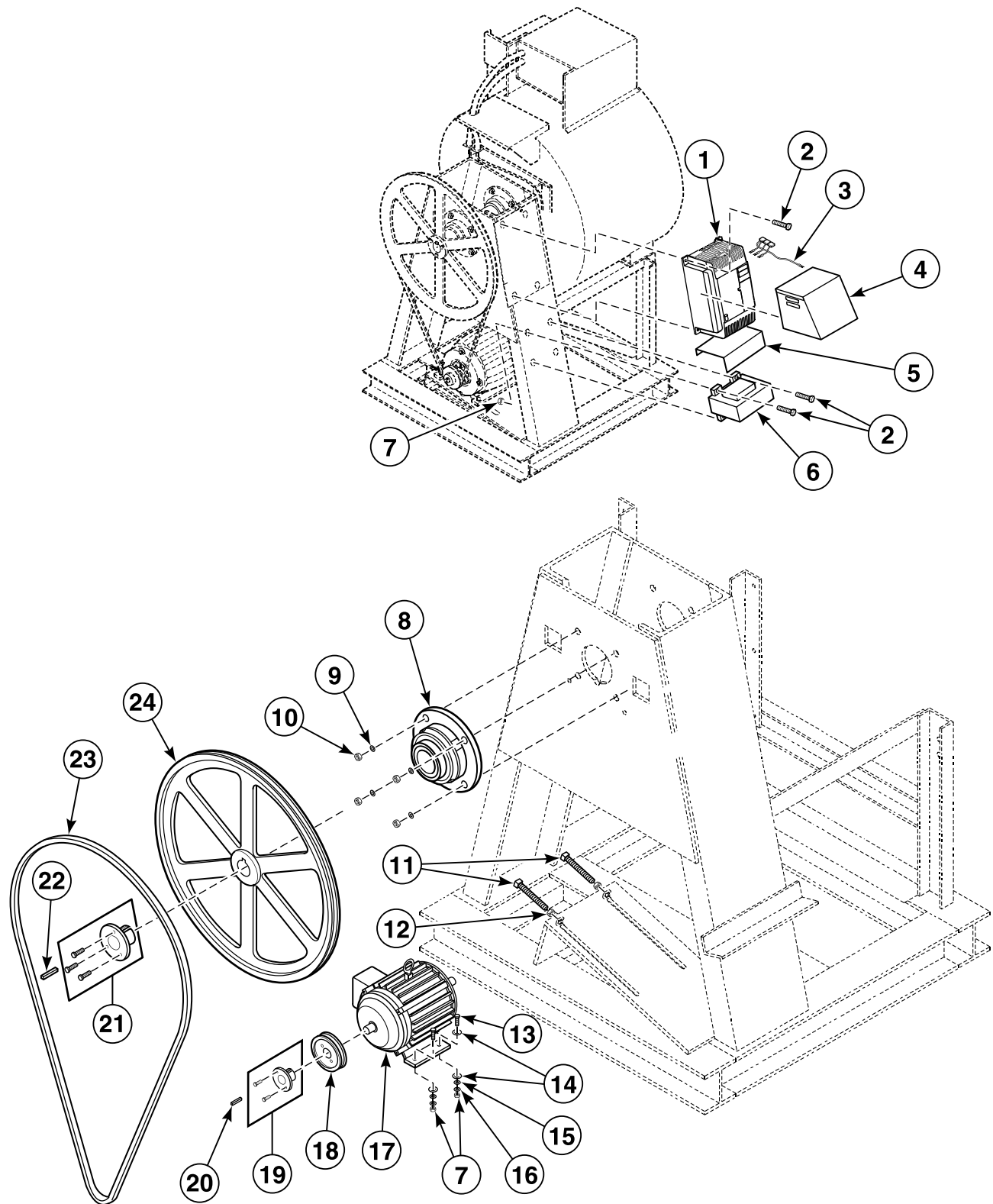
PHM2626P_F232108

AC Drive - Models UW50PV and UW60PV (Drawing 3 of 3)

REF	PART NO.	DESCRIPTION	COMMENTS
1	F8171617	Mitsubishi to PowerFlex 40 Drive Kit	Q and T-voltage models with Mitsubishi A-series drive and F220214U Motor; Includes F8103604 AC Drive
	F8171618	Mitsubishi to PowerFlex 40 Drive Kit	Q and T-voltage models with Mitsubishi A-series drive and F220214M Motor; Includes F8103607 AC Drive
	F8171619	Mitsubishi to PowerFlex 40 Drive Kit	Q and T-voltage models with Mitsubishi A-series drive and F220236 Motor; Includes F8103608 AC Drive
	F8171715	Mitsubishi to PowerFlex 40 Drive Kit	N and P-voltage models with Mitsubishi A-series drive and F220214U Motor; Includes F8103704 AC Drive
	F8171716	Mitsubishi to PowerFlex 40 Drive Kit	N and P-voltage models with Mitsubishi A-series drive and F220236 Motor; Includes F8103706 AC Drive
	F8171719	Mitsubishi to PowerFlex 40 Drive Kit	N and P-voltage models with Mitsubishi A-series drive and F220214M Motor; Includes F8103705 AC Drive
	F8171611	1305 to PowerFlex 40 Drive Kit	Q and T-voltage models with Allen-Bradley 1305-series drive and F220214U Motor; Includes F8103604 AC Drive
	F8171616	1305 to PowerFlex 40 Drive Kit	Q and T-voltage models with Allen-Bradley 1305-series drive and F220214M Motor; Includes F8103607 AC Drive
	F8171620	1305 to PowerFlex 40 Drive Kit	Q and T-voltage models with Allen-Bradley 1305-series drive and F220236 Motor; Includes F8103608 AC Drive
	F8171717	1305 to PowerFlex 40 Drive Kit	N and P-voltage models with Allen-Bradley 1305-series drive and F220214U Motor; Includes F8103704 AC Drive
	F8171718	1305 to PowerFlex 40 Drive Kit	N and P-voltage models with Allen-Bradley 1305-series drive and F220236 Motor; Includes F8103706 AC Drive
	F8171720	1305 to PowerFlex 40 Drive Kit	N and P-voltage models with Allen-Bradley 1305-series drive and F220214M Motor; Includes F8103705 AC Drive

NOTE: Refer to the *Motor Manufacturer's Part Number on the Motor's Nameplate* section for help with locating the motor manufacturer's part number.

Motor, Bearings, Pulley, Belt, Drive and Transformer - Models UW65PV and UW85PV



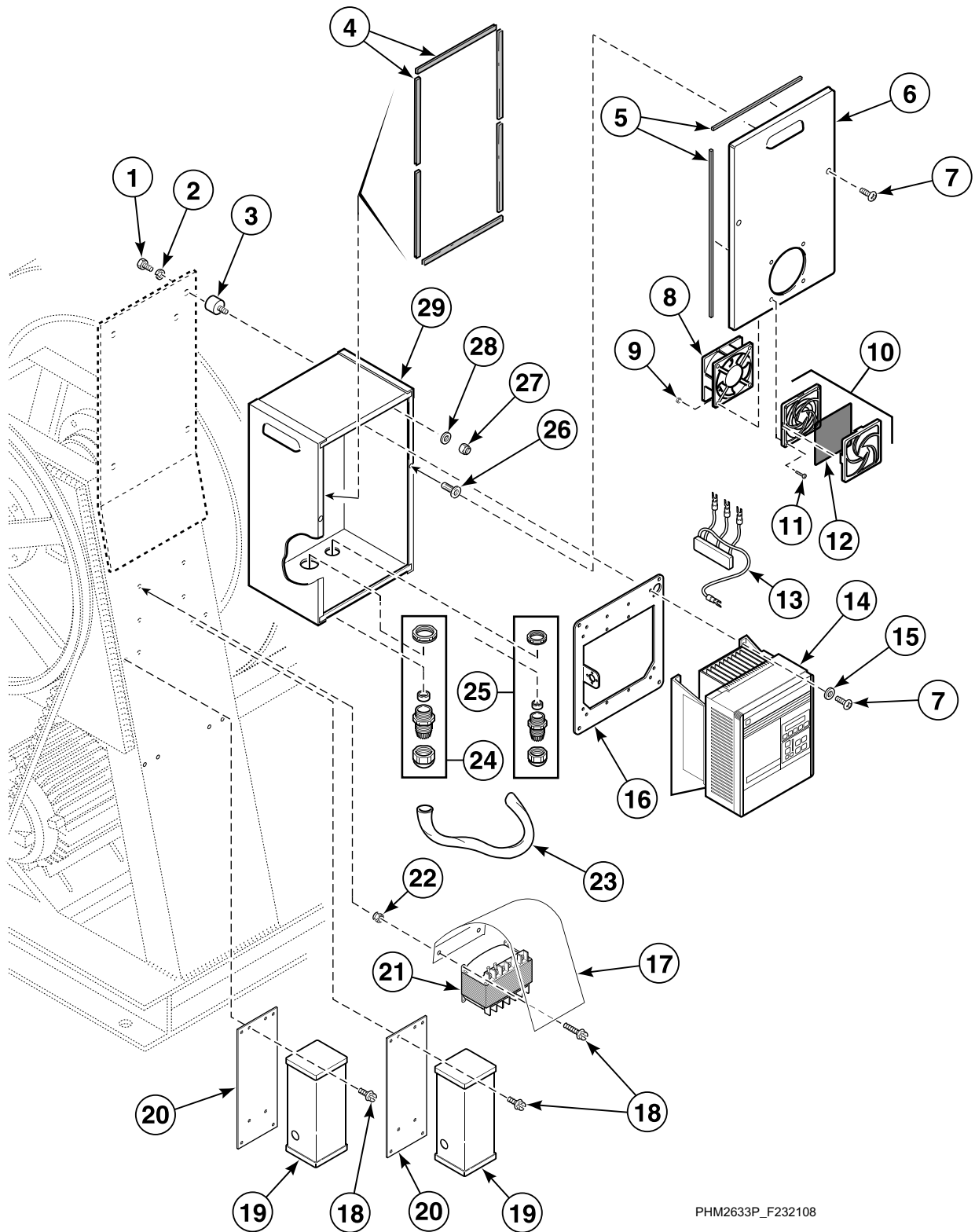
PHM2829P_F232108

Motor, Bearings, Pulley, Belt, Drive and Transformer - Models UW65PV and UW85PV

REF	PART NO.	DESCRIPTION	COMMENTS
1	N/A	Retrofit Kit	Model UW65PV; N and P-voltage; Z-series drive
	N/A	Retrofit Kit	Model UW65PV; Q-voltage; Z-series drive
	N/A	Retrofit Kit	N and P-voltage; A-series drive
	N/A	Retrofit Kit	Q-voltage; A-series drive
	N/A	Retrofit Kit	Model UW85PV; N and P-voltage; Z-series drive
	N/A	Retrofit Kit	Model UW85PV; Q-voltage; Z-series drive
	F037083500	Inverter Drive	Model UW65PV; N and P-voltage
	F370838	Inverter Drive	Model UW65PV; Q-voltage
2	F430107	Screw	Model UW65PV
3	F200320901	AC Drive Radio Filter Assembly	Model UW65PV
4	N/A	AC Drive Cover	Model UW65PV
5	F140425	Control Transformer Cover	Model UW65PV
6	C000203	Transformer	Model UW65PV; .150 Kilovolt-Ampere
	F360125P	Transformer	Model UW65PV; .250 Kilovolt-Ampere
	N/A	Transformer	Model UW65PV; .350 Kilovolt-Ampere
	F360104	Transformer	Model UW65PV; .500 Kilovolt-Ampere
7	20274	Nut	Model UW65PV
8	F798831-00	Front Bearing Kit	Includes F8162001 Seal, F100151 Bearing, F100204 Slinger, F170120 Shell Band Gasket, F170125 Shell Band Seal, F200001600 Shell Band Gasket, F410102 Clear Sealant, F430137 Screw, F430201 Nut, F430211 Nut, F430317 Washer, F430325 Washer, F430500 Screw, F430935 Screw, F431005 Nut, F431100 Washer, F431112 Washer, F431210 Pop Rivet and F704853 Key
	F745006	Rear Bearing Kit	Includes F100151 Bearing, F430123 Screw, F430202 Nut, F430326 Washer and F704854 Key
9	901957	Washer	
10	F430202	Nut	
11	F430509	Bolt	
12	20274	Nut	
13	F430993	Screw	
14	N/A	Washer	
15	M400081	Washer	
16	M400014	Washer	
17	F220216UP	Motor	Uses F220897 (62062) and F100108 (6208-22) Motor Bearings; If installing the motor onto a machine with the following serial numbers, please contact the Customer Service Department because the drive parameters may have to be changed: 49173-49181, 49183, 49185, 49599-49601; Motor manufacturer part no. G68009
18	F280146P	Pulley	3.4 inch OD; 2BK34H
	F280134	Pulley	4 inch OD; 2BK40H
19	F280242	Motor Bushing	
20	F430802	Key	
21	F280213	Bushing	
22	F430801	Key	
23	F280355	Belt	
24	N/A	Pulley	

N/A = Part no longer available

AC Drive - Model UW85PV



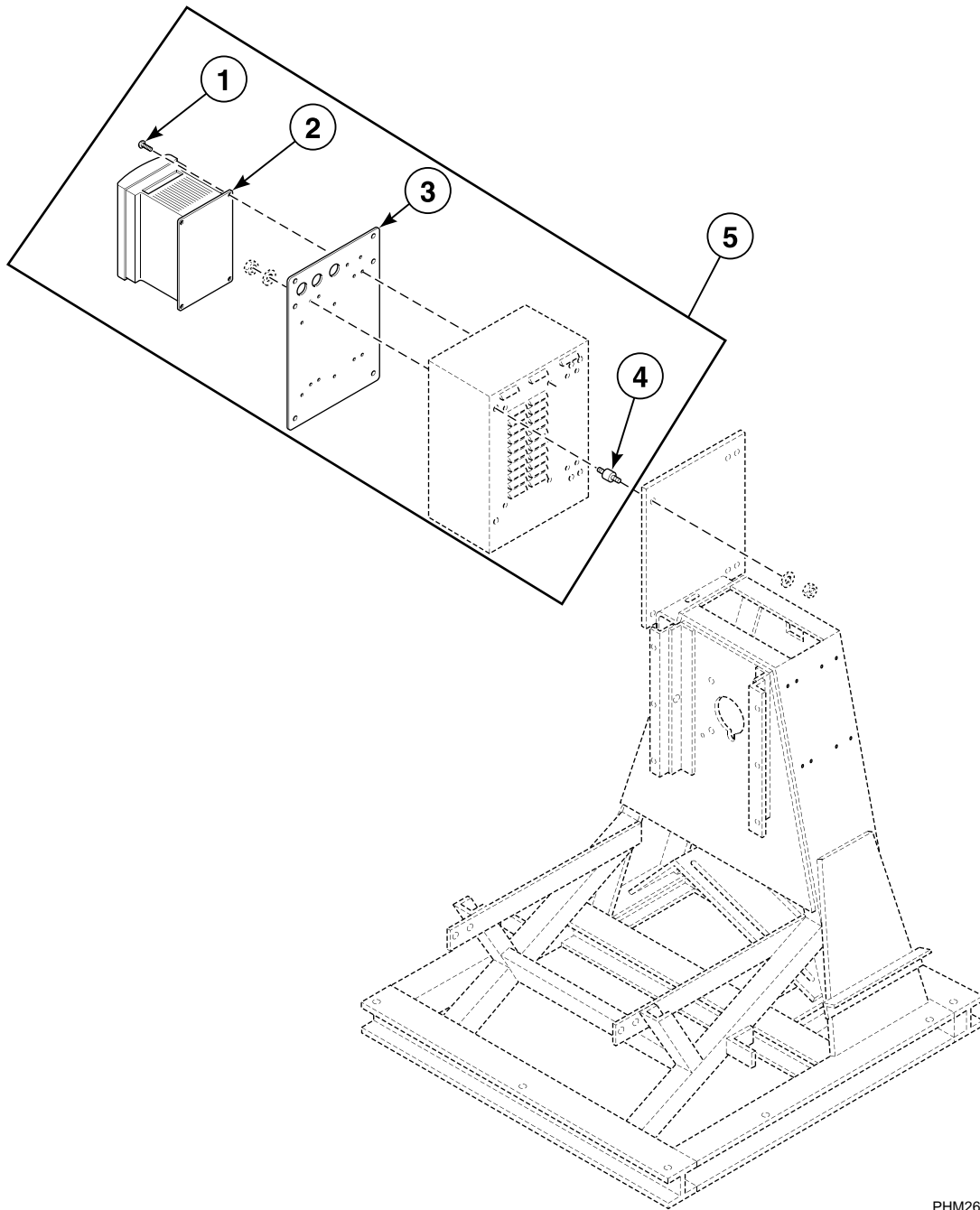
PHM2633P_F232108

AC Drive - Model UW85PV

REF	PART NO.	DESCRIPTION	COMMENTS
1	F430935	Screw	
2	F431100	Washer	
3	F432219	Sandwich Mount	
4	F200001600P	Shell Band Gasket	
5	F170402P	Gasket	
6	N/A	AC Enclosure Cover	
7	F430935	Screw	
8	F110106	Muffin Fan	120 Volt
	F110105	Muffin Fan	220 Volt
9	F430231	Nut	
10	F220900	Filter Retainer Guard	Includes item 12
11	F430916	Screw	
12	F200318900P	Filter	
13	F200320901	AC Drive Radio Filter Assembly	
	F200320900	AC Drive Radio Filter Assembly	
14	F370838	Inverter Drive	200 Volt
	F037083500	Inverter Drive	400 Volt
15	F430322	Washer	
16	F632290	Plate Assembly	Used with F037085300 and F370854 Inverter Drive
17	F140433	Cover	
18	F430107	Screw	
19	F200031100	Transformer	N-voltage
20	F631276	Transformer Adapter Plate	
21	F360125P	Transformer	
22	685846	Nut	
23	N/A	Tubing	
24	F140224	Strain Relief Connector	PG29
25	F140331	Strain Relief Connector	PG21
26	F432212	Nut	
27	F430215	Nut	
28	F430317	Washer	
29	F633755	AC Drive Box Weldment	
	F632287	AC Enclosure Assembly	Includes items 3, 6, 8, 10, 16, 24 and 25

N/A = Part no longer available

PowerFlex 40 AC Drive - Model UW85PV

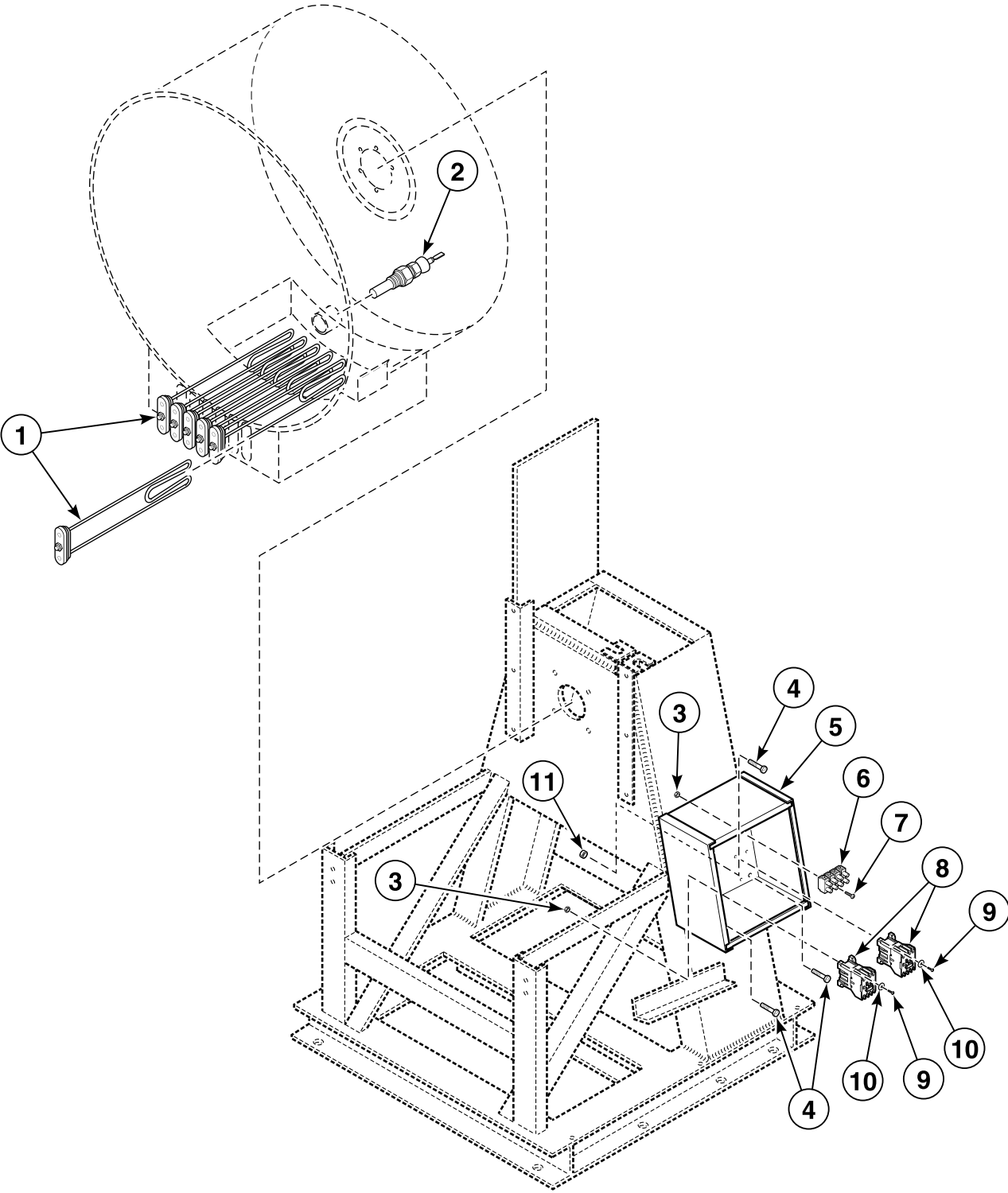


PHM2684P_F232108

PowerFlex 40 AC Drive - Model UW85PV

REF	PART NO.	DESCRIPTION	COMMENTS
1	F430920	Screw	
2	F8169633	AC Drive	Q-voltage; Requires software ID code HRWC18 or later (Software Chip F037062541); Used with F220216U Motor and F280134 Pulley
3	F8018200	Drive Mounting Plate Assembly	
4	F432219	Sandwich Mount	
5	F324201	PowerFlex 40 AC Drive Retrofit Kit	Q-voltage; Includes items 1-4, F037062541 Chip, F140700 Connector, 45121 Wire (1 foot), F140329 Strain Relief Connector (PG13.5), F140226 Cable and F140605 Cable Tie; Used with F220216U Motor and F280134 Pulley

Electric Heat Option

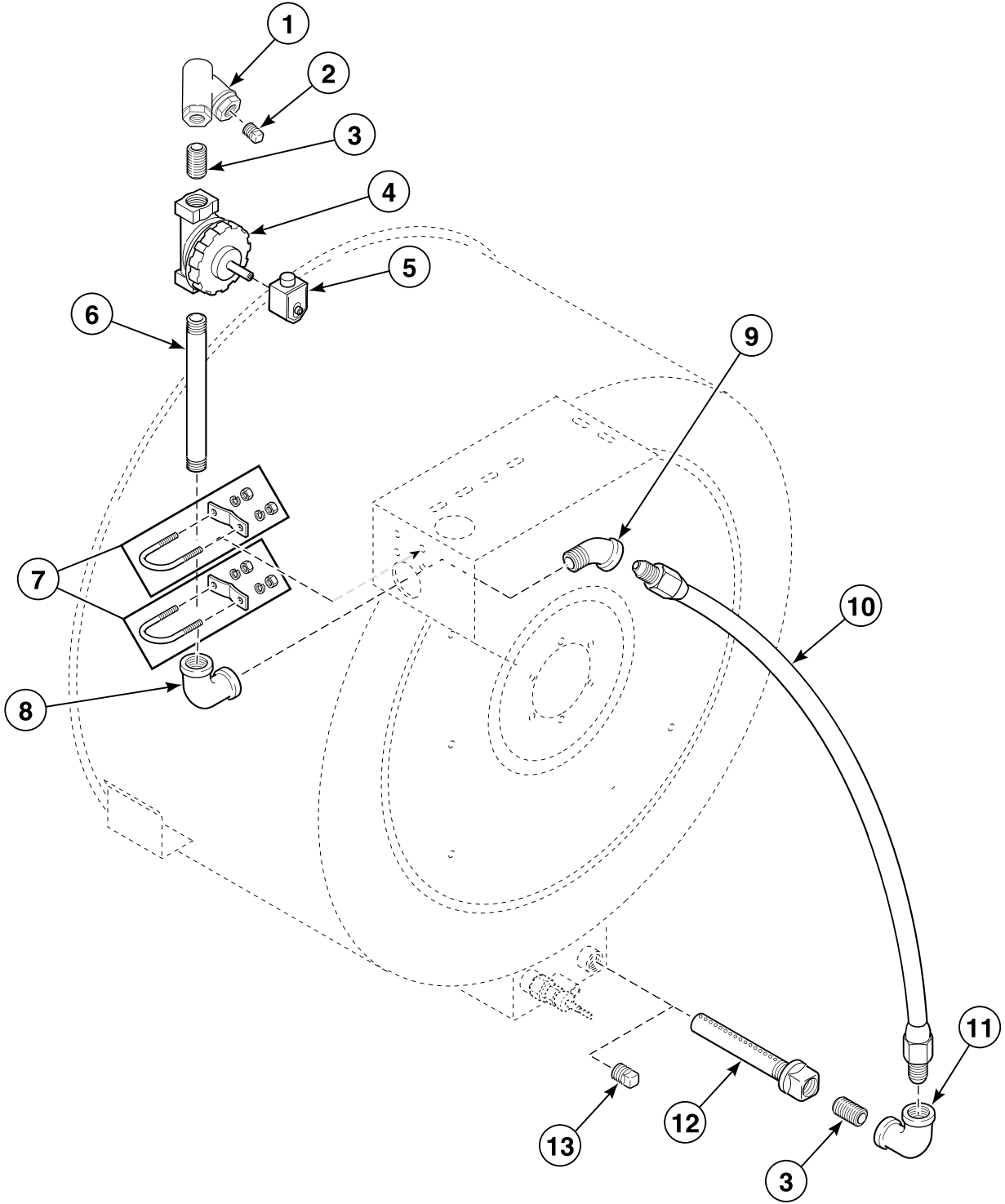


PHM2223P_F232108

Electric Heat Option

REF	PART NO.	DESCRIPTION	COMMENTS
1	F360205P	Element	Model UW50PV; 9 required
	F360203P	Heating Element	Models UW60PV, UW65PV and UW85PV; 6 required
2	F370606P	Temperature Probe	
3	F430231	Nut	
4	F430938	Screw	Models UW50PV and UW60PV
	F430107	Screw	Models UW65PV and UW85PV
5	F140413	Box	
6	F140746	Input Power Block	Models UW50PV, UW65PV and UW85PV
	F140747	Input Power Block	Model UW60PV; N and P-voltage
	M413865	Terminal Block	Model UW60PV; Q-voltage
7	F430983	Screw	N and P-voltage
	F430916	Screw	Q-voltage
8	F330150	Contactactor	Model UW50PV; P and Q-voltage
	F330180P	Contactactor	Model UW50PV; N-voltage
	F330187P	Contactactor	Models UW60PV, UW65PV and UW85PV; 120 Volt; NX208
	F330188P	Contactactor	Models UW60PV, UW65PV and UW85PV; 220 Volt; NX208
9	F430910	Screw	
10	F430311	Washer	
11	F430215	Nut	

Steam Heat Option - Models UW50PV and UW60PV



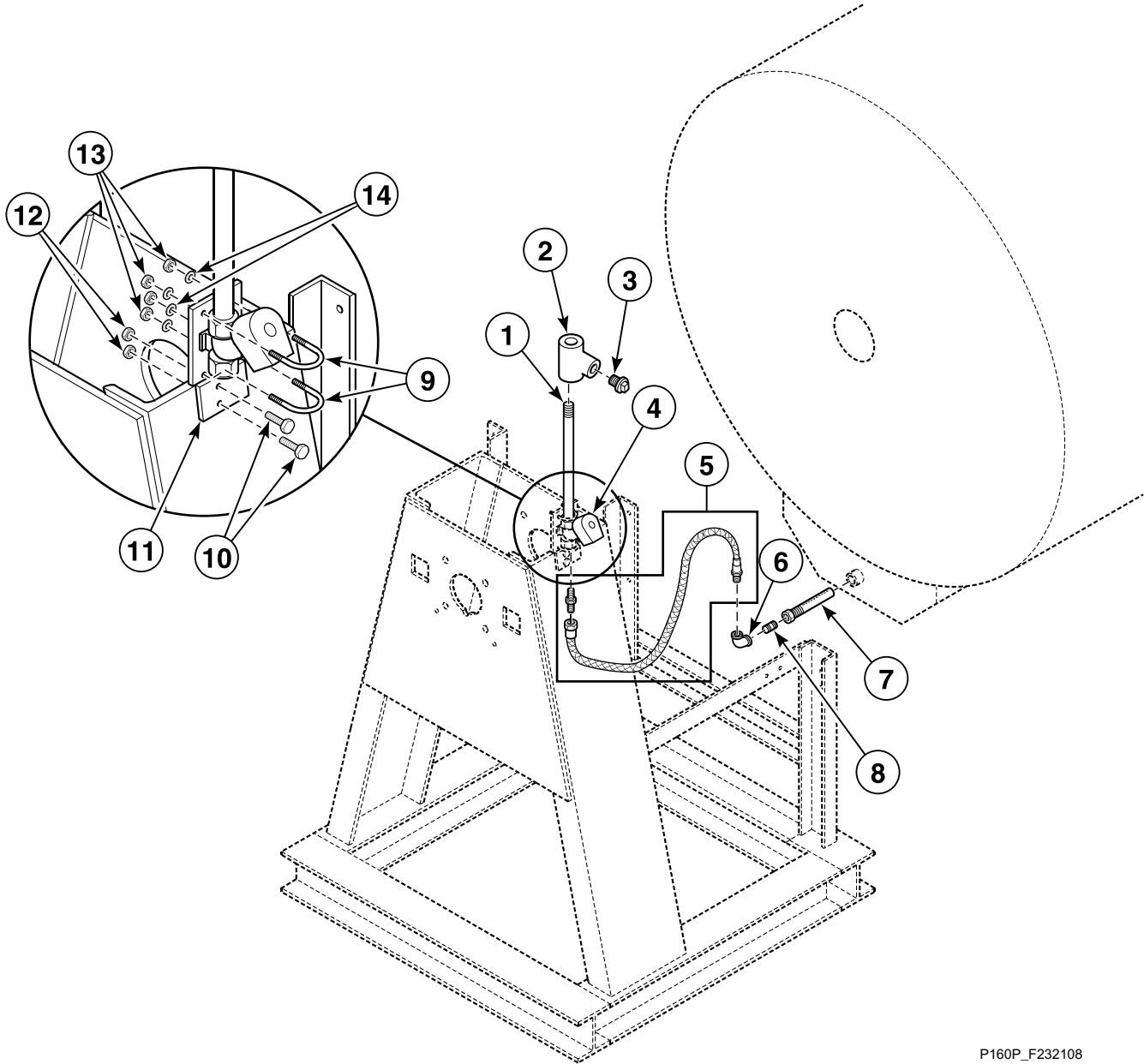
PHM2810P_F232108

Steam Heat Option - Models UW50PV and UW60PV

REF	PART NO.	DESCRIPTION	COMMENTS
	F730064	Steam Kit	Model UW50PV; Includes F140887 Harness Assembly, F200153 Steam Hose, F370606 Temperature Probe, F380786 Steam Valve, F420101 Nipple, F420501 Elbow, F430108 Screw, F430211 Nut, F430322 Washer, F601186 Steam Bracket Assembly, F603131 Steam Injection Tube Assembly, F603440 Steam Adapter Assembly, F665220 Steam Valve Harness and F70214101 Nipple
	F633413P	Steam Plumbing Assembly	Model UW60PV; 120 Volt; Includes items 1-10
	F633413-2	Steam Plumbing Assembly	Model UW60PV; 220 Volt; Includes items 1-10
	F410300	Pipe Insulation	
1	F270307	Steam Filter	
2	F420409	Plug	
3	F420707	Nipple	
4	F380786P	Steam Valve	1/2 inch; 120 Volt; F380984P Steam Valve Repair Kit; Parker
	F380787P	Steam Valve	1/2 inch; 220 Volt; F380984P Steam Valve Repair Kit; Parker
5	F380986P	DIN Coil	120 Volt
	F380987P	DIN Coil	220 Volt
6	N/A	Nipple	
7	F200401P	U-Bolt Clamp	Includes hardware
8	70079601	Elbow	
9	F421108	Elbow	
10	F200153P	Steam Hose	
11	F421703	Street Elbow	
12	F603131	Steam Injector Tube Assembly	
13	F421507	Plug	

N/A = Part no longer available

Steam Heat Option - Models UW65PV and UW85PV



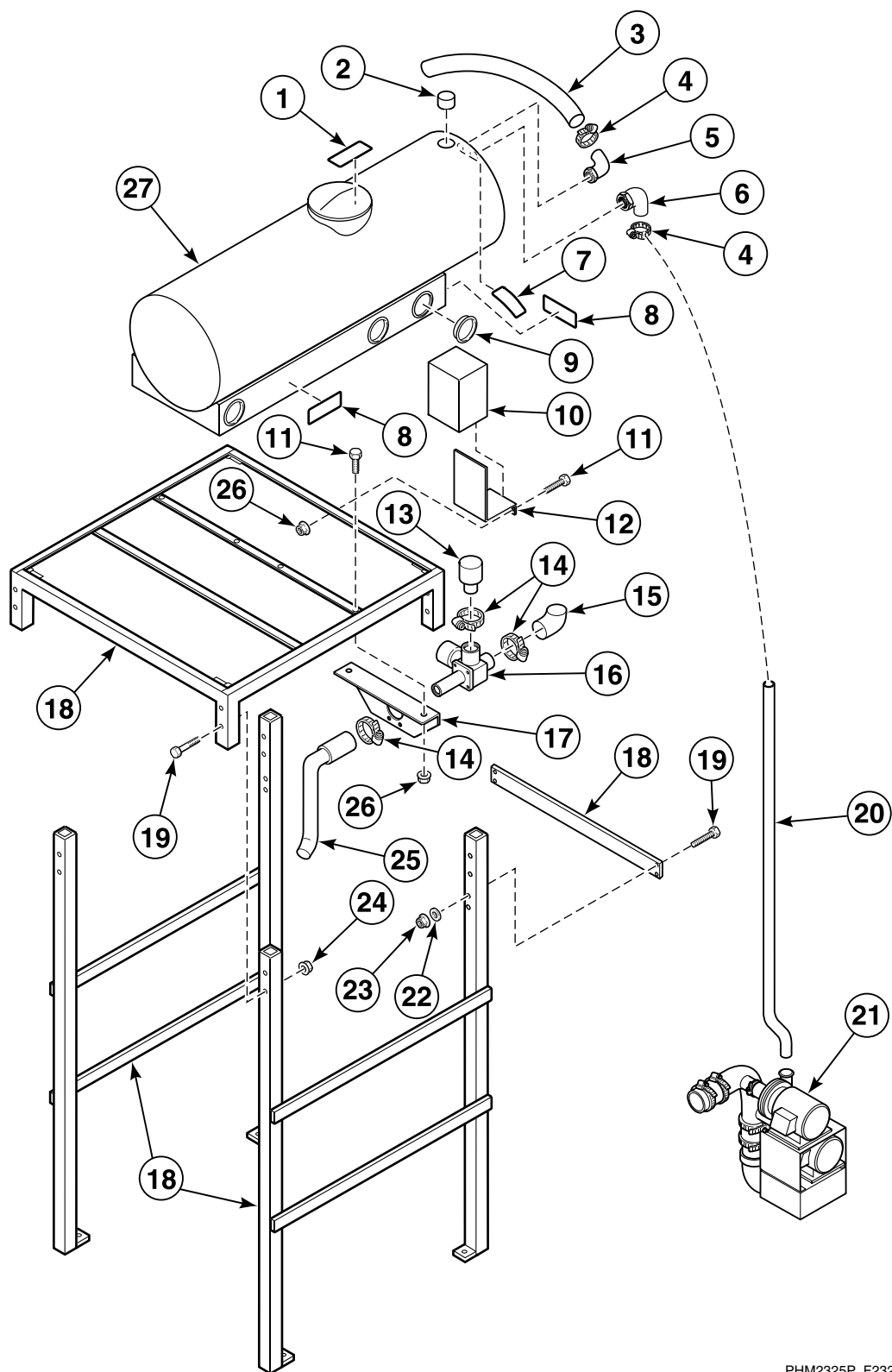
P160P_F232108

Steam Heat Option - Models UW65PV and UW85PV

REF	PART NO.	DESCRIPTION	COMMENTS
1	70214101	Pipe Nipple	
2	F270307	Steam Filter	
3	F420409	Plug	
4	F380786P	Steam Valve	
5	F200153P	Steam Hose	
6	F420501	Elbow	
7	F603131	Steam Injector Tube Assembly	
8	F420101	Nipple	
9	F200401P	U-Bolt Clamp	No. 5
10	F430913	Screw	
11	N/A	Steam Valve Bracket	
12	F430215	Nut	
13	F430211	Nut	
14	F430322	Washer	

N/A = Part no longer available

Water-Saving System Main View - Models UW50PV and UW60PV



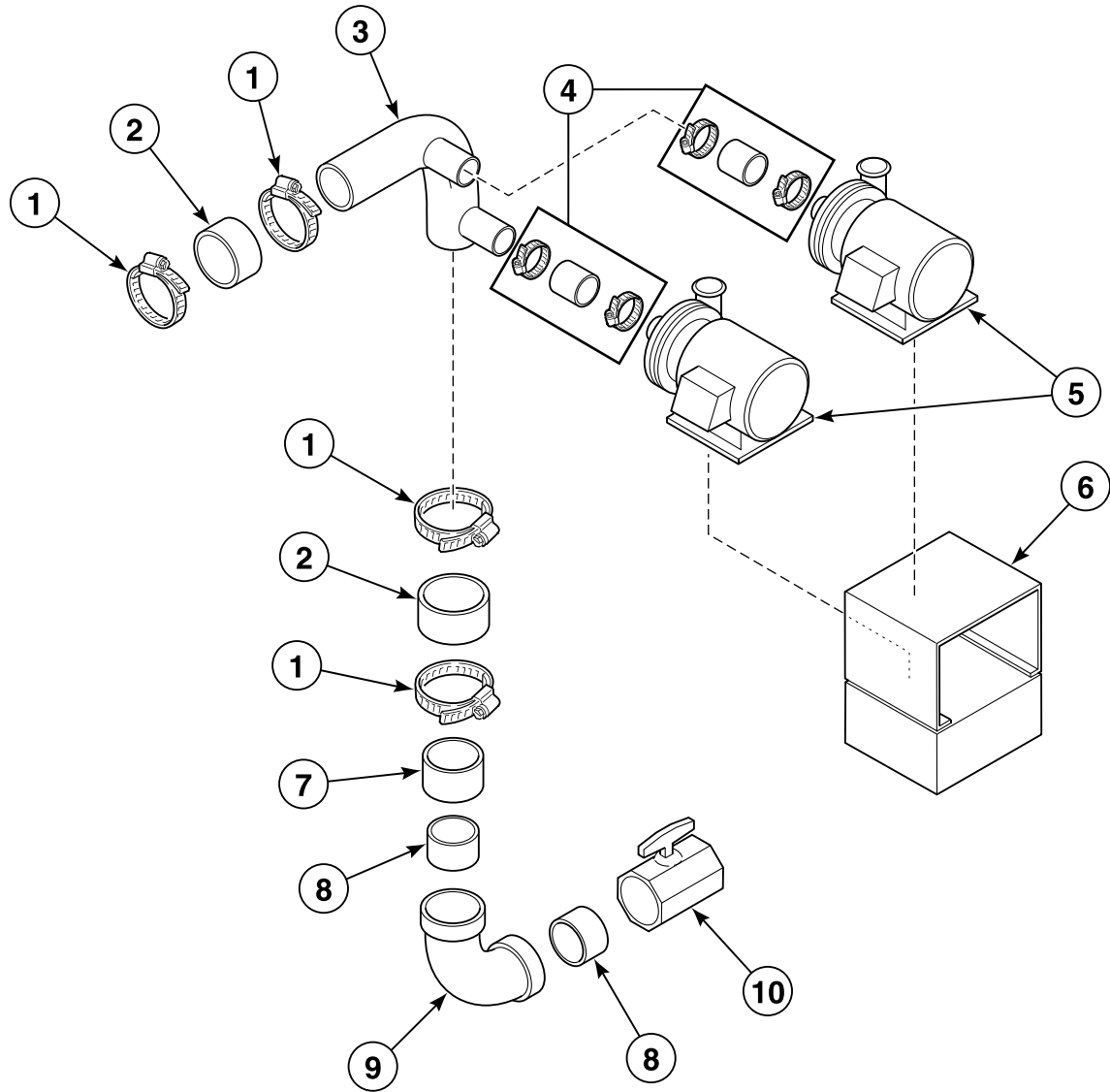
PHM2325P_F232108

Water-Saving System Main View - Models UW50PV and UW60PV

REF	PART NO.	DESCRIPTION	COMMENTS
1	F231420	Top Cover Caution Decal	
2	F380117	Vacuum Breaker	
3	F150484	Reuse Overflow Hose	
4	F200215	Hose Clamp	No. 28
5	N/A	Elbow	
6	N/A	Elbow	
7	F231419	Do Not Obstruct Decal	
8	F231418	Do Not Climb Caution Decal	
9	N/A	Cap Plug	
10	N/A	Control Module Sub-Assembly	120 Volt
	N/A	Control Module Sub-Assembly	220 Volt
11	M400056	Screw	
12	F634191	Reuse Control Enclosure Mounting Bracket	
13	F422520	Reuse Drain Reducer	
14	F200213	Hose Clamp	No. 40
15	F422914	Reuse Drain Elbow	
16	F380635P	Reuse Drain Valve	
17	F634172	Drain Valve Bracket	
18	F634413	Reuse Frame Assembly	
19	F430996	Screw	
20	F200505	Reuse Inlet Hose	
21	F634674	Pump Sub-Assembly	
22	F431100	Washer	
23	F431026	Nut	
24	F430239	Nut	
25	F0637929-01	Tank Drain Sub-Assembly	
26	F430233	Nut	
27	F191008	Reuse Tank	

N/A = Part no longer available

Water-Saving System Pump Sub-Assembly - Models UW50PV and UW60PV

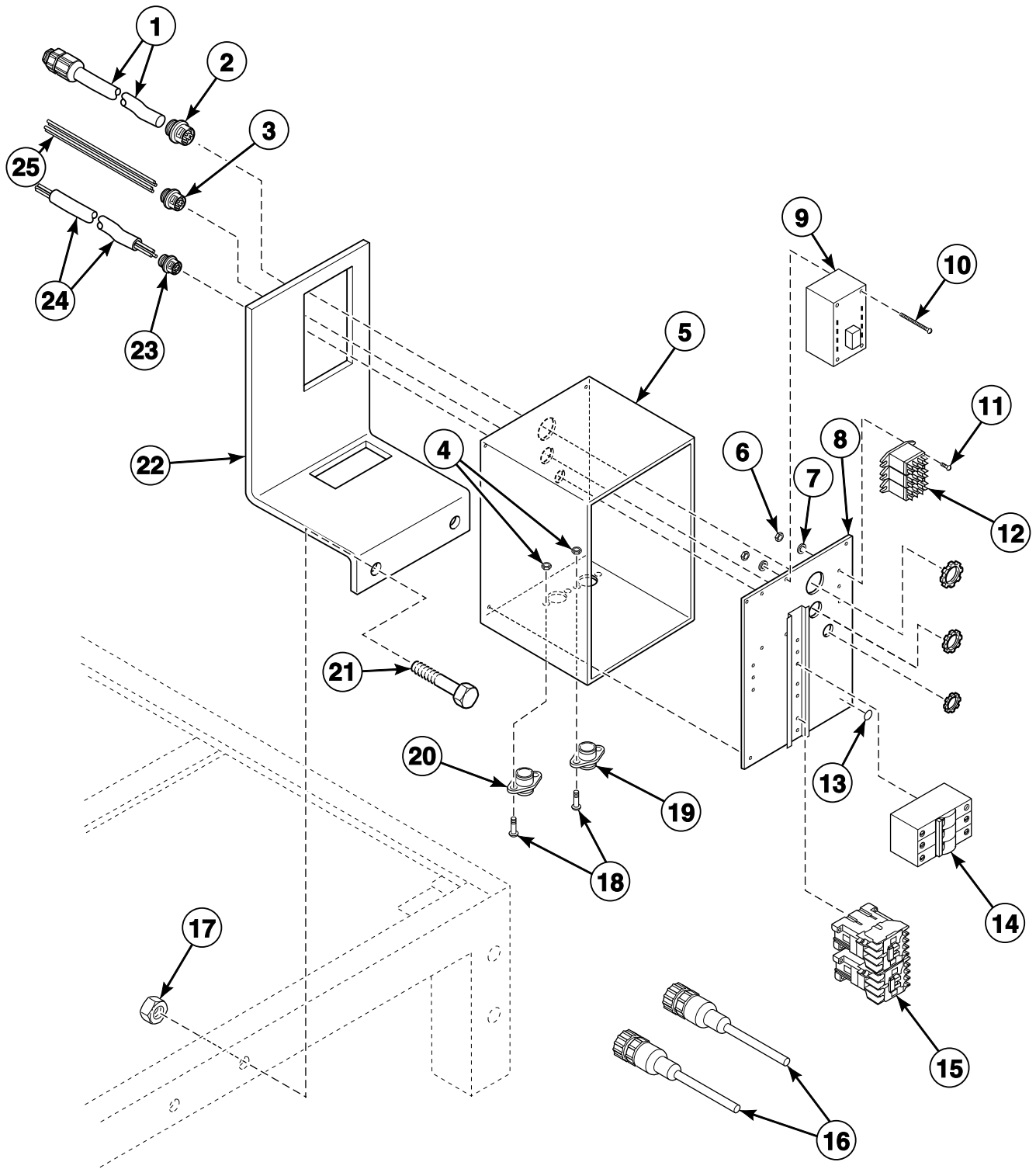


PHM789B_F232108

Water-Saving System Pump Sub-Assembly - Models UW50PV and UW60PV

REF	PART NO.	DESCRIPTION	COMMENTS
1	F200201	Hose Clamp	No. 56
2	F150442	Drain Hose	
3	F250707	Reuse Pump Manifold	
4	F422515	Tube Connector	
5	F270102P	Pump	
6	F634267	Reuse Pump Platform Assembly	
7	F150308	Overflow Hose	
8	F0602364-04	Pipe	
9	F422900	Elbow	
10	F380634	Ball Valve	

Water-Saving System Control Module Sub-Assembly - Models UW50PV and UW60PV



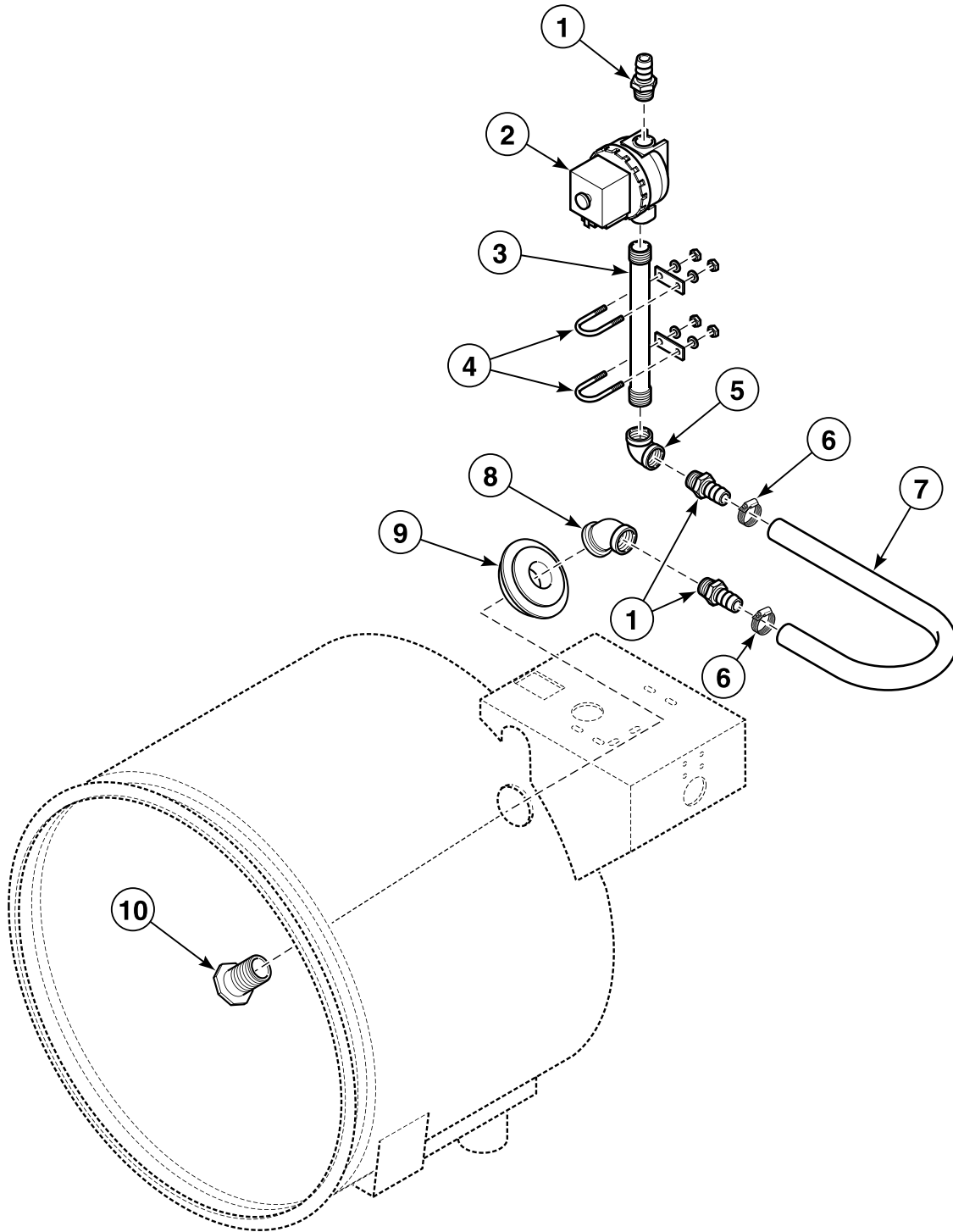
PHM2698P_F232108

Water-Saving System Control Module Sub-Assembly - Models UW50PV and UW60PV

REF	PART NO.	DESCRIPTION	COMMENTS
1	N/A	Reuse Control Cable Assembly	
2	F140331	Strain Relief Connector	Includes nut
3	F140328	Strain Relief Connector	Includes nut
4	F430231	Nut	
5	F140432	Box	
6	F431022	Nut	
7	F431113	Washer	
8	F634278	Control Panel Sub-Assembly	
9	F370437P	Relay CCA	120 Volt
10	F430910	Screw	
11	F430916	Screw	
12	F0330289-00	Flange Mount Relay	9 vdc
13	F230739	Ground Decal	
14	F350207P	Circuit Breaker	
15	F330175P	Contactors	120 Volt
16	F140254	Reuse Pump Motor Cable Assembly	B
	F140255	Reuse Pump Motor Cable Assembly	A
17	F430233	Nut	
18	F430928	Screw	
19	N/A	Pump A Harness Assembly	
20	F141876	Pump B Harness Assembly	
21	M400056	Screw	
22	F634191	Reuse Control Enclosure Mounting Bracket	
23	F140330	Strain Relief Connector	Includes nut
24	F140245	Cable	
25	45257	14 Gauge Wire	Order 15 feet; Gray
	N/A	14 Gauge Wire	Order 5 feet; Green/yellow

N/A = Part no longer available

Auxiliary Water Reuse Inlet - Models UW50PV and UW60PV

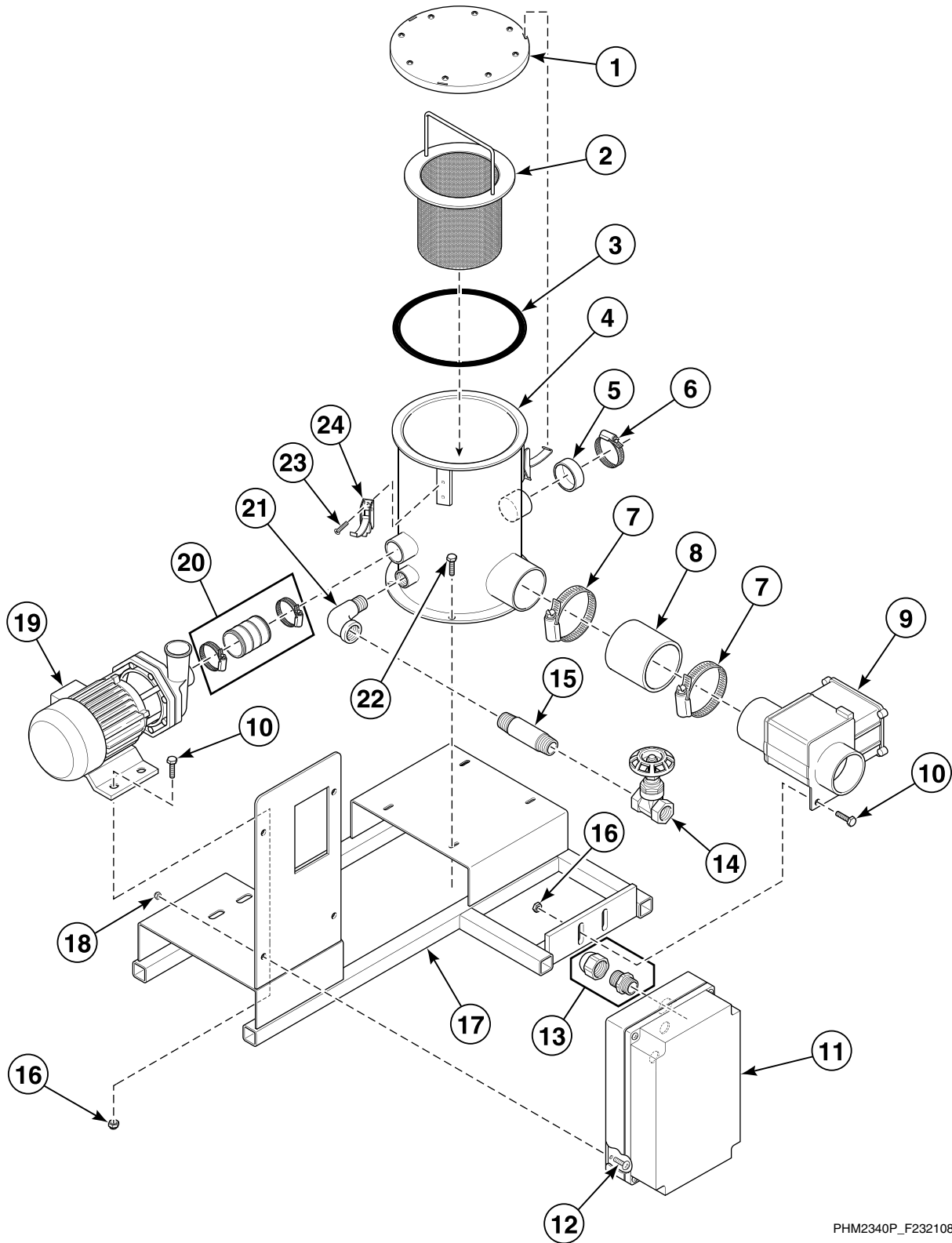


PHM2339P_F232108

Auxiliary Water Reuse Inlet - Models UW50PV and UW60PV

REF	PART NO.	DESCRIPTION	COMMENTS
	F200099900	Auxiliary Water Reuse Inlet	Includes all items on this page
	F200096900	Extra Inlet Assembly	Includes items 1, 5, 9 and 10
1	F421951	Hose Barb	
2	F381701P	Valve	3/4 inch
3	F0421970-00	Nipple	
4	F200401P	U-Bolt Clamp	
5	F422314	Elbow	
6	F200222	Hose Clamp	No. 12
7	F200104P	Hose	
8	F422314	Elbow	
9	F200098900	Wet-Clean Inlet Grommet	
10	F200096800	Inlet Compression Weldment	

Wet-Clean Assembly Main View - Models UW50PV and UW60PV



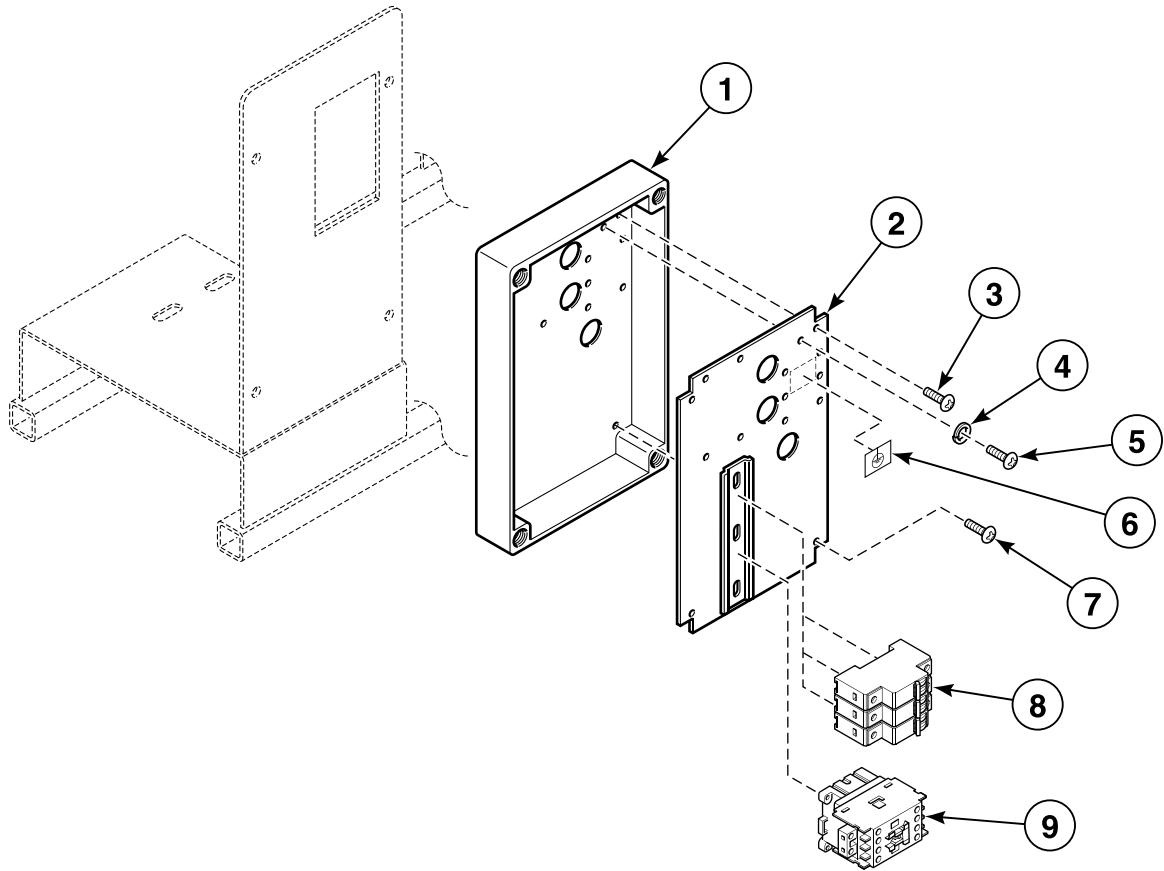
PHM2340P_F232108

Wet-Clean Assembly Main View - Models UW50PV and UW60PV

REF	PART NO.	DESCRIPTION	COMMENTS
	N/A	Wet-Clean Canister Stand Assembly	Includes items 1-9, 14, 15, 17, 19-21 and 24
1	F630300	Cover Assembly	
2	F630298	Filter Basket Weldment	
3	F170218	Canister Cover O-Ring	
4	F632355	Drain Canister Weldment	
5	F150352	Overflow Plug	
6	F200215	Hose Clamp	No. 28
7	F200201	Hose Clamp	No. 48
8	F150442	Drain Hose	
9	F380631	Drain Valve	
10	F430939	Screw	
11	F635664	Control Module Sub-Assembly	
12	F430932	Screw	
13	F140328	Strain Relief Connector	PG9
	F140330	Strain Relief Connector	PG16
	F140331	Strain Relief Connector	PG21
14	F380500	Gate Valve	
15	F421915	Nipple	
16	F431024	Nut	
17	F632693	Canister Stand Weldment	
18	F430232	Nut	
19	F270102P	Pump	
20	F422515	Tube Connector	
21	F422304	Street Elbow	
22	F430923	Screw	
23	F430903	Screw	
24	F432201	Draw Latch	

N/A = Part no longer available

Wet-Clean Assembly Control Module - Models UW50PV and UW60PV



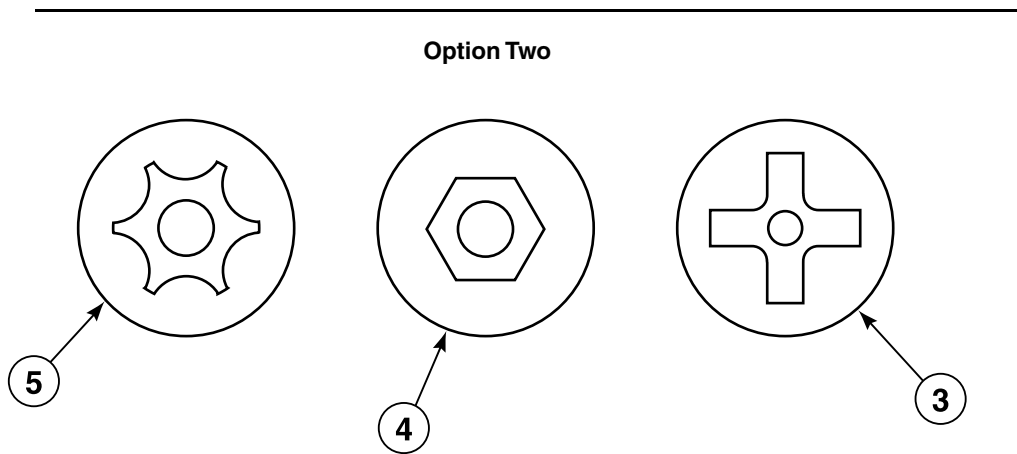
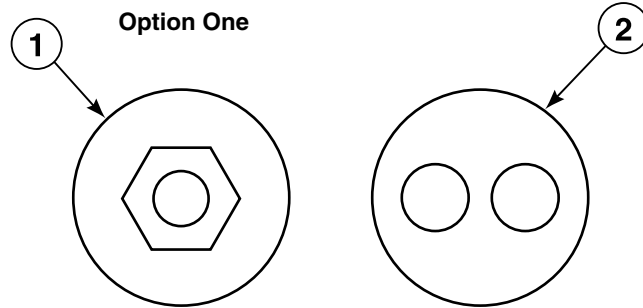
PHM2341P_F232108

Wet-Clean Assembly Control Module - Models UW50PV and UW60PV

REF	PART NO.	DESCRIPTION	COMMENTS
1	F140432	Box	Includes items 3 and 7
2	F634278	Control Panel Sub-Assembly	Includes items 4-6, 8 and 9
3	N/A	Screw	
4	N/A	Washer	
5	F430928	Screw	
6	F230739	Ground Decal	
7	N/A	Screw	
8	F350207P	Circuit Breaker	
9	F330177P	Contactator	

N/A = Part no longer available

Security Fasteners



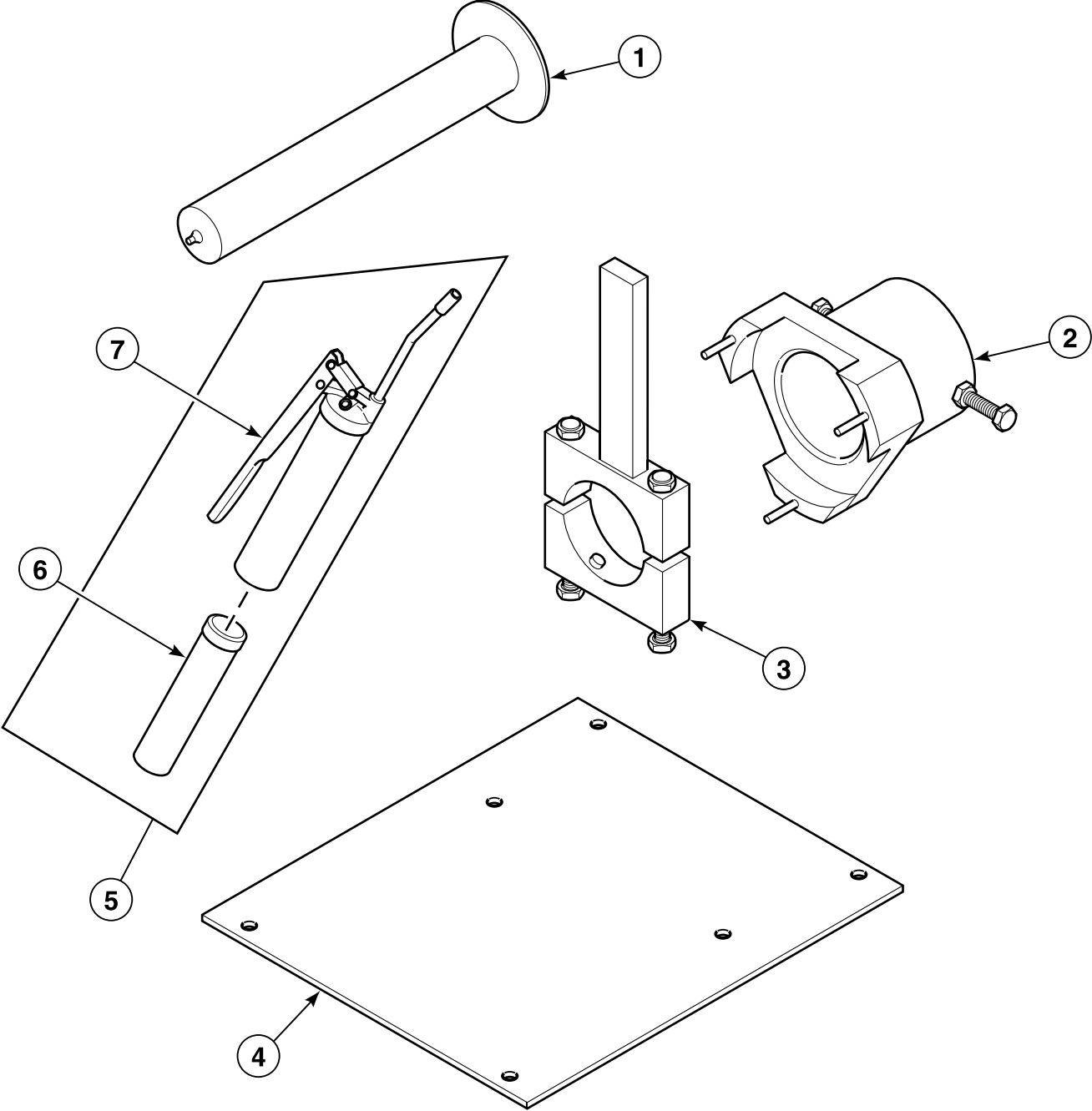
PHM2181P_F232108

Security Fasteners

REF	PART NO.	DESCRIPTION	COMMENTS
1	F0430275-00	Screw	No. 8; 32 x 1/2 inch; Used in place of F430956 Screw; Typical location is the side panels and module cover
	F430960	Screw	No. 10; 32 x 3/8 inch; Used in place of F430904 Screw; Typical location is the module to the shell
	F704906	Hex Bit	
2	F0430273-00	Screw	1/4 inch; 20 x 2-1/2 inch; Used in place of F430996 Screw; Typical location is the door box to the bracket
	F0430272-00	Screw	1/4 inch; 20 x 1-1/2 inch; Used in place of F430921 Screw; Typical location is the side panel to the bracket
	F0430274-00	Screw	1/4 inch; 20 x 1/2 inch; Used in place of F430925 Screw Typical location is the drive box or the cover
	F704907	Spanner Bit	
3	F432260	Screw	1/4 inch; 20 x 2-1/2 inch; Used in place of F430996 Screw; Typical location is the door box to the bracket
	N/A	Phillips Bit	
4	N/A	Screw	1/4 inch; 20 x 1/2 inch; Used in place of F430925 Screw; Typical location is the drive box or cover
	N/A	Hex Bit	
5	F432259	Screw	No. 8; 32 x 1/2 inch; Used in place of F430956 Screw; Typical location is the side panels and module cover
	281P4	Torx Bit	

N/A = Part no longer available

Special Tools



PHM2978P_F232108

Special Tools

REF	PART NO.	DESCRIPTION	COMMENTS
	F370851P	HIM Drive	Used with 160-series AC Drives
	F730055-1	Mounting Bolt Kit	
	F798770	Rebar Frame Kit	Models UW50PV and UW60PV; Order with equipment
1	F633426	Alignment Shaft Assembly	Models UW50PV and UW60PV
	F633430	Shaft Assembly	Models UW65PV and UW85PV
2	F200274700	Seal Alignment Fixture Assembly	Model UW60PV
3	F460130	Bearing Removal Tool	Model UW50PV
	F460132	Bearing Removal Tool	Models UW65PV and UW85PV
4	F602941	Rebar Frame Template	Models UW50PV and UW60PV
	N/A	Template	Model UW65PV
	F601648	Rebar Frame Template	Model UW85PV
5	F798700	Grease Gun Kit	Includes items 6 and 7
6	F210206P	Bearing Grease	
7	F210207P	Grease Gun	

N/A = Part no longer available

Motor Manufacturer's Part Number on the Motor's Nameplate

Models UW50PV and UW60PV

F220214 Premium Efficiency



Motor
Manufacturer
Part No.
H309 OR A431

PHM2380P

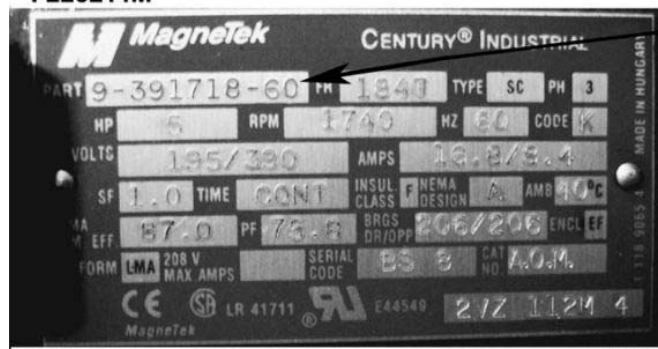
F220214U



Motor
Manufacturer
Part No.
G68094

PHM2599P

F220214M



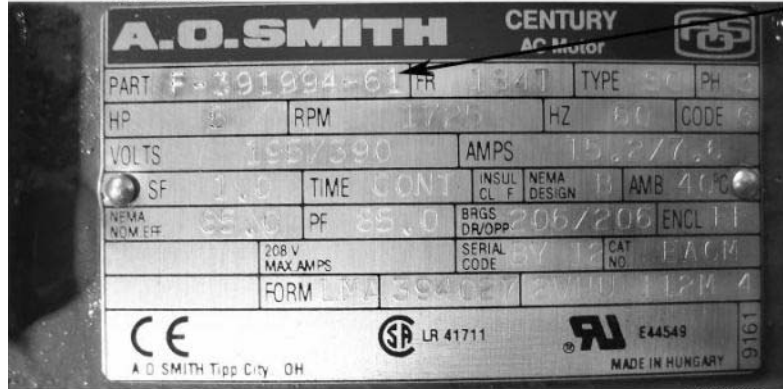
Motor
Manufacturer
Part No.
9-391718-60

PHM2600P

Motor Manufacturer's Part Number on the Motor's Nameplate

Models UW50PV and UW60PV

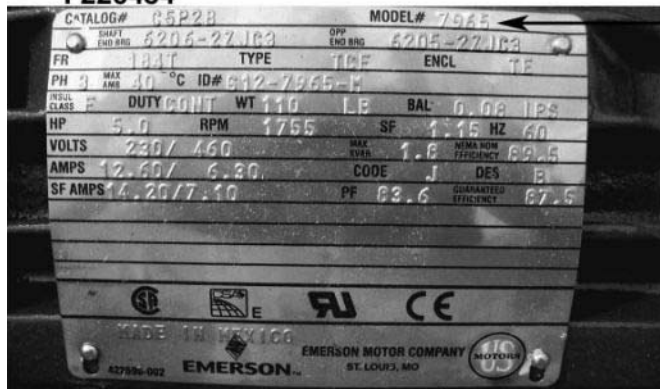
F220236



Motor
Manufacturer
Part No.
F-391994-61

PHM2364P

F220434



Motor
Manufacturer
Part No.
7965

PHM2365P

Parts Index

A

AC Drive	
F8169633	83
AC Drive Box Cover	
F609726	69
F633382	69
AC Drive Box Weldment	
F633401	69
F633755	69, 81
AC Drive Kit, 160-Series	
F0370853-781	75
F0370853-792	73
F0370853-793	73
F0370853-801	73
F0370854-792	75
F0370854-794	75
F0370854-801	75
AC Drive Radio Filter Assembly	
F200320900	69, 81
F200320901	79, 81
AC Enclosure Assembly	
F632287	81
Adapter	
F421903	47, 49
F422508	59
F8265701	47, 51
Air Trap Hose	
F200142	21
F200163	21
Alignment Shaft Assembly	
F633426	105
Auxiliary Water Reuse Inlet	
F200099900	97

B

Balance Switch Bracket	
F601750	23
Ball Valve	
F380634	93
Basket Assembly	
F603427	33
F603697	33
F632015	33
Battery	
F191101	13
Bearing	
F100150	67
Bearing Grease	
F210206P	105
Bearing Removal Tool	
F460130	105
F460132	105
Before Power Is Connected Tag	
F230501	11
Belt	
F280353	67
F280355	79

Belt Inspection Port Cover	
F200188300	25
Bolt	
F0430540-00	23
F430509	79
Box	
F140413	85
F140432	95, 101
Box Assembly	
F609849	69
Bushing	
F140800	19
F280213	79
F280257	67
F280409P	67
Buzzer	
F300203P	21
F300206	21

C

Cable	
F140245	95
Cable Assembly	
F604713	17
Cable Tie	
F140605	13, 67
F140606	13
Cage Wrap Assembly	
F630115	25
F633205	25
Cage Wrap Kit	
F757800	25
Canister Cover O-Ring	
F170218	99
Canister Stand Weldment	
F632693	99
Chafe Strip	
F601244	65
Chemical Supply Cup	
F150385	35, 37
F150386	35, 37
Chemical Supply Hose	
F150392	35
F150469	37
F150471	37
Circuit Breaker	
F350207P	95, 101
F350210	17
Clockwise Spin Rotation Decal	
F230652	11, 27
Coil	
F380900	39, 43
F380901P	49, 53
F380917	39
Cold Water Valve Decal	
F231368	11
Computer Cover	
F606826	13

N/A items do not appear in index.

Conductor Decal F231146.....	11	Door Box Assembly F603665.....	29
Connector F140305.....	19	F603666P.....	29
F140309.....	19, 69	Door Box Mounting Plate Assembly F605525.....	29
F140575P.....	17	Door Box Mounting Plate Kit F746806.....	29
F140576P.....	17	Door Bumper Bushing F430416.....	27
F422500.....	21	Door Bumper Moulding F150366.....	27
J1408004.....	67	Door Butt Shim F0610695-00.....	27
Contact Block Switch F200233401.....	13	Door Extension Arm F602256.....	29
F340445.....	13	Door Gasket F017014501.....	27
Contactactor F330150.....	85	F170145.....	27
F330175P.....	15, 95	Door Glass Gasket F170117.....	27
F330177P.....	15, 101	Door Glass Kit F290200P.....	27
F330178P.....	15	Door Glass Retainer F601239.....	27
F330180P.....	85	Door Handle Casting F150203.....	29
F330187P.....	85	Door Hinge Pin F601815.....	27
F330188P.....	85	Door Hinge Strap Kit F20030600P.....	27
Containment Device F0380809-00.....	55	Door Kit F730307.....	27
Control Module Cover F634558.....	13	F730539.....	27
Control Module Decal F230721.....	13	F730540.....	27
Control Module Sub-Assembly F635664.....	99	Door Latch Bracket Shim F602058.....	29
Control Panel Sub-Assembly F634278.....	95, 101	Door Lock Solenoid F300118P.....	29
Control Transformer Cover F140425.....	69, 79	F300129P.....	29
Coupling F420301.....	61	Drain Canister Weldment F632355.....	99
Cover F140433.....	81	Drain Conversion Kit F0798776-00.....	65
Cover Assembly F630300.....	99	Drain Hose F150438.....	57, 59
		F150442.....	57, 59, 93, 99
		F200165100.....	57, 59, 61
		Drain Lift Tube F602101.....	65
		Drain Motor F380943P.....	63
		Drain Valve F038062800.....	57, 59, 63
		F380631.....	99
		Drain Valve Bracket F634172.....	91
		Drain Valve Cover F200133600.....	57, 59, 63
		Drain Valve Kit F200166302.....	63
		F200166402.....	59, 63
		Drain Valve Motor F380932P.....	57, 59, 63, 65
		F380933P.....	59, 63, 65

D

Diaphragm and Guide Kit G581P3.....	41
DIN Coil F380986P.....	45, 47, 51, 87
F380987P.....	45, 47, 51, 87
DIN Harness F141901.....	47, 51
Disconnect Power Warning Label 505281.....	11, 13
Dispenser Assembly F0150512-00P.....	35, 37
Dispenser Lid F0150514-00.....	35, 37
Do Not Climb Caution Decal F231418.....	91
Do Not Obstruct Decal F231419.....	91
Do Not Push Decal F230302.....	11, 25
Door Box F606630.....	29

N/A items do not appear in index.

Drain Valve Motor and Gear Box Assembly G159764P	63
Drain Valve Motor Cover F602372	65
Drain Valve Motor Linkage F602274	65
Draw Latch F432201	99
Drive Kit, 1305 to PowerFlex 40	
F8171611	73, 77
F8171616	73, 77
F8171620	77
F8171717	77
F8171718	77
F8171720	77
Drive Mounting Plate Assembly F8018200	83

E

Elbow	
F420501	89
F420509	47, 49, 51
F421108	87
F422314	97
F422319	27
F422900	57, 61, 93
70079601	87
Element F360205P	85
Emergency Stop Button Kit F200233700P	13
Emergency Stop Decal F231083	13
Emergency Stop Pushbutton F200233500	13
Extension Arm Kit	
F746803	29
F746804	29
Extension Arm Tab F601639	29
External Supply Box F633434	13
External Supply Box Cover F633435	13
External Supply Connection Decal F230917-1	11
External Supply Control Decal F230606	21, 43
External Supply Decal F230622	43
F230764	21
Extra Inlet Assembly F200096900	97
Extrusion Insert F150397	25

F

Face Seal	
F8162001	31
F8162101	31

Fill Assembly F605792	57
Filter F200318900P	69, 81
Filter Basket Weldment F630298	99
Filter Retainer Guard F220900	69, 81
Flange Mount Relay F0330289-00	95
Flange Relay F330227	15
F330230	15
Flow Restrictor F380104	43
Frame Assembly	
F601560	33
F601921	33
F604890	33
Front Bearing Kit	
F798824-00	67
F798831-00	79
Front Panel	
F601198P	25
F609744P	25
Fuse	
F350108	15
F350109	15
F350110	15
F350115	15, 21
F350117	17
F350133	15
Fuse Holder	
F0350312-10	21
F350304P	17

G

Gasket F170402P	43, 81
Gate Valve F380500	47, 99
Grease Fitting F190701	67
Grease Gun F210207P	105
Grease Gun Kit F798700	105
Grease Manifold F320326	67
Ground Decal	
F230630	19
F230739	95, 101
Ground Terminal Lug F140734	19

H

Handle Spacer F609822	29
Heating Element F360203P	85

N/A items do not appear in index.

Hex Bit	
F704906	103
HIM Drive	
F370851P	105
Hose	
F200104P	47, 97
F200126	61, 65
Hose Adapter	
F421908	45, 49
F421909	47, 49, 51, 53
Hose Barb	
F421929	57, 59, 61
F421930	53
F421951	47, 97
Hose Clamp	
F200201	57, 59, 61, 65, 93, 99
F200213	35, 37, 57, 59, 61, 91
F200215	21, 57, 59, 63, 91, 99
F200222	47, 97
36801	39, 41, 43, 47, 57, 59
Hose Connector	
F200302	39, 41, 43
Hose Strap	
F605324	25
Hot Surface Warning Decal	
F200085000	11
F231380	11
Hot Water Valve Decal	
F231367	11

I

Injection Nozzle	
F380300	37
F8322001	35
Injection Nozzle Kit	
F730168	35, 37, 43
Inlet Compression Weldment	
F200096800	97
Input Power Block	
F140746	19, 85
F140747	85
Input Power Connector Decal	
F230677	19
Insulator Bushing	
F140909	19, 21, 43
Interlock Switch	
F340900	23, 29
Interlock Switch Spacer	
F601055	29
Inverter Drive	
F037083500	79, 81
F370838	79, 81

J

Jumper Kit	
F784003P	15

K

Key	
F430801	79
F430802	67, 79
F430803	67
Keymode Assembly	
F200174600P	17
Keymode Decal	
F230678	17
Keymode Run/Program Switch	
F340800P	17
Keypad Decal	
F230724P	13

L

Left Side Panel	
F602893	25
F602894	25
Light	
F350412	17
Lower Door Latch Bracket Casting	
F150202	29
Lower Door Latch Casting	
F150204	29
Lower Hose	
F150391	35
Lubrication Instruction Decal	
F230745	67

M

Magnet	
F340703	29
Magnetic Switch	
F0340723-00	29
Magnetic Switch Assembly	
F200321200	29
Main Drive Kit	
F380918	57, 59, 63
Manual Bearing Greasing Retrofit Kit	
F745401	67
Microswitch	
F340906	23, 29
Mitsubishi to PowerFlex 40 Drive Kit	
F8171617	77
F8171618	77
F8171619	77
F8171715	77
F8171716	77
F8171719	77
Module Sub-Assembly	
F604711-2	13
Momentary Switch	
F340412	13
Motor	
F220214MP	67
F220214UP	67
F220216UP	79

N/A items do not appear in index.

Motor Bushing F280242	79
Motor Pulley Bushing F280211P	67
Mounting Bolt Kit F730055-1	105
Mounting Panel Assembly F608385	13
Muffin Fan F110105	69, 81
F110106	69, 81

N

Nipple F0421970-00	97
F420101	45, 47, 49, 89
F420103	45, 49
F420105	45, 47, 49, 51, 53
F420107	47, 51
F420108	49, 53
F420707	87
F421915	99
No-Swivel Coupling F422109	27
Nut F0431807-00	25
F430202	79
F430211	25, 89
F430215	25, 31, 65, 69, 81, 85, 89
F430218	23
F430231	13, 15, 17, 19, 29, 69, 81, 85, 95
F430232	29, 99
F430233	91, 95
F430239	91
F430264	25
F430265	19
F431000	13
F431002	29
F431005	35, 37
F431006	19
F431017	21
F431022	13, 21, 27, 43, 69, 95
F431024	99
F431026	27, 29, 91
F432212	81
H88412101	23
20274	23, 27, 29, 31, 67, 79
685846	81
70142	31
802292	35, 37, 43

O

O-Ring F0170221-00	55
F170200	27
F170208	35, 37
F170215	35, 37
Output CCA F0370444-10P	15
F0370454-10P	15
Overflow Hose F150308	93

Overflow Plug F150352	57, 59, 63, 99
--------------------------------	----------------

P

Personal Injury Warning Decal F231065	11, 17
Pin F430415	25
Pipe F0602364-04	57, 93
F0602364-06	35
F0602364-10	57
F0602364-13	57
F0602364-24	61
F0602364-25	57, 59
F0602365-01	57, 59
F0602365-16	61
F0602365-20	61
F0602365-22	57, 59
F0602365-27	61
F610040	61
F610814	61
Pipe Insulation F410300	87
Pipe Nipple 70214101	89
Plate Assembly F632290	81
Plug F140527	19, 43
F420408	47
F420409	87, 89
F421507	87
Plug Cap F190304	35, 37
Pop Rivet F431210	29
F431217	57, 59
PowerFlex 40 AC Drive Retrofit Kit F324201	83
Program Key F370709	17
Pulley F280134	79
F280146P	67, 79
F280182P	67
F280255	67
F280410	67
Pulley Bushing F280297	67
Pump F270102P	93, 99
Pump B Harness Assembly F141876	95
Pump Sub-Assembly F634674	91
Push Decal F230303	29
Push Handle Kit F746201-1	29

N/A items do not appear in index.

R

RC Network Filter	
F330217P	13, 15, 29
Rear Bearing Kit	
F745006	79
F745010	67
Rear Panel	
F200187900P	25
F200188000P	25
Rebar Frame Kit	
F798770	105
Rebar Frame Template	
F601648	105
F602941	105
Reducer Bushing	
F422602	57, 59, 61
Relay CCA	
F370437P	95
Repair Kit	
F380915P	49, 53
F380965P	45, 47, 51
Resistor Assembly	
F610765P	21
F610766	21
Reuse Control Enclosure Mounting Bracket	
F634191	91, 95
Reuse Drain Elbow	
F422914	91
Reuse Drain Reducer	
F422520	91
Reuse Drain Valve	
F380635P	91
Reuse Frame Assembly	
F634413	91
Reuse Inlet Hose	
F200505	91
Reuse Overflow Hose	
F150484	91
Reuse Pump Manifold	
F250707	93
Reuse Pump Motor Cable Assembly	
F140254	95
F140255	95
Reuse Pump Platform Assembly	
F634267	93
Reuse Tank	
F191008	91
Ribbon Cable	
F140218P	13
F140219P	13
F140223P	13
Right Side Panel	
F602009	25
F602010P	25
Ring Retainer	
F310206	27
Rod End Clip	
F431205	65
Rotation Sensor Assembly	
F200126200P	23
Rotation Sensor Bracket	
F200122502	23

N/A items do not appear in index.

Rotation Sensor Harness	
F8066401	23
Rotation Sensor PCB	
F200101300P	23
Rotation Sensor Retrofit Kit	
F079900800	23
Rub Rail	
F150408	25, 31
F601236	25

S

Sandwich Mount	
F432219	69, 81, 83
Screw	
F0430272-00	103
F0430273-00	103
F0430274-00	103
F0430275-00	103
F430101	65
F430103	27, 65
F430107	79, 81, 85
F430124	23
F430152	43
F430168	29
F430500	31
F430502	27
F430903	99
F430909	29
F430910	85, 95
F430913	89
F430916	21, 29, 43, 67, 69, 81, 85, 95
F430917	27, 29, 35, 37
F430920	21, 65, 83
F430921	25, 29
F430923	99
F430924	31
F430927	23, 29
F430928	13, 15, 17, 19, 21, 95, 101
F430932	99
F430935	31, 69, 81
F430936	31
F430938	19, 55, 85
F430939	99
F430948	39, 41, 43
F430956	25, 29
F430960	103
F430983	85
F430993	67, 79
F430995	29
F430996	91
F432234	25
F432259	103
F432260	103
F8136401	13
M400056	91, 95
201415	69
70240301	13, 25
800461	23, 31
Scupper	
F150389	57, 59
Seal Alignment Fixture Assembly	
F200274700	105
Seal Kit	
F798819-00	31
F798827-00	31

Shaft Assembly F633430	105	Spray Rinse Strap F602880	27
Shell Assembly F603424	33	Spray Rinse Tube Assembly F610364	27
F603554	33	Spring Pin H88900683	65
F603555	33	Standoff F180501	23
F603731	33	F180506	15
Shell Band Assembly F603344P	31	Steam Filter F270307	87, 89
F603910	31	Steam Hose F200153P	87, 89
F603911	31	Steam Injector Tube Assembly F603131	87, 89
Shell Band Gasket F170120RP	31	Steam Kit F730064	87
F200001600P	69, 81	Steam Plumbing Assembly F633413P	87
Shell Front Assembly F200119900P	31	F633413-2	87
Shell Front Kit F741303P	31	Steam Valve F380786P	87, 89
F741308P	31	F380787P	87
Shell Front Weldment F8135801P	31	Strain Relief Adapter Kit F749802	35, 37
Shell Gasket Shield F601216	31	Strain Relief Connector F140224	81
Shell Mounting Bracket F601806	31	F140328	95, 99
Shell Reinforcement Plate Assembly F8084201	31, 57, 59	F140330	95, 99
Shell Weldment F0633208-01	33	F140331	81, 95, 99
F634436	33	F140340P	35, 37
Side Panel F609743P	25	Strainer F270200	39, 41
F630323	25	Street Elbow F420500	45, 47, 49
Side Panel Bracket F601982	25	F420502	45, 47, 49, 51, 53
Side Panel Cover F606667	25	F421703	87
Signal Light F350404	17	F422304	99
Slinger F100203	31	Supply Dispenser Hazard Caution Decal F231436	11, 35, 37
F100204	31	Supply Dispenser Spacer F0150525-00	35, 37
Soap Dispenser Hose F150309	57, 59, 61	Supply Valve Cover F603650	43
Soap Dispenser Shroud Weldment F8024301	35, 37	Switch F340921	23
Soap Supply Cup F603412	43	Switch Extension F340924	23
Solenoid Spacer F609728	29	Swivel Coupling F422108	27
Solenoid Valve F380700P	49		
F380702P	49, 53		
Spanner Bit F704907	103		
Spray Rinse Bracket Assembly F602901P	27, 31		
Spray Rinse Hose Assembly F730026	27		
Spray Rinse Hose Kit F730024	27		
Spray Rinse Nozzle Kit F730077	27		

T

Tank Drain Sub-Assembly F0637929-01	91
Tee F420400	47, 49
F420401	45, 49
F420402	53
F420403	53
F422801	57, 59
F422803	57, 59, 61

N/A items do not appear in index.

Temperature Probe	
F370606P	23, 85
Terminal Block	
M413865	85
Terminal Strip	
F140738	17, 19, 21, 43
This Machine Must Be Protected Decal	
F230301	11, 43
Tie Wrap Mounting Clamp	
F140602	13
Top Cover Caution Decal	
F231420	91
Top Fill Assembly	
F610260	53
Top Latch Bracket Casting	
F150201P	29
Torx Bit	
281P4	103
Transformer	
C000203	69, 79
F200031100	81
F360104	79
F360125P	79, 81
Transformer Adapter Plate	
F631276	81
Trim	
F170400RP	25, 35, 37, 43
Tube Connector	
F422106	45, 49, 51
F422515	93, 99
Tubing	
C000628P	67
F140905	69
F422404P	21

U

U-Bolt Clamp	
F200401P	45, 47, 49, 51, 87, 89, 97

V

Vacuum Breaker	
F380117	59, 91
Vacuum Breaker Cap	
F0380808-00	55
Vacuum Breaker Kit	
F0798922-00	55
Vacuum Breaker Valve	
F063754701P	55
F380800P	45, 47, 49, 51, 53
Valve	
F381700P	47, 51
F381701P	47, 51, 97
F381702P	45
F381703P	45
Valve Repair Kit	
F380938	39
F380993P	45
Valve, 4-Way	
F380715P	39, 43
F380725P	39

N/A items do not appear in index.

F381723P	41
F381724P	41

W

Washer	
F430300	67
F430311	85
F430317	25, 31, 65, 81
F430322	81, 89
F431100	25, 27, 29, 35, 37, 69, 81, 91
F431102	69
F431108	13, 19, 29
F431112	31
F431113	13, 15, 21, 95
F431116	31
F431118	29
F431123	13
F431125	13
F431142	29
F431147	35, 37
F8195301	35, 37
M400013	31
M400014	17, 23, 31, 67, 79
M400081	23, 31, 67, 79
20290	47, 49, 53
28605	47, 49, 53
901957	79
Water Hose	
F200107P	57, 59, 61
F200108P	47
F200110P	39, 41, 43
F200164	47, 49, 53
F200166	47, 49, 53
Water Level Switch	
F0340347-10P	21
F340308P	21
F340309P	21
Water Level Switch Bracket	
F630242	21
Water Valve Assembly Decal	
F230754	39
Water Valve Repair Kit	
F380991P	47, 51
Wet-Clean Inlet Grommet	
F200098900	97
WE-6 Computer	
F037062441P	13
WE-6 Interface CCA Kit	
F370446-1P	15
Wire, 14 Gauge	
45257	95

Y

Y Connector	
F422816	39, 41

