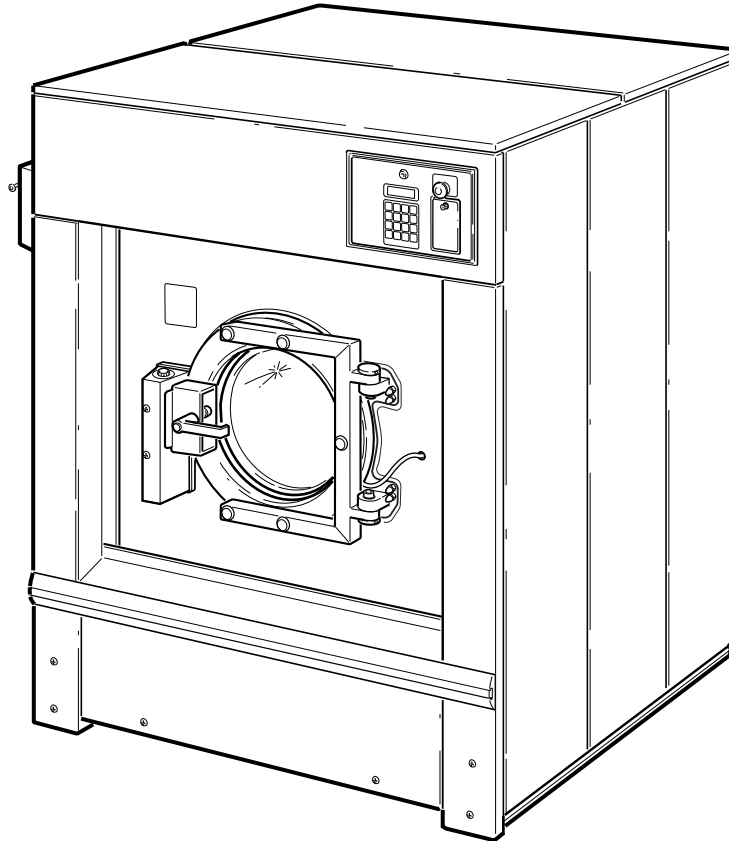


Washer-Extractor

Cabinet Freestanding
BF135PV, SF135PV and UF135PV Models



R005C_F230557

Table of Contents

| Title | Page |
|---|------|
| Parts Ordering Information..... | 2 |
| Serial Plate Location | 2 |
| Model Identification | 3 |
| Decals | 4 |
| Panels | 6 |
| Drive..... | 8 |
| Front Bearing and Seals | 10 |
| Motor | 12 |
| Belt Tensioner Assembly | 14 |
| Water Inlet System..... | 16 |
| Chemical Supply System | 18 |
| Air Trap, Temperature Probe and Drain Valve Assembly..... | 20 |
| Overflow and Drain Hoses | 22 |
| Door - Old Style | 24 |
| Door - New Style (Drawing 1 of 2) | 26 |
| Door - New Style (Drawing 2 of 2) | 28 |
| Door Lock..... | 30 |
| Control Module Front | 32 |
| Control Module..... | 34 |
| AC Drive (Drawing 1 of 2)..... | 36 |
| AC Drive (Drawing 2 of 2)..... | 38 |
| Suspension System | 40 |
| Shell, Basket and Optional Steam Heat..... | 42 |
| Pneumatic System | 44 |
| Special Tools | 46 |
| Parts Index..... | 49 |

© Copyright 2015, Alliance Laundry Systems LLC

All rights reserved. No part of the contents of this book may be reproduced or transmitted in any form or by any means without the expressed written consent of the publisher.

Parts Ordering Information

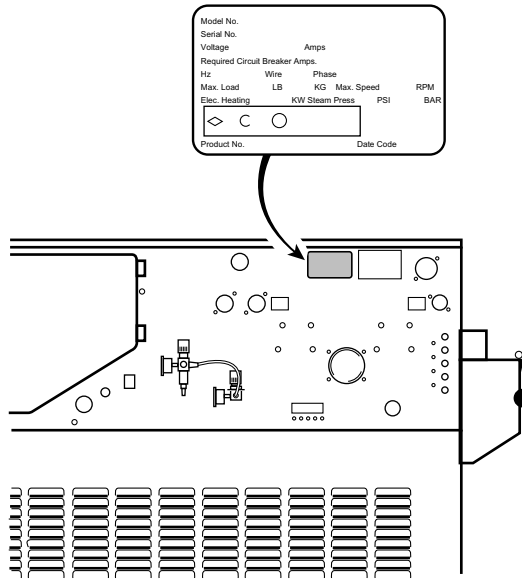
If literature or replacement parts are required, contact the source from whom the machine was purchased or contact Alliance Laundry Systems at (920) 748-3950 for the name and address of the nearest authorized parts distributor.

For technical assistance, call either of the numbers listed below:

(920) 748-3121 Ripon, Wisconsin
+32 56 41 20 54 Wevelgem, Belgium

Serial Plate Location

When calling or writing about your product, be sure to mention model and serial numbers. Model and serial numbers are located on serial plate(s) as shown.



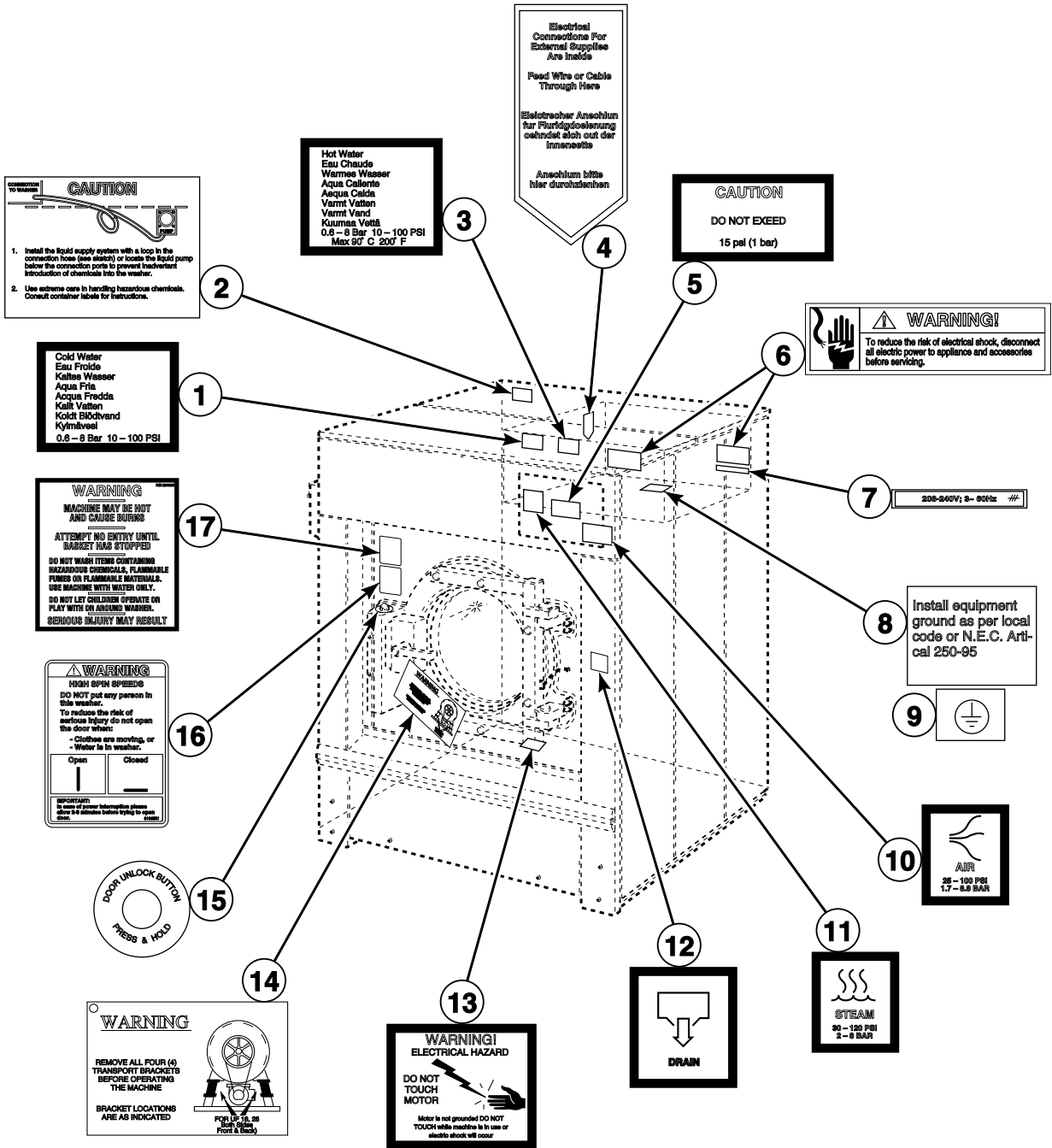
CFS1934P_F230557

Model Identification

Information in this manual is applicable to these washer-extractor models:

BF135PV
SF135PV
UF135PV

Decals



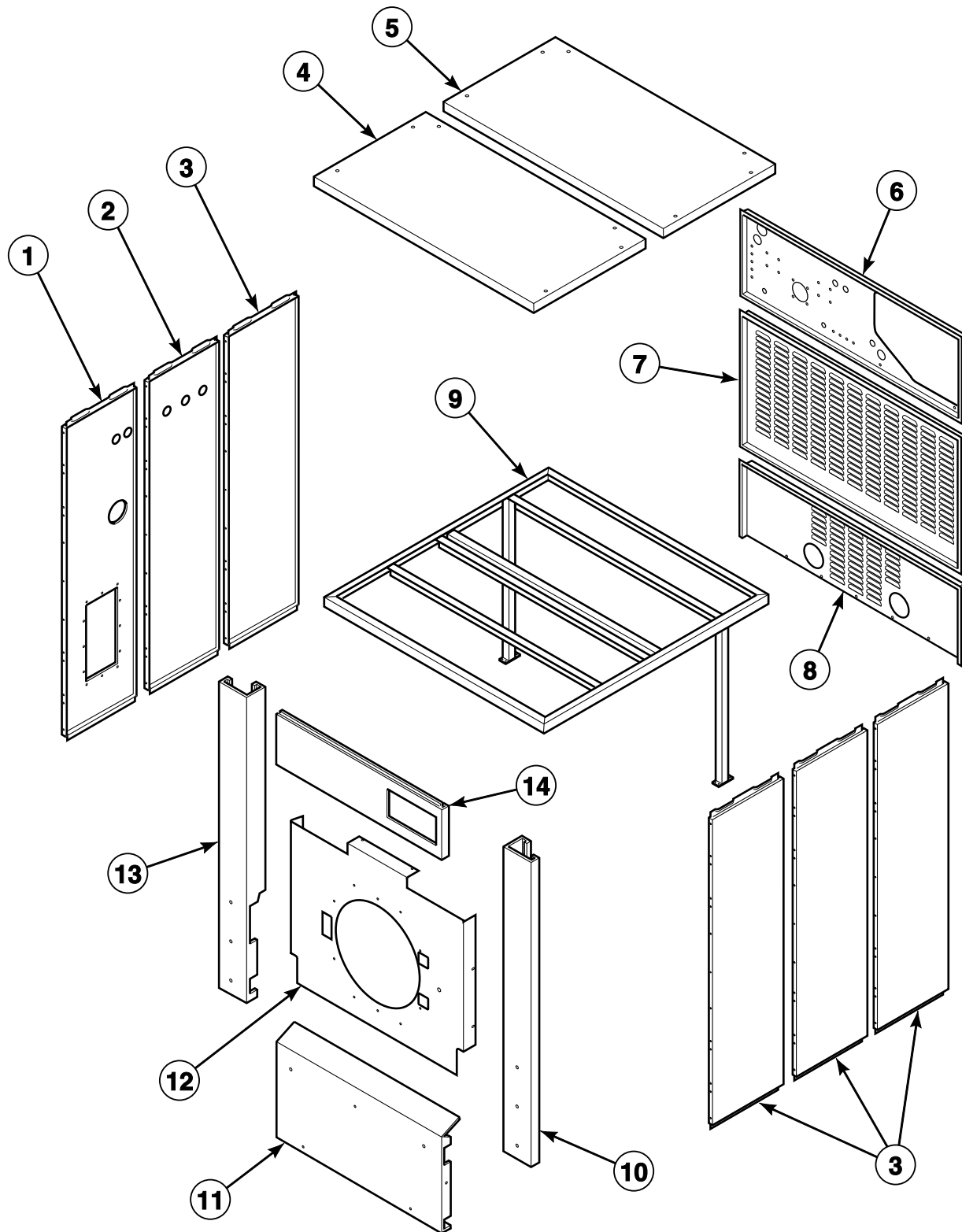
CFS1929P_F230557

Decals

| REF | PART NO. | DESCRIPTION | COMMENTS |
|-----|----------|--|--------------|
| 1 | F230857 | Cold Water Decal | |
| 2 | F230877 | Liquid Supply Decal | |
| 3 | F230856 | Hot Water Decal | |
| 4 | N/A | Electric Warning Decal | |
| 5 | N/A | Air Door Gasket Warning Decal | |
| 6 | 505281 | Disconnect Power Warning Label | |
| 7 | N/A | Decal | 208-240 Volt |
| 8 | F230630 | Ground Decal | |
| 9 | F230739 | Ground Decal | |
| 10 | F231148 | Air Requirement Decal | |
| 11 | F231147 | Steam Decal | |
| 12 | F231150 | Drain Decal | |
| 13 | F230831 | Electric Hazard Warning Decal | |
| 14 | F230560 | Remove Transformer Bracket Warning Tag | |
| 15 | F230816 | Door Unlock Decal | |
| 16 | 81968 | Door Warning Label | |
| 17 | F231065 | Personal Injury Warning Decal | |

N/A = Part no longer available

Panels

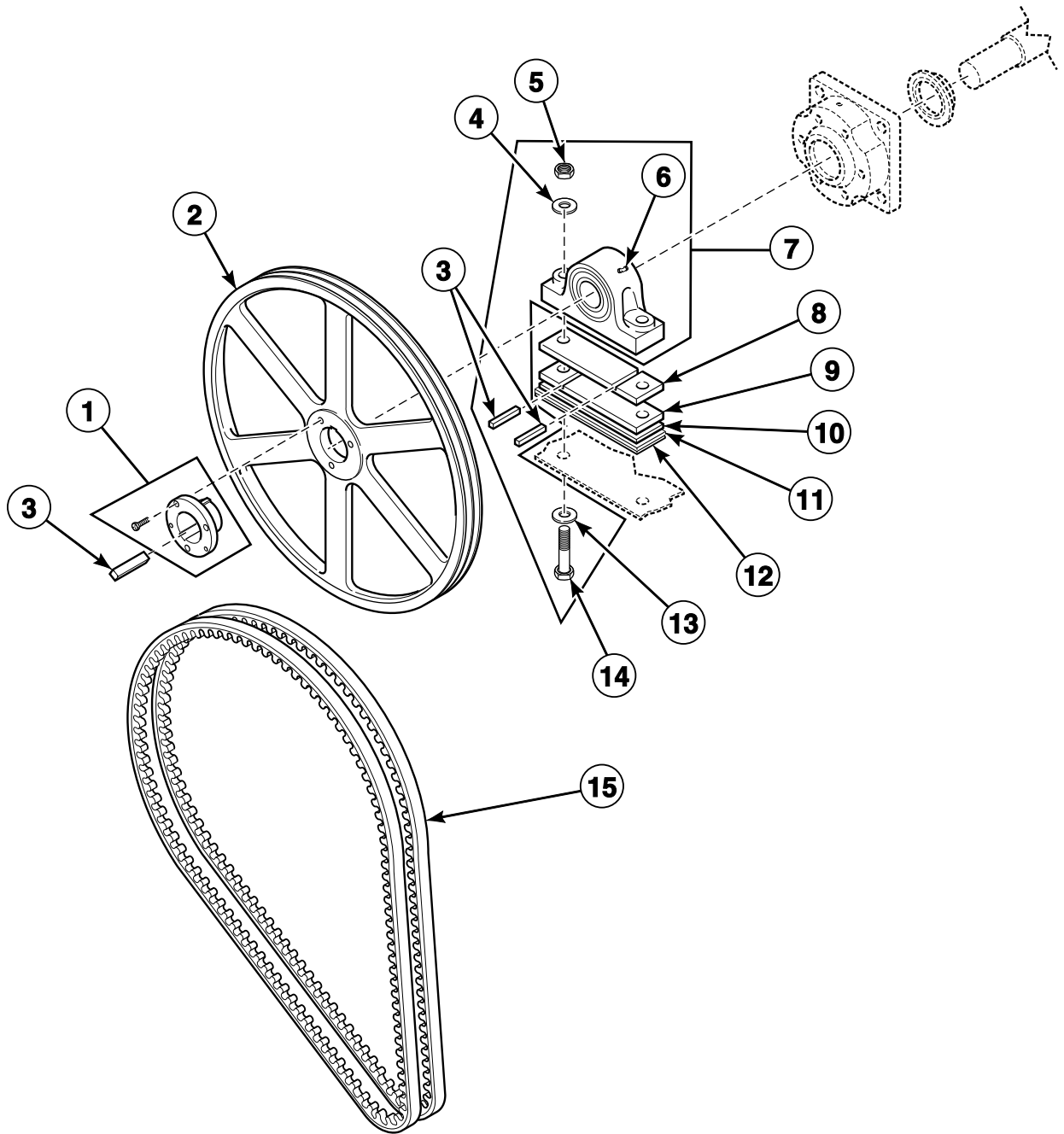


CFS1731P_F230557

Panels

| REF | PART NO. | DESCRIPTION | COMMENTS |
|-----|----------|----------------------------|------------|
| 1 | F608943 | Front Side Panel | Left |
| 2 | F608942 | Center Side Panel | Left |
| 3 | F607145 | Side Panel | All others |
| 4 | F607143 | Top Front Cover | |
| 5 | F607144 | Top Rear Cover | |
| 6 | F632997 | Upper Rear Panel | |
| 7 | F607151 | Middle Rear Cover | |
| 8 | F607656 | Lower Rear Cover | |
| 9 | F607139 | Frame Cabinet Top Weldment | |
| 10 | F607146 | Right Front Column | |
| 11 | F607148 | Bottom Front Cover | |
| 12 | F634149 | Shell Front Cover | |
| 13 | F607147 | Left Front Column | |
| 14 | F609702 | Cabinet Front Panel | Top |

Drive



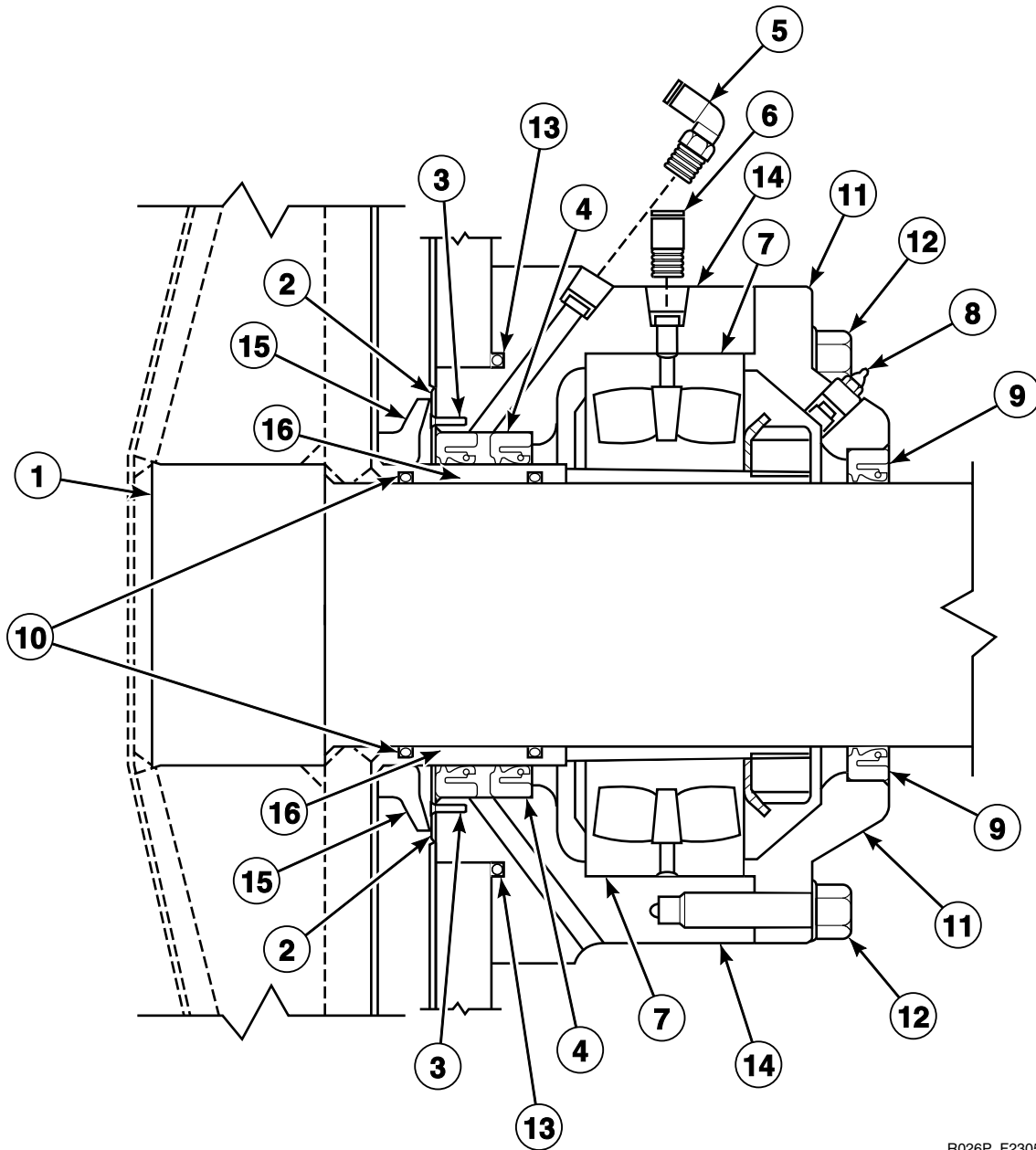
CFS1902P_F230557

Drive

| REF | PART NO. | DESCRIPTION | COMMENTS |
|-----|-------------|------------------------|--|
| 1 | F280250 | Bushing | Includes screws |
| 2 | N/A | Pulley | |
| 3 | F430807 | Key | |
| 4 | F0430351-00 | Washer | |
| 5 | F430229 | Nut | |
| 6 | J1407741 | Swivel Tubing Elbow | Lubrication |
| 7 | F745012 | Rear Bearing Kit | Includes items 3-6, 13 and 14, F170211 O-Ring, F190701 Grease Fitting and F430705 Washer |
| 8 | F606136F | Bearing Mounting Plate | |
| 9 | F606169 | Bearing Main Shim | |
| 10 | F606168-1 | Bearing Mounting Shim | 07GA; Reinstall same thickness shims |
| 11 | F606168-3 | Bearing Mounting Shim | 18GA; Reinstall same thickness shims |
| 12 | F606168-2 | Bearing Mounting Shim | 11GA; Reinstall same thickness shims |
| 13 | F430705 | Washer | |
| 14 | F430155 | Screw | |
| 15 | F280331 | Belt | Replace as a set |

N/A = Part no longer available

Front Bearing and Seals

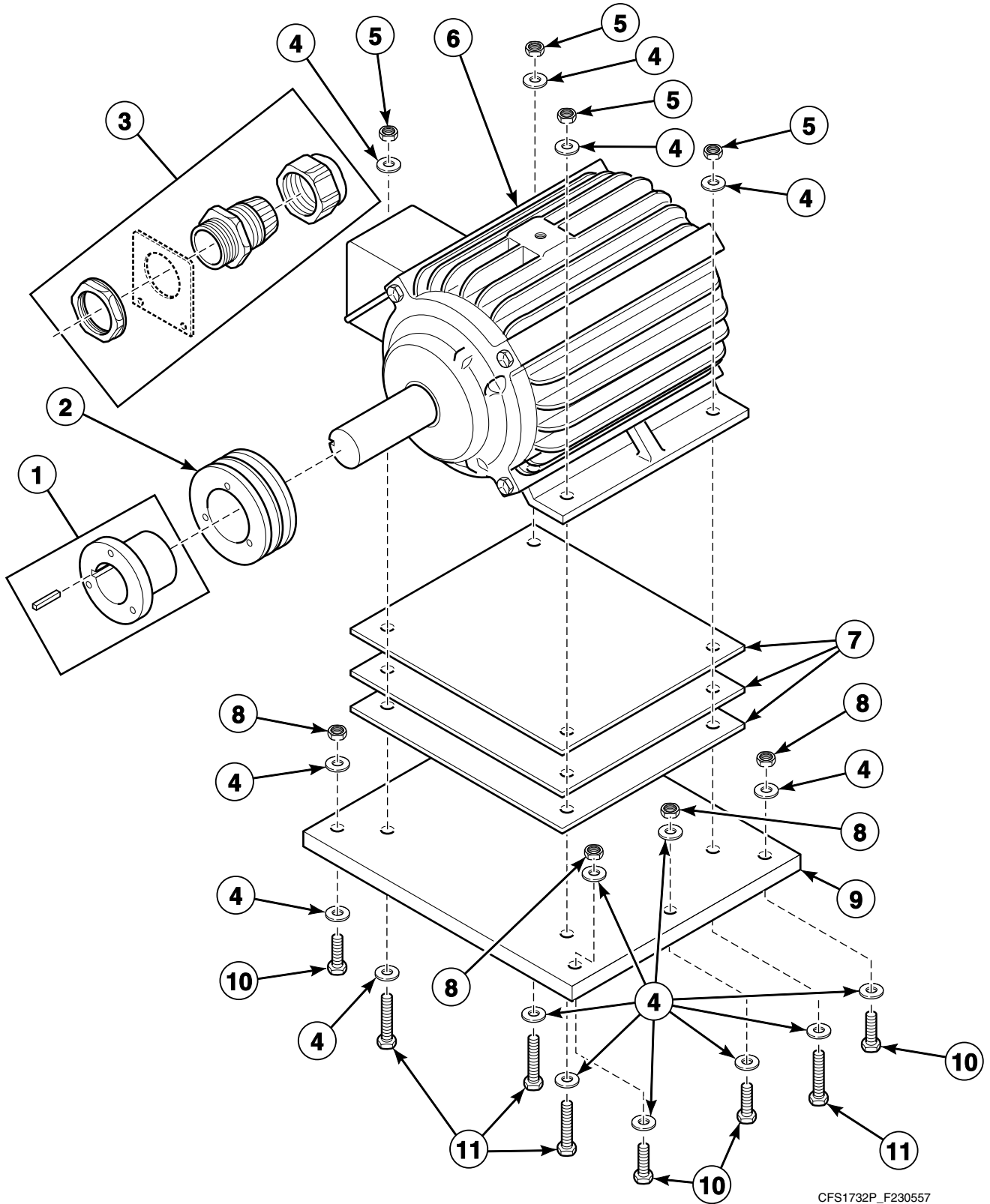


R026P_F230557

Front Bearing and Seals

| REF | PART NO. | DESCRIPTION | COMMENTS |
|-----|------------|------------------------|---|
| | F761900 | Grease Manifold Kit | Includes F190701 Grease Fitting, F200190P Tubing, F231064 Instruction Lube Decal, F320326 Grease Manifold, J1408004 Connector and F430925 Screw |
| 1 | F607689 | Basket Assembly | |
| 2 | F606416 | Bearing Cladding Plate | |
| 3 | F430957 | Screw | |
| 4 | F100253-1P | Lip Seal | |
| 5 | J1419811 | Swivel Tubing Elbow | |
| 6 | J1408004 | Connector | |
| 7 | F100148 | Bearing | |
| 8 | F190701 | Grease Fitting | |
| 9 | F100254-1P | Seal | |
| 10 | F170212 | O-Ring | |
| 11 | F607168 | Bearing Cover | |
| 12 | F430949 | Screw | |
| 13 | F170211 | O-Ring | |
| 14 | F607169 | Bearing Housing | |
| 15 | F100255 | Outer Seal | |
| 16 | F745011 | Front Bearing Kit | Includes F430154 Screw, F431141 Washer, F170128 Sponge Rubber, F170120R Shell Band Gasket (13 feet), F410102 Clear Sealant and F430161 Screw |

Motor

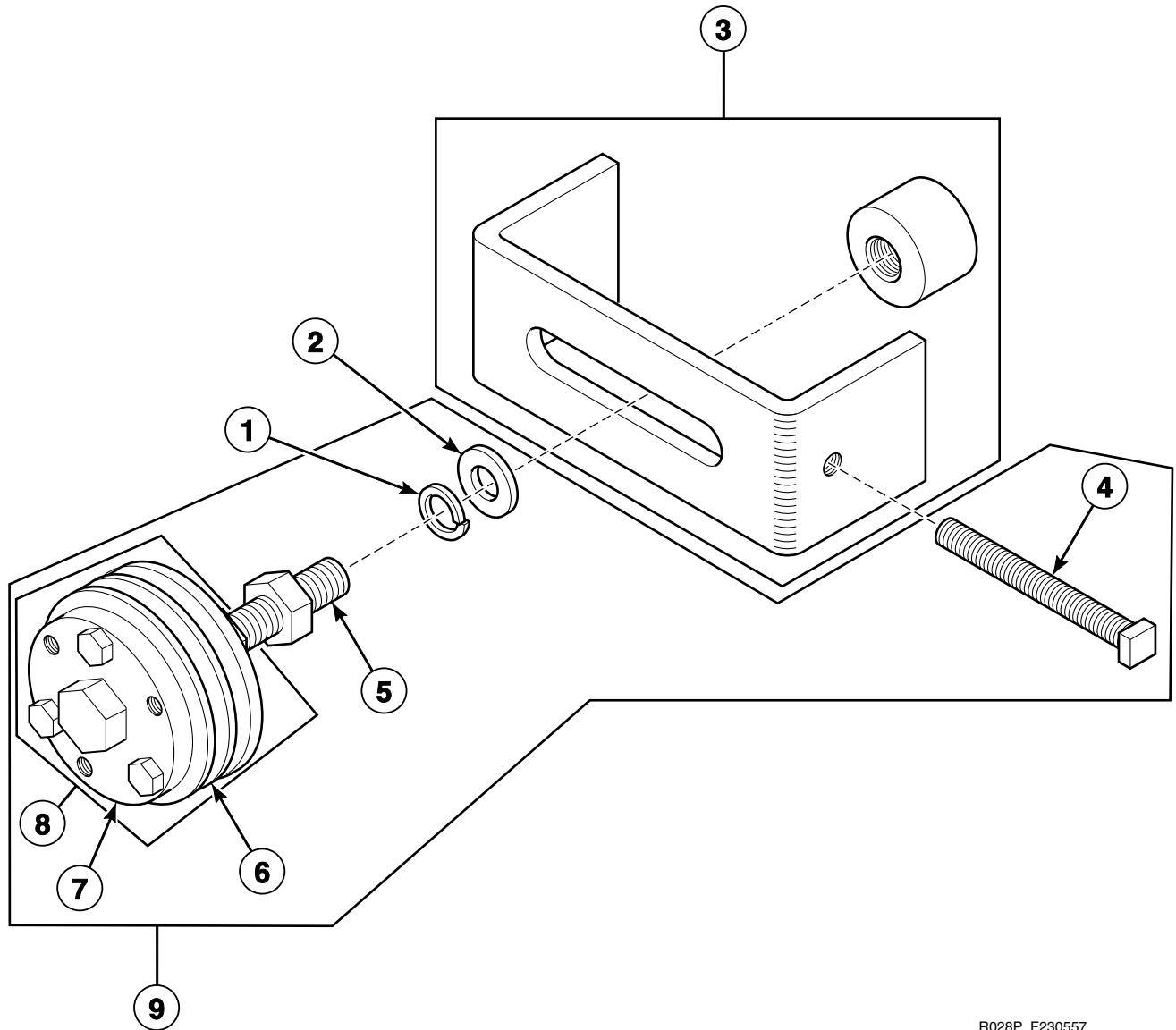


CFS1732P_F230557

Motor

| REF | PART NO. | DESCRIPTION | COMMENTS |
|-----|-----------|-------------------------|---|
| 1 | F280242 | Motor Bushing | |
| 2 | F280150 | Pulley | |
| 3 | F140224 | Strain Relief Connector | PG29 |
| 4 | F430332 | Washer | |
| 5 | F430241 | Nut | |
| 6 | F220218UP | Motor | U.S.; AC drive parameters must be compatible with the motor and motor pulley. Please request the AC drive parameter illustration for parameter verification when ordering a motor. |
| | F220218P | Motor | U.S. premium; F200897 (6206Z) Motor Bearing and F100108 (6208-2Z) Motor Bearing; AC drive parameters must be compatible with the motor and motor pulley. Please request the AC drive parameter illustration for parameter verification when ordering a motor. |
| | F220437P | Motor | Magnetek; AC drive parameters must be compatible with the motor and motor pulley. Please request the AC drive parameter illustration for parameter verification when ordering a motor. |
| 7 | F630872 | Motor Shim | |
| 8 | F430218 | Nut | |
| 9 | F432290 | Motor Spacer | |
| 10 | F430993 | Screw | |
| 11 | F430476 | Screw | |

Belt Tensioner Assembly

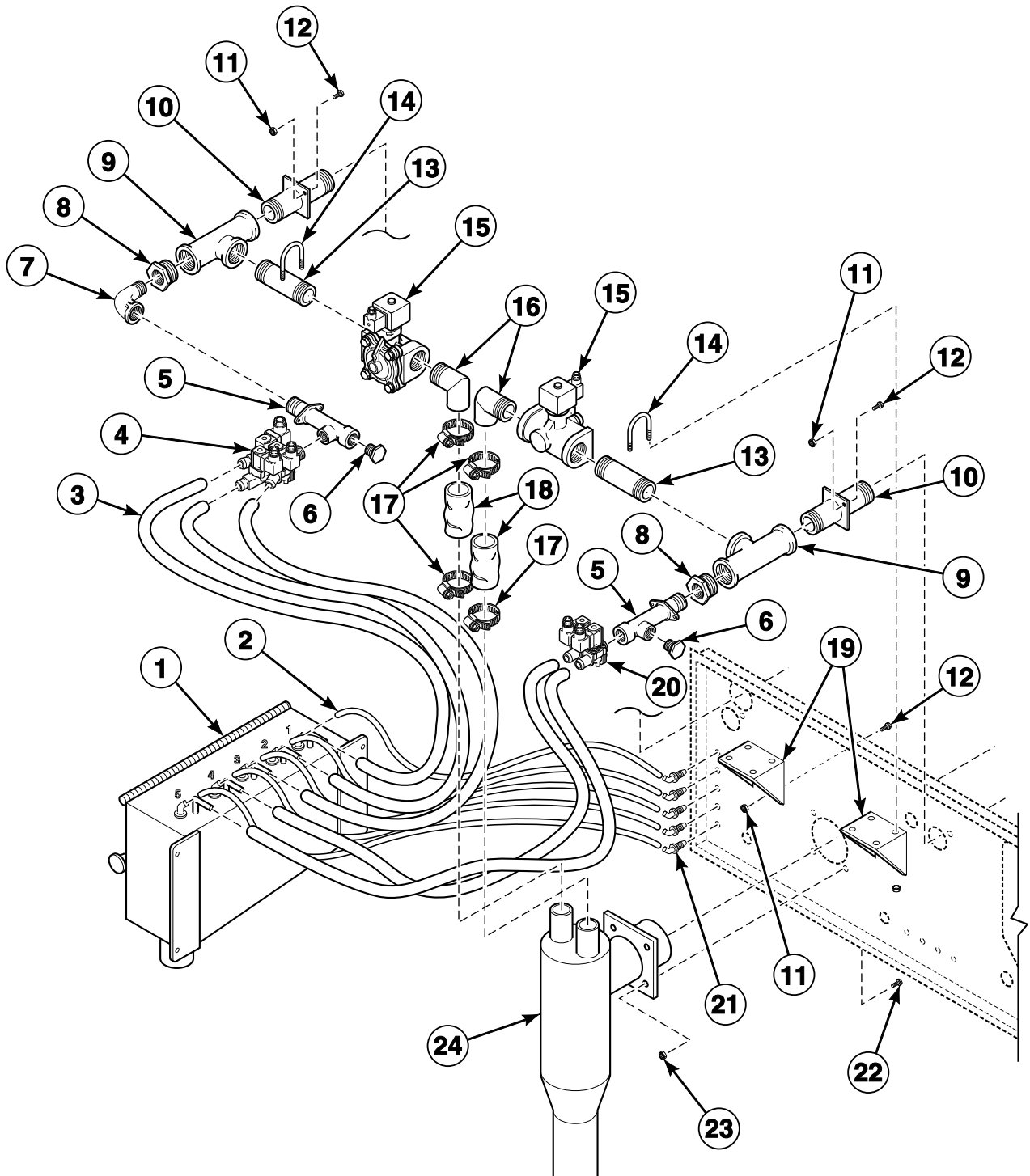


R028P_F230557

Belt Tensioner Assembly

| REF | PART NO. | DESCRIPTION | COMMENTS |
|-----|----------|-------------------------|---|
| 1 | F430309 | Washer | |
| 2 | 901690 | Washer | |
| 3 | F280377 | Belt Tensioner Hub | |
| 4 | F430528 | Screw | |
| 5 | F430479 | Bolt | |
| 6 | F280296P | Pulley | |
| 7 | F280414P | Idler Bushing Kit | Includes F430935 Screw and F431100 Washer |
| 8 | F632238 | Pulley Tensioner Kit | Includes items 6 and 7 |
| 9 | F632036P | Belt Tensioner Assembly | Includes items 1, 2 and 4-7 |

Water Inlet System



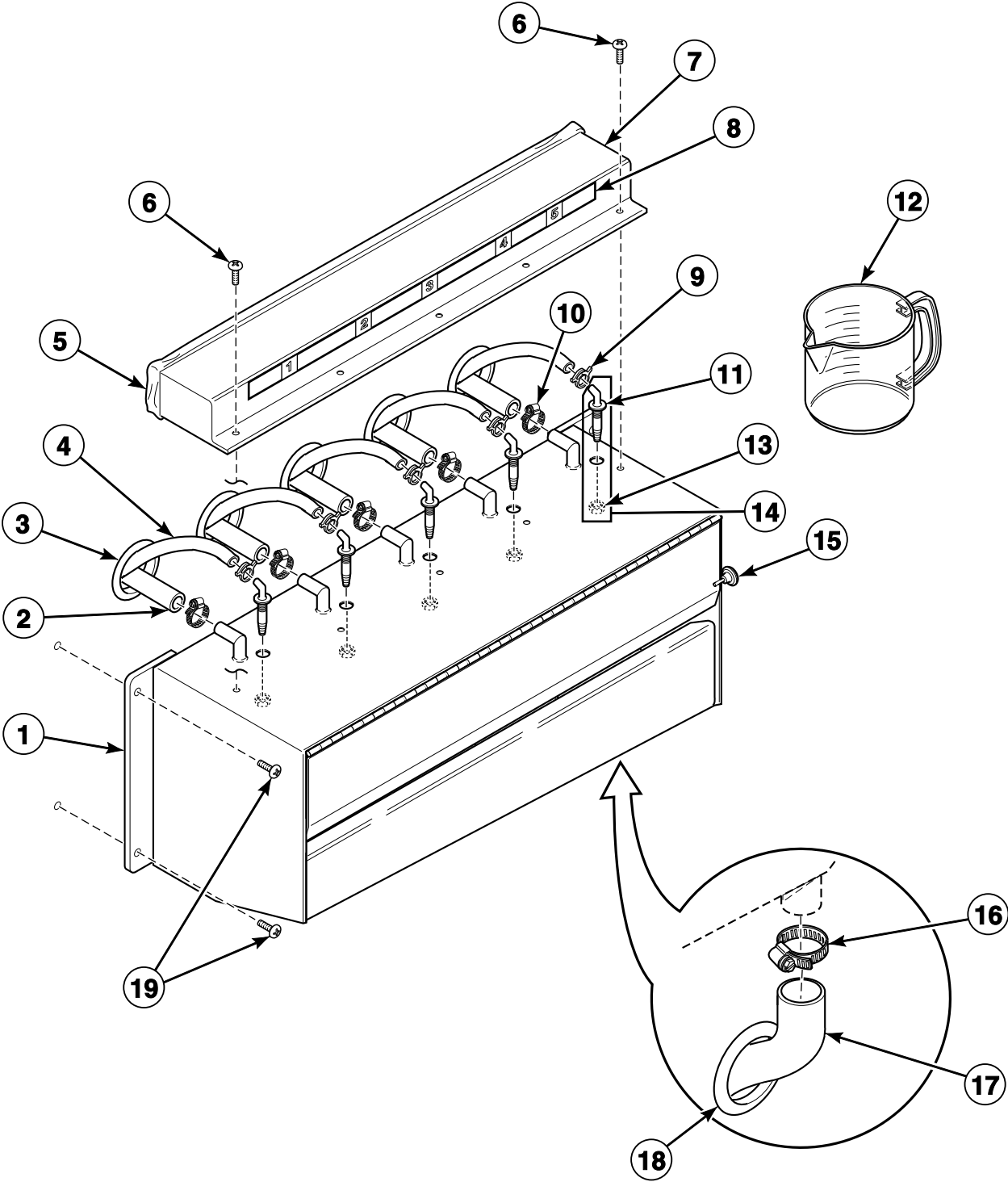
CFS1906P_F230557

Water Inlet System

| REF | PART NO. | DESCRIPTION | COMMENTS |
|-----|----------|----------------------------------|--|
| 1 | F609703 | Soap Dispenser Weldment | |
| 2 | F200168P | Tubing | |
| 3 | F200108P | Water Hose | |
| 4 | F381725P | 3-Way Valve | 120 Volt; Metric thread; F380939 Valve Repair Kit |
| | F380900 | Coil | |
| 5 | F150246 | Water Connection Inlet Manifold | |
| 6 | F421507 | Plug | |
| 7 | F420502 | Street Elbow | |
| 8 | F420203 | Reducer Bushing | |
| 9 | F420410 | Tee | |
| 10 | N/A | Water Supply Inlet Pipe Weldment | |
| 11 | F430215 | Nut | |
| 12 | F430925 | Screw | |
| 13 | F420142 | Nipple | |
| 14 | F200412 | U-Bolt Clamp | Includes attaching hardware |
| 15 | C000339P | Water Valve | 120 Volt; Models starting 10/27/96; F380992 Valve Repair Kit |
| | F140609P | DIN Connector | 120 Volt; Models starting 10/27/96 |
| | F380724P | Solenoid Valve | 120 Volt; Models through 10/26/96; F380947 Repair Kit |
| | F380901P | Coil | 120 Volt; Models through 10/26/96 |
| 16 | N/A | Downward Elbow Weldment | |
| 17 | F200215 | Hose Clamp | No. 28 |
| 18 | F200170 | Vent Hose | |
| 19 | N/A | Valve Support Bracket | |
| 20 | F381722P | 2-Way Valve | 120 Volt; Metric thread; F380939 Valve Repair Kit |
| | F380900 | Coil | 120 Volt |
| 21 | F8322001 | Injection Nozzle | |
| 22 | F430909 | Screw | |
| 23 | F431016 | Nut | |
| 24 | N/A | Vacuum Breaker Weldment | |

N/A = Part no longer available

Chemical Supply System



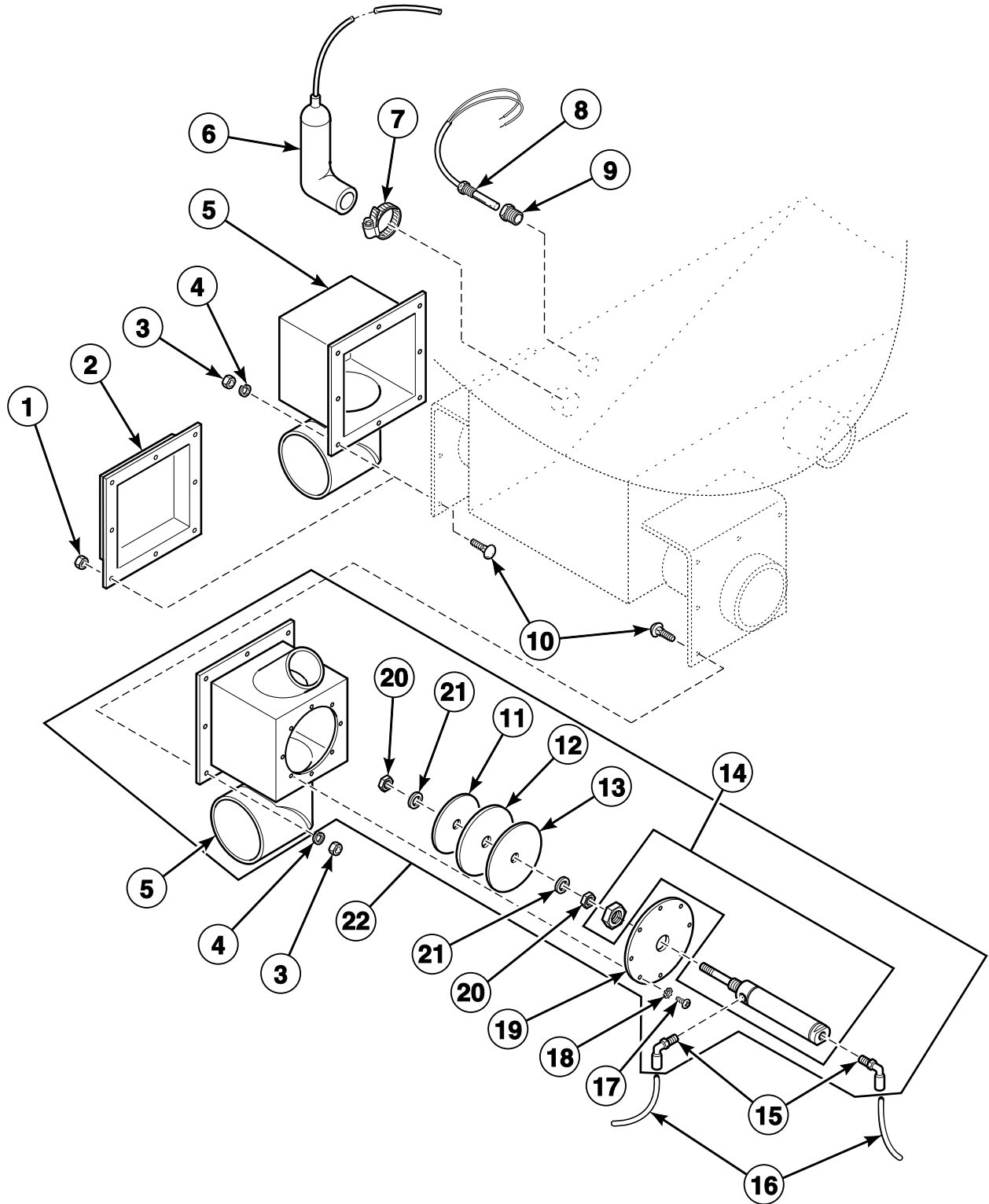
CFS1735P_F230557

Chemical Supply System

| REF | PART NO. | DESCRIPTION | COMMENTS |
|-----|-----------|-------------------------|---|
| | F749005 | Supply Dispenser Kit | Includes items 1, 6, 7, 9, 11-13, 15, 18 and 19, F431001 Nut, F140601 Cable Strap, F140606 Cable Tie, F150390 Siphon Tube, F170608 Soap Dispenser Grommet, F200178 Drain Hose, F200190 Tubing, F200219 Hose Clamp, F431131 Washer, F430215 Nut and F430317 Washer |
| 1 | F609703 | Soap Dispenser Weldment | Includes door, items 11 and 13 and F431131 Washer |
| 2 | F200108P | Water Hose | |
| 3 | N/A | Soap Dispenser Grommet | |
| 4 | F200168P | Tubing | |
| 5 | F170404 | Trim | Order 2 feet |
| 6 | F430986 | Screw | |
| 7 | F608935 | Cover | |
| 8 | F231014 | Decal | |
| 9 | F200217 | Hose Clamp | No. 7; Nylon |
| 10 | 36801 | Hose Clamp | No. 6 |
| 11 | F8322001 | Injection Nozzle | |
| 12 | F170408 | Beaker | 1,000 ml; 5 per machine |
| 13 | 802292 | Nut | |
| 14 | F730168 | Injection Nozzle Kit | Includes item 13 and F170208 O-Ring |
| 15 | F190101 | Push-Pull Knob | |
| 16 | F200213 | Hose Clamp | No. 40 |
| 17 | F150309 | Soap Dispenser Hose | |
| 18 | F170400RP | Trim | |
| 19 | F430985 | Screw | |

N/A = Part no longer available

Air Trap, Temperature Probe and Drain Valve Assembly

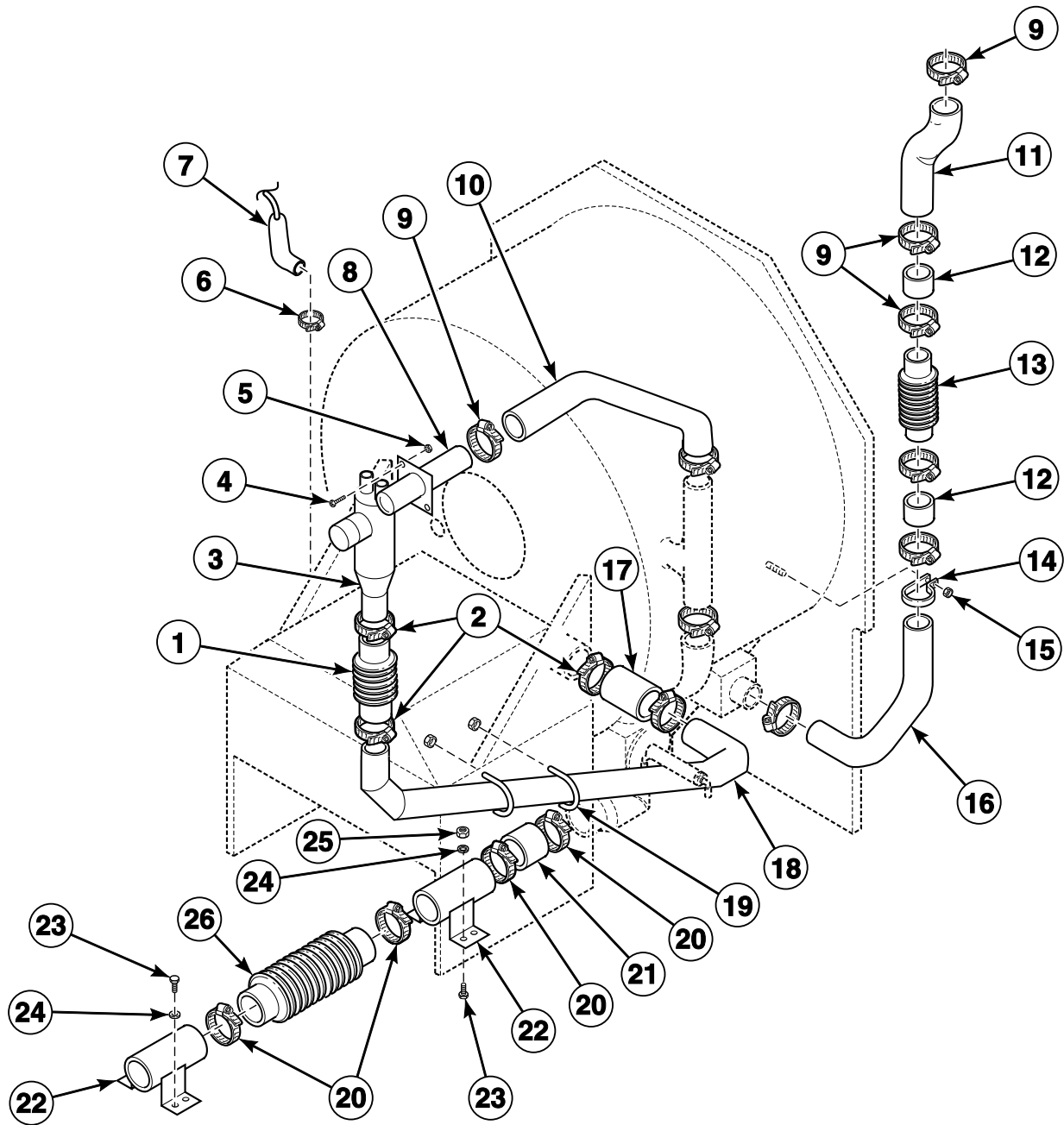


R073P_F230557

Air Trap, Temperature Probe and Drain Valve Assembly

| REF | PART NO. | DESCRIPTION | COMMENTS |
|-----|----------|----------------------------|-----------------------------------|
| 1 | F431024 | Nut | |
| 2 | F607680 | Drain Valve Cover Weldment | |
| 3 | F431005 | Nut | |
| 4 | F431100 | Washer | |
| 5 | F607124 | Drain Valve Box Weldment | |
| 6 | F200163 | Air Trap Hose | |
| 7 | F200215 | Hose Clamp | No. 28 |
| 8 | F370606P | Temperature Probe | |
| 9 | F421936 | Reducer Bushing | |
| 10 | F430935 | Screw | |
| 11 | F602833 | Washer | |
| 12 | F100267 | Drain Seal | |
| 13 | F602827 | Seal Holder | |
| 14 | F250308P | Air Cylinder | |
| 15 | J1407741 | Swivel Tubing Elbow | |
| 16 | F200184P | Hose | |
| 17 | F430903 | Screw | |
| 18 | F431106 | Washer | |
| 19 | F602834 | Cylinder Mounting Plate | |
| 20 | F431018 | Nut | |
| 21 | F431105 | Washer | |
| 22 | F607117 | Drain Valve Box Assembly | Includes items 5, 11-15 and 17-21 |

Overflow and Drain Hoses



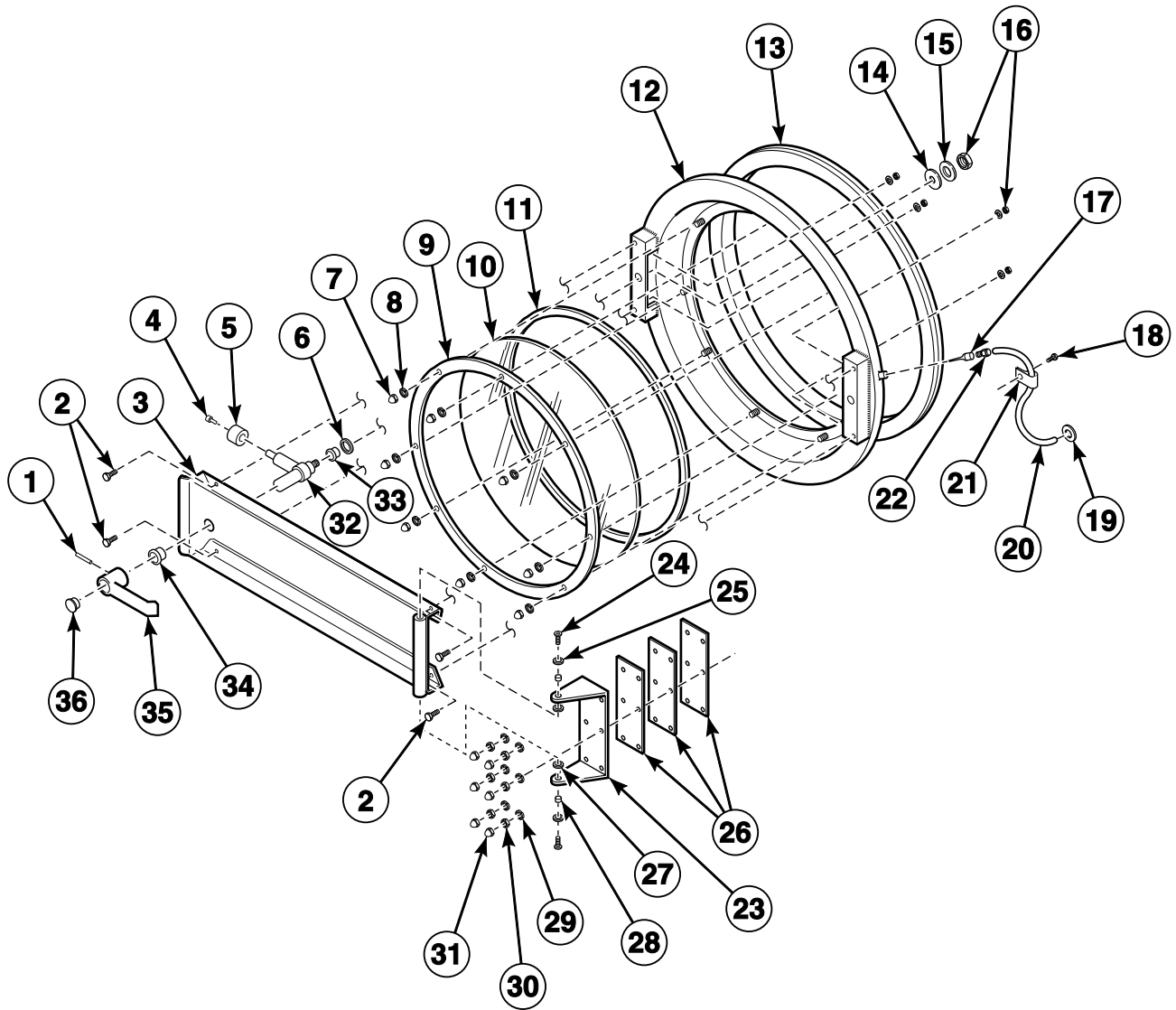
CFS1903P_F230557

Overflow and Drain Hoses

| REF | PART NO. | DESCRIPTION | COMMENTS |
|-----|-----------|-------------------------------|-----------------------------|
| 1 | F200169 | Drain Hose | |
| 2 | N/A | Hose Clamp | No. 48 |
| 3 | N/A | Vacuum Breaker Weldment | |
| 4 | F430925 | Screw | |
| 5 | F431024 | Nut | |
| 6 | F200215 | Hose Clamp | No. 28 |
| 7 | F200163 | Air Trap Hose | |
| 8 | F607137 | Vent Outlet Pipe Weldment | |
| 9 | F200213 | Hose Clamp | No. 40 |
| 10 | F200172 | Supply Hose | |
| 11 | F150309 | Soap Dispenser Hose | |
| 12 | F607194-1 | Water Pipe | |
| 13 | F200171 | Supply Hose | |
| 14 | F140645 | Cable Clamp | |
| 15 | F430215 | Nut | |
| 16 | F200180 | Water Hose | |
| 17 | N/A | Overflow Hose | Order 2 feet |
| 18 | F607198 | Supply Pipe | |
| 19 | F200411 | U-Bolt Clamp | Includes attaching hardware |
| 20 | F200220 | Hose Clamp | No. 64 |
| 21 | N/A | Hose | |
| 22 | N/A | Drain Pipe Connector Weldment | |
| 23 | F430935 | Screw | |
| 24 | F431100 | Washer | |
| 25 | F431005 | Nut | |
| 26 | F200178 | Drain Hose | |

N/A = Part no longer available

Door - Old Style



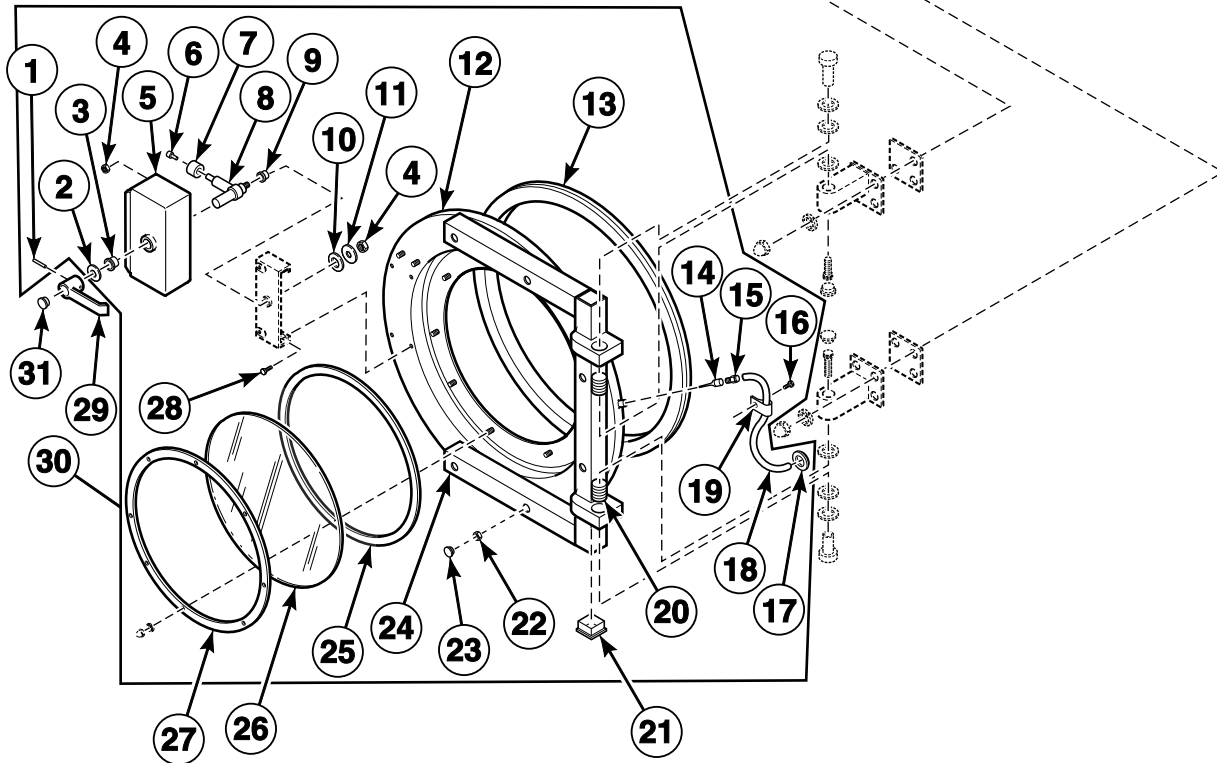
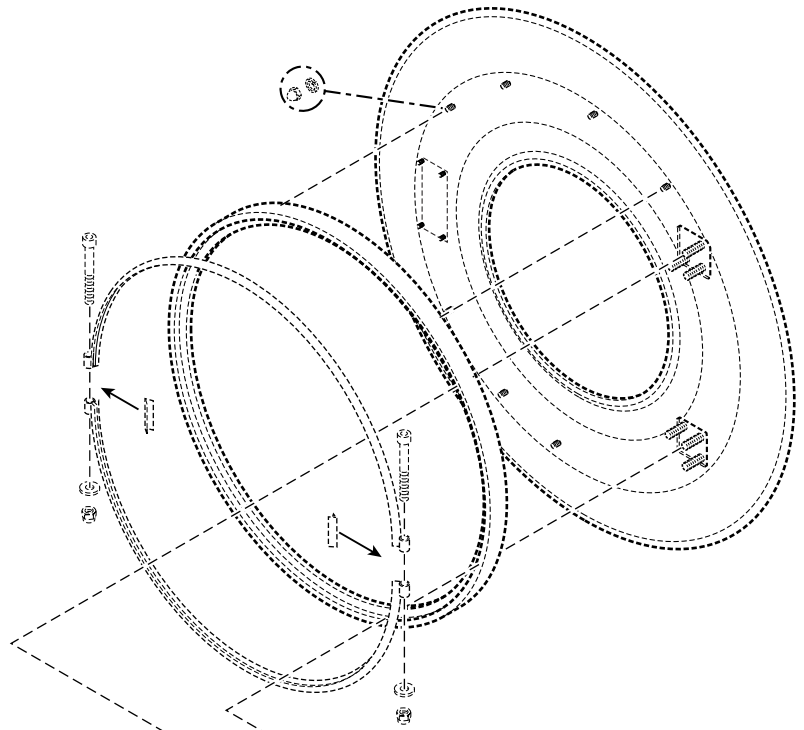
CFS1736P_F230557

Door - Old Style

| REF | PART NO. | DESCRIPTION | COMMENTS |
|-----|----------|-------------------------|---------------------------------|
| 1 | F431222 | Spring Pin | |
| 2 | F430923 | Screw | |
| 3 | N/A | Door Support Weldment | Use F634086 Door Hinge Assembly |
| 4 | F340502P | Switch Magnet | |
| 5 | F100145 | Follower Cam | |
| 6 | F320322 | Pivot Guide | |
| 7 | F8549401 | Nut | |
| 8 | F431100 | Washer | |
| 9 | F320137 | Glass Retainer Spinning | |
| 10 | F290213P | Door Glass | |
| 11 | F170153 | Door Glass Gasket | |
| 12 | F634481 | Door Assembly | |
| 13 | F8434805 | Door Gasket | |
| 14 | F431143 | Washer | |
| 15 | F431142 | Washer | |
| 16 | F431005 | Nut | |
| 17 | F250704 | Inflation Needle | |
| 18 | F430903 | Screw | |
| 19 | F140910 | Insulator Bushing | |
| 20 | F200184P | Hose | |
| 21 | F140629 | Clamp | |
| 22 | F608984 | Fitting | |
| 23 | N/A | Door Hinge Weldment | |
| 24 | F432264 | Screw | |
| 25 | F431118 | Washer | |
| 26 | F607603 | Door Hinge Shim | |
| 27 | F431917 | Washer | Nylon |
| 28 | F280237 | Bushing | |
| 29 | F431137 | Washer | |
| 30 | F431004 | Nut | |
| 31 | F431027 | Nut | |
| 32 | F608536 | Pivot Lock Weldment | |
| 33 | F280252 | Bushing | |
| 34 | F280253 | Bushing | |
| 35 | F150225 | Door Handle | |
| 36 | F140563 | Plug | |

N/A = Part no longer available

Door - New Style (Drawing 1 of 2)



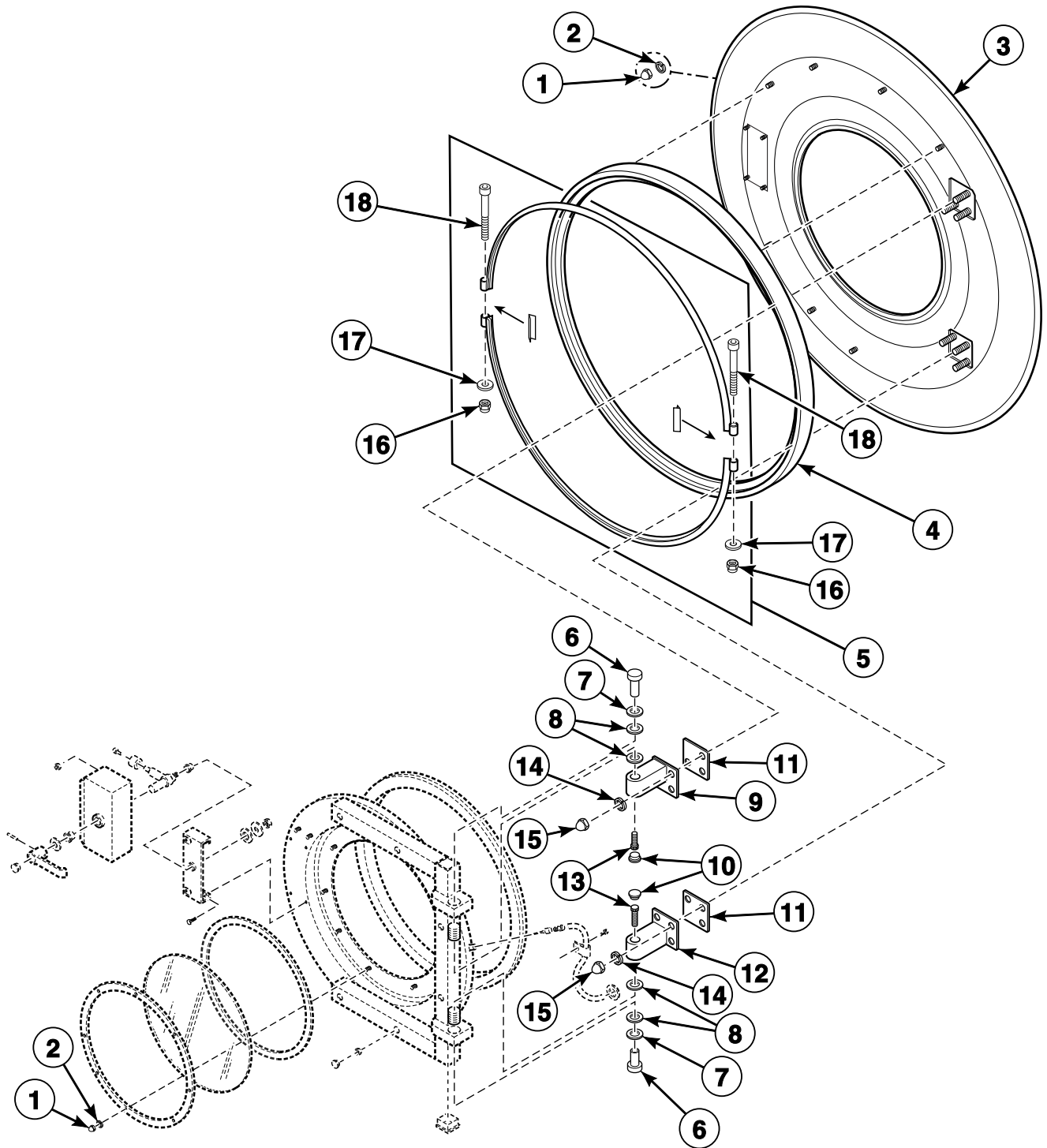
CFS1943P_F230557

Door - New Style (Drawing 1 of 2)

| REF | PART NO. | DESCRIPTION | COMMENTS |
|-----|-----------|--------------------------|---|
| 1 | F431222 | Spring Pin | |
| 2 | F431907 | Washer | Nylon |
| 3 | F280253 | Bushing | |
| 4 | F431024 | Nut | |
| 5 | F634127 | Door Lock Cover Weldment | |
| 6 | F340502P | Switch Magnet | |
| 7 | F100145 | Follower Cam | |
| 8 | F608536 | Pivot Lock Weldment | |
| | F746503 | Door Lock Pivot Kit | Models starting Serial No. 18920; Includes items 1-4 and 7-11 |
| | F730564-1 | Door Lock Pivot Kit | Models through Serial No. 18919; Includes items 1, 7, F431917 Washer, F431918 Washer, F606373 Washer, F280237 Bushing, F430911 Screw, F608260 Bearing Sleeve and F632247 Pivot Lock Retrofit Weldment |
| 9 | F280252 | Bushing | |
| 10 | F431142 | Washer | |
| 11 | F431143 | Washer | |
| 12 | F634156 | Door Weldment | |
| 13 | F8434805 | Door Gasket | |
| 14 | F250704 | Inflation Needle | |
| 15 | F608984 | Fitting | |
| 16 | F430903 | Screw | |
| 17 | F140910 | Insulator Bushing | |
| 18 | F200184P | Hose | |
| 19 | F140629 | Clamp | |
| 20 | F280293 | Bearing Sleeve | |
| 21 | N/A | Plug | |
| 22 | F430218 | Nut | |
| 23 | F140527 | Plug | |
| 24 | F634080 | Door Hinge Weldment | |
| 25 | F170153 | Door Glass Gasket | |
| 26 | F290213P | Door Glass | |
| 27 | F320137 | Glass Retainer Spinning | |
| 28 | F430929 | Screw | |
| 29 | F150225 | Door Handle | |
| 30 | F634086 | Door Hinge Assembly | Includes items 1-28 and items 4-13 on <i>Door - New Style (Drawing 2 of 2)</i> |
| 31 | F140563 | Plug | |

N/A = Part no longer available

Door - New Style (Drawing 2 of 2)

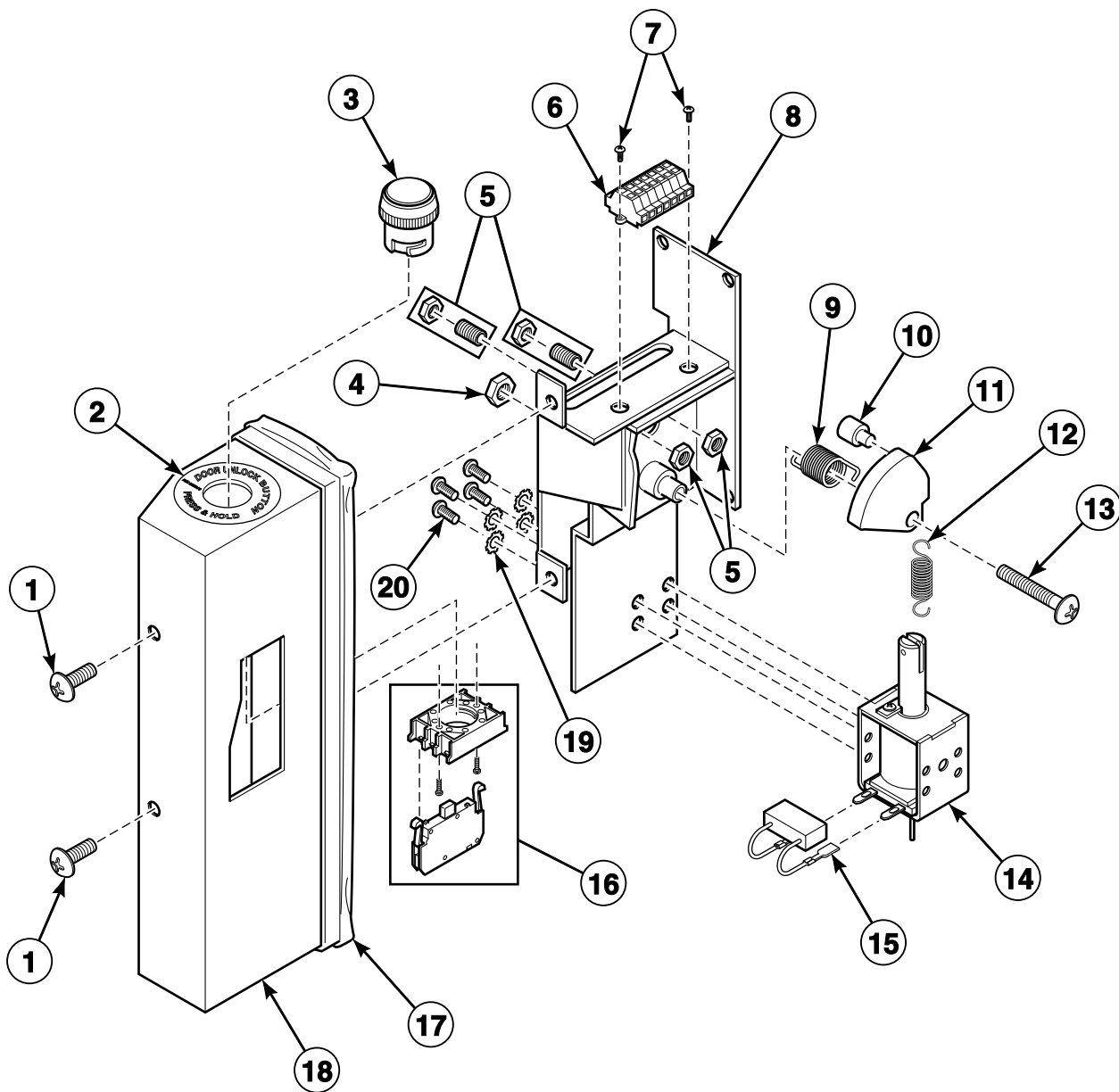


CFS1944P_F230557

Door - New Style (Drawing 2 of 2)

| REF | PART NO. | DESCRIPTION | COMMENTS |
|-----|-------------|----------------------|--------------|
| 1 | F8549401 | Nut | |
| 2 | F431100 | Washer | |
| 3 | F634123P | Shell Front Weldment | |
| 4 | F170120RP | Shell Band Gasket | 13 feet used |
| 5 | F606227 | Shell Clamp Assembly | |
| 6 | F432306 | Hinge Pin | |
| 7 | F431933 | Washer | Rubber |
| 8 | F431934 | Washer | Nylon |
| 9 | F0150284-00 | Upper Hinge Base | Upper |
| 10 | F190309 | Cap Plug | |
| 11 | F631662 | Hinge Shim | |
| 12 | F0150283-00 | Lower Hinge Base | Lower |
| 13 | F432285 | Screw | |
| 14 | F431144 | Washer | |
| 15 | F431047 | Nut | Acorn |
| 16 | F430215 | Nut | |
| 17 | F430317 | Washer | |
| 18 | F430500 | Screw | |

Door Lock



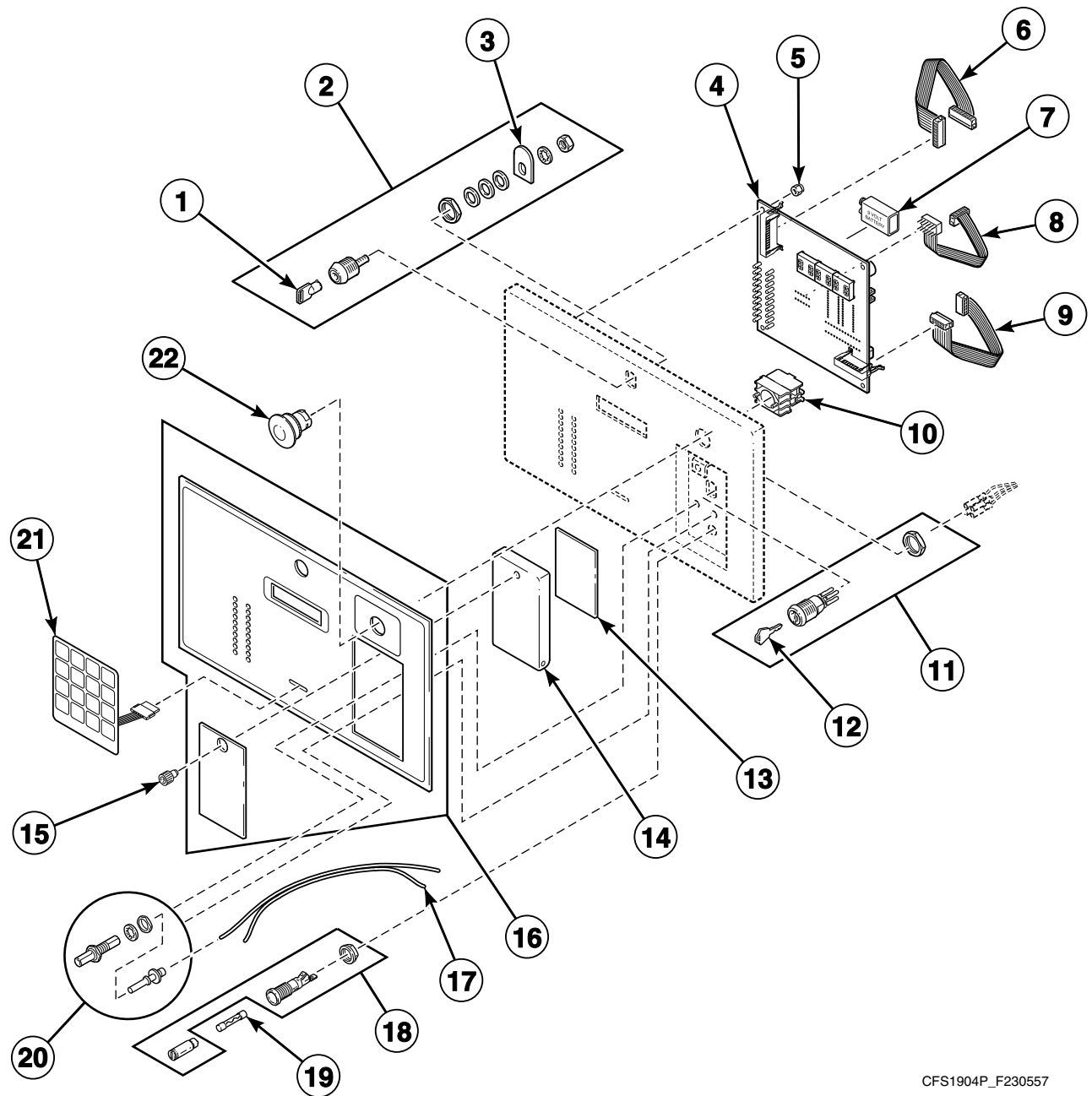
R032P_F230557

Door Lock

| REF | PART NO. | DESCRIPTION | COMMENTS |
|-----|-------------|-----------------------------------|--|
| | F730478 | Door Lock Kit | Includes F606385 Door Lock Assembly and F330217 RC Network Filter |
| 1 | F430985 | Screw | |
| 2 | F230816 | Door Unlock Decal | |
| 3 | N/A | Momentary Pushbutton | 800E-series; Order F8069902P Button Kit |
| | F8069902P | Button Kit | Used to convert from 800E-series to 800F-series; Includes F8069602 Momentary Pushbutton, F8538101 Contact Base and F8069501 Contact Switch |
| | F8069602 | Momentary Pushbutton | 800F-series |
| 4 | F430215 | Nut | |
| 5 | F340503P | Hall Effect Sensor Switch | |
| 6 | F140766 | Terminal | 8 pole |
| 7 | F430928 | Screw | |
| 8 | F8209801 | Door Lock Bracket Weldment | |
| 9 | F310133 | Door Cam Torsion Spring | |
| 10 | F340502P | Switch Magnet | |
| 11 | F0150518-00 | Door Lock Cam | |
| 12 | F310107 | Spring | |
| 13 | F430921 | Screw | |
| 14 | F300122P | Intermittent Duty Solenoid | 120 Volt |
| 15 | F330217P | RC Network Filter | Includes F140627 Connector and F141022 Connector |
| 16 | F340444 | Contact Block and Mounting Switch | 800E-series |
| | F8069501 | Contact Switch | 800F-series; Requires F8538101 Contact Base |
| 17 | F170400RP | Trim | Order 3 feet |
| 18 | F8071203 | Door Lock Cover Weldment | |
| 19 | F431106 | Washer | |
| 20 | F430995 | Screw | |

N/A = Part no longer available

Control Module Front



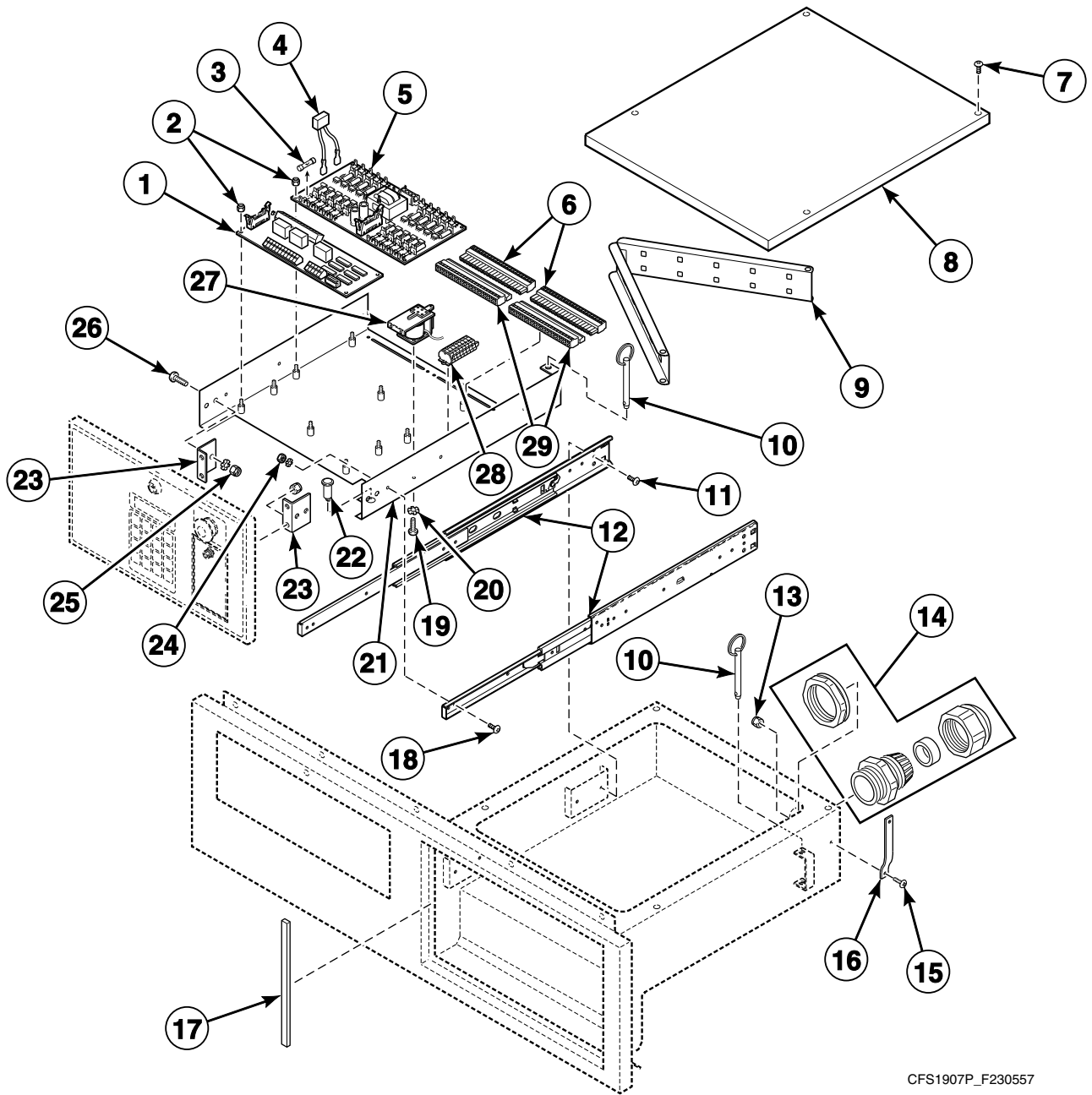
CFS1904P_F230557

Control Module Front

| REF | PART NO. | DESCRIPTION | COMMENTS |
|-----|-------------|----------------------------|---|
| 1 | F160562 | Key | GR3800 |
| 2 | F190802P | Lid Lock | |
| 3 | F606295 | Lock Latch | |
| 4 | F370534-20P | WE-6 Computer | Standard cycles |
| 5 | F430231 | Nut | |
| 6 | F140219P | Ribbon Cable | 26 pin; 15 inch |
| 7 | F191101 | Battery | |
| 8 | F140223P | Ribbon Cable | 16 pin; 8 inch |
| 9 | F140218P | Ribbon Cable | 16 pin; 12 inch |
| 10 | F340445 | Contact Block Switch | 800E-series; Includes mounting base |
| | F200299500 | Contact Block Switch | 800E-series; Without mounting base |
| | F8069501 | Contact Switch | 800F-series; Requires F8538101 Contact Base |
| 11 | F340800P | Keymode Run/Program Switch | Includes item 12 |
| 12 | F370709 | Program Key | A153 |
| 13 | F230785 | Control and Fuse Decal | |
| 14 | F631038 | Module Face Weldment | |
| 15 | F430525 | Screw | |
| 16 | F230783-2 | Control Panel Decal | |
| 17 | F604713 | Cable Assembly | Order 2 feet |
| 18 | F350304P | Fuse Holder | |
| 19 | F350104 | Fuse | 2 Amp; Fast |
| 20 | F606682 | Cable Assembly | 10 inch |
| 21 | F230724P | Keypad Decal | WE-6 |
| 22 | N/A | Emergency Stop Pushbutton | 800E-series; Order F200233700P Emergency Stop Button Kit |
| | F200233700P | Emergency Stop Button Kit | Used to convert from 800E-series to 800F-series; Includes F200233500 Emergency Stop Pushbutton, F8538101 Contact Base and F8069501 Contact Switch |
| | F200233500 | Emergency Stop Pushbutton | 800F-series |

N/A = Part no longer available

Control Module



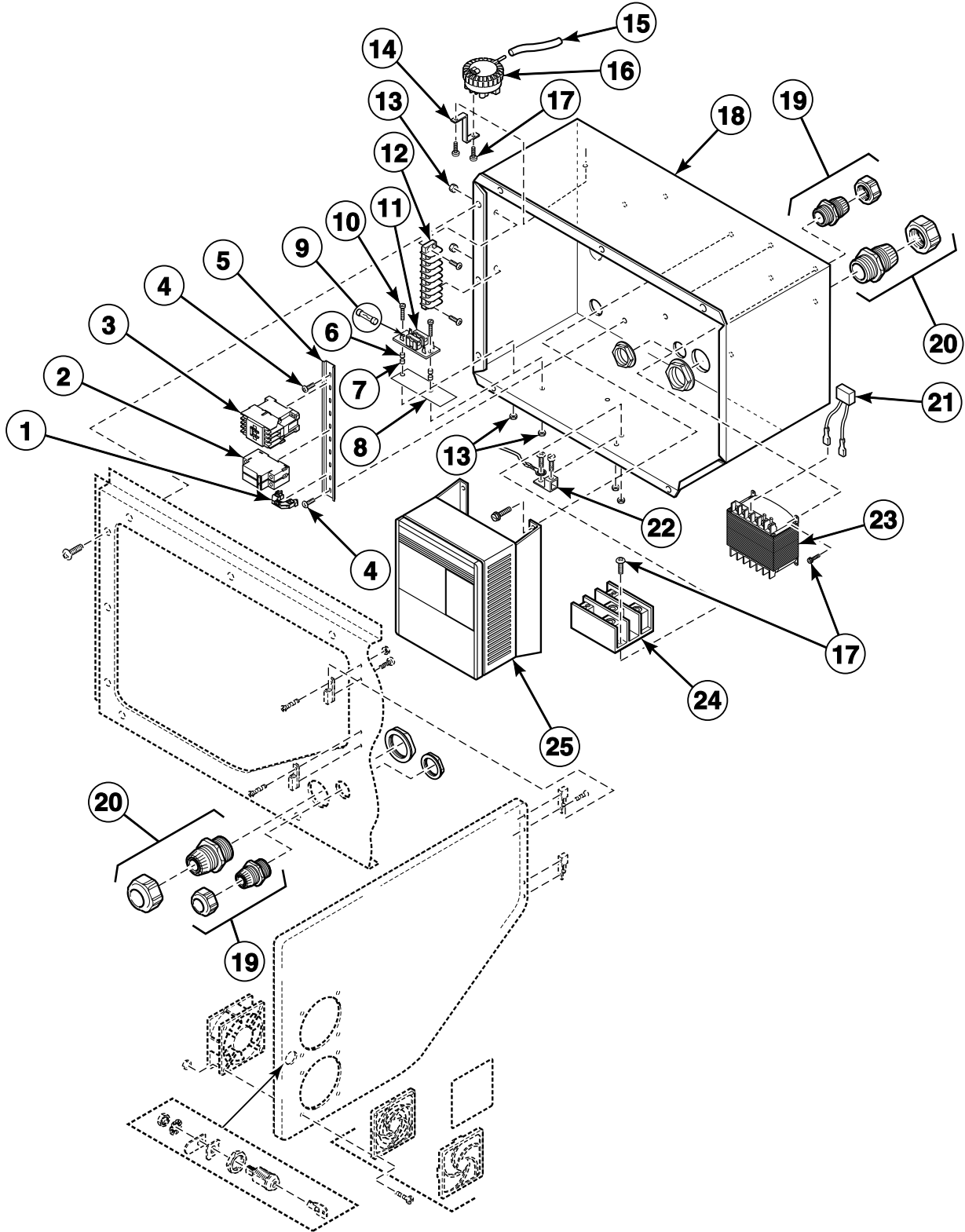
CFS1907P_F230557

Control Module

| REF | PART NO. | DESCRIPTION | COMMENTS |
|-----|--------------|--------------------------------|--|
| | F140881 | Lever | Use to connect wires at item 5 |
| 1 | F370446-1P | WE-6 Interface CCA Kit | Terminal screw connections |
| | F0370446-21P | WE-6 Interface CCA Kit | Molex plug connections |
| 2 | F430231 | Nut | |
| 3 | F350115 | Fuse | 3 Amp |
| | F350109 | Fuse | .5 Amp |
| | F350108 | Fuse | .125 Amp |
| 4 | F330217P | RC Network Filter | Includes F140627 Connector and F141022 Connector |
| 5 | F0370444-10P | Output CCA | |
| 6 | F140623 | 24 Circuit Connector | Plug |
| | F141002 | 12 Circuit Connector | Plug |
| 7 | F430986 | Screw | |
| 8 | F606543 | Electrical Box Cover | |
| 9 | N/A | Cable Guide Weldment | |
| 10 | F430407 | Ring-Grip Pin | |
| 11 | F430903 | Screw | |
| 12 | F190217 | Ball Bearing Set Slide | |
| 13 | F430215 | Nut | |
| 14 | F140339 | Strain Relief Connector | PG48 |
| 15 | F430925 | Screw | |
| 16 | N/A | Electrical Box Support Bracket | |
| 17 | F170128 | Sponge Rubber | 7 feet |
| 18 | F430917 | Screw | |
| 19 | F430928 | Screw | |
| 20 | F431113 | Washer | |
| 21 | F630251 | Electrical Panel Weldment | |
| 22 | F350412 | Light | Red |
| 23 | F606309 | Module Face Bracket | |
| 24 | F431022 | Nut | |
| 25 | F431017 | Nut | |
| 26 | F430920 | Screw | |
| 27 | F300203P | Buzzer | 120 Volt |
| 28 | F140779 | Terminal | |
| 29 | F140623 | 24 Circuit Connector | Socket |
| | F141002 | 12 Circuit Connector | Socket |

N/A = Part no longer available

AC Drive (Drawing 1 of 2)

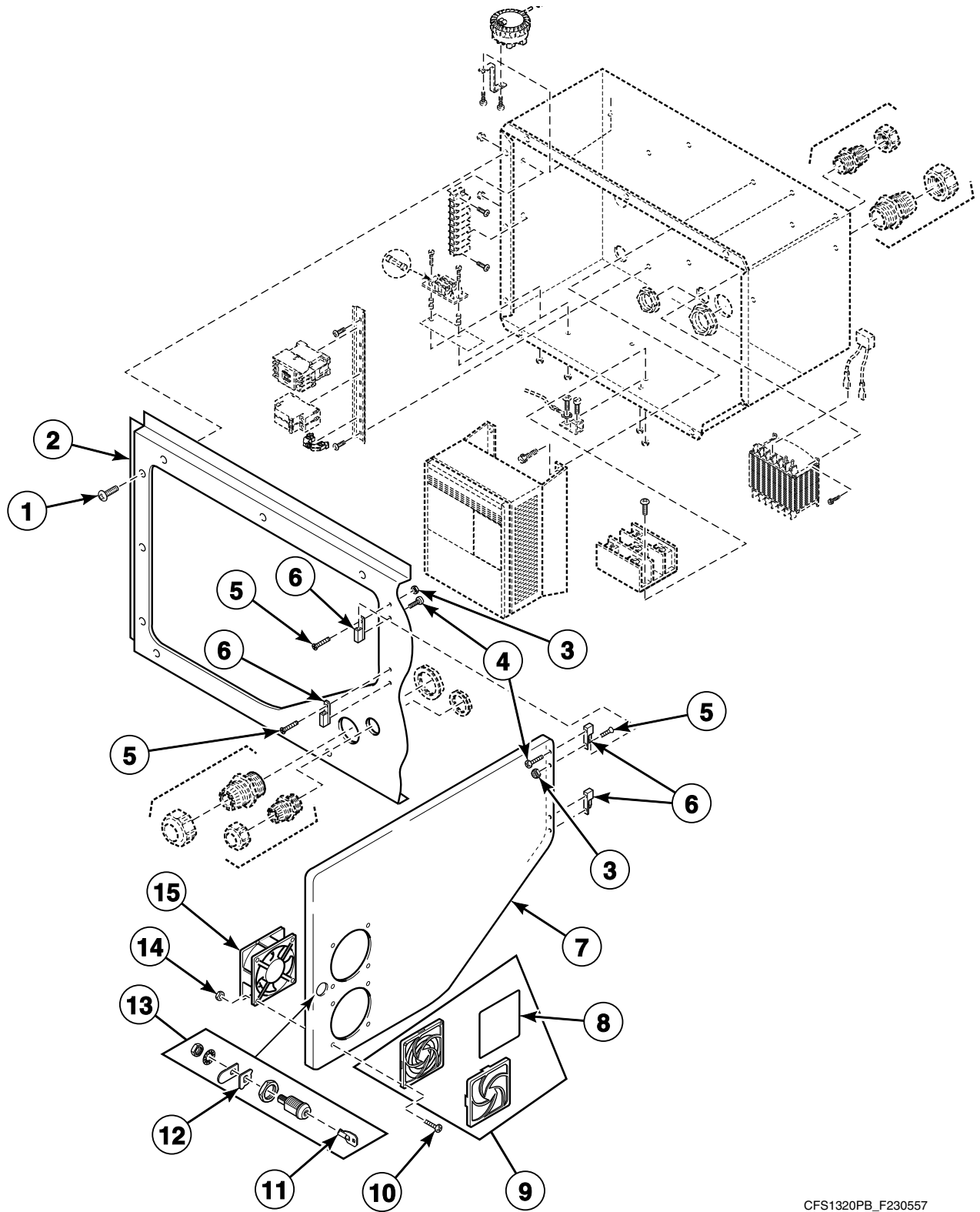


CFS1320PA_F230557

AC Drive (Drawing 1 of 2)

| REF | PART NO. | DESCRIPTION | COMMENTS |
|-----|--------------|-------------------------------|---|
| 1 | F330530 | End Anchor | |
| 2 | F350206 | Circuit Breaker | 200-240 Volt; 5 Amp; Q-voltage |
| | F350202P | Circuit Breaker | 380-415 Volt; 3 Amp; P-voltage |
| | C000302P | Circuit Breaker | 440-480 Volt; 2 Amp N-voltage |
| 3 | F330187P | Contactora | 200-240 Volt; Q-voltage |
| | F330178P | Contactora | 380-480 Volt; P and N-voltage |
| 4 | F430938 | Screw | |
| 5 | F610845 | Mounting Rail | |
| 6 | F180506 | Standoff | |
| 7 | F431800 | Nut | |
| 8 | F231271 | External Supply Fuse Decal | |
| 9 | F350115 | Fuse | 3 Amp; 220-240 Volt |
| 10 | F430910 | Screw | |
| 11 | F0350312-10 | Fuse Holder | 220-240 Volt |
| 12 | F140782 | Terminal Block | |
| 13 | F430215 | Nut | |
| 14 | F606585 | Water Pressure Switch Bracket | |
| 15 | F422404P | Tubing | |
| 16 | F0340349-10P | Water Level Switch | |
| 17 | F430920 | Screw | |
| 18 | F633002 | AC Drive Box Weldment | |
| 19 | F140329 | Strain Relief Connector | PG13.5 |
| 20 | F140224 | Strain Relief Connector | PG29 |
| 21 | F330217P | RC Network Filter | Includes F140627 Connector and F141022 Connector |
| 22 | F140734 | Ground Terminal Lug | |
| 23 | F360125P | Transformer | |
| 24 | M413865 | Terminal Block | 200-240 Volt; Q-voltage |
| | F140747 | Input Power Block | 380-480 Volt; P and N-voltage |
| 25 | F370837 | Inverter Drive | 200 Volt |
| | F370834 | Inverter Drive | 400 Volt |
| | F744029 | Retrofit Kit | Mitsubishi A-Series to Allen-Bradley 1305-Series; P and N-voltage |
| | F744028 | Retrofit Kit | Mitsubishi A-Series to Allen-Bradley 1305-Series; Q-voltage |
| | F744036 | Retrofit Kit | Mitsubishi Z-Series to Allen-Bradley 1305-Series; P and N-voltage |
| | F744035 | Retrofit Kit | Mitsubishi Z-Series to Allen-Bradley 1305-Series; Q-voltage |

AC Drive (Drawing 2 of 2)

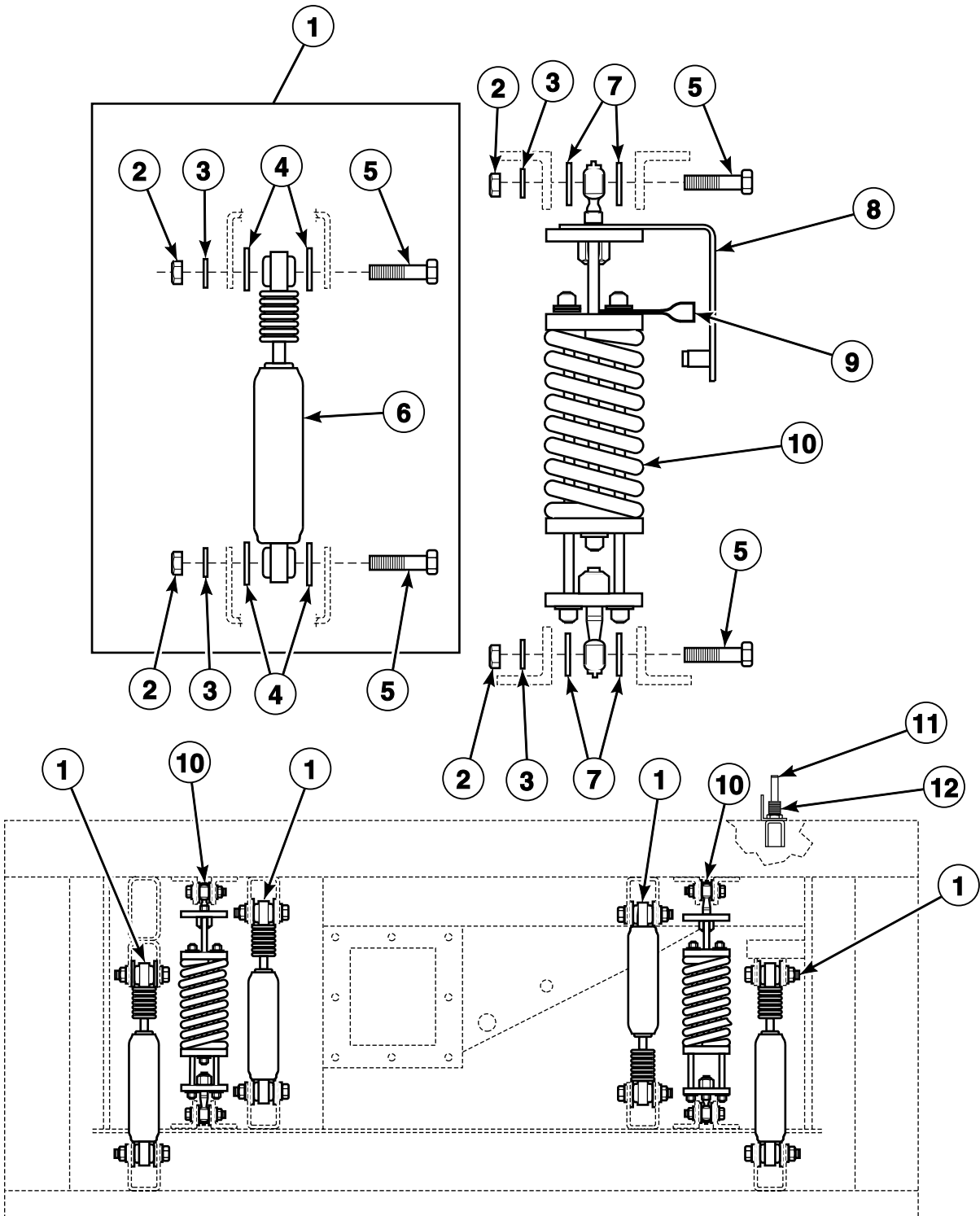


CFS1320PB_F230557

AC Drive (Drawing 2 of 2)

| REF | PART NO. | DESCRIPTION | COMMENTS |
|-----|-------------|-----------------------|-----------------|
| 1 | F430925 | Screw | |
| 2 | F632997 | Upper Rear Panel | |
| 3 | F431022 | Nut | |
| 4 | F432231 | Screw | |
| 5 | F430928 | Screw | |
| 6 | F190209P | Lift-Off Hinge | |
| 7 | F631490 | Electrical Box Cover | |
| 8 | F200318900P | Filter | |
| 9 | F220900 | Filter Retainer Guard | Includes item 8 |
| 10 | F430916 | Screw | |
| 11 | F160562 | Key | GR3800 |
| 12 | F606295 | Lock Latch | |
| 13 | F190802P | Lid Lock | |
| 14 | F430231 | Nut | |
| 15 | F110106 | Muffin Fan | 120 Volt |

Suspension System

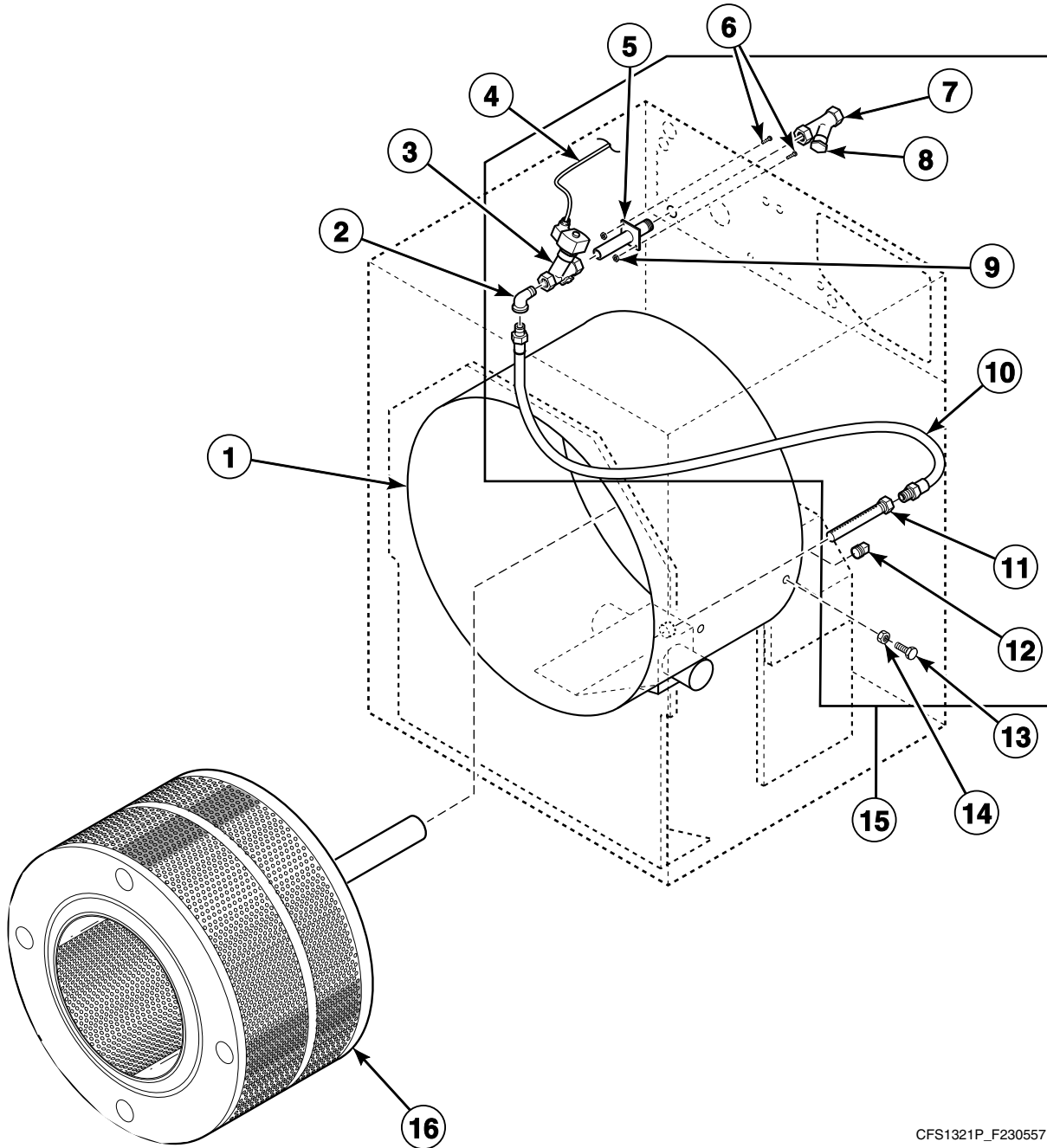


CFS 1905P_F230557

Suspension System

| REF | PART NO. | DESCRIPTION | COMMENTS |
|-----|----------|-----------------------------------|-------------------|
| 1 | F790202 | Shock Kit | |
| 2 | F430201 | Nut | |
| 3 | F430325 | Washer | |
| 4 | F431907 | Washer | Nylon |
| 5 | F430157 | Screw | |
| 6 | F250501 | Shock Absorber | |
| 7 | F431919 | Washer | Nylon |
| 8 | F730438 | Out-of-Balance Optical Sensor Kit | Mitsubishi |
| 9 | F606582 | Balance Sensor Bracket | |
| 10 | F790500 | Spring Kit | |
| 11 | F340913 | Switch Extension | |
| 12 | F340901 | Switch | Over travel limit |

Shell, Basket and Optional Steam Heat



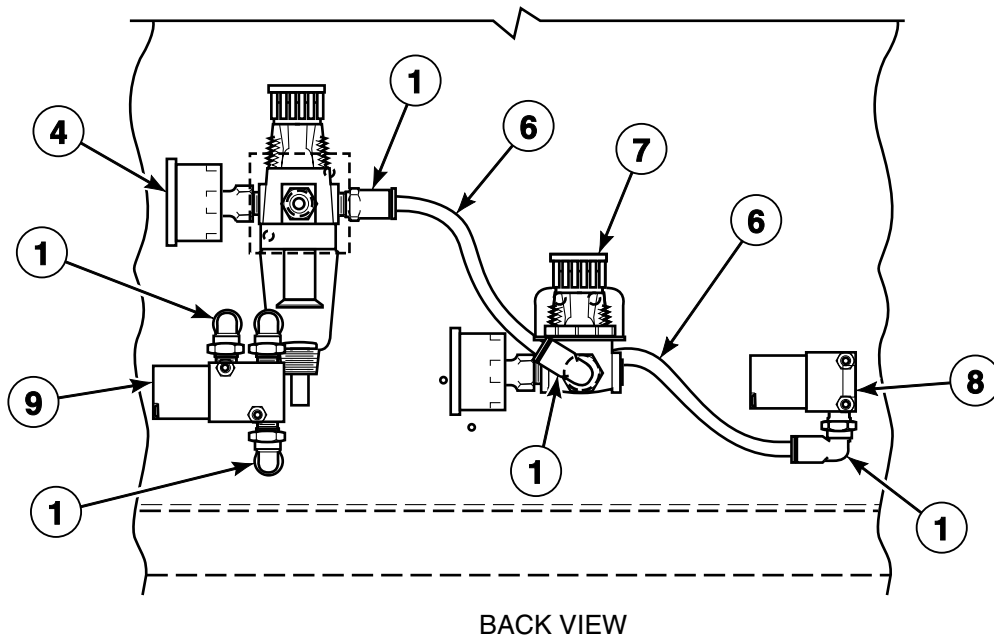
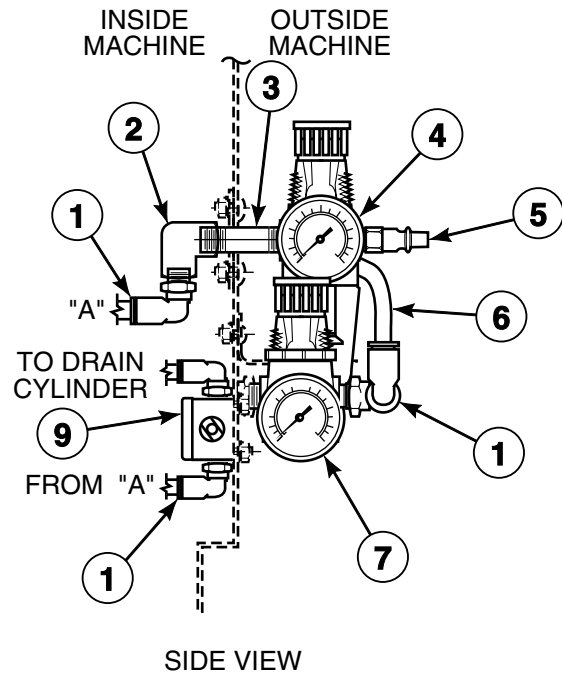
CFS1321P_F230557

Shell, Basket and Optional Steam Heat

| REF | PART NO. | DESCRIPTION | COMMENTS |
|-----|-----------|------------------------------|-------------------------|
| 1 | F607628 | Body Shell Weldment | Standard and steam heat |
| | N/A | Shell Assembly | Electric heat |
| 2 | M411264 | Street Elbow | |
| 3 | F8322904P | Steam Valve | |
| | F380985P | Steam Valve Repair Kit | |
| | F380986P | DIN Coil | |
| 4 | F140227 | Cable | Order 10 feet |
| 5 | F607659 | Steam Inlet Pipe Flange | |
| 6 | F430925 | Screw | |
| 7 | F270308 | Steam Filter | |
| 8 | F420408 | Plug | |
| 9 | F430215 | Nut | |
| 10 | F200183 | Steam Hose | |
| 11 | F603132 | Steam Injector Tube Assembly | |
| 12 | F421507 | Plug | |
| 13 | N/A | Screw | |
| 14 | F431025 | Nut | |
| 15 | F770000 | Steam Heat Kit | Includes items 2-14 |
| 16 | F607689 | Basket Assembly | |

N/A = Part no longer available

Pneumatic System



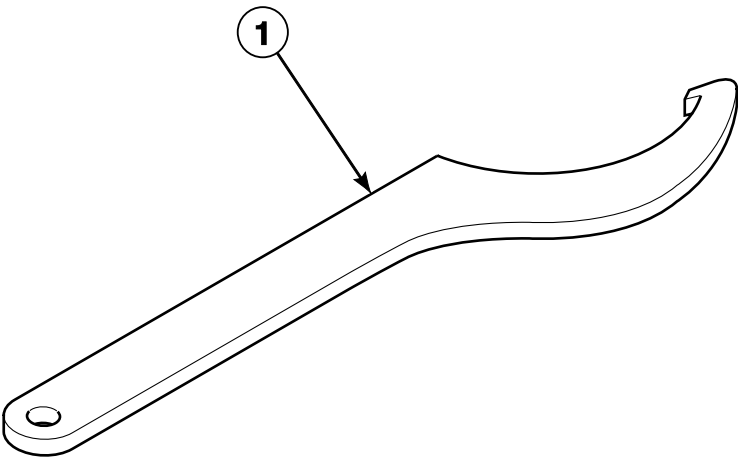
R039P_F230557

Pneumatic System

| REF | PART NO. | DESCRIPTION | COMMENTS |
|-----|----------|-----------------------------|------------------------|
| 1 | J1188192 | Pipe Elbow | |
| 2 | J1419811 | Swivel Tubing Elbow | |
| 3 | F607669 | Air Inlet Nipple Weldment | |
| 4 | F270315P | Regulator Filter | With gauge; Pneumatics |
| 5 | N/A | Quick Connect Nipple | |
| 6 | C000628P | Tubing | |
| 7 | F380118P | Door Relief Valve Regulator | |
| 8 | F380753P | Air Valve | Door gasket; MAC valve |
| 9 | F380718 | Air Valve | Drain; MAC valve |

N/A = Part no longer available

Special Tools



CFS1940P_F230557

Special Tools

| REF | PART NO. | DESCRIPTION | COMMENTS |
|-----|----------|---------------------|----------|
| 1 | F703644 | Spanner Wrench Tool | |

Parts Index

A

| | |
|--|--------|
| AC Drive Box Weldment F633002 | 37 |
| Air Cylinder F250308P | 21 |
| Air Inlet Nipple Weldment F607669 | 45 |
| Air Requirement Decal F231148 | 5 |
| Air Trap Hose F200163 | 21, 23 |
| Air Valve F380718 | 45 |
| F380753P | 45 |

B

| | |
|---|--------|
| Balance Sensor Bracket F606582 | 41 |
| Ball Bearing Set Slide F190217 | 35 |
| Basket Assembly F607689 | 11, 43 |
| Battery F191101 | 33 |
| Beaker F170408 | 19 |
| Bearing F100148 | 11 |
| Bearing Cladding Plate F606416 | 11 |
| Bearing Cover F607168 | 11 |
| Bearing Housing F607169 | 11 |
| Bearing Main Shim F606169 | 9 |
| Bearing Mounting Plate F606136F | 9 |
| Bearing Mounting Shim F606168-1 | 9 |
| F606168-2 | 9 |
| F606168-3 | 9 |
| Bearing Sleeve F280293 | 27 |
| Belt F280331 | 9 |
| Belt Tensioner Assembly F632036P | 15 |
| Belt Tensioner Hub F280377 | 15 |
| Body Shell Weldment F607628 | 43 |
| Bolt F430479 | 15 |
| Bottom Front Cover F607148 | 7 |

| | |
|--------------------------|--------|
| Bushing F280237 | 25 |
| F280250 | 9 |
| F280252 | 25, 27 |
| F280253 | 25, 27 |

| | |
|-------------------------------|----|
| Button Kit F8069902P | 31 |
|-------------------------------|----|

| | |
|--------------------------|----|
| Buzzer F300203P | 35 |
|--------------------------|----|

C

| | |
|--------------------------------------|---|
| Cabinet Front Panel F609702 | 7 |
|--------------------------------------|---|

| | |
|------------------------|----|
| Cable F140227 | 43 |
|------------------------|----|

| | |
|---------------------------------|----|
| Cable Assembly F604713 | 33 |
| F606682 | 33 |

| | |
|------------------------------|----|
| Cable Clamp F140645 | 23 |
|------------------------------|----|

| | |
|---------------------------|----|
| Cap Plug F190309 | 29 |
|---------------------------|----|

| | |
|------------------------------------|---|
| Center Side Panel F608942 | 7 |
|------------------------------------|---|

| | |
|-----------------------------------|----|
| Circuit Breaker C000302P | 37 |
| F350202P | 37 |
| F350206 | 37 |

| | |
|------------------------|--------|
| Clamp F140629 | 25, 27 |
|------------------------|--------|

| | |
|-----------------------|----|
| Coil F380900 | 17 |
| F380901P | 17 |

| | |
|-----------------------------------|---|
| Cold Water Decal F230857 | 5 |
|-----------------------------------|---|

| | |
|-----------------------------|----|
| Connector J1408004 | 11 |
|-----------------------------|----|

| | |
|--|----|
| Connector, 12 Circuit F141002 | 35 |
|--|----|

| | |
|--|----|
| Connector, 24 Circuit F140623 | 35 |
|--|----|

| | |
|--|----|
| Contact Block and Mounting Switch F340444 | 31 |
|--|----|

| | |
|--|----|
| Contact Block Switch F200299500 | 33 |
| F340445 | 33 |

| | |
|----------------------------------|--------|
| Contact Switch F8069501 | 31, 33 |
|----------------------------------|--------|

| | |
|--------------------------------|----|
| Contactactor F330178P | 37 |
| F330187P | 37 |

| | |
|---|----|
| Control and Fuse Decal F230785 | 33 |
|---|----|

| | |
|--|----|
| Control Panel Decal F230783-2 | 33 |
|--|----|

| | |
|------------------------|----|
| Cover F608935 | 19 |
|------------------------|----|

| | |
|--|----|
| Cylinder Mounting Plate F602834 | 21 |
|--|----|

N/A items do not appear in index.

D

| | |
|--------------------------------|--------|
| Decal | |
| F231014 | 19 |
| DIN Coil | |
| F380986P | 43 |
| DIN Connector | |
| F140609P | 17 |
| Disconnect Power Warning Label | |
| 505281 | 5 |
| Door Assembly | |
| F634481 | 25 |
| Door Cam Torsion Spring | |
| F310133 | 31 |
| Door Gasket | |
| F8434805 | 25, 27 |
| Door Glass | |
| F290213P | 25, 27 |
| Door Glass Gasket | |
| F170153 | 25, 27 |
| Door Handle | |
| F150225 | 25, 27 |
| Door Hinge Assembly | |
| F634086 | 27 |
| Door Hinge Shim | |
| F607603 | 25 |
| Door Hinge Weldment | |
| F634080 | 27 |
| Door Lock Bracket Weldment | |
| F8209801 | 31 |
| Door Lock Cam | |
| F0150518-00 | 31 |
| Door Lock Cover Weldment | |
| F634127 | 27 |
| F8071203 | 31 |
| Door Lock Kit | |
| F730478 | 31 |
| Door Lock Pivot Kit | |
| F730564-1 | 27 |
| F746503 | 27 |
| Door Relief Valve Regulator | |
| F380118P | 45 |
| Door Unlock Decal | |
| F230816 | 5, 31 |
| Door Warning Label | |
| 81968 | 5 |
| Door Weldment | |
| F634156 | 27 |
| Drain Decal | |
| F231150 | 5 |
| Drain Hose | |
| F200169 | 23 |
| F200178 | 23 |
| Drain Seal | |
| F100267 | 21 |
| Drain Valve Box Assembly | |
| F607117 | 21 |
| Drain Valve Box Weldment | |
| F607124 | 21 |
| Drain Valve Cover Weldment | |
| F607680 | 21 |

E

| | |
|-------------------------------|----|
| Electric Hazard Warning Decal | |
| F230831 | 5 |
| Electrical Box Cover | |
| F606543 | 35 |
| F631490 | 39 |
| Electrical Panel Weldment | |
| F630251 | 35 |
| Emergency Stop Button Kit | |
| F200233700P | 33 |
| Emergency Stop Pushbutton | |
| F200233500 | 33 |
| End Anchor | |
| F330530 | 37 |
| External Supply Fuse Decal | |
| F231271 | 37 |

F

| | |
|----------------------------|--------|
| Filter | |
| F200318900P | 39 |
| Filter Retainer Guard | |
| F220900 | 39 |
| Fitting | |
| F608984 | 25, 27 |
| Follower Cam | |
| F100145 | 25, 27 |
| Frame Cabinet Top Weldment | |
| F607139 | 7 |
| Front Bearing Kit | |
| F745011 | 11 |
| Front Side Panel | |
| F608943 | 7 |
| Fuse | |
| F350104 | 33 |
| F350108 | 35 |
| F350109 | 35 |
| F350115 | 35, 37 |
| Fuse Holder | |
| F0350312-10 | 37 |
| F350304P | 33 |

G

| | |
|-------------------------|--------|
| Glass Retainer Spinning | |
| F320137 | 25, 27 |
| Grease Fitting | |
| F190701 | 11 |
| Grease Manifold Kit | |
| F761900 | 11 |
| Ground Decal | |
| F230630 | 5 |
| F230739 | 5 |
| Ground Terminal Lug | |
| F140734 | 37 |

N/A items do not appear in index.

H

| | |
|---|------------|
| Hall Effect Sensor Switch F340503P | 31 |
| Hinge Pin F432306 | 29 |
| Hinge Shim F631662 | 29 |
| Hose F200184P | 21, 25, 27 |
| Hose Clamp F200213 | 19, 23 |
| F200215 | 17, 21, 23 |
| F200217 | 19 |
| F200220 | 23 |
| 36801 | 19 |
| Hot Water Decal F230856 | 5 |

I

| | |
|--|--------|
| Idler Bushing Kit F280414P | 15 |
| Inflation Needle F250704 | 25, 27 |
| Injection Nozzle F8322001 | 17, 19 |
| Injection Nozzle Kit F730168 | 19 |
| Input Power Block F140747 | 37 |
| Insulator Bushing F140910 | 25, 27 |
| Intermittent Duty Solenoid F300122P | 31 |
| Inverter Drive F370834 | 37 |
| F370837 | 37 |

K

| | |
|--|--------|
| Key F160562 | 33, 39 |
| F430807 | 9 |
| Keymode Run/Program Switch F340800P | 33 |
| Keypad Decal F230724P | 33 |

L

| | |
|------------------------------------|--------|
| Left Front Column F607147 | 7 |
| Lever F140881 | 35 |
| Lid Lock F190802P | 33, 39 |
| Lift-Off Hinge F190209P | 39 |

| | |
|---------------------------------------|--------|
| Light F350412 | 35 |
| Lip Seal F100253-1P | 11 |
| Liquid Supply Decal F230877 | 5 |
| Lock Latch F606295 | 33, 39 |
| Lower Hinge Base F0150283-00 | 29 |
| Lower Rear Cover F607656 | 7 |

M

| | |
|--|----|
| Middle Rear Cover F607151 | 7 |
| Module Face Bracket F606309 | 35 |
| Module Face Weldment F631038 | 33 |
| Momentary Pushbutton F8069602 | 31 |
| Motor F220218P | 13 |
| F220218UP | 13 |
| F220437P | 13 |
| Motor Bushing F280242 | 13 |
| Motor Shim F630872 | 13 |
| Motor Spacer F432290 | 13 |
| Mounting Rail F610845 | 37 |
| Muffin Fan F110106 | 39 |

N

| | |
|-------------------------|----------------------------|
| Nipple F420142 | 17 |
| Nut F430201 | 41 |
| F430215 | 17, 23, 29, 31, 35, 37, 43 |
| F430218 | 13, 27 |
| F430229 | 9 |
| F430231 | 33, 35, 39 |
| F430241 | 13 |
| F431004 | 25 |
| F431005 | 21, 23, 25 |
| F431016 | 17 |
| F431017 | 35 |
| F431018 | 21 |
| F431022 | 35, 39 |
| F431024 | 21, 23, 27 |
| F431025 | 43 |
| F431027 | 25 |
| F431047 | 29 |
| F431800 | 37 |
| F8549401 | 25, 29 |
| 802292 | 19 |

N/A items do not appear in index.

O

| | |
|-----------------------------------|----|
| O-Ring | |
| F170211 | 11 |
| F170212 | 11 |
| Outer Seal | |
| F100255 | 11 |
| Out-of-Balance Optical Sensor Kit | |
| F730438 | 41 |
| Output CCA | |
| F0370444-10P | 35 |

P

| | |
|-------------------------------|--------|
| Personal Injury Warning Decal | |
| F231065 | 5 |
| Pipe Elbow | |
| J1188192 | 45 |
| Pivot Guide | |
| F320322 | 25 |
| Pivot Lock Weldment | |
| F608536 | 25, 27 |
| Plug | |
| F140527 | 27 |
| F140563 | 25, 27 |
| F420408 | 43 |
| F421507 | 17, 43 |
| Program Key | |
| F370709 | 33 |
| Pulley | |
| F280150 | 13 |
| F280296P | 15 |
| Pulley Tensioner Kit | |
| F632238 | 15 |
| Push-Pull Knob | |
| F190101 | 19 |

R

| | |
|--|------------|
| RC Network Filter | |
| F330217P | 31, 35, 37 |
| Rear Bearing Kit | |
| F745012 | 9 |
| Reducer Bushing | |
| F420203 | 17 |
| F421936 | 21 |
| Regulator Filter | |
| F270315P | 45 |
| Remove Transformer Bracket Warning Tag | |
| F230560 | 5 |
| Retro Kit | |
| F744029 | 37 |
| Retrofit Kit | |
| F744028 | 37 |
| F744035 | 37 |
| F744036 | 37 |
| Ribbon Cable | |
| F140218P | 33 |
| F140219P | 33 |
| F140223P | 33 |

| | |
|--------------------|----|
| Right Front Column | |
| F607146 | 7 |
| Ring-Grip Pin | |
| F430407 | 35 |

S

| | |
|-------------------------|--------------------|
| Screw | |
| F430155 | 9 |
| F430157 | 41 |
| F430476 | 13 |
| F430500 | 29 |
| F430525 | 33 |
| F430528 | 15 |
| F430903 | 21, 25, 27, 35 |
| F430909 | 17 |
| F430910 | 37 |
| F430916 | 39 |
| F430917 | 35 |
| F430920 | 35, 37 |
| F430921 | 31 |
| F430923 | 25 |
| F430925 | 17, 23, 35, 39, 43 |
| F430928 | 31, 35, 39 |
| F430929 | 27 |
| F430935 | 21, 23 |
| F430938 | 37 |
| F430949 | 11 |
| F430957 | 11 |
| F430985 | 19, 31 |
| F430986 | 19, 35 |
| F430993 | 13 |
| F430995 | 31 |
| F432231 | 39 |
| F432264 | 25 |
| F432285 | 29 |
| Seal | |
| F100254-1P | 11 |
| Seal Holder | |
| F602827 | 21 |
| Shell Band Gasket | |
| F170120RP | 29 |
| Shell Clamp Assembly | |
| F606227 | 29 |
| Shell Front Cover | |
| F634149 | 7 |
| Shell Front Weldment | |
| F634123P | 29 |
| Shock Absorber | |
| F250501 | 41 |
| Shock Kit | |
| F790202 | 41 |
| Side Panel | |
| F607145 | 7 |
| Soap Dispenser Hose | |
| F150309 | 19, 23 |
| Soap Dispenser Weldment | |
| F609703 | 17, 19 |
| Solenoid Valve | |
| F380724P | 17 |
| Spanner Wrench Tool | |
| F703644 | 47 |
| Sponge Rubber | |
| F170128 | 35 |

N/A items do not appear in index.

| | | |
|------------------------------|-----------|------------|
| Spring | F310107 | 31 |
| Spring Kit | F790500 | 41 |
| Spring Pin | F431222 | 25, 27 |
| Standoff | F180506 | 37 |
| Steam Decal | F231147 | 5 |
| Steam Filter | F270308 | 43 |
| Steam Heat Kit | F770000 | 43 |
| Steam Hose | F200183 | 43 |
| Steam Injector Tube Assembly | F603132 | 43 |
| Steam Inlet Pipe Flange | F607659 | 43 |
| Steam Valve | F8322904P | 43 |
| Steam Valve Repair Kit | F380985P | 43 |
| Strain Relief Connector | F140224 | 13, 37 |
| | F140329 | 37 |
| | F140339 | 35 |
| Street Elbow | F420502 | 17 |
| | M411264 | 43 |
| Supply Dispenser Kit | F749005 | 19 |
| Supply Hose | F200171 | 23 |
| | F200172 | 23 |
| Supply Pipe | F607198 | 23 |
| Switch | F340901 | 41 |
| Switch Extension | F340913 | 41 |
| Switch Magnet | F340502P | 25, 27, 31 |
| Swivel Tubing Elbow | J1407741 | 9, 21 |
| | J1419811 | 11, 45 |

T

| | | |
|-------------------|----------|----|
| Tee | F420410 | 17 |
| Temperature Probe | F370606P | 21 |
| Terminal | F140766 | 31 |
| | F140779 | 35 |
| Terminal Block | F140782 | 37 |
| | M413865 | 37 |
| Top Front Cover | F607143 | 7 |

| | | |
|----------------|-----------|--------|
| Top Rear Cover | F607144 | 7 |
| Transformer | F360125P | 37 |
| Trim | F170400RP | 19, 31 |
| | F170404 | 19 |
| Tubing | C000628P | 45 |
| | F200168P | 17, 19 |
| | F422404P | 37 |

U

| | | |
|------------------|-------------|-------|
| U-Bolt Clamp | F200411 | 23 |
| | F200412 | 17 |
| Upper Hinge Base | F0150284-00 | 29 |
| Upper Rear Panel | F632997 | 7, 39 |

V

| | | |
|---------------------------|----------|----|
| Valve, 2-Way | F381722P | 17 |
| Valve, 3-Way | F381725P | 17 |
| Vent Hose | F200170 | 17 |
| Vent Outlet Pipe Weldment | F607137 | 23 |

W

| | | |
|---------------------------------|-------------|----------------|
| Washer | F0430351-00 | 9 |
| | F430309 | 15 |
| | F430317 | 29 |
| | F430325 | 41 |
| | F430332 | 13 |
| | F430705 | 9 |
| | F431100 | 21, 23, 25, 29 |
| | F431105 | 21 |
| | F431106 | 21, 31 |
| | F431113 | 35 |
| | F431118 | 25 |
| | F431137 | 25 |
| | F431142 | 25, 27 |
| | F431143 | 25, 27 |
| | F431144 | 29 |
| | F431907 | 27, 41 |
| | F431917 | 25 |
| | F431919 | 41 |
| | F431933 | 29 |
| | F431934 | 29 |
| | F602833 | 21 |
| | 901690 | 15 |
| Water Connection Inlet Manifold | F150246 | 17 |
| Water Hose | F200108P | 17, 19 |

N/A items do not appear in index.

| | |
|-------------------------------|----|
| F200180 | 23 |
| Water Level Switch | |
| F0340349-10P | 37 |
| Water Pipe | |
| F607194-1 | 23 |
| Water Pressure Switch Bracket | |
| F606585 | 37 |
| Water Valve | |
| C000339P | 17 |
| WE-6 Computer | |
| F370534-20P | 33 |
| WE-6 Interface CCA Kit | |
| F0370446-21P | 35 |
| F370446-1P | 35 |
