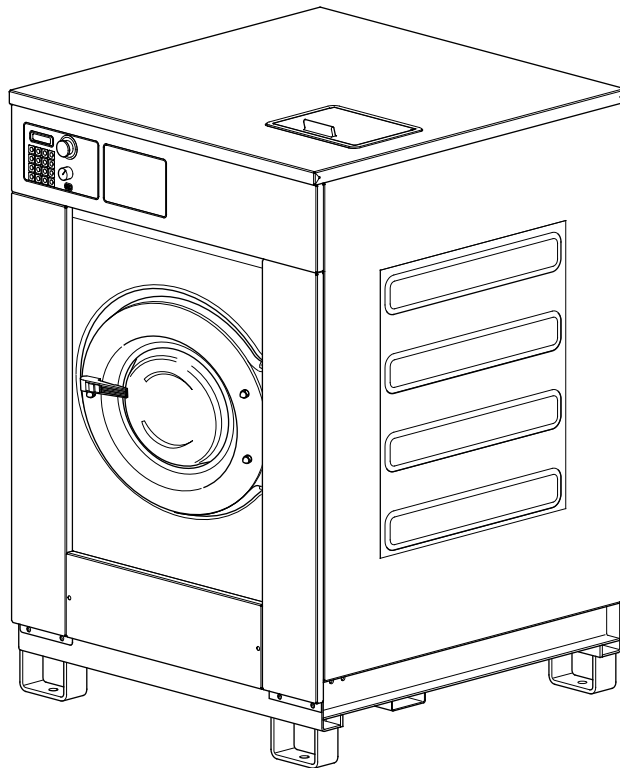


# Washer-Extractor

Cabinet Freestanding  
Refer to Page 5 for Model Numbers



CFD8C\_9001005



# Table of Contents

Title	Page
Parts Ordering Information.....	3
Serial Plate Location .....	3
Model Identification .....	5
Cabinet Freestanding Washer-Extractor Product Overview .....	6
Frame - 55 Pound Models .....	8
Frame - 75 Pound Models .....	10
Shock and Spring Assembly - 55 Pound Models Through 6/20/11 and 75 Pound Models Through 11/13/11 .....	12
Shock and Spring Assembly - 55 Pound Models Starting 6/21/11 .....	14
Shock and Spring Assembly - 75 Pound Models Starting 11/14/11 .....	16
Shell, Basket and Front Panel - Design 6 Models .....	18
Shell, Basket and Front Panel - Design 7 Models .....	20
Bearing Assembly - 55 Pound Models Through 1/30/11 .....	22
Bearing Assembly - 55 Pound Models Starting 1/31/11 .....	24
Bearing Assembly - 75 Pound Models.....	26
Basket, Pulley and Belt - 55 Pound Models.....	28
Basket, Pulley and Belt - 75 Pound Models.....	30
Motor - 55 Pound Models.....	32
Motor - 75 Pound Models.....	34
Drain Assembly.....	36
Single Drain Assembly.....	38
Dual Drain Assembly .....	40
Door Lock.....	42
Door - Design 6 Models .....	44
Door - Design 7 Models Through 9/30/07.....	46
Door - Design 7 Models Starting 10/1/07 .....	48
Door Handle.....	50
Control Panel - Models UX055PVXF7, UX55PVXF6 and UX55PVXF7 .....	52
Control Panel - All Models Except UX055PVXF7, UX55PVXF6 and UX55PVXF7 .....	54
Control Module Through February 2006 - 55 Pound Models.....	56
Control Module Through February 2006 - 75 Pound Models.....	58
Control Module Starting March 2006 .....	60
Front, Left Side and Upper Back Panels - 55 Pound Models Except Models UX055PVXF7, UX55PVXF6 and UX55PVXF7.....	62
Front, Left Side and Upper Back Panels - Models UX055PVXF7, UX55PVXF6 and UX55PVXF7.....	64
Front, Left Side and Upper Back Panels - 75 Pound Models Through 9/30/08 .....	66
Front, Left Side and Upper Back Panels - 75 Pound Models Starting 10/1/08 Through 11/13/11.....	68
Front, Left Side and Upper Back Panels - 75 Pound Models Starting 11/14/11 .....	70
Top, Right Side and Lower Back Panels - Models UX055PVXF7, UX55PVXF6 and UX55PVXF7.....	72
Top, Right Side and Lower Back Panels - All Models Except UX055PVXF7, UX55PVXF6 and UX55PVXF7.....	74
Fill Plumbing - Models UX055PVXF7, UX55PVXF6 and UX55PVXF7.....	76
Fill Plumbing - All Models Except UX055PVXF7, UX55PVXF6 and UX55PVXF7.....	78

© Copyright 2014, Alliance Laundry Systems LLC

All rights reserved. No part of the contents of this book may be reproduced or transmitted in any form or by any means without the expressed written consent of the publisher.

Upper Back Panel - 55 Pound Models .....	80
Upper Back Panel - 75 Pound Models .....	82
Upper Back Panel - 55 Pound Models Starting Serial No. 0605755253 and 75 Pound Models Starting Serial No. 060775059 .....	84
Balance Switch .....	86
Supply Dispenser - Models UX055PVXF7, UX55PVXF6 and UX55PVXF7 .....	88
Supply Dispenser - All Models Except UX055PVXF7, UX55PVXF6 and UX55PVXF7 .....	90
Electric Heating Option .....	92
Steam Heating Option.....	94
Parts Index.....	97

## Parts Ordering Information

If literature or replacement parts are required, contact the source from whom the machine was purchased or contact Alliance Laundry Systems at (920) 748-3950 for the name and address of the nearest authorized parts distributor.

For technical assistance, call either of the numbers listed below:

(920) 748-3121 Ripon, Wisconsin

+32 56 41 20 54 Wevelgem, Belgium

## Serial Plate Location

When calling or writing about your product, be sure to mention model and serial numbers. Model and serial numbers are located on Serial plate(s).



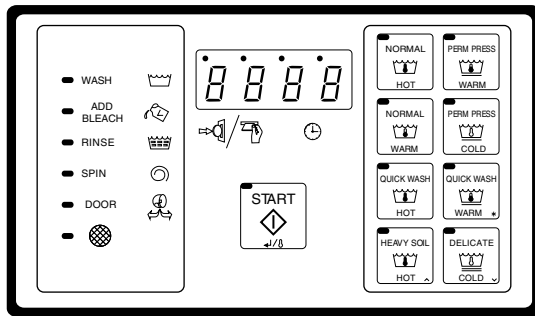
## Model Identification

Information in this manual is applicable to these washer-extractor models:

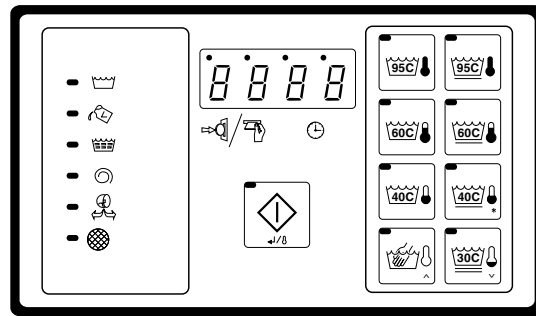
HX055PVNU7	SX055PVNU7	UX055PVNU7
HX055PVQU7	SX055PVPU7	UX055PVPU7
HX055PVXU7	SX055PVQU7	UX055PVQU7
HX075PVNU7	SX055PVXU7	UX055PVXF7
HX075PVPU7	SX075PVNU7	UX055PVXU7
HX075PVQU7	SX075PVPU7	UX075PVNU7
HX55PVNU6	SX075PVQU7	UX075PVPU7
HX55PVNU7	SX55PVNU6	UX075PVQU7
HX55PVQU6	SX55PVNU7	UX55PVNU6
HX55PVQU7	SX55PVPU6	UX55PVNU7
HX55PVXU6	SX55PVPU7	UX55PVPU6
HX55PVXU7	SX55PVQU6	UX55PVPU7
HX75PVNU6	SX55PVQU7	UX55PVQU6
HX75PVNU7	SX55PVXU6	UX55PVQU7
HX75PVPU7	SX55PVXU7	UX55PVXF6
HX75PVQU6	SX75PVNU6	UX55PVXF7
HX75PVQU7	SX75PVNU7	UX55PVXU6
	SX75PVPU7	UX55PVXU7
	SX75PVQU6	UX75PVNU6
	SX75PVQU7	UX75PVNU7
		UX75PVPU6
		UX75PVPU7
		UX75PVQU6
		UX75PVQU7

# Cabinet Freestanding Washer-Extractor Product Overview

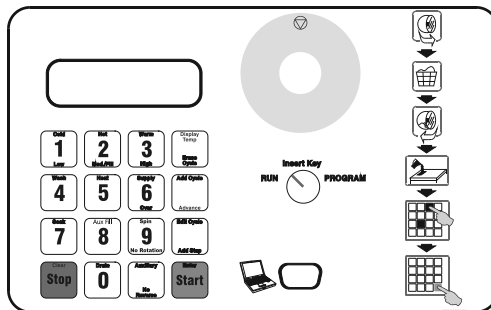
Model No. \*X55PVXM60001  
 Serial No. 0000000000  
 Voltage 200-240/50-60/1-3 Amps 12  
 Required Circuit Breaker Amps 15  
 Hz 50-60 Wire 2/3+PE Phase 1/3  
 Max. Load 55 LB 25 KG Max. Speed 1000 RPM  
 Elec. Heating KW Steam Press. PSI BAR



B Computer (Domestic)



B Computer (International)



WE-8 Micro

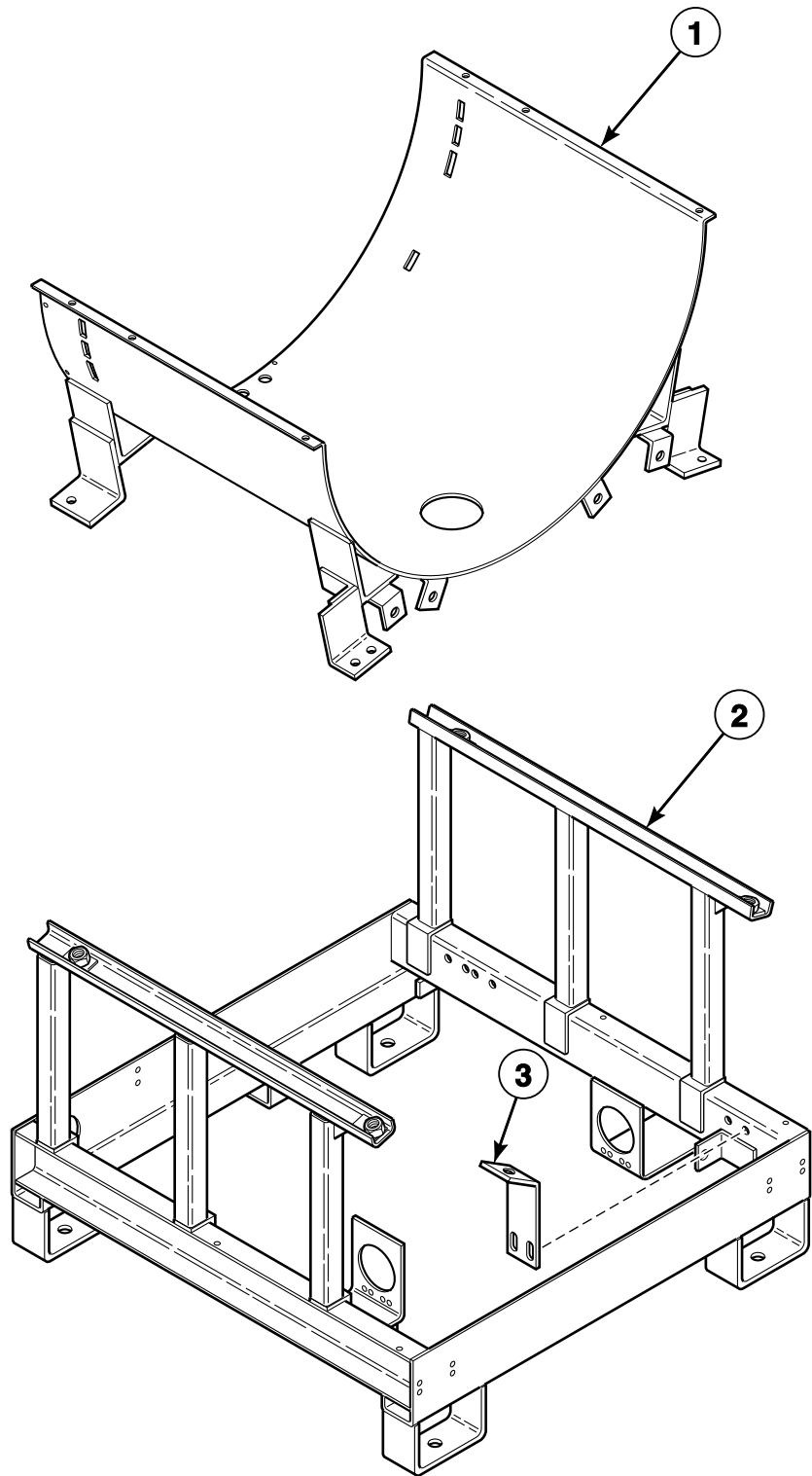
CFD266P\_9001005



# Cabinet Freestanding Washer-Extractor Product Overview

REF	PART NO.	DESCRIPTION	COMMENTS
1	-	Product Family	HX NX SX UX
2	-	Capacity (Pounds)	18 25 30 35 55 or 055 75 or 075 100 135 165
3	-	Control	B (B Computer) P (WE-8 Micro)
4	-	Speed	V (Variable)
5	-	Voltage	N (440-480/50-60/3/3) P (380-415/50-60/3/3) Q (200-240/50-60/3/3) X (200-240/50-60/1/3)
6	-	OEM	A F M U
7	-	Design	6 and 7

# Frame - 55 Pound Models

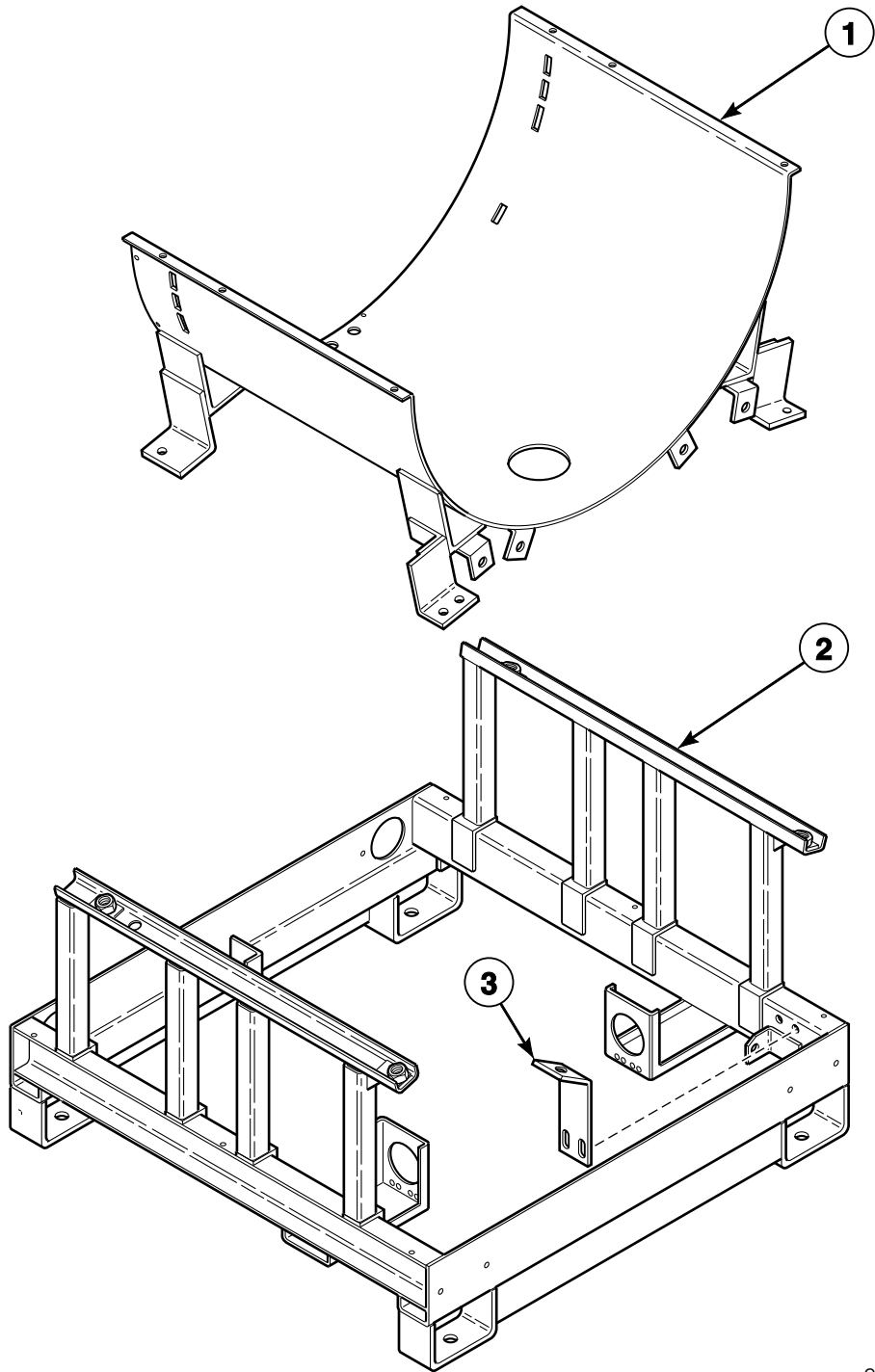


CFD110P\_9001005

## Frame - 55 Pound Models

REF	PART NO.	DESCRIPTION	COMMENTS
1	9001025	Tub Support	
2	9001101	Frame	
3	9001771	Shipping Brace	

# Frame - 75 Pound Models

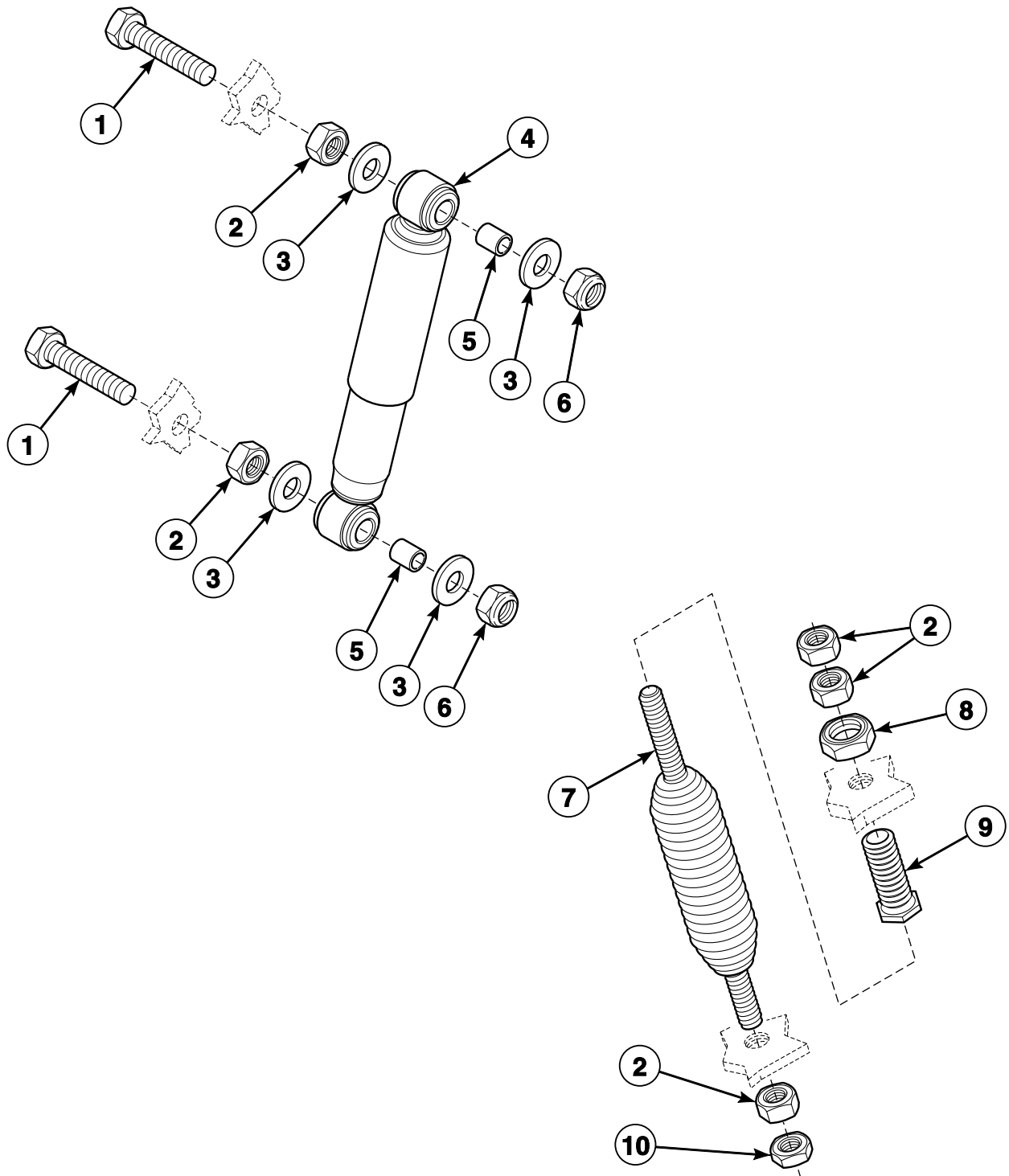


CFD111P\_9001005

## Frame - 75 Pound Models

REF	PART NO.	DESCRIPTION	COMMENTS
1	9001016	Tub Support	
2	9001100	Frame	
3	9001772	Shipping Brace	

# Shock and Spring Assembly - 55 Pound Models Through 6/20/11 and 75 Pound Models Through 11/13/11

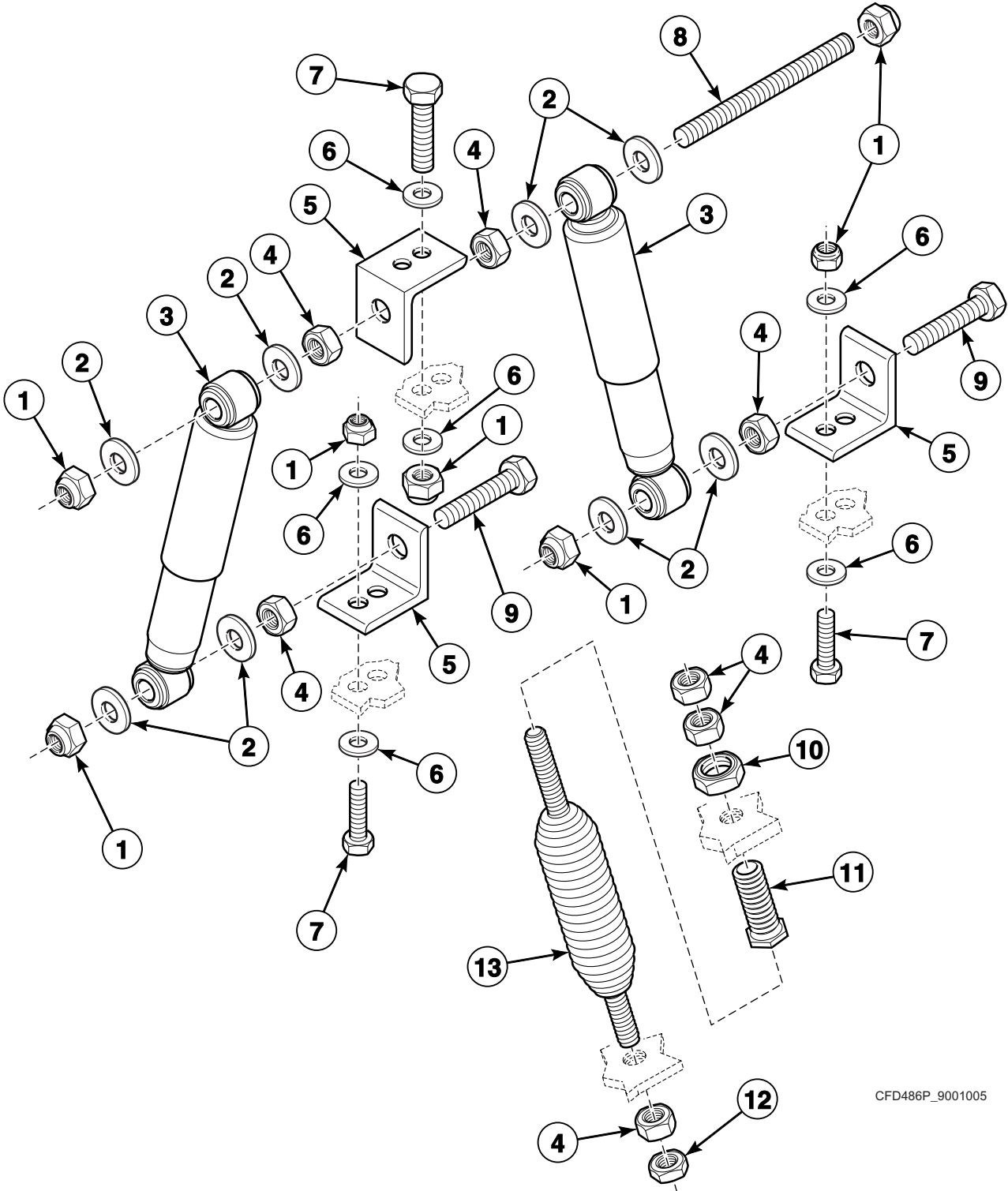


CFD273P\_9001005

## Shock and Spring Assembly - 55 Pound Models Through 6/20/11 and 75 Pound Models Through 11/13/11

REF	PART NO.	DESCRIPTION	COMMENTS
	B12419101	Shock Absorber Service Kit	55 pound models; Used to convert to the dual shock absorber configuration
	B12460901	Shock Absorber Service Kit	75 pound models; Used to convert to the dual shock absorber configuration
<b>1</b>	206/00153/00	Bolt	
<b>2</b>	9001255	Nut	
<b>3</b>	9001223	Washer	
<b>4</b>	9001617	Shock Absorber	Includes 2 of item 5
<b>5</b>	211/00137/10	Shock Absorber Bushing	
<b>6</b>	9001266	Nut	
<b>7</b>	B12456301	Suspension Spring	55 pound models
	B12440101	Suspension Spring	75 pound models
<b>8</b>	9001256	Nut	
<b>9</b>	9001557	Bolt	
<b>10</b>	9001257	Nut	

# Shock and Spring Assembly - 55 Pound Models Starting 6/21/11



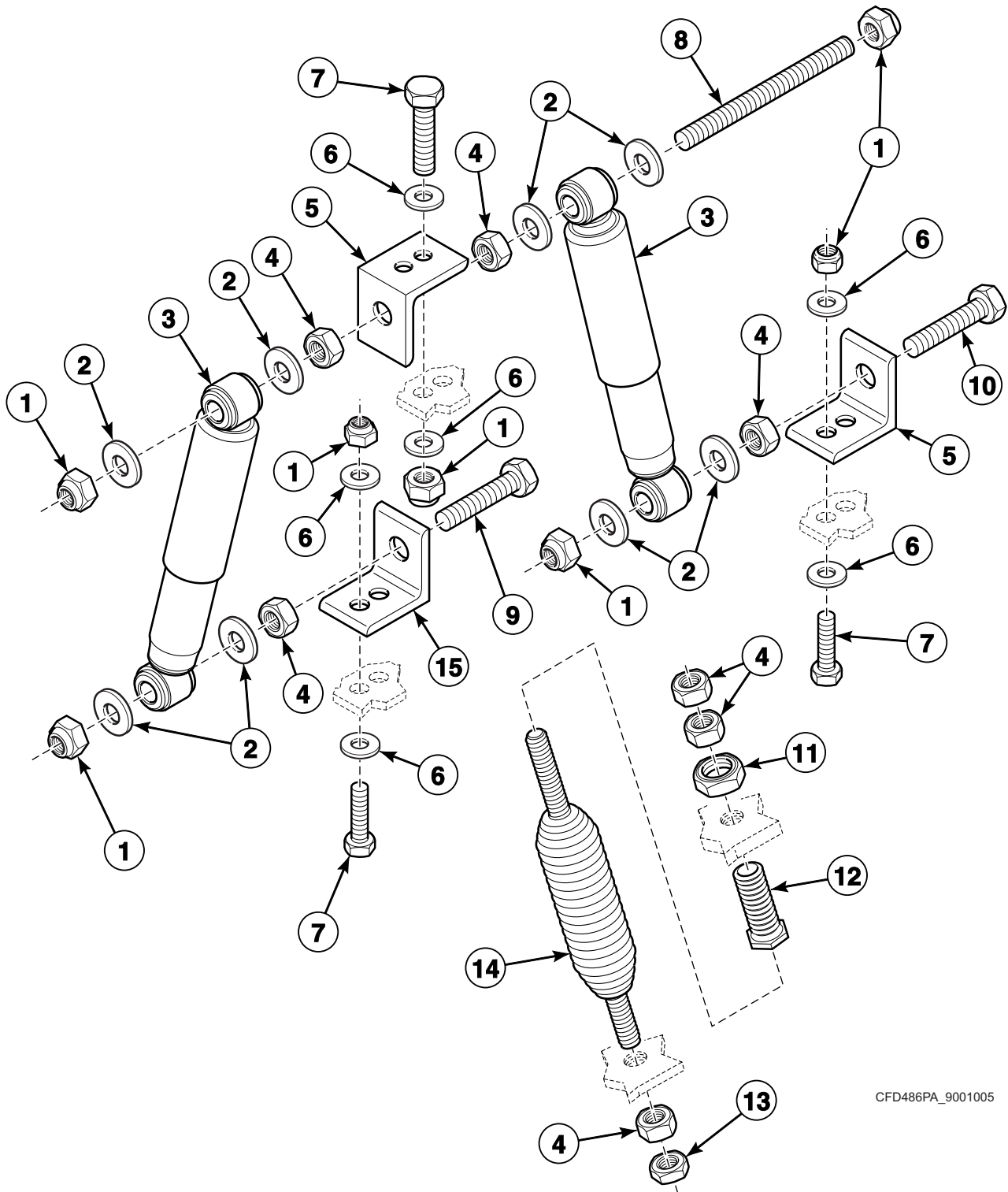
CFD486P\_9001005



# Shock and Spring Assembly - 55 Pound Models Starting 6/21/11

REF	PART NO.	DESCRIPTION	COMMENTS
	B12419101	Shock Absorber Service Kit	Includes items 1-6, 8, 9, 206/00119/00 Bolt, 204/00110/00 Nut, 111/10101/00 Dispenser Front Mounting Plate, 111/10102/00 Dispenser Rear Mounting Plate, 206/00027/00 Bolt, 202/00004/00 Washer, 204/00114/00 Nut, B12419501 Small Caliber and B12419401 Large Caliber
1	9001266	Nut	
2	9001208	Washer	
3	9001617P	Shock Absorber	
4	9001255	Nut	
5	B12418401	Support	
6	9001216	Washer	
7	206/00087/00	Bolt	
8	B12511601	Threaded Rod	
9	206/00153/00	Bolt	
10	9001256	Nut	
11	9001557	Bolt	
12	9001257	Nut	
13	B12456301	Suspension Spring	

# Shock and Spring Assembly - 75 Pound Models Starting 11/14/11

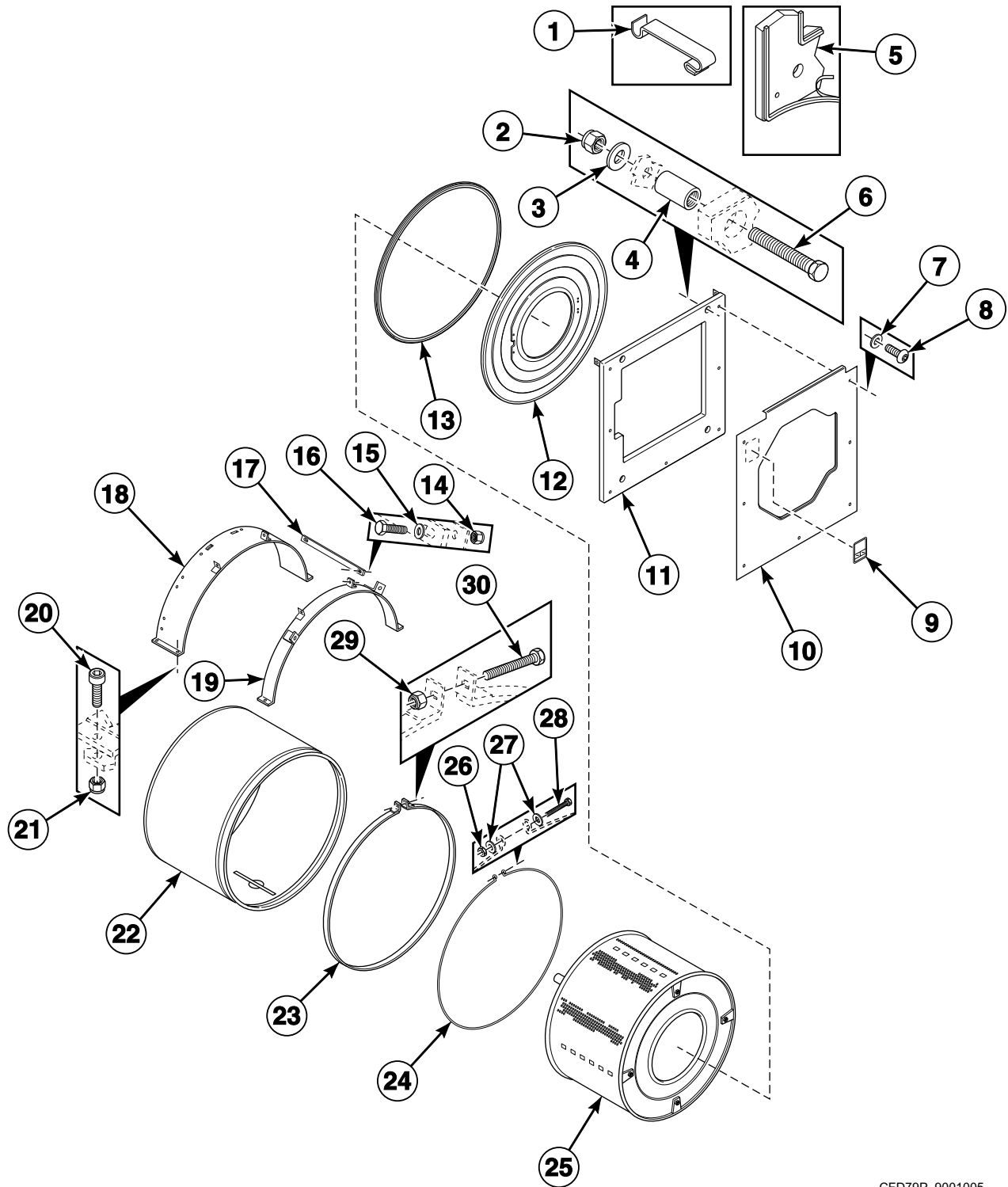


CFD486PA\_9001005

# Shock and Spring Assembly - 75 Pound Models Starting 11/14/11

REF	PART NO.	DESCRIPTION	COMMENTS
	B12460901	Shock Absorber Service Kit	Includes items 1-6, 8-10, and 15, 206/00119/00 Bolt, 204/00110/00 Nut, B12459801 Out-of-Balance Frame, B12456101 Support Bracket, B12456201 Support Bracket, 206/00027/00 Bolt, 202/00004/00 Washer, 204/00114/00 Nut, B12463301 Small Caliber and B12463201 Large Caliber
1	9001266	Nut	
2	9001208	Washer	
3	9001617P	Shock Absorber	
4	9001255	Nut	
5	B12455401	Support	
6	9001216	Washer	
7	206/00087/00	Bolt	
8	B12511601	Threaded Rod	
9	206/00153/00	Bolt	
10	B12455301	Support	
11	9001256	Nut	
12	9001557	Bolt	
13	9001257	Nut	
14	B12456301	Suspension Spring	
15	B12418401	Support	

# Shell, Basket and Front Panel - Design 6 Models

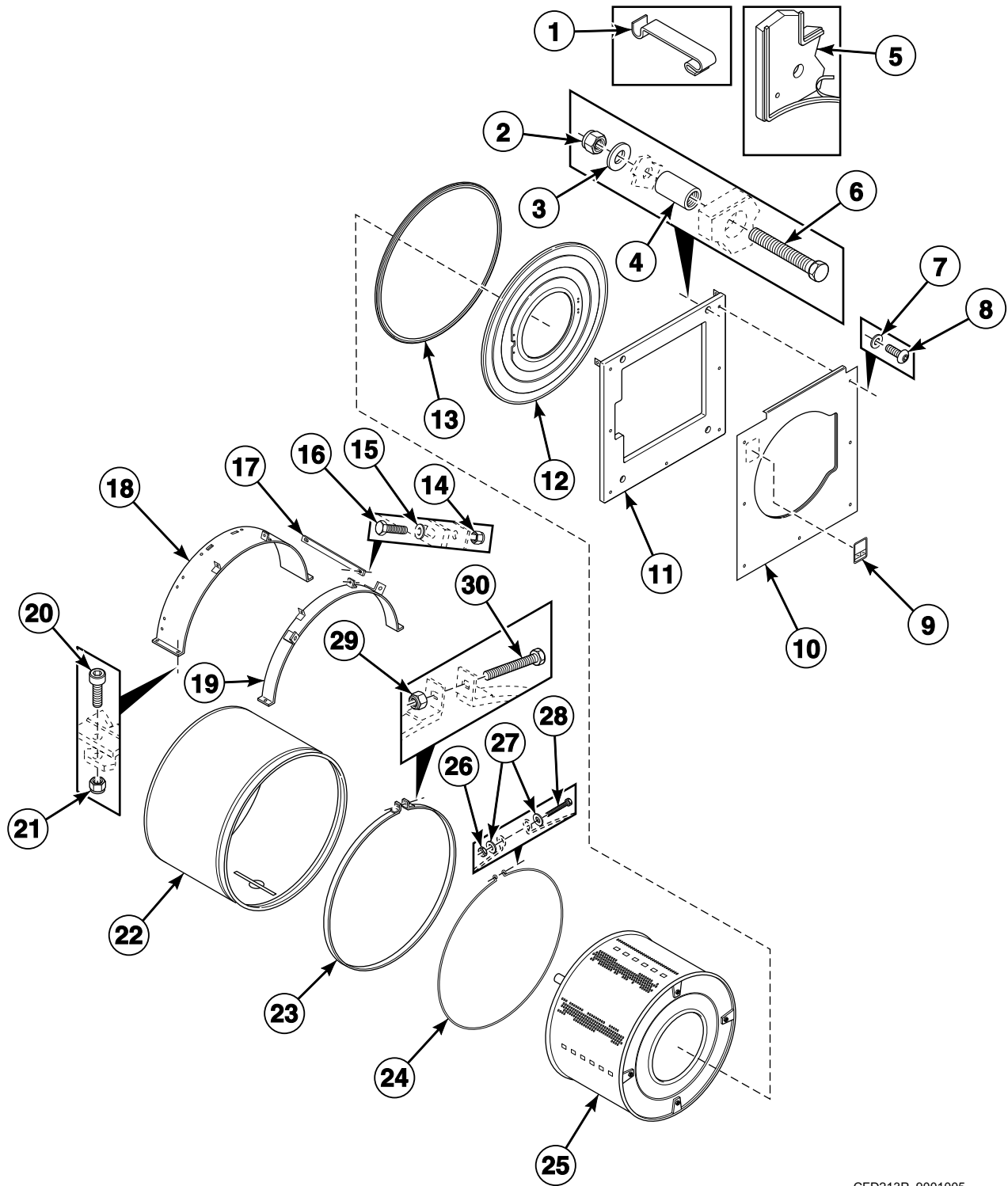


CFD79P\_9001005

## Shell, Basket and Front Panel - Design 6 Models

REF	PART NO.	DESCRIPTION	COMMENTS
1	9001464	Tub Front Panel Clip	
2	9001266	Nut	
3	B12522101	Washer	
4	115/00151/00	Spacer	
5	9001607	Gasket	
6	9001306	Bolt	
7	9001214	Washer	55 pound models
	9001233	Washer	75 pound models
8	9001657	Screw	55 pound models
	9001675	Screw	75 pound models
9	9001741	Door Handle Decal	
10	9001096	Door Front Panel	55 pound models
	9001088	Door Front Panel	75 pound models
11	9001024	Counterweight	55 pound models
	9001023	Counterweight	75 pound models
12	9001139	Tub Front	55 pound models
	9001130	Front Panel	75 pound models
13	223/00242/40	Tub Front Panel Gasket	55 pound models
	223/00242/50	Front Panel Gasket	75 pound models
14	9001262	Nut	
15	9001216	Washer	
16	9001287	Bolt	
17	115/00125/00	Tub Mount Rings Bracket	
18	115/00162/00	Tub Tightening Ring	
19	115/00161/00	Tub Front Mounting Strap	55 pound models
	115/00163/00	Tub Tightening Ring	75 pound models
20	9001313	Screw	
21	9001264	Nut	
22	119/00213/11	Tub	Model UX55PVXF6
	B12330201	Tub	All other 55 pound models; Standard
	B12330101	Tub	All other 55 pound models; Electric heat
	B12330301	Tub	All other 55 pound models; Electric and steam heat
	B12330601	Tub	75 pound models; Standard
	B12330501	Tub	75 pound models; Electric and steam heat
	9001124	Tub	75 pound models; Steam heat
23	9001138	Tub Mounting Strap	55 pound models
	9001132	Tub Strap	75 pound models
24	9001603	Tub Clamp Ring	55 pound models
	9001598	Tub Front Ring Clamp	75 pound models
25	B12327101	Cylinder and Shaft Assembly	55 pound models; Models through 1/30/11
	B12543201	Basket Kit	55 pound models; Models through 1/30/11; Includes B12380901 Basket and 3884P Bearing and Seal Kit
	B12380901	Basket	55 pound models; Models starting 1/31/11; 3 mm
	B12381001	Basket	55 pound models; Models starting 1/31/11; 9 mm
	B12327301	Drum	75 pound models; Models starting Serial No. 10040300103
	B12537901	Basket and Pulley Kit	Models through Serial No. 10040300102; Includes B12327301 Basket, 226/00150/00 Basket Pulley, 206/00056/00 Screw, 226/00152/00 Motor Pulley, 226/00151/00 Belt and 9001445 Key
26	9001254	Nut	
27	9001214	Washer	
28	206/00032/00	Bolt	
29	9001264	Nut	
30	9001305	Bolt	

# Shell, Basket and Front Panel - Design 7 Models

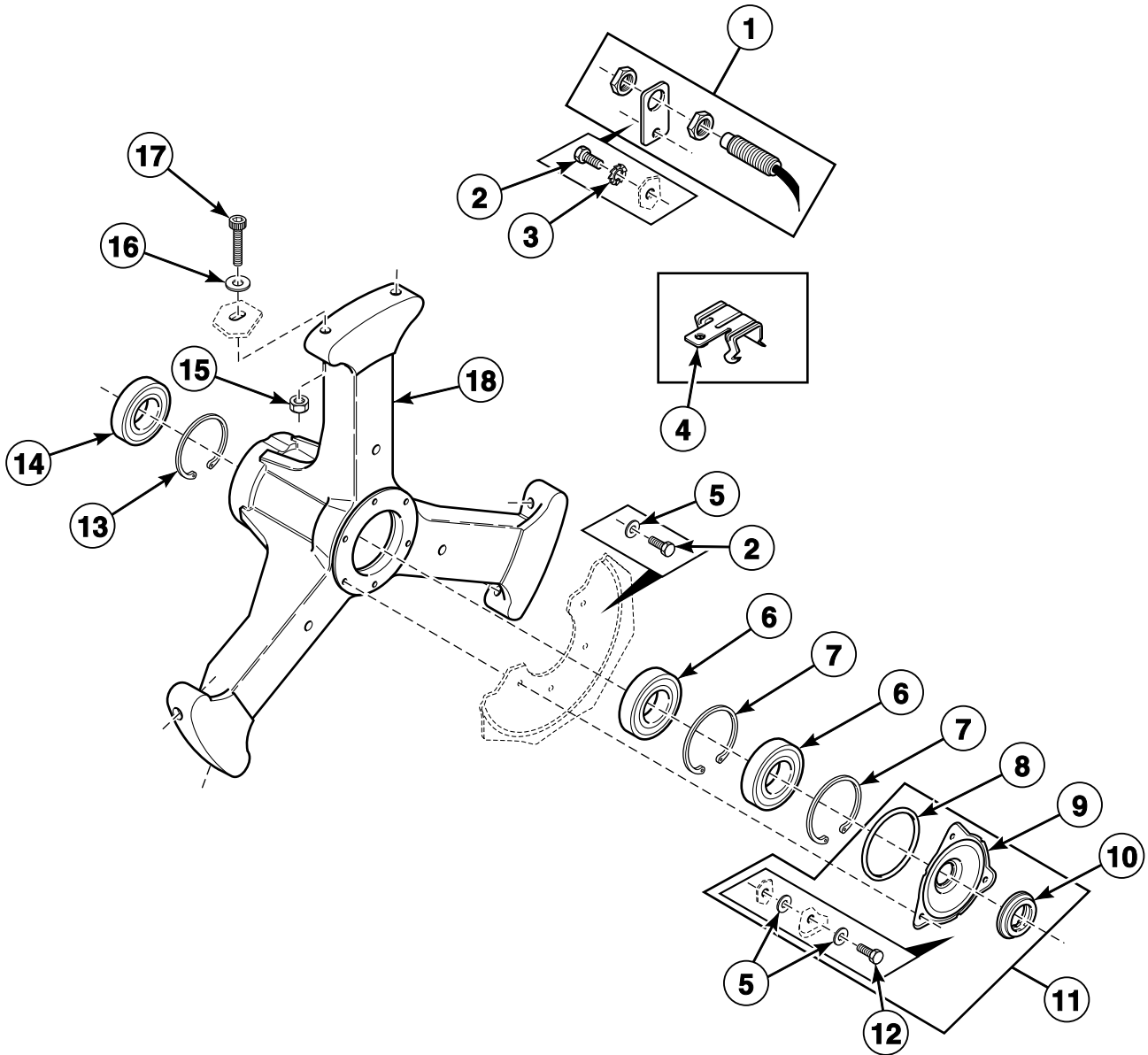


CFD213P\_9001005

## Shell, Basket and Front Panel - Design 7 Models

REF	PART NO.	DESCRIPTION	COMMENTS
1	9001464	Tub Front Panel Clip	
2	9001266	Nut	
3	9001208	Washer	
4	115/00151/00	Spacer	
5	9001607	Gasket	
6	9001306	Bolt	
7	9001214	Washer	55 pound models
	9001233	Washer	75 pound models
8	9001657	Screw	55 pound models
	9001675	Screw	75 pound models
9	9001741	Door Handle Decal	
10	111/05015/00	Door Front Panel	
11	9001024	Counterweight	55 pound models
	9001023	Counterweight	75 pound models
12	9001139	Tub Front	55 pound models
	9001130	Front Panel	75 pound models
13	223/00242/40	Tub Front Panel Gasket	55 pound models
	223/00242/50	Front Panel Gasket	75 pound models
14	9001262	Nut	
15	9001216	Washer	
16	9001287	Bolt	
17	115/00125/00	Tub Mount Rings Bracket	
18	115/00162/00	Tub Tightening Ring	
19	115/00161/00	Tub Front Mounting Strap	55 pound models
	115/00163/00	Tub Tightening Ring	75 pound models
20	9001313	Screw	
21	9001264	Nut	
22	119/00213/11	Tub	Models UX055PVXF7 and UX55PVXF7
	B12330201	Tub	All other 55 pound models; Standard
	B12330101	Tub	All other 55 pound models; Electric heat
	B12330301	Tub	All other 55 pound models; Electric and steam heat
	B12330601	Tub	75 pound models; Standard
	B12330501	Tub	75 pound models; Electric and steam heat
	9001124	Tub	75 pound models; Steam heat
23	9001138	Tub Mounting Strap	55 pound models
	9001132	Tub Strap	75 pound models
24	9001603	Tub Clamp Ring	55 pound models
	9001598	Tub Front Ring Clamp	75 pound models
25	B12327101	Cylinder and Shaft Assembly	55 pound models; Models through 1/30/11
	B12543201	Basket Kit	55 pound models; Models through 1/30/11; Includes B12380901 Basket and 3884P Bearing and Seal Kit
	B12380901	Basket	55 pound models; Models starting 1/31/11; 3 mm
	B12381001	Basket	55 pound models; Models starting 1/31/11; 9 mm
	B12327301	Drum	75 pound models; Models starting Serial No. 10040300103
	B12537901	Basket and Pulley Kit	Models through Serial No. 10040300102; Includes B12327301 Basket, 226/00150/00 Basket Pulley, 206/00056/00 Screw, 226/00152/00 Motor Pulley, 226/00151/00 Belt and 9001445 Key
26	9001254	Nut	
27	9001214	Washer	
28	206/00032/00	Bolt	
29	9001264	Nut	
30	9001305	Bolt	

# Bearing Assembly - 55 Pound Models Through 1/30/11



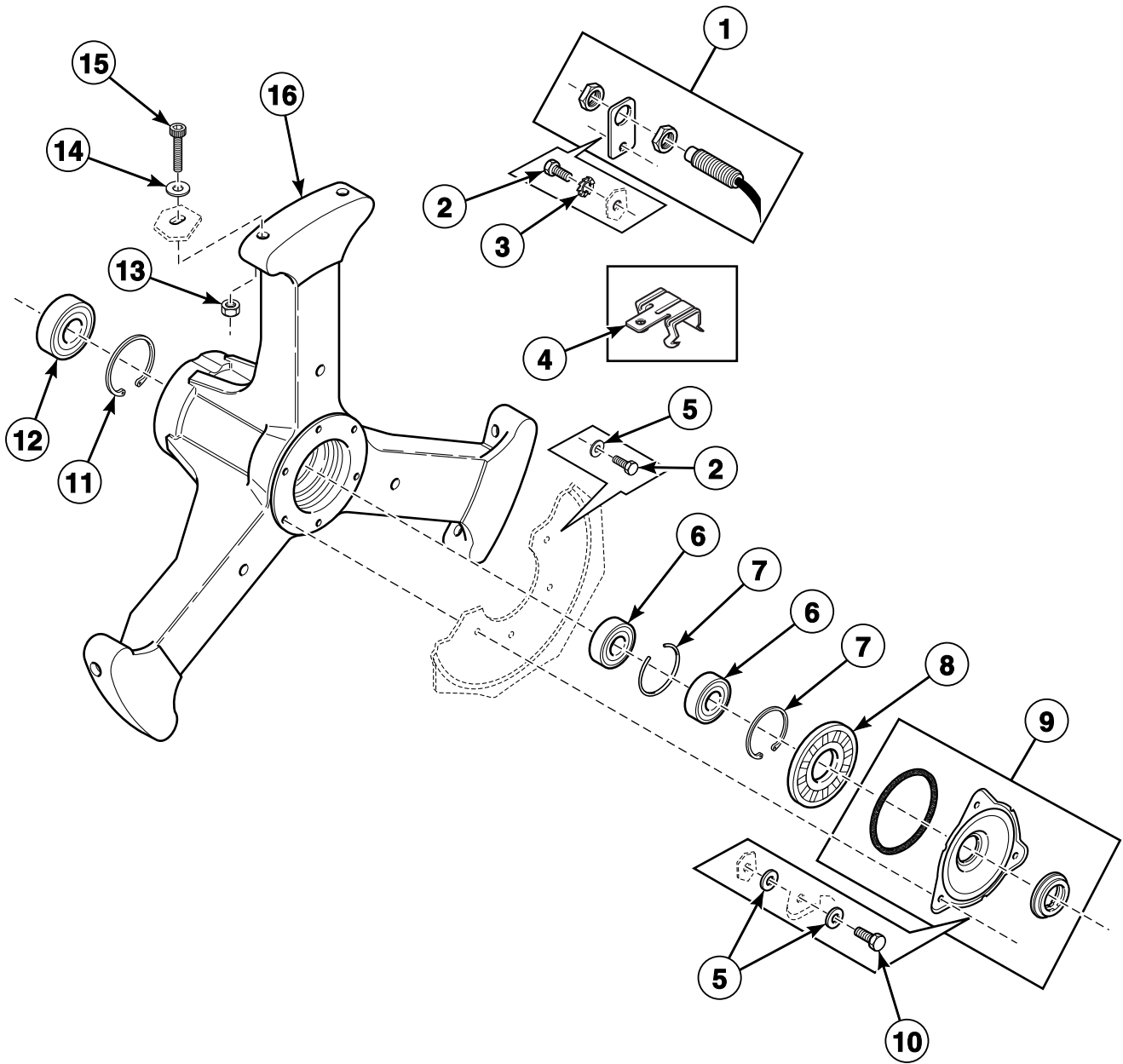
CFD30P\_9001005



## Bearing Assembly - 55 Pound Models Through 1/30/11

REF	PART NO.	DESCRIPTION	COMMENTS
	891P3	Bearing Replacement Kit	Includes items 5, 6, 11, 12, 14, 9001483 Counter Ring and 9001548 Tub Front Gasket
	385P4	Bearing Replacement Tool Kit	
1	210/00074/00	Speed Detector	
2	9001274	Bolt	
3	9001241	Washer	
4	9001559	Caddy Bracket	4H58-4
	9001560	Caddy Bracket	4H912
5	9001225	Washer	
6	9001438	Ball Bearing	
7	9001440	Retainer Ring	
8	9001460	O-Ring	
9	9001116	Seal Plate	
10	9001482	Shaft Seal	
11	9001117	Seal Holder Assembly	
12	9001272	Bolt	
13	9001452	Retainer Ring	
14	212/00024/01	Ball Bearing	
15	9001266	Nut	
16	9001208	Washer	
17	9001697	Screw	
18	139/10006/00	Bearing Housing Assembly	Includes items 6-7 and 13-14

# Bearing Assembly - 55 Pound Models Starting 1/31/11

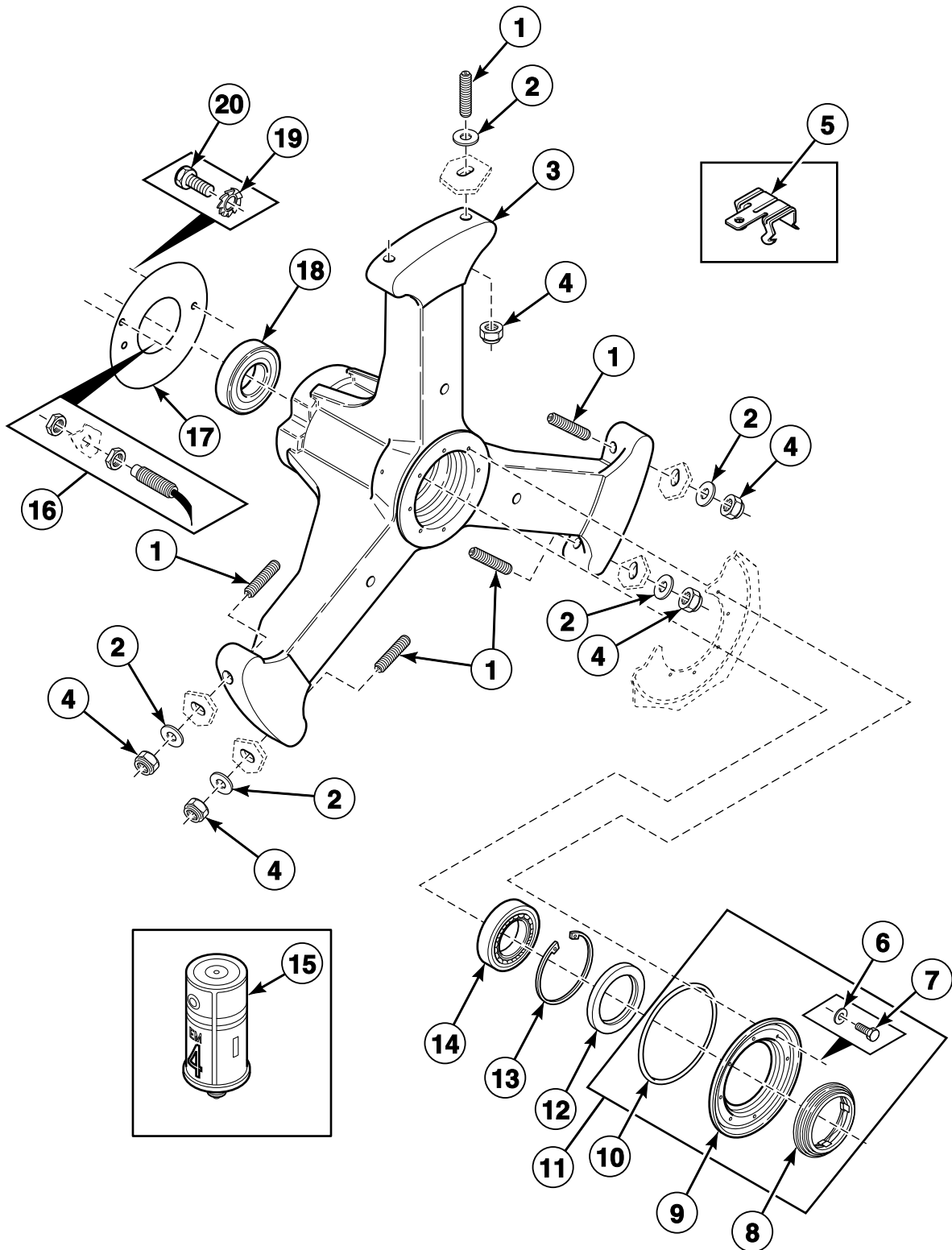


CFD546P\_9001005

## Bearing Assembly - 55 Pound Models Starting 1/31/11

REF	PART NO.	DESCRIPTION	COMMENTS
	3884P	Bearing and Seal Kit	Includes items 5, 6, 8-10, 12, 9001483 Counter Ring and 223/00242/40 Tub Front Panel Gasket
	381P3	Bearing Replacement Tool Kit	
1	210/00074/00	Speed Detector	
2	9001274	Bolt	
3	9001241	Washer	
4	9001559	Caddy Bracket	4H58-4
	9001560	Caddy Bracket	4H912
5	9001225	Washer	
6	9001438	Ball Bearing	
7	9001440	Retainer Ring	
8	B12332301	Lip Seal	
9	B12333701	Seal Plate Assembly	
10	9001272	Bolt	
11	9001452	Retainer Ring	
12	F100134	Bearing	
13	9001266	Nut	
14	9001208	Washer	
15	9001697	Screw	
16	139/10006/00	Bearing Housing Assembly	Includes items 6, 7, 11 and 12

# Bearing Assembly - 75 Pound Models

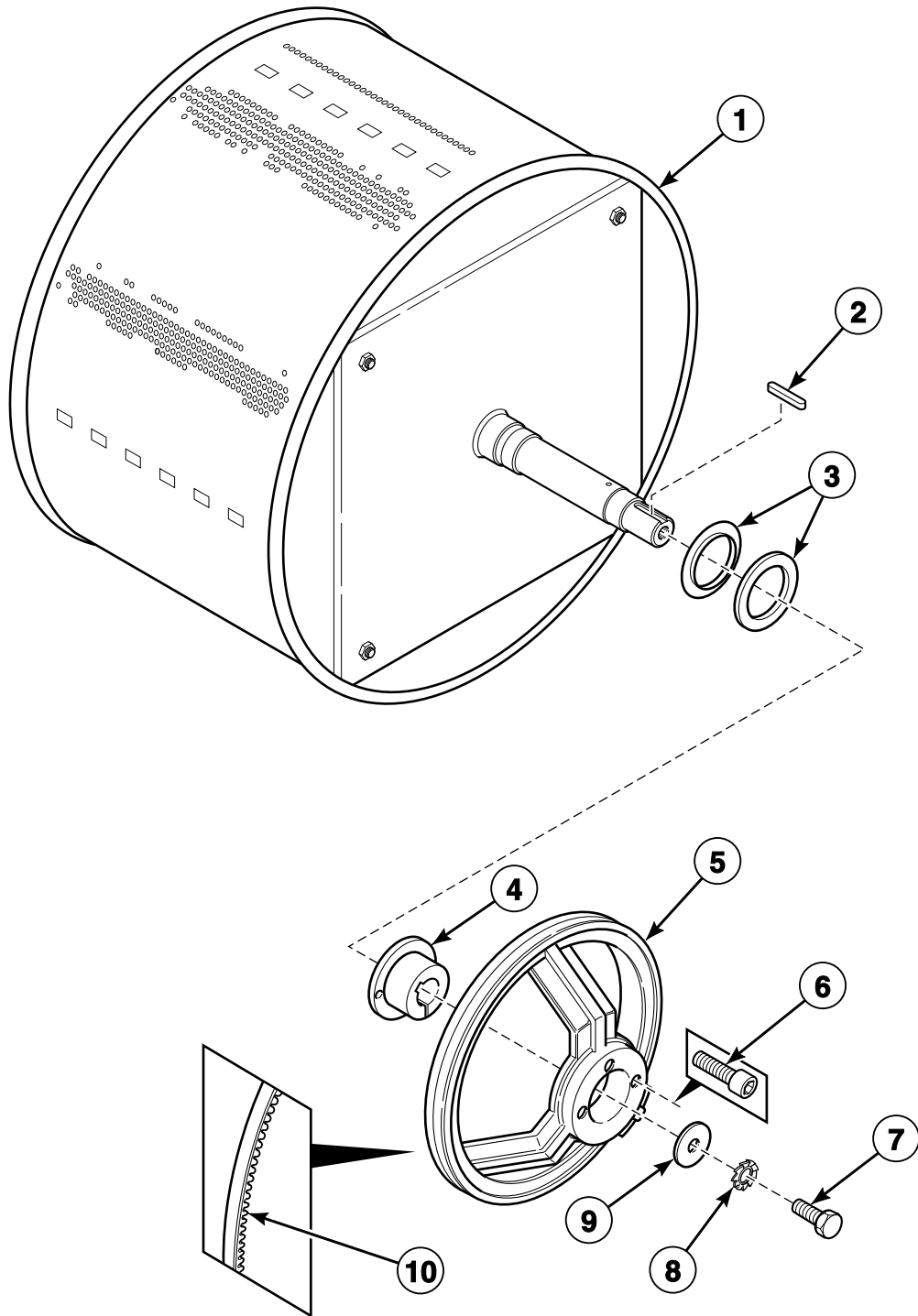


CFD45P\_9001005

## Bearing Assembly - 75 Pound Models

REF	PART NO.	DESCRIPTION	COMMENTS
	892P3	Bearing Replacement Kit	Includes 9001134 Shaft Seal, 9001548 Tub Front Gasket, 9001601 Counterring and items 6, 7, 11, 12, 14, 15 and 18
	385P4	Bearing Replacement Tool Kit	
1	9001697	Screw	
2	9001208	Washer	
3	9001451	Bearing Housing Assembly	Includes items 14 and 18
4	9001266	Nut	
5	9001559	Caddy Bracket	4H58-4
	9001560	Caddy Bracket	4H912
6	201/00202/00	Washer	
7	9001274	Bolt	
8	9001744	Seal Holder Assembly	
9	9001133	Seal Plate	
10	9001599	O-Ring	
11	9001744	Seal Holder Assembly	Includes items 6-10
12	9001441	Grease Ring	
13	9001440	Retainer Ring	
14	9001439	Roller Bearing	
15	212/00002/00	Lubricator	FAG manufactured bearings
16	210/00075/00	Speed Detector	
17	9001097	Bearing Housing Cover	
18	9001438	Ball Bearing	
19	9001240	Washer	
20	9001288	Bolt	

# Basket, Pulley and Belt - 55 Pound Models

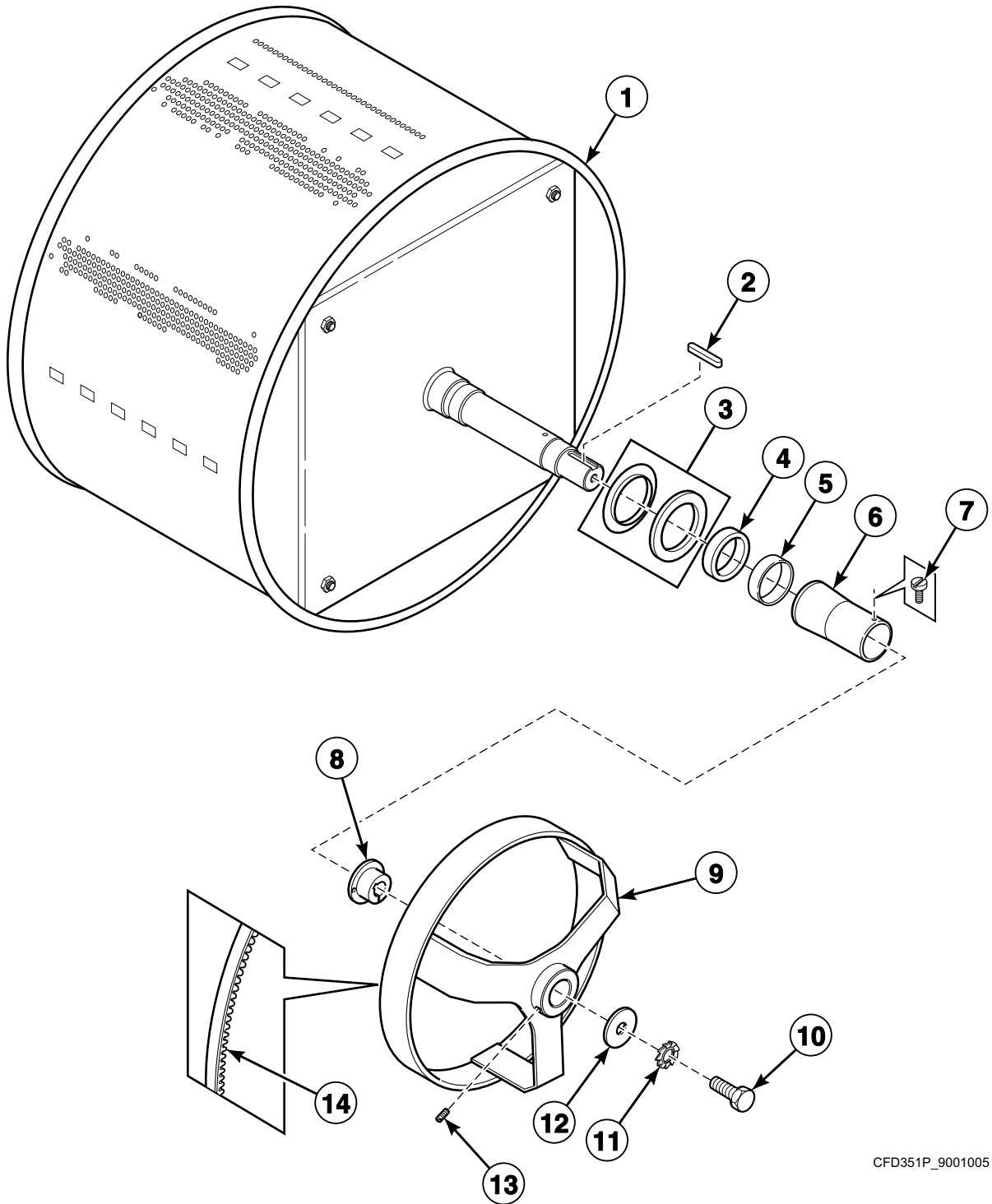


CFD37P\_9001005

## Basket, Pulley and Belt - 55 Pound Models

REF	PART NO.	DESCRIPTION	COMMENTS
1	B12327101	Cylinder and Shaft Assembly	Models through 1/30/11
	B12543201	Basket Kit	Models through 1/30/11; Includes B12380901 Basket and 3884P Bearing and Seal Kit
	B12380901	Basket	Models starting 1/31/11; 3 mm
	B12381001	Basket	Models starting 1/31/11; 9 mm
2	9001445	Key	
3	9001483	Counter Ring	
4	239/00013/00	Pulley	
5	967P3	Pulleys and Belt Kit	Models through Serial No. 08010230051; Includes 185/00086/00 Pulley, 226/00148/00 Pulley and 226/00149/00P Belt; Converts V-belt to flat belt configuration
	226/00148/00	Pulley	Used with serpentine/poly-V belt
6	9001901	Bolt	2 required
7	9001284	Bolt	
8	9001238	Washer	
9	9001217	Washer	
10	9001569	Belt	Models through Serial No. 08010230051; V-belt; 2 required
	226/00149/00	Belt	Models starting Serial No. 08010230052; Serpentine/poly-V; 1 required

# Basket, Pulley and Belt - 75 Pound Models



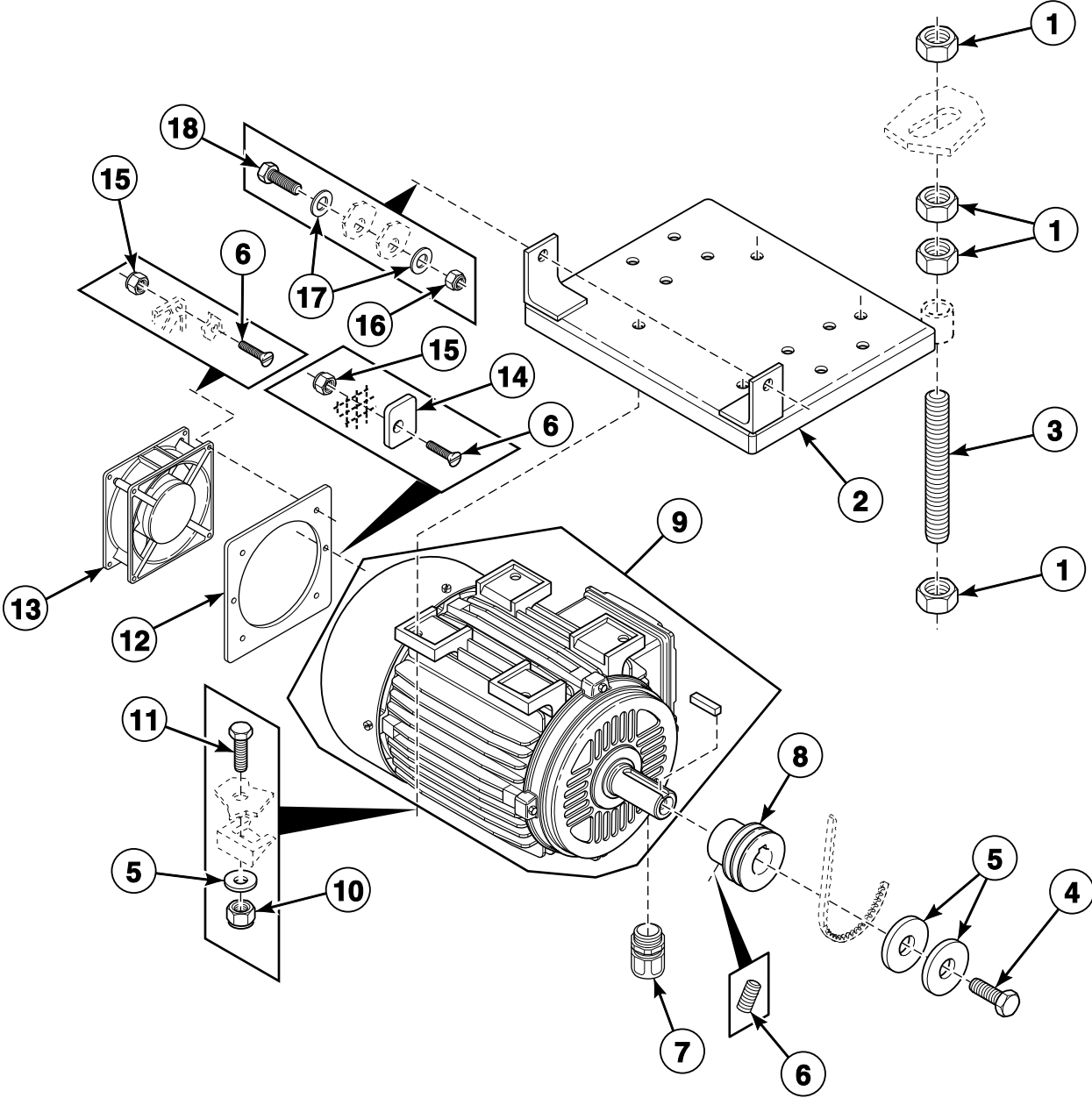
CFD351P\_9001005



## Basket, Pulley and Belt - 75 Pound Models

REF	PART NO.	DESCRIPTION	COMMENTS
1	B12537901	Basket and Pulley Kit	Models through Serial No. 10040300102; Includes B12327301 Basket, 226/00150/00 Basket Pulley, 206/00056/00 Screw, 226/00152/00 Motor Pulley, 226/00151/00 Belt and 9001445 Key
	B12327301	Drum	Models starting Serial No. 10040300103
2	9001445	Key	Models starting Serial No. 10040300103
3	9001601	Counter Ring	
4	9001134	Shaft Seal	
5	9001439	Roller Bearing	
6	9001602	Bearing Spacer	
7	9001335	Screw	
8	212/00009/00	Pulley	Models through 12/31/07
	239/00013/00	Pulley	Models starting 1/1/08
9	9001629	Pulley	Models through Serial No. 10040300102
	226/00150/00	Pulley	Models starting Serial No. 10040300103
10	9001284	Bolt	
11	9001238	Washer	
12	9001217	Washer	
13	206/00056/00	Screw	Models starting Serial No. 10040300103
14	9001575	V-Belt	3 required; Models through Serial No. 10040300102
	226/00151/00	Belt	1 required; Models starting Serial No. 10040300103

# Motor - 55 Pound Models

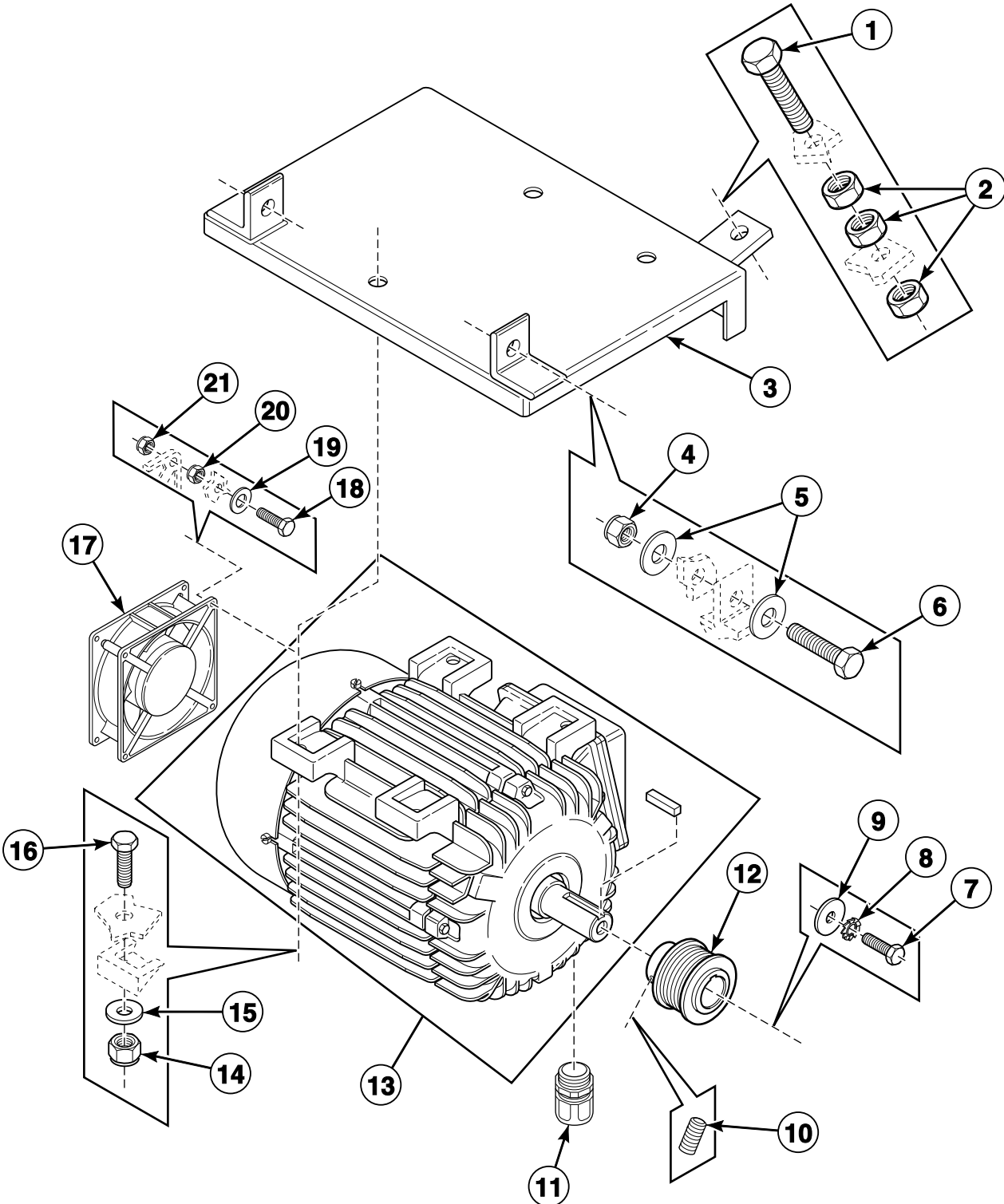


CFD31P\_9001005

## Motor - 55 Pound Models

REF	PART NO.	DESCRIPTION	COMMENTS
1	9001257	Nut	
2	9001030	Motor Plate	
3	9001020	Belt Adjusting Rod	
4	9001286	Bolt	
5	9001211	Washer	
6	9001294	Screw	
7	9001432	Cordlock	
8	9001570	Pulley	Models through Serial No. 08010230051
	185/00086/00	Pulley	Models starting Serial No. 08010230052
9	B12510901	Motor	
10	9001264	Nut	
11	9001283	Bolt	
12	9001055	Intermediate Fan Motor Plate	
13	9001375	Cooling Fan	
14	9001036	Bearing Retainer Ring	
15	9001268	Nut	
16	9001266	Nut	
17	9001209	Washer	
18	9001307	Bolt	

# Motor - 75 Pound Models



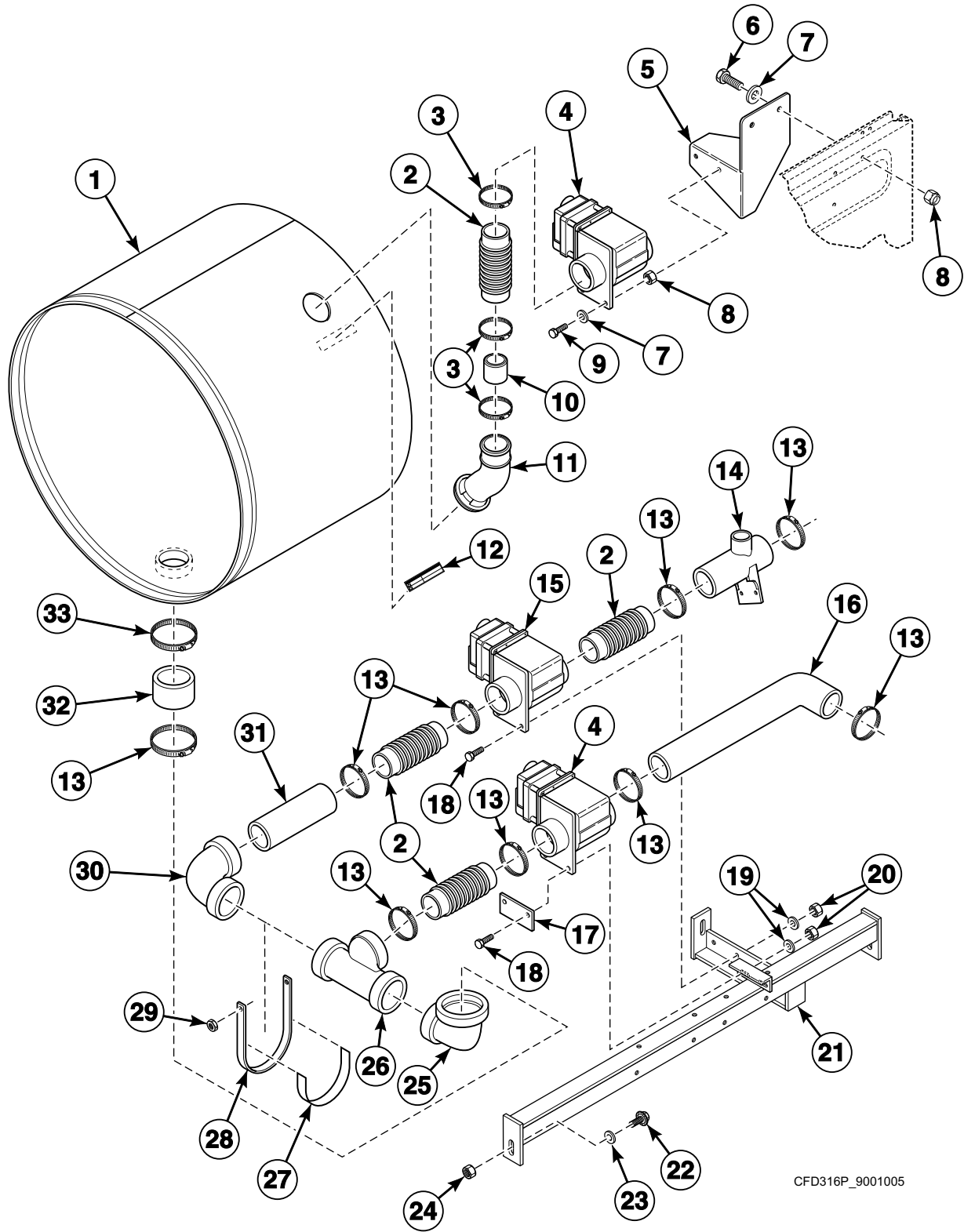
CFD352P\_9001005

## Motor - 75 Pound Models

REF	PART NO.	DESCRIPTION	COMMENTS
1	9001297	Bolt	
2	9001255	Nut	
3	9001029	Motor Plate	
4	9001266	Nut	
5	9001208	Washer	
6	9001307	Bolt	
7	9001286	Bolt	
8	9001239	Washer	
9	9001211	Washer	
10	9001302	Screw	Models through Serial No. 10040300102
	206/00056/00	Screw	Models starting Serial No. 10040300103
11	9001432	Cordlock	
12	9001574	Pulley	Models through Serial No. 10040300102
	226/00152/00	Pulley	Models starting Serial No. 10040300103
13	9001576P	Motor	
14	9001264	Nut	
15	9001211	Washer	
16	9001283	Bolt	
17	9001375	Cooling Fan	
18	9001329	Screw	
19	9001243	Washer	
20	9001252	Nut	
21	9001267	Nut	

# Drain Assembly

Models UX055PVXF7, UX55PVXF6 and UX55PVXF7



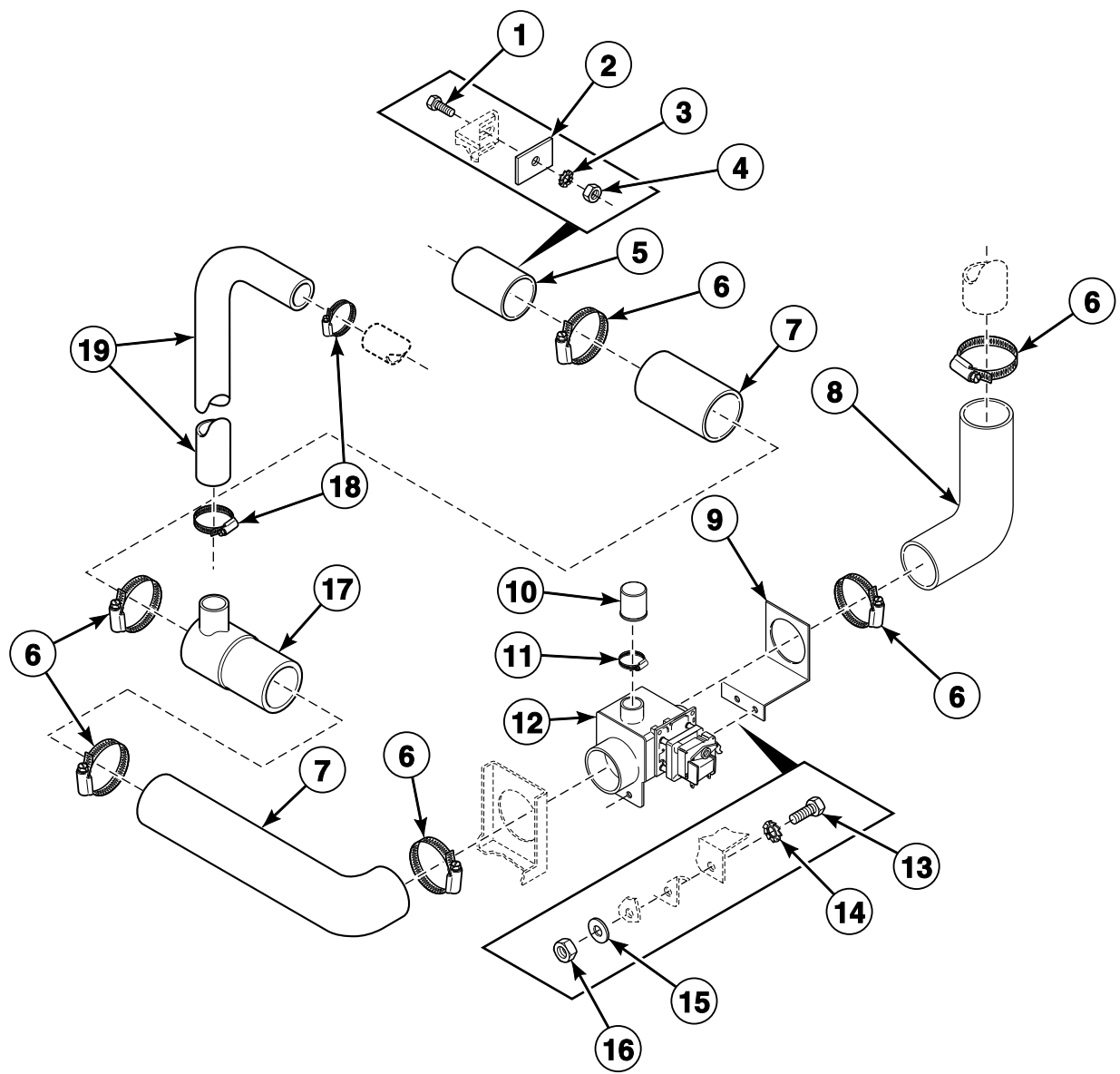
CFD316P\_9001005

# Drain Assembly

REF	PART NO.	DESCRIPTION	COMMENTS
	210/00905/00	Drain Valve Wiring Harness	
1	119/00213/11	Tub	
2	F200171	Supply Hose	
3	9001494	Hose Clamp	
4	F0380632-00	Drain Valve	
5	111/10312/00	Drain Valve Mounting Bracket	
6	9001277	Bolt	
7	202/00101/00	Washer	
8	9001254	Nut	
9	9001275	Bolt	
10	B12341901	Coupling	
11	F0200236-01	Supply Dispenser Hose	
12	44127701	Warning Label	
13	F200213	Hose Clamp	
14	F0380318-00	Drain Tee	
15	803292	Gravity Drain Valve	
16	F0150470-01	Hose	
17	111/10318/00	Drain Valve Bracket Plate	
18	F430939	Screw	
19	F431147	Washer	
20	F431024	Nut	
21	F0638013-00	Drain Valve Bracket	
22	F430927	Screw	
23	M400080	Washer	
24	F430218	Nut	
25	223/00363/00	Elbow	
26	223/00369/00	Tee	
27	246/00149/00	Gasket	1.2 meters used
28	111/10300/00	Drain Support Bracket	
29	9001266	Nut	
30	223/00368/00	Drain Elbow	
31	223/00370/00	Pipe	
32	9001526	Drain Valve to Drain Pipe Hose	
33	F200201	Hose Clamp	

# Single Drain Assembly

All Models Except UX055PVXF7, UX55PVXF6 and UX55PVXF7



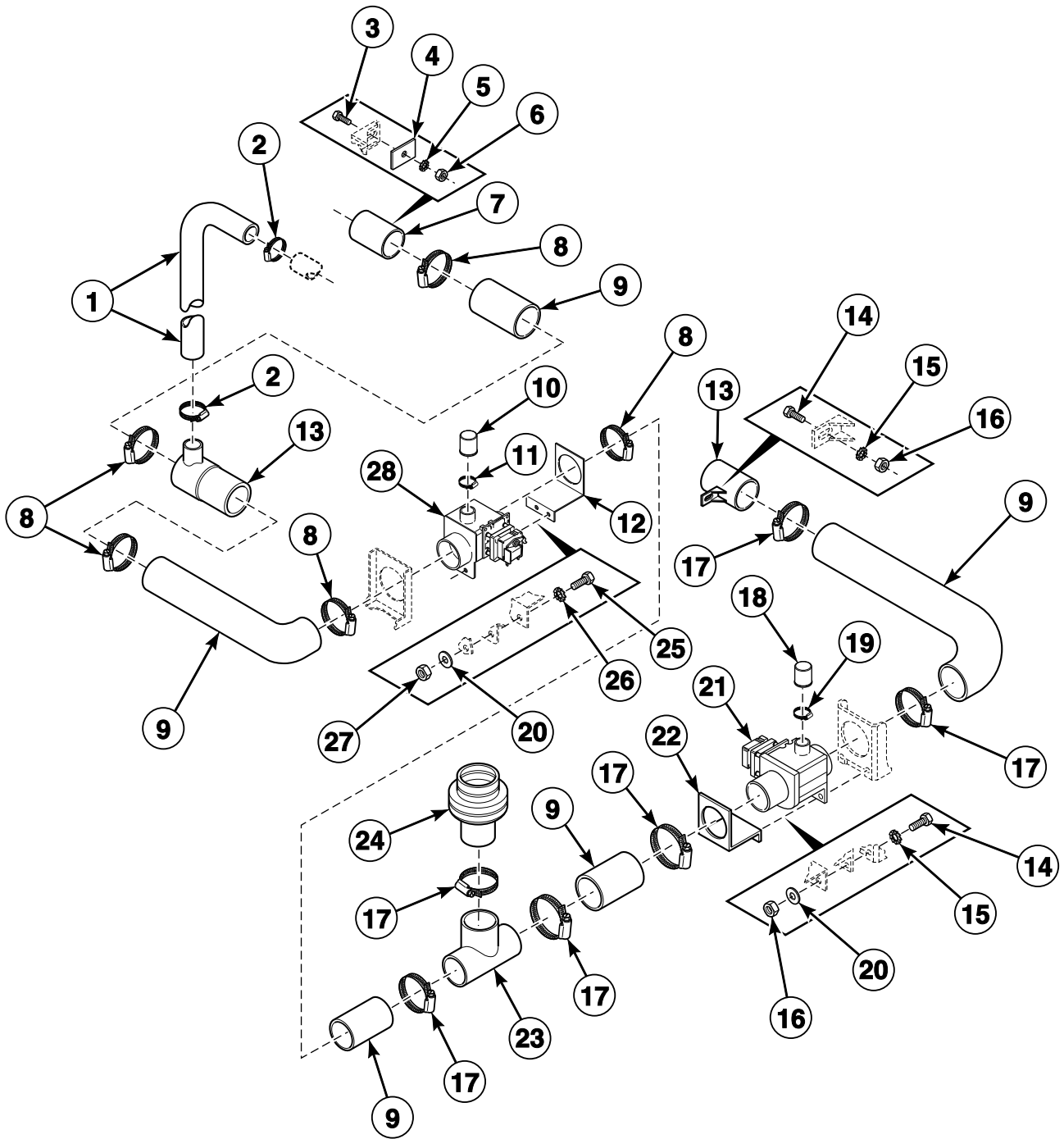
CFD27P\_9001005



# Single Drain Assembly

REF	PART NO.	DESCRIPTION	COMMENTS
	900/00261/UL00	Drain Valve Harness	
1	9001273	Bolt	
2	9001037	Outlet Pipe Plate Assembly	
3	9001241	Washer	
4	9001260	Nut	
5	9001518	Drain Pipe	
6	9001502	Hose Clamp	
7	9001526	Drain Valve to Drain Pipe Hose	
8	9001525	Drain Tub to Drain Valve Hose	
9	9001099	Drain Valve Plate Assembly	
10	9001503	Drain Valve Overflow Plug	
11	9001493	Hose Clamp	
12	9001355	Drain Valve	
13	9001287	Bolt	
14	9001240	Washer	
15	9001227	Washer	
16	9001249	Nut	
17	9001518	Drain Pipe	
18	9001494	Hose Clamp	
19	223/00131/00	Overflow Hose	

# Dual Drain Assembly

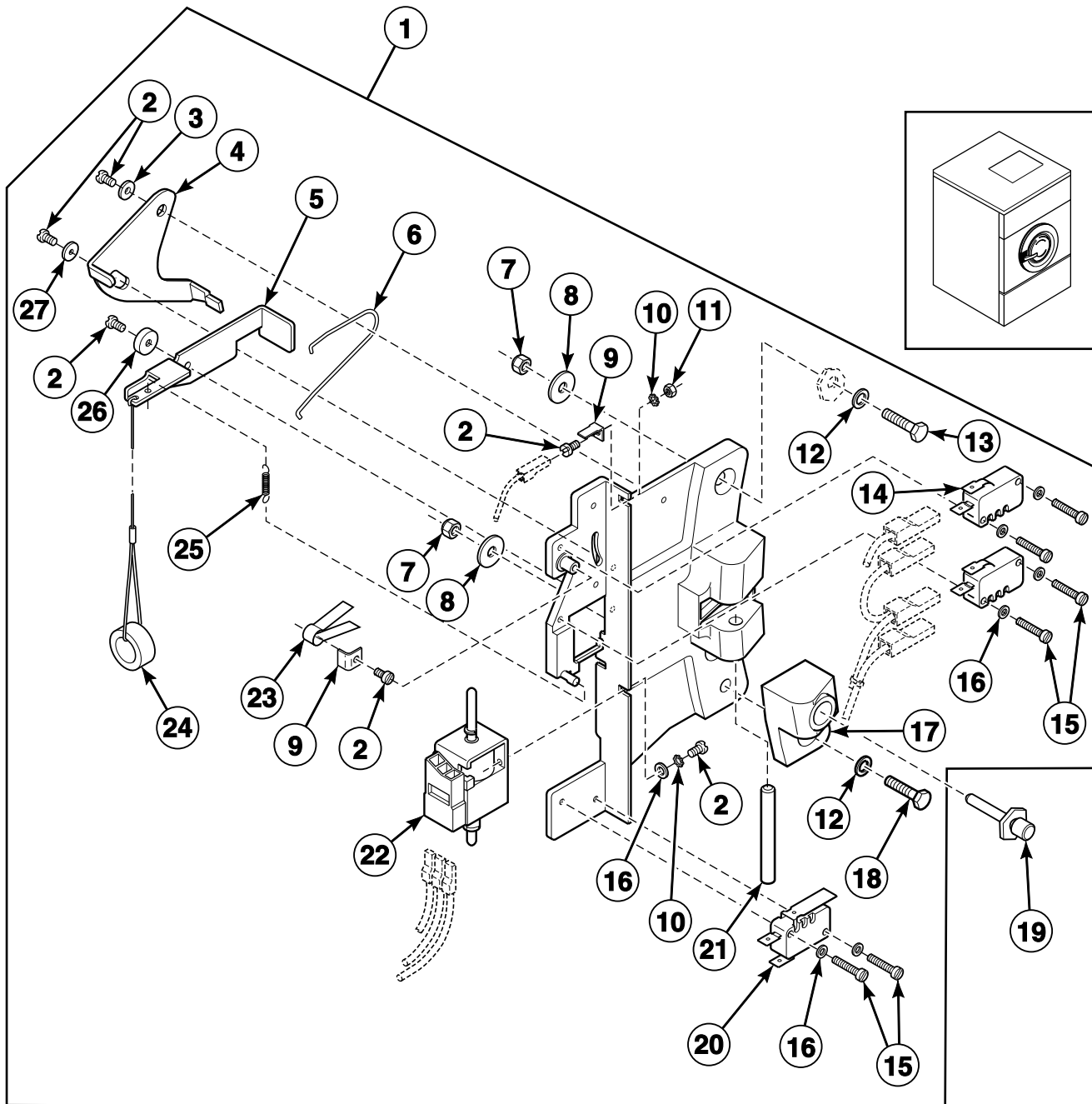


CFD113P\_9001005

## Dual Drain Assembly

REF	PART NO.	DESCRIPTION	COMMENTS
	900/00261/UL00	Drain Valve Harness	
	831P3	Drain Kit	Includes items 9 and 13-24, F200104100 2-Drain Harness and installation instructions
1	223/00131/00	Overflow Hose	
2	9001494	Hose Clamp	
3	9001273	Bolt	
4	9001037	Outlet Pipe Plate Assembly	
5	9001241	Washer	
6	9001260	Nut	
7	9001518	Drain Pipe	
8	9001502	Hose Clamp	
9	9001526	Drain Valve to Drain Pipe Hose	
10	9001503	Drain Valve Overflow Plug	
11	9001493	Hose Clamp	
12	9001099	Drain Valve Plate Assembly	
13	9001518	Drain Pipe	
14	9001287	Bolt	
15	9001240	Washer	
16	9001260	Nut	
17	9001502	Hose Clamp	
18	9001503	Drain Valve Overflow Plug	
19	9001493	Hose Clamp	
20	9001227	Washer	
21	9001361	Drain Valve	
22	9001099	Drain Valve Plate Assembly	
23	253/00006/00	T-Piece	
24	223/00170/00	Exhaust Valve Hose	
25	9001287	Bolt	
26	9001240	Washer	
27	9001249	Nut	
28	9001355	Drain Valve	

# Door Lock

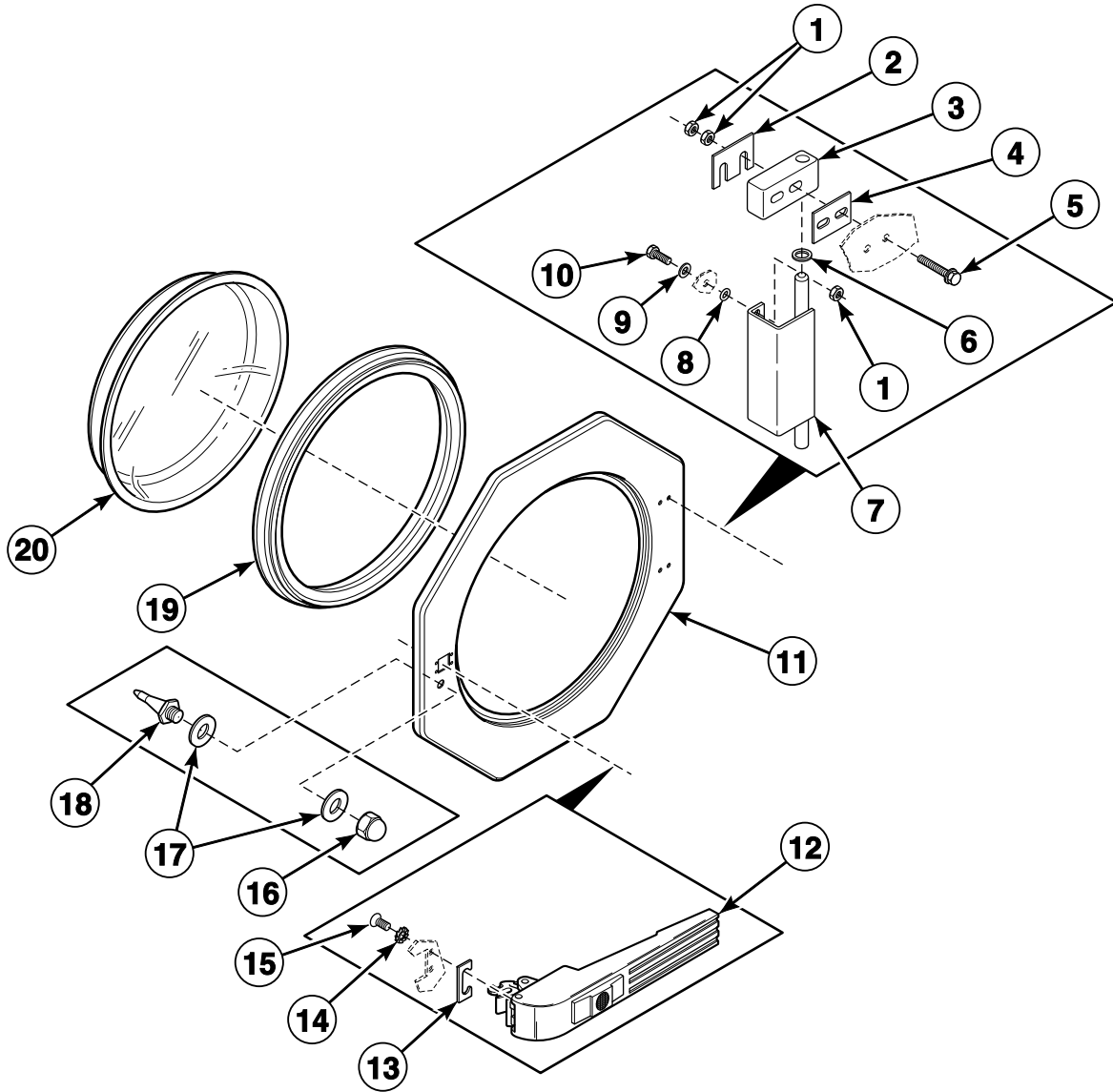


CFD543P\_9001005

# Door Lock

REF	PART NO.	DESCRIPTION	COMMENTS
1	B12517701	Door Lock Assembly	
2	207/00135/00	Screw	
3	9001221	Washer	
4	217/00052/05	Switch Lever	
5	9001478	Interlock Lever	
6	9001553	Lever Spring	
7	9001254	Nut	
8	9001213	Washer	
9	9001419	Ground Terminal	
10	9001244	Washer	
11	204/00008/00	Nut	
12	9001230	Washer	
13	9001273	Bolt	
14	9001371	Door Lock Microswitch	
15	9001324	Screw	
16	9001222	Washer	
17	9001998	Door Lock Pin Bracket	
18	9001949	Bolt	
19	9001997	Door Lock Pin and Pivot Block Kit	
20	9001372	Light Microswitch	
21	9001468	Lock Shaft	
22	209/00703/50	Door Solenoid	
23	9001558	Door Lock Spring	
24	9001950	Door Release Wire	
25	9001554	Interlock Coil Spring	
26	9001477	Door Lock Spacer	
27	202/00124/00	Washer	

# Door - Design 6 Models

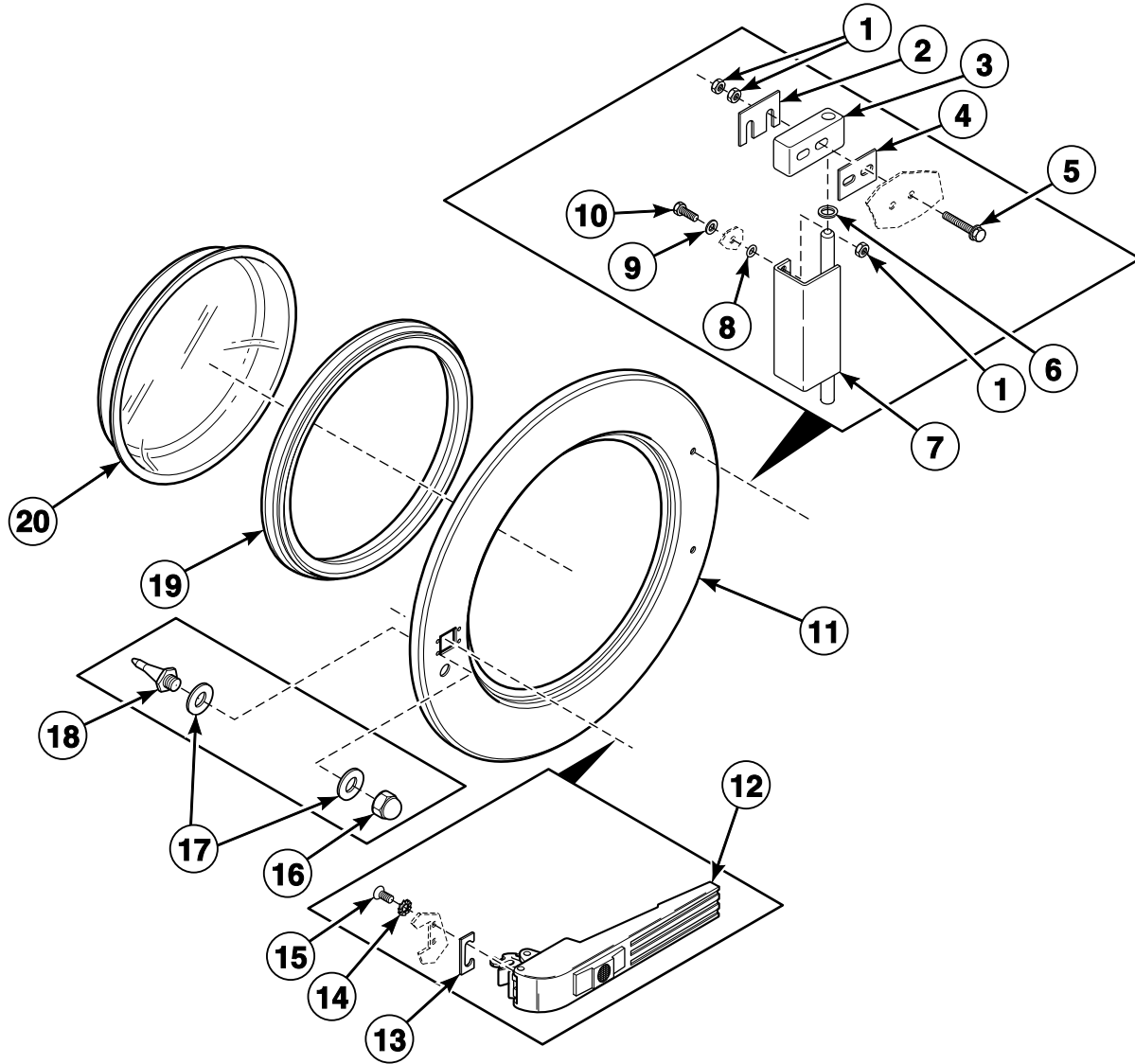


CFD34P\_9001005

## Door - Design 6 Models

REF	PART NO.	DESCRIPTION	COMMENTS
1	9001260	Nut	
2	9001038	Door Hinge Plate Assembly	
3	9001628	Door Hinge Block	
4	9001105	Door Hinge Spacer	1.5 mm
	9001106	Door Hinge Spacer	2 mm
5	9001341	Screw	
6	9001232	Washer	
7	9001486	Hinge	
8	9001469	O-Ring	
9	9001230	Washer	
10	9001274	Bolt	
11	9001131	Door	
12	217/00055/00	Door Handle	
13	9001467	Door Handle Stop	
14	9001245	Washer	
15	9001326	Screw	
16	9001258	Nut	
17	202/00111/00	Washer	
18	9001997	Door Lock Pin and Pivot Block Kit	Includes door lock pin
19	9001501	Door Glass Seal	
20	B12449801	Door Glass	

# Door - Design 7 Models Through 9/30/07



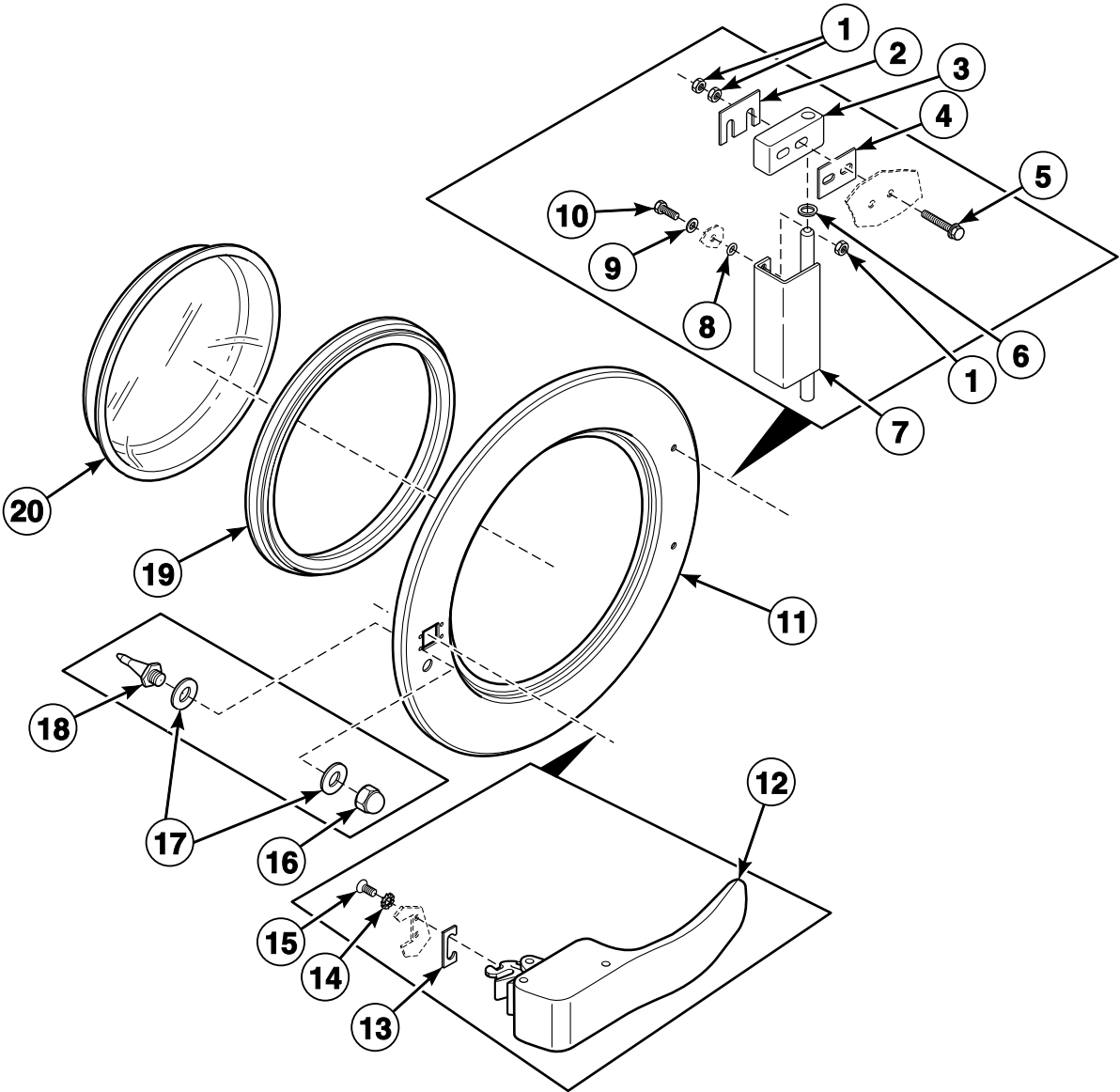
CFD207P\_9001005



## Door - Design 7 Models Through 9/30/07

REF	PART NO.	DESCRIPTION	COMMENTS
1	9001260	Nut	
2	9001038	Door Hinge Plate Assembly	
3	9001628	Door Hinge Block	
4	9001105	Door Hinge Spacer	1.5 mm
	9001106	Door Hinge Spacer	2 mm
5	9001341	Screw	
6	9001232	Washer	
7	9001486	Hinge	
8	9001469	O-Ring	
9	9001230	Washer	
10	9001274	Bolt	
11	118/00125/00	Door	
12	217/00055/00	Door Handle	
13	9001467	Door Handle Stop	
14	9001245	Washer	
15	9001326	Screw	
16	9001258	Nut	
17	202/00111/00	Washer	
18	9001997	Door Lock Pin and Pivot Block Kit	Includes door lock pin
19	9001501	Door Glass Seal	
20	B12449801	Door Glass	

# Door - Design 7 Models Starting 10/1/07



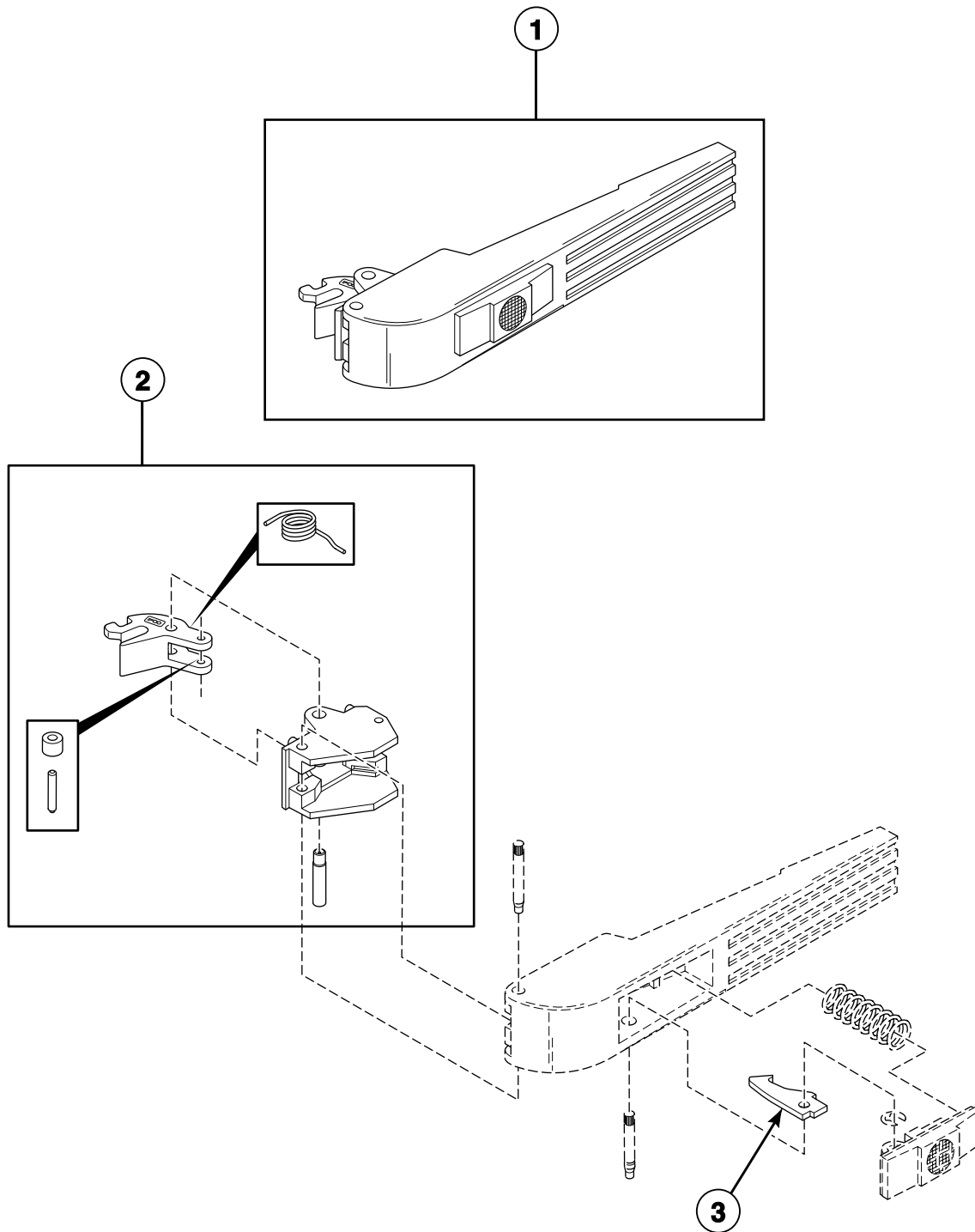
CFD263P\_9001005

## Door - Design 7 Models Starting 10/1/07

REF	PART NO.	DESCRIPTION	COMMENTS
1	9001260	Nut	
2	9001038	Door Hinge Plate Assembly	
3	9001628	Door Hinge Block	
4	9001105	Door Hinge Spacer	1.5 mm
	9001106	Door Hinge Spacer	2 mm
5	9001341	Screw	
6	9001232	Washer	
7	9001486	Hinge	
8	9001469	O-Ring	
9	9001230	Washer	
10	9001274	Bolt	
11	118/00125/00	Door	
12	217/00065/00	Door Handle	
13	9001467	Door Handle Stop	
14	9001245	Washer	
15	B12500801	Screw	
16	9001258	Nut	
17	202/00111/00	Washer	
18	9001997	Door Lock Pin and Pivot Block Kit	Includes door lock pin
19	9001501	Door Glass Seal	
20	B12449801	Door Glass	

# Door Handle

Models Through 9/30/07

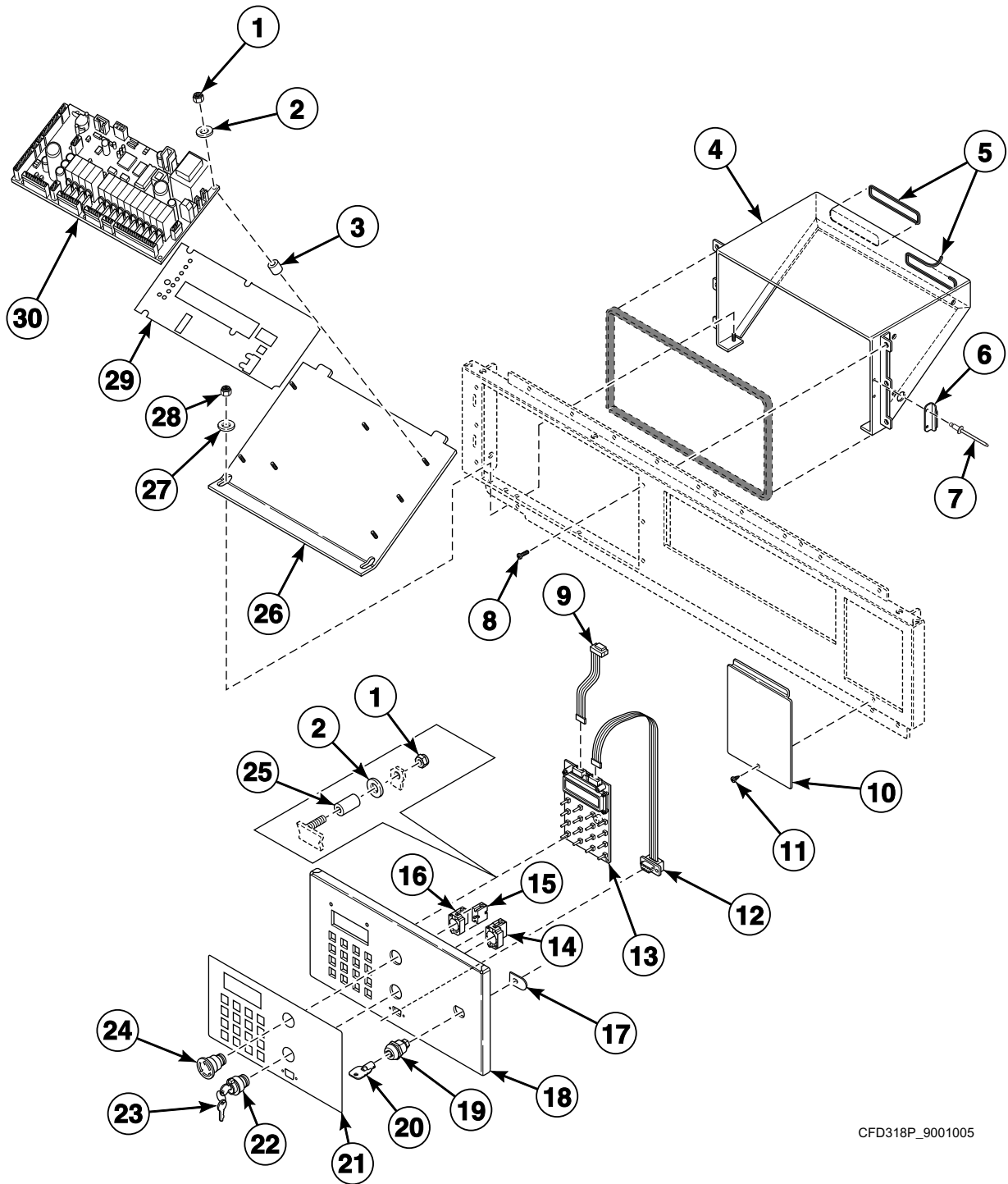


CFD10P\_9001005

# Door Handle

REF	PART NO.	DESCRIPTION	COMMENTS
1	217/00055/00	Door Handle	
2	9001474	Door Handle Latch	
3	9001473	Door Handle Catch	

# Control Panel - Models UX055PVXF7, UX55PVXF6 and UX55PVXF7



CFD318P\_9001005

## Control Panel - Models UX055PVXF7, UX55PVXF6 and UX55PVXF7

REF	PART NO.	DESCRIPTION	COMMENTS
1	9001269	Nut	
2	9001523	Washer	
3	211/00128/00	Printboard Separator	
4	F0637819-00	Control Module Wrap	
5	211/00143/00	Trim	
6	111/10310/03	Latch	
7	9001346	Rivet	
8	201415	Screw	
9	9001417	Flat Cable	
10	F0637820-00	Balance Switch Access Cover	
11	F430956	Screw	
12	B12388303	Programming Cable	
13	209/00580/03	Display	
14	9001356	Switch Base	
15	44018901	Contact Block	
16	44018701	Contact Block	
17	F606295	Lock Latch	
18	F0637813-00	Control Module Face	
19	F190802P	Lid Lock	
20	F160562	Key	
21	9001561	Overlay	
22	9001378	Programming Key Contact Switch	
23	9001756	Programming Key	
24	44018801	Pushbutton	
25	211/00140/00	Spacer	
26	F0637821-00	Control Module Bottom Assembly	
27	F431017	Nut	
28	F431123	Washer	
29	229/00255/00	Insulating Sticker	
30	9002100AR	Main Control	Army cycles
	9002100MA	Main Control	Marine cycles

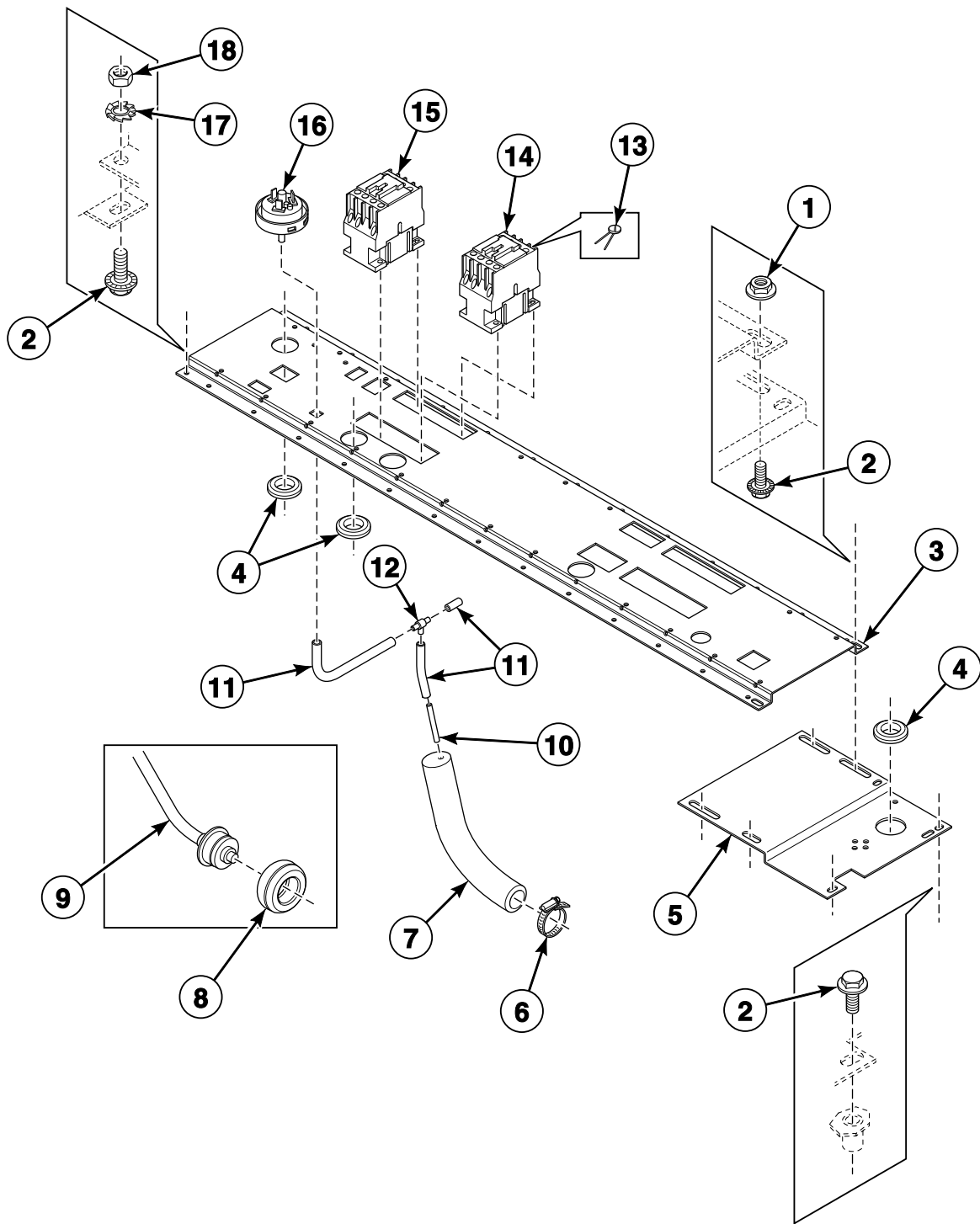




## Control Panel - All Models Except UX055PVXF7, UX55PVXF6 and UX55PVXF7

REF	PART NO.	DESCRIPTION	COMMENTS
1	9001379	Fuse	
2	9001269	Nut	
3	9001523	Washer	
4	9001425	Spacer	
5	204/00008/00	Nut	
6	9001244	Washer	
7	9001089	Control Panel	55 pound models
	9001068	Control Panel	75 pound models
8	F8435601	Overlay	UX models
	9001563	Overlay	SX models
	9001890	Logo Decal	HX models
9	44018901	Contact Block	
10	9001356	Switch Base	
11	9002072	Switch Knob	Steam and electric heat
12	44018701	Contact Block	
13	44018801	Pushbutton	
14	9001756	Programming Key	Key code 455
15	9001378	Programming Key Contact Switch	
16	9001561	Overlay	
17	9001659	Spacer	
18	209/00580/03	Display	
19	B12388303	Programming Cable	
20	9001417	Flat Cable	
21	229/00255/00	Insulating Sticker	
22	9002100	Main Control	
	210/01304/07	Soap Harness	Main control to soap board
23	229/00289/00	Circuit Board Cover	

# Control Module Through February 2006 - 55 Pound Models

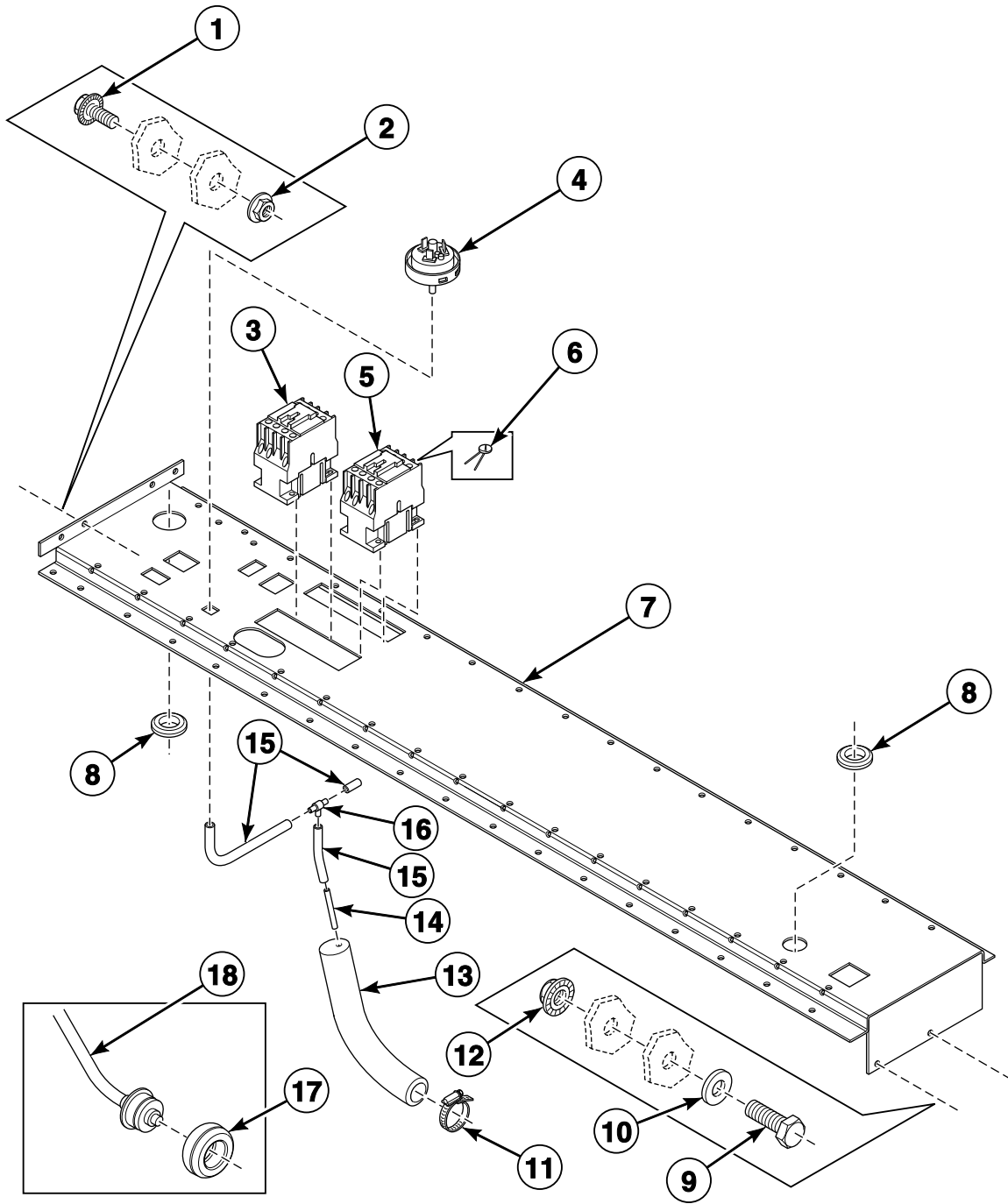


CFD75P\_9001005

## Control Module Through February 2006 - 55 Pound Models

REF	PART NO.	DESCRIPTION	COMMENTS
1	9001311	Nut	
2	9001310	Bolt	
3	9001053	Electrical Component Plate	
4	9001539	Grommet	
5	9001144	Electrical Component Extension Plate	
6	9001492	Hose Clamp	
7	9001542	Pressure Switch Elbow	
8	225/10004/00	Thermostat Seal	
9	210/01064/16	Thermostat	
10	9001496	Hose Barb	
11	223/00333/00	Pressure Hose	
12	223/00173/10	Pressure Switch Hose Tee	
13	9001746	Noise Suppressor	
14	9002066	Contactactor	Heating
15	9001352	Contactactor	
16	9001351	Pressure Switch	
17	9001241	Washer	
18	9001250	Nut	

# Control Module Through February 2006 - 75 Pound Models

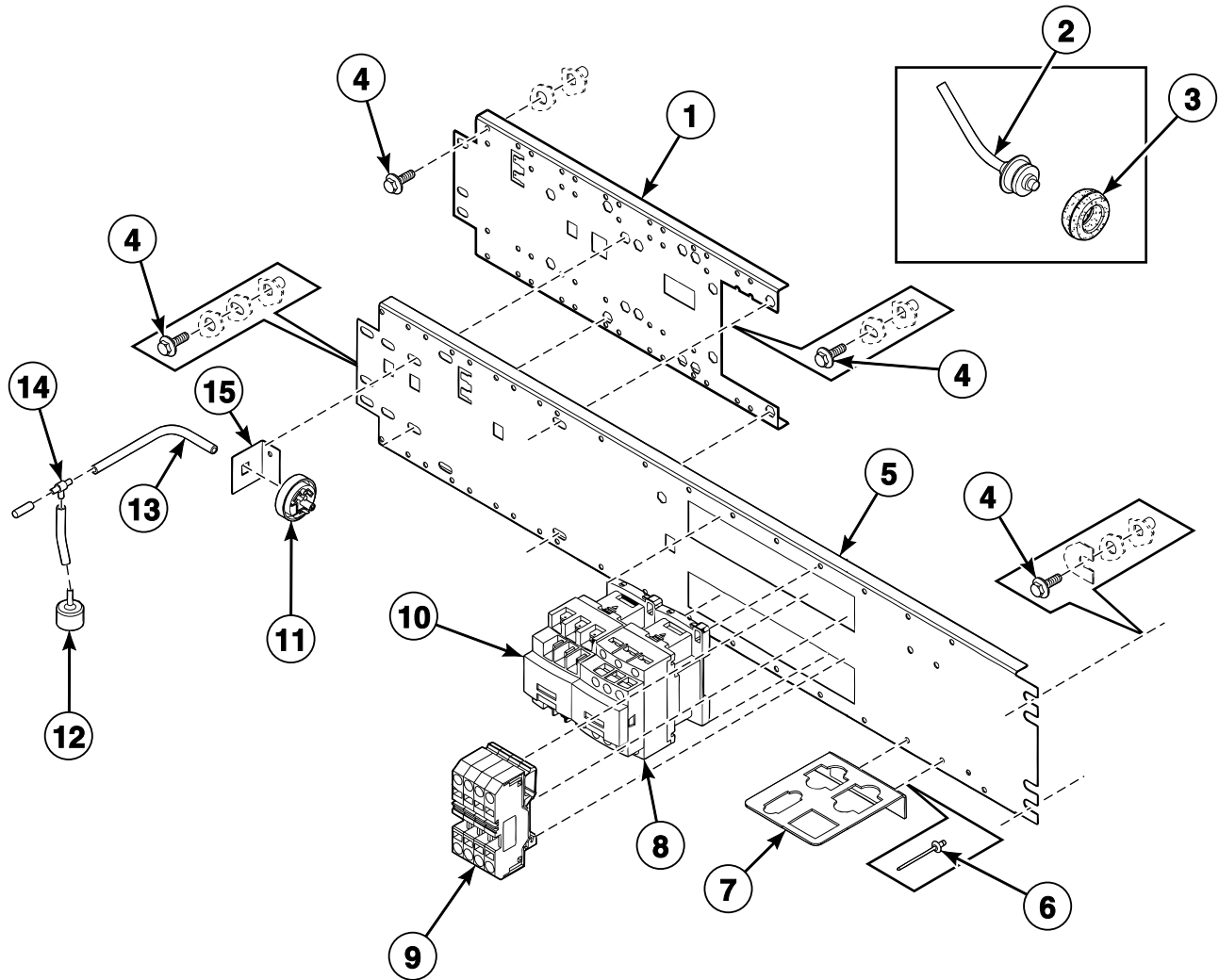


CFD77P\_9001005

## Control Module Through February 2006 - 75 Pound Models

REF	PART NO.	DESCRIPTION	COMMENTS
1	9001310	Bolt	
2	9001311	Nut	
3	9001352	Contactactor	
4	9001351	Pressure Switch	
5	9002066	Contactactor	Heating
6	9001746	Noise Suppressor	
7	9001057	Electrical Components Plate	
8	9001539	Grommet	
9	9001277	Bolt	
10	9001230	Washer	
11	9001492	Hose Clamp	
12	9001146	Electrical Components Plate	
13	9001542	Pressure Switch Elbow	
14	9001496	Hose Barb	
15	223/00333/00	Pressure Hose	
16	223/00173/10	Pressure Switch Hose Tee	
17	225/10004/00	Thermostat Seal	
18	9001669	Thermostat	

# Control Module Starting March 2006

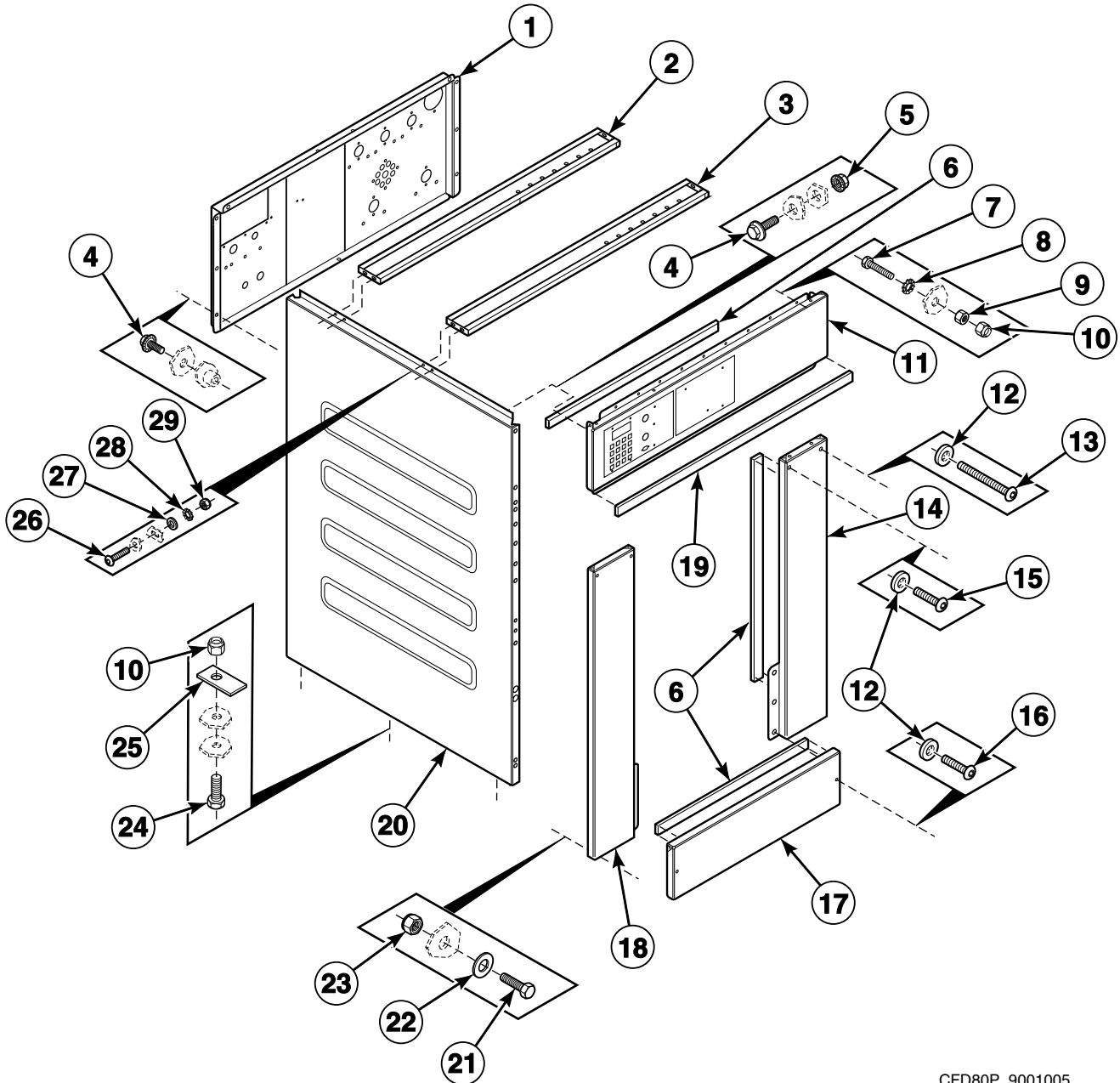


CFD198P\_9001005

## Control Module Starting March 2006

REF	PART NO.	DESCRIPTION	COMMENTS
1	9001958	Electrical Component Mounting Plate	
2	9001669	Thermostat	
3	225/10004/00	Thermostat Seal	
4	9001310	Bolt	
5	9002081	Electrical Components Plate	Includes item 7
6	9002087	Screw	
7	9001960	Support Connector	
8	9002066	Contactactor	Heating
9	9002021	Overload Contactactor	2006-1201
	9002022	Overload Contactactor	2006-1204
	9002023	Overload Contactactor	2006-1304
	9002024	Overload Contactactor	2006-1301
	9002025	Overload Contactactor	2010-1201
	9002026	Overload Contactactor	2010-1204
	9002027	Overload Contactactor	2010-1301
10	9001352	Contactactor	Heating
11	9001351	Pressure Switch	Models through 7/8/08
	209/00029/00	Water Level Switch	Models starting 7/9/08
12	9001932	Pressure Switch Cap	
13	223/00333/00	Pressure Hose	
14	223/00173/10	Pressure Switch Hose Tee	
15	9002082	Electrical Components Plate	

# Front, Left Side and Upper Back Panels - 55 Pound Models Except Models UX055PVXF7, UX55PVXF6 and UX55PVXF7



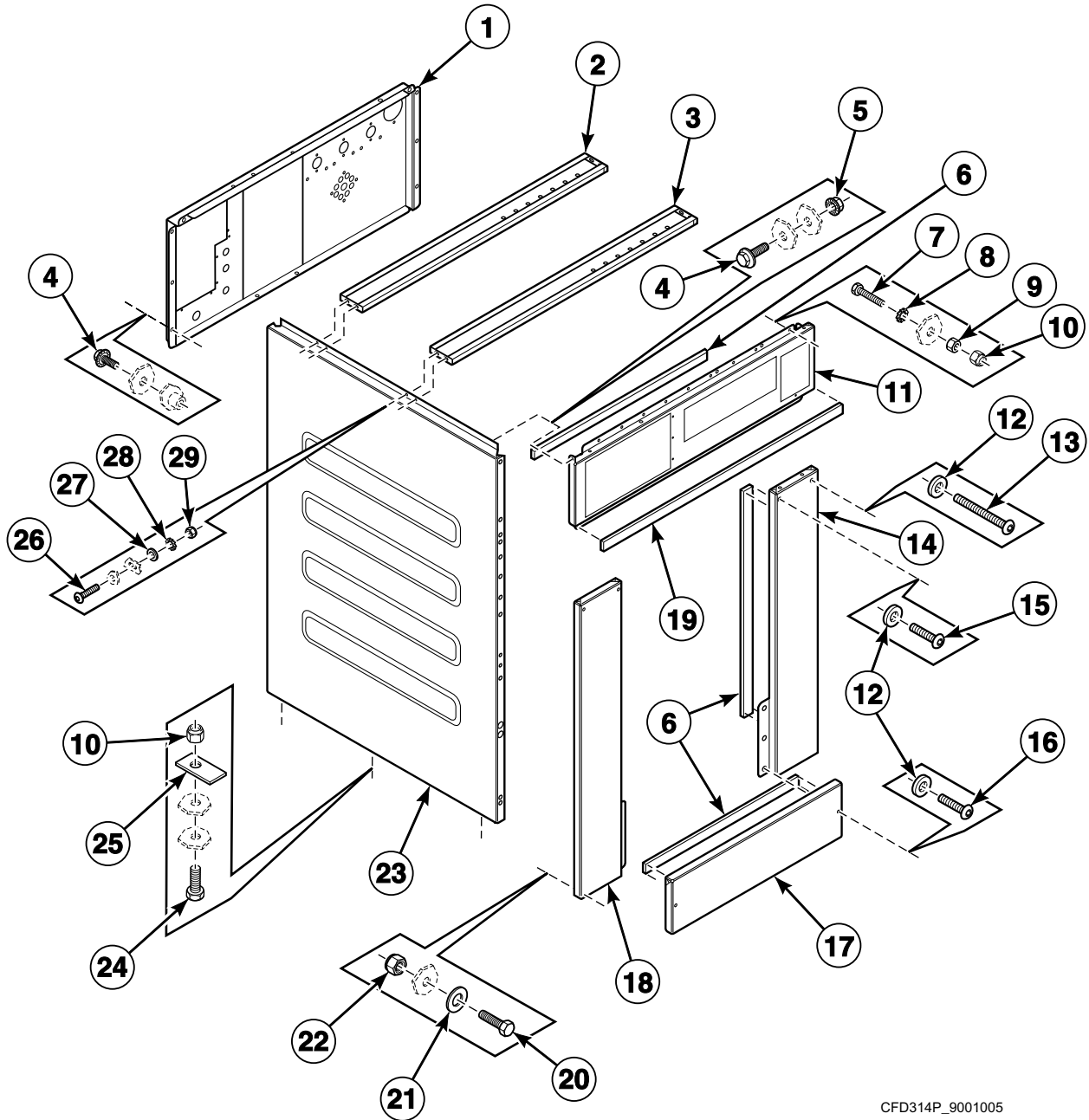
CFD80P\_9001005



## Front, Left Side and Upper Back Panels - 55 Pound Models Except Models UX055PVXF7, UX55PVXF6 and UX55PVXF7

REF	PART NO.	DESCRIPTION	COMMENTS
1	9001062	Backbridge	
2	9001076	Dispenser Rear Mounting Plate	
3	9001075	Dispenser Front Mounting Plate	
4	9001310	Bolt	
5	9001311	Nut	
6	9001608	Gasket	
7	9001273	Bolt	
8	9001241	Washer	
9	9001260	Nut	
10	9001254	Nut	
11	9001089	Control Panel	
12	9001236	Washer	
13	9001661	Screw	
14	9001671	Right Front Panel	
15	9001670	Screw	
16	9001332	Screw	
17	9001090	Kickplate	
18	9001672	Left Front Panel	
19	F0637762-00	Finger Guard Extension Assembly	
20	9001142	Side Panel	
21	9001296	Bolt	
22	9001216	Washer	
23	9001262	Nut	
24	9001275	Bolt	
25	9001037	Outlet Pipe Plate Assembly	
26	9001330	Screw	
27	9001229	Washer	
28	9001243	Washer	
29	9001252	Nut	

# Front, Left Side and Upper Back Panels - Models UX055PVXF7, UX55PVXF6 and UX55PVXF7

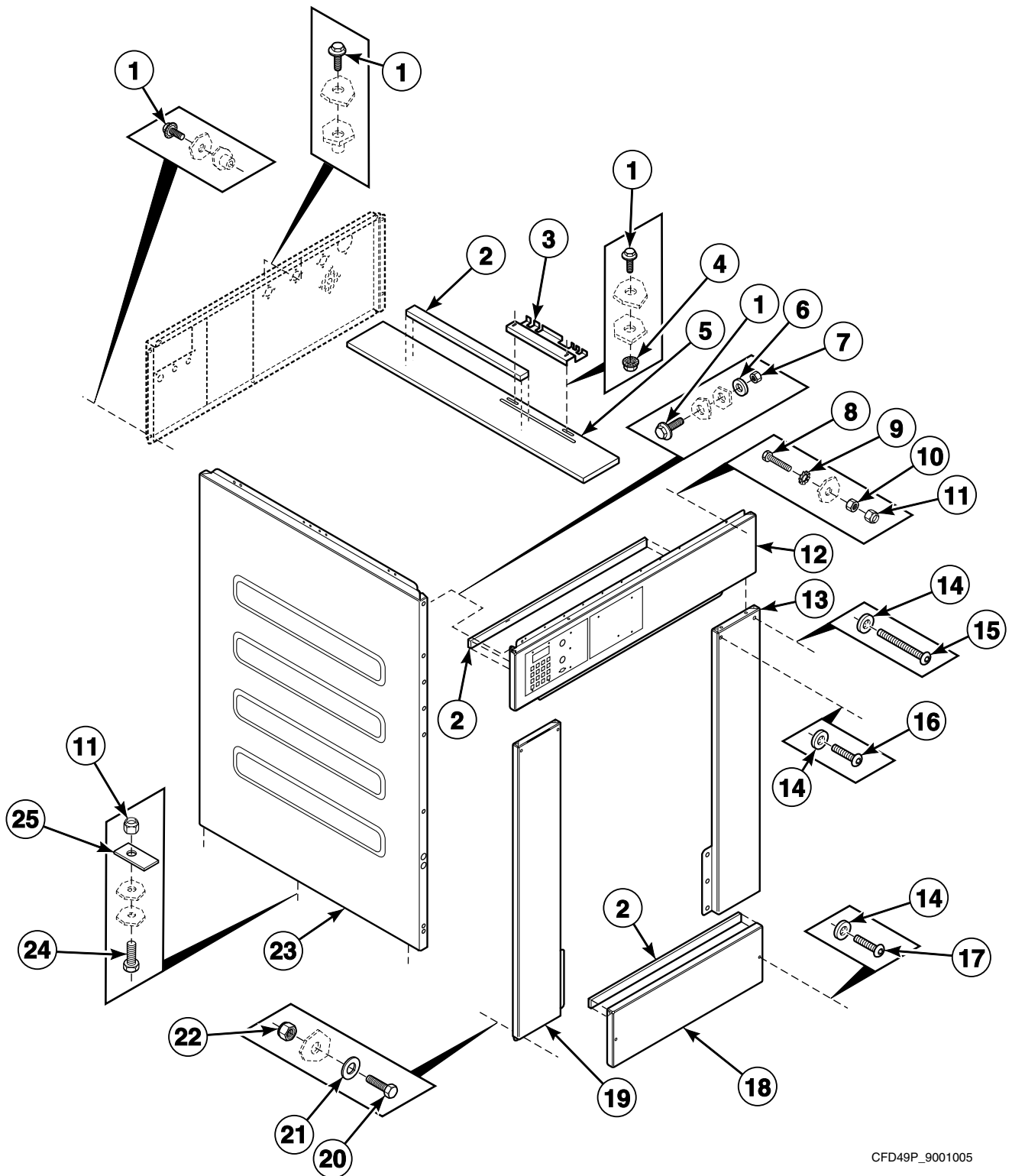


CFD314P\_9001005

## Front, Left Side and Upper Back Panels - Models UX055PVXF7, UX55PVXF6 and UX55PVXF7

REF	PART NO.	DESCRIPTION	COMMENTS
1	111/10303/00	Backbridge	
2	9001076	Dispenser Rear Mounting Plate	
3	9001075	Dispenser Front Mounting Plate	
4	9001310	Bolt	
5	9001311	Nut	
6	9001608	Gasket	
7	9001273	Bolt	
8	9001241	Washer	
9	9001260	Nut	
10	9001254	Nut	
11	111/10302/00	Control Panel	
12	9001236	Washer	
13	9001661	Screw	
14	9001671	Right Front Panel	
15	9001670	Screw	
16	9001332	Screw	
17	9001090	Kickplate	
18	9001672	Left Front Panel	
19	F0637762-00	Finger Guard Extension Assembly	
20	9001296	Bolt	
21	9001216	Washer	
22	9001262	Nut	
23	9001142	Side Panel	
24	9001275	Bolt	
25	9001037	Outlet Pipe Plate Assembly	
26	9001330	Screw	
27	9001229	Washer	
28	9001243	Washer	
29	9001252	Nut	

# Front, Left Side and Upper Back Panels - 75 Pound Models Through 9/30/08

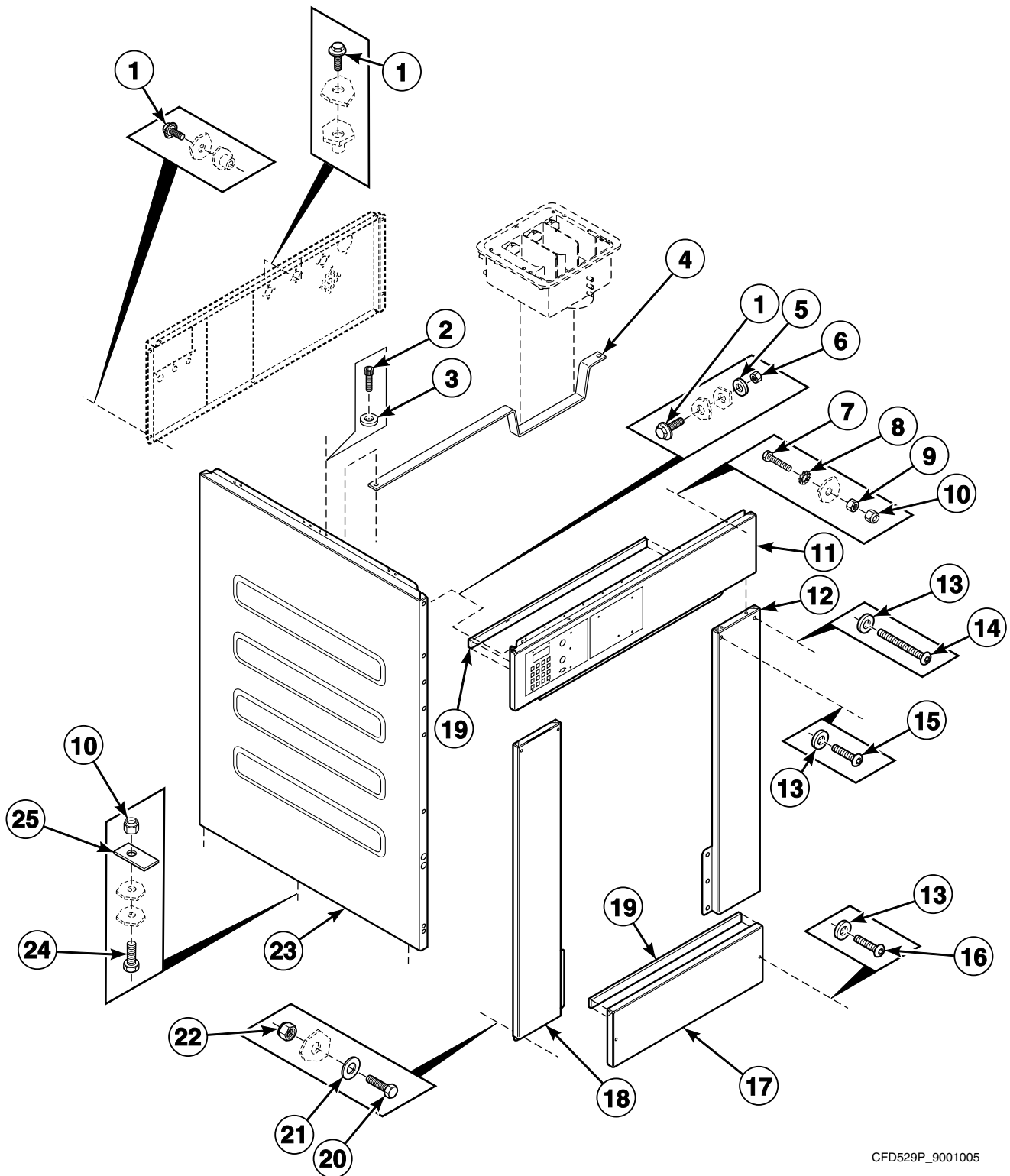


CFD49P\_9001005

## Front, Left Side and Upper Back Panels - 75 Pound Models Through 9/30/08

REF	PART NO.	DESCRIPTION	COMMENTS
1	9001310	Bolt	
2	9001608	Gasket	
3	9001044	Soap Box Support Plate	
4	9001311	Nut	
5	9001054	Dispenser Mounting Plate	
6	9001213	Washer	
7	9001250	Nut	
8	9001273	Bolt	
9	9001241	Washer	
10	9001260	Nut	
11	9001254	Nut	
12	9001068	Control Panel	
13	9001676	Right Front Panel	
14	9001236	Washer	
15	9001661	Screw	
16	9001670	Screw	
17	9001332	Screw	
18	9001090	Kickplate	
19	9001677	Left Front Panel	
20	9001296	Bolt	
21	9001216	Washer	
22	9001262	Nut	
23	9001135	Side Panel	
24	9001275	Bolt	
25	9001037	Outlet Pipe Plate Assembly	

# Front, Left Side and Upper Back Panels - 75 Pound Models Starting 10/1/08 Through 11/13/11

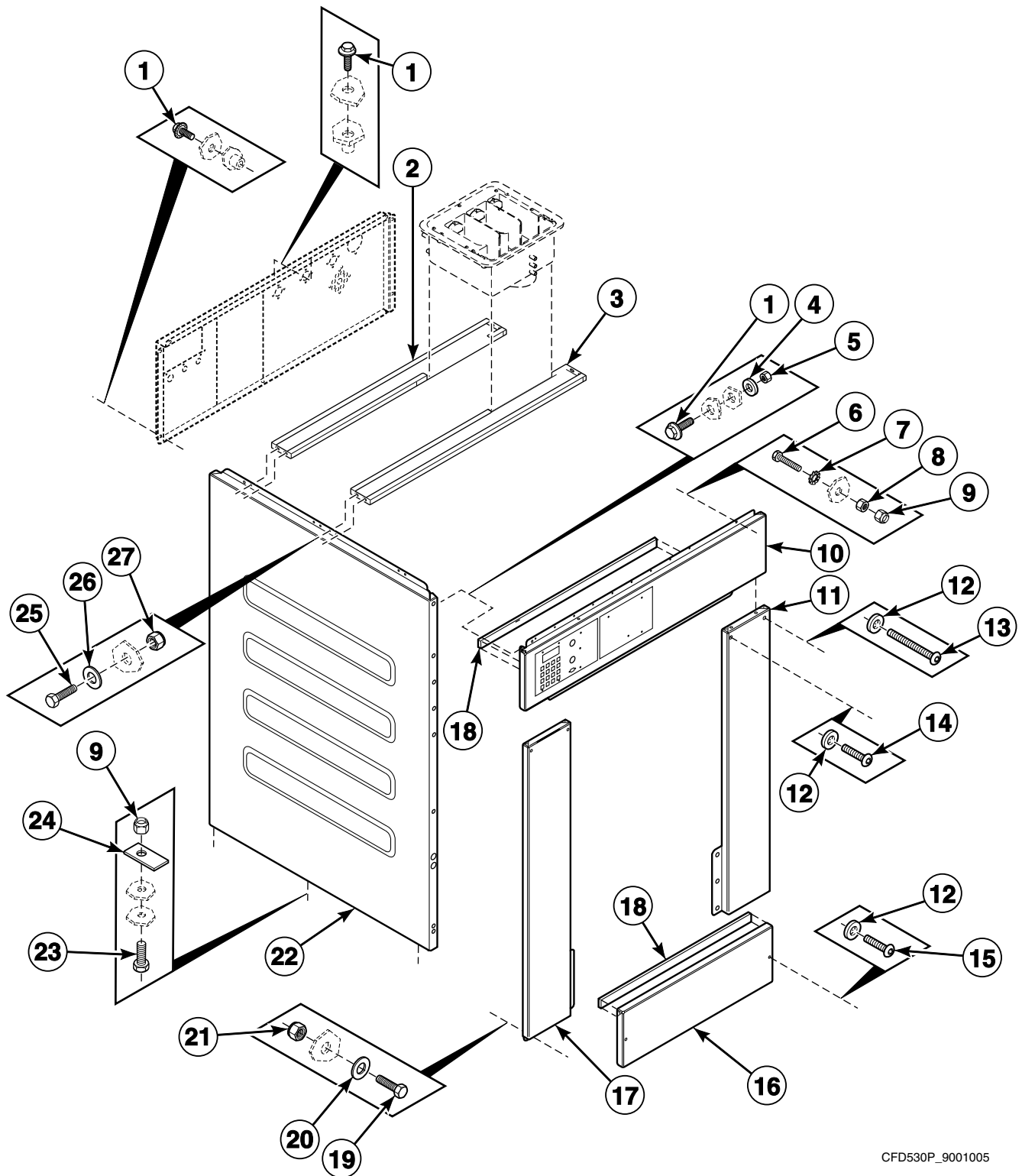


CFD529P\_9001005

## Front, Left Side and Upper Back Panels - 75 Pound Models Starting 10/1/08 Through 11/13/11

REF	PART NO.	DESCRIPTION	COMMENTS
1	9001310	Bolt	
2	206/00166/00	Screw	
3	B12421401	Washer	
4	111/00207/11	Support Bracket	
5	9001213	Washer	
6	9001250	Nut	
7	9001273	Bolt	
8	9001241	Washer	
9	9001260	Nut	
10	9001254	Nut	
11	9001068	Control Panel	
12	9001676	Right Front Panel	
13	9001236	Washer	
14	9001661	Screw	
15	9001670	Screw	
16	9001332	Screw	
17	9001090	Kickplate	
18	9001677	Left Front Panel	
19	9001608	Gasket	
20	9001296	Bolt	
21	9001216	Washer	
22	9001262	Nut	
23	9001135	Side Panel	
24	9001275	Bolt	
25	9001037	Outlet Pipe Plate Assembly	

# Front, Left Side and Upper Back Panels - 75 Pound Models Starting 11/14/11



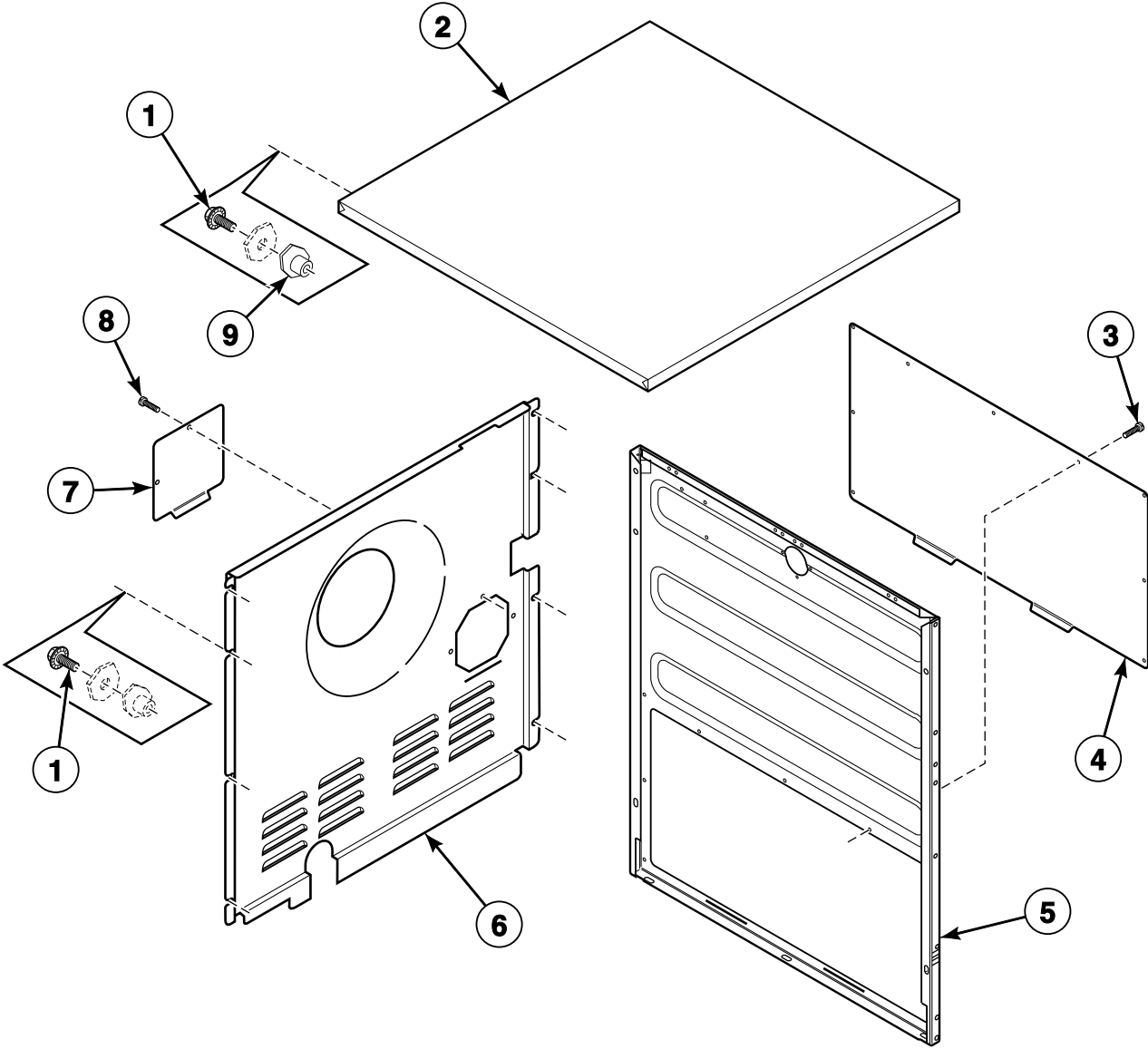
CFD530P\_9001005



## Front, Left Side and Upper Back Panels - 75 Pound Models Starting 11/14/11

REF	PART NO.	DESCRIPTION	COMMENTS
1	9001310	Bolt	
2	B12456101	Support Bracket	Rear
3	B12456201	Support Bracket	Front
4	9001213	Washer	
5	9001250	Nut	
6	9001273	Bolt	
7	9001241	Washer	
8	9001260	Nut	
9	9001254	Nut	
10	9001068	Control Panel	
11	9001676	Right Front Panel	
12	9001236	Washer	
13	9001661	Screw	
14	9001670	Screw	
15	9001332	Screw	
16	9001090	Kickplate	
17	9001677	Left Front Panel	
18	9001608	Gasket	
19	9001296	Bolt	
20	9001216	Washer	
21	9001262	Nut	
22	9001135	Side Panel	
23	9001275	Bolt	
24	9001037	Outlet Pipe Plate Assembly	
25	9001292	Bolt	
26	9001229	Washer	
27	9001267	Nut	

# Top, Right Side and Lower Back Panels - Models UX055PVXF7, UX55PVXF6 and UX55PVXF7

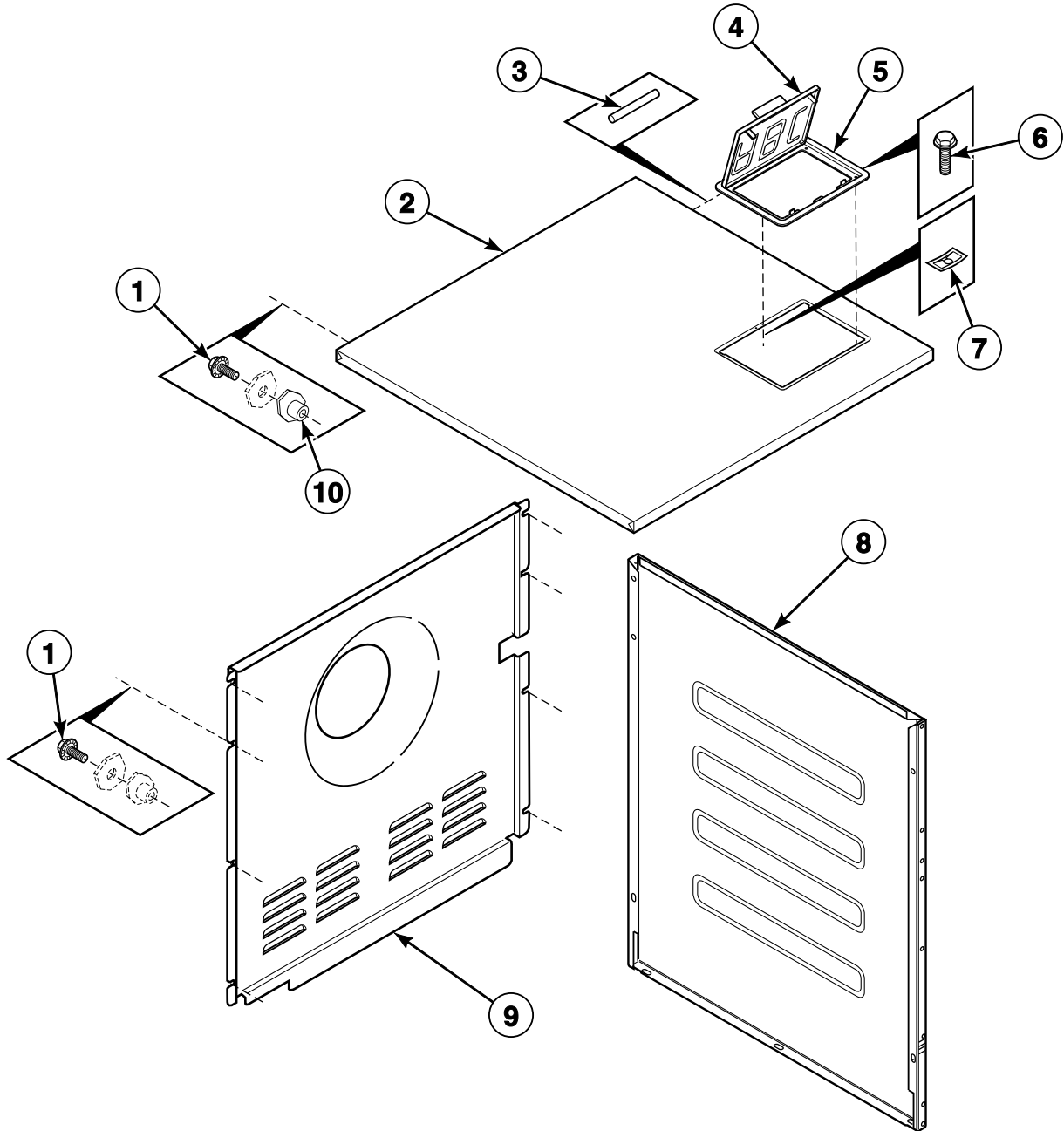


CFD315P\_9001005

## Top, Right Side and Lower Back Panels - Models UX055PVXF7, UX55PVXF6 and UX55PVXF7

REF	PART NO.	DESCRIPTION	COMMENTS
1	9001310	Bolt	
2	111/10304/00	Top Panel	
3	206/00104/00	Screw	
4	111/10316/00	Side Panel Cover	
5	111/10301/00	Right Side Panel	
6	111/10308/00	Rear Panel	
7	111/10315/00	Cover	
8	206/00099/00	Bolt	

# Top, Right Side and Lower Back Panels - All Models Except UX055PVXF7, UX55PVXF6 and UX55PVXF7

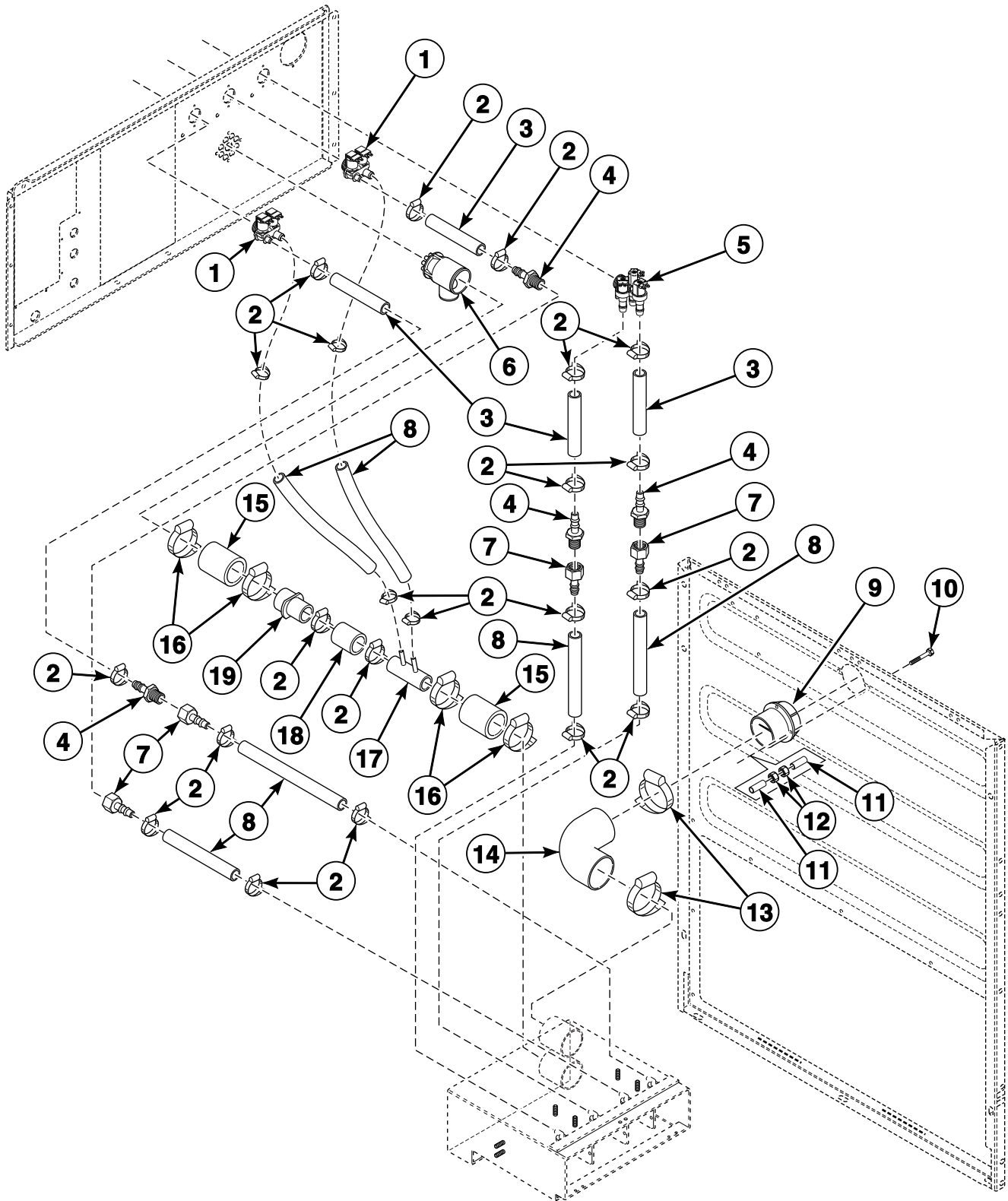


CFD40P\_9001005

## Top, Right Side and Lower Back Panels - All Models Except UX055PVXF7, UX55PVXF6 and UX55PVXF7

REF	PART NO.	DESCRIPTION	COMMENTS
1	9001310	Bolt	
2	9001145	Top Panel	55 pound models
	9001067	Top Panel	75 pound models
3	9001516	Soap Dispenser Cover Hinge Rod	2 required
4	9001514	Soap Dispenser Cover	
5	9001515	Soap Dispenser Frame	
6	9001342	Bolt	
7	9001349	Nut	
8	9001142	Side Panel	55 pound models
	9001135	Side Panel	75 pound models
9	9001046	Rear Panel	55 pound models
	9001045	Rear Panel	75 pound models
10	9001271	Bushing	

# Fill Plumbing - Models UX055PVXF7, UX55PVXF6 and UX55PVXF7

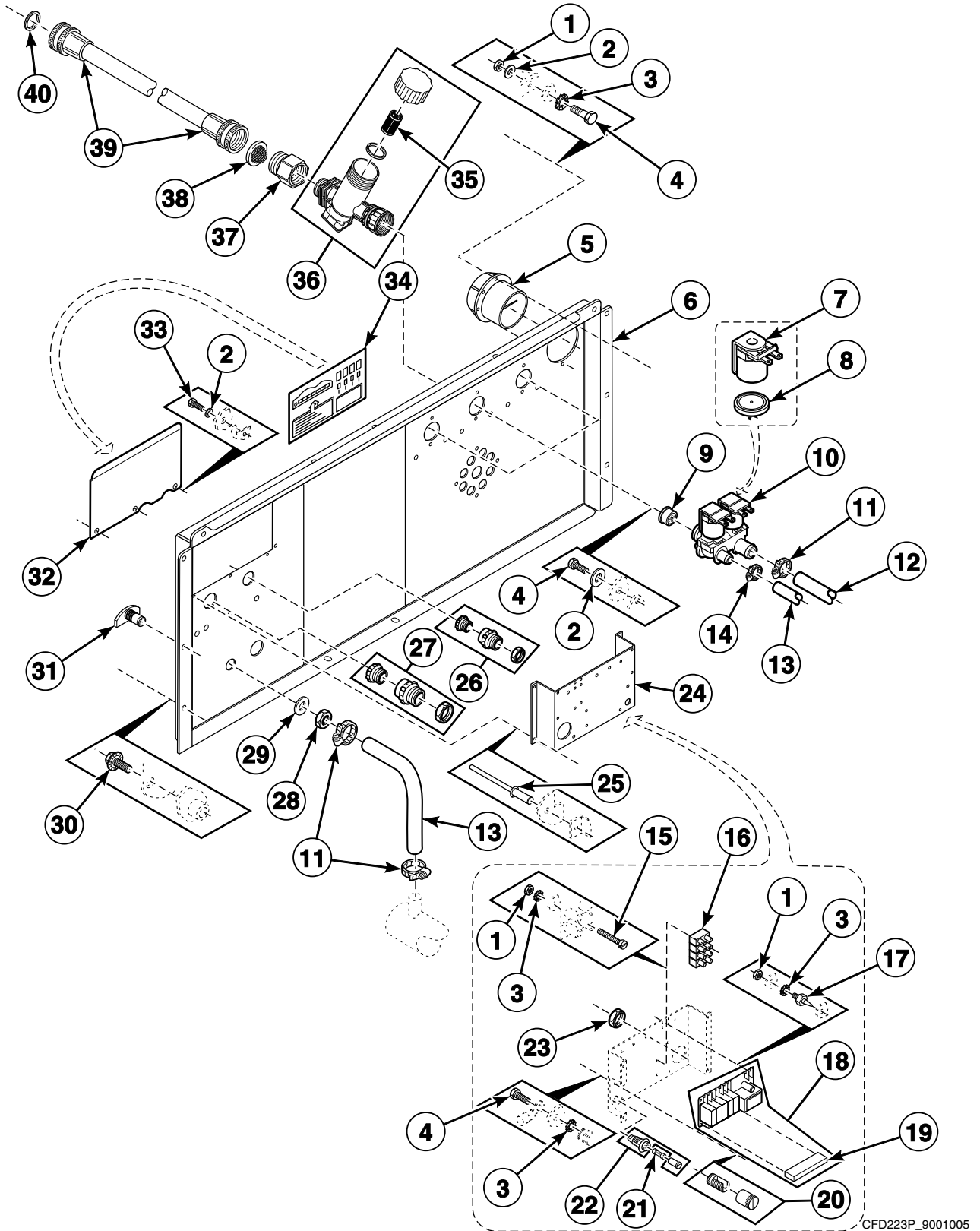


CFD319P\_9001005

## Fill Plumbing - Models UX055PVXF7, UX55PVXF6 and UX55PVXF7

REF	PART NO.	DESCRIPTION	COMMENTS
	G582P3	Diaphragm and Guide Kit	Use with F0381737-00P 3-Way Valve
1	9001377	2-Way Inlet Valve	Used with F380939 Valve Repair Kit
	223/00367/00	Flow Restrictor	
2	223/00009/00	Clamp	
3	9001498	Water Hose	
4	223/00360/60	Coupling	
5	F0381737-00	3-Way Valve	
	223/00367/00	Flow Restrictor	
6	9001550	Liquid Soap Manifold	
7	223/00360/50	Coupling	
8	223/00360/00	Hose	
9	9001510	Hose Vent	
10	107/00136/00	Screw	
11	211/00147/00	Standoff	
12	204/00114/00	Nut	
13	9001495	Hose Clamp	
14	223/00359/00	Hose	
15	223/00059/00	Water Hose	
16	223/00010/00	Hose Clamp	
17	F0638025-00	Fill Inlet Tube	
18	F200107P	Water Hose	
19	F130315	Bushing	

# Fill Plumbing - All Models Except UX055PVXF7, UX55PVXF6 and UX55PVXF7



CFD223P\_9001005

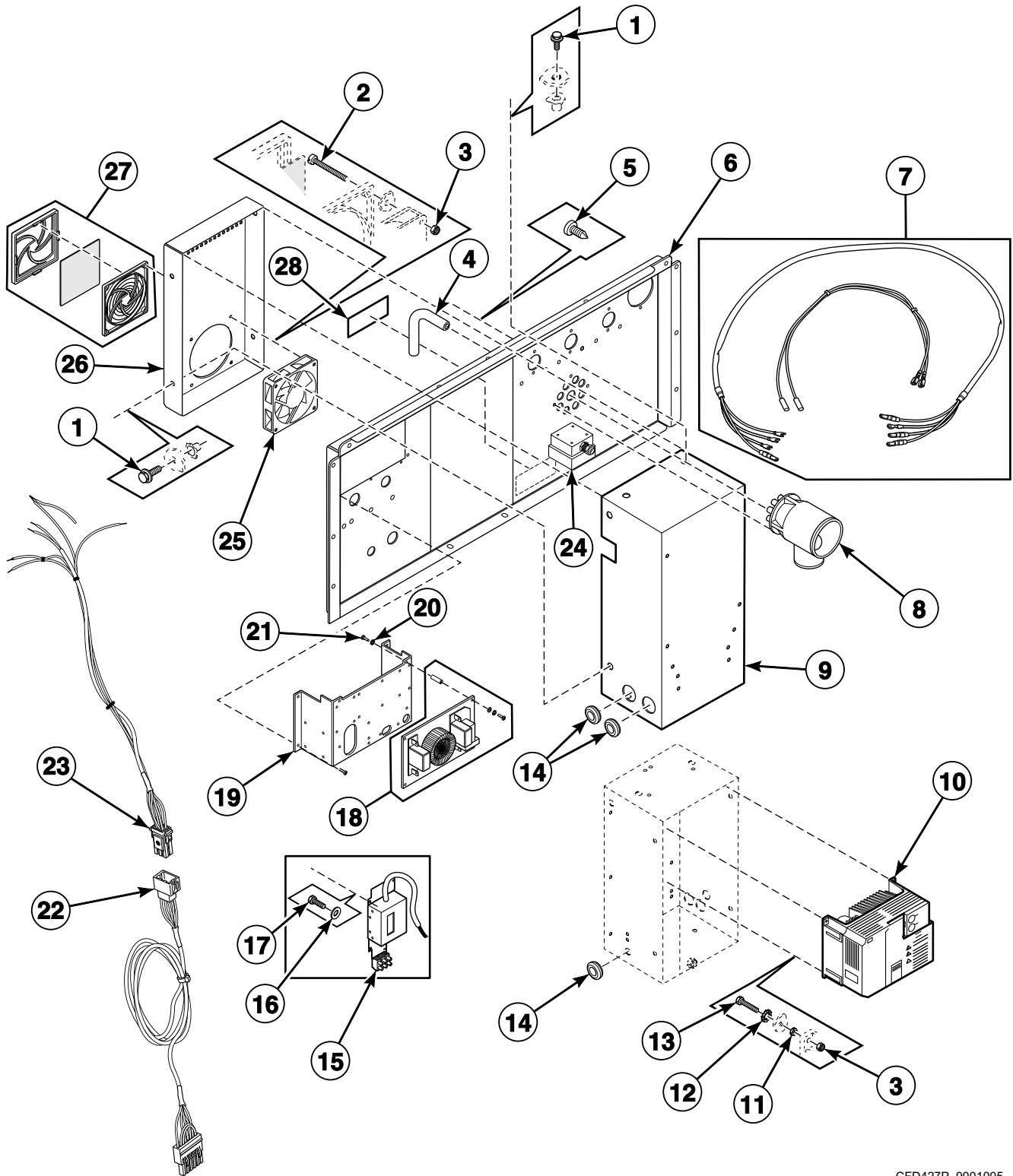


## Fill Plumbing - All Models Except UX055PVXF7, UX55PVXF6 and UX55PVXF7

REF	PART NO.	DESCRIPTION	COMMENTS
1	9001252	Nut	
2	9001229	Washer	
3	9001243	Washer	
4	9001292	Bolt	
5	9001510	Hose Vent	
6	9001062	Backbridge	55 pound models; Models through Serial No. 0605755252
	N/A	Backbridge	75 pound models; Models through Serial No. 0605775058
7	9001753	Inlet Valve Solenoid	
8	9001743	Diaphragm	
9	F200052400	Inlet Valve Restrictor	Cold water valve
	223/00390/00	Flow Restrictor	Hot water valve
10	9001377	2-Way Inlet Valve	Standard thread; 3 required; Used with F380939 Valve Repair Kit
	209/00316/00	2-Way Inlet Valve	Metric thread; 3 required; Used with F380939 Valve Repair Kit
11	9001492	Hose Clamp	
12	9001500	Water Hose	
13	9001498	Water Hose	
14	F200205	Hose Clamp	No. 10
15	9001329	Screw	
16	9001354	Terminal Block	
17	9001429	Standoff	
18	9001366	Soap Injection PCB with Fuse	Includes item 19
19	9001888	Connector	
20	9001350	Ground Terminal	
21	9001384	Fuse	
22	9001364	Fuse Holder	
23	9001539	Grommet	
24	9001040	Electrical Connection Plate	
25	9001346	Rivet	
26	9001431	Cordlock	PE16
27	9001432	Cordlock	PG21
28	9001270	Nut	
29	9001209	Washer	
30	9001310	Bolt	
31	9001487	Prewash and Mainwash Nozzle	
32	9001040	Electrical Connection Plate	
33	9001279	Bolt	
34	9001594	Electrical Connection Sticker	
35	209/00385/01	Filter	
36	209/00385/00	Filter	
37	223/00050/01	Water Valve Adapter	Converts from metric to standard thread
38	803615	Washer	
39	F200164	Water Hose	Standard thread
	F200166	Water Hose	Metric thread
40	20290	Washer	

N/A = Part no longer available

# Upper Back Panel - 55 Pound Models

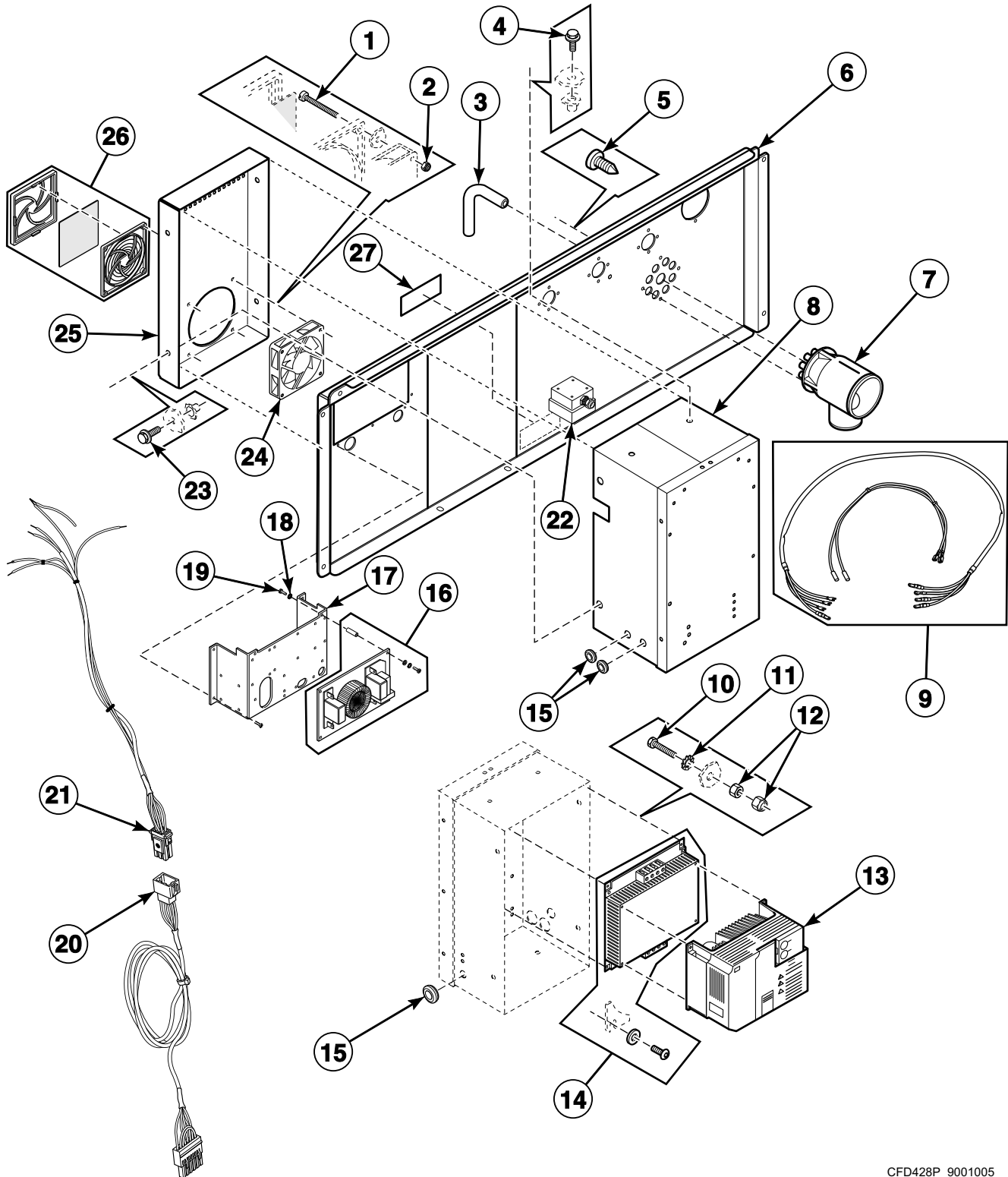


CFD427P\_9001005

## Upper Back Panel - 55 Pound Models

REF	PART NO.	DESCRIPTION	COMMENTS
	9001011	Parameter Unit Assembly	Includes 9001011 Parameter Unit Assembly and 9001895 Parameter Unit Program Cable; Hand held
	F8410901	Parameter Unit Assembly	Used with 500-series inverter drives; Mounts to the inverter drive
1	9001310	Bolt	
2	9001317	Bolt	
3	9001267	Nut	
4	9001531	Pressure Hose	
5	B12350903	Screw	
6	9001062	Backbridge	Models through Serial No. 0605755252
7	B12382103	Motor Harness	
8	9001550	Liquid Soap Manifold	
9	9001060	Inverter Drive Box	
10	227/00238/00	Inverter	N-voltage; 440-480 Volt/3 Phase, 2.2 kW; 500-series
	9002035	Inverter Fan	
	F8421105	Drive	Q and X-voltage; 700-series; Used with models with V-belts
	F8421107	Drive	Q and X-voltage; 700-series; Used with models with flat belts
	F8421106	Drive	N and P-voltage; 700-series; Used with models with V-belts
	F8421108	Drive	N and P-voltage; 700-series; Used with models with flat belts
	F8421005	Inverter Kit	Q and X-voltage; 700-series; Used with models with V-belts; Includes F8421105 Drive
	F8421007	Inverter Kit	Q and X-voltage; 700-series; Used with models with flat belts; Includes F8421107 Drive
	F8421006	Inverter Kit	N and P-voltage; 700-series; Used with models with V-belts; Includes F8421106 Drive, F8409501 Mounting Plate Assembly and F430903 Screw
	F8421008	Inverter Kit	N and P-voltage; 700-series; Used with models with flat belts; Includes F8421108 Drive, F8409501 Mounting Plate Assembly and F430903 Screw
11	9001252	Nut	
12	9001242	Washer	
13	9001278	Bolt	
14	9001530	Grommet	
15	9001593	Noise Filter	
16	9001229	Washer	
17	9001323	Screw	
18	210/00027/UL00	Filter	16A1; Standard; Models starting 1/8/04
	9001899	Filter	45A1; 220 Volt/1 Phase models with electric heat; Models starting 1/8/04
	227/00242/00	Noise Filter	16A3; 220 Volt/3 Phase, 4.2 and 6 kW models with electric heat; Models starting 1/8/04
	9001898	Filter	40A3; 400 Volt/3 Phase, 9 kW models with electric heat; Models starting 1/8/04
19	9001952	Electrical Connection Plate	Models through Serial No. 0605755252
20	9001243	Washer	
21	9001292	Bolt	
22	9001905	Micro to Connector Harness	From the main control to the inverter drive; Requires the inverter jumper be in the "source" position
23	9001904	Connector to Inverter Harness	From the main control to the inverter drive
24	9001986	Transformer	N-voltage
25	9001375	Cooling Fan	
26	F200167500	AC Drive Cover	
27	9001376	Fan Grill	Models through 10/5/08
	209/00287/11	AC Drive Filter	Models starting 10/6/08
28	B12355001	Voltage Discharge Decal	

# Upper Back Panel - 75 Pound Models

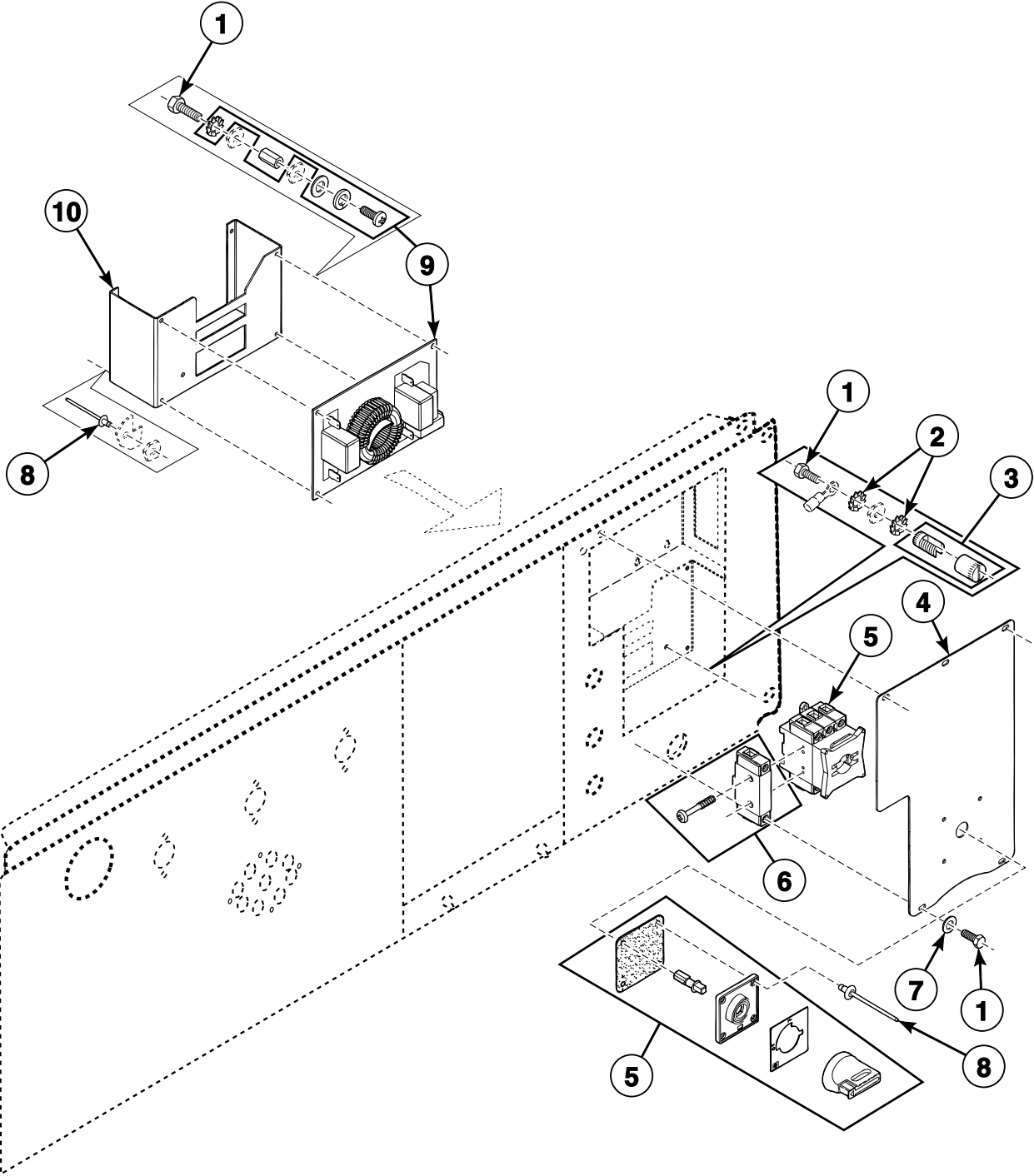


CFD428P\_9001005

## Upper Back Panel - 75 Pound Models

REF	PART NO.	DESCRIPTION	COMMENTS
	9001011	Parameter Unit Assembly	Includes 9001011 Parameter Unit Assembly and 9001895 Parameter Unit Program Cable; Hand held
	F8410901	Parameter Unit Assembly	Used with 500-series inverter drives; Mounts to the inverter drive
<b>1</b>	9001317	Bolt	
<b>2</b>	9001267	Nut	
<b>3</b>	9001531	Pressure Hose	
<b>4</b>	9001310	Bolt	
<b>5</b>	B12350903	Screw	
<b>6</b>	9002092	Backbridge	Models through Serial No. 0605775058
<b>7</b>	9001550	Liquid Soap Manifold	
<b>8</b>	9001059	Inverter Drive Box	
<b>9</b>	210/38729UL/15	Inverter to Motor Harness	
<b>10</b>	9001278	Bolt	
<b>11</b>	9001242	Washer	
<b>12</b>	9001261	Nut	
<b>13</b>	227/00224/00	Inverter	Q-voltage; 3.7 kW; 3 x 240 Volt; 500-series
	9001586	Inverter	N and P-voltage; 3.7 kW; 3 x 380 Volt; 500-series
	9002035	Inverter Fan	
	F8421109	Drive	Q-voltage; 700-series; Used with models with V-belts
	F8421111	Drive	Q-voltage; 700-series; Used with models with flat belts
	F8421110	Drive	N and P-voltage; 700-series; Used with models with V-belts
	F8421112	Drive	N and P-voltage; 700-series; Used with models with flat belts
	F8421009	Inverter Kit	Q-voltage; 700-series; Used with models with V-belts; Includes F8421109 Drive
	F8421011	Inverter Kit	Q-voltage; 700-series; Used with models with flat belts; Includes F8421111 Drive
	F8421010	Inverter Kit	N and P-voltage; 700-series; Used with models with V-belts; Includes F8421110 Drive, F8409501 Mounting Plate Assembly and F430903 Screw
F8421012	Inverter Kit	N and P-voltage; 700-series; Used with models with flat belts; Includes F8421112 Drive, F8409501 Mounting Plate Assembly and F430903 Screw	
<b>14</b>	9001590	Noise Filter	
<b>15</b>	9001530	Grommet	
<b>16</b>	210/00027/UL00	Filter	16A1; Standard; Models starting 1/8/04
	9001899	Filter	45A1; 220 Volt/1 Phase models with electric heat; Models starting 1/8/04
	227/00242/00	Noise Filter	16A3; 220 Volt/3 Phase, 4.2 and 6 kW models with electric heat; Models starting 1/8/04
	9001898	Filter	40A3; 400 Volt/3 Phase, 9 kW models with electric heat; Models starting 1/8/04
<b>17</b>	9001902	Electrical Connection Plate	Models through Serial No. 0605775058
<b>18</b>	9001243	Washer	
<b>19</b>	9001292	Bolt	
<b>20</b>	B12371101	Micro to Connector Harness	Q-voltage; From the main control to the inverter drive; Requires the inverter jumper to be in the "sink" position
	9001905	Micro to Connector Harness	N and P-voltage; From the main control to the inverter drive; Requires the inverter jumper to be in the "source" position
<b>21</b>	9001904	Connector to Inverter Harness	From the main control to the inverter drive
<b>22</b>	9001986	Transformer	N-voltage
<b>23</b>	9001310	Bolt	
<b>24</b>	9001375	Cooling Fan	
<b>25</b>	9001061	Inverter Box Cover	
<b>26</b>	9001376	Fan Grill	Models through 10/5/08
	209/00287/11	AC Drive Filter	Models starting 10/6/08
<b>27</b>	B12355001	Voltage Discharge Decal	

# Upper Back Panel - 55 Pound Models Starting Serial No. 0605755253 and 75 Pound Models Starting Serial No. 060775059

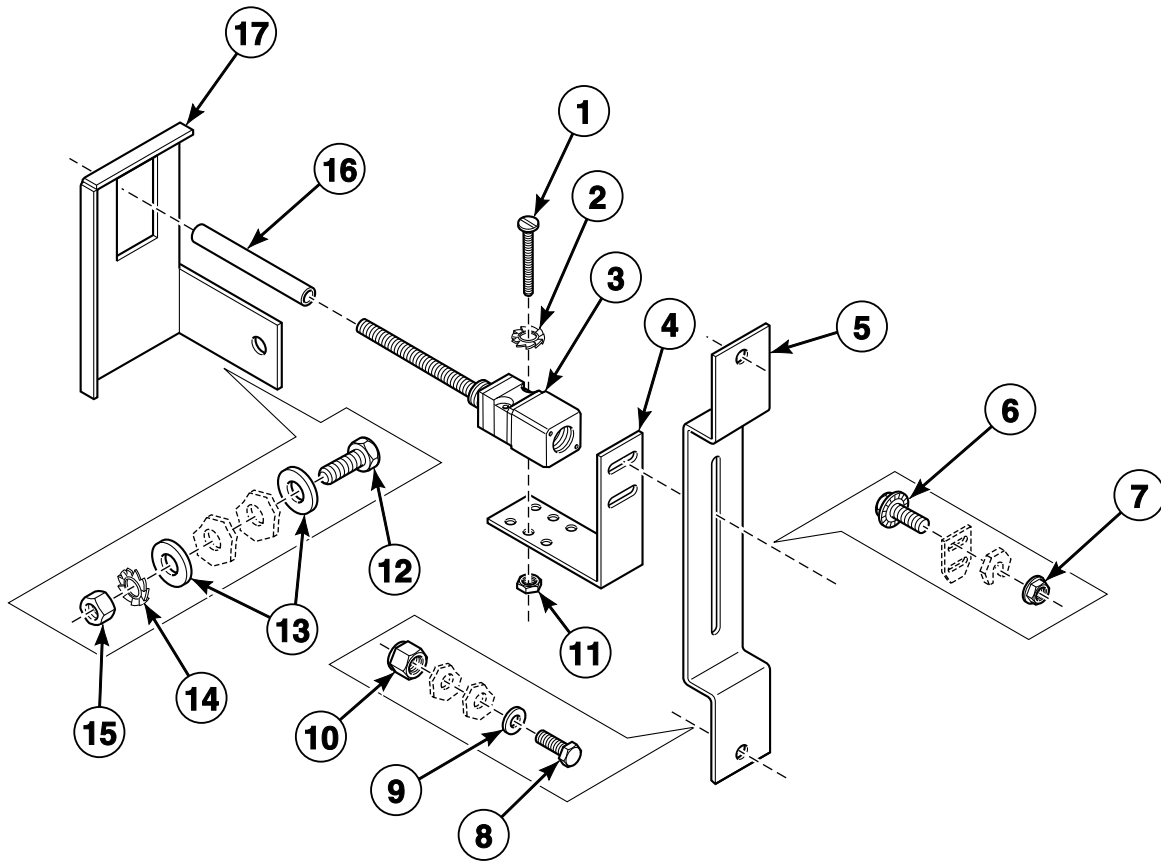


CFD200P\_9001005

**Upper Back Panel - 55 Pound Models Starting Serial No.  
0605755253 and 75 Pound Models Starting Serial No. 060775059**

REF	PART NO.	DESCRIPTION	COMMENTS
1	9001292	Bolt	
2	9001243	Washer	
3	9001350	Ground Terminal	
4	9002088	Main Switch Cover	
5	9001390	Main Switch	Standard and steam heat
	9002089	Main Switch	Electric heat; 40 A
	9001387	Main Switch	Electric heat; 80 A
6	9001391	Neutral Terminal Block	25 A VZ-11
	9001388	Neutral Terminal Block	63/80 A VZ-12
7	9001229	Washer	
8	9001346	Rivet	
9	210/00027/UL00	Filter	16A1; Standard; Models starting 1/8/04
	9001899	Filter	45A1; 220 Volt/1 Phase models with electric heat; Models starting 1/8/04
	9001897	Filter	16A3; 220 Volt/3 Phase, 4.2 and 6 kW models with electric heat; Models starting 1/8/04
	9001898	Filter	40A3; 220 Volt/3 Phase, 9 kW models with electric heat; Models starting 1/8/04
10	9002090	Filter Bracket	

# Balance Switch



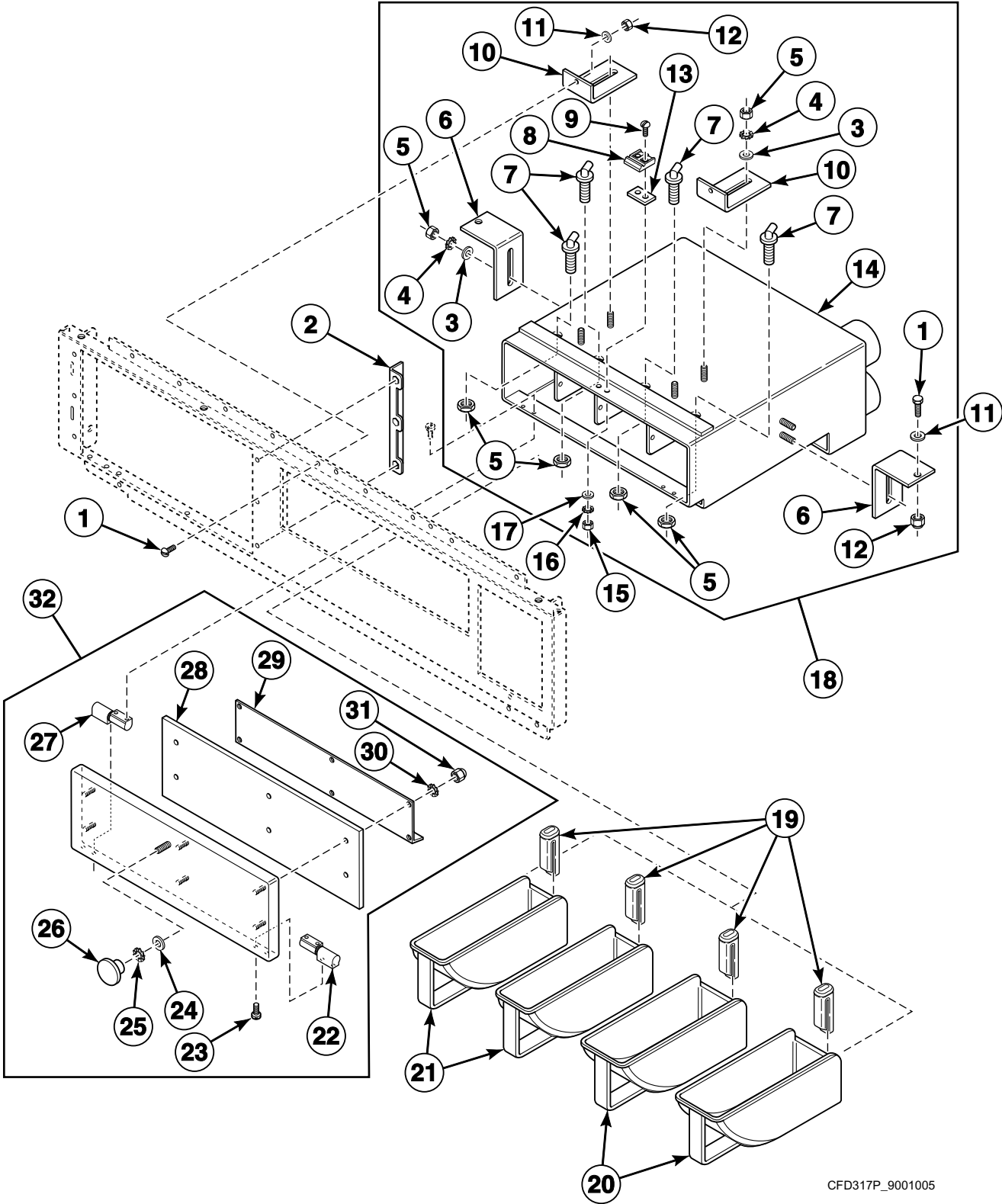
CFD28P\_9001005



# Balance Switch

REF	PART NO.	DESCRIPTION	COMMENTS
1	9001325	Screw	
2	9001243	Washer	
3	9001369	Out-of-Balance Switch	
4	9001041	Tilt Switch Bracket	
5	9001056	Out-of-Balance Switch Bracket	
6	9001310	Bolt	
7	9001311	Nut	
8	9001277	Bolt	
9	9001230	Washer	
10	9001254	Nut	
11	9001252	Nut	
12	9001287	Bolt	
13	9001216	Washer	
14	9001240	Washer	
15	9001249	Nut	
16	9001766	Out-of-Balance Switch Boot	
17	B12485001	Tilt Detector Plate	

# Supply Dispenser - Models UX055PVXF7, UX55PVXF6 and UX55PVXF7

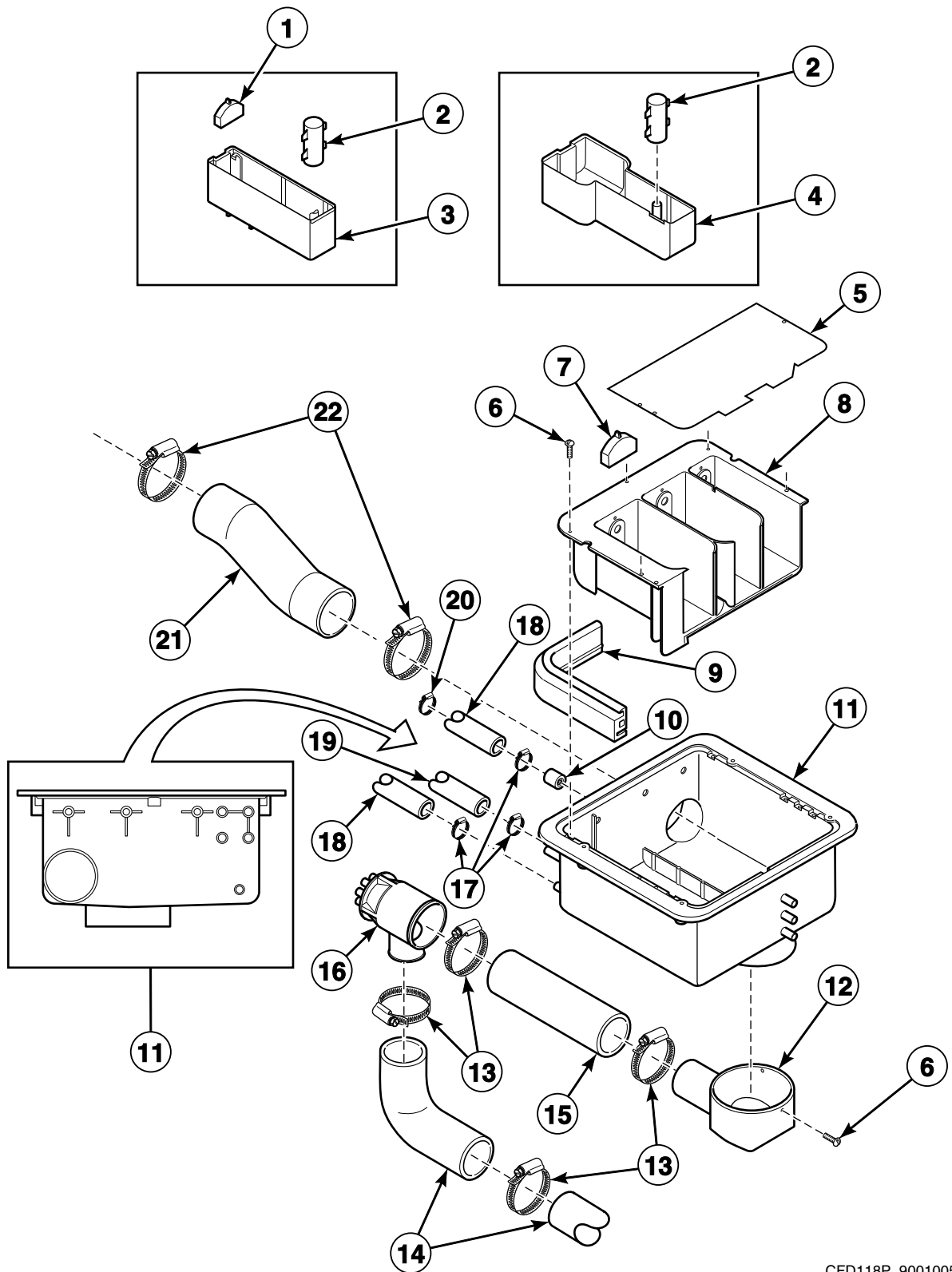


CFD317P\_9001005

## Supply Dispenser - Models UX055PVXF7, UX55PVXF6 and UX55PVXF7

REF	PART NO.	DESCRIPTION	COMMENTS
1	F430939	Screw	
2	111/10310/02	Control Module Wrap Brace	
3	F431147	Washer	
4	F430322	Washer	
5	F431005	Nut	
6	F0609664-00	Supply Dispenser Mounting Bracket	
7	F8322001	Injection Nozzle	
8	F432223	Supply Dispenser Lid Latch	
9	F430909	Screw	
10	F0637866-00	Supply Dispenser Mounting Bracket	
11	F431147	Washer	
12	F431024	Nut	
13	111/10313/00	Dispenser Lock Plate	
14	F0637862-00	Supply Dispenser Weldment	
15	F431000	Nut	
16	F431106	Washer	
17	F431133	Washer	
18	F0637838-00	Supply Dispenser Assembly	Includes items 3-17
19	F150390	Siphon Tube	
20	F150369	Supply Dispenser Cup	32 oz.
21	F150368	Supply Dispenser Cup	20 oz.
22	F190202P	Lift-Off Hinge	
23	F430903	Screw	
24	F431105	Washer	
25	F431137	Washer	
26	F190101	Push-Pull Knob	
27	F190205P	Lift-Off Hinge	
28	F0637836-00	Gasket Cover	
29	F0637835-00	Gasket Retaining Plate	
30	F431106	Washer	
31	F431028	Nut	
32	F0637833-00	Supply Dispenser Cover Assembly	Includes items 22-31

# Supply Dispenser - All Models Except UX055PVXF7, UX55PVXF6 and UX55PVXF7

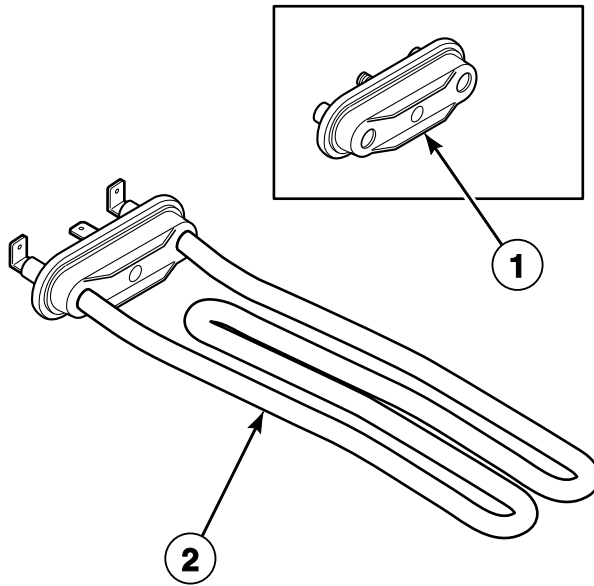


CFD118P\_9001005

## Supply Dispenser - All Models Except UX055PVXF7, UX55PVXF6 and UX55PVXF7

REF	PART NO.	DESCRIPTION	COMMENTS
1	9001508	Softener Spray Nozzle	
2	9001507	Soap Dispenser Rinse Siphon	
3	9001506	Rinse Insert	
4	9001511	Liquid Soap Dispenser Insert	
5	F200047800	Supply Deflector	
6	B12347509	Screw	
7	9001509	Soap Spray Nozzle	
8	223/00102/30	Soap Dispenser Assembly	
9	9001522	Soap Dispenser Gasket	
10	F060334200	Restrictor Assembly	
11	9001513	Dispenser Assembly	
12	9001538	Dispenser Drain Funnel	
13	9001502	Hose Clamp	
14	B12322401	Siphon Break Hose	55 pound models
	B12322402	Siphon Break Hose	75 pound models
15	9001673	Siphon Break Dispenser Hose	55 pound models
	9001678	Siphon Break Dispenser Hose	75 pound models
16	9001550	Liquid Soap Manifold	
17	F200205	Hose Clamp	No. 10
18	9001499	Water Hose	
19	9001500	Water Hose	
20	36801	Hose Clamp	No. 8
21	9001521	Vent Hose	
22	9001495	Hose Clamp	

# Electric Heating Option

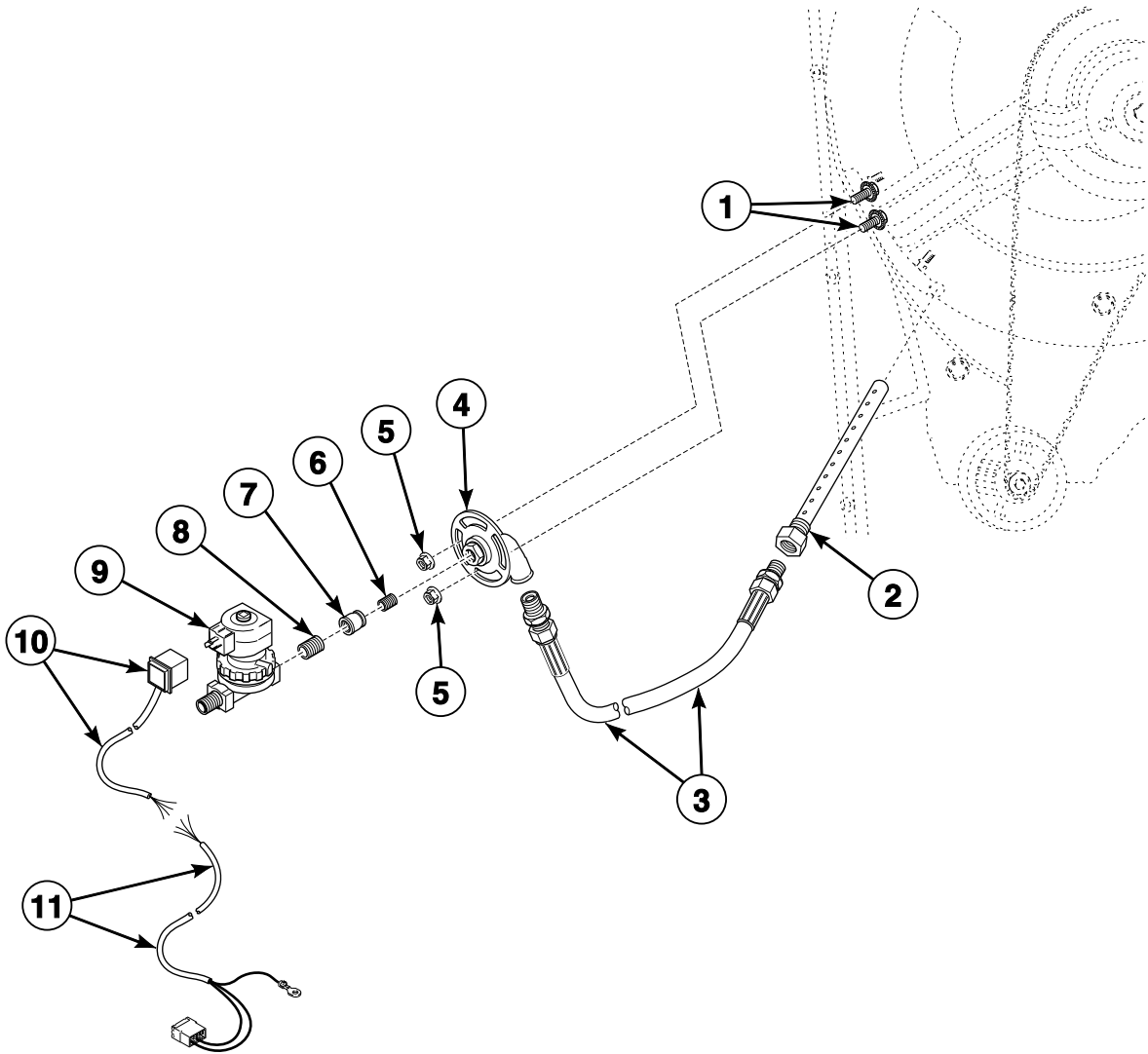


CFD81P\_9001005

## Electric Heating Option

REF	PART NO.	DESCRIPTION	COMMENTS
1	F360202	Heating Element Plug	
2	209/00562/20	Heating Element	3000 W

# Steam Heating Option



CFD106P\_9001005



## Steam Heating Option

REF	PART NO.	DESCRIPTION	COMMENTS
	808P3	Steam Kit	Includes items 1-11
1	9001310	Bolt	
2	9001118	Steam Injector	
3	9001471	Steam Hose	
4	9001107	Steam Inlet	
5	9001311	Nut	
6	70435601	Pipe Nipple	1/2 inch
7	F200001100	Reducer	
8	F200001200	Nipple	3/8 inch
9	F8521801	DIN Valve Kit	
10	F605220	Steam Valve Harness	
11	9001751	Main Control Heat Harness	



# Parts Index

## A

AC Drive Cover	
F200167500.....	81
AC Drive Filter	
209/00287/11 .....	81

## B

Backbridge	
111/10303/00.....	65
9001062 .....	63, 79, 81
9002092 .....	83
Balance Switch Access Cover	
F0637820-00.....	53
Ball Bearing	
212/00024/01 .....	23
9001438 .....	23, 25, 27
Basket	
B12380901.....	19, 21, 29
B12381001.....	19, 21, 29
Basket and Pulley Kit	
B12537901.....	19, 21, 31
Basket Kit	
B12543201.....	19, 21, 29
Bearing	
F100134 .....	25
Bearing and Seal Kit	
3884P.....	25
Bearing Housing Assembly	
139/10006/00 .....	23, 25
9001451 .....	27
Bearing Housing Cover	
9001097 .....	27
Bearing Replacement Kit	
891P3.....	23
892P3.....	27
Bearing Replacement Tool Kit	
381P3.....	25
385P4.....	23, 27
Bearing Retainer Ring	
9001036 .....	33
Bearing Spacer	
9001602 .....	31
Belt	
226/00149/00 .....	29
226/00151/00 .....	31
9001569 .....	29
Belt Adjusting Rod	
9001020 .....	33
Bolt	
206/00032/00 .....	19, 21
206/00087/00 .....	15, 17
206/00099/00 .....	73
206/00153/00 .....	13, 15, 17
9001272 .....	23, 25
9001273 .....	39, 41, 43, 63, 65, 67, 69, 71
9001274 .....	23, 25, 27, 45, 47, 49
9001275 .....	37, 63, 65, 67, 69, 71
9001277 .....	37, 59, 87

9001278 .....	81, 83
9001279 .....	79
9001283 .....	33, 35
9001284 .....	29, 31
9001286 .....	33, 35
9001287 .....	19, 21, 39, 41, 87
9001288 .....	27
9001292 .....	71, 79, 81, 83, 85
9001296 .....	63, 65, 67, 69, 71
9001297 .....	35
9001305 .....	19, 21
9001306 .....	19, 21
9001307 .....	33, 35
9001310 .....	57, 59, 61, 63, 65, 67, 69, 71, 73, 75, 79, 81, 83, 87, 95
9001317 .....	81, 83
9001342 .....	75
9001557 .....	13, 15, 17
9001901 .....	29
9001949 .....	43

## Bushing

F130315 .....	77
9001271 .....	75

## C

Caddy Bracket	
9001559 .....	23, 25, 27
9001560 .....	23, 25, 27
Circuit Board Cover	
229/00289/00 .....	55
Clamp	
223/00009/00 .....	77
Connector	
9001888 .....	79
Connector to Inverter Harness	
9001904 .....	81, 83
Contact Block	
44018701 .....	53, 55
44018901 .....	53, 55
Contacto	
9001352 .....	57, 59, 61
9002066 .....	57, 59, 61
Control Module Bottom Assembly	
F0637821-00 .....	53
Control Module Face	
F0637813-00 .....	53
Control Module Wrap	
F0637819-00 .....	53
Control Module Wrap Brace	
111/10310/02 .....	89
Control Panel	
111/10302/00 .....	65
9001068 .....	55, 67, 69, 71
9001089 .....	55, 63
Cooling Fan	
9001375 .....	33, 35, 81, 83
Cordlock	
9001431 .....	79
9001432 .....	33, 35, 79

N/A items do not appear in index.

Counter Ring	
9001483 .....	29
9001601 .....	31
Counterweight	
9001023 .....	19, 21
9001024 .....	19, 21
Coupling	
B12341901 .....	37
223/00360/50 .....	77
223/00360/60 .....	77
Cover	
111/10315/00 .....	73
Cylinder and Shaft Assembly	
B12327101 .....	19, 21, 29

## D

Diaphragm	
F0638025-00 .....	77
9001743 .....	79
Diaphragm and Guide Kit	
G582P3 .....	77
DIN Valve Kit	
F8521801 .....	95
Dispenser Assembly	
9001513 .....	91
Dispenser Drain Funnel	
9001538 .....	91
Dispenser Front Mounting Plate	
9001075 .....	63, 65
Dispenser Lock Plate	
111/10313/00 .....	89
Dispenser Mounting Plate	
9001054 .....	67
Dispenser Rear Mounting Plate	
9001076 .....	63, 65
Display	
209/00580/03 .....	53, 55
Door	
118/00125/00 .....	47, 49
9001131 .....	45
Door Front Panel	
111/05015/00 .....	21
9001088 .....	19
9001096 .....	19
Door Glass	
B12449801 .....	45, 47, 49
Door Glass Seal	
9001501 .....	45, 47, 49
Door Handle	
217/00055/00 .....	45, 47, 51
217/00065/00 .....	49
Door Handle Catch	
9001473 .....	51
Door Handle Decal	
9001741 .....	19, 21
Door Handle Latch	
9001474 .....	51
Door Handle Stop	
9001467 .....	45, 47, 49
Door Hinge Block	
9001628 .....	45, 47, 49

Door Hinge Plate Assembly	
9001038 .....	45, 47, 49
Door Hinge Spacer	
9001105 .....	45, 47, 49
9001106 .....	45, 47, 49
Door Lock Assembly	
B12517701 .....	43
Door Lock Microswitch	
9001371 .....	43
Door Lock Pin and Pivot Block Kit	
9001997 .....	43, 45, 47, 49
Door Lock Pin Bracket	
9001998 .....	43
Door Lock Spacer	
9001477 .....	43
Door Lock Spring	
9001558 .....	43
Door Release Wire	
9001950 .....	43
Door Solenoid	
209/00703/50 .....	43
Drain Elbow	
223/00368/00 .....	37
Drain Kit	
831P3 .....	41
Drain Pipe	
9001518 .....	39, 41
Drain Support Bracket	
111/10300/00 .....	37
Drain Tee	
F0380318-00 .....	37
Drain Tub to Drain Valve Hose	
9001525 .....	39
Drain Valve	
F0380632-00 .....	37
9001355 .....	39, 41
9001361 .....	41
Drain Valve Bracket	
F0638013-00 .....	37
Drain Valve Bracket Plate	
111/10318/00 .....	37
Drain Valve Harness	
900/00261/UL00 .....	39, 41
Drain Valve Mounting Bracket	
111/10312/00 .....	37
Drain Valve Overflow Plug	
9001503 .....	39, 41
Drain Valve Plate Assembly	
9001099 .....	39, 41
Drain Valve to Drain Pipe Hose	
9001526 .....	37, 39, 41
Drain Valve Wiring Harness	
210/00905/00 .....	37
Drive	
F8421105 .....	81
F8421106 .....	81
F8421107 .....	81
F8421108 .....	81
F8421109 .....	83
F8421110 .....	83
F8421111 .....	83
F8421112 .....	83
Drum	
B12327301 .....	19, 21, 31

N/A items do not appear in index.

---

## E

Elbow	
223/00363/00 .....	37
Electrical Component Extension Plate	
9001144 .....	57
Electrical Component Mounting Plate	
9001958 .....	61
Electrical Component Plate	
9001053 .....	57
Electrical Components Plate	
9001057 .....	59
9001146 .....	59
9002081 .....	61
9002082 .....	61
Electrical Connection Plate	
9001040 .....	79
9001902 .....	83
9001952 .....	81
Electrical Connection Sticker	
9001594 .....	79
Exhaust Valve Hose	
223/00170/00 .....	41

---

## F

Fan Grill	
9001376 .....	81, 83
Filter	
209/00287/11 .....	83
209/00385/00 .....	79
209/00385/01 .....	79
210/00027/UL00 .....	81, 83, 85
9001897 .....	85
9001898 .....	81, 83, 85
9001899 .....	81, 83, 85
Filter Bracket	
9002090 .....	85
Finger Guard Extension Assembly	
F0637762-00 .....	63, 65
Flat Cable	
9001417 .....	53, 55
Flow Restrictor	
223/00367/00 .....	77
223/00390/00 .....	79
Frame	
9001100 .....	11
9001101 .....	9
Front Panel	
9001130 .....	19, 21
Front Panel Gasket	
223/00242/50 .....	19, 21
Fuse	
9001379 .....	55
9001384 .....	79
Fuse Holder	
9001364 .....	79

---

## G

Gasket	
246/00149/00 .....	37
9001607 .....	19, 21
9001608 .....	63, 65, 67, 69, 71
Gasket Cover	
F0637836-00 .....	89
Gasket Retaining Plate	
F0637835-00 .....	89
Gravity Drain Valve	
803292 .....	37
Grease Ring	
9001441 .....	27
Grommet	
9001530 .....	81, 83
9001539 .....	57, 59, 79
Ground Terminal	
9001350 .....	79, 85
9001419 .....	43

---

## H

Heating Element	
209/00562/20 .....	93
Heating Element Plug	
F360202 .....	93
Hinge	
9001486 .....	45, 47, 49
Hose	
F0150470-01 .....	37
223/00359/00 .....	77
223/00360/00 .....	77
Hose Barb	
9001496 .....	57, 59
Hose Clamp	
F200201 .....	37
F200205 .....	79, 91
F200213 .....	37
223/00010/00 .....	77
36801 .....	91
9001492 .....	57, 59, 79
9001493 .....	39, 41
9001494 .....	37, 39, 41
9001495 .....	77, 91
9001502 .....	39, 41, 91
Hose Vent	
9001510 .....	77, 79

---

## I

Injection Nozzle	
F8322001 .....	89
Inlet Valve Restrictor	
F200052400 .....	79
Inlet Valve Solenoid	
9001753 .....	79
Inlet Valve, 2-Way	
209/00316/00 .....	79
9001377 .....	77, 79

N/A items do not appear in index.

Insulating Sticker 229/00255/00 .....	53, 55
Interlock Coil Spring 9001554 .....	43
Interlock Lever 9001478 .....	43
Intermediate Fan Motor Plate 9001055 .....	33
Inverter 227/00224/00 .....	83
227/00238/00 .....	81
9001586 .....	83
Inverter Box Cover 9001061 .....	83
Inverter Drive Box 9001059 .....	83
9001060 .....	81
Inverter Fan 9002035 .....	81, 83
Inverter Kit F8421005 .....	81
F8421006 .....	81, 83
F8421007 .....	81
F8421008 .....	81
F8421009 .....	83
F8421011 .....	83
F8421012 .....	83
Inverter to Motor Harness 210/38729UL/15 .....	83

## K

Key F160562 .....	53
9001445 .....	29, 31
Kickplate 9001090 .....	63, 65, 67, 69, 71

## L

Latch 111/10310/03 .....	53
Left Front Panel 9001672 .....	63, 65
9001677 .....	67, 69, 71
Lever Spring 9001553 .....	43
Lid Lock F190802P .....	53
Lift-Off Hinge F190202P .....	89
F190205P .....	89
Light Microswitch 9001372 .....	43
Lip Seal B12332301 .....	25
Liquid Soap Dispenser Insert 9001511 .....	91
Liquid Soap Manifold 9001550 .....	77, 81, 83, 91
Lock Latch F606295 .....	53

Lock Shaft 9001468 .....	43
Logo Decal 9001890 .....	55
Lubricator 212/00002/00 .....	27

## M

Main Control 9002100 .....	55
9002100AR .....	53
9002100MA .....	53
Main Control Heat Harness 9001751 .....	95
Main Switch 9001387 .....	85
9001390 .....	85
9002089 .....	85
Main Switch Cover 9002088 .....	85
Micro to Connector Harness B12371101 .....	83
9001905 .....	81, 83
Motor B12510901 .....	33
9001576P .....	35
Motor Harness B12382103 .....	81
Motor Plate 9001029 .....	35
9001030 .....	33

## N

Neutral Terminal Block 9001388 .....	85
9001391 .....	85
Nipple F200001200 .....	95
Noise Filter 227/00242/00 .....	81, 83
9001590 .....	83
9001593 .....	81
Noise Suppressor 9001746 .....	57, 59
Nut F430218 .....	37
F431000 .....	89
F431005 .....	89
F431017 .....	53
F431024 .....	37, 89
F431028 .....	89
204/00008/00 .....	43, 55
204/00114/00 .....	77
9001249 .....	39, 41, 87
9001250 .....	57, 67, 69, 71
9001252 .....	35, 63, 65, 79, 81, 87
9001254 .....	19, 21, 37, 43, 63, 65, 67, 69, 71, 87
9001255 .....	13, 15, 17, 35
9001256 .....	13, 15, 17
9001257 .....	13, 15, 17, 33
9001258 .....	45, 47, 49

N/A items do not appear in index.

9001260	39, 41, 45, 47, 49, 63, 65, 67, 69, 71
9001261	83
9001262	19, 21, 63, 65, 67, 69, 71
9001264	19, 21, 33, 35
9001266	13, 15, 17, 19, 21, 23, 25, 27, 33, 35, 37
9001267	35, 71, 81, 83
9001268	33
9001269	53, 55
9001270	79
9001311	57, 59, 63, 65, 67, 87, 95
9001349	75

## O

O-Ring	
9001460	23
9001469	45, 47, 49
9001599	27
Outlet Pipe Plate Assembly	
9001037	39, 41, 63, 65, 67, 69, 71
Out-of-Balance Switch	
9001369	87
Out-of-Balance Switch Boot	
9001766	87
Out-of-Balance Switch Bracket	
9001056	87
Overflow Hose	
223/00131/00	39, 41
Overlay	
F8435601	55
9001561	53, 55
9001563	55
Overload Contactor	
9002021	61
9002022	61
9002023	61
9002024	61
9002025	61
9002026	61
9002027	61

## P

Parameter Unit Assembly	
F8410901	81, 83
9001011	81, 83
Pipe	
223/00370/00	37
Pipe Nipple	
70435601	95
Pressure Hose	
223/00333/00	57, 59, 61
9001531	81, 83
Pressure Switch	
9001351	57, 59, 61
Pressure Switch Cap	
9001932	61
Pressure Switch Elbow	
9001542	57, 59
Pressure Switch Hose Tee	
223/00173/10	57, 59, 61
Prewash and Mainwash Nozzle	
9001487	79

Printboard Separator	
211/00128/00	53
Programming Cable	
B12388303	53, 55
Programming Key	
9001756	53, 55
Programming Key Contact Switch	
9001378	53, 55
Pulley	
185/00086/00	33
212/00009/00	31
226/00148/00	29
226/00150/00	31
226/00152/00	35
239/00013/00	29, 31
9001570	33
9001574	35
9001629	31
Pulleys and Belt Kit	
967P3	29
Pushbutton	
44018801	53, 55
Push-Pull Knob	
F190101	89

## R

Rear Panel	
111/10308/00	73
9001045	75
9001046	75
Reducer	
F200001100	95
Restrictor Assembly	
F060334200	91
Retainer Ring	
9001440	23, 25, 27
9001452	23, 25
Right Front Panel	
9001671	63, 65
9001676	67, 69, 71
Right Side Panel	
111/10301/00	73
Rinse Insert	
9001506	91
Rivet	
9001346	53, 79, 85
Roller Bearing	
9001439	27, 31

## S

Screw	
B12347509	91
B12350903	81, 83
B12500801	49
F430903	89
F430909	89
F430927	37
F430939	37, 89
F430956	53
107/00136/00	77
201415	53

N/A items do not appear in index.

206/00056/00 .....	31, 35	Soap Dispenser Frame	
206/00104/00 .....	73	9001515 .....	75
206/00166/00 .....	69	Soap Dispenser Gasket	
207/00135/00 .....	43	9001522 .....	91
9001294 .....	33	Soap Dispenser Rinse Siphon	
9001302 .....	35	9001507 .....	91
9001313 .....	19, 21	Soap Harness	
9001323 .....	81	210/01304/07 .....	55
9001324 .....	43	Soap Injection PCB with Fuse	
9001325 .....	87	9001366 .....	79
9001326 .....	45, 47	Soap Spray Nozzle	
9001329 .....	35, 79	9001509 .....	91
9001330 .....	63, 65	Softener Spray Nozzle	
9001332 .....	63, 65, 67, 69, 71	9001508 .....	91
9001335 .....	31	Spacer	
9001341 .....	45, 47, 49	115/00151/00 .....	19, 21
9001657 .....	19, 21	211/00140/00 .....	53
9001661 .....	63, 65, 67, 69, 71	9001425 .....	55
9001670 .....	63, 65, 67, 69, 71	9001659 .....	55
9001675 .....	19, 21	Speed Detector	
9001697 .....	23, 25, 27	210/00074/00 .....	23, 25
9002087 .....	61	210/00075/00 .....	27
Seal Holder Assembly		Standoff	
9001117 .....	23	211/00147/00 .....	77
9001744 .....	27	9001429 .....	79
Seal Plate		Steam Hose	
9001116 .....	23	9001471 .....	95
9001133 .....	27	Steam Injector	
Seal Plate Assembly		9001118 .....	95
B12333701 .....	25	Steam Inlet	
Shaft Seal		9001107 .....	95
9001134 .....	31	Steam Kit	
9001482 .....	23	808P3 .....	95
Shipping Brace		Steam Valve Harness	
9001771 .....	9	F605220 .....	95
9001772 .....	11	Supply Deflector	
Shock Absorber		F200047800 .....	91
9001617 .....	13	Supply Dispenser Assembly	
9001617P .....	15, 17	F0637838-00 .....	89
Shock Absorber Bushing		Supply Dispenser Cover Assembly	
211/00137/10 .....	13	F0637833-00 .....	89
Shock Absorber Service Kit		Supply Dispenser Cup	
B12419101 .....	13, 15	F150368 .....	89
B12460901 .....	13, 17	F150369 .....	89
Side Panel		Supply Dispenser Hose	
9001135 .....	67, 69, 71, 75	F0200236-01 .....	37
9001142 .....	63, 65, 75	Supply Dispenser Lid Latch	
Side Panel Cover		F432223 .....	89
111/10316/00 .....	73	Supply Dispenser Mounting Bracket	
Siphon Break Dispenser Hose		F0609664-00 .....	89
9001673 .....	91	F0637866-00 .....	89
9001678 .....	91	Supply Dispenser Weldment	
Siphon Break Hose		F0637862-00 .....	89
B12322401 .....	91	Supply Hose	
B12322402 .....	91	F200171 .....	37
Siphon Tube		Support	
F150390 .....	89	B12418401 .....	15, 17
Soap Box Support Plate		B12455301 .....	17
9001044 .....	67	B12455401 .....	17
Soap Dispenser Assembly		Support Bracket	
223/00102/30 .....	91	B12456101 .....	71
Soap Dispenser Cover		B12456201 .....	71
9001514 .....	75	111/00207/11 .....	69
Soap Dispenser Cover Hinge Rod			
9001516 .....	75		

N/A items do not appear in index.



Support Connector 9001960 .....	61
Suspension Spring B12440101 .....	13
B12456301 .....	13, 15, 17
Switch Base 9001356 .....	53, 55
Switch Knob 9002072 .....	55
Switch Lever 217/00052/05 .....	43

## T

Tee 223/00369/00 .....	37
Terminal Block 9001354 .....	79
Thermostat 210/01064/16 .....	57
9001669 .....	59, 61
Thermostat Seal 225/10004/00 .....	57, 59, 61
Threaded Rod B12511601 .....	15, 17
Tilt Detector Plate B12485001 .....	87
Tilt Switch Bracket 9001041 .....	87
Top Panel 111/10304/00 .....	73
9001067 .....	75
9001145 .....	75
T-Piece 253/00006/00 .....	41
Transformer 9001986 .....	81, 83
Trim 211/00143/00 .....	53
Tub B12330101 .....	19, 21
B12330201 .....	19, 21
B12330301 .....	19, 21
B12330501 .....	19, 21
B12330601 .....	19, 21
119/00213/11 .....	19, 21, 37
9001124 .....	19, 21
Tub Clamp Ring 9001603 .....	19, 21
Tub Front 9001139 .....	19, 21
Tub Front Mounting Strap 115/00161/00 .....	19, 21
Tub Front Panel Clip 9001464 .....	19, 21
Tub Front Panel Gasket 223/00242/40 .....	19, 21
Tub Front Ring Clamp 9001598 .....	19, 21
Tub Mount Rings Bracket 115/00125/00 .....	19, 21
Tub Mounting Strap 9001138 .....	19, 21

Tub Strap 9001132 .....	19, 21
Tub Support 9001016 .....	11
9001025 .....	9
Tub Tightening Ring 115/00162/00 .....	19, 21
115/00163/00 .....	19, 21

## V

Valve, 3-Way F0381737-00 .....	77
V-Belt 9001575 .....	31
Vent Hose 9001521 .....	91
Voltage Discharge Decal B12355001 .....	81, 83

## W

Warning Label 44127701 .....	37
Washer B12421401 .....	69
B12522101 .....	19
F430322 .....	89
F431105 .....	89
F431106 .....	89
F431123 .....	53
F431133 .....	89
F431137 .....	89
F431147 .....	37, 89
M400080 .....	37
201/00202/00 .....	27
20290 .....	79
202/00101/00 .....	37
202/00111/00 .....	45, 47, 49
202/00124/00 .....	43
803615 .....	79
9001208 .....	15, 17, 21, 23, 25, 27, 35
9001209 .....	33, 79
9001211 .....	33, 35
9001213 .....	43, 67, 69, 71
9001214 .....	19, 21
9001216 .....	15, 17, 19, 21, 63, 65, 67, 69, 71, 87
9001217 .....	29, 31
9001221 .....	43
9001222 .....	43
9001223 .....	13
9001225 .....	23, 25
9001227 .....	39, 41
9001229 .....	63, 65, 71, 79, 81, 85
9001230 .....	43, 45, 47, 49, 59, 87
9001232 .....	45, 47, 49
9001233 .....	19, 21
9001236 .....	63, 65, 67, 69, 71
9001238 .....	29, 31
9001239 .....	35
9001240 .....	27, 39, 41, 87
9001241 .....	23, 25, 39, 41, 57, 63, 65, 67, 69, 71
9001242 .....	81, 83
9001243 .....	35, 63, 65, 79, 81, 83, 85, 87
9001244 .....	43, 55

N/A items do not appear in index.

9001245 .....	45, 47, 49
9001523 .....	53, 55
Water Hose	
F200107P .....	77
F200164 .....	79
F200166 .....	79
223/00059/00 .....	77
9001498 .....	77, 79
9001499 .....	91
9001500 .....	79, 91
Water Level Switch	
209/00029/00 .....	61
Water Valve Adapter	
223/00050/01 .....	79

---