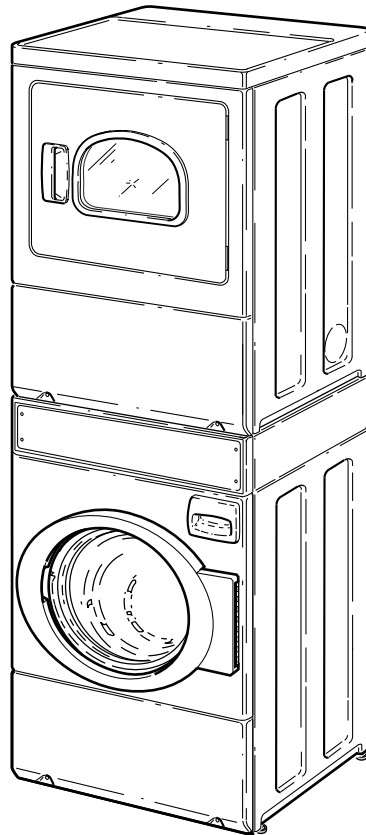


# Homestyle Stacked Washer/Dryer

Refer to Page 3 for Model Numbers



SWD452C\_802847



# Table of Contents

Title	Page
Parts Ordering Information.....	2
Nameplate Location .....	2
Model Identification .....	3
Control Cabinet and Controls.....	4
Control Panel and Controls .....	6
Washer Front Panel, Door Assembly and Door Seal.....	8
Dispenser Assembly .....	10
Mixing Valve, Valve-to-Dispenser Inlet Hose and Fill Hose .....	12
Outer Tub, Front and Clamp Ring.....	14
Inner Basket, Trunnion, Bearing Housing and Pulley .....	16
Washer Motor and Belt .....	18
Drain Hose and Pump.....	20
Washer Base, Panels and Rear Panel .....	22
Junction Box .....	24
Wire Ties and Harness Clips .....	26
Dryer Loading Door with Window .....	28
Dryer Access Panel, Front Panel and Seal.....	30
Dryer Motor, Exhaust Fan and Belt.....	32
Front Bulkhead, Air Duct, Felt Seal and Cylinder .....	34
Rear Bulkhead, Felt Seal, Cylinder Roller and Terminal Block.....	36
Heater Duct and Element Assembly .....	38
Heater Duct Assembly .....	40
Gas Valve, Igniter and Gas Conversion Kits.....	42
Burner Orifice Spuds - For Higher Elevations (Drawing 1 of 2) .....	44
Burner Orifice Spuds - For Higher Elevations (Drawing 2 of 2) .....	46
Dryer Cabinet, Exhaust Duct and Base .....	48
Power Cord .....	50
Dryer Motor Connection Block, Terminal Extractor Tools .....	52
Shipping Materials .....	54
Special Tools .....	56
Labels .....	58
Wire Harnesses and Wires .....	60
Parts Index.....	63

© Copyright 2012, Alliance Laundry Systems LLC

All rights reserved. No part of the contents of this book may be reproduced or transmitted in any form or by any means without the expressed written consent of the publisher.

## Parts Ordering Information

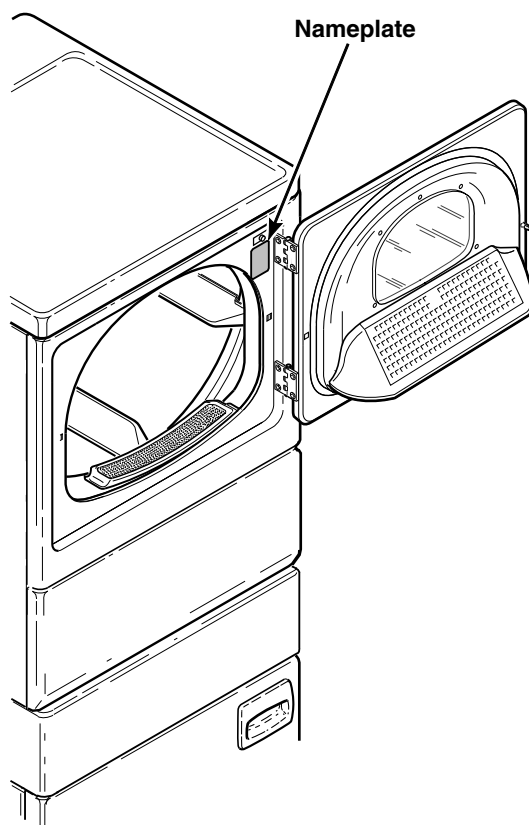
If literature or replacement parts are required, contact the source from whom the machine was purchased or contact Alliance Laundry Systems at (920) 748-3950 for the name and address of the nearest authorized parts distributor.

For technical assistance, call either of the numbers listed below:

(920) 748-3121 Ripon, Wisconsin  
+32 56 41 20 54 Wevelgem, Belgium

## Nameplate Location

When calling or writing about your product, be sure to mention model and serial numbers. Model and serial numbers are located on nameplate(s) as shown.



SWD1199P\_802847

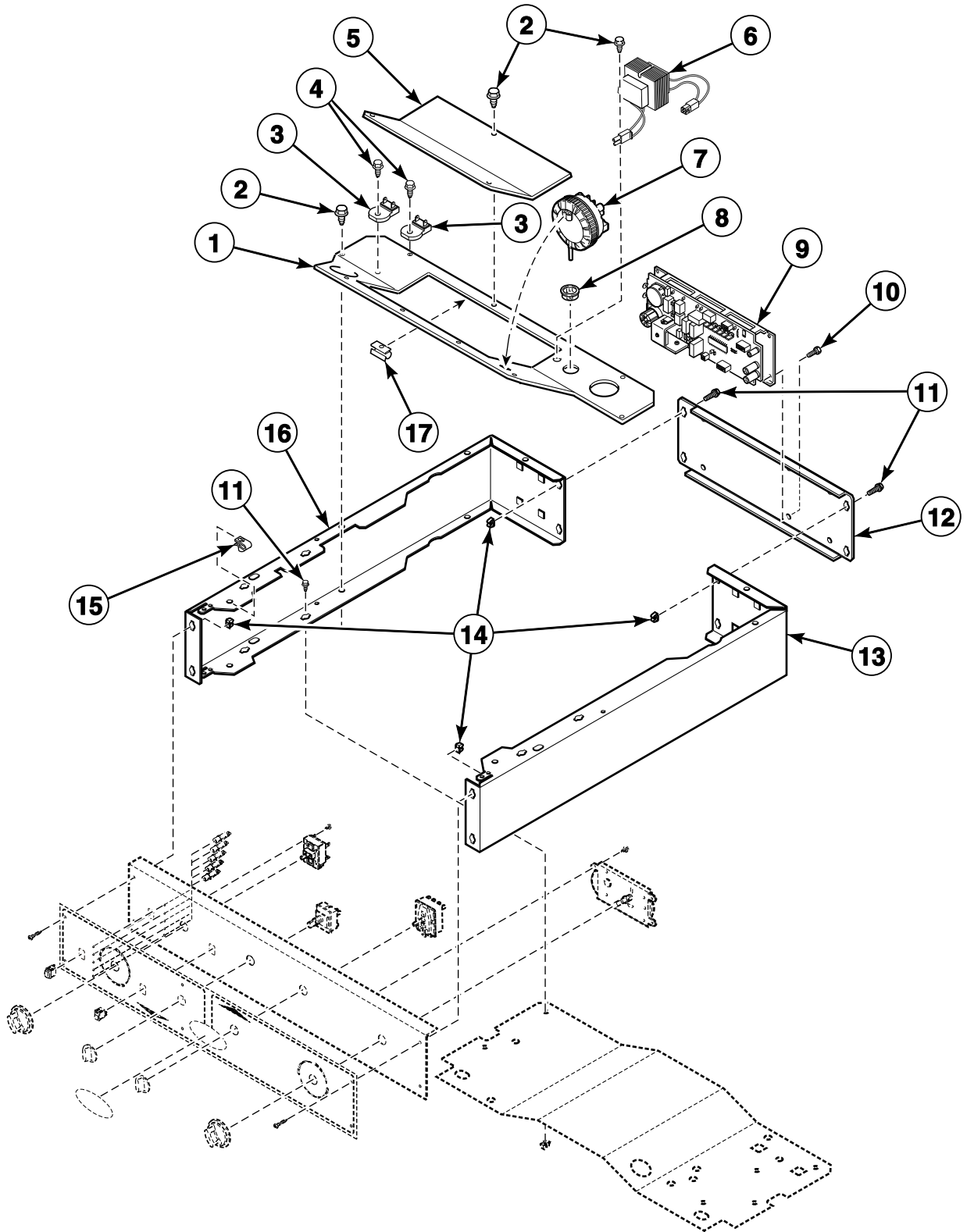
## Model Identification

Information in this manual is applicable to these stacked washer/dryer models:

ATE50FWP431AW01  
ATG50FWP301AW01  
BTE50FSP171TW01  
BTE50FSP281CW01  
BTG50FSP091CW01  
BTG50FSP111TW01  
FTE50FSP301NW01  
FTE50FSP301NW10  
FTG50FSP301NW10  
LTE50FGP541NW23  
LTKA6A\*N4350  
LTL50FGP541NW23  
L TSA7A\*N  
L TSA7A\*N1500  
L TSA7A\*N2989  
L TSA7A\*N3000  
L TSA7A\*N3300  
L TSA7A\*N4350  
L TSA9A\*N  
L TSA9A\*N1180  
L TSA9A\*N3000  
L TSA9A\*N3060  
L TUA7A\*N  
L TUA7A\*N2802  
L TUA9A\*N  
L TZA7A\*N  
L TZA7A\*N2802  
L TZA9A\*N  
L TZA9A\*N0902  
UTE50FSP171TW08  
UTG50FSP111TW08

\* Add Letter To Designate Color. Q - Bisque W - White

# Control Cabinet and Controls



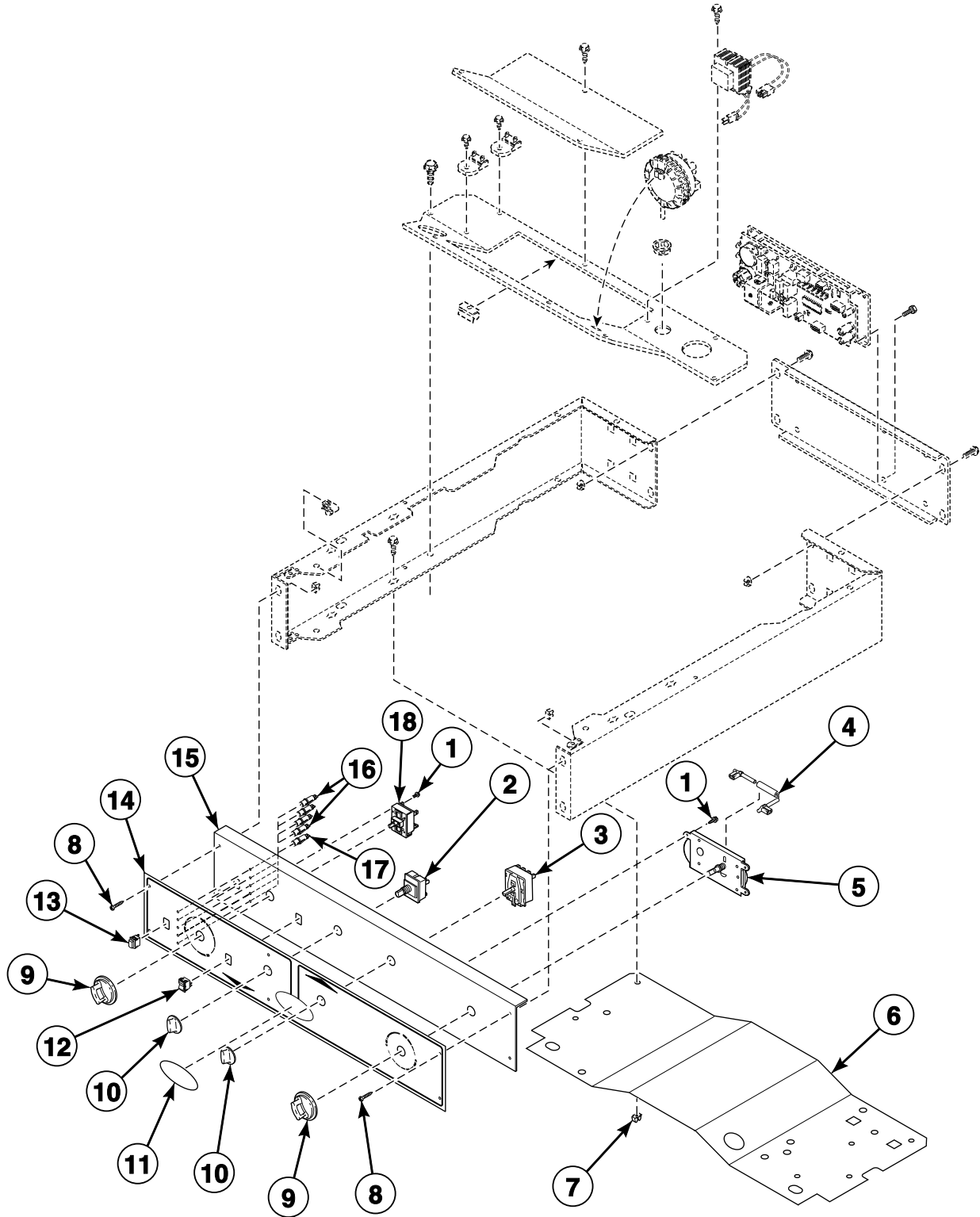
SWD1189P\_802847

# Control Cabinet and Controls

REF	PART NO.	DESCRIPTION	COMMENTS
1	801372	Control Shield	Uses service door
	801371	Control Shield	No service door
2	503661	Screw	
3	210100	Resistor	Models ATE50FWP431AW01, ATG50FWP301AW01, FTE50FSP301NW01, FTE50FSP301NW10, FTG50FSP301NW10, LTE50FGP541NW23, LTKA6A*N4350, LTL50FGP541NW23, LTSA7A*N3000, LTSA7A*N3300, LTSA7A*N4350, LTSA9A*N3000 and LTSA9A*N3060
4	503688	Screw	
5	801373	Control Access Door	
6	803527P	Transformer	Models ATE50FWP431AW01, ATG50FWP301AW01, FTE50FSP301NW01, FTE50FSP301NW10, FTG50FSP301NW10, LTE50FGP541NW23, LTKA6A*N4350, LTL50FGP541NW23, LTSA7A*N3000, LTSA7A*N3300, LTSA7A*N4350, LTSA9A*N3000 and LTSA9A*N3060
	210018P	Transformer	All other models
7	802299P	Pressure Switch	
8	M402542	Snap Bushing	
9	804118	Control Assembly	Models ATE50FWP431AW01 and ATG50FWP301AW01 starting Serial No. beginning 1207
	802523P	Control Assembly	Models ATE50FWP431AW01 and ATG50FWP301AW01 through Serial No. beginning 1207; All other models
	804212	Jumper Configuration Assembly	Attaches to H7 on control; Models ATE50FWP431AW01 and ATG50FWP301AW01 starting Serial No. beginning 1207
	801333	Jumper Assembly	Attaches to H7 on control; Models ATE50FWP431AW01 and ATG50FWP301AW01 through Serial No. beginning 1207; All other models
10	501524	Screw	
11	430497	Screw	
12	801058	Rear Control Cabinet	
13	800915W	Right Control Cabinet Side	White
	800915Q	Right Control Cabinet Side	Bisque
14	70030501	Expansion Clip	
15	800931	Nut	
16	800900WP	Left Control Cabinet Side	White
	800900QP	Left Control Cabinet Side	Bisque
17	36985	Hose Clip	

\* Add Letter To Designate Color. Q - Bisque W - White

# Control Panel and Controls



SWD1218P\_802847

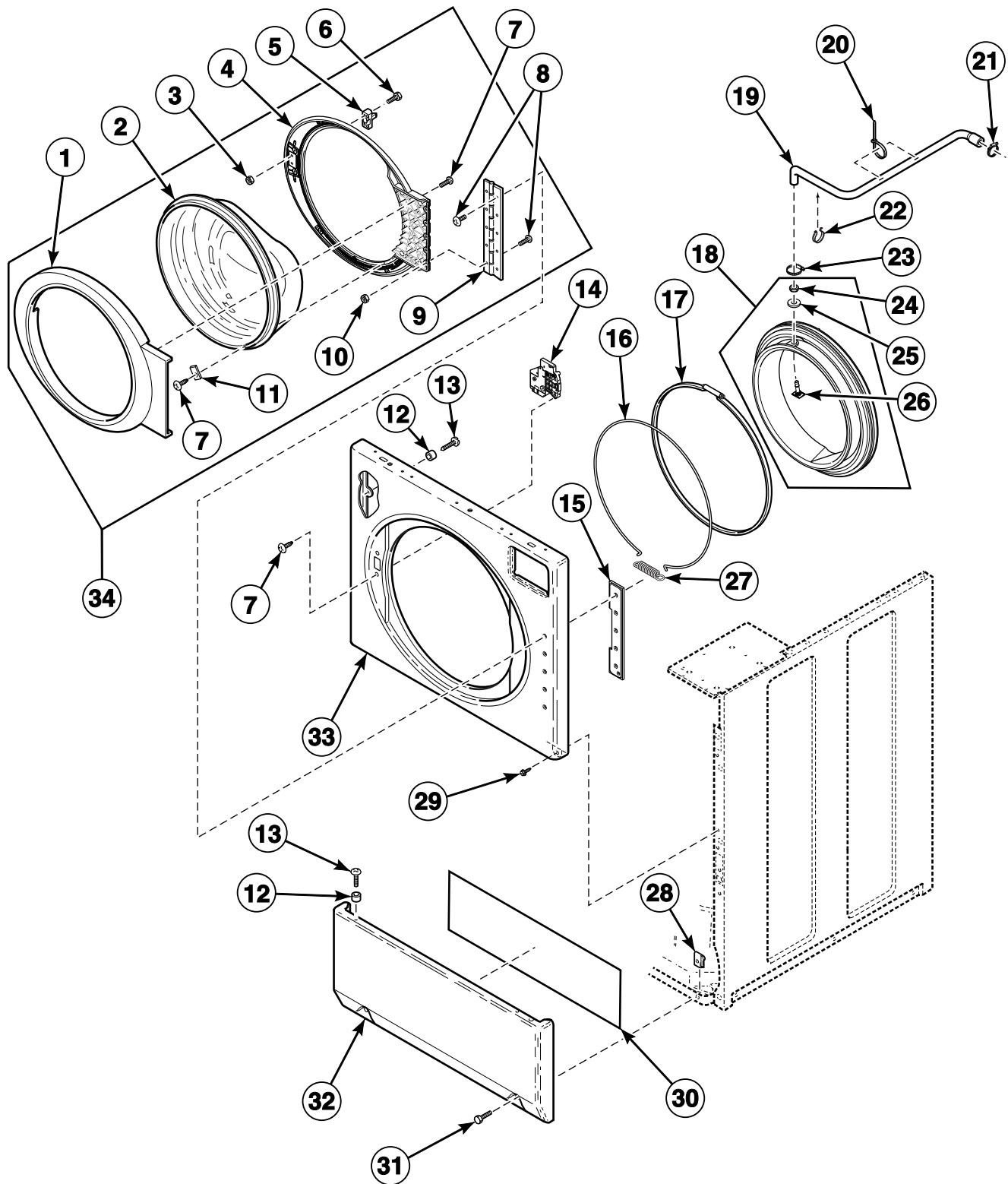


## Control Panel and Controls

REF	PART NO.	DESCRIPTION	COMMENTS
1	501086	Screw	
2	35117	Temperature Switch	Washer; Model LTKA6A*N4350
	687542	Temperature Switch	Washer; All other models
3	513505	Fabric Selector Switch	Dryer
4	511277	Resistor Assembly	Use with 505797 Timer; Models BTE50FSP171TW01, BTE50FSP281CW01, LTSA7A*N, LTSA7A*N1500, LTSA7A*N2989, LTUA7A*N, LTUA7A*N2802, LTZA7A*N, LTZA7A*N2802 and UTE50FSP171TW08
5	505797P	Timer and Harness Kit	Models BTE50FSP171TW01, BTE50FSP281CW01, LTSA7A*N, LTSA7A*N1500, LTSA7A*N2989, LTUA7A*N, LTUA7A*N2802, LTZA7A*N, LTZA7A*N2802 and UTE50FSP171TW08
	505794P	Timer	Models BTG50FSP091CW01, BTG50FSP111TW01, LTSA9A*N, LTSA9A*N1180, LTUA9A*N, LTZA9A*N, LTZA9A*N0902 and UTG50FSP111TW08
	505795P	Timer	Models ATE50FWP431AW01, ATG50FWP301AW01, FTE50FSP301NW01, FTE50FSP301NW10, FTG50FSP301NW10, LTSA7A*N3000, LTSA7A*N4350, LTSA9A*N3000 and LTSA9A*N3060
	505796P	Timer	Models LTE50FGP541NW23, LTL50FGP541NW23 and LTSA7A*N3300
	502964P	Timer	Model LTKA6A*N4350
6	801777	Control Cabinet Bottom	
7	70030501	Expansion Clip	
8	800930	Screw	
9	803118P	Timer Knob Assembly	Models ATE50FWP431AW01 and ATG50FWP301AW01
	512117W	Timer Knob Assembly	White; All other models
	512117Q	Timer Knob Assembly	Bisque; All other models
10	803119P	Control Knob Assembly	Models ATE50FWP431AW01 and ATG50FWP301AW01
	36701W	Knob Assembly	White; All other models
	36701Q	Knob Assembly	Bisque; All other models
11	800922	Domed Label	Models LTZA7A*N, LTZA7A*N2802, LTZA9A*N and LTZA9A*N0902
	800921	Domed Label	Models LTE50FGP541NW23, LTL50FGP541NW23, LTSA7A*N, LTSA7A*N1500, LTSA7A*N2989, LTSA7A*N3000, LTSA7A*N3300, LTSA7A*N4350, LTSA9A*N, LTSA9A*N1180, LTSA9A*N3000 and LTSA9A*N3060
	800923	Domed Label	Models LTUA7A*N, LTUA7A*N2802, LTUA9A*N, UTE50FSP171TW08 and UTG50FSP111TW08
	202128	Domed Label	Models BTE50FSP171TW01, BTE50FSP281CW01, BTG50FSP091CW01 and BTG50FSP111TW01
12	38424W	Rocker Switch	White; Extra rinse
	38424Q	Rocker Switch	Bisque; Extra rinse
13	801434W	Push-to-Start Switch	White
	801434Q	Push-to-Start Switch	Bisque
14	802099	Graphic Overlay	Model LTKA6A*N4350
	803362	Graphic Overlay	Models ATE50FWP431AW01 and ATG50FWP301AW01
	801142	Graphic Overlay	All other models
15	802101W	Control Panel Assembly	
16	801431	Light	Green
17	801432	Light	Red; Model LTKA6A*N4350
18	801240	Cycle Switch	Washer

\* Add Letter To Designate Color. Q - Bisque W - White

# Washer Front Panel, Door Assembly and Door Seal

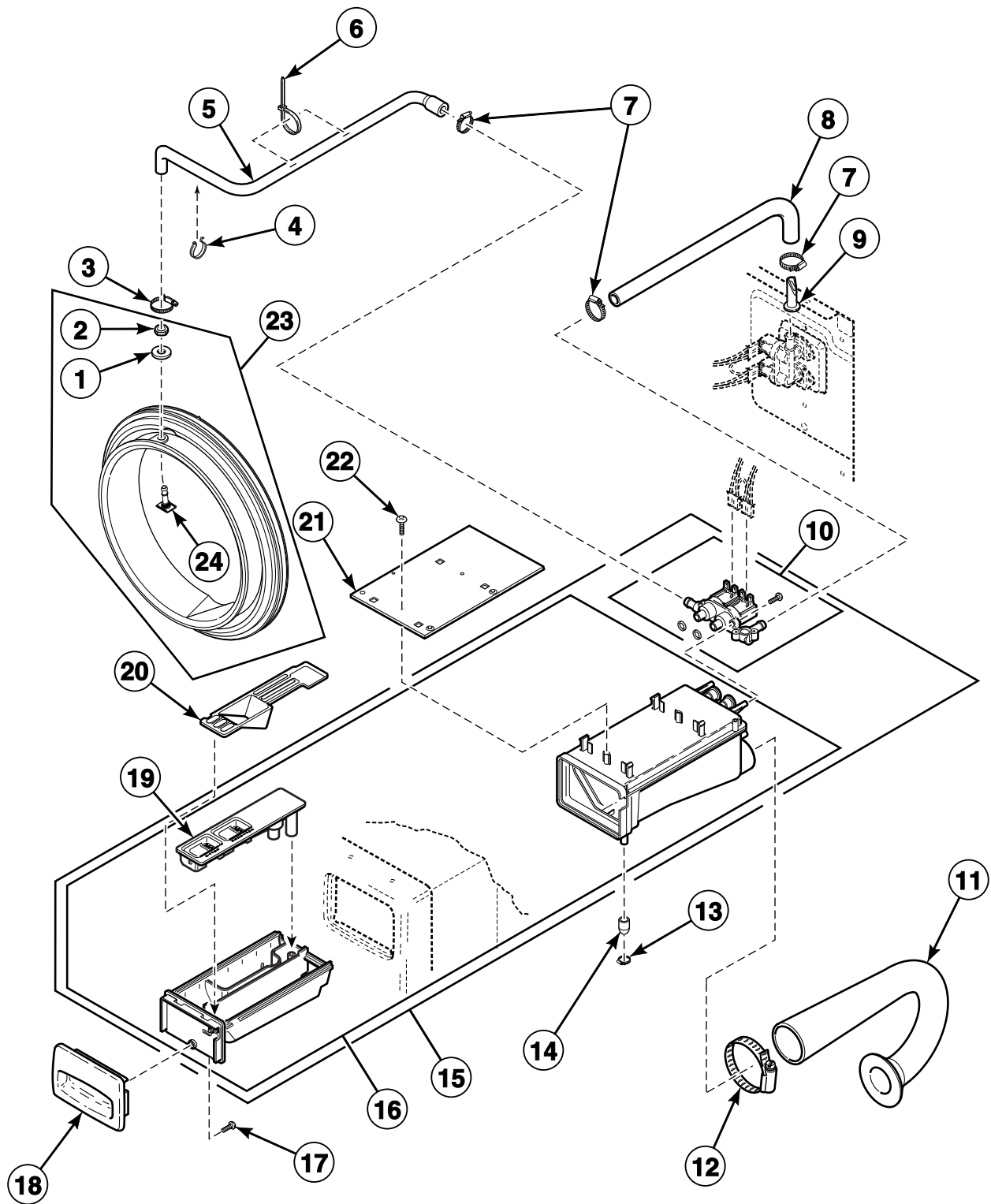


FLW938P\_802847

## Washer Front Panel, Door Assembly and Door Seal

REF	PART NO.	DESCRIPTION	COMMENTS
1	802616WP	Outer Bezel Assembly	Models ATE50FWP431AW01 and ATG50FWP301AW01
	802313WP	Outer Door Bezel Kit	White; All other models
	802313QP	Outer Door Bezel Kit	Bisque; All other models
2	802695P	Door Glass	
3	685846	Nut	
4	802307P	Inner Door Bezel Kit	
5	802803	Door Catch Assembly	
6	801993	Screw	
7	800548	Screw	
8	801019	Screw	
9	802934	Door Hinge	
10	23951	Nut	
11	802700	Glass Mounting Clip	
12	56079	Panel Locator	
13	39733	Screw	
14	802317P	Door Latch/Switch Assembly	
15	802206	Hinge Plate	
16	802283	Wire Clamp Ring	
17	802281	Hose Clamp	Door seal to outer tub front
18	802866P	Door Seal Assembly	Black; Includes items 24-26
	802830P	Door Seal Kit	Gray; Includes items 24-26
19	802256	Dispenser-to-Door Seal Hose	
20	55881	Harness Strap	
21	802164	Hose Clamp	
22	687500	Wire Clip	
23	802698	Hose Clamp	
24	802292	Nut	
25	802293	Washer	
26	802291	Boot Nozzle	
27	802285	Extension Spring	
28	36020	Nut	
29	503661	Screw	
30	685368	Access Panel Damper	
31	801045	Screw	
32	510069WP	Access Panel	White
	510069QP	Access Panel	Bisque
33	802277WP	Front Panel	White
	802277QP	Front Panel	Bisque
34	802617WP	Door Assembly	Includes items 1-11; Models ATE50FWP431AW01 and ATG50FWP301AW01
	802368WP	Door Assembly	White; Includes items 1-11; All other models
	802368QP	Door Assembly	Bisque; Includes items 1-11; All other models

# Dispenser Assembly



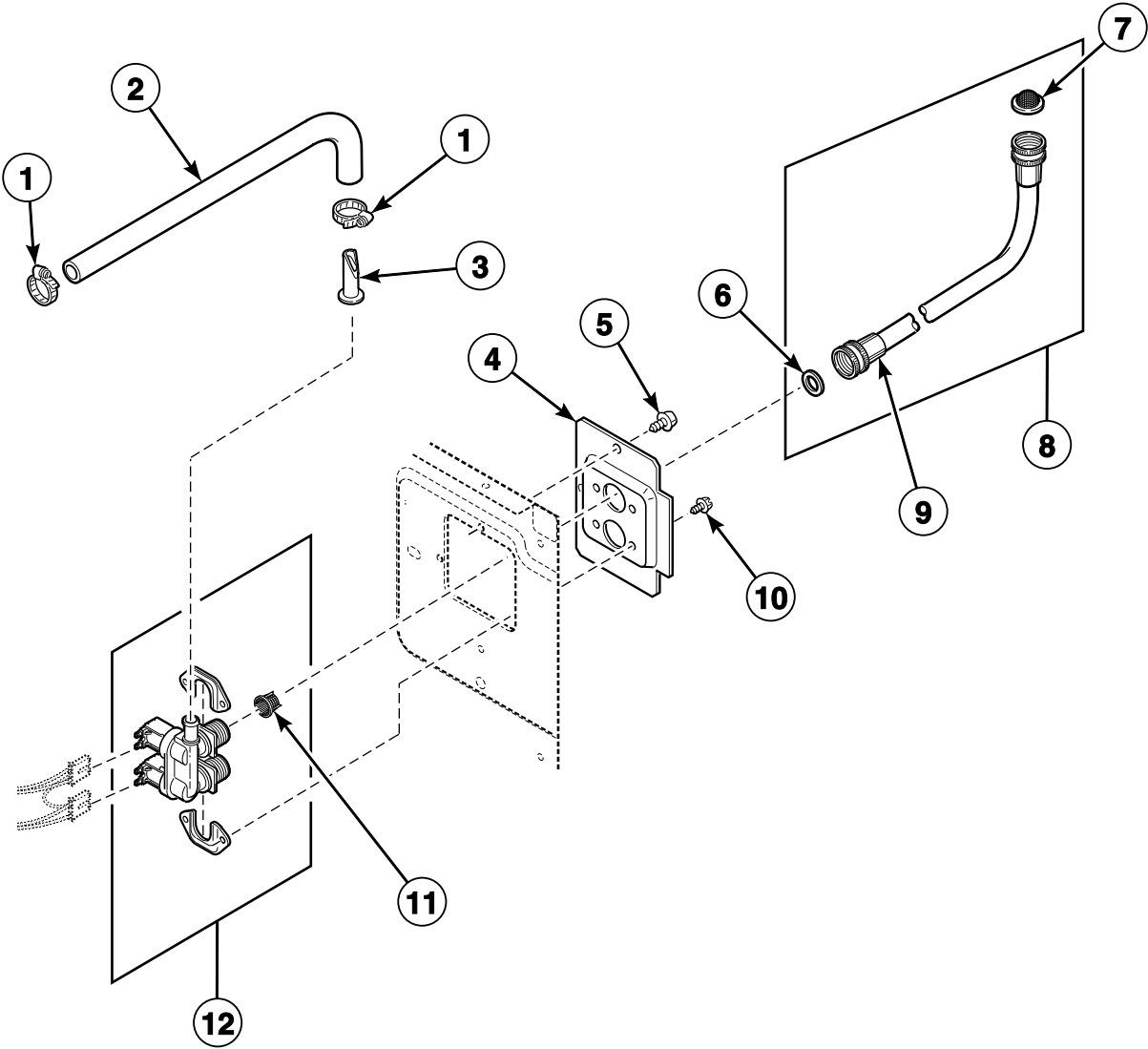
FLW940P\_802847

# Dispenser Assembly

REF	PART NO.	DESCRIPTION	COMMENTS
1	802293	Washer	
2	802292	Nut	
3	802698	Hose Clamp	
4	687500	Wire Clip	
5	802256	Dispenser-to-Door Seal Hose	
6	55881	Harness Strap	
7	802164	Hose Clamp	
8	801464	Valve-to-Dispenser Inlet Hose	
9	34500	Backflow Preventer	
10	801836P	Valve Kit	Models ATE50FWP431AW01, ATG50FWP301AW01, FTE50FSP301NW01, FTE50FSP301NW10, FTG50FSP301NW10, LTE50FGP541NW23, LTKA6A*N4350, LTL50FGP541NW23, LTSA7A*N3000, LTSA7A*N3300, LTSA7A*N4350, LTSA9A*N3000 and LTSA9A*N3060
	685766P	Valve Kit	All other models
11	800331	Dispenser-to-Tub Hose	
12	685725	Hose Clamp	
13	F200206	Hose Clamp	
14	801746	Cap	
15	801090P	Dispenser	Includes items 10, 16 and 19; Models ATE50FWP431AW01, ATG50FWP301AW01, FTE50FSP301NW01, FTE50FSP301NW10, FTG50FSP301NW10, LTE50FGP541NW23, LTKA6A*N4350, LTL50FGP541NW23, LTSA7A*N3000, LTSA7A*N3300, LTSA7A*N4350, LTSA9A*N3000 and LTSA9A*N3060
	685756P	Dispenser	Includes items 10, 16 and 19; All other models
16	801476P	Dispenser Assembly	Includes item 19 and drawer
17	800548	Screw	
18	685715WP	Dispenser Drawer Front	White
	685715Q	Dispenser Drawer Front	Bisque
19	685716	Insert	
20	800899	Detergent Cover	
21	801024	Dispenser Plate	
22	801001	Screw	
23	802866P	Door Seal Assembly	Black; Includes items 1, 2 and 24
	802830P	Door Seal Kit	Gray; Includes items 1, 2 and 24
24	802291	Boot Nozzle	

\* Add Letter To Designate Color. Q - Bisque W - White

# Mixing Valve, Valve-to-Dispenser Inlet Hose and Fill Hose



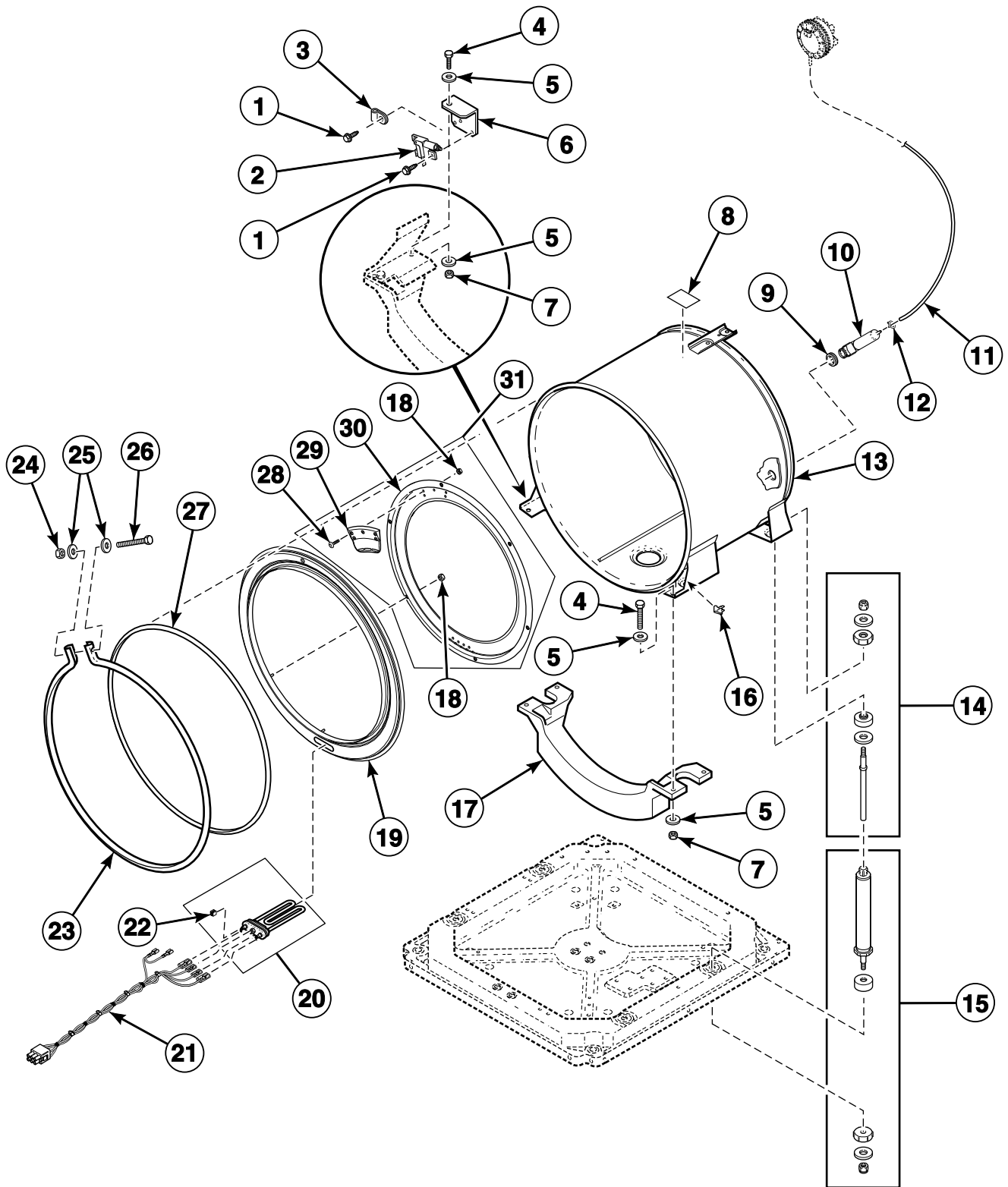
FLW881P\_802847

# Mixing Valve, Valve-to-Dispenser Inlet Hose and Fill Hose

REF	PART NO.	DESCRIPTION	COMMENTS
1	802164	Hose Clamp	
2	801464	Valve-to-Dispenser Inlet Hose	
3	34500	Backflow Preventer	
4	800323	Mixing Valve Plate	
5	503661	Screw	
6	20290	Washer	
7	803615	Washer	Filter screen
	802254	Washer	Flow restrictor; Water pressure reducer; Available for water pressure up to but not exceeding 120 psi
8	F200116	Water Hose	5 feet; Hose is equipped with 2 standard hose couplings; Includes 1 each of items 6 and 7
	38349P	Fill Hose Kit	5 feet; Hose is equipped with 1 metric and 1 standard hose coupling; Includes 2 of item 6
9	20617	Fill Hose	8 feet; Hose is equipped with 2 standard hose couplings
	20618	Fill Hose	10 feet; Hose is equipped with 2 standard hose couplings
	37380	Fill Hose	8 feet; Hose is equipped with 1 metric and 1 standard hose coupling
	37381	Fill Hose	10 feet; Hose is equipped with 1 metric and 1 standard hose coupling
10	501086	Screw	
11	802926	Mixing Valve Screen	
12	802222P	Mixing Valve	Models ATE50FWP431AW01, ATG50FWP301AW01, FTE50FSP301NW01, FTE50FSP301NW10, FTG50FSP301NW10, LTE50FGP541NW23, LTKA6A*N4350, LTL50FGP541NW23, LTSA7A*N3000, LTSA7A*N3300, LTSA7A*N4350, LTSA9A*N3000 and LTSA9A*N3060
	802220P	Mixing Valve	All other models

\* Add Letter To Designate Color. Q - Bisque W - White

# Outer Tub, Front and Clamp Ring



SWD1254P\_802847

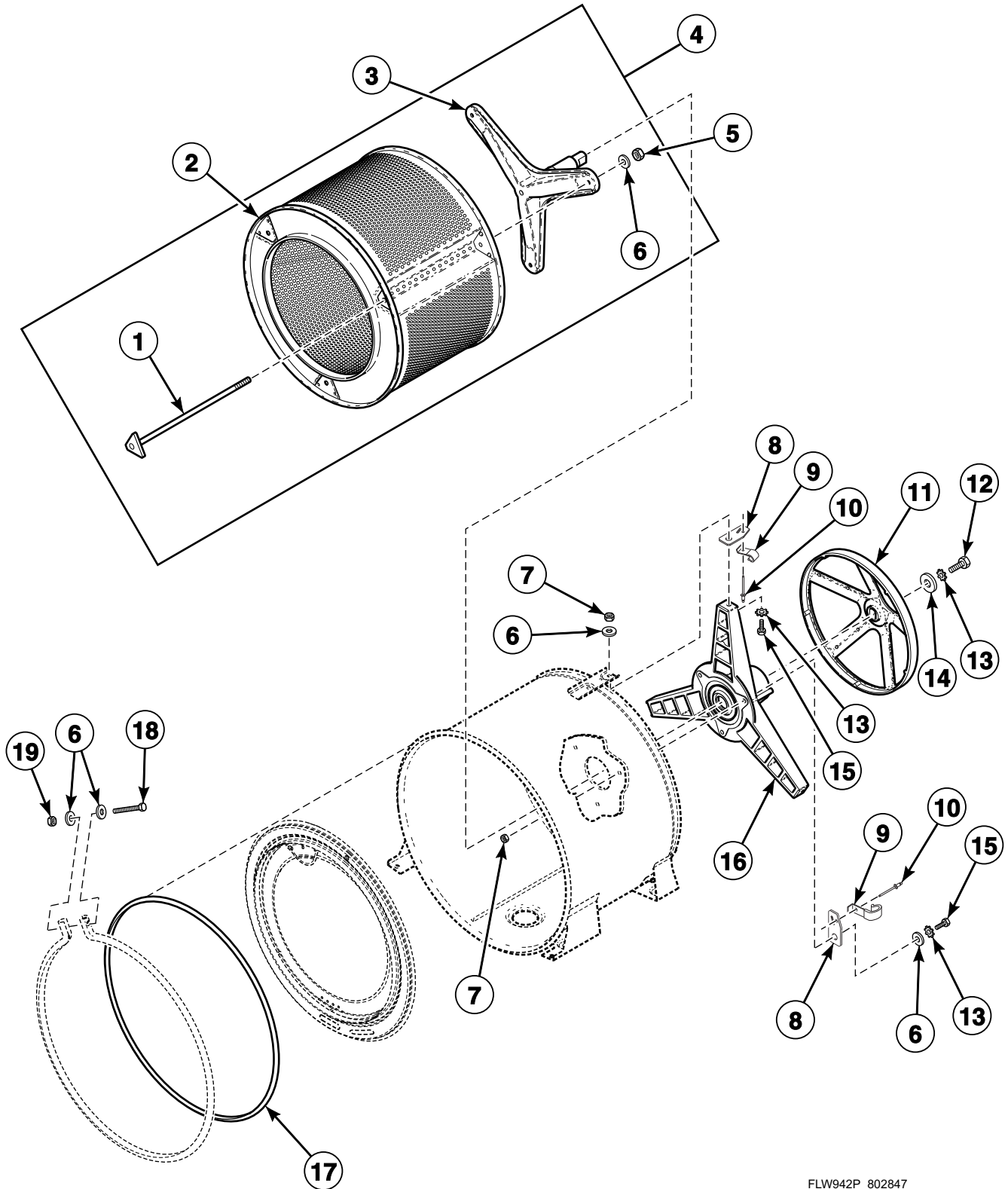


## Outer Tub, Front and Clamp Ring

REF	PART NO.	DESCRIPTION	COMMENTS
1	503661	Screw	
2	801006	Out-of-Balance Switch Assembly	Models through Serial No. 1201004551
	803415	Out-of-Balance Switch Assembly	Models starting Serial No. 1201004552
3	800811	Wire Clamp	
4	800461	Screw	
5	M400081	Washer	
6	800663	Switch Mounting Bracket	Models through Serial No. 1201004551
	803388	Switch Mounting Bracket	Models starting Serial No. 1201004552
7	800452	Nut	
8	500314	Warning Label	Models BTE50FSP281CW01, BTG50FSP091CW01, LTUA7A*N2802, LTZA7A*N2802 and LTZA9A*N0902
	F8211201	Electrical Shock Label	Models FTE50FSP301NW01, FTE50FSP301NW10, FTG50FSP301NW10, LTSA7A*N3000, LTSA7A*N3300 and LTSA9A*N3000
	F8211301	Pinched Fingers Label	Models FTE50FSP301NW01, FTE50FSP301NW10, FTG50FSP301NW10, LTSA7A*N3000, LTSA7A*N3300 and LTSA9A*N3000
	500049	Warning Label	All other models
9	29175	Grommet	
10	30907	Pressure Bulb	
11	800648P	Tubing	
12	39282	Hose Clamp	
13	801291	Outer Tub Assembly	Model LTKA6A*N4350
	801081P	Outer Tub Assembly	All other models
14	800622P	Tub Shock Absorber Kit	Upper
15	802881P	Base Shock Absorber Kit	Lower; Must replace all four
16	00161	Grounding Clip	
17	800205	Ballast Weight	
18	802343	Nut	
19	802259	Tub Front Assembly	Model LTKA6A*N4350
	802258	Tub Front Assembly	All other models
20	803557P	Heating Element Kit	Model LTKA6A*N4350; Includes item 22
21	802322P	Heater Harness Assembly	Model LTKA6A*N4350
22	803256	Thermistor	Model LTKA6A*N4350
23	800312	Clamp Ring	
24	F430218	Nut	
25	800457	Washer	
26	800462	Screw	
27	800432P	Tub Front Seal	
28	802596	Screw	
29	803038P	Clothes Guard Deflector	
30	803537	Clothes Guard	
31	984P3	Clothes Guard and Deflector Kit	Includes items 7, 18 and 25-30

\* Add Letter To Designate Color. Q - Bisque W - White

# Inner Basket, Trunnion, Bearing Housing and Pulley

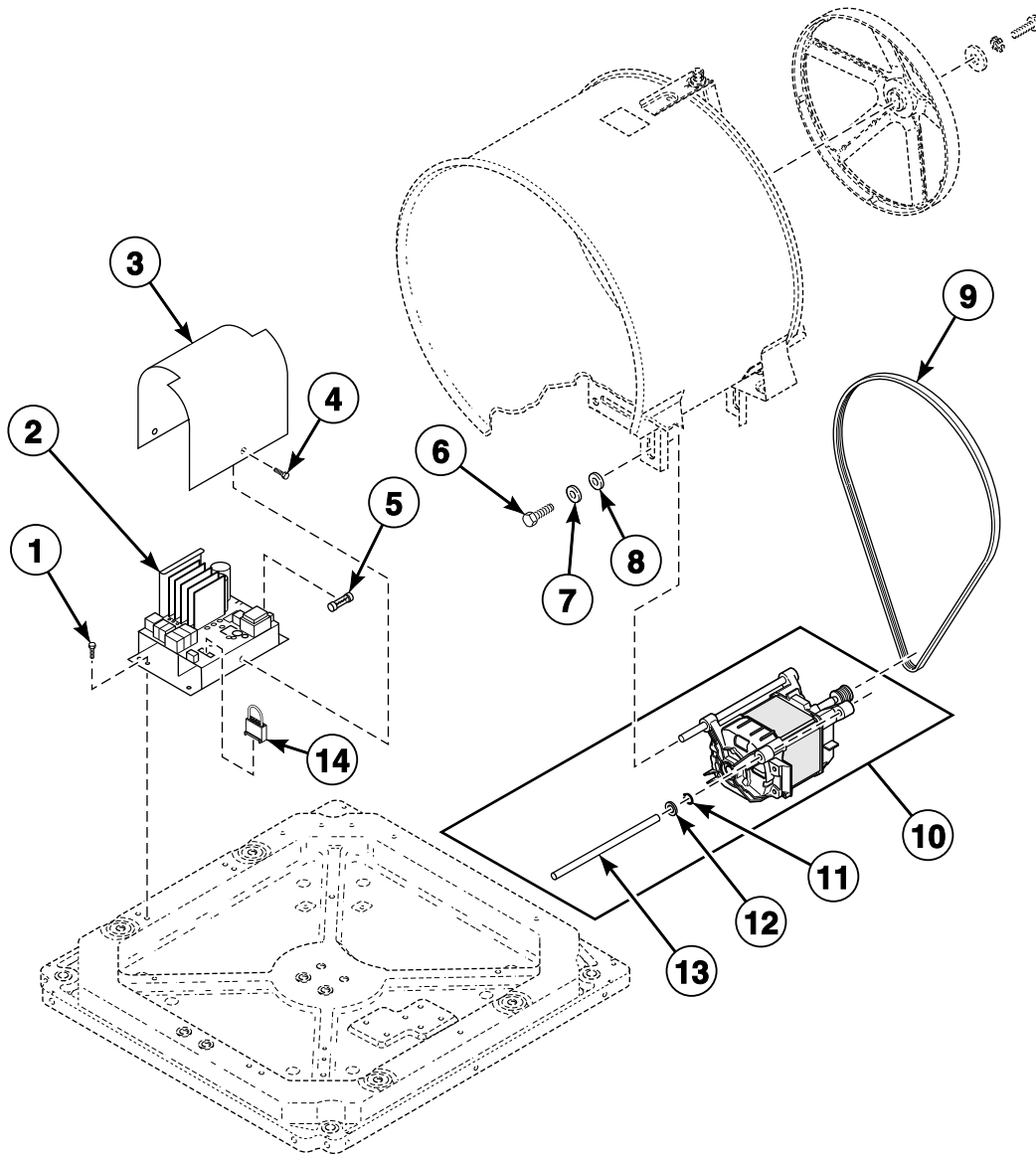


FLW942P\_802847

## Inner Basket, Trunnion, Bearing Housing and Pulley

REF	PART NO.	DESCRIPTION	COMMENTS
	27604P	Anti-Seize Compound	Pulley to inner basket shaft
	838P3	Hardware Kit	Includes (8) of item 6, (6) of item 13, (6) of item 10, (1) each of items 12, 14, 17, 18, 19 and 27604P Anti-Seize Compound
	RB160001	Bearing Kit	
1	800666	Tension Rod Assembly	
2	803008P	Inner Basket Assembly	
3	800749P	Trunnion Shaft and Hardware Kit	Includes (3) each of items 1, 5, 6, and 838P3 Hardware Kit
4	802365P	Inner Basket Assembly	
5	803017	Nut	
6	800457	Washer	
7	800452	Nut	
8	800552	Hose Mounting Plate	
9	800553	Hose Clip	
10	685847	Pop Rivet	
11	800866	Driven Pulley	
12	685831	Screw	Left hand thread
13	M403958	Washer	
14	800464	Washer	
15	M400043	Screw	
16	800428P	Bearing Housing Kit	Includes 838P3 Hardware Kit
17	800432P	Tub Front Seal	
18	800462	Screw	
19	F430218	Nut	

# Washer Motor and Belt



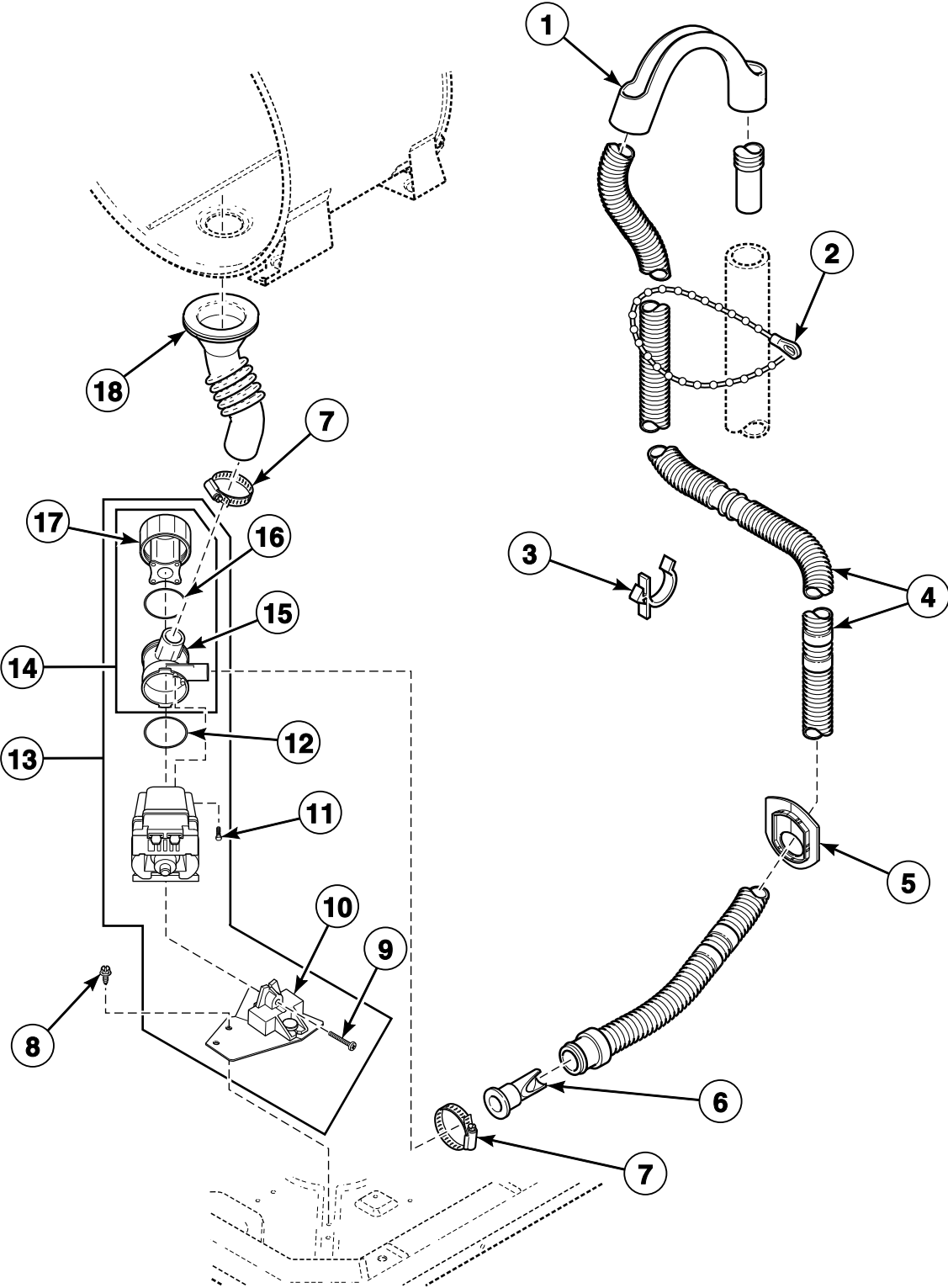
FLW1022P\_802847

# Washer Motor and Belt

REF	PART NO.	DESCRIPTION	COMMENTS
1	503661	Screw	
2	803255P	Inverter Control Assembly	240 Volt; Models ATE50FWP431AW01, ATG50FWP301AW01, FTE50FSP301NW01, FTE50FSP301NW10, FTG50FSP301NW10, LTE50FGP541NW23, LTKA6A*N4350, LTL50FGP541NW23, LTSA7A*N3000, LTSA7A*N3300, LTSA7A*N4350, LTSA9A*N3000 and LTSA9A*N3060
	803254P	Inverter Control Assembly	120 Volt; All other models
3	801061	Control Shield	
4	501524	Screw	
5	801755	Fuse	10 Amp; Slow blow
6	M400057	Screw	
7	02834	Washer	
8	M400080	Washer	
9	800319P	Drive Belt	
10	801684P	Motor and Rod Assembly Kit	Includes 2 each of items 11-13 and wire ties
11	23748	Retaining Ring	
12	52549	Washer	
13	801062	Motor Mount Rod	
14	513316	Jumper Harness	Use to limit spin RPM on inverter controls starting Serial No. 0911014603; 240 Volt; Models ATE50FWP431AW01, ATG50FWP301AW01, FTE50FSP301NW01, FTE50FSP301NW10, FTG50FSP301NW10, LTE50FGP541NW23, LTKA6A*N4350, LTL50FGP541NW23, LTSA7A*N3000, LTSA7A*N3300, LTSA7A*N4350, LTSA9A*N3000 and LTSA9A*N3060
	513268	Jumper Harness	Use to limit spin RPM on inverter controls starting Serial No. 0911014603; 120 Volt; All other models

\* Add Letter To Designate Color. Q - Bisque W - White

# Drain Hose and Pump



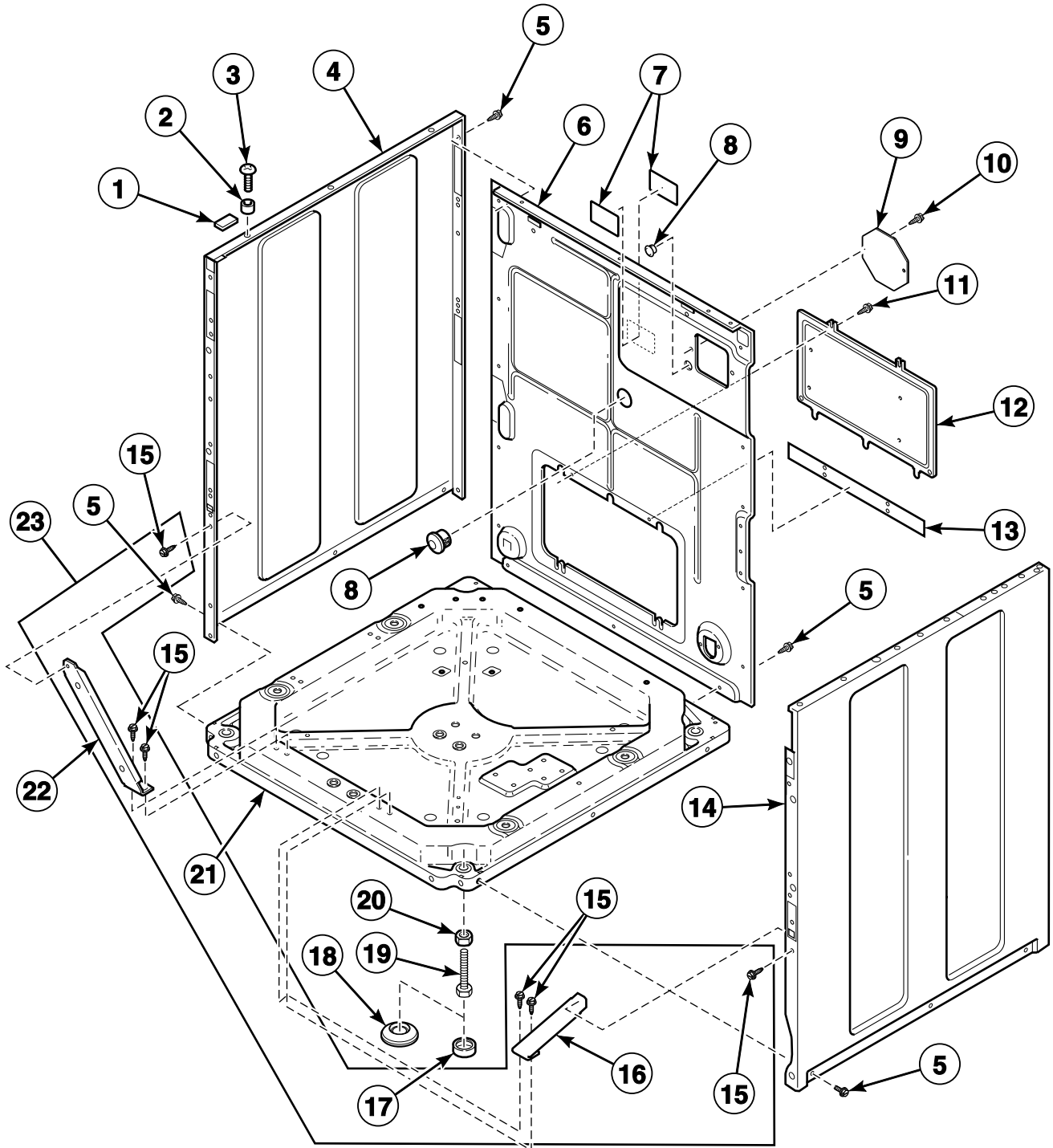
FLW951P\_802847

# Drain Hose and Pump

REF	PART NO.	DESCRIPTION	COMMENTS
1	33615	Drain Hose Sleeve	
2	33489	Standpipe Strap	
3	36014	Retainer Clip	
4	685730	Drain Hose	
5	32219	Strain Relief	
6	800310	Backflow Preventer	
7	F200204	Hose Clamp	
8	503661	Screw	
9	802430	Screw	
10	802626	Pump Mount Bracket	
11	802431	Screw	
12	802429	O-Ring	
13	802625P	Drain Pump	Models LTE50FGP541NW23, LTL50FGP541NW23 and LTSA7A*N3300
	802624P	Drain Pump	Models ATE50FWP431AW01, ATG50FWP301AW01, FTE50FSP301NW01, FTE50FSP301NW10, FTG50FSP301NW10, LTKA6A*N4350, LTSA7A*N3000, LTSA7A*N4350, LTSA9A*N3000 and LTSA9A*N3060
	802623P	Drain Pump	All other models
14	802434P	Pump Housing Assembly	Includes items 15-17
15	802428	Pump Housing	
16	802427	Gasket	
17	802426P	Lid Assembly	Includes filter
18	800317	Tub-to-Pump Hose	
	27615P	Sealant	Tub-to-pump hose to outer tub
	985P3	Drain Kit	Includes 803344 Tub-to-Pump Hose with Trap, 90554 Hose Clamp, 803400 Cap and 27615P Sealant

\* Add Letter To Designate Color. Q - Bisque W - White

# Washer Base, Panels and Rear Panel



SWD1206P\_802847

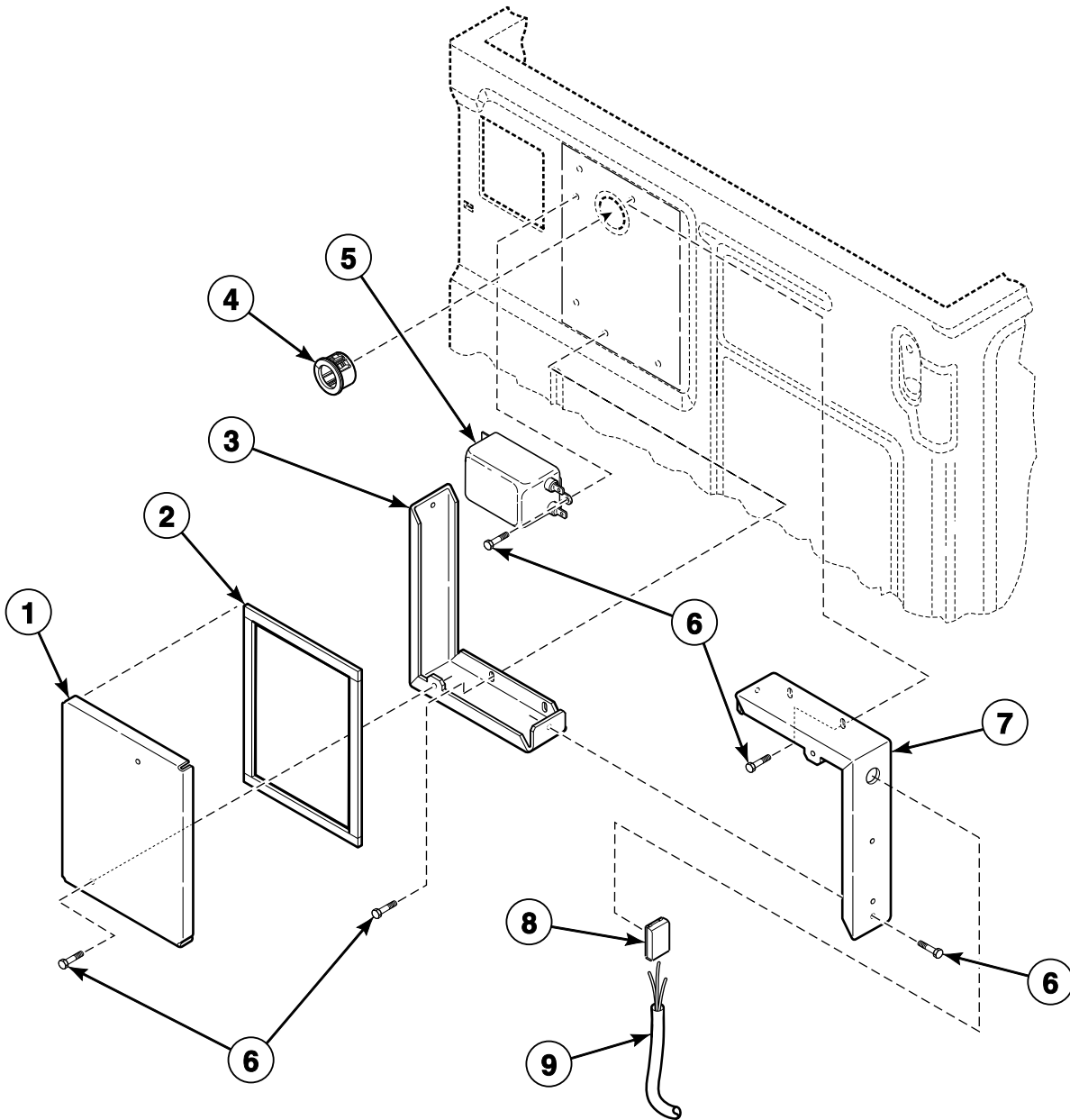


## Washer Base, Panels and Rear Panel

REF	PART NO.	DESCRIPTION	COMMENTS
1	36226	Bumper Pad	
2	56079	Panel Locator	
3	39733	Screw	
4	800004WP	Cabinet Panel Kit	White; Left; Includes corner gusset with hardware
	800004QP	Cabinet Panel Kit	Bisque; Left; Includes corner gusset with hardware
5	503661	Screw	
6	800010P	Rear Panel	
7	685928	Screw Label	Left hand thread
8	M412154	Hole Plug	
9	61203	Thermostat Opening Cover	Model LTSA7A*N2989
10	M405188	Screw	Model LTSA7A*N2989
11	430497	Screw	
12	800011	Rear Access Panel	
13	801702	Motor Access Hole Edging	
14	800005WP	Side Panel Kit	White; Right; Includes 801024 Dispenser Plate with hardware
	800005QP	Side Panel Kit	Bisque; Right; Includes 801024 Dispenser Plate with hardware
15	31645	Screw	
16	801492	Cabinet Brace	Right
17	34318	Rubber Foot	
18	802844P	Anchor Floor Mount Assembly	Includes 2 rubber discs with adhesive backing
19	34319	Leveling Leg	
20	21899	Nut	
21	802245	Base Assembly	
22	801491	Cabinet Brace	Left
23	918P3	Brace Kit	Includes items 15, 16 and 22

# Junction Box

Models ATE50FWP431AW01, ATG50FWP301AW01, FTE50FSP301NW01, FTE50FSP301NW10, FTG50FSP301NW10, LTE50FGP541NW23, LTKA6A\*N4350, LTL50FGP541NW23, LTSA7A\*N3000, LTSA7A\*N3300, LTSA7A\*N4350, LTSA9A\*N3000 and LTSA9A\*N3060



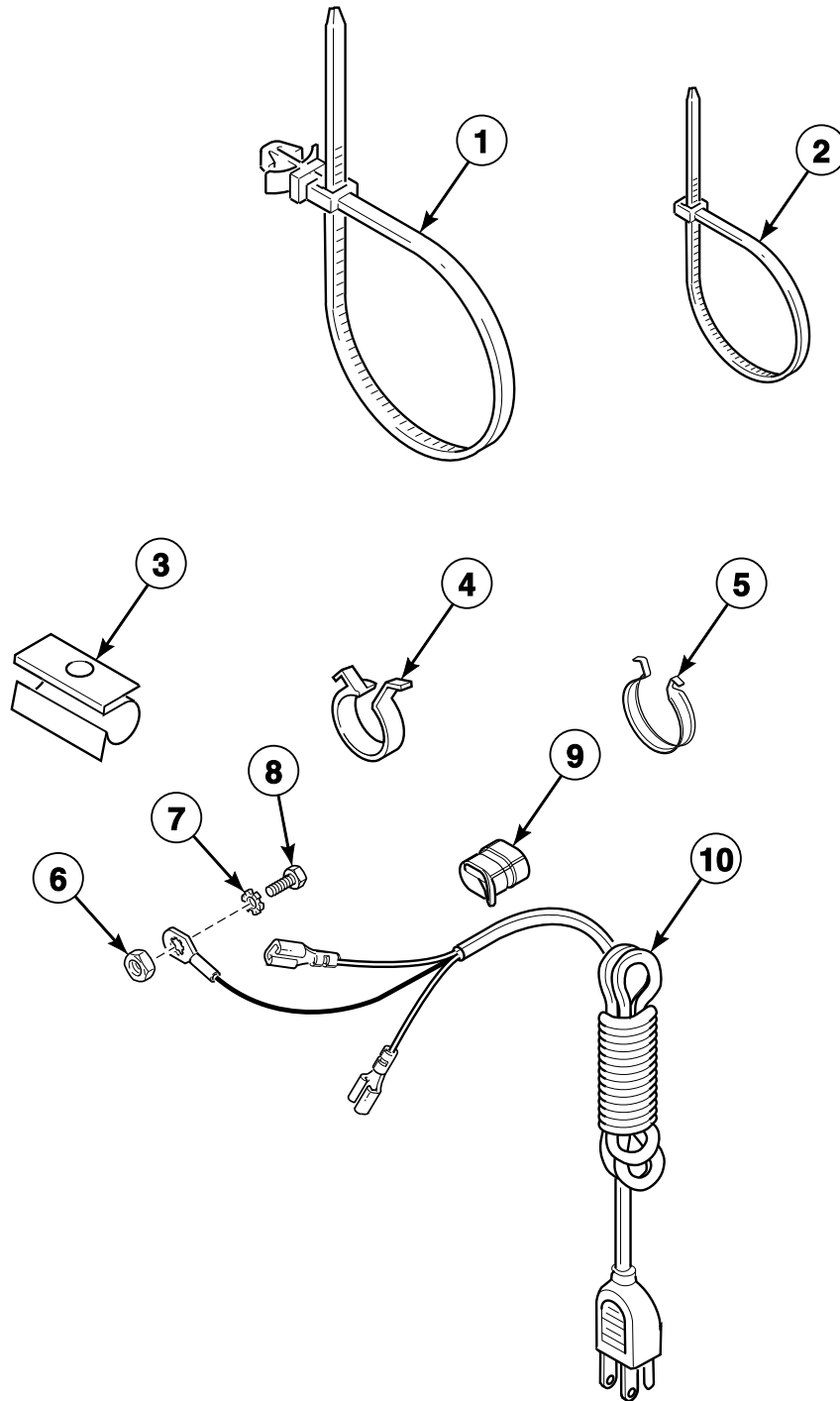
FLW850P\_802847

# Junction Box

REF	PART NO.	DESCRIPTION	COMMENTS
1	801404	Junction Box Cover	
2	801425P	Junction Box Seal	4 required
3	801433	Lower Junction Box	
4	M402542	Snap Bushing	
5	201058	Line Filter	
6	503661	Screw	
7	801403	Junction Box	
8	39922	Cable Connection Box	
9	39931	Power Cord Assembly	Models ATE50FWP431AW01, ATG50FWP301AW01, LTSA7A*N4350 and LTSA9A*N3060; Includes plug
	201574	Lead-In Cord	Model LTKA6A*N4350
	801660	Power Cord Assembly	Models LTE50FGP541NW23 and LTL50FGP541NW23
	801450	Power Cord Assembly	Models FTE50FSP301NW01, FTE50FSP301NW10, FTG50FSP301NW10, LTSA7A*N3000, LTSA7A*N3300 and LTSA9A*N3000

\* Add Letter To Designate Color. Q - Bisque W - White

# Wire Ties and Harness Clips

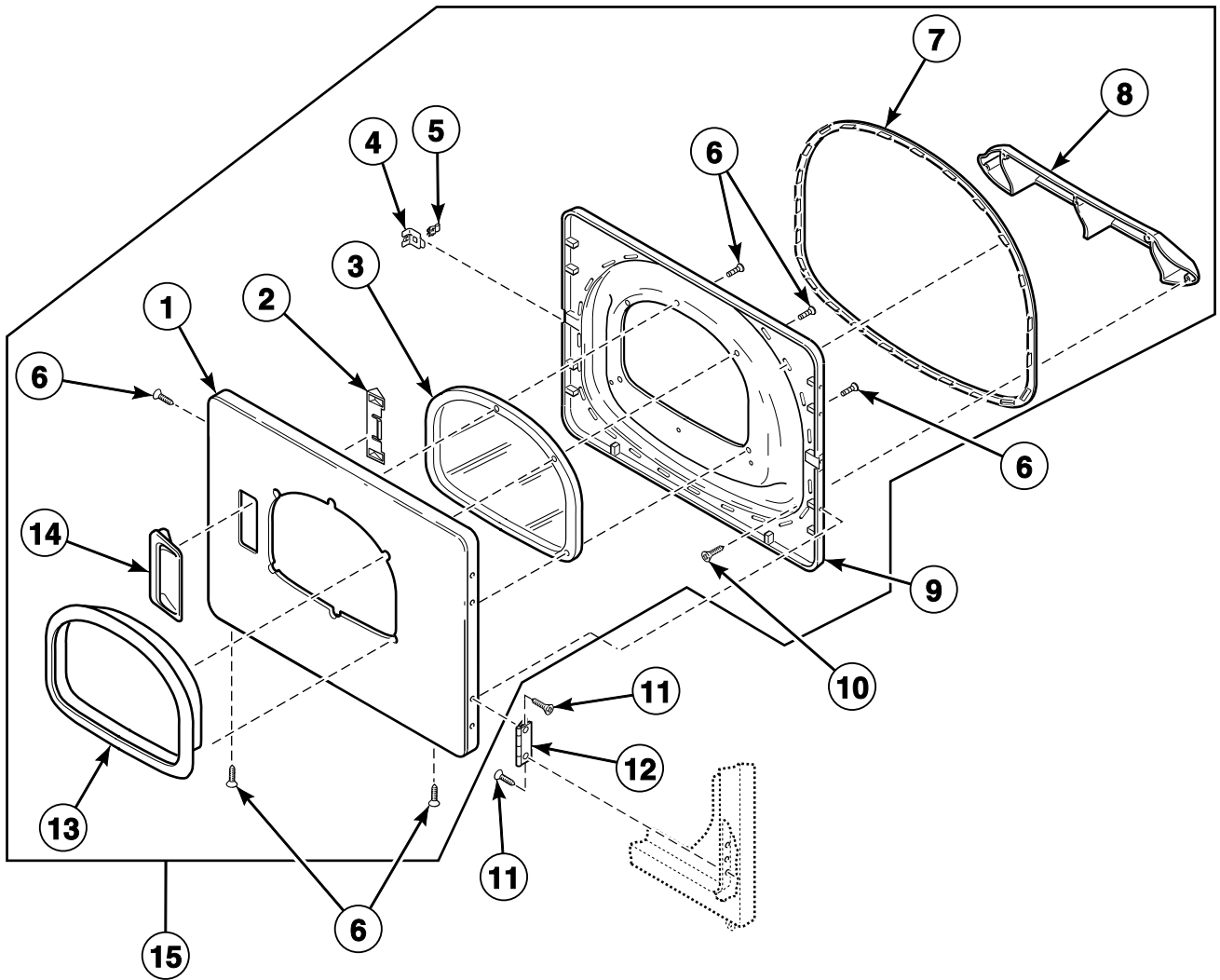


FLW823P\_802847

## Wire Ties and Harness Clips

REF	PART NO.	DESCRIPTION	COMMENTS
1	38663	Wire Tie	
2	55881	Harness Strap	
3	36985	Hose Clip	
4	504034	Wire Clip	Small
5	687500	Wire Clip	Large
6	03673	Nut	Models BTE50FSP171TW01, BTG50FSP111TW01, LTSA7A*N, LTSA7A*N1500, LTSA9A*N, LTUA7A*N, LTUA9A*N, LTZA7A*N, LTZA9A*N, UTE50FSP171TW08 and UTG50FSP111TW08
7	03815	Washer	Models BTE50FSP171TW01, BTG50FSP111TW01, LTSA7A*N, LTSA7A*N1500, LTSA9A*N, LTUA7A*N, LTUA9A*N, LTZA7A*N, LTZA9A*N, UTE50FSP171TW08 and UTG50FSP111TW08
8	685837	Screw	Models BTE50FSP171TW01, BTG50FSP111TW01, LTSA7A*N, LTSA7A*N1500, LTSA9A*N, LTUA7A*N, LTUA9A*N, LTZA7A*N, LTZA9A*N, UTE50FSP171TW08 and UTG50FSP111TW08
9	38384	Strain Relief	Models BTE50FSP171TW01, BTG50FSP111TW01, LTSA7A*N, LTSA7A*N1500, LTSA9A*N, LTUA7A*N, LTUA9A*N, LTZA7A*N, LTZA9A*N, UTE50FSP171TW08 and UTG50FSP111TW08
10	34458	Lead-In Cord	Models BTE50FSP171TW01, BTG50FSP111TW01, LTSA7A*N, LTSA7A*N1500, LTSA9A*N, LTUA7A*N, LTUA9A*N, LTZA7A*N, LTZA9A*N, UTE50FSP171TW08 and UTG50FSP111TW08

# Dryer Loading Door with Window

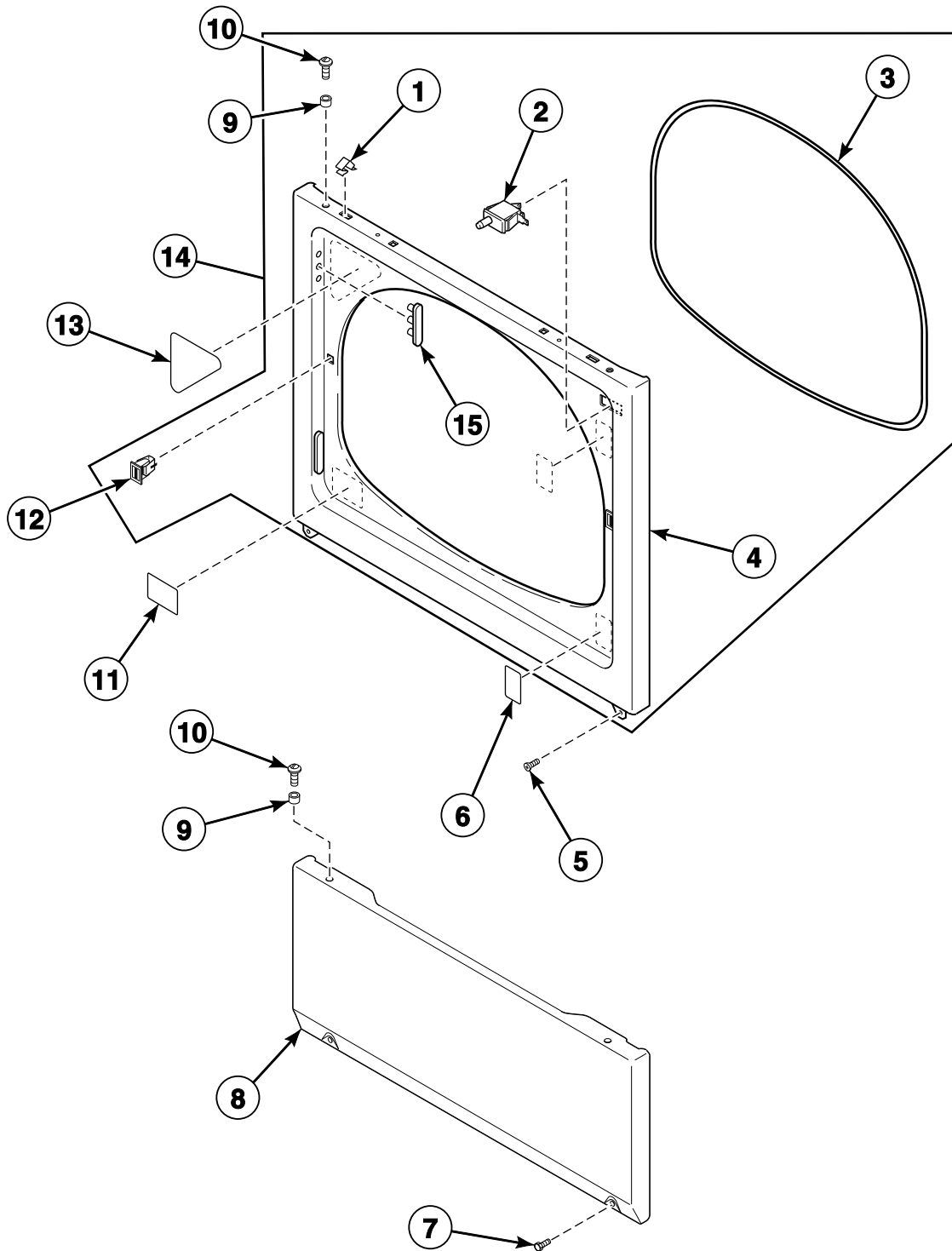


D427P\_802847

## Dryer Loading Door with Window

REF	PART NO.	DESCRIPTION	COMMENTS
1	510082WP	Dryer Door	White
	510082QP	Dryer Door	Bisque
2	510129	Door Handle Wedge	
3	503982	Dryer Door Window	
4	510127	Door Strike Mount	
5	510181	Door Strike	
6	500226	Screw	
7	510147P	Liner Door Seal	
8	503870W	Door Liner Grill	
9	510098W	Liner and Seal Assembly	Includes item 7
10	505870	Screw	
11	505295	Screw	
12	511036	Hinge	
13	512633	Window Trim	Gray; Models ATE50FWP431AW01 and ATG50FWP301AW01
	503981W	Window Trim	White; All other models
	503981Q	Window Trim	Bisque; All other models
14	510103WP	Door Pull and Wedge Kit	White; Includes item 2
	510103QP	Door Pull and Wedge Kit	Bisque; Includes item 2
15	511636WP	Door and Liner Assembly	White; Includes items 1-10, 13 and 14
	511636QP	Door and Liner Assembly	Bisque; Includes items 1-10, 13 and 14

# Dryer Access Panel, Front Panel and Seal



DRY1776P\_802847

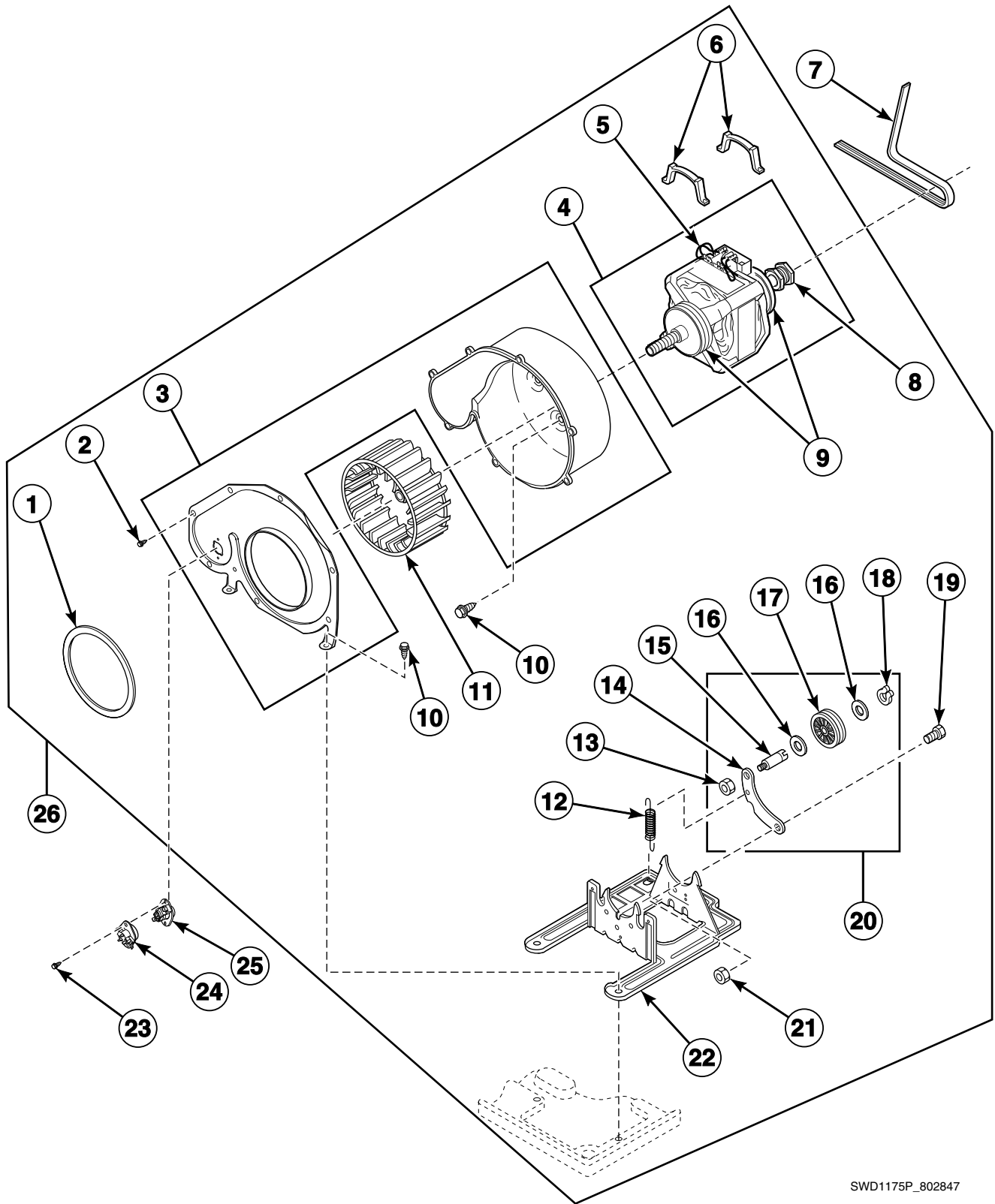


## Dryer Access Panel, Front Panel and Seal

REF	PART NO.	DESCRIPTION	COMMENTS
1	28835	Speed Clip	
2	512973	Switch	
3	511056	Front Panel Seal	
4	510066WP	Front Panel	White
	510066QP	Front Panel	Bisque
5	503688	Screw	
6	512263	Warning Label	Models ATE50FWP431AW01, ATG50FWP301AW01, LTKA6A*N4350, LTSA7A*N4350 and LTSA9A*N3060
7	33562	Screw	Slotted hex head
	62853	Screw	Torx head; Optional for added security
8	510069WP	Access Panel	White
	510069QP	Access Panel	Bisque
9	56079	Panel Locator	
10	39733	Screw	
11	502804	Clean Lint Label	Models ATE50FWP431AW01, ATG50FWP301AW01, LTKA6A*N4350, LTSA7A*N4350 and LTSA9A*N3060
12	510177	Door Catch Assembly	
13	500253	Caution Label	Models BTE50FSP281CW01, BTG50FSP091CW01, LTUA7A*N2802, LTZA7A*N2802 and LTZA9A*N0902
	500281	Warning/Caution Label	All other models
14	513781W	Front Panel Assembly	Includes items 1-4, 9, 10, 12, 15 and 511636WP Door Assembly, (2) 511036 Door Hinge and (8) 500226 Screw
15	510186	Hinge Hole Plug	

\* Add Letter To Designate Color. Q - Bisque W - White

# Dryer Motor, Exhaust Fan and Belt



SWD1175P\_802847

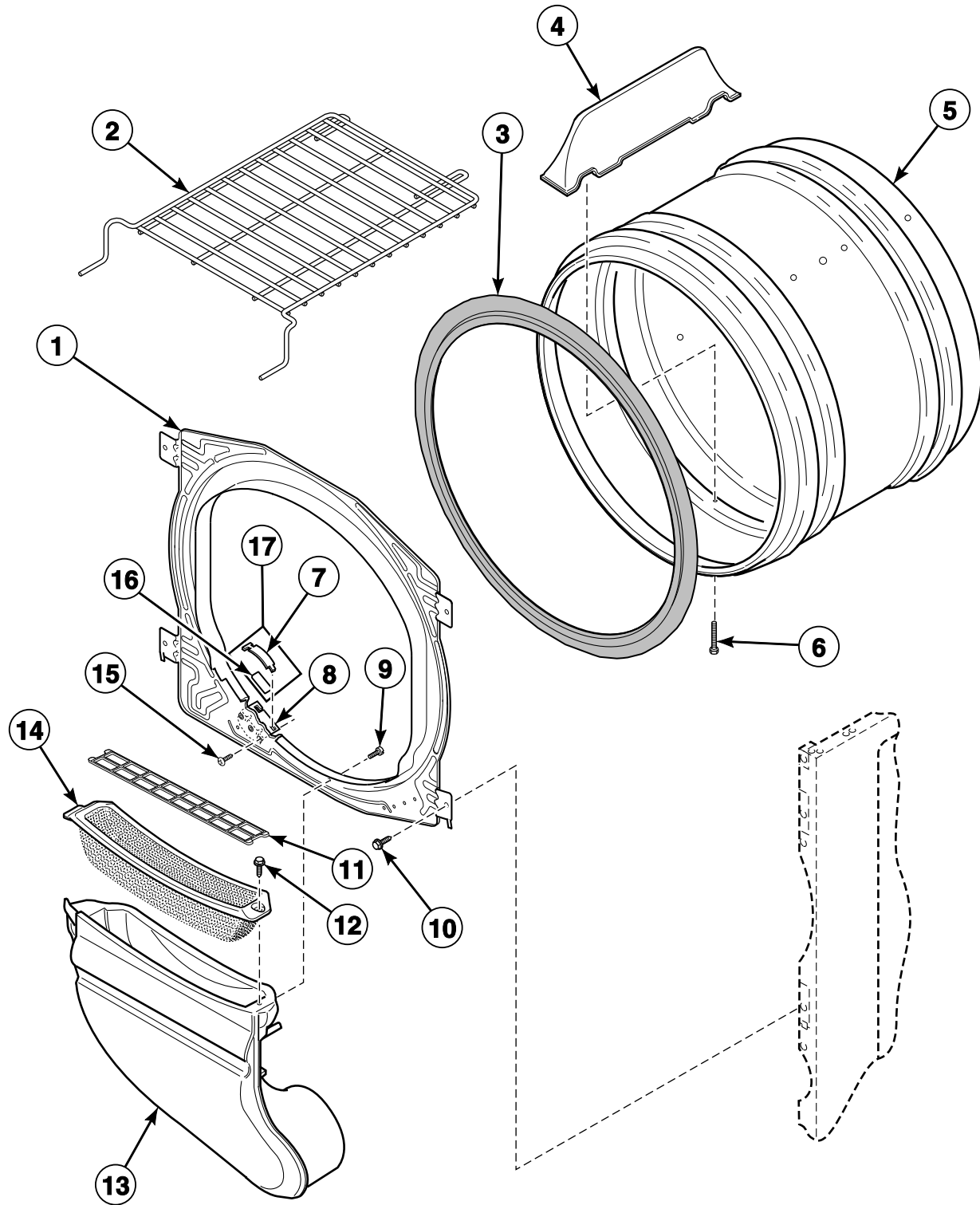
## Dryer Motor, Exhaust Fan and Belt

REF	PART NO.	DESCRIPTION	COMMENTS
1	510238P	Blower Housing Seal	
2	31260	Screw	
3	511969P	Blower Housing and Cover Kit	
4	505869P	Motor and Pulley Assembly	240 Volt/60 Hertz; Includes items 5, 8 and 9; Models LTE50FGP541NW23, LTL50FGP541NW23 and LTSA7A*N3300
	505843P	Motor and Pulley Assembly	240 Volt/50 Hertz; Includes items 5, 8 and 9; Models ATE50FWP431AW01, ATG50FWP301AW01, FTE50FSP301NW01, FTE50FSP301NW10, FTG50FSP301NW10, LTKA6A*N4350, LTSA7A*N3000, LTSA7A*N4350, LTSA9A*N3000 and LTSA9A*N3060
	511629P	Motor and Pulley Assembly	120 Volt/60 Hertz; Includes items 5, 8 and 9; All other models
5	N/A	Motor Switch Kit	Does not include thermal protector
6	510180	Motor Mount Clamp	
7	511255P	Cylinder Belt	
8	500222	Motor Pulley	50 Hertz; Models ATE50FWP431AW01, ATG50FWP301AW01, FTE50FSP301NW01, FTE50FSP301NW10, FTG50FSP301NW10, LTE50FGP541NW23, LTKA6A*N4350, LTL50FGP541NW23, LTSA7A*N3000, LTSA7A*N3300, LTSA7A*N4350, LTSA9A*N3000 and LTSA9A*N3060
	500011	Motor Pulley	60 Hertz; All other models
9	590P3	Motor Hub Ring Kit	
10	503688	Screw	
11	510139P	Blower Fan Assembly	
12	510185	Idler Spring	
13	56156	Nut	
14	510133	Idler Lever	
15	56461P	Shaft	
16	52549	Washer	
17	510142P	Idler Wheel and Bearing Assembly	
18	23748	Retaining Ring	
19	500824	Screw	
20	510158	Idler Lever and Wheel Assembly	
21	52566	Nut	
22	510060	Motor Mount	
23	23222	Screw	
24	504515	Thermostat	Models BTE50FSP281CW01, LTSA7A*N, LTSA7A*N1500, LTUA7A*N, LTUA7A*N2802, LTZA7A*N, LTZA7A*N2802 and UTE50FSP171TW08
	510707P	Thermostat	Models BTG50FSP091CW01, LTSA9A*N, LTSA9A*N1180, LTUA9A*N, LTZA9A*N, LTZA9A*N0902 and UTG50FSP111TW08
	511887	Thermostat	Model LTSA7A*N2989
	511957	Thermostat	All other models
25	M411941	Manual Reset Thermostat	Models ATG50FWP301AW01 and LTSA9A*N3060
26	510717P	Blower and Fan Kit	120 Volt/60 Hertz; Includes items 1-6 and 8-22; Models BTE50FSP171TW01, BTE50FSP281CW01, BTG50FSP091CW01, BTG50FSP111TW01, LTSA7A*N, LTSA7A*N1500, LTSA7A*N2989, LTSA9A*N, LTSA9A*N1180, LTUA7A*N, LTUA7A*N2802, LTUA9A*N, LTZA7A*N, LTZA7A*N2802, LTZA9A*N, LTZA9A*N0902, UTE50FSP171TW08 and UTG50FSP111TW08

\* Add Letter To Designate Color. Q - Bisque W - White

N/A = Part no longer available

# Front Bulkhead, Air Duct, Felt Seal and Cylinder



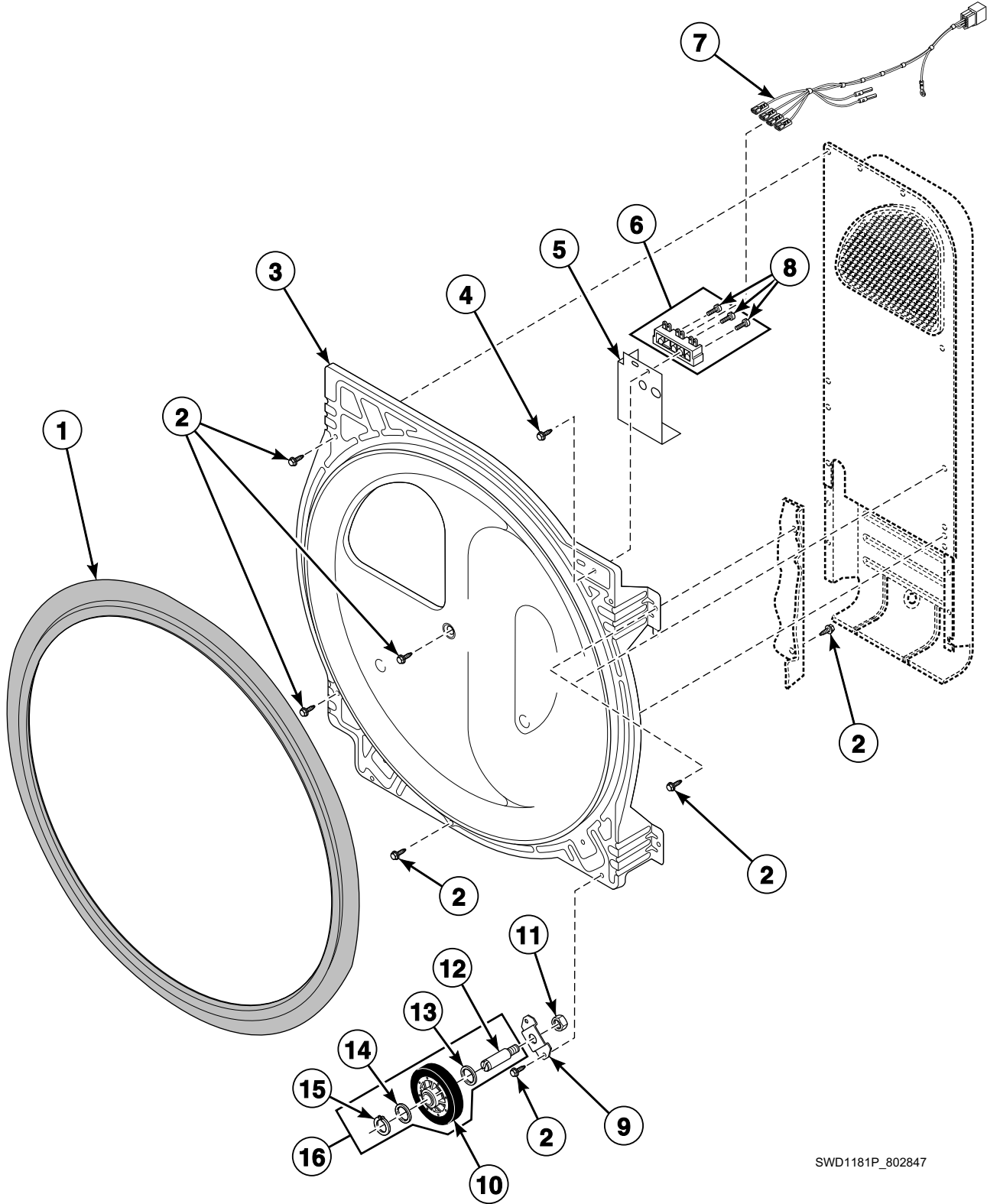
SWD1220P\_802847

## Front Bulkhead, Air Duct, Felt Seal and Cylinder

REF	PART NO.	DESCRIPTION	COMMENTS
1	511033WP	Front Bulkhead Assembly	Painted; Includes item 3; Models ATE50FWP431AW01, ATG50FWP301AW01 and LTKA6A*N4350
	510266P	Front Bulkhead Assembly	Unpainted; Includes item 3; All other models
2	512082P	Drying Rack	Model LTKA6A*N4350
3	510207P	Cylinder Seal Assembly	
	511637P	Adhesive	For cylinder seal
	RB170001	Seal Kit	Includes 2 cylinder seals, 510238P Blower Housing Seal and 511637P Adhesive
4	510102	Cylinder Baffle	
5	510159WP	Cylinder Assembly	White; Includes baffles; Models ATE50FWP431AW01, ATG50FWP301AW01 and LTKA6A*N4350
	510265P	Cylinder Assembly	Galvanized; Includes baffles; All other models
6	62588	Screw	
7	510188	Cylinder Glide	
8	510145	Cylinder Glide Bracket	
9	52864	Screw	
10	503688	Screw	
11	510502	Lint Filter Cover	
12	501285	Screw	
13	510151	Air Duct Assembly	
14	503980	Lint Filter	
15	505295	Screw	
16	510189	Felt Pad	
17	RB170003	Glide Kit	Includes items 7 and 16

\* Add Letter To Designate Color. Q - Bisque W - White

# Rear Bulkhead, Felt Seal, Cylinder Roller and Terminal Block



SWD1181P\_802847

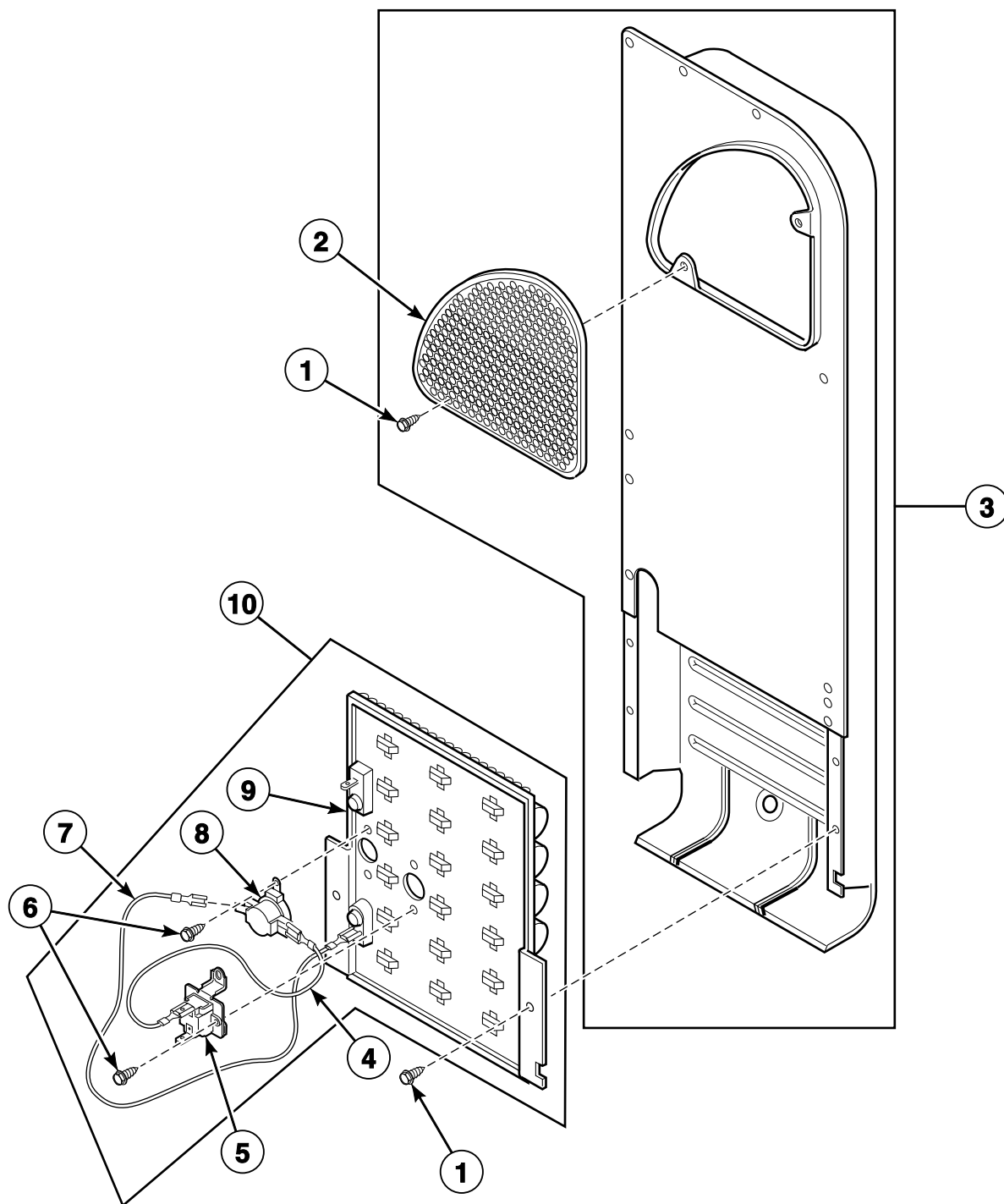
## Rear Bulkhead, Felt Seal, Cylinder Roller and Terminal Block

REF	PART NO.	DESCRIPTION	COMMENTS
1	510207P	Cylinder Seal Assembly	
	511637P	Adhesive	For cylinder seal
	RB170001	Seal Kit	Includes 2 cylinder seals, 510238P Blower Housing Seal and 511637P Adhesive
2	503688	Screw	
3	510905WP	Rear Bulkhead Assembly	White; Includes item 1; Models ATE50FWP431AW01, ATG50FWP301AW01 and LTKA6A*N4350
	511082P	Rear Bulkhead Assembly	Galvanized; Includes item 1; All other models
4	501285	Screw	Electric models
5	510237	Terminal Block Shield	Electric models
6	510190P	Terminal Block Assembly	Includes 3 of item 7
7	510622	Wire Harness Assembly	Power to washer; Model LTSA7A*N2989
8	61199	Screw	
9	510100	Cylinder Roller Bracket	
10	510708P	Cylinder Roller	
11	56156	Nut	
12	56461P	Shaft	
13	504082	Washer	
14	52549	Washer	
15	23748	Retaining Ring	
16	RB170002	Roller Kit	Includes items 10 and 12-15

\* Add Letter To Designate Color. Q - Bisque W - White

# Heater Duct and Element Assembly

Electric Model Dryers



DRY1789P\_802847



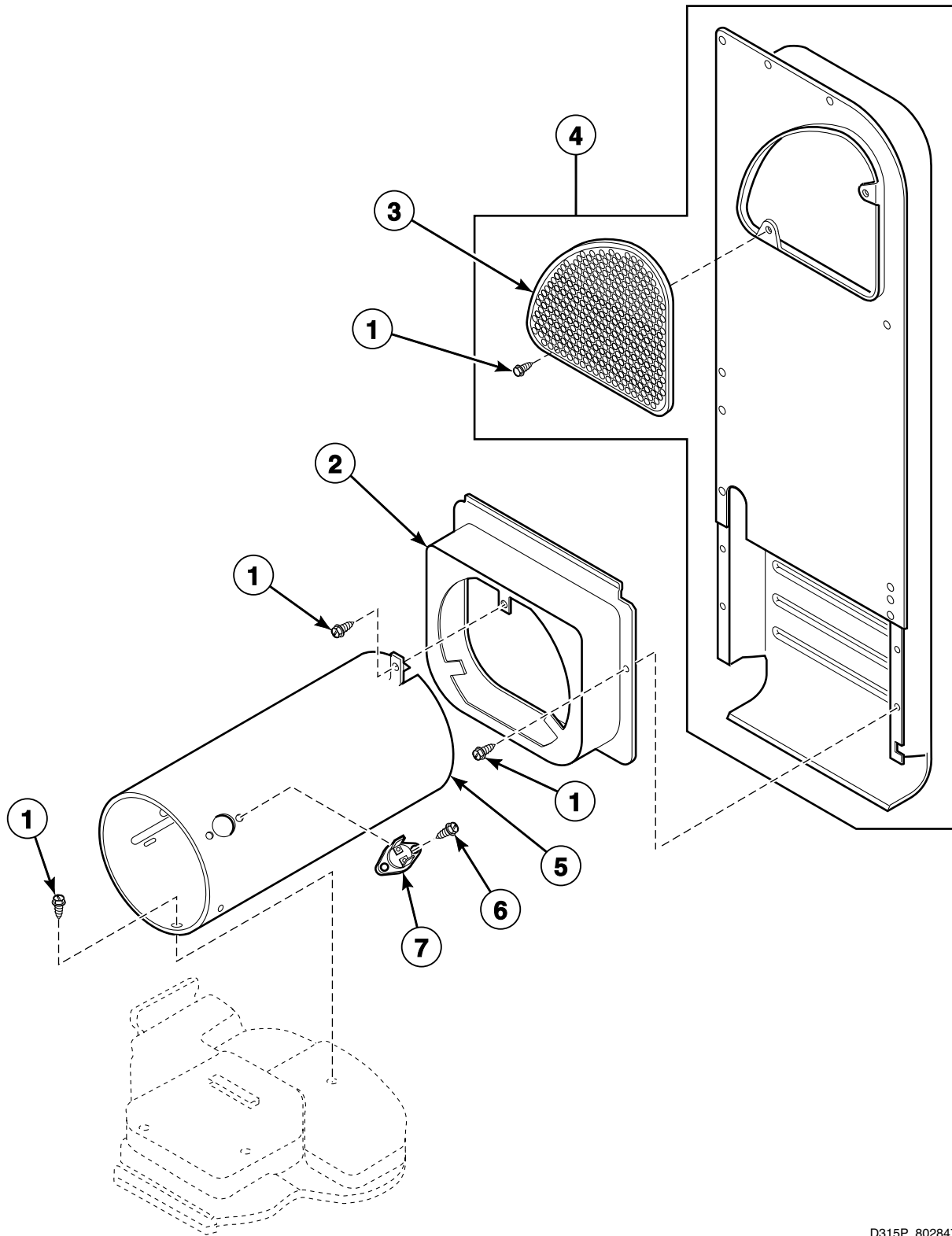
## Heater Duct and Element Assembly

REF	PART NO.	DESCRIPTION	COMMENTS
1	503688	Screw	
2	500820	Outlet Cover	
3	510025P	Heater Duct and Screw Assembly	Includes items 1 and 2
4	510528	Wire Assembly	Orange; Thermostat jumper; Attaches to heater assembly
5	511412	Thermal Fuse Assembly	
6	23222	Screw	
7	510527	Wire Assembly	Black; Fuse jumper; Attaches to heater assembly
8	510701	Limit Thermostat	
9	510326P	Heater Assembly	Models FTE50FSP301NW01, FTE50FSP301NW10, LTSA7A*N2989 and LTSA7A*N3000; 4800 Watt; 240 Volt/50 Hertz
	510327P	Heater Assembly	Models ATE50FWP431AW01, LTKA6A*N4350 and LTSA7A*N4350; 4000 Watt; 240 Volt/50 Hertz
	510324P	Heater Assembly	Models BTE50FSP281CW01, LTE50FGP541NW23, LTSA7A*N3300, LTUA7A*N2802 and LTZA7A*N2802; 5000 Watt; 240 Volt/60 Hertz
	510325P	Heater	Model LTSA7A*N1500; 4750 Watt; 208 Volt/60 Hertz
	510329P	Heater Assembly	Models BTE50FSP171TW01, LTSA7A*N, LTUA7A*N, LTZA7A*N and UTE50FSP171TW08; 5350 Watt; 240 Volt/60 Hertz
10	964P3	Heater Kit	Includes items 4-9; Models BTE50FSP171TW01, LTSA7A*N, LTUA7A*N and LTZA7A*N; 5350 Watt; 240 Volt/60 Hertz
	61927	Heater Kit Assembly	Includes items 4-9; Models BTE50FSP281CW01, LTE50FGP541NW23, LTSA7A*N3300, LTUA7A*N2802 and LTZA7A*N2802; 5000 Watt; 240 Volt/60 Hertz
	61928	Heater Kit Assembly	Includes items 4-9; Models BTE50FSP171TW01, LTSA7A*N, LTSA7A*N1500, LTUA7A*N, LTZA7A*N and UTE50FSP171TW08; 4750 Watt; 208 Volt/60 Hertz
	61929	Heater Kit Assembly	Includes items 4-9; Models FTE50FSP301NW01, FTE50FSP301NW10, LTSA7A*N2989 and LTSA7A*N3000; 4800 Watt; 240 Volt/50 Hertz
	61930	Heater Kit Assembly	Includes items 4-9; Models ATE50FWP431AW01, LTKA6A*N4350 and LTSA7A*N4350; 4000 Watt; 240 Volt/50 Hertz

\* Add Letter To Designate Color. Q - Bisque W - White

# Heater Duct Assembly

Gas Model Dryers



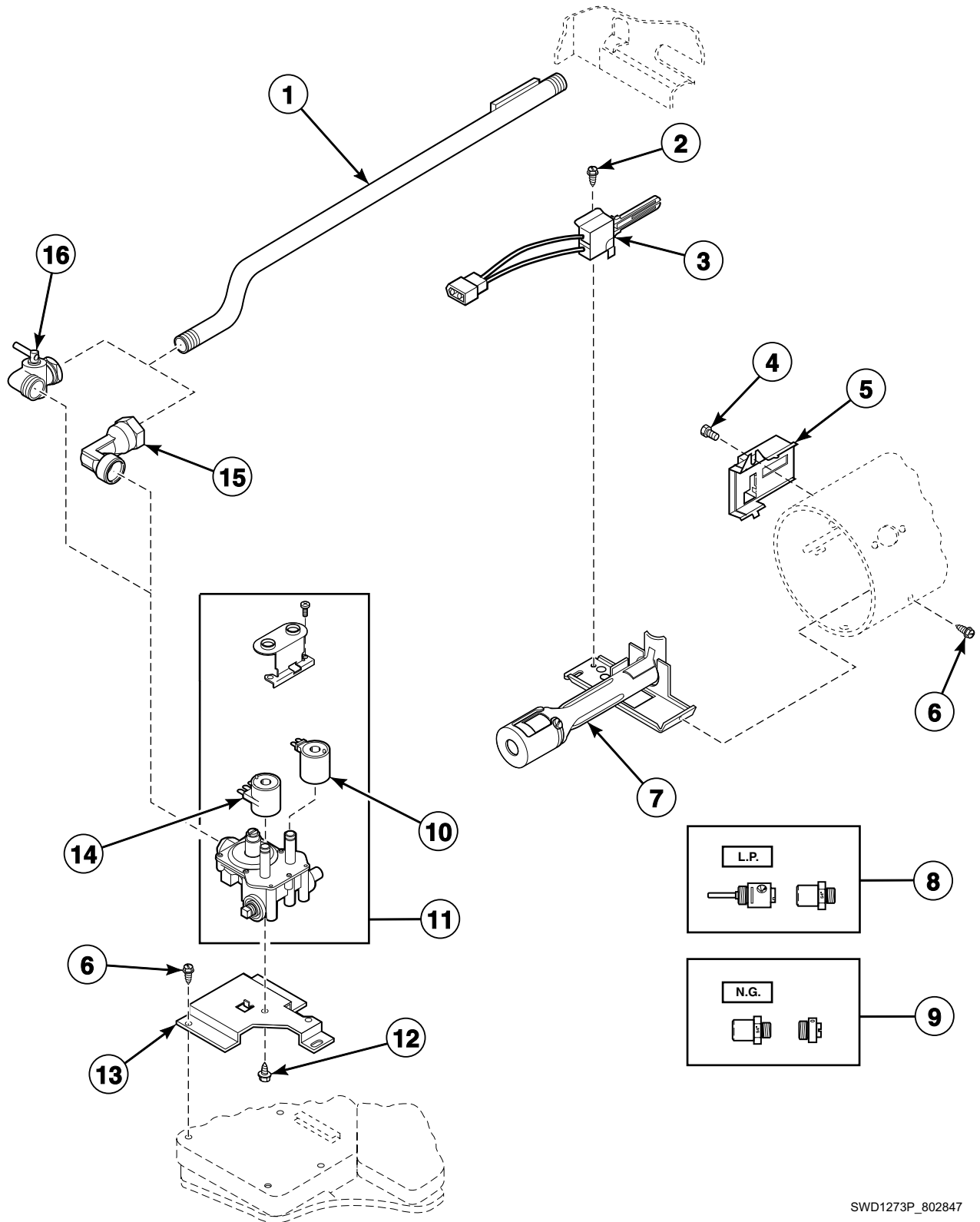
D315P\_802847

# Heater Duct Assembly

REF	PART NO.	DESCRIPTION	COMMENTS
1	503688	Screw	
2	510101	Heat Duct Shroud	
3	500820	Outlet Cover	
4	510025P	Heater Duct and Screw Assembly	Includes items 1 and 3
5	510131	Combustion Duct	
6	51782	Screw	
7	510702	Limit Thermostat	Color code "black"

# Gas Valve, Igniter and Gas Conversion Kits

Gas Model Dryers



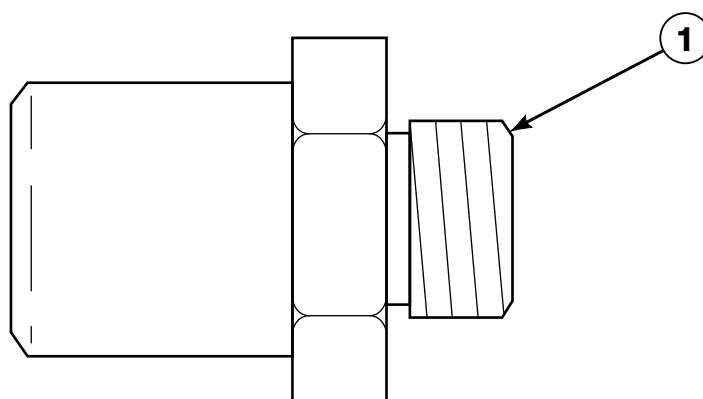
## Gas Valve, Igniter and Gas Conversion Kits

REF	PART NO.	DESCRIPTION	COMMENTS
1	510204	Lead-In Pipe Assembly	
2	51782	Screw	
3	510184P	Igniter and Bracket Assembly	
4	23222	Screw	
5	510213	Sensor	
6	503688	Screw	
7	510149P	Burner Assembly	
8	649P3	L.P. Conversion Kit	Used to convert dryers from Natural Gas (N.G.) or Mixed Gas to Liquid Petroleum Gas (L.P.); 22,500 Btu; Included on model LTL50FGP541NW23
9	650P3	N.G. Conversion Kit	Used to convert dryers from L.P. to N.G. or Mixed Gas; 22,500 Btu
10	58804B	Secondary Coil	
11	60353P	Gas Valve Assembly	25,000 Btu; Includes items 10 and 14; Model LTL50FGP541NW23
	59063P	Gas Valve Assembly	50 Hertz, 20,000 Btu; Models ATG50FWP301AW01, FTG50FSP301NW10, LTSA9A*N3000 and LTSA9A*N3060
	510506P	Gas Valve Assembly	60 Hertz, 22,500 Btu; All other models
12	56124	Screw	
13	510128	Gas Valve Mounting Bracket	
14	58804A	Booster and Holding Coil	
15	513072	Elbow	Model LTL50FGP541NW23
16	510205	Elbow Shut-Off Valve	All models except LTL50FGP541NW23

\* Add Letter To Designate Color. Q - Bisque W - White

# Burner Orifice Spuds - For Higher Elevations (Drawing 1 of 2)

Liquid Petroleum Gas Models



DRY2266P\_802847

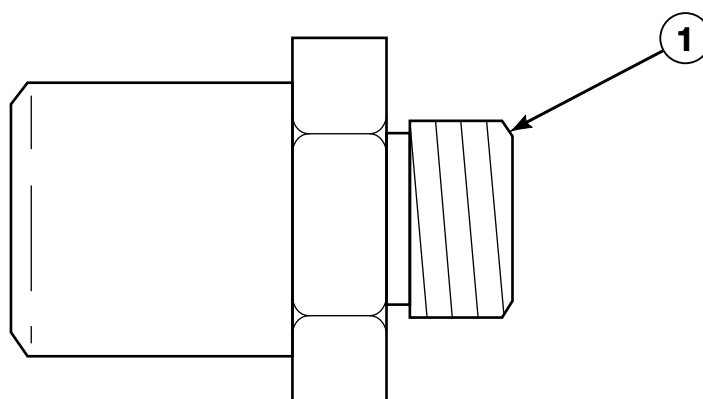
## Burner Orifice Spuds - For Higher Elevations (Drawing 1 of 2)

REF	PART NO.	DESCRIPTION	COMMENTS
1	58755	L.P. Orifice	Model LTL50FGP541NW23 25,000 Btu; 7500-10,999 feet (2290-2289 m); Models BTG50FSP091CW01, BTG50FSP111TW01, LTSA9A*N, LTSA9A*N1180, LTUA9A*N, LTZA9A*N, LTZA9A*N0902 and UTG50FSP111TW08 22,500 Btu; 3000-7999 feet (915-2439 m)
	503786	L.P. Orifice	Model LTL50FGP541NW23 25,000 Btu; 11,000 feet (3355 m) and higher; Models ATG50FWP301AW01, FTG50FSP301NW10, LTSA9A*N3000 and LTSA9A*N3060 20,000 Btu; 4500-9499 feet (1370-2999 m); All other models 22,500 Btu; 8000 feet (2440 m) and higher
	60941	L.P. Orifice	Models ATG50FWP301AW01, FTG50FSP301NW10, LTSA9A*N3000 and LTSA9A*N3060; 20,000 Btu; 9500 feet (3000 m) and higher

\* Add Letter To Designate Color. G - Gray L - Almond Q - Bisque W - White

# Burner Orifice Spuds - For Higher Elevations (Drawing 2 of 2)

Natural Gas Models



DRY2266P\_802847

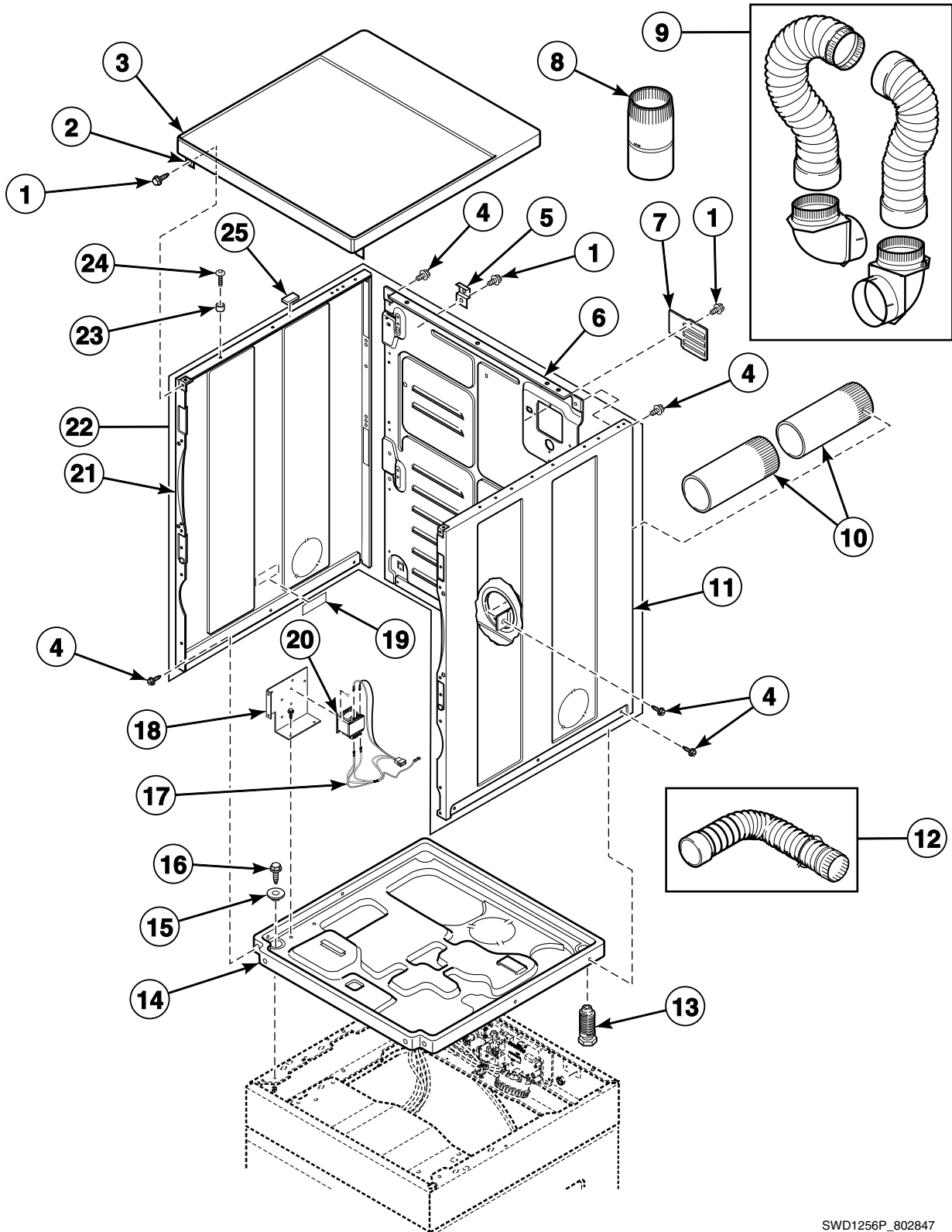


## Burner Orifice Spuds - For Higher Elevations (Drawing 2 of 2)

REF	PART NO.	DESCRIPTION	COMMENTS
1	503776	N.G. Orifice	Model LTL50FGP541NW23; 25,000 Btu; 2000-2999 feet (610-914 m)
	510517	N.G. Orifice	Model LTL50FGP541NW23; 25,000 Btu; 3000-5499 feet (915-1679 m)
	503778	N.G. Orifice	Model LTL50FGP541NW23 25,000 Btu; 5500-6999 feet (1680-2134 m); Models BTG50FSP091CW01, BTG50FSP111TW01, LTSA9A*N, LTSA9A*N1180, LTUA9A*N, LTZA9A*N, LTZA9A*N0902 and UTG50FSP111TW08 22,500 Btu; 3000-5999 feet (915-1829 m)
	58719	Screw Orifice	Model LTL50FGP541NW23 25,000 Btu; 7000-8999 feet (2135-2744 m); Models BTG50FSP091CW01, BTG50FSP111TW01, LTSA9A*N, LTSA9A*N1180, LTUA9A*N, LTZA9A*N, LTZA9A*N0902 and UTG50FSP111TW08 22,500 Btu; 6000-7999 feet (1830-2439 m)
	503779	N.G. Orifice	Model LTL50FGP541NW23 25,000 Btu; 9000-10,499 feet (2745-3199 m); Models BTG50FSP091CW01, BTG50FSP111TW01, LTSA9A*N, LTSA9A*N1180, LTUA9A*N, LTZA9A*N, LTZA9A*N0902 and UTG50FSP111TW08 22,500 Btu; 8000-8999 feet (2440-2739 m); Models ATG50FWP301AW01, FTG50FSP301NW10, LTSA9A*N3000 and LTSA9A*N3060 20,000 Btu; 2500-4499 feet (760-1369 m)
	503780	N.G. Orifice	Model LTL50FGP541NW23 25,000 Btu; 10,500 feet (3200 m) and higher; Models BTG50FSP091CW01, BTG50FSP111TW01, LTSA9A*N, LTSA9A*N1180, LTUA9A*N, LTZA9A*N, LTZA9A*N0902 and UTG50FSP111TW08 22,500 Btu; 9000-9999 feet (2740-3049 m); Models ATG50FWP301AW01, FTG50FSP301NW10, LTSA9A*N3000 and LTSA9A*N3060 20,000 Btu; 4500-5999 feet (1370-1829 m)
	503781	N.G. Orifice	Models BTG50FSP091CW01, BTG50FSP111TW01, LTSA9A*N, LTSA9A*N1180, LTUA9A*N, LTZA9A*N, LTZA9A*N0902 and UTG50FSP111TW08 22,500 Btu; 10,000 feet (3050 m) and higher; Models ATG50FWP301AW01, FTG50FSP301NW10, LTSA9A*N3000 and LTSA9A*N3060 20,000 Btu; 6000-7499 feet (1830-2289 m)
	503782	N.G. Orifice	Models ATG50FWP301AW01, FTG50FSP301NW10, LTSA9A*N3000 and LTSA9A*N3060; 20,000 Btu; 7500-9499 feet (2290-2899 m)

\* Add Letter To Designate Color. G - Gray L - Almond Q - Bisque W - White

# Dryer Cabinet, Exhaust Duct and Base



SWD1256P\_802847

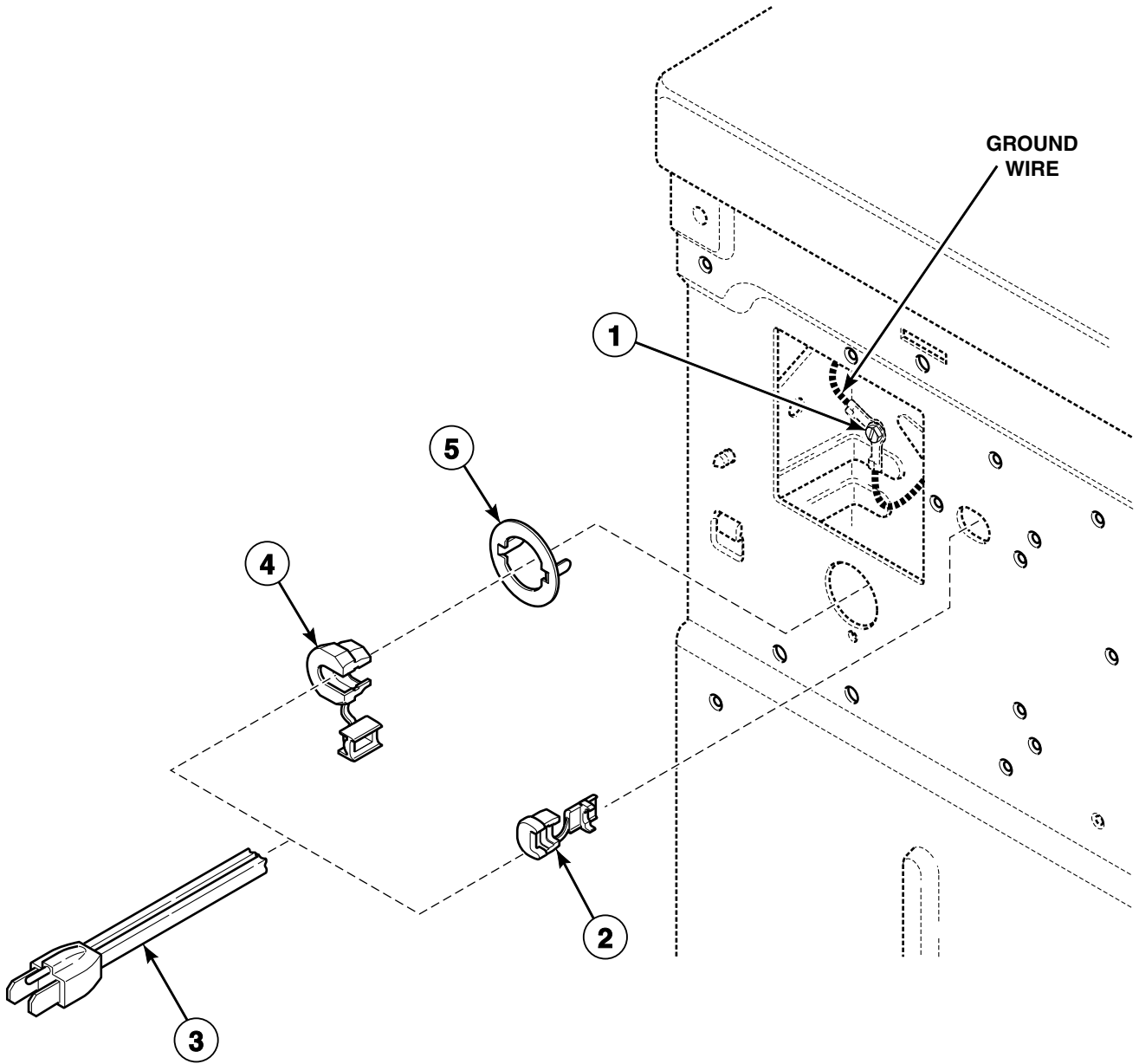
## Dryer Cabinet, Exhaust Duct and Base

REF	PART NO.	DESCRIPTION	COMMENTS
	122P4P	Porcelain Touch-Up Paint	White
	370P4P	Porcelain Touch-Up Paint	Bisque
1	503661	Screw	
2	510146	Bracket	
3	510032WP	Top Kit	White
	510032QP	Top Kit	Bisque
4	503688	Screw	
5	510136	Top Hinge	
6	510005P	Cabinet Rear Panel	
7	510903	Access Panel Plate	
8	58786	Damper	
9	521P3	Flexible Venting Kit	
10	510137	Exhaust Duct	Each dryer requires 2 pieces
11	510002WP	Cabinet Side Panel	White; Right
	510002QP	Cabinet Side Panel	Bisque; Right
12	528P3	Directional Exhaust Kit	Used to vent dryer out the sides
13	510135	Leveling Leg	
14	510084	Dryer Base	
15	26509	Washer	
16	502431	Screw	
17	511303	Wire Harness Assembly	Transformer adapter; Includes 502592 Fuse, 3.15 Amp, 250 Volt; Models ATG50FWP301AW01, FTG50FSP301NW10, LTSA9A*N3000 and LTSA9A*N3060
18	511859	Contacto Bracket	Models ATG50FWP301AW01, FTG50FSP301NW10, LTSA9A*N3000 and LTSA9A*N3060
19	61294	Fuse Notice Label	Electric models
20	511658P	Transformer Kit	Includes item 17; Models ATG50FWP301AW01, FTG50FSP301NW10, LTSA9A*N3000 and LTSA9A*N3060
21	510001WP	Cabinet Side Panel	White; Left
	510001QP	Cabinet Side Panel	Bisque; Left
22	727P3W	Panel Kit	White; Replaces the 1 piece wrap-a-round cabinet; Kit includes items 6, 11, 21 and the necessary attaching hardware
	727P3Q	Panel Kit	Bisque; Replaces the 1 piece wrap-a-round cabinet; Kit includes items 6, 11, 21 and the necessary attaching hardware
23	56079	Panel Locator	
24	39733	Screw	
25	56128	Bumper Pad	

\* Add Letter To Designate Color. Q - Bisque W - White

# Power Cord

Models ATG50FWP301AW01, BTE50FSP281CW01, BTG50FSP091CW01, BTG50FSP111TW01, LTL50FGP541NW23, LTSA9A\*N, LTSA9A\*N1180, LTSA9A\*N3060, LTUA7A\*N2802, LTUA9A\*N, LTZA7A\*N2802, LTZA9A\*N, LTZA9A\*N0902 and UTG50FSP111TW08



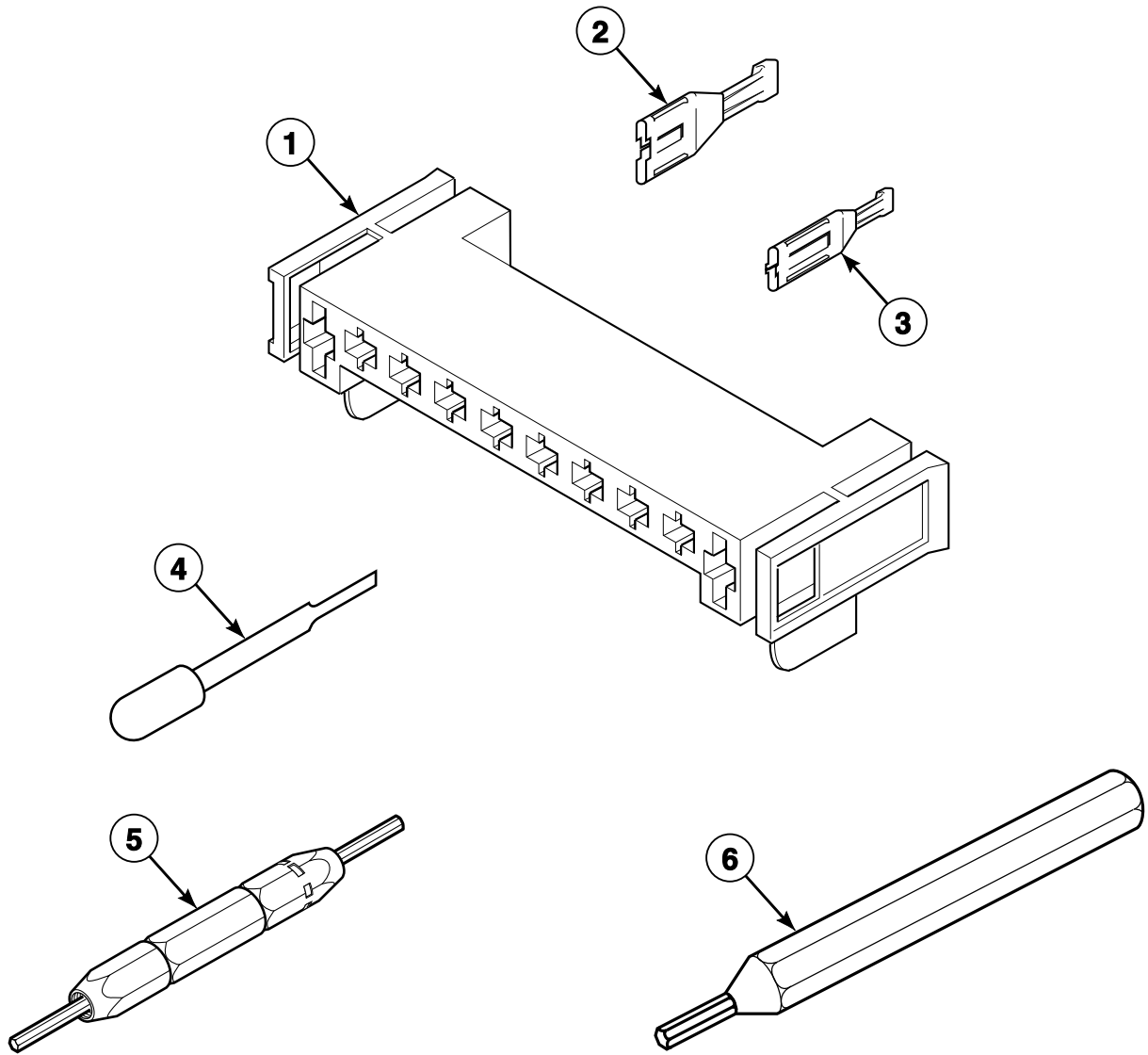
SWD1222P\_802847

# Power Cord

REF	PART NO.	DESCRIPTION	COMMENTS
1	20530	Screw	
2	38384	Strain Relief	Models BTG50FSP111TW01, LTSA9A*N, LTSA9A*N1180, LTUA9A*N, LTZA9A*N and UTG50FSP111TW08
3	58992	Power Cord Assembly	Models BTG50FSP091CW01 and LTZA9A*N0902
	57397	Power Cord Assembly	Models BTE50FSP281CW01, LTUA7A*N2802 and LTZA7A*N2802
	512019	Lead-In Cord	Models ATG50FWP301AW01, BTE50FSP281CW01 and LTSA9A*N3060
	59373	Lead-In Cord	Model LTL50FGP541NW23
	59308	Lead-In Cord	All other models
4	52151	Strain Relief	Models BTG50FSP091CW01 and LTZA9A*N0902
	52113	Strain Relief	Model LTL50FGP541NW23
	60298	Strain Relief	Model LTSA9A*N3060
5	502496	Strain Relief Adapter	Models ATG50FWP301AW01, BTG50FSP091CW01, LTL50FGP541NW23, LTSA9A*N3060 and LTZA9A*N0902

\* Add Letter To Designate Color. Q - Bisque W - White

# Dryer Motor Connection Block, Terminal Extractor Tools



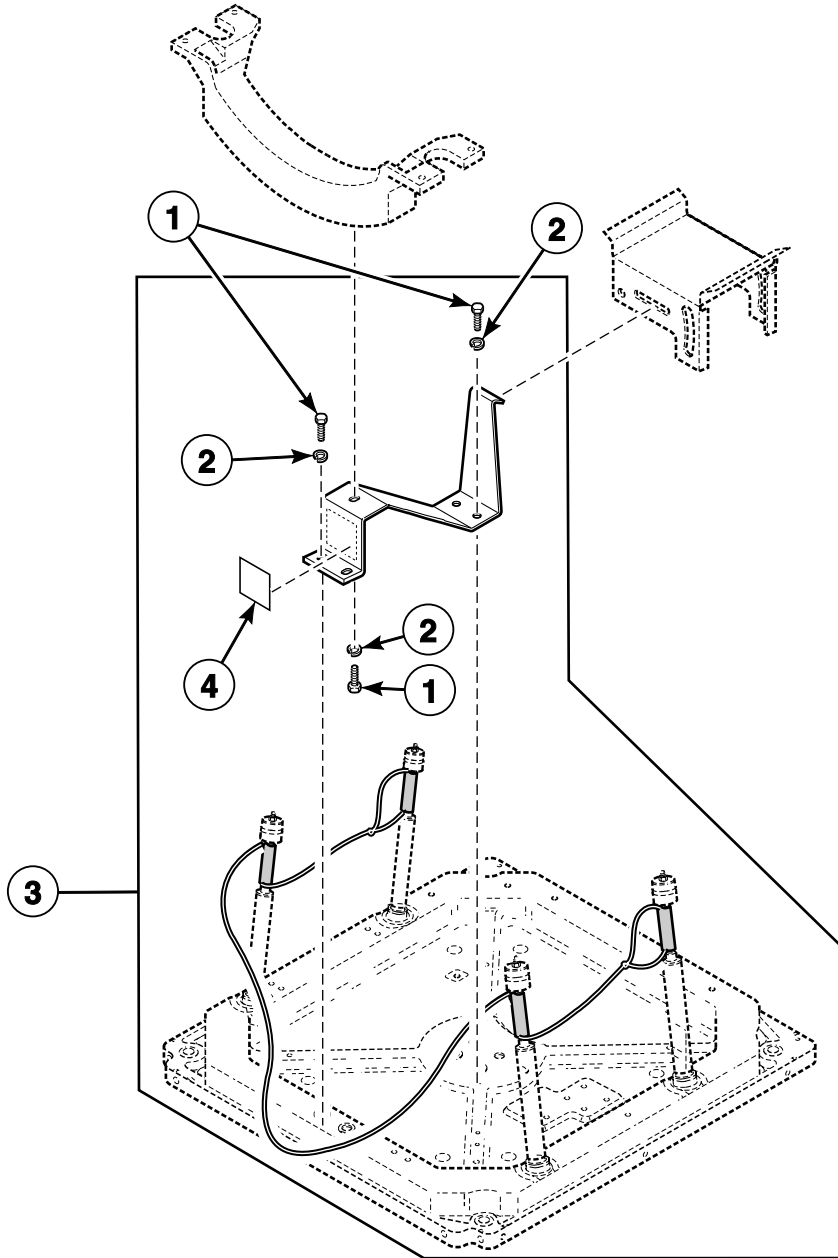
SWD1216P\_802847

## Dryer Motor Connection Block, Terminal Extractor Tools

REF	PART NO.	DESCRIPTION	COMMENTS
1	500338	10 Position Housing	Molex
2	00255	Female Terminal	1/4 inch; For (1) 12 gauge wire
	00256	Female Terminal	1/4 inch; For (1) or (2) 18 gauge wires
3	00188	Female Terminal	For 1 or 2 wire applications
4	283P4	Terminal Extractor Tool	For use on Molex connectors
5	190P4	Extractor Tool	For use on electric dryer terminals
6	128P4	Extractor Tool	For use on gas dryer terminals

\* Add Letter To Designate Color. Q - Bisque W - White

# Shipping Materials



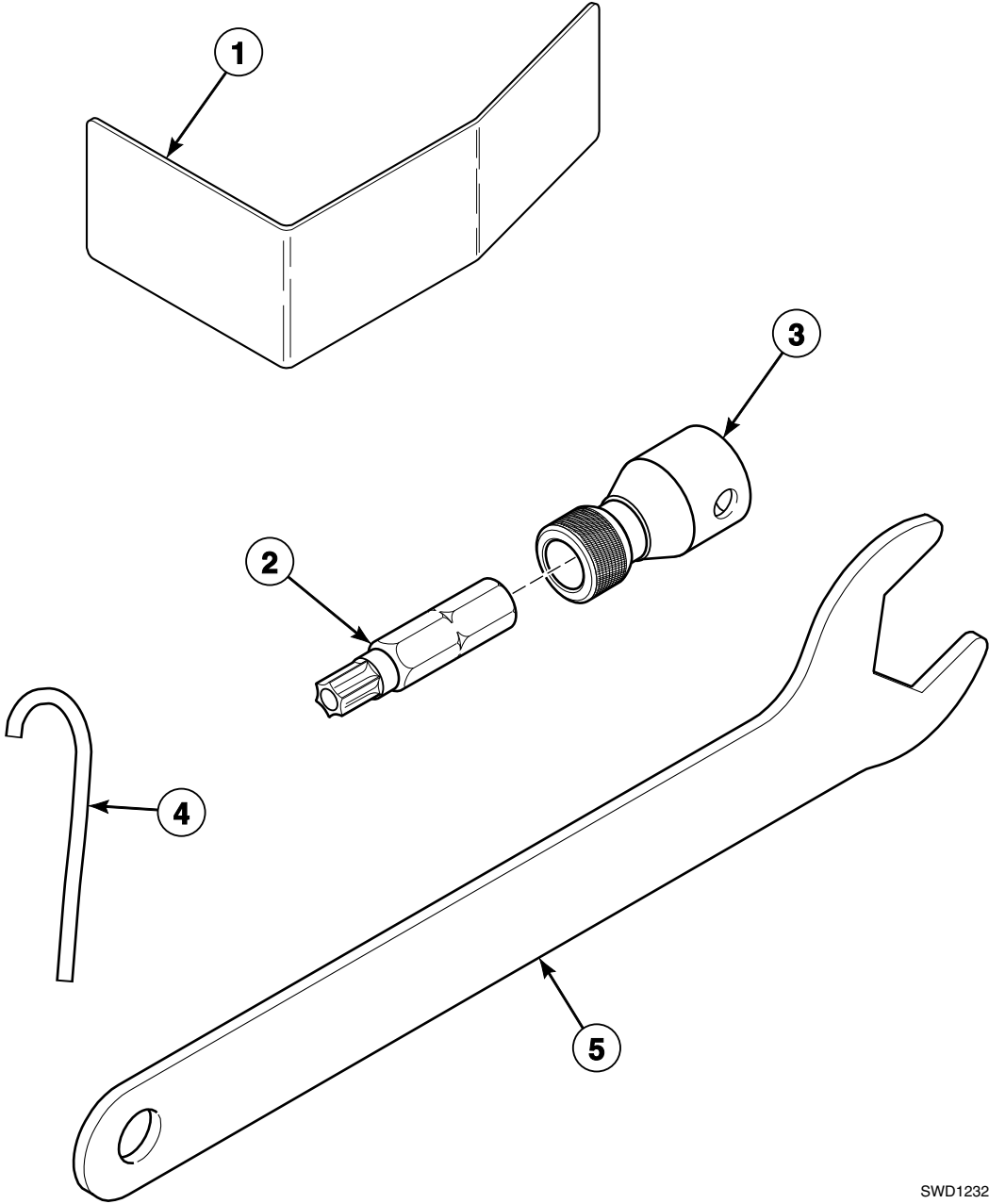
FLW1030P\_802847



# Shipping Materials

REF	PART NO.	DESCRIPTION	COMMENTS
1	M400043	Screw	
2	M400014	Washer	
3	930P3	Shipping Materials Kit	Includes items 1, 2, 4, shipping bracket, and shipping cord and brace assembly
4	686901	Shipping Bracket Label	

# Special Tools

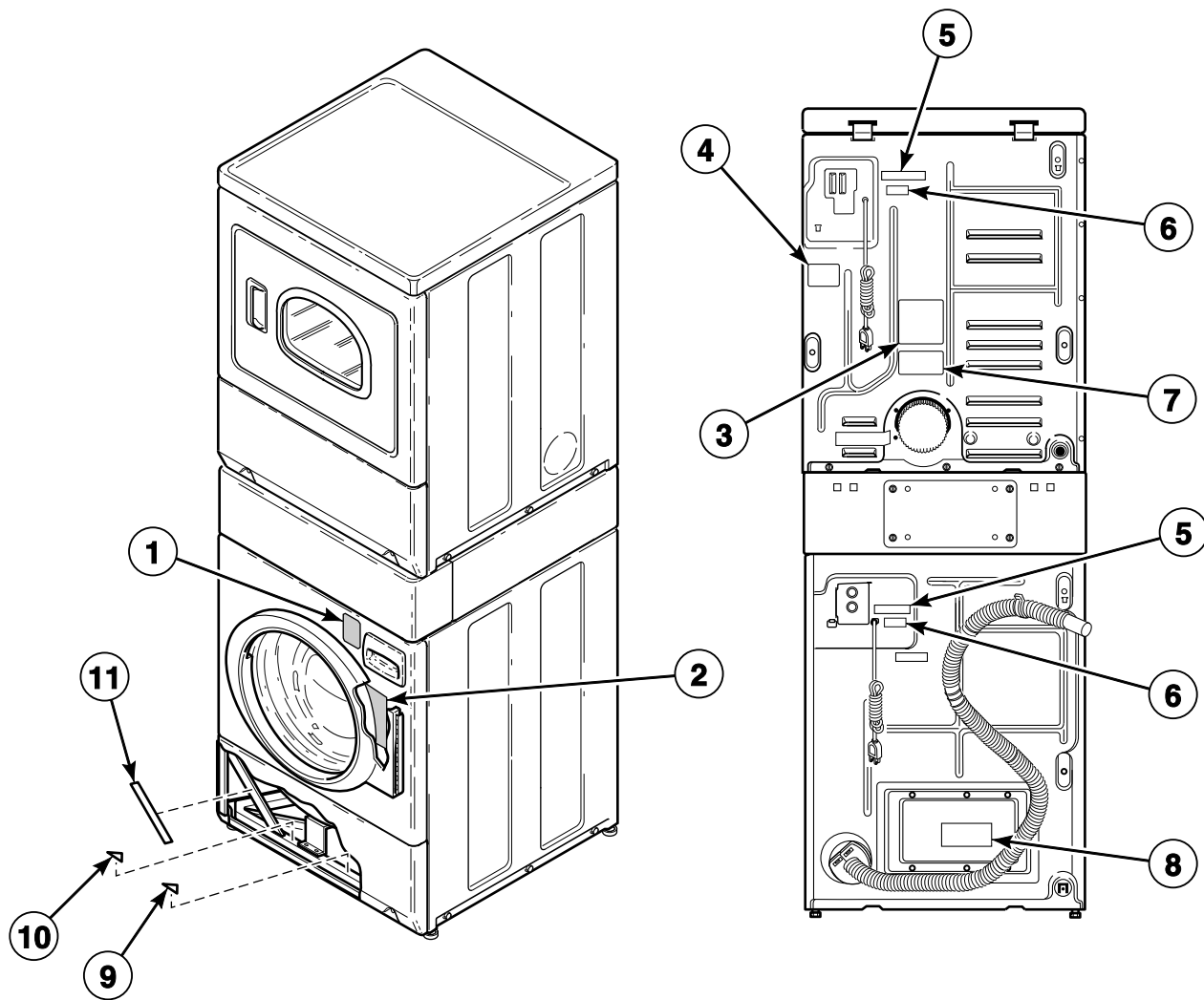


SWD1232P\_802847

# Special Tools

REF	PART NO.	DESCRIPTION	COMMENTS
1	318P4	Dispenser Drawer Tool	Use to remove dispenser drawer
2	282P4	Torx Bit	
3	24161	Bit Holder	
4	802336	Pulley Bolt Tightening Fixture	Use to install inner basket
5	392P4	Wrench	Use for adjusting leveling leg nuts

# Labels

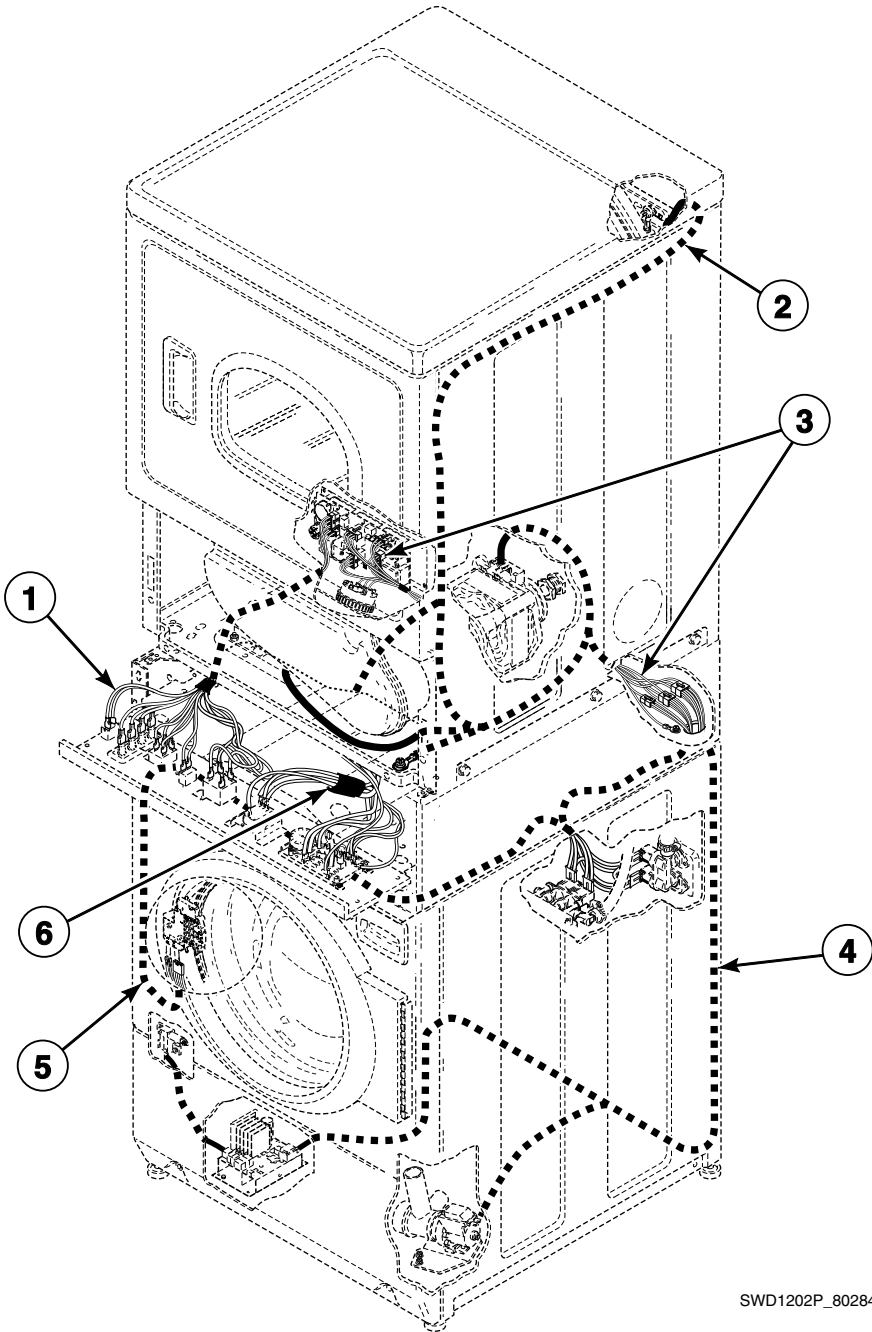


SWD1274P\_802847

# Labels

REF	PART NO.	DESCRIPTION	COMMENTS
1	802074	Oversudsing Label	English
	802838	Oversudsing Label	Spanish
	802839	Oversudsing Label	Quebec French
2	802367	Door Locked Warning Label	
3	502791	Venting Instruction Label	
4	62104	Voltage Warning Label	Model LTSA7A*N1500
5	505281	Disconnect Power Warning Label	English
	502511	Electrical Shock Label	Icon
6	803260	Warning Label	
7	500497	Exhaust Warning Label	
8	500049	Warning Label	English
	500314	Warning Label	Quebec French
	502511	Electrical Shock Label	Icon
9	F8211301	Pinched Fingers Label	Models FTE50FSP301NW01, FTE50FSP301NW10, FTG50FSP301NW10, LTSA7A*N3000, LTSA7A*N3300 and LTSA9A*N3000
10	F8211201	Electrical Shock Label	Models FTE50FSP301NW01, FTE50FSP301NW10, FTG50FSP301NW10, LTSA7A*N3000, LTSA7A*N3300 and LTSA9A*N3000
11	803522	Warning Label	Models ATE50FWP431AW01, ATG50FWP301AW01, BTE50FSP171TW01, BTE50FSP281CW01, BTG50FSP091CW01, BTG50FSP111TW01, LTE50FGP541NW23, LTKA6A*N4350, LTL50FGP541NW23, LTSA7A*N, LTSA7A*N1500, LTSA7A*N2989, LTSA7A*N4350, LTSA9A*N, LTSA9A*N1180, LTSA9A*N3060, LTUA7A*N, LTUA7A*N2802, LTUA9A*N, LTZA7A*N, LTZA7A*N2802, LTZA9A*N, LTZA9A*N0902, UTE50FSP171TW08 and UTG50FSP111TW08

# Wire Harnesses and Wires



SWD1202P\_802847

## Wire Harnesses and Wires

REF	PART NO.	DESCRIPTION	COMMENTS
	45001	18 Gauge Wire	Black
	45380	12 Gauge Wire	Orange
1	802114	Control Panel Harness Assembly	Model LTKA6A*N4350
	801326P	Control Panel Harness Assembly	All other models
2	511750P	Wire Harness Assembly	Dryer; Models ATE50FWP431AW01, FTE50FSP301NW01, FTE50FSP301NW10, LTE50FGP541NW23, LTKA6A*N4350, LTSA7A*N3000, LTSA7A*N3300, LTSA7A*N4350 and LTSA9A*N3000
	511751	Wire Harness Assembly	Dryer; Models FTG50FSP301NW10, LTL50FGP541NW23 and LTSA9A*N3000
	511325P	Upper Harness Assembly	Dryer; Models BTG50FSP091CW01, BTG50FSP111TW01, LTSA9A*N, LTSA9A*N1180, LTUA9A*N, LTZA9A*N, LTZA9A*N0902 and UTG50FSP111TW08
	511781	Wire Harness Assembly	Dryer; Models ATG50FWP301AW01 and LTSA9A*N3060
	511322P	Upper Harness Assembly	Dryer; All other models
3	801353	Control Wire Harness Assembly	Model LTKA6A*N4350
	801346P	Control Harness Assembly	Models ATE50FWP431AW01, ATG50FWP301AW01, FTE50FSP301NW01, FTE50FSP301NW10, FTG50FSP301NW10, LTE50FGP541NW23, LTL50FGP541NW23, LTSA7A*N3000, LTSA7A*N3300, LTSA7A*N4350, LTSA9A*N3000 and LTSA9A*N3060
	801324P	Control Harness Assembly	All other models
4	802274P	Motor Harness Assembly	Models through Serial No. 1201004551
	803581	Motor Harness Assembly	Models starting Serial No. 1201004552
5	802349P	Base Harness Assembly	Model LTKA6A*N4350 through Serial No. 0704007394
	802834P	Base Harness Assembly	Model LTKA6A*N4350 starting Serial No. 0704007395
	802350P	Base Harness Assembly	Models LTSA7A*N3000, LTSA7A*N3300, LTSA7A*N4350, LTSA9A*N3000 and LTSA9A*N3060 through Serial No. 0705003456
	802833P	Base Harness Assembly	Models ATE50FWP431AW01, ATG50FWP301AW01, FTE50FSP301NW01, FTE50FSP301NW10, FTG50FSP301NW10, LTE50FGP541NW23 and LTL50FGP541NW23; Models LTSA7A*N3000, LTSA7A*N3300, LTSA7A*N4350, LTSA9A*N3000 and LTSA9A*N3060 starting Serial No. 0705003457
	802351P	Base Harness Assembly	All other models through Serial No. 0709009264
	802831P	Base Harness Assembly	All other models starting Serial No. 0709009265
6	511752P	Security Cabinet Harness Assembly	Models ATE50FWP431AW01, FTE50FSP301NW01, FTE50FSP301NW10, LTE50FGP541NW23, LTKA6A*N4350, LTSA7A*N3000, LTSA7A*N3300, LTSA7A*N4350 and LTZA7A*N
	511767	Security Cabinet Harness Assembly	Models ATG50FWP301AW01, FTG50FSP301NW10, LTL50FGP541NW23, LTSA9A*N3000 and LTSA9A*N3060
	511323	Security Cabinet Harness Assembly	Models BTG50FSP091CW01, BTG50FSP111TW01, LTSA9A*N, LTSA9A*N1180, LTUA9A*N, LTZA9A*N, LTZA9A*N0902 and UTG50FSP111TW08
	511324P	Security Cabinet Harness	All other models

\* Add Letter To Designate Color. Q - Bisque W - White

**NOTE: Individual wires are not available separately. Order complete harness, or order wire by the foot. When applying terminals to wires, it is recommended that the terminals be soldered to the wires.**





# Parts Index

## A

Access Panel	
510069QP .....	9, 31
510069WP .....	9, 31
Access Panel Damper	
685368 .....	9
Access Panel Plate	
510903 .....	49
Adhesive	
511637P .....	35, 37
Air Duct Assembly	
510151 .....	35
Anchor Floor Mount Assembly	
802844P .....	23
Anti-Seize Compound	
27604P .....	17

## B

Backflow Preventer	
34500 .....	11, 13
800310 .....	21
Ballast Weight	
800205 .....	15
Base Assembly	
802245 .....	23
Base Harness Assembly	
802349P .....	61
802350P .....	61
802351P .....	61
802831P .....	61
802833P .....	61
802834P .....	61
Base Shock Absorber Kit	
802881P .....	15
Bearing Housing Kit	
800428P .....	17
Bearing Kit	
RB160001 .....	17
Bit Holder	
24161 .....	57
Blower and Fan Kit	
510717P .....	33
Blower Fan Assembly	
510139P .....	33
Blower Housing and Cover Kit	
511969P .....	33
Blower Housing Seal	
510238P .....	33
Booster and Holding Coil	
58804A .....	43
Boot Nozzle	
802291 .....	9, 11
Brace Kit	
918P3 .....	23
Bracket	
510146 .....	49

Bumper Pad	
36226 .....	23
56128 .....	49
Burner Assembly	
510149P .....	43

## C

Cabinet Brace	
801491 .....	23
801492 .....	23
Cabinet Panel Kit	
800004QP .....	23
800004WP .....	23
Cabinet Rear Panel	
510005P .....	49
Cabinet Side Panel	
510001QP .....	49
510001WP .....	49
510002QP .....	49
510002WP .....	49
Cable Connection Box	
39922 .....	25
Cap	
801746 .....	11
Caution Label	
500253 .....	31
Clamp Ring	
800312 .....	15
Clean Lint Label	
502804 .....	31
Clothes Guard	
803537 .....	15
Clothes Guard and Deflector Kit	
984P3 .....	15
Clothes Guard Deflector	
803038P .....	15
Combustion Duct	
510131 .....	41
Contacto Bracket	
511859 .....	49
Control Access Door	
801373 .....	5
Control Assembly	
802523P .....	5
804118 .....	5
Control Cabinet Bottom	
801777 .....	7
Control Harness Assembly	
801324P .....	61
801346P .....	61
Control Knob Assembly	
803119P .....	7
Control Panel Assembly	
802101W .....	7
Control Panel Harness Assembly	
801326P .....	61
802114 .....	61
Control Shield	
801061 .....	19

N/A items do not appear in index.

801371 .....	5
801372 .....	5
Control Wire Harness Assembly	
801353 .....	61
Cycle Switch	
801240 .....	7
Cylinder Assembly	
510159WP .....	35
510265P .....	35
Cylinder Baffle	
510102 .....	35
Cylinder Belt	
511255P .....	33
Cylinder Glide	
510188 .....	35
Cylinder Glide Bracket	
510145 .....	35
Cylinder Roller	
510708P .....	37
Cylinder Roller Bracket	
510100 .....	37
Cylinder Seal Assembly	
510207P .....	35, 37

---

## D

Damper	
58786 .....	49
Detergent Cover	
800899 .....	11
Directional Exhaust Kit	
528P3 .....	49
Disconnect Power Warning Label	
505281 .....	59
Dispenser	
685756P .....	11
801090P .....	11
Dispenser Assembly	
801476P .....	11
Dispenser Drawer Front	
685715Q .....	11
685715WP .....	11
Dispenser Drawer Tool	
318P4 .....	57
Dispenser Plate	
801024 .....	11
Dispenser-to-Door Seal Hose	
802256 .....	9, 11
Dispenser-to-Tub Hose	
800331 .....	11
Domed Label	
202128 .....	7
800921 .....	7
800922 .....	7
800923 .....	7
Door and Liner Assembly	
511636QP .....	29
511636WP .....	29
Door Assembly	
802368QP .....	9
802368WP .....	9
802617WP .....	9

Door Catch Assembly	
510177 .....	31
802803 .....	9
Door Glass	
802695P .....	9
Door Handle Wedge	
510129 .....	29
Door Hinge	
802934 .....	9
Door Latch/Switch Assembly	
802317P .....	9
Door Liner Grill	
503870W .....	29
Door Locked Warning Label	
802367 .....	59
Door Pull and Wedge Kit	
510103QP .....	29
510103WP .....	29
Door Seal Assembly	
802866P .....	9, 11
Door Seal Kit	
802830P .....	9, 11
Door Strike	
510181 .....	29
Door Strike Mount	
510127 .....	29
Drain Hose	
685730 .....	21
Drain Hose Sleeve	
33615 .....	21
Drain Kit	
985P3 .....	21
Drain Pump	
802623P .....	21
802624P .....	21
802625P .....	21
Drive Belt	
800319P .....	19
Driven Pulley	
800866 .....	17
Dryer Base	
510084 .....	49
Dryer Door	
510082QP .....	29
510082WP .....	29
Dryer Door Window	
503982 .....	29
Drying Rack	
512082P .....	35

---

## E

Elbow	
513072 .....	43
Elbow Shut-Off Valve	
510205 .....	43
Electrical Shock Label	
F8211201 .....	15, 59
502511 .....	59
Exhaust Duct	
510137 .....	49
Exhaust Warning Label	
500497 .....	59

N/A items do not appear in index.

Expansion Clip 70030501 .....	5, 7
Extension Spring 802285 .....	9
Extractor Tool 128P4 .....	53
190P4 .....	53

## F

Fabric Selector Switch 513505 .....	7
Felt Pad 510189 .....	35
Female Terminal 00188 .....	53
00255 .....	53
00256 .....	53
Fill Hose 20617 .....	13
20618 .....	13
37380 .....	13
37381 .....	13
Fill Hose Kit 38349P .....	13
Flexible Venting Kit 521P3 .....	49
Front Bulkhead Assembly 510266P .....	35
511033WP .....	35
Front Panel 510066QP .....	31
510066WP .....	31
802277QP .....	9
802277WP .....	9
Front Panel Assembly 513781W .....	31
Front Panel Seal 511056 .....	31
Fuse 801755 .....	19
Fuse Notice Label 61294 .....	49

## G

Gas Valve Assembly 510506P .....	43
59063P .....	43
60353P .....	43
Gas Valve Mounting Bracket 510128 .....	43
Gasket 802427 .....	21
Glass Mounting Clip 802700 .....	9
Glide Kit RB170003 .....	35
Graphic Overlay 801142 .....	7
802099 .....	7
803362 .....	7

Grommet 29175 .....	15
Grounding Clip 00161 .....	15

## H

Hardware Kit 838P3 .....	17
Harness Strap 55881 .....	9, 11, 27
Heat Duct Shroud 510101 .....	41
Heater 510325P .....	39
Heater Assembly 510324P .....	39
510326P .....	39
510327P .....	39
510329P .....	39
Heater Duct and Screw Assembly 510025P .....	39, 41
Heater Harness Assembly 802322P .....	15
Heater Kit 964P3 .....	39
Heater Kit Assembly 61927 .....	39
61928 .....	39
61929 .....	39
61930 .....	39
Heating Element Kit 803557P .....	15
Hinge 511036 .....	29
Hinge Hole Plug 510186 .....	31
Hinge Plate 802206 .....	9
Hole Plug M412154 .....	23
Hose Clamp F200204 .....	21
F200206 .....	11
39282 .....	15
685725 .....	11
802164 .....	9, 11, 13
802281 .....	9
802698 .....	9, 11
Hose Clip 36985 .....	5, 27
800553 .....	17
Hose Mounting Plate 800552 .....	17
Housing, 10 Position 500338 .....	53

## I

Idler Lever 510133 .....	33
-----------------------------	----

N/A items do not appear in index.

Idler Lever and Wheel Assembly 510158 .....	33
Idler Spring 510185 .....	33
Idler Wheel and Bearing Assembly 510142P .....	33
Igniter and Bracket Assembly 510184P .....	43
Inner Basket Assembly 802365P .....	17
803008P .....	17
Inner Door Bezel Kit 802307P .....	9
Insert 685716 .....	11
Inverter Control Assembly 803254P .....	19
803255P .....	19

## J

Jumper Assembly 801333 .....	5
Jumper Configuration Assembly 804212 .....	5
Jumper Harness 513268 .....	19
513316 .....	19
Junction Box 801403 .....	25
Junction Box Cover 801404 .....	25
Junction Box Seal 801425P .....	25

## K

Knob Assembly 36701Q .....	7
36701W .....	7

## L

Lead-In Cord 201574 .....	25
34458 .....	27
512019 .....	51
59308 .....	51
59373 .....	51
Lead-In Pipe Assembly 510204 .....	43
Left Control Cabinet Side 800900QP .....	5
800900WP .....	5
Leveling Leg 34319 .....	23
510135 .....	49
Lid Assembly 802426P .....	21

Light 801431 .....	7
801432 .....	7
Limit Thermostat 510701 .....	39
510702 .....	41
Line Filter 201058 .....	25
Liner and Seal Assembly 510098W .....	29
Liner Door Seal 510147P .....	29
Lint Filter 503980 .....	35
Lint Filter Cover 510502 .....	35
Lower Junction Box 801433 .....	25
L.P. Conversion Kit 649P3 .....	43
L.P. Orifice 503786 .....	45
58755 .....	45
60941 .....	45

## M

Manual Reset Thermostat M411941 .....	33
Mixing Valve 802220P .....	13
802222P .....	13
Mixing Valve Plate 800323 .....	13
Mixing Valve Screen 802926 .....	13
Motor Access Hole Edging 801702 .....	23
Motor and Pulley Assembly 505843P .....	33
505869P .....	33
511629P .....	33
Motor and Rod Assembly Kit 801684P .....	19
Motor Harness Assembly 802274P .....	61
803581 .....	61
Motor Hub Ring Kit 590P3 .....	33
Motor Mount 510060 .....	33
Motor Mount Clamp 510180 .....	33
Motor Mount Rod 801062 .....	19
Motor Pulley 500011 .....	33
500222 .....	33

N/A items do not appear in index.

---

**N**

Nut	
F430218 .....	15, 17
03673 .....	27
21899 .....	23
23951 .....	9
36020 .....	9
52566 .....	33
56156 .....	33, 37
685846 .....	9
800452 .....	15, 17
800931 .....	5
802292 .....	9, 11
802343 .....	15
803017 .....	17
N.G. Conversion Kit	
650P3 .....	43
N.G. Orifice	
503776 .....	47
503778 .....	47
503779 .....	47
503780 .....	47
503781 .....	47
503782 .....	47
510517 .....	47

---

**O**

O-Ring	
802429 .....	21
Outer Bezel Assembly	
802616WP .....	9
Outer Door Bezel Kit	
802313QP .....	9
802313WP .....	9
Outer Tub Assembly	
801081P .....	15
801291 .....	15
Outlet Cover	
500820 .....	39, 41
Out-of-Balance Switch Assembly	
801006 .....	15
803415 .....	15
Oversudsing Label	
802074 .....	59
802838 .....	59
802839 .....	59

---

**P**

Panel Kit	
727P3Q .....	49
727P3W .....	49
Panel Locator	
56079 .....	9, 23, 31, 49
Pinched Fingers Label	
F8211301 .....	15, 59
Pop Rivet	
685847 .....	17

---

Porcelain Touch-Up Paint	
122P4P .....	49
370P4P .....	49
Power Cord Assembly	
39931 .....	25
57397 .....	51
58992 .....	51
801450 .....	25
801660 .....	25
Pressure Bulb	
30907 .....	15
Pressure Switch	
802299P .....	5
Pulley Bolt Tightening Fixture	
802336 .....	57
Pump Housing	
802428 .....	21
Pump Housing Assembly	
802434P .....	21
Pump Mount Bracket	
802626 .....	21
Push-to-Start Switch	
801434Q .....	7
801434W .....	7

---

**R**

Rear Access Panel	
800011 .....	23
Rear Bulkhead Assembly	
510905WP .....	37
511082P .....	37
Rear Control Cabinet	
801058 .....	5
Rear Panel	
800010P .....	23
Resistor	
210100 .....	5
Resistor Assembly	
511277 .....	7
Retainer Clip	
36014 .....	21
Retaining Ring	
23748 .....	19, 33, 37
Right Control Cabinet Side	
800915Q .....	5
800915W .....	5
Rocker Switch	
38424Q .....	7
38424W .....	7
Roller Kit	
RB170002 .....	37
Rubber Foot	
34318 .....	23

---

**S**

Screw	
M400043 .....	17, 55
M400057 .....	19
M405188 .....	23
20530 .....	51

---

N/A items do not appear in index.

23222	33, 39, 43
31260	33
31645	23
33562	31
39733	9, 23, 31, 49
430497	5, 23
500226	29
500824	33
501086	7, 13
501285	35, 37
501524	5, 19
502431	49
503661	5, 9, 13, 15, 19, 21, 23, 25, 49
503688	5, 31, 33, 35, 37, 39, 41, 43, 49
505295	29, 35
505870	29
51782	41, 43
52864	35
56124	43
61199	37
62588	35
62853	31
685831	17
685837	27
800461	15
800462	15, 17
800548	9, 11
800930	7
801001	11
801019	9
801045	9
801993	9
802430	21
802431	21
802596	15
Screw Label	
685928	23
Screw Orifice	
58719	47
Seal Kit	
RB170001	35, 37
Sealant	
27615P	21
Secondary Coil	
58804B	43
Security Cabinet Harness	
511324P	61
Security Cabinet Harness Assembly	
511323	61
511752P	61
511767	61
Sensor	
510213	43
Shaft	
56461P	33, 37
Shipping Bracket Label	
686901	55
Shipping Materials Kit	
930P3	55
Side Panel Kit	
800005QP	23
800005WP	23
Snap Bushing	
M402542	5, 25
Speed Clip	
28835	31

Standpipe Strap	
33489	21
Strain Relief	
32219	21
38384	27, 51
52113	51
52151	51
60298	51
Strain Relief Adapter	
502496	51
Switch	
512973	31
Switch Mounting Bracket	
800663	15
803388	15

---

## T

Temperature Switch	
35117	7
687542	7
Tension Rod Assembly	
800666	17
Terminal Block Assembly	
510190P	37
Terminal Block Shield	
510237	37
Terminal Extractor Tool	
283P4	53
Thermal Fuse Assembly	
511412	39
Thermistor	
803256	15
Thermostat	
504515	33
510707P	33
511887	33
511957	33
Thermostat Opening Cover	
61203	23
Timer	
502964P	7
505794P	7
505795P	7
505796P	7
Timer and Harness Kit	
505797P	7
Timer Knob Assembly	
512117Q	7
512117W	7
803118P	7
Top Hinge	
510136	49
Top Kit	
510032QP	49
510032WP	49
Torx Bit	
282P4	57
Transformer	
210018P	5
803527P	5
Transformer Kit	
511658P	49

N/A items do not appear in index.

Trunnion Shaft and Hardware Kit	
800749P .....	17
Tub Front Assembly	
802258 .....	15
802259 .....	15
Tub Front Seal	
800432P .....	15, 17
Tub Shock Absorber Kit	
800622P .....	15
Tubing	
800648P .....	15
Tub-to-Pump Hose	
800317 .....	21

## U

Upper Harness Assembly	
511322P .....	61
511325P .....	61

## V

Valve Kit	
685766P .....	11
801836P .....	11
Valve-to-Dispenser Inlet Hose	
801464 .....	11, 13
Venting Instruction Label	
502791 .....	59
Voltage Warning Label	
62104 .....	59

## W

Warning Label	
500049 .....	15, 59
500314 .....	15, 59
512263 .....	31
803260 .....	59
803522 .....	59
Warning/Caution Label	
500281 .....	31
Washer	
M400014 .....	55
M400080 .....	19
M400081 .....	15
M403958 .....	17
02834 .....	19
03815 .....	27
20290 .....	13
26509 .....	49
504082 .....	37
52549 .....	19, 33, 37
800457 .....	15, 17
800464 .....	17
802254 .....	13
802293 .....	9, 11
803615 .....	13
Water Hose	
F200116 .....	13

Window Trim	
503981Q .....	29
503981W .....	29
512633 .....	29
Wire Assembly	
510527 .....	39
510528 .....	39
Wire Clamp	
800811 .....	15
Wire Clamp Ring	
802283 .....	9
Wire Clip	
504034 .....	27
687500 .....	9, 11, 27
Wire Harness Assembly	
510622 .....	37
511303 .....	49
511750P .....	61
511751 .....	61
511781 .....	61
Wire Tie	
38663 .....	27
Wire, 12 Gauge	
45380 .....	61
Wire, 18 Gauge	
45001 .....	61
Wrench	
392P4 .....	57

N/A items do not appear in index.

