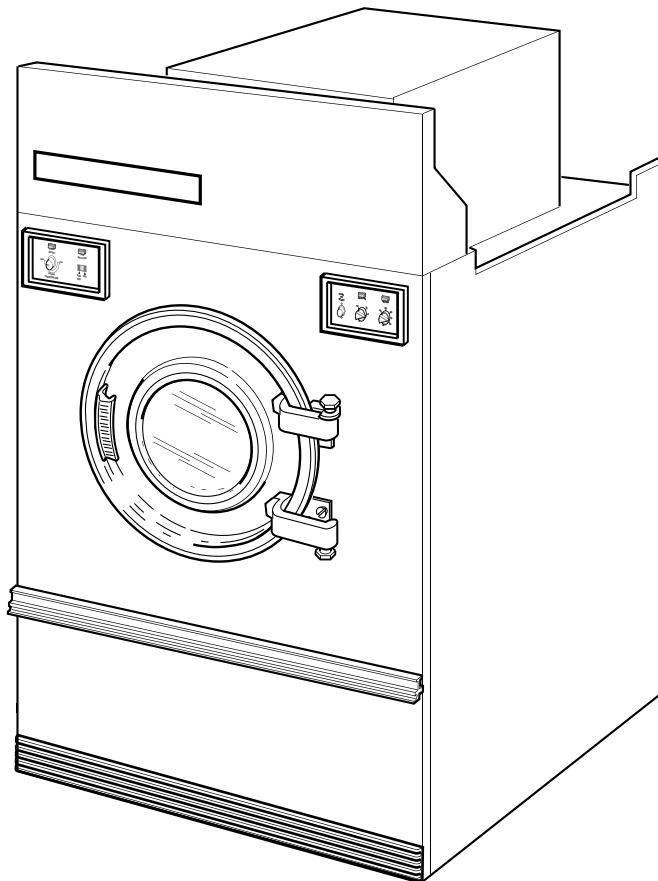


# Drying Tumblers

120 Pound Capacity

170 Pound Capacity

Refer to Page 3 for Model Numbers



TMB1273C\_70410701



# Table of Contents

Title	Page
Parts Ordering Information.....	2
Serial Plate Location .....	2
Model Identification .....	3
Dual Timer Controls - MT Control Suffix .....	4
Temperature Controls .....	6
OPL Micro Control - MM Control Suffix.....	8
OPL Micro Control - OM Control Suffix.....	10
Access and Lint Panels.....	12
Front Panel .....	14
Door Assembly.....	16
Lint Screen and Drive Guard - 120 Pound Models .....	18
Lint Screen and Drive Guard - 170 Pound Models .....	20
Drive Sheave, Step Pulley and Belts .....	22
Trunnion Bearings.....	24
Cylinder Drive Motor .....	26
Fan Motor and Fan Assembly - 120 Pound 60 Hertz Models .....	28
Fan Motor and Fan Assembly - 120 Pound 50 Hertz Models .....	30
Fan Motor Assembly - 170 Pound Models .....	32
Fan Assembly - 170 Pound Models Through 4/8/98.....	34
Fan Assembly - 170 Pound Models Starting 4/9/98.....	36
Airflow Switch Assembly .....	38
Cylinder and Trunnion Shaft .....	40
Gas Burner Unit - 120 Pound Models .....	42
Gas Burner Unit - 170 Pound Models .....	44
Gas Burner Orifices .....	46
Steam Heating Unit.....	48
Exhaust System Components - 170 Pound Models .....	50
Contactator Box Assembly - A, DT, JT and ST Models .....	52
Contactator Box - 120 Pound DC, JC and SC Models .....	54
Contactator Box Assembly - 170 Pound DC, JC and SC Models.....	56
Contactator Box Harnesses .....	58
Transformer Harness - DC, JC and SC Models.....	60
Parts Index.....	63

© Copyright 2009, Alliance Laundry Systems LLC

All rights reserved. No part of the contents of this book may be reproduced or transmitted in any form or by any means without the expressed written consent of the publisher.

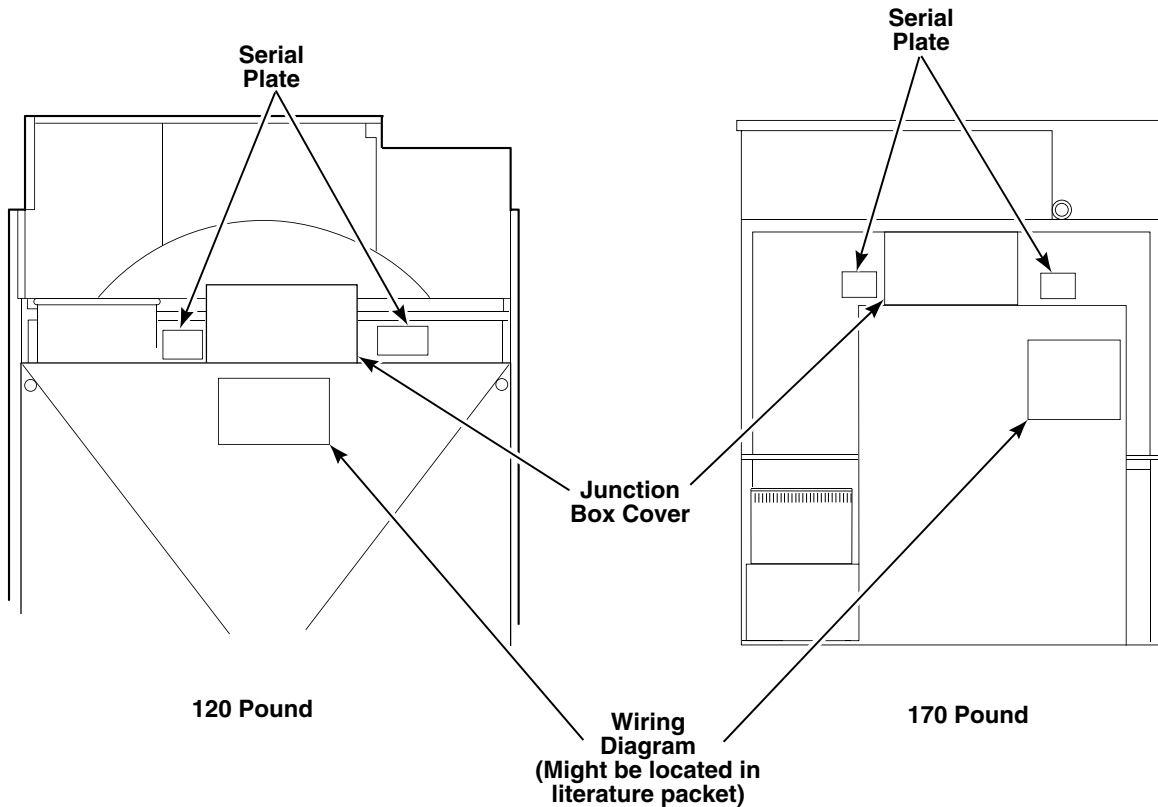
# Parts Ordering Information

If literature or replacement parts are required, contact the source from whom the machine was purchased or contact Alliance Laundry Systems at (920) 748-3950 for the name and address of the nearest authorized parts distributor.

For technical assistance, call (920) 748-3121.

## Serial Plate Location

When calling or writing about your product, be sure to mention model and serial numbers. Model and serial numbers are located on serial plate(s) as shown.



TMB2659P\_70410701



## Model Identification

Information in this manual is applicable to these tumbler models:

AT120CSH	DC120CSH	JC120CSH	SC120AT
AT120FG	DC120FG	JC120FG	SC120CSH
AT170CSH	DC170CSH	JC170CSH	SC120FG
AT170FG	DC170FG	JC170FG	SC170CSH
	DT120CSH	JT120CSH	SC170FG
	DT120FG	JT120FG	ST120AT
	DT170CSH	JT170CSH	ST120CSH
	DT170FG	JT170FG	ST120FG
		JTD120CG	ST170CSH
		JTD120CSH	ST170FG
			STD120CG
			STD120CSH

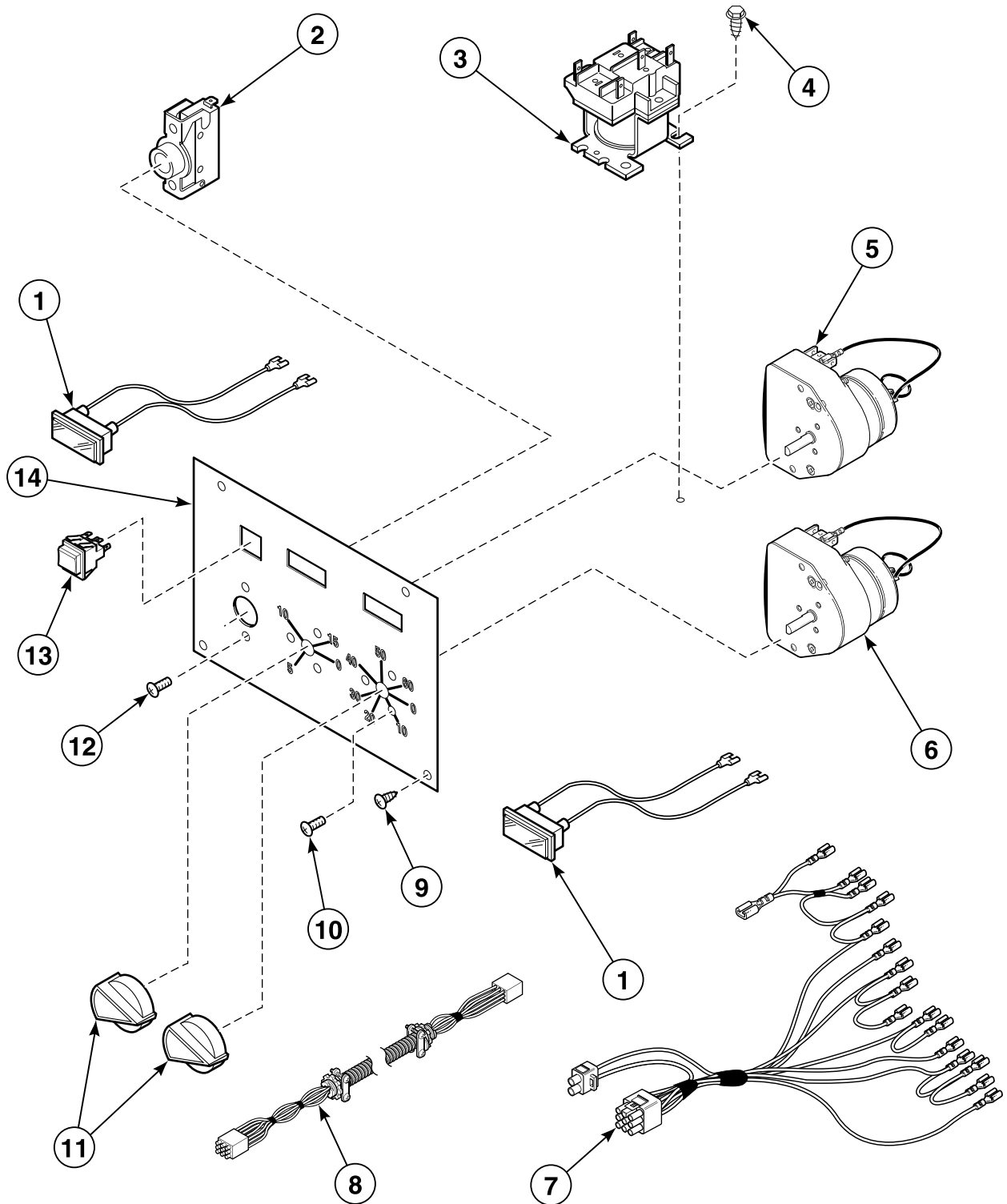
### Control Suffixes:

MM – OPL micro

MT – manual timer

OM – OPL micro

# Dual Timer Controls - MT Control Suffix



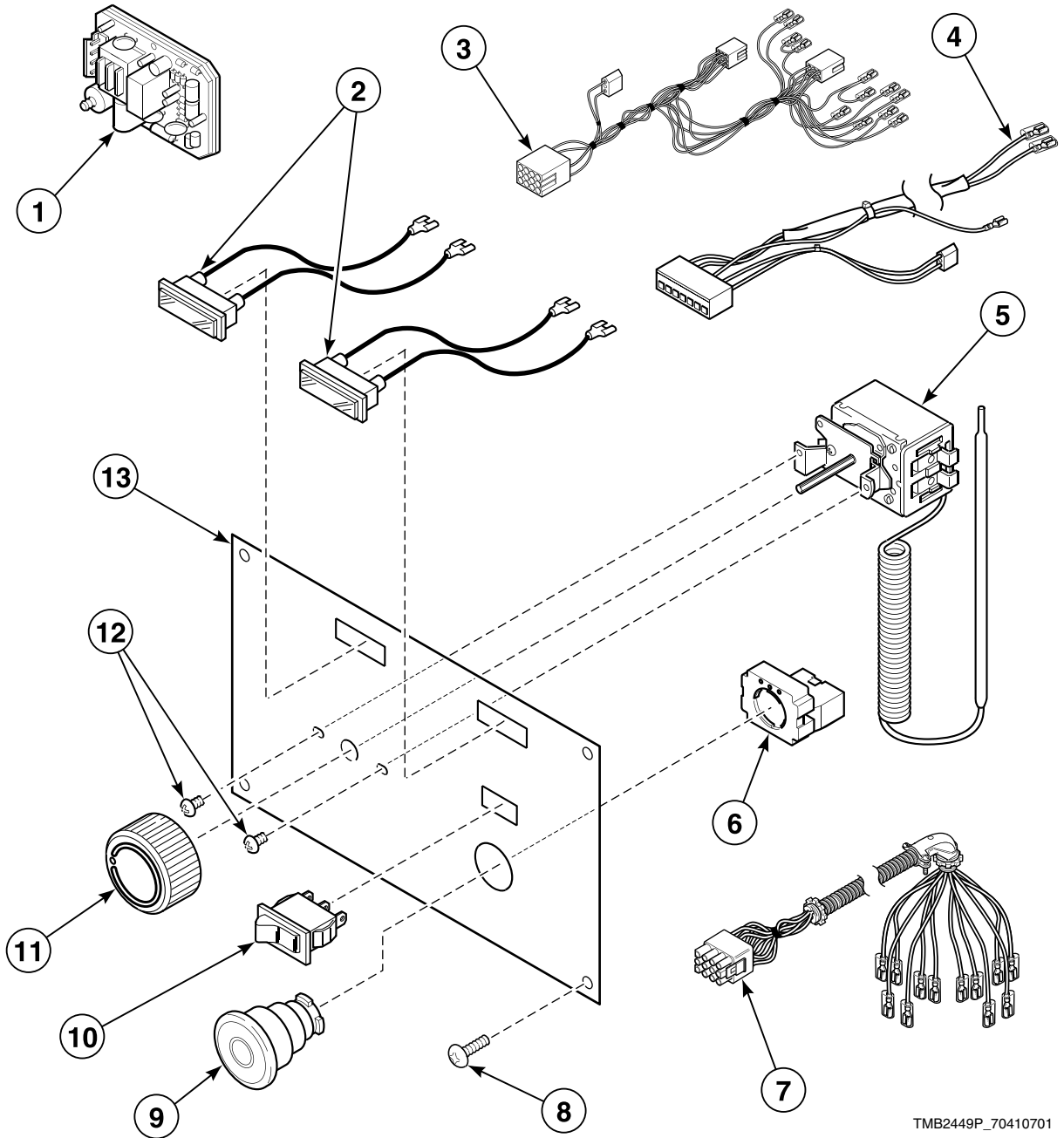
TMB2444P\_70410701

## Dual Timer Controls - MT Control Suffix

REF	PART NO.	DESCRIPTION	COMMENTS
1	JST-163-2	Pilot Light	60 Hertz; A, DT, JT and ST models
	M400704	Pilot Light	50 Hertz; DT, JT and ST models
	M412234	Indicator Light	DC, JC and SC models
2	44106901P	Push-to-Start Switch Kit	A, DT, JT and ST models
	M412230	Contact Block	DC, JC and SC models
3	M400912P	Relay	60 Hertz
	M400911P	Relay	50 Hertz; DT, JT and ST models
4	51780	Screw	
5	M410900P	Timer Kit	Cooling; 60 Hertz; 15 minute
	M410902P	Timer Kit	Cooling; 50 Hertz; 15 minute
	M412079P	Timer	Cooling; 15 minute; DC, JC and SC models
6	M410901P	Timer Kit	Drying; 60 Hertz; 60 minute
	M410903P	Timer Kit	Drying; 50 Hertz; 60 minute
	M412080P	Timer	Drying; 60 minute; DC, JC and SC models
7	M413055	Timer Harness Assembly	A, DT, JT and ST models
	M413641	Timer Harness Assembly	DC, JC and SC models
8	M413210	Control Box Harness Assembly	A, DT, JT and ST models
9	N/A	Screw	
10	M411052	Screw	
11	M400773	Knob	Timer; A, DT and ST models
	M410927	Knob	Timer; JT models
12	M400072	Screw	
13	M413431	Pushbutton Switch	Ignition reset; DC, JC and SC gas models
14	N/A	Timer Panel	DT models; Black
	M411575	Timer Panel	A and ST models
	N/A	Timer Panel	JT models; Silver
	N/A	Timer Panel	JT models; Cocoa
	N/A	Timer Panel	SC models
	N/A	Timer Panel	JC models
	N/A	Timer Panel	DC models

**N/A = Part no longer available**

# Temperature Controls



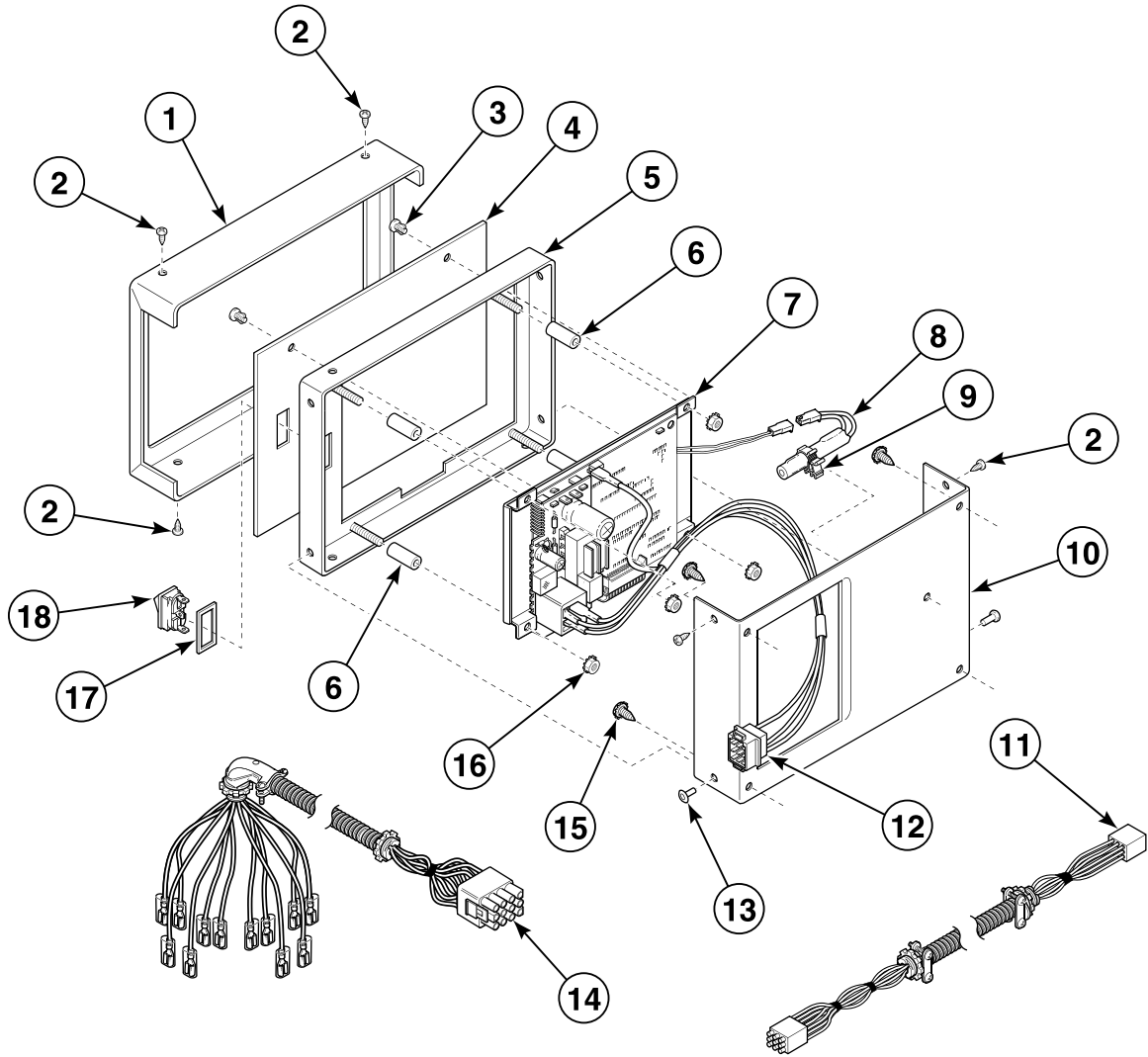
TMB2449P\_70410701

# Temperature Controls

REF	PART NO.	DESCRIPTION	COMMENTS
	91024P	Fuse Receptacle	A, DT, JT and ST models
	M413118	Fuse	A, DT, JT and ST models
	M405363	Terminal Block	
	500823	Rotary Signal	60 Hertz
	M401391P	Transformer	50 Hertz; DT, JT and ST gas models with MT control suffix; On 60 Hertz models, transformer is located in contactor box
<b>1</b>	M406789P	Ignition Control	120 Volt; A, DT, JT and ST reversing models with MM and MT control suffixes
	70367301P	Ignition Control	24 Volt; A, DT, JT and ST reversing models with OM control suffix
	M410904P	Instant Electronic Ignition Control	Australian reversing models with OM control suffix
	70367401P	Ignition Control	DC, JC and SC reversing models with MT and OM control suffixes
<b>2</b>	JST-163-2	Pilot Light	60 Hertz
	M400704	Pilot Light	50 Hertz; DT, JT and ST models
	M412234	Indicator Light	50 Hertz; 120 pound DC, JC and SC models
<b>3</b>	N/A	Control Harness Assembly	A, DT, JT and ST models with MT control suffix
<b>4</b>	N/A	Ignition Control Harness Assembly	A, DT, JT and ST gas models with MM and MT control suffixes; Used with 70367301P Ignition Control
	M413534P	Ignition Control Harness Assembly	A, DT, JT and ST gas models with OM control suffix; Used with 70367301P Ignition Control
<b>5</b>	M411333P	Thermostat	
<b>6</b>	N/A	Contact Block	DC, JC and SC models
<b>7</b>	N/A	Main Harness Assembly	A, DT, JT and ST models with MM control suffix
<b>8</b>	N/A	Screw	
<b>9</b>	N/A	Emergency Stop Pushbutton	DC, JC and SC models
<b>10</b>	M413270	Rocker Switch	
<b>11</b>	M411344	Temperature Knob	A, DT and ST models
	M411345	Temperature Knob	JT models
<b>12</b>	M400072	Screw	
<b>13</b>	N/A	Thermostat Panel	DT models
	M411572	Thermostat Panel	A and ST models
	N/A	Thermostat Panel	JT models; Silver
	M411574	Thermostat Panel	JT models; Cocoa
	N/A	Thermostat Panel	SC models
	N/A	Thermostat Panel	JC models
	N/A	Thermostat Panel	DC models

**N/A = Part no longer available**

# OPL Micro Control - MM Control Suffix



TMB2450P\_70410701

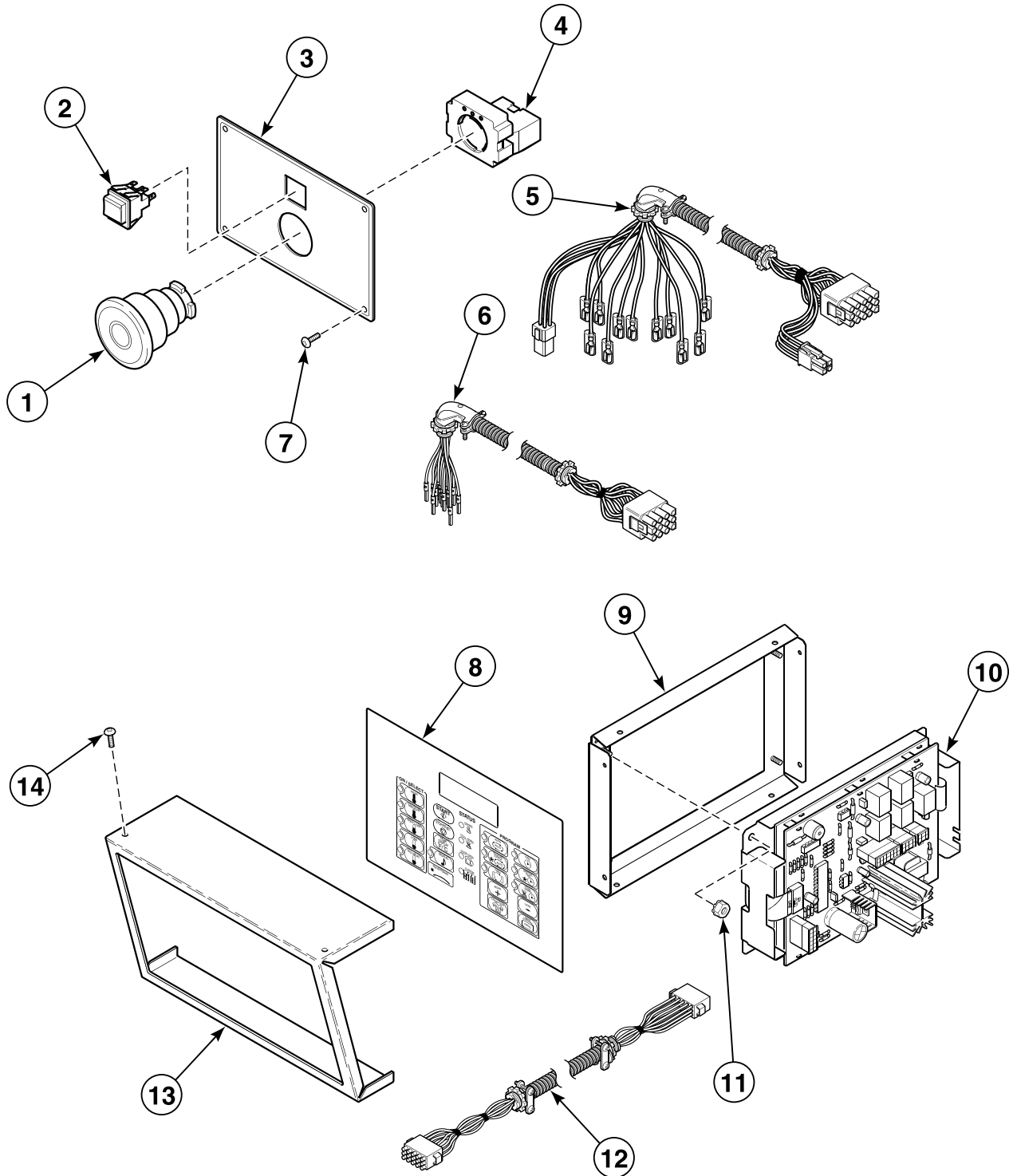
## OPL Micro Control - MM Control Suffix

REF	PART NO.	DESCRIPTION	COMMENTS
1	M413089*	Face Plate	
2	M400664	Screw	
3	N/A	Hole Plug	
4	M412961	Microprocessor Overlay	DT models
	N/A	Microprocessor Overlay	ST models
	N/A	Microprocessor Overlay	JT models
5	M413094	Micro Mounting Plate	
6	N/A	Spacer	
7	N/A	Control and Carton Kit	
8	N/A	Battery	
9	N/A	Clamp	
10	N/A	Mounting Plate	
11	M413210	Control Box Harness Assembly	A, DT, JT and ST models
12	M413146	Micro Control Harness Assembly	
13	M400713	Drive Rivet	
14	N/A	Main Harness Assembly	A, DT, JT and ST models
15	N/A	Screw	
16	70054	Nut	
17	M413236	Switch Plate	
18	M413270	Rocker Switch	

\* Add Letter To Designate Color. L - Almond W - White

N/A = Part no longer available

# OPL Micro Control - OM Control Suffix



TMB2408P\_70410701

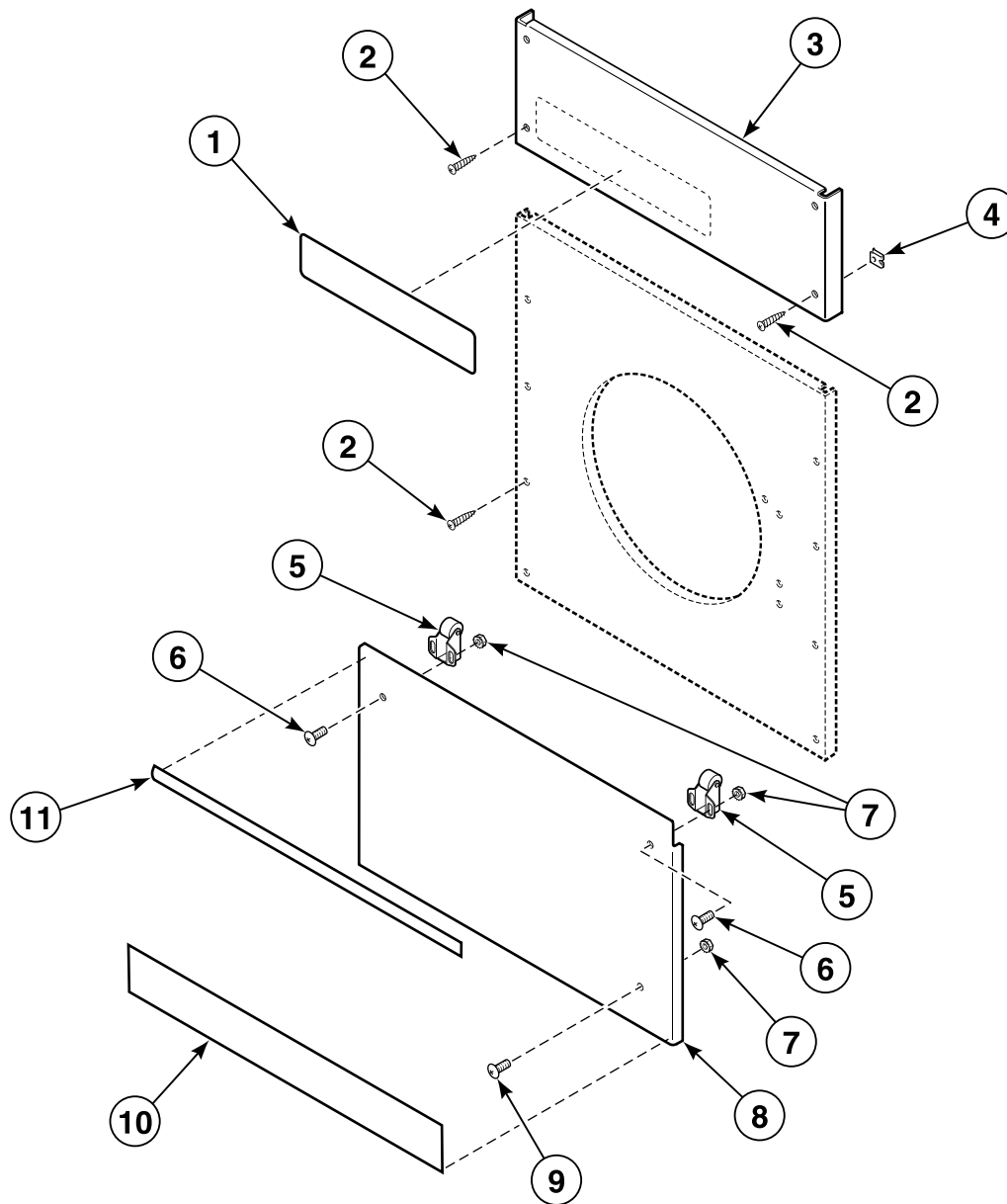


## OPL Micro Control - OM Control Suffix

REF	PART NO.	DESCRIPTION	COMMENTS
	M413794W	Mounting Plate	
1	N/A	Pushbutton	Emergency stop; DC, JC and SC models
2	M413431	Pushbutton Switch	Ignition reset; DC, JC and SC gas models
3	N/A	Emergency Stop Panel	DC and SC gas models
	M414245R	Emergency Stop Panel	DC and SC steam models
	N/A	Emergency Stop Panel	JC models
4	N/A	Contact Block	DC, JC and SC models
5	N/A	Main Harness Assembly	A, DT, JT and ST models
6	N/A	Main Harness Assembly	DC, JC and SC models
7	N/A	Screw	
8	N/A	Microprocessor Overlay	A and ST models
	M413420	Microprocessor Overlay	DC and SC models
	M413422	Microprocessor Overlay	JT models
	N/A	Microprocessor Overlay	JC models
	M413426	Microprocessor Overlay	DT models
9	N/A	Micro Mounting Assembly	
10	70228401P	Control Kit	
11	70054	Nut	
12	M413210	Control Box Harness Assembly	120 pound A, DT, JT and ST models
	N/A	Control Box Harness Assembly	170 pound models
13	M413793W	Face Plate	
14	M400664	Screw	

**N/A = Part no longer available**

# Access and Lint Panels



TMB1729P\_70410701

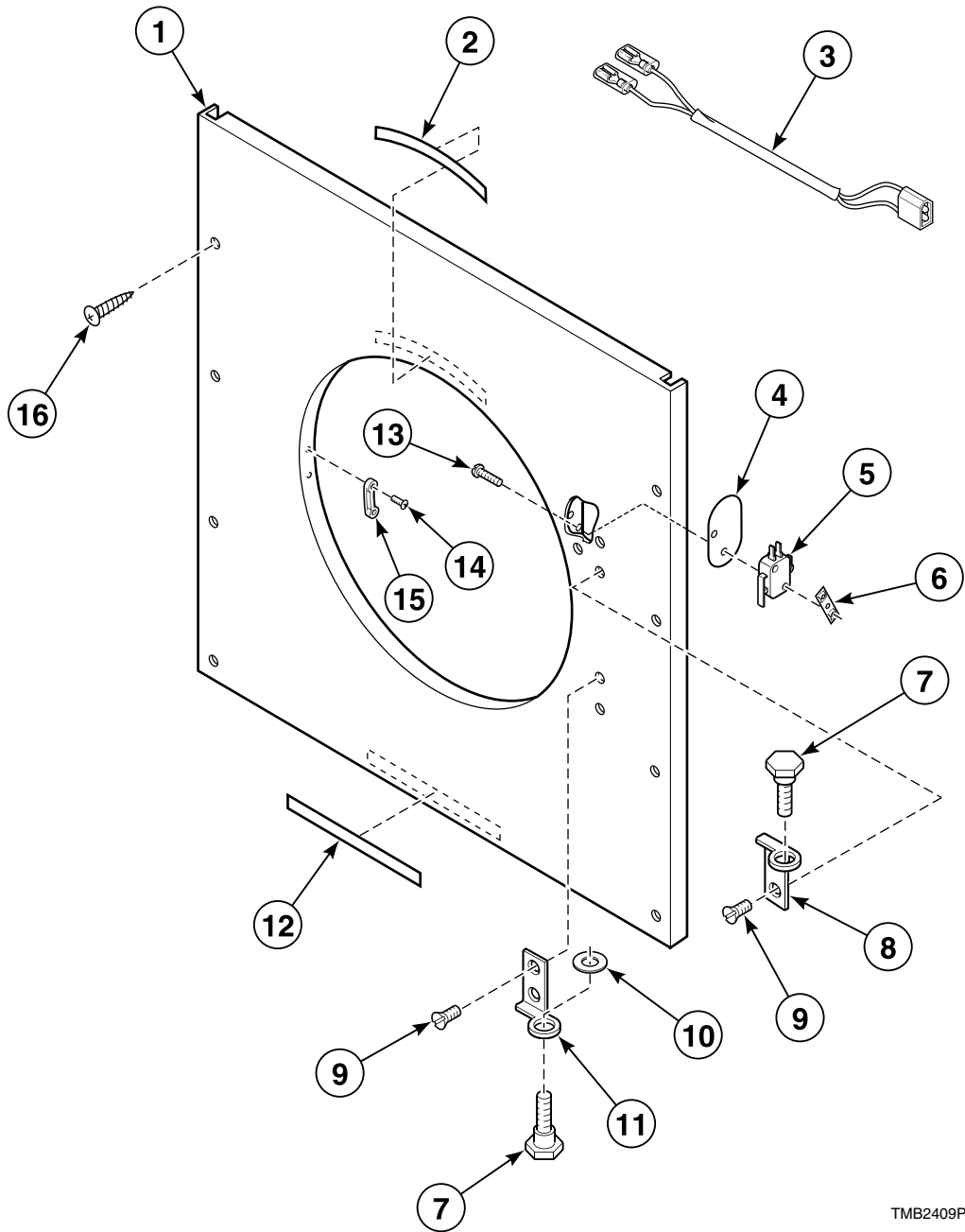
## Access and Lint Panels

REF	PART NO.	DESCRIPTION	COMMENTS
	M412980W	Top Access Panel Gusset	Left; Attach to item 3
	M412979W	Top Access Panel Gusset	Right; Attach to item 3
	44017801	Lint Panel Clip	Attached to back of lint panel with 2 of item 6 and 2 of item 7
	430757	Screw	6 required; Not included with item 11
<b>1</b>	M412963	Nameplate Overlay	D models
	M410355	Nameplate	S models
	44010401	Nameplate	J models
	N/A	Nameplate Overlay	A models
<b>2</b>	M411267	Screw	
<b>3</b>	M411348*P	Access Panel	Painted ; 120 pound models
	N/A	Access Panel	Stainless steel; 120 pound models
	M412950*P	Access Panel	Painted ; 170 pound models
	M412951	Access Panel	Stainless steel; 170 pound models
<b>4</b>	H8841927H	Nut	U-Clip
<b>5</b>	H87020202	Roller Catch	Includes strike
<b>6</b>	M400044	Screw	
<b>7</b>	23951	Nut	
<b>8</b>	M411453*P	Lint Panel	Painted; 120 pound models
	M411454	Lint Panel	Stainless steel; 120 pound models
	M411455*P	Lint Panel	Painted ; 170 pound models
	M411456	Lint Panel	Stainless steel; 170 pound models
<b>9</b>	M414504	Screw	
<b>10</b>	N/A	Kickplate Kit	
<b>11</b>	N/A	Lint Panel Bumper	Black; 120 pound models
	M411559	Lint Panel Bumper	Cocoa; 120 pound models
	N/A	Lint Panel Bumper	Black; 170 pound models
	N/A	Lint Panel Bumper	Cocoa; 170 pound models

\* Add Letter To Designate Color. L - Almond W - White

N/A = Part no longer available

# Front Panel



TMB2409P\_70410701

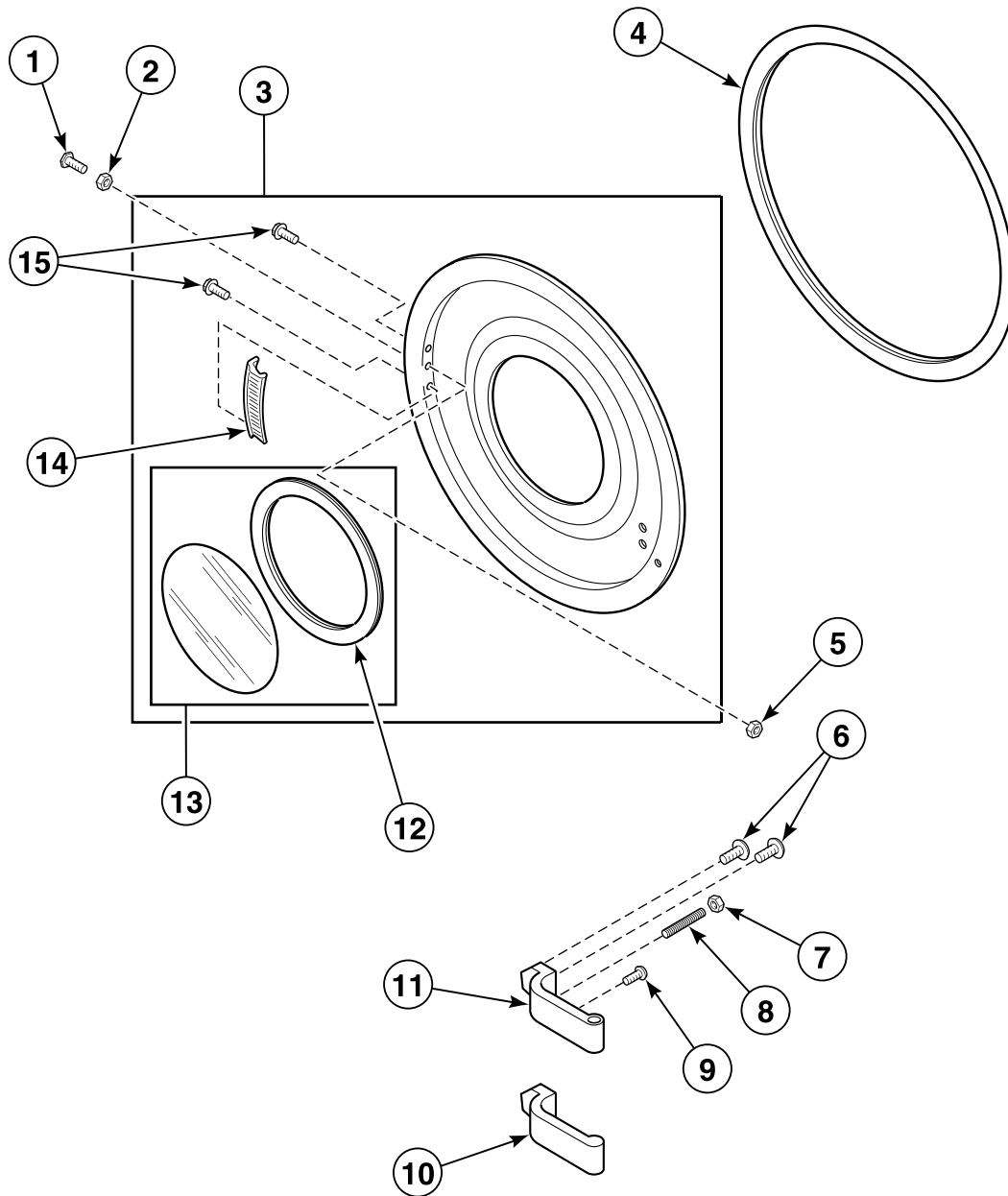
# Front Panel

REF	PART NO.	DESCRIPTION	COMMENTS	
	M412551	Flexible Coupler	DC, JC and SC models	
1	M411383WP	Front Panel	Painted; 120 pound A, DT, JT and ST models with MT control suffix	
	M411384	Front Panel	Stainless steel; 120 pound A, DT, JT and ST models with MT control suffix	
	M413074*	Front Panel	Painted; 120 pound DC, JC and SC models	
	M413075	Front Panel	Stainless steel; 120 pound DC, JC and SC models	
	M413092*P	Front Panel	Painted; 120 pound A, DT, JT and ST models with MM and OM control suffixes	
	M413274	Front Panel	Stainless steel; 120 pound A, DT, JT and ST models with MM and OM control suffixes	
	M412948*	Front Panel	Painted; 170 pound A, DT, JT and ST models with MT control suffix	
	M412949	Front Panel	Stainless steel; 170 pound A, DT, JT and ST models with MT control suffix	
	M413178*	Front Panel	Painted; 170 pound A, DT, JT and ST models with MM and OM control suffixes	
	M413276	Front Panel	Stainless steel; 170 pound A, DT, JT and ST models with MM and OM control suffixes	
	M414256*	Front Panel	Painted; 170 pound DC, JC and SC models	
	M414257	Front Panel	Stainless steel; 170 pound DC, JC and SC models	
	2	M410892	Warning Label	
	3	M413054	Door Switch Harness Assembly	A, DT, JT and ST models
4	H96418728	Mounting Insulation		
5	H96422241	Door Switch	A, DT, JT and ST models	
	M4842P3	Door Safety Switch Kit	DC, JC and SC models	
6	M400979	Nut		
7	M410029	Hinge Pin		
8	M410041P	Panel Hinge Kit	Upper	
9	H88129648	Screw		
10	M400671	Washer		
11	M410042P	Panel Hinge Kit	Lower	
12	N/A	Lint Compartment Label	A, DT and ST models	
	430527	Lint Compartment Label	JT models	
13	H88110267	Screw	A, DT, JT and ST models	
	M412531	Screw	DC, JC and SC models	
14	M400072	Screw		
15	M401223	Door Latch		
16	M411267	Screw		

\* Add Letter To Designate Color. L - Almond W - White

N/A = Part no longer available

# Door Assembly



TMB2062P\_70410701

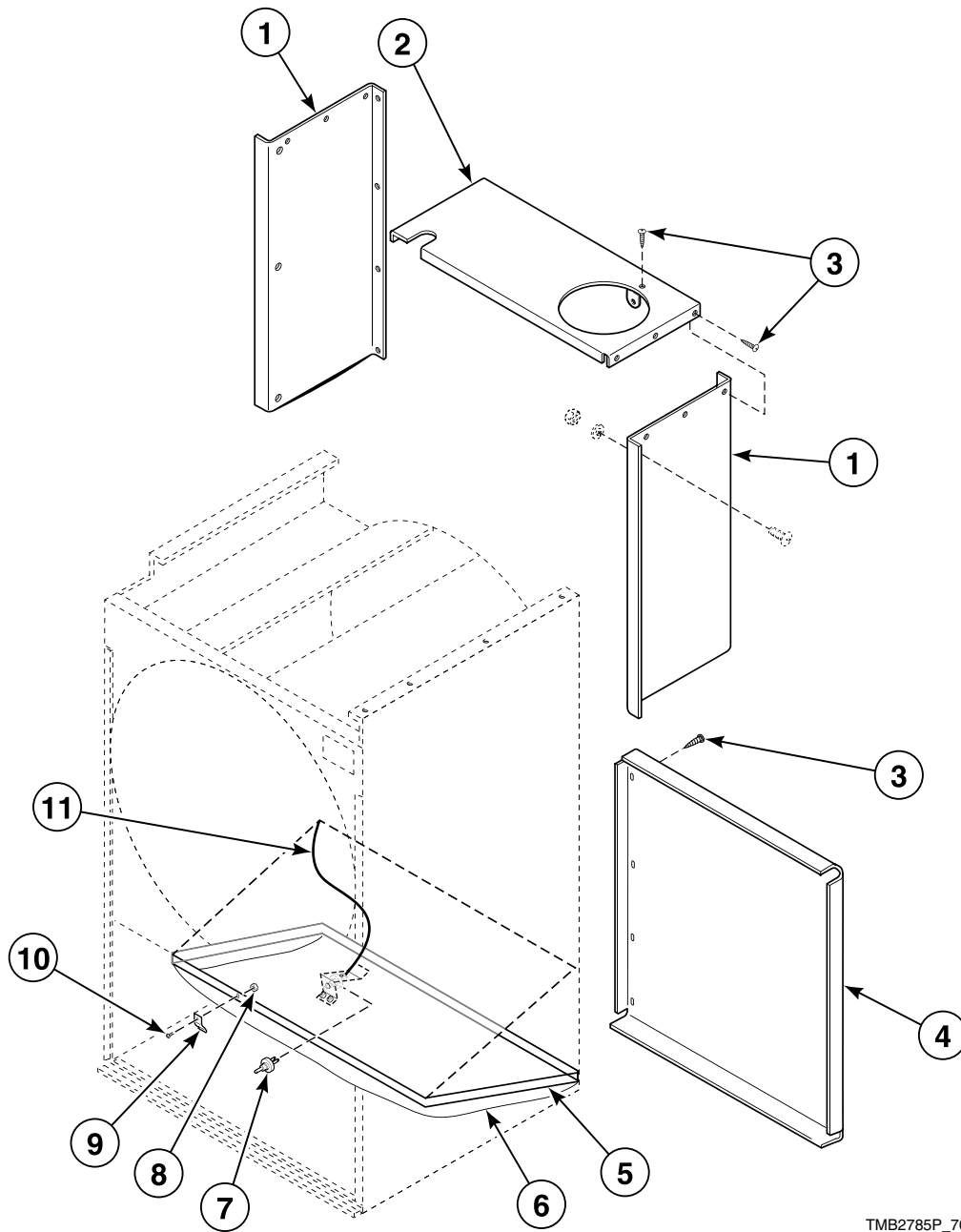
# Door Assembly

REF	PART NO.	DESCRIPTION	COMMENTS
1	M400661	Screw	
2	Q6163	Nut	
3	M410289*P	Loading Door Assembly	Painted
	M410290	Loading Door Assembly	Stainless steel
4	H96409156P	Loading Door Gasket	
5	70054	Nut	
6	H88129648	Screw	
7	51236	Nut	
8	N/A	Screw	Actuator
9	M400044	Screw	
10	M410031	Lower Door Hinge	Silver; JT models
	M410702P	Lower Door Hinge	Cocoa; A, DT and ST models
11	M410030	Upper Door Hinge	Silver; JT models
	M410701P	Upper Door Hinge	Cocoa; A, DT and ST models
12	70211904P	Door Seal Kit	
13	M409899P	Door Glass and Seal Kit	Includes item 12
14	M400133	Door Handle	
15	M409385	Screw	

\* Add Letter To Designate Color. L - Almond W - White

N/A = Part no longer available

# Lint Screen and Drive Guard - 120 Pound Models



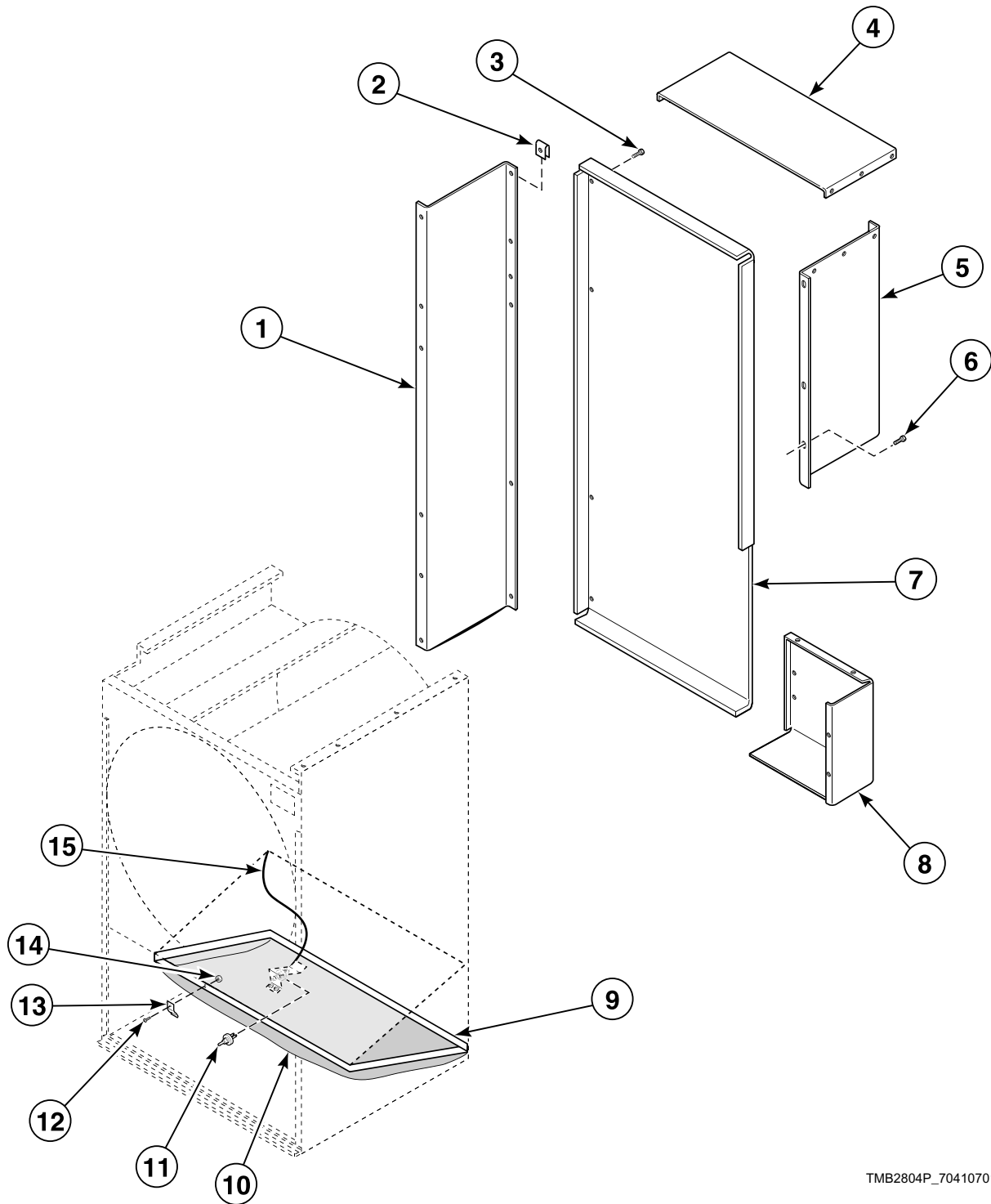
TMB2785P\_70410701



## Lint Screen and Drive Guard - 120 Pound Models

REF	PART NO.	DESCRIPTION	COMMENTS
	H87020202	Roller Catch	2 required; For lint screen
	M411223P	Belt Guard	Bottom
1	M414491P	Belt Guard	Side
2	M411222	Belt Guard	Top
3	M400664	Screw	
4	M414492P	Belt Guard	Cover
5	M409652	Lint Screen Frame	
6	44063602	Lint Screen	
	44077702P	Lint Screen	With snaps
7	M414704	Thermistor	OM control suffix
	M413212P	Thermistor Assembly	MM control suffix
8	23951	Nut	
9	H96418413	Lint Screen Clip	
10	M400044	Screw	
11	M413552P	Sensor Cable Assembly	OM control suffix
	M413343	Sensor Harness Assembly	MM control suffix

# Lint Screen and Drive Guard - 170 Pound Models



TMB2804P\_70410701

## Lint Screen and Drive Guard - 170 Pound Models

REF	PART NO.	DESCRIPTION	COMMENTS
	M412980W	Top Access Panel Gusset	
1	N/A	Belt Guard Side	Right
2	M400984	Clip	Speed nut
3	N/A	Screw	
4	N/A	Belt Guard Top	
5	M413136	Belt Guard Side	Left
6	430497	Screw	
7	M414284	Belt Guard Cover	
8	N/A	Belt Guard Corner	
9	H96362025	Lint Screen Frame	
10	44063603P	Lint Screen	
	44077703P	Lint Screen	With snaps
11	M414704	Thermistor	MM and OM control suffixes
12	M400044	Screw	
13	H96418413	Lint Screen Clip	
14	23951	Nut	
15	M413552P	Sensor Cable Assembly	OM control suffix
	N/A	Sensor Cable Assembly	MM control suffix

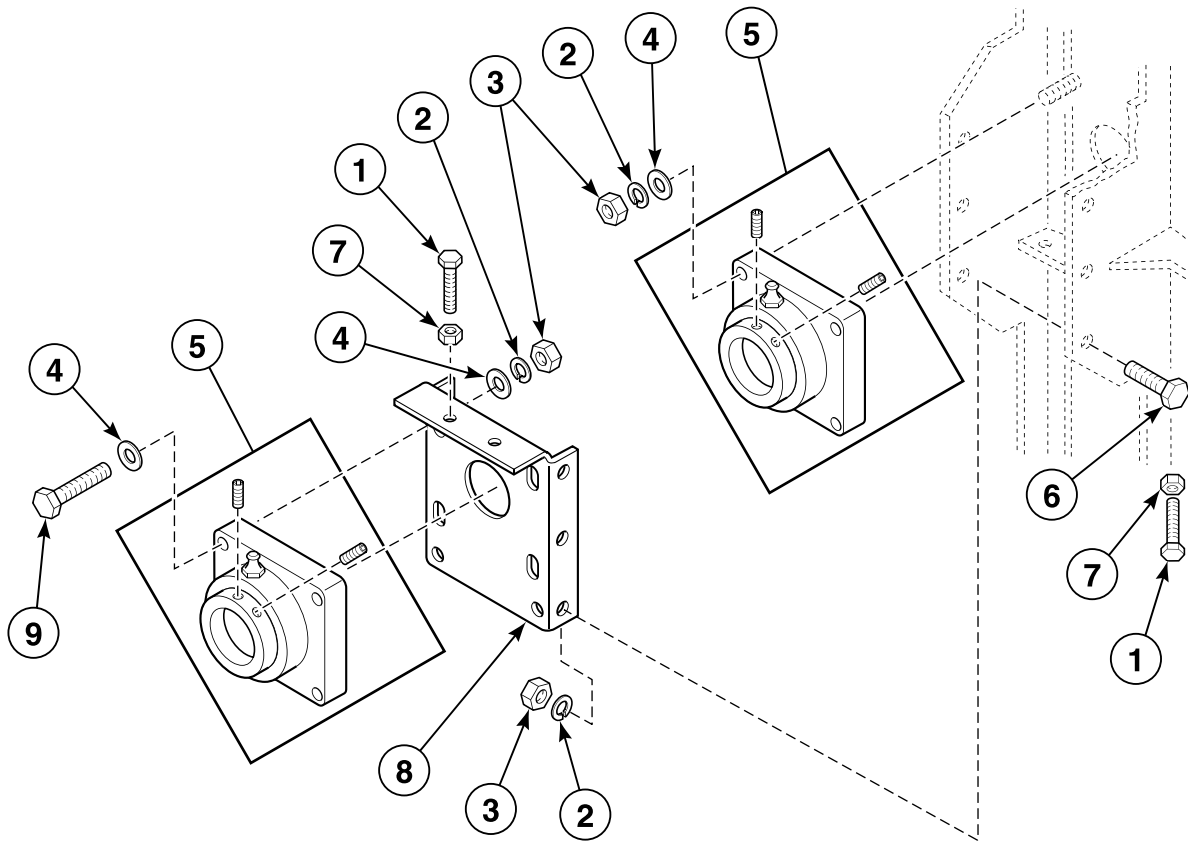
**N/A = Part no longer available**



## Drive Sheave, Step Pulley and Belts

REF	PART NO.	DESCRIPTION	COMMENTS
	M414367	Ball Bearing	Outer
	H87672374	Ball Bearing	Inner
	H88603477	Retaining Ring	2 required
<b>1</b>	H8752251H	Sheave	
<b>2</b>	H96428487	Belt Adjustment Tube	
<b>3</b>	H88001565	Screw	
<b>4</b>	44048501	Rod End	
<b>5</b>	M404993	Nut	
<b>6</b>	M400081	Washer	
<b>7</b>	M400014	Washer	
<b>8</b>	20274	Nut	
<b>9</b>	H96357751	Jackshaft Assembly	
<b>10</b>	22688	Screw	
<b>11</b>	H87533014	Belt	
<b>12</b>	H96428024	Step Pulley	
<b>13</b>	H88602263	Retaining Ring	
<b>14</b>	H87533816P	Belt Set	Set of 3
<b>15</b>	H8752985HP	Bushing	

# Trunnion Bearings

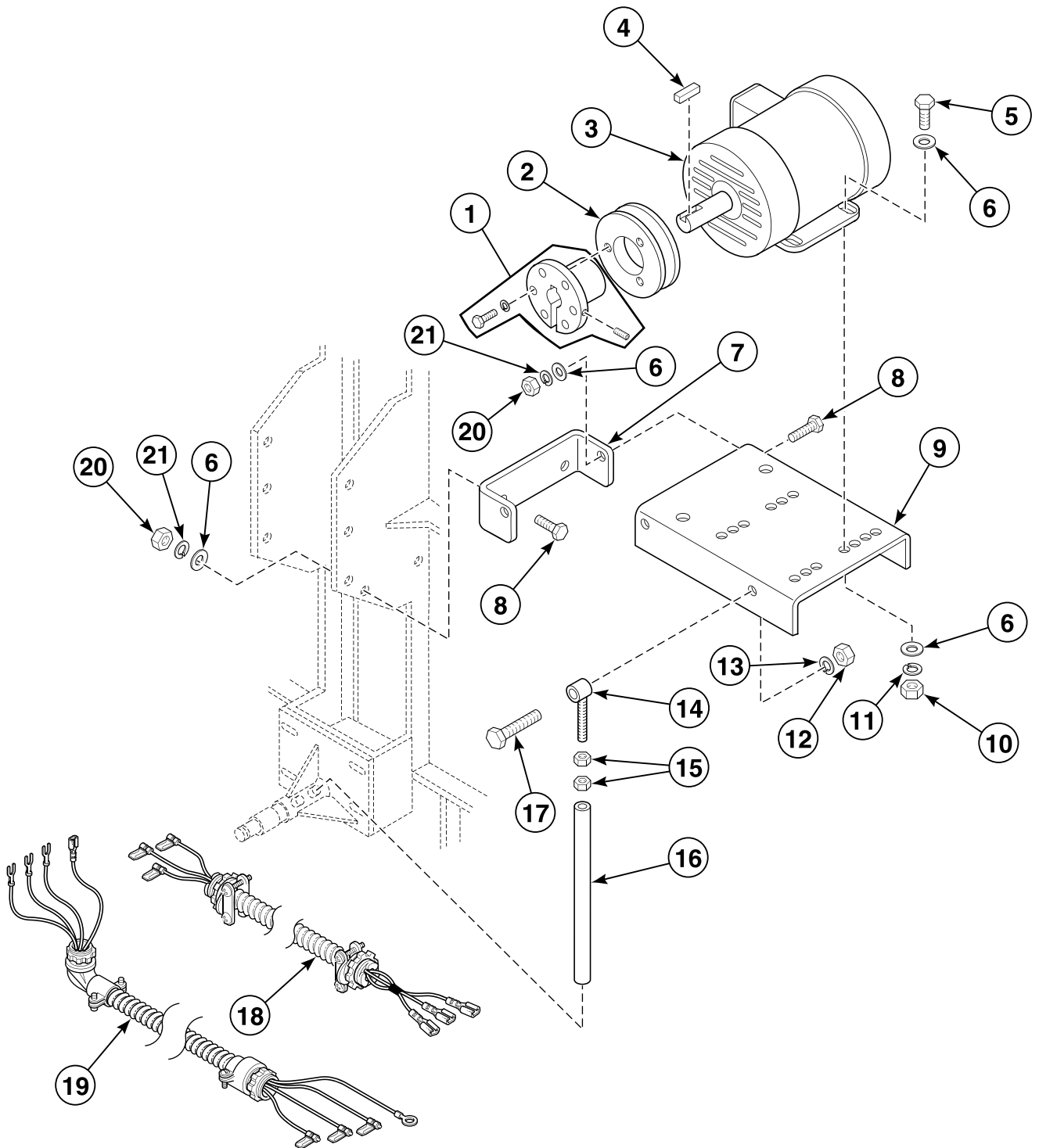


TMB1733P\_70410701

# Trunnion Bearings

REF	PART NO.	DESCRIPTION	COMMENTS
1	H88213996	Screw	
2	91200	Washer	
3	H88412101	Nut	120 pound models
	20274	Nut	170 pound models
4	Q6712	Washer	120 pound models
	M400081	Washer	170 pound models
5	44048301P	Flange Bearing	2 required
6	H88012034	Screw	
7	20274	Nut	
8	H96428008	Bearing Mounting	
9	M411165	Screw	

# Cylinder Drive Motor



TMB2410P\_70410701

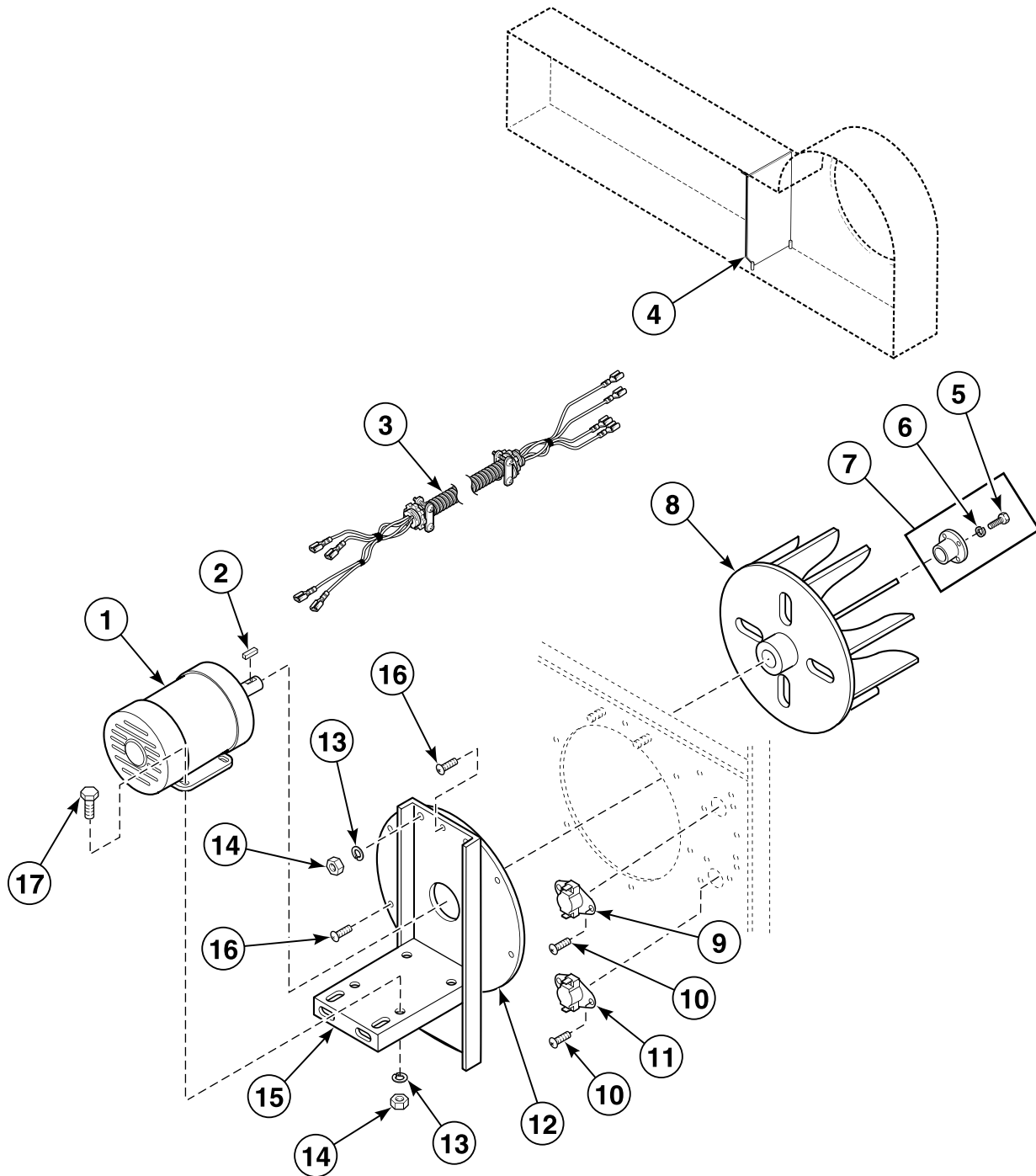


# Cylinder Drive Motor

REF	PART NO.	DESCRIPTION	COMMENTS
1	H87529129P	Bushing	60 Hertz
	H87529111P	Bushing	50 or 60 Hertz
2	H87520466	Sheave	60 Hertz
	H87520334	Sheave	120 pound models: 50 Hertz; 170 pound models: 60 Hertz
	H8752026H	Sheave	170 pound models; 50 Hertz
3	44052901P	Motor	208-240-480 Volt/60 Hertz/3 Phase
	44053001P	Motor	190-220 or 380 Volt/50 Hertz/3 Phase
4	H8752006H	Key	
5	M400056	Screw	
6	M400080	Washer	
7	H96428693	Base Bracket	
8	22688	Screw	
9	M413171	Motor Base	
10	70142	Nut	
11	M400013	Washer	
12	H88412093	Nut	
13	N/A	Washer	
14	44048501	Rod End	
15	M404993	Nut	
16	N/A	Belt Adjustment Tube	
17	H88001565	Screw	
18	N/A	Cylinder Motor Harness Assembly	A, DT, JT and ST models
19	M413110	Cylinder Motor Harness Assembly	DC, JC and SC models with MT and OM control suffixes
20	20274	Nut	
21	M400014	Washer	

**N/A = Part no longer available**

# Fan Motor and Fan Assembly - 120 Pound 60 Hertz Models



TMB2445P\_70410701

## Fan Motor and Fan Assembly - 120 Pound 60 Hertz Models

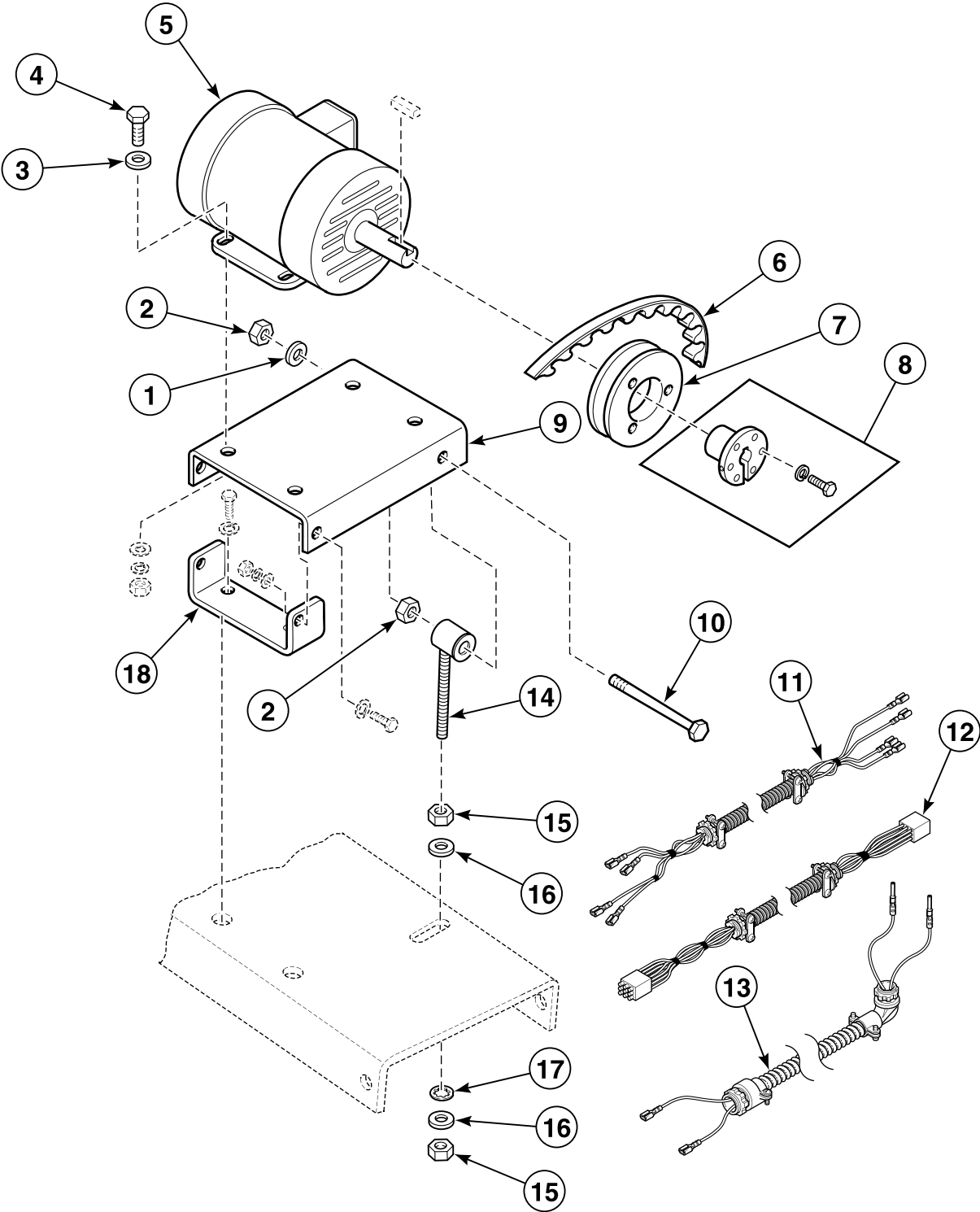
REF	PART NO.	DESCRIPTION	COMMENTS
1	44046301P	Motor	208-230-460 Volt/60 Hertz/3 Phase
2	H8752006H	Key	
3	M413083	Cabinet Limit Harness Assembly	A, DT, JT and ST models
4	M409967	Damper Assembly	
5	H8800901H	Screw	
6	56552	Washer	
7	H87529111P	Bushing	Includes items 5 and 6
8	M414546	Fan and Bushing Assembly	
9	M411403	Limit Thermostat	A, DT, JT and ST models
10	430497	Screw	
11	H8900530H	Thermostat	Load ready
12	H96358007	Blower Cover	
13	M400013	Washer	
14	70142	Nut	
15	H608P3	Blower Motor Base Kit	
16	51778	Screw	
17	M400056	Screw	



## Fan Motor and Fan Assembly - 120 Pound 50 Hertz Models

REF	PART NO.	DESCRIPTION	COMMENTS
	H8768302H	Bearing Mounting Flangette	2 required
1	44048501	Rod End	
2	H87529111P	Bushing	Includes items 22 and 23
3	H87520334	Sheave	
4	M413083	Cabinet Limit Harness Assembly	A, DT, JT and ST models
5	M414261	Cabinet Limit Harness Assembly	DC, JC and SC models with OM control suffix
6	44046401	Fan Motor	220-380-415 Volt/50 Hertz/3 Phase
7	M413171	Motor Base	
8	M409967	Damper Assembly	
9	M412917P	Bushing	Includes items 22 and 23
10	M414546	Fan and Bushing Assembly	Includes items 9, 22 and 23
11	M413111	Fan Motor Harness Assembly	DC, JC and SC models with MT and OM control suffixes
12	H96428693	Base Bracket	
13	M411946	Limit Thermostat	DT, JT and ST models; A, DC, JC and SC models with MM control suffix
	M413088	Thermostat	High limit; DC, JC and SC models with MT control suffix
14	H8900530H	Thermostat	Load ready
15	H96358007	Blower Cover	
16	H8768212H	Ball Bearing Insert	For flangettes and pillow block
17	H608P3	Blower Motor Base Kit	
18	44104801	Ball Bearing	
19	H96428628	Motor Adjustment Tube	
20	H8752006H	Key	
21	H87520284	Sheave	
22	56552	Washer	
23	H8800901H	Screw	
24	M412000	Blower Shaft	
25	H8753170H	Belt	

# Fan Motor Assembly - 170 Pound Models



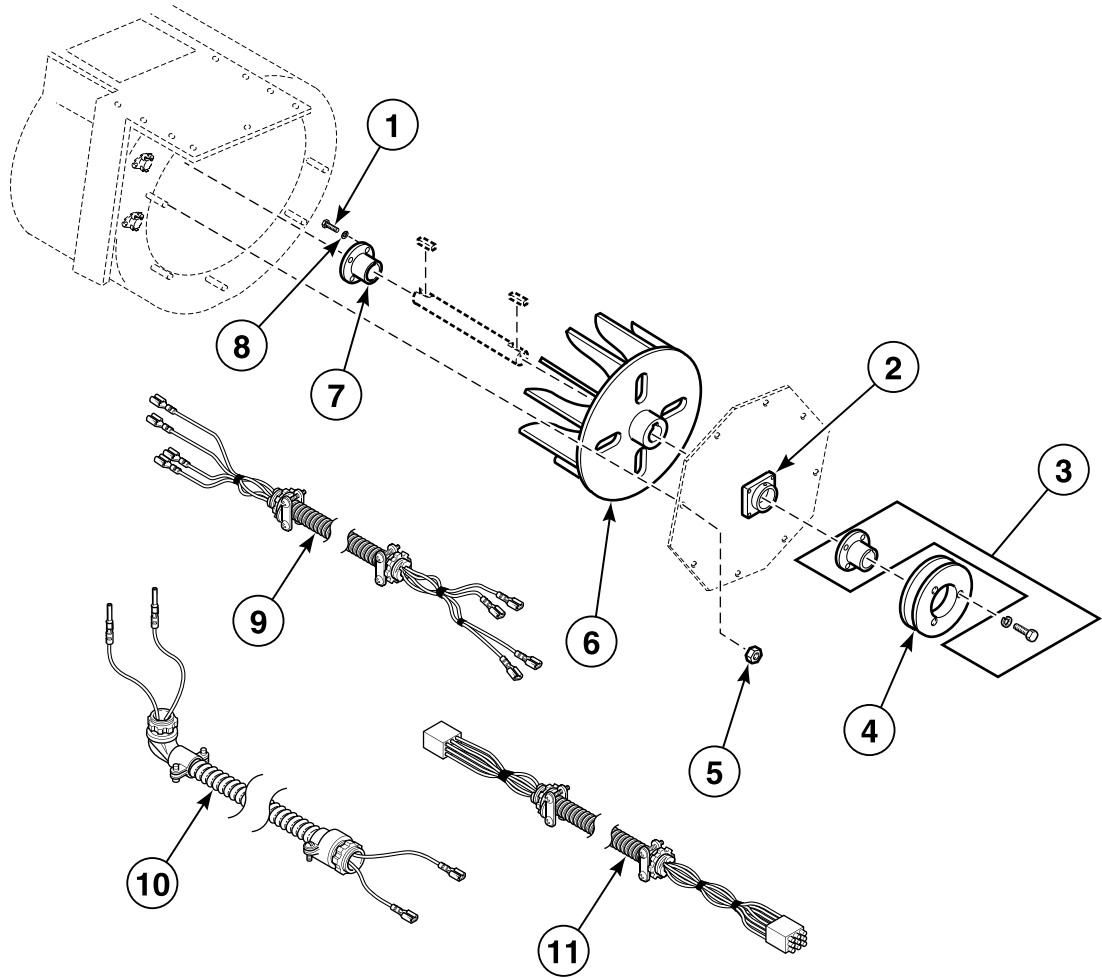
TMB2411P\_70410701

## Fan Motor Assembly - 170 Pound Models

REF	PART NO.	DESCRIPTION	COMMENTS
	22688	Screw	Bracket; 4 required
	M400014	Washer	Bracket; 4 required
	20274	Nut	Bracket; 4 required
	M400013	Washer	Motor
	70142	Nut	Motor
<b>1</b>	N/A	Washer	
<b>2</b>	H88412093	Nut	2 required
<b>3</b>	M400080	Washer	Bracket and motor
<b>4</b>	M400056	Screw	Motor
<b>5</b>	44046501P	Fan Motor	208-230-460 Volt/60 Hertz/3 Phase
	44046601	Motor	220-380-440 Volt/50 Hertz/3 Phase
<b>6</b>	H87532685	Belt	
<b>7</b>	H8752060H	Sheave	60 Hertz
	H8752065H	Sheave	50 Hertz
<b>8</b>	M412995P	Bushing	
<b>9</b>	M413171	Motor Base	
<b>10</b>	M413528	Screw	
<b>11</b>	M413083	Cabinet Limit Harness Assembly	A, DT, JT and ST models
<b>12</b>	M413144	Cabinet Limit Harness Assembly	A, DT, JT and ST models with MM and MT control suffixes
<b>13</b>	M414261	Cabinet Limit Harness Assembly	DC, JC and SC models with OM control suffix
<b>14</b>	44048501	Rod End	
<b>15</b>	Q6712	Washer	2 required
<b>16</b>	H88412101	Nut	2 required
<b>17</b>	91200	Washer	
<b>18</b>	H96428693	Base Bracket	

**N/A = Part no longer available**

# Fan Assembly - 170 Pound Models Through 4/8/98



TMB2412P\_70410701



## Fan Assembly - 170 Pound Models Through 4/8/98

REF	PART NO.	DESCRIPTION	COMMENTS
1	H8800901H	Screw	3 required
2	M4680P3	Fan Bearing Conversion Kit	Order to replace blower shaft and flange bearing
3	H8752922HP	Bushing	
4	H8752065H	Sheave	60 Hertz
	H8752060H	Sheave	50 Hertz
5	29786	Nut	
6	H96368469	Fan	
7	M412917P	Bushing	
8	56552	Washer	3 required
9	M413083	Cabinet Limit Harness Assembly	A, DT, JT and ST models
10	M414261	Cabinet Limit Harness Assembly	DC, JC and SC models with OM control suffix
11	M413144	Cabinet Limit Harness Assembly	A, DT, JT and ST models with MM and MT control suffixes

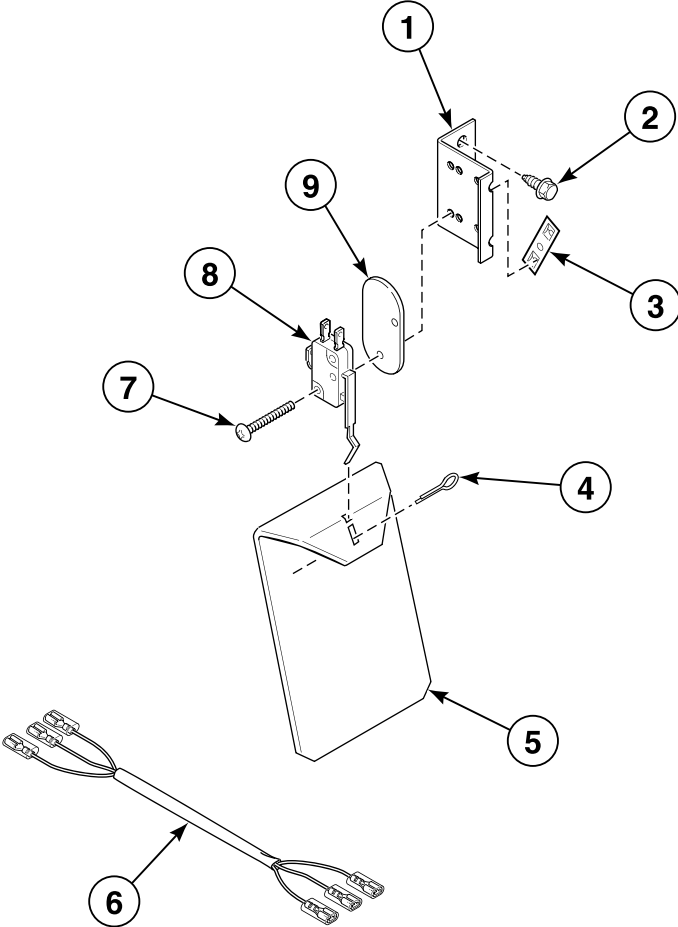


## Fan Assembly - 170 Pound Models Starting 4/9/98

REF	PART NO.	DESCRIPTION	COMMENTS
1	H8800901H	Screw	3 required
2	56552	Washer	3 required
3	M412917P	Bushing	
4	H96368469	Fan	
5	M4680P3	Fan Bearing Conversion Kit	
6	M412630	Idler Housing Assembly	
7	M400080	Washer	
8	M400014	Washer	
9	M400043	Screw	
10	M414241	Idler Shaft	
11	H8752065H	Sheave	60 Hertz
	H8752060H	Sheave	50 Hertz
12	H8752922HP	Bushing	
13	M409385	Screw	
14	M401370	Bearing Retainer	
15	M401375P	Ball Bearing	
16	M401327	Key	
17	M400993	Key	
18	M412612	Idler Housing	
19	M400401	Loading Spring	
20	29786	Nut	
21	20274	Nut	
22	70187202	Screw	
23	M413083	Cabinet Limit Harness Assembly	A, DT, JT and ST models
24	M414261	Cabinet Limit Harness Assembly	DC, JC and SC models with OM control suffix
25	M413144	Cabinet Limit Harness Assembly	A, DT, JT and ST models with MM and MT control suffixes

# Airflow Switch Assembly

Mounted on Back of Cabinet

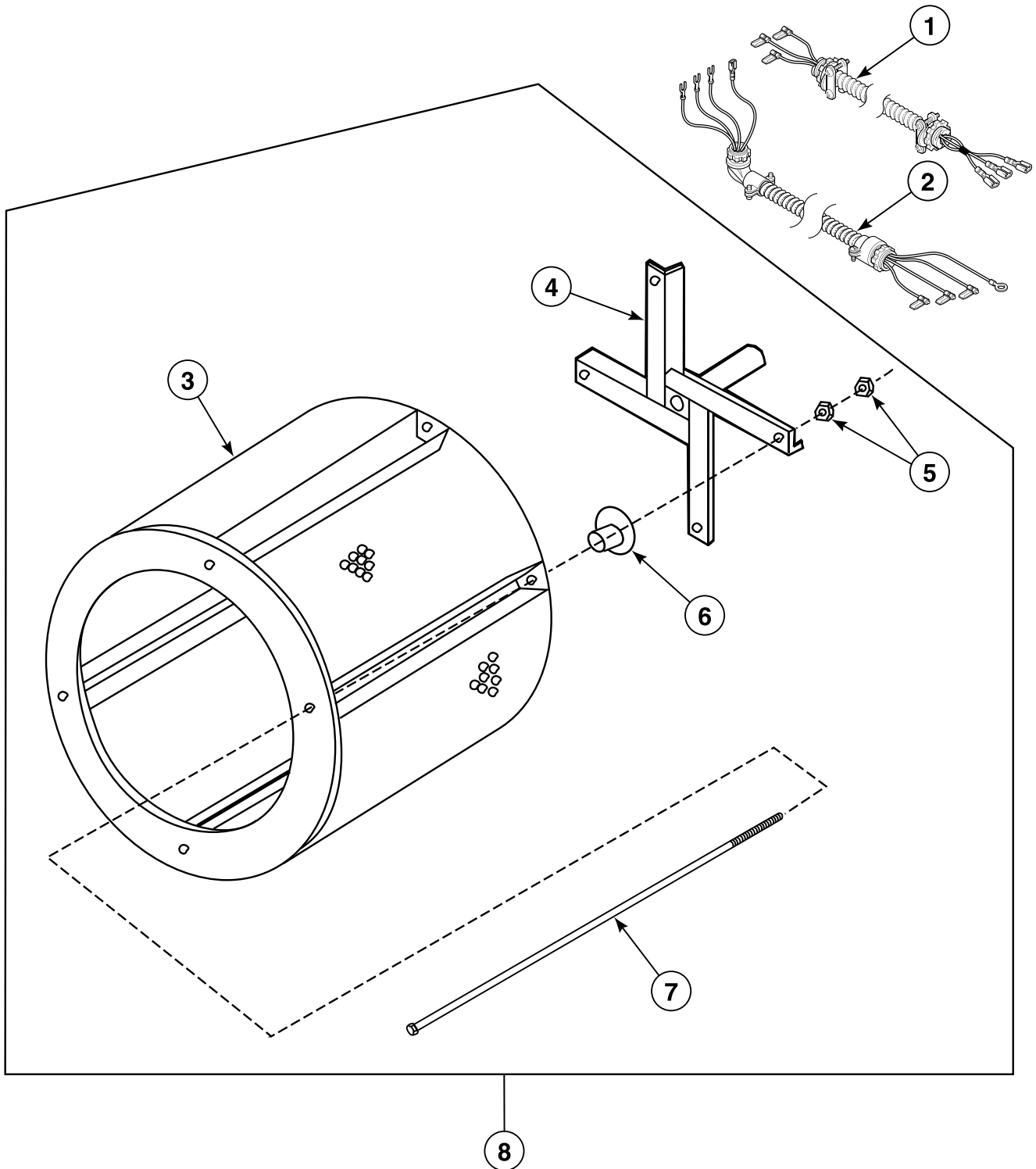


TMB2786P\_70410701

# Airflow Switch Assembly

REF	PART NO.	DESCRIPTION	COMMENTS
	430372P	Airflow Switch Bracket and Vane Kit	Includes items 1 and 5
1	430370	Airflow Switch Bracket	
2	430497	Screw	
3	M400979	Nut	
4	02470	Cotter Pin	
5	430372	Airflow Switch Vane	
6	M413042P	Airflow Switch Harness Assembly	A, DT, JT and ST models
7	M401938	Screw	
8	44021701	Lever Arm Switch	A, DT, JT and ST models
	431431	Airflow Switch	DC, JC and SC models
9	H96418728	Mounting Insulation	

# Cylinder and Trunnion Shaft

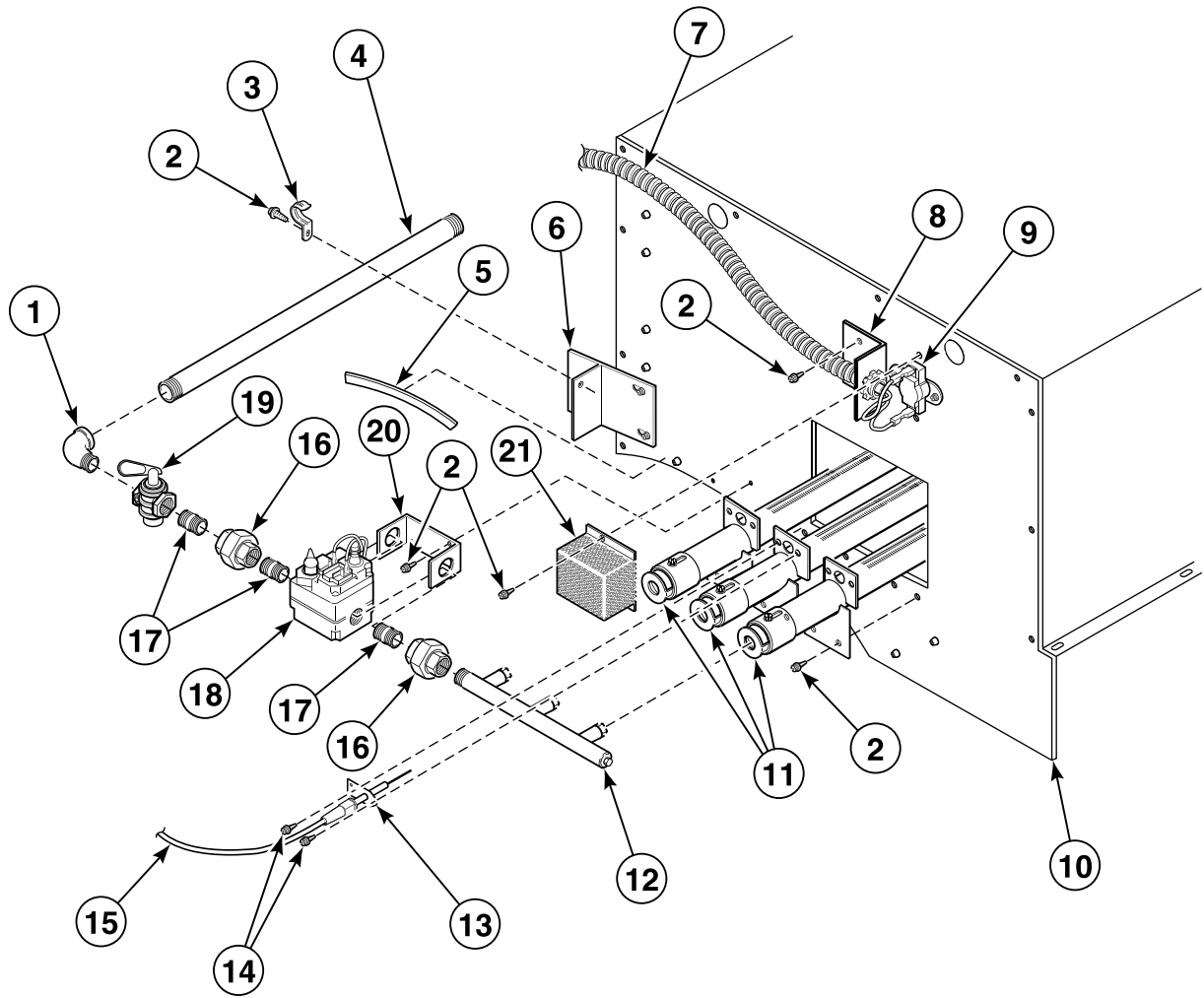


TMB2414P\_70410701

## Cylinder and Trunnion Shaft

REF	PART NO.	DESCRIPTION	COMMENTS
	M401402	Spacer	
1	M413044	Cylinder Motor Harness Assembly	A, DT, JT and ST models
2	M413110	Cylinder Motor Harness Assembly	DC, JC and SC models
3	H96427513	Cylinder Assembly	Galvanized; 120 pound models
	M409788	Cylinder Assembly	Stainless steel; 120 pound models
	M409659	Cylinder Assembly	Poly coated; 120 pound models
	H96367545	Cylinder Assembly	Galvanized; 170 pound models
	M409826	Cylinder Assembly	Stainless steel; 170 pound models
4	44055501	Trunnion Assembly	120 pound models
	44054601	Trunnion Assembly	170 pound models
5	H88412101	Nut	
6	M412334	Nut	Rib rod
7	H88301411	Bolt	Rib rod; 120 pound models
	H8830143H	Bolt	Rib rod; 170 pound models
8	44054801	Cylinder and Trunnion Assembly	Galvanized; 120 pound models
	44054802	Cylinder and Trunnion Assembly	Stainless steel; 120 pound models
	M409708	Cylinder and Trunnion Assembly	Poly coated; 120 pound models
	44054701	Cylinder and Trunnion Assembly	Galvanized; 170 pound models
	44054702	Cylinder and Trunnion Assembly	Stainless steel; 170 pound models

# Gas Burner Unit - 120 Pound Models



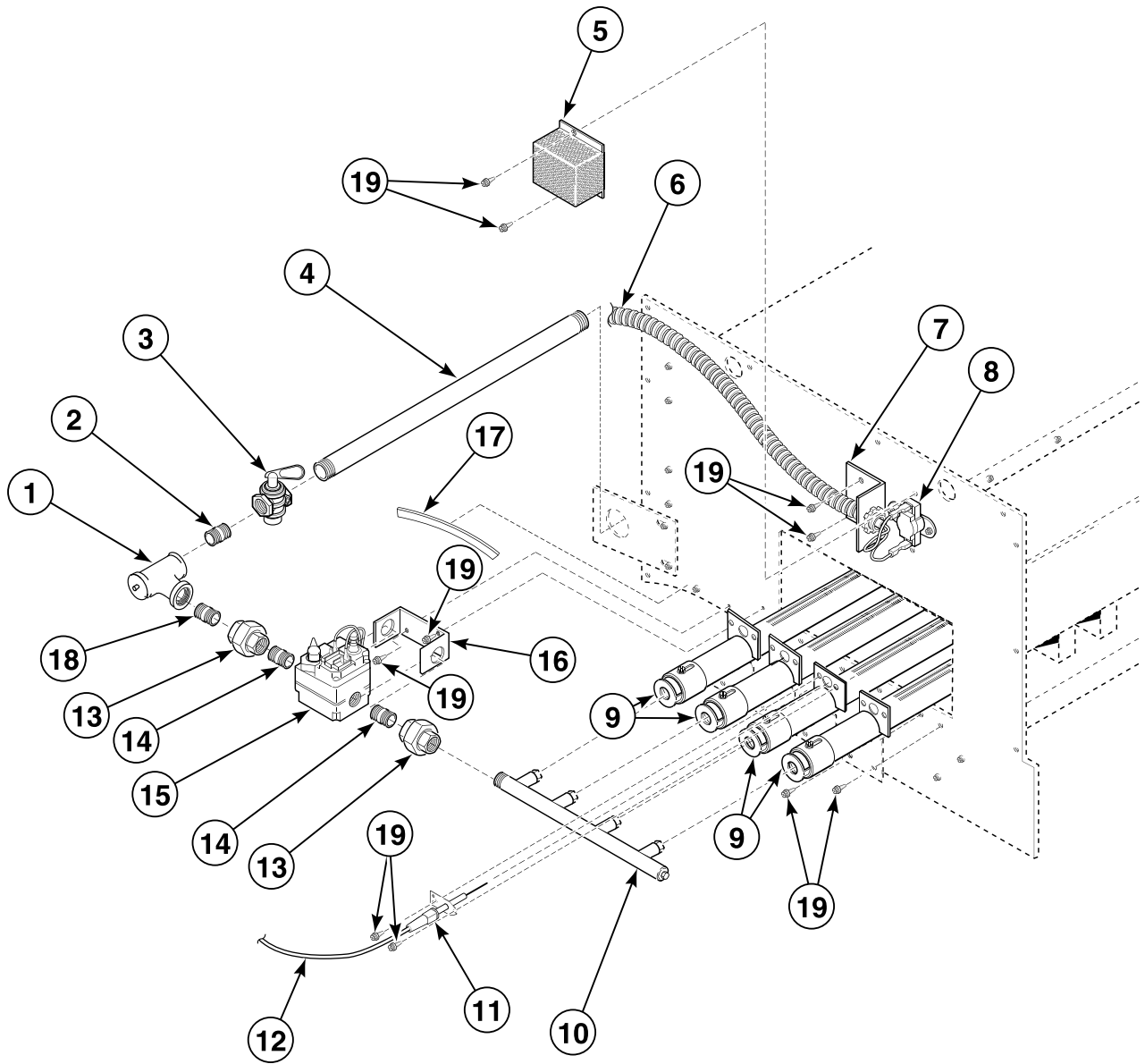
TMB2977P\_70410701



## Gas Burner Unit - 120 Pound Models

REF	PART NO.	DESCRIPTION	COMMENTS
	M412159	Screw	Use with gas valve flange
	M4577P3	Conversion Kit	MM, MT and OM control suffixes; Natural Gas (N.G.) to Liquid Petroleum Gas (L.P.)
	M411506	Stove Partition Gasket	Sold by foot; 3 feet required
	M411061	ICM Return Lead	Australian models
1	M411264	Street Elbow	
2	430497	Screw	
3	M411614	Conduit Clamp	
4	M411265	Gas Pipe	
5	M411505	Stove Gasket	Sold by foot; 2 feet required
6	M411498	Pipe Bracket	
7	M413104P	Stove Limit Harness Assembly	
	M410904P	Instant Electronic Ignition Control	Australian models
8	431078	Stove Limit Harness Bracket	
9	M411404	Stove Limit Thermostat	60 Hertz; High limit
	M413988	Thermostat	50 Hertz; High limit manual reset
10	M411097	Stove Assembly	
11	M412025	Burner	3 required
12	M411254	Spud Holder	
13	M410905P	Spark Igniter	Australian models
	M406934P	Spark Igniter	All other models; If spark igniter is longer than 3.837 inches, order M4580P3 Burner/Igniter Retrofit Kit
14	56693	Screw	
15	44061605P	High Temperature Ignition Lead	Australian models
	44061602P	High Temperature Ignition Lead	All other models
16	M411419	Pipe Union	
17	M411417	Pipe Nipple	
18	M412362P	Gas Valve	60 Hertz; N.G. and L.P.; A, DT, JT and ST models with MM and MT control suffixes
	M412363P	Gas Valve	50 Hertz; N.G.; DT, JT and ST models with MT control suffix
	M412364	Gas Valve	50 Hertz; L.P.; DT, JT and ST models with MT control suffix
	M4883P3	Gas Valve Kit	60 Hertz; L.P.; A, DT, JT and ST models with OM control suffix
	M413470P	Gas Valve	60 Hertz; N.G.; A, DT, JT and ST models with OM control suffix
	M413465P	Gas Valve Kit	50 Hertz; L.P.; DT, JT and ST models with OM control suffix
	M4951P3	Gas Valve Kit	50 Hertz; N.G.; DT, JT and ST models with OM control suffix
	44118501P	Gas Valve Assembly	50 Hertz; DC, JC and SC models
19	M413016	Ball Valve	
20	M411259	Gas Valve Bracket	
21	M414477	Thermostat Cover	

# Gas Burner Unit - 170 Pound Models



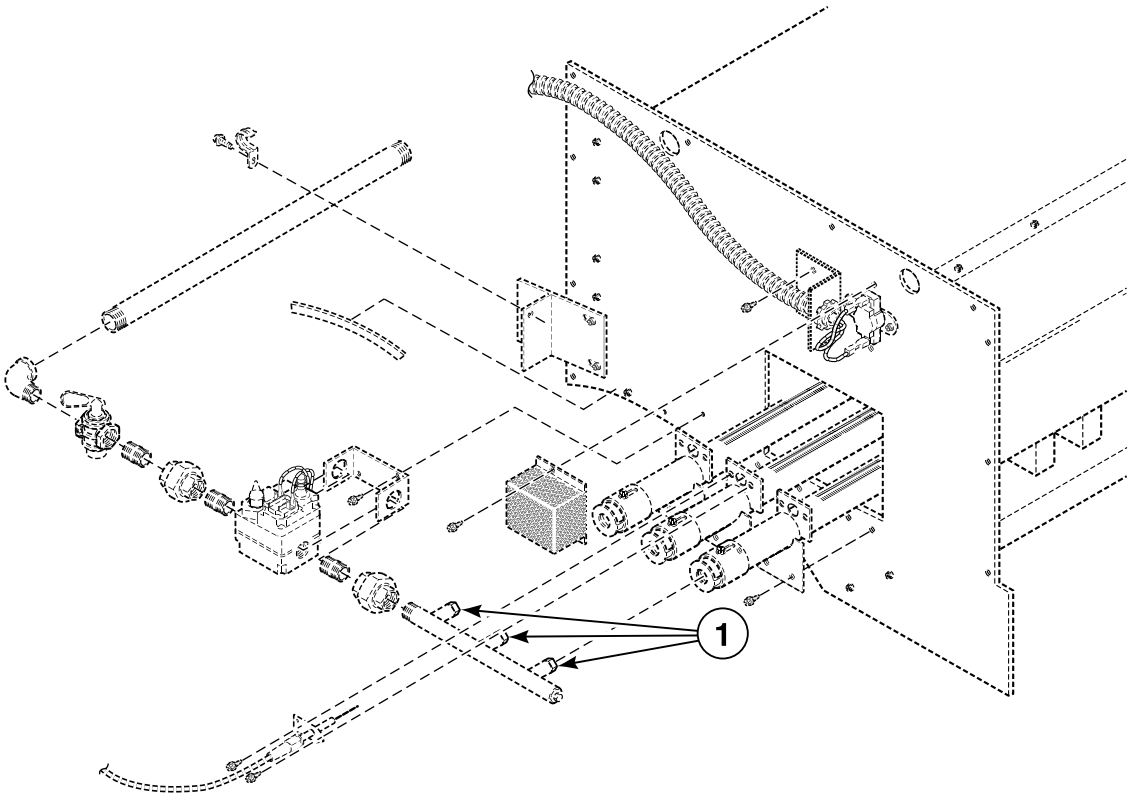
T339PZ3B\_70410701

## Gas Burner Unit - 170 Pound Models

REF	PART NO.	DESCRIPTION	COMMENTS
	M414287	Sensor Wire	Australian models
	M411506	Stove Partition Gasket	Sold per foot; 3 feet required
	M4591P3	L.P. Conversion Kit	Natural Gas (N.G.) to Liquid Petroleum Gas (L.P.); MM and MT control suffixes; 60 Hertz
	M4592P3	L.P. Conversion Kit	N.G. to L.P.; MT and OM control suffixes; 50 Hertz
1	N/A	Reducing Tee	
2	M413023	Pipe Nipple	
3	M413017	Ball Valve	
4	N/A	Gas Inlet Pipe	
5	M414477	Thermostat Cover	
6	M413041	Stove Limit Harness Assembly	
7	431078	Stove Limit Harness Bracket	
8	M411404	Stove Limit Thermostat	N.G.; 60 Hertz
	M413988	Thermostat	Manual reset; N.G.; 50 Hertz
	M413989	Manual Reset Thermostat	L.P.
	431177	Stove Limit Thermostat	L.P.; 50 or 60 Hertz; A, DT, JT and ST models
9	M412025	Burner	4 required for N.G.; 3 required for L.P.
10	M411736	Spud Holder	
11	M410905P	Spark Igniter	Australian models
	M406934P	Spark Igniter	All other models
12	44061605P	High Temperature Ignition Lead	Australian models
	44061602P	High Temperature Ignition Lead	All other models
13	M411419	Pipe Union	
14	M411417	Pipe Nipple	
15	M412362P	Gas Valve	60 Hertz; N.G. and L.P.; A, DT, JT and ST models with MT and MM control suffixes
	M412363P	Gas Valve	50 Hertz; N.G.; DT, JT and ST models with MT control suffix
	M412364	Gas Valve	50 Hertz; L.P.; DT, JT and ST models with MT control suffix
	M413470P	Gas Valve	60 Hertz; A, DT, JT and ST models with OM control suffix
	M4883P3	Gas Valve Kit	50 or 60 Hertz; L.P.; A, DT, JT and ST models with OM control suffix
	M4951P3	Gas Valve Kit	
	M4900P3	N.G. Kit	50 Hertz; DC, JC and SC models
	N/A	Flange	Use with M414288P Gas Valve
16	M411259	Gas Valve Bracket	
17	M411505	Stove Gasket	Sold by foot; 2 feet required
18	H85101673	Pipe Nipple	
19	430497	Screw	

**N/A = Part no longer available**

# Gas Burner Orifices

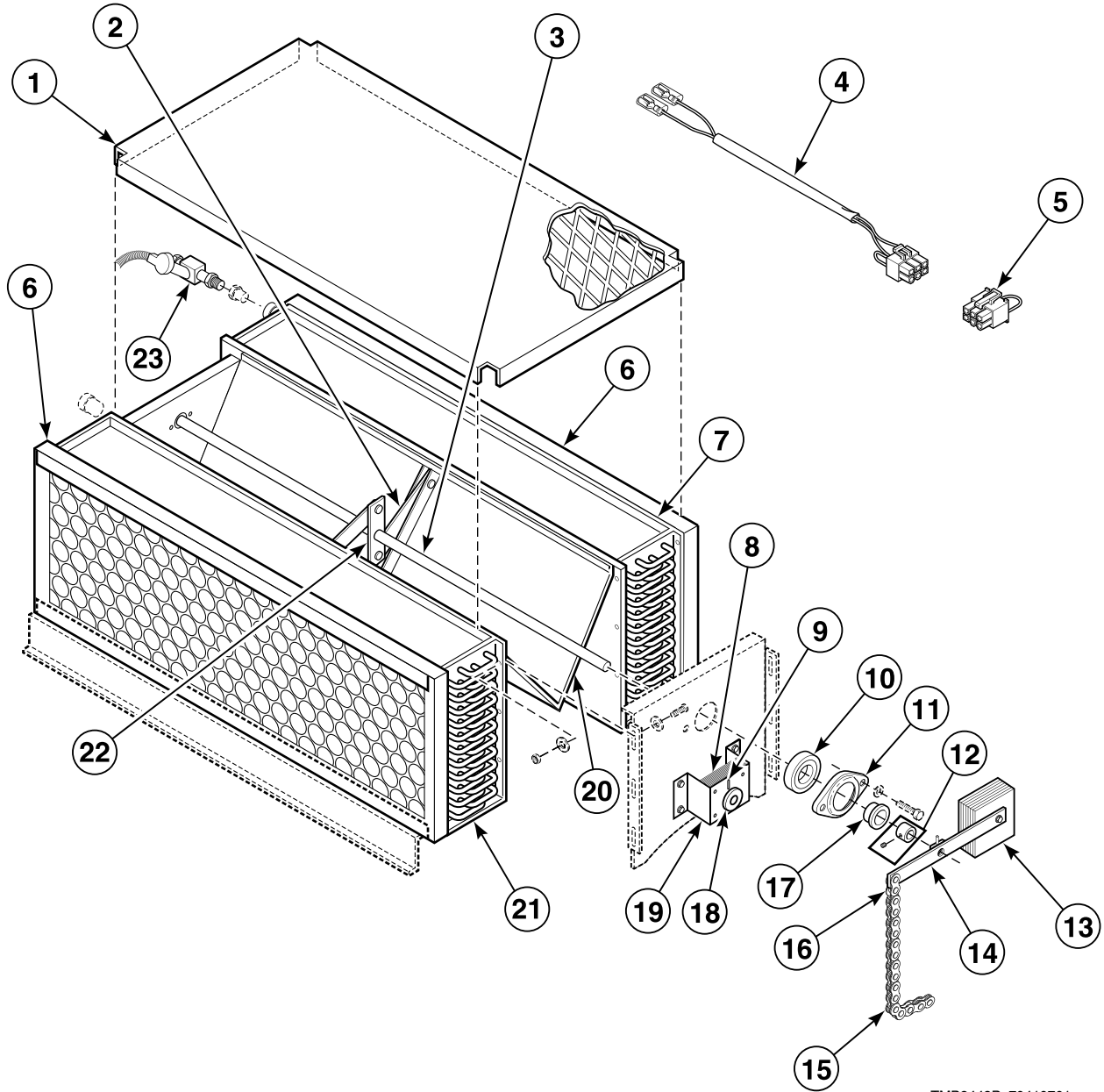


TMB1737PA\_70410701

# Gas Burner Orifices

REF	PART NO.	DESCRIPTION	COMMENTS
1	M411372	Burner Orifice	Natural Gas (N.G.); 3 required for 120 pound models; 4 required for 170 pound models; 0-2,000 feet; Drill no. 12 (4.8 mm)
	M411371	Burner Orifice	N.G.; 3 required for 120 pound models; 4 required for 170 pound models; 2,001-4,000 feet; Drill no. 14 (4.6 mm)
	M411373	Burner Orifice	N.G.; 3 required for 120 pound models; 4 required for 170 pound models; 4,001-6,000 feet; Drill no. 16 (4.5 mm)
	M411374	Burner Orifice	N.G.; 3 required for 120 pound models; 4 required for 170 pound models; 6,001-8,000 feet; Drill no. 17 (4.4 mm)
	M402995	Burner Orifice	N.G.; 3 required for 120 pound models; 4 required for 170 pound models; 8,001-10,000 feet; Drill no. 19 (4.2 mm)
	M401022	Burner Orifice	120 pound models; Liquid Petroleum Gas (L.P.); 3 required; 0-2,000 feet; Drill no. 33 (2.9 mm)
	M402487	Burner Orifice	120 pound models; L.P.; 3 required; 2,001-4,000 feet; Drill no. 35 (2.8 mm)
	M411375	Burner Orifice	120 pound models; L.P.; 3 required; 4,001-6,000 feet; Drill no. 36 (2.7 mm)
	M411376	Burner Orifice	120 pound models; L.P.; 3 required; 6,001-8,000 feet; Drill no. 38 (2.6 mm)
	M406361	Burner Orifice	120 pound models; L.P.; 3 required; 8,001-10,000 feet; Drill no. 40 (2.5 mm)
	M400997	Burner Orifice	170 pound models; L.P.; 4 required; 0-2,000 feet; Drill no. 29 (3.4 mm)
	M401021	Burner Orifice	170 pound models; L.P.; 4 required; 2,001-6,000 feet; Drill no. 30 (3.3 mm)
	M401017	Burner Orifice	170 pound models; L.P.; 4 required; 6,001-10,000 feet; Drill no. 31 (3.0 mm)

# Steam Heating Unit



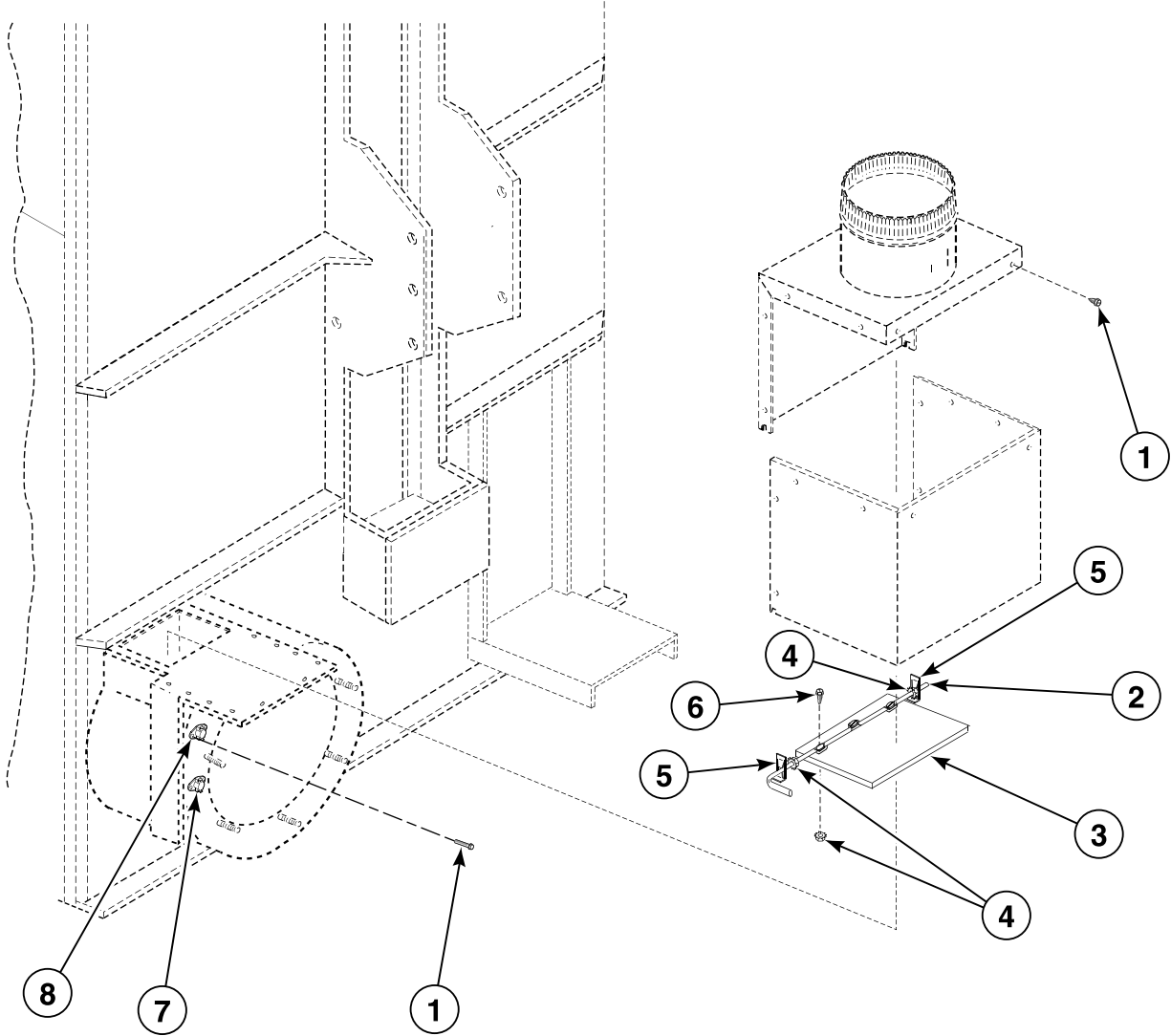
TMB2448P\_70410701

# Steam Heating Unit

REF	PART NO.	DESCRIPTION	COMMENTS
	H88970256	Roll Pin	
	H96388087	Filter Channel	120 pound models; 2 required
	44045101	Filter Channel	170 pound models; 2 required
1	44018401	Steam Cover	120 pound models
	44018501	Steam Coil Housing Cover	170 pound models; MT control suffix
	N/A	Solid Steam Coil Housing Cover	170 pound models; MM control suffix
2	N/A	Damper Link	2 required
3	N/A	Damper Shaft	
4	M413086	Damper Motor Harness Assembly	MT and OM control suffixes
5	M413168	Bypass Harness Assembly	MM control suffix
6	H96382106	Steam Coil Filter	120 pound models; 2 required
	H96362264	Coil Filter	170 pound models; 2 required
7	H96382023P	Steam Coil	120 pound models; 2 required; Left and right
	M409834P	Steam Coil	170 pound models; Right
8	N/A	Damper Motor	120 Volt/60 Hertz
	N/A	Damper Motor	208-240 Volt/50 or 60 Hertz
	M412905P	Damper Motor	24 Volt/50 Hertz; DC, JC and SC models; A, DT, JT and ST models with OM control suffix
	M413592P	Damper Motor	24 Volt/60 Hertz; OM control suffix
9	H88900683	Spring Pin	
10	H96382098	Bearing Insert	
11	H96382080	Bearing Flangette	2 included
12	M414451	Shaft Collar	For item 17
13	M413331	Damper Counterweight	6 required for 120 pound models; 7 required for 170 pound models
14	H96387501	Actuator Arm Assembly	
15	H96388186	Drive Chain	
16	H96382072	Master Link	2 required
17	M414459	Bushing	
18	H96388178	Drive Wheel	
19	H96388145	Motor Bracket	
20	H96387519	Damper	120 pound models; 2 required
	H96367685	Damper Assembly	170 pound models; 2 required
21	M409833P	Steam Coil	170 pound models; Left
22	N/A	Damper Actuator	
23	M413295P	Steam Valve	110 Volt/60 Hertz; A, DT, JT and ST models with MM and MT control suffixes
	M413298P	Steam Valve	240 Volt/50 Hertz; DT, JT and ST models with MT control suffix
	70351002P	Steam Valve	24 Volt/50 Hertz; DC, JC and SC models; DT, JT and ST models with OM control suffix
	70351001P	Steam Valve	24 Volt/60 Hertz; A, DT, JT and ST models with OM control suffix
	M412258	Steam Valve Coil	24 Volt; Use with 70351002P Steam Valve
	70205701P	Steam Valve Coil	24 Volt; Use with 70351001P Steam Valve
	M413299P	Steam Valve Coil	110 Volt; Use with M413295 Steam Valve
	M413302	Steam Valve Coil	240 Volt; Use with M413298 Steam Valve

**N/A = Part no longer available**

# Exhaust System Components - 170 Pound Models



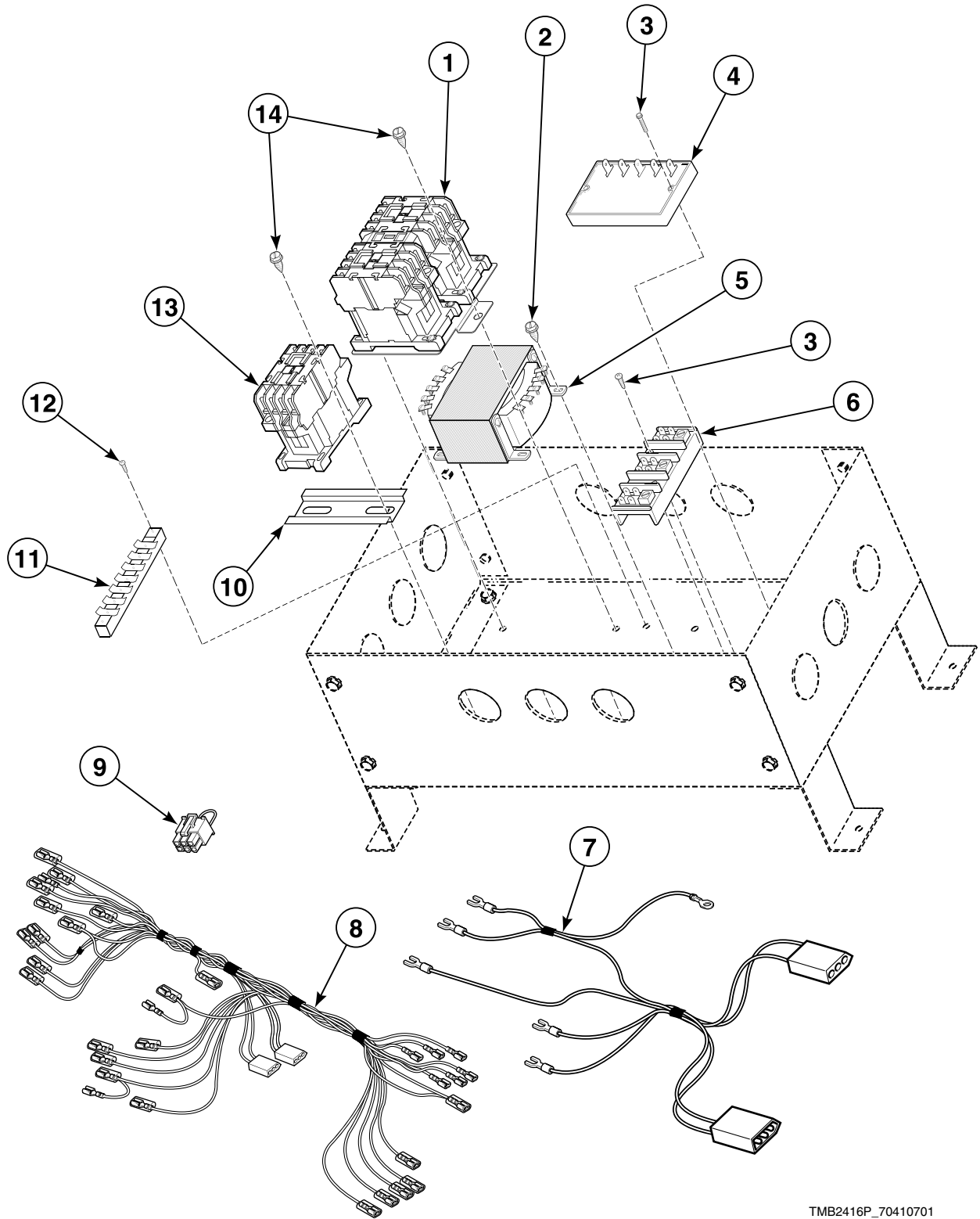
T338PZ3B\_70410701



## Exhaust System Components - 170 Pound Models

REF	PART NO.	DESCRIPTION	COMMENTS
1	430497	Screw	16 required
2	M413401	Damper Rod	
3	M413402	Damper Vane	
4	23951	Nut	
5	M400976	Clip	2 required
6	M400044	Screw	
7	H8900530H	Thermostat	Load ready
8	M411403	Limit Thermostat	60 Hertz
	M411946	Limit Thermostat	50 Hertz

# Contactor Box Assembly - A, DT, JT and ST Models



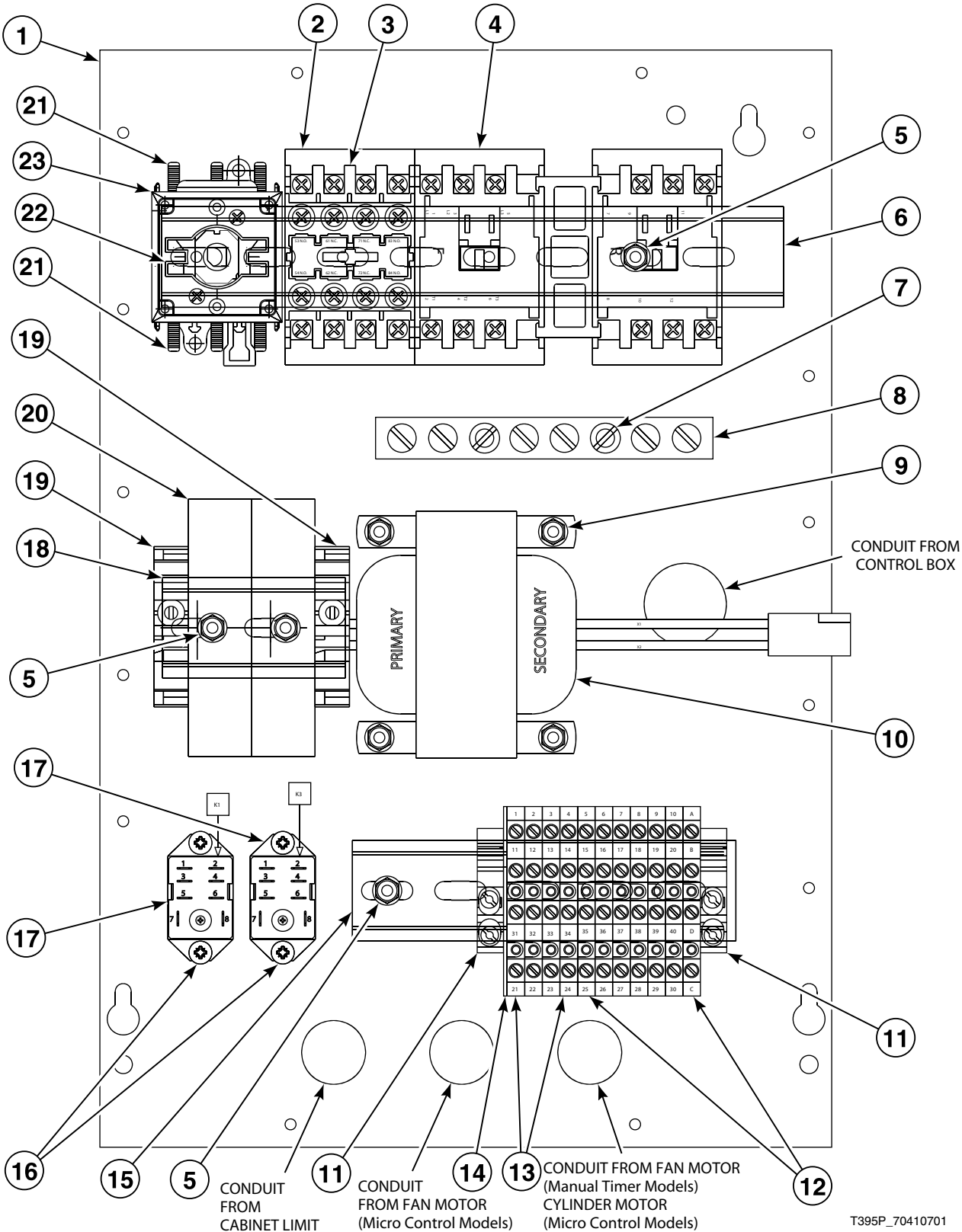
TMB2416P\_70410701

## Contactor Box Assembly - A, DT, JT and ST Models

REF	PART NO.	DESCRIPTION	COMMENTS
	23951	Nut	
	M411279	Contactorm Box Cover	
<b>1</b>	M4850P3	Reversing Contactor Kit	120 Volt/60 Hertz; MM and MT control suffixes
	M410515P	Reversing Contactor	240 Volt/50 Hertz; MT control suffix
	M413615P	Reversing Contactor	50 or 60 Hertz; OM control suffix
<b>2</b>	M400044	Screw	
<b>3</b>	62588	Screw	
<b>4</b>	M411683	Reversing Timer	
<b>5</b>	M413100P	Transformer	60 Hertz; MM and MT control suffixes
	M401391P	Transformer	50 Hertz; MT control suffix; Located in temperature control area
	M414228P	Transformer	240 Volt/60 Hertz; OM control suffix
	M414229P	Transformer	380-480 Volt/50 or 60 Hertz; OM control suffix
<b>6</b>	M405363	Terminal Block	3 pole; MM and MT control suffixes
	M405364	Terminal Block	2 pole; OM control suffix
<b>7</b>	M413087	Transformer Harness Assembly	60 Hertz; MT control suffix
<b>8</b>	N/A	Contactorm Box Harness Assembly	MM and MT control suffixes
<b>9</b>	M413168	Bypass Harness Assembly	Steam models; MM and OM control suffixes
<b>10</b>	N/A	Din Rail	
<b>11</b>	N/A	Terminal Strip	
<b>12</b>	51778	Screw	
<b>13</b>	M410529	Contactorm	60 Hertz; 4 pole; MM and MT control suffixes
	M410457P	Contactorm	50 Hertz; MT control suffix
	M413614P	Fan Contactorm	50 or 60 Hertz; OM control suffix
<b>14</b>	33562	Screw	

**N/A = Part no longer available**

# Contactor Box - 120 Pound DC, JC and SC Models

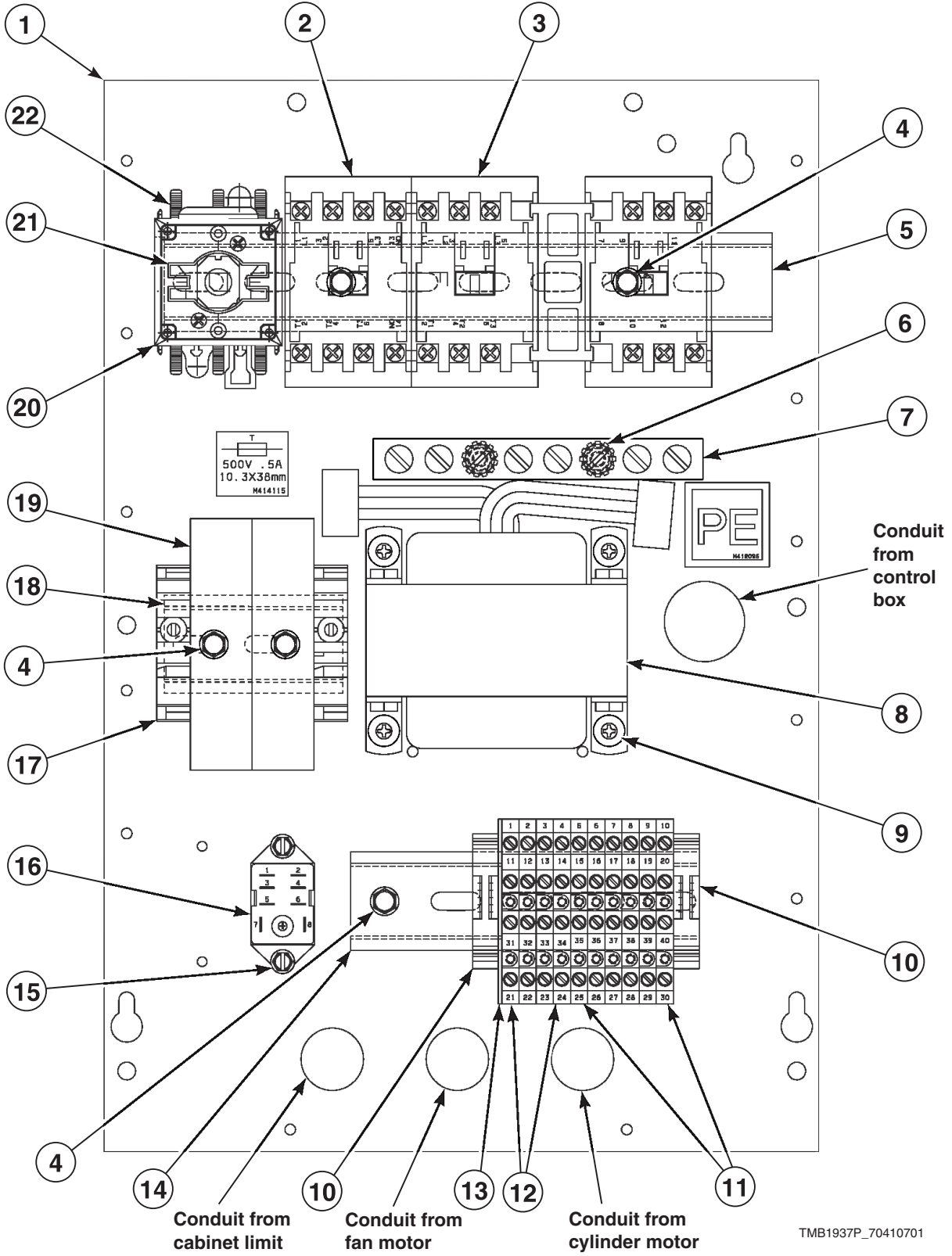


## Contactor Box - 120 Pound DC, JC and SC Models

REF	PART NO.	DESCRIPTION	COMMENTS
	M411683	Reversing Timer	
	502592	Fuse	Located on box side; 3.15 Amp; MT control suffix
	M413889	Fuse	Located on box side; 4 Amp; MM control suffix
	502591P	Fuse Holder Kit	Located on box side
	502811	Fuse Carrier	Located on box side
	23951	Nut	MM control suffix
	M412996	Fuse	MT control suffix
	M413621	Fuse	MM control suffix
<b>1</b>	N/A	Junction Box Bottom	
<b>2</b>	M412404P	Contactor	
<b>3</b>	N/A	Auxiliary Contact Block	Gas models with MT control suffix
<b>4</b>	M412405P	Reversing Contactor	
<b>5</b>	51780	Screw	
<b>6</b>	N/A	Din Rail	
<b>7</b>	M412688	Nut	
<b>8</b>	M412656	Ground Buss Assembly	
<b>9</b>	33562	Screw	MT control suffix
	M400044	Screw	MM control suffix
<b>10</b>	M412412P	Transformer	MT control suffix
	M414229P	Transformer	MM control suffix
<b>11</b>	70121001	End Stop	
<b>12</b>	M412631	Terminal Block	2 circuit; 7 required
<b>13</b>	M412632	Terminal Block	1 circuit; 4 required
<b>14</b>	M412633	End Barrier	
<b>15</b>	N/A	Din Rail	5 inch
<b>16</b>	501086	Screw	
<b>17</b>	M412534	Relay	2 required; Gas models with MT control suffix
<b>18</b>	N/A	Din Rail	
<b>19</b>	M412615	End Stop	
<b>20</b>	M412538	Terminal Block	
<b>21</b>	M412366	Finger Guard	
<b>22</b>	M412370	Extension Handle	
<b>23</b>	M412187P	Mounting Switch Base	

**N/A = Part no longer available**

# Contactor Box Assembly - 170 Pound DC, JC and SC Models



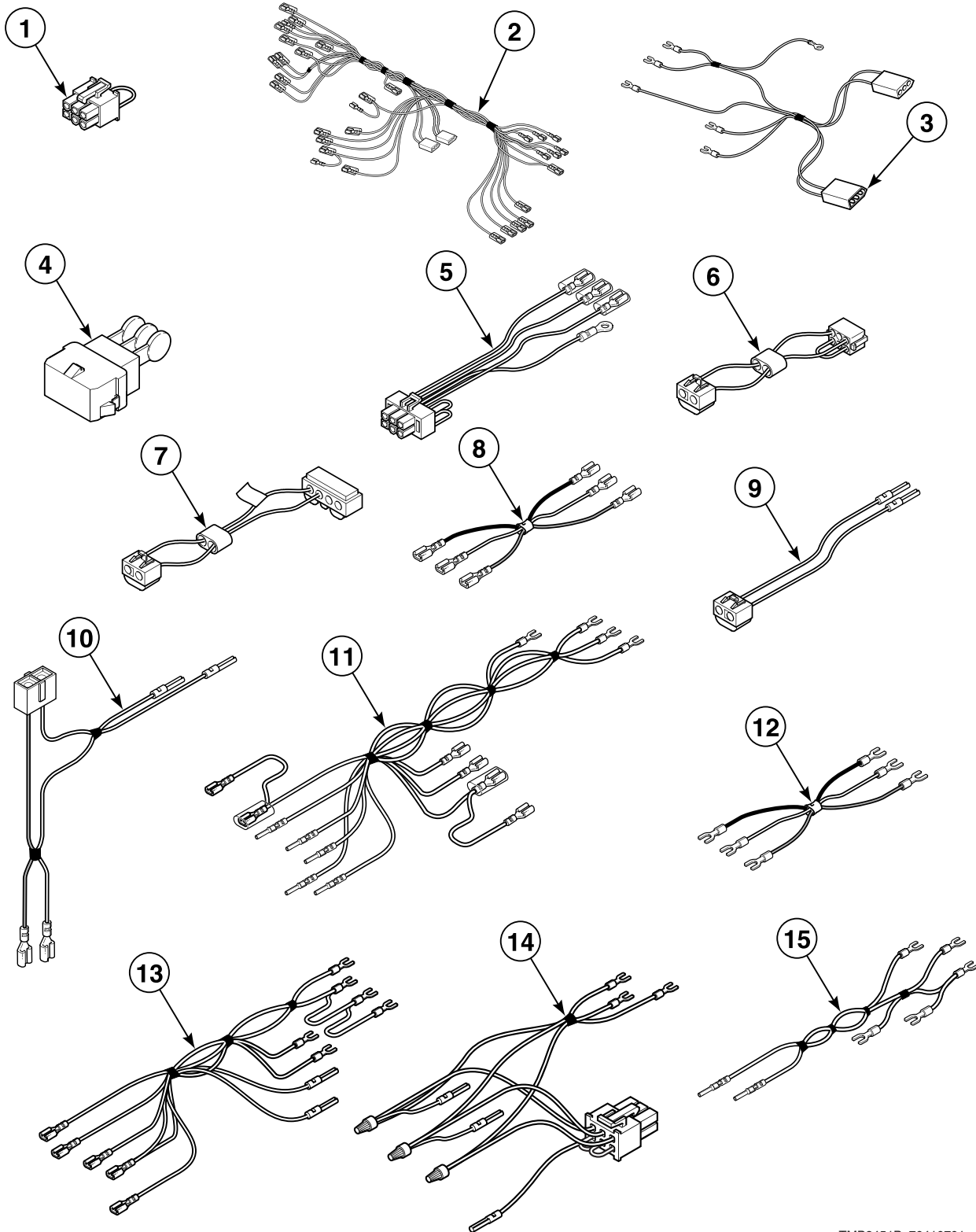
TMB1937P\_70410701

## Contactor Box Assembly - 170 Pound DC, JC and SC Models

REF	PART NO.	DESCRIPTION	COMMENTS
	M413889	Fuse	4 Amp; Located on box side
	502591P	Fuse Holder Kit	Located on box side
	502811	Fuse Carrier	Located on box side
	23951	Nut	
	M413621	Fuse	.5 Amp
<b>1</b>	N/A	Junction Box Bottom	
<b>2</b>	M412404P	Contactor	
<b>3</b>	M412405P	Reversing Contactor	
<b>4</b>	51780	Screw	
<b>5</b>	N/A	Din Rail	
<b>6</b>	M412688	Nut	
<b>7</b>	M412656	Ground Buss Assembly	
<b>8</b>	M414229P	Transformer	
<b>9</b>	M400044	Screw	
<b>10</b>	70121001	End Stop	
<b>11</b>	M412631	Terminal Block	2 circuit
<b>12</b>	M412632	Terminal Block	1 circuit
<b>13</b>	M412633	End Barrier	
<b>14</b>	N/A	Din Rail	
<b>15</b>	501086	Screw	
<b>16</b>	M412534	Relay	
<b>17</b>	M412615	End Stop	
<b>18</b>	N/A	Din Rail	
<b>19</b>	M412538	Terminal Block	
<b>20</b>	M412187P	Mounting Switch Base	
<b>21</b>	M412370	Extension Handle	
<b>22</b>	M412366	Finger Guard	

**N/A = Part no longer available**

# Contactor Box Harnesses



TMB2451P\_70410701

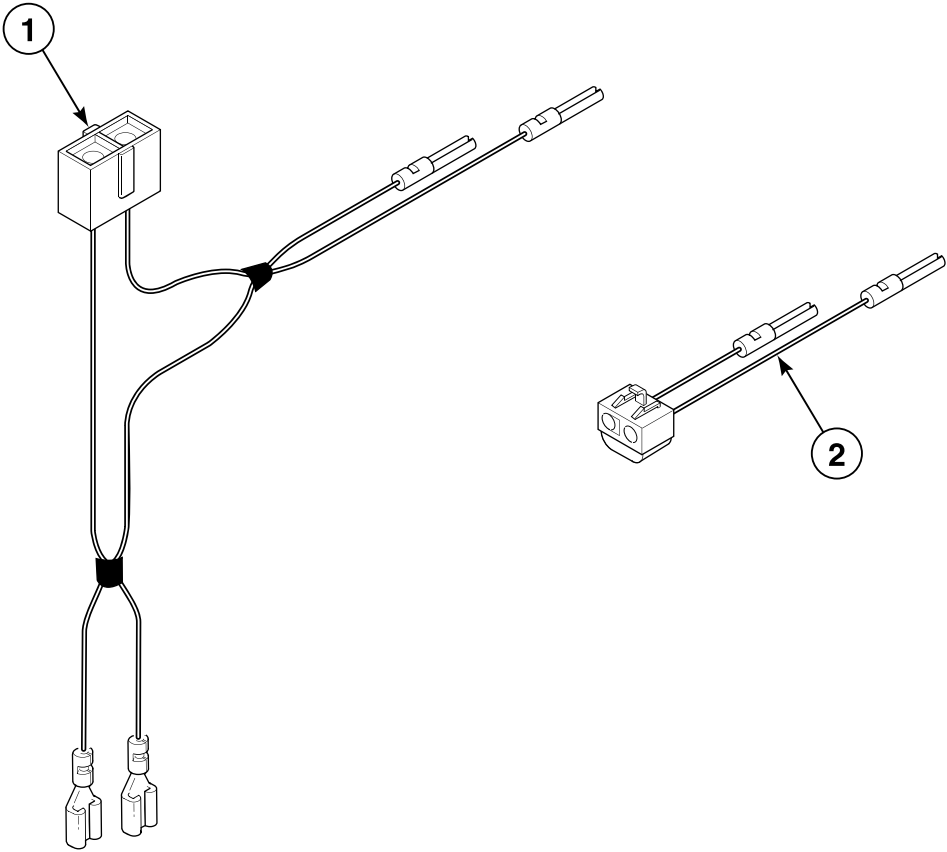


## Contactor Box Harnesses

REF	PART NO.	DESCRIPTION	COMMENTS
1	M413168	Bypass Harness Assembly	A, DT, JT and ST models with OM control suffix
2	N/A	Contactor Box Harness Assembly	A, DT, JT and ST models with MM and MT control suffixes
3	M413087	Transformer Harness Assembly	A, DT, JT and ST models with MT control suffix
4	M413863	Network Capacitor Assembly	A, DT, JT and ST models with OM control suffix
5	M413878	Capacitor Network Harness Assembly	A, DT, JT and ST models with OM control suffix
6	M413506	Jumper Harness Assembly	208 Volt; A, DT, JT and ST models with OM control suffix
	M413507	Jumper Configuration Assembly	240 Volt; A, DT, JT and ST models with OM control suffix
7	M413508	Jumper Harness Assembly	380-415 Volt; OM control suffix
	M413510	Jumper Configuration Assembly	460-480 Volt; A, DT, JT and ST models with OM control suffix
8	M413624	Reversing Contactor Jumper Assembly	A, DT, JT and ST models; 3 Phase; Upper
9	M414028	Transformer Harness Assembly	DC, JC and SC models with MM control suffix; Primary
10	M412641	Transformer Harness Assembly	DC, JC and SC models with MT control suffix; Secondary
11	N/A	Reversing Timer Harness Assembly	DC, JC and SC models with MT control suffix
12	M412928	Reversing Jumper Harness Assembly	DC, JC and SC models with MT and OM control suffixes; Upper
	M412929	Reversing Jumper Harness Assembly	DC, JC and SC models with MT and OM control suffixes; Lower
13	M414224	Relay Harness Assembly	DC, JC and SC models with OM control suffix
14	M414077	Jumper Wire	DC, JC and SC models with OM control suffix
15	M414034	Reversing Contactor Harness Assembly	DC, JC and SC models with OM control suffix

**N/A = Part no longer available**

# Transformer Harness - DC, JC and SC Models



TMB2417P\_70410701

# Transformer Harness - DC, JC and SC Models

REF	PART NO.	DESCRIPTION	COMMENTS
1	M412641	Transformer Harness Assembly	MT control suffix
2	M414028	Transformer Harness Assembly	OM control suffix



# Parts Index

## A

Access Panel	
M411348*P .....	13
M412950*P .....	13
M412951 .....	13
Actuator Arm Assembly	
H96387501 .....	49
Airflow Switch	
431431 .....	39
Airflow Switch Bracket	
430370 .....	39
Airflow Switch Bracket and Vane Kit	
430372P .....	39
Airflow Switch Harness Assembly	
M413042P .....	39
Airflow Switch Vane	
430372 .....	39

## B

Ball Bearing	
H87672374 .....	23
M401375P .....	37
M414367 .....	23
44104801 .....	31
Ball Bearing Insert	
H8768212H .....	31
Ball Valve	
M413016 .....	43
M413017 .....	45
Base Bracket	
H96428693 .....	27, 31, 33
Bearing Flangette	
H96382080 .....	49
Bearing Insert	
H96382098 .....	49
Bearing Mounting	
H96428008 .....	25
Bearing Mounting Flangette	
H8768302H .....	31
Bearing Retainer	
M401370 .....	37
Belt	
H8753170H .....	31
H87532685 .....	33
H87533014 .....	23
Belt Adjustment Tube	
H96428487 .....	23
Belt Guard	
M411222 .....	19
M411223P .....	19
M414491P .....	19
M414492P .....	19
Belt Guard Cover	
M414284 .....	21
Belt Guard Side	
M413136 .....	21

Belt Set	
H87533816P .....	23
Blower Cover	
H96358007 .....	29, 31
Blower Motor Base Kit	
H608P3 .....	29, 31
Blower Shaft	
M412000 .....	31
Bolt	
H88301411 .....	41
H8830143H .....	41
Burner	
M412025 .....	43, 45
Burner Orifice	
M400997 .....	47
M401017 .....	47
M401021 .....	47
M401022 .....	47
M402487 .....	47
M402995 .....	47
M406361 .....	47
M411371 .....	47
M411372 .....	47
M411373 .....	47
M411374 .....	47
M411375 .....	47
M411376 .....	47
Bushing	
H87529111P .....	27, 29, 31
H87529129P .....	27
H8752922HP .....	35, 37
H8752985HP .....	23
M412917P .....	31, 35, 37
M412995P .....	33
M414459 .....	49
Bypass Harness Assembly	
M413168 .....	49, 53, 59

## C

Cabinet Limit Harness Assembly	
M413083 .....	29, 31, 33, 35, 37
M413144 .....	33, 35, 37
M414261 .....	31, 33, 35, 37
Capacitor Network Harness Assembly	
M413878 .....	59
Clip	
M400976 .....	51
M400984 .....	21
Coil Filter	
H96362264 .....	49
Conduit Clamp	
M411614 .....	43
Contact Block	
M412230 .....	5
Contacto	
M410457P .....	53
M410529 .....	53
M412404P .....	55, 57
Contacto	
M411279 .....	53

N/A items do not appear in index.

Control Box Harness Assembly	
M413210 .....	5, 9, 11
Control Kit	
70228401P .....	11
Conversion Kit	
M4577P3 .....	43
Cotter Pin	
02470 .....	39
Cylinder and Trunnion Assembly	
M409708 .....	41
44054701 .....	41
44054702 .....	41
44054801 .....	41
44054802 .....	41
Cylinder Assembly	
H96367545 .....	41
H96427513 .....	41
M409659 .....	41
M409788 .....	41
M409826 .....	41
Cylinder Motor Harness Assembly	
M413044 .....	41
M413110 .....	27, 41

## D

Damper	
H96387519 .....	49
Damper Assembly	
H96367685 .....	49
M409967 .....	29, 31
Damper Counterweight	
M413331 .....	49
Damper Motor	
M412905P .....	49
M413592P .....	49
Damper Motor Harness Assembly	
M413086 .....	49
Damper Rod	
M413401 .....	51
Damper Vane	
M413402 .....	51
Door Glass and Seal Kit	
M409899P .....	17
Door Handle	
M400133 .....	17
Door Latch	
M401223 .....	15
Door Safety Switch Kit	
M4842P3 .....	15
Door Seal Kit	
70211904P .....	17
Door Switch	
H96422241 .....	15
Door Switch Harness Assembly	
M413054 .....	15
Drive Chain	
H96388186 .....	49
Drive Rivet	
M400713 .....	9
Drive Wheel	
H96388178 .....	49

## E

Emergency Stop Panel	
M414245R .....	11
End Barrier	
M412633 .....	55, 57
End Stop	
M412615 .....	55, 57
70121001 .....	55, 57
Extension Handle	
M412370 .....	55, 57

## F

Face Plate	
M413089* .....	9
M413793W .....	11
Fan	
H96368469 .....	35, 37
Fan and Bushing Assembly	
M414546 .....	29, 31
Fan Bearing Conversion Kit	
M4680P3 .....	35, 37
Fan Contactor	
M413614P .....	53
Fan Motor	
44046401 .....	31
44046501P .....	33
Fan Motor Harness Assembly	
M413111 .....	31
Filter Channel	
H96388087 .....	49
44045101 .....	49
Finger Guard	
M412366 .....	55, 57
Flange Bearing	
H8762501H .....	35
44048301P .....	25
Flexible Coupler	
M412551 .....	15
Front Panel	
M411383WP .....	15
M411384 .....	15
M412948* .....	15
M412949 .....	15
M413074* .....	15
M413075 .....	15
M413092*P .....	15
M413178* .....	15
M413274 .....	15
M413276 .....	15
M414256* .....	15
M414257 .....	15
Fuse	
M412996 .....	55
M413118 .....	7
M413621 .....	55, 57
M413889 .....	55, 57
502592 .....	55
Fuse Carrier	
502811 .....	55, 57
Fuse Holder Kit	
502591P .....	55, 57

N/A items do not appear in index.

Fuse Receptacle 91024P.....	7
--------------------------------	---

## G

Gas Pipe M411265.....	43
Gas Valve M412362P.....	43, 45
M412363P.....	43, 45
M412364.....	43, 45
M413470P.....	43, 45
Gas Valve Assembly 44118501P.....	43
Gas Valve Bracket M411259.....	43, 45
Gas Valve Kit M413465P.....	43
M4883P3.....	43, 45
M4951P3.....	43, 45
Ground Buss Assembly M412656.....	55, 57

## H

High Temperature Ignition Lead 44061602P.....	43, 45
44061605P.....	43, 45
Hinge Pin M410029.....	15

## I

ICM Return Lead M411061.....	43
Idler Housing M412612.....	37
Idler Housing Assembly M412630.....	37
Idler Shaft M414241.....	37
Ignition Control M406789P.....	7
70367301P.....	7
70367401P.....	7
Ignition Control Harness Assembly M413534P.....	7
Indicator Light M412234.....	5, 7
Instant Electronic Ignition Control M410904P.....	7, 43

## J

Jackshaft Assembly H96357751.....	23
Jumper Configuration Assembly M413507.....	59
M413510.....	59

Jumper Harness Assembly M413506.....	59
M413508.....	59
Jumper Wire M414077.....	59

## K

Key H8752006H.....	27, 29, 31
M400993.....	37
M401327.....	37
Knob M400773.....	5
M410927.....	5

## L

Lever Arm Switch 44021701.....	39
Limit Thermostat M411403.....	29, 51
M411946.....	31, 51
Lint Compartment Label 430527.....	15
Lint Panel M411453*P.....	13
M411454.....	13
M411455*P.....	13
M411456.....	13
Lint Panel Bumper M411559.....	13
Lint Panel Clip 44017801.....	13
Lint Screen 44063602.....	19
44063603P.....	21
44077702P.....	19
44077703P.....	21
Lint Screen Clip H96418413.....	19, 21
Lint Screen Frame H96362025.....	21
M409652.....	19
Loading Door Assembly M410289*P.....	17
M410290.....	17
Loading Door Gasket H96409156P.....	17
Loading Spring M400401.....	37
Lower Door Hinge M410031.....	17
M410702P.....	17
L.P. Conversion Kit M4591P3.....	45
M4592P3.....	45

N/A items do not appear in index.

---

**M**

Manual Reset Thermostat	
M413989 .....	45
Master Link	
H96382072 .....	49
Micro Control Harness Assembly	
M413146 .....	9
Micro Mounting Plate	
M413094 .....	9
Microprocessor Overlay	
M412961 .....	9
M413420 .....	11
M413422 .....	11
M413426 .....	11
Motor	
44046301P .....	29
44046601 .....	33
44052901P .....	27
44053001P .....	27
Motor Adjustment Tube	
H96428628 .....	31
Motor Base	
M413171 .....	27, 31, 33
Motor Bracket	
H96388145 .....	49
Mounting Insulation	
H96418728 .....	15, 39
Mounting Plate	
M413794W .....	11
Mounting Switch Base	
M412187P .....	55, 57

---

**N**

Nameplate	
M410355 .....	13
44010401 .....	13
Nameplate Overlay	
M412963 .....	13
Network Capacitor Assembly	
M413863 .....	59
Nut	
H88412093 .....	27, 33
H88412101 .....	25, 33, 41
H8841927H .....	13
M400979 .....	15, 39
M404993 .....	23, 27
M412334 .....	41
M412688 .....	55, 57
Q6163 .....	17
20274 .....	23, 25, 27, 33, 37
23951 .....	13, 19, 21, 51, 53, 55, 57
29786 .....	35, 37
51236 .....	17
70054 .....	9, 11, 17
70142 .....	27, 29, 33
N.G. Kit	
M4900P3 .....	45

---

**P**

Panel Hinge Kit	
M410041P .....	15
M410042P .....	15
Pilot Light	
JST-163-2 .....	5, 7
M400704 .....	5, 7
Pipe Bracket	
M411498 .....	43
Pipe Nipple	
H85101673 .....	45
M411417 .....	43, 45
M413023 .....	45
Pipe Union	
M411419 .....	43, 45
Pushbutton Switch	
M413431 .....	5, 11
Push-to-Start Switch Kit	
44106901P .....	5

---

**R**

Relay	
M400911P .....	5
M400912P .....	5
M412534 .....	55, 57
Relay Harness Assembly	
M414224 .....	59
Retaining Ring	
H88602263 .....	23
H88603477 .....	23
Reversing Contactor	
M410515P .....	53
M412405P .....	55, 57
M413615P .....	53
Reversing Contactor Harness Assembly	
M414034 .....	59
Reversing Contactor Jumper Assembly	
M413624 .....	59
Reversing Contactor Kit	
M4850P3 .....	53
Reversing Jumper Harness Assembly	
M412928 .....	59
M412929 .....	59
Reversing Timer	
M411683 .....	53, 55
Rocker Switch	
M413270 .....	7, 9
Rod End	
44048501 .....	23, 27, 31, 33
Roll Pin	
H88970256 .....	49
Roller Catch	
H87020202 .....	13, 19
Rotary Signal	
500823 .....	7

N/A items do not appear in index.



---

**S**

## Screw

H88001565 .....	23, 27
H8800901H .....	29, 31, 35, 37
H88012034 .....	25
H88110267 .....	15
H88129648 .....	15, 17
H88213996 .....	25
M400043 .....	37
M400044 .....	13, 17, 19, 21, 51, 53, 55, 57
M400056 .....	27, 29, 33
M400072 .....	5, 7, 15
M400661 .....	17
M400664 .....	9, 11, 19
M401938 .....	39
M409385 .....	17, 37
M411052 .....	5
M411165 .....	25
M411267 .....	13, 15
M412159 .....	43
M412531 .....	15
M413528 .....	33
M414504 .....	13
22688 .....	23, 27, 33
33562 .....	53, 55
430497 .....	21, 29, 39, 43, 45, 51
430757 .....	13
501086 .....	55, 57
51778 .....	29, 53
51780 .....	5, 55, 57
56693 .....	43
62588 .....	53
70187202 .....	37
Sensor Cable Assembly M413552P .....	19, 21
Sensor Harness Assembly M413343 .....	19
Sensor Wire M414287 .....	45
Shaft Collar M414451 .....	49
Sheave H8752026H .....	27
H87520284 .....	31
H87520334 .....	27, 31
H87520466 .....	27
H8752060H .....	33, 35, 37
H8752065H .....	33, 35, 37
H8752251H .....	23
Spacer M401402 .....	41
M413252 .....	9
Spark Igniter M406934P .....	43, 45
M410905P .....	43, 45
Spring Pin H88900683 .....	49
Spud Holder M411254 .....	43
M411736 .....	45
Steam Coil H96382023P .....	49
M409833P .....	49
M409834P .....	49

Steam Coil Filter H96382106 .....	49
Steam Coil Housing Cover 44018501 .....	49
Steam Cover 44018401 .....	49
Steam Valve M413295P .....	49
M413298P .....	49
70351001P .....	49
70351002P .....	49
Steam Valve Coil M412258 .....	49
M413299P .....	49
M413302 .....	49
70205701P .....	49
Step Pulley H96428024 .....	23
Stove Assembly M411097 .....	43
Stove Gasket M411505 .....	43, 45
Stove Limit Harness Assembly M413041 .....	45
M413104P .....	43
Stove Limit Harness Bracket 431078 .....	43, 45
Stove Limit Thermostat M411404 .....	43, 45
431177 .....	45
Stove Partition Gasket M411506 .....	43, 45
Street Elbow M411264 .....	43
Switch Plate M413236 .....	9

---

**T**

Temperature Knob M411344 .....	7
M411345 .....	7
Terminal Block M405363 .....	7, 53
M405364 .....	53
M412538 .....	55, 57
M412631 .....	55, 57
M412632 .....	55, 57
Thermistor M414704 .....	19, 21
Thermistor Assembly M413212P .....	19
Thermostat H8900530H .....	29, 31, 51
M411333P .....	7
M413088 .....	31
M413988 .....	43, 45
Thermostat Cover M414477 .....	43, 45
Thermostat Panel M411572 .....	7
M411574 .....	7
Timer M412079P .....	5

N/A items do not appear in index.

M412080P.....	5
Timer Harness Assembly	
M413055 .....	5
M413641 .....	5
Timer Kit	
M410900P.....	5
M410901P.....	5
M410902P.....	5
M410903P.....	5
Timer Panel	
M411575 .....	5
Top Access Panel Gusset	
M412979W.....	13
M412980W.....	13, 21
Transformer	
M401391P.....	7, 53
M412412P.....	55
M413100P.....	53
M414228P.....	53
M414229P.....	53, 55, 57
Transformer Harness Assembly	
M412641 .....	59, 61
M413087 .....	53, 59
M414028 .....	59, 61
Trunnion Assembly	
44054601 .....	41
44055501 .....	41

---

## U

Upper Door Hinge	
M410030 .....	17
M410701P.....	17

---

## W

Warning Label	
M410892 .....	15
Washer	
M400013 .....	27, 29, 33
M400014 .....	23, 27, 33, 37
M400080 .....	27, 33, 37
M400081 .....	23, 25
M400671 .....	15
Q6712 .....	25, 33
56552 .....	29, 31, 35, 37
91200 .....	25, 33

---