

Drying Tumblers

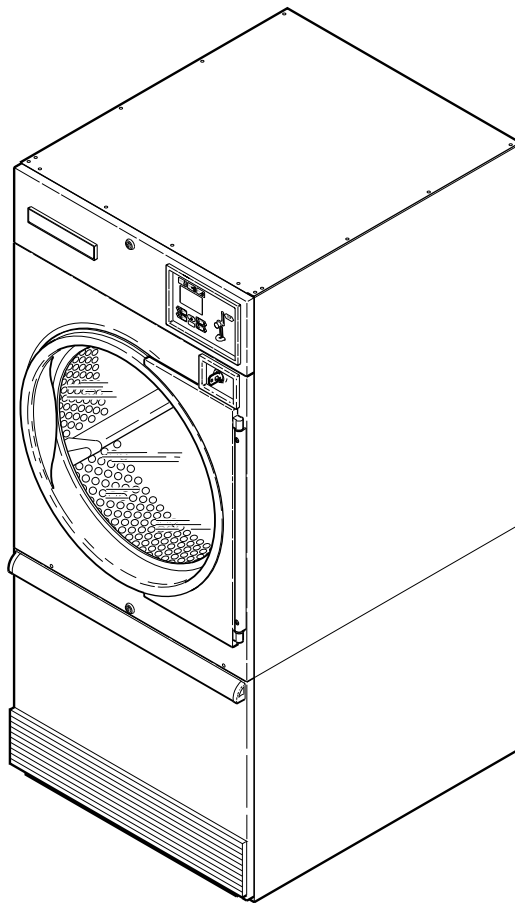
25 Pound Capacity

30 Pound Capacity

35 Pound Capacity

Models Through Serial No. 0602004143

Refer to Page 5 for Model Numbers



T463P_70275601

Table of Contents

Title	Page
Parts Ordering Information.....	3
Serial Plate Location	3
Model Identification	5
Electromechanical Coin Drop Components	6
Coin Meter	8
Manual Dual Timer Controls	10
DX4 Control Components	12
DMP Control	14
OPL Microprocessor Controls.....	16
Electronic Coin Drop Components for EDC Models	18
Card Reader Components for EDC Models.....	20
Coin Drop Components for MDC Models.....	22
Central Pay and Card Reader for MDC Models.....	24
BY Control Option for MDC Models	26
Coin Drops	28
Coin Drop Components for NetMaster Models	30
Card Reader for NetMaster Models	32
Network Board for NetMaster Models.....	34
Communication Board for NetMaster Models	36
Door and Hinge Components	38
Front Panel and False Front Assemblies.....	40
Cabinet Front Components (Drawing 1 of 2)	42
Cabinet Front Components (Drawing 2 of 2)	44
Emergency Stop Button for CE Models	46
Cylinder Components	48
Cabinet Components	50
Lower Cabinet Components	52
Lower Cabinet Components - 25 Pound Models with Hinged Lint Door.....	54
Drive Motor Components	56
Blower Components.....	58
Airflow Switch.....	60
Gas Burner Components	62
Secondary Stove Limit and Gas Burner Housing	64
Rotation Sensor	66
Gas Valve Assembly - Non-CE and Non-Australian Models.....	68
Gas Valve and Piping - CE and Australian Gas Models	70
Electric Heater Components	72
Steam Heater Components	74
Control Tray - Non-CE and Australian Gas Models	76
Control Tray - CE Gas Models.....	78
Control Tray - Non-CE Steam Models	80

© Copyright 2013, Alliance Laundry Systems LLC

All rights reserved. No part of the contents of this book may be reproduced or transmitted in any form or by any means without the expressed written consent of the publisher.

Control Tray - CE Steam Models	82
Control Tray - Non-CE Electric Models	84
Control Tray - CE Electric Models	86
Accessory Box - Non-CE Electric Models - 240 Volt and Lower	88
Accessory Box - Non-CE Electric Models - 380 Volt and Higher	90
Accessory Box - CE Electric Models - 240 Volt and Lower	92
Accessory Box - CE Electric Models - 380 Volt and Higher	94
Parts Index	97

Parts Ordering Information

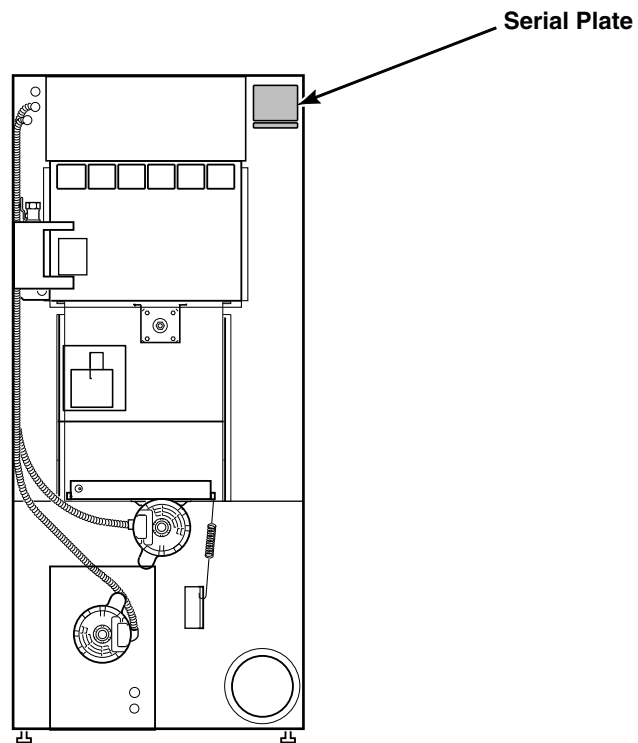
If literature or replacement parts are required, contact the source from whom the machine was purchased or contact Alliance Laundry Systems at (920) 748-3950 for the name and address of the nearest authorized parts distributor.

For technical assistance, call either of the numbers listed below:

(920) 748-3121 Ripon, Wisconsin
+32 56 41 20 54 Wevelgem, Belgium

Serial Plate Location

When calling or writing about your product, be sure to mention model and serial numbers. Model and serial numbers are located on serial plate as shown.



TMB2146P_70275601

Model Identification

Information in this manual is applicable to these tumbler models:

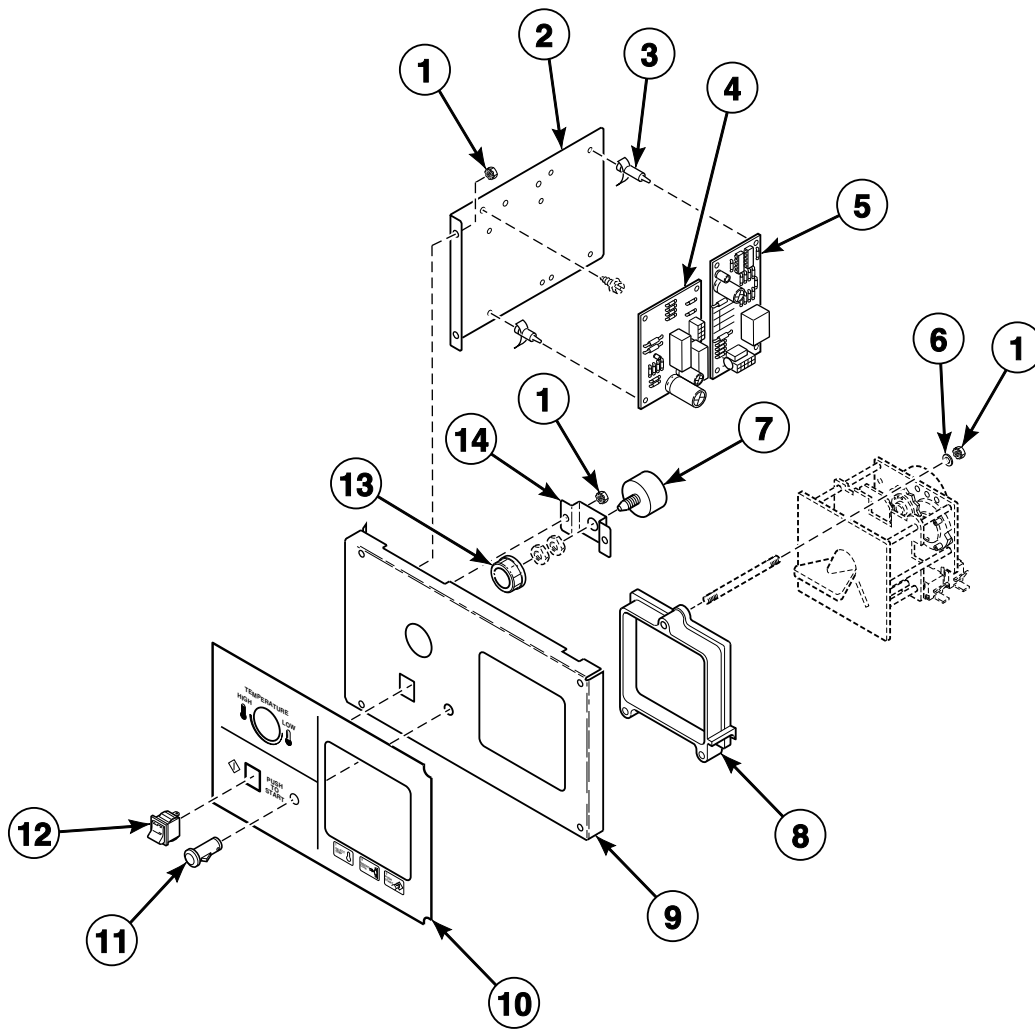
AT035E	DR25E2-BT025E	HA025L	IPD25E2	PA025L	ST025E	UT030E
AT035L	DR25E2-BU025E	HA025N	IPD25G2	PA025N	ST025L	UT030L
AT035N	DR25G2-BA025L	HA030L	IPD25S2	PA030L	ST025N	UT030N
AT035S	DR25G2-BA025N	HA030N	IPD30E2	PA030N	ST025S	UT030S
CHD25E2-CT025E	DR25G2-BT025L	HA035L	IPD30G2	PA035L	ST030E	UT035E
CHD25E2-CU025E	DR25G2-BT025N	HA035N	IPD30S2	PA035N	ST030L	UT035L
CHD25G2-CA025L	DR25G2-BU025L	HT025E	IPD35E2	PT025E	ST030N	UT035N
CHD25G2-CA025N	DR25G2-BU025N	HT025L	IPD35G2	PT025L	ST030S	UT035S
CHD25G2-CT025L	DR25S2-BT025S	HT025N	IPD35S2	PT025N	ST035E	UU025E
CHD25G2-CT025N	DR25S2-BU025S	HT025S	IT025E	PT025S	ST035L	UU025L
CHD25G2-CU025L	DR35E2-BT035E	HT030D	IT025L	PT030E	ST035N	UU025N
CHD25G2-CU025N	DR35E2-BU035E	HT030E	IT025N	PT030L	ST035S	UU025S
CHD25S2-CT025S	DR35G2-BA035L	HT030L	IT025S	PT030N	SU025E	UU030E
CHD25S2-CU025S	DR35G2-BA035N	HT030N	IT030E	PT030S	SU025L	UU030L
CHD30E2-CT030E	DR35G2-BT035L	HT030S	IT030L	PT035E	SU025N	UU030N
CHD30E2-CU030E	DR35G2-BT035N	HT035E	IT030N	PT035L	SU025S	UU030S
CHD30G2-CA030L	DR35G2-BU035L	HT035L	IT030S	PT035N	SU030E	UU035E
CHD30G2-CA030N	DR35G2-BU035N	HT035N	IT035E	PT035S	SU030L	UU035L
CHD30G2-CT030L	DR35S2-BT035S	HT035S	IT035L	PU025E	SU030N	UU035N
CHD30G2-CT030N	DR35S2-BU035S	HU025E	IT035N	PU025L	SU030S	UU035S
CHD30G2-CU030L		HU025L	IT035S	PU025N	SU035E	YT025E
CHD30G2-CU030N		HU025N	LT025L	PU025S	SU035L	YT025L
CHD30S2-CT030S		HU025S	LT025N	PU030E	SU035N	YT025N
CHD30S2-CU030S		HU030E	LT030L	PU030L	SU035S	YT025S
CHD35E2-CT035E		HU030L	LT030N	PU030N	UA025L	YT030E
CHD35E2-CU035E		HU030N	LT035L	PU030S	UA025N	YT030L
CHD35G2-CA035L		HU030S	LT035N	PU035E	UA030L	YT030N
CHD35G2-CA035N		HU035E	LU030E	PU035L	UA030N	YT030S
CHD35G2-CT035L		HU035L	LU030L	PU035N	UA035L	YT035E
CHD35G2-CT035N		HU035N	LU030N	PU035S	UA035N	YT035L
CHD35G2-CU035L		HU035S	LU035E	SA025L	UT025E	YT035N
CHD35G2-CU035N			LU035L	SA025N	UT025L	YT035S
CHD35S2-CT035S			LU035N	SA030L	UT025N	YU035E
CHD35S2-CU035S				SA030N	UT025S	YU035S
				SA035L		
				SA035N		

Control Suffixes:

3O – DX4 OPL	DO – DMP OPL	NR – NetMaster card
3V – DX4 vended	DV – DMP vended	NX – NetMaster, prep for coin
3X – DX4 prep for coin	DX – DMP prep for coin	NY – NetMaster, prep for card
BC – basic electronic, coin	EC – electronic coin	OM – OPL micro
BL – basic electronic, central pay	EP – electronic card reader	ZC – NetMaster network coin
BU – basic electronic, prep card - open	EX – coin ready	ZR – NetMaster network card
BX – basic electronic, prep for coin	EY – card ready	ZX – NetMaster network, prep for coin
BY – basic electronic, prep for card	MT – manual timer	ZY – NetMaster network, prep for card
CD – rotary coin drop	NC – NetMaster coin	

Electromechanical Coin Drop Components

C, H, I, P and S Models with CD Control Suffix



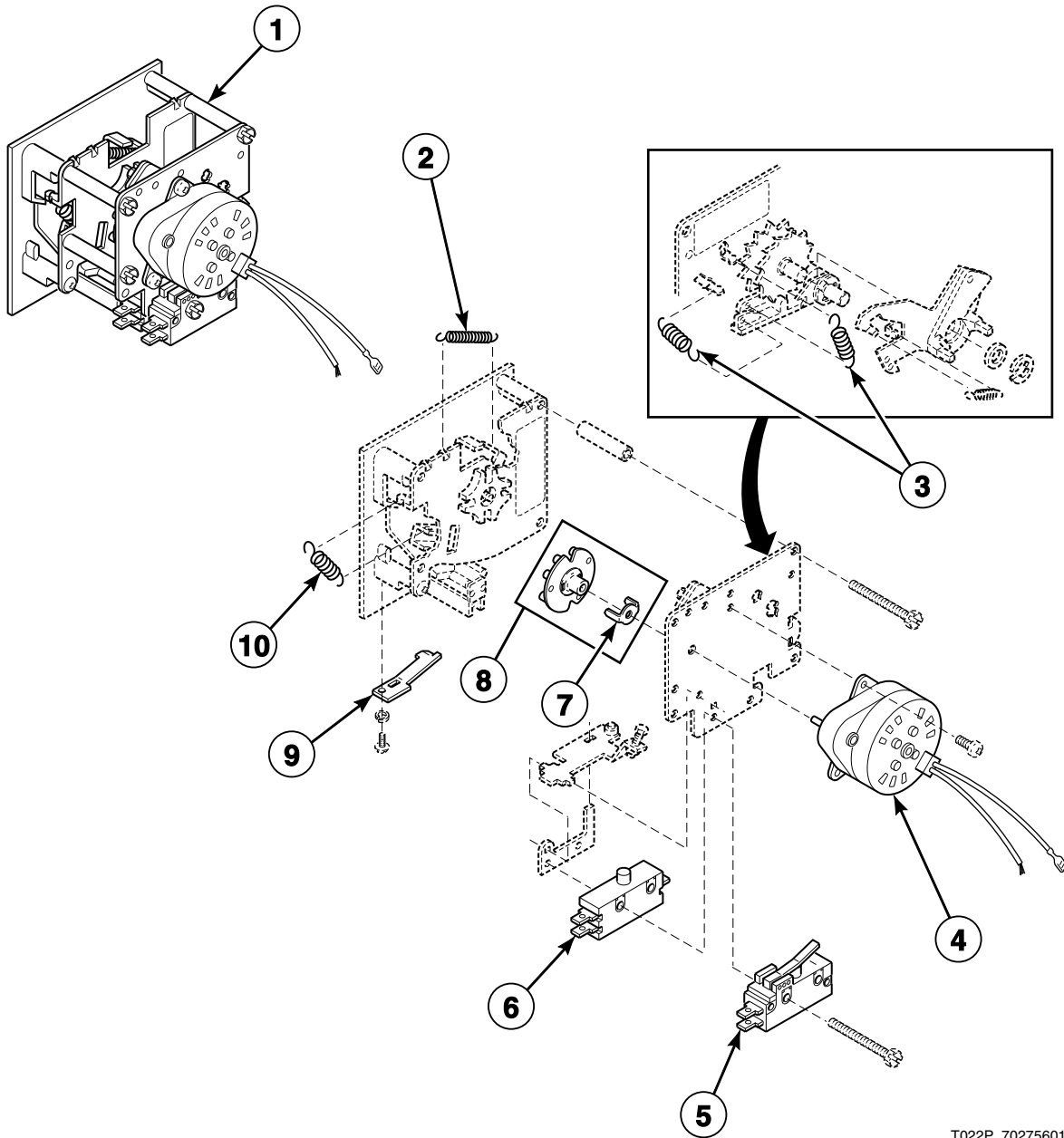
TMB2147P_70275601

Electromechanical Coin Drop Components

REF	PART NO.	DESCRIPTION	COMMENTS
	M400972	Shadow Box Clip	For trim pieces
	M4688P3	Rotary Coin Drop Control Kit	Does not include overlay, temperature knob or harness
	70179801	Control Panel Harness	Non-CE and non-Australian C, H, I, P and S models
	70084101	Jumper Configuration Assembly	25 and 30 pound models
	70084102	Jumper Configuration Assembly	35 pound models
1	70054	Nut	
2	70178901	Mounting Bracket	
3	34896	Circuit Board Support	
4	70175301P	Timer Control Assembly	
5	431347P	Thermostat Module	
6	M405535	Washer	For coin drop mounting
7	70475001P	Temperature Kit	Potentiometer
8	70061701	Rotary Drop Shroud	
9	70175804	Control Plate Assembly	Includes studs
10	70113501	Overlay	C, I, P and S models; English
	70114301	Overlay	H models; English
	70131001	Overlay	C, I, P and S models; Icon
	70134801	Overlay	H models; Icon
11	70082201	Indicator Light	
12	70108501	Start Switch	
13	44020501	Knob	C, I, P and S models; Temperature
	N/A	Temperature Knob	H models
14	70080701	Mounting Bracket	

N/A = Part no longer available

Coin Meter



T022P_70275601

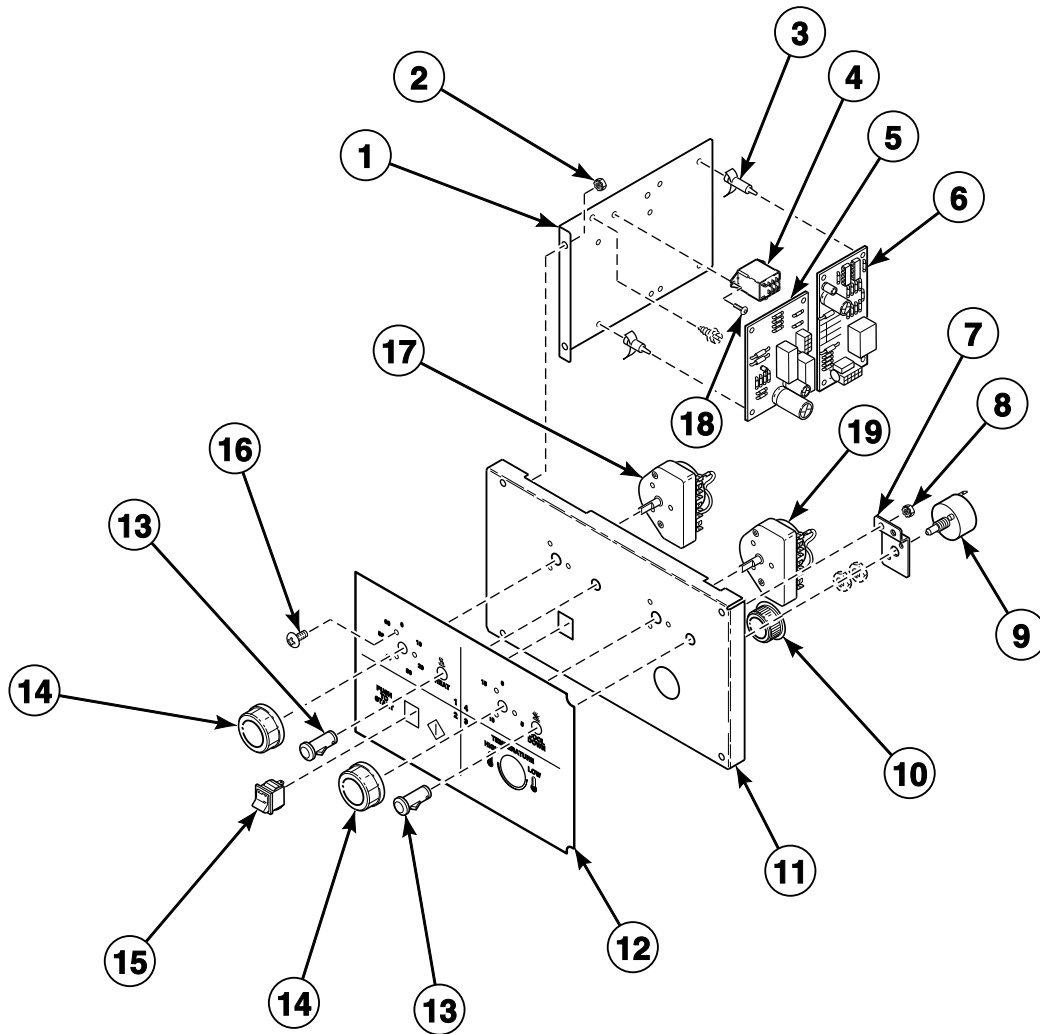
Coin Meter

REF	PART NO.	DESCRIPTION	COMMENTS
1	N/A	Coin Meter	Australia; .20/5 minutes
	70112501P	Coin Meter	Australia; 1.00/15 minutes
	70112701P	Coin Meter	US; \$.25/10 minutes; 60 Hertz
	70138401P	Coin Meter	US; \$.25/10 minutes; 50 Hertz
	70137301P	Coin Meter	Token; Standard 118-1; 60 Hertz; 10 minutes
	70137401P	Coin Meter	Token; Standard 118-5; 60 Hertz; 10 minutes
	70151301	Coin Meter	South Africa; .20/10 minutes
	N/A	Coin Meter	England; 20 pence/7.5 minutes
	N/A	Coin Meter	Denmark; 1 krone/5 minutes
	M412546	Coin Meter	Token; Standard 118-1; 50 Hertz; 10 minutes
	N/A	Coin Meter	Token; Standard 118-5/10; 50 Hertz; 10 minutes
	70262401	Coin Meter	Euro; .20/5 minutes
	N/A	Coin Meter	Euro; .50/10 minutes
	2	M405138B	Return Spring
3	M402455	Coil Spring	
4	70218201	Timer Motor	60 Hertz; 1 revolution/hour
	70218301	Timer Motor	50 Hertz; 2 revolution/hour
5	M400947	Switch	Heat; Switch "B"
6	N/A	Single Throw Switch	Run; Switch "A"
7	M400754	Coin Meter Drive	
8	M400732P	Timing Cam	10 pin; 6 minutes for 60 Hertz; 3 minutes for 50 Hertz
	M400733P	Timing Cam	12 pin; 5 minutes for 60 Hertz; 2.5 minutes for 50 Hertz
	M400734P	Timing Cam	2 pin; 30 minutes for 60 Hertz; 15 minutes for 50 Hertz
	M400735P	Timing Cam	3 pin; 20 minutes for 60 Hertz; 10 minutes for 50 Hertz
	M400736P	Timing Cam	4 pin; 15 minutes for 60 Hertz; 7.5 minutes for 50 Hertz
	M400737P	Timing Cam	5 pin; 12 minutes for 60 Hertz; 6 minutes for 50 Hertz
	M400738P	Timing Cam	6 pin; 10 minutes for 60 Hertz; 5 minutes for 50 Hertz
	M400739P	Timing Cam	7 pin; 8.5 minutes for 60 Hertz; 4.25 minutes for 50 Hertz
	M400740P	Timing Cam	8 pin; 7.5 minutes for 60 Hertz; 3.75 minutes for 50 Hertz
	M400741P	Timing Cam	9 pin; 6.6 minutes for 60 Hertz; 3.3 minutes for 50 Hertz
9	M406297	Coin Retainer Spring	
10	M405138A	Coin Carrier Spring	

N/A = Part no longer available

Manual Dual Timer Controls

A, C, H, I, P, S, U and YT Models with MT Control Suffix



T142K_70275601

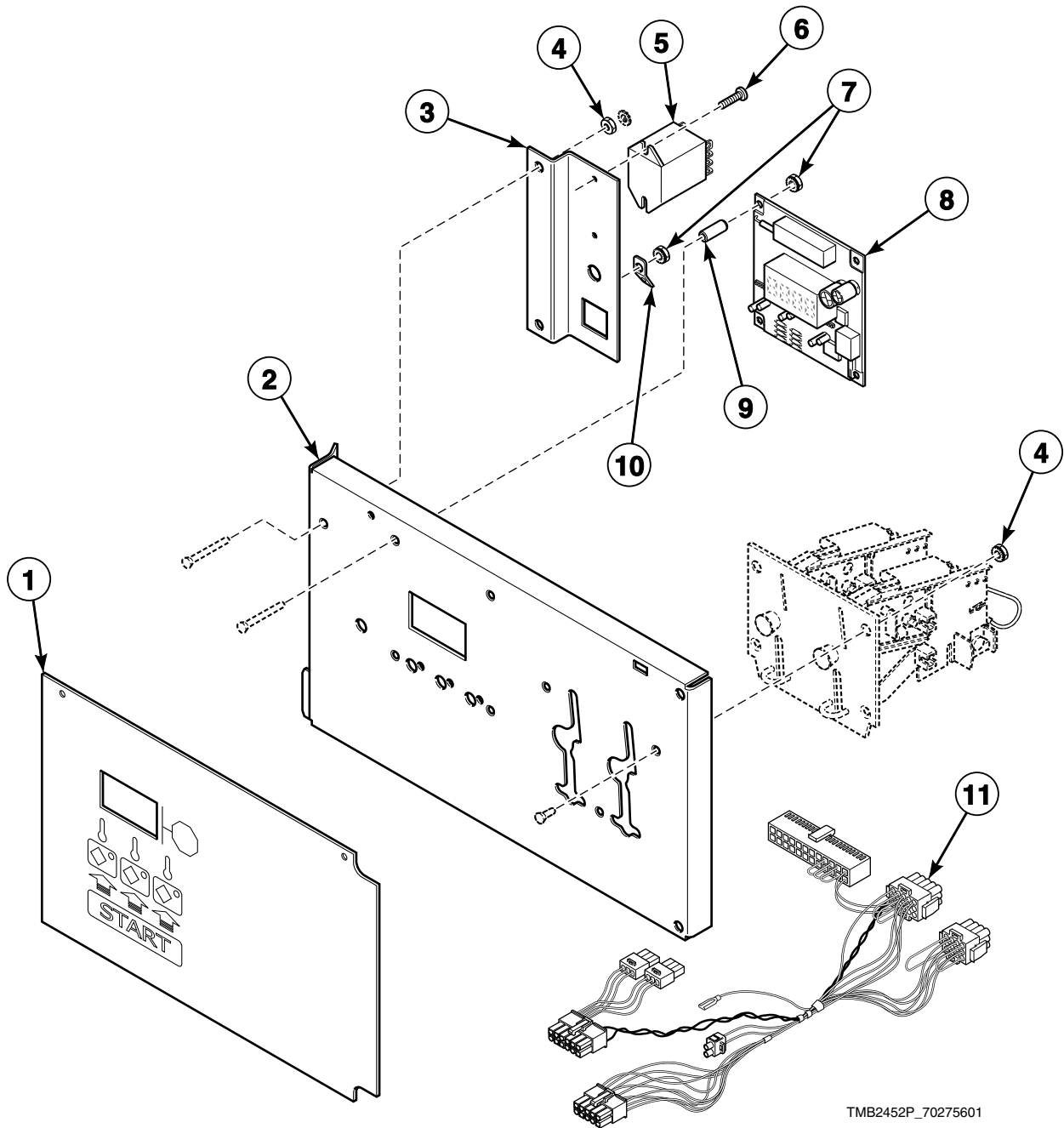
Manual Dual Timer Controls

REF	PART NO.	DESCRIPTION	COMMENTS
	M4690P3	Manual Timer Control Kit	Does not include overlay, temperature knob or harness
	70179901P	Control Panel Harness	
	70084101	Jumper Configuration Assembly	25 and 30 pound models
	70084102	Jumper Configuration Assembly	35 pound models
1	70178901	Mounting Bracket	
2	70054	Nut	
3	34896	Circuit Board Support	
4	M412534	Relay	24 Volt/50 or 60 Hertz
5	70175301P	Timer Control Assembly	
6	431347P	Thermostat Module	
7	70080701	Mounting Bracket	
8	M400977	Nut	
9	70475001P	Temperature Kit	Potentiometer
10	N/A	Temperature Knob	H models
	44020501	Knob	All other models; Temperature
11	70175803	Control Plate Assembly	Includes studs
12	70114501	Overlay	C, I, S, U and Y models; English
	70134901	Overlay	C, I, S and U models; Icon
	70114201	Overlay	H models; English
	70245901	Overlay	P models; Icon
	N/A	Overlay	H models; Icon
13	70082201	Indicator Light	Heat and cooling
14	M410927	Knob	H models; Timer
	70082101	Timer Knob	All other models
15	70108501	Start Switch	
16	44041301	Screw	
17	70131701P	Timer	Heat; 60 minute
	N/A	Timer	Heat; 24 Volt/50 Hertz; 60 minute
18	M402797	Screw	
19	70131801P	Timer	Cooling; 15 minute
	M412079P	Timer	Cooling; 24 Volt/50 Hertz; 15 minute

N/A = Part no longer available

DX4 Control Components

D and I Models with 3O, 3V and 3X Control Suffixes



TMB2452P_70275601

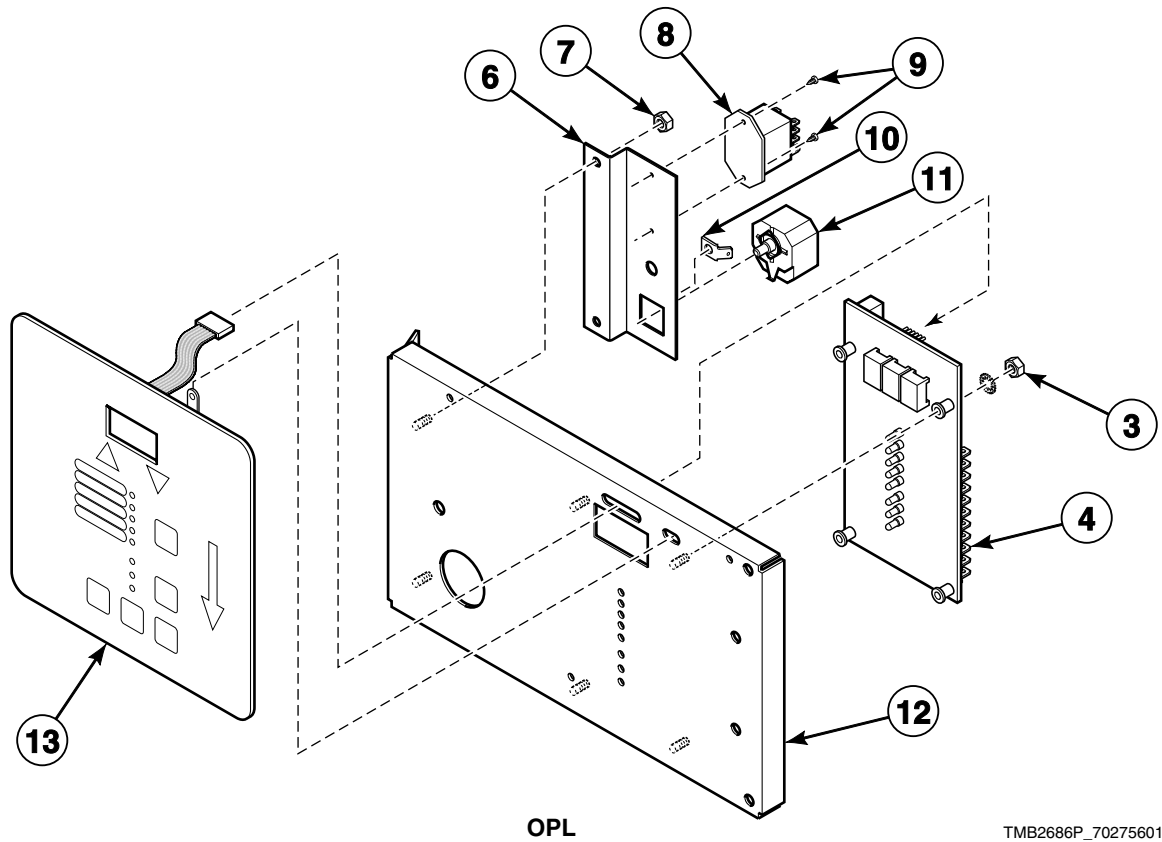
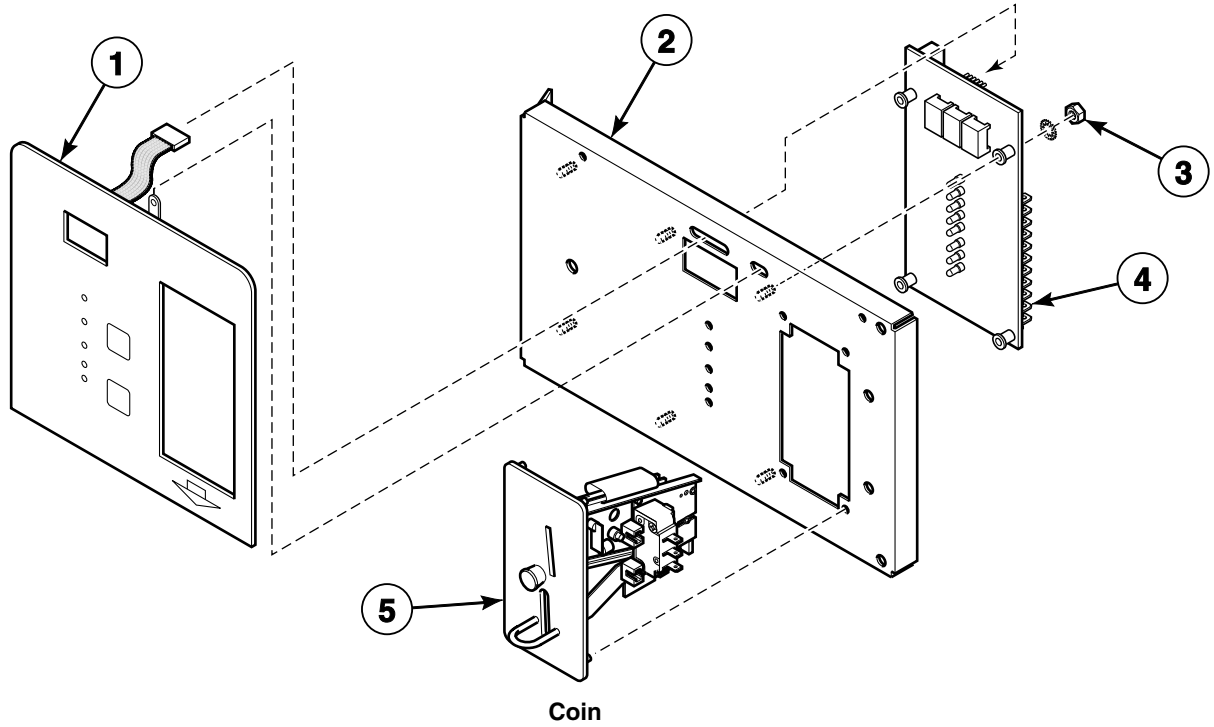
DX4 Control Components

REF	PART NO.	DESCRIPTION	COMMENTS
1	44050502	Graphic Overlay	Coin; Dual drop
	44050501	Graphic Overlay	Coin; Single drop
	44050401	Graphic Overlay	OPL
2	44050701P	Control Plate Kit	Includes studs
3	44041701	Relay/Buzzer Bracket	25 and 35 pound CE models
4	29786	Nut	25 and 35 pound CE models
5	M412534	Relay	25 and 35 pound CE models
6	M402797	Screw	25 and 35 pound CE models
7	29787	Nut	25 and 35 pound CE models
8	N/A	Electronic Control	
9	44050601	Sleeve	4 required
10	00177	Male Tab Terminal	
11	70279801	Control Panel Harness	Non-CE and non-Australian models through July 2005
	70280901	Control Panel Harness Assembly	CE and Australian models through July 2005
	70364701P	Control Panel Harness	Non-CE and non-Australian models starting July 2005
	70364801P	Control Panel Harness Assembly	CE and Australian models starting July 2005

N/A = Part no longer available

DMP Control

C and I Models with DO, DV and DX Control Suffixes



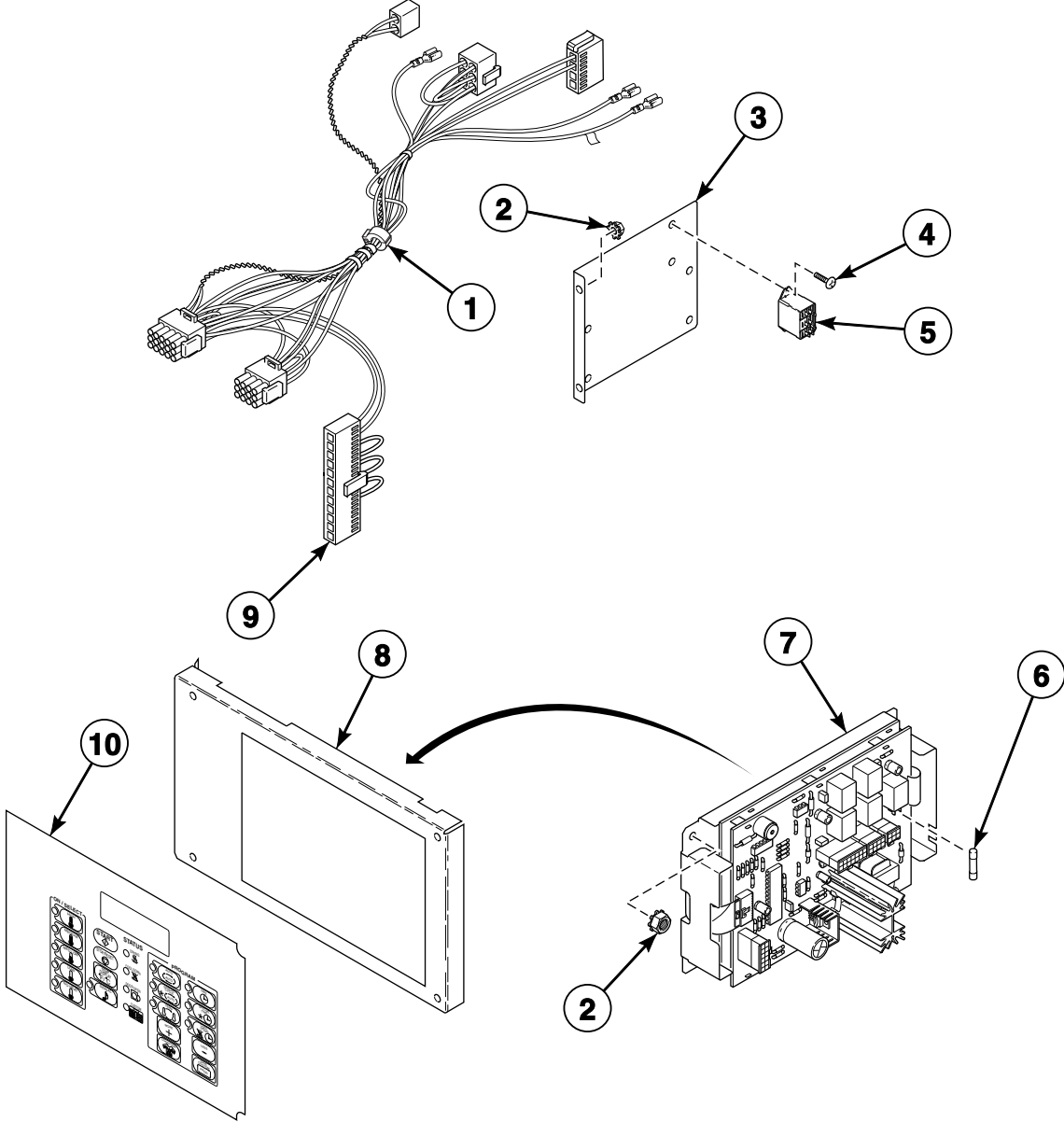
TMB2686P_70275601

DMP Control

REF	PART NO.	DESCRIPTION	COMMENTS
	70271401	Control Panel Harness	CE and Australian models; Coin
	70271501	Control Panel Harness	CE and Australian models; OPL
	44042701	Jumper Set Assembly	Coin
	44042801	Jumper Set Assembly	OPL; Models with buzzer
1	44039402P	Membrane Switch	Coin
2	44041001	Control Plate Assembly	Coin; Includes studs
3	29787	Nut	
4	44037801P	Electronic Control	
5	44039701P	Coin Drop Assembly	United States; \$.25
	44039702	Coin Drop Assembly	Mexico; 2 peso
	44039703	Coin Drop Assembly	Token; .880
	44039704	Coin Drop Assembly	Japan; 100 yen
	44039705	Coin Drop Assembly	England; 20 pence
	44039706	Coin Drop Assembly	Token; .800
	44039707	Coin Drop Assembly	England; 50 pence
6	44041701	Relay/Buzzer Bracket	
7	70054	Nut	
8	M412534	Relay	
9	M402797	Screw	
10	00177	Male Tab Terminal	
11	505447	Adjustable Buzzer	
12	44040901	Control Plate Assembly	OPL; Includes studs
13	44037901P	Membrane Switch	OPL

OPL Microprocessor Controls

A, H, L, P, S, U and YU Models with OM Control Suffix



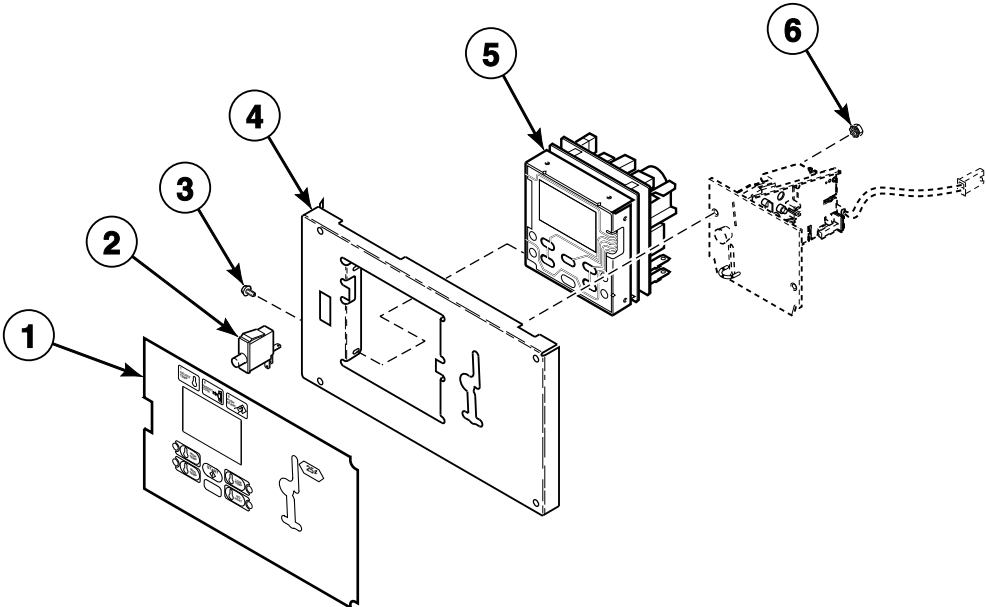
TMB2683P_70275601

OPL Microprocessor Controls

REF	PART NO.	DESCRIPTION	COMMENTS
	M4689P3	Electronic OPL Control Kit	A, HT, LT, PT, ST and UT models; Dual secondary transformers (M414228 Transformer for 100-240 VAC and M414229 Transformer for 380-480 VAC) must be used with this kit; Does not include overlay or harness
	M4695P3	Electronic OPL Control Kit	HA, HU, LU, PA, PU, SA, SU, UA, UU and YU models
	70084303	Jumper Calibration Assembly	25 and 30 pound models
	70084301	Jumper Calibration Assembly	35 pound models
1	M413930P	Ferrite Core Assembly	
2	70054	Nut	
3	70063501	Mounting Bracket	Used with 70382701P Control Panel Harness
4	M402797	Screw	2 required
5	M412534	Relay	
6	70406501	Fuse	1.25 Amp
7	70228401P	Control Kit	
8	70175805	Control Plate Assembly	A, HT, LT, PT, ST and UT models; Includes studs
	70175806	Control Plate Assembly	All other models; Includes studs
9	70082801P	Control Panel Harness Assembly	A, HT, LT, PT, ST and UT models
	70082901	Control Panel Harness Assembly	HA, HU, LU, PA, PU, SA, SU, UA, UU and YU models
10	70115801	Overlay	A, L, P, S, U and Y models; Icon and Text
	70130401	Overlay	A, L, P, S, U and Y models; Icon
	70128701	Overlay	H models; Text
	70130601	Overlay	H models; Icon

Electronic Coin Drop Components for EDC Models

H, L, P, S and U Models with EC and EX Control Suffixes



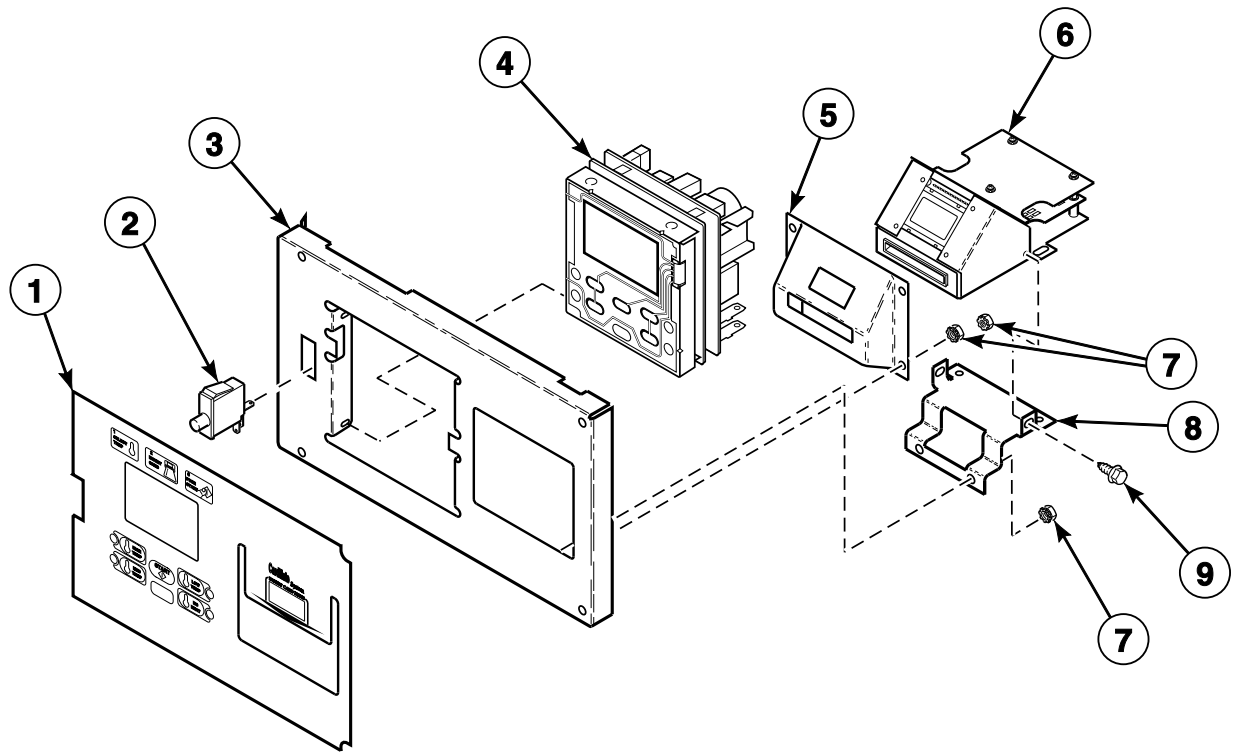
TMB2148P_70275601

Electronic Coin Drop Components for EDC Models

REF	PART NO.	DESCRIPTION	COMMENTS
	M4686P3	Electronic Coin Control Kit	HA, HT, LT, PA, PT, SA, ST, UA and UT models; Does not include overlay or harness
	431611	Multiplier Harness Assembly	Dual drop
	70055801P	Control Harness Assembly	HT, LT, PT, ST and UT models; Control panel to main harness
	70082701P	Control Panel Harness Assembly	HA, HU, LU, PA, PU, SA, SU, UA and UU models; Control panel to main harness
	70084201	Jumper Calibration Assembly	25 and 30 pound models
1	70113701	Overlay	S models; English
	70114101	Overlay	H models; English
	70173601	Overlay	H models without coin; Icon
	70128501	Overlay	HU models; English
	70128001	Overlay	S models; Icon
	70130101	Overlay	P models; Icon
	70130801	Overlay	H models; Icon
2	70413301	Pushbutton Switch	
3	501524	Screw	For mounting EDC control
4	70175801	Control Plate Assembly	Includes studs
5	M414049P	Control Kit	
6	70054	Nut	

Card Reader Components for EDC Models

H, L, P, S and U Models with EY Control Suffix



T444PZ3A_70275601

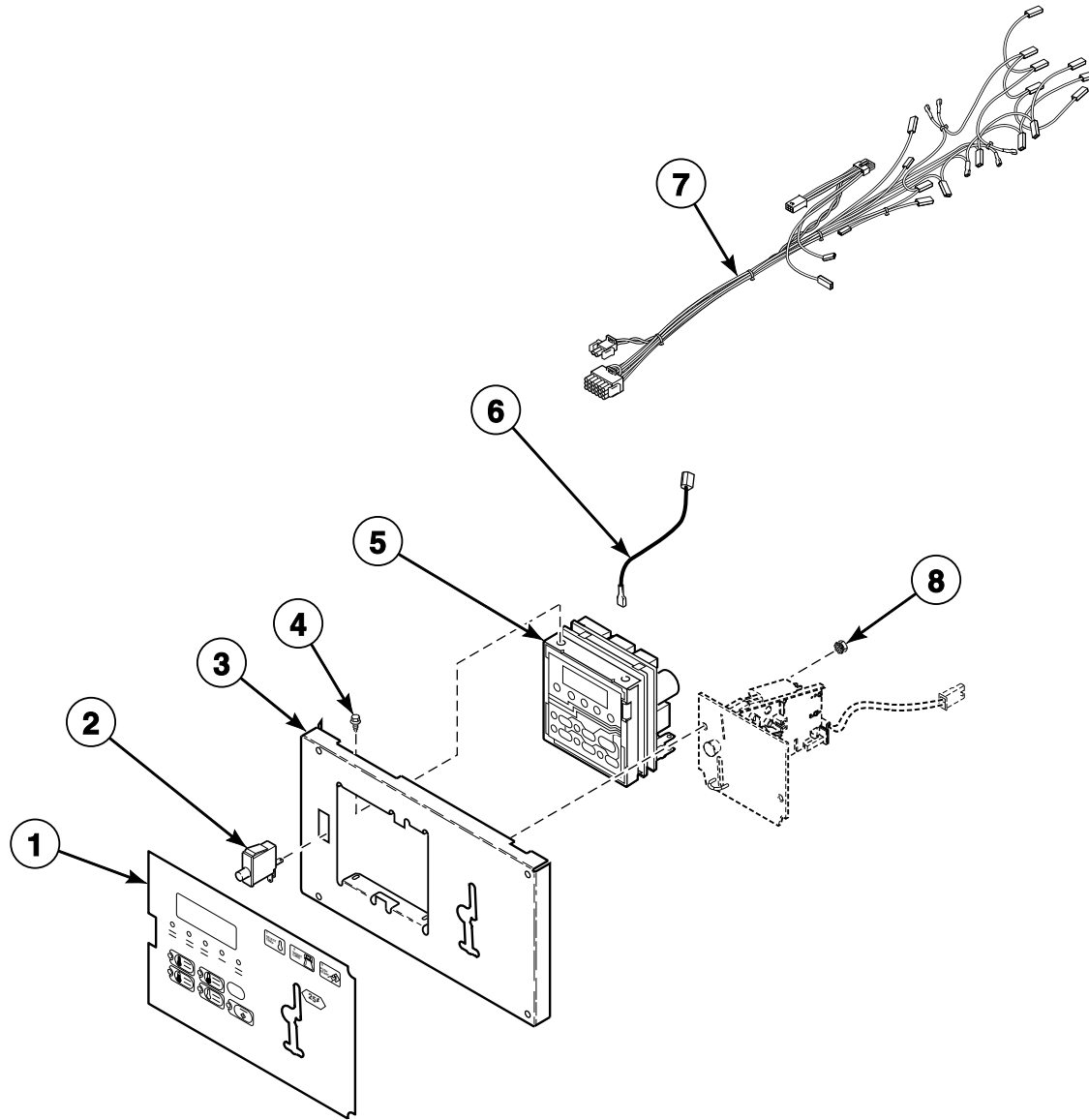
Card Reader Components for EDC Models

REF	PART NO.	DESCRIPTION	COMMENTS
	431613	Card Reader Harness Assembly	
	70055801P	Control Harness Assembly	HA, HT, LT, PA, PT, SA, ST, UA and UT models
	70082701P	Control Panel Harness Assembly	HU, LU, PU, SU and UU models
	70084201	Jumper Calibration Assembly	25 and 30 pound models
1	N/A	Overlay	ST models
	N/A	Overlay	HT models
2	70413301	Pushbutton Switch	
3	70175802	Control Plate Assembly	Includes studs
4	M414049P	Control Kit	
5	N/A	Card Reader Mounting Bracket	
6	39685P	Card Reader	
7	70054	Nut	
8	N/A	Chassis Mounting Bracket	
9	501524	Screw	For mounting electronic control

N/A = Part no longer available

Coin Drop Components for MDC Models

H, L, P, S and U Models with BC and BX Control Suffixes



TMB2117P_70275601

Coin Drop Components for MDC Models

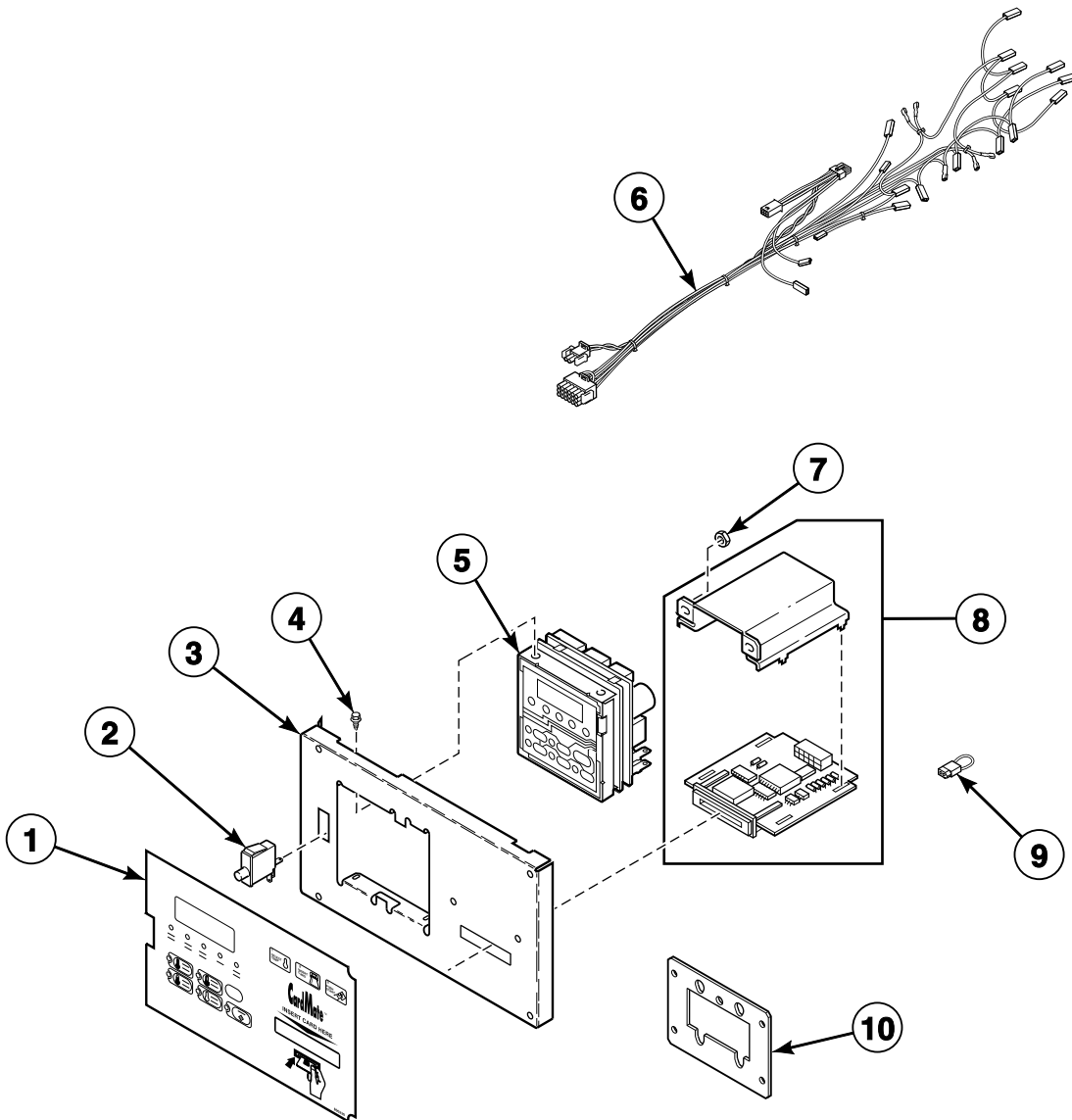
REF	PART NO.	DESCRIPTION	COMMENTS
	70406501	Fuse	Secondary; 1.25 Amp
	39564	Coin Drop Overlay	S models with BL* control suffix; Cover
	70246301	Coin Cover Overlay	H models with BL* control suffix; Cover
	70286701	Overlay	P models with BL* control suffix; Cover
	70321001	Overlay	P models with BC** and BX** control suffixes
	70129501	Overlay	P models with BC** and BX** control suffixes; Single drop
	70129601	Overlay	P models with BC** and BX** control suffixes; Dual drop
	70211701	Jumper Calibration Assembly	25 and 30 pound models
	70211702	Jumper Calibration Assembly	35 pound models
1	70257701	Overlay	L and S models with BC, BL* and BX control suffixes; Text; Single drop
	70261001	Overlay	L and S models with BC, BL* and BX control suffixes; Icon; Single drop
	70257702	Overlay	L and S models with BC and BX control suffixes; Dual drop
	70261002	Overlay	L and S models with BC and BX control suffixes; Dual drop
	70258001	Overlay	H models with BC, BL* and BX control suffixes; Text; Single drop
	70261201	Overlay	H models with BC, BL* and BX control suffixes; Icon; Single drop
	70258002	Overlay	H models with BC and BX control suffixes; Dual drop
	70261202	Overlay	H models with BC and BX control suffixes; Icon; Dual drop
	70259001	Overlay	P models with BL control suffix
2	70413301	Pushbutton Switch	
3	70175807	Control Plate Assembly	
4	501524	Screw	4 required for mounting control
5	511867P	Control Assembly	
6	M412645	Jumper Wire Assembly	Ground wire
7	70206301P	Control Panel Harness Assembly	HT, LT, PT, ST and UT models; Control panel to main harness
	70235801	Control Panel Harness Assembly	HA, HU, LU, PA, PU, SA, SU, UA and UU models; Control panel to main harness
8	70054	Nut	3 required

* NOTE: BL control suffix requires an overlay and overlay cover specific to model.

** NOTE: P models with BC or BX control suffixes require an overlay and coin drop overlay.

Central Pay and Card Reader for MDC Models

H, L, P and S Models with BL, BU and BY Control Suffixes



TMB2184P_70275601

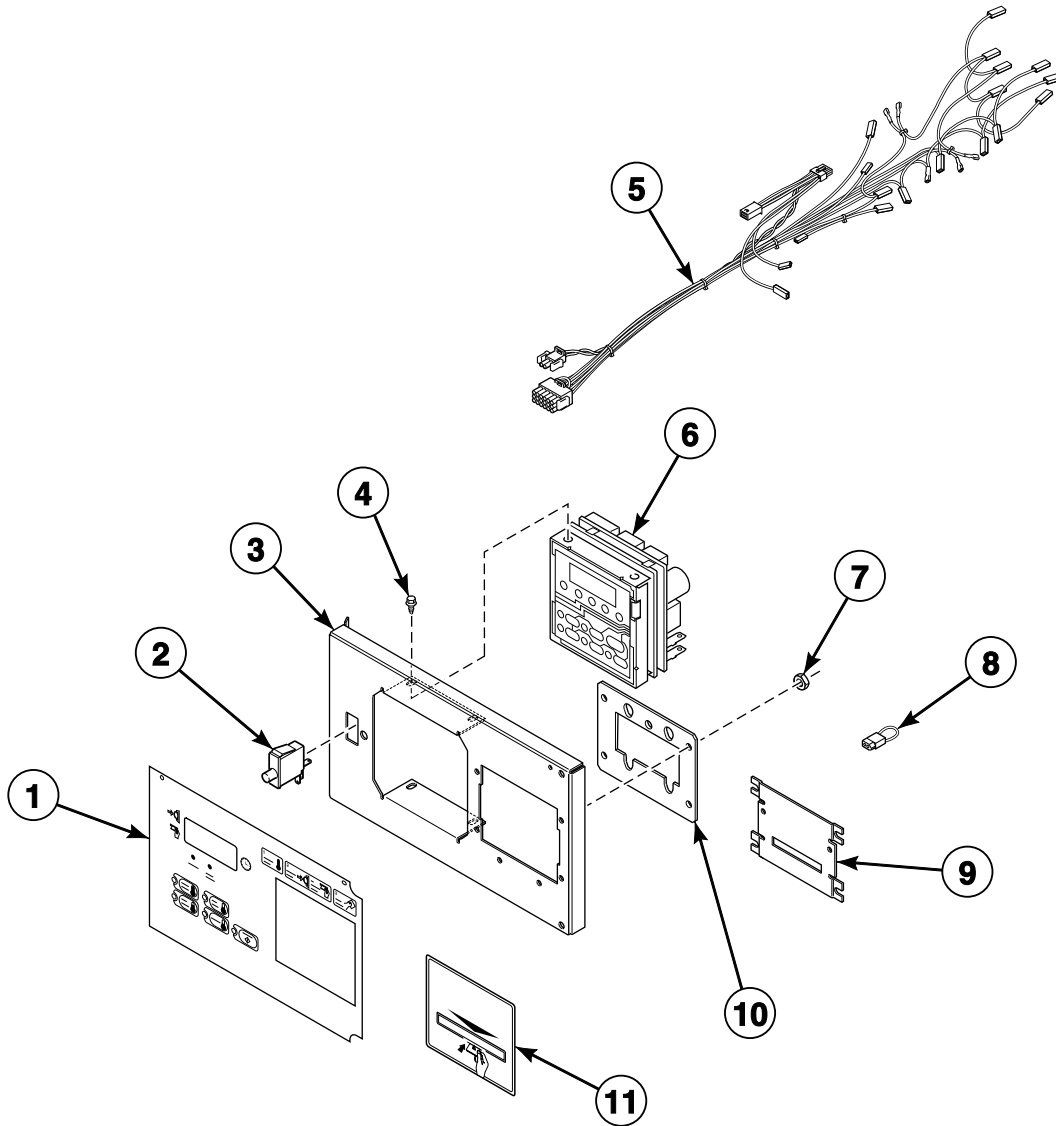
Central Pay and Card Reader for MDC Models

REF	PART NO.	DESCRIPTION	COMMENTS
	70406501	Fuse	Secondary; 1.25 Amp
	70275401	Overlay	H models with BL control suffix; Cover
	70266801	Overlay	H models with BY control suffix; Text; Cover
	70258003	Overlay	H models with BU control suffix; Text; Cover
	70211701	Jumper Calibration Assembly	25 and 30 pound models
	70211702	Jumper Calibration Assembly	35 pound models
1	70266701	Overlay	L and S models with BY control suffix; Text
	N/A	Overlay	L and S models with BY control suffix; Icon
	70257703	Overlay	L and S models with BU control suffix; Text
	70261003	Overlay	L and S models with BU control suffix; Icon
2	70413301	Pushbutton Switch	
3	N/A	Control Plate Assembly	BY control suffix
	70348801	Control Plate Assembly	BU control suffix
	70291001P	Control Plate Kit	BL control suffix
4	501524	Screw	
5	511867P	Control Assembly	
6	70206301P	Control Panel Harness Assembly	HA, HT, LT, PA, PT, SA and ST models
	70235801	Control Panel Harness Assembly	HU, LU, PU and SU models
7	70054	Nut	
8	510068P	Card Reader and Bracket Assembly	
9	70084001	Jumper Bypass Assembly	
10	70208801	Mounting Plate	BU control suffix

N/A = Part no longer available

BY Control Option for MDC Models

H, L, P and S Models

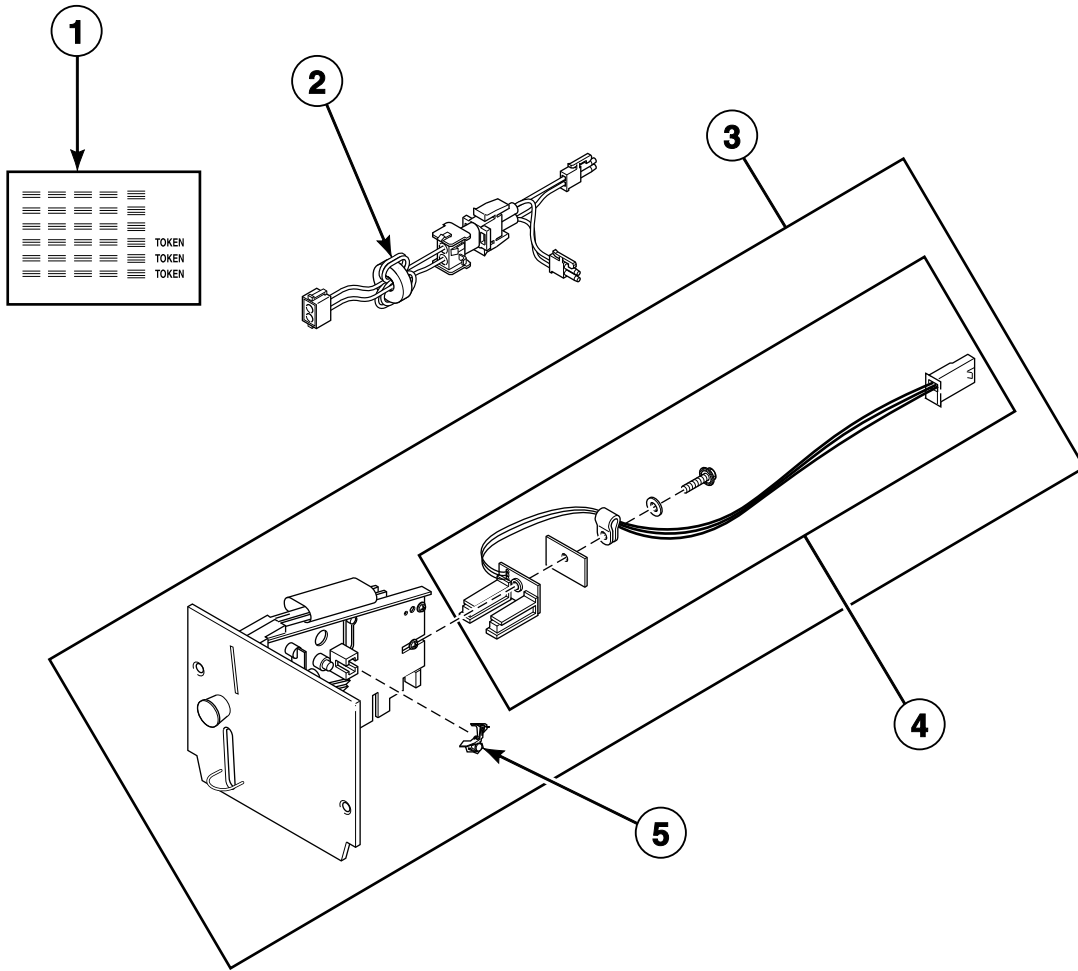


TMB2182P_70275601

BY Control Option for MDC Models

REF	PART NO.	DESCRIPTION	COMMENTS
	70406501	Fuse	Secondary; 1.25 Amp
	70211701	Jumper Calibration Assembly	25 and 30 pound models
	70211702	Jumper Calibration Assembly	35 pound models
1	70257703	Overlay	S models; Text or icon
	70258003	Overlay	H models; Text or icon
2	70413301	Pushbutton Switch	
3	70348801	Control Plate Assembly	
4	501524	Screw	4 required
5	70206301P	Control Panel Harness Assembly	HA, HT, LT, PA, PT, SA and ST models
	70235801	Control Panel Harness Assembly	HU, LU, PU and SU models
6	511867P	Control Assembly	
7	70054	Nut	
8	70084001	Jumper Bypass Assembly	
9	44089501	Slot Card Plate Assembly	Included in literature packet
10	70208801	Mounting Plate	
11	70334201	Card Reader Overlay	Black; Included in literature packet
	70334301	Card Reader Overlay	Gray; Included in literature packet

Coin Drops



TMB2921P_70275601

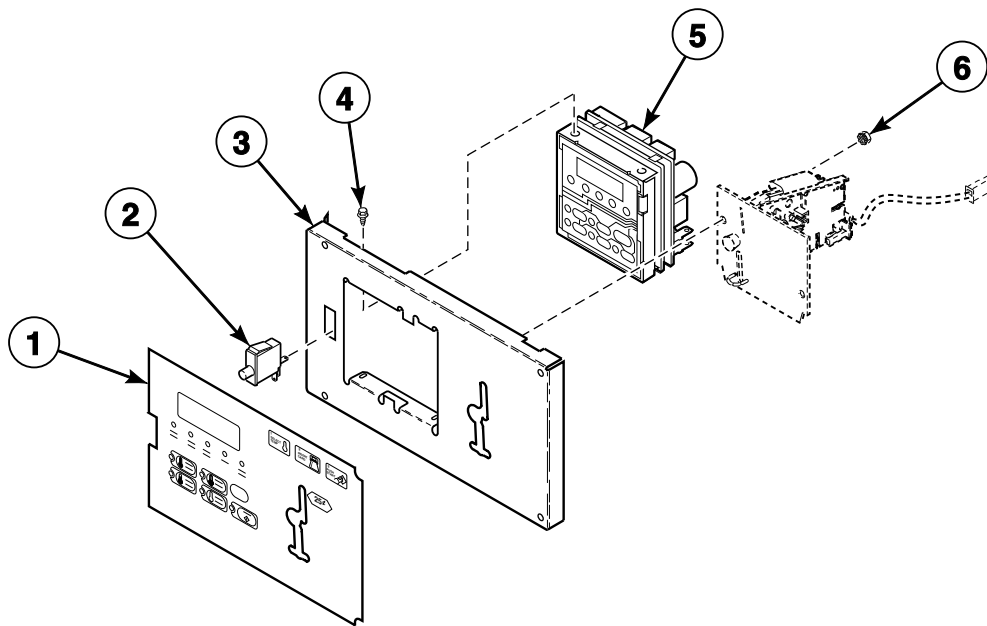
Coin Drops

REF	PART NO.	DESCRIPTION	COMMENTS
	CK502	Electronic Coin Drop Kit	Includes 44065801 Electronic Coin Drop Harness and wiring diagram supplement
	CK115	Electronic Coin Drop Kit	United States and Canada; Also order CK502 Electronic Coin Drop Kit
	CK113	Electronic Coin Drop Kit	Japan and Taiwan; Also order CK502 Electronic Coin Drop Kit
	CK099	Electronic Coin Drop Kit	Australia (default), New Zealand, Hong Kong, South Korea and Malaysia; Also order CK502 Electronic Coin Drop Kit
	CK100	Electronic Coin Drop Kit	United Kingdom (default) and Europe; Also order CK502 Electronic Coin Drop Kit
	CK101	Electronic Coin Drop Kit	Europe (default), Denmark and Norway; Also order CK502 Electronic Coin Drop Kit
	CK103	Electronic Coin Drop Kit	Lithuania (default), Latvia and Europe; Also order CK502 Electronic Coin Drop Kit
	CK108	Electronic Coin Drop Kit	South Africa; Also order CK502 Electronic Coin Drop Kit
	CK109	Electronic Coin Drop Kit	Euro; Also order CK502 Electronic Coin Drop Kit
	CK116	Electronic Coin Drop Kit	Malaysia (default), China and Singapore; In addition to this kit, order CK502 Electronic Coin Drop Kit
	CK117	Electronic Coin Drop Kit	Russia
	CK118	Electronic Coin Drop Kit	Philippine
1	38725	Coin Identification Paper	
2	44065801	Electronic Coin Drop Harness	Included in CK502
3	70294103P	Electronic Coin Drop Assembly	United Kingdom (default) and Europe
	70294104	Electronic Coin Drop Assembly	Europe (default), Denmark and Norway
	70294105P	Electronic Coin Drop Assembly	Australian (default), New Zealand, Hong Kong, South Korea and Malaysia
	70294106	Electronic Coin Drop Assembly	Mexico (default), Ecuador and United States
	70294107	Electronic Coin Drop Assembly	Lithuania (default), Latvia and Europe
	70294116	Electronic Coin Drop Assembly	Malaysia (default), China, Russia and Singapore
	70294110	Electronic Coin Drop Assembly	South Africa
	70441601P	Coin Drop	USA; \$.25
	38475	Coin Drop Assembly	Japan; 100 yen
	38519	Coin Drop Assembly	Japan; 100 and 500 yen
	38467	Coin Drop Assembly	Australia; .20 and 1.00
	39748	Coin Drop	Token; Jeton
	210195	Coin Drop Assembly	Euro; .20 and 1.00
	70283102	Coin Drop Assembly	Europe; .20 euro and .50 euro
	210196	Coin Drop Assembly	Euro; .50 and 1.00
	70256402P	Coin Drop	USA; Dual; \$.25 and \$1.00
	38462P	Coin Drop Assembly	Token; STD-118-1
	38463	Coin Drop Assembly	Token, STD-118-5
	38464P	Coin Drop Assembly	Canada; .25
	70441602	Coin Drop Assembly	Canada; .25 and 1.00
	38472	Coin Drop Assembly	England; 20 pence and 1 pound
	N/A	Coin Drop Assembly	Denmark; 1 and 5 DKK; May replace with 70294104 Electronic Coin Drop Assembly
	38521	Coin Drop Assembly	Korea; 100 and 500 won
	N/A	Coin Drop Assembly	New Zealand; .20 and 100
	38963P	Coin Drop	Token; STD-118-16
	N/A	Coin Drop Assembly	Taiwan; Dual; 5 and 10 NT; May replace with 70294101 Electronic Coin Drop Assembly
	39157	Coin Drop Assembly	Israel; Shekel
	CK077	Coin Drop Kit	Taiwan; 10 NT
4	200674P	Opto Coupler	
5	201595P	Wire Guard	

N/A = Part no longer available

Coin Drop Components for NetMaster Models

HA, HT, SA and ST Models with NC, NX, ZC and ZX Control Suffixes



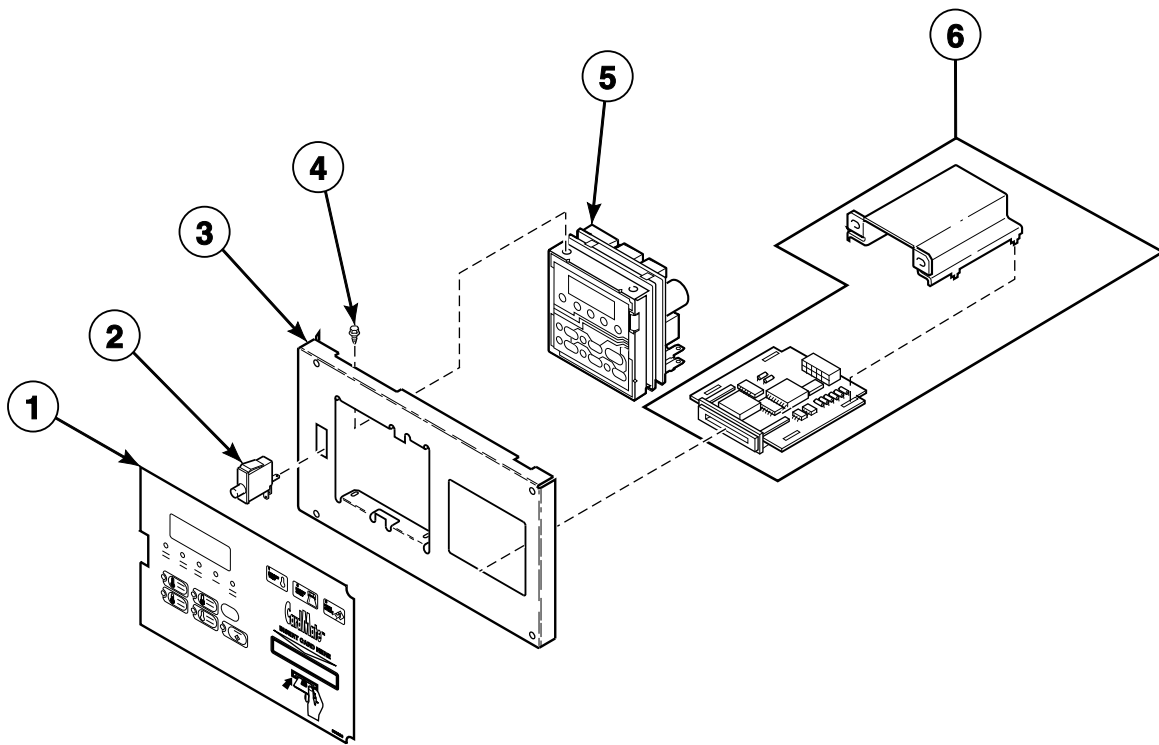
TMB2149P_70275601

Coin Drop Components for NetMaster Models

REF	PART NO.	DESCRIPTION	COMMENTS
	70406501	Fuse	Secondary; 1.25 Amp
	70211701	Jumper Calibration Assembly	25 and 30 pound models
	70211702	Jumper Calibration Assembly	35 pound models
	70206301P	Control Panel Harness Assembly	HT and ST models
	70235801	Control Panel Harness Assembly	HA and SA models
1	70184301	Overlay	ST models; Single drop
	70184302	Overlay	ST models; Dual drop
	70239601	Overlay	HT models; Single drop
	70239602	Overlay	HT models; Dual drop
2	70413301	Pushbutton Switch	
3	70175807	Control Plate Assembly	
4	501524	Screw	For mounting NetMaster control
5	505905P	Control Kit	
6	70054	Nut	

Card Reader for NetMaster Models

HA, HT, SA and ST Models with NR, NY, ZR and ZY Control Suffixes



TMB369P_70275601

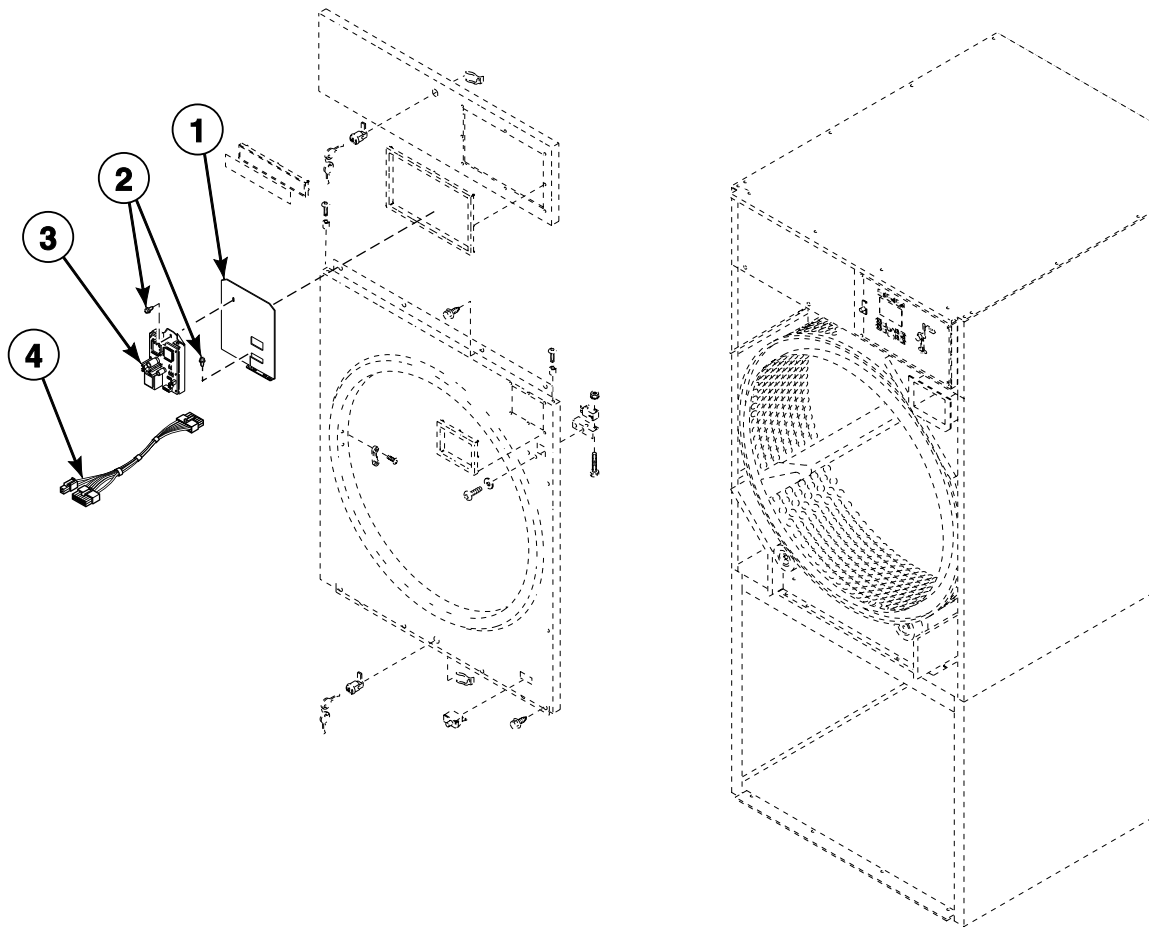
Card Reader for NetMaster Models

REF	PART NO.	DESCRIPTION	COMMENTS
	70406501	Fuse	Secondary; 1.25 Amp
	70208801	Mounting Plate	Use with 70348801 Control Plate Assembly
	70211701	Jumper Calibration Assembly	25 and 30 pound models
	70211702	Jumper Calibration Assembly	35 pound models
	70206301P	Control Panel Harness Assembly	HT and ST models
	70235801	Control Panel Harness Assembly	HA and SA models
	70206601	Card Reader Network Harness Assembly	Card reader or network
	70211801	Card Reader Harness Assembly	
1	N/A	Overlay	ST models; Card reader ready
	70184401	Overlay	ST models; Card reader
	N/A	Overlay	HT models; Card reader
	N/A	Overlay	HT models; Card reader ready
2	70413301	Pushbutton Switch	
3	N/A	Control Plate Assembly	Card reader models
	70348801	Control Plate Assembly	Card ready models
4	501524	Screw	
5	505905P	Control Kit	
6	510068P	Card Reader and Bracket Assembly	

N/A = Part no longer available

Network Board for NetMaster Models

HA, HT SA and ST Models with ZC, ZR, ZX and ZY Control Suffixes



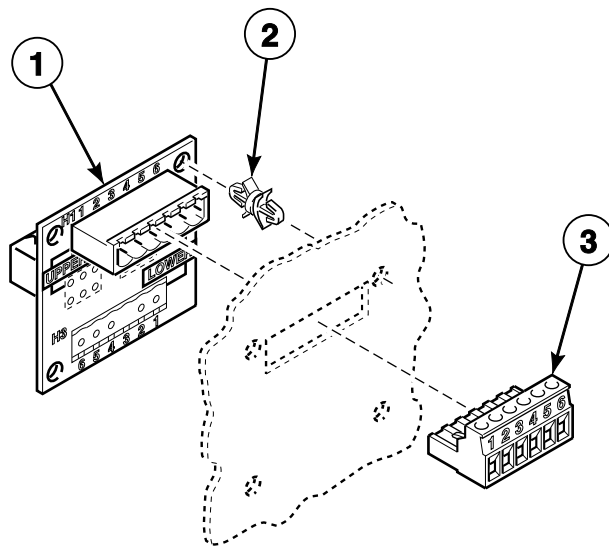
TMB2387P_70275601

Network Board for NetMaster Models

REF	PART NO.	DESCRIPTION	COMMENTS
1	210016P	Network Board Assembly	
2	430497	Screw	
3	70201401	Network Plug Support	
4	800217	Network Wire Harness Assembly	

Communication Board for NetMaster Models

HA, HT, SA and ST Models with ZC, ZR, ZX and ZY Control Suffixes

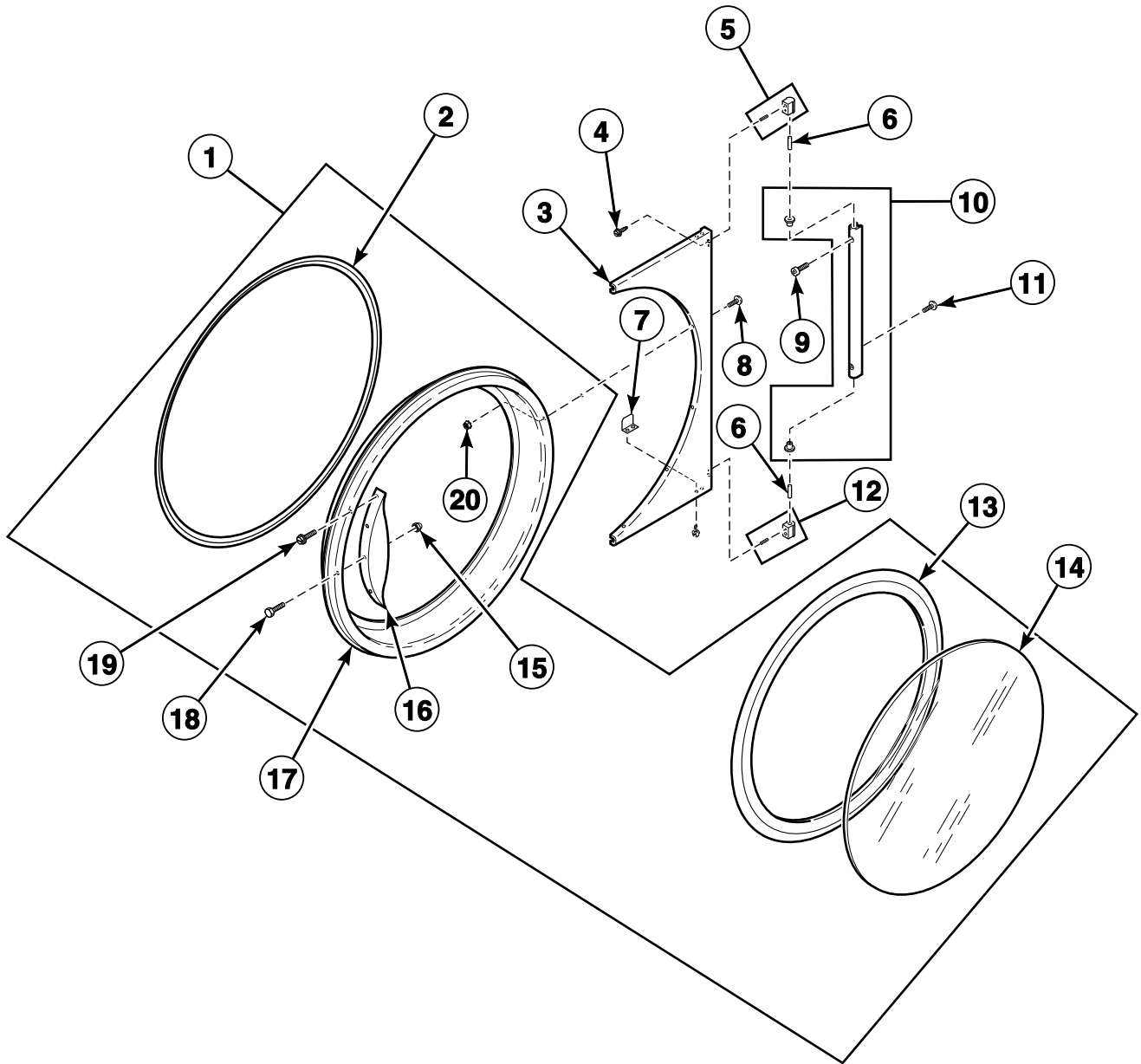


TMB1935P_70275601

Communication Board for NetMaster Models

REF	PART NO.	DESCRIPTION	COMMENTS
	800246	Communication Wire Harness Assembly	
1	210095P	Communication Board	
2	210098	PC Board Standoff	4 required
3	210155	3 Circuit Data Connector	

Door and Hinge Components



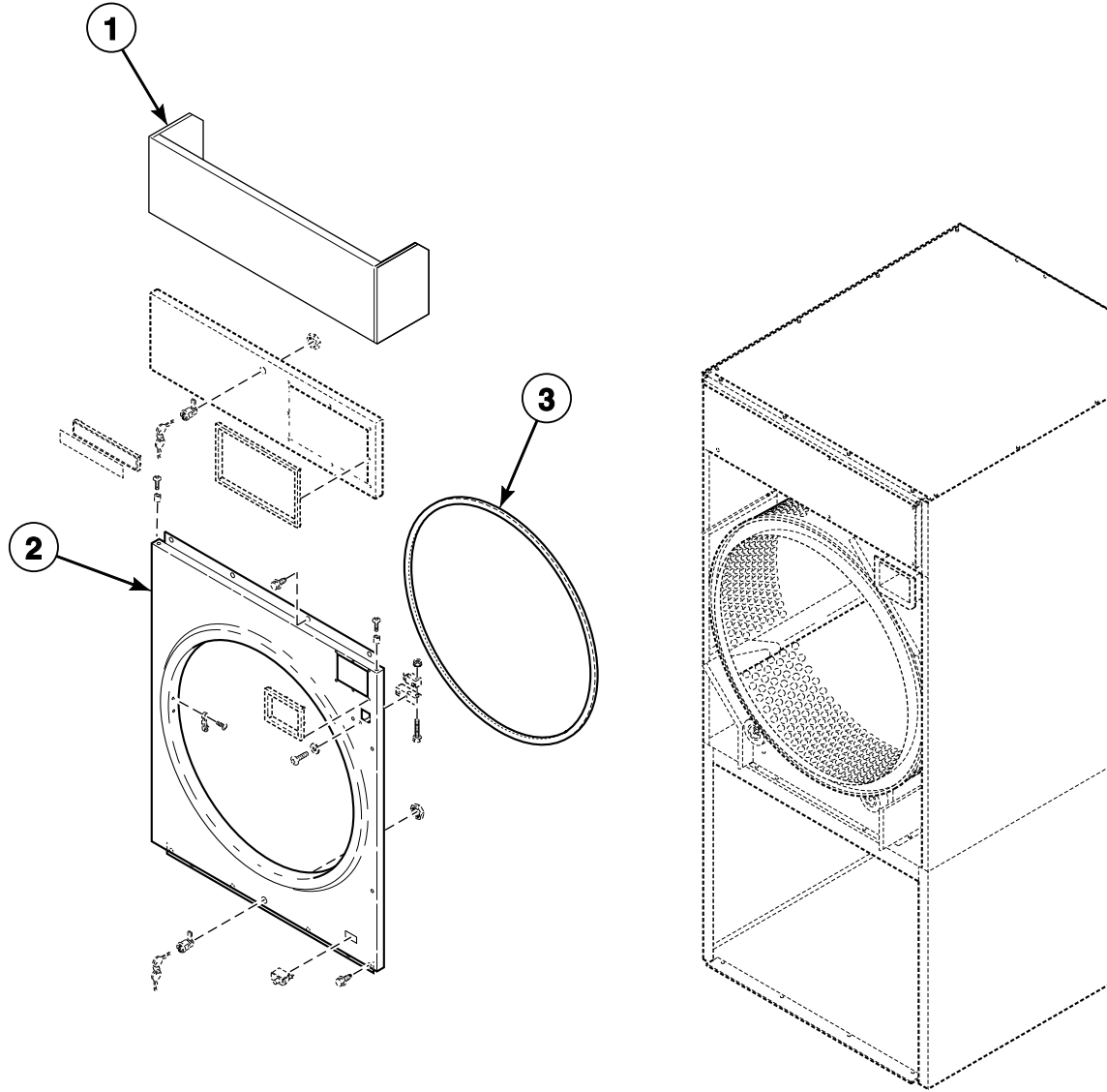
TMB2453P_70275601

Door and Hinge Components

REF	PART NO.	DESCRIPTION	COMMENTS
	70133501P	Replacement Door Handle Kit	H models
	M4221P4	Door Glass Installation Tool	
1	70212300	Door Assembly	A and S models; Excludes hinge
	44058001P	Door Assembly	H models; Excludes hinge
	70176503	Door Assembly	U models; Excludes hinge
	70212200	Door Assembly	P models; Excludes hinge
	44046701	Door Assembly	C, D and I models; Excludes hinge
2	70296801	Door Ring Gasket	
3	70115901*	Door Hinge	35 pound models
	70115902	Door Hinge	35 pound models; Stainless steel
	70116003*	Door Hinge	25 and 30 pound models
	70116004	Door Hinge	25 and 30 pound models; Stainless steel
4	61199	Screw	
5	M4772P3	Cam and Hinge Kit	Upper
6	70071401	Pin	
7	70215001P	Door Switch Actuator Kit	
8	501524	Screw	
9	70033502	Screw	
10	44035001	Door Hinge Lug Assembly	Includes hinge bushings
11	44023301	Screw	C, D and I models
	430757	Screw	All other models
12	M4772P3	Cam and Hinge Kit	Lower
13	70211901P	Door Glass Seal Kit	
14	70133601P	Door Glass	H models
	M400784P	Door Glass	All other models
15	M414215	Nut	A, H, L, P, S, U and Y models; For door strike; Mounts between door strike screw and door handle
16	44007902P	Door Handle	S and U models
	44057701	Door Handle	H models
	430117	Door Handle	L models
	M400133	Door Handle	A, P and Y models
17	44043501	Door Ring and Handle Assembly	C, D and I models; Includes straight-edged door handle
18	430757	Screw	H, S and U models; Use with 70024801 and 44057701 Door Handle
	M409385	Screw	A, P and Y models; Use with 70133501P Replacement Door Handle Kit and M400133 Door Handle
	430756	Screw	L models; Use with 430117 Door Handle
19	44024201	Hole Plug	C, D and I models; 4 required
	M400661	Screw	All other models
20	70054	Nut	

* Add Letter To Designate Color. L - Almond Q - Bisque W - White

Front Panel and False Front Assemblies



TMB2465P_70275601

Front Panel and False Front Assemblies

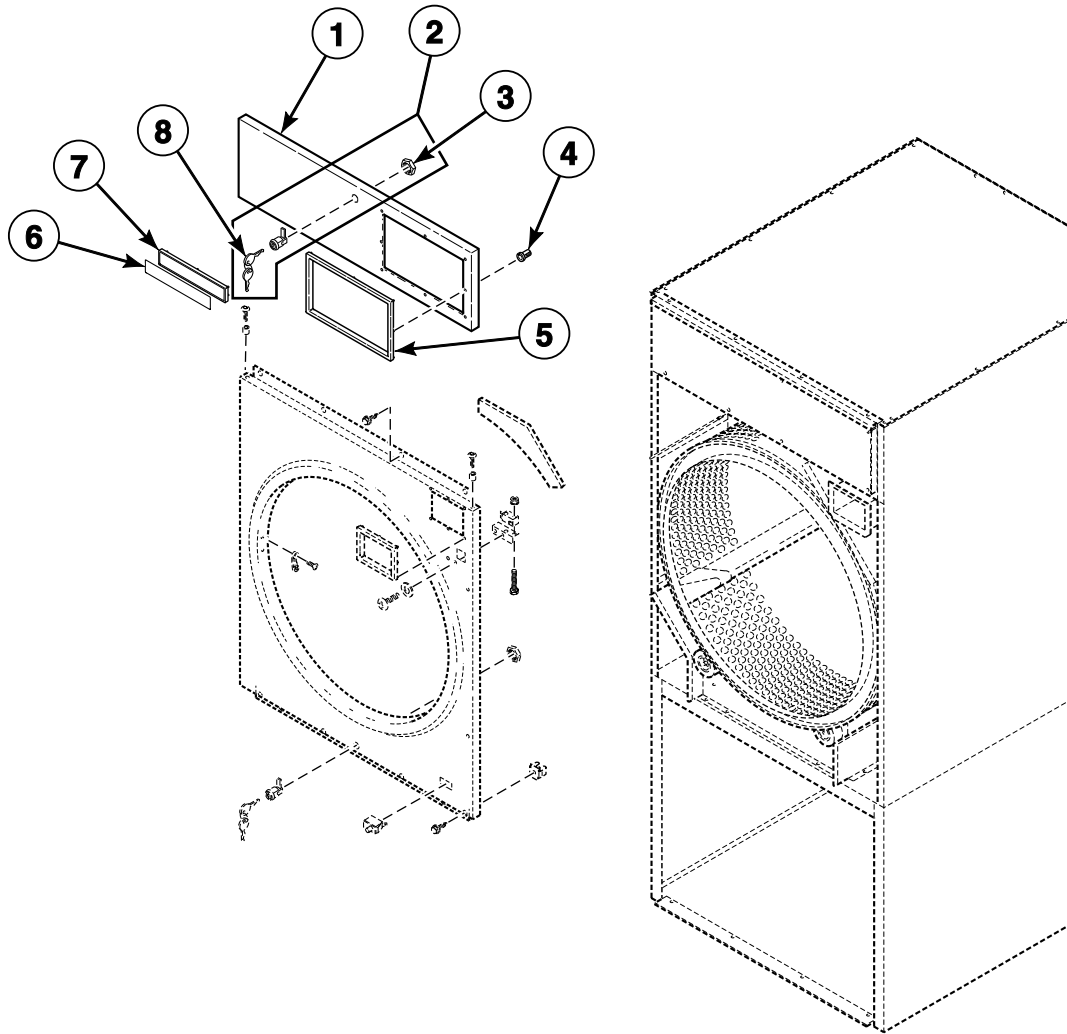
REF	PART NO.	DESCRIPTION	COMMENTS
1	70000501*P	False Front	25 and 30 pound models; 72 inches
	70000502	False Front	25 and 30 pound models; 72 inches; Stainless steel
	70024201*P	False Front Assembly	25 and 30 pound models; 76 inches
	70024202P	False Front	25 and 30 pound models; 76 inches; Stainless steel
	70021101*P	False Front	35 pound models; 72 inches
	70021102P	False Front Assembly	35 pound models; 72 inches; Stainless steel
	70024001*P	False Front Assembly	35 pound models; 76 inches
	70024002P	False Front Assembly	35 pound models; 76 inches; Stainless steel
2	70176201*P	Front Panel Assembly	25 and 30 pound non-CE models with CD, DV and EC control suffixes; Coin
	70176202P	Front Panel Assembly	25 and 30 pound non-CE models with CD, DV and EC control suffixes; Coin; Stainless steel
	70176205LP	Front Panel Assembly	25 and 30 pound non-CE models with DO, MT and OM control suffixes; OPL
	70176206P	Front Panel Assembly	25 and 30 pound non-CE models with DO, MT and OM control suffixes; OPL; Stainless steel
	70176203*P	Front Panel Assembly	25 and 30 pound models with EP control suffix; Card reader
	70176204P	Front Panel Assembly	25 and 30 pound models with EP control suffix; Card reader; Stainless steel
	70176207*P	Front Panel Assembly	25 and 30 pound CE models with CD and EC control suffixes; Coin
	70176208	Front Panel Assembly	25 and 30 pound CE models with CD and EC control suffixes; Coin; Stainless steel
	N/A	Front Panel Assembly	25 and 30 pound CE models with DO, MT and OM control suffixes; OPL
	70176210	Front Panel Assembly	25 and 30 pound CE models with DO, MT and OM control suffixes; OPL; Stainless steel
	70176301*P	Front Panel Assembly	35 pound non-CE models with CD, DV and EC control suffixes; Coin
	70176302	Front Panel Assembly	35 pound non-CE models with CD, DV and EC control suffixes; Coin; Stainless steel
	70176305*P	Front Panel Assembly	35 pound non-CE models with DO, MT and OM control suffixes; OPL
	70176306	Front Panel Assembly	35 pound non-CE models with DO, MT and OM control suffixes; OPL; Stainless steel
	70176303*	Front Panel Assembly	35 pound models with EP control suffix; Card reader
	70176304	Front Panel Assembly	35 pound models with EP control suffix; Card reader; Stainless steel
	70176307*P	Front Panel Assembly	35 pound CE models with CD and EC control suffixes; Coin
	70176308	Front Panel Assembly	35 pound CE models with CD and EC control suffixes; Coin; Stainless steel
	70176309*	Front Panel Assembly	35 pound CE models with DO, MT and OM control suffixes; OPL
	70176310P	Front Panel Assembly	35 pound CE models with DO, MT and OM control suffixes; OPL; Stainless steel
3	70173401P	Front Panel Seal	

* Add Letter To Designate Color. L - Almond P - Turquoise Q - Bisque W - White

N/A = Part no longer available

NOTE: False fronts are available to raise the height of the tumblers to match the height of existing equipment.

Cabinet Front Components (Drawing 1 of 2)



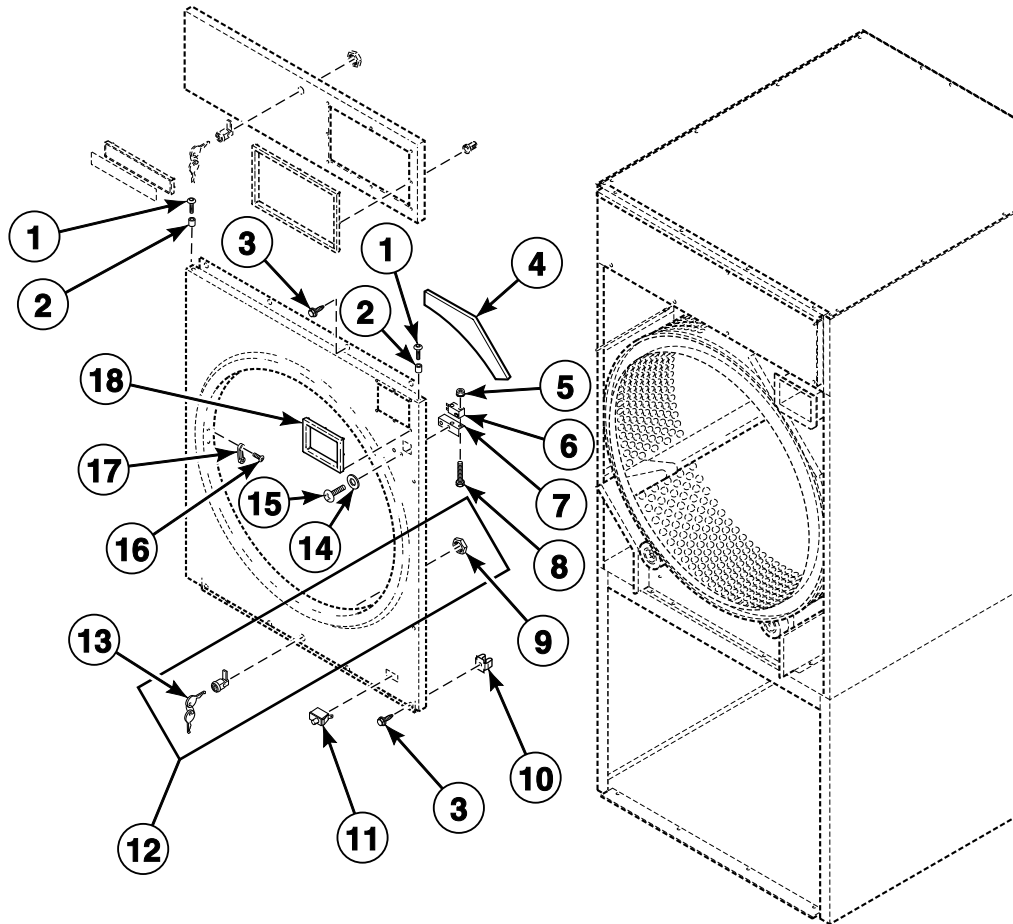
TMB2684P_70275601

Cabinet Front Components (Drawing 1 of 2)

REF	PART NO.	DESCRIPTION	COMMENTS
	70121601*P	Control Panel Kit	25 and 30 pound HT models with flat top
	70121602P	Control Panel Kit	25 and 30 pound HT models with flat top; Stainless steel
	70121401*P	Control Panel Kit	35 pound HT models with flat top
	70121402P	Control Panel Kit	35 pound HT models with flat top; Stainless steel
	44063001	Nameplate	25 pound C models; Capacity label
	44063002	Nameplate	30 pound C models; Capacity label
	44063003	Nameplate	35 pound C models; Capacity label
	44104301	Nameplate	25 pound I models; Capacity label
	44104302	Nameplate	30 pound I models; Capacity label
	44104303	Nameplate	35 pound I models; Capacity label
	44046901	Nameplate	25 pound D models; Capacity label
	44046903	Nameplate	35 pound D models; Capacity label
1	70121501*	Control Panel	25 and 30 pound PT, ST and UT models with flat top
	70121502	Control Panel	25 and 30 pound PT, ST and UT models with flat top; Stainless steel
	70121301*	Control Panel	35 pound ST and UT models with flat top
	70121302	Control Panel	35 pound ST and UT models with flat top; Stainless steel
	70121501B	Control Panel	25 and 30 pound L models; Black
	70121301B	Control Panel	35 pound L models; Black
	70121305*	Control Panel	35 pound H models
	70121306	Control Panel	35 pound H models; Stainless steel
	70273301*	Control Panel	25 and 30 pound C, D and I models; Manual
	70273302	Control Panel	25 and 30 pound C, D and I models; Manual; Stainless steel
	70273303*	Control Panel	25 and 30 pound C, D and I models; Electronic
	70273304	Control Panel	25 and 30 pound C, D and I models; Electronic; Stainless steel
	70273401*	Control Panel	35 pound C, D and I models; Manual
	70273402	Control Panel	35 pound C, D and I models; Manual; Stainless steel
	70273403*	Control Panel	35 pound C, D and I models; Electronic
	70273404	Control Panel	35 pound C, D and I models; Electronic; Stainless steel
2	44089301P	Lock, Key and Nut Kit	RL001; For use on control door only
3	44088801	Nut	
4	M400972	Shadow Box Clip	
5	44016301	Control Trim	H models; Gray
	44016401	Control Trim	A, L, P, S, U and Y models; Black
6	70115601	Nameplate Overlay	S models
	70128301	Nameplate Overlay	U models
	70240801	Nameplate Overlay	A models
	70243901	Nameplate	L models
	44046801	Nameplate	D and I models
	44062901	Nameplate	C models
7	70117401	Nameplate Bezel	L, S and U models; For nameplate
8	70155601	Key	RL001; For use on control door only

* Add Letter To Designate Color. L - Almond P - Turquoise Q - Bisque W - White

Cabinet Front Components (Drawing 2 of 2)



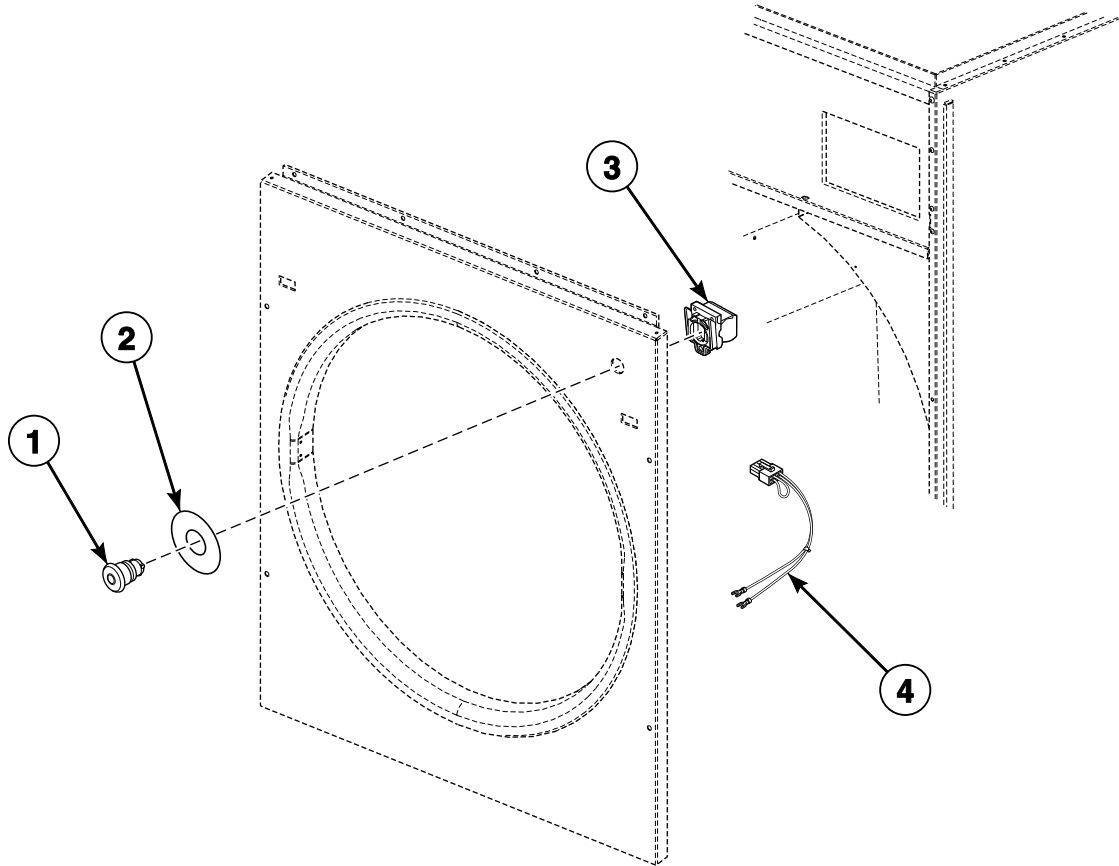
TMB2684PA_70275601

Cabinet Front Components (Drawing 2 of 2)

REF	PART NO.	DESCRIPTION	COMMENTS
1	39733	Screw	
2	56079	Panel Locator	9 required
3	430497	Screw	
4	70155301	Front Panel Insulation	35 pound models
	70155401	Front Panel Insulation	25 and 30 pound models
5	70072901	Nut	HA, HU, SA, SU, UA and UU models
6	70125101	Door Switch	CE models
7	70119301	Door Switch Bracket	CE models
8	M401938	Screw	CE models
9	44088801	Nut	
10	70030501	Expansion Clip	8 required
11	70413301	Pushbutton Switch	
12	44089302P	Lock, Key and Nut Kit	RL002; For use on lint panel or control door
13	70155602	Key	RL002; For use on lint panel or control door
14	F430311	Washer	CE models
15	70132301	Screw	CE models
16	M400003	Pop Rivet	
17	M401223	Door Latch	
18	70117502	Coin Vault Trim	A, S and U models; Black
	70117501	Coin Vault Trim	H models; Gray
	N/A	Coin Vault Trim	P models; White

N/A = Part no longer available

Emergency Stop Button for CE Models

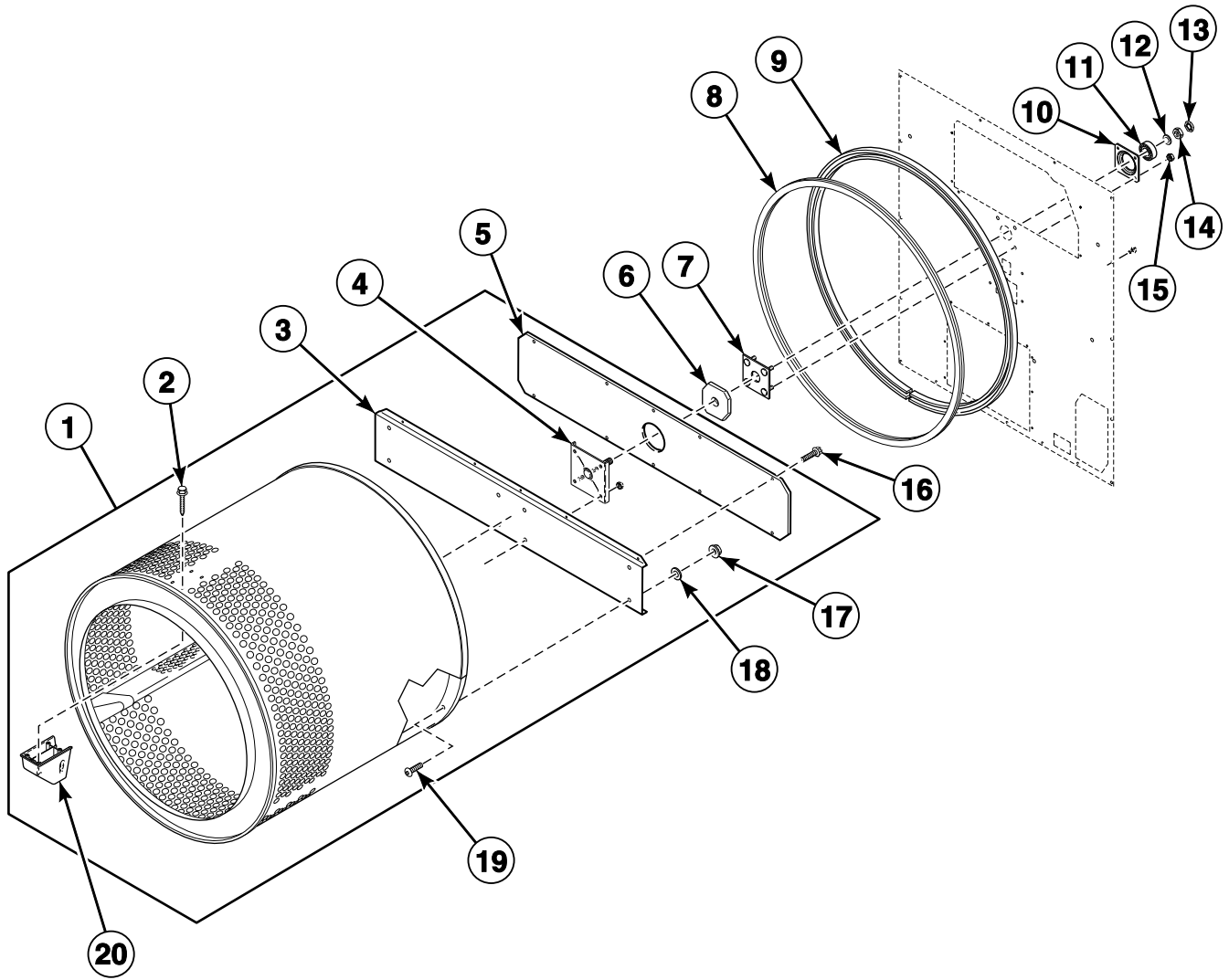


TMB2375P_70275601

Emergency Stop Button for CE Models

REF	PART NO.	DESCRIPTION	COMMENTS
1	44018801	Pushbutton	
2	M412235	Emergency Stop Label	
3	44018701	Contact Block	2 required for models with 3O, 3V and 3X control suffixes
4	70083901	Emergency Stop Switch Harness Assembly	Models with 3O, 3V and 3X control suffixes through July 11, 2005 and all other models
	70364102	Emergency Stop Harness	Models with 3O, 3V and 3X control suffixes starting July 12, 2005

Cylinder Components

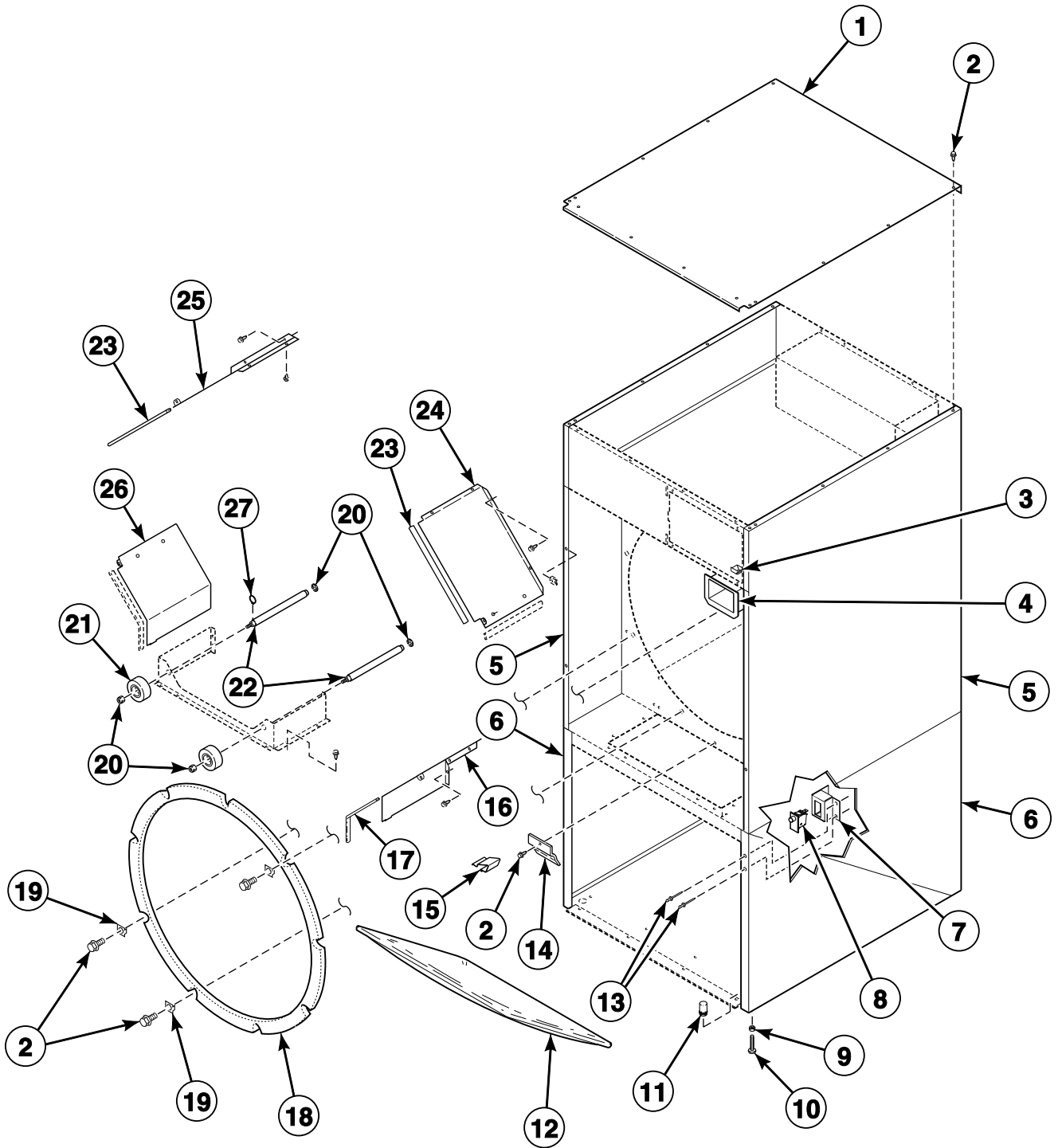


TMB3076P_70275601

Cylinder Components

REF	PART NO.	DESCRIPTION	COMMENTS
	263P4	Cylinder Guide Tool	
	511637P	Adhesive	For item 6
	70066004	Center Cylinder Seal Assembly	25 and 30 pound models
	70066003	Center Cylinder Seal Assembly	35 pound models
	70058501	Pop Rivet	10 required for seal support
	70343101P	Drywall Screw Magnet Kit	
1	70221901P	Cylinder, Trunnion and Seal Kit	25 pound models; Includes 70190601 Cylinder Channel and item 6; Galvanized
	70221902P	Cylinder, Trunnion and Seal Kit	25 pound models; Includes 70190601 Cylinder Channel and item 6; Stainless steel
	70222001P	Cylinder, Trunnion and Seal Kit	30 pound models; Includes 70190601 Cylinder Channel and item 6; Galvanized
	70222002P	Cylinder, Trunnion and Seal Kit	30 pound models; Includes 70190601 Cylinder Channel and item 6; Stainless steel
	70222101P	Cylinder, Trunnion and Seal Kit	35 pound models; Includes 70190701 Cylinder Channel and item 6; Galvanized
	70222102P	Cylinder, Trunnion and Seal Kit	35 pound models; Includes 70190701 Cylinder Channel and item 6; Stainless steel
2	62588	Screw	
3	70257301	Rear Cylinder Channel	25 and 30 pound models
	70257101	Rear Cylinder Channel	35 pound models
4	M4961P3	Trunnion and Seal Kit	25 and 30 pound models; Includes item 8
	M4960P3	Trunnion and Seal Kit	35 pound models; Includes item 8
5	70257401	Rear Cylinder Channel Plate	25 and 30 pound models
	70257201	Rear Cylinder Channel Plate	35 pound models
6	430351	Cylinder Bearing Stud Plate	
7	430352	Cylinder Bearing Stud Plate Assembly	
8	70013702	Rear Cylinder Seal	25 and 30 pound models; 511637P Adhesive required
	70013701P	Rear Cylinder Seal	35 pound models; 511637P Adhesive required
9	70015301	Rear Cylinder Seal Support	25 and 30 pound models
	70017201	Rear Cylinder Seal Support	35 pound models
10	70013901	Rear Cylinder Bearing Housing	
11	70448701	Support Bearing	
12	M400991	Washer	
13	M400034	Nut	
14	M400022	Nut	
15	44087201	Nut	
16	430497	Screw	10 required
17	44087201	Nut	8 required
18	M400080	Washer	
19	70392801	Bolt	8 required
20	70070101	End Cap	

Cabinet Components



TMB2073P_70275601

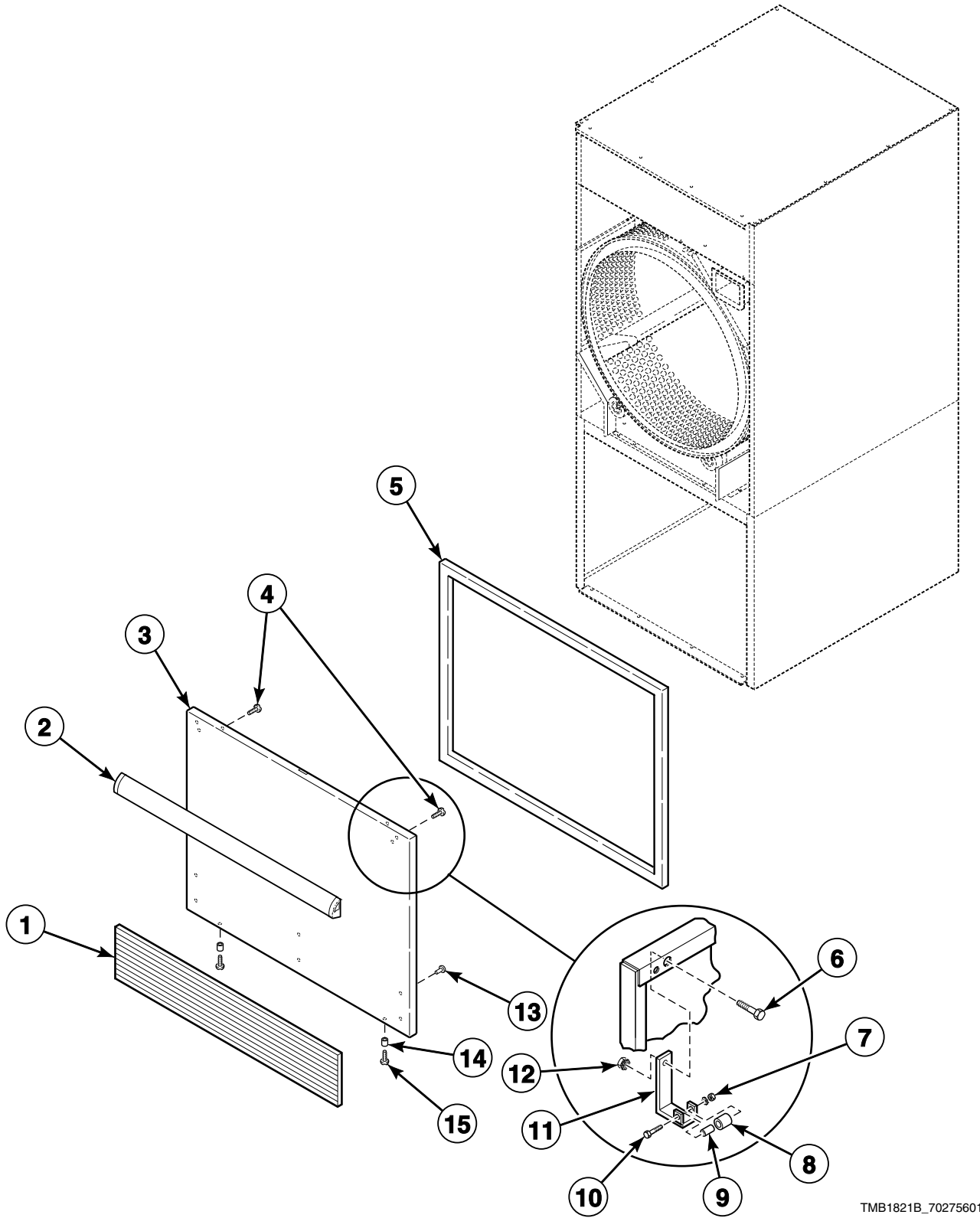
Cabinet Components

REF	PART NO.	DESCRIPTION	COMMENTS
	70277801	Main Interlock Harness	Models with 3O, 3V and 3X control suffixes through July 11, 2005 and all other models
	70083801	Coin Vault Harness Assembly	
	70084001	Jumper Bypass Assembly	
1	70000301	Flat Top	30 pound models; Galvanized
	70018601	Flat Top	35 pound models; Galvanized
	N/A	Flat Top	25 pound models; Galvanized
2	430497	Screw	
3	70296401	Coin Chute Assembly	CD and EC control suffixes
4	70180101	Coin Vault Assembly	CD and EC control suffixes
5	N/A	Side Panel Assembly	25 pound models; Upper
	70021501*P	Side Panel Assembly	30 and 35 pound models; Upper
6	70253901*P	Side Panel	25 pound models; Lower
	70253801*P	Side Panel	30 and 35 pound models; Lower
7	70277301	Lint Panel Switch Bracket	
8	70413301	Pushbutton Switch	
9	21899	Nut	
10	34319	Leveling Leg	
11	70063201	Hole Plug	
12	70290401	Lint Screen	
13	70058501	Pop Rivet	
14	70054501	Lint Screen Clip	25 pound models
15	35865	Hold-Down Clip	30 and 35 pound models
16	70022301	Baffle	25 and 30 pound models; Lower right
	N/A	Partition Baffle	35 pound models; Lower right
17	70015703	Baffle Gasket	10.5 inches
	70015701	Baffle Gasket	11.38 inches
	70015702	Baffle Gasket	8.75 inches
18	70066004	Center Cylinder Seal Assembly	25 and 30 pound models
	70066003	Center Cylinder Seal Assembly	35 pound models
19	70226701	Clip	
20	430576	Nut	
21	70298701P	Roller Bearing Assembly	
22	70017701	Roller Shaft	
23	70015701	Baffle Gasket	Upper baffles 11.38 inches
24	70022001	Partition Baffle	Upper right
25	70022101	Partition Baffle	Upper left
26	N/A	Baffle	25 and 30 pound models; Lower left
	70015201	Partition Baffle	35 pound models; Lower left
27	70023601	Retaining Ring	1 per roller shaft

* Add Letter To Designate Color. Q - Bisque W - White

N/A = Part no longer available

Lower Cabinet Components



TMB1821B_70275601

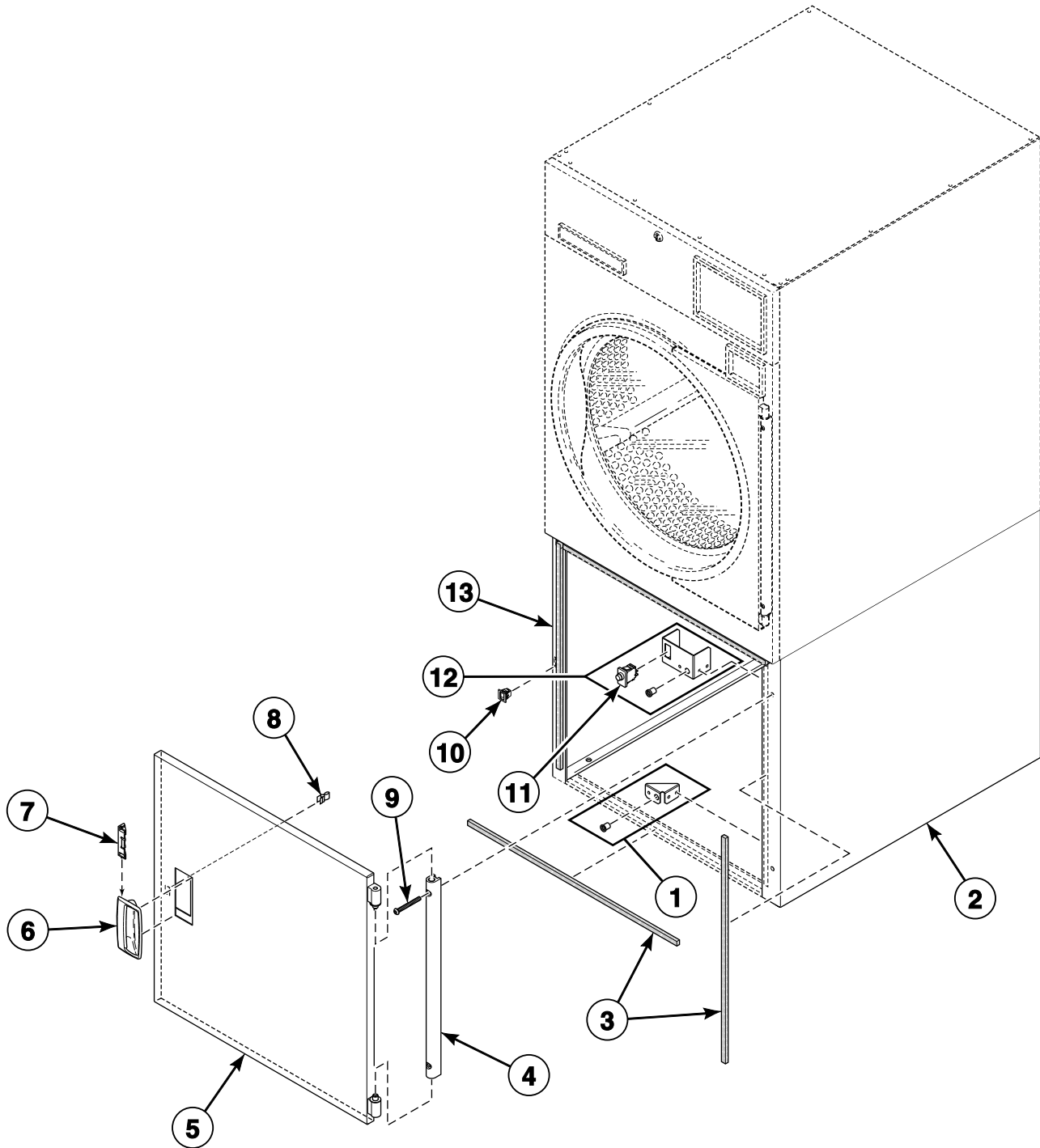
Lower Cabinet Components

REF	PART NO.	DESCRIPTION	COMMENTS
	M4379P4	Tumbler Dolly Kit	
1	70117602	Kickplate	25 and 30 pound H models; Dark gray
	70117601	Kickplate	All other 25 and 30 pound models; Black
	70117604	Kickplate	35 pound H models; Dark gray
	70117603	Kickplate	All other 35 pound models; Black
2	70154401	Handle and Caps Assembly	25 and 30 pound P, S and U models; Black
	70154402	Handle and Caps Assembly	25 and 30 pound H models; Dark gray
	70154403	Handle and Caps Assembly	35 pound A, S and U models; Black
	70154404	Handle and Caps Assembly	35 pound H models; Dark gray
3	70176601*P	Lint Panel Assembly	25 and 30 pound C, P, S and U models with CD, DV, EC and EP control suffixes; Coin; Includes items 2, 8 and 10
	70176602P	Lint Panel Assembly	25 and 30 pound C, P, S and U models with CD, DV, EC and EP control suffixes; Coin; Stainless steel
	70176605*	Lint Panel Assembly	25 and 30 pound H models; Coin; Includes items 2, 8 and 10
	70176705*	Lint Panel Assembly	35 pound H models; Coin
	70176707*	Lint Panel Assembly	35 pound H models; OPL
	70176606	Lint Panel Assembly	25 and 30 pound H models; Coin; Stainless steel
	70176608	Lint Panel Assembly	25 and 30 pound H models; OPL; Stainless steel
	N/A	Lint Panel Assembly	25 and 30 pound models with DO, MT and OM control suffixes
	70176604	Lint Panel Assembly	25 and 30 pound models with DO, MT and OM control suffixes; Stainless steel
	70176701QP	Lint Panel Assembly	35 pound models with CD, DV, EC and EP control suffixes; Coin
	70176702P	Lint Panel Assembly	35 pound models with CD, DV, EC and EP control suffixes; Coin; Stainless steel
	N/A	Lint Panel Assembly	35 pound models with DO, MT, and OM control suffixes; OPL
	70176704	Lint Panel Assembly	35 pound models with DO, MT, and OM control suffixes; OPL; Stainless steel
	4	430757	Screw
5	70289101P	Lint Panel Gasket	Sold per foot
6	70132301	Screw	Attaching roller catch
7	23951	Nut	
8	70297601	Roller Catch Wheel	
9	70030201	Roller Catch Spacer	
10	70072801	Screw	
11	70030301	Roller Catch Arm	
12	51236	Nut	Attaching roller catch
13	70126301	Pop Rivet	For attaching kickplate; Black; 6 required
	70126401	Pop Rivet	For attaching kickplate; Gray; 6 required
14	56079	Panel Locator	
15	39733	Screw	

* Add Letter To Designate Color. L - Almond Q - Bisque W - White

N/A = Part no longer available

Lower Cabinet Components - 25 Pound Models with Hinged Lint Door



TMB1836B_70275601

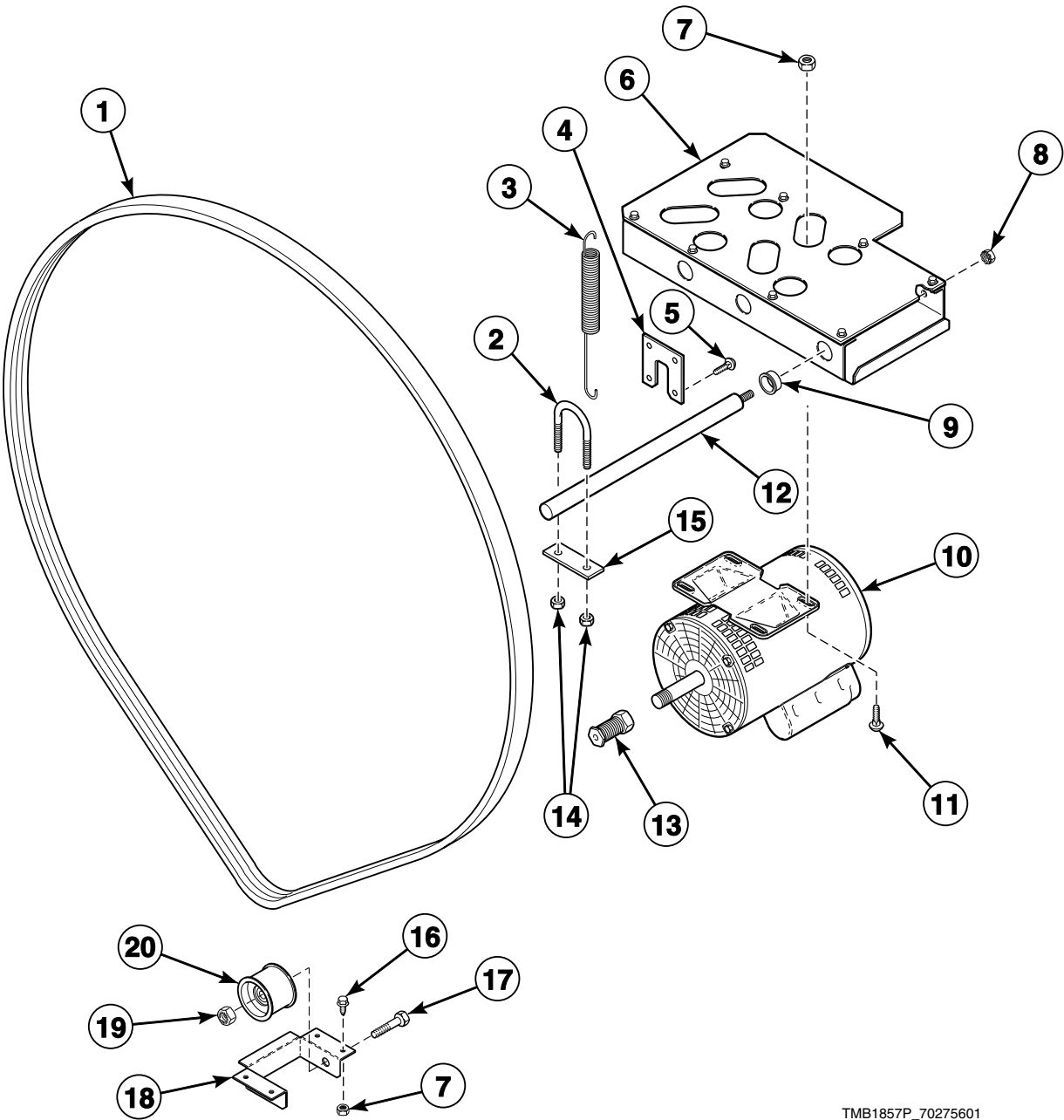
Lower Cabinet Components - 25 Pound Models with Hinged Lint Door

REF	PART NO.	DESCRIPTION	COMMENTS
1	70283801	Support Bracket Assembly	
2	N/A	Panel	Right
3	70247601	Gasket	8 required; Felt
4	44035001	Door Hinge Lug Assembly	
5	70267701*P	Hinged Door	
6	510103*P	Door Pull and Wedge Kit	
7	510129	Door Handle Wedge	
8	510181	Door Strike	
9	70033504	Screw	2 required
10	514113	Door Catch Assembly	
11	70413401	Switch Assembly	
12	70283701	Lint Switch Bracket Assembly	
13	70255801*P	Panel	Left

* Add Letter To Designate Color. Q - Bisque W - White

N/A = Part no longer available

Drive Motor Components



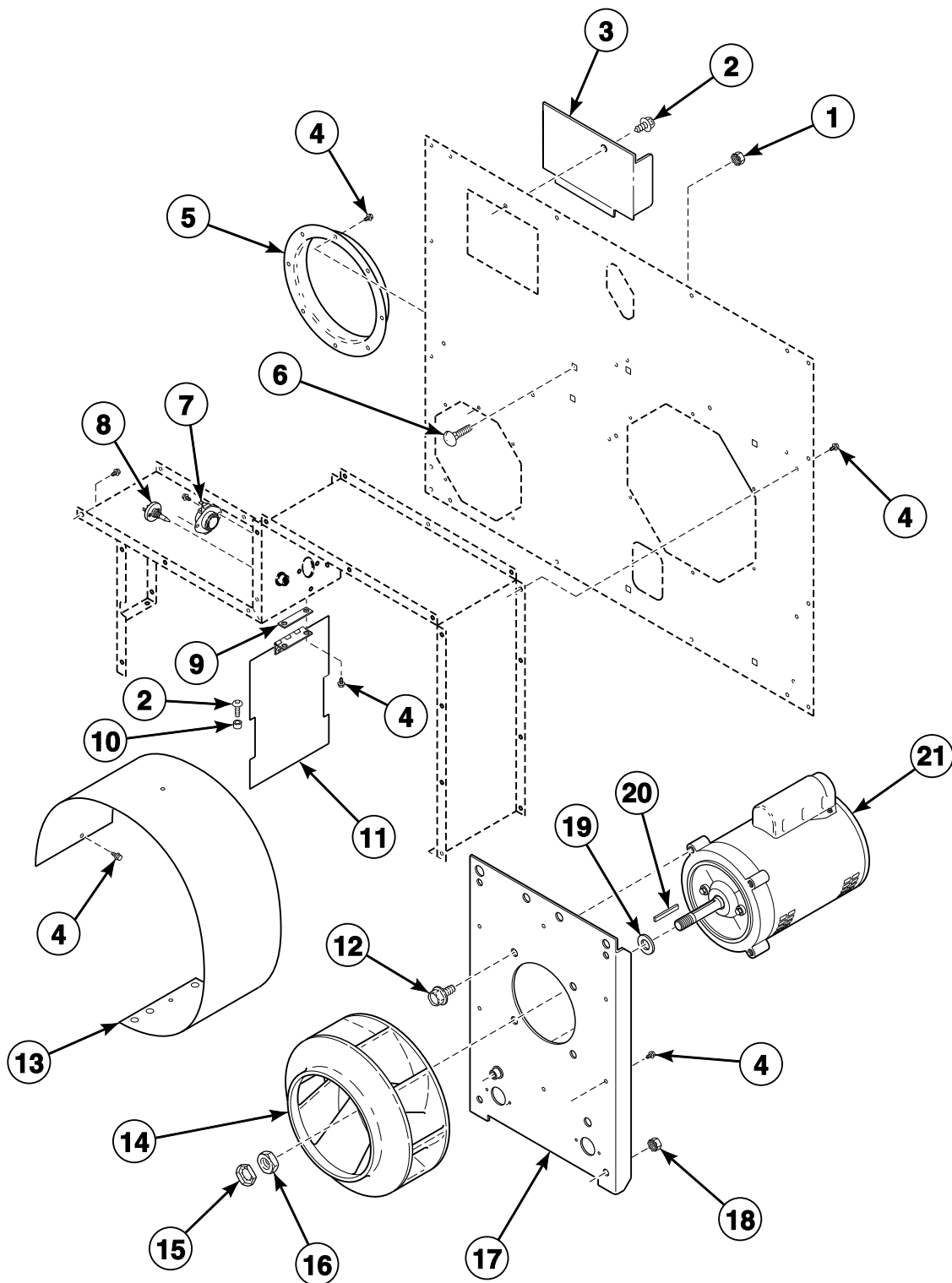
TMB1857P_70275601

Drive Motor Components

REF	PART NO.	DESCRIPTION	COMMENTS
	M4853P3	Belt Tension Tool Kit	
	70053601P	Drive Motor Harness	1 Phase models; 3 Phase electric models with 240 Volt and below
	70083701	Cylinder Motor Harness Assembly	3 Phase models except electric models with 240 Volt and below
1	70276202P	Belt	35 pound models; 102.5 inches
	70276203P	Belt	25 and 30 pound models; 93 inches; Models through 4/4/06
	70276205P	Belt	25 and 30 pound models; 94 inches; Models starting 4/5/06
2	70186101	U-Bolt	
3	70051401	Motor Bracket Spring	
4	70200901	Idler Pivot Bracket	
	70194501	Axial Plate	
5	39733	Screw	
6	N/A	Motor Bracket Assembly	
7	44087201	Nut	
8	70142	Nut	
9	70027701	Bushing	
10	70337801P	Drive Motor	1 Phase gas and steam models with 100 Volt/50 or 60 Hertz and 120 Volt/60 Hertz; 3 Phase electric models with 200-208 Volt; 1 or 3 Phase electric models 200 Volt/50 Hertz and 200-208-240 Volt
	70338101P	Drive Motor	3 Phase gas and steam models with 200 Volt/50 Hertz, 230-240 Volt/50 Hertz and 240 Volt/60 Hertz; 3 Phase gas, steam and electric models with 380 Volt/50 Hertz and 460-480 Volt/60 Hertz; 3 Phase electric models with 400-415 Volt/50 Hertz
	70337901P	Drive Motor Kit	120-240 Volt/60 Hertz/1 Phase; Low Amp
	70338001P	Drive Motor Kit	1 Phase gas, steam and electric models with 230 Volt/50 Hertz; 3 Phase electric models with 230-240 Volt/50 Hertz
11	70062401	Bolt	
12	70187801	Motor Pivot Shaft	
13	70284202	Motor Pulley	25 and 30 pound models; 60 Hertz
	70284201	Motor Pulley	35 pound models; 60 Hertz
	70284204	Motor Pulley	25 and 30 pound models; 50 Hertz
	70284203	Motor Pulley	35 pound models; 50 Hertz
14	29786	Nut	
15	70186601	U-Bolt Plate	
16	M412985	Screw	
17	430648	Screw	
18	70200901	Idler Pivot Bracket	
19	56156	Nut	
20	70050401P	Idler Wheel Assembly	

N/A = Part no longer available

Blower Components

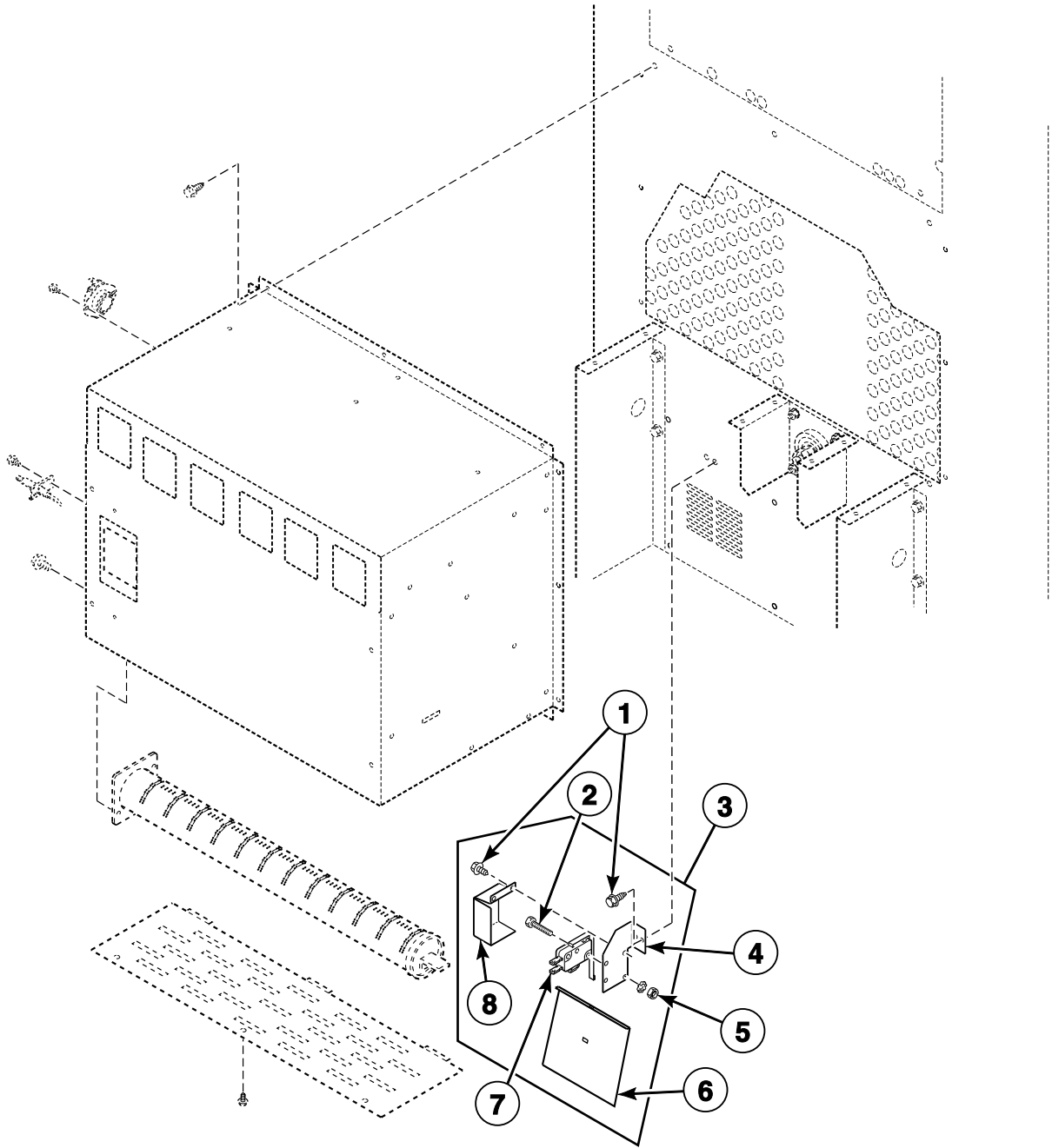


TMB2074P_70275601

Blower Components

REF	PART NO.	DESCRIPTION	COMMENTS
	70299101	Secondary Stove Limit Kit	
	70083401	Fan Motor Harness Assembly	1 Phase models; 3 Phase electric models with 240 Volt or less
	70083501	Fan Motor Harness Assembly	3 Phase electric models with more than 240 Volt
1	44087201	Nut	
2	M411072	Screw	
3	70144601	Drive Access Cover	
4	430497	Screw	
5	70017801	Exhaust Thimble	25 and 30 pound models; 6 inches
	70015601	Exhaust Thimble	35 pound models; 8 inches
6	70062401	Bolt	
7	M411307	Limit Thermostat	Non-Australian models
	M411945	Manual Reset Thermostat	Australian models
8	M414704	Thermistor	
9	70220901	Damper Spacer	
10	56079	Panel Locator	
11	70209501	Damper and Hinge Exhaust Assembly	
12	70126101	Screw	
13	70016301	Blower Housing Scroll	
14	70359801P	Blower Assembly	
15	M400034	Nut	
16	M400022	Nut	
17	70012001	Blower Motor Mounting Plate	
18	56156	Nut	
19	M400991	Washer	
20	70144101	Key	Straight
21	70337501P	Blower Motor	1 Phase gas and steam models with 100 Volt/50 or 60 Hertz and 120 Volt/60 Hertz; 1 or 3 Phase electric models with 200 Volt/50 Hertz and 200-208-240 Volt/60 Hertz
	70342601P	Blower Motor	3 Phase gas and steam models with 200 Volt/50 Hertz, 240 Volt/60 Hertz and 230-240 Volt/50 Hertz; 3 Phase gas, steam and electric models with 380 Volt/50 Hertz and 460-480 Volt/60 Hertz; 3 Phase electric models with 400-415 Volt/50 Hertz
	70337701P	Blower Motor Kit	1 Phase gas, steam and electric models with 230-240 Volt/50 Hertz; 3 Phase electric models with 230-240 Volt/50 Hertz

Airflow Switch

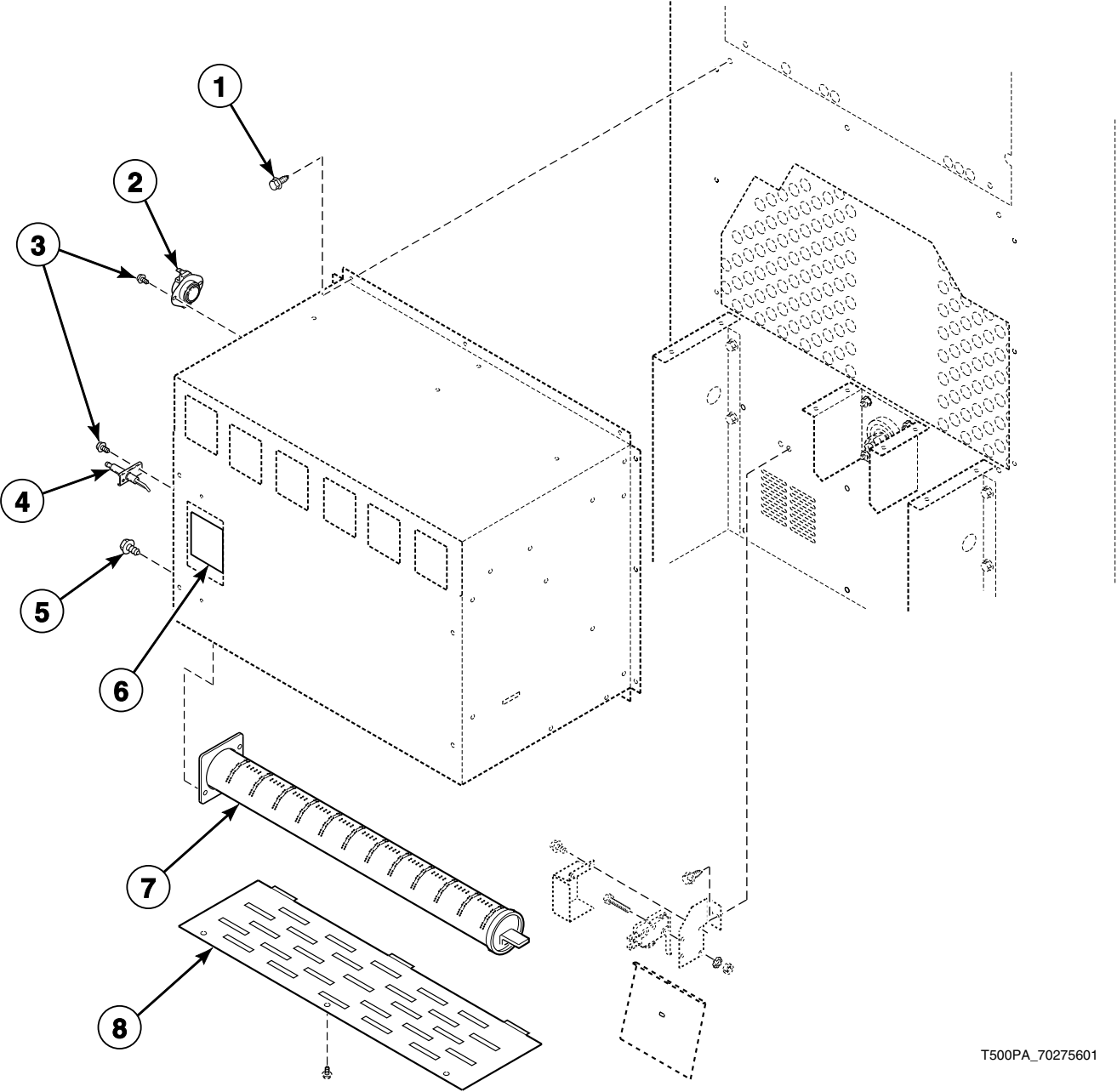


T500P_70275601

Airflow Switch

REF	PART NO.	DESCRIPTION	COMMENTS
1	51780	Screw	
2	M401938	Screw	
3	70270901P	Airflow Switch Kit	
4	70266301	Airflow Switch Bracket	
5	M400979	Nut	
6	70266201	Airflow Switch Vane	
7	70267301	Airflow Switch	
8	70281801	Airflow Switch Cover	

Gas Burner Components

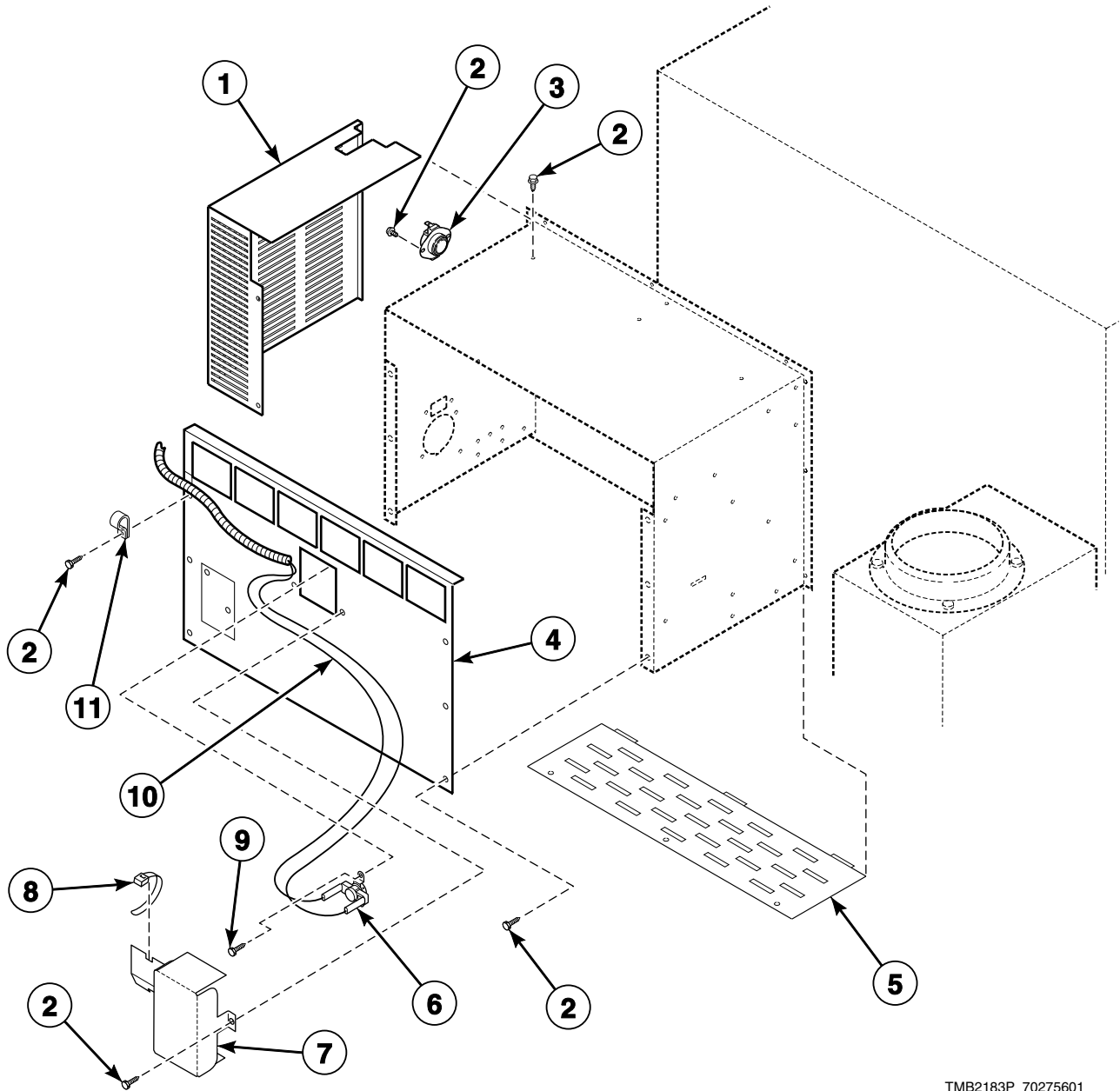


T500PA_70275601

Gas Burner Components

REF	PART NO.	DESCRIPTION	COMMENTS
1	51780	Screw	
2	M410542	Limit Thermostat	25 and 30 pound HT, HU, LT, LU, PT, PU, ST, SU, UT and UU models
	M409219	Limit Thermostat	35 pound AT, HT, HU, LT, LU, PT, PU, ST, SU, UT and UU models
	70186301	Manual Reset Thermostat	35 pound HA, PA, SA and UA models
	M411941	Manual Reset Thermostat	25 and 30 pound HA, PA, SA and UA models
3	430497	Screw	
4	70032801P	Spark Electrode	
5	05161	Screw	
6	70159601	Igniter Cover	
7	70229801P	Gas Burner	
8	70188801	Burner Grill	

Secondary Stove Limit and Gas Burner Housing



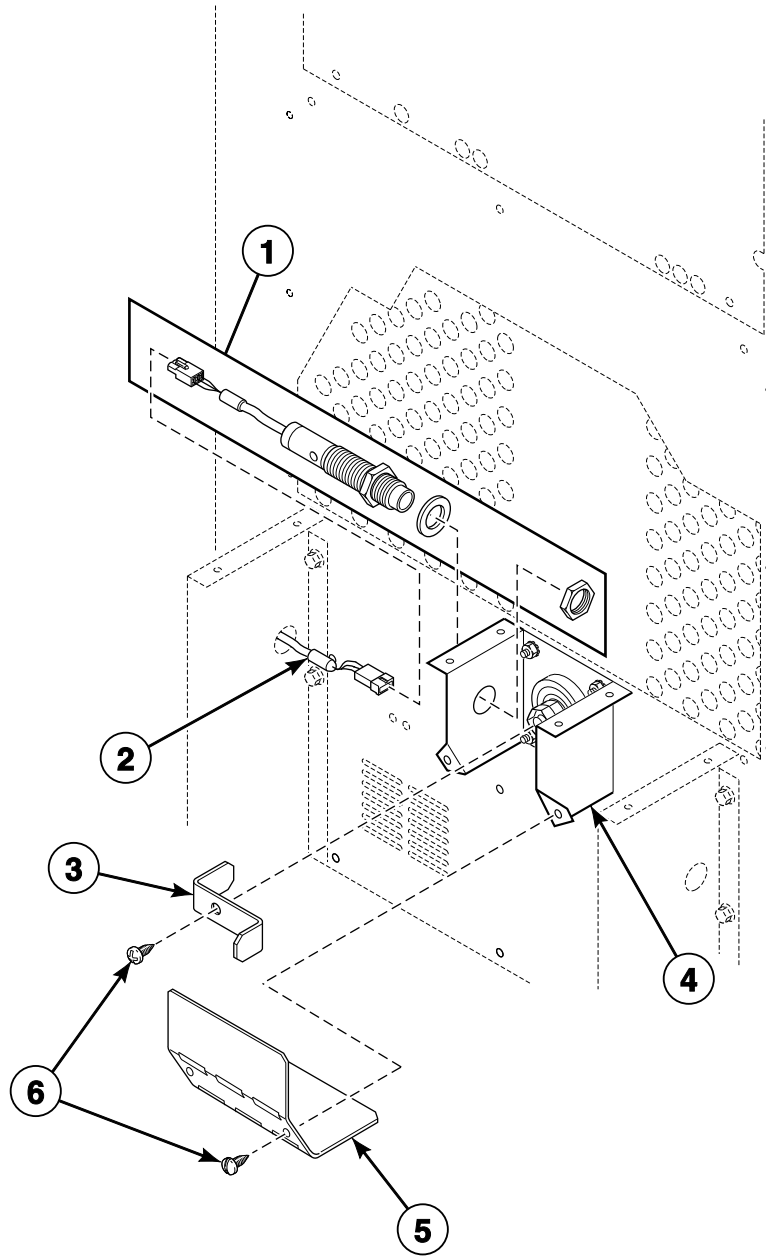
TMB2183P_70275601

Secondary Stove Limit and Gas Burner Housing

REF	PART NO.	DESCRIPTION	COMMENTS
	70299101	Secondary Stove Limit Kit	
1	M4747P3	Valve Bracket and Cover Kit	HU, LU, PU, SU and UU models
2	430497	Screw	
3	70186301	Manual Reset Thermostat	HA, PA, SA and UA models
	M409219	Limit Thermostat	AT, HT, HU, LT, LU, PT, PU, ST, SU, UT, UU and YT models
4	70297401	Stove Back	
5	70188801	Burner Grill	
6	70299001	Limit Thermostat	25 and 30 pound models; Secondary
	510701	Limit Thermostat	35 pound models; Secondary
7	70112801	Thermistor Cover	
8	55881	Harness Strap	
9	M405188	Screw	2 required
10	70297001	Rear Limit Harness	
11	70203701	Pipe Clip	

Rotation Sensor

C, D and I Models

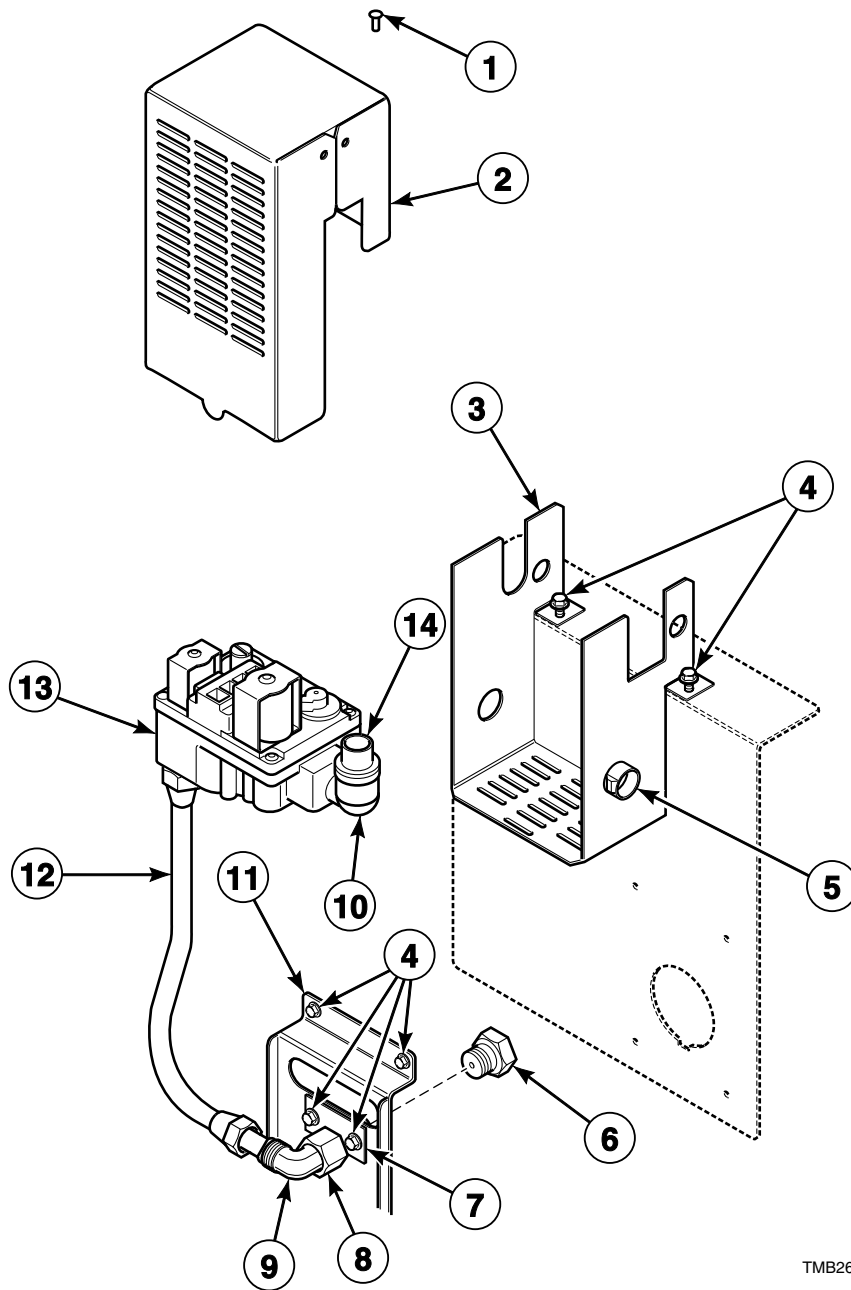


TMB2384P_70275601

Rotation Sensor

REF	PART NO.	DESCRIPTION	COMMENTS
1	7009P	Rotation Sensor Kit	
2	70274101	Rotation Sensor Cable Assembly	With Receptacle
3	44044401	Rotation Sensor Bracket	
4	70021401	Bearing Housing Bracket	
5	44044301	Rotation Sensor Cover	
6	70153301	Screw	

Gas Valve Assembly - Non-CE and Non-Australian Models



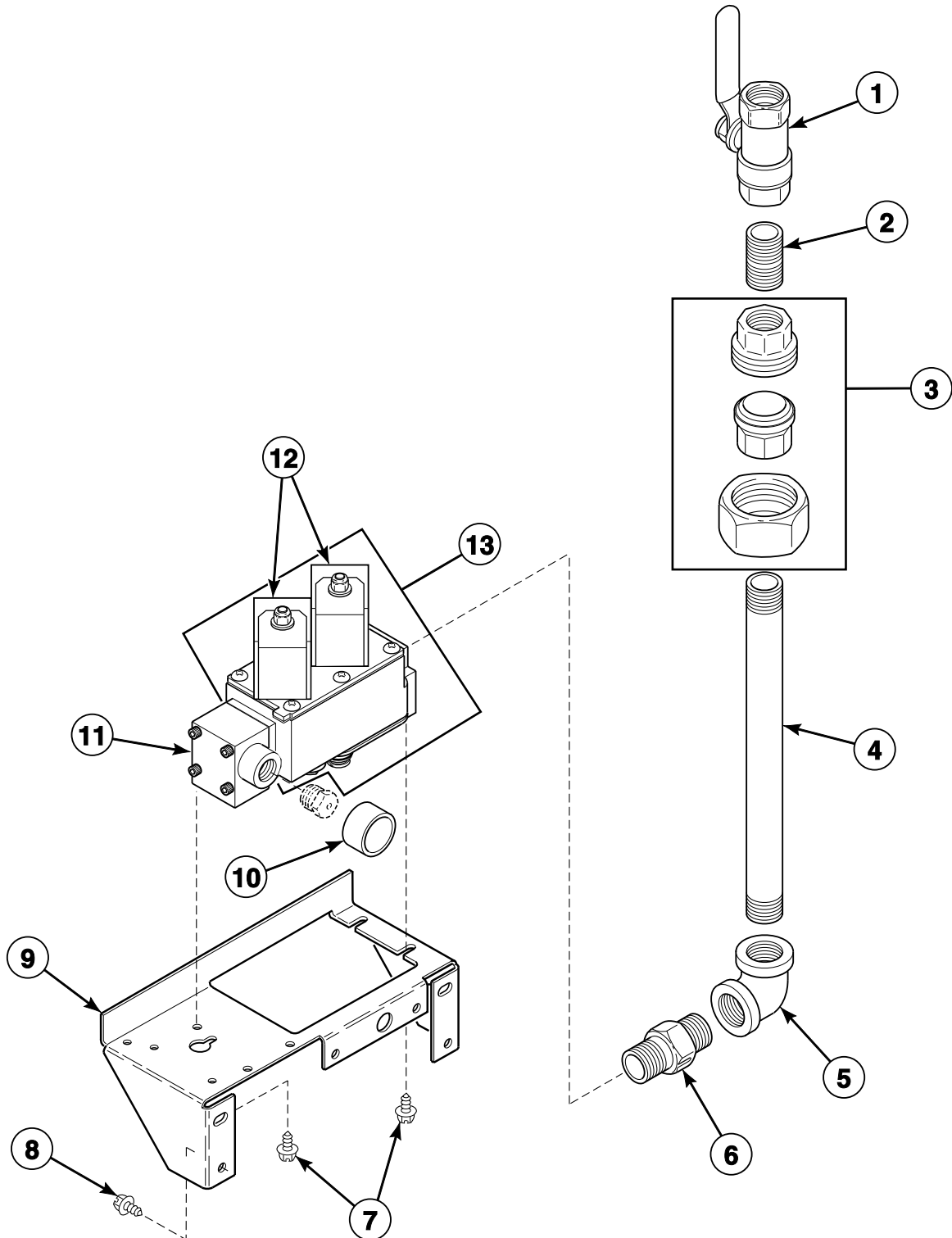
TMB2685P_70275601

Gas Valve Assembly - Non-CE and Non-Australian Models

REF	PART NO.	DESCRIPTION	COMMENTS
1	M405750	Pop Rivet	4 required
2	70271101	Gas Valve Cover	
3	70429801	Gas Valve Bracket	
4	430497	Screw	10 required
5	M400770	Snap Bushing	
6	70391601P	Orifice Adapter Kit	Natural Gas (N.G.); 25 pound models
	M403017	Burner Orifice	Liquid Petroleum Gas (L.P.); Drill no. 42 (2.4 mm); 25 pound models 0-2,000 feet; 30 pound models 2,001-6,000 feet; 35 pound models 8,000-10,000 feet
	M406184	Burner Orifice	L.P.; Drill no. 43 (2.3 mm); 25 pound models 2,001-6,000 feet; 30 pound models 6,001-8,000 feet
	M401011	Burner Orifice	L.P.; Drill no. 44 (2.2 mm); 25 pound models 6,001-8,000 feet; 30 pound models 8,000-10,000 feet
	M401003	Burner Orifice	L.P.; Drill no. 46 (2.1 mm); 25 pound models 8,000-10,000 feet
	M406361	Burner Orifice	L.P.; Drill no. 40 (2.5 mm); 30 pound models 0-2,000 feet
	M411375	Burner Orifice	L.P.; Drill no. 36 (2.7 mm); 35 pound models 0-2,000 feet
	M411376	Burner Orifice	L.P.; Drill no. 38 (2.6 mm); 35 pound models 2,001-4,000 feet
	M401007	Burner Orifice	L.P.; Drill no. 39 (2.5 mm); 35 pound models 4,001-6,000 feet
	M401015	Burner Orifice	L.P.; Drill no. 41 (2.4 mm); 35 pound models 6,001-8,000 feet
	M402980	Burner Orifice	N.G.; Drill no. 24 (3.9 mm); 25 pound models 0-2,000 feet; 30 pound models 4,001-6,000 feet
	M401000	Burner Orifice	N.G.; Drill no. 26 (3.7 mm); 25 pound models 2,001-4,000 feet; 30 pound models 6,001-8,000 feet
	M400998	Burner Orifice	N.G.; Drill no. 27 (3.7 mm); 25 pound models 4,001-6,000 feet
	M401014	Burner Orifice	N.G.; Drill no. 28 (3.6 mm); 25 pound models 6,001-8,000 feet; 30 pound models 8,000-10,000 feet
	M400997	Burner Orifice	N.G.; Drill no. 29 (3.4 mm); 25 pound models 8,000-10,000 feet
	M401002	Burner Orifice	N.G.; Drill no. 33 (2.9 mm); 30 pound models 0-2,000 feet; 35 pound models 8,000-10,000 feet
	M402996	Burner Orifice	N.G.; Drill no. 22 (4.0 mm); 30 pound models 2,001-4,000 feet
	M411511	Burner Orifice	N.G.; Drill no. 15 (4.6 mm); 35 pound models 0-2,000 feet
	M411373	Burner Orifice	N.G.; Drill no. 16 (4.5 mm); 35 pound models 2,001-4,000 feet
	M411374	Burner Orifice	N.G.; Drill no. 17 (4.4 mm); 35 pound models 4,001-6,000 feet
	M402995	Burner Orifice	N.G.; Drill no. 19 (4.2 mm); 35 pound models 6,001-8,000 feet
	M401002	Burner Orifice	N.G.; Drill no. 20 (4.1 mm); 35 pound models 8,000-10,000 feet
	M4699P3	L.P. Conversion Kit	25 pound models 0-2,000 feet; 64,000 Btu input
M4703P3	L.P. Conversion Kit	30 pound models 0-2,000 feet; 73,000 Btu input	
M4706P3	L.P. Conversion Kit	30 pound models 8,001-10,000 feet; 73,000 Btu input	
M4711P3	L.P. Conversion Kit	35 pound models 0-2,000 feet; 90,000 Btu input	
M412997	Harness Assembly		
7	70249001	Orifice Keeper Bracket	
8	70379301	Orifice Adapter	
9	70208701	Elbow	2 required
10	H86070034	Street Elbow	
11	70248901	Orifice Holder Bracket	
12	70271201	Gas Line Assembly	
13	44154501P	Gas Valve	N.G.
	44154502P	Gas Valve	L.P.
14	431486	Pipe Nipple	

NOTE: For CE gas and orifice information, refer to Installation Manual.

Gas Valve and Piping - CE and Australian Gas Models



TMB1942P_70275601

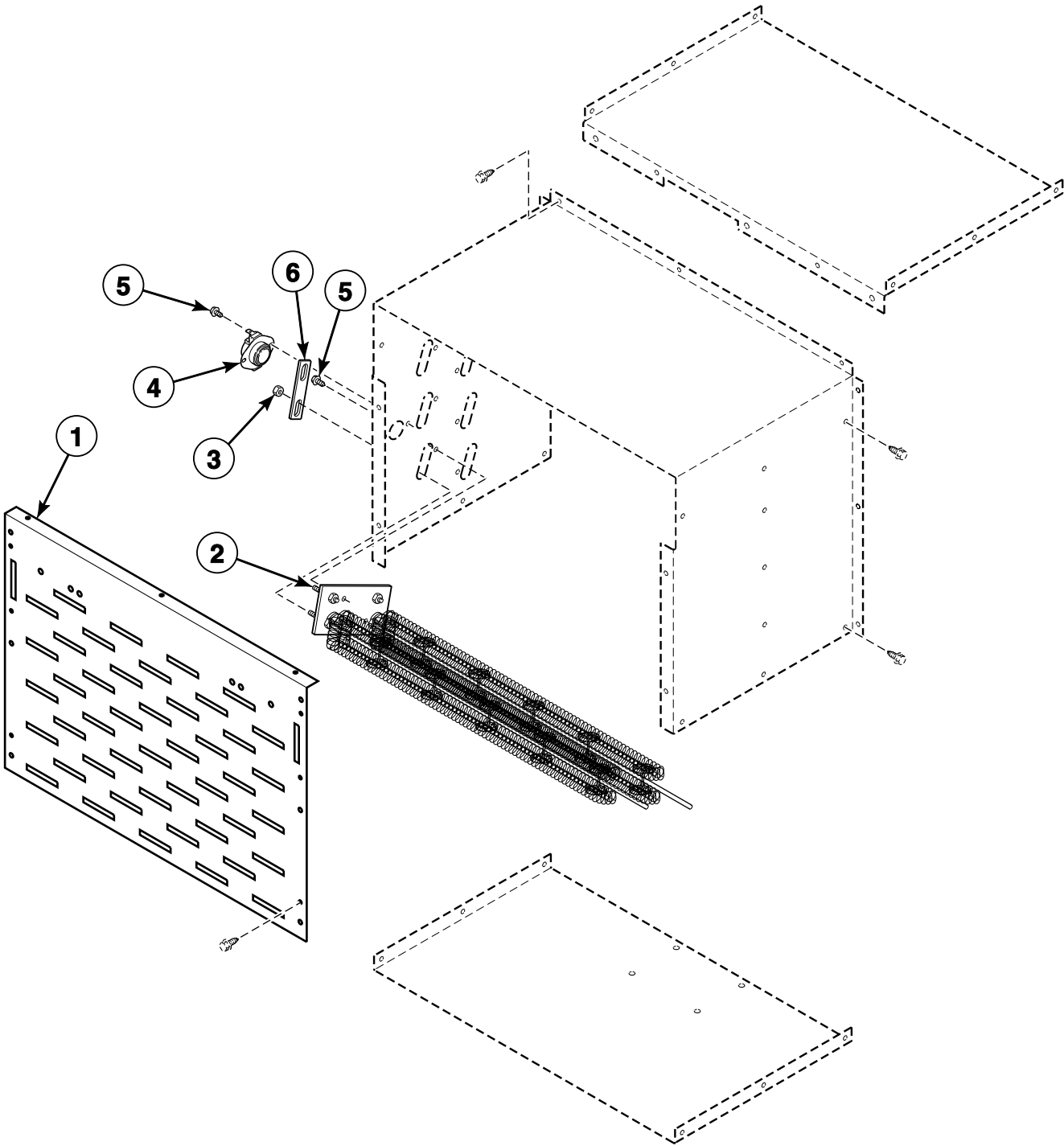
Gas Valve and Piping - CE and Australian Gas Models

REF	PART NO.	DESCRIPTION	COMMENTS
	431482	O-Ring	
	70184001	Gas Valve Harness Assembly	2 coil; Models with Johnson gas valve through 8/11/02
1	M412562P	Gas Shut-Off Valve	
2	431486	Pipe Nipple	1/2 NPT
3	H86000031	Union	
4	70139601	Pipe Nipple	
5	70079601	Elbow	
6	70131901	Adapter	BPT/NPT
7	23222	Screw	
8	430497	Screw	
9	N/A	Gas Valve Bracket	
10	70239801	Primary Air Adjustment Sleeve	
11	70223501	Spud Adapter	
12	70260101	Gas Valve Coil	24 Volt
13	70457301P	N.G. Valve	Regulated
	70457302P	L.P. Valve	Unregulated

N/A = Part no longer available

NOTE: For CE and Australian gas and orifice information, consult local gas supplier.

Electric Heater Components

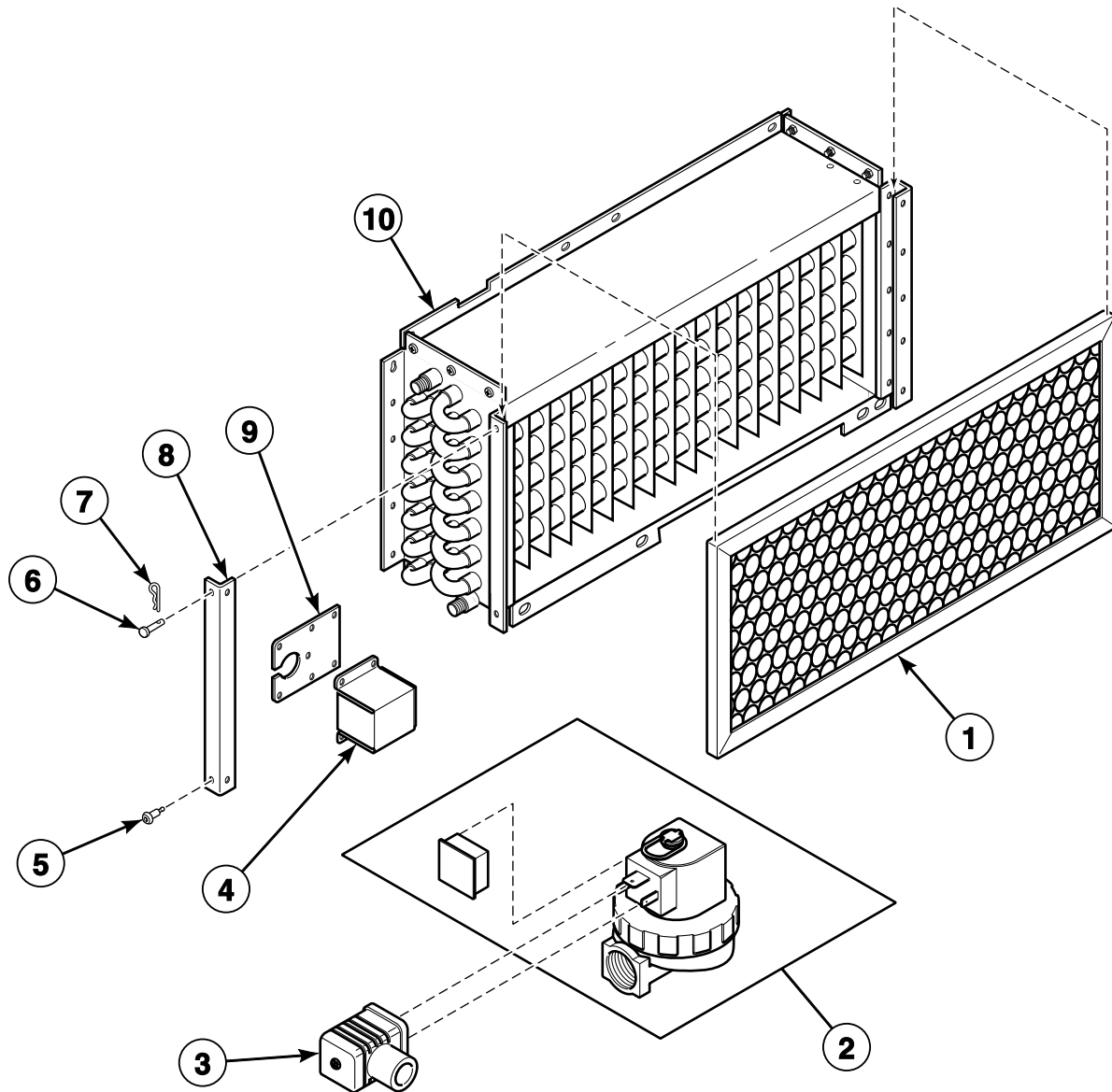


TMB2455P_70275601

Electric Heater Components

REF	PART NO.	DESCRIPTION	COMMENTS
	70138601P	Cable Heater Assembly	H1-H3
	70138701	Cable Heater Assembly	H4-H6; 240 Volt or less
1	70214901	Stove Grill	
2	70034413P	Heater Element	3 required; 220 Volt/3 Phase, 3 kW heater element for 25 pound 400 Volt models
	70034414P	Heater Element	3 required; 220 Volt/1 or 3 Phase, 4 kW heater element for 25 pound 380 Volt models
	70034415P	Heater Element	3 required; 208 Volt/1 or 3 Phase, 4 kW heater element for 25 pound 200-208 Volt models
	70034416P	Heater Element	3 required; 240 Volt/1 or 3 Phase and 415-480 Volt/3 Phase, 4 kW heater element for 25 pound 230-240, 400-415 and 460-480 Volt models
	70034401P	Heater Element	3 required; 208 Volt/1 or 3 Phase, 7 kW heater element for 30 pound 200-208 Volt models
	70034402P	Heater Element	3 required; 220 Volt/1 or 3 Phase, 7 kW heater element for 30 pound 380 Volt models
	70034403P	Heater Element	3 required; 240 Volt/1 or 3 Phase and 415-480 Volt/3 Phase, 7 kW heater element for 30 pound 230-240, 400-415 and 460-480 Volt models
	70034404P	Heater Element	3 required; 208 Volt/1 or 3 Phase, 8 kW heater element for 35 pound 200-208 Volt models
	70034405P	Heater Element	3 required; 220 Volt/1 or 3 Phase, 8 kW heater element for 35 pound 380 Volt models
	70034406P	Heater Element	3 required; 240 Volt/1 or 3 Phase and 415-480 Volt/3 Phase, 8 kW heater element for 35 pound 230-240, 400-415 and 460-480 Volt models
3	70054	Nut	
4	M410542	Limit Thermostat	25 pound models
	M409443	Limit Thermostat	30 pound models
	M409433	Limit Thermostat	35 pound models
5	430497	Screw	
6	70066501	Jumper Bar	2 required on 380, 400, 400-415 and 460-480 Volt models

Steam Heater Components

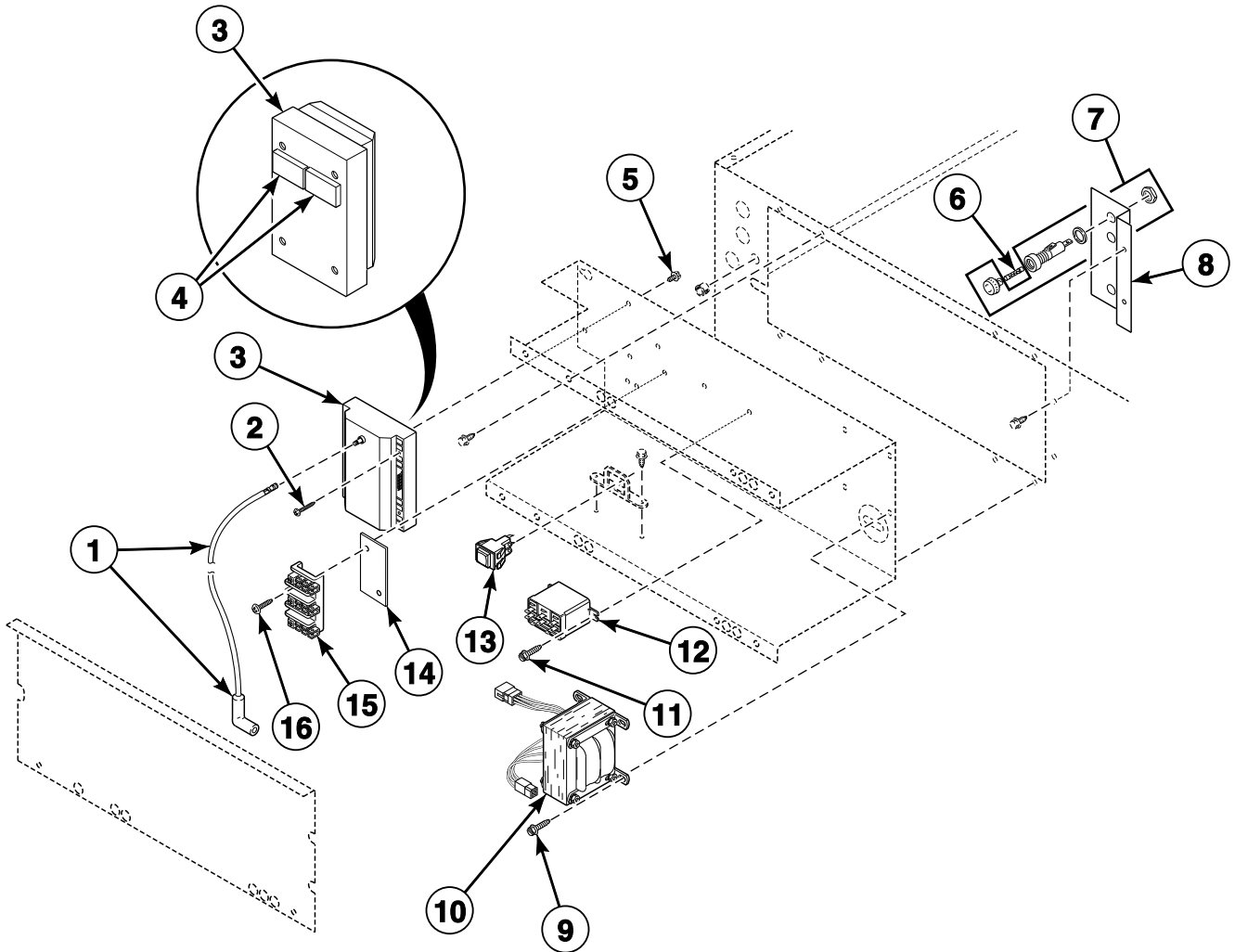


TMB2385P_70275601

Steam Heater Components

REF	PART NO.	DESCRIPTION	COMMENTS
	70137801	Thermostat Bracket	
	70139901	Thermostat Cover	
	70205701P	Steam Valve Coil	Use with Danfoss 60 Hertz steam valve
	M412258	Steam Valve Coil	Use with Danfoss 50 Hertz steam valve
	70351011P	Steam Solenoid	24 Volt/60 Hertz; Parker; Models starting Serial No. 0403xxxxx
	70351012	Steam Solenoid	24 Volt/50 Hertz; Parker; Models starting Serial No. 0403xxxxx
	M412259	Steam Valve Rebuild Kit	Danfoss; Models through Serial No. 0403xxxxx
	70351021P	Steam Valve Rebuild Kit	Parker; Models starting Serial No. 0403xxxxx
1	70036001	Air Filter	
2	70351001P	Steam Valve	24 Volt/60 Hertz
	F8322903	Steam Valve	24 Volt/50 Hertz
3	70370301P	Solenoid Valve DIN Connector	
4	70369501	Steam Valve Wiring Cover	
5	70058501	Pop Rivet	
6	70389201	Clevis Pin	
7	70389301	Hairpin Cotter	
8	70369301	Steam Filter Holder	
9	70369401	Steam Valve Harness Bracket	
10	70231301P	Steam Coil	4 rows

Control Tray - Non-CE and Australian Gas Models



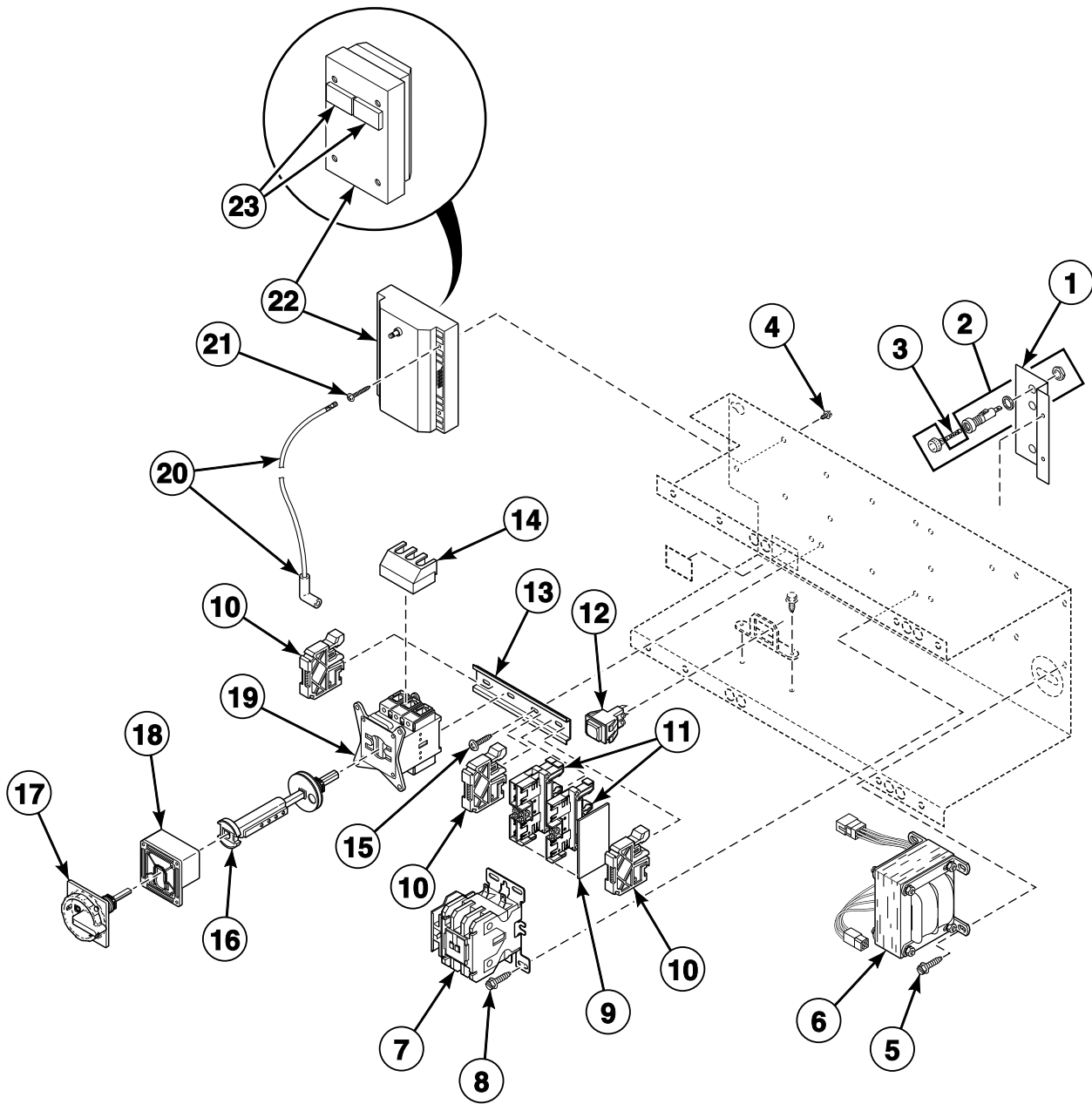
TMB2185P_70275601

Control Tray - Non-CE and Australian Gas Models

REF	PART NO.	DESCRIPTION	COMMENTS
	M402917	Screw	Green; Ground
	M413863	Network Capacitor Assembly	3O, 3V, 3X, DO, DV, DX and OM control suffixes
	M413930P	Ferrite Core Assembly	3O, 3V, 3X, DO, DV, DX and OM control suffixes
	70083201	Ignition Control Harness Assembly	Non-Australian models
	70083301P	Ignition Control Harness	Australian models
	M413504	Jumper Harness Assembly	100 Volt/1 Phase
	M413505	Jumper Harness Assembly	120 Volt/1 Phase
	M413506	Jumper Harness Assembly	208 Volt/1 or 3 Phase
	M413508	Jumper Harness Assembly	380 Volt/50 Hertz/3 Phase
	M413509	Jumper Harness Assembly	415 Volt/50 Hertz/3 Phase
	M413510	Jumper Configuration Assembly	480 Volt/60 Hertz/3 Phase
	M413507	Jumper Configuration Assembly	240 Volt
	70083001P	Control Tray Harness Assembly	Fuse, transformer, motor switch relay coil and switch
	70055901P	Power Wire Harness Assembly	1 Phase; Terminal block to transformer
	70120201P	Power Harness Assembly	3 Phase; Terminal block to transformer
1	70006201	High Voltage Lead	
2	70118801	Screw	
3	70367301P	Ignition Control	Non-Australian models
	70367401P	Ignition Control	Australian models
4	56128	Bumper Pad	2 required
5	38272	Screw	
6	M413118	Fuse	Primary; 230-240 Volt; 2 Amp
	M414232	Fuse	Secondary; 3.5 Amp
	M414240	Fuse	Primary; 100-230 Volt; 2 Amp
	M413621	Fuse	Primary; 380-480 Volt; 0.5 Amp
7	M413544P	Fuse Holder	Primary on all 380-480 Volt models
	91024P	Fuse Receptacle	Primary on all other models; Secondary on all models
8	N/A	Fuse Bracket	100-240 Volt
	70123801	Fuse Bracket	380-480 Volt
9	33562	Screw	
10	M414230P	Transformer	120, 208-240 Volt/60 Hertz/1 Phase models with CD and MT control suffixes
	M414312P	Transformer	120, 208-240 Volt/60 Hertz/1 Phase models with BC, BL, BU, BX, BY, NC, NR, NX, NY and OM control suffixes
	M414229P	Transformer	380-480 Volt
	M414228P	Transformer	All other models
11	51778	Screw	For relay
	51780	Screw	For contactor
12	70210901P	Relay	1 Phase
	M413614P	Fan Contactor	3 Phase
13	M413431	Pushbutton Switch	Australian models
14	M413862	Insulator	For terminal block
15	430642	Terminal Block	
16	M405824	Screw	

N/A = Part no longer available

Control Tray - CE Gas Models



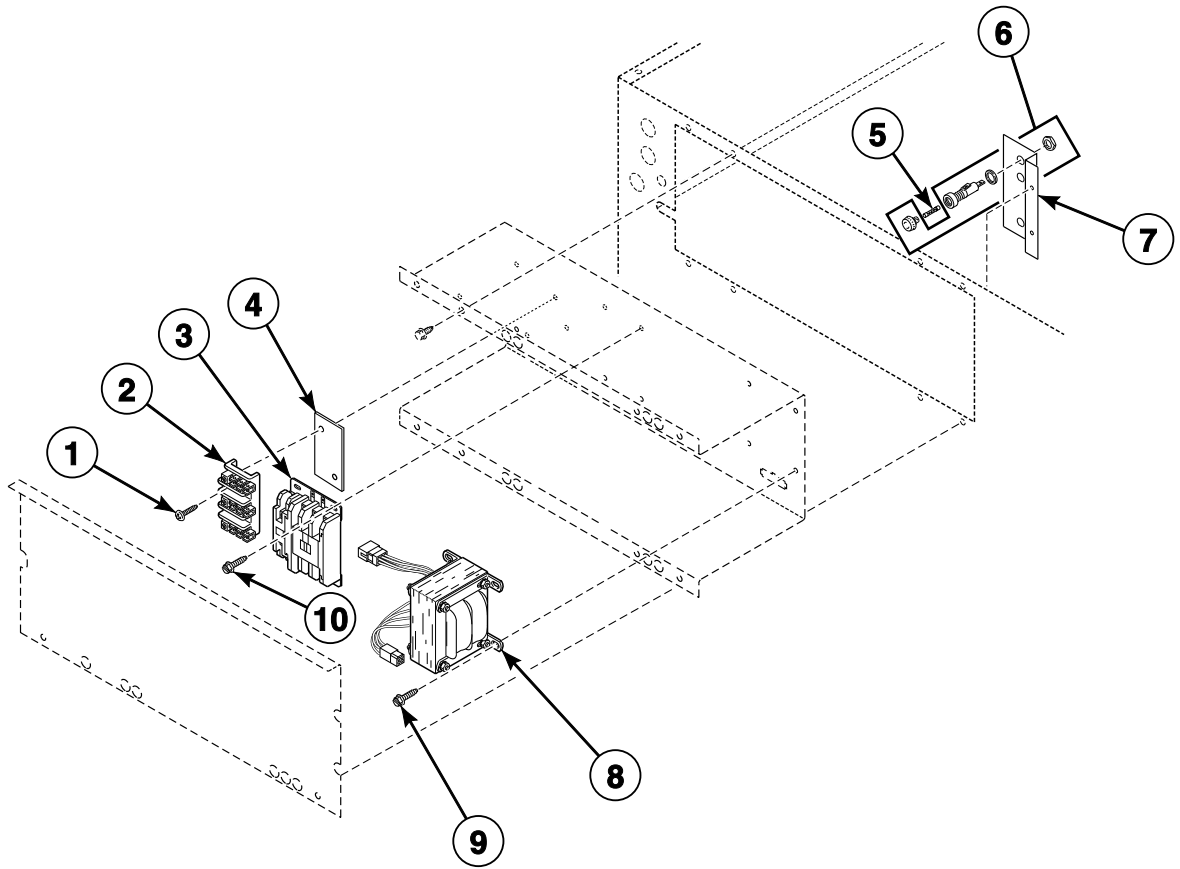
TMB2186P_70275601

Control Tray - CE Gas Models

REF	PART NO.	DESCRIPTION	COMMENTS
	M402917	Screw	Green; Ground
	M413863	Network Capacitor Assembly	3O, 3V, 3X, DO, DV, DX and OM control suffixes
	M413930P	Ferrite Core Assembly	3O, 3V, 3X, DO, DV, DX and OM control suffixes
	70083001P	Control Tray Harness Assembly	
	70120901	Jumper Disconnect Assembly	
	M413507	Jumper Configuration Assembly	230-240 Volt/50 or 60 Hertz/1 or 3 Phase
	M413510	Jumper Configuration Assembly	480 Volt/60 Hertz/3 Phase
	M413506	Jumper Harness Assembly	208 Volt/1 or 3 Phase
	M413508	Jumper Harness Assembly	380 Volt/50 Hertz/3 Phase
	M413509	Jumper Harness Assembly	400-415 Volt/50 Hertz/3 Phase
	70083301P	Ignition Control Harness	
	70055901P	Power Wire Harness Assembly	1 Phase; Terminal block to transformer
	70120201P	Power Harness Assembly	3 Phase; Terminal block to transformer
	M413510	Jumper Configuration Assembly	480 Volt/60 Hertz/3 Phase
1	70123901	Fuse Bracket	200-240 Volt
	70124001	Fuse Bracket	380-415 Volt
2	502591P	Fuse Holder Kit	250 Volt
	M413544P	Fuse Holder	380-415 Volt; 500 Volt
3	M413621	Fuse	380-415 Volt/3 Phase; 0.5 Amp
	M413867	Fuse	200-230 Volt; 2 Amp
	M413889	Fuse	3 Phase; 4 Amp
	M414232	Fuse	230 Volt/1 Phase; 4 Amp
	M414240	Fuse	100-200 Volt; 2 Amp
4	38272	Screw	
5	33562	Screw	
6	M414228P	Transformer	200-240 Volt
	M414229P	Transformer	380-415 Volt
7	M413614P	Fan Contactor	3 Phase
8	51780	Screw	
9	70121101	End Cover	3 required
10	70121001	End Stop	
11	70120001	Terminal Block	3 required
12	M413431	Pushbutton Switch	Lighted
13	N/A	Din Rail	
14	M412366	Finger Guard	
15	430497	Screw	
16	M412370	Extension Handle	20 Amp
17	M412208	Handle	
18	M412368	Door Interlock	
19	M412187P	Mounting Switch Base	20 Amp
20	70006201	High Voltage Lead	
21	70118801	Screw	
22	70367401P	Ignition Control	
23	56128	Bumper Pad	2 required

N/A = Part no longer available

Control Tray - Non-CE Steam Models



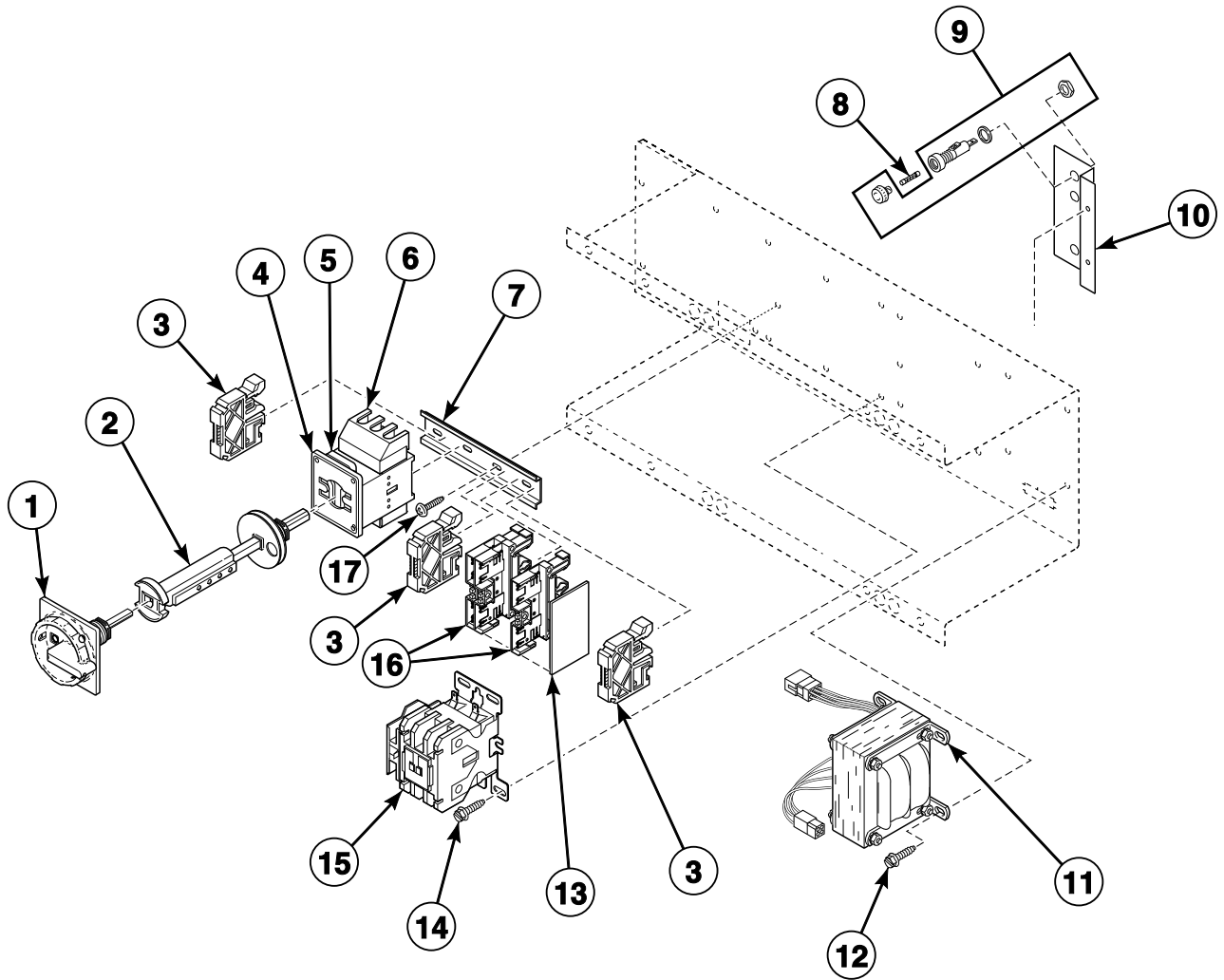
T392PZ3B_70275601

Control Tray - Non-CE Steam Models

REF	PART NO.	DESCRIPTION	COMMENTS
	M402917	Screw	Green; Ground
	M413863	Network Capacitor Assembly	3O, 3V, 3X, DO, DV, DX and OM control suffixes
	M413930P	Ferrite Core Assembly	3O, 3V, 3X, DO, DV, DX and OM control suffixes
	70113101	Steam Jumper Assembly	
	M413504	Jumper Harness Assembly	100 Volt/1 Phase
	M413505	Jumper Harness Assembly	120 Volt/1 Phase
	M413506	Jumper Harness Assembly	208 Volt/1 or 3 Phase
	M413508	Jumper Harness Assembly	380 Volt/50 Hertz/3 Phase
	M413509	Jumper Harness Assembly	415 Volt/50 Hertz/3 Phase
	M413507	Jumper Configuration Assembly	240 Volt
	M413510	Jumper Configuration Assembly	480 Volt/60 Hertz/3 Phase
	70083001P	Control Tray Harness Assembly	Fuse, transformer, motor switch relay coil and switch
	70055901P	Power Wire Harness Assembly	1 Phase; Terminal block to transformer
	70120201P	Power Harness Assembly	3 Phase; Terminal block to transformer
1	M405824	Screw	
2	430642	Terminal Block	
3	70210901P	Relay	1 Phase
	M413614P	Fan Contactor	3 Phase
4	M413862	Insulator	For terminal block
5	M413118	Fuse	Primary; All 200-240 Volt; 2 Amp
	M413621	Fuse	Primary; All 380-480 Volt; 0.5 Amp
	M414232	Fuse	Secondary; 3.5 Amp; Used on all models
	M414240	Fuse	Primary; 100-200 Volt; 2 Amp
6	91024P	Fuse Receptacle	
	M413544P	Fuse Holder	All 380-480 Volt
7	N/A	Fuse Bracket	100-240 Volt
	70123801	Fuse Bracket	380-480 Volt
8	M414230P	Transformer	120, 208-240 Volt/60 Hertz/1 Phase models with CD and MT control suffixes
	M414312P	Transformer	120, 208-240 Volt/60 Hertz/1 Phase models with BC, BL, BU, BX, BY, NC, NR, NX, NY and OM control suffixes
	M414229P	Transformer	380-480 Volt
	M414228P	Transformer	All other models
9	M411072	Screw	
10	51778	Screw	For relay
	430497	Screw	For contactor

N/A = Part no longer available

Control Tray - CE Steam Models



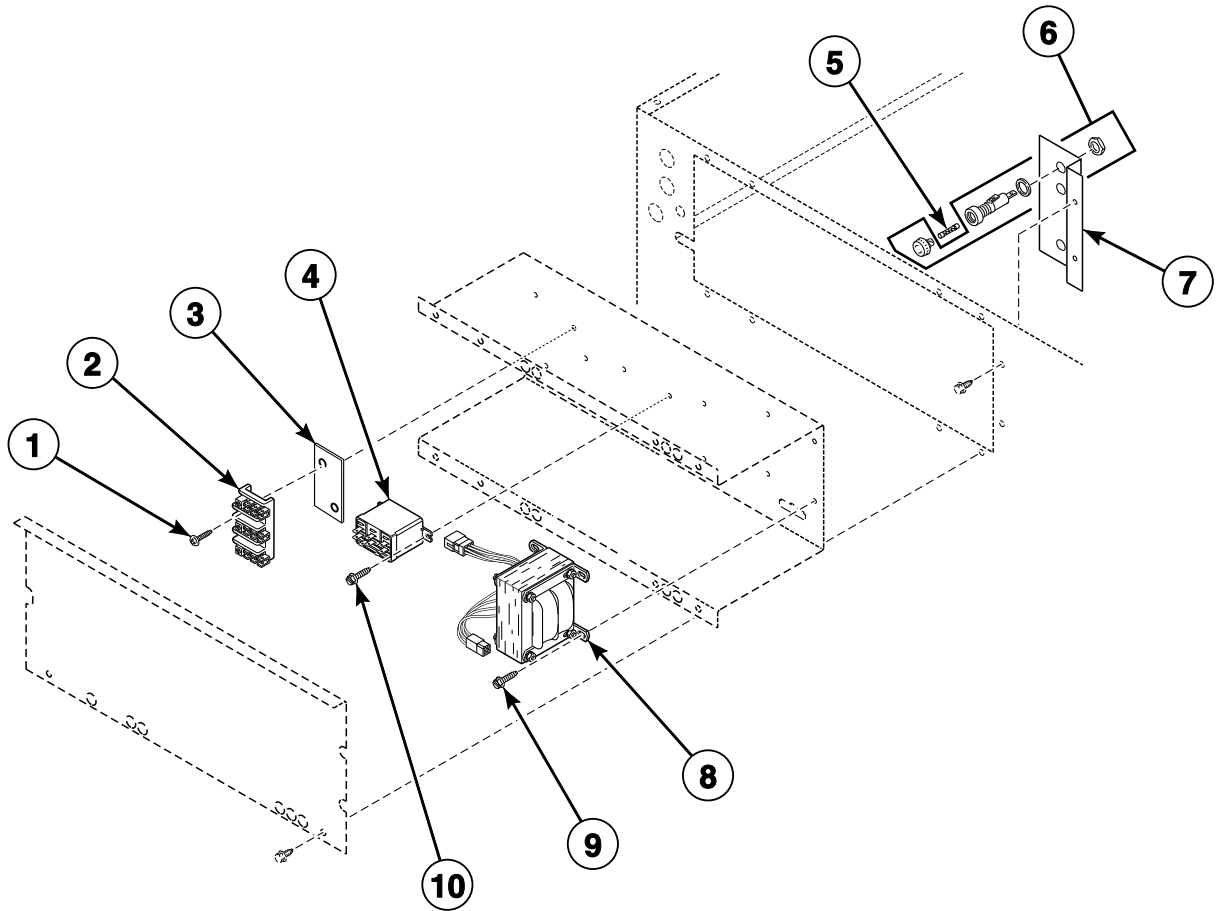
TMB2249P_70275601

Control Tray - CE Steam Models

REF	PART NO.	DESCRIPTION	COMMENTS
	M413863	Network Capacitor Assembly	3O, 3V, 3X, DO, DV, DX and OM control suffixes
	M413930P	Ferrite Core Assembly	3O, 3V, 3X, DO, DV, DX and OM control suffixes
	70113101	Steam Jumper Assembly	
	70120901	Jumper Disconnect Assembly	Terminal block to disconnect switch
	M413507	Jumper Configuration Assembly	230-240 Volt/50 or 60 Hertz/1 or 3 Phase
	M413508	Jumper Harness Assembly	380 Volt/50 Hertz/3 Phase
	M413509	Jumper Harness Assembly	400-415 Volt/50 Hertz/3 Phase
	M413510	Jumper Configuration Assembly	480 Volt/60 Hertz/3 Phase
	70083001P	Control Tray Harness Assembly	Control tray to fan motor and interlock harness
	70055901P	Power Wire Harness Assembly	1 Phase; Terminal block to transformer
	70120201P	Power Harness Assembly	3 Phase; Terminal block to transformer
1	M412208	Handle	
2	M412370	Extension Handle	20 Amp
3	70121001	End Stop	3 required
4	M412368	Door Interlock	
5	M412187P	Mounting Switch Base	20 Amp
6	M412366	Finger Guard	
7	N/A	Din Rail	
8	M413621	Fuse	380-415 Volt; 0.5 Amp; Primary fuse
	70406501	Fuse	1.25 Amp; Secondary fuse
	M413889	Fuse	4 Amp; Secondary fuse
	M413867	Fuse	2 Amp; Primary fuse on 240 Volt and less
9	502591P	Fuse Holder Kit	All models
	M413544P	Fuse Holder	380-415 Volt
10	70123901	Fuse Bracket	230 Volt and lower
	70124001	Fuse Bracket	380 Volt and higher
11	M414228P	Transformer	200-240 Volt
	M414229P	Transformer	380-415 Volt
12	M411072	Screw	
13	70121101	End Cover	1 required
14	51780	Screw	
15	M413614P	Fan Contactor	
16	70120001	Terminal Block	3 required
17	430497	Screw	

N/A = Part no longer available

Control Tray - Non-CE Electric Models



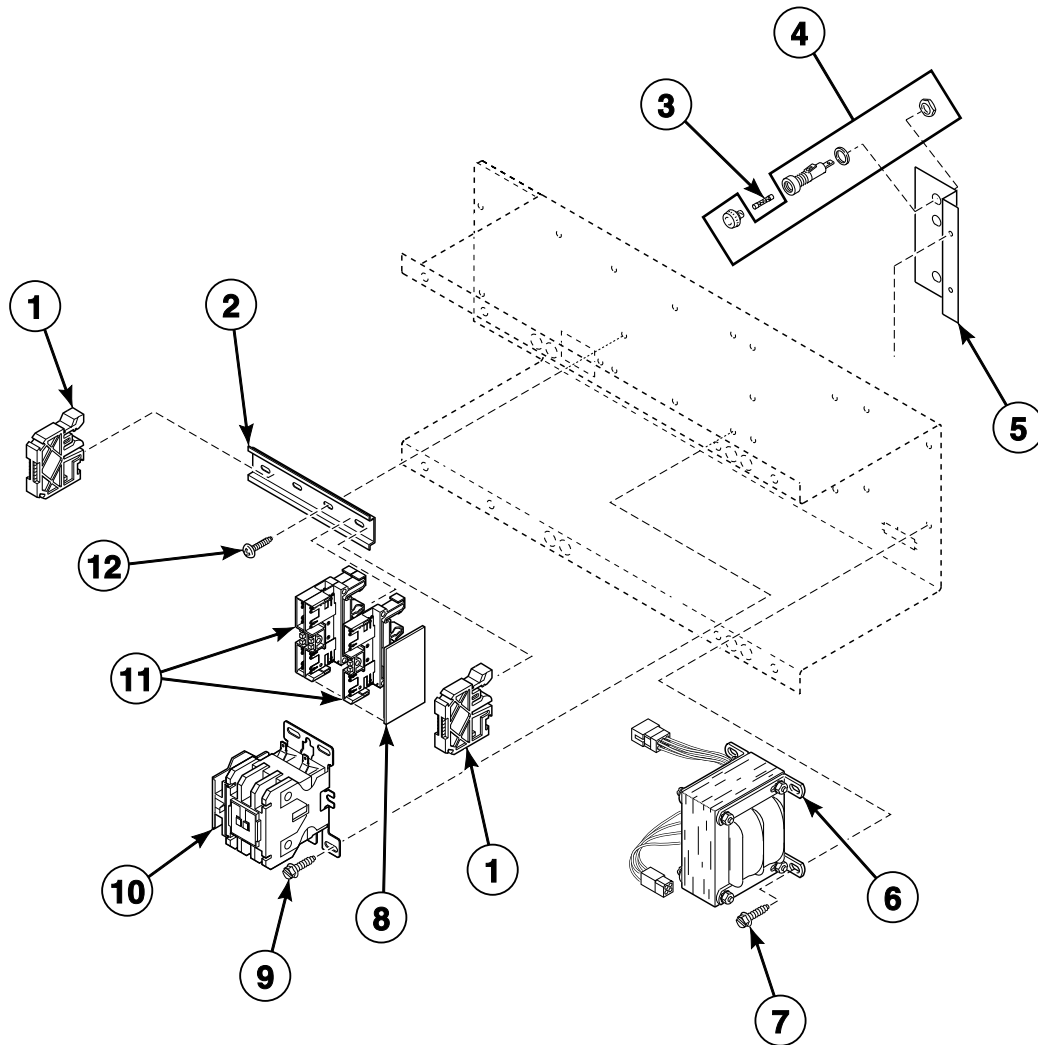
T406PZ3D_70275601

Control Tray - Non-CE Electric Models

REF	PART NO.	DESCRIPTION	COMMENTS
	M413863	Network Capacitor Assembly	3O, 3V, 3X, DO, DV, DX and OM control suffixes
	M413930P	Ferrite Core Assembly	3O, 3V, 3X, DO, DV, DX and OM control suffixes
	M402917	Screw	Green; Ground
	70083001P	Control Tray Harness Assembly	Fuse, transformer, motor switch relay coil and switch
	70055901P	Power Wire Harness Assembly	1 Phase; Terminal block to transformer
	70120201P	Power Harness Assembly	3 Phase; Terminal block to transformer
	70142501	Jumper Adapter Harness Assembly	
	70139101	Jumper Assembly	1 Phase; 1 required; 8 gauge; 11 inches
	44129201P	Jumper Harness	200-240 Volt
	M413505	Jumper Harness Assembly	208 or 240 Volt/60 Hertz/1 Phase
	M413506	Jumper Harness Assembly	208 Volt/60 Hertz/3 Phase
	M413507	Jumper Configuration Assembly	240 Volt/50 Hertz/1 Phase and 240 Volt/3 Phase
	M413508	Jumper Harness Assembly	380 Volt/50 Hertz/3 Phase
	M413509	Jumper Harness Assembly	415 Volt
	M413510	Jumper Configuration Assembly	480 Volt
1	M411072	Screw	
2	430642	Terminal Block	
3	M413862	Insulator	For terminal block
4	70210901P	Relay	1 Phase
	M413614P	Fan Contactor	3 Phase
5	M413621	Fuse	Primary; 0.5 Amp; 380-480 Volt
	M413118	Fuse	Primary; 2 Amp; Under 380 Volt
	M414232	Fuse	Secondary; 3.5 Amp; All other models
6	91024P	Fuse Receptacle	250 Volt; 380-480 Volt
	M413544P	Fuse Holder	600 Volt; Under 380 Volt
7	N/A	Fuse Bracket	250 Volt; 380-480 Volt
	70123801	Fuse Bracket	600 Volt; Under 380 Volt
8	M414228P	Transformer	200-240 Volt/50 or 60 Hertz
	M414229P	Transformer	380-480 Volt/50 or 60 Hertz
9	M405824	Screw	
10	51778	Screw	For motor relay
	430497	Screw	For motor contactor

N/A = Part no longer available

Control Tray - CE Electric Models



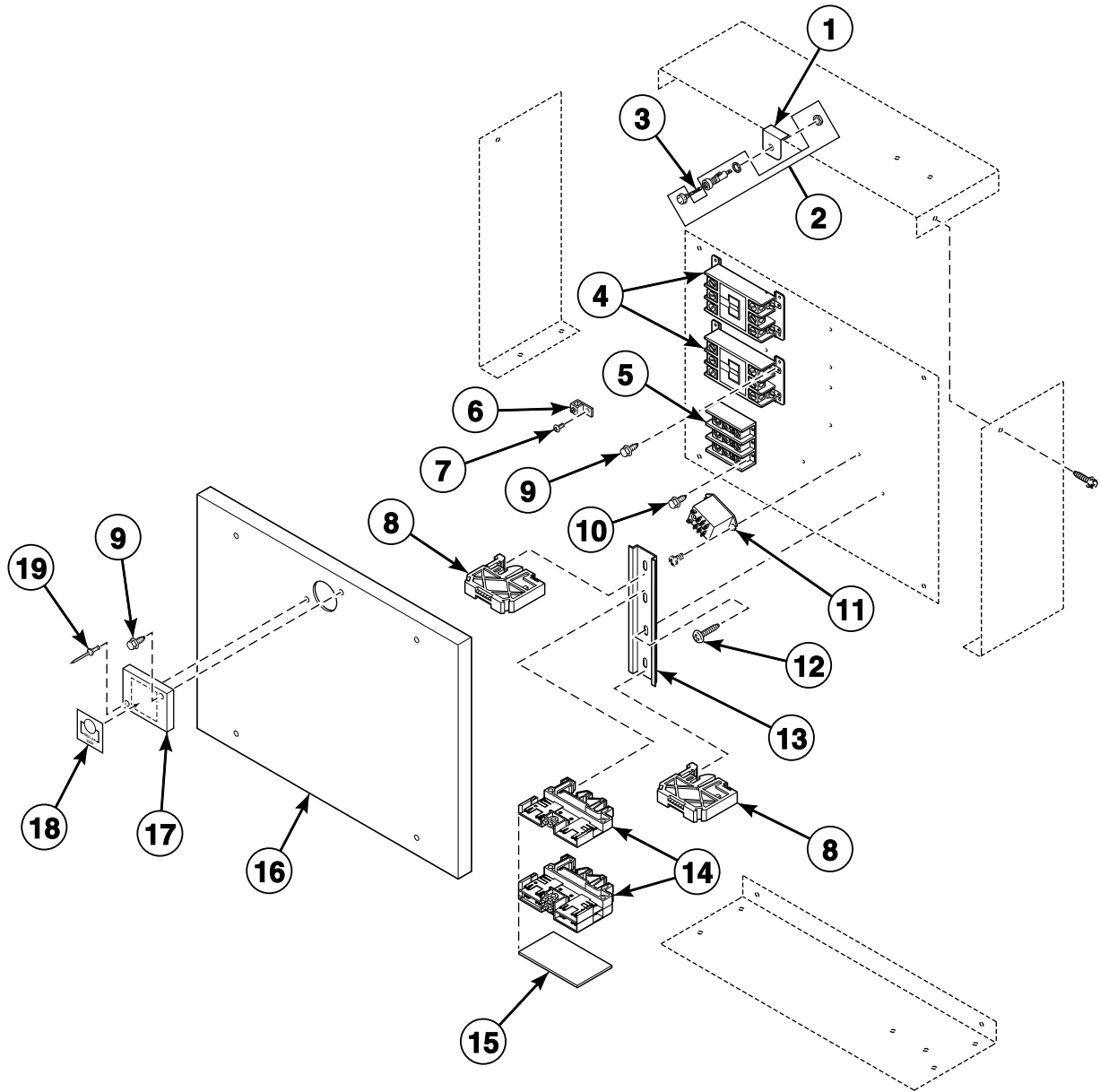
TMB2250P_70275601

Control Tray - CE Electric Models

REF	PART NO.	DESCRIPTION	COMMENTS
	M413863	Network Capacitor Assembly	3O, 3V, 3X, DO, DV, DX and OM control suffixes
	M413930P	Ferrite Core Assembly	
	M402917	Screw	Green; Ground
	70083001P	Control Tray Harness Assembly	Control tray to fan motor and interlock harness
	70055901P	Power Wire Harness Assembly	1 Phase; Terminal block to transformer
	70120201P	Power Harness Assembly	3 Phase; Terminal block to transformer
	70142501	Jumper Adapter Harness Assembly	Contactora coil
	M413507	Jumper Configuration Assembly	230-240 Volt/50 or 60 Hertz/1 or 3 Phase
	M413508	Jumper Harness Assembly	380 Volt/50 Hertz/3 Phase
	M413509	Jumper Harness Assembly	400-415 Volt/50 Hertz/3 Phase
1	70121001	End Stop	
2	N/A	Din Rail	
3	M413889	Fuse	4 Amp; Secondary
	M413621	Fuse	0.5 Amp; 380-415 Volt
	M413867	Fuse	2 Amp; 200-240 Volt
4	502591P	Fuse Holder Kit	Always used on secondary on primary side of 230 Volt models
	M413544P	Fuse Holder	380-415 Volt
5	70123901	Fuse Bracket	Low voltage
	70124001	Fuse Bracket	High voltage
6	M414228P	Transformer	200-240 Volt/50 or 60 Hertz
	M414229P	Transformer	380-480 Volt/50 or 60 Hertz
7	70118801	Screw	
8	70121101	End Cover	
9	M411072	Screw	
10	M413614P	Fan Contactora	1 or 3 Phase
11	70120001	Terminal Block	
12	430497	Screw	

N/A = Part no longer available

Accessory Box - Non-CE Electric Models - 240 Volt and Lower



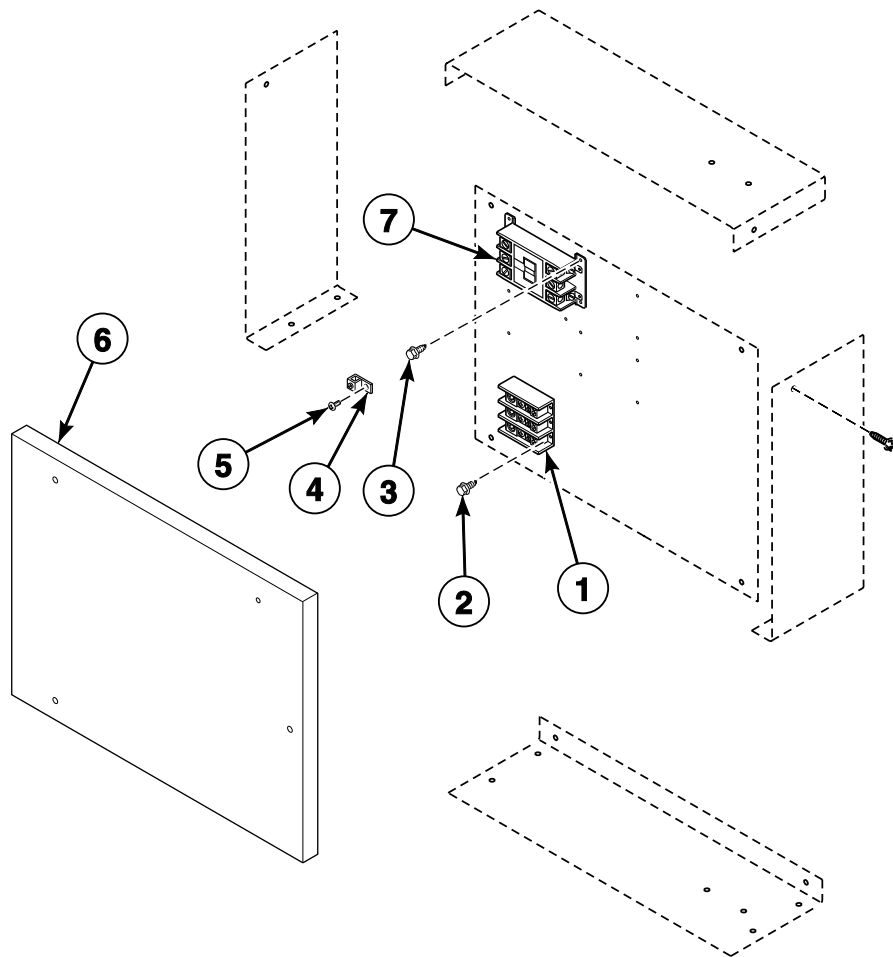
TMB1985K_70275601

Accessory Box - Non-CE Electric Models - 240 Volt and Lower

REF	PART NO.	DESCRIPTION	COMMENTS
	M4793P3	Coil Booster Kit	Models through Serial No. 0303016594
	M413930P	Ferrite Core Assembly	3O, 3V, 3X, DO, DV, DX and OM control suffixes
	70292901	Power Buss Harness	Models through Serial No. 0303016594
	70293101	Electric Harness	Models through Serial No. 0303016594
	70294501	Jumper Harness Assembly	Models through Serial No. 0303016594
	M414121	Jumper Cable Assembly	8 gauge; 6.75 inches; 6 required for 230 Volt/1 or 3 Phase; Models through Serial No. 0303016594
	70138901	Jumper Assembly	2 gauge; 7.5 inches; 2 required for 230 Volt/50 Hertz/1 Phase; Models through Serial No. 0303016594
	70139001	Jumper Assembly	8 gauge; 10 inches; 3 required for 200-240 Volt/3 Phase; 2 required for 1 Phase; 3 required for 3 Phase; Models through Serial No. 0303016594
	M413933	Jumper Cable Assembly	8 gauge; 7.5 inches; 3 required for 200-240 Volt/3 Phase; 1 required for 1 Phase; Models through Serial No. 0303016594
1	70294001	Fuse Holder Bracket	Models through Serial No. 0303016594
2	91024P	Fuse Receptacle	Models through Serial No. 0303016594
3	M414240	Fuse	Models through Serial No. 0303016594
4	70293201P	Electric Contactor	2 required; Models starting Serial No. 0303016595
	M4919P3	Electric Heater Contactor Kit	2 required; Models through Serial No. 0303016594
5	M413865	Terminal Block	3 pole
6	M411283	Ground Lug Connector	
7	M402917	Screw	
8	70121001	End Stop	2 required; Models through Serial No. 0303016594
9	430497	Screw	
10	39733	Screw	
11	M412534	Relay	Models through Serial No. 0303016594
12	501086	Screw	2 required; Models through Serial No. 0303016594
13	M412694	Din Rail	2 inches; Models through Serial No. 0303016594
14	M412632	Terminal Block	2 required; Models through Serial No. 0303016594
15	M412633	End Barrier	
16	N/A	Accessory Box Cover	
17	70294601	Fuse Cover	Models through Serial No. 0303016594
18	70294301	Fuse Label	Models through Serial No. 0303016594
19	70058501	Pop Rivet	Models through Serial No. 0303016594

N/A = Part no longer available

Accessory Box - Non-CE Electric Models - 380 Volt and Higher



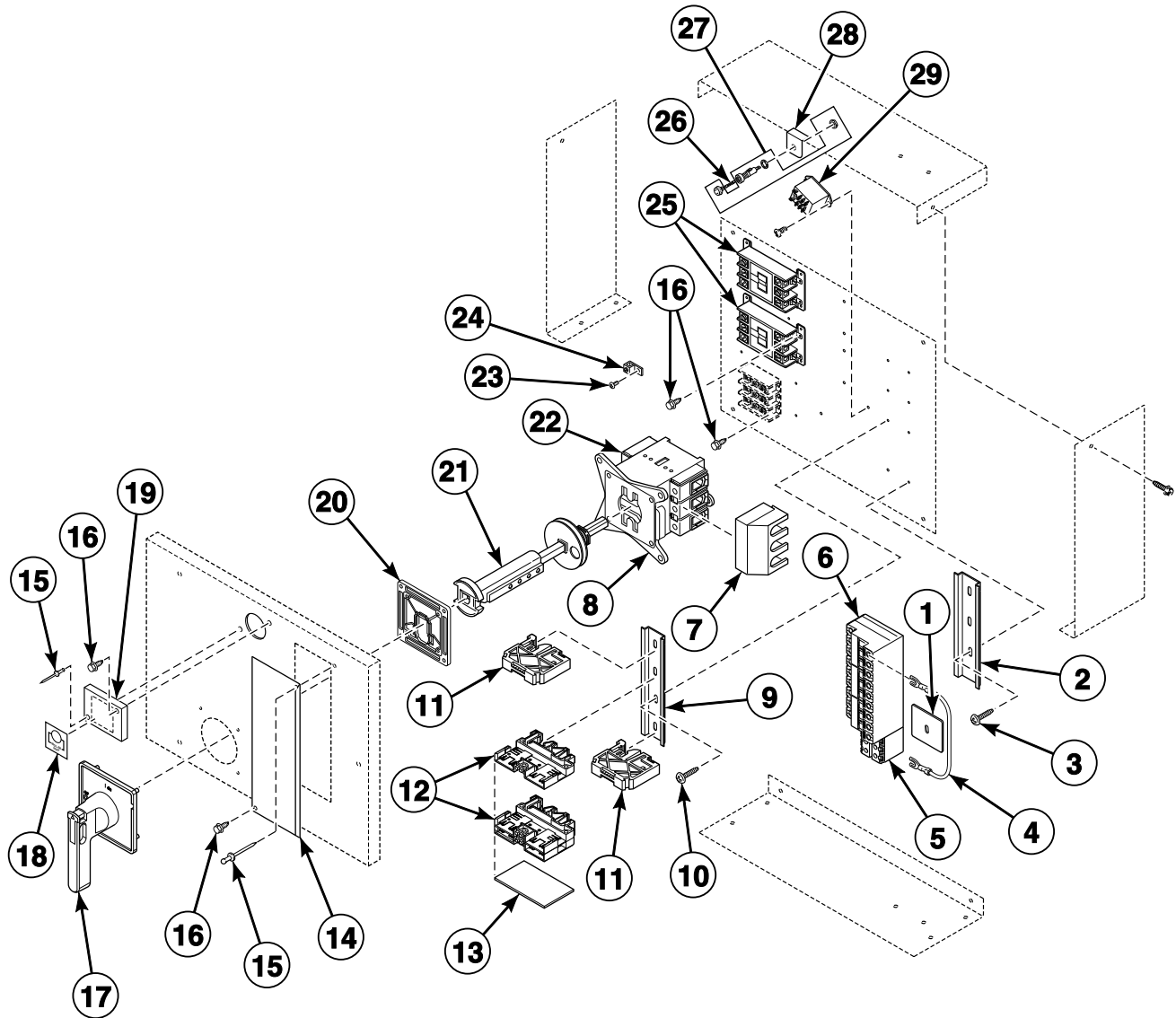
TMB2187P_70275601

Accessory Box - Non-CE Electric Models - 380 Volt and Higher

REF	PART NO.	DESCRIPTION	COMMENTS
	70139401	Power Harness Assembly	
	M413930P	Ferrite Core Assembly	3O, 3V, 3X, DO, DV, DX and OM control suffixes
	M413934	Jumper Cable Assembly	8 gauge; 8 inches; 3 required for 380 or 415 Volt/3 Phase
1	M413865	Terminal Block	3 pole
2	39733	Screw	
3	430497	Screw	
4	M411283	Ground Lug Connector	
5	M402917	Screw	
6	N/A	Accessory Box Cover	
7	M4919P3	Electric Heater Contactor Kit	

N/A = Part no longer available

Accessory Box - CE Electric Models - 240 Volt and Lower



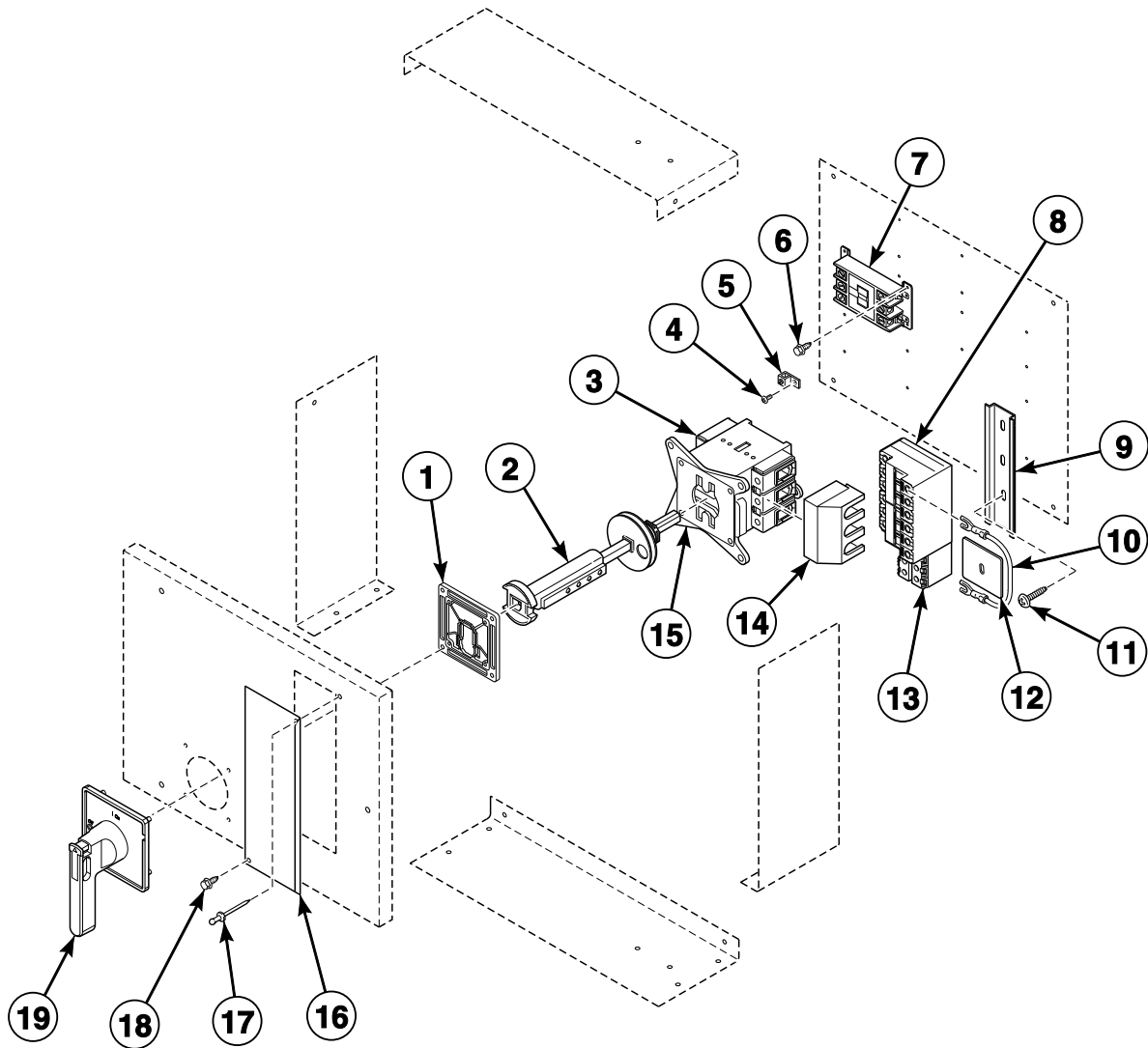
TMB2189P_70275601

Accessory Box - CE Electric Models - 240 Volt and Lower

REF	PART NO.	DESCRIPTION	COMMENTS
	70292901	Power Buss Harness	
	70293101	Electric Harness	
	70294501	Jumper Harness Assembly	
	70138901	Jumper Assembly	2 gauge; 7.5 inches; 2 required for 230 Volt/50 Hertz/1 Phase
	M414121	Jumper Cable Assembly	8 gauge; 6.75 inches; 6 required for 230 Volt/1 or 3 Phase
	70138801	Jumper Assembly	6 gauge; 8 inches; 3 required for 3 Phase
	M4793P3	Coil Booster Kit	Models through Serial No. 0303016594
1	44014901P	Power Distribution Block Cover	
2	N/A	Din Rail	380-415 Volt/50 Hertz/3 Phase; 5 inches
	M412693	Din Rail	380-415 Volt/50 Hertz/3 Phase; 6.5 inches
3	430497	Screw	
4	M413933	Jumper Cable Assembly	7.5 inches; 3 required for 200 or 240 Volt/3 Phase models
5	M413865	Terminal Block	230 Volt/50 Hertz/1 Phase
6	M412401	Circuit Breaker	230 Volt/50 Hertz/1 Phase; 8 Amp
	M412402	Circuit Breaker	25 pound models; 230 Volt/50 Hertz/1 or 3 Phase; 32 Amp
	M412406	Circuit Breaker	30 pound models; 230 Volt/50 Hertz/1 or 3 Phase; 40 Amp
	M412408P	Circuit Breaker	35 pound models; 230 Volt/50 Hertz/1 or 3 Phase; 50 Amp
7	M412367	Finger Guard	
8	M412369	Door Interlock	
9	M412694	Din Rail	2 inches; Models starting Serial No. 0303016595
10	501086	Screw	2 required; Models starting Serial No. 0303016595
11	70121001	End Stop	2 required; Models starting Serial No. 0303016595
12	M412632	Terminal Block	2 required; Models starting Serial No. 0303016595
13	M412633	End Barrier	
14	70133901	Electrical Box Access Cover	
15	70058501	Pop Rivet	
16	51780	Screw	
17	70268001	Handle	
18	70294401	Fuse Label	Models starting Serial No. 0303016595
19	70294601	Fuse Cover	Models starting Serial No. 0303016595
20	N/A	Disconnect Switch Gasket	
21	M412371P	Extension Handle	100 Amp
22	M412186	Mounting Switch Base	100 Amp
23	M402917	Screw	
24	M411283	Ground Lug Connector	
25	70293201P	Electric Contactor	2 required for models starting Serial No. 0303016595
	M4919P3	Electric Heater Contactor Kit	2 required for models through Serial No. 0303016594
26	M414104	Fuse	Models starting Serial No. 0303016595
27	502591P	Fuse Holder Kit	Models starting Serial No. 0303016595
	502811	Fuse Carrier	Models starting Serial No. 0303016595
28	70294801	Fuse Holder Bracket	Models starting Serial No. 0303016595
29	M412534	Relay	Models starting Serial No. 0303016595

N/A = Part no longer available

Accessory Box - CE Electric Models - 380 Volt and Higher



TMB2188P_70275601

Accessory Box - CE Electric Models - 380 Volt and Higher

REF	PART NO.	DESCRIPTION	COMMENTS
	70139401	Power Harness Assembly	
	70138801	Jumper Assembly	6 gauge; 8 inches; 3 required for 3 Phase
1	N/A	Disconnect Switch Gasket	
2	M412371P	Extension Handle	100 Amp
3	M412186	Mounting Switch Base	100 Amp
4	M402917	Screw	
5	M411283	Ground Lug Connector	
6	51780	Screw	
7	M4919P3	Electric Heater Contactor Kit	
8	M412407P	Circuit Breaker	380-415 Volt/50 Hertz/3 Phase; 8 Amp
9	N/A	Din Rail	
10	M413934	Jumper Cable Assembly	8 inches; 3 required for 380 or 415 Volt/3 Phase models
11	430497	Screw	
12	44014901P	Power Distribution Block Cover	
13	M413865	Terminal Block	380-415 Volt/50 Hertz/3 Phase
14	M412367	Finger Guard	
15	M412369	Door Interlock	
16	70133901	Electrical Box Access Cover	
17	70058501	Pop Rivet	
18	51780	Screw	
19	70268001	Handle	

N/A = Part no longer available

Parts Index

A

Adapter	
70131901	71
Adhesive	
511637P	49
Adjustable Buzzer	
505447	15
Air Filter	
70036001	75
Airflow Switch	
70267301	61
Airflow Switch Bracket	
70266301	61
Airflow Switch Cover	
70281801	61
Airflow Switch Kit	
70270901P	61
Airflow Switch Vane	
70266201	61
Axial Plate	
70194501	57

B

Baffle	
70022301	51
Baffle Gasket	
70015701	51
70015702	51
70015703	51
Bearing Housing Bracket	
70021401	67
Belt	
70276202P	57
70276203P	57
70276205P	57
Belt Tension Tool Kit	
M4853P3	57
Blower Assembly	
70359801P	59
Blower Housing Scroll	
70016301	59
Blower Motor	
70337501P	59
70342601P	59
Blower Motor Kit	
70337701P	59
Blower Motor Mounting Plate	
70012001	59
Bolt	
70062401	57, 59
70392801	49
Bumper Pad	
56128	77, 79
Burner Grill	
70188801	63, 65
Burner Orifice	
M400997	69

M400998	69
M401000	69
M401002	69
M401003	69
M401007	69
M401011	69
M401014	69
M401015	69
M402980	69
M402995	69
M402996	69
M403017	69
M406184	69
M406361	69
M411373	69
M411374	69
M411375	69
M411376	69
M411511	69

Bushing	
70027701	57

C

Cable Heater Assembly	
70138601P	73
70138701	73
Cam and Hinge Kit	
M4772P3	39
Card Reader	
39685P	21
Card Reader and Bracket Assembly	
510068P	25, 33
Card Reader Harness Assembly	
431613	21
70211801	33
Card Reader Network Harness Assembly	
70206601	33
Card Reader Overlay	
70334201	27
70334301	27
Center Cylinder Seal Assembly	
70066003	49, 51
70066004	49, 51
Circuit Board Support	
34896	7, 11
Circuit Breaker	
M412401	93
M412402	93
M412406	93
M412407P	95
M412408P	93
Clevis Pin	
70389201	75
Clip	
70226701	51
Coil Booster Kit	
M4793P3	89, 93
Coil Spring	
M402455	9

N/A items do not appear in index.

Coin Carrier Spring M405138A.....	9	Control Harness Assembly 70055801P	19, 21
Coin Chute Assembly 70296401	51	Control Kit M414049P	19, 21
Coin Cover Overlay 70246301	23	505905P	31, 33
Coin Drop 38963P	29	70228401P	17
39748	29	Control Panel 70121301B	43
70256402P	29	70121301*	43
70441601P	29	70121302	43
Coin Drop Assembly 210195	29	70121305*	43
210196	29	70121306	43
38462P	29	70121501B	43
38463	29	70121501*	43
38464P	29	70121502	43
38467	29	70273301*	43
38472	29	70273302	43
38475	29	70273303*	43
38519	29	70273304	43
38521	29	70273401*	43
39157	29	70273402	43
44039701P	15	70273403*	43
44039702	15	70273404	43
44039703	15	Control Panel Harness 70179801	7
44039704	15	70179901P	11
44039705	15	70271401	15
44039706	15	70271501	15
44039707	15	70279801	13
70283102	29	70364701P	13
70441602	29	Control Panel Harness Assembly 70082701P	19, 21
Coin Drop Kit CK077	29	70082801P	17
Coin Drop Overlay 39564	23	70082901	17
Coin Identification Paper 38725	29	70206301P	23, 25, 27, 31, 33
Coin Meter M412546	9	70235801	23, 25, 27, 31, 33
70112501P	9	70280901	13
70112701P	9	70364801P	13
70137301P	9	Control Panel Kit 70121401*P	43
70137401P	9	70121402P	43
70138401P	9	70121601*P	43
70151301	9	70121602P	43
70262401	9	Control Plate Assembly 44040901	15
Coin Meter Drive M400754	9	44041001	15
Coin Retainer Spring M406297	9	70175801	19
Coin Vault Assembly 70180101	51	70175802	21
Coin Vault Harness Assembly 70083801	51	70175803	11
Coin Vault Trim 70117501	45	70175804	7
70117502	45	70175805	17
Communication Board 210095P	37	70175806	17
Communication Wire Harness Assembly 800246	37	70175807	23, 31
Contact Block 44018701	47	70348801	25, 27, 33
Control Assembly 511867P	23, 25, 27	Control Plate Kit 44050701P	13
		70291001P	25
		Control Tray Harness Assembly 70083001P	77, 79, 81, 83, 85, 87
		Control Trim 44016301	43
		44016401	43
		Cylinder Bearing Stud Plate 430351	49
		Cylinder Bearing Stud Plate Assembly 430352	49

N/A items do not appear in index.

Cylinder Guide Tool 263P4	49
Cylinder Motor Harness Assembly 70083701	57
Cylinder, Trunnion and Seal Kit 70221901P	49
70221902P	49
70222001P	49
70222002P	49
70222101P	49
70222102P	49

D

Damper and Hinge Exhaust Assembly 70209501	59
Damper Spacer 70220901	59
Data Connector, 3 Circuit 210155	37
Din Rail M412693	93
M412694	89, 93
Door Assembly 44046701	39
44058001P	39
70176503	39
70212200	39
70212300	39
Door Catch Assembly 514113	55
Door Glass M400784P	39
70133601P	39
Door Glass Installation Tool M4221P4	39
Door Glass Seal Kit 70211901P	39
Door Handle M400133	39
430117	39
44007902P	39
44057701	39
Door Handle Wedge 510129	55
Door Hinge 70115901*	39
70115902	39
70116003*	39
70116004	39
Door Hinge Lug Assembly 44035001	39, 55
Door Interlock M412368	79, 83
M412369	93, 95
Door Latch M401223	45
Door Pull and Wedge Kit 510103*P	55
Door Ring and Handle Assembly 44043501	39
Door Ring Gasket 70296801	39

Door Strike 510181	55
Door Switch 70125101	45
Door Switch Actuator Kit 70215001P	39
Door Switch Bracket 70119301	45
Drive Access Cover 70144601	59
Drive Motor 70337801P	57
70338101P	57
Drive Motor Harness 70053601P	57
Drive Motor Kit 70337901P	57
70338001P	57
Drywall Screw Magnet Kit 70343101P	49

E

Elbow 70079601	71
70208701	69
Electric Contactor 70293201P	89, 93
Electric Harness 70293101	89, 93
Electric Heater Contactor Kit M4919P3	89, 91, 93, 95
Electrical Box Access Cover 70133901	93, 95
Electronic Coin Control Kit M4686P3	19
Electronic Coin Drop Assembly 70294103P	29
70294104	29
70294105P	29
70294106	29
70294107	29
70294110	29
70294116	29
Electronic Coin Drop Harness 44065801	29
Electronic Coin Drop Kit CK099	29
CK100	29
CK101	29
CK103	29
CK108	29
CK109	29
CK113	29
CK115	29
CK116	29
CK117	29
CK118	29
CK502	29
Electronic Control 44037801P	15
Electronic OPL Control Kit M4689P3	17
M4695P3	17

N/A items do not appear in index.

Emergency Stop Harness 70364102	47
Emergency Stop Label M412235	47
Emergency Stop Switch Harness Assembly 70083901	47
End Barrier M412633	89, 93
End Cap 70070101	49
End Cover 70121101	79, 83, 87
End Stop 70121001	79, 83, 87, 89, 93
Exhaust Thimble 70015601	59
70017801	59
Expansion Clip 70030501	45
Extension Handle M412370	79, 83
M412371P	93, 95

F

False Front 70000501*P	41
70000502	41
70021101*P	41
70024202P	41
False Front Assembly 70021102P	41
70024001*P	41
70024002P	41
70024201*P	41
Fan Contactor M413614P	77, 79, 81, 83, 85, 87
Fan Motor Harness Assembly 70083401	59
70083501	59
Ferrite Core Assembly M413930P	17, 77, 79, 81, 83, 85, 87, 89, 91
Finger Guard M412366	79, 83
M412367	93, 95
Flat Top 70000301	51
70018601	51
Front Panel Assembly 70176201*P	41
70176202P	41
70176203*P	41
70176204P	41
70176205LP	41
70176206P	41
70176207*P	41
70176208	41
70176210	41
70176301*P	41
70176302	41
70176303*	41
70176304	41
70176305*P	41
70176306	41

70176307*P	41
70176308	41
70176309*	41
70176310P	41
Front Panel Insulation 70155301	45
70155401	45
Front Panel Seal 70173401P	41
Fuse M413118	77, 81, 85
M413621	77, 79, 81, 83, 85, 87
M413867	79, 83, 87
M413889	79, 83, 87
M414104	93
M414232	77, 79, 81, 85
M414240	77, 79, 81, 89
70406501	17, 23, 25, 27, 31, 33, 83
Fuse Bracket 70123801	77, 81, 85
70123901	79, 83, 87
70124001	79, 83, 87
Fuse Carrier 502811	93
Fuse Cover 70294601	89, 93
Fuse Holder M413544P	77, 79, 81, 83, 85, 87
Fuse Holder Bracket 70294001	89
70294801	93
Fuse Holder Kit 502591P	79, 83, 87, 93
Fuse Label 70294301	89
70294401	93
Fuse Receptacle 91024P	77, 81, 85, 89

G

Gas Burner 70229801P	63
Gas Line Assembly 70271201	69
Gas Shut-Off Valve M412562P	71
Gas Valve 44154501P	69
44154502P	69
Gas Valve Bracket 70429801	69
Gas Valve Coil 70260101	71
Gas Valve Cover 70271101	69
Gas Valve Harness Assembly 70184001	71
Gasket 70247601	55
Graphic Overlay 44050401	13
44050501	13
44050502	13

N/A items do not appear in index.

Ground Lug Connector M411283	89, 91, 93, 95
---------------------------------------	----------------

H

Hairpin Cotter 70389301	75
Handle M412208	79, 83
70268001	93, 95
Handle and Caps Assembly 70154401	53
70154402	53
70154403	53
70154404	53
Harness Assembly M412997	69
Harness Strap 55881	65
Heater Element 70034401P	73
70034402P	73
70034403P	73
70034404P	73
70034405P	73
70034406P	73
70034413P	73
70034414P	73
70034415P	73
70034416P	73
High Voltage Lead 70006201	77, 79
Hinged Door 70267701*P	55
Hold-Down Clip 35865	51
Hole Plug 44024201	39
70063201	51

I

Idler Pivot Bracket 70200901	57
Idler Wheel Assembly 70050401P	57
Igniter Cover 70159601	63
Ignition Control 70367301P	77
70367401P	77, 79
Ignition Control Harness 70083301P	77, 79
Ignition Control Harness Assembly 70083201	77
Indicator Light 70082201	7, 11
Insulator M413862	77, 81, 85

J

Jumper Adapter Harness Assembly 70142501	85, 87
Jumper Assembly 70138801	93, 95
70138901	89, 93
70139001	89
70139101	85
Jumper Bar 70066501	73
Jumper Bypass Assembly 70084001	25, 27, 51
Jumper Cable Assembly M413933	89, 93
M413934	91, 95
M414121	89, 93
Jumper Calibration Assembly 70084201	19, 21
70084301	17
70084303	17
70211701	23, 25, 27, 31, 33
70211702	23, 25, 27, 31, 33
Jumper Configuration Assembly M413507	77, 79, 81, 83, 85, 87
M413510	77, 79, 81, 83, 85
70084101	7, 11
70084102	7, 11
Jumper Disconnect Assembly 70120901	79, 83
Jumper Harness 44129201P	85
Jumper Harness Assembly M413504	77, 81
M413505	77, 81, 85
M413506	77, 79, 81, 85
M413508	77, 79, 81, 83, 85, 87
M413509	77, 79, 81, 83, 85, 87
70294501	89, 93
Jumper Set Assembly 44042701	15
44042801	15
Jumper Wire Assembly M412645	23

K

Key 70144101	59
70155601	43
70155602	45
Kickplate 70117601	53
70117602	53
70117603	53
70117604	53
Knob M410927	11
44020501	7, 11

N/A items do not appear in index.

L

Leveling Leg	
34319	51
Limit Thermostat	
M409219	63, 65
M409433	73
M409443	73
M410542	63, 73
M411307	59
510701	65
70299001	65
Lint Panel Assembly	
70176601*P	53
70176602P	53
70176604	53
70176605*	53
70176606	53
70176608	53
70176701QP	53
70176702P	53
70176704	53
70176705*	53
70176707*	53
Lint Panel Gasket	
70289101P	53
Lint Panel Switch Bracket	
70277301	51
Lint Screen	
70290401	51
Lint Screen Clip	
70054501	51
Lint Switch Bracket Assembly	
70283701	55
Lock, Key and Nut Kit	
44089301P	43
44089302P	45
L.P. Conversion Kit	
M4699P3	69
M4703P3	69
M4706P3	69
M4711P3	69
L.P. Valve	
70457302P	71

M

Main Interlock Harness	
70277801	51
Male Tab Terminal	
00177	13, 15
Manual Reset Thermostat	
M411941	63
M411945	59
70186301	63, 65
Manual Timer Control Kit	
M4690P3	11
Membrane Switch	
44037901P	15
44039402P	15
Motor Bracket Spring	
70051401	57

Motor Pivot Shaft	
70187801	57
Motor Pulley	
70284201	57
70284202	57
70284203	57
70284204	57
Mounting Bracket	
70063501	17
70080701	7, 11
70178901	7, 11
Mounting Plate	
70208801	25, 27, 33
Mounting Switch Base	
M412186	93, 95
M412187P	79, 83
Multiplier Harness Assembly	
431611	19

N

Nameplate	
44046801	43
44046901	43
44046903	43
44062901	43
44063001	43
44063002	43
44063003	43
44104301	43
44104302	43
44104303	43
70243901	43
Nameplate Bezel	
70117401	43
Nameplate Overlay	
70115601	43
70128301	43
70240801	43
Network Board Assembly	
210016P	35
Network Capacitor Assembly	
M413863	77, 79, 81, 83, 85, 87
Network Plug Support	
70201401	35
Network Wire Harness Assembly	
800217	35
Nut	
M400022	49, 59
M400034	49, 59
M400977	11
M400979	61
M414215	39
21899	51
23951	53
29786	13, 57
29787	13, 15
430576	51
44087201	49, 57, 59
44088801	43, 45
51236	53
56156	57, 59
70054	7, 11, 15, 17, 19, 21, 23, 25, 27, 31, 39, 73
70072901	45
70142	57

N/A items do not appear in index.

N.G. Valve	
70457301P	71

O

Opto Coupler	
200674P	29
Orifice Adapter	
70379301	69
Orifice Adapter Kit	
70391601P	69
Orifice Holder Bracket	
70248901	69
Orifice Keeper Bracket	
70249001	69
O-Ring	
431482	71
Overlay	
70113501	7
70113701	19
70114101	19
70114201	11
70114301	7
70114501	11
70115801	17
70128001	19
70128501	19
70128701	17
70129501	23
70129601	23
70130101	19
70130401	17
70130601	17
70130801	19
70131001	7
70134801	7
70134901	11
70173601	19
70184301	31
70184302	31
70184401	33
70239601	31
70239602	31
70245901	11
70257701	23
70257702	23
70257703	25, 27
70258001	23
70258002	23
70258003	25, 27
70259001	23
70261001	23
70261002	23
70261003	25
70261201	23
70261202	23
70266701	25
70266801	25
70275401	25
70286701	23
70321001	23

P

Panel	
70255801*P	55
Panel Locator	
56079	45, 53, 59
Partition Baffle	
70015201	51
70022001	51
70022101	51
PC Board Standoff	
210098	37
Pin	
70071401	39
Pipe Clip	
70203701	65
Pipe Nipple	
431486	69, 71
70139601	71
Pop Rivet	
M400003	45
M405750	69
70058501	49, 51, 75, 89, 93, 95
70126301	53
70126401	53
Power Buss Harness	
70292901	89, 93
Power Distribution Block Cover	
44014901P	93, 95
Power Harness Assembly	
70120201P	77, 79, 81, 83, 85, 87
70139401	91, 95
Power Wire Harness Assembly	
70055901P	77, 79, 81, 83, 85, 87
Primary Air Adjustment Sleeve	
70239801	71
Pushbutton	
44018801	47
Pushbutton Switch	
M413431	77, 79
70413301	19, 21, 23, 25, 27, 31, 33, 45, 51

R

Rear Cylinder Bearing Housing	
70013901	49
Rear Cylinder Channel	
70257101	49
70257301	49
Rear Cylinder Channel Plate	
70257201	49
70257401	49
Rear Cylinder Seal	
70013701P	49
70013702	49
Rear Cylinder Seal Support	
70015301	49
70017201	49
Rear Limit Harness	
70297001	65
Relay	
M412534	11, 13, 15, 17, 89, 93

N/A items do not appear in index.

70210901P.....	77, 81, 85
Relay/Buzzer Bracket	
44041701	13, 15
Replacement Door Handle Kit	
70133501P.....	39
Retaining Ring	
70023601	51
Return Spring	
M405138B.....	9
Roller Bearing Assembly	
70298701P.....	51
Roller Catch Arm	
70030301	53
Roller Catch Spacer	
70030201	53
Roller Catch Wheel	
70297601	53
Roller Shaft	
70017701	51
Rotary Coin Drop Control Kit	
M4688P3.....	7
Rotary Drop Shroud	
70061701	7
Rotation Sensor Bracket	
44044401	67
Rotation Sensor Cable Assembly	
70274101	67
Rotation Sensor Cover	
44044301	67
Rotation Sensor Kit	
7009P.....	67

S

Screw

M400661	39
M401938	45, 61
M402797	11, 13, 15, 17
M402917	77, 79, 81, 85, 87, 89, 91, 93, 95
M405188	65
M405824	77, 81, 85
M409385	39
M411072	59, 81, 83, 85, 87
M412985	57
05161	63
23222	71
33562	77, 79
38272	77, 79
39733	45, 53, 57, 89, 91
430497	35, 45, 49, 51, 59, 63, 65, 69, 71, 73, 79, 81, 83, 85, 87, 89, 91, 93, 95
430648	57
430756	39
430757	39, 53
44023301	39
44041301	11
501086	89, 93
501524	19, 21, 23, 25, 27, 31, 33, 39
51778	77, 81, 85
51780	61, 63, 77, 79, 83, 93, 95
61199	39
62588	49
70033502	39
70033504	55
70072801	53

70118801	77, 79, 87
70126101	59
70132301	45, 53
70153301	67
Secondary Stove Limit Kit	
70299101	59, 65
Shadow Box Clip	
M400972	7, 43
Side Panel	
70253801*P.....	51
70253901*P.....	51
Side Panel Assembly	
70021501*P.....	51
Sleeve	
44050601	13
Slot Card Plate Assembly	
44089501	27
Snap Bushing	
M400770	69
Solenoid Valve DIN Connector	
70370301P	75
Spark Electrode	
70032801P	63
Spud Adapter	
70223501	71
Start Switch	
70108501	7, 11
Steam Coil	
70231301P	75
Steam Filter Holder	
70369301	75
Steam Jumper Assembly	
70113101	81, 83
Steam Solenoid	
70351011P	75
70351012	75
Steam Valve	
F8322903	75
70351001P	75
Steam Valve Coil	
M412258	75
70205701P	75
Steam Valve Harness Bracket	
70369401	75
Steam Valve Rebuild Kit	
M412259	75
70351021P	75
Steam Valve Wiring Cover	
70369501	75
Stove Back	
70297401	65
Stove Grill	
70214901	73
Street Elbow	
H86070034	69
Support Bearing	
70448701	49
Support Bracket Assembly	
70283801	55
Switch	
M400947	9
Switch Assembly	
70413401	55

N/A items do not appear in index.

T

Temperature Kit	
70475001P	7, 11
Terminal Block	
M412632	89, 93
M413865	89, 91, 93, 95
430642	77, 81, 85
70120001	79, 83, 87
Thermistor	
M414704	59
Thermistor Cover	
70112801	65
Thermostat Bracket	
70137801	75
Thermostat Cover	
70139901	75
Thermostat Module	
431347P	7, 11
Timer	
M412079P	11
70131701P	11
70131801P	11
Timer Control Assembly	
70175301P	7, 11
Timer Knob	
70082101	11
Timer Motor	
70218201	9
70218301	9
Timing Cam	
M400732P	9
M400733P	9
M400734P	9
M400735P	9
M400736P	9
M400737P	9
M400738P	9
M400739P	9
M400740P	9
M400741P	9
Transformer	
M414228P	77, 79, 81, 83, 85, 87
M414229P	77, 79, 81, 83, 85, 87
M414230P	77, 81
M414312P	77, 81
Trunnion and Seal Kit	
M4960P3	49
M4961P3	49
Tumbler Dolly Kit	
M4379P4	53

U

U-Bolt	
70186101	57
U-Bolt Plate	
70186601	57
Union	
H86000031	71

V

Valve Bracket and Cover Kit	
M4747P3	65

W

Washer	
F430311	45
M400080	49
M400991	49, 59
M405535	7
Wire Guard	
201595P	29
