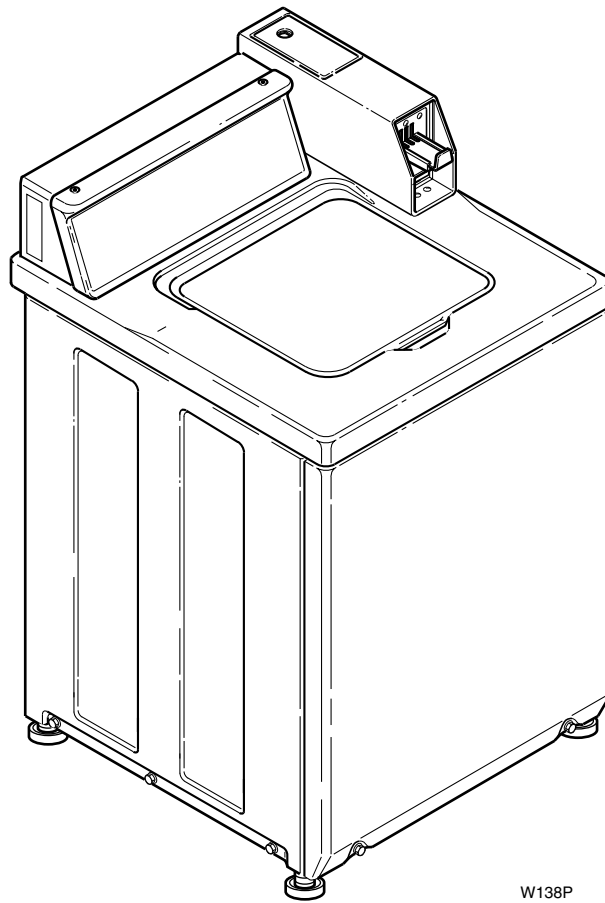


Automatic Washers

Metered and Nonmetered
Refer to Page 3 for Model Numbers



W138P

Table of Contents

Title	Page
Parts Ordering Information	2
Nameplate Location	2
Model Identification	3
Timer, Meter Case and Service Door	4
Timer, Meter Case and Service Door	6
Timer, Case and Plate	8
Control Panel, Control Hood and Controls	10
Control Panel, Control Hood and Controls	12
Control Panel, Control Hood and Controls	14
Control Panel, Control Hood and Controls	16
Control Panel, Control Hood and Controls	18
Cabinet Top and Loading Door.....	20
Cabinet Top and Loading Door.....	22
Loading Door and Out-of-Balance Switch	24
Loading Door and Out-of-Balance Switch	26
Inlet Hose, Filler Hose, Back Flow Preventer and Mixing Valve Mounting Bracket.....	28
Inlet Hose, Filler Hose, Back Flow Preventer and Mixing Valve Mounting Bracket.....	30
Mixing Valve Assembly.....	32
Motor, Mounting Bracket, Belts and Idler Assembly	34
Agitator, Drive Bell, Seal Seat, Washtub and Hub.....	36
Agitator, Drive Bell, Seal Seat, Washtub and Hub.....	38
Outer Tub, Cover and Pressure Hose	40
Outer Tub, Cover and Pressure Hose	42
Bearing Housing, Brake, Pulley and Pivot Dome	44
Transmission Assembly and Balance Ring	46
Components for Transmission Assembly	48
Pump Assembly, Bracket, Hoses and Siphon Break Kit.....	50
Front Panel, Cabinet and Base Assembly	52
Power Cord and Terminals	54
Special Tools	56
Special Tools	58
Wire Harnesses and Wires	60
Parts Index.....	61

© Copyright 2002, Alliance Laundry Systems LLC

All rights reserved. No part of the contents of this book may be reproduced or transmitted in any form or by any means without the expressed written consent of the publisher.

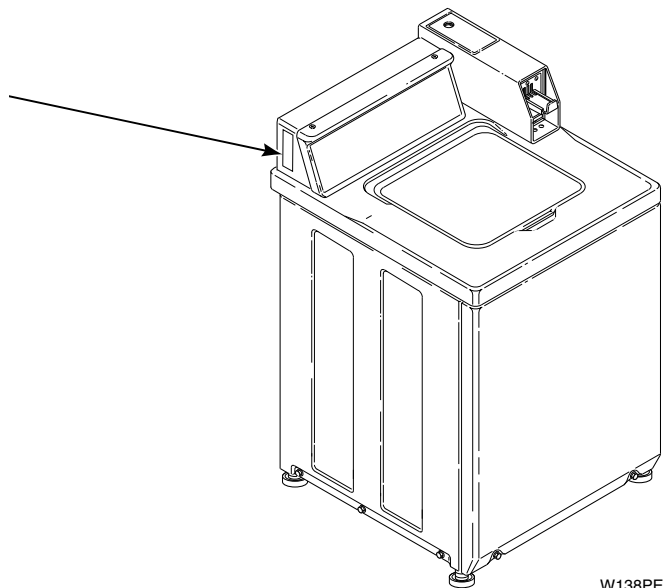
Parts Ordering Information

If literature or replacement parts are required, contact the source from whom the machine was purchased or contact Alliance Laundry Systems at (920) 748-3950 for the name and address of the nearest authorized parts distributor.

For technical assistance, call (920) 748-3121.

Nameplate Location

When calling or writing about your product, be sure to mention model and serial numbers. Model and serial numbers are located on nameplate(s) as shown.



W138PE3E

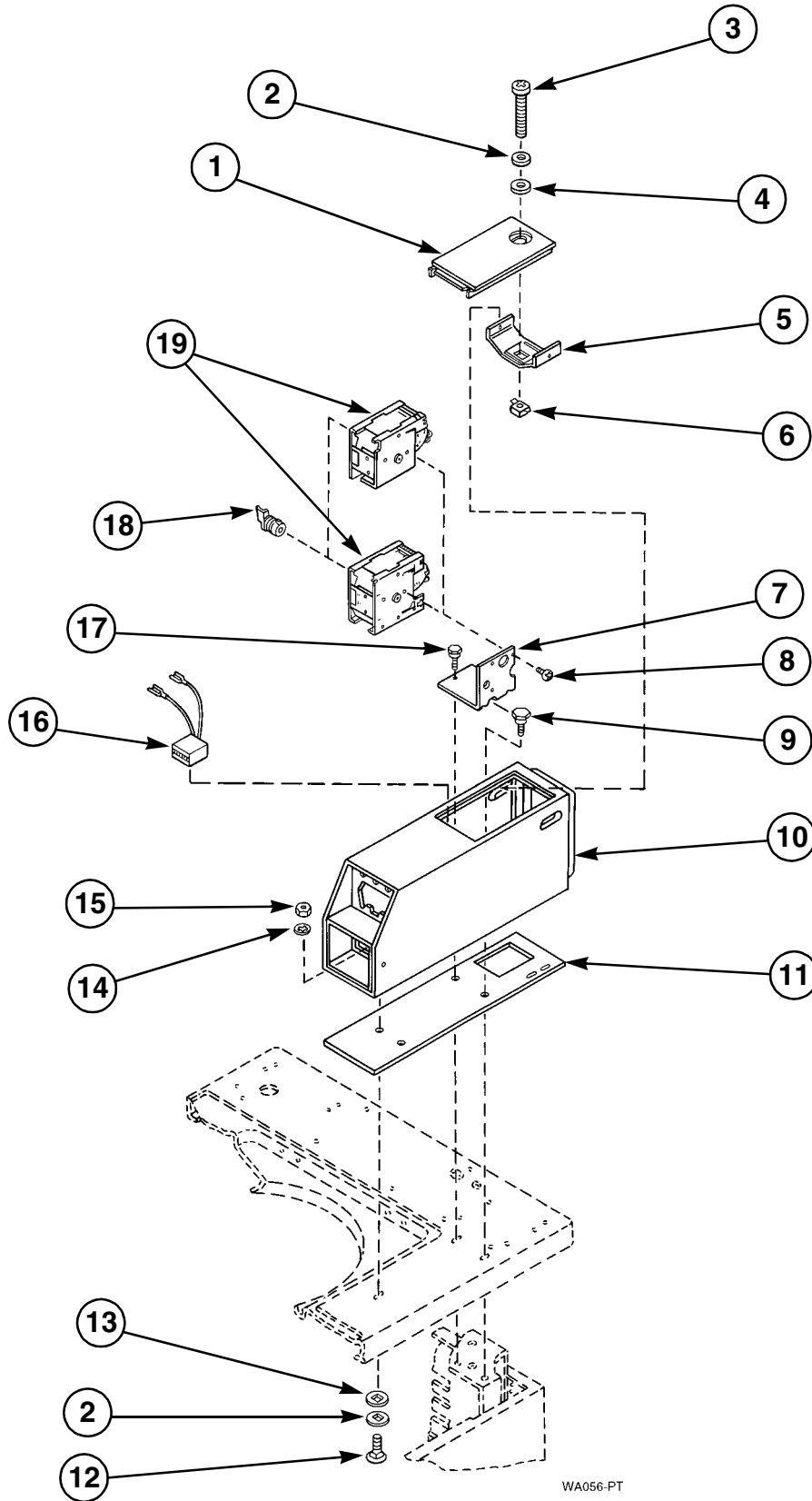
Model Identification

Information in this manual is applicable to these washers:

Model Numbers	Electronic Models	Card Models	Metered Models	Nonmetered Models	One Speed Motor	Two Speed Motor	Porcelain Washtub	Stainless Steel Washtub
EE1010				X	X		X	
EA1011, EA1011G				X	X			X
EA1020, EA1020G				X		X	X	
EA1021, EA1021G				X		X		X
EA1110, EA1110P, EA1110T, EA1210, EA1210G, EA1710			X		X		X	
EA1111, EA1111P, EA1111T, EA1211			X		X			X
EA1120, EA1120P, EA1120T, EA1220, EA1220G, EA1220P, EA1220T			X			X	X	
EA1121, EA1121P, EA1121T, EA1221, EA1221G, EA1721			X			X		X
EA1310, EA1310G	X				X		X	
EA1311, EA1311G	X				X			X
EA1420		X				X	X	
EA1421		X				X		X
EA1510G, EA1610			X		X		X	
EA1520, EA1520G, EA1520P, EA1520T, EA1620			X			X	X	
EA1521, EA1521G, EA1621			X			X		X

Timer, Meter Case and Service Door

Models EA1110, EA1111, EA1120, EA1121, EA1210, EA1211, EA1220, EA1221, EA1510, EA1520 and EA1521



WA056-PT

Timer, Meter Case and Service Door

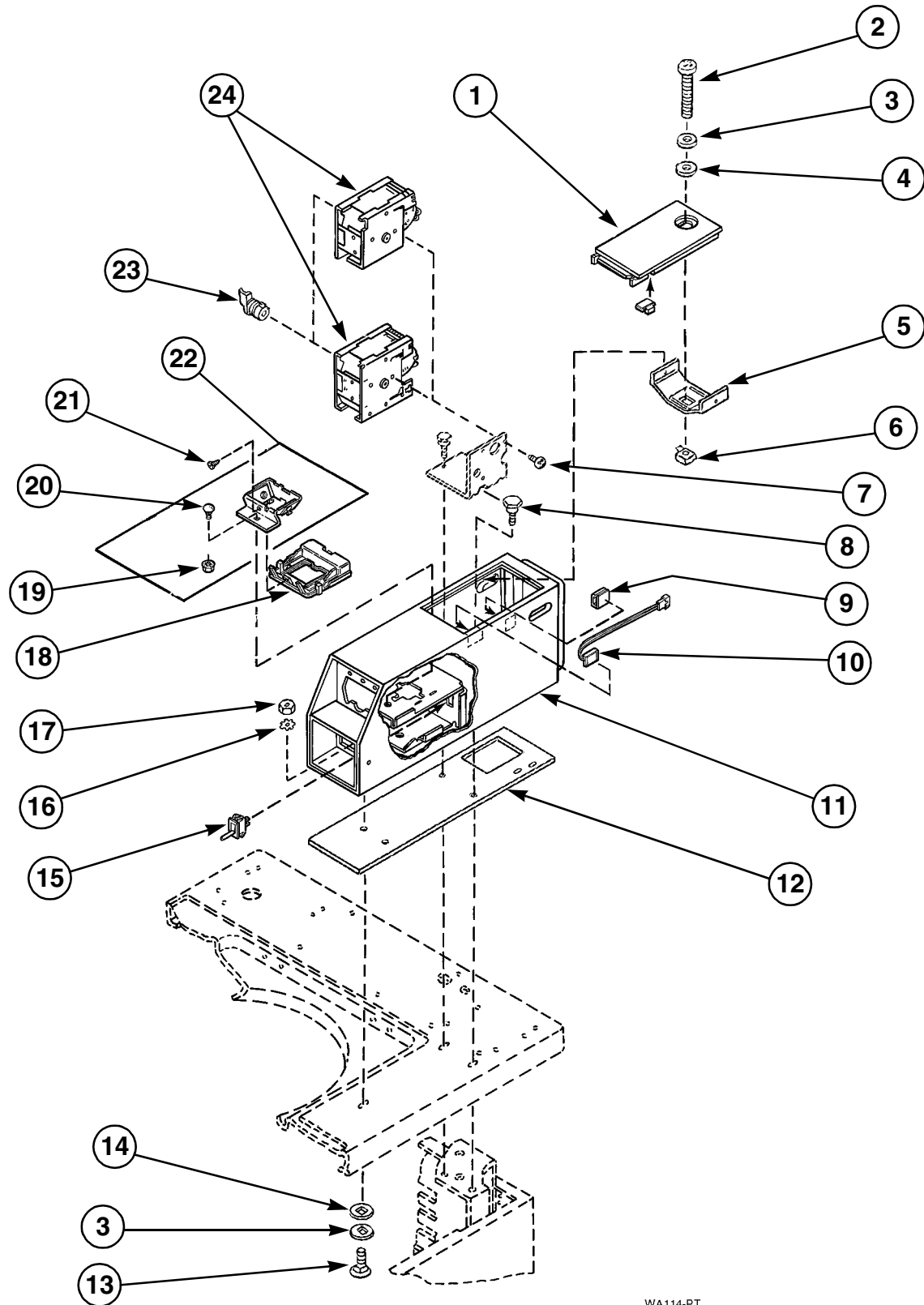
Models EA1110, EA1111, EA1120, EA1121, EA1210, EA1211, EA1220, EA1221, EA1510, EA1520 and EA1521

REF	PART #	DESCRIPTION	COMMENTS
1	35798*	Service Door	
2	35917	Washer	Metal
3	503673	Screw	
4	35774	Washer	Vinyl
5	30642	Locking Bracket	
6	30647	Retainer Nut	
7	35249	Timer Bracket	
8	21720	Screw	
9	502431	Shoulder Screw	
10	524P3*	Meter Case Kit	Includes items 11 and 12
11	26354	Meter Case Gasket	
12	02505	Carriage Bolt	
13	30627	Washer	
14	21456	Lockwasher	
15	20275	Nut	
16	62113P	Counter Kit	Models EA1510, EA1520 and EA1521
17	36048	Screw	
18	29503	Clutch	
19	31111P	Timer	Models EA1110, EA1111, EA1120 and EA1121
	34601P	Timer	Models EA1210, EA1211, EA1220 and EA1221
	34602P	Timer	Models EA1510, EA1520 and EA1521

* Add Letter to Designate Color. L - Almond W - White H - Harvest Gold (No longer available)

Timer, Meter Case and Service Door

Models EA1610, EA1620, EA1621, EA1710 and EA1721



WA114-PT

Timer, Meter Case and Service Door

Models EA1610, EA1620, EA1621, EA1710 and EA1721

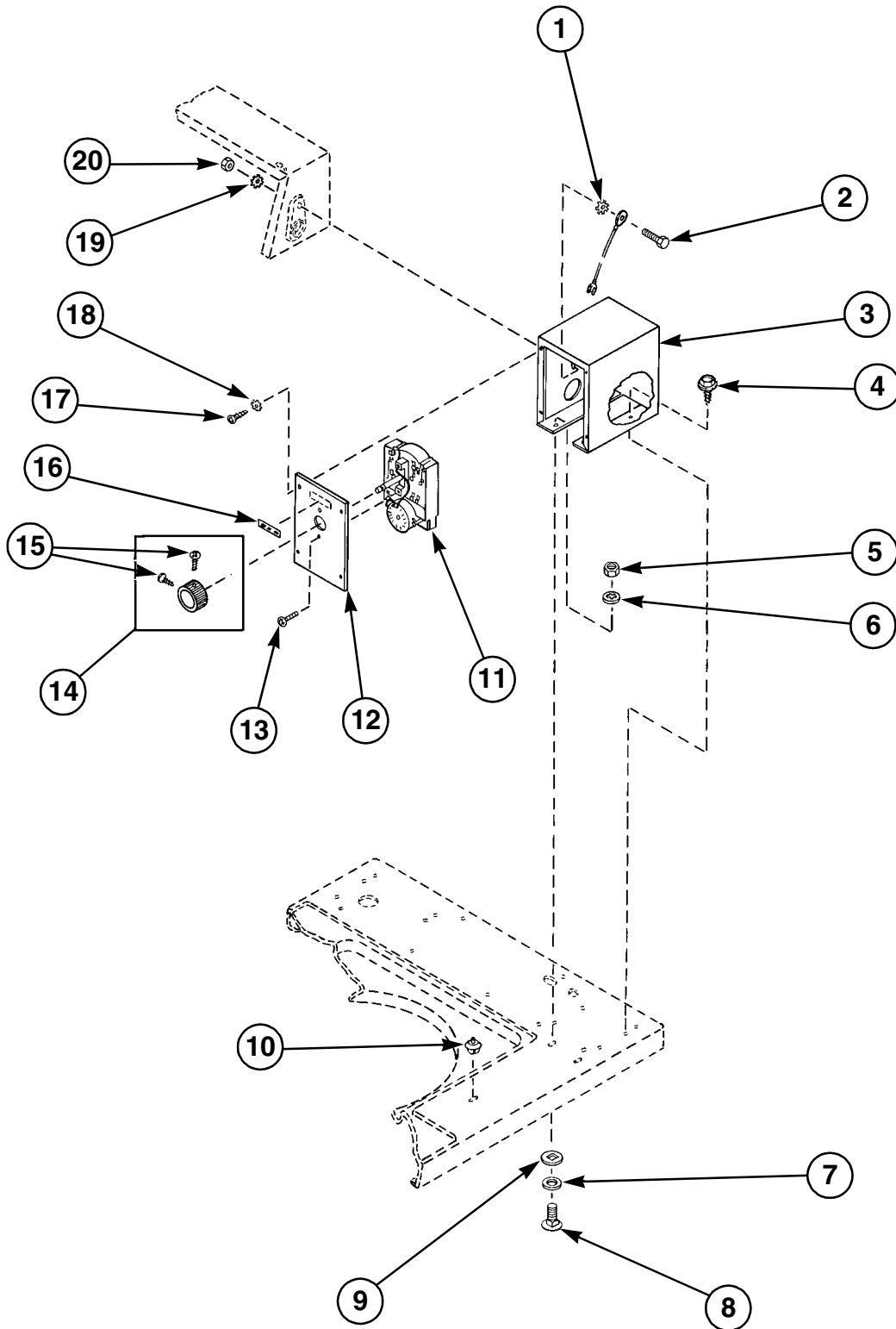
REF	PART #	DESCRIPTION	COMMENTS
1	35798*	Service Door	
2	503673	Screw	
3	35917	Washer	Metal
4	35774	Washer	Vinyl
5	30642	Locking Bracket	
6	30647	Retainer Nut	
7	21720	Screw	
8	502431	Shoulder Screw	
9	N/A	Wire Harness Clip	
10	34599	Switch	
11	524P3*	Meter Case Kit	Includes items 12, 13 and 22
12	26354	Meter Case Gasket	
13	02505	Carriage Bolt	
14	30627	Washer	
15	34536	Switch	
16	21456	Lockwasher	
17	20275	Nut	
18	35026	Sensor Control	
19	29796	Nut	
20	29651	Carriage Bolt	
21	31260	Screw	
22	523P3	Coin Funnel Kit	
23	29503	Clutch	
24	34602P	Timer	Models EA1610, EA1620 and EA1621
	N/A	Timer	Models EA1710 and EA1721

* Add Letter to Designate Color. L - Almond W - White H - Harvest Gold (No longer available)

N/A = Part no longer available

Timer, Case and Plate

Models EA1010, EA1011, EA1020 and EA1021



W003PT

Timer, Case and Plate

Models EA1010, EA1011, EA1020 and EA1021

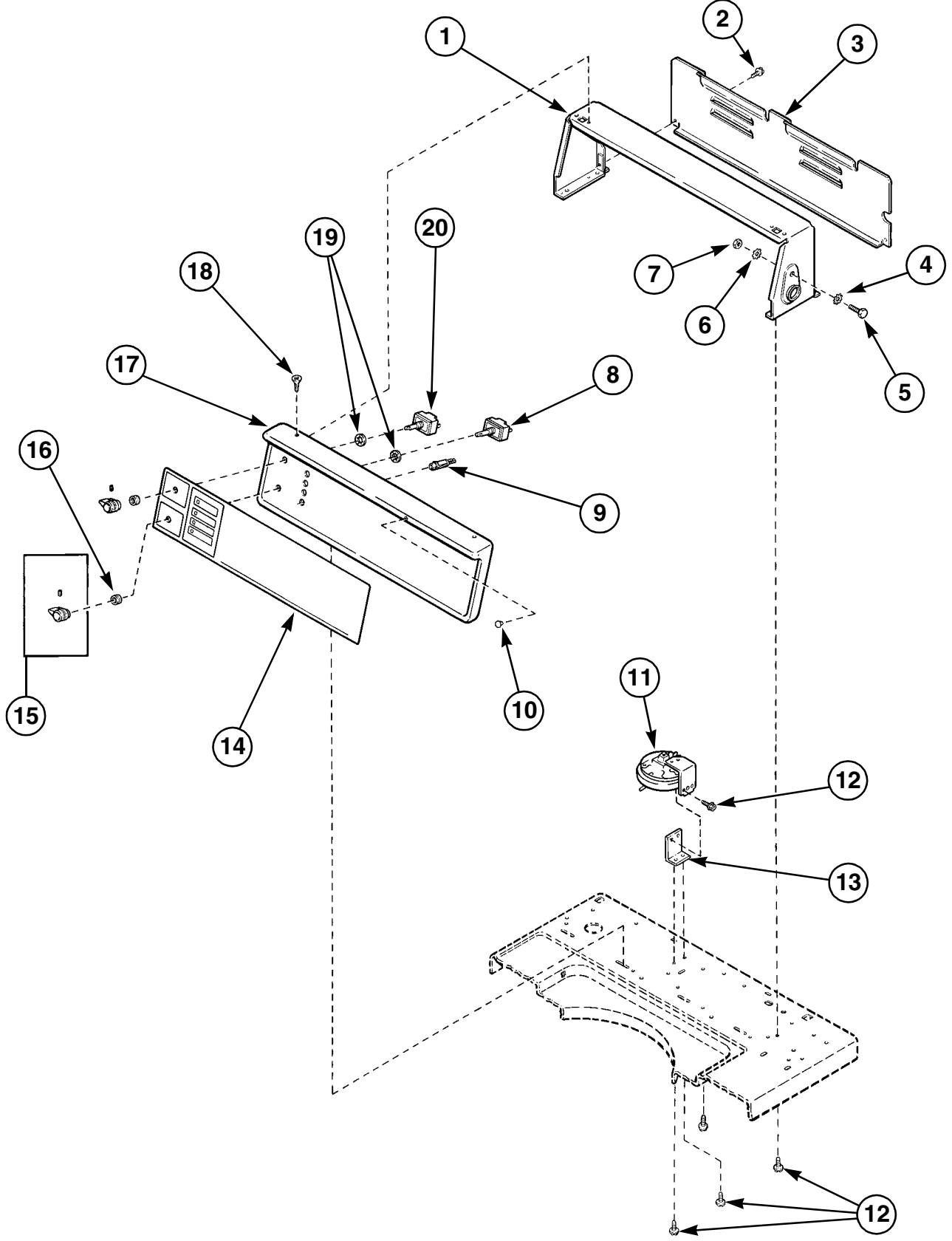
REF	PART #	DESCRIPTION	COMMENTS
1	M400017	Lockwasher	
2	02916	Screw	
3	37733*	Timer Case	
4	23962	Screw	
5	20275	Nut	
6	21456	Lockwasher	
7	35917	Washer	
8	02505	Carriage Bolt	
9	30627	Washer	
10	26351	Rivet	
11	N/A	Timer	
12	31864*	Timer Plate	
13	27328	Screw	
14	26256	Timer Knob Assembly	
15	80399	Screw	
16	53738	Sticker	
17	51778	Screw	
18	21734	Washer	
19	02431	Lockwasher	
20	20275	Nut	

* Add Letter to Designate Color. L - Almond W - White H - Harvest Gold (No longer available)

N/A = Part no longer available

Control Panel, Control Hood and Controls

Models EA1010, EA1011, EA1020, EA1021, EA1110, EA1111, EA1120, EA1121, EA1210, EA1211, EA1220, EA1221, EA1510, EA1520 and EA1521



WA057-PT

Control Panel, Control Hood and Controls

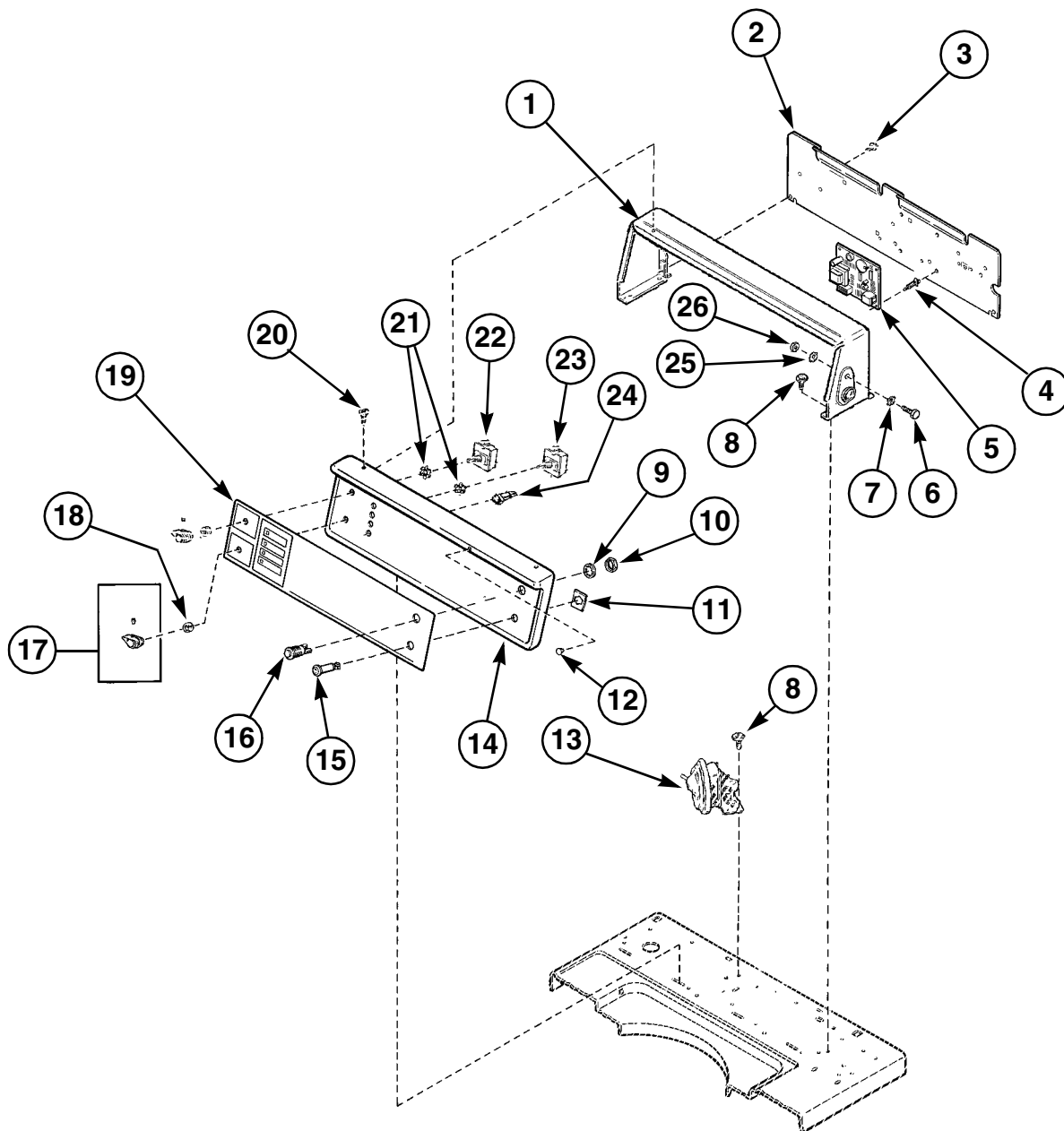
Models EA1010, EA1011, EA1020, EA1021, EA1110, EA1111, EA1120, EA1121, EA1210, EA1211, EA1220, EA1221, EA1510, EA1520 and EA1521

REF	PART #	DESCRIPTION	COMMENTS
1	37075*	Control Hood	
2	23222	Screw	
3	38267	Control Hood Rear Panel	
4	M400017	Lockwasher	
5	02916	Screw	
6	02431	Lockwasher	
7	20275	Nut	
8	27762	Speed Switch	2 speed models
9	32464	Indicator Light	Rinse/Spin; 4 required on models EA1010, EA1011, EA1020 and EA1021; 2 required on models EA1110, EA1111, EA1120, EA1121, EA1210, EA1211, EA1220, EA1221, EA1510, EA1520 and EA1521
	32463	Indicator Light	Unbalanced load; Models EA1110, EA1111, EA1120, EA1121, EA1210, EA1211, EA1220, EA1221, EA1510, EA1520 and EA1521
	32466	Indicator Light	In use; Models EA1110, EA1111, EA1120, EA1121, EA1210, EA1211, EA1220, EA1221, EA1510, EA1520 and EA1521
10	32648	Bumper	
11	28615	Pressure Switch	
12	23962	Screw	
13	31842P	Bracket	
14	32460	Control Panel Overlay	Models EA1010, EA1011, EA1110, EA1111, EA1210 and EA1510
	32472	Control Panel Overlay	Models EA1020, EA1021, EA1120, EA1121, EA1220, EA1221, EA1520 and EA1521
15	39897	Control Knob	
16	24205	Knurled Nut	
17	36521*	Control Panel Frame	
18	52864	Screw	
19	91176	Lockwasher	
20	81799	Temperature Switch	

* Add Letter to Designate Color. L - Almond W - White H - Harvest Gold (No longer available)

Control Panel, Control Hood and Controls

Models EA1610, EA1620, EA1621, EA1710 and EA1721



WA115-PT

Control Panel, Control Hood and Controls

Models EA1610, EA1620, EA1621, EA1710 and EA1721

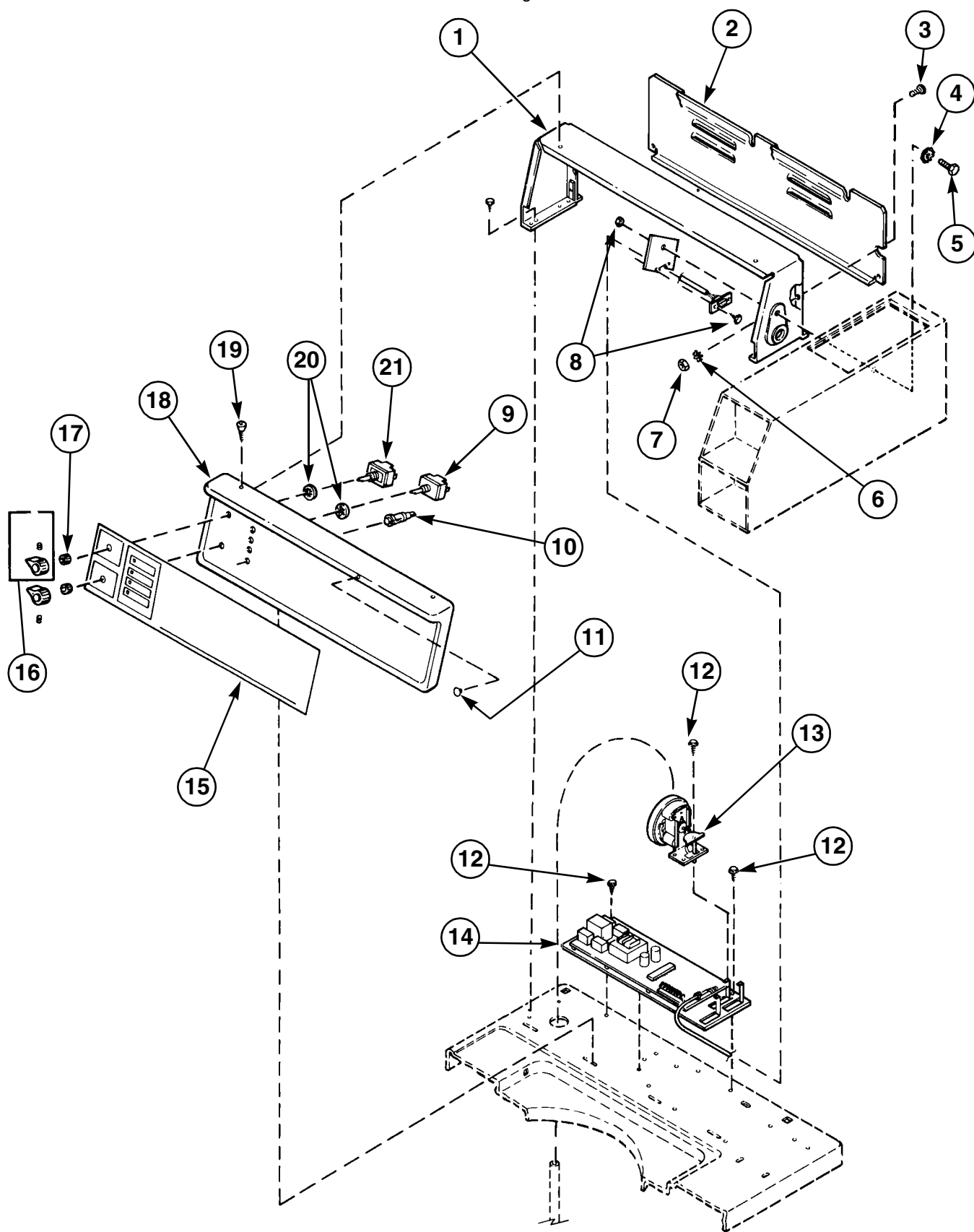
REF	PART #	DESCRIPTION	COMMENTS
1	37075*	Control Hood	
2	38267	Control Hood Rear Panel	
3	23222	Screw	
4	34896	Support	
5	34522	Control	
6	02916	Screw	
7	M400017	Lockwasher	
8	23962	Screw	
9	35321	Washer	
10	35322	Nut	
11	34762	Clip	
12	32648	Bumper	
13	28615	Pressure Switch	
14	36521*	Control Panel Frame	
15	34701	Transmit Light	
16	N/A	Transmit Switch	
17	39897	Control Knob	
18	24205	Knurled Nut	
19	34700	Control Panel Overlay	Models EA1610 and EA1710
	34699	Control Panel Overlay	Models EA1620, EA1621 and EA1721
20	52864	Screw	
21	91176	Lockwasher	
22	81799	Temperature Switch	
23	27762	Speed Switch	2 speed models
24	32463	Indicator Light	Unbalanced load
	32466	Indicator Light	In Use
	32464	Indicator Light	Rinse/spin
25	02431	Lockwasher	
26	20275	Nut	

* Add Letter to Designate Color. L - Almond W - White H - Harvest Gold (No longer available)

N/A = Part no longer available

Control Panel, Control Hood and Controls

Models EA1310 and EA1311 through Serial No. R8145710XK



WA058-PT-1

Control Panel, Control Hood and Controls

Models EA1310 and EA1311 through Serial No. R8145710XK

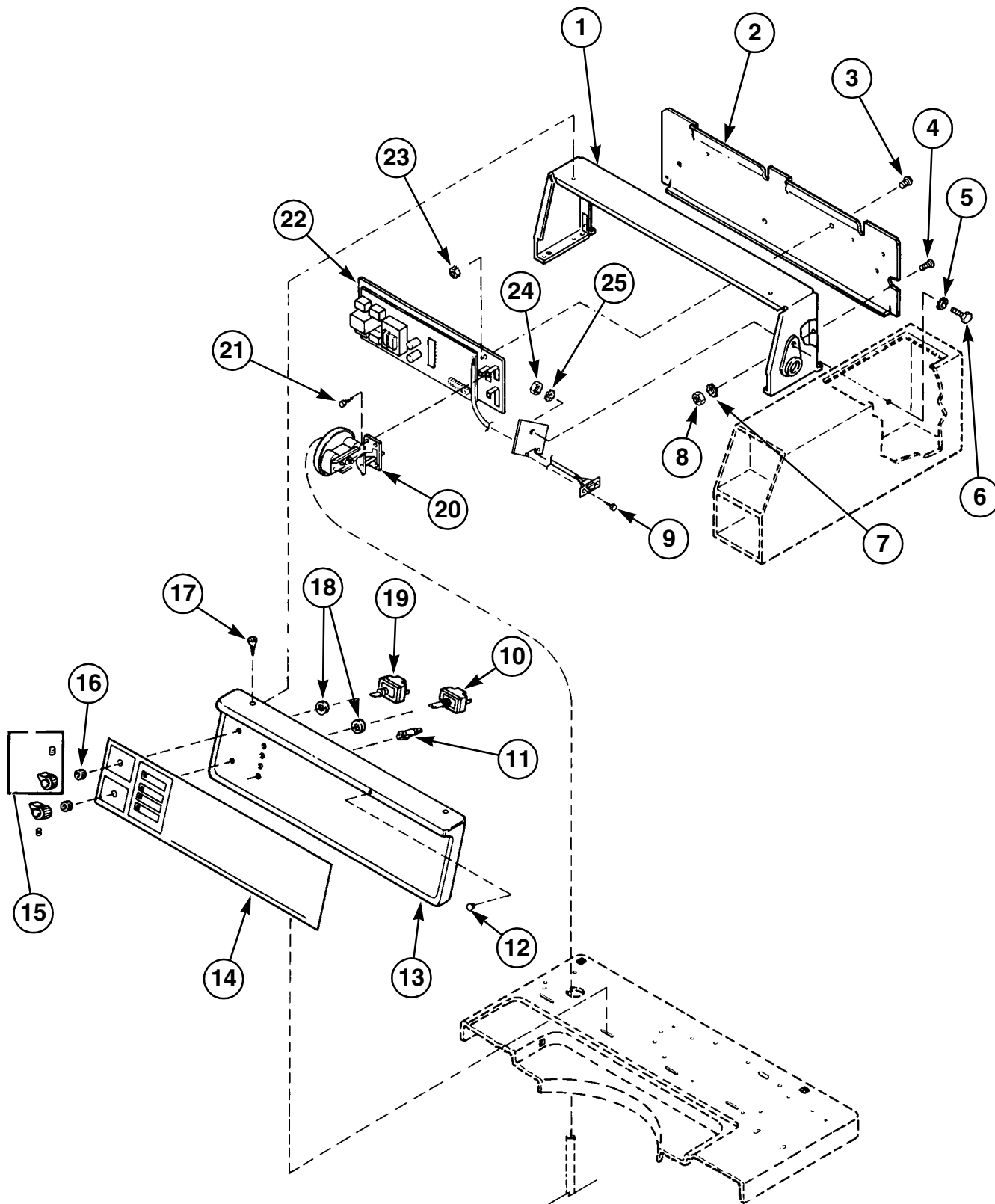
REF	PART #	DESCRIPTION	COMMENTS
1	37075*	Control Hood	
2	38267	Control Hood Rear Panel	
3	20267	Screw	
4	M400017	Lockwasher	
5	02916	Screw	
6	03815	Lockwasher	
7	03673	Nut	
8	N/A	Screw	
9	27762	Switch	
10	32465	Indicator Light	Unbalanced load
	32422	Indicator Light	Wash/Rinse/Spin
11	32648	Bumper	
12	23962	Screw	
13	31266	Pressure Switch	
14	493P3	Electronic Control Kit	Includes item 2
15	32479	Control Panel Overlay	
16	39897	Control Knob	
17	24205	Knurled Nut	
18	36521*	Control Panel Frame	
19	52864	Screw	
20	91176	Lockwasher	
21	81799	Temperature Switch	

* Add Letter to Designate Color. L - Almond W - White H - Harvest Gold (No longer available)

N/A = Part no longer available

Control Panel, Control Hood and Controls

Models EA1310 and EA1311 starting Serial No. R8145711XK



WA059-PT-1

Control Panel, Control Hood and Controls

Models EA1310 and EA1311 starting Serial No. R8145711XK

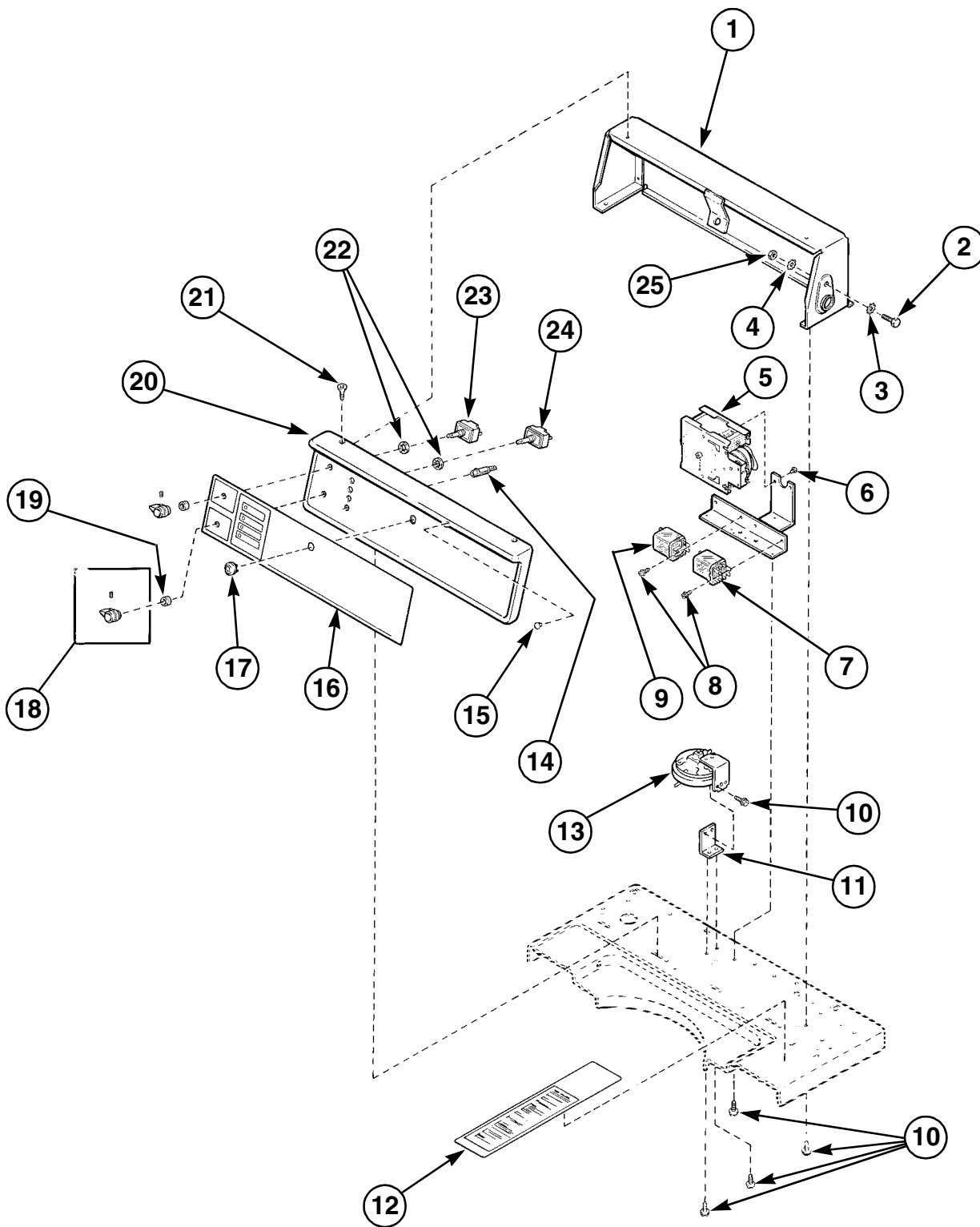
REF	PART #	DESCRIPTION	COMMENTS
1	37075*	Control Hood	
2	38267	Control Hood Rear Panel	
3	03814	Screw	
4	20267	Screw	
5	M400017	Lockwasher	
6	02916	Screw	
7	03815	Lockwasher	
8	03673	Nut	
9	N/A	Screw	
10	27762	Switch	
11	32465	Indicator Light	Unbalanced load
	32422	Indicator Light	Wash/Rinse/Spin
12	32648	Bumper	
13	36521*	Control Panel Frame	
14	32479	Control Panel Overlay	
15	39897	Control Knob	
16	24205	Knurled Nut	
17	52864	Screw	
18	91176	Lockwasher	
19	81799	Temperature Switch	
20	31266	Pressure Switch	
21	23962	Screw	
22	33422P	Control and Bracket	
23	23951	Nut	
24	20275	Nut	
25	02431	Lockwasher	

* Add Letter to Designate Color. L - Almond W - White H - Harvest Gold (No longer available)

N/A = Part no longer available

Control Panel, Control Hood and Controls

Models EA1420 and EA1421



WA005-PT

Control Panel, Control Hood and Controls

Models EA1420 and EA1421

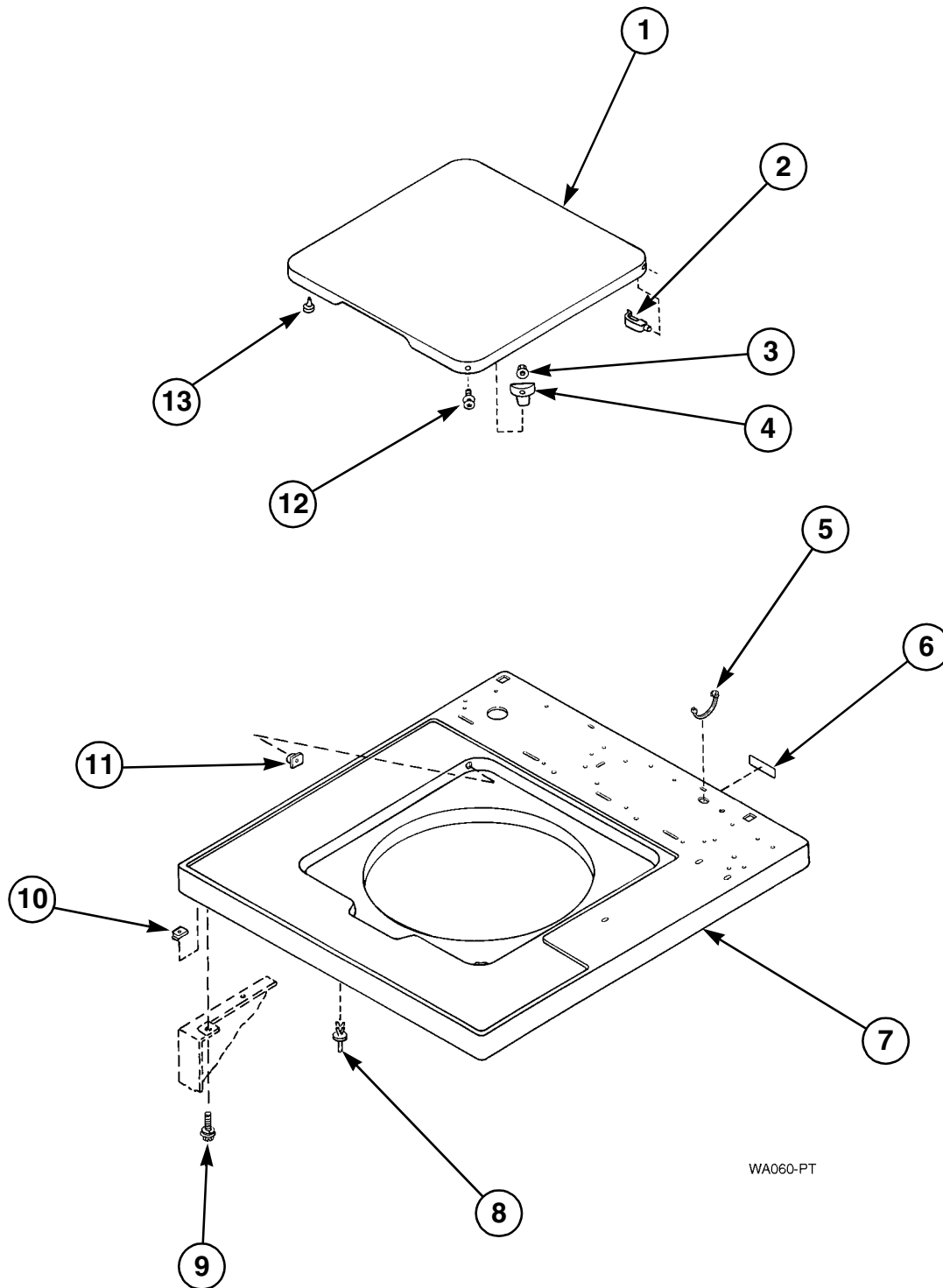
REF	PART #	DESCRIPTION	COMMENTS
1	N/A	Control Hood	
2	02916	Screw	
3	M400017	Lockwasher	
4	02431	Lockwasher	
5	N/A	Timer	
6	21720	Screw	
7	30616	Latching Relay	
8	23222	Screw	
9	31738	Relay	
10	23962	Screw	
11	31842P	Bracket	
12	N/A	Instruction Plate	
13	28615	Pressure Switch	
14	32463	Indicator Light	Unbalanced load
	32466	Indicator Light	In Use
	32464	Indicator Light	Rinse/Spin
15	32648	Bumper	
16	N/A	Control Panel Overlay	
17	57916	Plug Button Lock	
18	39897	Control Knob	
19	24205	Knurled Nut	
20	36521*	Control Panel Frame	
21	52864	Screw	
22	91176	Lockwasher	
23	81799	Temperature Switch	
24	27762	Speed Switch	
25	20275	Nut	

* Add Letter to Designate Color. L - Almond W - White H - Harvest Gold (No longer available)

N/A = Part no longer available

Cabinet Top and Loading Door

Through Serial No. R8237277YK



Cabinet Top and Loading Door

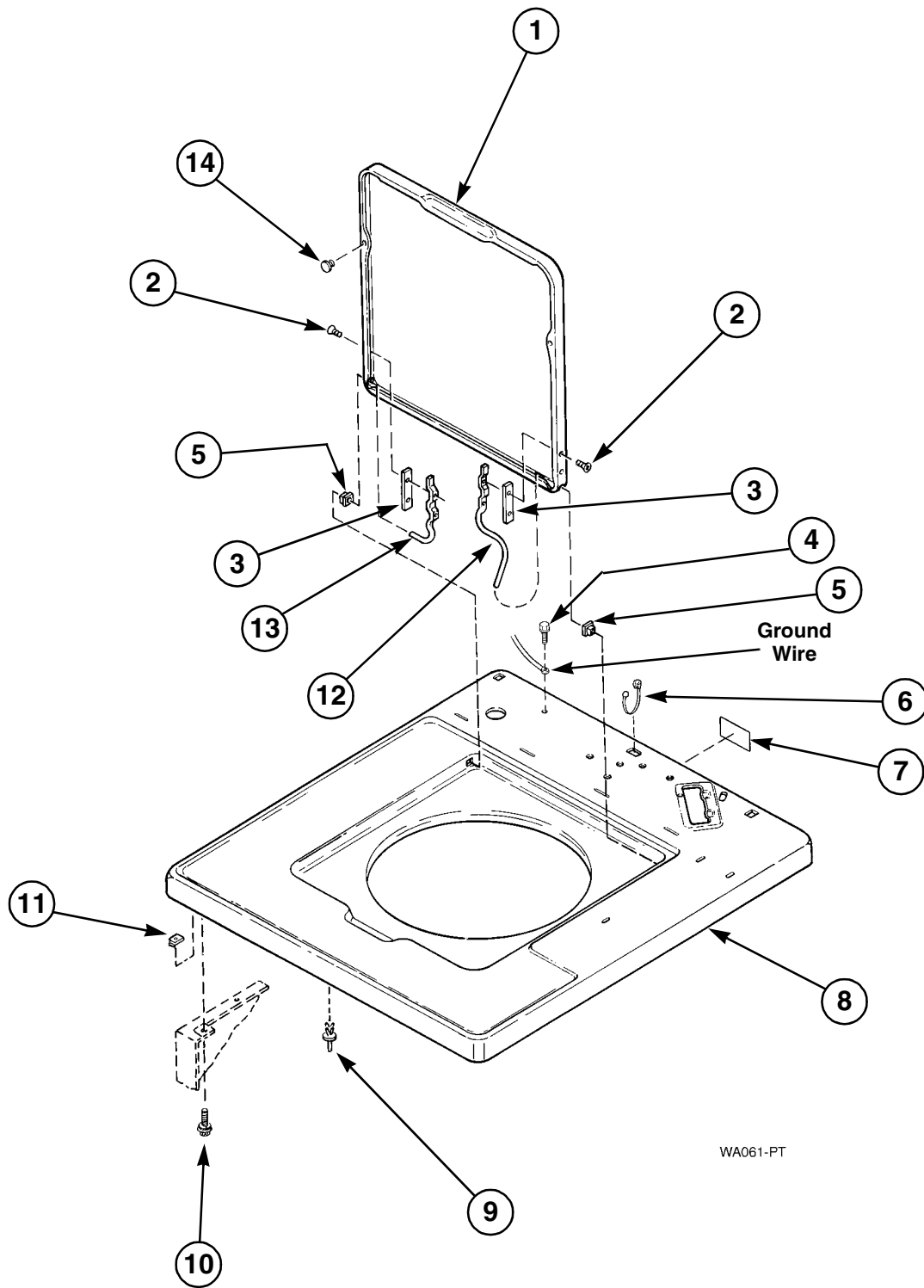
Through Serial No. R8237277YK

REF	PART #	DESCRIPTION	COMMENTS
1	32457*P	Loading Door	Painted
	200890*P	Loading Door	Porcelain
2	27626	Hinge	
3	21752	Nut	
4	27149	Catch	
5	38384	Strain Relief	
6	24903	Sticker	
7	32453*P	Cabinet Top	Painted
	33000*P	Cabinet Top	Porcelain
8	56534	Rivet	
9	33562	Screw	
10	36020	Nut	
11	27625	Bushing	
12	27203	Screw and Lockwasher	
13	32507	Bumper	

* Add Letter to Designate Color. L - Almond W - White H - Harvest Gold (No longer available)

Cabinet Top and Loading Door

Starting Serial No. R8237278YK



Cabinet Top and Loading Door

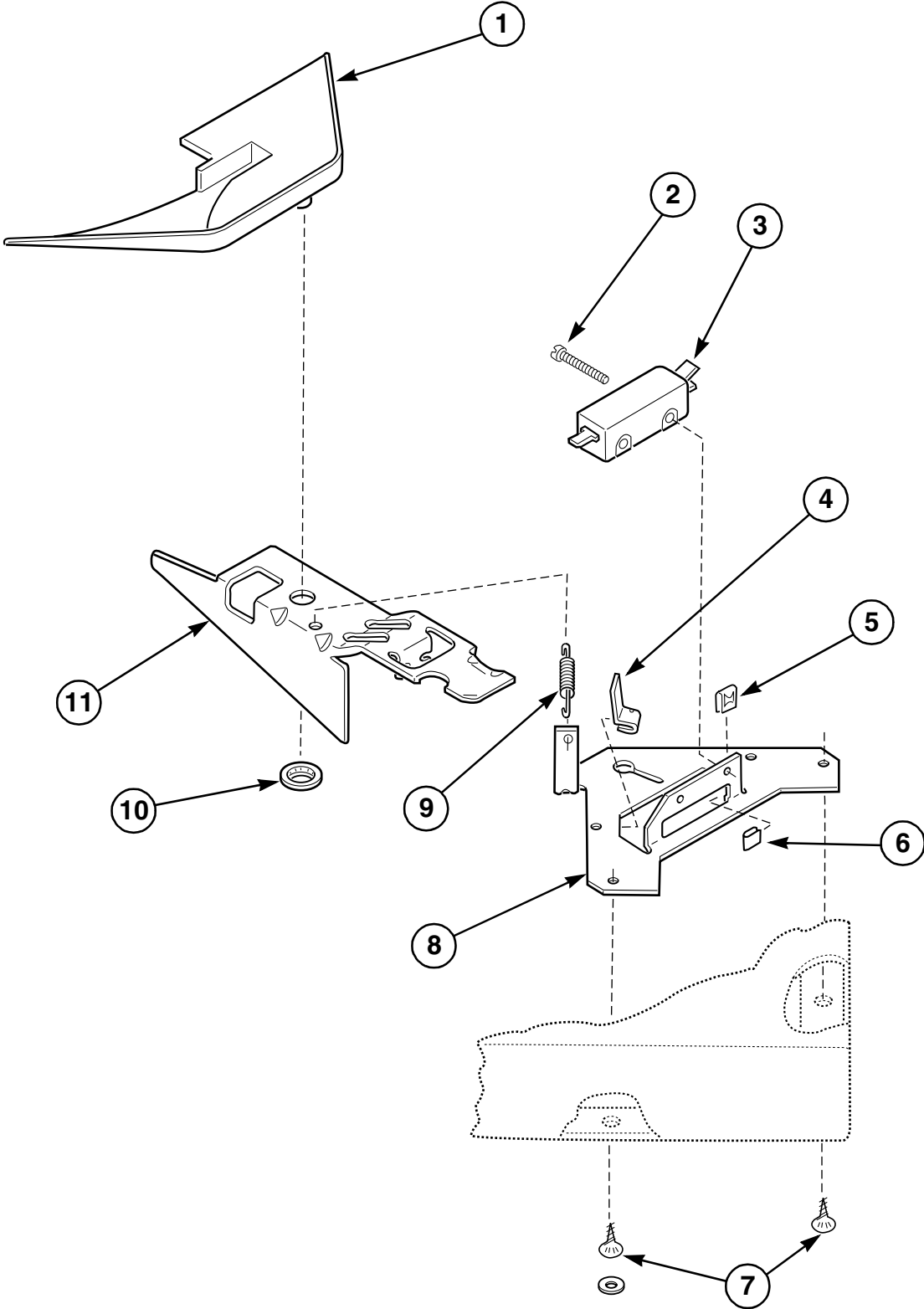
Starting Serial No. R8237278YK

REF	PART #	DESCRIPTION	COMMENTS
1	33845*P	Loading Door	Painted
	200893*P	Loading Door	Porcelain
2	34337	Screw	
3	34338	Gasket	
4	52909	Screw	
5	33446	Bushing	Use with painted cabinet top
	36474	Bushing	Use with porcelain cabinet top
6	38384	Strain Relief	
7	24903	Sticker	
8	36120*P	Cabinet Top	Painted
	36122*P	Cabinet Top	Porcelain
9	56534	Rivet	
10	33562	Screw	
11	36020	Nut	Use with porcelain cabinet top
12	36437	Hinge	Right
13	36438	Hinge	Left
14	21685	Bumper	

* Add Letter to Designate Color. L - Almond W - White H - Harvest Gold (No longer available)

Loading Door and Out-of-Balance Switch

Through Serial No. R8237277YK



W451P

Loading Door and Out-of-Balance Switch

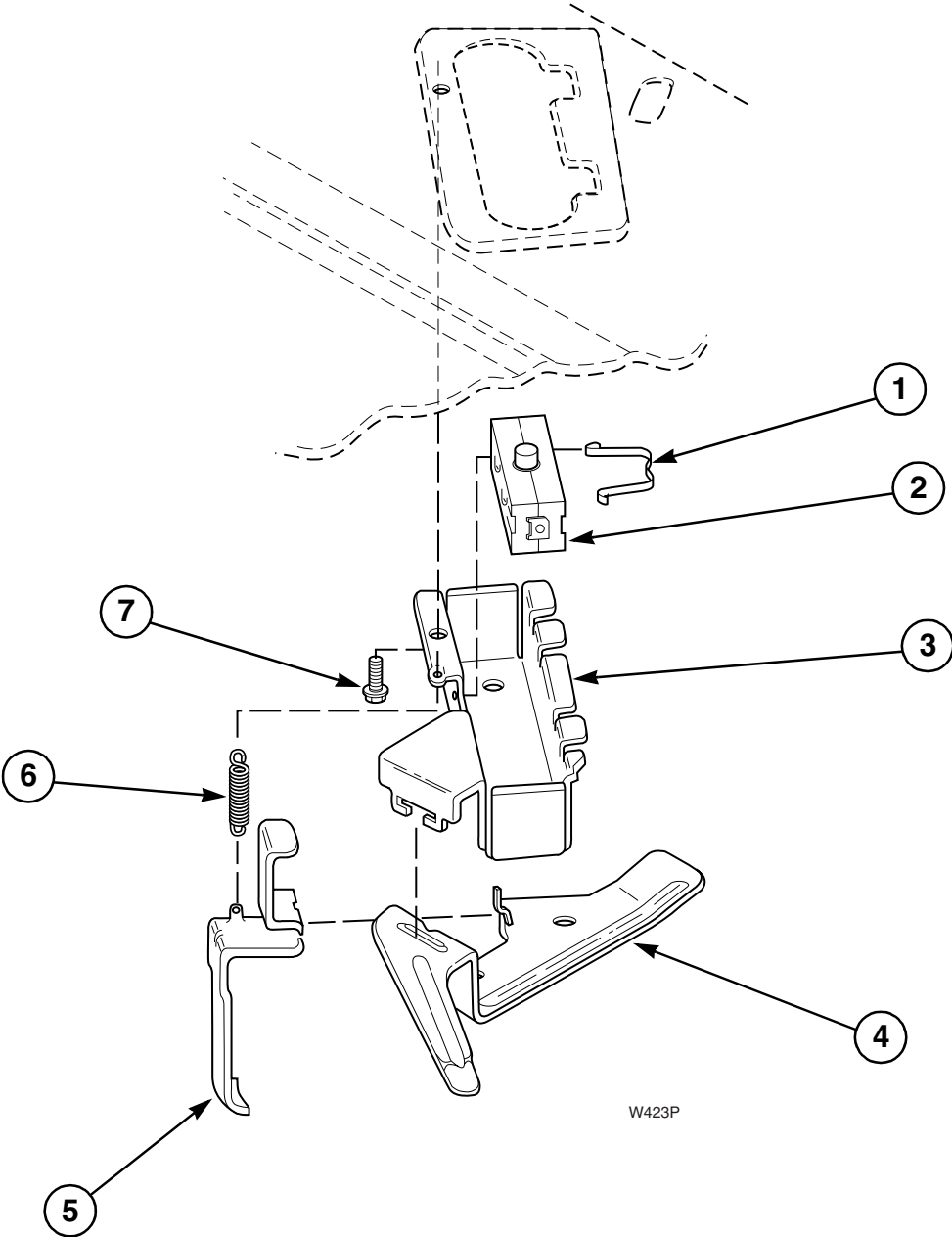
Through Serial No. R8237277YK

REF	PART #	DESCRIPTION	COMMENTS
1	29042	Shield	
2	26516	Screw	
3	27612	Switch	
4	N/A	Clip	
5	N/A	Nut	
6	N/A	Clip	
7	28193	Screw	
8	27250	Bracket	
9	N/A	Spring	
10	29043	Push Nut	
11	27602	Lever	

N/A = Part no longer available

Loading Door and Out-of-Balance Switch

Starting Serial No. R8237278YK



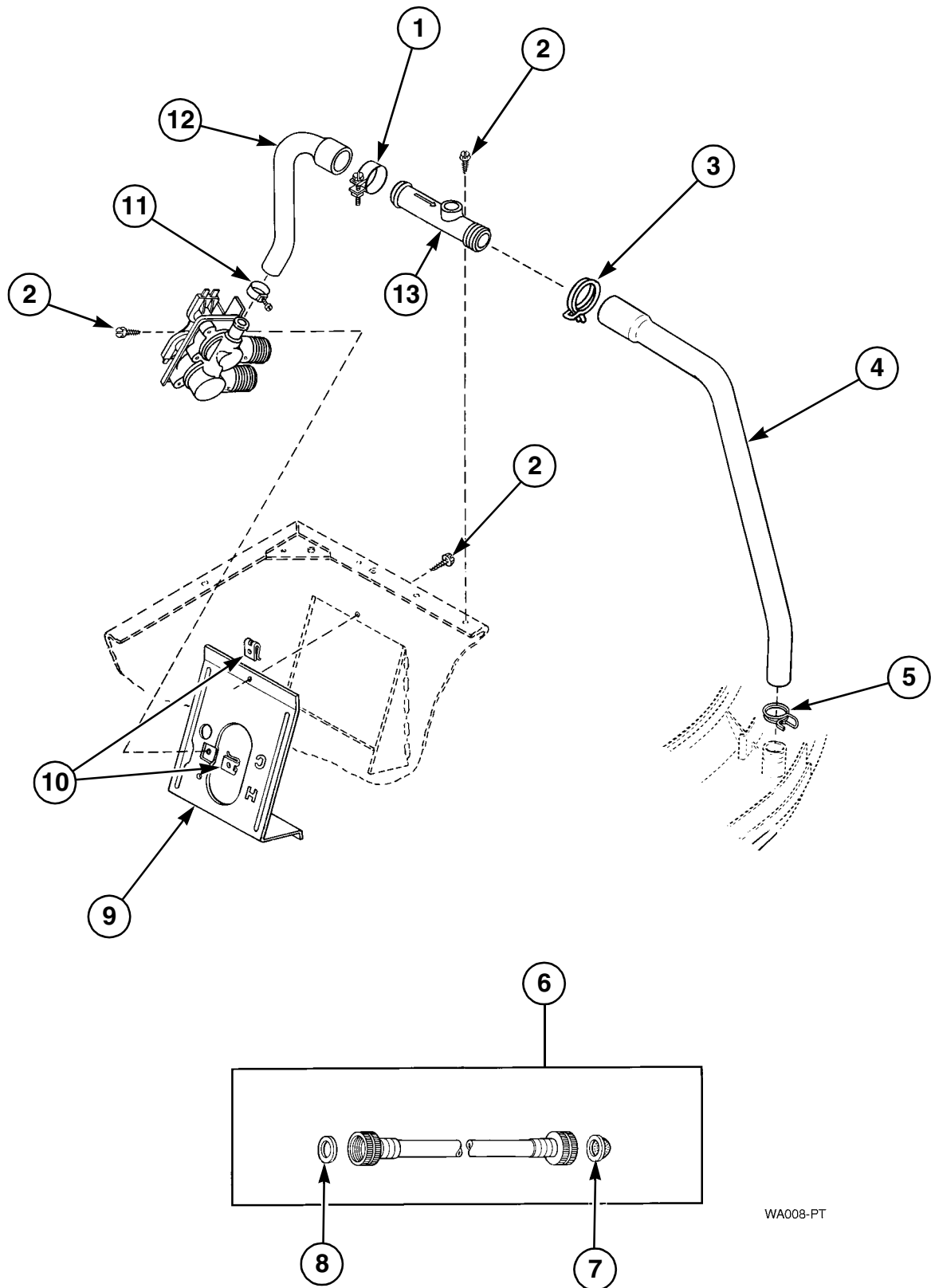
Loading Door and Out-of-Balance Switch

Starting Serial No. R8237278YK

REF	PART #	DESCRIPTION	COMMENTS
1	33433	Clip	
2	33527	Switch	
3	36497P	Switch Holder	
4	33441	Actuator Arm	
5	33442	Lever	
6	33443	Spring	
7	23962	Screw	

Inlet Hose, Filler Hose, Back Flow Preventer and Mixing Valve Mounting Bracket

Through Serial No. R8237277YK



WA008-PT

Inlet Hose, Filler Hose, Back Flow Preventer and Mixing Valve Mounting Bracket

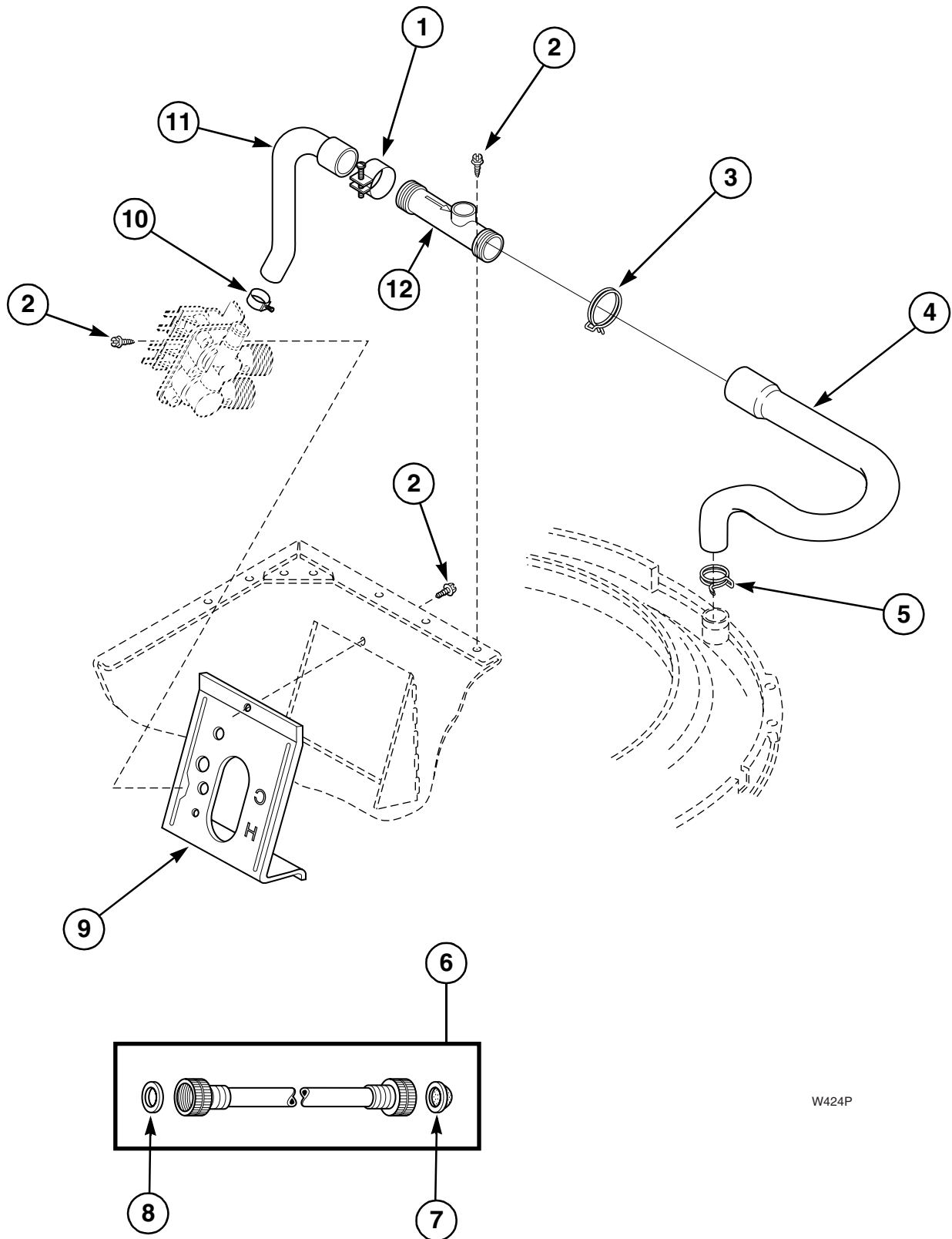
Through Serial No. R8237277YK

REF	PART #	DESCRIPTION	COMMENTS
1	20211	Hose Clamp	
2	23962	Screw	
3	35370	Hose Clamp	
4	31140	Hose	
5	29210	Hose Clamp	
6	28330P	Inlet Hose	
7	N/A	Filter Washer	Use Item 8 instead
8	20290	Hose Washer	
9	39407	Mixing Valve Mounting Bracket	
10	N/A	Nut	
11	36801	Hose Clamp	
12	27183	Hose	
13	34280	Backflow Preventer	

N/A = Part no longer available

Inlet Hose, Filler Hose, Back Flow Preventer and Mixing Valve Mounting Bracket

Starting Serial No. R8237278YK



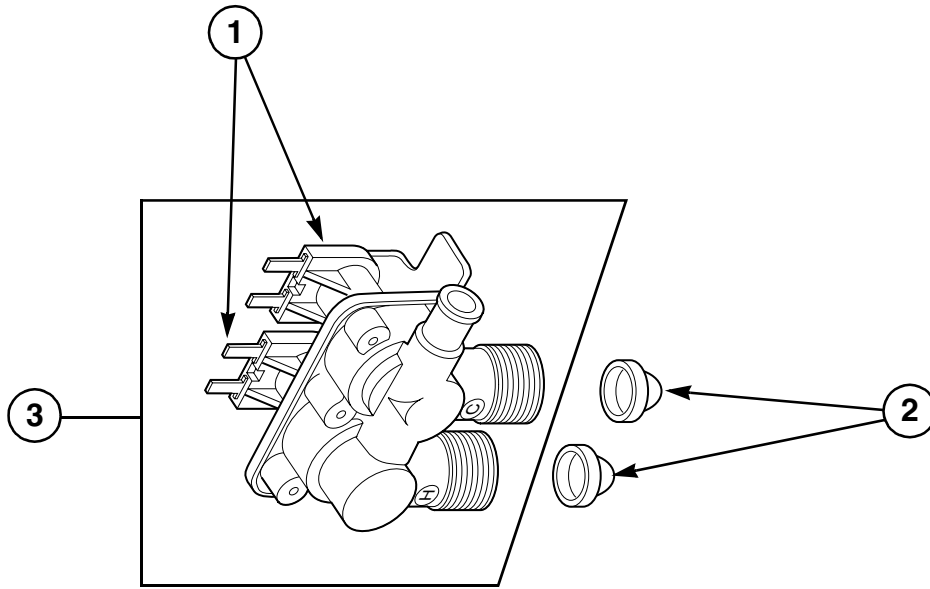
W424P

Inlet Hose, Filler Hose, Back Flow Preventer and Mixing Valve Mounting Bracket

Starting Serial No. R8237278YK

REF	PART #	DESCRIPTION	COMMENTS
1	20211	Hose Clamp	
2	23962	Screw	
3	35370	Hose Clamp	
4	33186	Hose	
5	29210	Hose Clamp	
6	28330P	Inlet Hose	
7	N/A	Filter Washer	Use Item 8 instead
8	20290	Hose Washer	
9	39407	Mixing Valve Mounting Bracket	
10	36801	Hose Clamp	
11	27183	Hose	
12	34280	Backflow Preventer	

Mixing Valve Assembly

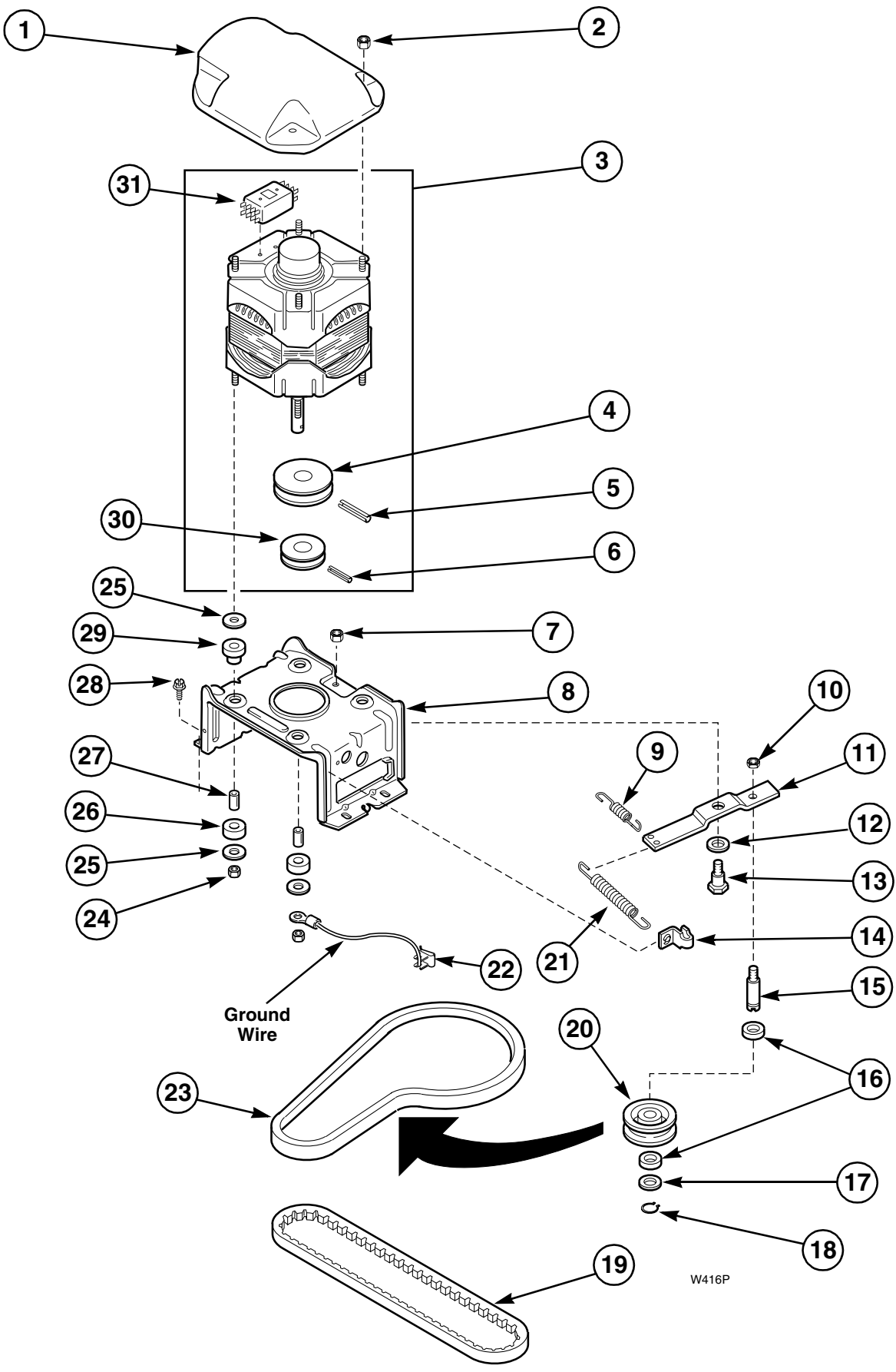


W284P

Mixing Valve Assembly

REF	PART #	DESCRIPTION	COMMENTS
1	33930A	Mixing Valve Solenoid	
2	F270200	Inlet Screen	
3	33930P	Mixing Valve Assembly	

Motor, Mounting Bracket, Belts and Idler Assembly

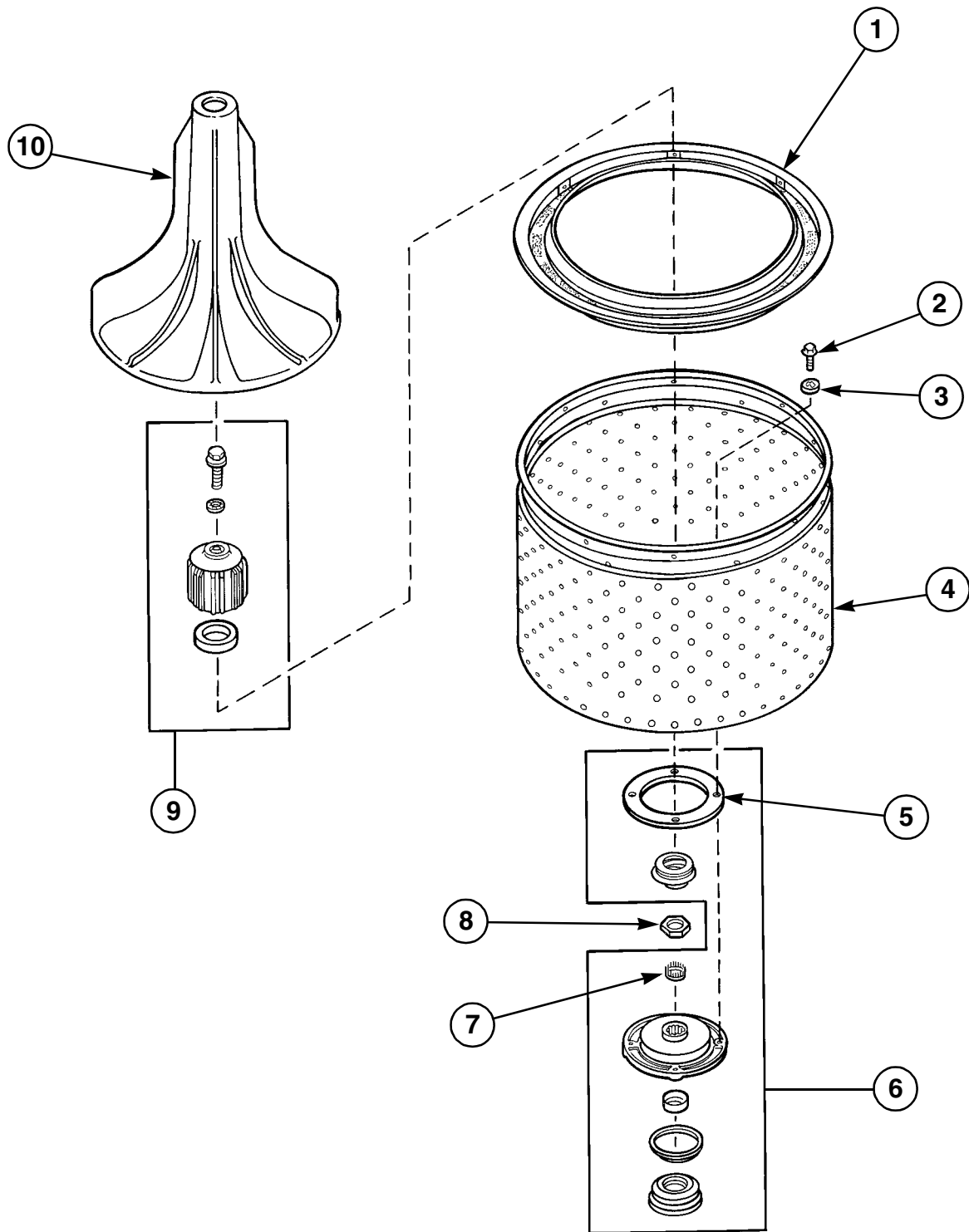


Motor, Mounting Bracket, Belts and Idler Assembly

REF	PART #	DESCRIPTION	COMMENTS
	258P3	Capacitor Kit	For use in areas where low voltage exists
1	27136	Motor Shield	
2	27201	Locknut	
3	27658P	Motor	1 speed; 120 Volt/60 Hertz
	27179P	Motor	2 speed; 120 Volt/60 Hertz
4	N/A	Motor Pulley	
5	N/A	Roll Pin	
6	10416	Roll Pin	
7	52566	Locknut	
8	28791	Motor Mounting Bracket	
9	30620	Helper Spring	
10	28803	Nut	
11	31054	Idler Lever	
12	81392	Washer	
13	27229	Shoulder Bolt	
14	28849	Clip	
15	28802	Idler Shaft	
16	29443	Washer	Felt
17	52549	Washer	Nylatron
18	23748	Retainer Ring	
19	27155	Belt	Pump
20	28800	Idler Pulley	
21	37366	Idler Spring	
22	00161	Ground Clip	
23	28808	Belt	Agitate and spin
24	23604	Nut	
25	03888	Washer	
26	N/A	Rubber Motor Mount	Lower
27	N/A	Spacer	
28	503661	Screw	
29	N/A	Rubber Motor Mount	Upper
30	27104	Motor Pulley	Pump
31	30897AP	Motor Switch	

Agitator, Drive Bell, Seal Seat, Washtub and Hub

Through Serial No. R8237277YK



W062-PT

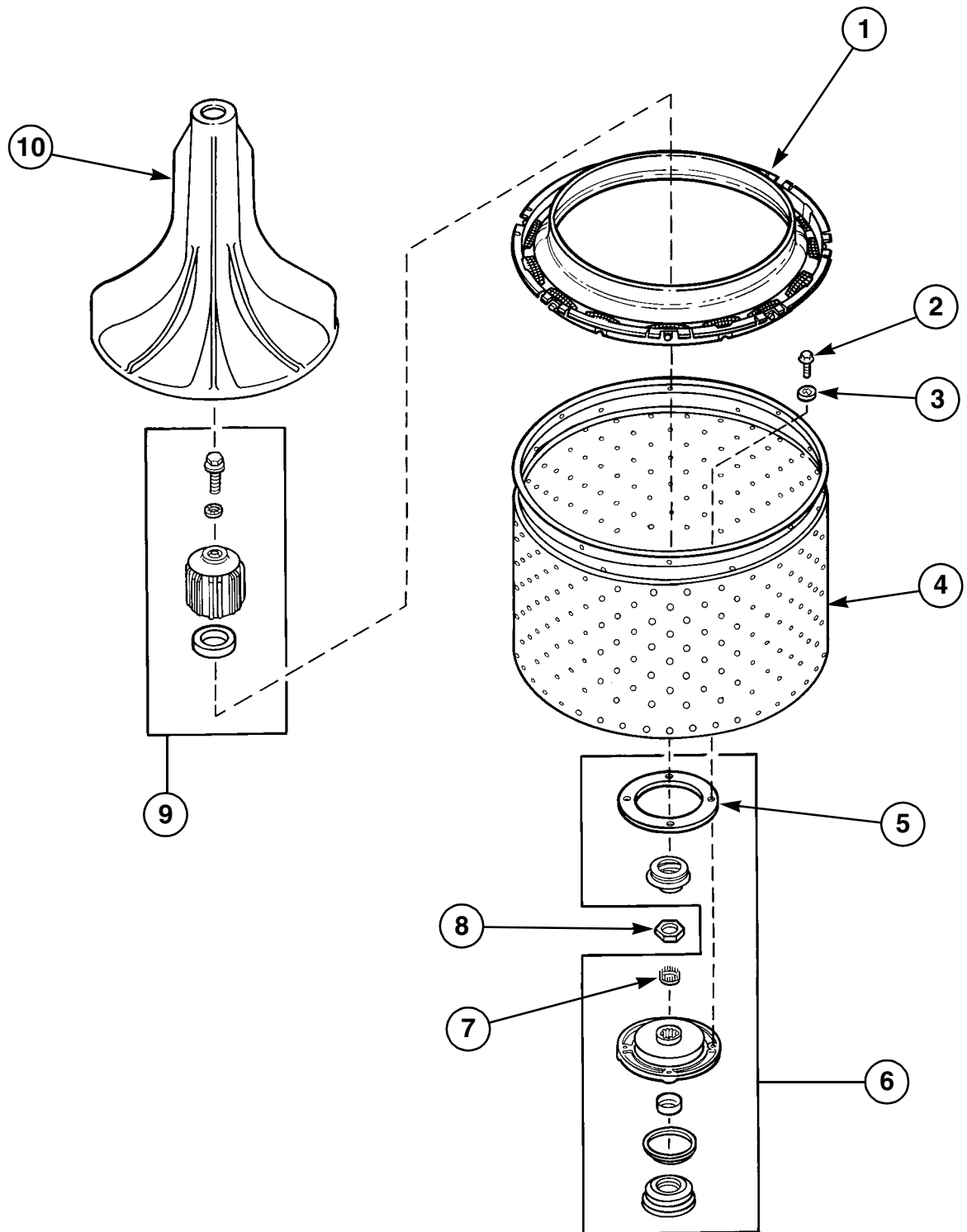
Agitator, Drive Bell, Seal Seat, Washtub and Hub

Through Serial No. R8237277YK

REF	PART #	DESCRIPTION	COMMENTS
1	33521	Lint Filter	
2	27202	Screw	
3	28094	Gasket	
4	39252P	Washtub	Porcelain
	39387P	Washtub	Stainless Steel
5	39122	Gasket	
6	495P3	Hub and Seal Kit	Includes item 9
7	29728	Spline Insert	
8	29220	Locknut	
9	39508P	Drive Bell and Seal Kit	
10	33513	Agitator	

Agitator, Drive Bell, Seal Seat, Washtub and Hub

Starting Serial No. R8237278YK



WA063-PT

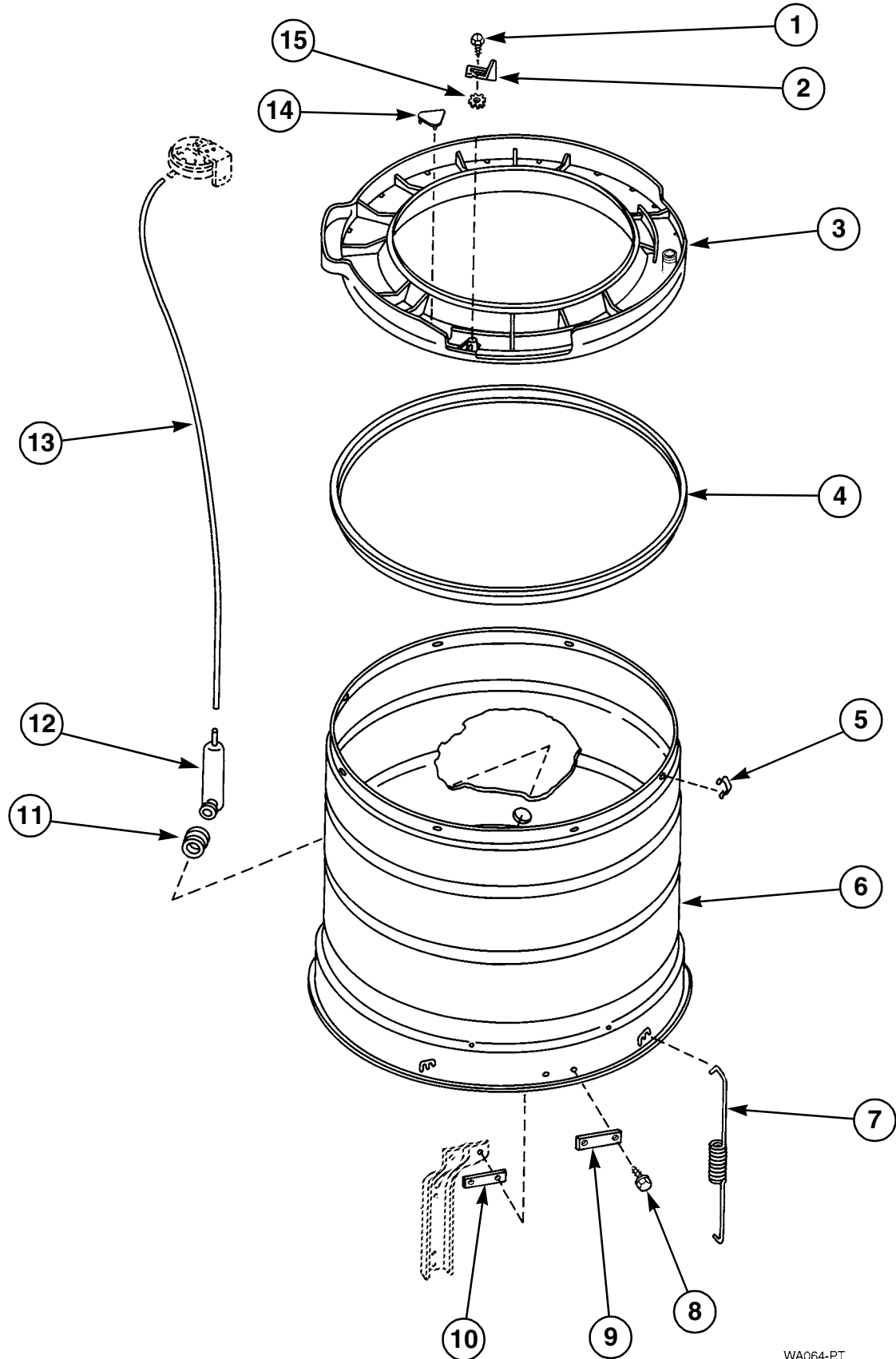
Agitator, Drive Bell, Seal Seat, Washtub and Hub

Starting Serial No. R8237278YK

REF	PART #	DESCRIPTION	COMMENTS
1	32990	Clothes Guard	
2	27202	Screw	
3	28094	Gasket	
4	39252P	Washtub	Porcelain
	39387P	Washtub	Stainless Steel
5	39122	Gasket	
6	495P3	Hub and Seal Kit	Includes item 9
7	29728	Spline Insert	
8	29220	Locknut	
9	39508P	Drive Bell and Seal Kit	
10	33513	Agitator	

Outer Tub, Cover and Pressure Hose

Through Serial No. R8237277YK



WA064-PT

Outer Tub, Cover and Pressure Hose

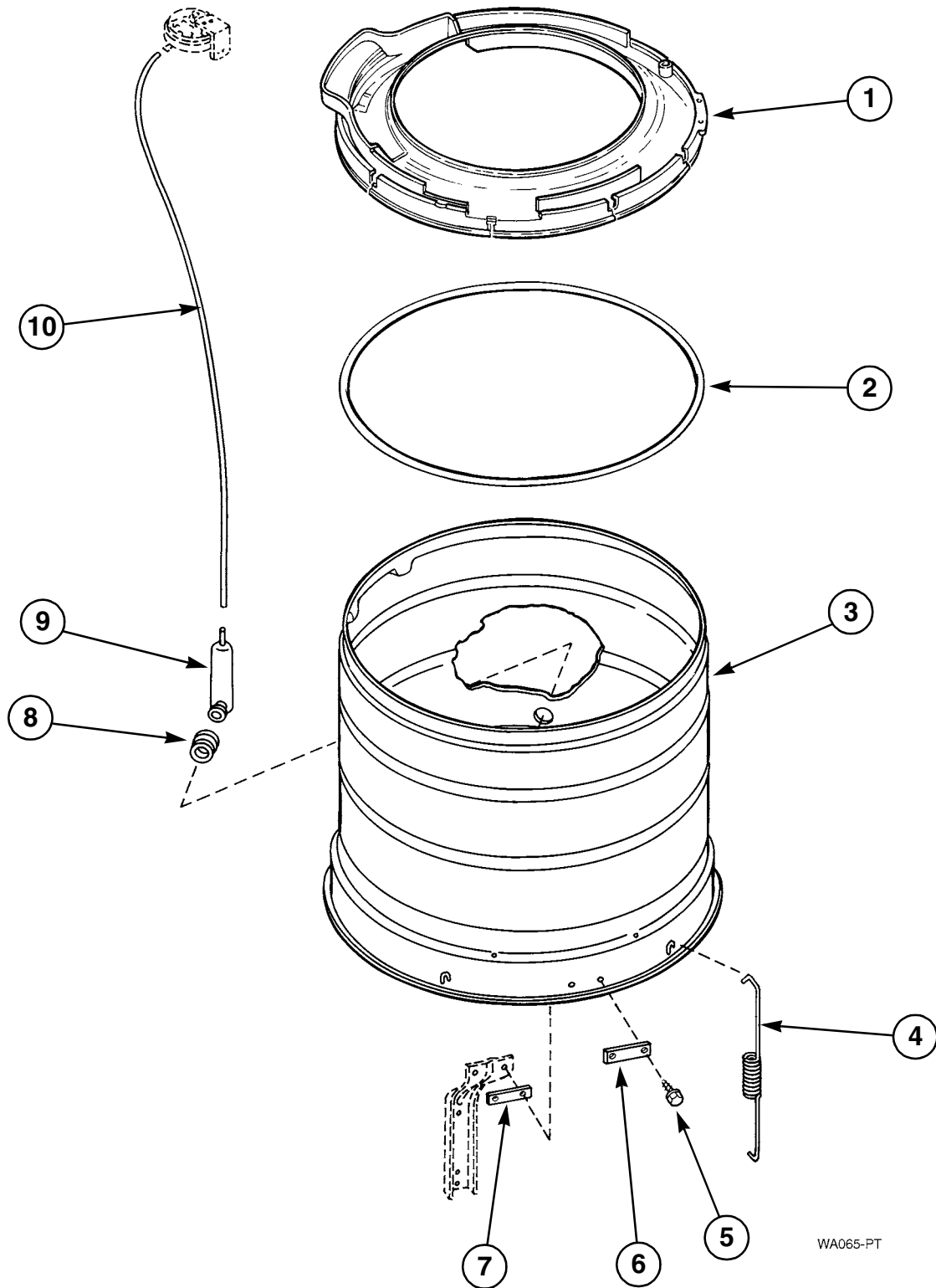
Through Serial No. R8237277YK

REF	PART #	DESCRIPTION	COMMENTS
1	503661	Screw	
2	N/A	Trigger	
3	31153	Outer Tub Cover	Includes item 14
4	27184	Gasket	
5	27017	Spring	
6	507P3	Outer Tub	
7	27239	Centering Spring	
8	35369	Screw	
9	27926	Leg Plate	
10	N/A	Leg Plate	
11	29175	Grommet	
12	30907	Pressure Bulb	
13	32372	Pressure Hose	Models EA1310 and EA1311
	39124	Pressure Hose	All other models
14	29901	Plug	
15	03815	Lockwasher	

N/A = Part no longer available

Outer Tub, Cover and Pressure Hose

Starting Serial No. R8237278YK



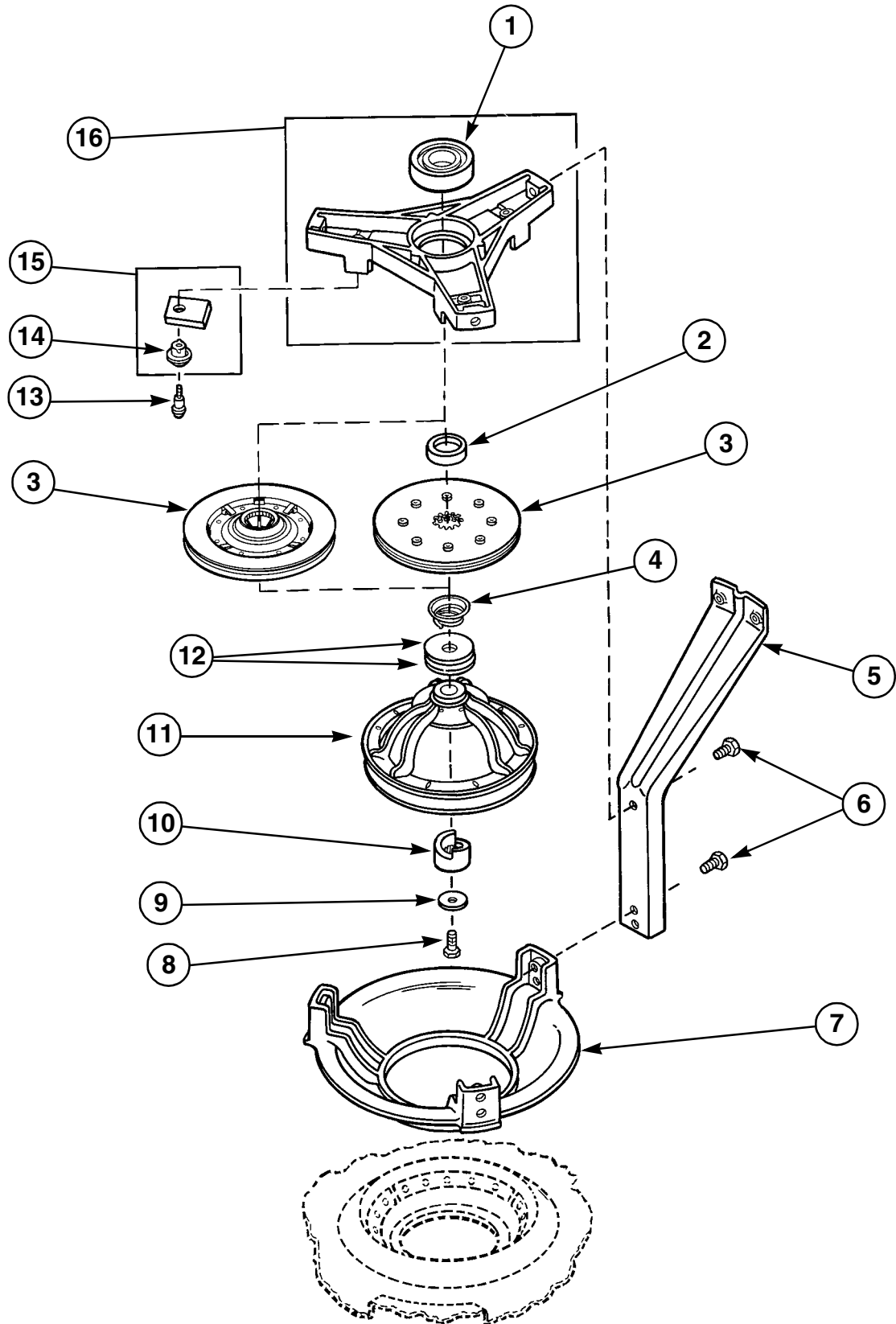
WA065-PT

Outer Tub, Cover and Pressure Hose

Starting Serial No. R8237278YK

REF	PART #	DESCRIPTION	COMMENTS
1	33184P	Outer Tub Cover	Includes item 2
2	32857	Gasket	
3	33178	Outer Tub	
4	27239	Centering Spring	
5	35369	Screw	
6	27926	Leg Plate	
7	N/A	Leg Plate	
8	29175	Grommet	
9	30907	Pressure Bulb	
10	32372	Pressure Hose	Models EA1310 and EA1311
	39124	Pressure Hose	All other models

Bearing Housing, Brake, Pulley and Pivot Dome

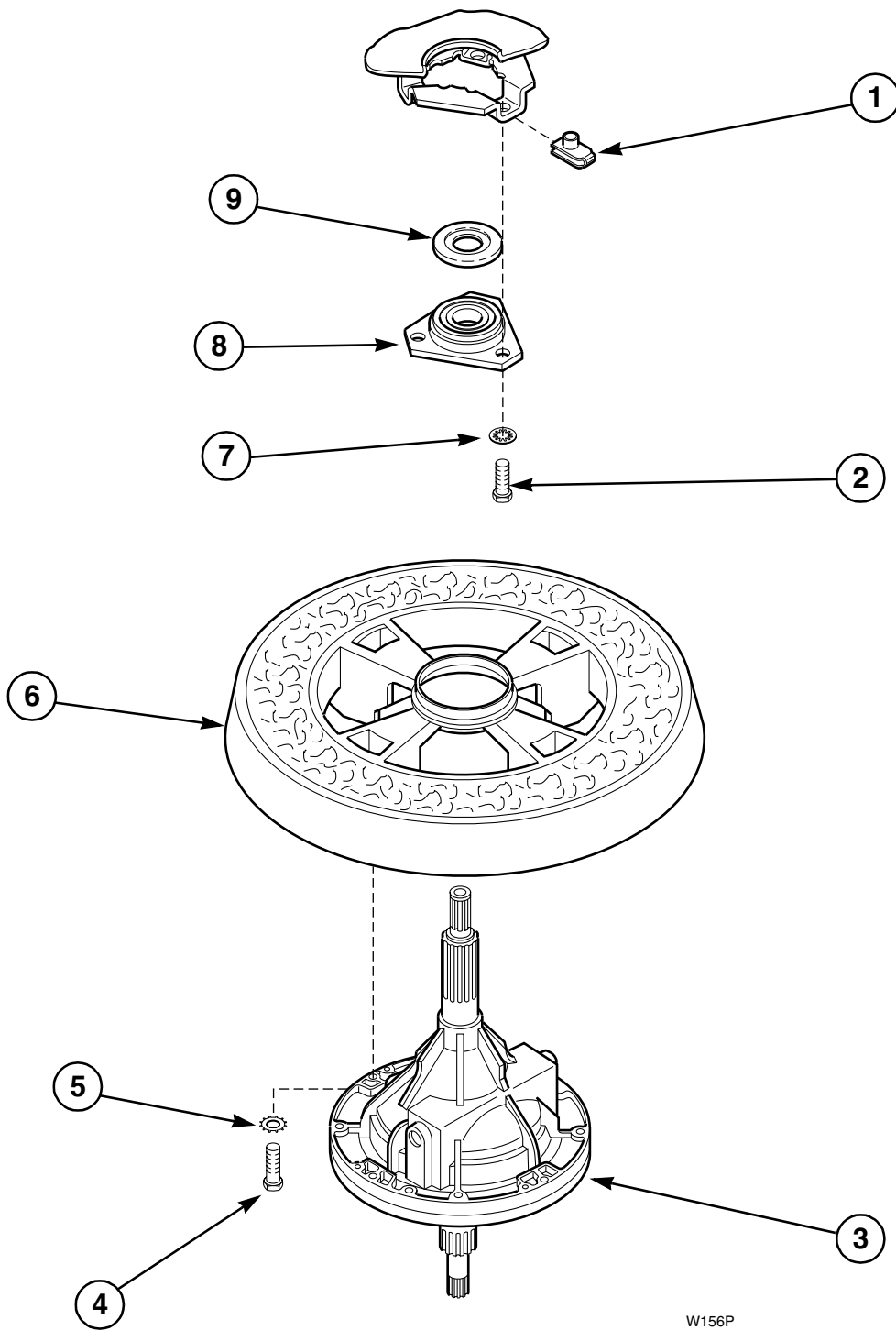


WA066-PT

Bearing Housing, Brake, Pulley and Pivot Dome

REF	PART #	DESCRIPTION	COMMENTS
1	28944R	Bearing	
2	27176	Spacer	Through Serial No. R8237277YK
3	38505P	Brake Assembly	
4	33435	Spring	
5	27090	Support Leg	
6	35369	Screw	
7	27124	Pivot Dome	
8	27220	Screw	
9	26509	Washer	
10	27018	Helix	
11	34232P	Pulley	
12	32651	Washer	2 required
13	26547	Shoulder Screw	
14	29993	Sleeve	
15	548P3	Brake Pad Kit	
16	35746	Bearing Housing Assembly	

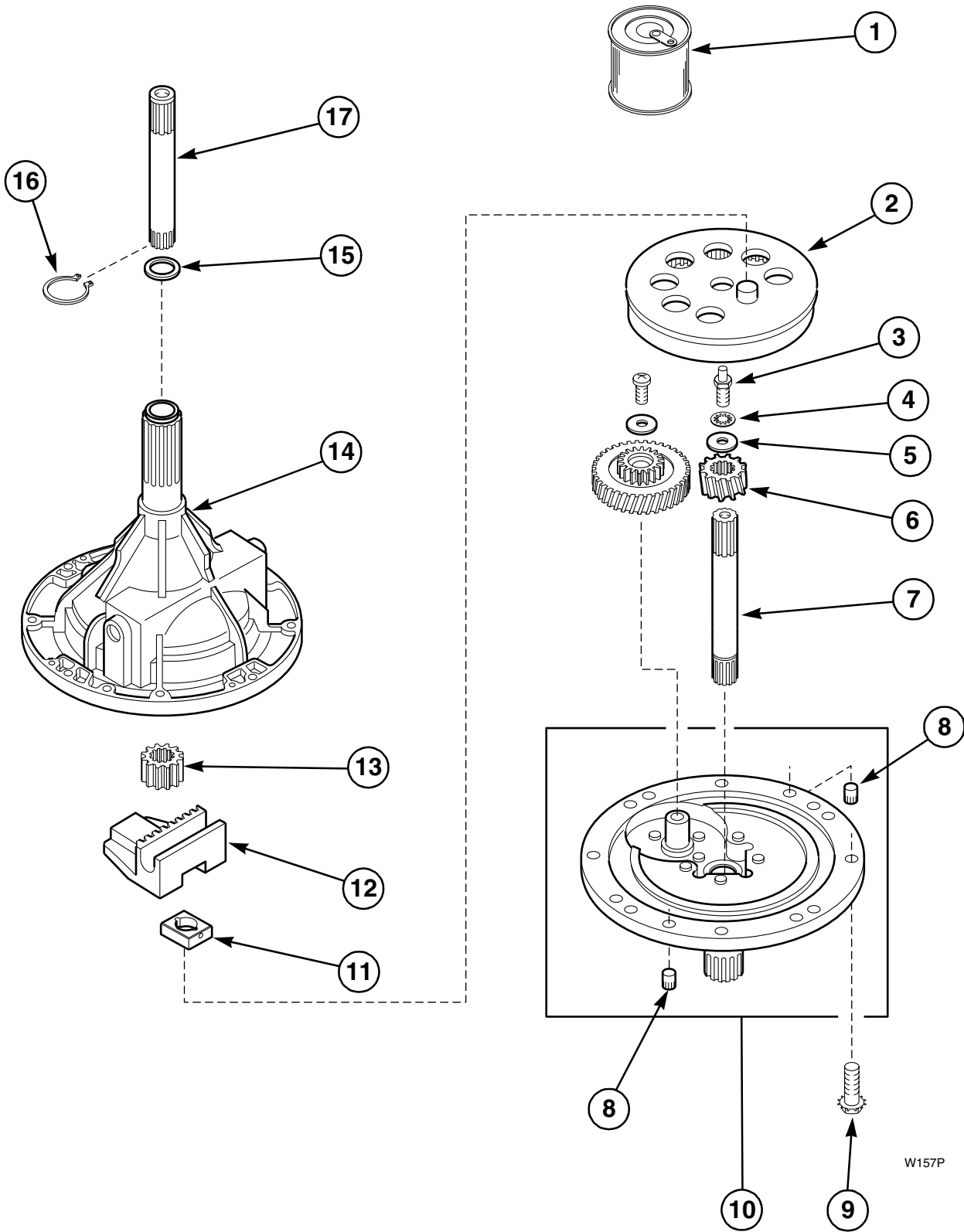
Transmission Assembly and Balance Ring



Transmission Assembly and Balance Ring

REF	PART #	DESCRIPTION	COMMENTS
	27604P	Anti-Seize Compound	Apply to upper and lower transmission tubes
1	27222	Retainer Nut	
2	M400057	Screw	
3	33227P	Transmission Assembly	
4	N/A	Screw	
5	02431	Lockwasher	
6	34731P	Balance Ring	
7	04366	Lockwasher	
8	27182	Bearing Housing Assembly	
9	27187	Flinger	

Components for Transmission Assembly



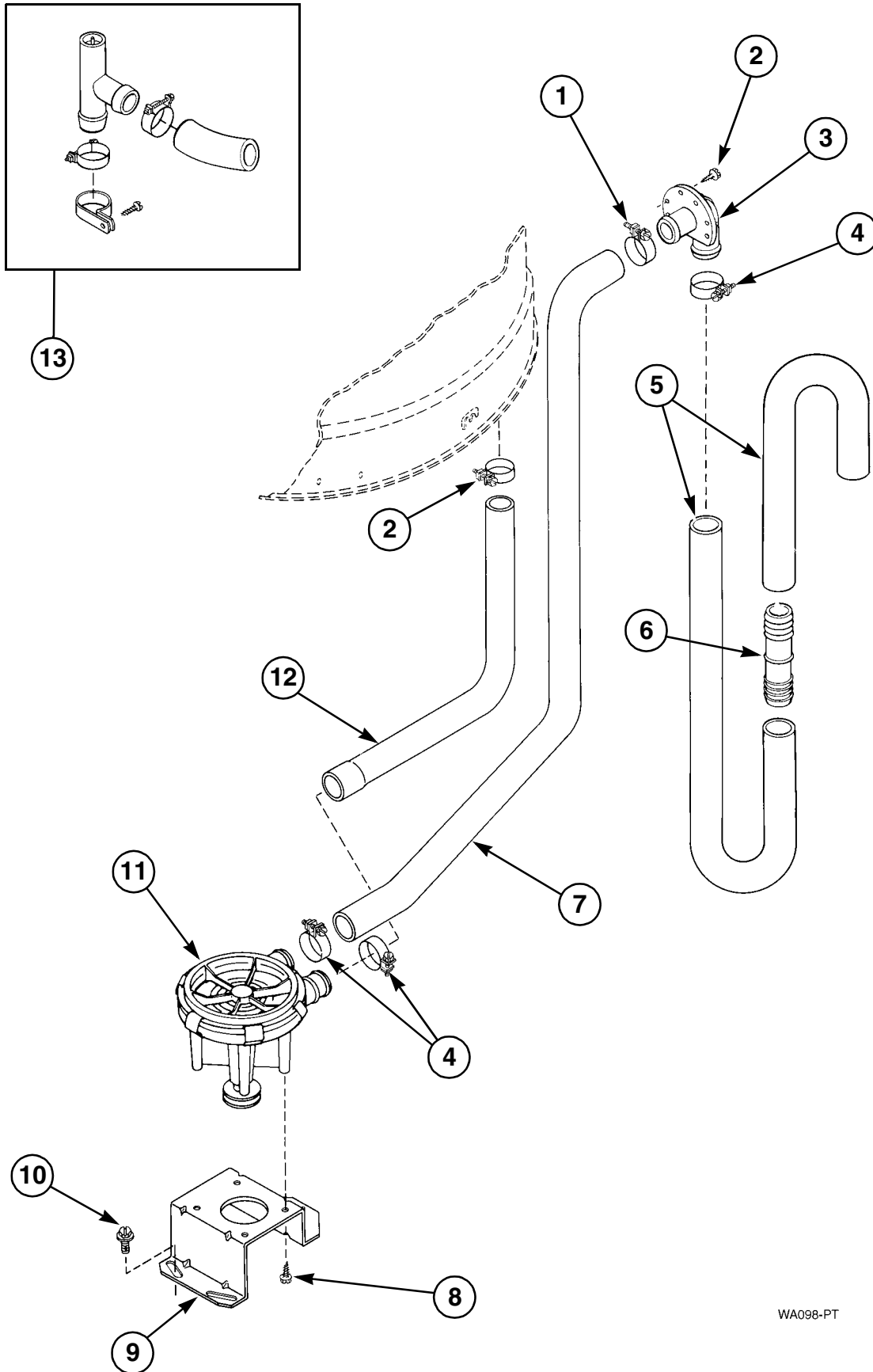
W157P

Components for Transmission Assembly

REF	PART #	DESCRIPTION	COMMENTS
	37577P	Sealant	Use between transmission case and cover
1	27243P	Transmission Oil	1 fill
2	26577	Internal Gear	
3	27030	Screw	
4	21456	Lockwasher	
5	26509	Washer	
6	36562	Drive Pinion	
7	27081	Input Shaft	
8	27172	Dowel Pin	
9	32814	Screw	
10	38287P	Transmission Cover Assembly	
11	26493	Slide	
12	31526	Rack	
13	27003	Agitator Pinion	
14	33223P	Transmission Case Assembly	
15	20212	Washer	
16	27197	Retainer Ring	
17	36570P	Output Shaft	

* Add Letter to Designate Color. L - Almond W - White H - Harvest Gold (No longer available)

Pump Assembly, Bracket, Hoses and Siphon Break Kit

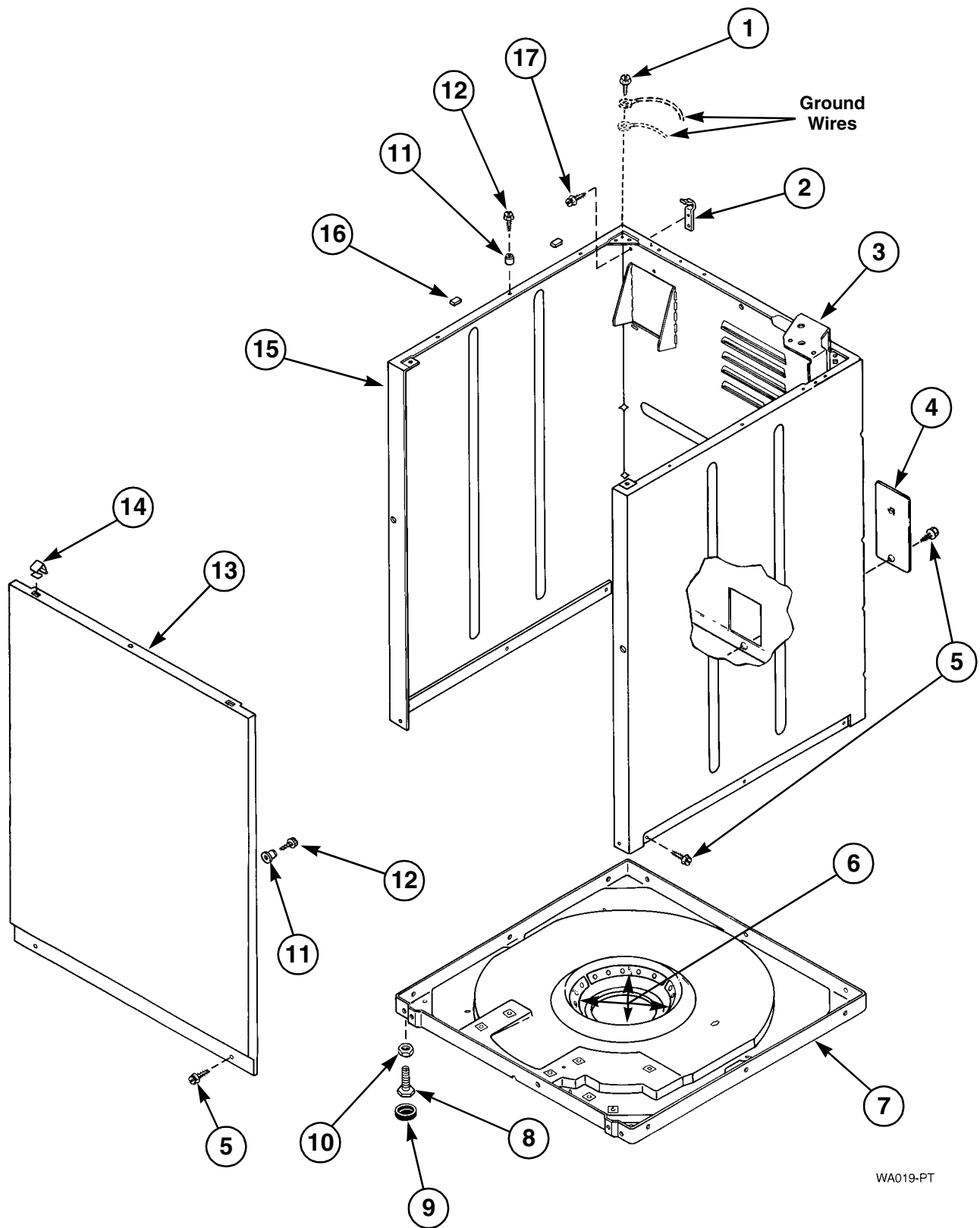


WA098-PT

Pump Assembly, Bracket, Hoses and Siphon Break Kit

REF	PART #	DESCRIPTION	COMMENTS
1	20391	Hose Clamp	
2	52909	Screw	
3	23553	Drain Hose Elbow	
4	20211	Hose Clamp	
5	28293	Drain Hose	If drain hose must be shortened, cut hose between molded end and molded elbow. Use one of item 6 to splice hose
6	25863	Hose Coupler	
7	27161	Pump-to-Elbow Hose	
8	31098	Screw	
9	27105	Mounting Bracket	
10	503661	Screw	
11	31969	Pump Assembly	
12	27160	Hose	
13	562P3	Siphon Break Kit	

Front Panel, Cabinet and Base Assembly



WA019-PT

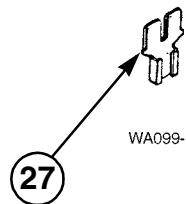
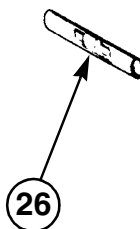
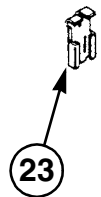
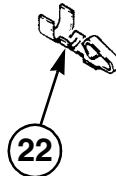
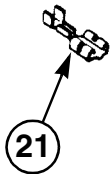
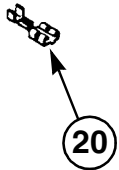
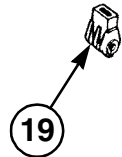
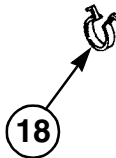
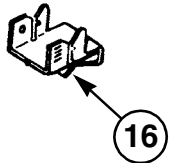
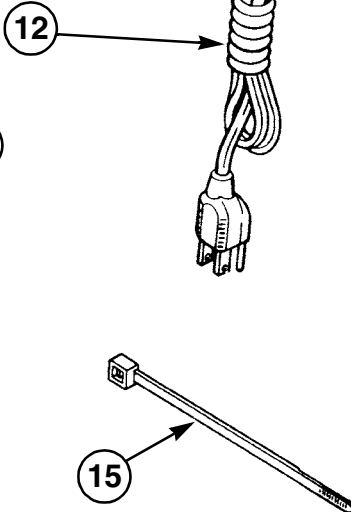
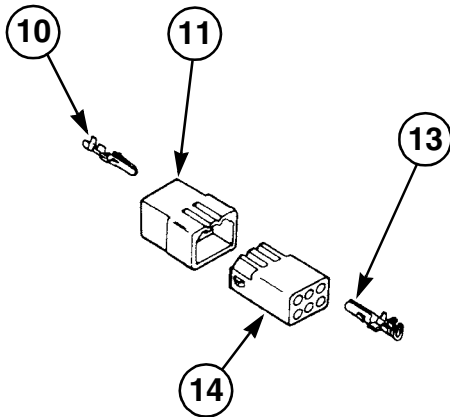
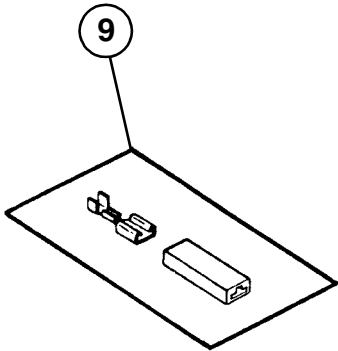
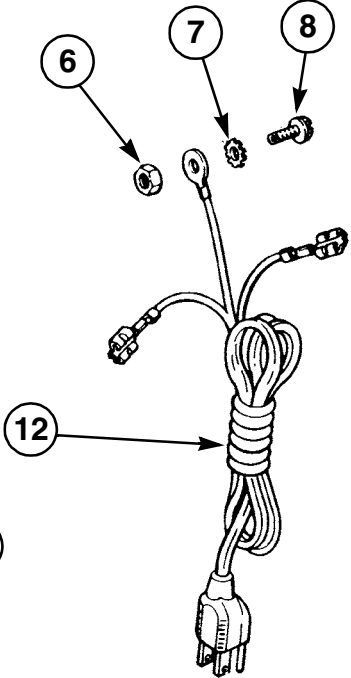
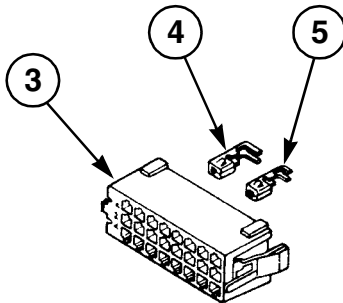
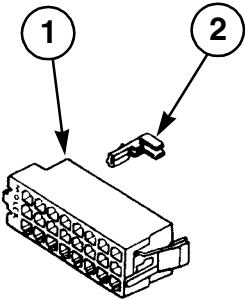
Front Panel, Cabinet and Base Assembly

REF	PART #	DESCRIPTION	COMMENTS
	26594P	Silicone Lubricant	Use on pads in base
1	23962	Screw	
2	27103	Hinge	
3	35867	Mounting Bracket	
4	N/A	Cover Plate	
5	27196	Screw	
6	434P3	Snubber Pad Kit	
7	31653P	Base Assembly	Includes items 6, 8 and 10
8	34319	Leveling Leg	
9	21749	Rubber Cup	Through Serial No. R826904620
	34318	Rubber Cup	Starting Serial No. R826904720
10	21899	Locknut	
11	56079	Panel Locator	
12	39733	Screw	
13	32708*P	Front Panel	
14	28835	Hold-Down Clip	
15	38612*P	Cabinet Kit	
16	56128	Bumper Pad	
17	51780	Screw	

* Add Letter to Designate Color. L - Almond W - White H - Harvest Gold (No longer available)

N/A = Part no longer available

Power Cord and Terminals



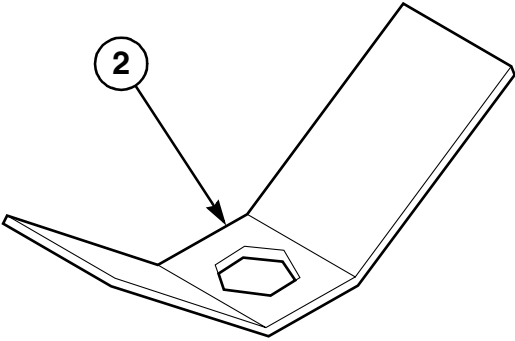
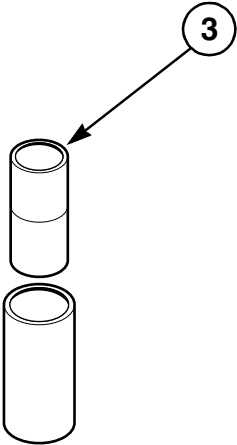
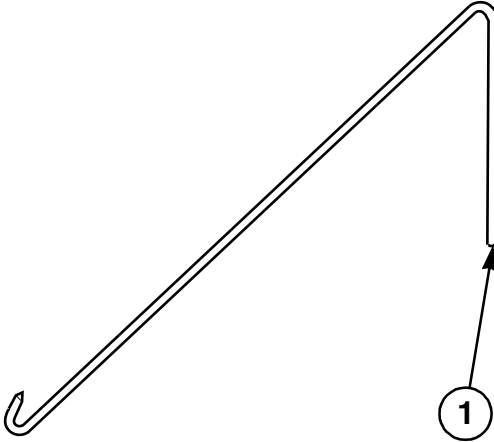
WA099-P

Power Cord and Terminals

REF	PART #	DESCRIPTION	COMMENTS
1	32746	Molex Housing	Right hand
	34123	Molex Housing	Left hand
2	00188	Molex Terminal	For 1- or 2-wire application
3	N/A	Amp Housing	
4	00183	Amp Terminal	2 wire
5	00180	Amp Terminal	1 wire
6	03673	Nut	
7	03815	Lockwasher	
8	20267	Screw	
9	00234	Terminal and Housing	
10	00116	Terminal	Male
11	26302	Terminal Block	1 circuit
	23041	Terminal Block	6 circuit
	23033	Terminal Block	9 circuit
12	34458	Power Cord and Plug	
13	00117	Terminal	Female
14	26301	Terminal Block	1 circuit
	26708	Terminal Block	6 circuit
	26163	Terminal Block	9 circuit
15	55881	Wire Tie	
16	00161	Ground Clip	
17	51291	Wire Clip	
18	504034	Wire Clip	
19	70210	Plastic Insulator	
20	00112	Spade Terminal	Small
21	00223	Spade Terminal	Large
22	N/A	Spade Terminal	Female; 1/4 inch
23	00120	Right Angle Flag Terminal	
24	00113	Eyelet Terminal	1/4 inch ring
25	00110	Eyelet Terminal	Small shank
26	21091	Connector	
27	29673	Double Connector	

N/A = Part no longer available

Special Tools

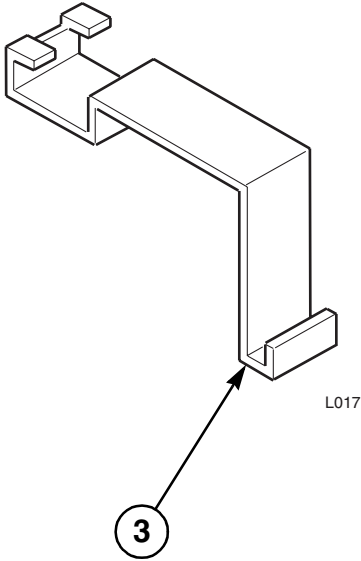
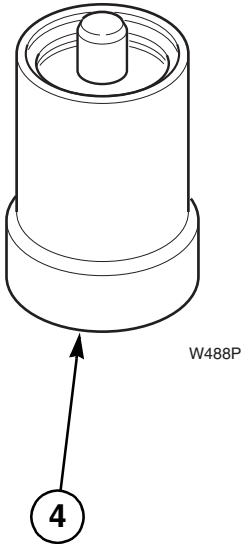
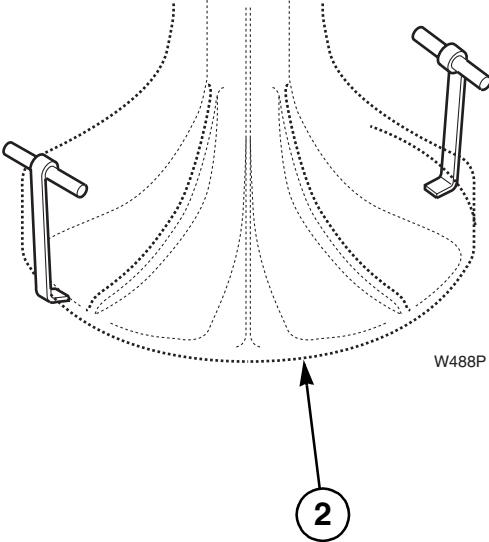
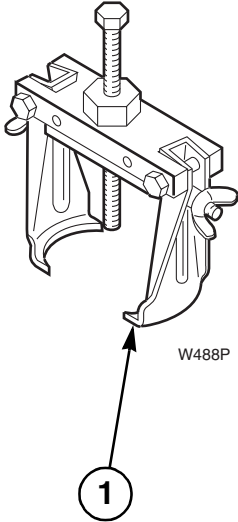


W417P

Special Tools

REF	PART #	DESCRIPTION	COMMENTS
1	321P4	Spring Hook	Use to remove 5 centering springs from outer tub
2	306P4	Hex Wrench	Use to remove hex locknut from washtub hub
3	242P4	Brake Spring Installer	

Special Tools



Special Tools

REF	PART #	DESCRIPTION	COMMENTS
1	294P4	Bell Tool	Use to remove and install drive bell to transmission shaft
2	254P4P	Agitator Hooks	Use to remove agitator from drive bell
3	273P4	Outer Tub Cover and Gasket Tool	Use to remove tub cover from outer tub and to install gasket in outer tub cover
4	N/A	Seal Tool	

N/A = Part no longer available

Wire Harnesses and Wires

Individual wires are not available separately. Order complete wire harness, or order wire by the foot. See chart at bottom of page.

MODEL NUMBER	BASE HARNESS	MIXING VALVE HARNESS	TIMER HARNESS	HOOD HARNESS	LID HARNESS	MOTOR HARNESS
EA1010 and EA1011 through Serial No. R8237277YK	32171P	33828 (replaces 32173)	39811	32497	N/A	28132
EA1011G starting Serial No. R8237278YK	32171P	33828	39811	N/A	—	28132
EA1020 and EA1021 through Serial No. R8237277YK	32170P	33828 (replaces 32173)	N/A	N/A	N/A	28131
EA1020G and EA1021G starting Serial No. R8237278YK	32170P	33828	34092	33805	—	28131
EA1110, EA1110P, EA1111 and EA1111P through Serial No. R8237277YK	32171P	33828 (replaces 32173)	39806P	32455	32496	28132
EA1110G, EA1110T, EA1111G and EA1111T starting Serial No. R8237278YK	32171P	33828	39806P	N/A	—	28132
EA1120, EA1120P, EA1121 and EA1121P through Serial No. R8237277YK	32170P	33828 (replaces 32173)	29281	32471	32496	28131
EA1120G, EA1120T, EA1121G and EA1121T starting Serial No. R8237278YK	32170P	33828	29281	33758	—	28131
EA1210 and EA1211 through Serial No. R8237277YK	32171P	33828 (replaces 32173)	39806P	32455	32496	28132
EA1210 starting Serial No. R8237278YK	32171P	33828	39806P	N/A	—	28132
EA1220, EA1220P and EA1221 through Serial No. R8237277YK	32170P	33828 (replaces 32173)	29281	32471	32496	28131
EA1220G, EA1220T and EA1221G starting Serial No. R8237278YK	32170P	33828	29281	33758	—	28131
EA1310 and EA1311 through Serial No. R8237277YK	32171P	33828 (replaces 32173)	32477	N/A	N/A	28132
EA1310G and EA1311G starting Serial No. R8237278YK	32171P	33828	32477	33766	—	28132
EA1420 and EA1421	32170P	—	N/A	N/A	—	28131
EA1510G	32171P	33828	34239	N/A	—	28132
EA1520, EA1520P and EA1521 through Serial No. R8237277YK	32170P	33828 (replaces 32173)	34175P	32471	32496	28131
EA1520G, EA1520T and EA1521G starting Serial No. R8237278YK	32170P	33828	34175P	33758	—	28131

N/A = Part no longer available

Order the individual wire color and gauge by the part number listed below. Order wire by the foot and terminals and connectors as required. It is recommended when applying terminals to wires that the terminals be soldered to the wires.

IMPORTANT: Always replace wires with proper gauge.

PART NUMBER	WIRE GAUGE	WIRE COLOR
45001	18 Gauge Wire	Black
45380	12 Gauge Wire	Orange

Parts Index

A

Actuator Arm 33441	27
Agitator 33513	37, 39
Agitator Hooks 254P4P	59
Agitator Pinion 27003	49
Amp Housing N/A	55
Amp Terminal 00180	55
00183	55
Anti-Seize Compound 27604P	47

B

Backflow Preventer 34280	29, 31
Balance Ring 34731P	47
Base Assembly 31653P	53
Bearing 28944R	45
Bearing Housing Assembly 27182	47
35746	45
Bell Tool 294P4	59
Belt 27155	35
28808	35
Bracket 27250	25
31842P	11, 19
Brake Assembly 38505P	45
Brake Pad Kit 548P3	45
Brake Spring Installer 242P4	57
Bumper 21685	23
32507	21
32648	11, 13, 15, 17, 19
Bumper Pad 56128	53
Bushing 27625	21
33446	23
36474	23

C

Cabinet Kit 38612*P	53
Cabinet Top 32453*P	21
33000*P	21
36120*P	23
36122*P	23
Capacitor Kit 258P3	35
Carriage Bolt 02505	5, 7, 9
29651	7
Catch 27149	21
Centering Spring 27239	41, 43
Clip 28849	35
33433	27
34762	13
N/A	25
Clothes Guard 32990	39
Clutch 29503	5, 7
Coin Funnel Kit 523P3	7
Connector 21091	55
Control 34522	13
Control and Bracket 33422P	17
Control Hood 37075*	11, 13, 15, 17
N/A	19
Control Hood Rear Panel 38267	11, 13, 15, 17
Control Knob 39897	11, 13, 15, 17, 19
Control Panel Frame 36521*	11, 13, 15, 17, 19
Control Panel Overlay 32460	11
32472	11
32479	15, 17
34699	13
34700	13
N/A	19
Counter Kit 62113P	5
Cover Plate N/A	53

D

Double Connector 29673	55
---------------------------------	----

Dowel Pin	
27172	49
Drain Hose	
28293	51
Drain Hose Elbow	
23553	51
Drive Bell and Seal Kit	
39508P	37, 39
Drive Pinion	
36562	49

E

Electronic Control Kit	
493P3	15
Eyelet Terminal	
00110	55
00113	55

F

Filter Washer	
N/A	29, 31
Flinger	
27187	47
Front Panel	
32708*P	53

G

Gasket	
27184	41
28094	37, 39
32857	43
34338	23
39122	37, 39
Grommet	
29175	41, 43
Ground Clip	
00161	35, 55

H

Helix	
27018	45
Helper Spring	
30620	35
Hex Wrench	
306P4	57
Hinge	
27103	53
27626	21
36437	23
36438	23
Hold-Down Clip	
28835	53
Hose	
27160	51
27183	29, 31
31140	29

33186	31
Hose Clamp	
20211	29, 31, 51
20391	51
29210	29, 31
35370	29, 31
36801	29, 31
Hose Coupler	
25863	51
Hose Washer	
20290	29, 31
Hub and Seal Kit	
495P3	37, 39

I

Idler Lever	
31054	35
Idler Pulley	
28800	35
Idler Shaft	
28802	35
Idler Spring	
37366	35
Indicator Light	
32422	15, 17
32463	11, 13, 19
32464	11, 13, 19
32465	15, 17
32466	11, 13, 19
Inlet Hose	
28330P	29, 31
Inlet Screen	
F270200	33
Input Shaft	
27081	49
Instruction Plate	
N/A	19
Internal Gear	
26577	49

K

Knurled Nut	
24205	11, 13, 15, 17, 19

L

Latching Relay	
30616	19
Leg Plate	
27926	41, 43
N/A	41, 43
Leveling Leg	
34319	53
Lever	
27602	25
33442	27
Lint Filter	
33521	37

Loading Door	
200890*P	21
200893*P	23
32457*P	21
33845*P	23
Locking Bracket	
30642	5, 7
Locknut	
21899	53
27201	35
29220	37, 39
52566	35
Lockwasher	
02431	9, 11, 13, 17, 19, 47
03815	15, 17, 41, 55
04366	47
21456	5, 7, 9, 49
91176	11, 13, 15, 17, 19
M400017	9, 11, 13, 15, 17, 19

M

Meter Case Gasket	
26354	5, 7
Meter Case Kit	
524P3*	5, 7
Mixing Valve Assembly	
33930P	33
Mixing Valve Mounting Bracket	
39407	29, 31
Mixing Valve Solenoid	
33930A	33
Molex Housing	
32746	55
34123	55
Molex Terminal	
00188	55
Motor	
27179P	35
27658P	35
Motor Mounting Bracket	
28791	35
Motor Pulley	
27104	35
N/A	35
Motor Shield	
27136	35
Motor Switch	
30897AP	35
Mounting Bracket	
27105	51
35867	53

N

Nut	
03673	15, 17, 55
20275	5, 7, 9, 11, 13, 17, 19
21752	21
23604	35
23951	17
28803	35
29796	7
35322	13

36020	21, 23
N/A	25, 29

O

Outer Tub	
33178	43
507P3	41
Outer Tub Cover	
31153	41
33184P	43
Outer Tub Cover an Gasket Tool	
273P4	59
Output Shaft	
36570P	49

P

Panel Locator	
56079	53
Pivot Dome	
27124	45
Plastic Insulator	
70210	55
Plug	
29901	41
Plug Button Lock	
57916	19
Power Cord and Plug	
34458	55
Pressure Bulb	
30907	41, 43
Pressure Hose	
32372	41, 43
39124	41, 43
Pressure Switch	
28615	11, 13, 19
31266	15, 17
Pulley	
34232P	45
Pump Assembly	
31969	51
Pump-to-Elbow Hose	
27161	51
Push Nut	
29043	25

R

Rack	
31526	49
Relay	
31738	19
Retainer Nut	
27222	47
30647	5, 7
Retainer Ring	
23748	35
27197	49
Right Angle Flag Terminal	
00120	55

Rivet	
26351	9
56534	21, 23
Roll Pin	
10416	35
N/A	35
Rubber Cup	
21749	53
34318	53
Rubber Motor Mount	
N/A	35

S

Screw	
02916	9, 11, 13, 15, 17, 19
03814	17
20267	15, 17, 55
21720	5, 7, 19
23222	11, 13, 19
23962	9, 11, 13, 15, 17, 19, 27, 29, 31, 53
26516	25
27030	49
27196	53
27202	37, 39
27220	45
27328	9
28193	25
31098	51
31260	7
32814	49
33562	21, 23
34337	23
35369	41, 43, 45
36048	5
39733	53
503661	35, 41, 51
503673	5, 7
51778	9
51780	53
52864	11, 13, 15, 17, 19
52909	23, 51
80399	9
M400057	47
N/A	15, 17, 47
Screw and Lockwasher	
27203	21
Seal Tool	
N/A	59
Sealant	
37577P	49
Sensor Control	
35026	7
Service Door	
35798*	5, 7
Shield	
29042	25
Shoulder Bolt	
27229	35
Shoulder Screw	
26547	45
502431	5, 7
Silicone Lubricant	
26594P	53
Siphon Break Kit	
562P3	51

Sleeve	
29993	45
Slide	
26493	49
Snubber Pad Kit	
434P3	53
Spacer	
27176	45
N/A	35
Spade Terminal	
00112	55
00223	55
N/A	55
Speed Switch	
27762	11, 13, 19
Spline Insert	
29728	37, 39
Spring	
27017	41
33435	45
33443	27
N/A	25
Spring Hook	
321P4	57
Sticker	
24903	21, 23
53738	9
Strain Relief	
38384	21, 23
Support	
34896	13
Support Leg	
27090	45
Switch	
27612	25
27762	15, 17
33527	27
34536	7
34599	7
Switch Holder	
36497P	27

T

Temperature Switch	
81799	11, 13, 15, 17, 19
Terminal	
00116	55
00117	55
Terminal and Housing	
00234	55
Terminal Block	
23033	55
23041	55
26163	55
26301	55
26302	55
26708	55
Timer	
31111P	5
34601P	5
34602P	5, 7
N/A	7, 9, 19

Timer Bracket 35249	5	Wire Tie 55881	55
Timer Case 37733*	9	Wire, 12 Gauge 45380	60
Timer Knob Assembly 26256	9	Wire, 18 Gauge 45001	60
Timer Plate 31864*	9		
Transmission Assembly 33227P	47		
Transmission Case Assembly 33223P	49		
Transmission Cover Assembly 38287P	49		
Transmission Oil 27243P	49		
Transmit Light 34701	13		
Transmit Switch N/A	13		
Trigger N/A	41		

W

Washer	
03888	35
20212	49
21734	9
26509	45, 49
29443	35
30627	5, 7, 9
32651	45
35321	13
35774	5, 7
35917	5, 7, 9
52549	35
81392	35
Washtub	
39252P	37, 39
39387P	37, 39
Wire Clip	
504034	55
51291	55
Wire Harness	
28131	60
28132	60
29281	60
32170P	60
32171P	60
32455	60
32471	60
32477	60
32496	60
32497	60
33758	60
33766	60
33828	60
34092	60
34175P	60
34239	60
39806P	60
39811	60
Wire Harness Clip N/A	7