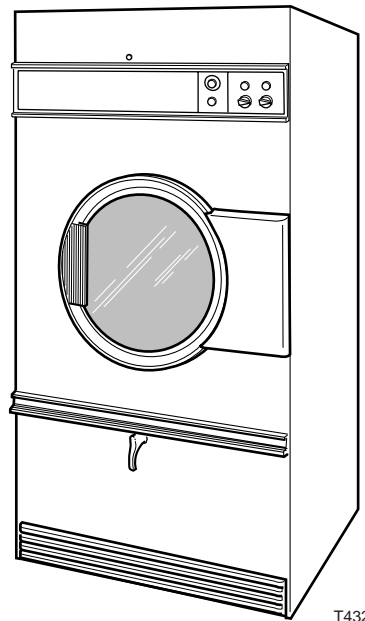


Drying Tumblers

50 Pound Capacity
See Page 4 for Model Numbers



T4321

Table of Contents

Title	Page
Parts Ordering Information	3
Nameplate Location	3
Model Identification	4
Control Panel Assembly	6
Coin Meter	8
Control Panel Components	10
OPL 120 Volt Micro Control	12
OPL 24 Volt Micro Control	14
Front Control Box Area	16
Coin Vault and Coin Drawer	18
Front Panel, Access Panel, and Top Cover	20
Loading Door and Hinge	22
Lint Compartment Area	24
Cylinder and Trunnion Assemblies	26
Trunnion Housing and Sprockets	28
Idler Drive Components For Nonreversing Belt/Chain Drive	30
Idler Drive Components For Belt/Chain Drive Reversing Models	32
Drive Components For Belt/Belt Drive Reversing Models	34
Idler Housing Assembly For Belt/Belt Drive Reversing Models	36
Idler Drive Components For Nonreversing Belt/Belt Drive	38
Idler Housing Assembly For Belt/Belt Drive Nonreversing	40
Fan and Motor Components	42
Cylinder Drive Motor and Components – Reversing Models	44
Cylinder Motor Bracket	46
Cylinder Drive Motor and Components	48
Standing Pilot Ignition Burner Assembly	50
Standing Pilot Ignition Gas Valve Components	52
Automatic Pilot Ignition Burner Assembly	54
Glow Bar Ignition Burner Assembly	56
Glow Bar Ignition Gas Valve Components	58
Glow Bar Ignition Burner Assembly	60
Glow Bar Ignition Gas Valve Coil and Wires	62
Instant Electronic Ignition Burner Assembly	64
Instant Electronic Ignition Gas Valve Coil and Wires	66
Air Flow Switch Assembly	68

© Copyright 1999, Alliance Laundry Systems LLC

All rights reserved. No part of the contents of this book may be reproduced or transmitted in any form or by any means without the expressed written consent of the publisher.

Electric Heater Components	70
Electric Heater Components	72
Contactora Box - Electric	74
Reversing Control	76
Contactora Box Assembly for OM Models	78
Contactora Box Assembly for OM Non-Reversing	80
Contactora Box Assembly for OM Non-Reversing Electric Models	82
Contactora Box Assembly for OM Reversing Models.....	84
Contactora Box Assembly for OM Reversing Models.....	86
Accessory Box - Electric OM Models.....	88
Junction Box	90
Steam Heater and Valve.....	92
Standard Connection Motor Usage Table	94
Quick Connect Motor Usage Table.....	95
Gas Burner Orifice Chart	96
Wire Harness Table	97
Control Panel Table	99
Coin Drop Table.....	100
Parts Index.....	101

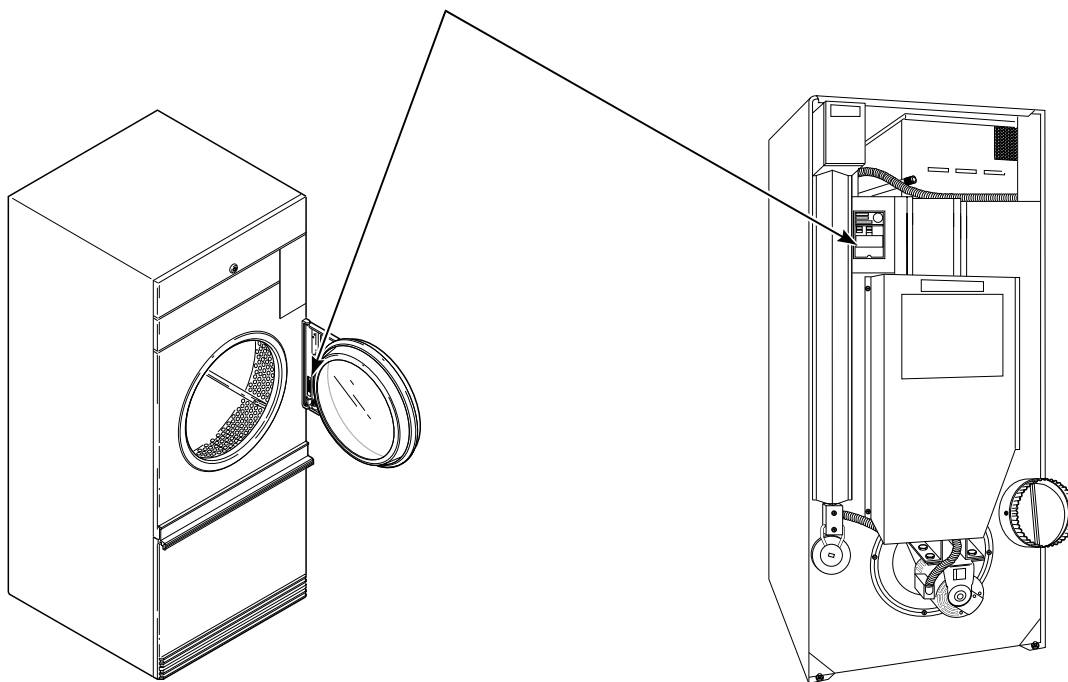
Parts Ordering Information

If literature or replacement parts are required, contact the source from whom the machine was purchased or contact Alliance Laundry Systems at (920) 748-3950 for the name and address of the nearest authorized parts distributor.

For technical assistance, call (920) 748-3121.

Nameplate Location

When calling or writing about your product, be sure to mention model and serial numbers. Model and serial numbers are located on nameplate(s) as shown.



T419IE3B

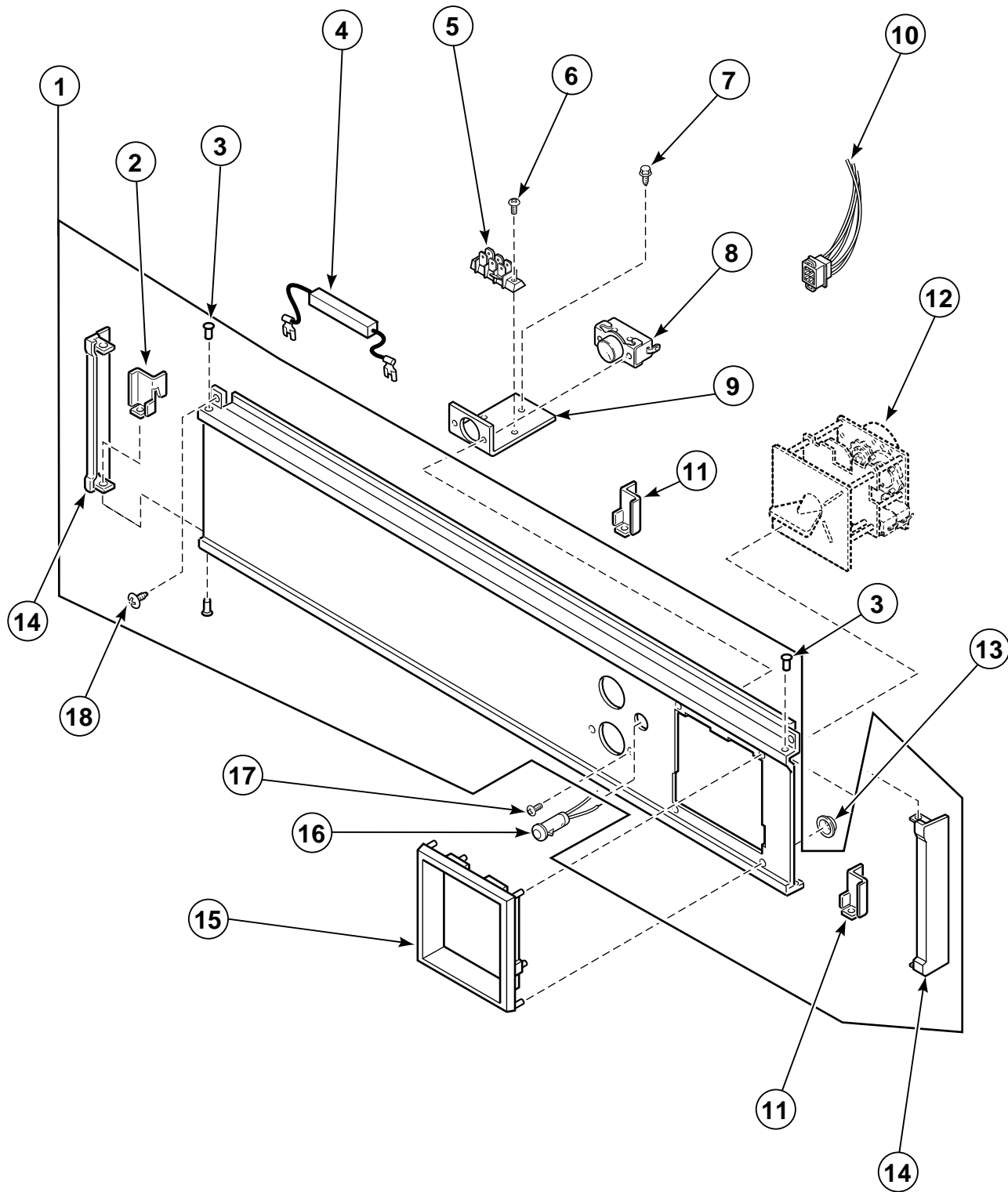
Model Identification

Information in this manual is applicable to these tumbler models:

<p>Gas</p>	<p>DTB50CG DTB50EG JC50CG JC5B50CG JC50EG JCB50EG JT37CG JT37EG JT37CGI JT37EGI JT50CG JT50EG JT50CGI JT50EGI JTB50CG JTB50EG SC50CG SC50EG SCB50CG SCB50EG ST37CG ST37CGI ST37EG ST37EGI ST50CGI ST50EGI STB50CG STB50EG TKD50CGMT</p>
<p>Electric</p>	<p>DTB50CE JC50CE JCB50CE JT37CE JT50CE JTB50CE ST37CE STB50CE SC50CE SCB50CE TKD50CEMT</p>
<p>Steam</p>	<p>DTB50CSH CTB50CSL JC50CSH JCB50CSH JT37CSH JT37CSL JT50CSH JTB50CSH JT50CSL JTB50CSL ST37CSH ST37CSL STB50CSH STB50CSL SC50CSH SCB50CSH</p>

Control Panel Assembly

Rotary Coin Drop Models



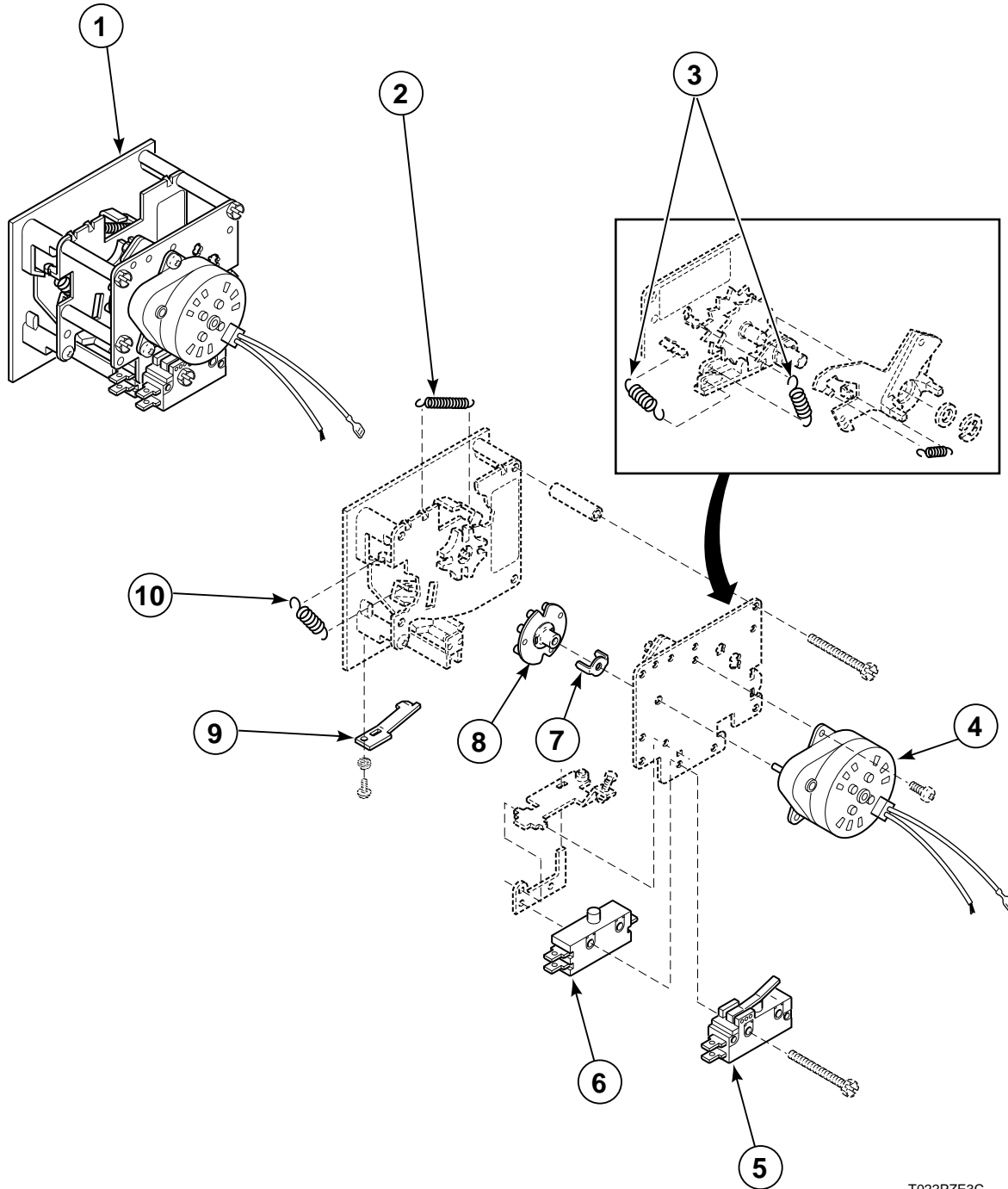
T020PZ3D

Control Panel Assembly

Rotary Coin Drop Models

REF	PART #	DESCRIPTION	COMMENTS
1		Control Panel	See Table on Page 99
2	M401301	Retainer	Left
3	M405750	Pop Rivet	
4	M400527	Resistor	For 208-240 Volt, 60 Hertz Greenwald Timers
5	M400000	Terminal Block	
6	M400071	Screw	
7	M402917	Ground Screw	
8	M400954	Switch, Push To Start	
9		Bracket	No Longer Available
10	M403924	Wire Harness	See Table Page 97
11	M401302	Retainer	Right
12		Coin Drop	See Table Page 100
13	M400675	Speed Nut	
14	M401328	End Cap	
15	M403414	Shadow Box	
16	M404151	Light	120 Volt Control Circuit
	M404852	Light	208-240 Volt Control Circuit
17	M400072	Screw	
18	33562	Screw	

Coin Meter



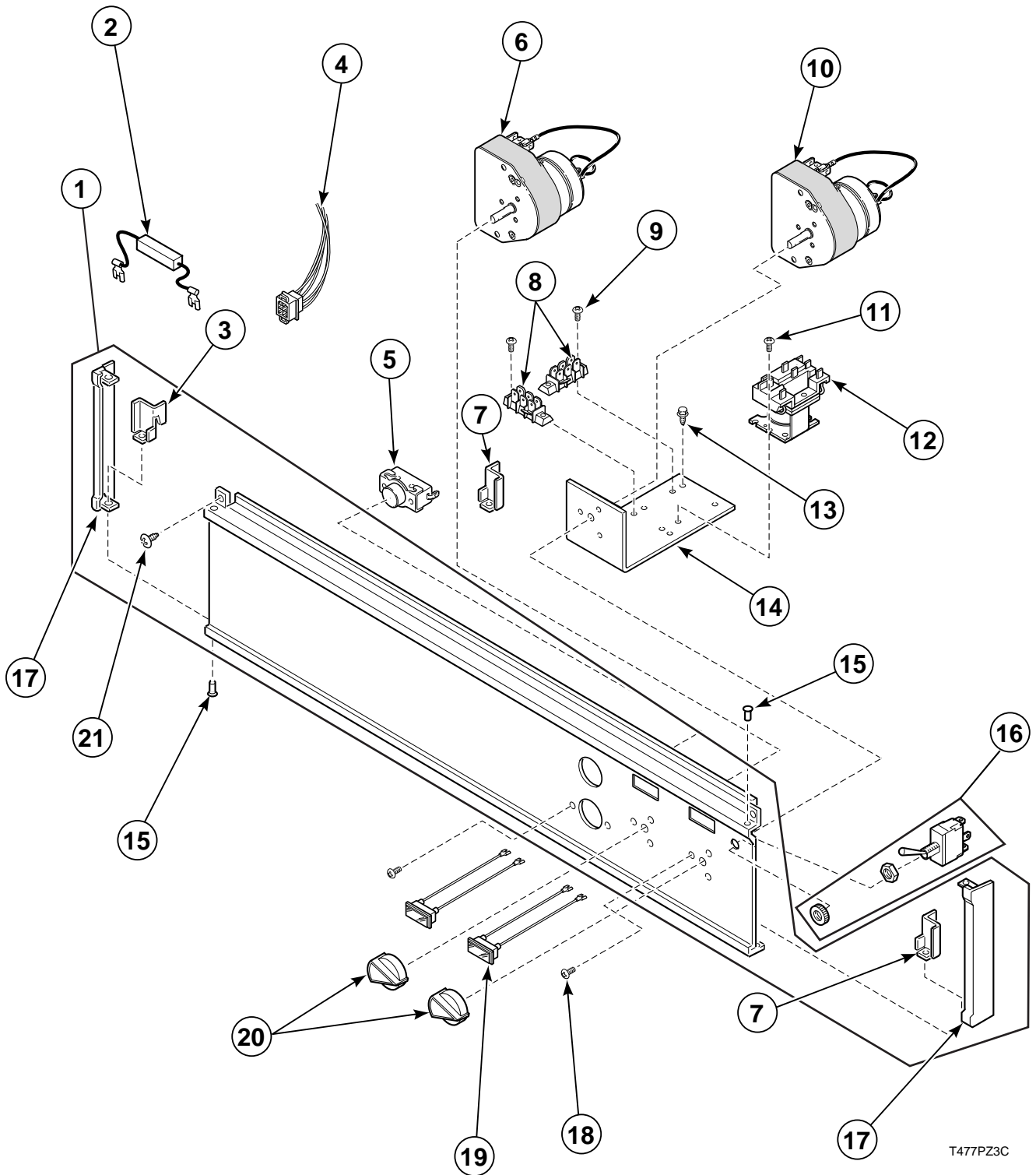
T022PZE3C

Coin Meter

REF	PART #	DESCRIPTION	COMMENTS
1		Rotary Coin Drop	See Table on Page 100
2	M405138B	Spring, Return	
3	M402455	Spring	
4	M400609	Timer Motor	1/60 RPM, 120 Volt, 60 Hertz
	M400611	Timer Motor	1/60 RPM, 240 Volt, 60 Hertz
	M410789	Timer Motor	1/30 RPM, 240 Volt, 50 Hertz
5	M400947	Switch, Heat "B"	
6	M400001	Switch, Run "A"	
7	M400754	Fork, Timing Cam	
8	M400732P	Timing Cam with Fork	10 Pin
	M400733P	Timing Cam with Fork	12 Pin
	M400734P	Timing Cam with Fork	2 Pin
	M400735P	Timing Cam with Fork	3 Pin
	M400736P	Timing Cam with Fork	4 Pin
	M400737P	Timing Cam with Fork	5 Pin
	M400738P	Timing Cam with Fork	6 Pin
	M400739P	Timing Cam with Fork	7 Pin
	M400740P	Timing Cam with Fork	8 Pin
	M400741P	Timing Cam with Fork	9 Pin
9	M406297	Retainer	
10	M405138A	Spring, Coin Carrier	

Control Panel Components

Manual Dual Timers



T477PZ3C

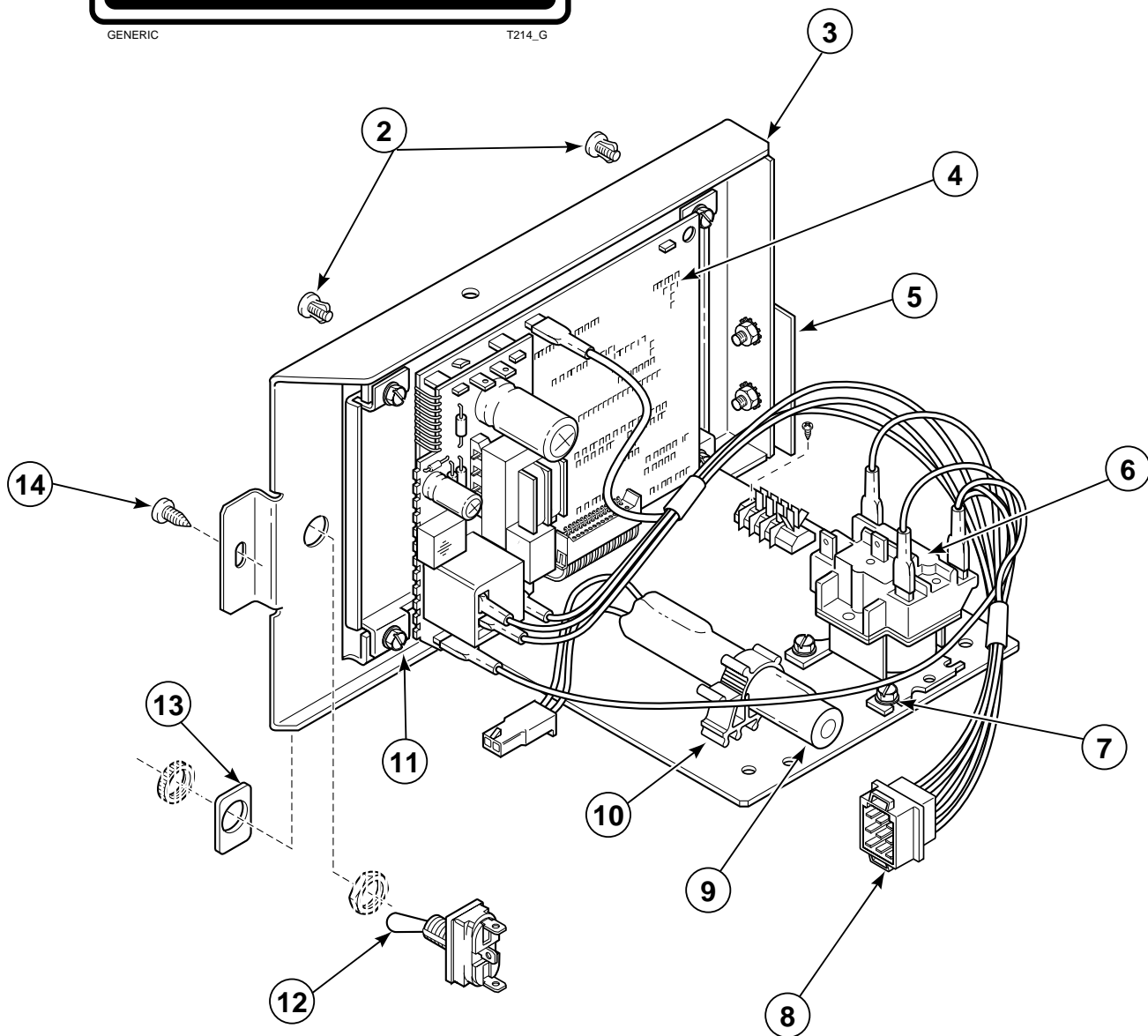
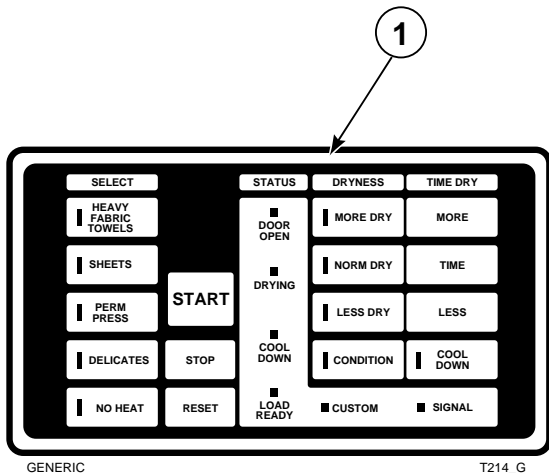
Control Panel Components

Manual Dual Timers

REF	PART #	DESCRIPTION	COMMENTS
1		Control Panel	See Table on Page 99
2	M410992	Resistor	For 208-240 Volt, 60 Hertz CE, CSH, CSL Models
	M400527	Resistor	
3	M401301	Retainer	Left
4		Wire Harness	See Table on Page 97
5	M400954	Switch, Push To Start	
6	M410900P	Cooling Timer	15 Minutes, 60 Hertz
	M410902P	Cooling Timer	15 Minutes, 50 Hertz
7	M401302	Retainer	Right
8	M400000	Terminal Block	
9	M400071	Screw	
10	M410901P	Drying Timer	60 Minutes, 60 Hertz
	M410903P	Drying Timer	60 Minutes, 50 Hertz
11	M400072	Screw	
12	M400911	Relay	For 208-240 Volt, 50-60 Hertz, CE, CSH, CSL Models
	M400912	Relay	For 120 Volt, Control Circuit
13	M402917	Ground Screw	
14	M401318	Bracket	
15	M405750	Pop Rivet	
16	M400945	Switch	Reversing Models Only
17	M401328	End Cap	Left & Right
18	M411052	Screw	
19	M400703	Light	120 Volt, Control Circuit
	M400704	Light	208-240 Volt, Control Circuit
20	M400777	Timer Knob	DT/ST Models - Black With Silver Arrow
	M410927	Timer Knob	JT Models - Brown
21	33562	Screw	

OPL 120 Volt Micro Control

MM Models



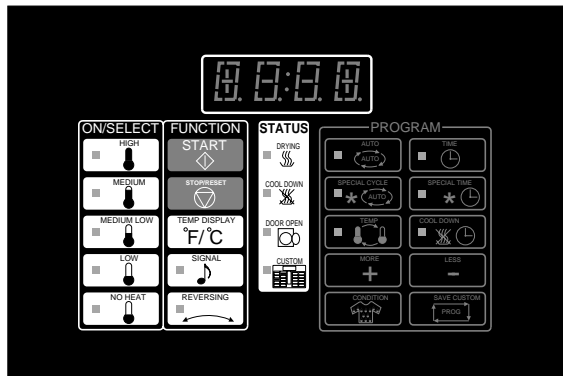
OPL 120 Volt Micro Control

MM Models

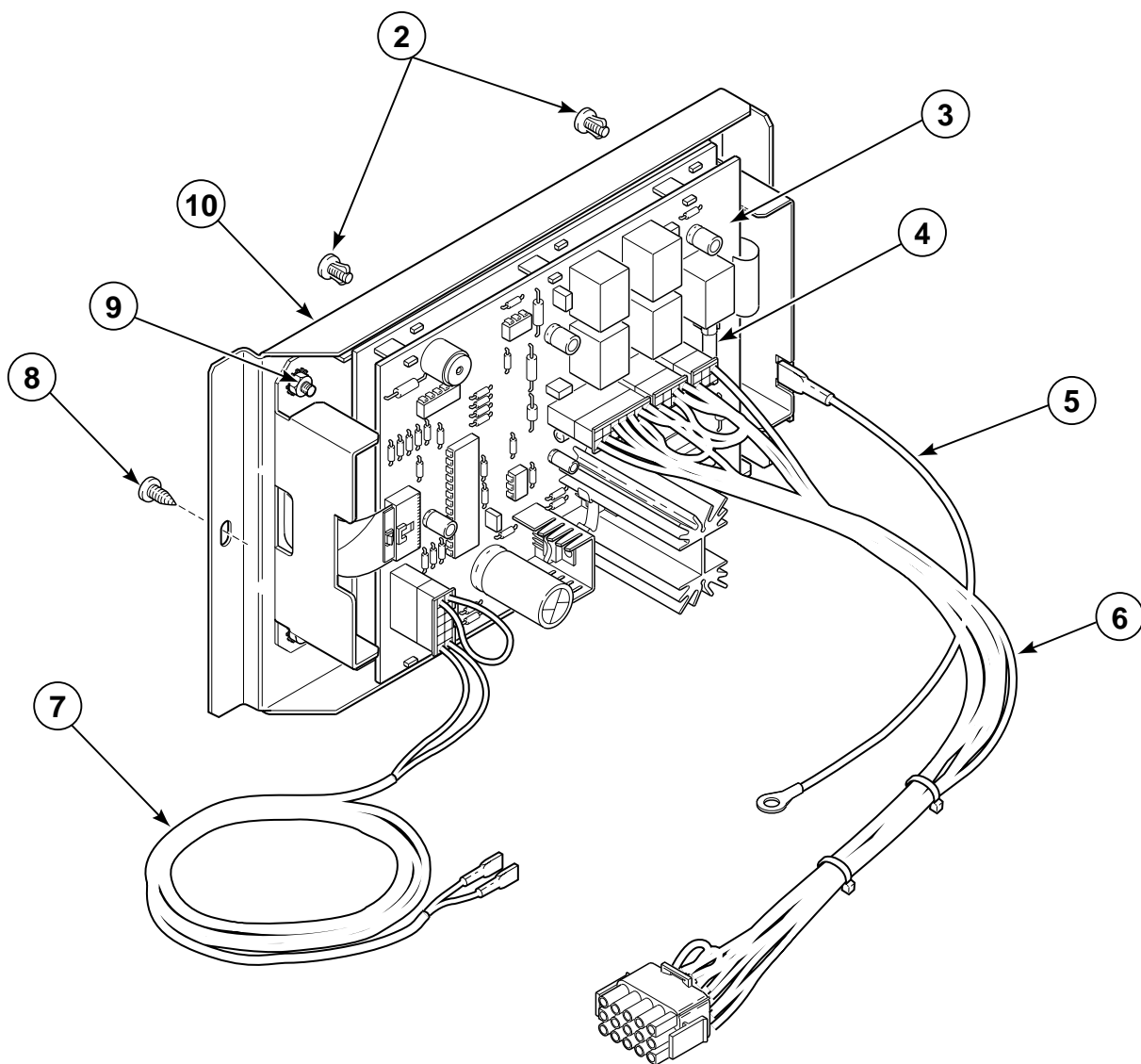
REF	PART #	DESCRIPTION	COMMENTS
1	M410682	Overlay, Micro Control	ST/STB Models
	M410704	Overlay, Micro Control	JT Models
	M412961	Overlay, Micro Control	DT/DTB Models
2	M410665	Plug, Plastic	
3	M410800	Mounting Plate	
	M413397	Mounting Plate	
4	M410786P	Control, Microprocessor	120 Volt
5	M411390	Hinge, Female	
6	M410529	Relay	1 Phase Models Only
7	M400044	Screw	
8	M411076	Harness, Control	Nonreversing, 1 Phase
	M411073	Harness, Control	Nonreversing, 3 Phase
	M411182	Harness, Control	Reversing, 3 Phase
9	M410826	Battery	
10	M411231	Clamp	
11	M410799	Screw	
12	M400945	Switch	Reverse/Nonreverse Toggle Type - Reversing Models Only
	M413270	Switch	Reversing Models Only
13	M410854	Overlay	Reverse/Nonreverse Switch - For Toggle Switch
14	M400664	Screw	
REF	M413236	Switch Plate	Not Shown
	M410708	Harness, Temperature Sensor	

OPL 24 Volt Micro Control

OM Models



T382PZ3A



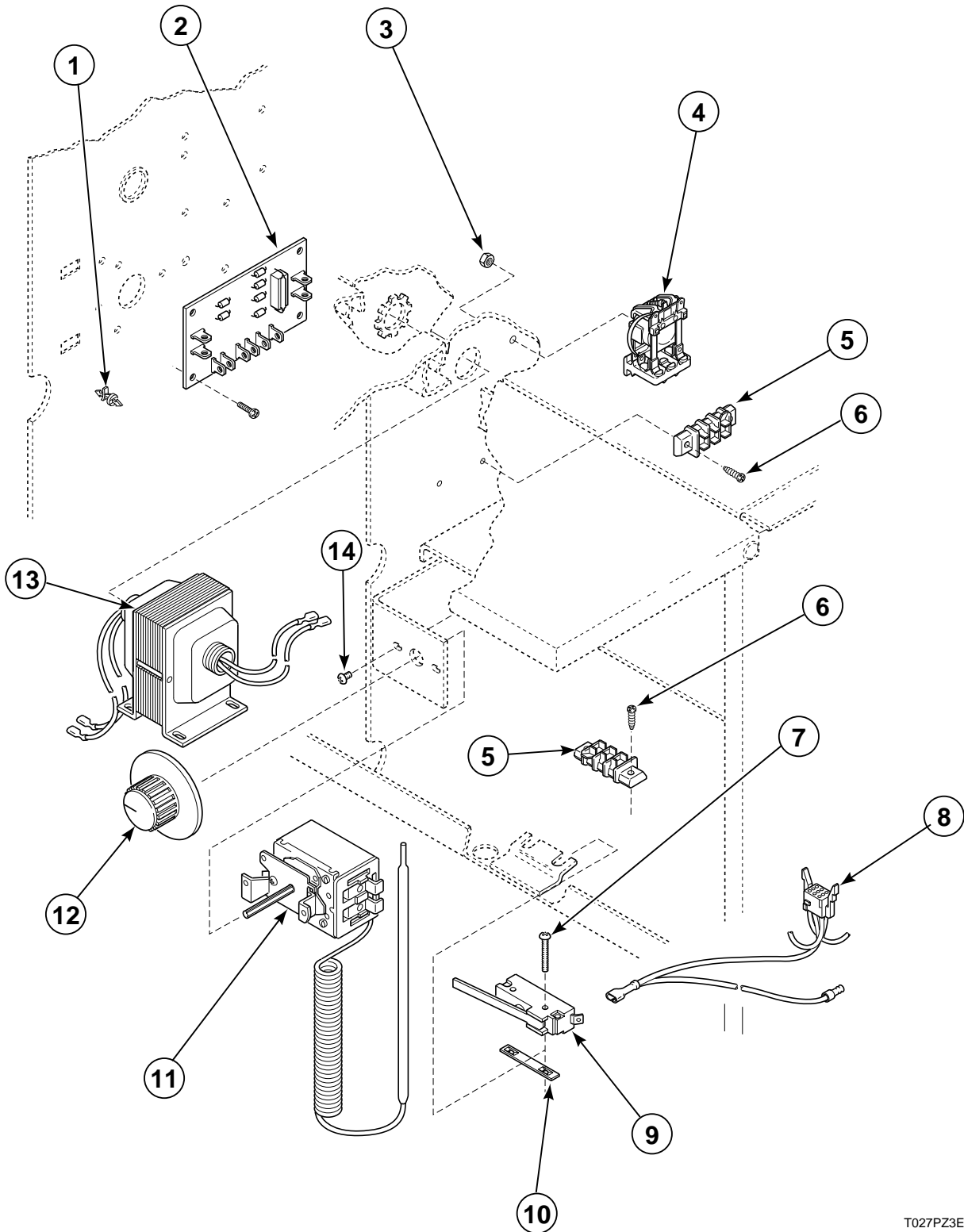
T382PZ3D

OPL 24 Volt Micro Control

OM Models

REF	PART #	DESCRIPTION	COMMENTS
1	M413417	Overlay, Microprocessor	STB Nonreversing
	M413418	Overlay, Microprocessor	STB Reversing
	M413419	Overlay, Microprocessor	SCB/DCB Nonreversing
	M413420	Overlay, Microprocessor	SCB,DCB Non Reversing
	M413421	Overlay, Microprocessor	JT/JTB Nonreversing
	M413422	Overlay, Microprocessor	JTB Reversing
	M413423	Overlay, Microprocessor	JCB Nonreversing
	M413424	Overlay, Microprocessor	JCB Reversing
	M413425	Overlay, Microprocessor	DTB Nonreversing
	M413426	Overlay, Microprocessor	DTB Reversing
2	M410665	Plug, Plastic	
3	M413498P	Control, Microprocessor	24 Volt
4	M414104	Fuse	2 Amps - Located on Back of Control
5	M412645	Ground Wire	
6	M413677	Harness, Control	
7	M413559	Harness, Sensor Cable	Nonreversing
	M413550	Harness, Sensor Cable	Reversing
8	430497	Screw	
9	70054	Nut	
10	M413427	Mounting Plate	

Front Control Box Area

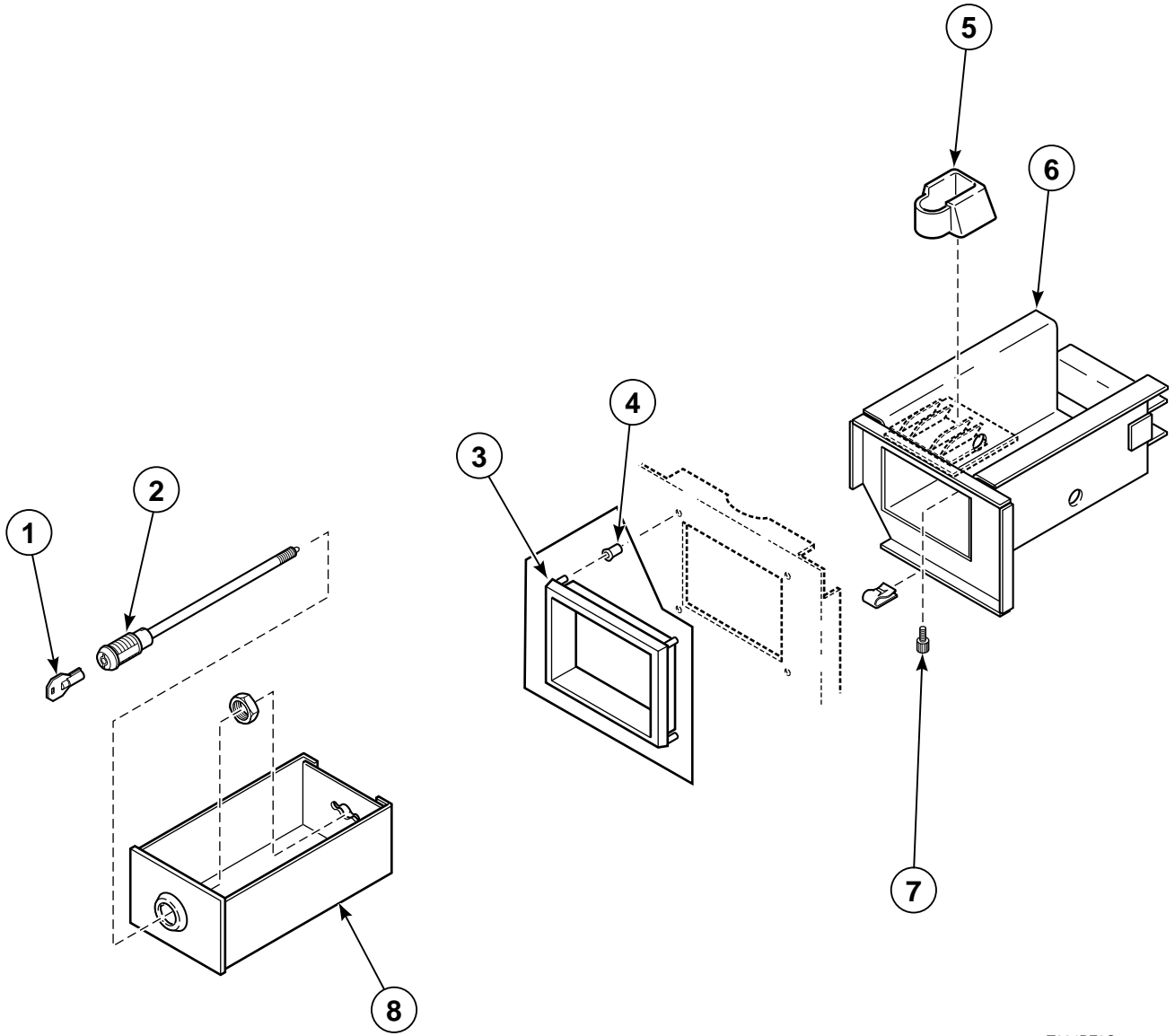


T027PZ3E

Front Control Box Area

REF	PART #	DESCRIPTION	COMMENTS
1	M405979	Standoff	White Rogers Glo Bar Ignition
2	M405897	Diode Logic Board	White Rogers Glo Bar Ignition
3	02788	Nut	Johnson Glo Bar Ignition
4	M402779	Relay	Johnson Glo Bar Ignition
5	M400000	Terminal Block	
6	M400071	Screw	
7	Q6516	Screw	
8		Wire Harness	See Table on Page 97
9	M400952	Switch, Door	
10	M400981	Twin Speed Nut	
11	M400780	Thermostat, Adjustable	
12	M400777	Knob, Temperature	Black - DT/DTB/ST/STB Models
	M410928	Knob, Temperature	Brown - JT/JCB Models
13	M401199	Transformer	120 Volt-24 Volt
	M402649	Transformer	208 Volt-24 Volt
	M402650	Transformer	240 Volt-24 Volt
14	M400072	Screw	
REF	M401391	Transformer	Not Shown, 208-240 Volt Reversing Gas Models 480 Volt Steam Models

Coin Vault and Coin Drawer



T024PZ3C

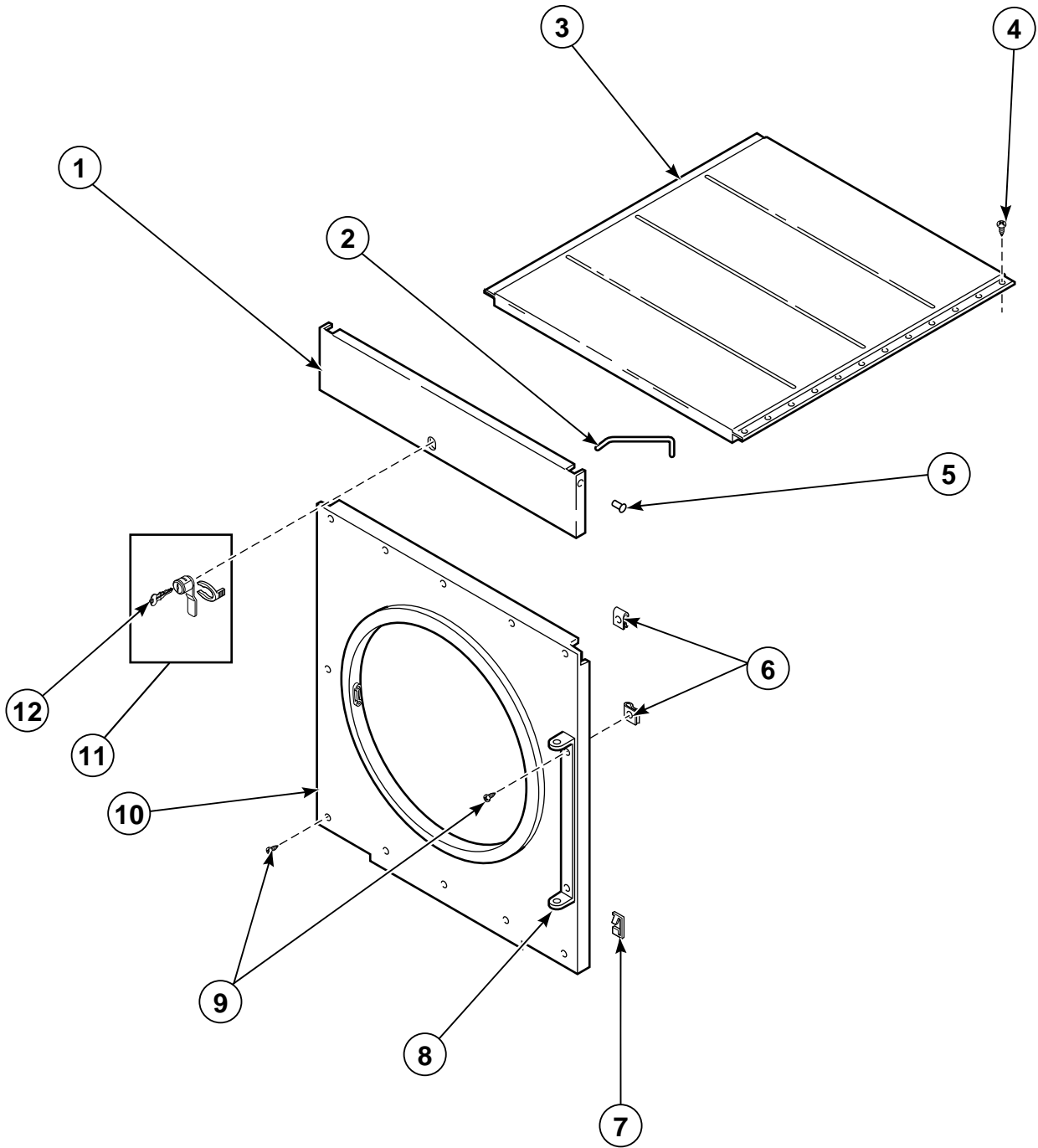
Coin Vault and Coin Drawer

REF	PART #	DESCRIPTION	COMMENTS
1	M401701	Key For Coin Drawer Locks	Specify HMX Key Code
2	M401581	Lock For Short Coin Drawer	Specify HMX Key Code
	M412004	Lock For Long Coin Drawer	Specify HMX Key Code
3	M400131P	Shadow Box, Coin Drawer With Clips	
4	M400972	Barrel Clip	
5	M411882	Coin Chute	
6	M400495L	Assembly, Coin Vault For Short Drawer	Prior To Serial Numbers Starting With 9401
	M412085L	Assembly, Coin Vault For Long Drawer	For Serial Numbers Starting With 9401
7	M400655	Screw	
8	M402582*	Coin Drawer	Short
	M411890*	Coin Drawer	Long

* Add letter to designate color.

V – Orange	B – Battina Green
K – Red	H – Harvest Gold
L – Almond	X – Electric Blue
W – White	P – Turquoise

Front Panel, Access Panel, and Top Cover



T029PZ3C

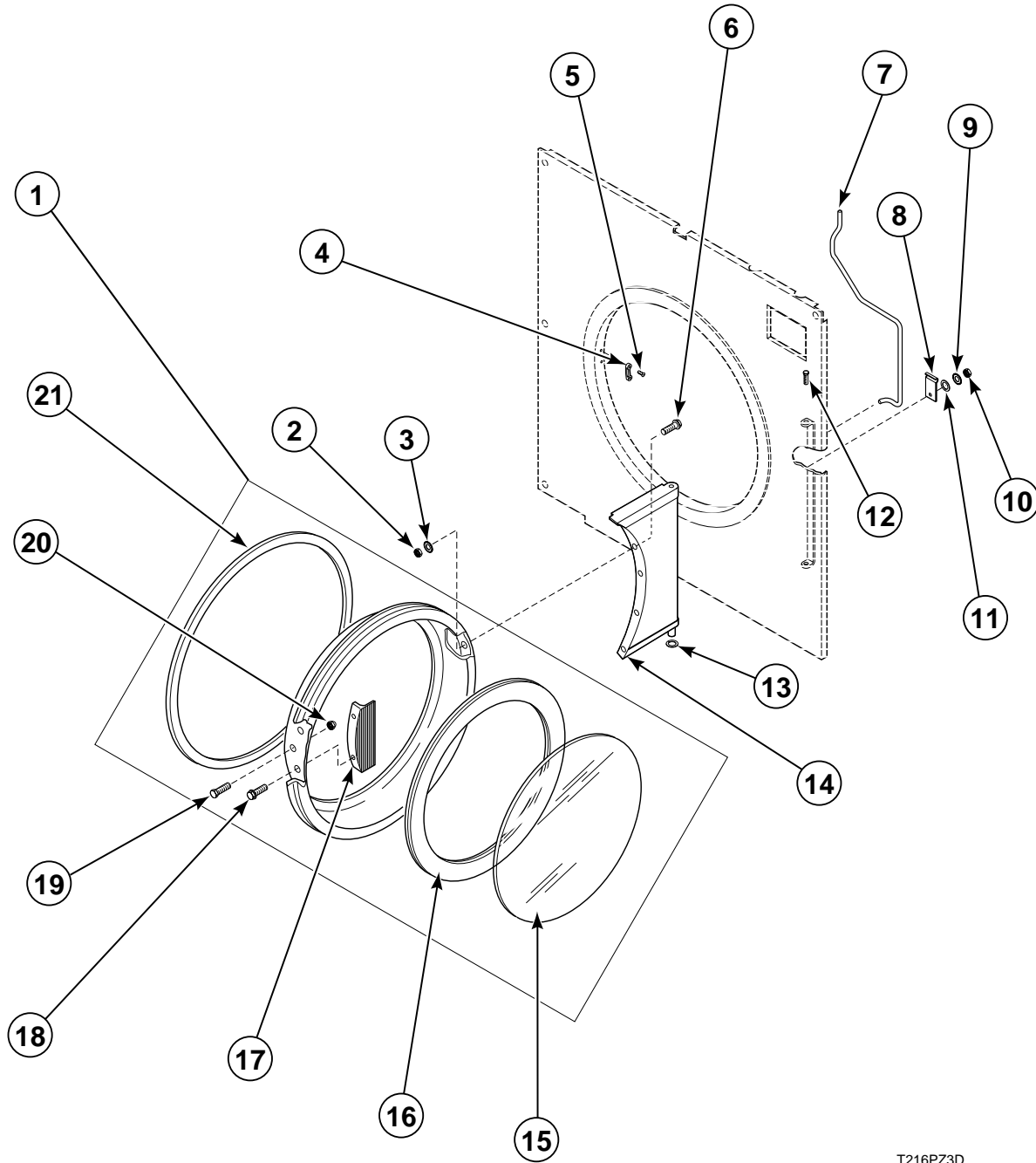
Front Panel, Access Panel, and Top Cover

REF	PART #	DESCRIPTION	COMMENTS
1	M400842	Top Access Panel	Stainless Steel - All Except OPL Models
	M414349*	Top Access Panel	Painted - All Except OPL Models
	M410801*	Top Access Panel	Painted - OPL Micro Models
	M410802	Top Access Panel	Stainless Steel - OPL Micro Models
2	M400604	Support Rod	
3	M401306	Top Cover	
4	430497	Screw	
5	M400713	Drive Rivet	
6	M400984	Clip	
7	M400975	Clip	
8	431000*	Hinge Bracket	Included With Front Panel Assembly - Painted
	431044	Hinge Bracket	Included With Front Panel Assembly - Stainless Steel
9	M401902	Screw	
10	M410758*	Assembly, Front Panel	Coin - Painted
	M410760	Assembly, Front Panel	Coin - Stainless Steel
	M411129*	Assembly, Front Panel	MT/OPL - Painted
	M411119	Assembly, Front Panel	MT/OPL - Stainless Steel
11	M404101	Lock and Key H MV10	
12	M401680	Key For Panel Lock H MV10	

* Add letter to designate color.

V – Orange	B – Battina Green
K – Red	H – Harvest Gold
L – Almond	X – Electric Blue
W – White	P – Turquoise

Loading Door and Hinge



T216PZ3D

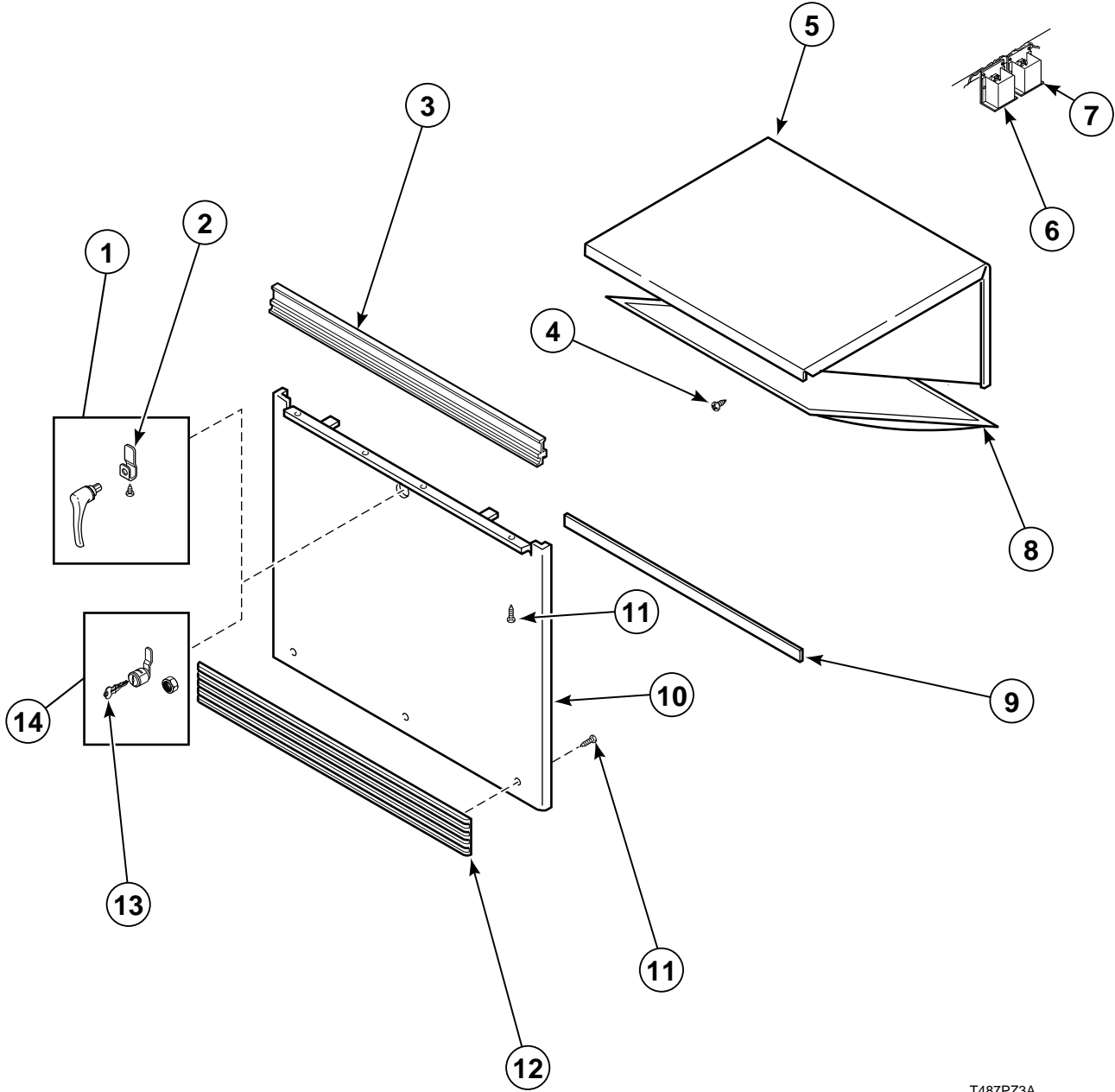
Loading Door and Hinge

REF	PART #	DESCRIPTION	COMMENTS
1	430475	Door Assembly	Bar Handle
	M400447	Door Assembly	Chrome Handle
	M410887	Door Assembly	Cocoa Handle
2	Q6163	Nut	
3	03815	Lockwasher	
4	M401223	Door Catch	
5	M400003	Pop Rivet	
6	M400044	Screw	
7	M400603	Switch Rod	
8	M400402	Clip	
9	91093	Lockwasher	
10	20275	Nut	
11	03189	Flat Washer	
12	M400653	Hinge Bolt	
13	M400675	Nylon Washer	
14	M400514	Door Hinge	Stainless Steel
	M402714*	Door Hinge	Painted
15	M400784	Door Glass Plain	
	M410885P	Door Glass With Logo For M410887	
16	M400962	Door Glass Seal	
17	430117	Door Handle	Bar Type
	M400133	Door Handle	Chrome
	M410918	Door Handle	Cocoa
18	M409385	Screw	
19	M400661	Door Strike Screw	
20	M400645	Acorn Nut	
21	M406129	Door Rim Seal	

* Add letter to designate color.

V – Orange	B – Battina Green
K – Red	H – Harvest Gold
L – Almond	X – Electric Blue
W – White	P – Turquoise

Lint Compartment Area



T487PZ3A

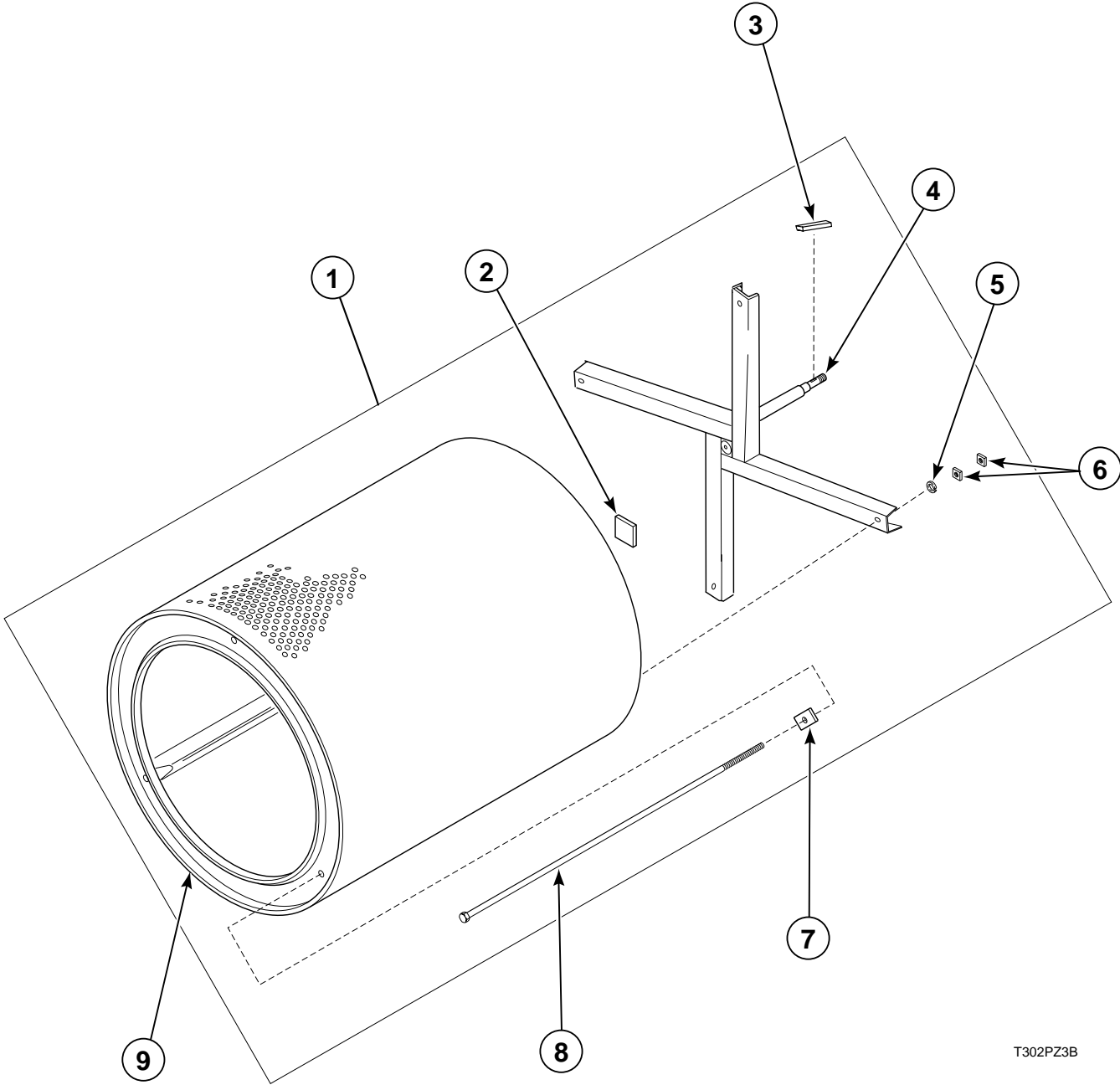
Lint Compartment Area

REF	PART #	DESCRIPTION	COMMENTS
1	M410243P	Handle and Cam Assembly	MT & OM Models
2	M400595	Cam & Screw For Handle	MT & OM Models
3	M400543	Bumper	Chrome Plated
	M410845	Bumper	Cocoa Plastic
	M410784	Bumper	Black Plastic
4	430757	Screw	
5	M400515	Lint Hood Assembly	
6	M411758	Thermistor For OM & MM Micro Models	
7	M410542	Thermostat, Cabinet High Limit	CG Models
	M411813	Thermostat, Cabinet High Limit	CE Models
8	M400522	Lint Screen and Frame	
9	M400633	Rubber Strip For M400543	
10	M410670*	Lint Panel	Painted
	M410671	Lint Panel	Stainless Steel
11	430757	Screw	
12	M400593P	Kickplate	
13	M401680	Key For Lock HVM10	
14	M404101	Lock and Key HVM10	

* Add letter to designate color.

V – Orange	B – Battina Green
K – Red	H – Harvest Gold
L – Almond	X – Electric Blue
W – White	P – Turquoise

Cylinder and Trunnion Assemblies

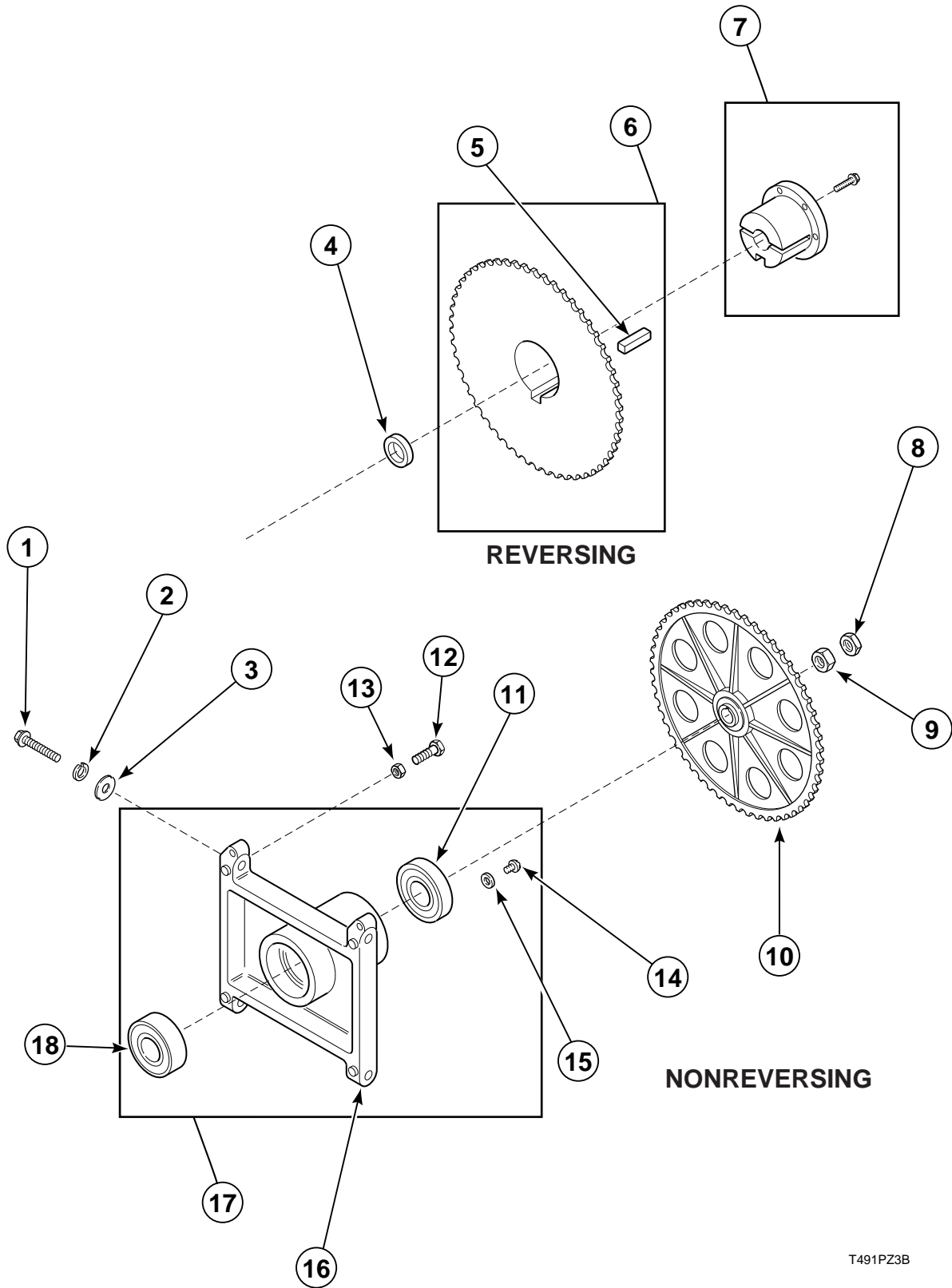


T302PZ3B

Cylinder and Trunnion Assemblies

REF	PART #	DESCRIPTION	COMMENTS
1	M400450	Cylinder and Trunnion Assembly	Nonreversing
	M401979	Cylinder and Trunnion Assembly - Stainless Steel	Nonreversing
	M404816	Cylinder and Trunnion Assembly	Reversing
	M405366	Cylinder and Trunnion Assembly - Stainless Steel	Reversing
2	M402144	Felt Pad	
3	M400008	Key, Half Moon	Nonreversing
	M405232	Key, Straight	Reversing
4	M4638P3	Trunnion Shaft	Nonreversing
	M4639P3	Trunnion Shaft	Reversing
5	M400013	Lockwasher	Nonreversing
	91200	Lockwasher	Reversing
6	M401930	Nut	Nonreversing
	M404993	Nut	Reversing
7	M401947	Washer	Nonreversing only
8	M400901	Rib Rod	Nonreversing
	M401411	Rib Rod	Reversing
9	M400439	Cylinder Assembly	Nonreversing
	M400440	Cylinder Assembly-Stainless Steel	Nonreversing
	M405009	Cylinder Assembly	Reversing
	M405365	Cylinder Assembly-Stainless Steel	Reversing

Trunnion Housing and Sprockets

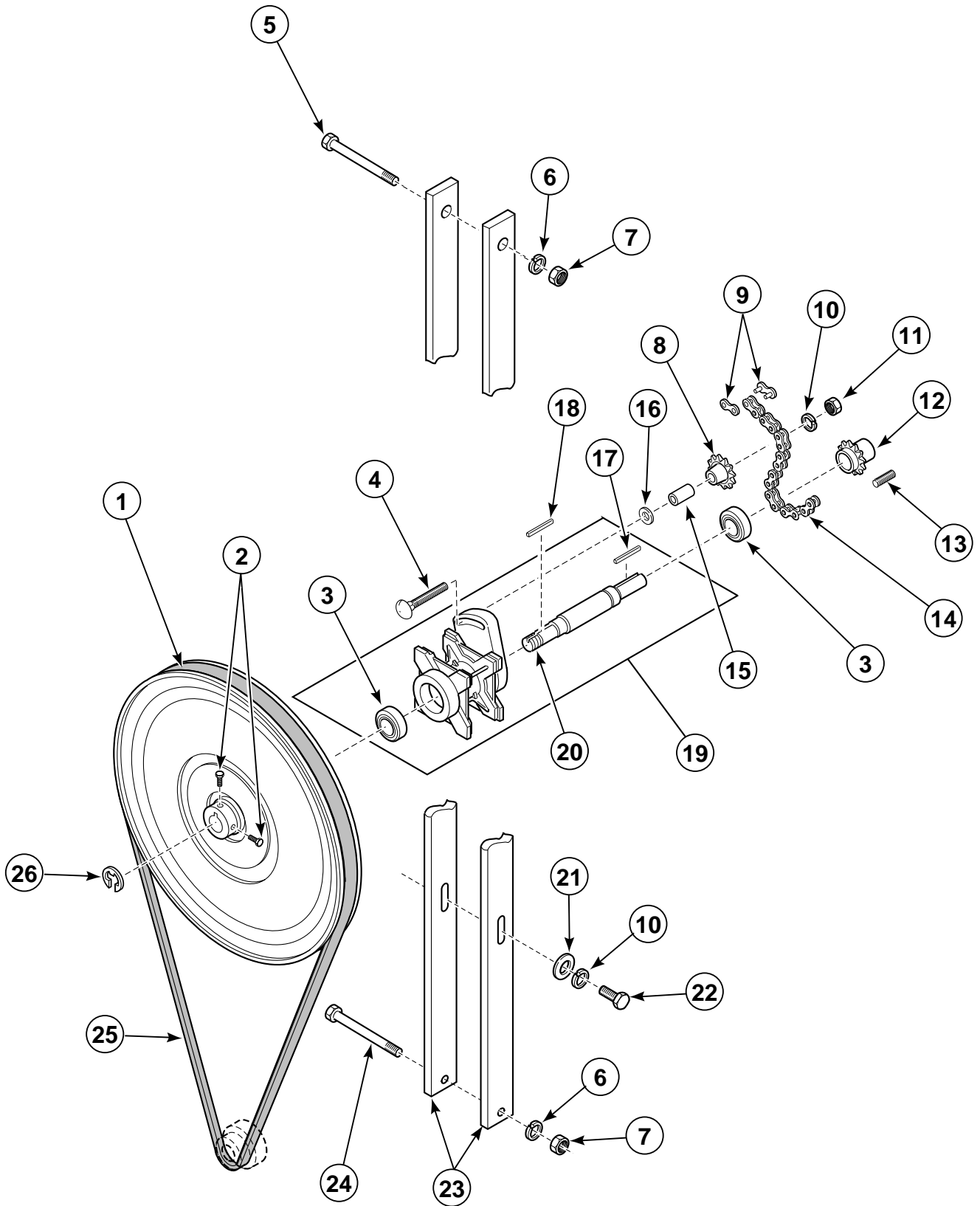


T491PZ3B

Trunnion Housing and Sprockets

REF	PART #	DESCRIPTION	COMMENTS
1	M400063	Bolt	
2	91200	Lockwasher	
3	M401946	Washer	
4	M404466	Spacer	Reversing
5	M405232	Key	Reversing
6	M403433	Trunnion Sprocket With Key	Reversing
7	M403432	Bushing For Trunnion Sprocket	Reversing, including setscrew
8	M400035	Palnut	Nonreversing
9	M400033	Jamnut	Nonreversing
10	M400090P	Trunnion Sprocket	Nonreversing
11	M413923	Outer Trunnion Bearing	
12	M400650	Screw	
13	20274	Nut	
14	M409385	Screw	
15	20103	Washer	
16	M413826	Trunnion Housing Casting	
17	M413832	Trunnion Housing Assembly	
18	M413924	Inner Trunnion Bearing	

Idler Drive Components For Nonreversing Belt/Chain Drive

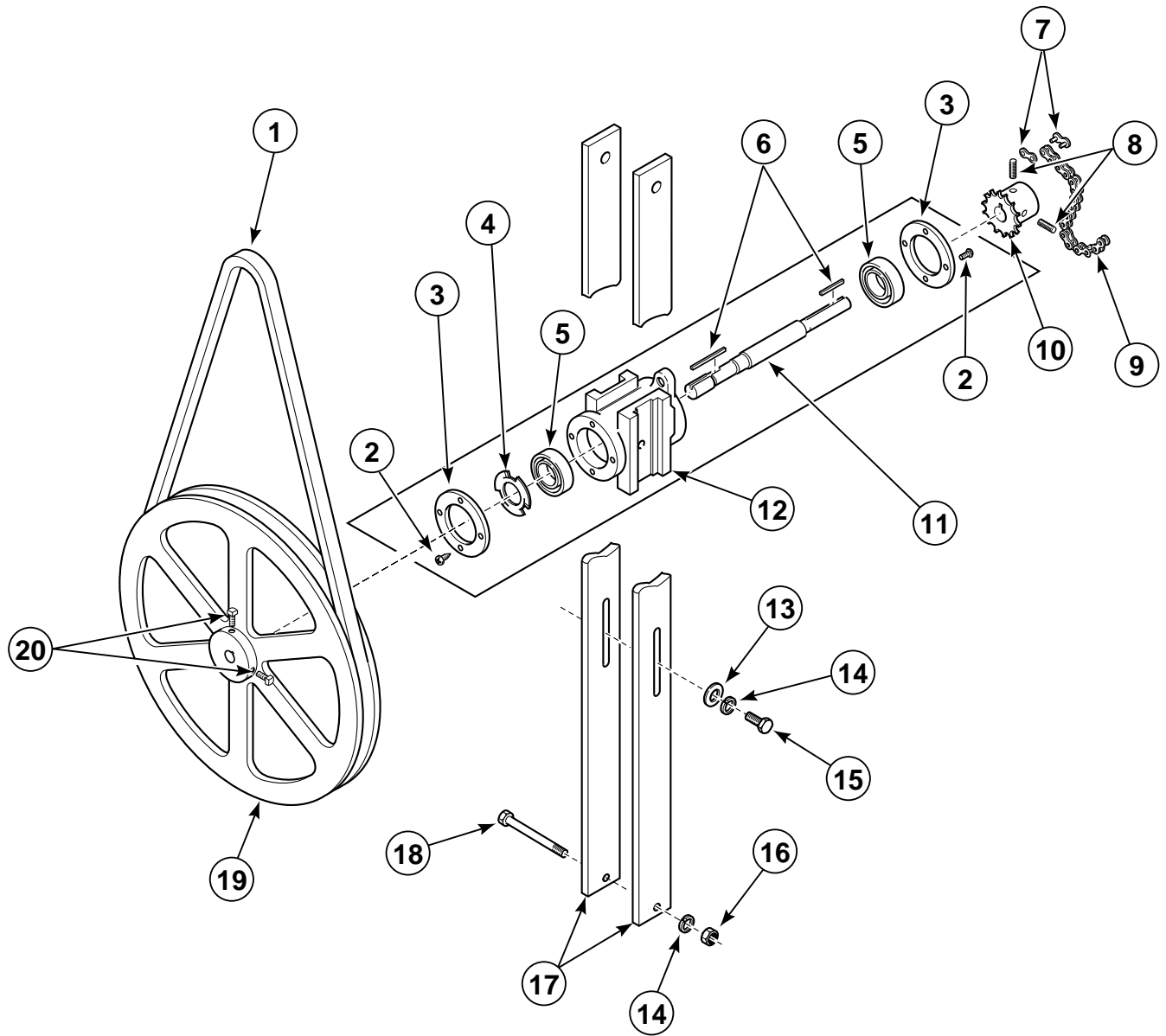


T305PZ3B

Idler Drive Components For Nonreversing Belt/Chain Drive

REF	PART #	DESCRIPTION	COMMENTS
1	M400092P	Sheave With Hardware	
2	M400065	Setscrew	
3	M400592	Bearing	
4	M412475	Bolt	
5	M400061	Bolt	
6	M400013	Lockwasher	
7	M400026	Nut	
8	M401369	Idler Sprocket	
9	M401360	Chain Connecting Link	Included With M401425
10	M400014	Lockwasher	
11	M400026	Nut	
12	M401365	Drive Sprocket	
13	62541	Setscrew	
14	M401425	Drive Chain	
15	M400755	Sleeve	
16	M400080	Washer	
17	M400993	Key	
18	M401327	Key	
19	M412229P	Idler Housing With Bearings and Guide Rails	
20	M412223	Idler Shaft	
21	M400081	Washer	
22	M400061	Bolt	
23	M412476	Guide Rail	
24	M405525	Bolt	
25	M401182	Belt	
26	M400399	Snap Ring	
REF	M411467	Chain Guard	Not Shown, All except 75EG
	M409350	Chain Guard	Not Shown, 75EG

Idler Drive Components For Belt/Chain Drive Reversing Models

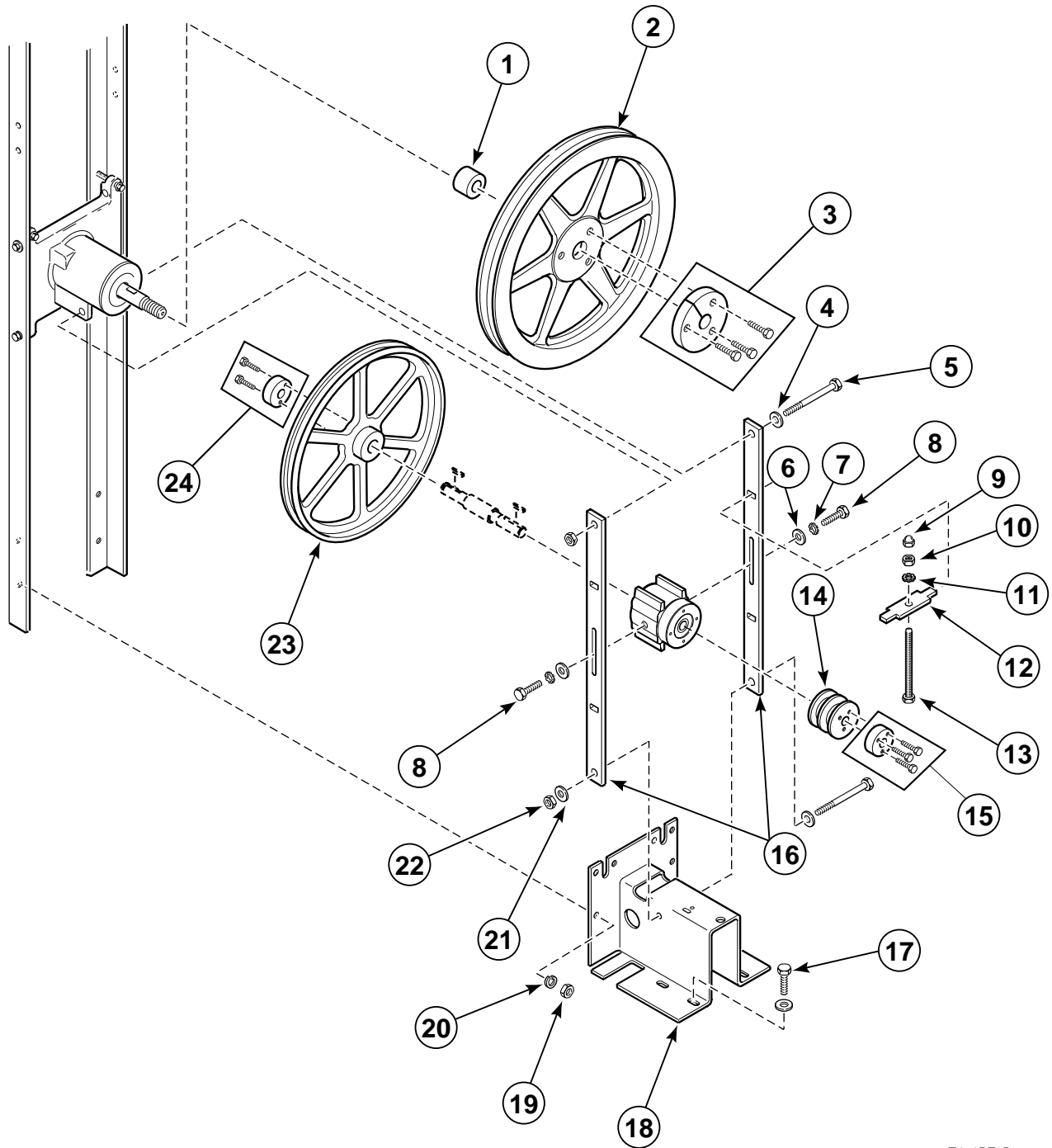


T486PZ3A

Idler Drive Components For Belt/Chain Drive Reversing Models

REF	PART #	DESCRIPTION	COMMENTS
1	M411814	Belt	
2	M409385	Screw	
3	M401370	Bearing Retainer	
4	M400401	Spring	
5	M401375	Bearing	
6	M401327	Key	
7	M400903	Chain Connecting Link	Included With M400597
8	62541	Setscrews	
9	M400597	Drive Chain	
10	M401364	Drive Sprocket	
11	M401371	Idler Shaft	
12	M412612	Idler Housing With Bearings and Rails	
13	M400081	Washer	
14	M400014	Lockwasher	
15	20259	Bolt	
16	M400026	Nut	
17	M412476	Guide Rail	
18	M400061	Bolt	
19	M400147	Drive Sheave	
20	M400065	Setscrew	
REF	M413541	Upper Belt Guard	Not Shown
	M413627	Main Drive Guard	Not Shown, All Except 75EG
	M409399	Main Drive Guard	Not Shown, 75EG

Drive Components For Belt/Belt Drive Reversing Models

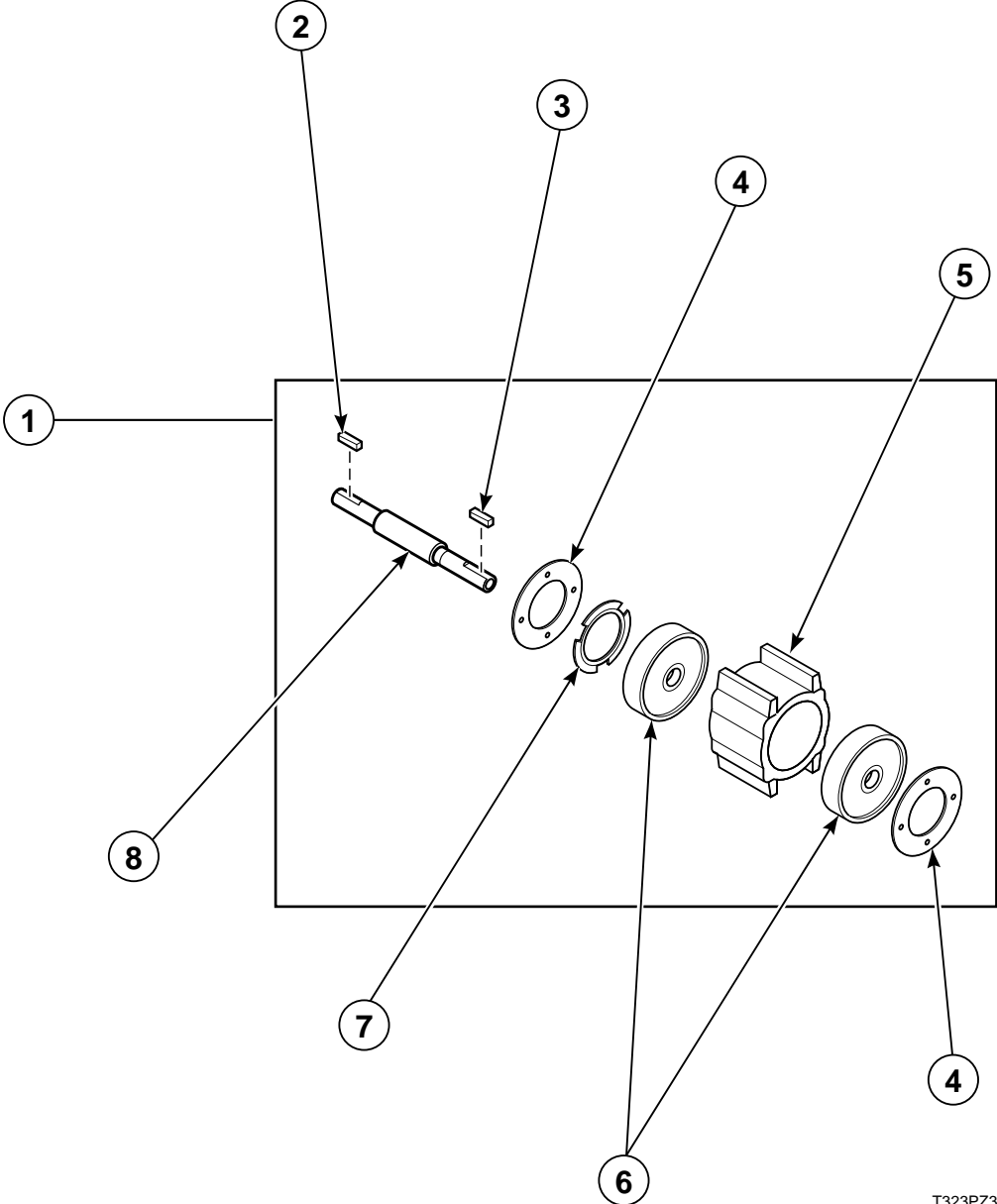


T471PZ3B

Drive Components For Belt/Belt Drive Reversing Models

REF	PART #	DESCRIPTION	COMMENTS
1	M404466	Spacer	
2	M412916	Sheave, Cylinder	
3	M412086	Bushing With Screws	
4	M400014	Washer	
5	430648	Bolt	
6	M400080	Washer	
7	M403958	Lockwasher	
8	20255	Bolt	
9	M412626	Acorn Nut	
10	M404993	Nut	
11	M412188	Lockwasher	
12	M414405	Idler Support Plate	
13	M412627	Tension Bolt	
14	M412884	Pulley, Idler	
15	M412917	Bushing With Screws	
16	M412476	Guide Rail	
17	M400057	Screw	
18	M411483	Bracket, Fan Motor	
19	70142	Nut	
20	M400013	Locknut	
21	M400014	Washer	
22	M400026	Nut	
23	M412931	Sheave, Idler	
24	M412885	Bushing With Screws	
REF	M413617	Assembly, Cylinder Motor Bracket - Hinged	See Page 49
	M412981	Belt, Drive	Not Shown
	M412090	Belt, Cylinder	Not Shown
	M411467	Drive Guard	Not Shown, All Except 75EG
	M413627	Drive Guard	Not Shown, 75EG
	M413541	Upper Belt Guard	Not Shown

Idler Housing Assembly For Belt/Belt Drive Reversing Models

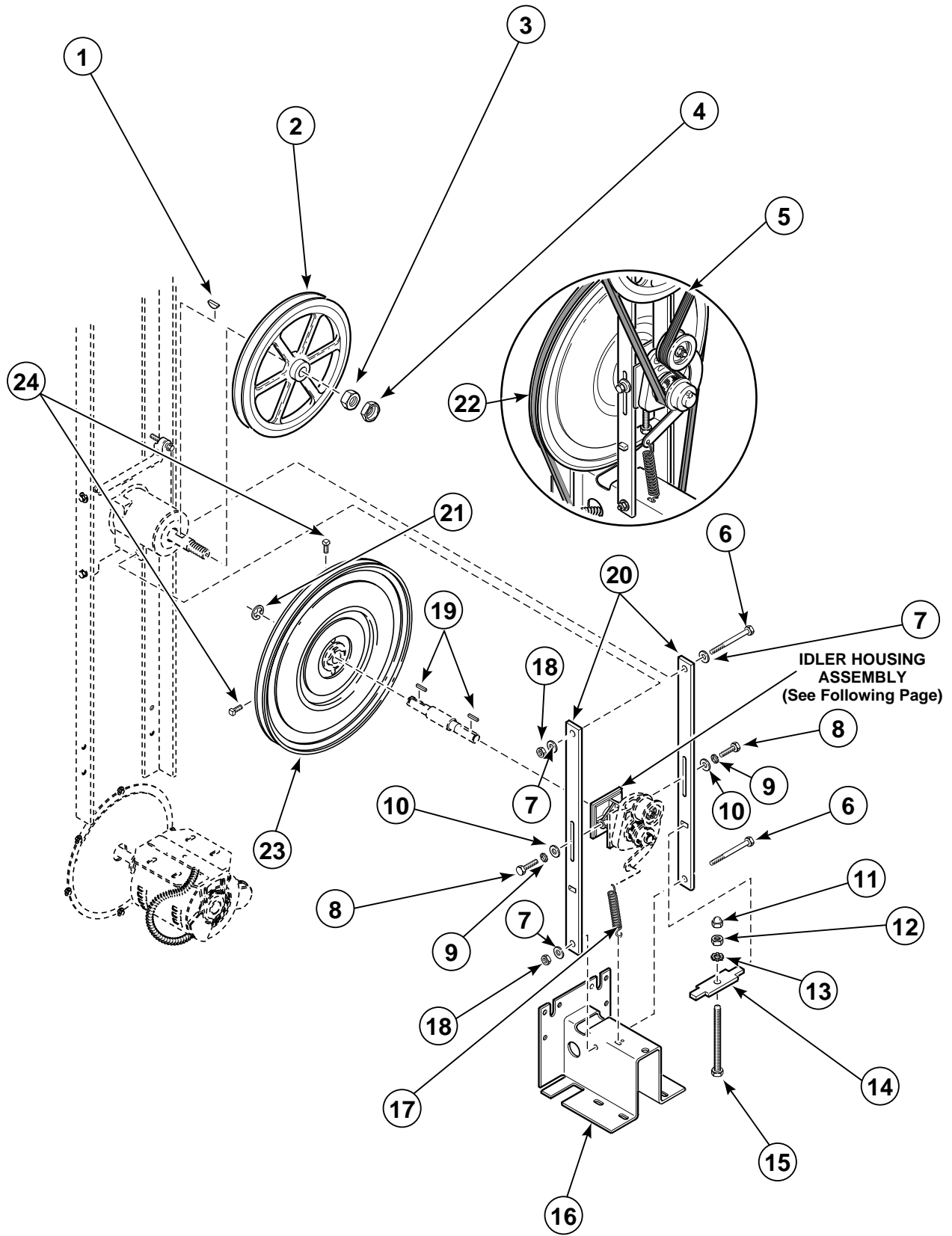


T323PZ3A

Idler Housing Assembly For Belt/Belt Drive Reversing Models

REF	PART #	DESCRIPTION	COMMENTS
1	M412630P	Idler Housing Assembly	
2	M401327	Key	
3	M400993	Key	
4	M401370	Bearing Retainer	
5	M412612	Idler Housing	
6	M401375	Bearing	
7	M400401	Spring	
8	M414241	Idler Shaft	
REF	M409385	Screw	Not Shown, Used on Bearing Retainer
	M412476	Idler Rail	Kit Component, Not Shown
	614P3	Component Kit	Kit Component, Not Shown

Idler Drive Components For Nonreversing Belt/Belt Drive

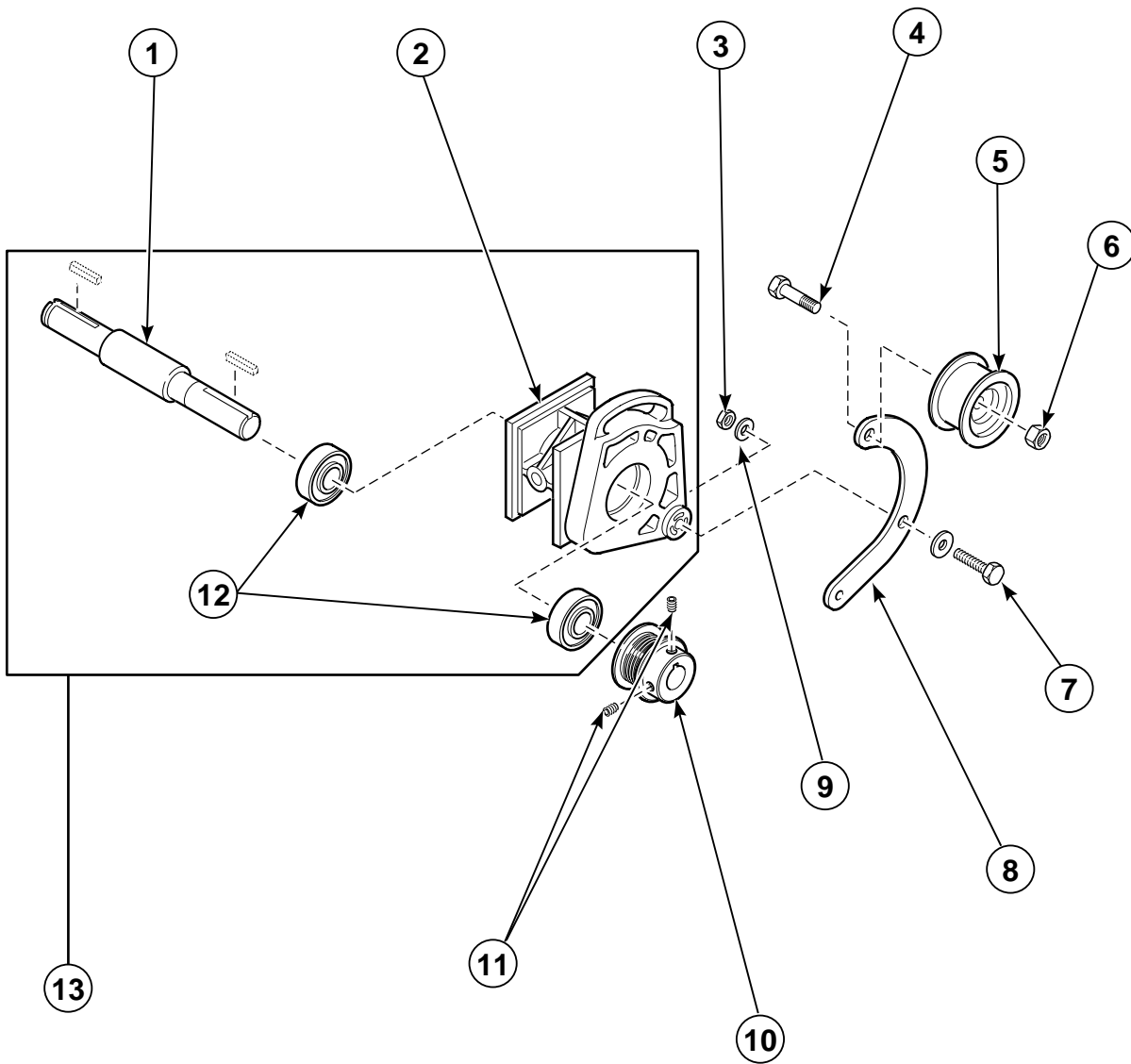


T312PZ3A

Idler Drive Components For Nonreversing Belt/Belt Drive

REF	PART #	DESCRIPTION	COMMENTS
1	M400008	Key	
2	M412156	Micro V Sheave	
3	M400033	Jamnut	
4	M400035	Palnut	
5	M411425	Micro V Belt	
6	M400061	Bolt	
7	M400014	Washer	
8	20255	Screw	
9	M403958	Lockwasher	
10	M400080	Washer	
11	M412626	Acorn Nut	
12	M404993	Nut	
13	M412188	Lockwasher	
14	M414405	Idler Support Plate	
15	M412627	Tension Bolt	
16	M411483	Motor Bracket	
17	M412120	Spring, Extension	
18	M400026	Nut	
19	M401327	Key	
20	M412476	Guide Rail	
21	M400399	Snap Ring	
22	M401182	Belt	
23	M400092P	Sheave With Hardware	Includes Item 19
24	M400065	Setscrew	
REF	M411467	Main Drive Guard	Not Shown, All Except 75EG
	M409350	Main Drive Guard	Not Shown, 75EG

Idler Housing Assembly For Belt/Belt Drive Nonreversing

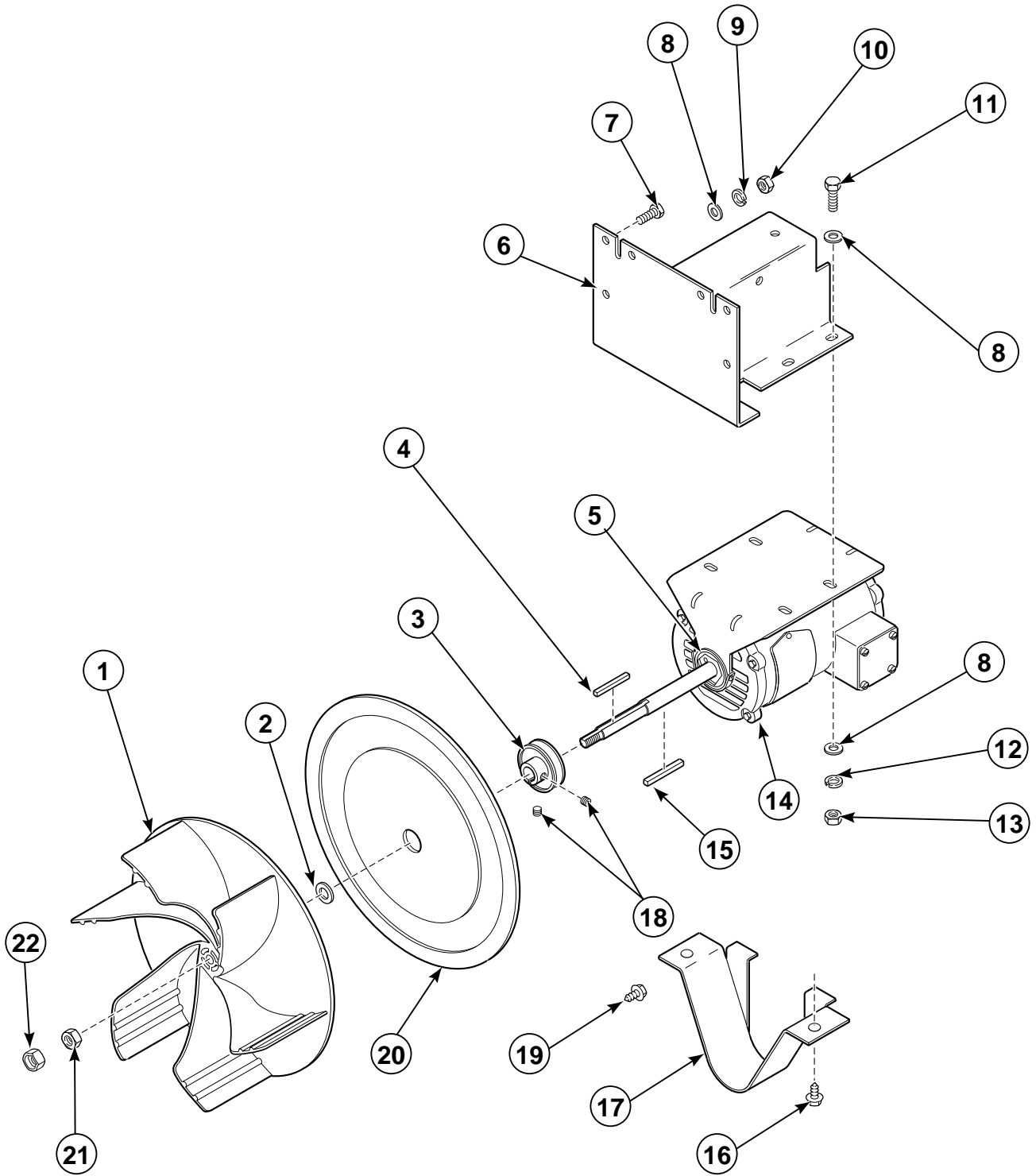


T313PZ3A

Idler Housing Assembly For Belt/Belt Drive Nonreversing

REF	PART #	DESCRIPTION	COMMENTS
1	M412223	Idler Shaft	
2	M412103	Idler Housing	
3	52566	Nut	
4	430648	Bolt	
5	430619	Idler Wheel	
6	56156	Nut	
7	M412119	Bolt	
8	M411844	Idler Arm	
9	M405535	Washer	
10	M411466	Micro V Pulley	
11	M400077	Setscrew	
12	430038	Bearing	
13	M412228P	Idler Housing Assembly	

Fan and Motor Components



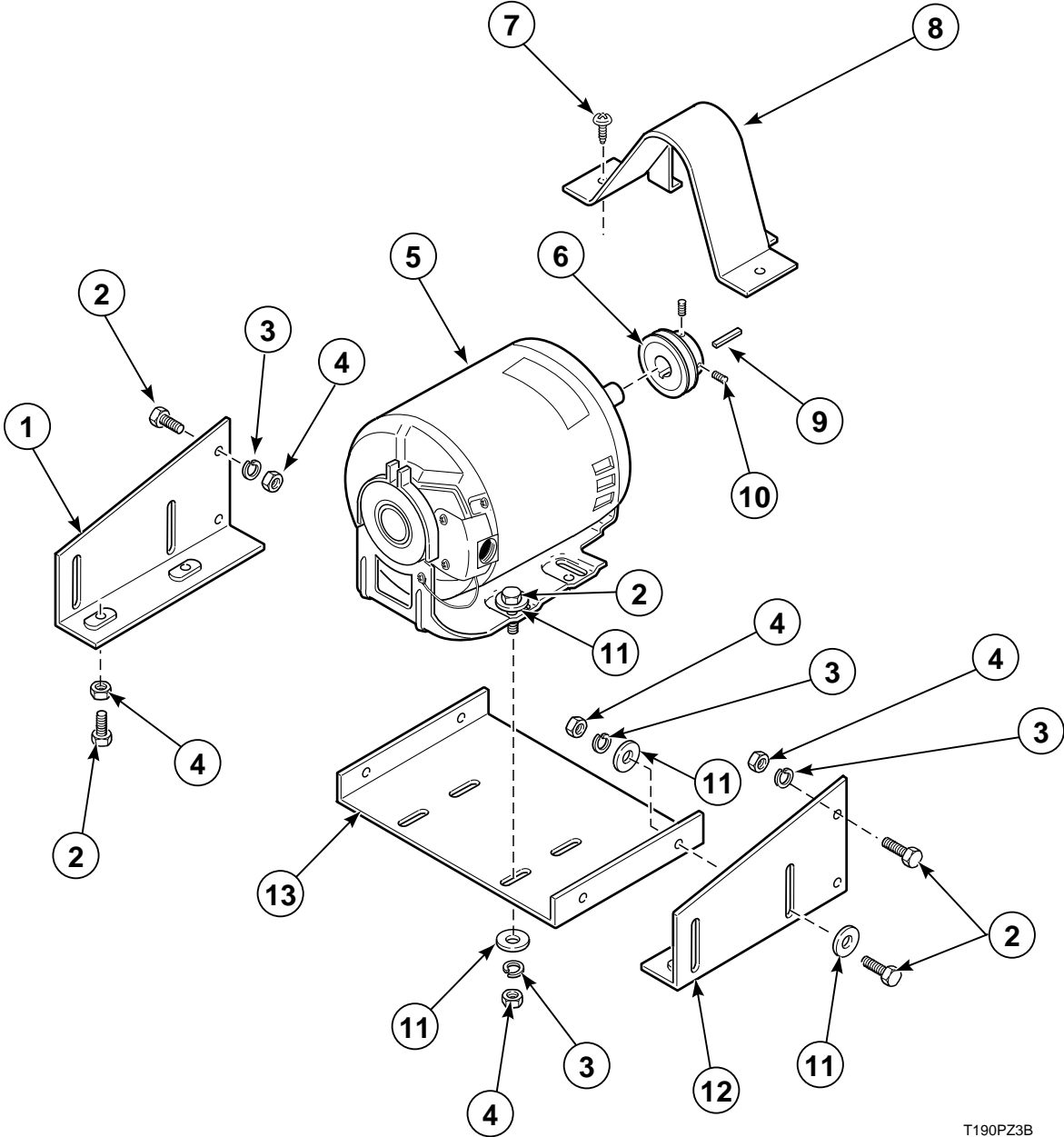
T304PZ3C

Fan and Motor Components

REF	PART #	DESCRIPTION	COMMENTS
1	M410088P	Fan	Low Pressure Steam, 50 Hertz
	M400086P	Fan	Gas, Electric, High Pressure Steam Models
2	M400991	Washer	Included In M4426P3 Motor Hardware Kit
3	M403463	Motor Pulley	Nonreversing Only, 50 Hertz
	M402718	Motor Pulley	Nonreversing Only, 60 Hertz
4	M400994	Key for Fan	Included In M4426P3 Motor Hardware Kit
5	M405419	Motor Mounting Ring	Standard Connection Motors - 2 per package
	M4525P3	Motor Mounting Ring	Quick Disconnect Motors - 2 per package
6	M411483	Motor Mounting Bracket	
7	M401393	Bolt	
8	M400080	Washer	
9	M400014	Lockwasher	
10	70142	Nut	
11	M400057	Bolt	
12	M400013	Lockwasher	
13	02428	Nut	
14		Fan Motor	See Table on 92
15	M400993	Key for Pulley	Included In M4426P3 Motor Hardware Kit
16	M405188	Screw	
17	M400518	Belt Guard	
18	M400077	Setscrew	
19	M410059	Screw	
20	M401362	Fan Housing Cover	
21	M400022	Jamnut	Included In M4426P3 Motor Hardware Kit
22	M400034	Palnut	Included In M4426P3 Motor Hardware Kit
REF	M4426P3	Motor Hardware Kit	Includes Items 4, 15, 2, 23 and 22

Cylinder Drive Motor and Components – Reversing Models

Prior to 1996



T190PZ3B

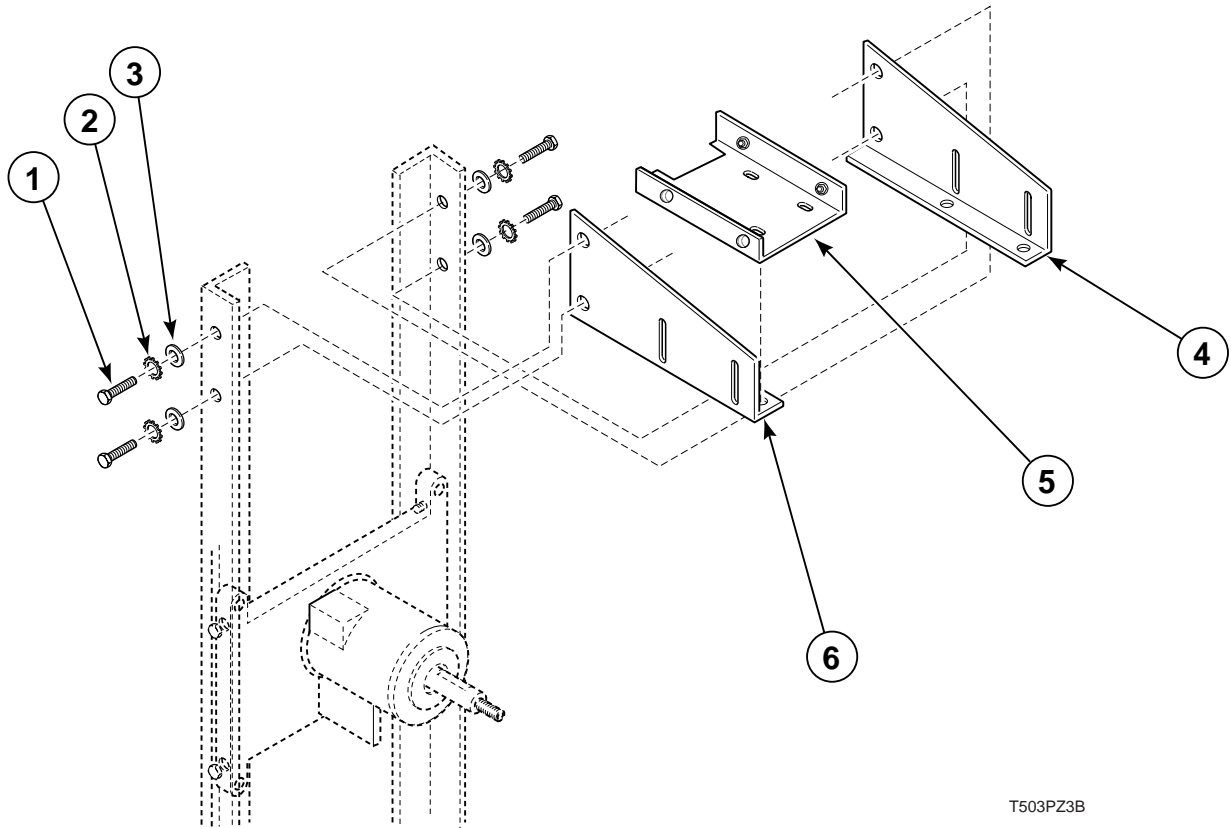
Cylinder Drive Motor and Components – Reversing Models

Prior to 1996

REF	PART #	DESCRIPTION	COMMENTS
1	M400520	Motor Bracket Side - Left	Units Manufactured Prior To 1995
2	M400057	Screw	
3	M400013	Lockwasher	
4	02428	Nut	
5		Cylinder Drive Motor	See Table on Page 92
6	M400146	Motor Pulley	
7	M405188	Screw	
8	M413008	Belt Guard	
9	M400993	Key	
10	M400065	Screw	
11	M400080	Washer	
12	M400521	Motor Bracket Side - Right	Units Manufactured Prior To 1995
13	M401519	Motor Mounting Plate	Units Manufactured Prior To 1995
	M413617	Motor Mounting Bracket, Hinged	Units Manufactured Starting 1995

Cylinder Motor Bracket

Prior to 1995



T503PZ3B

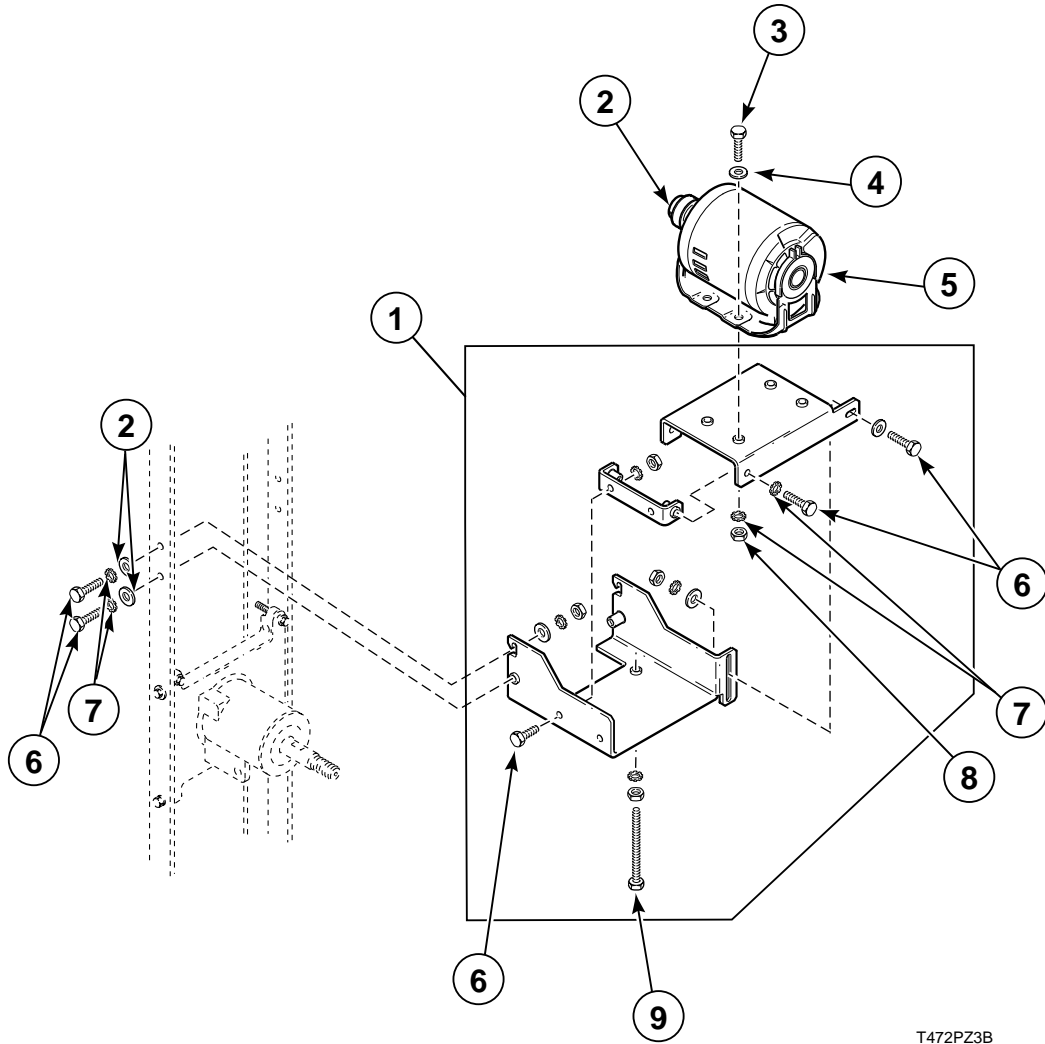
Cylinder Motor Bracket

Prior to 1995

REF	PART #	DESCRIPTION	COMMENTS
1	27202	Bolt	
2	M400013	Lockwasher	
3	M400080	Washer	
4	M413007	Right Motor Bracket	
5	M413005	Motor Mounting Plate	
6	M413006	Left Motor Bracket	

Cylinder Drive Motor and Components

Models After 1995



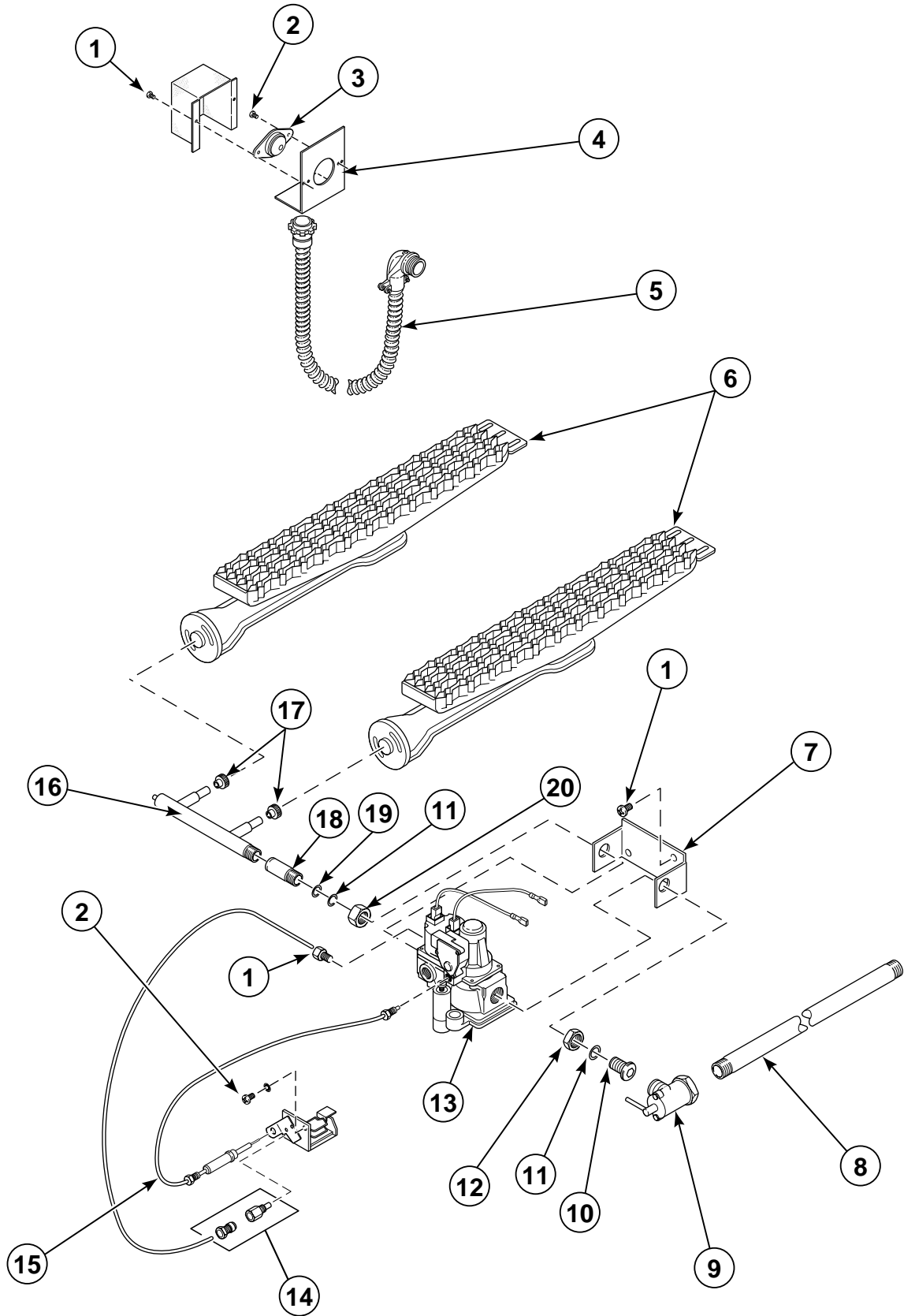
T472PZ3B

Cylinder Drive Motor and Components

Models After 1995

REF	PART #	DESCRIPTION	COMMENTS
1	M413617	Assembly, Cylinder Motor Bracket - Hinged	Includes Numbers 2, 7, 11, and 12
2	M400146	Motor Pulley	
3	M400057	Bolt	
4	M400080	Flat Washer	
5		Cylinder Drive Motor	See Motor Table on Page 92
6	27202	Screw	
7	02834	Lockwasher	
8	02428	Jamnut	
9	M413565	Adjusting Bolt	Included in M413617 Assembly

Standing Pilot Ignition Burner Assembly



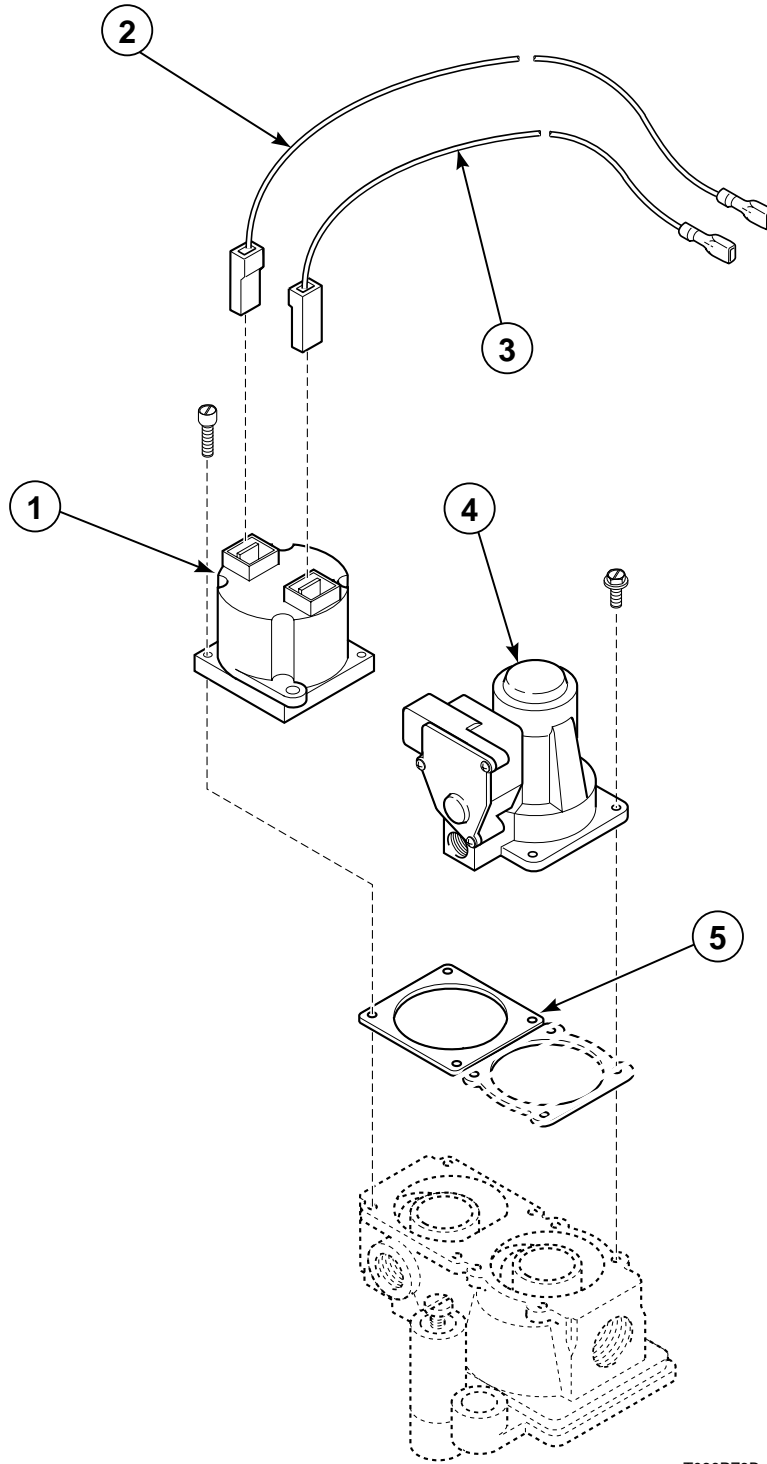
T035PZ3D

Standing Pilot Ignition Burner Assembly

Standing Pilot Models

REF	PART #	DESCRIPTION	COMMENTS
1	M400664	Screw	
2	M402797	Screw	
3	M409433	Stove High Limit Thermostat	
4	M402798	Bracket	
5	M403824	Wire Harness	Models with Junction Box
	M401286	Wire Harness	Models without Junction Box
6	M4448P3	Kit, Main Burner Replacement	Includes Both Burners
7	M400823	Gas Valve Bracket	
8	M400749	Supply Pipe	
9	M406455	Shut-Off Valve	
10	M401550	Nipple	
11	M400605	Anti Torque Ring	
12	M401549	Nut	
13	M401228	Gas Valve	120 Volt, NG (Regulated)
	M401229	Gas Valve	240 Volt, NG (Regulated)
	M401230	Gas Valve	120 Volt, LP (Unregulated)
	M401231	Gas Valve	240 Volt, LP (Unregulated)
14	M400918	Pilot Orifice	(.012) LP
	Q8152	Pilot Orifice	(.023) NG
15	M400934	Thermocouple	
16	M403163	Manifold	
17		Burner Orifice	See Table on Page 96
18	M406681	Manifold Pipe	
19	M400606	Retainer Ring	
20	M401548	Nut	

Standing Pilot Ignition Gas Valve Components

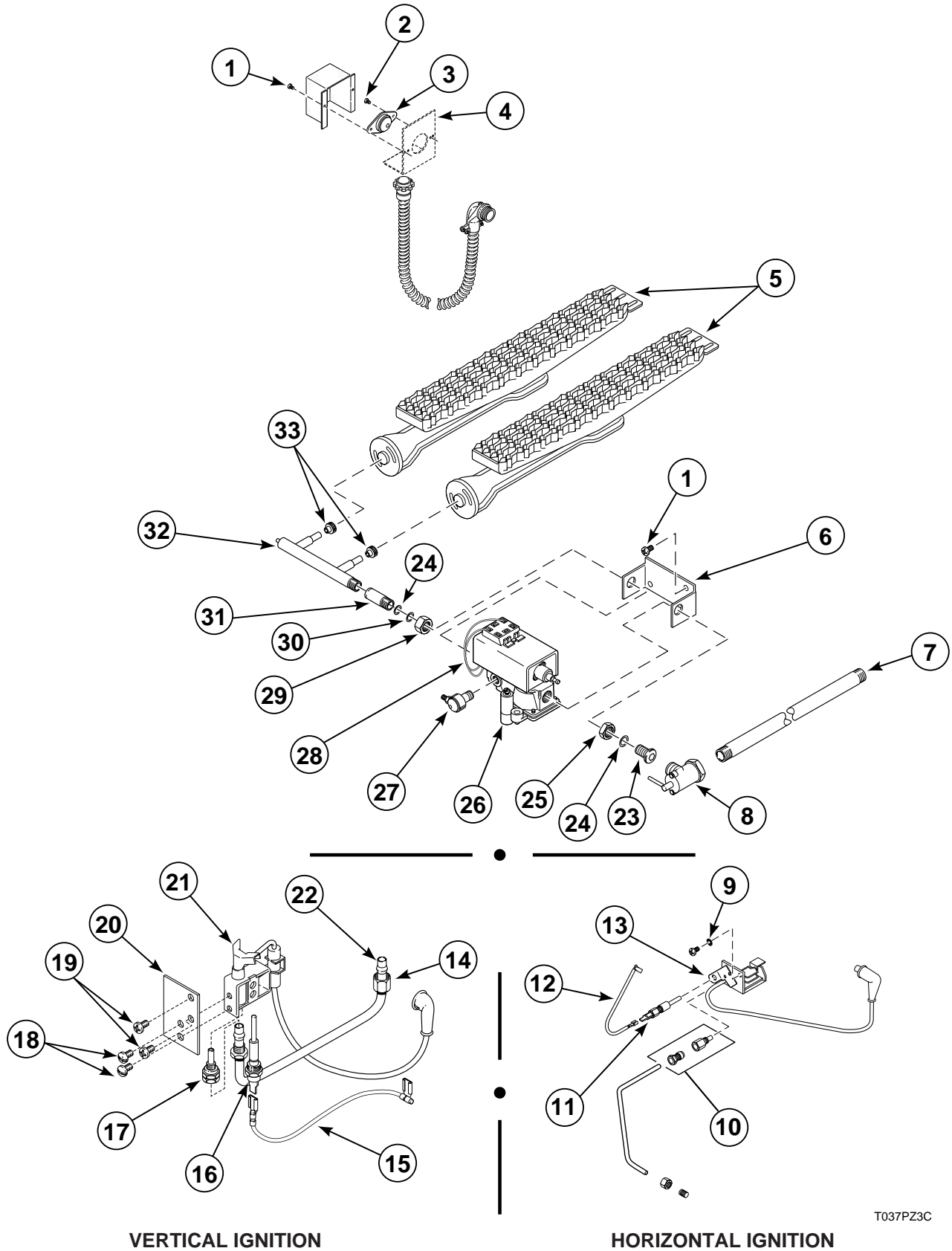


T036PZ3B

Standing Pilot Ignition Gas Valve Components

REF	PART #	DESCRIPTION	COMMENTS
1	M400331	Gas Valve Coil	240 Volt
	M406217	Gas Valve Coil	120 Volt, includes gasket
2	M400337	Wire	
3	M400338	Wire	
4	M400329	Pilot Reset Assembly	
5	M400798	Gasket	

Automatic Pilot Ignition Burner Assembly



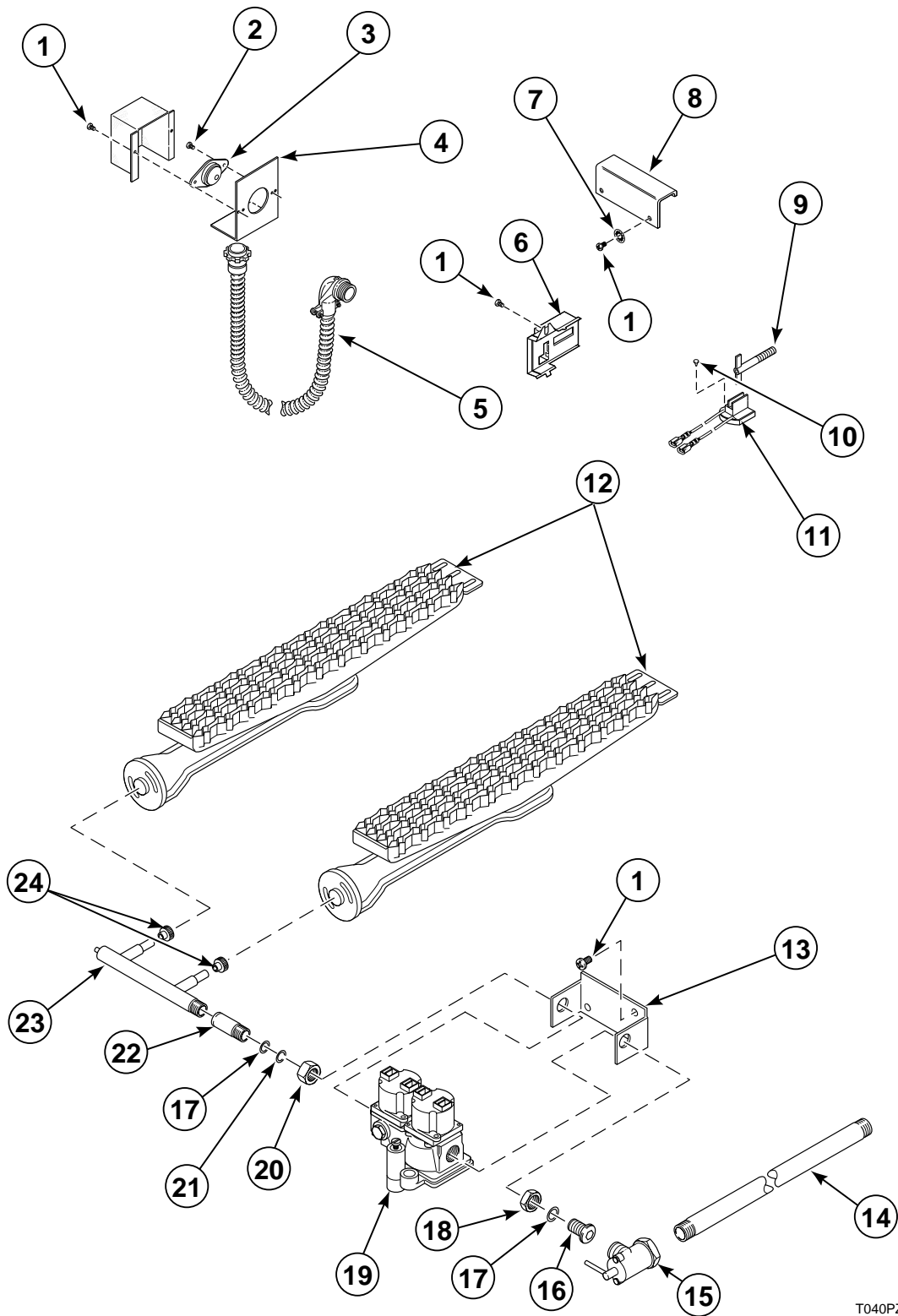
T037PZ3C

Automatic Pilot Ignition Burner Assembly

REF	PART #	DESCRIPTION	COMMENTS
1	M400664	Screw	
2	M402797	Screw	
3	M401404	Stove High Limit Thermostat	
4	M402798	Bracket	
5	M4448P3	Kit, Main Burner Replacement	Includes Both Burners
6	M400823	Gas Valve Bracket	
7	M400749	Supply Pipe	
8	M406455	Shutoff Valve	
9	03815	Lockwasher	
10		Pilot Orifice Nut and Sleeve	See Table on Page 96
11	M401209	Sensor	
12	M401210	Sensor Lead	
13	M4337P3	Igniter Kit	LP
	M4338P3	Igniter Kit	Natural Gas
14	M400926	Compression Nut	
15	M402597	Sensor Wire	
16	M401209	Flame Sensor	
17	M402598	Pilot Orifice	LP
	M402701	Pilot Orifice	NG
18	M402595	Screw	
19	M400073	Screw	
20	M402594	Mounting Bracket	
21	M402591	Pilot Burner	
22	M400925	Compression Sleeve	
23	M401550	Nipple	
24	M400605	Anti Torque Ring	
25	M401549	Nut	
26	M401224	Gas Valve	NG (Regulated)
	M401225P	Gas Valve	LP (Unregulated)
27	M400965	Pilot Filter	
28	M410011	Electronic Pilot Control	Blue Box
	M4385P3	Electronic Pilot Control	To Replace Gray Box
29	M401548	Nut	
30	M400606	Retainer Ring	
31	M406681	Manifold Pipe	
32	M403163	Spud Holder	
33		Burner Orifice	See Table on Page 96

Glow Bar Ignition Burner Assembly

Units Manufactured January, 1982 (PA) through August, 1982 (PH)



T040PZ3D

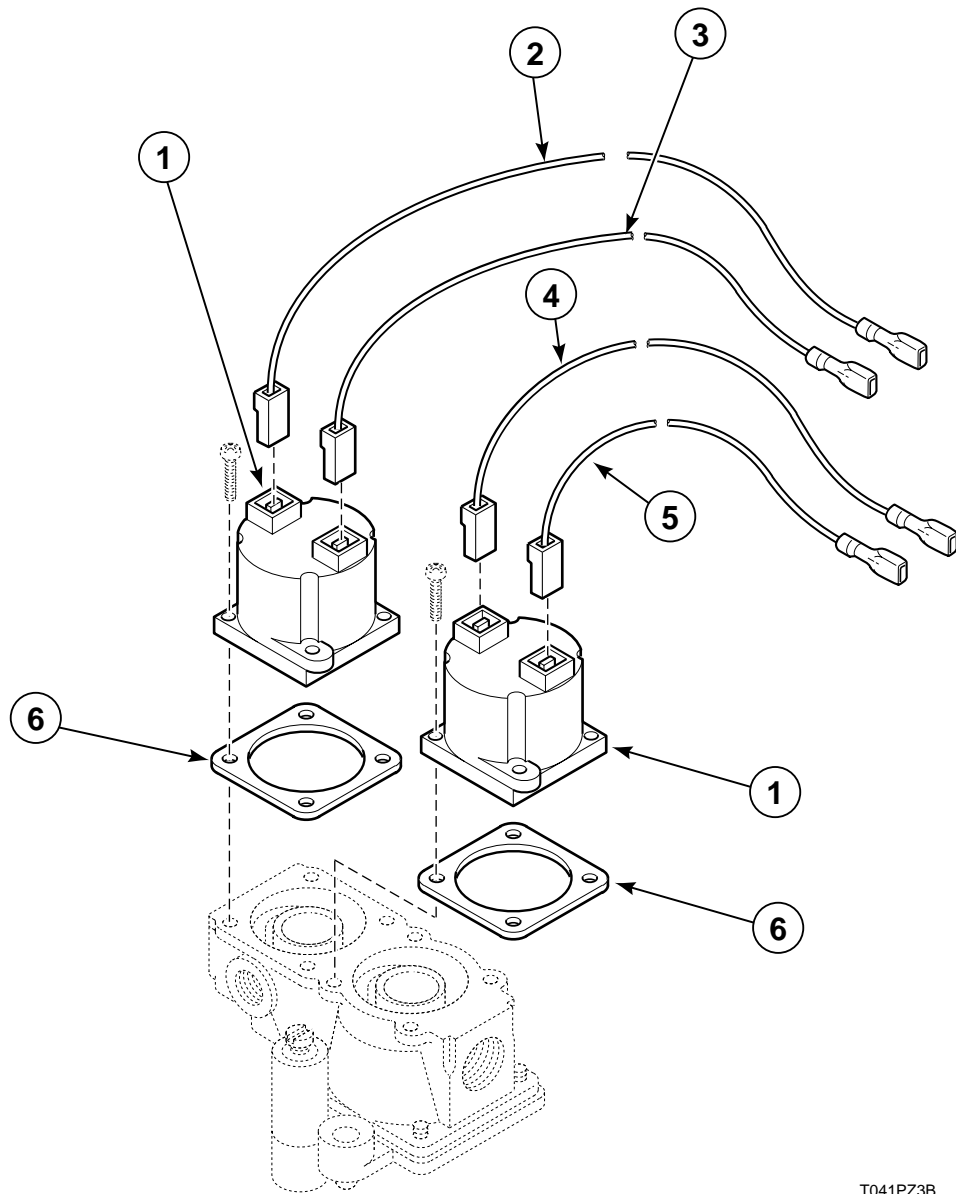
Glow Bar Ignition Burner Assembly

Units Manufactured January, 1982 (PA) through August, 1982 (PH)

REF	PART #	DESCRIPTION	COMMENTS
1	M400664	Screw	
2	M402797	Screw	
3	M409433	Stove High Limit Thermostat	
4	M400838	Bracket	
5	M403824	Wire Harness	50CG
	M405823	Wire Harness	50EG
6	56231	Flame Sensor	
7	03815	Lockwasher	
8	M402746	Deflector Shield	
9	55438	Igniter	
10	56693	Screw	
11	M402745	Igniter Bracket	
12	M4448P3	Kit, Main Burner Replacement	Includes Both Burners
13	M400823	Gas Valve Bracket	
14	M400749	Supply Pipe	
15	M406455	Shutoff Valve	
16	M401550	Nipple	
17	M400605	Anti Torque Ring	
18	M401549	Nut	
19	M402750	Gas Valve	NG (Regulated) - 120 Volt
	M403151	Gas Valve	LP (Unregulated) - 120 Volt
20	M401548	Nut	
21	M400606	Retainer Ring	
22	M406681	Manifold Pipe	
23	M403163	Spud Holder	
24		Burner Orifice	See Table on Page 96

Glow Bar Ignition Gas Valve Components

Units Manufactured January, 1982 (PA) through August, 1982 (PH)



T041PZ3B

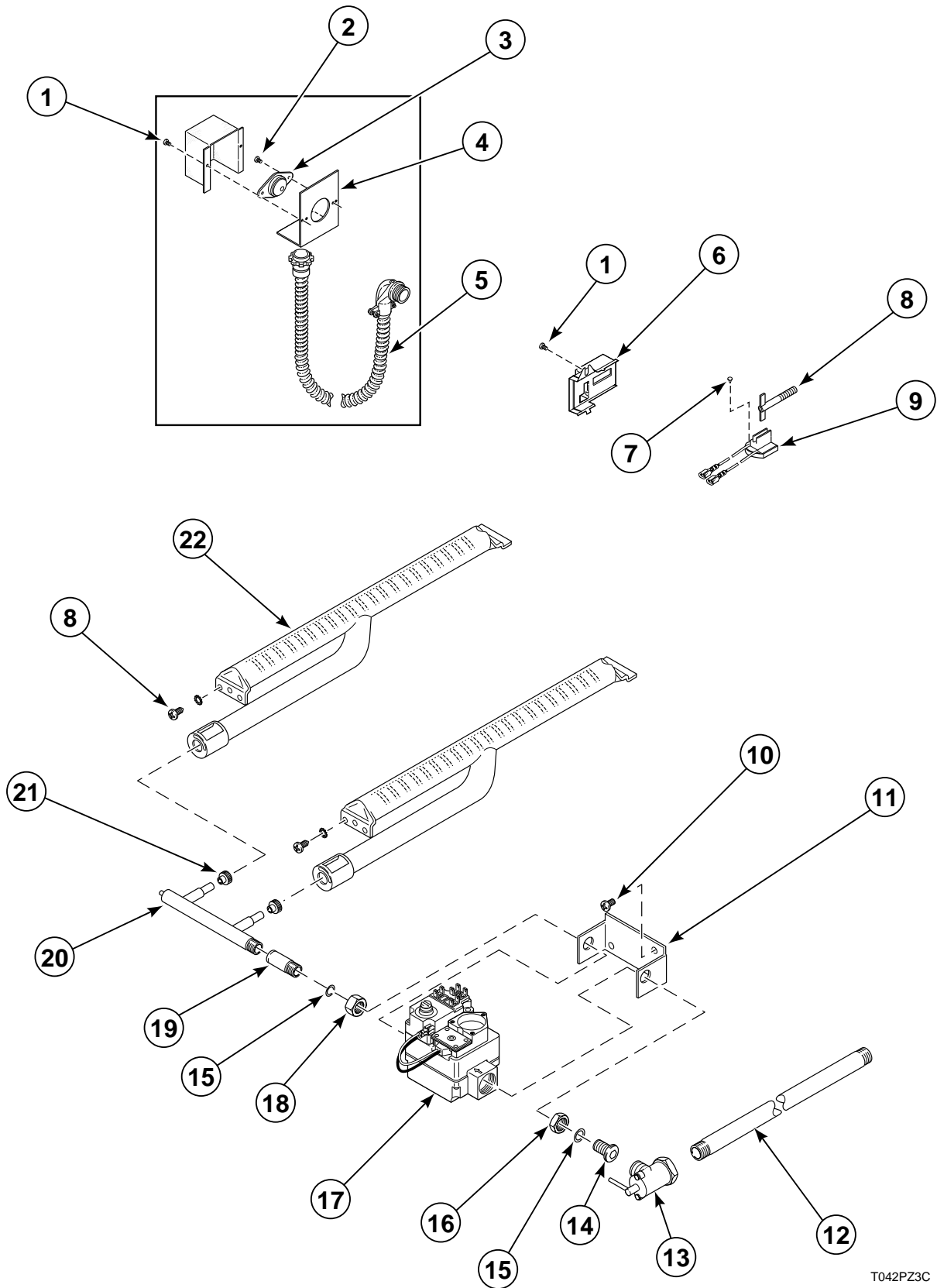
Glow Bar Ignition Gas Valve Components

Units Manufactured January, 1982 (PA) through August, 1982 (PH)

REF	PART #	DESCRIPTION	COMMENTS
1	M406217	Gas Valve Coil	120 Volt
2	M402824	Blue Wire	
3	M402822	Purple Wire	
4	M402823	Purple Wire	
5	M402825	Blue Wire	
6	M400798	Gasket	

Glow Bar Ignition Burner Assembly

Units Manufactured September, 1982 (PJ) through May, 1991 (ZE)



T042PZ3C

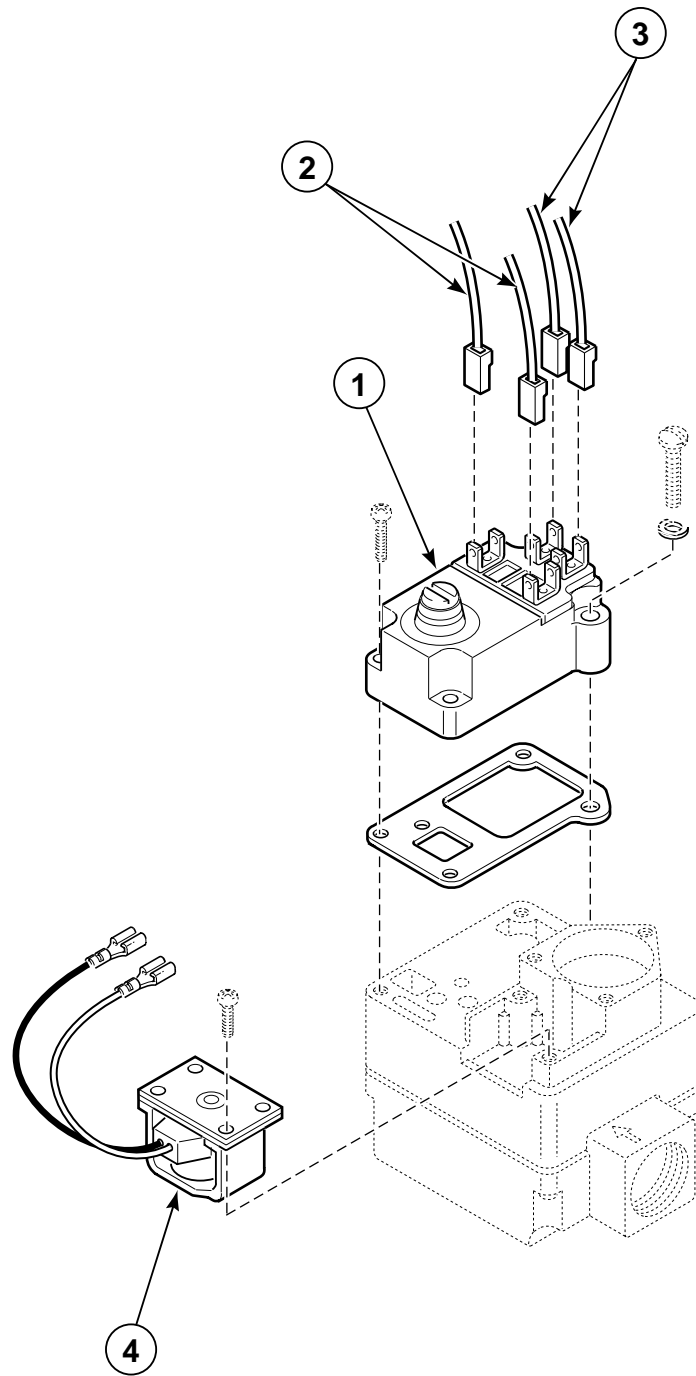
Glow Bar Ignition Burner Assembly

Units Manufactured September, 1982 (PJ) through May, 1991 (ZE)

REF	PART #	DESCRIPTION	COMMENTS
1	M400664	Screw	
2	M402797	Screw	
3	M409433	Stove High Limit Thermostat	
4	M400838	Bracket	
5	M403824	Wire Harness	50CG
	M405823	Wire Harness	50EG
6	56231	Flame Sensor	
7	56693	Screw	
8	55438	Igniter	
9	M402745	Igniter Bracket	
10	M405188	Screw	
11	M400823	Gas Valve Bracket	
12	M400749	Supply Pipe	
13	M406455	Shutoff Valve	
14	M401550	Nipple	
15	M400605	Anti Torque Ring	
16	M401549	Nut	
17	M405898	Gas Valve	NG (Regulated) - 120 Volt
	M405935	Gas Valve	LP (Unregulated) - 120 Volt
18	M401548	Nut	
19	M406681	Manifold Pipe	
20	M403163	Spud Holder	
21		Burner Orifice	See Table on Page 96
22	M405919	Main Gas Burner	Through Serial Number 7240772ZE
	M410541	Main Gas Burner	Starting With Serial Number 724078ZF

Glow Bar Ignition Gas Valve Coil and Wires

Units Manufactured September, 1982 (PJ) through May, 1991 (ZE)



T043PZ3F

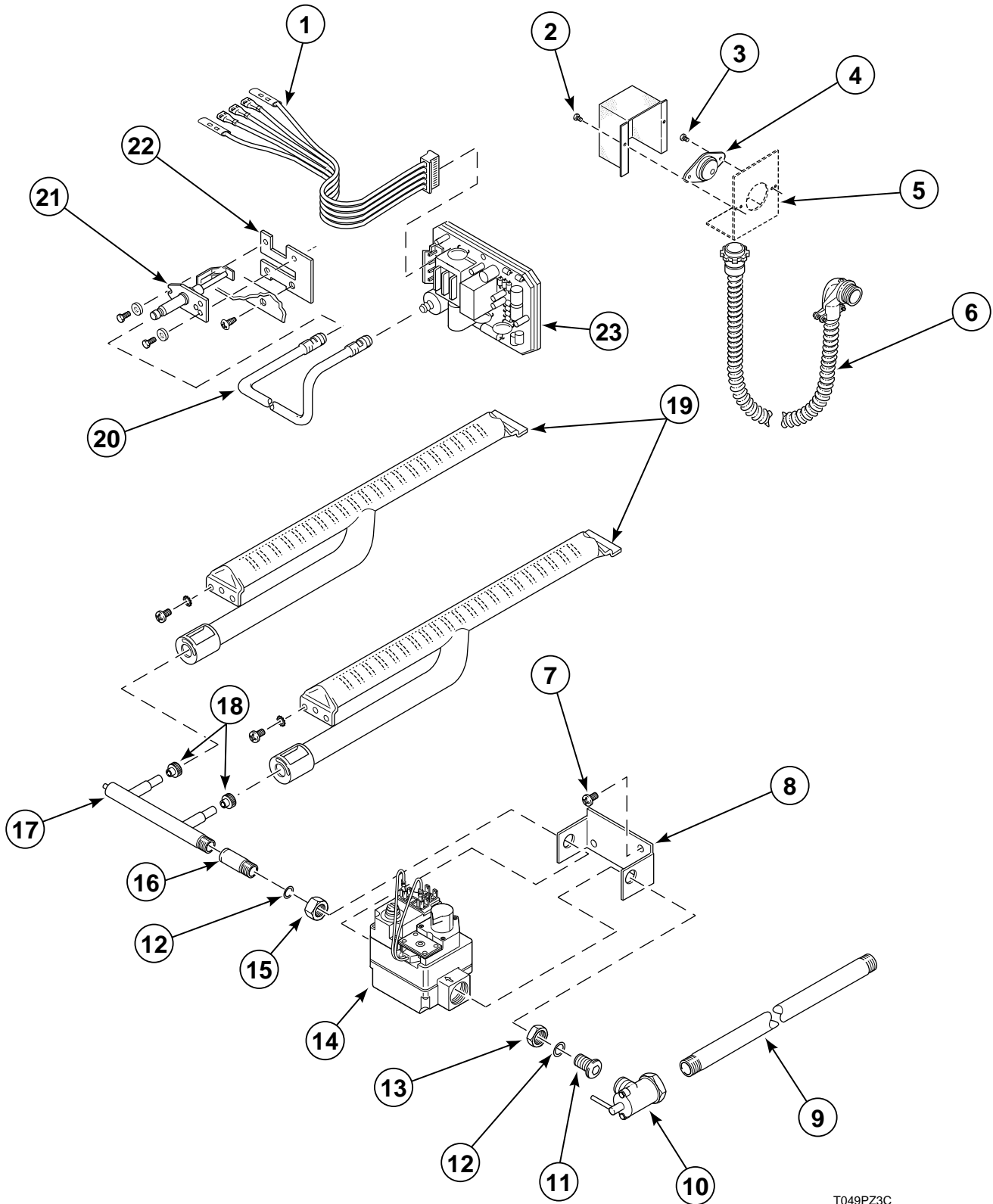
Glow Bar Ignition Gas Valve Coil and Wires

Units Manufactured September, 1992 (PJ) through May, 1991 (ZE)

REF	PART #	DESCRIPTION	COMMENTS
1	M405430	Mail Coil	
2	M404868	Blue Wire	
3	M404866	Purple Wire	
4		Redundant Coil	Not Available—Order Complete Valve

Instant Electronic Ignition Burner Assembly

Units Manufactured Starting June, 1991 (ZF)



T049PZ3C

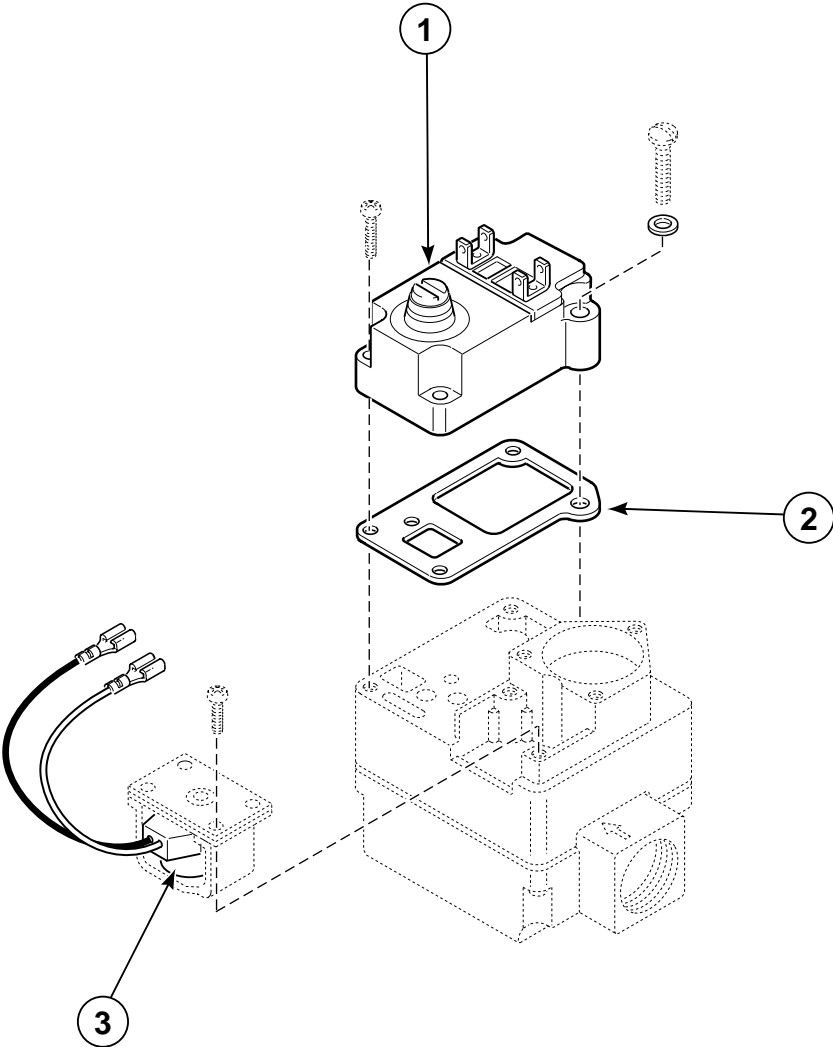
Instant Electronic Ignition Burner Assembly

Units Manufactured Starting June, 1991 (ZF)

REF	PART #	DESCRIPTION	COMMENTS
1	M410599	Ignition Harness	
2	M400664	Screw	
3	M402797	Screw	
4	M401404	Stove High Limit Thermostat	37EG/50EG
	M409433	Stove High Limit Thermostat	37CG/50CG
5	M400838	Bracket	
6	M403824	Wire Harness	37EG/50EG
	M405823	Wire Harness	37CG/50CG
7	M405188	Screw	
8	M405945	Gas Valve Bracket	Through Serial Number 724077ZE
	M406814	Gas Valve Bracket	Starting With Serial Number 724078ZF
9	M400749	Supply Pipe	
10	M406455	Shutoff Valve	
11	M401550	Nipple	
12	M400605	Anti Torque Ring	
13	M401549	Nut	
14	M409152	Gas Valve	60 Hertz, NG (Regulated)
	M409153	Gas Valve	60 Hertz, LP (Unregulated)
	M409517	Gas Valve	50 Hertz, NG (Regulated)
	M409561	Gas Valve	50 Hertz, LP (Unregulated)
15	M401548	Nut	
16	M406681	Manifold Pipe	
17	M403163	Spud Holder	Through Serial Number 724077ZE
	M410546	Spud Holder	Starting With Serial Number 724078ZF
18		Burner Orifice	See Table on Page 96
19	M405919	Main Gas Burner	Through Serial Number 724077ZE
	M410541	Main Gas Burner	Starting With Serial Number 724078ZF
20	M406881	Igniter Cable	
21	M406934	Igniter	
22	M406936	Bracket	
23	M406789	Ignition Control	
REF	M414041	Transformer	240 Volt to 120 Volt, 50 Hertz

Instant Electronic Ignition Gas Valve Coil and Wires

Units Manufactured Starting June, 1991 (ZF)

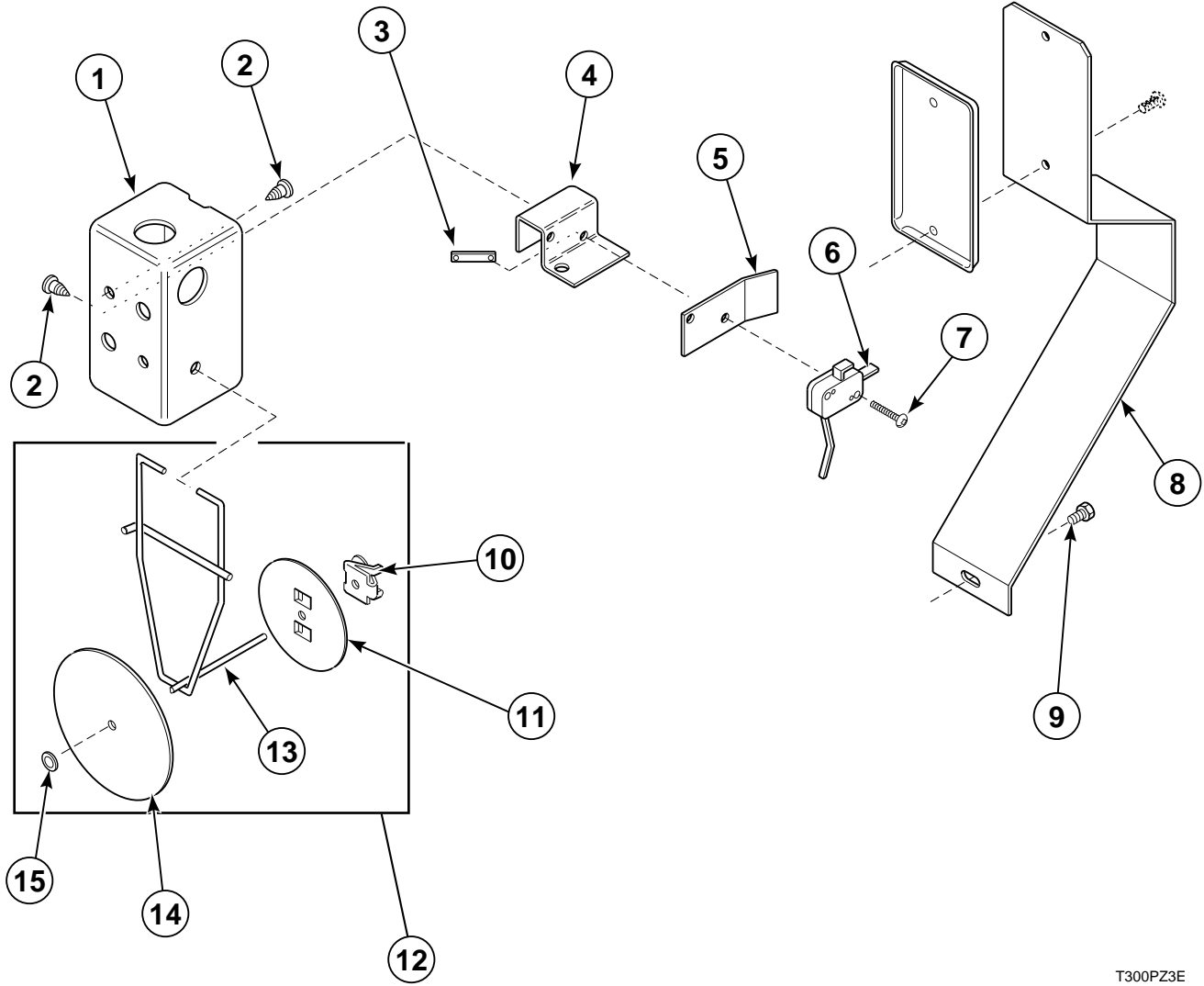


Instant Electronic Ignition Gas Valve Coil and Wires

Units Manufactured Starting June, 1991 (ZF)

REF	PART #	DESCRIPTION	COMMENTS
1	M411134	Main Coil	
2		Gasket For Main Coil	Included With Item 1
3		Redundant Coil	Not Available - Order Complete Valve

Air Flow Switch Assembly



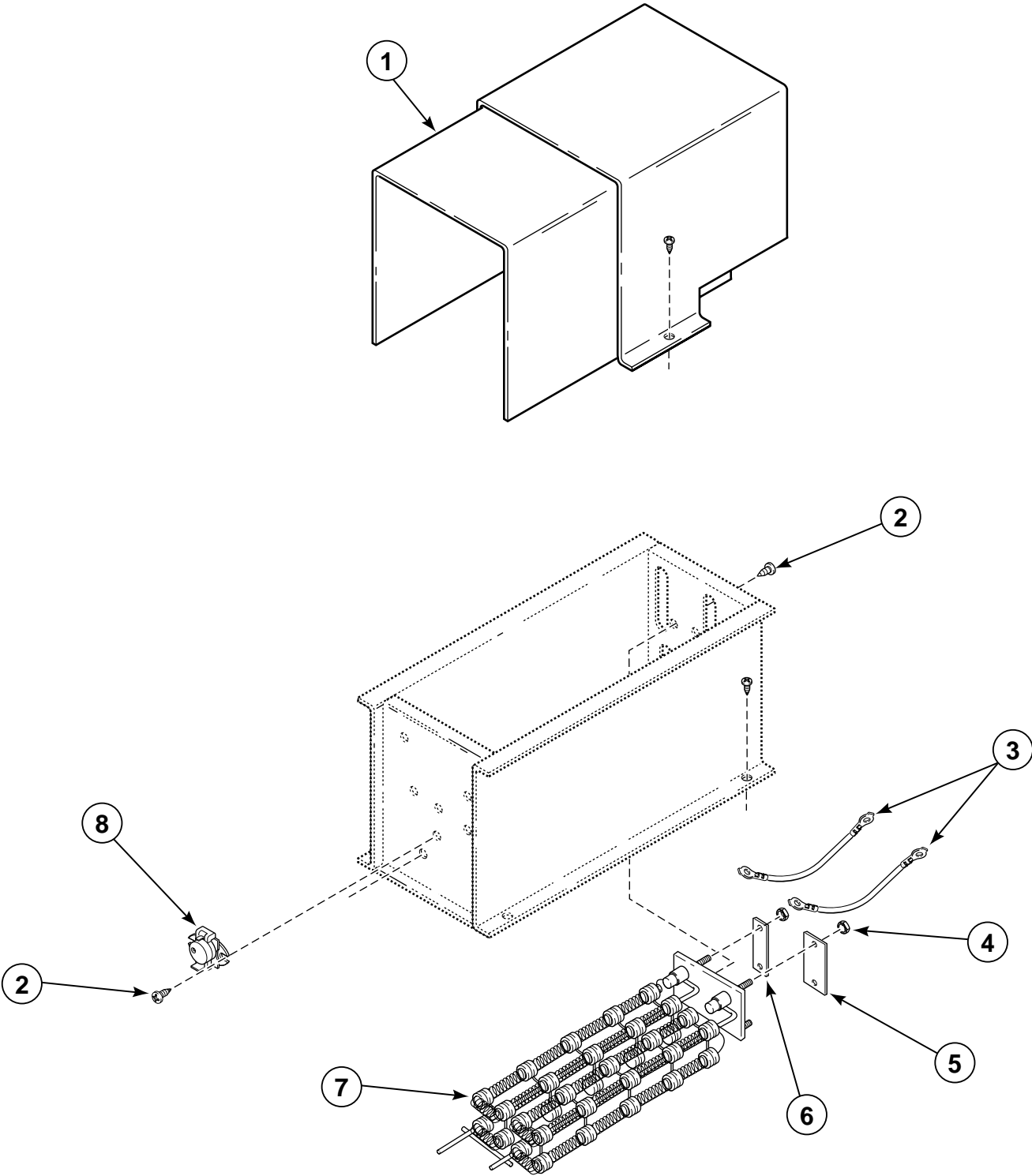
T300PZ3E

Air Flow Switch Assembly

REF	PART #	DESCRIPTION	COMMENTS
1	M403235	Switch Box	
2	M400664	Screw	
3	M400979	Twin Speed Nut	
4	M409202	Switch Mounting Bracket	
5	M400712	Barrier	
6	M400944	Air Flow Switch	
7	M401938	Screw	
8	M410544	Guard	All Except 50CG
9	430497	Screw	
10	M400976	Adjusting Clip	
11	M400822	Counterweight	
12	M400541	Air Flow Vane Assembly	
13	M400753	Lever	
14	M400253	Disc	
15	M400977	Clip	

Electric Heater Components

Through Serial Number 9412024947



T044PZ3C

Electric Heater Components

Through Serial Number 9412024947

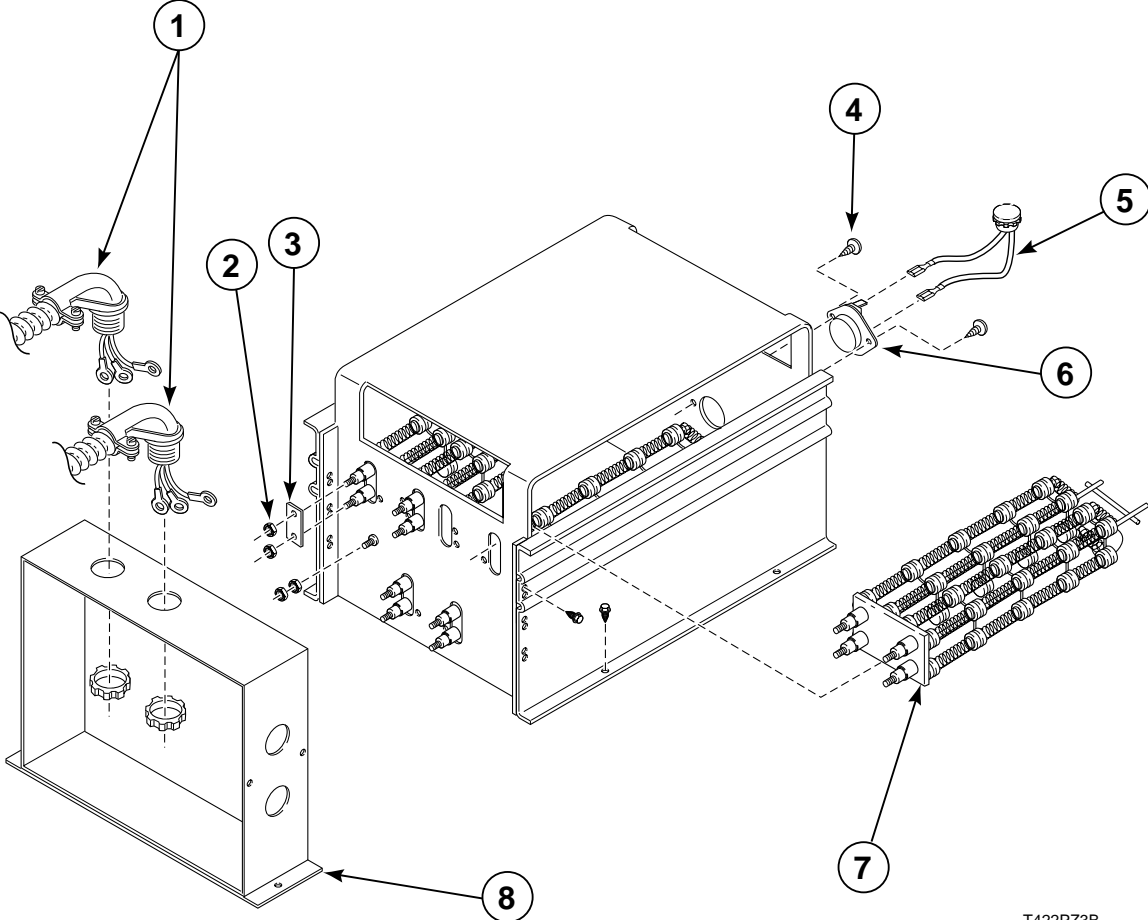
REF	PART #	DESCRIPTION	COMMENTS
1	M401159	Wire Guard	
2	M400664	Screw	
3	M401281	Heater Wire	6 Required For 208/240 Volt
	M401281	Heater Wire	3 Required For 380/415/480 Volt
	M403743	Heater Wire	1 Required For 480 Volt
4	Q6163	Nut	
5	M400866	Buss Bar	6 Required For 208/240 Volt
	M400866	Buss Bar	3 Required For 380/415 Volt
	M400866	Buss Bar	2 Required For 480 Volt
6	M400869	Buss Bar	6 Required For 380/415 Volt
	M400869	Buss Bar	3 Required For 480 Volt
7	M405253	Heater Element*	21kw Models; 7kw
	M405254	Heater Element*	For 208 Volt, 60 Hertz; 10kw 208 Volt
	M405255	Heater Element*	For 380 Volt 50 Hertz, Only; 10kw 220 Volt
	M405256	Heater Element*	For 240 Volt / 480 Volt, 60 Hertz and 415 Volt, 50 Hertz - 10kw 240 Volt
	M410939	Heater Element**	For 240 Volt / 480 Volt, 60 Hertz, and 415v 50 Hertz; 10kw 240 Volt
	M410940	Heater Element**	For 208 Volt, 60 Hertz; 10kw 208 Volt
	M410941	Heater Element**	For 380 Volt, 50 Hertz Only; 10kw 220 Volt
8	M4347P3	High Limit Thermostat Kit	Replaces Older Flat Faced Stat
	M405943	High Limit Thermostat	Raised Face Type

*Through Serial Number 9303030868

**Used from Serial Number 9303030869 through 9412024947

Electric Heater Components

Starting With Serial Number 9412024948



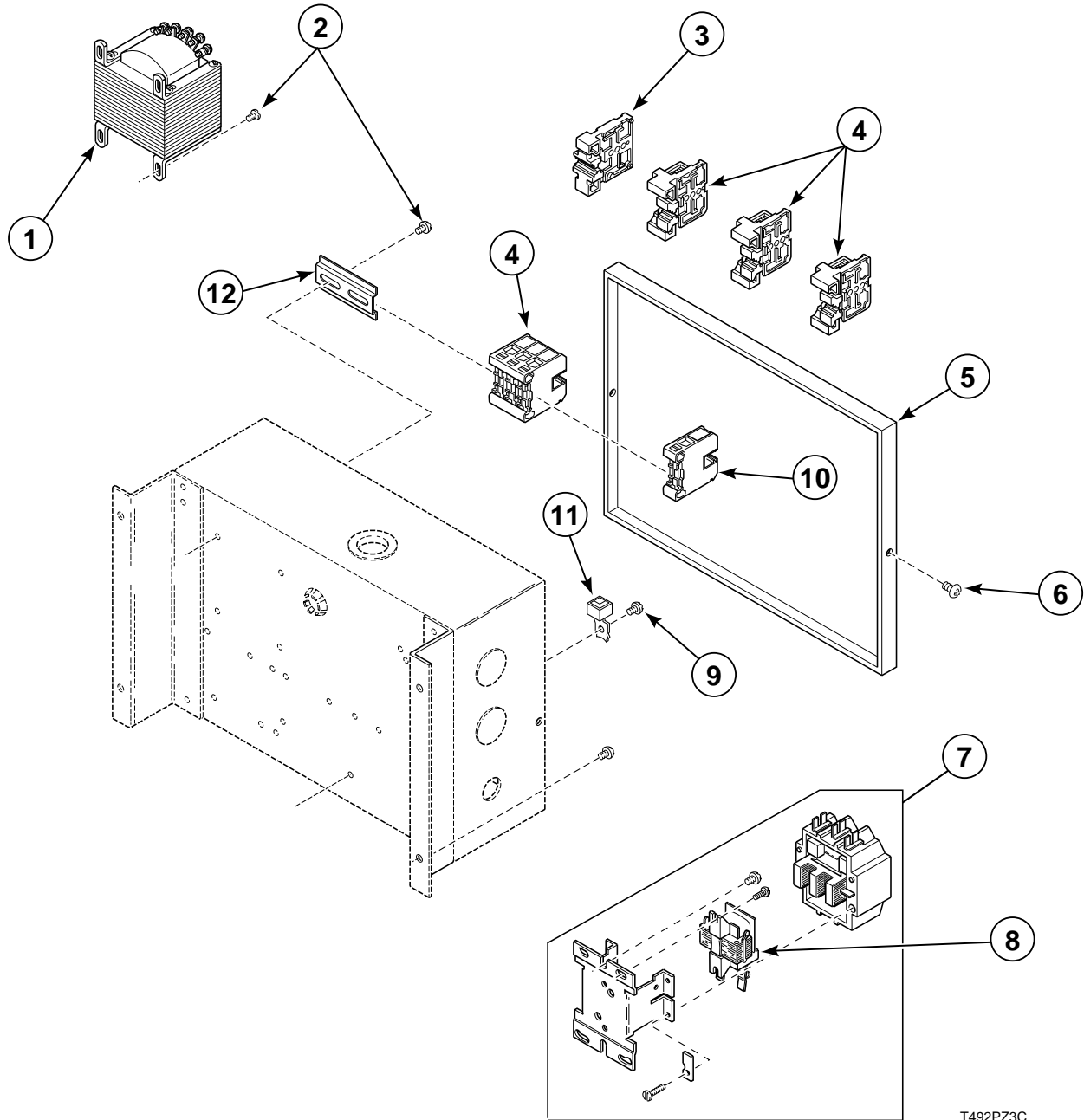
T422PZ3B

Electric Heater Components

Starting With Serial Number 9412024948

REF	PART #	DESCRIPTION	COMMENTS
1	M401281	Wire - Heater To Contactor	6 Required For 208-240 Volt; 3 For 380/415/480 Volt - Nonreversing
	M412758	Wire Harness - Heater To Contactor	2 Required For 208-240 Volt; 1 For 380/415/480 Volt - Reversing
2	Q6163	Nut	
3	M400866	Buss Bar	1 Required For 380/415/480 Volt
	M400869	Buss Bar	6 Required For All Except 480 Volt
	M400869	Buss Bar	3 Required For 480 Volt
	M412287	Element Connector Wire	1 Required For 380/415 Volt, 2 Required For 480 Volt
4	33562	Screw	
5	M409377	Jumper Wire - Stove High Limit	
6	M410220	High Limit Thermostat	
7	M410939	Heater Element	240/415/480 Volt, 10kw
	M410940	Heater Element	208 Volt, 10kw
	M410941	Heater Element	380 Volt, 10kw; 220 Volt, 10kW
	M412955	Heater Element	50 Hertz, 1 Phase, 7kw
8	M412315	Hood For Heater Wires	U.S. Nonreversing
REF	M412316	Cover For M412315 Hood	

Contactor Box - Electric



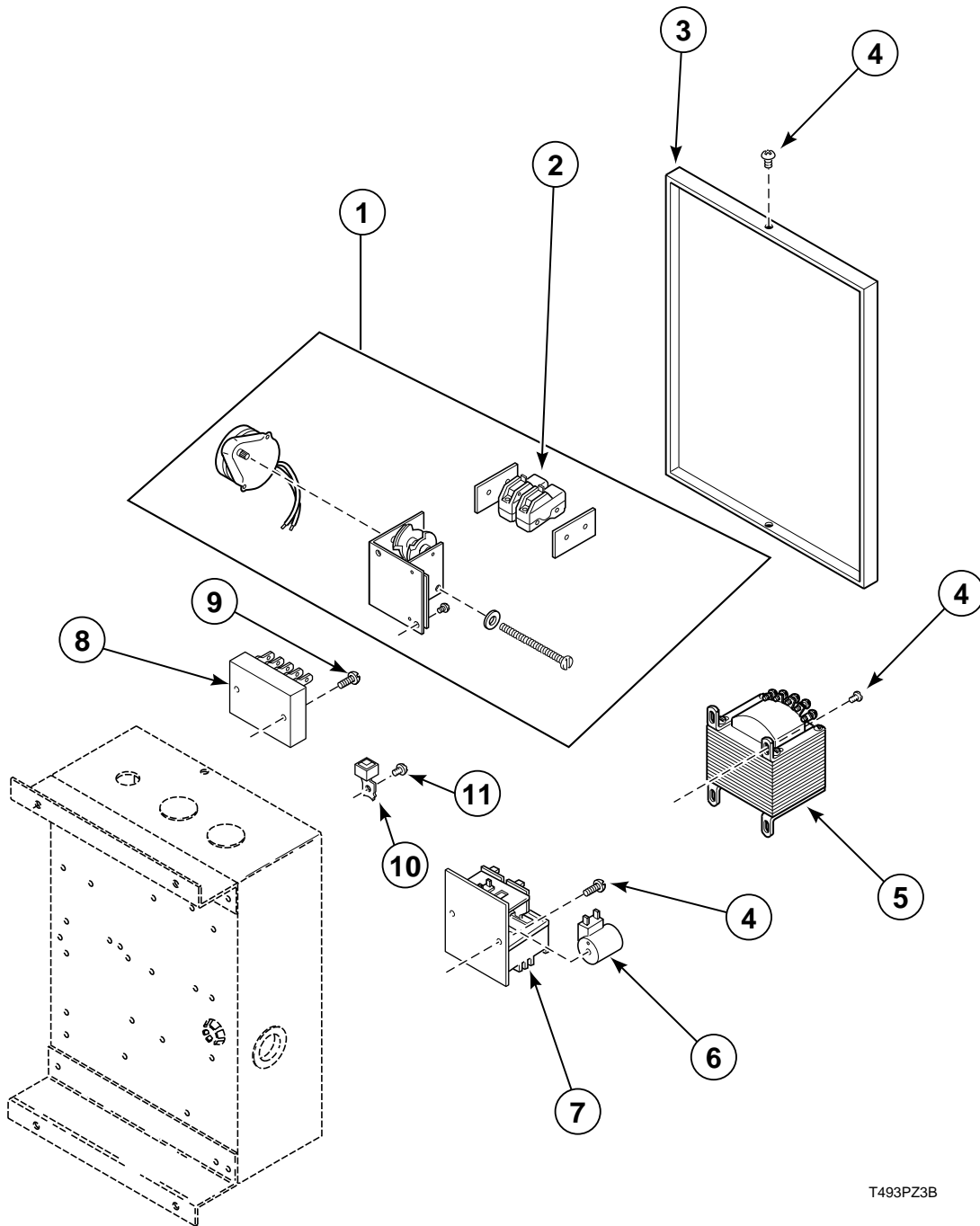
T492PZ3C

Contactor Box - Electric

REF	PART #	DESCRIPTION	COMMENTS
1	M401391	Transformer	480 Volt Only
2	M400044	Screw	
3	M400681	End Cap For M400685	Units Manufactured Until August, 1994
4	M412045	Terminal Block	3 Pole, Units Manufactured After August, 1994
	M400685	Terminal Block	1 Pole, Units Manufactured Until August, 1994
5	M412098	Cover	
6	430497	Screw	
7	M400905	Heater Contactor	240 Volt, 2 Required For 208-240 Volt; 1 For 380/415 Volt
	M405116	Heater Contactor	120 Volt, 480 Volt, Units With 120 Volt, Control Circuit
8	M400914	Coil For M400905 Contactor	240 Volt
9	M402917	Screw	
10	M412042	Terminal Block	380/415 Volt Only
11	M411283	Ground Lug	
12	M412106	Din Rail For Terminal Block	Units Manufactured After August, 1994

Reversing Control

MM and MT Models



T493PZ3B

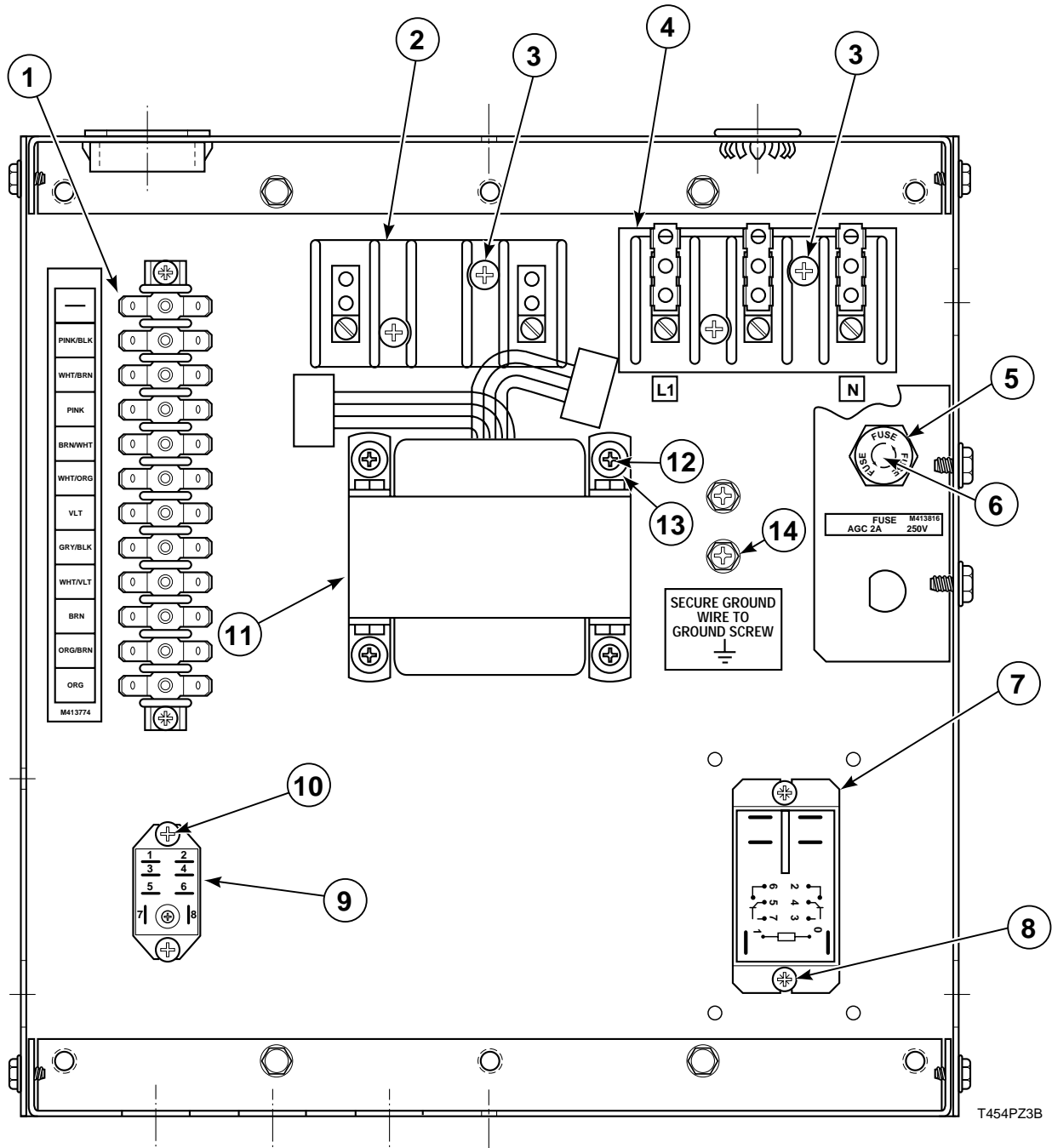
Reversing Control

MM and MT Models

REF	PART #	DESCRIPTION	COMMENTS
1	M401387	Reversing Timer	4 terminals, Before Serial Number 699763YG
	M410434	Reversing Timer	6 terminals, Serial Numbers 699763YG through 9408085248
2	M401542	Switch	
3	M412098	Cover	
4	430497	Screw	
5	M401391	Transformer	600 Volt to 100 Volt, 480 Volt, 60 Hertz only
6	M400915	Coil for M400906	208-240 Volt
7	M400906	Reversing Contactor	208-240 Volt, 60 Hertz, Before Serial Number 9408085249
	M400907	Reversing Contactor	120 Volt, 60 Hertz, Before Serial Number 9408085249
	M409744	Reversing Contactor	240 Volt, 50 Hertz, Before Serial Number 9408085249
	M410515	Reversing Contactor	240 Volt, 50 Hertz, Starting with Serial Number 9408085249
	M410505	Reversing Contactor	208-240 Volt, 60 Hertz, Starting with Serial Number 9408085249
	M411269	Reversing Contactor	MM Models, Starting with Serial Number 9408085249
8	M411683	Reversing Timer	Solid State, Starting with Serial Number 9408085249
9	M412105	Screw	
10	M411283	Ground Plug	
11	M402917	Ground Screw	

Contactor Box Assembly for OM Models

Gas and Steam 120 Volt/60 Hertz/1 Phase, 240 Volt/50 Hertz/1 Phase; Electric 240 Volt/50 Hertz/1 Phase



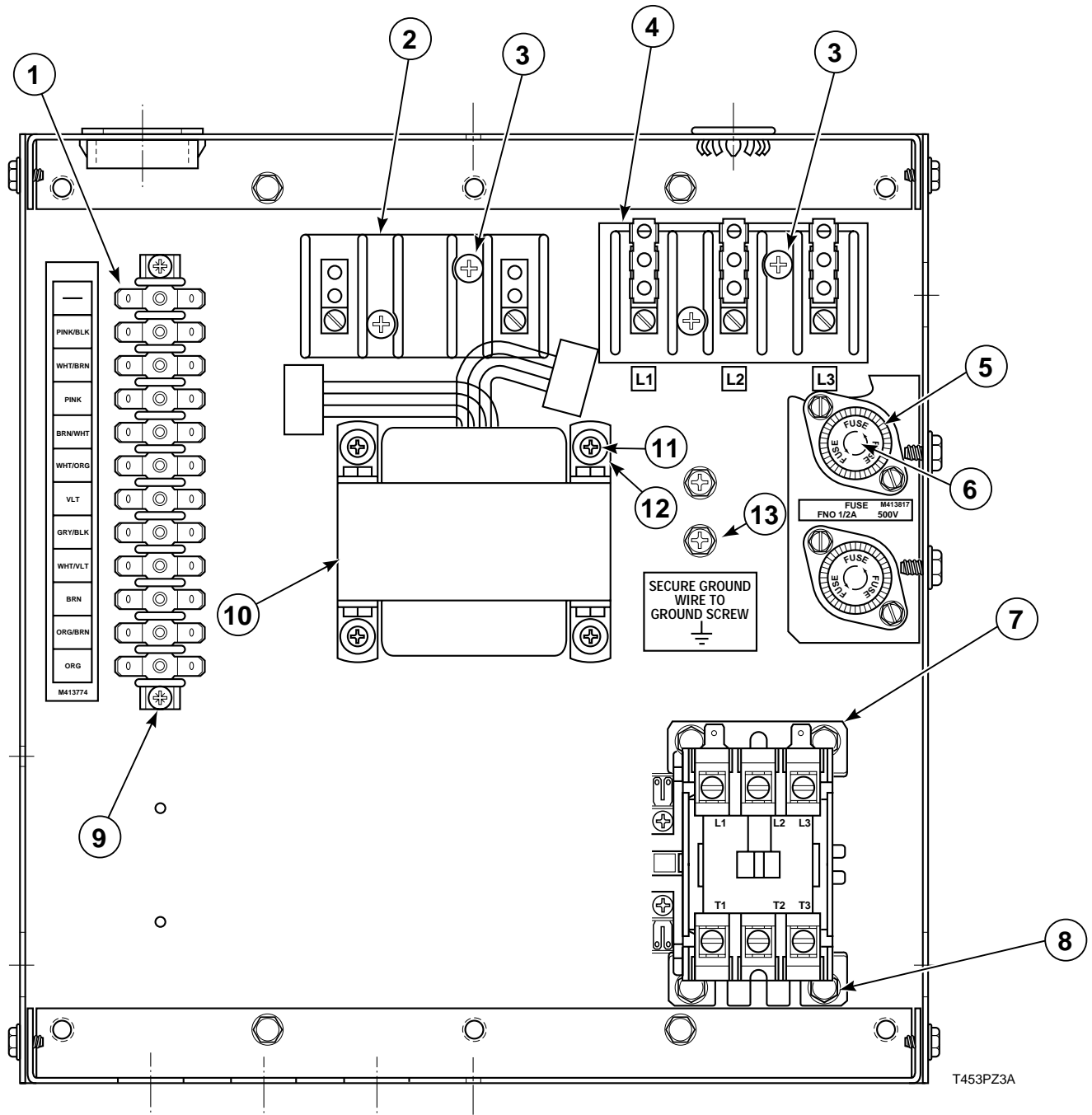
Contactor Box Assembly for OM Models

Gas and Steam 120 Volt/60 Hertz/1 Phase, 240 Volt/50 Hertz/1 Phase; Electric 240 Volt/50 Hertz/1 Phase

REF	PART #	DESCRIPTION	COMMENTS
1	M413542	Terminal Strip	
2	M405364	Terminal Block	2 Pole
3	M405824	Screw	
4	430642	Terminal Block	3 Pole
5	91024	Fuse Holder	
6	M413118	Fuse	250 Volt, 2 Amps
7	502501	Relay	
8	51778	Screw	
9	431349	Relay	120 Volt, 60 Hertz, 1 Phase Gas and Steam
	430746	Relay	240 Volt, 50 Hertz, 1 Phase Gas, Steam and Electric
10	M400071	Screw	
11	M414228	Transformer	
12	M400044	Screw	
13	23951	Nut	
14	M402917	Ground Screw	
REF	M413863	Network Capacitor Assembly	Not Shown
	M413930	Ferrite Core	Not Shown

Contactor Box Assembly for OM Non-Reversing

Gas & Steam 208-240 Volt/60 Hertz/1-3 Phase; Gas, Steam and Electric 380-415-480 Volt/50-60 Hertz/3 Phase



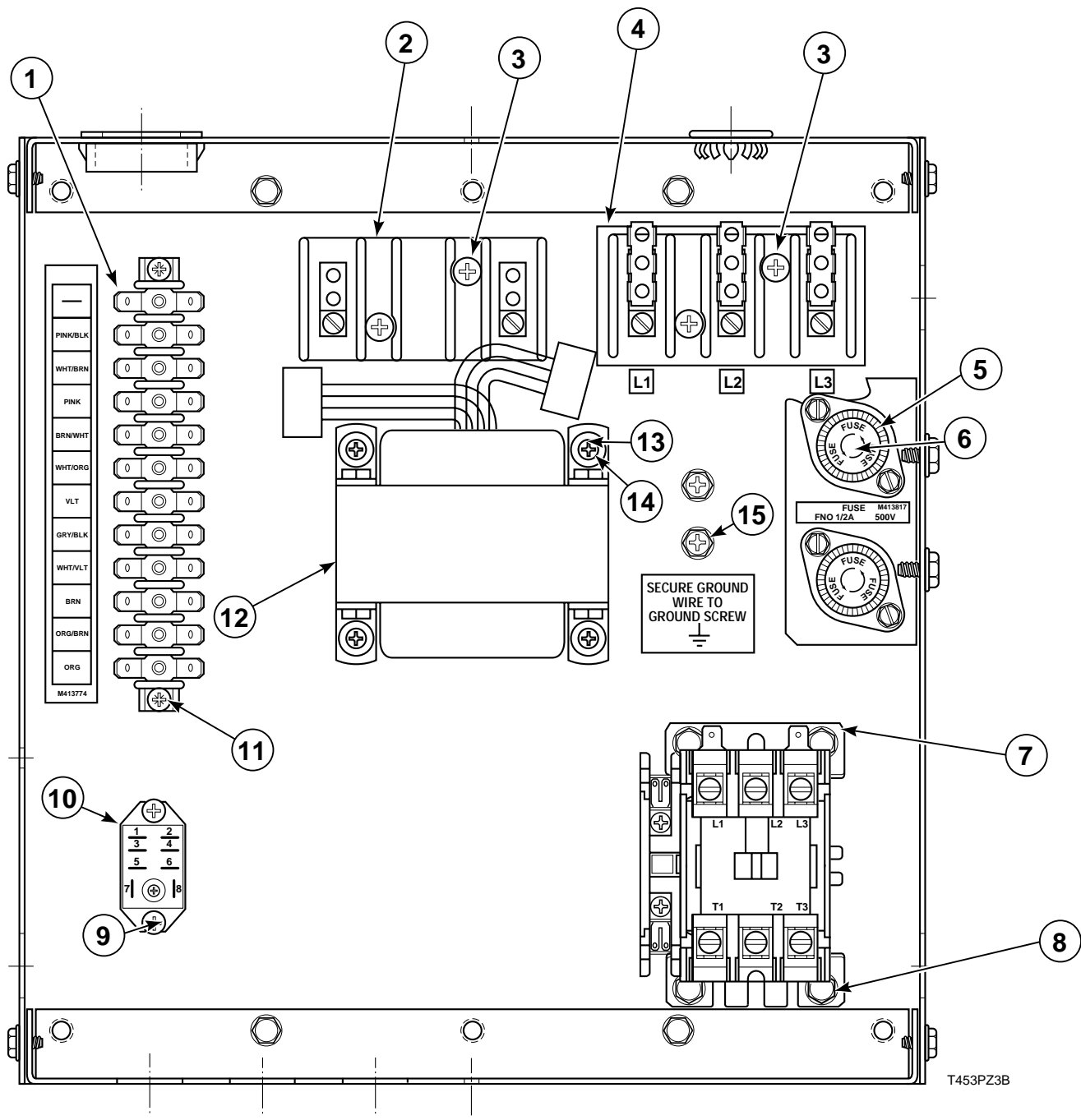
Contactor Box Assembly OM Non-Reversing

Gas & Steam 208-240 Volt/60 Hertz/1-3 Phase; Gas, Steam and Electric 380-415-480 Volt/50-60 Hertz/3 Phase

REF	PART #	DESCRIPTION	COMMENTS
1	M413542	Terminal Strip	
2	M405364	Terminal Block	2 Pole
3	M405824	Screw	
4	430642	Terminal Block	3 Pole
5	M413544	Fuse Holder	380-415-480 Volt, 50-60 Hertz, 3 Phase
	91024	Fuse Holder	208-240 Volt, 60 Hertz, 1-3 Phase
6	M413621	Fuse	600 Volt, 0.5 Amps, 380-415-480 Volt, 50-60 Hertz, 3 Phase
	M413118	Fuse	250 Volt, 2 Amps, 208-240 Volt, 60 Hertz, 1-3 Phase
7	M413614	Contactor	
8	51780	Screw	
9	51778	Screw	
10	M414229	Transformer	380-415-480 Volt, 50-60 Hertz, 3 Phase
	M414228	Transformer	208-240 Volt, 60 Hertz, 1-3 Phase
11	M400044	Screw	
12	23951	Nut	
13	M402917	Ground Screw	
REF	M413863	Network Capacitor Assembly	
	M413930	Ferrite Core	

Contactor Box Assembly for OM Non-Reversing Electric Models

208-240 Volt/50-60 Hertz/3 Phase



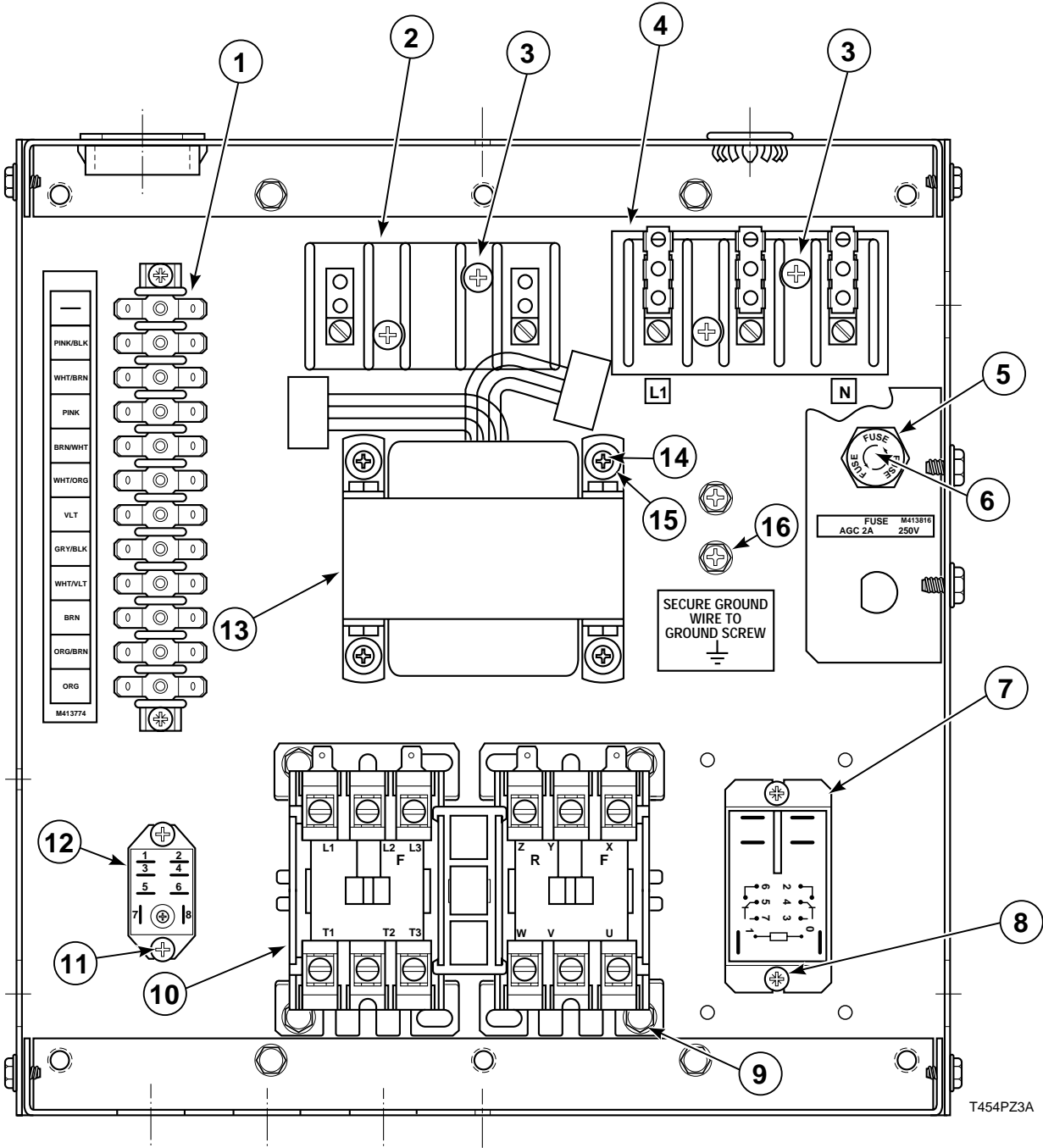
Contactor Box Assembly for OM Non-Reversing Electric Models

208-240 Volt/50-60 Hertz/3 Phase

REF	PART #	DESCRIPTION	COMMENTS
1	M413542	Terminal Strip	
2	M405364	Terminal Block	2 Pole
3	M405824	Screw	
4	430642	Terminal Block	3 Pole
5	91024	Fuse Holder	
6	M413118	Fuse	250 Volt, 2 Amps
7	M413614	Contactor	
8	51778	Screw	
9	M400071	Screw	
10	430746	Relay	
11	51780	Screw	
12	M414228	Transformer	
13	M400044	Screw	
14	23951	Nut	
15	M402917	Ground Screw	
REF	M413863	Network Capacitor Assembly	Not Shown
	M413930	Ferrite Core	Not Shown

Contactor Box Assembly for OM Reversing Models

Gas, Steam and Electric 240 Volt/50 Hertz/1 Phase



T454PZ3A

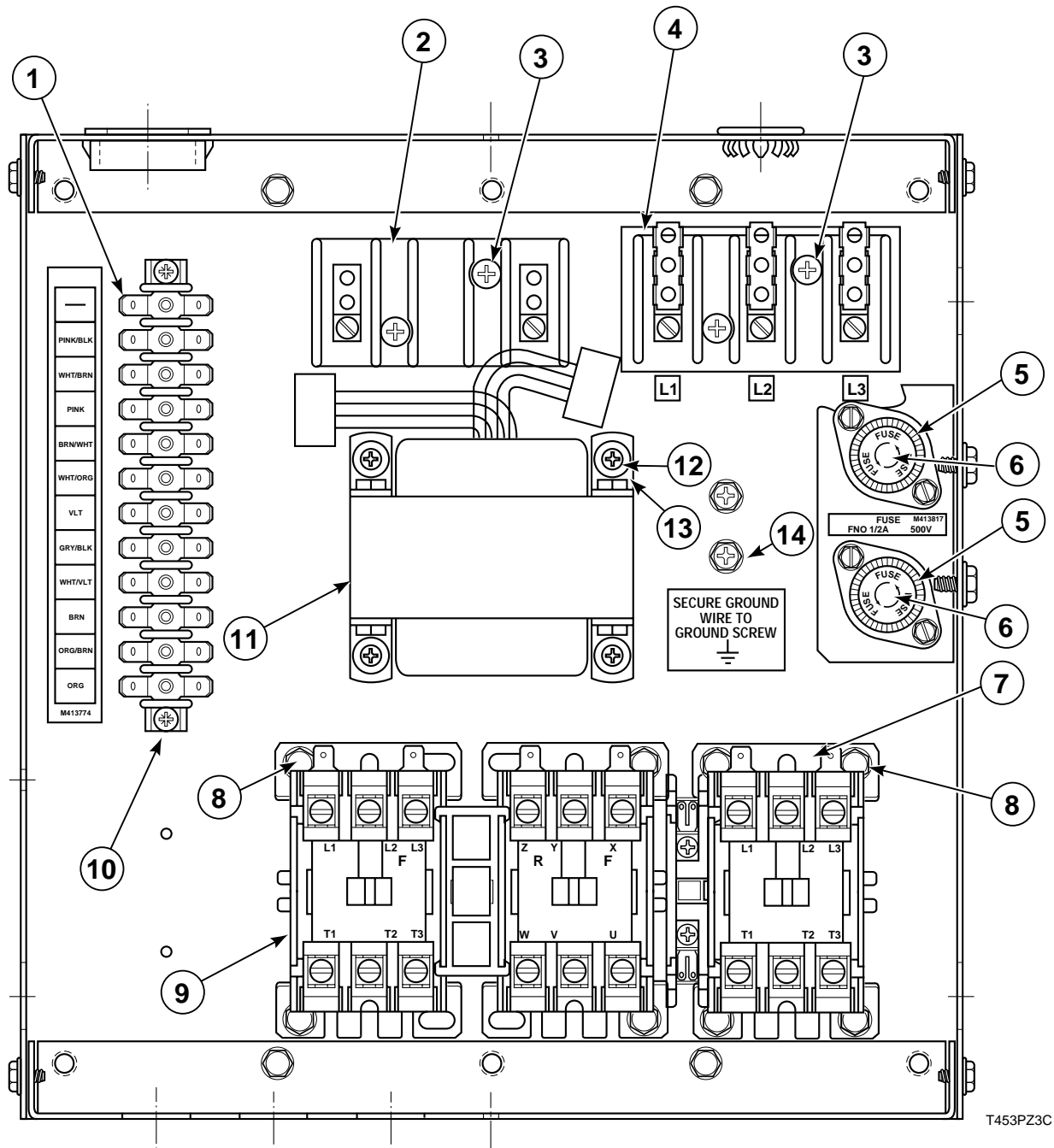
Contactor Box Assembly for OM Reversing Models

Gas, Steam and Electric 240 Volt/50 Hertz/1 Phase

REF	PART #	DESCRIPTION	COMMENTS
1	M413542	Terminal Strip	
2	M405364	Terminal Block	2 Pole
3	M405824	Screw	
4	430642	Terminal Block	3 Pole
5	91024	Fuse Holder	
6	M413118	Fuse	250 Volt, 2 Amps
7	502501	Relay	
8	51778	Screw	
9	51780	Screw	
10	M413615	Reversing Contactor	
11	M400071	Screw	
12	430746	Relay	
13	M414228	Transformer	
14	M400044	Screw	
15	23951	Nut	
16	M402917	Ground Screw	
REF	M413863	Network Capacitor Assembly	Not Shown
	M413930	Ferrite Core	Not Shown

Contactor Box Assembly for OM Reversing Models

Gas, Steam and Electric, 208-240-380-415-480 Volt/50-60 Hertz/3 Phase

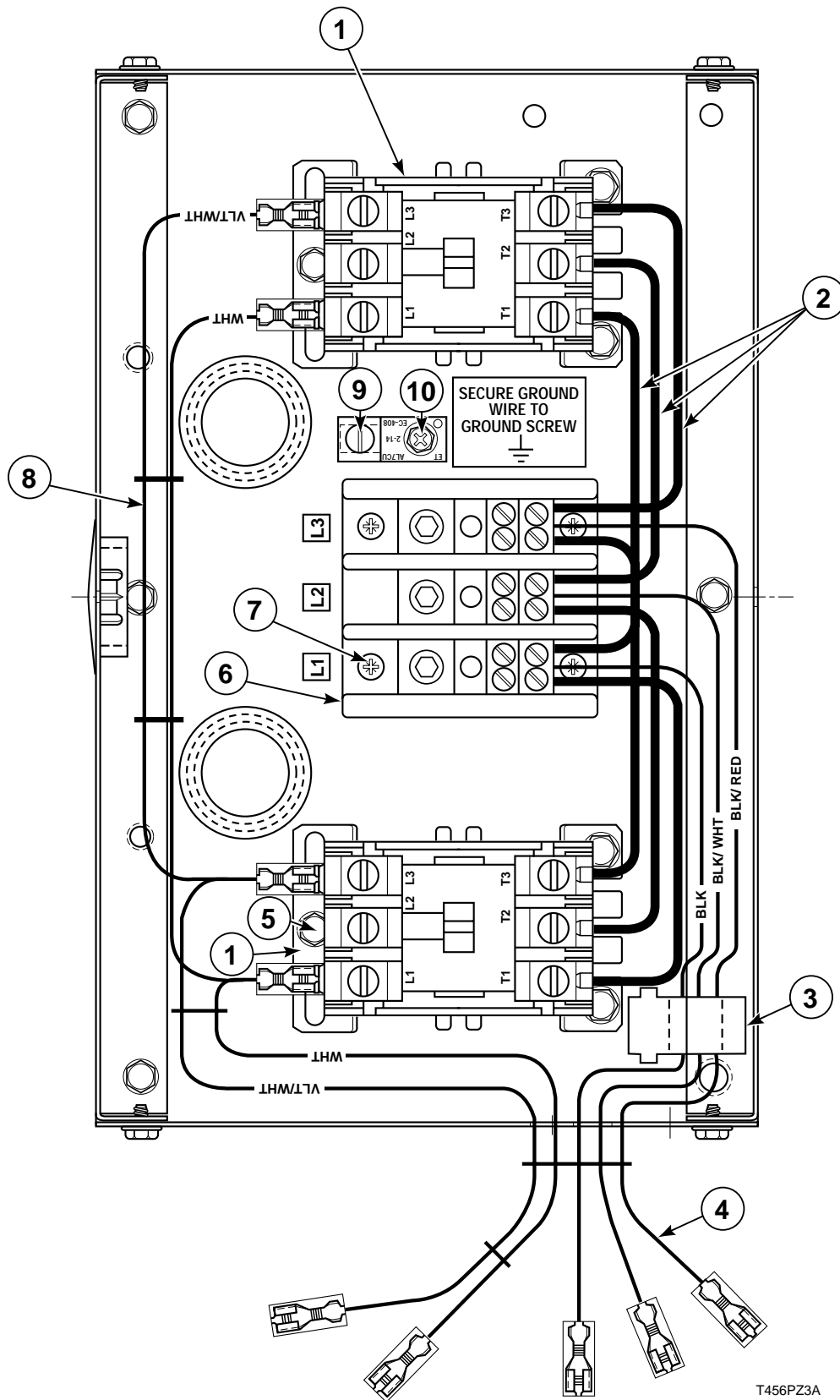


Contactor Box Assembly for OM Reversing Models

Gas, Steam and Electric, 208-240-380-415-480 Volt/50-60 Hertz/3 Phase

REF	PART #	DESCRIPTION	COMMENTS
1	M413542	Terminal Strip	
2	M405364	Terminal Block	2 Pole
3	M405824	Screw	
4	430642	Terminal Block	3 Pole
5	91024	Fuse Holder	208-240 Volt, 50-60 Hertz, 3 Phase
	M413544	Fuse Holder	380-415-480 Volt, 50-60 Hertz, 3 Phase
6	M413118	Fuse	250 Volt, 2 Amps; 208-240 Volt, 50-60 Hertz, 3 Phase
	M413621	Fuse	600 Volt, 0.5 Amps; 380-415-480 Volt, 50-60 Hertz, 3 Phase
7	M413614	Contactor	
8	51780	Screw	
9	M413615	Reversing Contactor	
10	51778	Screw	
11	M414228	Transformer	208-240 Volt, 50-60 Hertz, 3 Phase
12	M414229	Transformer	380-415-480 Volt, 50-60 Hertz, 3 Phase
13	M400044	Screw	
14	23951	Nut	
REF	M402917	Ground Screw	
	M413863	Network Capacitor Assembly	Not Shown
	M413930	Ferrite Core	Not Shown

Accessory Box - Electric OM Models

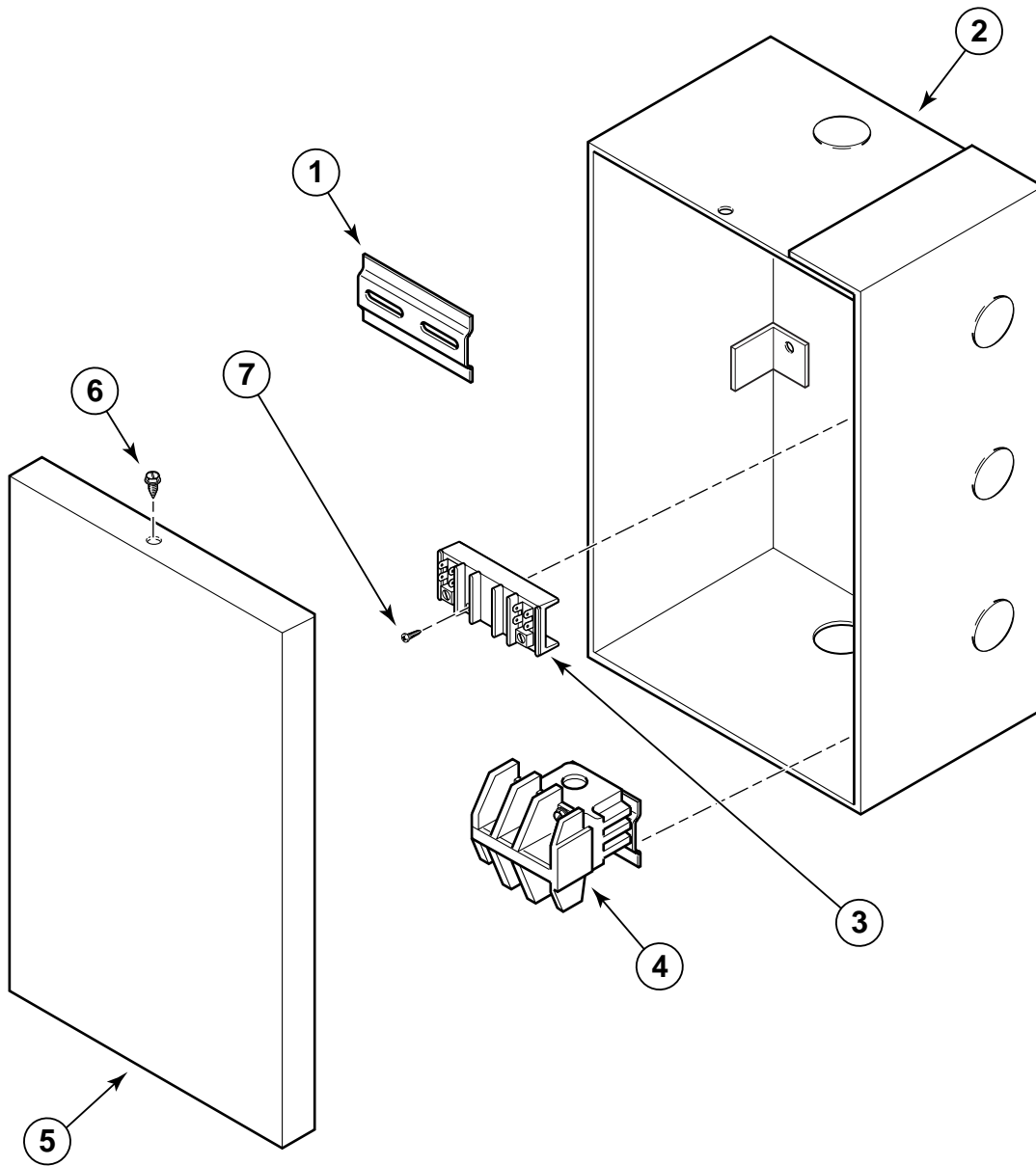


Accessory Box - Electric OM Models

REF	PART #	DESCRIPTION	COMMENTS
1	M413616	Contactora	2 Required for 208-240 Volt
2	M413933	Jumper Cable	208-240 Volt, 50-60 Hertz, 3 Phase, 6 Required
	M413933	Jumper Cable	240 Volt, 50 Hertz, 1 Phase, 4 Required
	M413933	Jumper Cable	380-480 Volt, 50-60 Hertz, 3 Phase, 3 Required
	M413934	Jumper Cable	240 Volt, 50 Hertz, 1 Phase, 2 Required
3	M413930	Ferrite Core	
4	M413932	Wire Harness	240 Volt, 50 Hertz, 1 Phase
	M413696	Wire Harness	208-240 Volt, 50-60 Hertz, 3 Phase
	M413696	Wire Harness	380-480 Volt, 50-60 Hertz, 3 Phase
5	51780	Screw For Item 1	
6	M413864	Power Distribution Block	2 Pole, 240 Volt, 50 Hertz, 1 Phase
	M413865	Power Distribution Block	3 Pole, All 3 Phase
7	32671	Screw	
8	M413883	Jumper Harness	208-240 Volt, 50-60 Hertz, 1-3 Phase
9	M411283	Ground Lug	
10	M402917	Ground Screw	

Junction Box

MT, MM, Reversing and Nonreversing



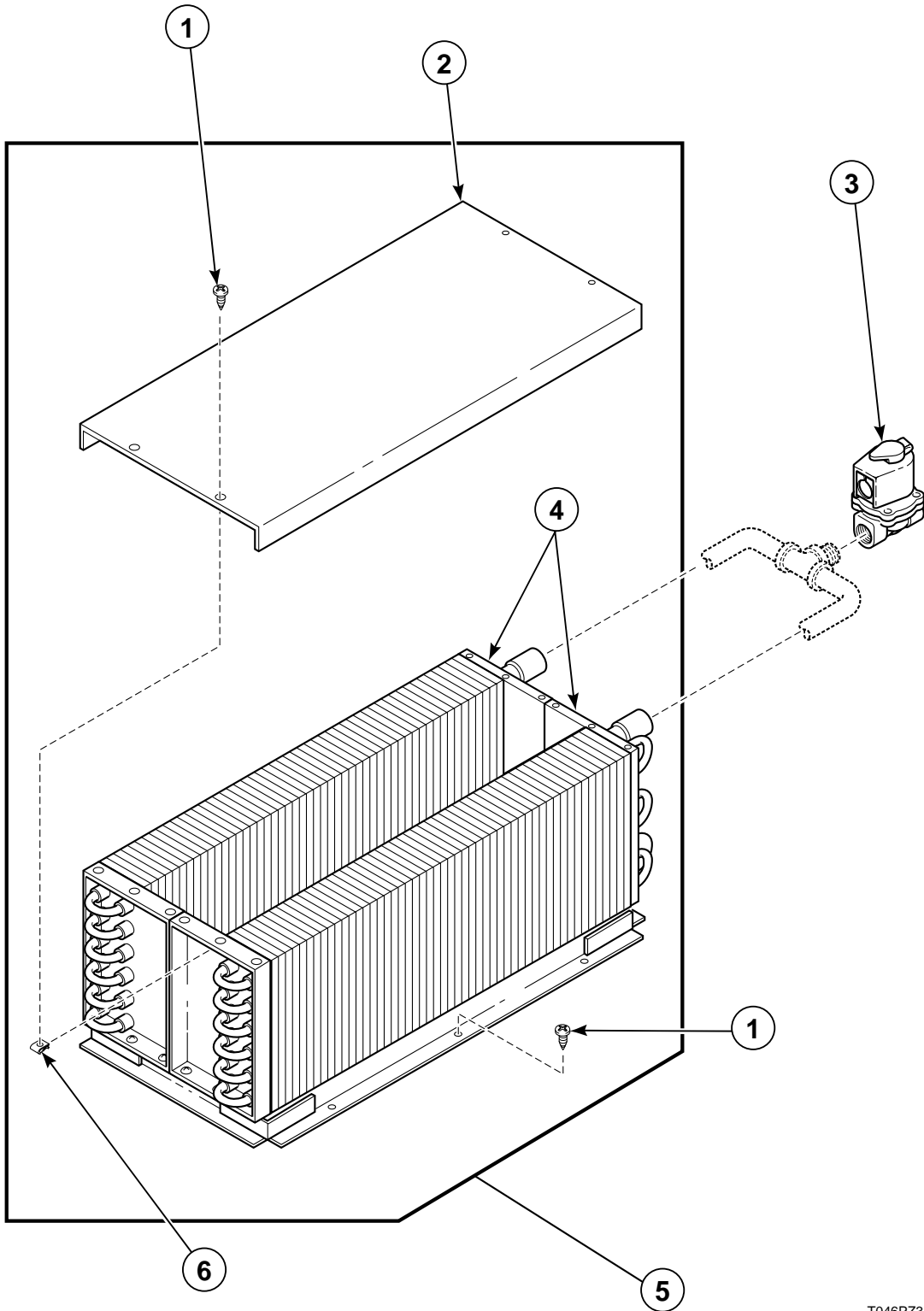
T510pz3a

Junction Box

MT, MM, Reversing and Nonreversing

REF	PART #	DESCRIPTION	COMMENTS
1	M410501	Din Rail	
2	M410364	Junction Box	
3	M405364	Terminal Block	120 Volt Gas Models
	M405363	Terminal Block	208/240 Volt Gas Models
	M405364	Terminal Block	Steam Models
4	M410529	Fan Contactor	208-240-480 Volt
	M410457	Fan Contactor	480 Volt Reversing
5	M414352	Cover	
6	51780	Screw	
7	M405824	Screw	

Steam Heater and Valve



T046PZ3B

Steam Heater and Valve

REF	PART #	DESCRIPTION	COMMENTS
1	430497	Screw	
2	M400828	Top Cover	
3	M413295	Steam Valve	Danfoss for CSH and CSL; 120 Volt, 60 Hertz
	M413297	Steam Valve	Danfoss for CSH and CSL; 240 Volt, 60 Hertz
	M413298	Steam Valve	Danfoss for CSH and CSL; 240 Volt, 50 Hertz
	M412241	Steam Valve	
	M413446	Steam Valve	
4	M400636	Steam Coil	9 Inches High; CSL
	M400637	Steam Coil	15 Inches High; CSH
5	M400455	Steam Heater Complete	CSL
	M413572	Steam Heater Complete	CSH
6	M400974	Clip	
REF	M400152	Repair Kit	For M401376 and M401377 (Asco No. 8222E3)
	M401380	Solenoid Coil	For M401376 (Asco No. 8222E3), 120 Volt, 50-60 Hertz
	M401381	Solenoid Coil	For M401377 (Asco No. 8222E3), 240 Volt, 50-60 Hertz
	M401382	Solenoid Coil	For M401378 (Asco No. 8222B95), 120 Volt, 50-60 Hertz
	M401383	Solenoid Coil	For M401379 (Asco No. 8222B95), 240 Volt, 50-60 Hertz
	M401384	Repair Kit	For M401378 and M401379 (Asco No. 8222B95)
	M411692	Solenoid Coil	For M411688 (Asco No. 8220G23), 120 Volt, 50-60 Hertz
	M411693	Solenoid Coil	For M411689 (Asco No. 8220G23), 240 Volt, 50-60 Hertz
	M411694	Solenoid Coil	For M411690 (Asco No. 8220G5), 120 Volt, 50-60 Hertz
	M411695	Solenoid Coil	For M411691 (Asco No. 8220G5), 240 Volt, 50-60 Hertz
	M411696	Repair Kit	For M411688 and M411689 (Asco No. 8220G23)
	M411697	Repair Kit	For M411690 and M411691 (Asco No. 8220G5)
	M412258	Solenoid Coil	For M412241 (Danfoss - 24 Volt, 50 Hertz
	M412259	Repair Kit	For M412241 and M413446
	M413299	Solenoid Coil	For M413295; 120 Volt, 60 Hertz
	M413301	Solenoid Coil	For M413297; 240 Volt, 60 Hertz
	M413302	Solenoid Coil	For M413298; 240 Volt, 50 Hertz
	M413451	Solenoid Coil	For M413446; 24 Volt, 60 Hertz

Standard Connection Motor Usage Table

Standard Connection Motors have Wire Leads which connect to the Tumbler Harness

REVERSING MODELS

MODEL	ELECTRIC SERVICE	FAN MOTOR		DRIVE MOTOR	
		Part Number	HP	Part Number	HP
50CE	208-240 Volt, 60 Hertz, 3 Phase	M411189	1/3	M412519P	1/3
	240 Volt, 50 Hertz, 3 Phase	M409735	1/3	M412519P	1/3
	380-415 Volt, 50 Hertz, 3 Phase	M411189	1/3	M412519P	1/3
	480 Volt, 60 Hertz, 3 Phase	M411189	1/3	M412519P	1/3
50CG	208-240 Volt, 60 Hertz, 3 Phase	M411189	1/3	M412519P	1/3
	240 Volt, 50 Hertz, 1 Phase	M411192	1/3	M412520P	1/3
	380-415 Volt, 50 Hertz, 3 Phase	M411189	1/3	M412519P	1/3
50CSH	208-240 Volt, 60 Hertz, 3 Phase	M411189	1/3	M412519P	1/3
	240 Volt, 50 Hertz, 1 Phase	M400382	1/3	M412520P	1/3
	380-415 Volt, 50 Hertz, 3 Phase	M411189	1/3	M412519P	1/3
	480 Volt, 60 Hertz, 3 Phase	M411189	1/3	M412519P	1/3
50CSL	208-240 Volt, 60 Hertz, 3 Phase	M411189	1/3	M412519P	1/3
50EG	208-240 Volt, 60 Hertz, 3 Phase	M411189	1/3	M412519P	1/3
	240 Volt, 50 Hertz, 1 Phase	M409735	1/3	M412520P	1/3

NONREVERSING MODELS

MODEL	ELECTRIC SERVICE	FAN MOTOR	
		Part Number	HP
50CE	208 Volt, 60 Hertz, 1 Phase	M400388	1/2
	240 Volt, 60 Hertz, 3 Phase	M400390	1/2
	240 Volt, 50 Hertz, 1 Phase	M411192	1/2
	240 Volt, 50 Hertz, 3 Phase	M411190	1/2
	380-415 Volt, 50 Hertz, 3 Phase	M411190	1/2
	480 Volt, 60 Hertz, 3 Phase	M411190	1/2
50CG	120 Volt, 60 Hertz, 1 Phase	M400390	1/2
	208 Volt, 60 Hertz, 1 Phase	M400388	1/2
	240 Volt, 60 Hertz, 1 Phase	M400390	1/2
	240 Volt, 50 Hertz, 1 Phase	M411192	1/2
	480 Volt, 60 Hertz, 3 Phase	M411190	1/2
50CSH	208 Volt, 60 Hertz, 1 Phase	M400388	1/2
	240 Volt, 60 Hertz, 1 Phase	M400390	1/2
	208-240 Volt, 60 Hertz, 3 Phase	M411190	1/2
	240 Volt, 50 Hertz, 1 Phase	M411192	1/2
	380-415 Volt, 50 Hertz, 3 Phase	M411189	1/2
	480 Volt, 60 Hertz, 3 Phase	M411189	1/2
50CSL	120 Volt, 60 Hertz, 1 Phase	M411191	3/4
	208-240 Volt, 60 Hertz, 1 Phase	M411191	3/4
	208-240 Volt, 60 Hertz, 3 Phase	M411188	3/4
50EG	120 Volt, 60 Hertz, 1 Phase	M400390	1/2
	208 Volt, 60 Hertz, 1 Phase	M400388	1/2
	208-240 Volt, 60 Hertz, 1 Phase	M400390	1/2
	208-240 Volt, 60 Hertz, 3 Phase	M411189	1/2
	240 Volt, 50 Hertz, 1 Phase	M411192	1/2

Quick Connect Motor Usage Table

Quick Connect Motors have terminal blocks for wire connections.

REVERSING MODELS

MODEL	ELECTRIC SERVICE	FAN MOTOR		DRIVE MOTOR	
		Part Number	HP	Part Number	HP
50CE	208-240 Volt, 60 Hertz, 3 Phase	M409438	1/3	M412519P	1/3
	240 Volt, 50 Hertz, 3 Phase	M409735	1/3	M412519P	1/3
	380-415 Volt, 50 Hertz, 3 Phase	M412516	1/3	M412519P	1/3
	480 Volt, 60 Hertz, 3 Phase	M412516	1/3	M412519P	1/3
50CG	208-240 Volt, 60 Hertz, 3 Phase	M412516	1/3	M412519P	1/3
	240 Volt, 50 Hertz, 1 Phase	M409735	1/3	M412520P	1/3
	380-415 Volt, 50 Hertz, 3 Phase	M412516	1/3	M412519P	1/3
50CSH	208-240 Volt, 60 Hertz, 3 Phase	M412516	1/3	M412519P	1/3
	240 Volt, 50 Hertz, 1 Phase	M409735	1/3	M412520P	1/3
	380-415 Volt, 50 Hertz, 3 Phase	M412516	1/3	M412519P	1/3
	480 Volt, 60 Hertz, 3 Phase	M412516	1/3	M412519P	1/3
50CSL	208-240 Volt, 60 Hertz, 3 Phase	M412516	1/3	M412519P	1/3
50EG	208-240 Volt, 60 Hertz, 3 Phase	M412516	1/3	M412519P	1/3
	240 Volt, 50 Hertz, 1 Phase	M409735	1/3	M412520P	1/3
	380-415 Volt, 50 Hertz, 3 Phase	M412516	1/3	M412519P	1/3

NONREVERSING MODELS

MODEL	ELECTRIC SERVICE	FAN MOTOR	
		Part Number	HP
50CE	208-240 Volt, 60 Hertz, 3 Phase	M409439	1/2
	240 Volt, 50 Hertz, 1 Phase	M412225	1/2
	240 Volt, 50 Hertz, 3 Phase	M412225	1/2
	380-415 Volt, 50 Hertz, 3 Phase	M412225	1/2
	480 Volt, 60 Hertz, 3 Phase	M412517	1/2
50CG	120 Volt, 60 Hertz, 1 Phase	M409439	1/2
	208-240 Volt, 60 Hertz, 1 Phase	M409439	1/2
	240 Volt, 50 Hertz, 1 Phase	M412225	1/2
	480 Volt, 60 Hertz, 3 Phase	M412517	1/2
50CSH	208-240 Volt, 60 Hertz, 1 Phase	M409439	1/2
	208-240 Volt, 60 Hertz, 3 Phase	M412517	1/2
	240 Volt, 50 Hertz, 1 Phase	M412225	1/2
	380-415 Volt, 50 Hertz, 3 Phase	M412517	1/2
	480 Volt, 60 Hertz, 3 Phase	M412517	1/2
50CSL	120 Volt, 60 Hertz, 1 Phase	M412227	3/4
	208-240 Volt, 60 Hertz, 1 Phase	M412227	3/4
	208-240 Volt, 60 Hertz, 3 Phase	M412518	3/4
50EG	120 Volt, 60 Hertz, 1 Phase	M409439	1/2
	208-240 Volt, 60 Hertz, 1 Phase	M409439	1/2
	208-240 Volt, 60 Hertz, 3 Phase	M412517	1/2
	240 Volt, 50 Hertz, 1 Phase	M412225	1/2

Gas Burner Orifice Chart

50CG Models

GAS TYPE	ELEVATION	PART. NUMBER	DRILL SIZE
LP	0-2000'	M401011	#44
	2001-4000'	M401027	#45
	4001-6000'	M401003	#46
	6001-8000'	M400999	#47
	8001-10000'	M401001	#48
Natural Gas	0-2000'	M400998	#27
	2001-4000'	M401014	#28
	4001-6000'	M400997	#29
	6001-8000'	M401021	#30
	8001-10000'	M401021	#30

Pilot Orifices For Standing Pilot Models

Natural Gas	ALL	Q8152	.023
LP	ALL	M400918	.012

50EG Energy Saver Models

LP	0-2000'	M400999	#46
	2001-4000'	M401001	#47
	4001-6000'	M401018	#48
	6001-8000'	M401016	#49
	8001-10000'	M401019	#50
NG	0-2000'	M400997	#29
	2001-4000'	M401021	#30
	4001-6000'	M401021	#30
	6001-8000'	M401017	#31
	8001-10000'	M402444	#32

Pilot Orifices For Automatic Pilot Ignition Models

Natural Gas	ALL	M402701	.023
LP	ALL	M402598	.012

Wire Harness Table

PART	FUNCTION	COMMENTS
M413932	Accessory Box Harness	CE, OM, 240 Volt, 50 Hertz, 1 Phase
M413696	Accessory Box Harness	CE, OM, 3 Phase
M413883	Accessory Box Jumper Set	CE, OM, 208-240 Volt, 50-60 Hertz, 1 Phase
M405823	Air Flow Switch to Cabinet High Limit Thermostat	EG, Coin and Manual Timer
M413689	Air Flow Switch to Cabinet High Limit Thermostat	CE, OM
M413690	Air Flow Switch to Cabinet High Limit Thermostat	CG, OM
M401909	Air Flow Switch to Junction Box	All CG, Coin and Manual Timer
M403824	Air Flow Switch to Stove High Limit Thermostat	All CG, Coin and Manual Timer
M412609	Air Flow Switch to Stove High Limit Thermostat	CG, OM, Reversing and Nonreversing
M413168	Bypass Harness	CG, CE, CSH, CSL OM Reversing
M405380	Cabinet High Limit to Stove High Limit Thermostat	EG, Coin and Manual Timer
M413878	Capacitor Network Harness	All OM Models
M413681	Contacto Box Harness	CG, CSH, CSL, OM, 60 Hertz, 1 Phase; CE, OM 50 Hertz
M413682	Contacto Box Harness	CG, CE, CSH, CSL, OM, Reversing, 240 Volt, 50 Hertz, 1 Phase
M413683	Contacto Box Harness	CG, CE, CSH, CSL, OM, 3 Phase
M413684	Contacto Box Harness	CG, CE, CSH, CSL, OM, Reversing 3 Phase
M413754	Contacto Box Harness	CG, CE, CSH, CSL, OM, 1 Phase
M413824	Contacto Box Harness	CG, OM Australia
M411794	Contacto Box to Junction Box	CE. Coin, Manual Timer, 480 Volt, 60 Hertz, 3 Phase
M412108	Contacto Box to Junction Box	CE. Manual Timer Reversing, 480 Volt, 60 Hertz, 3 Phase
M412109	Contacto Box to Junction Box	CE. Manual Timer Reversing, 208-240 Volt, 50-60 Hertz, 3 Phase
M412111	Contacto Box to Junction Box	CE. Manual Timer Reversing, 380-415 Volt, 50 Hertz, 3 Phase
M412145	Contacto Box to Junction Box	CG, EG, CSH. Manual Timer Reversing, 230 Volt, 50 Hertz, 1 Phase
M412146	Contacto Box to Junction Box	CG, EG, CSH, CSL, Manual Timer Reversing, 3 Phase
M412153	Contacto Box to Junction Box	CSH Manual Timer Reversing, 480 Volt, 60 Hertz, 3 Phase
M403924	Control Panel Harness	All Manual Timer, Nonreversing and Coin
M405814	Control Panel Harness	CE, CSH, CSL, Manual Timer, Reversing
M406545	Control Panel Harness	CE Coin, 480 Volt
M410485	Control Panel Harness	CG, EG, Manual Timer Reversing, 50 Hertz,
M410487	Control Panel Harness	CG, EG, Manual Timer Reversing, 208-240 Volt, 60 Hertz, 3 Phase
M410640	Control Panel Harness	CE, Manual Timer, 480 Volt, 60 Hertz, 3 Phase
M413687	Drive Motor Harness	CG, CE, CSH, CSL, OM, 1 Phase
M413688	Drive Motor Harness	CG, CE, CSH, CSL, OM, 3 Phase
M412107	Drive Motor to Contacto Box	CG, EG, CE, CSH, CSL, Reversing, 50-60 Hertz, 3 Phase
M411980	Fan Motor to Contacto Box	CG, EG, CSH, Manual Timer Reversing, 240 Volt, 50 Hertz, 1 Phase
M413685	Fan Motor to Contacto Box	CG, CE, CSH, CSL, OM, 120 Volt, 60 Hertz, 1 Phase 240 Volt, 50 Hertz, 1 Phase
M413686	Fan Motor to Contacto Box	CG, CE, CSH, CSL, OM, 3 Phase
M413755	Fan Motor to Contacto Box	CG, CE, CSH, CSL, OM, 1 Phase
M409488	Fan Motor to Junction Box	EG, CE, Manual Timer Reversing, Nonreversing
M409489	Fan Motor to Junction Box	EG, Coin, 208-240 Volt, 60 Hertz, 1 Phase
M409490	Fan Motor to Junction Box	CG, CSH, CSL Coin, Manual Timer, 2 Wire, 1 Phase
M409491	Fan Motor to Junction Box	CG, Coin and Manual Timer, 208-240 Volt, 60 Hertz, 1 Phase
M409982	Fan Motor to Junction Box	CE, Coin 415 Volt, 50 Hertz, 3 Phase
M411827	Fan Motor to Junction Box	EG, CE, Coin and Manual Timer 3 Phase
M411828	Fan Motor to Junction Box	EG, Manual Timer 208-240 Volt, 60 Hertz, 3 Phase
M411829	Fan Motor to Junction Box	CG, CSH, CSL, Coin & Manual Timer Rev/nonrev.
M405372	Front Control Box to Rear Junction Box	CG & EG, Manual Timer 50 Hertz,
M405386	Front Control Box to Rear Junction Box	CE, Manual Timer 50 Hertz, and 208/240 Volt, 60 Hertz, 3 Phase
M405871	Front Control Box to Rear Junction Box	Coin Models
M405872	Front Control Box to Rear Junction Box	CE, CSH, CSL, Manual Timer 50 Hertz, 208/240 Volt, 60 Hertz

Wire Harness Table (Continued)

PART	FUNCTION	COMMENTS
M405873	Front Control Box to Rear Junction Box	CE, Coin and 480 Volt Manual Timer
M409199	Front Control Box to Rear Junction Box	CG, EG, Manual Timer 120/208/240 Volt, 50-60 Hertz
M410486	Front Control Box to Rear Junction Box	CE, CSH, CSL, Manual Timer Reversing
M410488	Front Control Box to Rear Junction Box	CG, EG, Manual Timer Reversing, 208-240 Volt, 60 Hertz, 3 Phase
M410523	Front Control Box to Rear Junction Box	CSH, Manual Timer, 480 Volt, 60 Hertz, 3 Phase
M411875	Front Control Box to Rear Junction Box	CE, Coin, 415 Volt, 50 Hertz, 3 Phase
M413676	Front Control Box to Rear Junction Box	CG, CE, CSH, CSL, OM, Reversing & Nonreversing
M412997	Gas Valve Harness	CG, OM
M413650	Gas Valve Harness	CG, OM, Reversing & Nonreversing - Australia
M413678	Gas Valve Harness	CG, OM
M412758	Heater to Contactor, 3 Wire, 8 Gauge Cable	CE, MT, Reversing, 3 Phase
M406880	Ignition Control Harness	All Gas Models
M413677	Micro Control Harness	All OM
M413679	Steam Valve Harness	CSH, CSL, OM
M413680	Stove Limit and Fuse Holder to Main Harness	CE, OM
M413550	Temperature Sensor Cable	CG, CE, CSH, CSL, OM, Reversing
M413559	Temperature Sensor Cable	CG, CE, CSH, CSL, OM, Nonreversing
M413505	Transformer Configuration Harness, 120 Volt	CG, CSH, CSL, OM, 120 Volt, 60 Hertz
M413506	Transformer Configuration Harness, 208 Volt	CG, CE, CSH, CSL, OM, 208 Volt, 60 Hertz
M413507	Transformer Configuration Harness, 240 Volt	CG, CE, CSH, CSL, OM, 240 Volt, 50-60 Hertz
M413508	Transformer Configuration Harness, 380 Volt	CG, CE, CSH, CSL, OM, 380 Volt, 50 Hertz
M413509	Transformer Configuration Harness, 415 Volt	CG, CE, CSH, CSL, OM, 415 Volt, 50 Hertz
M413510	Transformer Configuration Harness, 480 Volt	CG, CE, CSH, CSL, OM, 480 Volt, 60 Hertz

Control Panel Table

PART NO.	DESCRIPTION	USAGE	MODEL
M402338	Control Panel with Controls (Aluminum)	CG, EG, Coin, 120 Volt, Control Circuit	JT
M402346	Control Panel with Controls (Aluminum)	CG, EG, Manual Timer, 120 Volt, Control Circuit	JT
M402390	Control Panel with Controls (Aluminum)	CE, Manual Timer, 208-240 Volt, 60 Hertz	JT
M402676	Control Panel with End Caps (Aluminum)	Coin	JT
M402677	Control Panel with End Caps (Aluminum)	Manual Timer	JT
M402678	Control Panel with End Caps (Aluminum)	Coin	OEM
M410412	Control Panel with End Caps (Black)	Manual Timer	ST
M410414	Control Panel with End Caps (Black)	Coin	ST
M410678	Control Panel with Controls (Black)	CG, EG, Manual Timer 120 Volt	ST
M410680	Control Panel with Controls (Aluminum)	CG, EG, Manual Timer, 240 Volt, 50 Hertz	JT
M410837	Control Panel with Controls (Black)	CG, EG, Coin 120 Volt	ST
M410838	Control Panel with Controls (Black)	CG, EG, Manual Timer 120 Volt	ST
M410839	Control Panel with Controls (Black)	CE, Manual Timer, 208-240 Volt, 60 Hertz	ST
M410840	Control Panel with Controls (Black)	CSH, CSL, Manual Timer, 120 Volt	ST
M410841	Control Panel with Controls (Black)	CSH, CSL, Manual Timer, 208-240 Volt, 60 Hertz	ST
M410842	Control Panel with Controls (Black)	CE, Manual Timer, 480 Volt, 60 Hertz 3 Phase	ST
M411015	Control Panel with End Caps (Cocoa)	Manual Timer	JT
M411016	Control Panel with Controls (Cocoa)	CG, EG, Manual Timer, 240 Volt, 50 Hertz	JT
M411017	Control Panel with Controls (Cocoa)	CD, EG, Manual Timer, 120 Volt, 60 Hertz	JT
M411018	Control Panel with Controls (Cocoa)	CE, Manual Timer, 480 Volt, 60 Hertz, 3 Phase	JT
M411019	Control Panel with Controls (Cocoa)	CE, Manual Timer, 208-240 Volt, 60 Hertz	JT
M411020	Control Panel with Controls (Cocoa)	CSH, CSL, Manual Timer, 120 Volt, 60 Hertz	JT
M411021	Control Panel with Controls (Cocoa)	CSH, CSL, Manual Timer, 208-240 Volt, 60 Hertz	JT
M411037	Control Panel with End Caps (Cocoa)	Coin	JT
M411038	Control Panel with Controls (Cocoa)	CG, EG, Coin, 120 Volt, 60 Hertz	JT
M411040	Control Panel with Controls (Cocoa)	CE, Coin, 208-240 Volt, 60 Hertz	JT
M411146	Control Panel with Controls (Black)	CG, EG, Manual Timer, Reversing, 208-240 Volt	ST
M411147	Control Panel with Controls (Cocoa)	CG, EG, Manual Timer, Reversing, 208-240 Volt	JT
M411148	Control Panel with Controls (Black)	CE, Manual Timer, 208-240 Volt, Reversing	ST
M411149	Control Panel with Controls (Cocoa)	CE, Manual Timer, 208-240 Volt, Reversing	JT
M411150	Control Panel with Controls (Black)	CSH, CSL, Manual Timer, 208-240 Volt, Reversing	ST
M411151	Control Panel with Controls (Cocoa)	CSH, CSL, Manual Timer, 208-240 Volt, Reversing	JT
M411152	Control Panel with Controls (Black)	CE, Manual Timer, 480 Volt, Reversing	ST
M411153	Control Panel with Controls (Cocoa)	CE, Manual Timer, 480 Volt, Reversing	JT
M411154	Control Panel with End Caps (Black)	All Manual Timer, Reversing	ST
M411155	Control Panel with End Caps (Cocoa)	Manual Timer, Reversing	JT
M411642	Control Panel with End Caps (Aluminum)	Manual Timer, Reversing	OEM
M413315	Control Panel with End Caps (Black)	Manual Timer	DT
M413316	Control Panel with End Caps (Black)	Manual Timer, Reversing	DT
M413322	Control Panel with End Caps (Black)-icon	Manual Timer	DT
M413323	Control Panel with End Caps (Black)-icon	Manual Timer, Reversing	DT

Coin Drop Table

PART NO.	DESCRIPTION
M402508-12	Coinmeter, South Africa - .20/10 Minutes
M402508-14	Coinmeter, Japan - 100 yen/10 Minutes
M402508-21	Coinmeter, Australia - .20/5 Minutes
M402508-24	Coinmeter, French - 2 Newfranc/10
M402508-27	Coinmeter, South Africa - .50/15 Minutes
M402508-31	Coinmeter, token - std - 118 - 5/10
M402508-32	Coinmeter, token - std - 118 - 5
M402508-34	Coinmeter, Danish - krone/5 Minutes
M402508-36	Coinmeter, Token - std - 118 - 1
M402508-37	Coinmeter, Australia - \$1/15 Minutes
M402508-5	Coinmeter, Token - std - 118 - 1/15
M405138	Coinmeter, .25 - U.S.A.- 10 Minutes 120/60

Parts Index

A

Acorn Nut	
M400645	23
M412626	35, 39
Adjusting Bolt	
M413565	49
Adjusting Clip	
M400976	69
Air Flow Switch	
M400944	69
Air Flow Vane Assembly	
M400541	69
Anti Torque Ring	
M400605	51, 55, 57, 61, 65
Assembly, Coin Vault For Long Drawer	
M412085L	19
Assembly, Coin Vault For Short Drawer	
M400495L	19
Assembly, Cylinder Motor Bracket - Hinged	
M413617	35, 49
Assembly, Front Panel	
M410758*	21
M410760	21
M411119	21
M411129*	21

B

Barrel Clip	
M400972	19
Barrier	
M400712	69
Battery	
M410826	13
Bearing	
M400592	31
M401375	33, 37
430038	41
Bearing Retainer	
M401370	33, 37
Belt	
M401182	31, 39
M411814	33
Belt Guard	
M400518	43
M413008	45
Belt, Cylinder	
M412090	35
Belt, Drive	
M412981	35
Blue Wire	
M402824	59
M402825	59
M404868	63
Bolt	
M400057	43, 49
M400061	31, 33, 39
M400063	29
M401393	43

M405525	31
M412119	41
M412475	31
20255	35
20259	33
27202	47
430648	35, 41
Bracket	
M400341	7
M400838	57, 61, 65
M401318	11
M402798	51, 55
M406936	65
Bracket, Fan Motor	
M411483	35
Bumper	
M400543	25
M410784	25
M410845	25
Burner Orifice	
See Table on Page 94	
Bushing For Trunnion Sprocket	
M403432	29
Bushing With Screws	
M412086	35
M412885	35
M412917	35
Buss Bar	
M400866	71, 73
M400869	71, 73

C

Cam & Screw For Handle	
M400595	25
Chain Connecting Link	
M400903	33
M401360	31
Chain Guard	
M409350	31
M411467	31
Clamp	
M411231	13
Clip	
M400402	23
M400974	93
M400975	21
M400977	69
M400984	21
Coil	
M400914	75
M400915	77
Coin Chute	
M411882	19
Coin Drawer	
M402582*	19
M411890*	19
Coin Drop	
M402508-12	100
M402508-14	100
M402508-21	100
M402508-24	100

M402508-27	100
M402508-31	100
M402508-32	100
M402508-34	100
M402508-36	100
M402508-37	100
M402508-5	100
M405138	100
Compression Nut	
M400926	55
Compression Sleeve	
M400925	55
Contactors	
M413614	81, 83, 87
M413616	89
Control Panel	
M402338	99
M402346	99
M402390	99
M402676	99
M402677	99
M402678	99
M410412	99
M410414	99
M410678	99
M410680	99
M410837	99
M410838	99
M410839	99
M410840	99
M410841	99
M410842	99
M411015	99
M411016	99
M411017	99
M411018	99
M411019	99
M411020	99
M411021	99
M411037	99
M411038	99
M411040	99
M411146	99
M411147	99
M411148	99
M411149	99
M411150	99
M411151	99
M411152	99
M411153	99
M411154	99
M411155	99
M411642	99
M413315	99
M413316	99
M413322	99
M413323	99
See Table on Page 97	
Control, Microprocessor	
M410786P	13
M413498P	15
Cooling Timer	
M410900P	11
M410902P	11
Counterweight	
M400822	69
Cover	
M412098	75, 77

Cover For M412315 Hood	
M412316	73
Cylinder and Trunnion Assembly	
M400450	27
M401979	27
M404816	27
M405366	27
Cylinder Assembly	
M400439	27
M400440	27
M405009	27
M405365	27
Cylinder Drive Motor	
See Table on Page 92	

D

Deflector Shield	
M402746	57
Din Rail For Terminal Block	
M412106	75
Diode Logic Board	
M405897	17
Disc	
M400253	69
Door Assembly	
M400447	23
M410887	23
430475	23
Door Catch	
M401223	23
Door Glass	
M400784	23
M410885P	23
Door Glass Seal	
M400962	23
Door Handle	
M400133	23
M410918	23
430117	23
Door Hinge	
M400514	23
M402714*	23
Door Rim Seal	
M406129	23
Door Strike Screw	
M400661	23
Drive Chain	
M400597	33
M401425	31
Drive Guard	
M411467	35
M413627	35
Drive Rivet	
M400713	21
Drive Sheave	
M400147	33
Drive Sprocket	
M401364	33
M401365	31
Drying Timer	
M410901P	11
M410903P	11

E

Electronic Pilot Control	
M410011	55
M4385P3	55
Element Connector Wire	
M412287	73
End Cap	
M400681	75
M401328	7, 11

F

Fan	
M400086P	43
M410088P	43
Fan Cover Plate	
M401362	43
Fan Motor	
See Table on 92	
Felt Pad	
M402144	27
Ferrite Core	
M413930	79, 81, 83, 85, 87, 89
Flame Sensor	
M401209	55
56231	57, 61
Flat Washer	
M400080	49
03189	23
Fork, Timing Cam	
M400754	9
Fuse	
M413118	79, 81, 83, 85, 87
M413621	81, 87
M414104	15
Fuse Holder	
M413544	81, 87
91024	79, 81, 83, 85, 87

G

Gas Burner Orifice	
M400918	96
M400997	96
M400998	96
M400999	96
M401001	96
M401003	96
M401011	96
M401014	96
M401016	96
M401017	96
M401018	96
M401019	96
M401021	96
M401027	96
M402444	96
M402598	96
M402701	96
Gas Valve	
M401224	55
M401225P	55

M401228	51
M401229	51
M401230	51
M401231	51
M402750	57
M403151	57
M405898	61
M405935	61
M409152	65
M409153	65
M409517	65
M409561	65

Gas Valve Bracket	
M400823	51, 55, 57, 61
M405945	65
M406814	65

Gas Valve Coil	
M400331	53
M406217	53, 59

Gasket	
M400798	53, 59

Gasket For Main Coil	67
Ground Lug	
M411283	75, 89

Ground Plug	
M411283	77

Ground Screw	
M402917	7, 11, 77, 79, 81, 83, 85, 87, 89

Ground Wire	
M412645	15

Guard	
M410544	69

Guide Rail	
M412476	31, 33, 35, 39

H

Handle and Cam Assembly	
M410243	25

Harness, Control	
M411073	13
M411076	13
M411182	13
M413677	15

Harness, Sensor Cable	
M413550	15
M413559	15

Harness, Temperature Sensor	
M410708	13

Heater Contactor	
M400905	75
M405116	75

Heater Element	
M405253	71
M405254	71
M405255	71
M405256	71
M410939	71, 73
M410940	71, 73
M410941	71, 73
M412955	73

Heater Wire	
M401281	71
M403743	71

High Limit Thermostat	
M405943	71
M410220	73
High Limit Thermostat Kit	
M4347P3	71
Hinge Bolt	
M400653	23
Hinge Bracket	
431000*	21
431044	21
Hinge, Female	
M411390	13
Hood For Heater Wires	
M412315	73

I

Idler Arm	
M411844	41
Idler Housing	
M412103	41
M412612	37
Idler Housing Assembly	
M412228P	41
M412630P	37
Idler Housing With Bearings and Guide Rails	
M412229P	31
Idler Housing With Bearings and Rails	
M412612	33
Idler Shaft	
M401371	33
M412223	31, 41
M414241	37
Idler Sprocket	
M401369	31
Idler Support Plate	
M414405	35, 39
Idler Wheel	
430619	41
Igniter	
M406934	65
55438	57, 61
Igniter Bracket	
M402745	57, 61
Igniter Cable	
M406881	65
Igniter Kit	
M4337P3	55
M4338P3	55
Ignition Control	
M406789	65
Ignition Harness	
M410599	65
Inner Trunnion Bearing	
M413924	29

J

Jamnut	
M400022	43
M400033	29, 39
02428	49

Jumper Cable	
M413933	89
M413934	89
Jumper Harness	
M413883	89
Jumper Wire - Stove High Limit	
M409377	73

K

Key	
M400008	39
M400993	31, 37, 45
M401327	31, 33, 37, 39
M405232	29
Key For Coin Drawer Locks	
M401701	19
Key for Fan	
M400994	43
Key For Lock	
M401680	25
Key For Panel Lock H MV10	
M401680	21
Key for Pulley	
M400993	43
Key, Half Moon	
M400008	27
Key, Straight	
M405232	27
Kickplate	
M400593P	25
Kit, Main Burner Replacement	
M4448P3	51, 55, 57
Knob, Temperature	
M400777	17
M410928	17

L

Left Motor Bracket	
M413006	47
Lever	
M400753	69
Light	
M400703	11
M400704	11
M404151	7
M404852	7
Lint Hood Assembly	
M400515	25
Lint Panel	
M410670*	25
M410671	25
Lint Screen and Frame	
M400522	25
Lock and Key	
M404101	25
Lock and Key H MV10	
M404101	21
Lock For Long Coin Drawer	
M412004	19

Lock For Short Coin Drawer	
M401581	19
Locknut	
M400013	35
Lockwasher	
M400013	27, 31, 43, 45, 47
M400014	31, 33, 43
M403958	35, 39
M412188	35, 39
02834	49
03815	23, 55, 57
91093	23
91200	27, 29

M

Mail Coil	
M405430	63
M411134	67
Main Burner Replacement Kit	
M4448P3	55
Main Drive Guard39	
M409399	33
M413627	33
Main Gas Burner	
M405919	61, 65
M410541	61, 65
Manifold	
M403163	51
Manifold Pipe	
M406681	51, 55, 57, 61, 65
Micro V Belt	
M411425	39
Micro V Pulley	
M411466	41
Micro V Sheave	
M412156	39
Motor Bracket	
M411483	39
Motor Bracket Side - Left	
M400520	45
Motor Bracket Side - Right	
M400521	45
Motor Hardware Kit	
M4426P3	43
Motor Mounting Bracket	
M411483	43
Motor Mounting Bracket, Hinged	
M413617	45
Motor Mounting Plate	
M401519	45
M413005	47
Motor Mounting Ring	
M405419	43
M4525P3	43
Motor Pulley	
M400146	45, 49
M402718	43
M403463	43
Mounting Bracket	
M402594	55
Mounting Plate	
M410800	13
M413397	13

M413439

M413427	15
M40935039	
M411467	
Main Drive Guard	39

N

Network Capacitor Assembly	
M413863	79, 81, 83, 85, 87
Nipple	
M401550	51, 55, 57, 61, 65
Nut	
M400026	31, 33, 35, 39
M401548	51, 55, 57, 61, 65
M401549	51, 55, 57, 61, 65
M401930	27
M404993	27, 35, 39
Q6163	23, 71, 73
02428	43, 45
02788	17
20274	29
20275	23
23951	79, 81, 83, 85, 87
52566	41
56156	41
70054	15
70142	35, 43
Nylon Washer	
M400675	23

O

Outer Trunnion Bearing	
M413923	29
Overlay	
M410854	13
Overlay, Micro Control	
M410682	13
M410704	13
M412961	13
Overlay, Microprocessor	
M413417	15
M413418	15
M413419	15
M413420	15
M413421	15
M413422	15
M413423	15
M413424	15
M413425	15
M413426	15

P

Palnut	
M400034	43
M400035	29, 39
Pilot Burner	
M402591	55
Pilot Filter	
M400965	55
Pilot Orifice	
M400918	51

M402598	55
M402701	55
Q8152	51
Pilot Orifice Nut and Sleeve See Table on Page 94	
Pilot Reset Assembly M400329	53
Plug, Plastic M410665	13, 15
Pop Rivet M400003	23
M405750	7, 11
Power Distribution Block M413864	89
M413865	89
Pulley, Idler M412884	35
Purple Wire M402822	59
M402823	59
M404866	63
Push Nut M400675	7

Q

Quick Connect Drive Motor M412519P	95
M412520P	95
Quick Connect Fan Motor M409438	95
M409439	95
M409735	95
M412225	95
M412227	95
M412516	95
M412517	95
M412518	95

R

Redundant Coil Not Available-Order Complete Valve	63, 67
Relay M400911	11
M400912	11
M402779	17
M410529	13
430746	79, 83, 85
431349	79
502501	79, 85
Repair Kit M400152	93
M401384	93
M411696	93
M411697	93
M412259	93
Resister M400527	7
M410992	11
Resistor M400527	11
Retainer M401301	7, 11

M401302	7, 11
M406297	9
Retainer Ring M400606	51, 55, 57
Reversing Contactor M400906	77
M400907	77
M409744	77
M410505	77
M410515	77
M411269	77
M413615	85, 87
Reversing Timer M401387	77
M410434	77
M411683	77
Rib Rod M400901	27
M401411	27
Right Motor Bracket M413007	47
Rotary Coin Drop See Table on Page 98	
Rubber Strip M400633	25

S

Screw M400044	13, 23, 75, 79, 81, 83, 85, 87
M400057	35, 45
M400065	45
M400071	7, 11, 17, 79, 83, 85
M400072	7, 11, 17
M400073	55
M400650	29
M400655	19
M400664	13, 51, 55, 57, 61, 65, 69, 71
M401902	21
M401938	69
M402595	55
M402797	51, 55, 57, 61, 65
M402917	75
M405188	43, 45, 61, 65
M405824	79, 81, 83, 85, 87
M409385	23, 29, 33
M410059	43
M410799	13
M411052	11
M412105	77
Q6516	17
20255	39
27202	49
32671	89
33562	7, 11, 73
430497	15, 21, 69, 75, 77, 93
430757	25
51778	79, 81, 83, 85, 87
51780	81, 83, 85, 87, 89
56693	57, 61
Sensor M401209	55
Sensor Lead M401210	55
Sensor Wire M402597	55

Setscrew	
M400065	31, 33, 39
M400077	41, 43
62541	31
Setscrews	
62541	33
Shadow Box	
M403414	7
Shadow Box, Coin Drawer With Clips	
M400131P	19
Sheave With Hardware	
M400092P	31, 39
Sheave, Cylinder	
M412916	35
Sheave, Idler	
M412931	35
Shut-Off Valve	
M406455	51
Shutoff Valve	
M406455	55, 57, 61, 65
Sleeve	
M400755	31
Snap Ring	
M400399	31, 39
Solenoid Coil	
M401380	93
M401381	93
M401382	93
M401383	93
M411692	93
M411693	93
M411694	93
M411695	93
M412258	93
M413299	93
M413301	93
M413302	93
M413451	93
Spacer	
M404466	29, 35
Spring	
M400401	33, 37
M402455	9
Spring, Coin Carrier	
M405138A	9
Spring, Extension	
M412120	39
Spring, Return	
M405138B	9
Spud Holder	
M403163	55, 57, 61, 65
M410546	65
Standard Connection Drive Motor	
M412519P	94
M412520P	94
Standard Connection Fan Motor	
M400382	94
M400388	94
M400390	94
M409735	94
M411188	94
M411189	94
M411190	94
M411191	94
M411192	94

Standoff	
M405979	17
Steam Coil	
M400636	93
M400637	93
Steam Heater Complete	
M400455	93
M413572	93
Steam Valve	
M412241	93
M413295	93
M413297	93
M413298	93
M413446	93
Stove High Limit Thermostat	
M401404	55, 65
M409433	51, 57, 61, 65
Supply Pipe	
M400749	51, 55, 57, 61, 65
Support Rod	
M400604	21
Switch	
M400945	11, 13
M401542	77
M413270	13
Switch Box	
M403235	69
Switch Mounting Bracket	
M409202	69
Switch Plate	
M413236	13
Switch Rod	
M400603	23
Switch, Door	
M400952	17
Switch, Heat 'B'	
M400947	9
Switch, Push To Start	
M400954	7, 11
Switch, Run 'A'	
M400001	9

T

Tension Bolt	
M412627	35, 39
Terminal Block	
M400000	7, 11, 17
M400685	75
M405364	79, 81, 83, 85, 87
M412042	75
M412045	75
430642	79, 81, 83, 85, 87
Terminal Strip	
M413542	79, 81, 83, 85, 87
Thermistor	
M411758	25
Thermocouple	
M400934	51
Thermostat, Adjustable	
M400780	17
Thermostat, Cabinet High Limit	
M410542	25
M411813	25

Timer Knob	
M400777	11
M410927	11
Timer Motor	
M400609	9
M400611	9
M410789	9
Timing Cam with Fork	
M400732P	9
M400733P	9
M400734P	9
M400735P	9
M400736P	9
M400737P	9
M400738P	9
M400739P	9
M400740P	9
M400741P	9
Top Access Panel	
M400842	21
M410801*	21
M410802	21
M414349*	21
Top Cover	
M400828	93
M401306	21
Transformer	
M401199	17
M401391	17, 75, 77
M402649	17
M402650	17
M414041	65
M414228	79, 81, 83, 85, 87
M414229	81, 87
Trunnion Housing Assembly	
M413832	29
Trunnion Housing Casting	
M413826	29
Trunnion Shaft	
M4638P3	27
M4639P3	27
Trunnion Sprocket	
M400090P	29
Trunnion Sprocket With Key	
M403433	29
Twin Speed Nut	
M400979	69
M400981	17

U

Upper Belt Guard	
M413541	33, 35

W

Washer	
M400014	35, 39
M400080	31, 35, 39, 43, 45, 47
M400081	31, 33
M400991	43
M401946	29
M401947	27
M405535	41

20103	29
Wire	
M400337	53
M400338	53
Wire - Heater To Contactor	
M401281	73
Wire Guard	
M401159	71
Wire Harness	
M401286	51
M401909	97
M403824	51, 57, 61, 65, 97
M403924	97
M405372	97
M405380	97
M405386	97
M405814	97
M405823	57, 61, 65, 97
M405871	97
M405872	97
M405873	98
M406545	97
M406880	98
M409199	98
M409488	97
M409489	97
M409490	97
M409491	97
M409982	97
M410485	97
M410486	98
M410487	97
M410488	98
M410523	98
M410640	97
M411794	97
M411827	97
M411828	97
M411829	97
M411875	98
M411980	97
M412107	97
M412108	97
M412109	97
M412111	97
M412145	97
M412146	97
M412153	97
M412609	97
M412758	98
M412997	98
M413168	97
M413505	98
M413506	98
M413507	98
M413508	98
M413509	98
M413510	98
M413550	98
M413559	98
M413650	98
M413676	98
M413677	98
M413678	98
M413679	98
M413680	98
M413681	97
M413682	97
M413683	97

M413684	97
M413685	97
M413686	97
M413687	97
M413688	97
M413689	97
M413690	97
M413696	89, 97
M413754	97
M413755	97
M413824	97
M413878	97
M413883	97
M413932	89, 97
Wire Harness - Heater To Contactor	
M412758	73