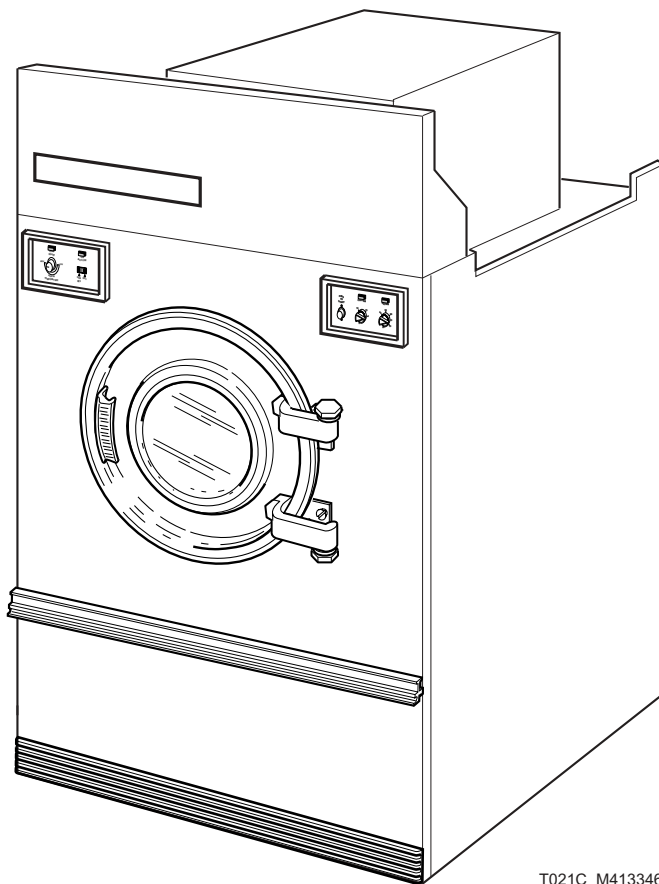


Drying Tumblers

170 Pound Capacity
Refer to Page 3 for Model Numbers



T021C_M413346

Table of Contents

Title	Page
Parts Ordering Information.....	2
Serial Plate Location	2
Model Identification	3
Dual Timer Controls — Manual Timer Models.....	4
Temperature Controls — Manual Timer Models.....	6
OPL Micro Control	8
OPL Micro Control	10
Access and Lint Panels.....	12
Front Panel	14
Door Assembly.....	16
Lint Screen and Drive Guard	18
Drive Sheave, Step Pulley and Belts	20
Trunnion Bearings.....	22
Cylinder Drive Motor	24
Fan Motor Assembly	26
Fan Assembly	28
Fan Assembly	30
Exhaust System Components.....	32
Cylinder and Trunnion Shaft	34
Gas Burner Unit	36
Steam Heating Unit.....	38
Contactator Box	40
Contactator Box	42
Airflow Switch Assembly	44
Wire Harnesses	46
Wire Harnesses	46
Parts Index.....	47

© Copyright 2003, Alliance Laundry Systems LLC

All rights reserved. No part of the contents of this book may be reproduced or transmitted in any form or by any means without the expressed written consent of the publisher.

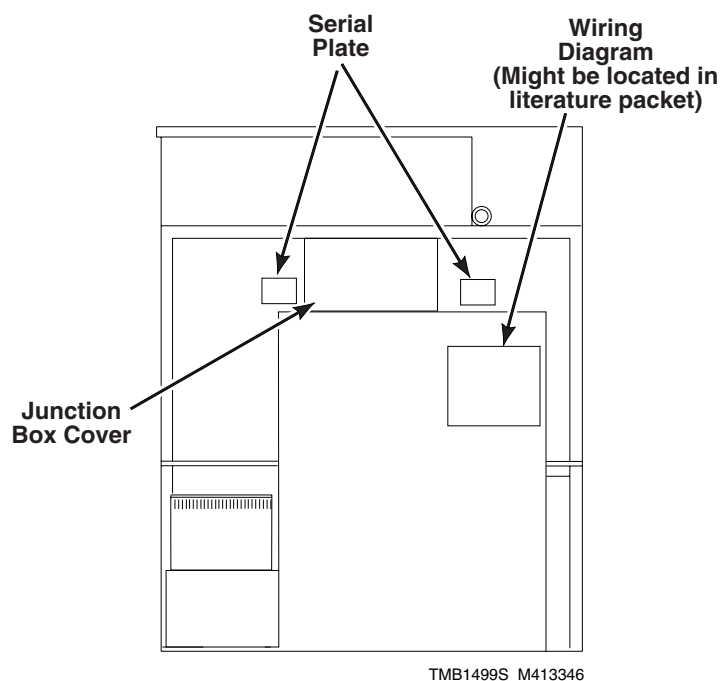
Parts Ordering Information

If literature or replacement parts are required, contact the source from whom the machine was purchased or contact Alliance Laundry Systems at (920) 748-3950 for the name and address of the nearest authorized parts distributor.

For technical assistance, call (920) 748-3121.

Serial Plate Location

When calling or writing about your product, be sure to mention model and serial numbers. Model and serial numbers are located on serial plate as shown.



Model Identification

Information in this manual is applicable to these tumbler models:

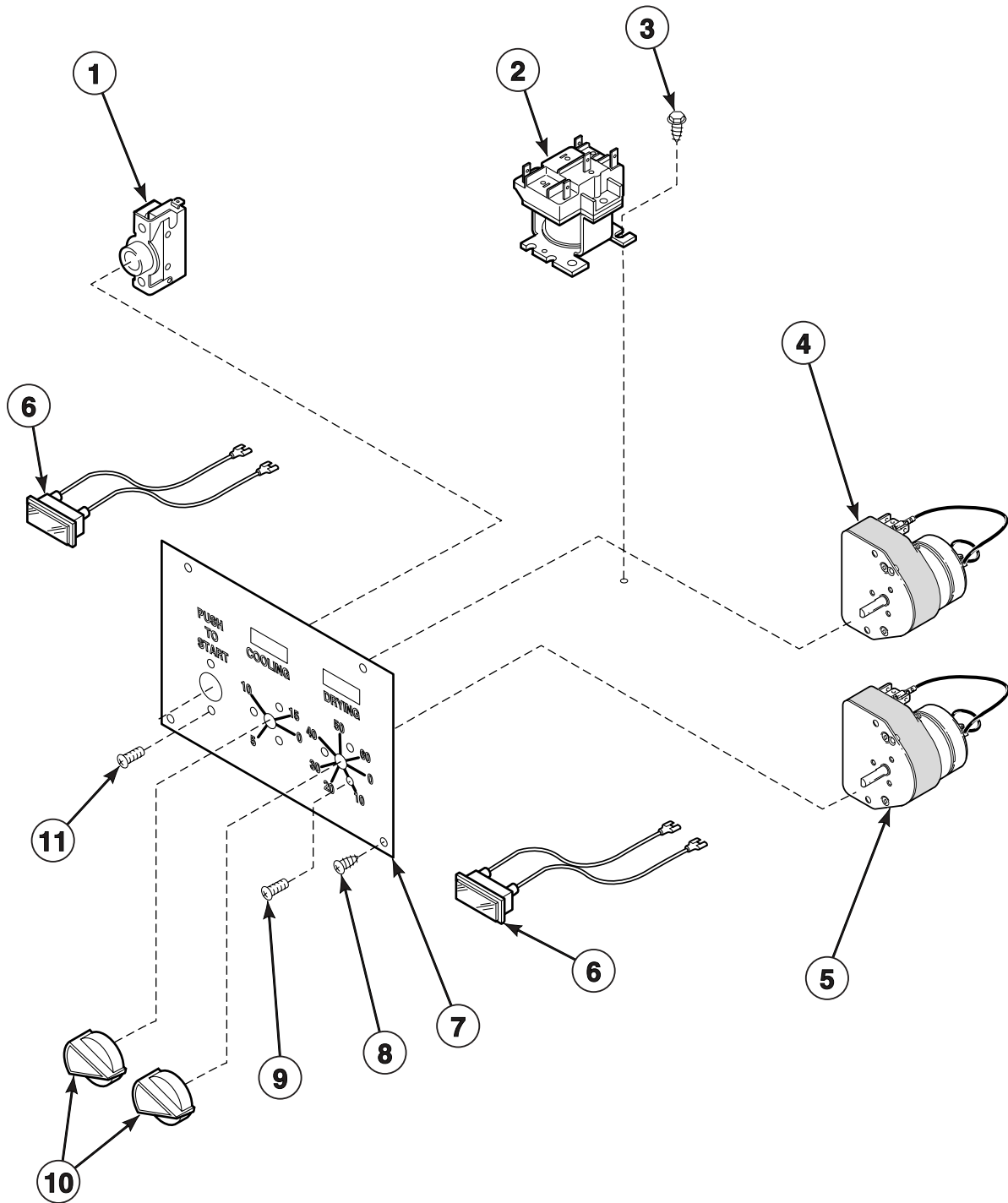
AT170CSH
AT170FG

DC170CSH
DC170FG
DT170CSH
DT170FG

JC170CSH
JC170FG
JT170CSH
JT170FG

SC170CSH
SC170FG
ST170CSH
ST170FG

Dual Timer Controls — Manual Timer Models

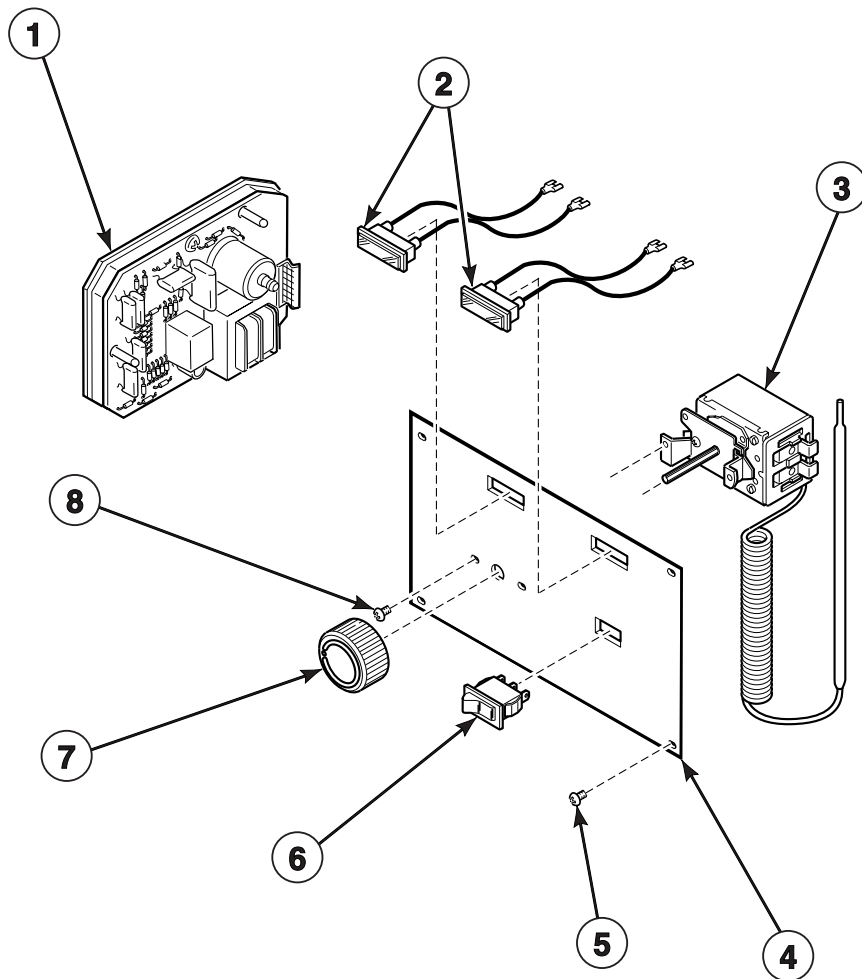


T239PZ3A_M413346

Dual Timer Controls — Manual Timer Models

REF	PART NO.	DESCRIPTION	COMMENTS
1	M400954	Push-to-Start Switch	
2	M400912	Relay	60 Hertz
	M400911	Relay	50 Hertz
3	51780	Screw	
4	M410900P	Cooling Timer	60 Hertz; 15 minutes
	M410902P	Cooling Timer	50 Hertz; 15 minutes
5	M410901P	Drying Timer	60 Hertz; 60 minutes
	M410903P	Drying Timer	50 Hertz; 60 minutes
6	M400703	Light	60 Hertz
	M400704	Light	50 Hertz
7	M412964	Graphic Panel	DT Models
	M411577	Graphic Panel	JT Models
	M411575	Graphic Panel	AT and ST Models
8	M401902	Screw	
9	M411052	Screw	
10	M400773	Timer Knob	AT, DT and ST Models
	M410927	Timer Knob	JT Models
11	M400072	Screw	

Temperature Controls — Manual Timer Models



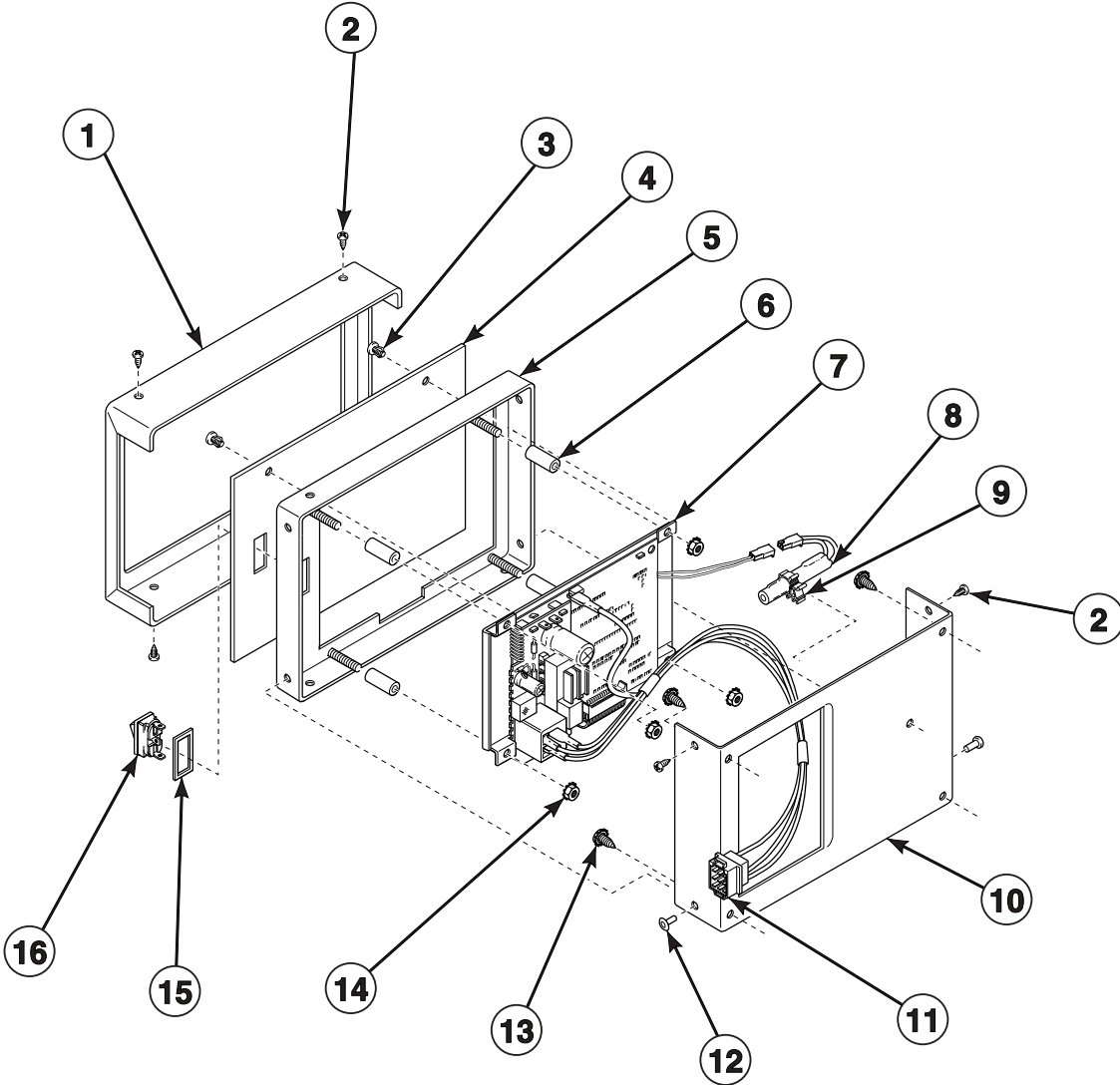
T234PZ3C_M413346

Temperature Controls — Manual Timer Models

REF	PART NO.	DESCRIPTION	COMMENTS
	91024P	Fuse Holder	
	M413118	Fuse	2 Amp
	500823	Buzzer	60 Hertz
	500730	Buzzer	50 Hertz
	M405363	Terminal Block	
1	M406789P	Instant Electronic Ignition Control	60 Hertz
	M411282	Instant Electronic Ignition Control	50 Hertz
2	M400703	Light	60 Hertz
	M400704	Light	50 Hertz
3	M411333P	Thermostat	
4	M412965	Graphics Panel	DT Models
	M411574	Graphics Panel	JT Models
	M411572	Graphics Panel	AT and ST Models
5	M401902	Screw	
6	M413270	Reversing/Nonreversing Switch	
7	M411344	Temperature Knob	AT, DT and ST Models
	M411345	Temperature Knob	JT Models
8	M400072	Screw	

OPL Micro Control

MM Models



T331PZ3E_M413346

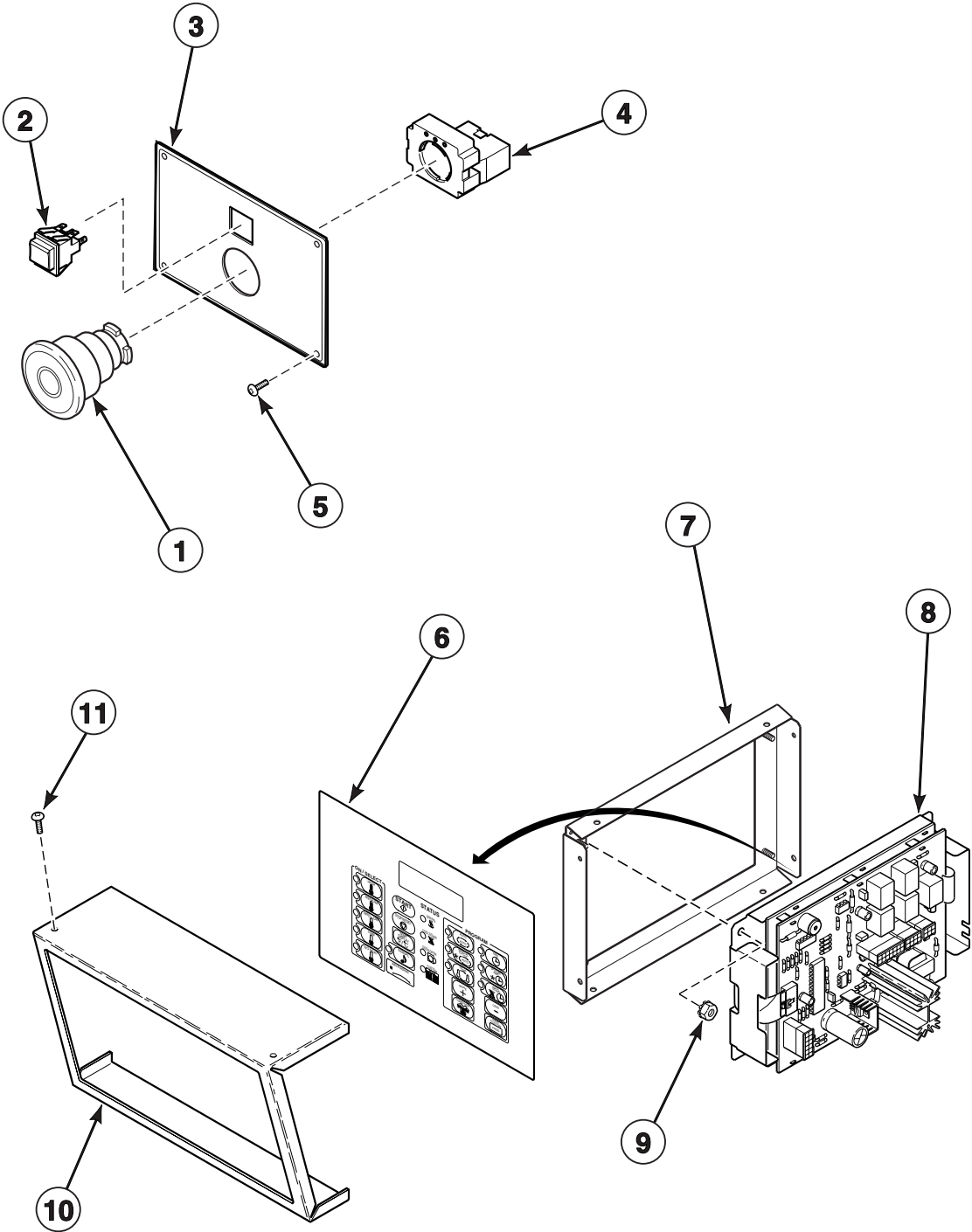
OPL Micro Control

REF	PART NO.	DESCRIPTION	COMMENTS
1	M413089*	Face Plate	
2	M400664	Screw	
3	M410665	Hole Plug	
4	M412961	Overlay	DT Models
	M410682	Overlay	ST Models
	M410704	Overlay	JT Models
5	M413094	Micro-Mounting Plate	
6	M413252	Spacer	
7	M410786P	Control	
8	M410826	Battery	
9	M411231	Clamp	
10	M413091*	Mounting Plate	
11	M413146	Harness	
12	M400713	Rivet	
13	M401902	Screw	
14	70054	Nut	
15	M413236	Switch Plate	
16	M413270	Switch	

* Add Letter To Designate Color. B - Battina Green H - Harvest Gold K - Red L - Almond P - Turquoise V - Orange
W - White X - Electric Blue

OPL Micro Control

OM Models



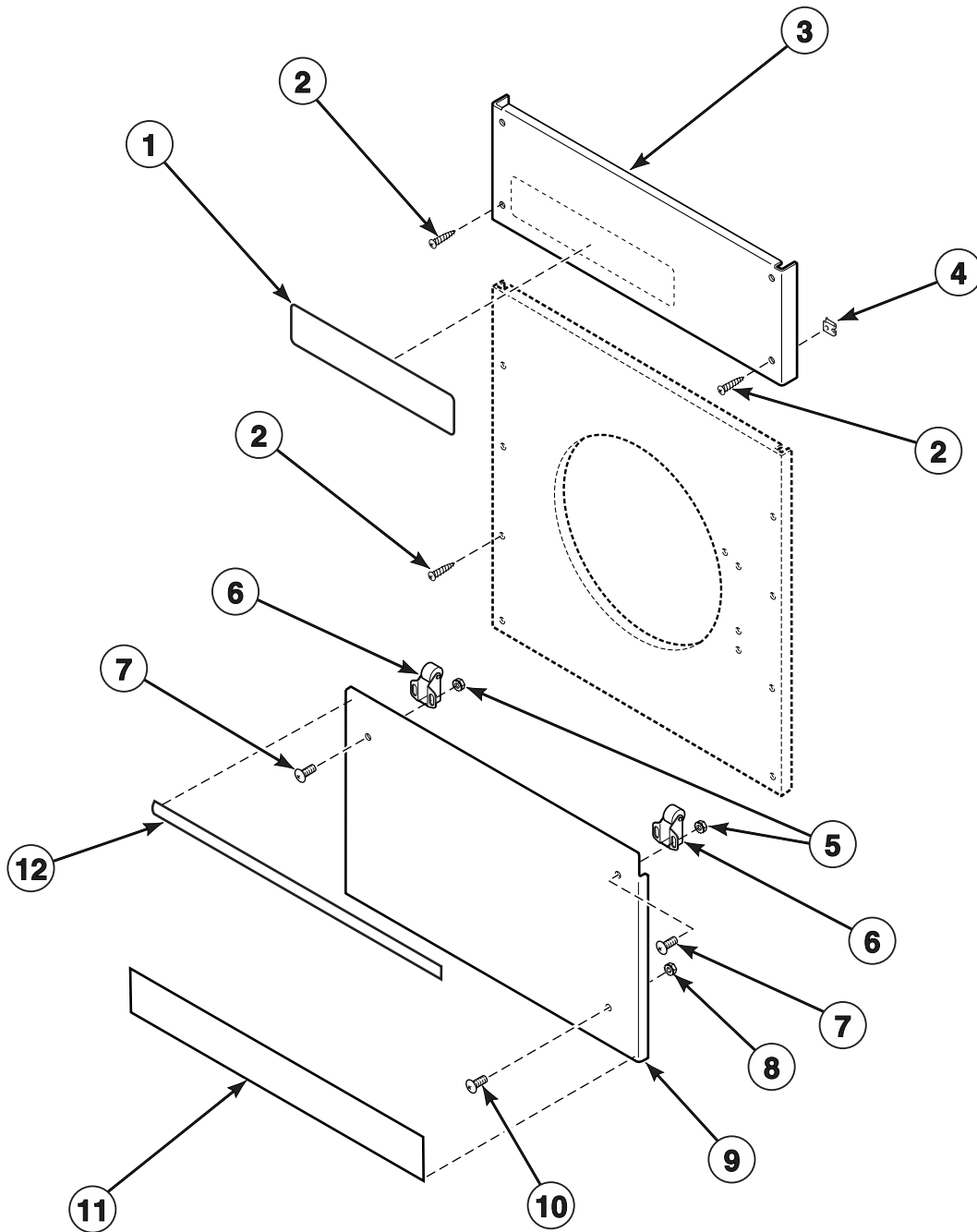
TMB1326P_M413346

OPL Micro Control

REF	PART NO.	DESCRIPTION	COMMENTS
1	M412232	Emergency Stop Button	DC, JC and SC Models
2	M413431	Ignition Reset Switch	DC, JC and SC Models; Gas
3	M414245	Emergency Stop Graphic Panel	DC and SC Models; Gas
	M414245R	Emergency Stop Graphic Panel	DC and SC Models; Steam
	M414246	Emergency Stop Graphic Panel	JC Models; Gas
	M414246R	Emergency Stop Graphic Panel	JC Models; Steam
4	M412231	Contact Block	DC, JC and SC Models
5	M401902	Screw	
6	M413418	Graphic Panel	AT and ST Models
	M413420	Graphic Panel	DC and SC Models
	M413422	Graphic Panel	JT Models
	M413424	Graphic Panel	JC Models
	M413426	Graphic Panel	DT Models
7	M413804	Mounting Plate	
8	70228401P	Control	
9	70054	Nut	
10	M413793*	Face Plate	
11	M400664	Screw	

* Add Letter To Designate Color. B - Battina Green H - Harvest Gold K - Red L - Almond P - Turquoise V - Orange
W - White X - Electric Blue

Access and Lint Panels



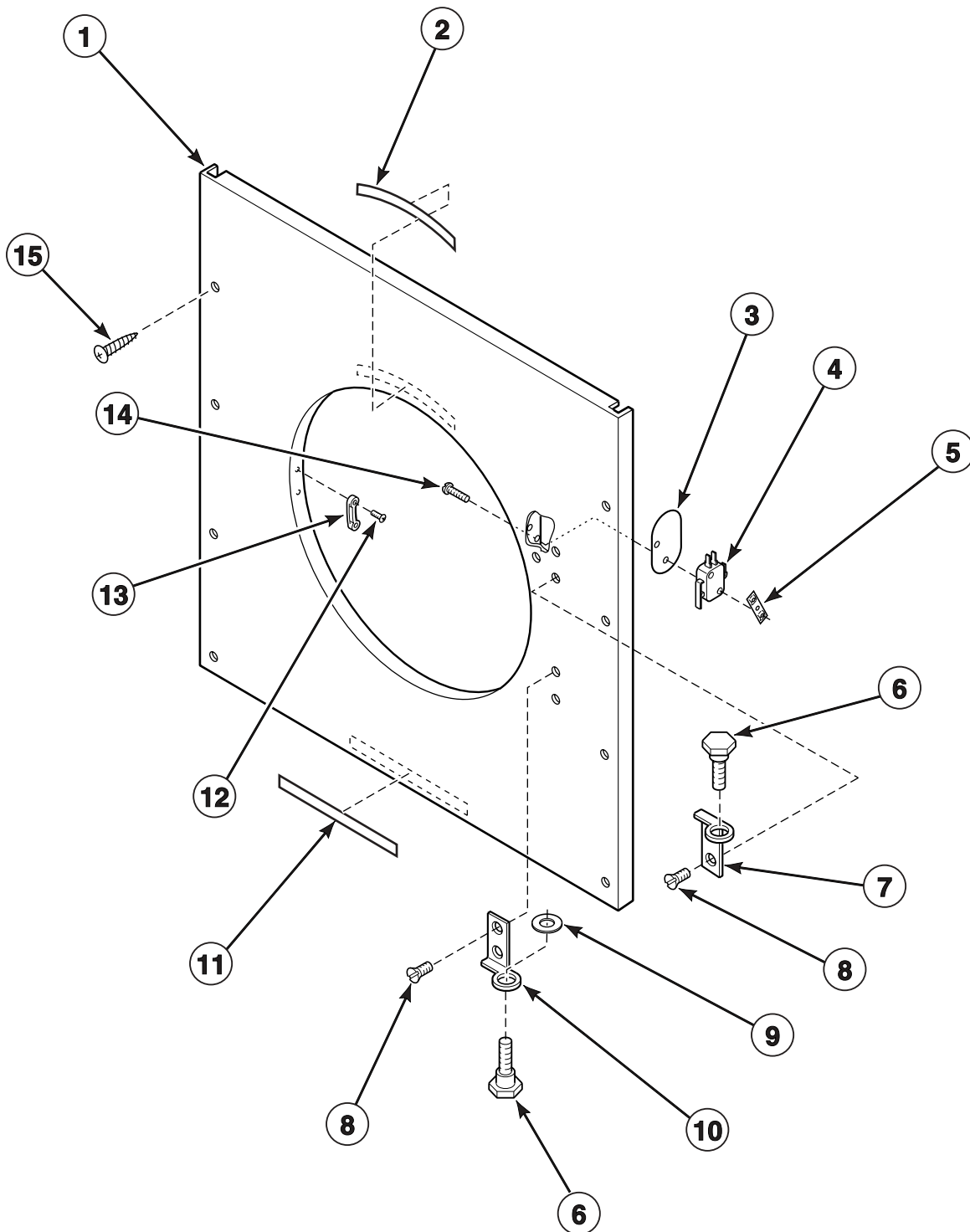
TMB1729P_M413346

Access and Lint Panels

REF	PART NO.	DESCRIPTION	COMMENTS
	M411543	Lint Panel Clip	2 required
	430757	Screw	6 required; Not included with Item 12
1	M412963	Nameplate	DC and DT Models
	M411563	Nameplate	JC and JT Models
	M410355	Nameplate	SC and ST Models
	70240901	Nameplate	AT Models
2	M411267	Screw	
3	M412950*	Top Access Panel	Painted
	M412951	Top Access Panel	Stainless Steel
4	H8841927H	U-Clip	Speed nut
5	23951	Nut	
6	H87020202	Roller Catch with Strike	
7	M400044	Screw	
8	23951	Nut	
9	M411455*	Lint Panel	Painted
	M411456	Lint Panel	Stainless Steel
10	M414504	Screw	
11	M414440	Kickplate	
12	M411560	Bumper	Black; Does not include (6) 430757 Screws
	M411561	Bumper	Cocoa; Does not include (6) 430757 Screws

* Add Letter To Designate Color. **B** - Battina Green **H** - Harvest Gold **K** - Red **L** - Almond **P** - Turquoise **V** - Orange
W - White **X** - Electric Blue

Front Panel



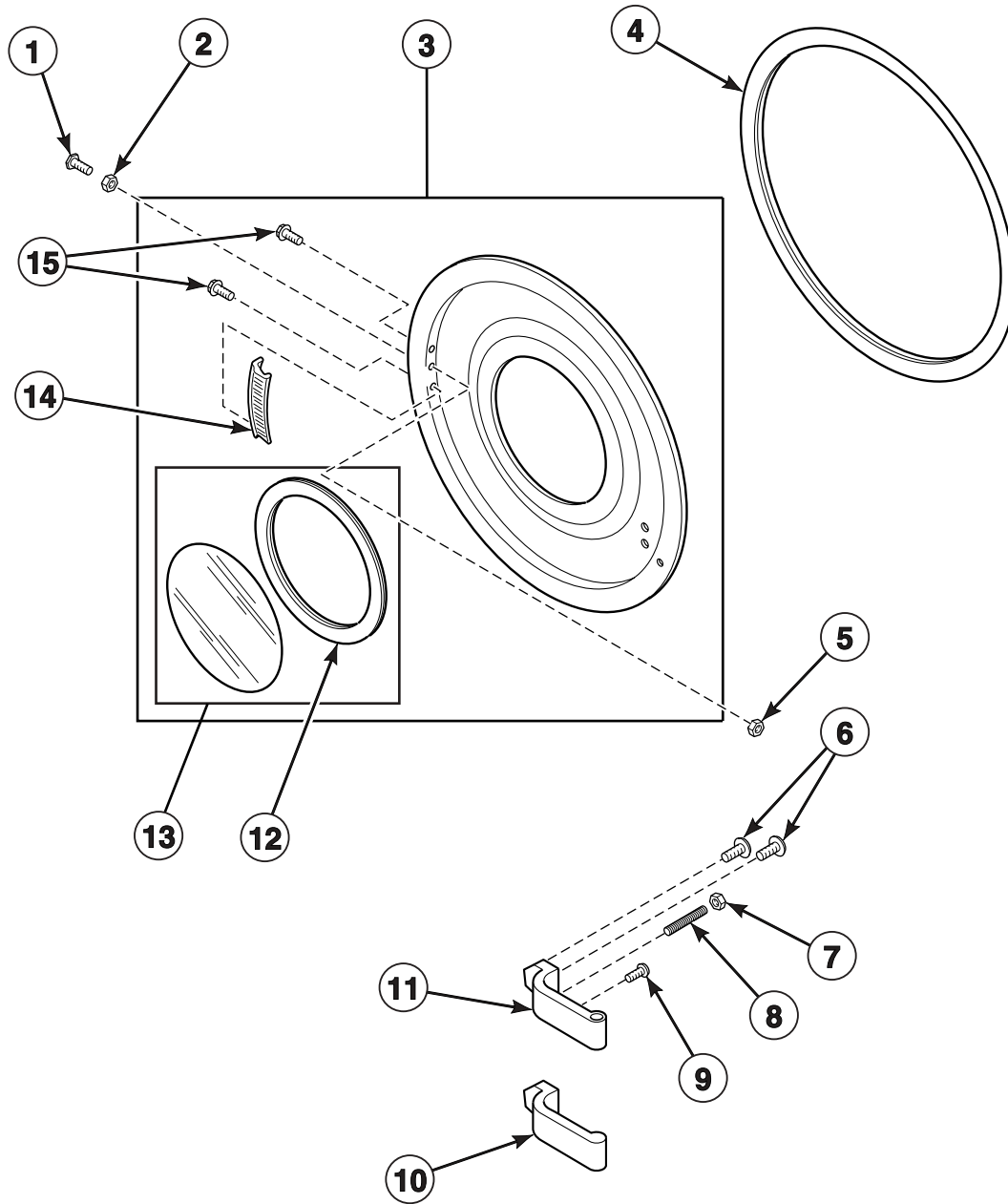
TMB1730P_M413346

Front Panel

REF	PART NO.	DESCRIPTION	COMMENTS
	M412551	Door Switch Coupler	DC, JC and SC Models
1	M412948*	Front Panel	Painted; AT, DT, JT and ST Models; Manual Timer Models
	M412949	Front Panel	Stainless Steel; AT, DT, JT and ST Models; Manual Timer Models
	M413178*	Front Panel	Painted; AT, DT, JT and ST Models; Micro Control Models
	M413276	Front Panel	Stainless Steel; AT, DT, JT and ST Models; Micro Control Models
	M414256*	Front Panel	Painted; DC, JC and SC Models
	M414257	Front Panel	Stainless Steel; DC, JC and SC Models
2	M410892	Warning Label	
3	H96418728	Insulator	
4	H96422241	Door Switch	AT, DT, JT and ST Models
	M412372	Door Switch	DC, JC and SC Models
5	M400979	Twin Nut	
6	M410029	Hinge Pin	
	M412749	Hinge Pin	DC, JC and SC Models
7	M410041P	Upper Panel Hinge	
8	H88129648	Screw	
9	M400671	Washer	
10	M410042P	Lower Panel Hinge	
11	431106	Warning Label	AT, DT and ST Models
	430527	Warning Label	JT Models
12	M400072	Screw	
13	M401223	Door Catch	
14	H88110267	Screw	AT, DT, JT and ST Models
	M412531	Screw	DC, JC and SC Models
15	M411267	Screw	

* Add Letter To Designate Color. B - Battina Green H - Harvest Gold K - Red L - Almond P - Turquoise V - Orange
W - White X - Electric Blue

Door Assembly



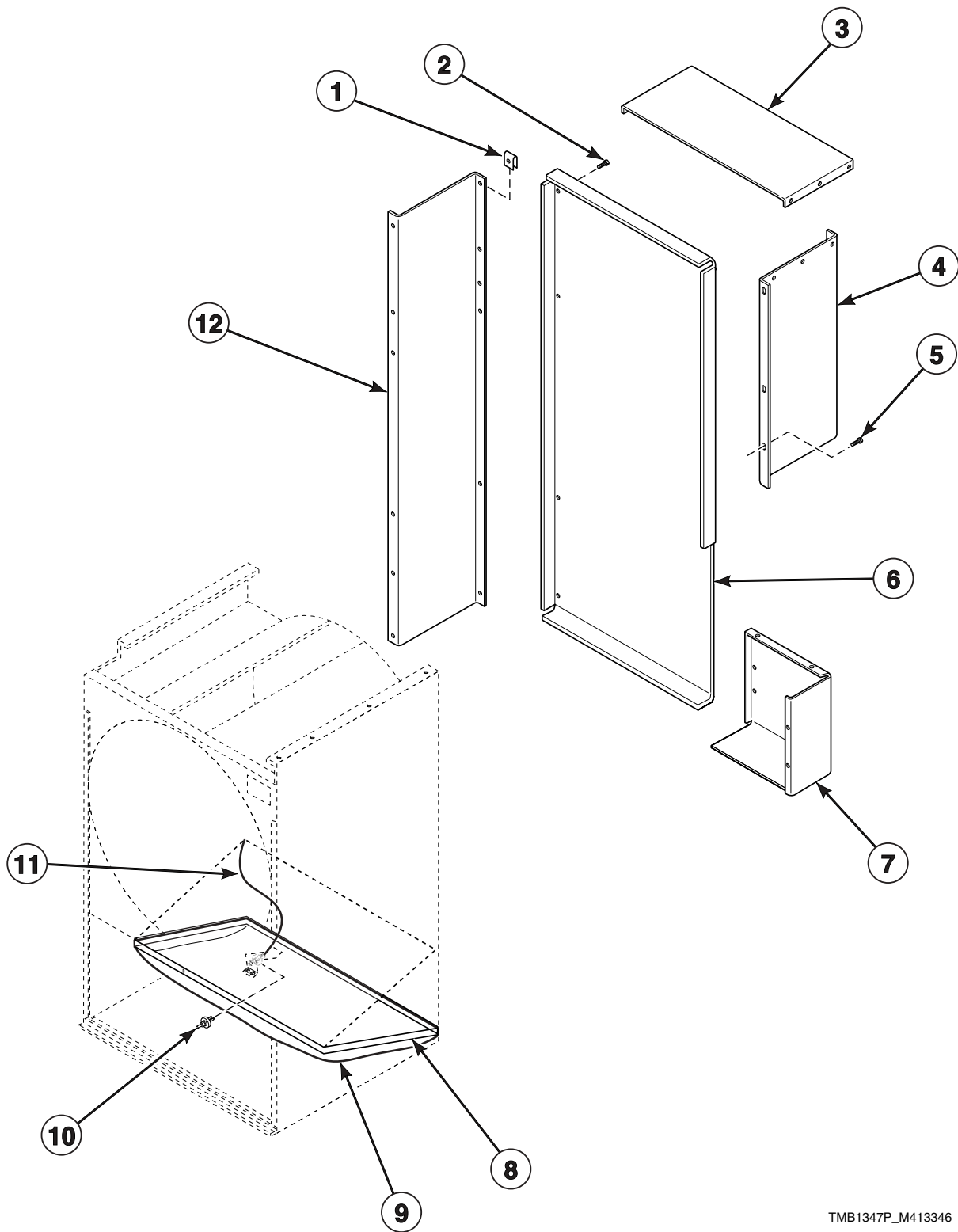
TMB2062P_M413346

Door Assembly

REF	PART NO.	DESCRIPTION	COMMENTS
1	M400661	Door Strike Screw	
2	Q6163	Nut	
3	M410289*	Door Assembly	Painted
	M410290	Door Assembly	Stainless Steel
4	H96409156	Door Gasket	
5	70054	Nut	
6	H88129648	Screw	
7	51236	Nut	
8	M409976	Actuator Screw	
9	M400044	Screw	JT Models
10	M410031	Lower Door Hinge	Silver
	M410702	Lower Door Hinge	Black; AT, DT and ST Models
11	M410030	Upper Door Hinge	Silver; JT Models
	M410701	Upper Door Hinge	Black; AT, DT and ST Models
12	M409900	Door Glass Seal	
13	M409899P	Door Glass and Seal Kit	Includes Item 12
14	M400133	Door Handle	
15	M409385	Screw	

* Add Letter To Designate Color. B - Battina Green H - Harvest Gold K - Red L - Almond P - Turquoise V - Orange
W - White X - Electric Blue

Lint Screen and Drive Guard

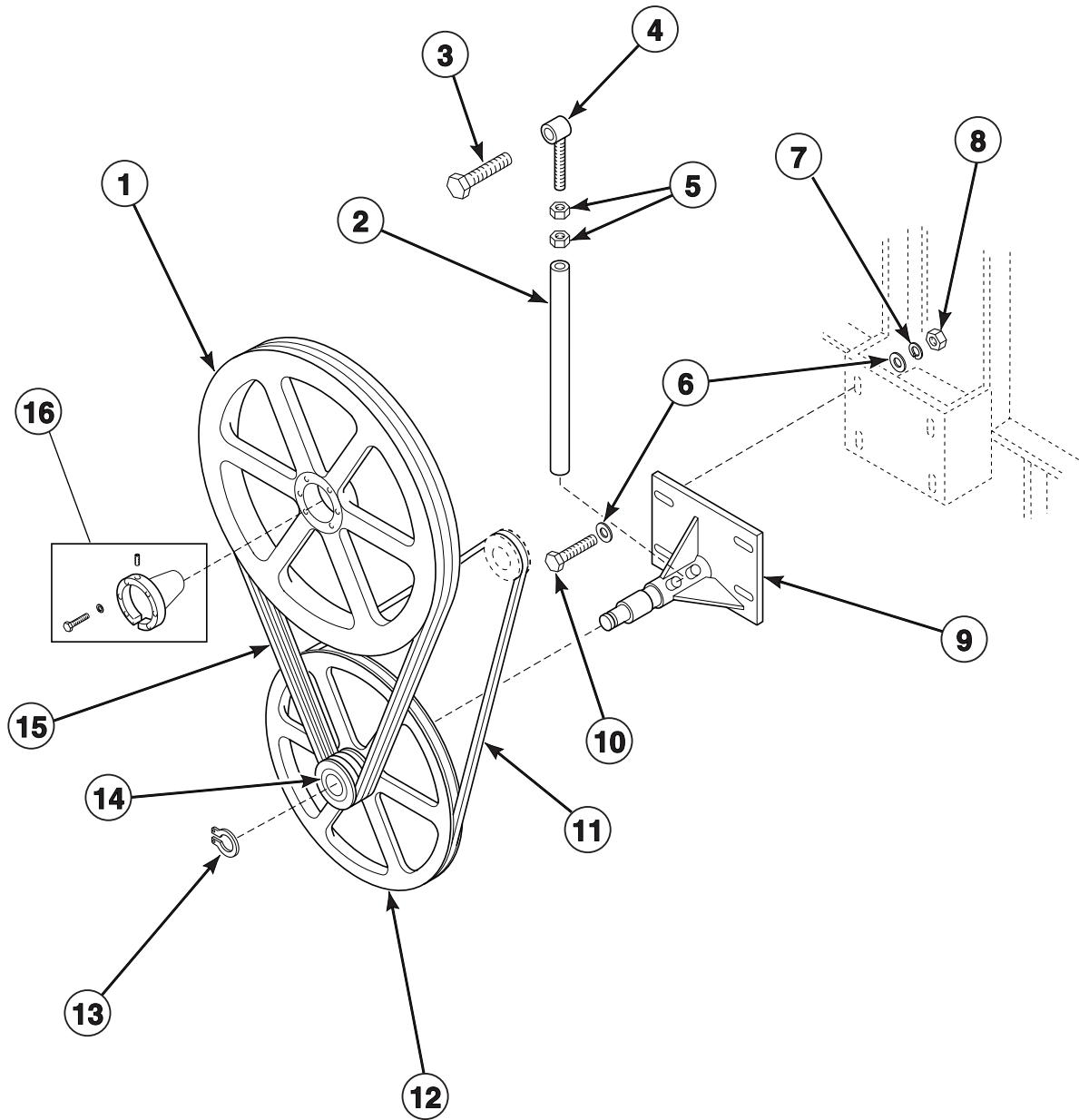


TMB1347P_M413346

Lint Screen and Drive Guard

REF	PART NO.	DESCRIPTION	COMMENTS
	M413140	Bottom Drive Guard	
	M412980W	Gusset	Left side
	M412979	Gusset	Right side
1	M400984	U-Clip	Speed nut
2	M401902	Screw	
3	M413138	Top Drive Guard	
4	M413136	Left Drive Guard Side	
5	430497	Screw	
6	M414284	Drive Guard Cover	
7	M413139	Corner Drive Guard	
8	H96362025	Lint Screen Frame	
9	44063603	Lint Screen	
	44039003	Lint Screen	With snaps
10	M414704	Thermistor	Micro Control Models
11	M413552	Thermistor Cable	OM Micro Control Models
	M413245	Thermistor Cable	MM Micro Control Models
12	M413137	Right Drive Guard Side	

Drive Sheave, Step Pulley and Belts

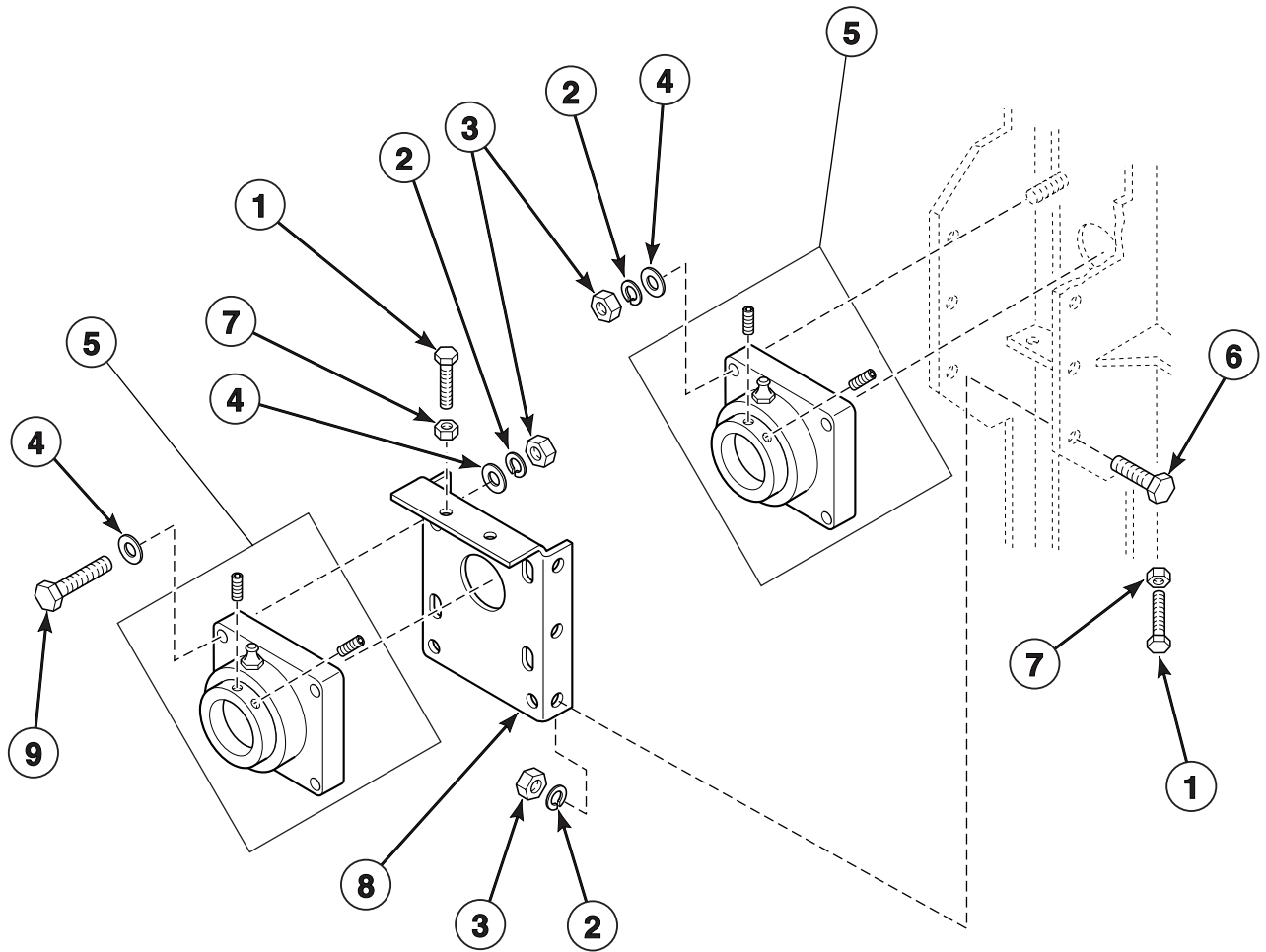


T249PZ3B_M413346

Drive Sheave, Step Pulley and Belts

REF	PART NO.	DESCRIPTION	COMMENTS
	H88603477	Retainer Ring	2 required
1	H8752251H	Sheave	
2	H96428487	Tube	
3	H88001565	Bolt	
4	M411337	Eye Bolt	
5	M404993	Nut	
6	M400081	Washer	
7	M400014	Lockwasher	
8	20274	Nut	
9	H96357751	Jackshaft Assembly	
10	22688	Screw	
11	H87533014	Belt	
12	H96428024	Step Pulley	
13	H88602263	Retainer Ring	
14	M414367	Step Pulley Bearing	Outer
	H87672374	Step Pulley Bearing	Inner
15	H87533816P	Belt	Set of 3
16	H8752985H	Bushing	

Trunnion Bearings

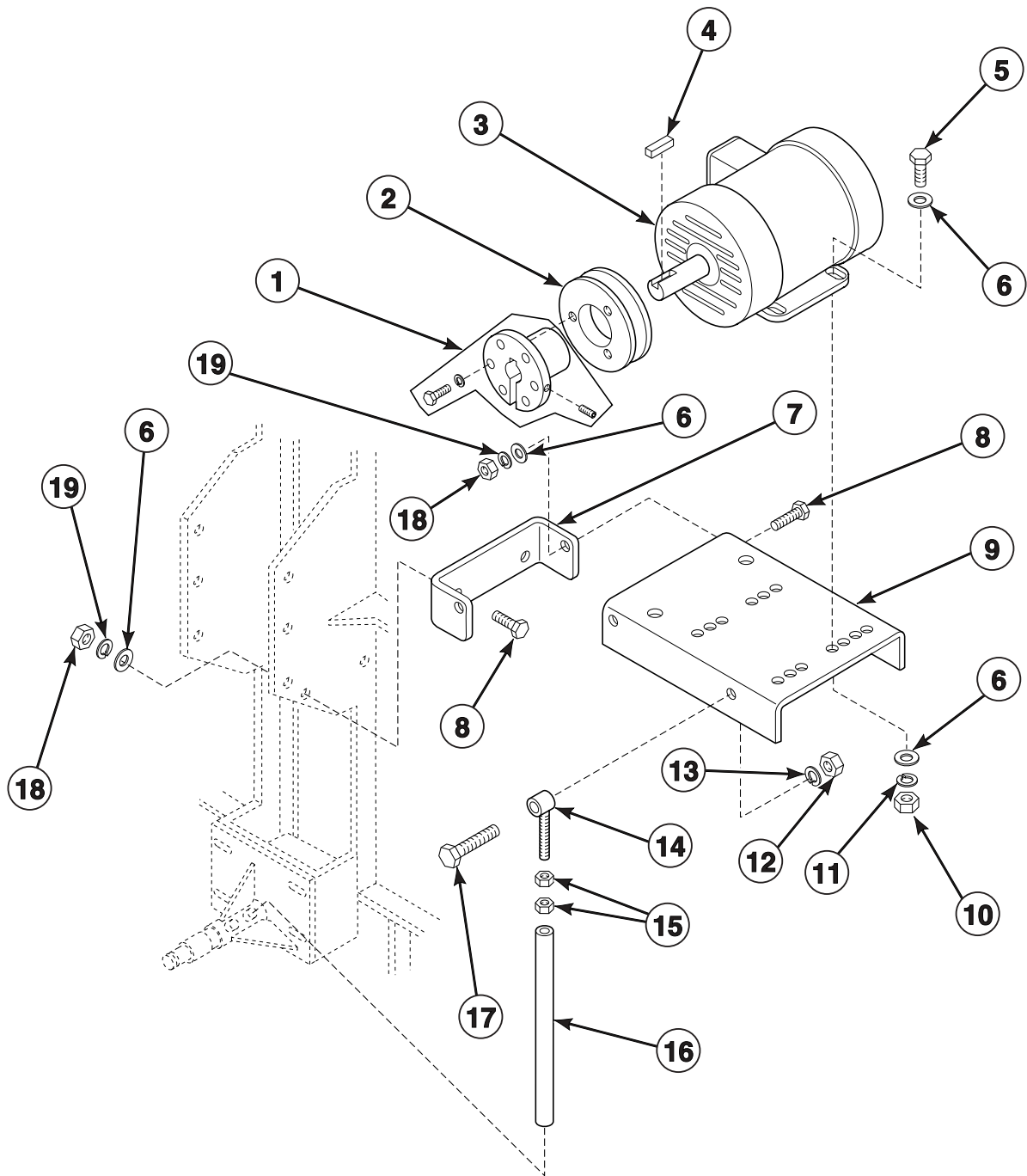


TMB1733P_M413346

Trunnion Bearings

REF	PART NO.	DESCRIPTION	COMMENTS
1	H88213996	Screw	
2	91200	Lockwasher	
3	20274	Nut	
4	M400081	Washer	
5	H87625430	Trunnion Bearing	
6	H88012034	Screw	
7	20274	Nut	
8	H96428008	Mounting Bracket	
9	M411165	Screw	

Cylinder Drive Motor

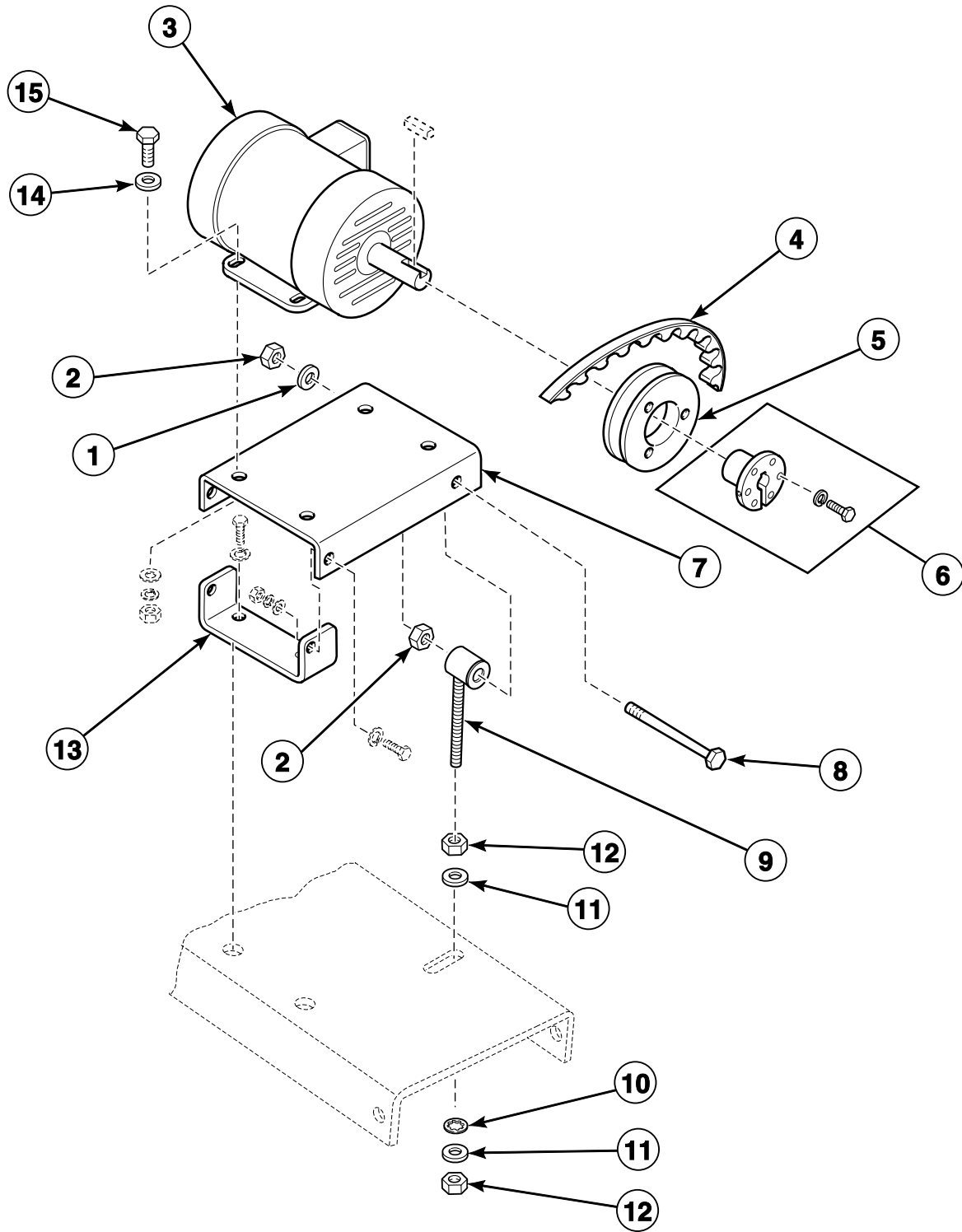


T237PZ3A_M413346

Cylinder Drive Motor

REF	PART NO.	DESCRIPTION	COMMENTS
1	H87529111	Taper Bushing	
2	H87520334	Drive Sheave	60 Hertz
	H8752026H	Drive Sheave	50 Hertz
3	44052901	Cylinder Drive Motor	208-240-480 Volt/60 Hertz/3 Phase
	44053001	Cylinder Drive Motor	220-380-415 Volt/50 Hertz/3 Phase
4	H8752006H	Key	
5	M400056	Screw	
6	M400080	Washer	
7	H96428693	Bracket	
8	22688	Screw	
9	M413171	Motor Base	
10	70142	Nut	
11	M400013	Lockwasher	
12	H88412093	Nut	
13	H88511118	Lockwasher	
14	M411337	Eye Bolt	
15	M404993	Nut	
16	H96428479	Tube	
17	H88001565	Screw	
18	20274	Nut	
19	M400014	Lockwasher	

Fan Motor Assembly



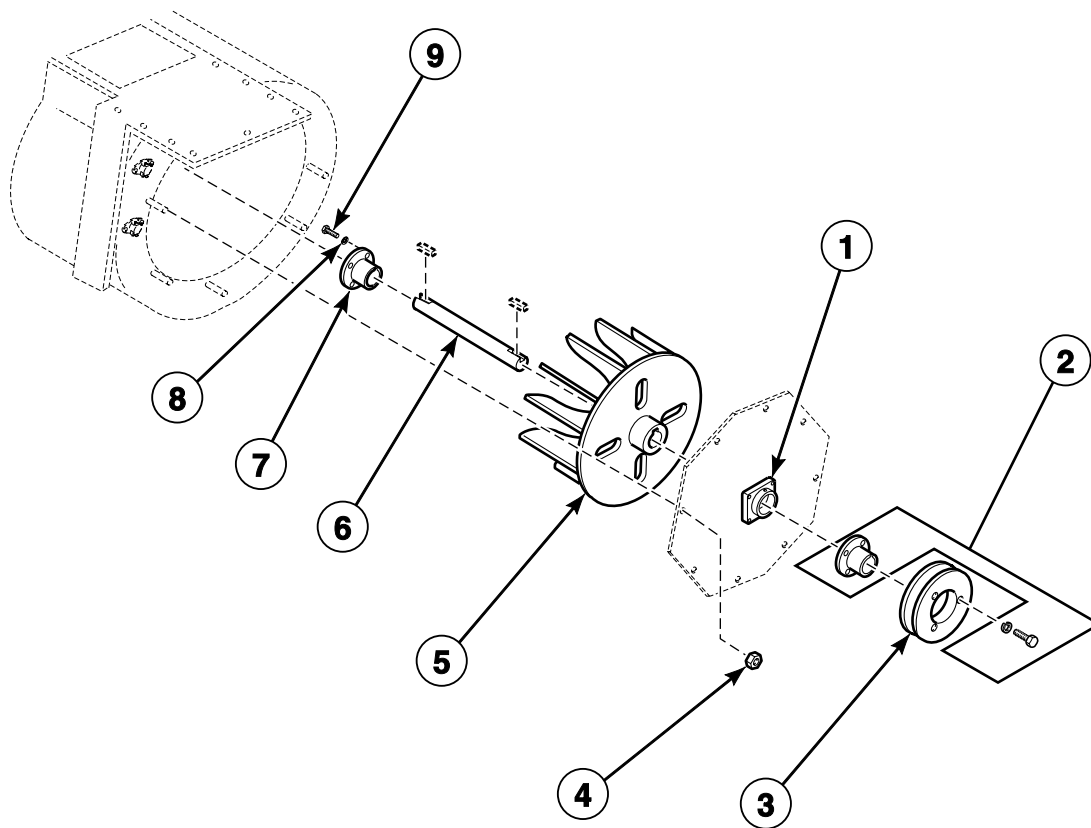
TMB1348P_M413346

Fan Motor Assembly

REF	PART NO.	DESCRIPTION	COMMENTS
	22688	Screw	Bracket; 4 required
	M400014	Lockwasher	Bracket; 4 required
	20274	Nut	Bracket; 4 required
	M400013	Lockwasher	Motor
	70142	Nut	Motor
1	H88511118	Lockwasher	
2	H88412093	Nut	2 required
3	M410862	Blower Motor	208-230-460 Volt/60 Hertz/3 Phase
	M413448	Blower Motor	220-380-440 Volt/50 Hertz/3 Phase
4	H87532685	Belt	
5	H8752060H	Motor Sheave	60 Hertz
	H8752065H	Motor Sheave	50 Hertz
6	M412995	Bushing	
7	M413171	Motor Base	
8	M413528	Screw	
9	M411337	Eye Bolt	
10	91200	Lockwasher	
11	Q6712	Washer	2 required
12	H88412101	Nut	2 required
13	H96428693	Bracket	
14	M400080	Washer	Bracket and Motor
15	M400056	Screw	Motor

Fan Assembly

Models Built Before 4/9/98



TMB1349P_M413346

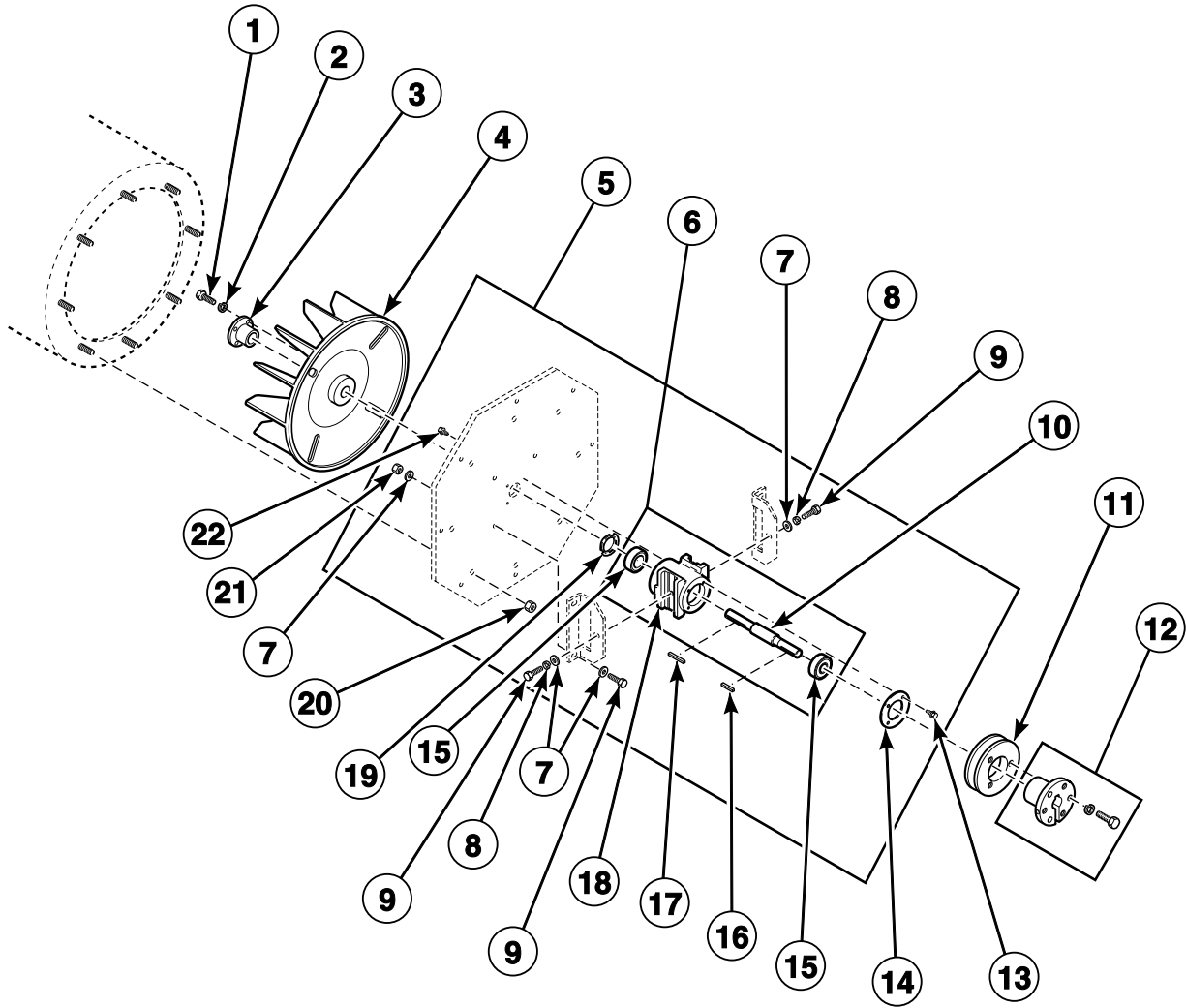
Fan Assembly

REF	PART NO.	DESCRIPTION	COMMENTS
1	N/A	Flange Bearing	Order M4680P3 Kit
2	H8752922H	Bushing	
3	H8752065H	Blower Sheave	60 Hertz
	H8752060H	Blower Sheave	50 Hertz
4	29786	Nut	
5	H96368469	Blower Fan	
6	N/A	Blower Shaft	Order M4680P3 Kit
7	M412917	Bushing	
8	56552	Lockwasher	3 required
9	H8800901H	Screw	3 required

N/A = Part no longer available

Fan Assembly

Models Built 4/9/98 and After

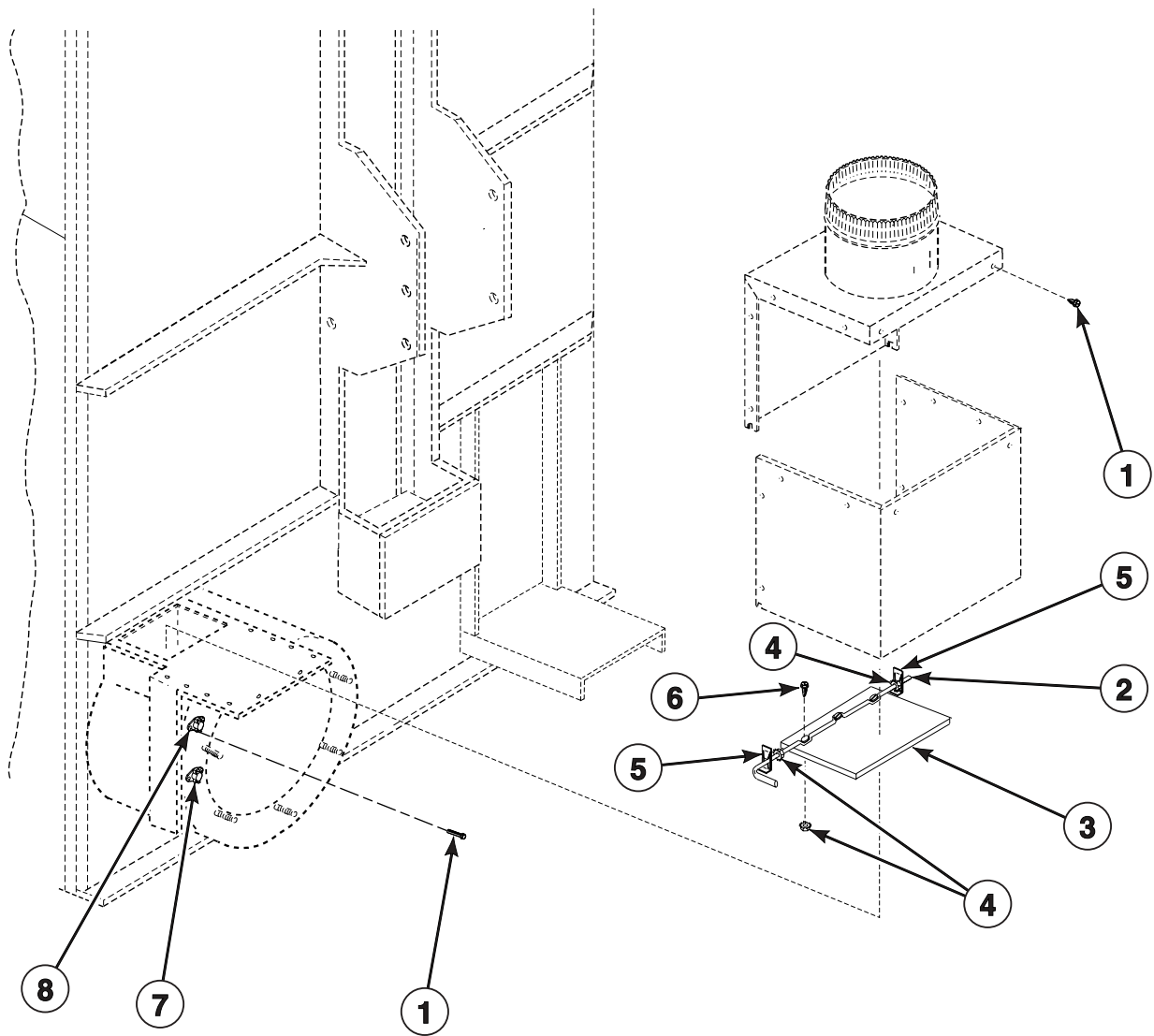


TMB1350P_M413346

Fan Assembly

REF	PART NO.	DESCRIPTION	COMMENTS
1	H8800901H	Screw	3 required
2	56552	Lockwasher	3 required
3	M412917	Bushing	
4	H96368469	Blower Fan	
5	M4680P3	Blower Bearing Assembly Kit	
6	M412630	Bearing, Shaft and Housing Assembly	
7	M400080	Washer	
8	M400014	Lockwasher	
9	M400043	Bolt	
10	M414241	Idler Shaft	
11	H8752065H	Blower Sheave	60 Hertz
	H8752060H	Blower Sheave	50 Hertz
12	H8752922H	Bushing	
13	M409385	Screw	
14	M401370	Bearing Retainer	
15	M401375P	Bearing	
16	M401327	Key	
17	M400993	Key	
18	M412612	Idler Housing	
19	M400401	Spring	
20	29786	Nut	
21	20274	Nut	
22	70187202	Screw	

Exhaust System Components

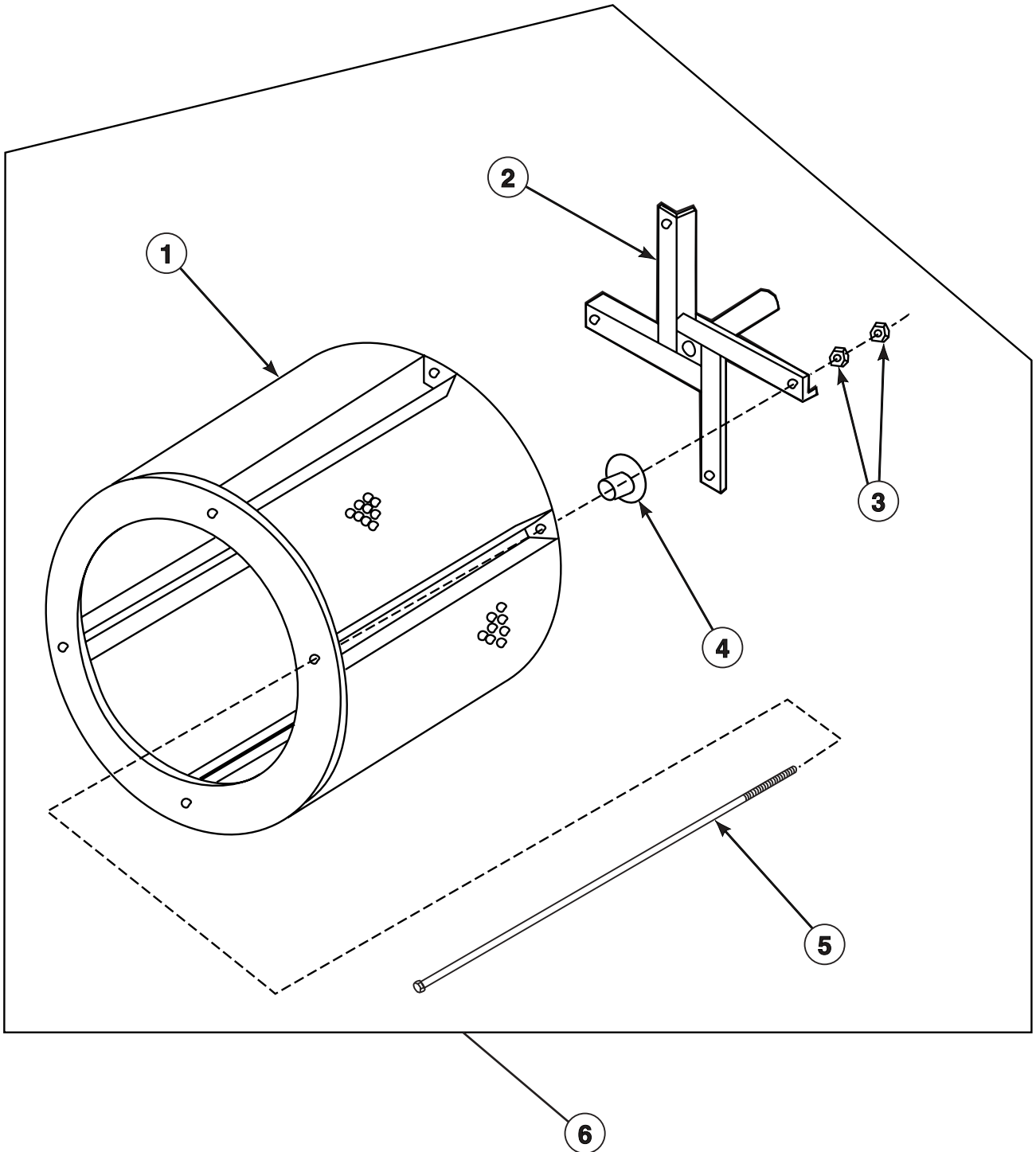


T338PZ3B_M413346

Exhaust System Components

REF	PART NO.	DESCRIPTION	COMMENTS
1	430497	Screw	16 required
2	M413401	Damper Rod	
3	M413402	Damper Vane	
4	23951	Nut	
5	M400976	Clip	2 required
6	M400044	Screw	
7	H8900530H	Load Ready Thermostat	
8	M411403	Cabinet High Limit Thermostat	60 Hertz
	M411946	Cabinet High Limit Thermostat	50 Hertz

Cylinder and Trunnion Shaft

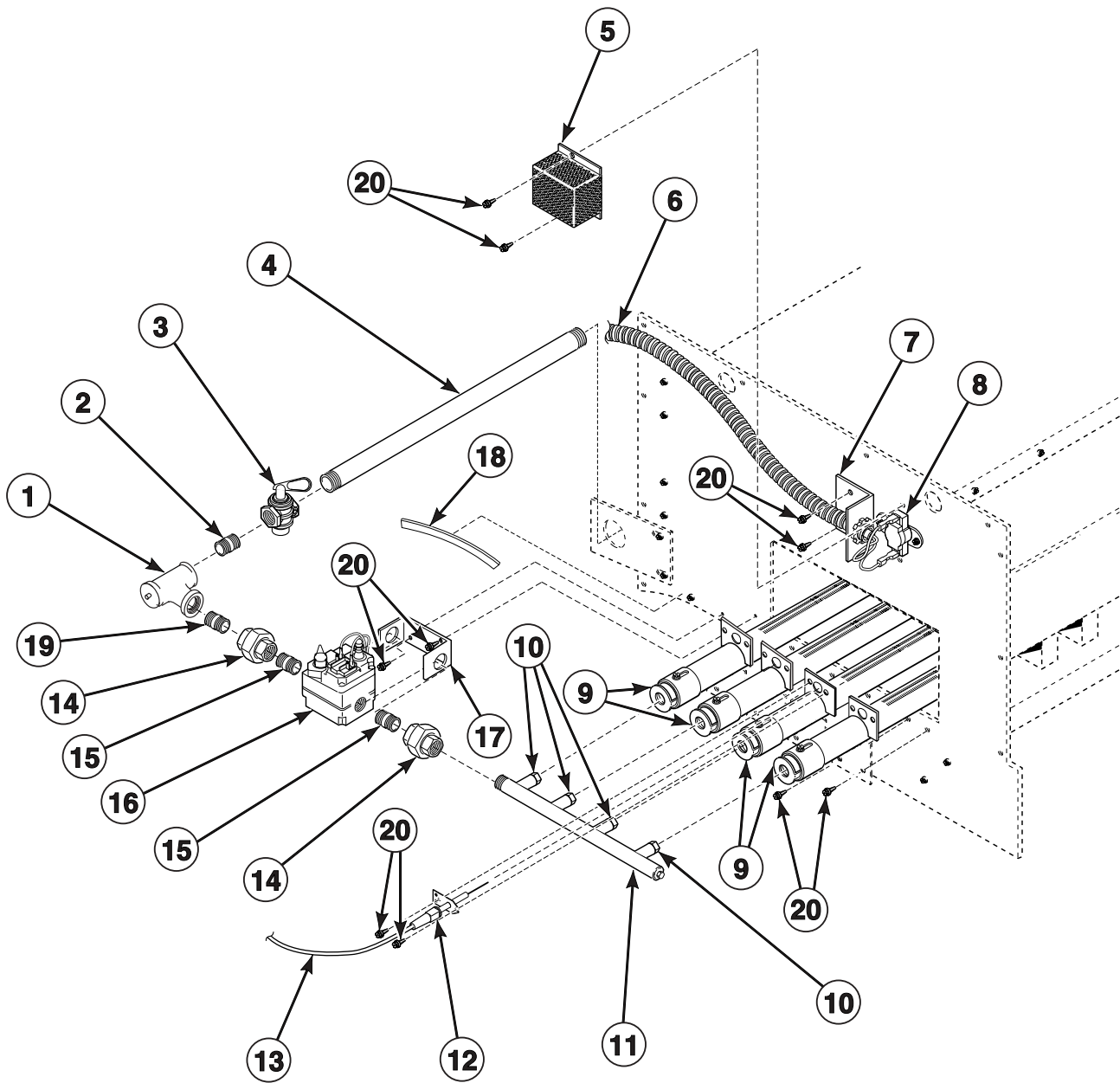


T178PZ3A_M413346

Cylinder and Trunnion Shaft

REF	PART NO.	DESCRIPTION	COMMENTS
	M401402	Spacer	
1	H96367545	Cylinder	Galvanized
	M409826	Cylinder	Stainless Steel
2	H96367537	Trunnion Assembly	
3	H88412101	Nut	
4	M412334	Rib Rod Nut	
5	H8830143H	Rib Rod	
6	H96360003	Cylinder and Shaft Assembly	Galvanized
	M409827	Cylinder and Shaft Assembly	Stainless Steel

Gas Burner Unit

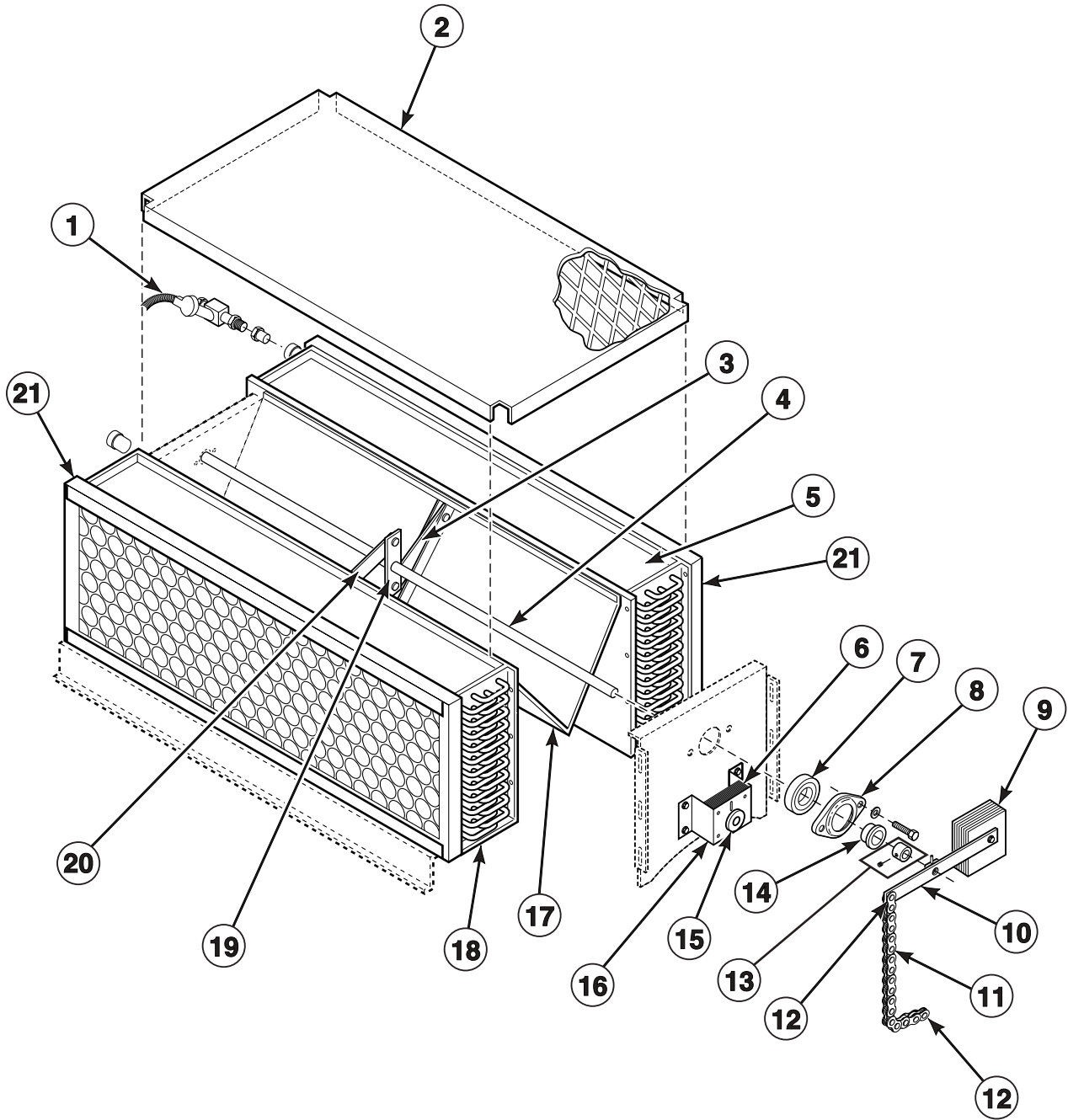


T339PZ3B_M413346

Gas Burner Unit

REF	PART NO.	DESCRIPTION	COMMENTS
	M414287	Sensor Wire	Australian Models
	M411506	Stove Partition Gasket	Sold per foot; 3 feet required
	M4591P3	Gas Conversion Kit	Natural Gas to L. P. Gas (L.P.); Dual Timer and MM Models; 60 Hertz
	M4592P3	Gas Conversion Kit	Natural Gas to L.P. Gas; OM and Dual Timer; 50 Hertz
1	M413020	Tee	
2	M413023	Nipple	
3	M413017	Shut-Off Valve	
4	M413022	Gas Pipe	
5	M414477	Cover	
6	M413041	Wire Harness	Stove High Limit
7	431078	Bracket	
8	M411404	High Limit Thermostat	Natural Gas; 60 Hertz
	M413988	High Limit Thermostat	Manual Reset; Natural Gas; 50 Hertz
	M413989	High Limit Thermostat	Manual Reset; L.P.; Australian, DC, JC and SC Models
	431177	High Limit Thermostat	L.P.; 60 Hertz; 50 Hertz; AT, DT, JT and ST Models
9	M412025	Burner	4 required for Natural Gas; 3 required for L.P.
10	M411372	Burner Orifice	Natural Gas; 4 required; 0-2000 feet; #12
	M411371	Burner Orifice	Natural Gas; 4 required; 2001-4000 feet; #14
	M411373	Burner Orifice	Natural Gas; 4 required; 4001-6000 feet; #16
	M411374	Burner Orifice	Natural Gas; 4 required; 6001-8000 feet; #17
	M402995	Burner Orifice	Natural Gas; 4 required; 8001-10000 feet; #19
	M400997	Burner Orifice	L.P.; 3 required; 0-2000 feet; #29
	M401021	Burner Orifice	L.P.; 3 required; 2001-6000 feet; #30
	M401017	Burner Orifice	L.P.; 3 required; 6001-10000 feet; #31
11	M411736	Spud Holder	
12	M406934P	Igniter	
	M410905	Igniter	Australian Models
13	M412991	High Voltage Lead	
	M414286	High Voltage Lead	Australian Models
14	M411419	Union	
15	M411417	Nipple	
16	M412362P	Gas Valve	60 Hertz, Natural Gas and L.P.; AT, DT, JT and ST Models; MT and MM
	M412363P	Gas Valve	50 Hertz, Natural Gas; DT, JT and ST Models; MT
	M412364	Gas Valve	50 Hertz, L.P.; DT, JT and ST Models; MT
	M413470P	Gas Valve	60 Hertz; AT, DT, JT and ST Models; OM
	M413466P	Gas Valve	60 Hertz; L.P.; AT, DT, JT and ST Models; OM
	M413465	Gas Valve	50 Hertz; L.P.; DT, JT and ST Models; OM
	M413469	Gas Valve	50 Hertz; Natural Gas; DT, JT and ST Models; OM
	M414288	Gas Valve	50 Hertz; DC, JC and SC Models
	M414319	Flanges	Use with M414288 Gas Valve
17	M411259	Bracket	
18	M411505	Stove End Gasket	Sold by foot; 2 feet required
19	H85101673	Nipple	
20	430497	Screw	All

Steam Heating Unit



TMB2063P_M413346

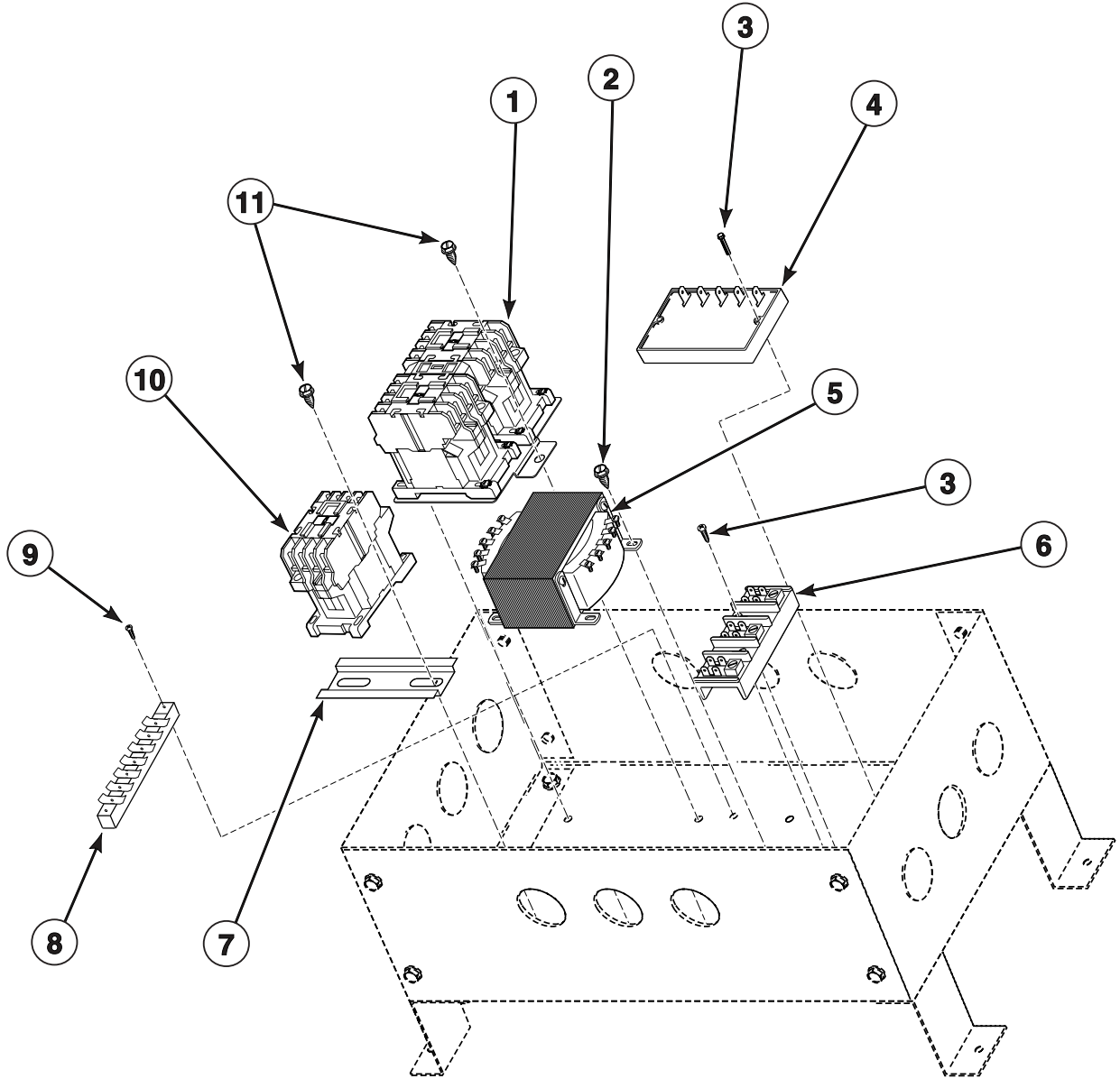
Steam Heating Unit

REF	PART NO.	DESCRIPTION	COMMENTS
	H88900683	Drive Wheel Pin	
1	M413295P	Steam Solenoid Valve	110 Volt, 60 Hertz; AT, DT, JT and ST Models; Manual Timer and MM Micro Control Models
	M413298P	Steam Solenoid Valve	240 Volt, 50 Hertz; DT, JT and ST Models; Manual Timer Models
	M413445	Steam Solenoid Valve	24 Volt, 50 Hertz; DC, JC and SC Models; DT, JT and ST Models; OM Micro Control Models
	M413446	Steam Solenoid Valve	N/A; 60 Hertz; AT, DT, JT and ST Models; OM Micro Control Models
	70205601	Steam Solenoid Valve	24 Volt, 60 Hertz; AT, DT, JT and ST Models; OM Micro Control Models
	M413299	Coil	110 Volt; Use with M413295 Valve
	70205701	Coil	24 Volt; Use with 70205601 Valve
	M413302	Coil	240 Volt; Use with M413298 Valve
	M412258	Coil	24 Volt; Use with M413445 Valve
	M413451	Coil	24 Volt; Use with M413446 Valve
2	44018501	Housing Cover	Manual Timer Models
	M413201	Housing Cover	Micro Control Models
3	H96388012	Damper Link	
4	H96368956	Damper Shaft	
5	M409834	Steam Coil	Right
6	M411339	Damper Motor	120 Volt/60 Hertz
	M411338P	Damper Motor	50 Hertz
	M412905	Damper Motor	24 Volt/50 Hertz; All OM Micro Control Models; DC, JC, and SC Models
	M413592	Damper Motor	24 Volt/60 Hertz; OM Micro Control Models
7	H96382098	Bearing Insert	
8	H96382080	Bearing Flangette	One pair
9	M413331	Counterweight	7 required
10	H96387501	Actuator Arm	
11	H96388186	Chain	
12	H96382072	Connecting Link	
13	M414451	Shaft Collar	For bronze bearing
14	M414459	Bronze Bearing	
15	H96388178	Damper Drive Wheel	
16	H96388145	Bracket	
17	H96367685	Damper Assembly	2 required
18	M409833	Steam Coil	Left
19	H96368964	Actuator	
20	H96388012	Damper Link	
21	H96362264	Filter	2 required

N/A = Part no longer available

Contactor Box

AT, DT, JT and ST Models



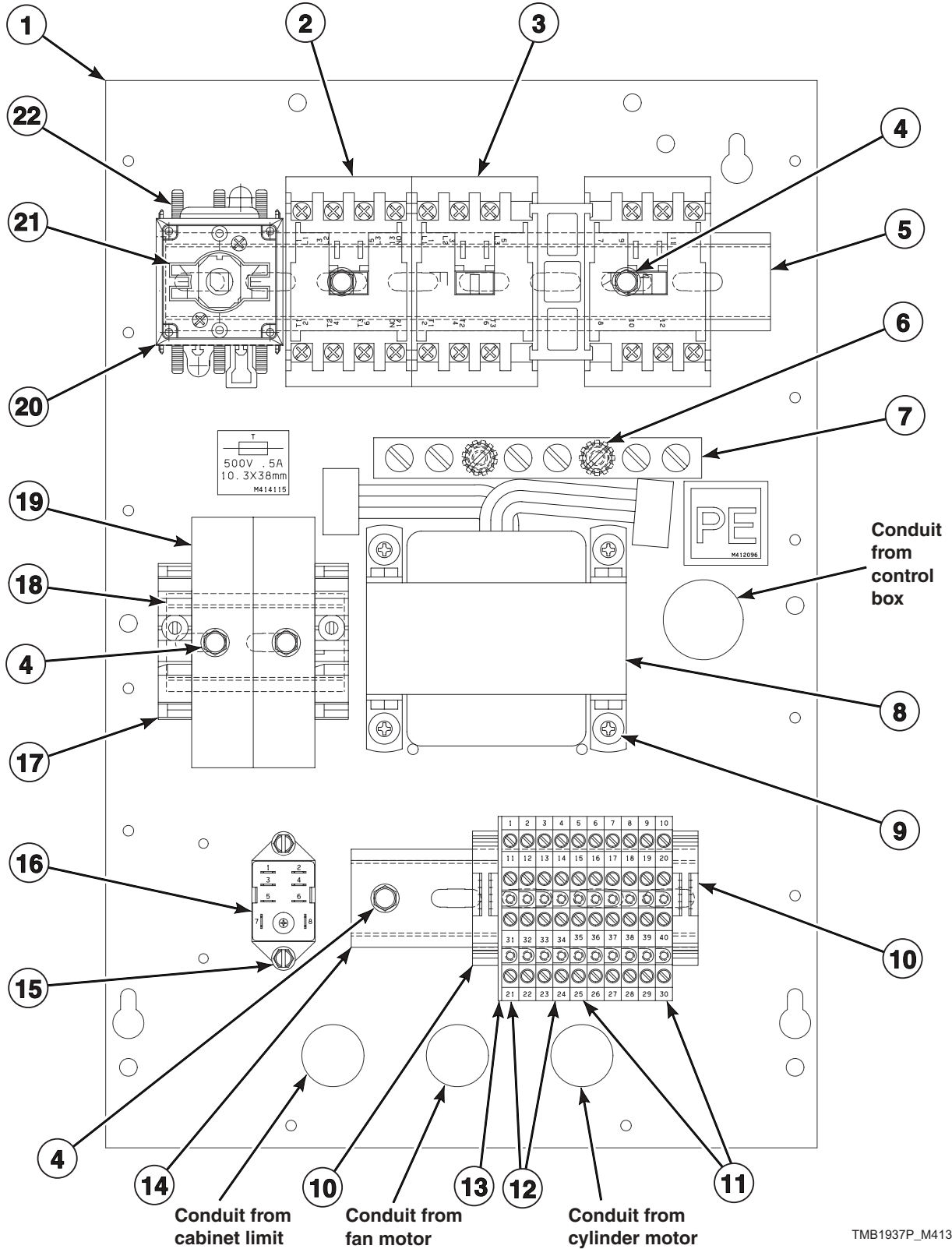
T341PZ3B_M413346

Contactor Box

REF	PART NO.	DESCRIPTION	COMMENTS
	23951	Nut	
	M411279	Contactor Box Cover	
1	M411269P	Reversing Contactor	60 Hertz; Manual Timer and MM Micro Control Models
	M410515	Reversing Contactor	50 Hertz; Manual Timer Models
	M413615P	Reversing Contactor	50-60 Hertz; OM Micro Control Models
2	M400044	Screw	
3	62588	Screw	
4	M411683	Reversing Timer	
5	M413100	Transformer	60 Hertz; Manual Timer Models
	M401391P	Transformer	50 Hertz; Manual Timer Models; Located in Temperature Control Area
	M414228P	Transformer	240 Volt; 60 Hertz; OM Micro Control Models
	M414229P	Transformer	380-480 Volt; 50-60 Hertz; OM Micro Control Models
6	M405363	Terminal Block	3 pole; Manual Timer and MM Micro Control Models
	M405364	Terminal Block	2 pole; OM Micro Control Models
7	M410501	Din Rail	
8	H83103416	Terminal Strip	
9	51778	Screw	
10	M410529	Fan Contactor	60 Hertz; Manual Timer and MM Micro Control Models
	M410457	Fan Contactor	50 Hertz; Manual Timer Models
	M413614	Fan Contactor	50-60 Hertz; OM Micro Control Models
11	33562	Screw	

Contactor Box

DC, JC and SC Models



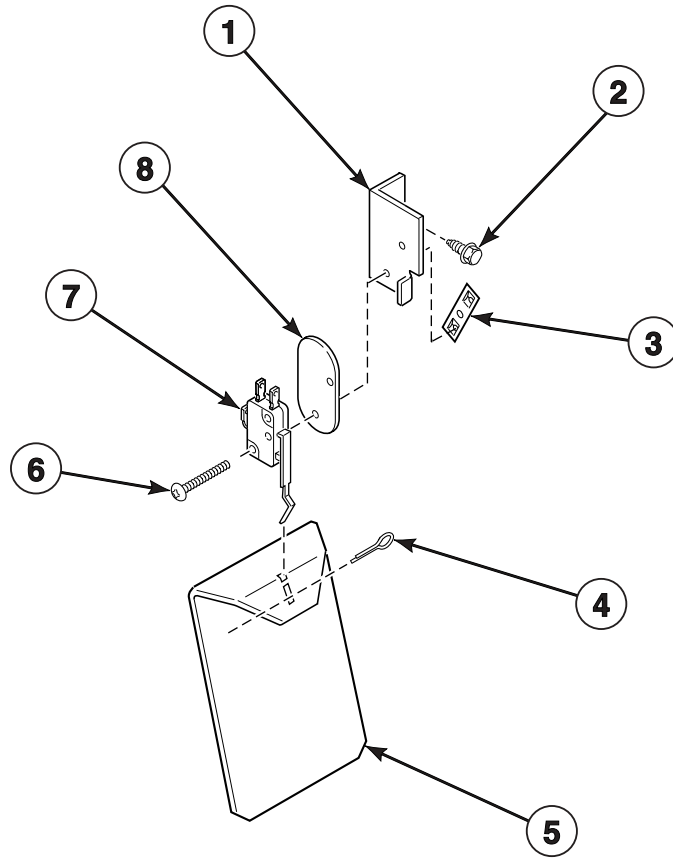
TMB1937P_M413346

Contactor Box

REF	PART NO.	DESCRIPTION	COMMENTS
	M413889	Fuse	4 Amp; Located on box side
	502591	Fuse Holder Body	Located on box side
	502811	Fuse Holder Carrier	Located on box side
	23951	Nut	
	M413621	Fuse	.5 Amp
1	M412648	Contactor Box Bottom	
2	M412404	Fan Contactor	
3	M412405	Reversing Contactor	
4	51780	Screw	
5	M412689	Din Rail	
6	M412688	Nut	
7	M412656	Ground Buss	
8	M414229	Transformer	
9	M400044	Screw	
10	70121001	End Stop	
11	M412631	Terminal Block	2 circuit
12	M412632	Terminal Block	1 circuit
13	M412633	End Barrier	
14	M412772	Din Rail	
15	501086	Screw	
16	M412534	Relay	
17	M412615	End Stop	
18	M412771	Din Rail	
19	M412538	Terminal Block Fuse Holder	
20	M412187	Mounting Base Switch	
21	M412370	Handle	
22	M412366	Finger Guard	

Airflow Switch Assembly

Mounted on Back of Cabinet



TMB1740P_M413346

Airflow Switch Assembly

REF	PART NO.	DESCRIPTION	COMMENTS
1	430370	Mounting Bracket	
2	430497	Bracket Attaching Screws	
3	M400979	Twin Nut	
4	02470	Cotter Pin	
5	430372	Vane	
6	M401938	Screw	
7	44021701	Switch	AT, DT, JT and ST Models
	431431	Switch	DC, JC and SC Models
8	H96418728	Insulator	

Wire Harnesses

AT, DT, JT and ST Models

PART NO.	DESCRIPTION	COMMENTS
M413041	Stove High Limit Harness	Gas; MT/MM/OM models
M413042	Airflow Switch Harness	Gas and steam; MT/MM/OM models
M413044	Cylinder Motor Harness	Gas and steam; MT/MM/OM models
M413054	Door Switch Harness	Gas and steam; MT/MM/OM models
M413055	Timer Controls Harness	Gas and steam; MT models
M413083	Cabinet High Limit Harness	Gas and steam; MT/MM/OM models
M413085	Ignition Control Harness	Gas; MT/MM models
M413534	Ignition Control Harness	Gas; OM models
M413086	Damper Motor Harness	Steam; MT/OM models
M413087	Transformer Harness	Gas and steam; MT models; 60 Hertz
M413143	Main Harness	Gas and steam; MM models
M413533	Main Harness	Gas and steam; OM models
M413144	C-Box to T-Box Harness	Gas and steam; MT/MM models
M414248	C-Box to T-Box Harness	Gas and steam; OM models
M413145	Contactora Box Harness	Gas and steam; MT/MM models
M413147	Control Box Harness	Gas and steam; MM models
M413167	Control Box Harness	Gas and steam; MT models
M413168	Damper Motor Bypass Harness	Steam; MM/OM models

Wire Harnesses

DC, JC and SC Models

PART NO.	DESCRIPTION	COMMENTS
M413041	Stove High Limit Harness	Gas; MT/OM models
M414260	Airflow Switch Harness	Gas and steam; OM models
M413112	Airflow Switch Harness	Gas and steam; MT models
M413110	Cylinder Motor Harness	Gas and steam; MT/OM models
M413101	Door Switch Harness	Gas and steam; MT/OM models
M414261	Cabinet High Limit Harness	Gas and steam; OM models
M414252	Ignition Control Harness	Gas; OM models
M413086	Damper Motor Harness	Steam; MT/OM models
M414028	Transformer Harness	Gas and steam; OM models
M412641	Transformer Harness	Gas and steam; MT models
M414249	Main Harness	Gas and steam; OM models
M413107	Main Harness	Gas and steam; MT models
M414248	C-Box to T-Box Harness	Gas and steam; OM models
M413643	C-Box to T-Box Harness	Gas and steam; MT models
M414253	Control Box Harness	Gas and steam; OM models
M413644	Control Box Harness	Gas and steam; MT models

Parts Index

A

Actuator	
H96368964	39
Actuator Arm	
H96387501	39
Actuator Screw	
M409976	17
Airflow Switch Harness	
M413042	46
M413112	46
M414260	46

B

Battery	
M410826	9
Bearing	
M401375P	31
Bearing Flangette	
H96382080	39
Bearing Insert	
H96382098	39
Bearing Retainer	
M401370	31
Bearing, Shaft and Housing Assembly	
M412630	31
Belt	
H87532685	27
H87533014	21
H87533816P	21
Blower Bearing Assembly Kit	
M4680P3	31
Blower Fan	
H96368469	29, 31
Blower Motor	
M410862	27
M413448	27
Blower Sheave	
H8752060H	29, 31
H8752065H	29, 31
Bolt	
H88001565	21
M400043	31
Bottom Drive Guard	
M413140	19
Bracket	
H96388145	39
H96428693	25, 27
M411259	37
431078	37
Bracket Attaching Screws	
430497	45
Bronze Bearing	
M414459	39
Bumper	
M411560	13
M411561	13
Burner	
M412025	37

Burner Orifice	
M400997	37
M401017	37
M401021	37
M402995	37
M411371	37
M411372	37
M411373	37
M411374	37
Bushing	
H8752922H	29, 31
H8752985H	21
M412917	29, 31
M412995	27
Buzzer	
500730	7
500823	7

C

Cabinet High Limit Harness	
M413083	46
M414261	46
Cabinet High Limit Thermostat	
M411403	33
M411946	33
C-Box to T-Box Harness	
M413144	46
M413643	46
M414248	46
Chain	
H96388186	39
Clamp	
M411231	9
Clip	
M400976	33
Coil	
M412258	39
M413299	39
M413302	39
M413451	39
70205701	39
Connecting Link	
H96382072	39
Contact Block	
M412231	11
Contact Box Bottom	
M412648	43
Contact Box Cover	
M411279	41
Contact Box Harness	
M413145	46
Control	
M410786P	9
70228401P	11
Control Box Harness	
M413147	46
M413167	46
M413644	46
M414253	46
Cooling Timer	
M410900P	5

M410902P.....	5
Corner Drive Guard M413139	19
Cotter Pin 02470	45
Counterweight M413331	39
Cover M414477	37
Cylinder H96367545	35
M409826	35
Cylinder and Shaft Assembly H96360003	35
M409827	35
Cylinder Drive Motor 44052901	25
44053001	25
Cylinder Motor Harness M413044	46
M413110	46

D

Damper Assembly H96367685	39
Damper Drive Wheel H96388178	39
Damper Link H96388012	39
Damper Motor M411338P	39
M411339	39
M412905	39
M413592	39
Damper Motor Bypass Harness M413168	46
Damper Motor Harness M413086	46
Damper Rod M413401	33
Damper Shaft H96368956	39
Damper Vane M413402	33
Din Rail M410501	41
M412689	43
M412771	43
M412772	43
Door Assembly M410289*	17
M410290	17
Door Catch M401223	15
Door Gasket H96409156	17
Door Glass and Seal Kit M409899P	17
Door Glass Seal M409900	17
Door Handle M400133	17

Door Strike Screw M400661	17
Door Switch H96422241	15
M412372	15
Door Switch Coupler M412551	15
Door Switch Harness M413054	46
M413101	46
Drive Guard Cover M414284	19
Drive Sheave H8752026H	25
H87520334	25
Drive Wheel Pin H88900683	39
Drying Timer M410901P	5
M410903P	5

E

Emergency Stop Button M412232	11
Emergency Stop Graphic Panel M414245	11
M414245R	11
M414246	11
M414246R	11
End Barrier M412633	43
End Stop M412615	43
70121001	43
Eye Bolt M411337	21, 25, 27

F

Face Plate M413089*	9
M413793*	11
Fan Contactor M410457	41
M410529	41
M412404	43
M413614	41
Filter H96362264	39
Finger Guard M412366	43
Flange Bearing H8762501H	29
Flanges M414319	37
Front Panel M412948*	15
M412949	15
M413178*	15
M413276	15
M414256*	15
M414257	15

Fuse	
M413118	7
M413621	43
M413889	43
Fuse Holder	
91024P	7
Fuse Holder Body	
502591	43
Fuse Holder Carrier	
502811	43

G

Gas Conversion Kit	
M4591P3	37
M4592P3	37
Gas Pipe	
M413022	37
Gas Valve	
M412362P	37
M412363P	37
M412364	37
M413465	37
M413466P	37
M413469	37
M413470P	37
M414288	37
Graphic Panel	
M411575	5
M411577	5
M412964	5
M413418	11
M413420	11
M413422	11
M413424	11
M413426	11
Graphics Panel	
M411572	7
M411574	7
M412965	7
Ground Buss	
M412656	43
Gusset	
M412979	19
M412980W	19

H

Handle	
M412370	43
Harness	
M413146	9
High Limit Thermostat	
M411404	37
M413988	37
M413989	37
431177	37
High Voltage Lead	
M412991	37
M414286	37
Hinge Pin	
M410029	15
M412749	15

Hole Plug	
M410665	9
Housing Cover	
M413201	39
44018501	39

I

Idler Housing	
M412612	31
Idler Shaft	
M414241	31
Igniter	
M406934P	37
M410905	37
Ignition Control Harness	
M413085	46
M413534	46
M414252	46
Ignition Reset Switch	
M413431	11
Instant Electronic Ignition Control	
M406789P	7
M411282	7
Insulator	
H96418728	15, 45

J

Jackshaft Assembly	
H96357751	21

K

Key	
H8752006H	25
M400993	31
M401327	31
Kickplate	
M414440	13

L

Left Drive Guard Side	
M413136	19
Light	
M400703	5, 7
M400704	5, 7
Lint Panel	
M411455*	13
M411456	13
Lint Panel Clip	
M411543	13
Lint Screen	
44039003	19
44063603	19
Lint Screen Frame	
H96362025	19
Load Ready Thermostat	
H8900530H	33

Lockwasher	
H88511118	25, 27
M400013	25, 27
M400014	21, 25, 27, 31
56552	29, 31
91200	23, 27
Lower Door Hinge	
M410031	17
M410702	17
Lower Panel Hinge	
M410042P	15

M

Main Harness	
M413107	46
M413143	46
M413533	46
M414249	46
Micro-Mounting Plate	
M413094	9
Motor Base	
M413171	25, 27
Motor Sheave	
H8752060H	27
H8752065H	27
Mounting Base Switch	
M412187	43
Mounting Bracket	
H96428008	23
430370	45
Mounting Plate	
M413091*	9
M413804	11

N

Nameplate	
M410355	13
M411563	13
M412963	13
70240901	13
Nipple	
H85101673	37
M411417	37
M413023	37
Nut	
H88412093	25, 27
H88412101	27, 35
M404993	21, 25
M412688	43
Q6163	17
20274	21, 23, 25, 27, 31
23951	13, 33, 41, 43
29786	29, 31
51236	17
70054	9, 11, 17
70142	25, 27

O

Overlay	
M410682	9

M410704	9
M412961	9

P

Push-to-Start Switch	
M400954	5

R

Relay	
M400911	5
M400912	5
M412534	43
Retainer Ring	
H88602263	21
H88603477	21
Reversing Contactor	
M410515	41
M411269P	41
M412405	43
M413615P	41
Reversing Timer	
M411683	41
Reversing/Nonreversing Switch	
M413270	7
Rib Rod	
H8830143H	35
Rib Rod Nut	
M412334	35
Right Drive Guard Side	
M413137	19
Rivet	
M400713	9
Roller Catch with Strike	
H87020202	13

S

Screw	
H88001565	25
H8800901H	29, 31
H88012034	23
H88110267	15
H88129648	15, 17
H88213996	23
M400044	13, 17, 33, 41, 43
M400056	25, 27
M400072	5, 7, 15
M400664	9, 11
M401902	5, 7, 9, 11, 19
M401938	45
M409385	17, 31
M411052	5
M411165	23
M411267	13, 15
M412531	15
M413528	27
M414504	13
22688	21, 25, 27
33562	41
430497	19, 33, 37
430757	13

501086	43
51778	41
51780	5, 43
62588	41
70187202	31
Sensor Wire	
M414287	37
Shaft Collar	
M414451	39
Sheave	
H8752251H	21
Shut-Off Valve	
M413017	37
Spacer	
M401402	35
M413252	9
Spring	
M400401	31
Spud Holder	
M411736	37
Steam Coil	
M409833	39
M409834	39
Steam Solenoid Valve	
M413295P	39
M413298P	39
M413445	39
M413446	39
70205601	39
Step Pulley	
H96428024	21
Step Pulley Bearing	
H87672374	21
M414367	21
Stove End Gasket	
M411505	37
Stove High Limit Harness	
M413041	46
Stove Partition Gasket	
M411506	37
Switch	
M413270	9
431431	45
44021701	45
Switch Plate	
M413236	9

T	
Taper Bushing	
H87529111	25
Tee	
M413020	37
Temperature Knob	
M411344	7
M411345	7
Terminal Block	
M405363	7, 41
M405364	41
M412631	43
M412632	43
Terminal Block Fuse Holder	
M412538	43

Terminal Strip	
H83103416	41
Thermistor	
M414704	19
Thermistor Cable	
M413245	19
M413552	19
Thermostat	
M411333P	7
Timer Controls Harness	
M413055	46
Timer Knob	
M400773	5
M410927	5
Top Access Panel	
M412950*	13
M412951	13
Top Drive Guard	
M413138	19
Transformer	
M401391P	41
M413100	41
M414228P	41
M414229	43
M414229P	41
Transformer Harness	
M412641	46
M413087	46
M414028	46
Trunnion Assembly	
H96367537	35
Trunnion Bearing	
H87625430	23
Tube	
H96428479	25
H96428487	21
Twin Nut	
M400979	15, 45

U

U-Clip	
H8841927H	13
M400984	19
Union	
M411419	37
Upper Door Hinge	
M410030	17
M410701	17
Upper Panel Hinge	
M410041P	15

V

Vane	
430372	45

W

Warning Label	
M410892	15
430527	15

431106	15
Washer	
M400080	25, 27, 31
M400081	21, 23
M400671	15
Q6712	27
Wire Harness	
M413041	37
