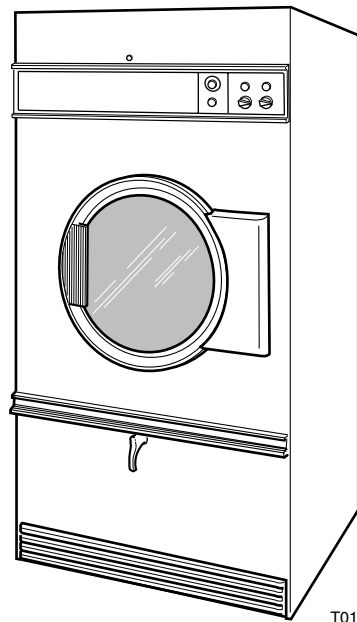


# Drying Tumblers

75 Pound Capacity

See Page 3 for Model Numbers



T012c



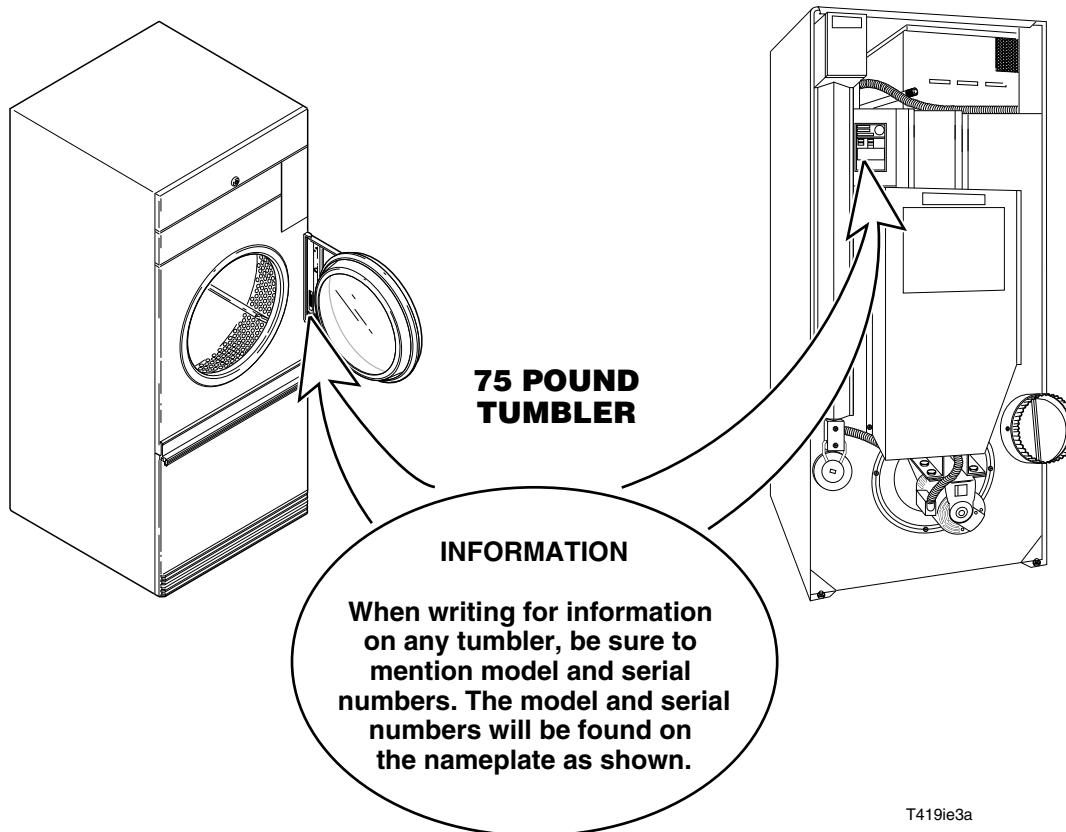
# Table of Contents

Title	Page
Model Identification .....	3
Parts Ordering Information .....	3
Control Panel Assembly .....	4
MT Control Panel Assembly .....	6
Control Panel Assembly .....	8
Coin Meter .....	10
Coin Vault and Coin Drawer .....	12
Micro Control For On-Premise Laundry Models .....	14
Micro Control (24 Volts) .....	16
Control Box Area .....	18
Access Panel and Top Cover .....	20
Front Panel and Door .....	22
Door Switch (EU Models) .....	24
Panels, Lint Hood Assembly and Lint Screen.....	26
Cylinder and Trunnion Assemblies .....	28
Trunnion Housing and Sprockets .....	30
Idler Drive Components For Belt/Chain Drive.....	32
Idler Drive Components For Belt/Belt Drive .....	34
Idler Housing Assembly For Belt/Belt Drive Nonreversing .....	36
Idler Drive Components For Belt/Chain Drive Reversing Models .....	38
Drive Components For Belt/Belt Drive Reversing Models .....	40
Idler Housing Assembly For Belt/Belt Drive Reversing Models .....	42
Fan and Motor Components .....	44
Fan and Motor Components .....	46
Cylinder Drive Motor and Components.....	48
Cylinder Drive Motor and Components.....	50
Air Flow Switch Assembly.....	52
Burner Assembly .....	54
Gas Burner Components .....	56
Gas Valve Components.....	58
Gas Valve Components.....	60
Gas Valve Assembly for Dungs/B-M System .....	62
Gas System .....	64
Burner Assembly for Australian Models.....	66
Electric Heater Components and Thermostat.....	68
Electric Heater Components and Thermostat.....	70

© Copyright 1999, Alliance Laundry Systems LLC

All rights reserved. No part of the contents of this book may be reproduced or transmitted in any form or by any means without the expressed written consent of the publisher.

Electric Heat Contactor Box Components .....	72
Junction Box .....	74
Contactor Box Assembly for OM Models .....	76
Contactor Box Assembly for OM Models .....	78
Contactor Box Assembly for OM Models .....	80
Contactor Box Assembly for OM Reversing Models.....	82
Contactor Box Assembly for OM Reversing Models.....	84
Contactor Box Assembly for Gas Manual Timer Models .....	86
Contactor Box Assembly for Steam Manual Timer Models .....	88
Contactor Box Assembly for Steam Manual Timer Models .....	90
Contactor Box Assembly for Electric Coin Drop and Manual Timer Models.....	92
Accessory Box - Electric OM Models.....	94
Steam Heater and Valve.....	96
Cabinet High Limit Thermostat and Backdraft Damper .....	98
Warning Decals .....	100
Manual Dual Timer Control Panels .....	102
Coin Meter and Drop Assemblies and Front Plates.....	103
Burner Orifice.....	104
Motor Capacitors for Fan Motors (Nonreversing) .....	105
Fan Motors.....	106
Fan Motors and Wire Harnesses .....	107
Wire Harness Table .....	108
Parts Index.....	113



## Model Identification

Information contained in this manual is applicable to these tumbler models:

75CG	75EG	75FG	75CE	75CSH	75CSL	634
DCB75CG	DTB75EG	DTB75FG	DCB75CE	DCB75CSH	DCB75CSL	DTB634OM
DTB75CG	JT75EG		DTB75CE	DTB75CSH	DTB75CSL	STB634OM
JCB75CG	JTB75EG		JCB75CE	JCB75CSH	JCB75CSL	
JT75CG	STB75EG		JT75CE	JTB75CSH	JTB75CSL	
JTB75CG			JTB75CE	JT75CSH	JT75CSL	
SCB75CG			SCB75CE	SCB75CSH	SCB75CSL	
ST75CG			STB75CE	STB5CSH	STB75CSL	
STB75CG			ST75CE	ST75CSH	ST75CSL	

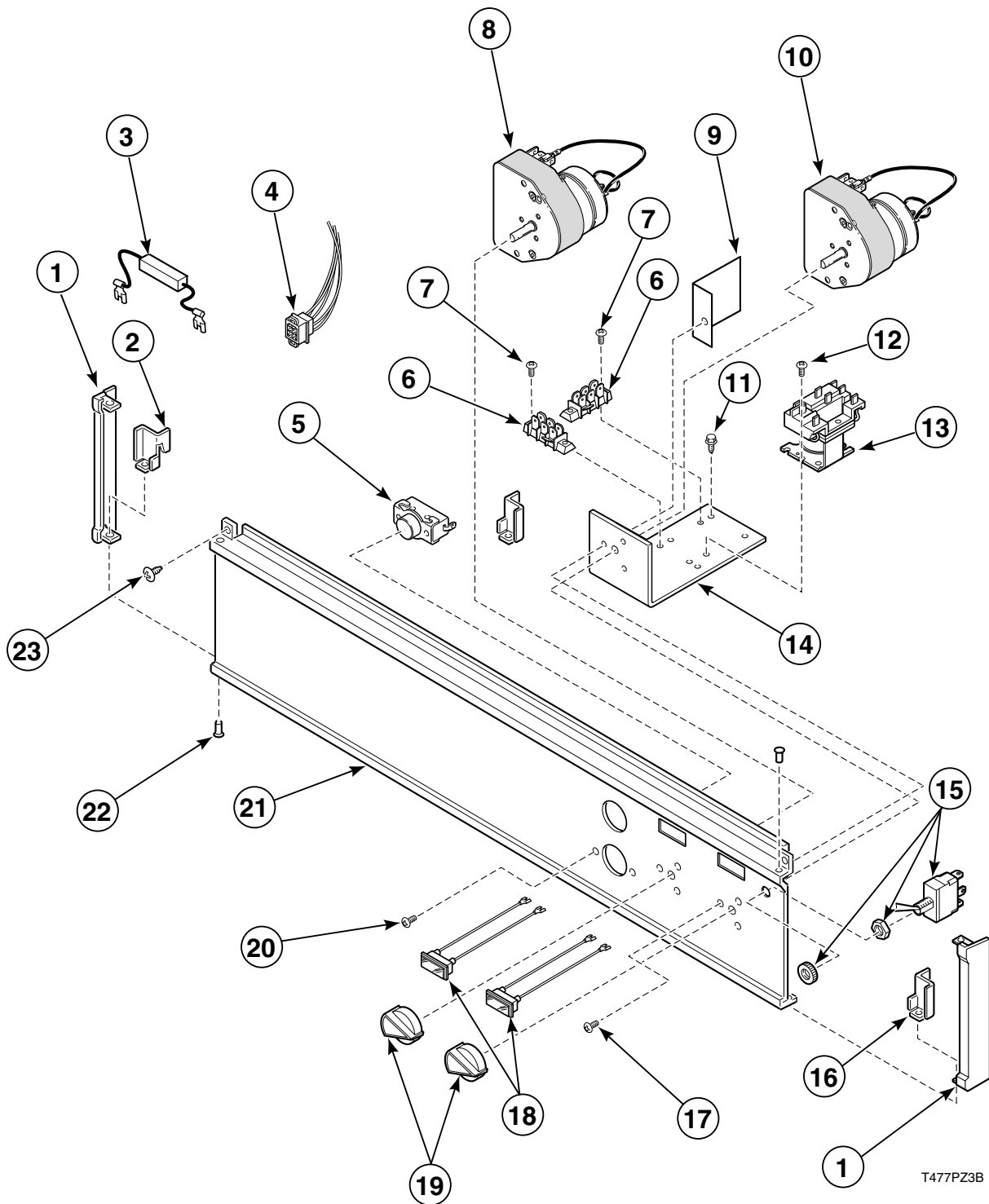
## Parts Ordering Information

If literature or replacement parts are required, contact the source from whom the machine was purchased or contact Alliance Laundry Systems at (920) 748-3950 for the name and address of the nearest authorized parts distributor.

For technical assistance, call (920) 748-3121.

# Control Panel Assembly

Manual Dual Timer (MT) Models



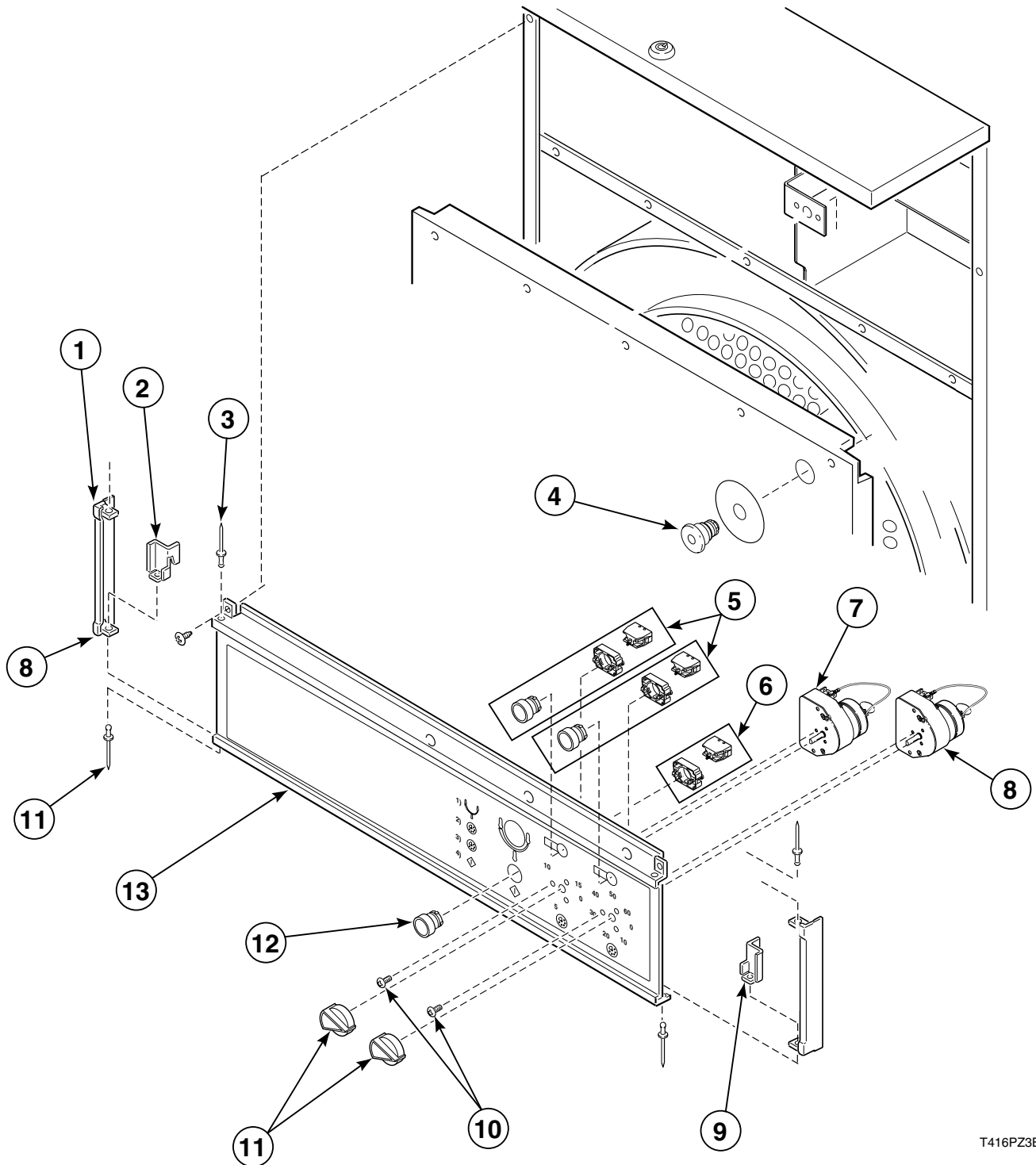
# Control Panel Assembly

Manual Dual Timer (MT) Models

REF	PART #	DESCRIPTION	COMMENTS
1	M401328	End Cap	
2	M401301	Retainer	Left
3	M410992	Resistor	Robert Shaw Mallory Timer, 208/240 Volts, 60 Hertz Control Circuit Only
	M400527	Resistor	Greenwald Timer, 208/240 Volts Control Circuit Only
4		Wire Harness, Control Panel	See Page 81
5	M400954	Switch, Push-To-Start	
6	M400000	Terminal Block	208-240 Volts, 50-60 Hertz Control Circuit
7	M400071	Screw	
8	M410900P	Timer, Cool-Down 15 Minutes	120 Volts, 60 Hertz Control Circuit
	M410902P	Timer, Cool-Down 15 Minutes	220 Volts, 50 Hertz Control Circuit
9	M406144	Barrier	
10	M410901P	Timer, Drying 60 Minutes	120 Volts, 60 Hertz Control Circuit
	M410903P	Timer, Drying 60 Minutes	220 Volts, 50 Hertz Control Circuit
11	M402917	Screw, Ground	
12	51780	Screw	
13	M400912	Relay	120 Volts, 60 Hertz Control Circuit
	M400911	Relay	208-240 Volts, 50-60 Hertz Control Circuit
14	M401318	Bracket	
15	M400945	Toggle Switch, Reversing/ Nonreversing	Reversing Models Only
	H96422431	Reversing Switch, Rocker	Reversing Models Only
16	M401302	Retainer	Right
17	M411052	Screw	
18	M400703	Light	120 Volts, 60 Hertz Control Circuit
18	M400704	Light	208-240 Volts, 50-60 Hertz Control Circuit
19	M400773	Knob, Timer - Black with Silver Arrow	ST75, STB75, DT75, DTB75, SCB and DCB Models
	M410927	Knob, Timer - Cocoa with White Dot	JT75 and JDB Models
20	M400072	Screw	
21		Control Panel With End Caps	See Page 76
		Control Panel Complete	See Page 76
22	M405750	Pop Rivet	
23	33562	Screw	

# MT Control Panel Assembly

(Manual Timer EU Models)



T416PZ3B



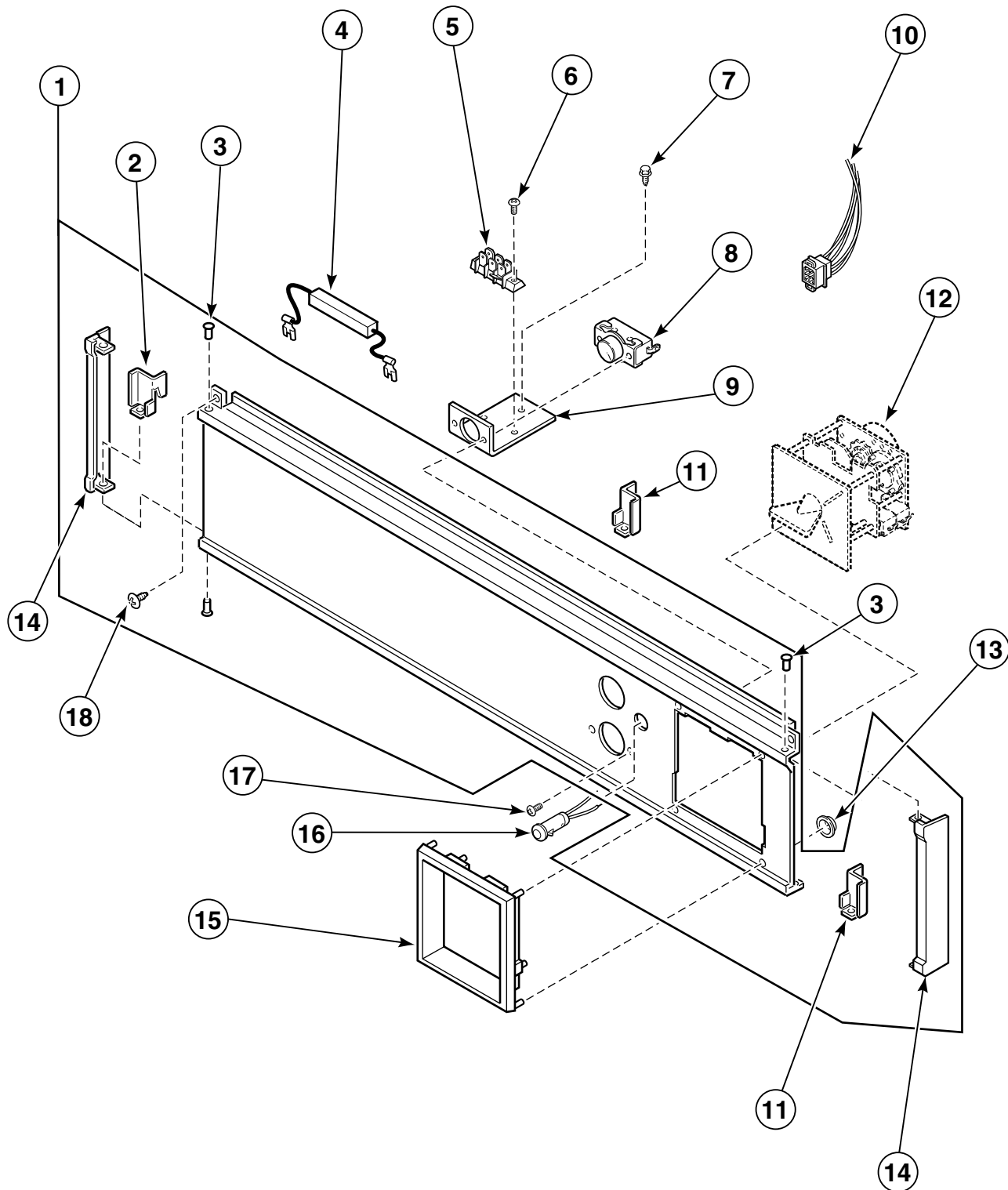
# MT Control Panel Assembly

(Manual Timer EU Models)

REF	PART #	DESCRIPTION	COMMENTS
1	M401328	Cap, End	
2	M401301	Retainer, Left	
3	M405750	Rivet, Pop	
4	M412232	Switch, Emergency Stop	
5	M412234	Light, Indicator	
6	M412230	Switch, Push-to-Start	
7	M412080	Timer, Drying - 24V	60 Minute
8	M412079	Timer, Cooling - 24V	15 Minute
9	M401302	Retainer, Right & Center	
10	M411052	Screw	
11	M400773	Knob, Timer	All SCB And DCB Models
	M410927	Knob, Timer	All JCB Models
12	M412233	Button, Switch - Push-to-Start	
13	M414203	Control Panel w/End Caps	SC75CG/CE/CSH
	M414204	Control Panel w/End Caps	Reversing SC75
	M414207	Control Panel w/End Caps	JC75
	M414208	Control Panel w/End Caps	Reversing JC75
	M413320	Control Panel w/End Caps	Reversing DC75
	M413319	Control Panel w/End Caps	DC75
REF	M412231	Button, Emergency Stop	

# Control Panel Assembly

Rotary Coin Drop Models



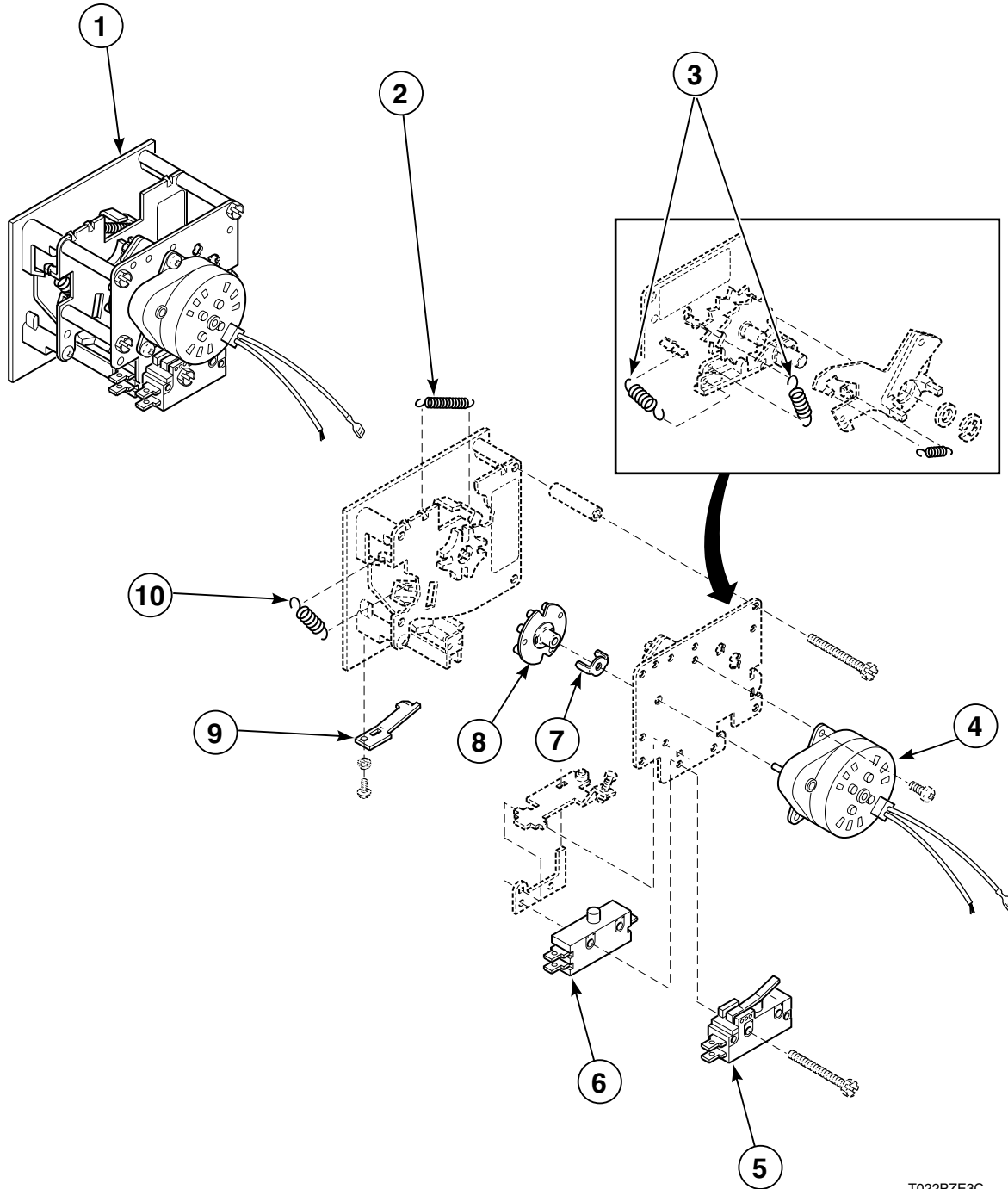
T020PZ3D

# Control Panel Assembly

Rotary Coin Drop Models

REF	PART #	DESCRIPTION	COMMENTS
1		Control Panel	Refer to Table on page 102
2	M401301	Retainer	Left
3	M405750	Pop Rivet	
4	M400527	Resistor	For 208-240 Volt, 60 Hertz Greenwald Timers
5	M400000	Terminal Block	
6	M400071	Screw	
7	M402917	Ground Screw	
8	M400954	Switch, Push To Start	
9		Bracket	No Longer Available
10	M403924	Wire Harness	Refer to Table page 108
11	M401302	Retainer	Right
12		Coin Drop	Refer to Table
13	M400675	Speed Nut	
14	M401328	End Cap	
15	M403414	Shadow Box	
16	M404151	Light	120 Volt Control Circuit
	M404852	Light	208-240 Volt Control Circuit
17	M400072	Screw	
18	33562	Screw	

# Coin Meter

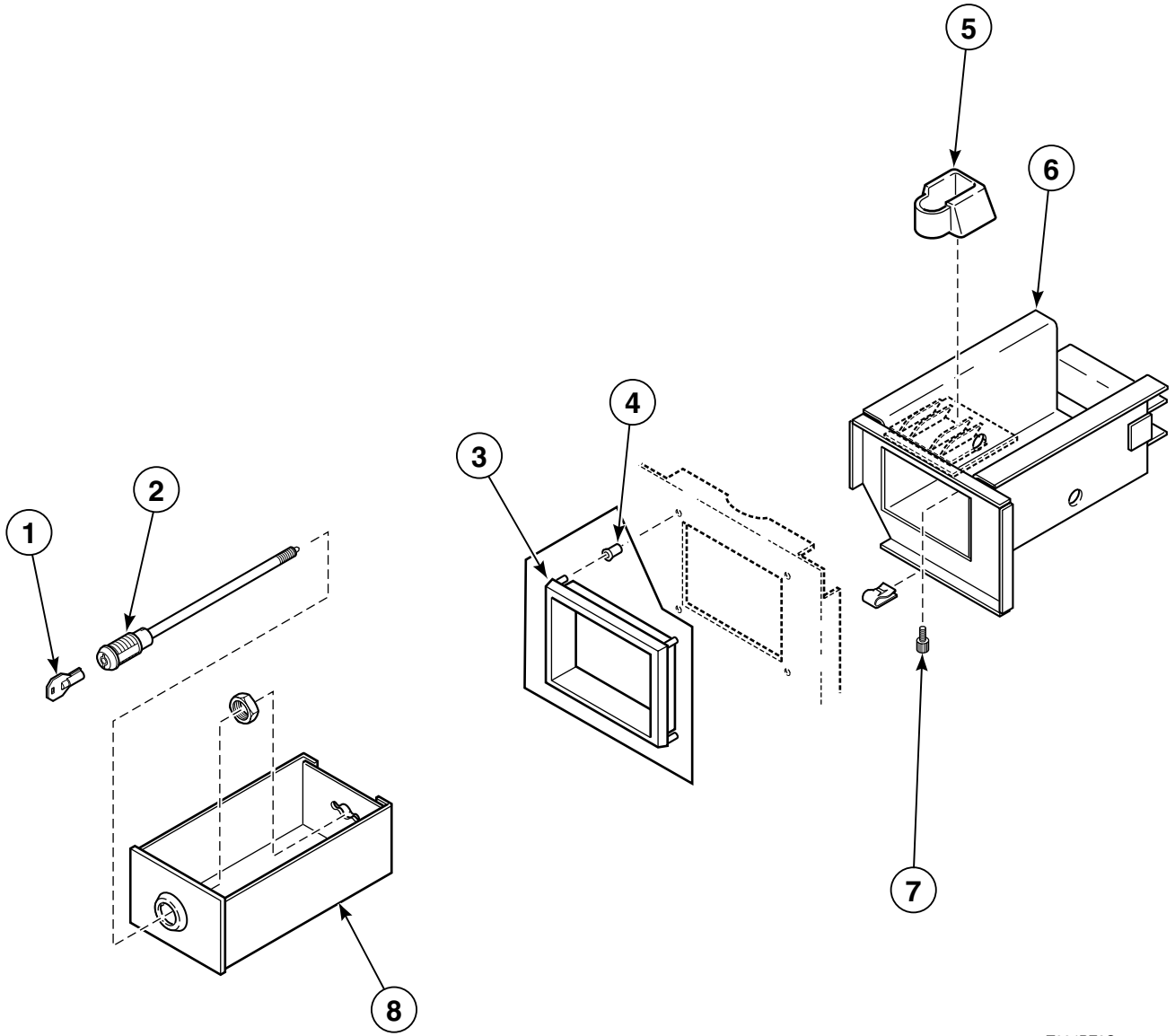


T022PZE3C

## Coin Meter

REF	PART #	DESCRIPTION	COMMENTS
1	M405138	Single Coin Drop	USA (.25¢) 120 Volt, 60 Hertz
	M402508-14	Single Coin Drop	Japan (100 Yen) 120 Volt, 60 Hertz
	M402580-5	Single Coin Drop	Token (STD118-1) 120 Volt, 60 Hertz
	M402508-31	Single Coin Drop	Token (STD118-5) 120 Volt, 60 Hertz
2	M405138B	Spring, Return	
3	M402455	Spring	
4	M400609	Timer Motor	1/60 RPM, 120 Volt, 60 Hertz
	M400611	Timer Motor	1/60 RPM, 240 Volt, 60 Hertz
	M410789	Timer Motor	1/30 RPM, 240 Volt, 50 Hertz
5	M400947	Switch, Heat "B"	
6	M400001	Switch, Run "A"	
7	M400754	Fork, Timing Cam	
8	M400732P	Timing Cam with Fork	10 Pin
	M400733P	Timing Cam with Fork	12 Pin
	M400734P	Timing Cam with Fork	2 Pin
	M400735P	Timing Cam with Fork	3 Pin
	M400736P	Timing Cam with Fork	4 Pin
	M400737P	Timing Cam with Fork	5 Pin
	M400738P	Timing Cam with Fork	6 Pin
	M400739P	Timing Cam with Fork	7 Pin
	M400740P	Timing Cam with Fork	8 Pin
	M400741P	Timing Cam with Fork	9 Pin
9	M406297	Retainer	
10	M405138A	Spring, Coin Carrier	

# Coin Vault and Coin Drawer



T024PZ3C

## Coin Vault and Coin Drawer

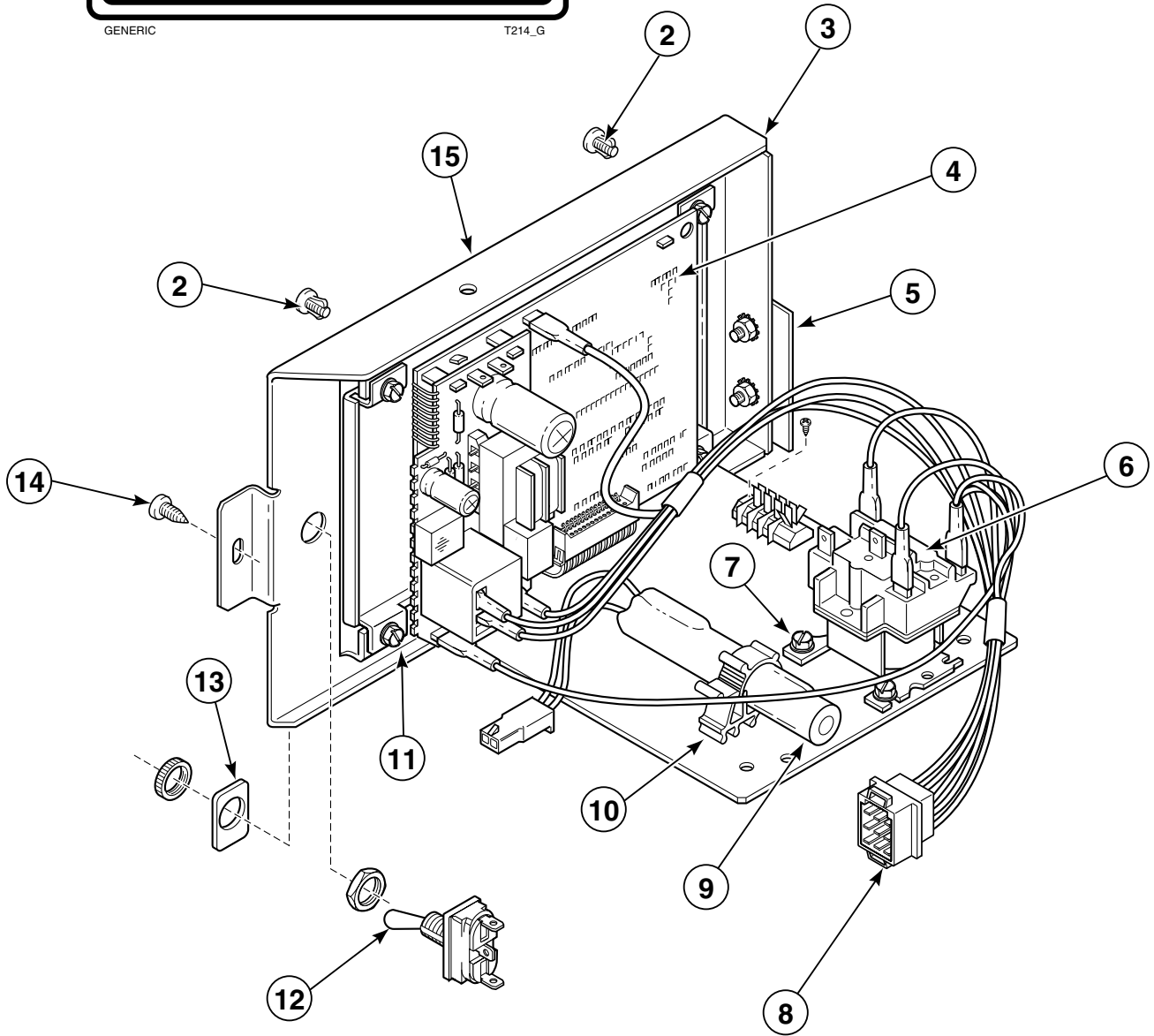
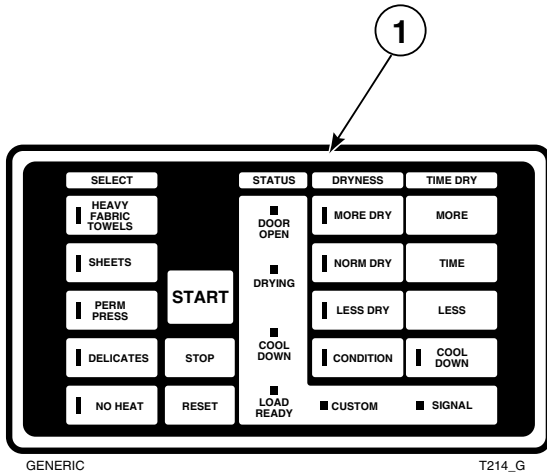
REF	PART #	DESCRIPTION	COMMENTS
1	M401701	Key For Coin Drawer Locks	Specify HMX Key Code
2	M401581	Lock For Short Coin Drawer	Specify HMX Key Code
	M412004	Lock For Long Coin Drawer	Specify HMX Key Code
3	M400131P	Shadow Box, Coin Drawer With Clips	
4	M400972	Barrel Clip	
5	M411882	Coin Chute	
6	M400495L	Assembly, Coin Vault For Short Drawer	
	M412085L	Assembly, Coin Vault For Long Drawer	
7	M400655	Screw	
8	M402582*	Coin Drawer	Short
	M411890*	Coin Drawer	Long

\* Add letter to designate color.

V – Orange	B – Battina Green
K – Red	H – Harvest Gold
L – Almond	X – Electric Blue
W – White	P – Turquoise

# Micro Control For On-Premise Laundry Models

75CG-MM and 634-OM



T327PZ3D



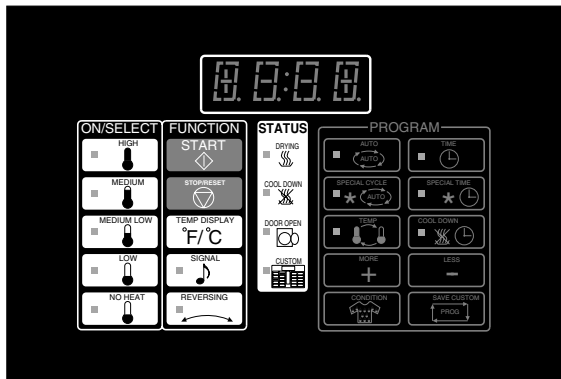
# Micro Control For On-Premise Laundry Models

75CG-MM and 634-OM

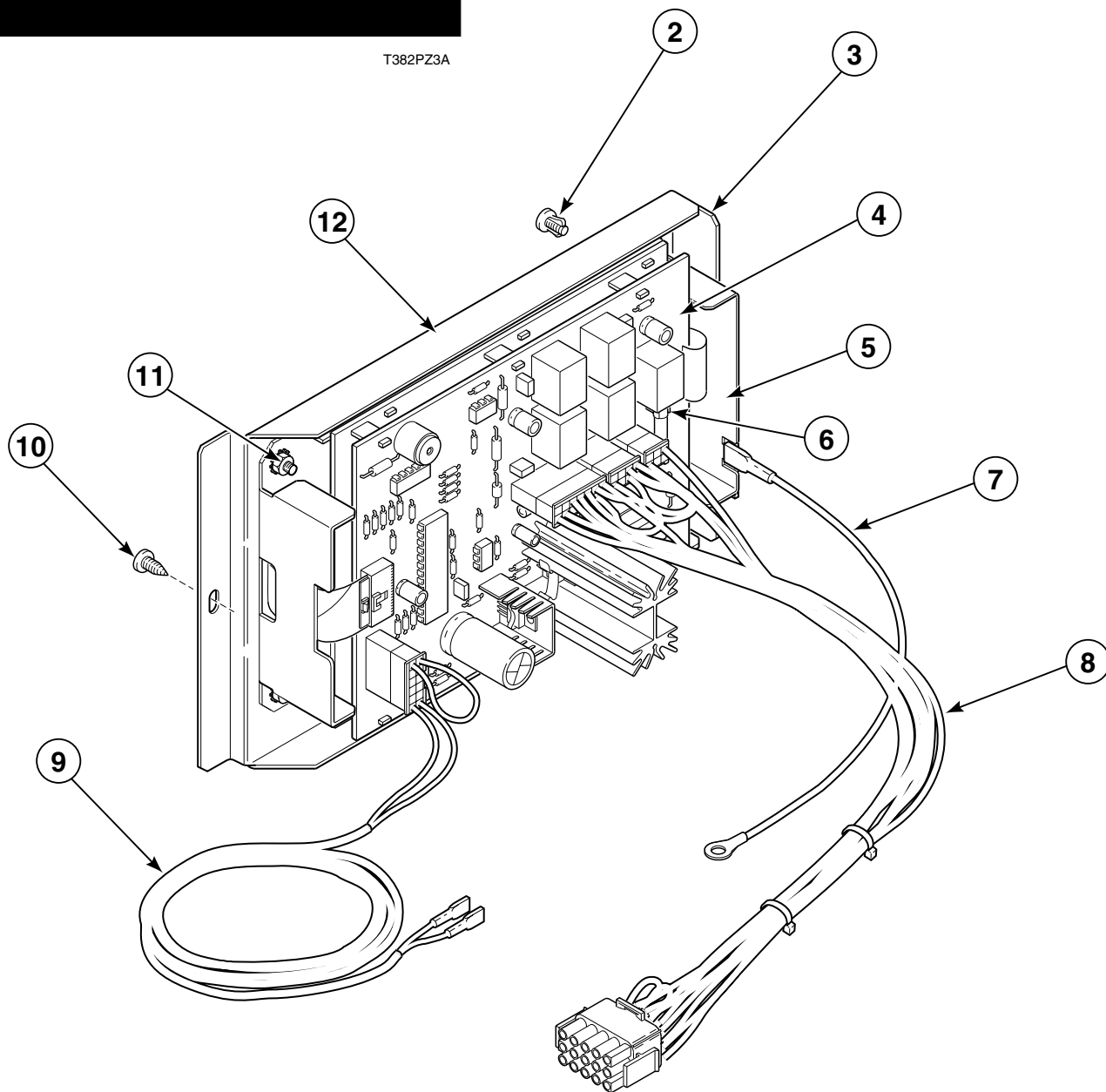
REF	PART #	DESCRIPTION	COMMENTS
1	M410682	Touch Pad	ST Models
	M410704	Touch Pad	JT Models
	M412961	Touch Pad	DT Models
2	M410665	Plug	
3	M410800	Mounting Plate	
4	M410786	Electronic Control	120 Volts
5	M411390	Hinge	
6	M410529	Relay	120 Volts, 1 Phase Only
7	M400044	Screw	
8	M411076	Control Harness	1 Phase Nonreversing
	M411073	Control Harness	3 Phase Nonreversing
	M411182	Control Harness	3 Phase Reversing
9	M410826	Battery	
10	M411231	Clamp	
11	M410799	Screw	
12	M400945	Switch, Toggle	Reversing Only
	M413270	Switch, Rocker	Reversing Only
13	M410854	Switch Plate	Reversing Only
14	M400664	Screw	
15	M413397	Bracket	
REF	M410708	Sensor Cable	Not Shown

# Micro Control (24 Volts)

Models 75CG-OM and 634-OM



T382PZ3A



T382PZ3C

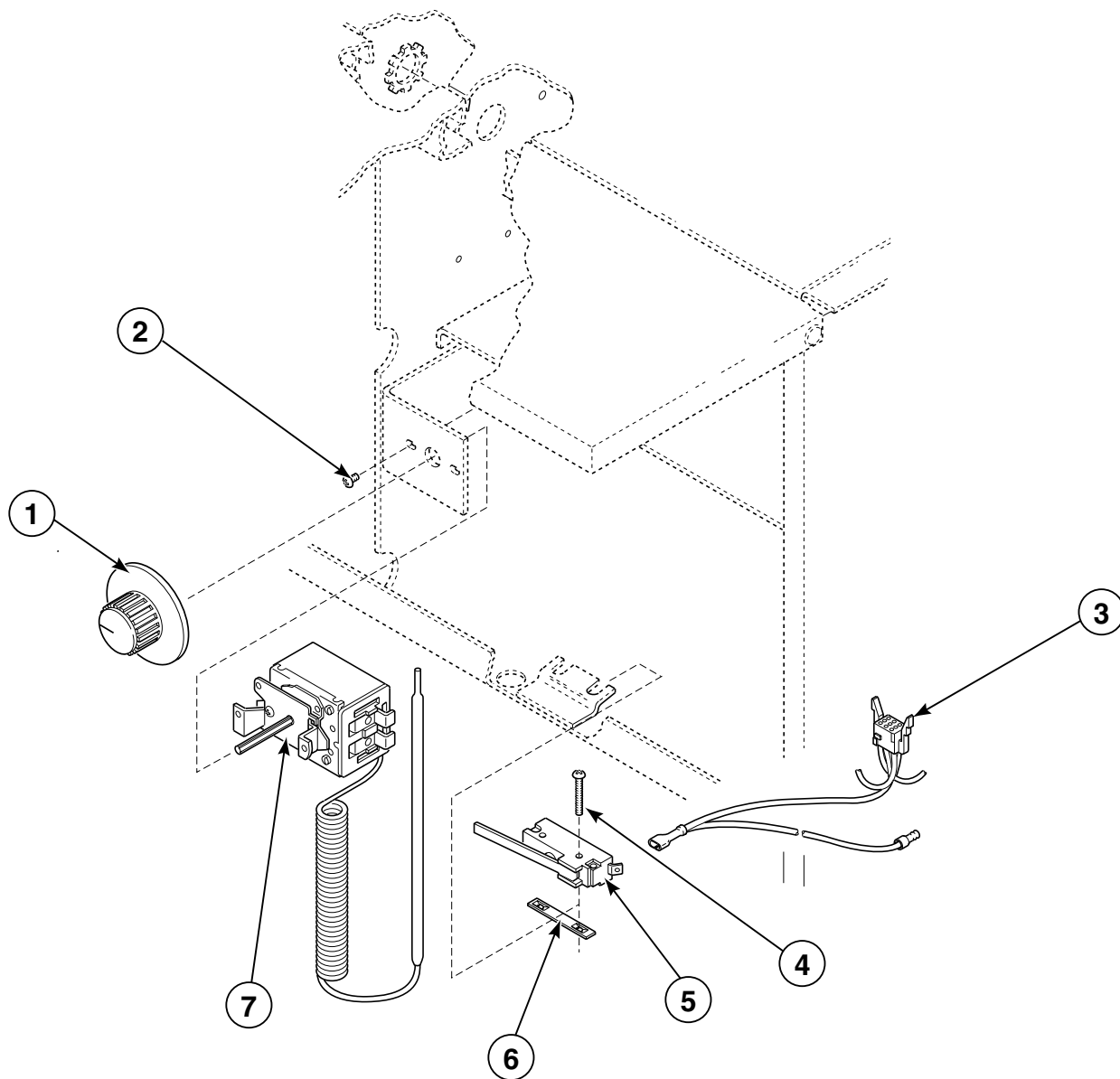
# Micro Control (24 Volts)

Models 75CG-OM and 634-OM

REF	PART #	DESCRIPTION	COMMENTS
1	M413417	Overlay	STB Nonreversing
	M413418	Overlay	STB Reversing
	M413421	Overlay	JTB Nonreversing
	M413422	Overlay	JTB Reversing
	M413425	Overlay	DTB Nonreversing
	M413426	Overlay	DTB Reversing
	M413419	Overlay	SCB/DCB NonReversing (ECOM)
	M413420	Overlay	SCB/DCB Reversing (ECOM)
	M413423	Overlay	JCB NonReversing (ECOM)
	M413424	Overlay	JCB Reversing (ECOM)
2	M410665	Plug	
3	M413738	Mounting Plate Assembly	Includes Item 12
4	M413498P	Electronic Control	24 Volts, 50-60 Hertz
5	M411390	Hinge, Female	
6	M414103	Fuse	1.25 Amps
7	M412645	Ground Wire	
8	M413677	Wire Harness	
9	M413560	Thermistor Cable	
10	430497	Screw	
11	70054	Nut	
12	M413427	Plate, Micro Mounting	Does not include hinge or hardware

# Control Box Area

Gas Manual Timer and Coin Drop Models



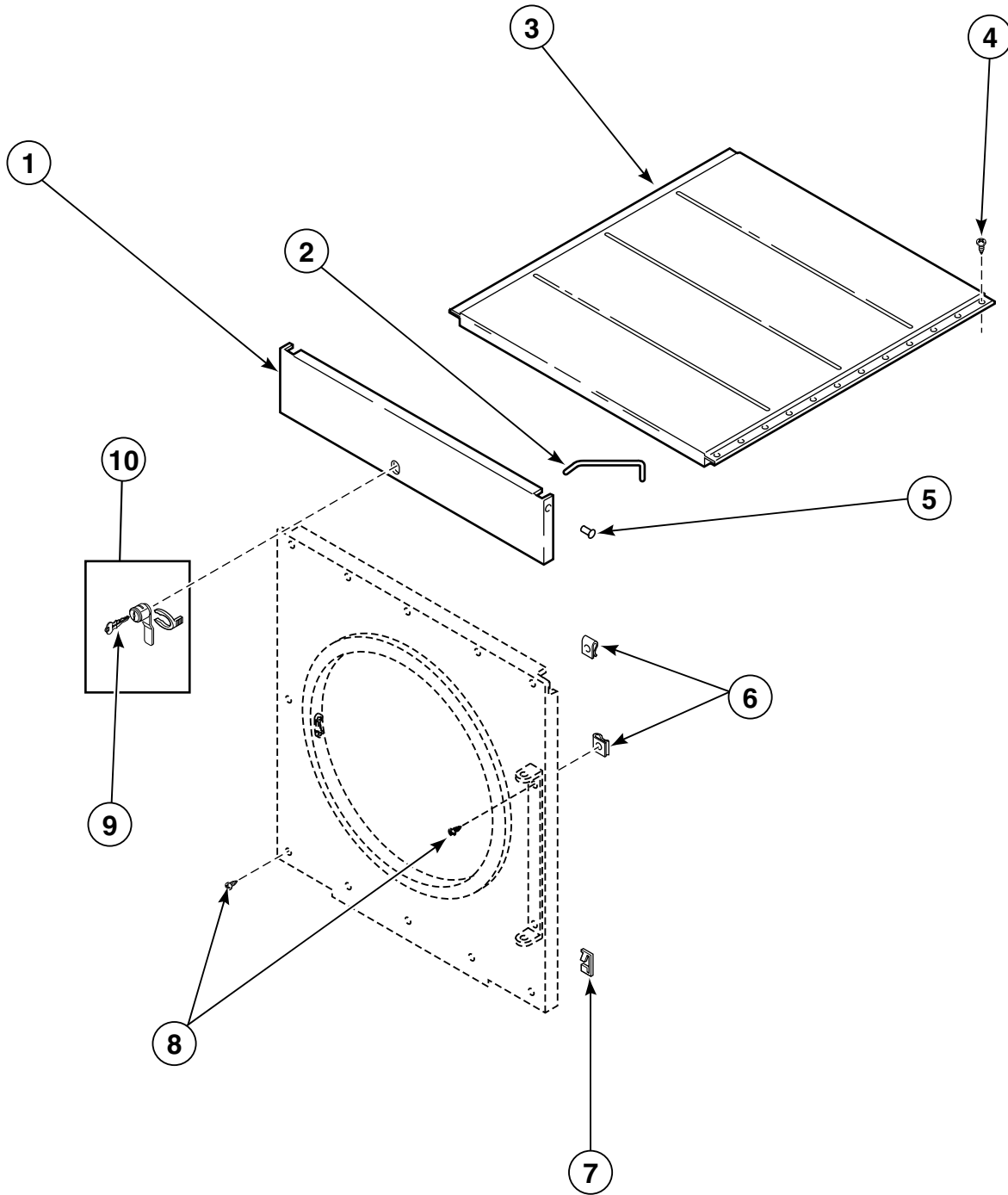
T027PZ3B

# Control Box Area

Gas Manual Timer and Coin Drop Models

REF	PART #	DESCRIPTION	COMMENTS
1	M400777	Knob, Temperature	ST, STB, DT and DTB Models
	M410928	Knob, Temperature	JT Models
2	M400072	Screw	
3		Main Wire Harness	Refer to Page 81
4	Q6516	Screw	
5	M400952	Door Switch	
6	M400981	Twin Speed Nut	
7	M406959	Thermostat, Adjustable Bulb	

# Access Panel and Top Cover



T029PZ3B

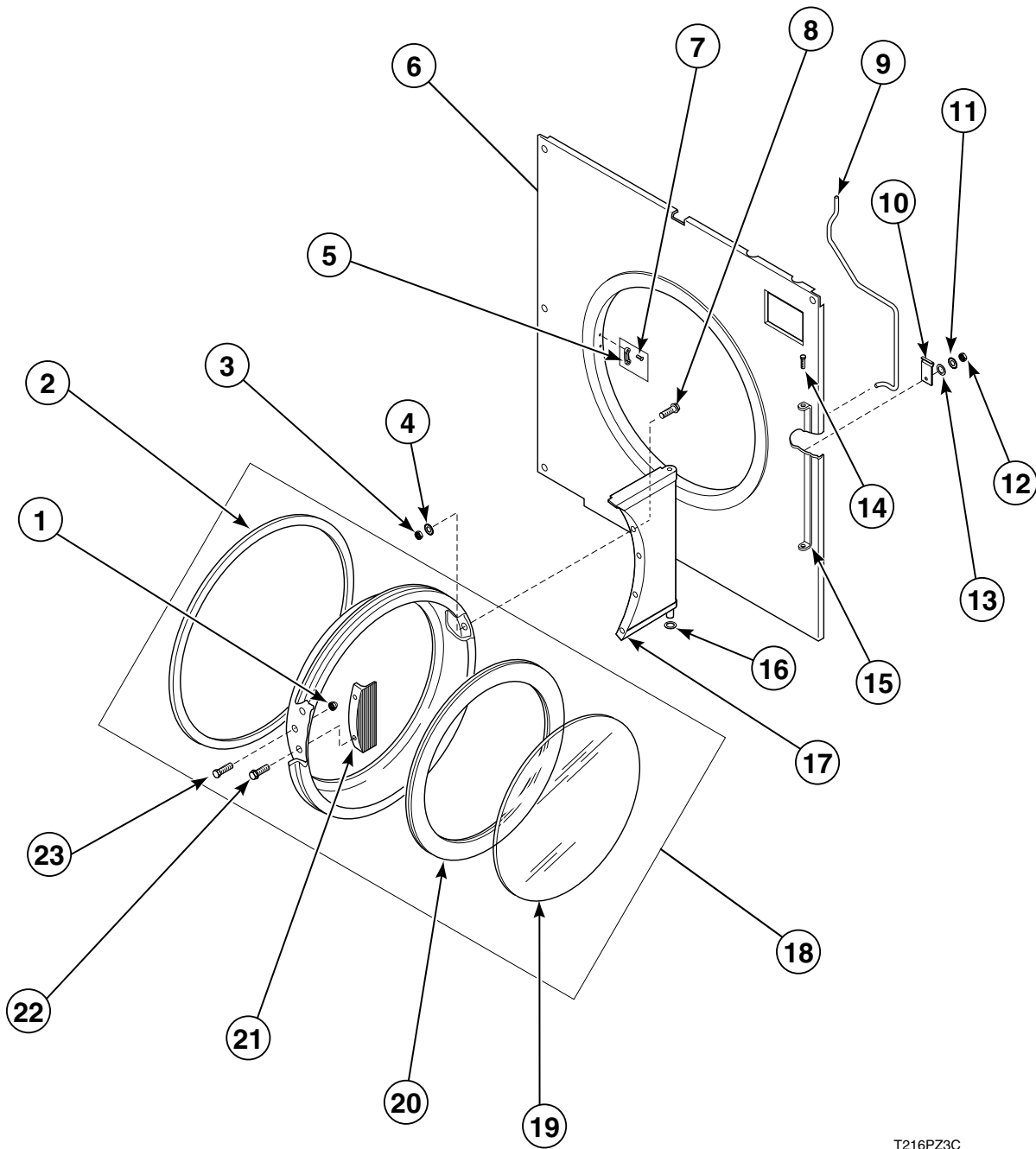
## Access Panel and Top Cover

REF	PART #	DESCRIPTION	COMMENTS
1	M414350	Top Access Panel - Stainless Steel	Manual Dual Timer (MT) and Coin Meter (CD) Models
	M414349*	Top Access Panel - Painted/Textured	Manual Dual Timer (MT) and Coin Meter (CD) Models
	M410801*	Top Access Panel - Painted/Textured	OPL Micro Control Models
	M410802	Top Access Panel - Stainless Steel	OPL Micro Control Models
	M413634*	Top Access Panel - Painted	DC/JC/SC Gas Models
	M402719*	Top Access Panel - Painted	DC/JC/SC Electric and Steam Models
2	M400604	Support Rod	
3	M403385	Top Cover	
4	430497	Screw	
5	M400713	Drive Rivet	
6	M400975	Clip	
7	M400984	Clip	
8	M401902	Screw	
9	M401680	Key	HMV10
	M401677	Key	HMV7
10	M404101	Lock and Key	Manual Dual Timer (MT) Models
	M410700	Lock and Key	OPL Micro Control (MM and OM) Models
REF	M410355	Nameplate	ST Microprocessor Models
	M410988	Nameplate	JT Microprocessor Models
	M412963	Nameplate	DT Microprocessor Models

\* Add letter to designate color.

V – Orange	B – Battina Green
K – Red	H – Harvest Gold
L – Almond	X – Electric Blue
W – White	P – Turquoise

# Front Panel and Door



T216PZ3C



## Front Panel and Door

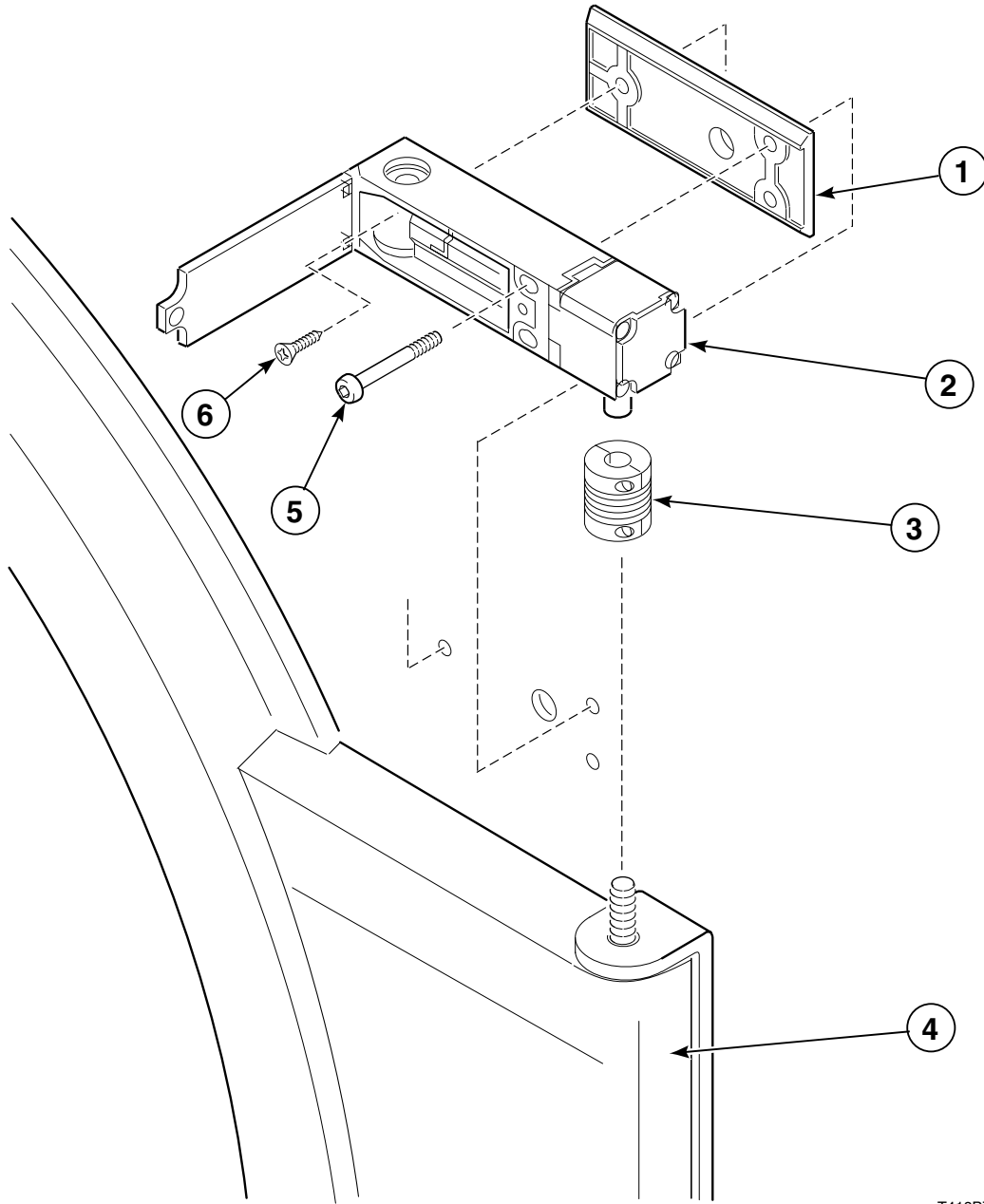
REF	PART #	DESCRIPTION	COMMENTS
1	M400645	Acorn Nut	For M400447 and M410887 Doors
2	M406129	Door Seal	
3	Q6163	Nut	
4	03815	Lockwasher	
5	M401223	Door Catch	
6	M411129*	Front Panel - Painted/Textured	
	M411132	Front Panel - Stainless Steel	
	M412792*	Front Panel - Painted	DC/JC/SC Models
	M410877*	Front Panel - Painted	Coin Models
	M410760	Front Panel - Stainless Steel	Coin Models
7	M400003	Pop Rivet	
8	M400044	Screw	
9	M400603	Door Switch Rod	
10	M400402	Spring Clip	
11	M400017	Lockwasher	
12	20275	Nut	
13	03189	Flat Washer	
14	M400653	Hinge Bolt	
15	431000*	Hinge Bracket - Painted	
	431044	Hinge Bracket - Stainless Steel	
16	M400675	Nylon Washer	
	M412530	Nylon Washer	DC/JC/SC Models
17	M402714*	Door Hinge - Painted/Textured	
	M400514	Door Hinge - Stainless Steel	
	M412382*	Door Hinge - Painted	DC/JC/SC Models
18	M400447	Door Assembly With Chrome Handle	
	M410887	Door Assembly With Logo	JT Models
	430475	Door Assembly	JCB/DCB Models
19	M400784P	Door Glass - Plain	ST, STB, DT and DTB Models
	M410885P	Door Glass With Logo	JT Models
20	M400962	Door Glass Seal	
21	M400133	Door Handle - Chrome	
	430117	Door Handle - Bar Type	ST, STB, DT and DTB Models
	M410918	Door Handle - Cocoa	JT Models
22	M409385	Screw	
23	M400661	Strike Screw	

\* Add letter to designate color.

V – Orange  
K – Red  
L – Almond  
W – White

B – Battina Green  
H – Harvest Gold  
X – Electric Blue  
P – Turquoise

# Door Switch (EU Models)

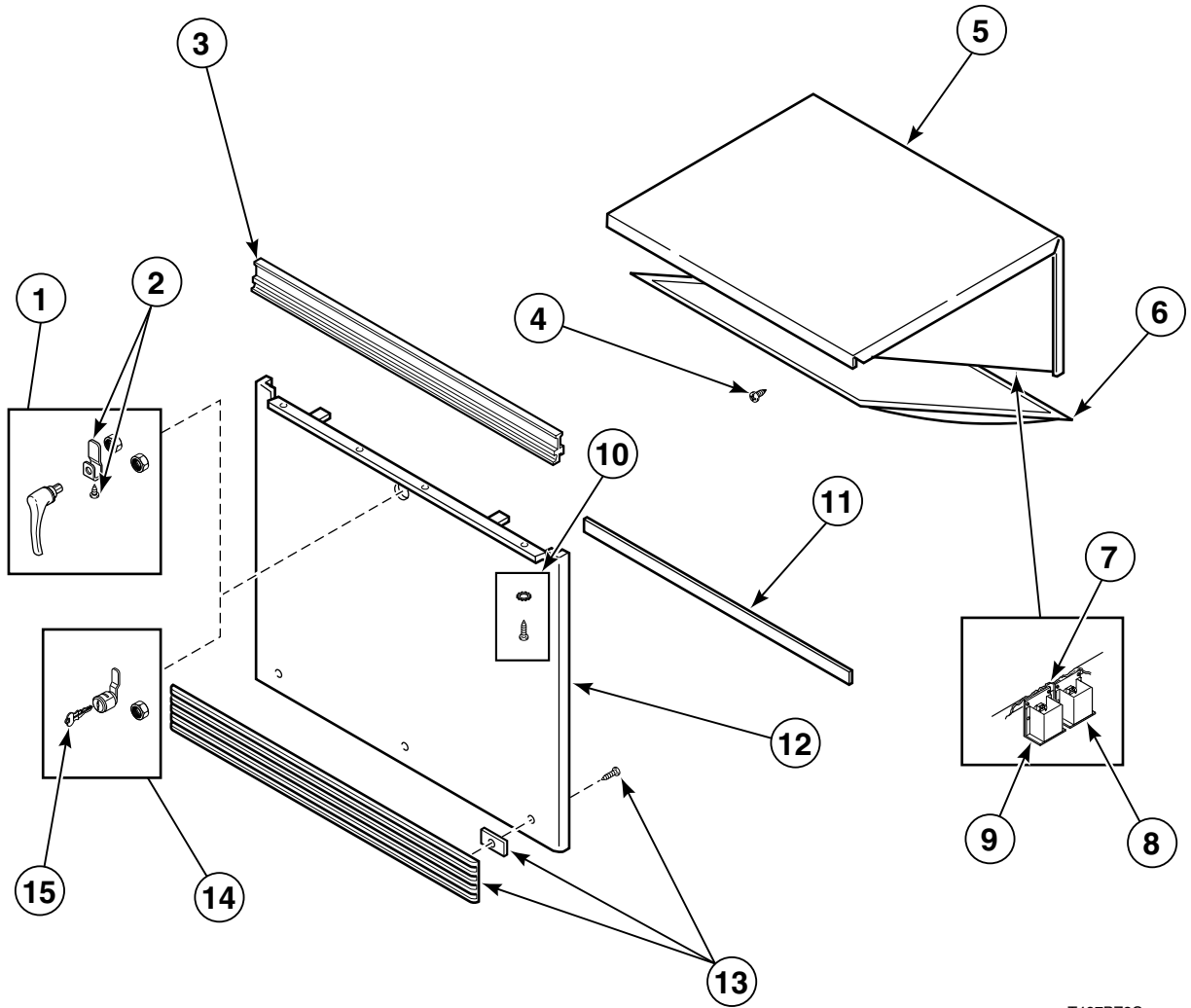


T418PZ3B

## Door Switch (EU Models)

REF	PART #	DESCRIPTION	COMMENTS
1	M412528	Base, Door Switch	
2	M412372	Switch, Door Safety	
3	M412551	Coupler, Flexible	
4	M412378*	Hinge, Door	
5	M412532	Screw	
6	M412531	Screw	

# Panels, Lint Hood Assembly and Lint Screen



T487PZ3C

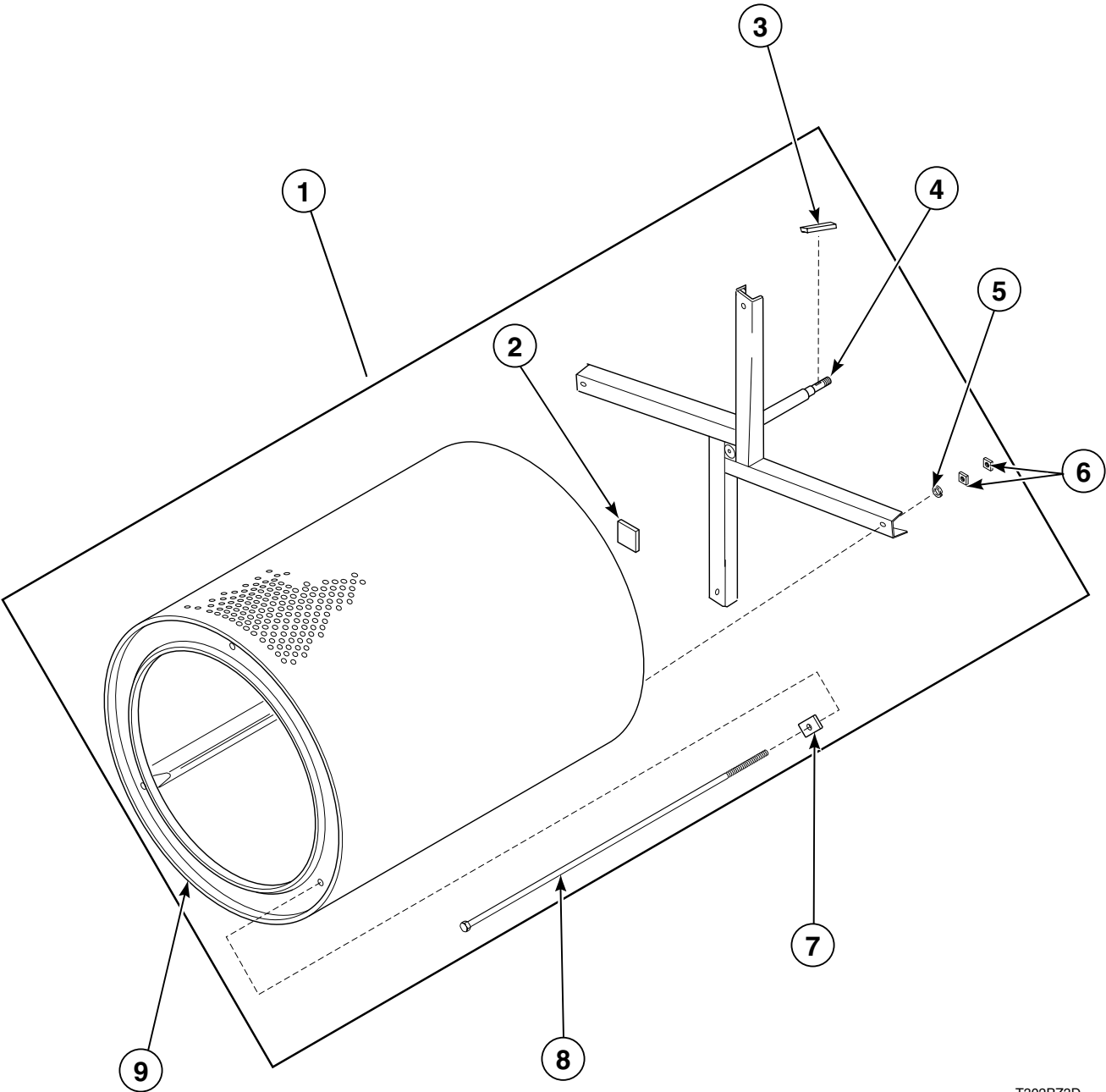
## Panels, Lint Hood Assembly and Lint Screen

REF	PART #	DESCRIPTION	COMMENTS
1	M410243	Handle Assembly	
2	M400595	Cam and Screw	
3	M400543	Bumper	Through Serial No. 729580__
	M400657	Screw, Comes With M400543	Through Serial No. 729580__ - 4 Required
	03815	Lockwasher, Comes With M400543	Through Serial No. 729580__ - 4 Required
	M410784	Bumper - Black Plastic	Starting With Serial No. 729581__ - DC/SC Models
	M410845	Bumper - Cocoa	JT Models
	M410895	Bumper	JC Models
4	M400664	Screw	
5	M400515	Lint Screen Hood	
6	M400522	Lint Screen	
7	430757	Screws For M410612	Starting With Serial No. 72958123 - 6 Required
8	M410542	High Limit Thermostat	All Except 75EG
9	M411758	Thermistor	Micro Models Only, Threads into Bracket
10	430757	Screws For M410784	Starting With Serial No. 72958123 - 4 Required
11	M400633	Bumper Insert	
12	M400464*	Lint Panel - Plain	Through Serial No. 72958023
	M402722*	Lint Panel - Textured	Through Serial No. 72958023
	M405646	Lint Panel - Stainless Steel	Through Serial No. 72958023
	M410670*	Lint Panel - Painted	JT, STB, and DTB75 Models, Starting With Serial No. 72958123
	M410671	Lint Panel - Stainless Steel	JT, STB, and DTB75 Models, Starting With Serial No. 72958123
	M413488*	Lint Panel - Painted	75FG and 634 Models
	M413491	Lint Panel - Stainless Steel	75FG and 634 Models
13	M414438P	Kick Plate	
14	M404101	Lock and Key	HMV10 Key Code
15	M401680	Key	HMV10
REF	M400845	Perforated Cover	Not Shown

\* Add letter to designate color.

V – Orange	B – Battina Green
K – Red	H – Harvest Gold
L – Almond	X – Electric Blue
W – White	P – Turquoise

# Cylinder and Trunnion Assemblies

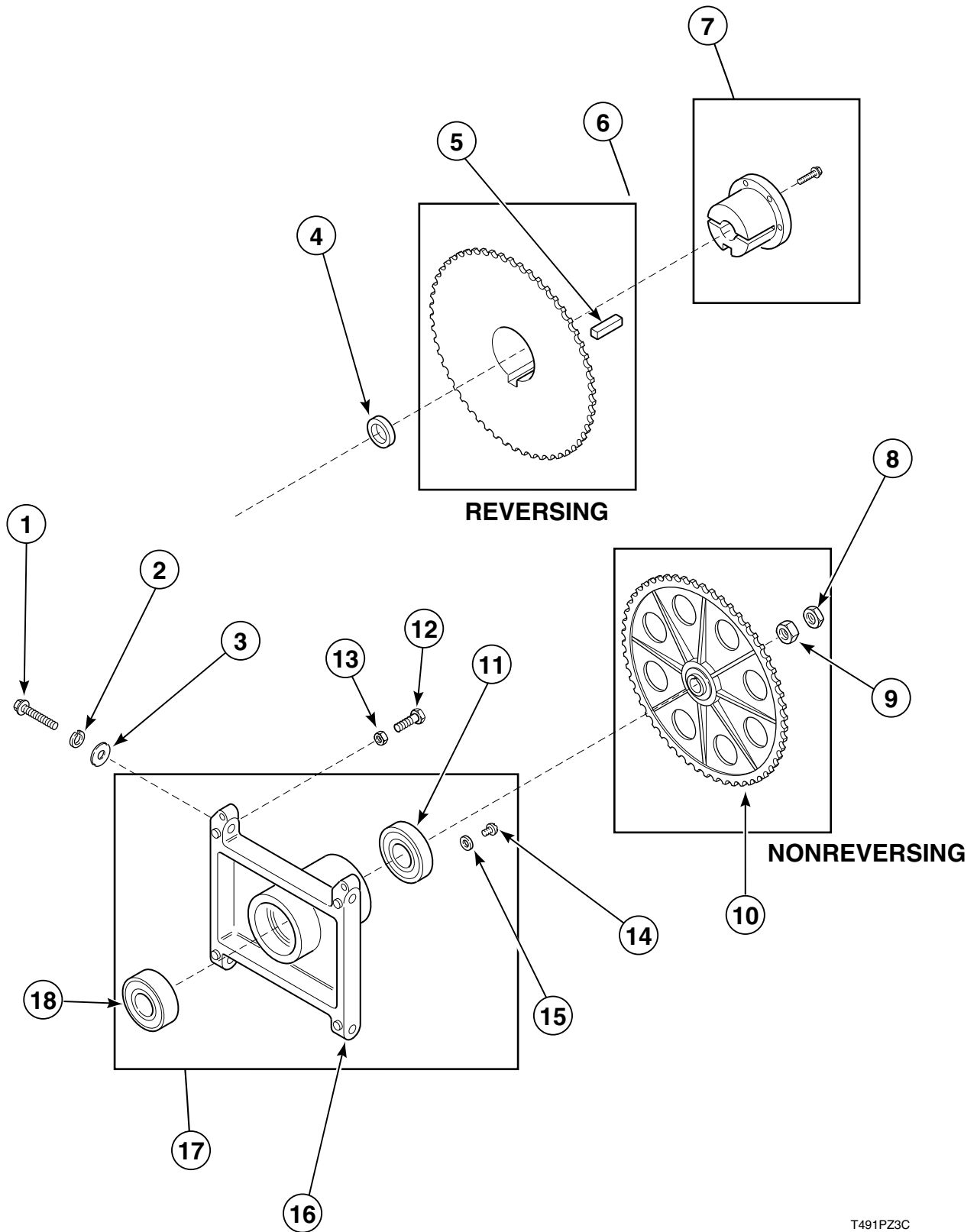


T302PZ3D

## Cylinder and Trunnion Assemblies

REF	PART #	DESCRIPTION	COMMENTS
1	M406906	Cylinder and Trunnion Standard	Nonreversing, Includes Items 2-9, DC/JC/SC Models
	M409090	Cylinder and Trunnion Standard	Reversing, Includes Items 2-9, DC/JC/SC Models
	M409015	Cylinder and Trunnion - Stainless Steel	Nonreversing, Includes Items 2-9
	M409091	Cylinder and Trunnion - Stainless Steel	Reversing, Includes Items 2-9
2	M402144	Felt Pad	
3	M400008	Key, Half-Moon	Nonreversing
	M405232	Key, Straight	Reversing
4	M413835P	Trunnion Assembly	Nonreversing
	M413836	Trunnion Assembly	Reversing
5	M400013	Lockwasher	Nonreversing
	91200	Lockwasher	Reversing
6	M404993	Nut	
7	M401947	Washer	Nonreversing
8	M404992	Rib Rod	
9	M401985	Cylinder Assembly - Galvanized	
	M402517	Cylinder Assembly - Stainless Steel	
REF	M401402	Shim	Not Shown
	M4640P3	Trunnion Assembly Kits	Non Reversing
	M4641P3	Trunnion Assembly Kits	Reversing

# Trunnion Housing and Sprockets



T491PZ3C

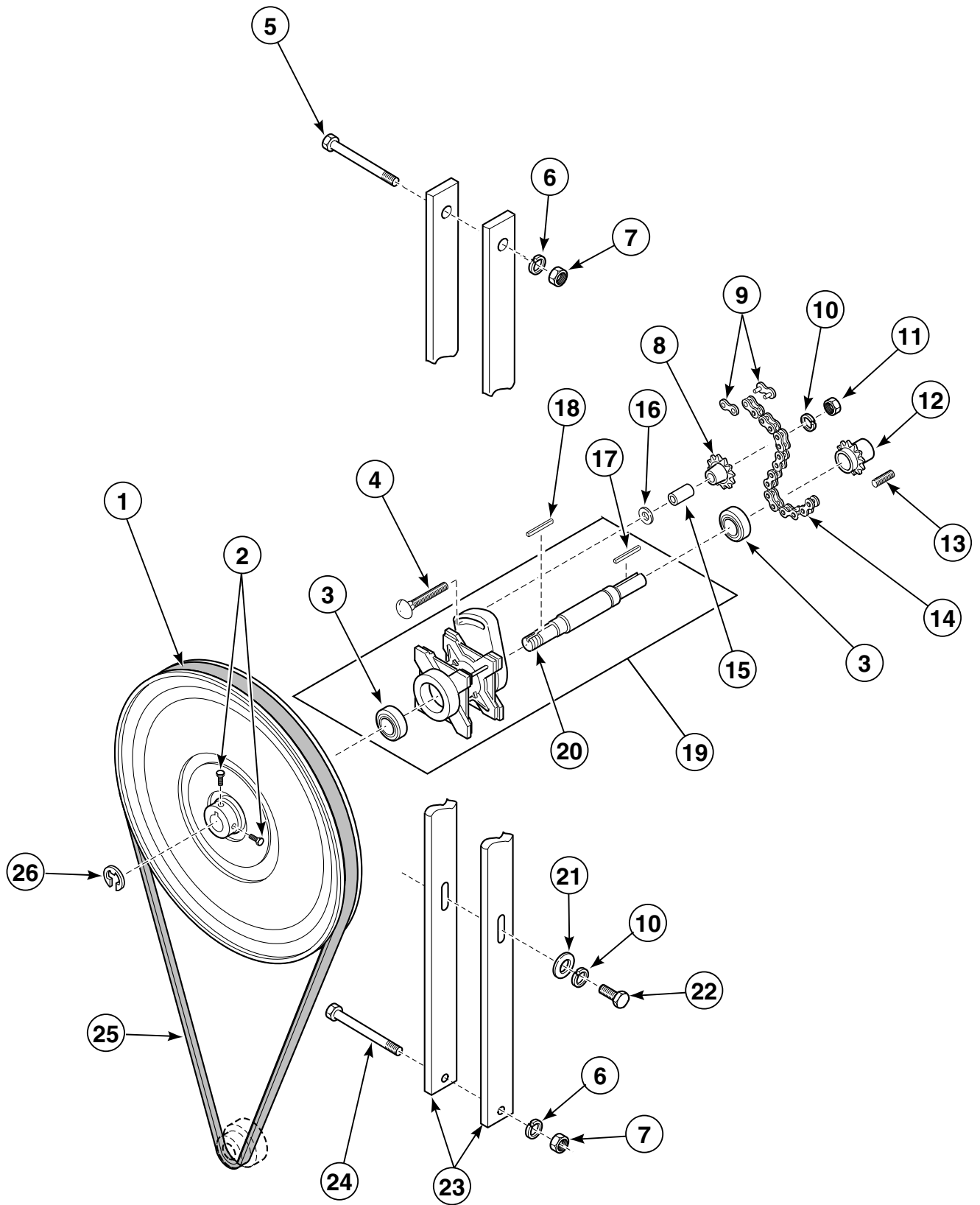


## Trunnion Housing and Sprockets

REF	PART #	DESCRIPTION	COMMENTS
1	M400063	Screw	
2	91200	Lockwasher	
3	M401946	Washer	
4	M404466	Spacer	Reversing
5	M405232	Key	Reversing
6	M403433	Trunnion Sprocket With Key	Reversing
7	M403432	Bushing For Trunnion Sprocket	Reversing
8	M400035	Palnut	Nonreversing
9	M400033	Jamnut	Nonreversing
10	M400090P	Trunnion Sprocket	Nonreversing
11	M413923	Outer Trunnion Bearing	
12	M400650	Screw	
13	20274	Nut	
14	M409385	Screw	
15	20103	Washer	
16	M413826	Trunnion Housing Casting	
17	M413832	Trunnion Housing Assembly	
18	M413924	Inner Trunnion Bearing	

# Idler Drive Components For Belt/Chain Drive

Nonreversing



T305PZ3B

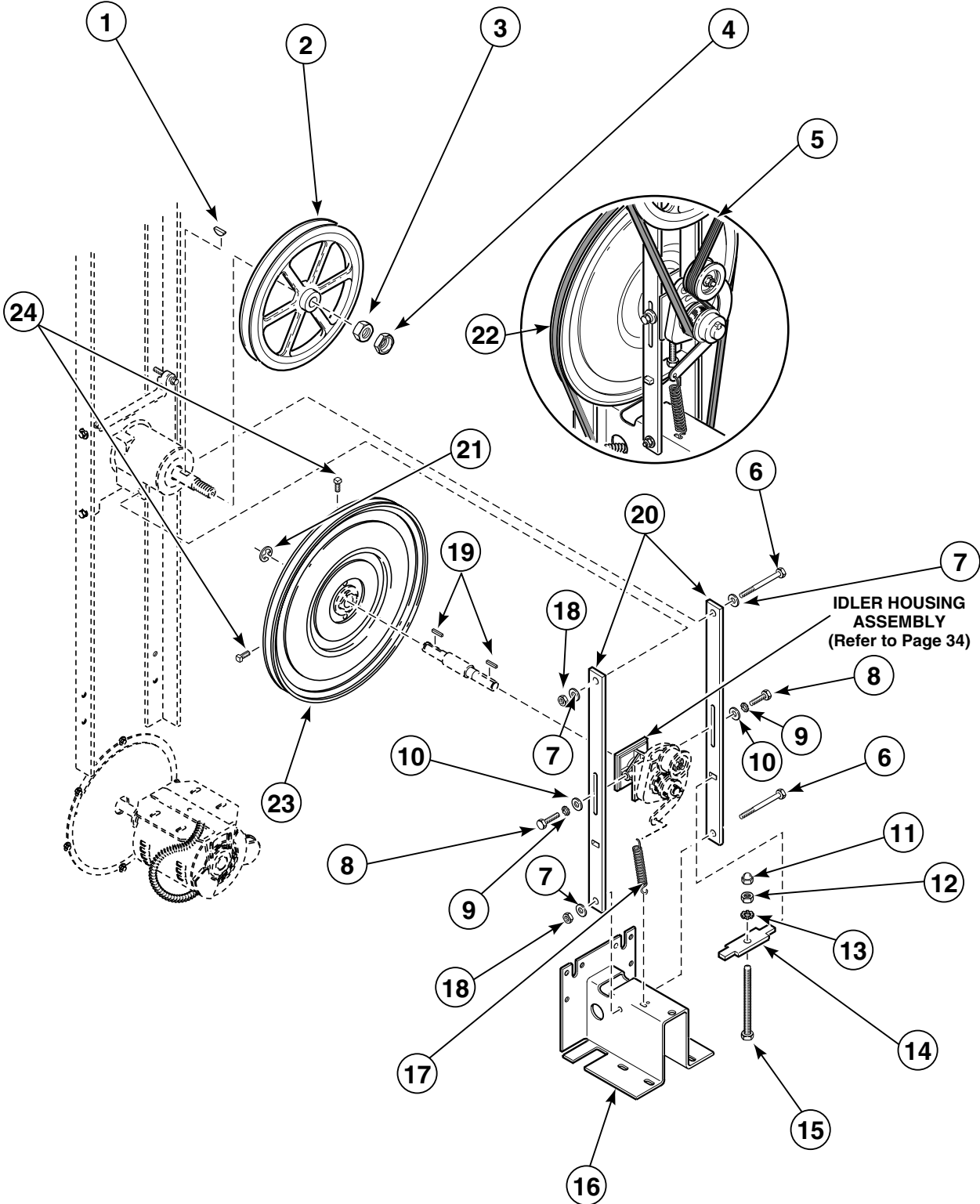
# Idler Drive Components For Belt/Chain Drive

Nonreversing

REF	PART #	DESCRIPTION	COMMENTS
1	M400092P	Sheave With Hardware	
2	M400065	Setscrew	
3	M400592	Bearing	
4	M412475	Bolt	
5	M400061	Bolt	
6	M400013	Lockwasher	
7	02428	Nut	
8	M401369	Idler Sprocket	
9	M401360	Chain Connecting Link	Included With M401425
10	M400014	Lockwasher	
11	M400026	Nut	
12	M401365	Drive Sprocket	
13	62541	Setscrew	
14	M401425	Drive Chain	
15	M400755	Sleeve	
16	M400080	Washer	
17	M400993	Key	
18	M401327	Key	
19	M412228P	Idler Housing With Bearings and Guide Rails	
20	M412223	Idler Shaft	
21	M400081	Washer	
22	M400061	Bolt	
23	M412476	Guide Rail	
24	M405525	Bolt	
25	M401182	Belt	
26	M400399	Retaining Ring	
REF	M411467	Chain Guard	Not Shown, All Except 75EG
	M409350	Chain Guard	Not Shown, 75EG
	M400441	Idler Housing Assembly	Does not include Chain, Link or Belt

# Idler Drive Components For Belt/Belt Drive

Nonreversing



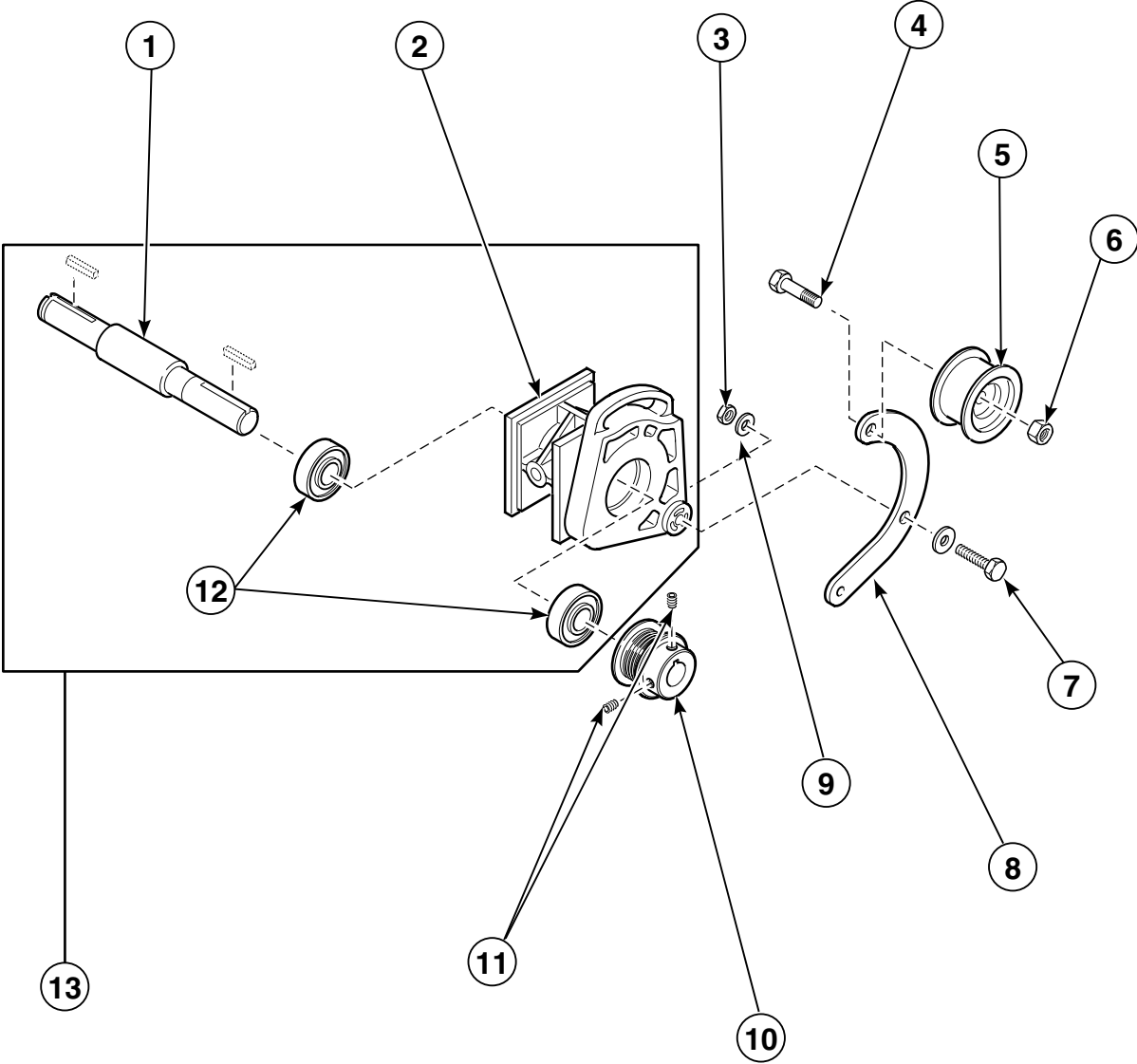
T312PZ3A

# Idler Drive Components For Belt/Belt Drive

Nonreversing

REF	PART #	DESCRIPTION	COMMENTS
1	M400008	Key	
2	M412156	Micro V Sheave	
3	M400033	Nut, Jam	
4	M400035	Nut, Pal	
5	M411425	Micro V Belt	
6	M400061	Bolt	
7	M400014	Washer	
8	20255	Screw	
9	M403958	Lockwasher	
10	M400081	Washer	
11	M412626	Acorn Nut	
12	M404993	Nut	
13	M412188	Lockwasher	
14	M414405	Idler Support Plate	
15	M412627	Tension Bolt	
16	M411483	Motor Bracket	Refer to Page 35
17	M412120	Spring, Extension	
18	M400026	Nut	
19	M401327	Key	
20	M412476	Guide Rail	
21	M400399	Snap Ring	
22	M401182	Belt	
23	M400092P	Sheave With Hardware	
24	M400065	Setscrew	
REF	M411467	Main Drive Guard	Not Shown

# Idler Housing Assembly For Belt/Belt Drive Nonreversing

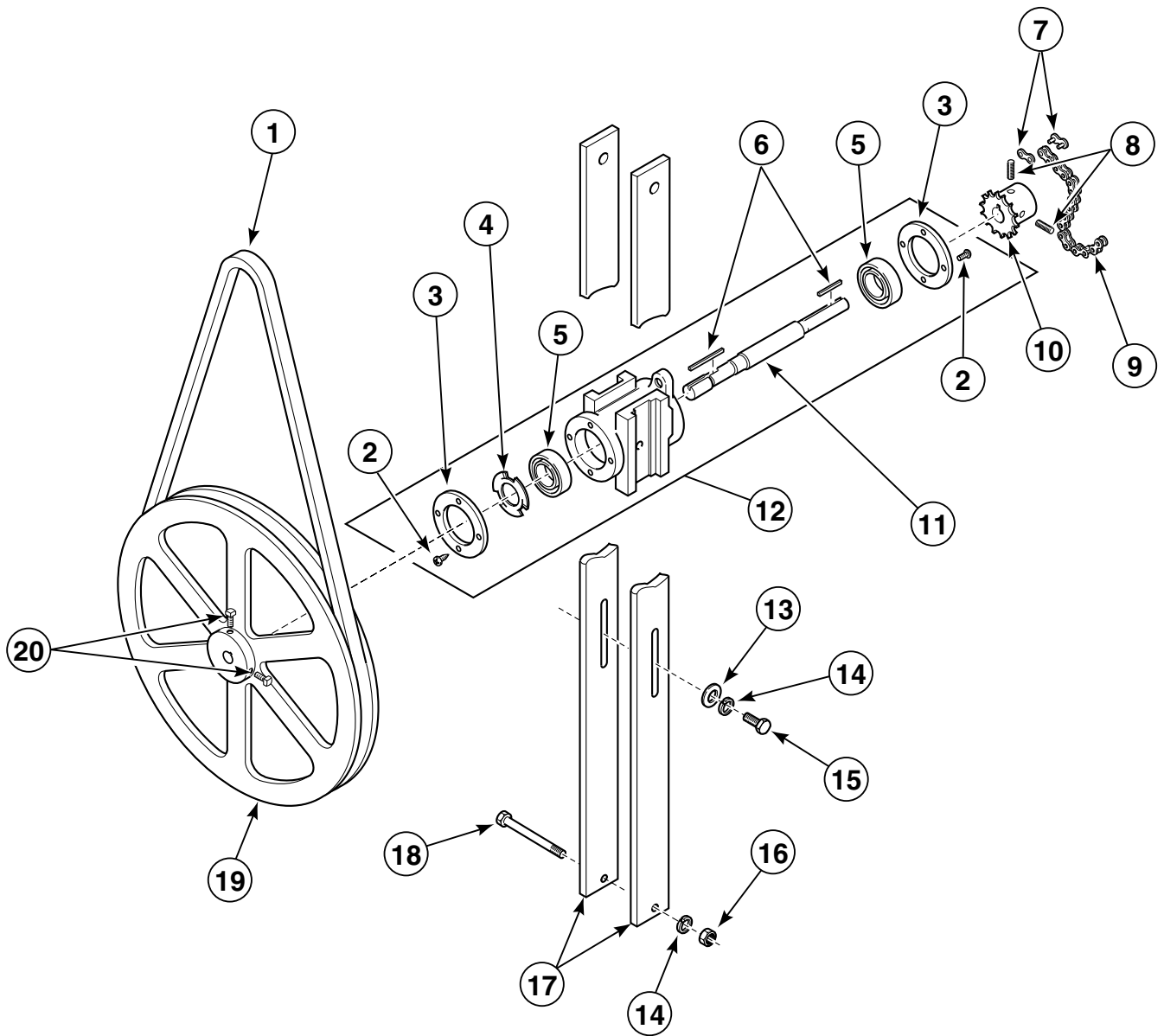


T313PZ3A

## Idler Housing Assembly For Belt/Belt Drive Nonreversing

REF	PART #	DESCRIPTION	COMMENTS
1	M412223	Idler Shaft	
2	M412103	Idler Housing	
3	52566	Nut	
4	430648	Bolt	
5	430619	Idler Wheel	
6	56156	Nut	
7	M412119	Bolt	
8	M414320P	Idler Arm	
9	M405535	Washer	
10	M411466P	Micro V Pulley	
11	M400077	Setscrew	
12	430038	Bearing	
13	M412228P	Idler Housing Assembly	Includes 1, 2 and 12

# Idler Drive Components For Belt/Chain Drive Reversing Models



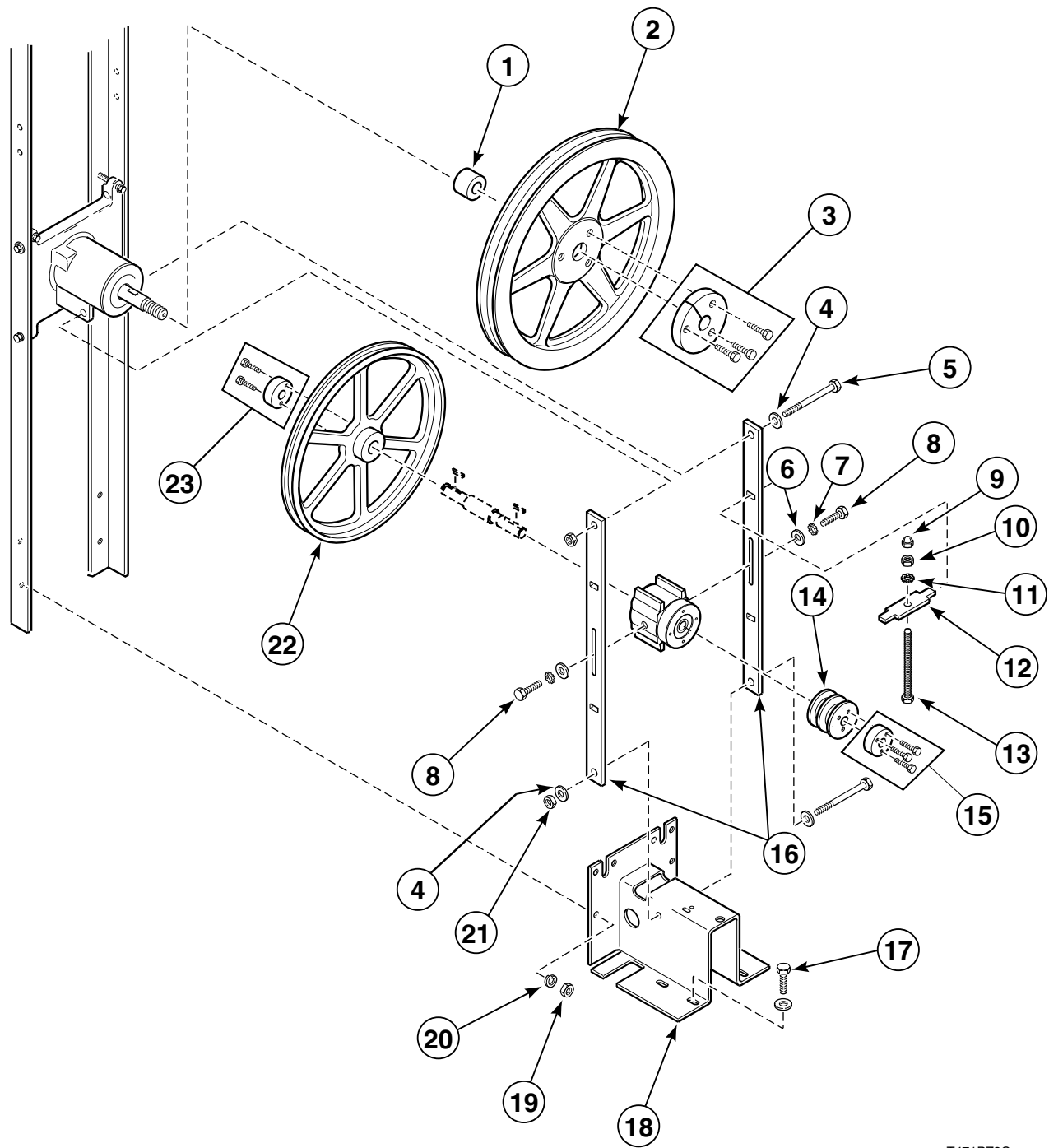
T486PZ3A



## Idler Drive Components For Belt/Chain Drive Reversing Models

REF	PART #	DESCRIPTION	COMMENTS
1	M411814	Belt	
2	M409385	Screw	
3	M401370	Bearing Retainer	
4	M400401	Spring	
5	M401375	Bearing	
6	M401327	Key	
7	M400903	Chain Connecting Link	Included With M400597
8	62541	Setscrews	
9	M400597	Drive Chain	
10	M401364	Drive Sprocket	
11	M401371	Idler Shaft	
12	M412630P	Idler Housing With Bearings and Rails	
13	M400081	Washer	
14	M400014	Lockwasher	
15	M400061	Bolt	
16	M400026	Nut	
17	M412476	Guide Rail	
18	M405525	Bolt	
19	M400147	Drive Sheave	
20	M400065	Setscrew	
REF	M413541	Upper Belt Guard	Not Shown
	M413627	Main Drive Guard	Not Shown, All Except 75EG
	M409399	Main Drive Guard	Not Shown, 75EG
	M400444	Idler Housing Assembly	Does not include Chain, Link or Belt

# Drive Components For Belt/Belt Drive Reversing Models

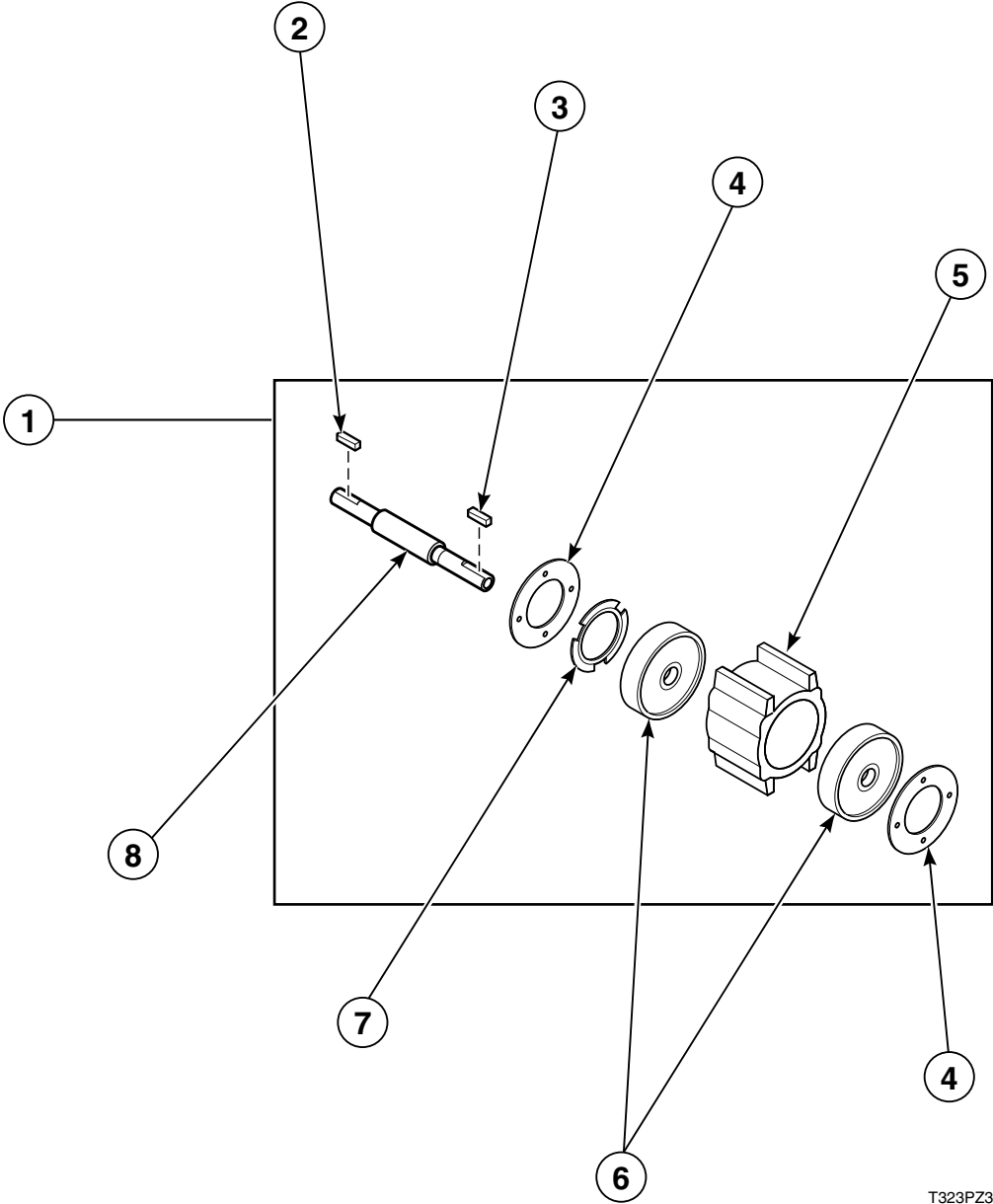


T471PZ3C

## Drive Components For Belt/Belt Drive Reversing Models

REF	PART #	DESCRIPTION	COMMENTS
1	M404466	Spacer	
2	M412916	Sheave, Cylinder	
3	M412086	Bushing With Screws	
4	M400014	Washer	
5	430648	Bolt	
6	M400080	Washer	
7	M403958	Lockwasher	
8	20255	Bolt	
9	M412626	Acorn Nut	
10	M404993	Nut	
11	M412188	Lockwasher	
12	M414405	Idler Support Plate	
13	M412627	Tension Bolt	
14	M412884	Pulley, Idler	
15	M412917	Bushing With Screws	
16	M412476	Guide Rail	
17	M400057	Screw	
18	M411483	Bracket, Fan Motor	
19	70142	Nut	
20	M400013	Lockwasher	
21	M400026	Nut	
22	M412931	Sheave, Idler	
23	M412885	Bushing With Screws	
REF	M413617	Assembly, Cylinder Motor Bracket - Hinged	Refer to Page 40
	M412981	Belt, Motor to Idler	Not Shown
	M412090	Belt, Cylinder	Not Shown; 2 Required
	M411467	Drive Guard	Not Shown, All Except 75EG
	M413627	Drive Guard	Not Shown, 75EG
	M413541	Upper Belt Guard	For Hinged Motor, Shown on Page 40

# Idler Housing Assembly For Belt/Belt Drive Reversing Models



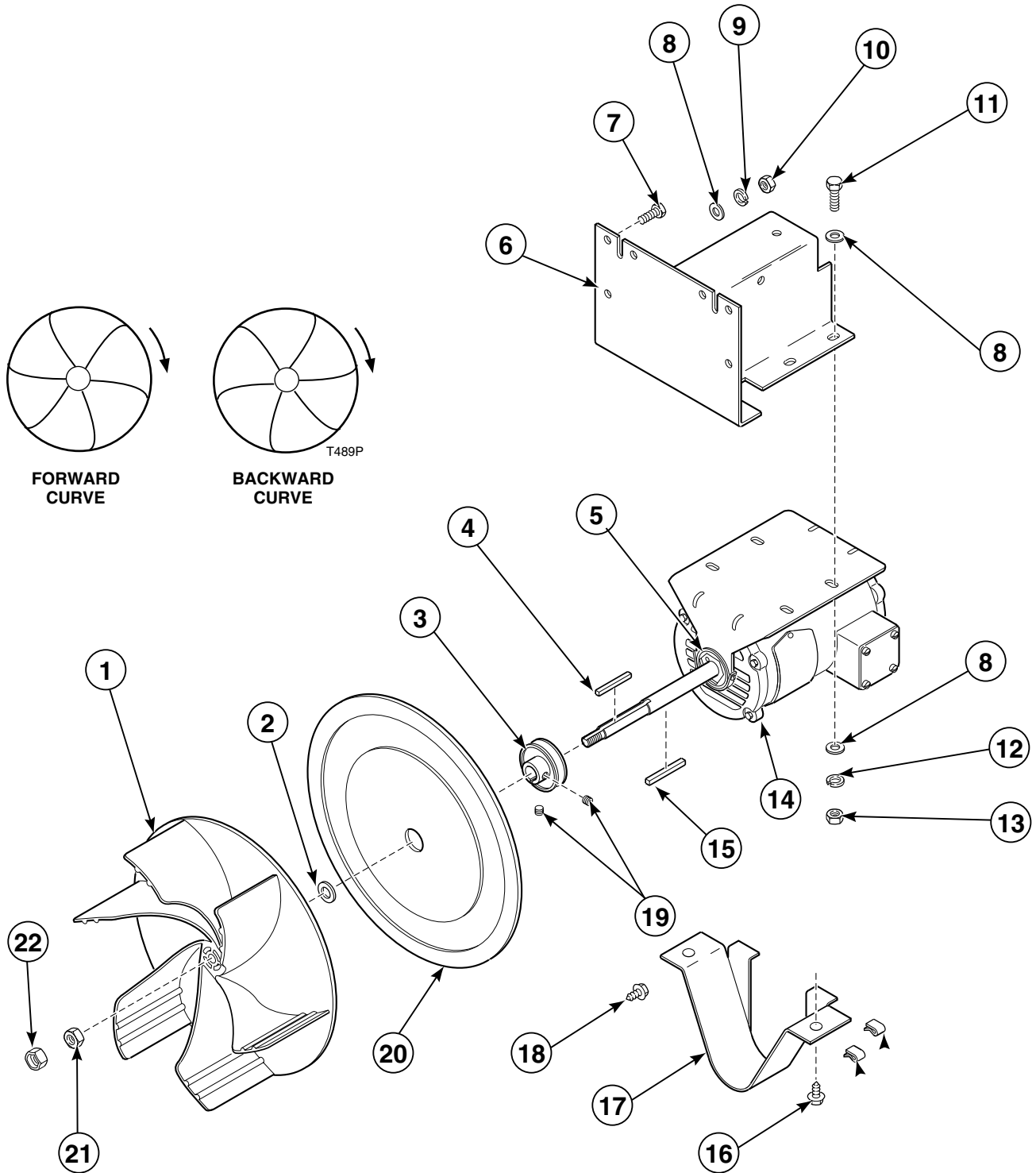
T323PZ3A

## Idler Housing Assembly For Belt/Belt Drive Reversing Models

REF	PART #	DESCRIPTION	COMMENTS
1	M412630P	Idler Housing Assembly	
2	M401327	Key	
3	M400993	Key	
4	M401370	Bearing Retainer	
5	M412612	Idler Housing	
6	M401375	Bearing	
7	M400401	Spring	
8	M412099	Idler Shaft	

# Fan and Motor Components

All Models Except FG and 634



T304PZ3D

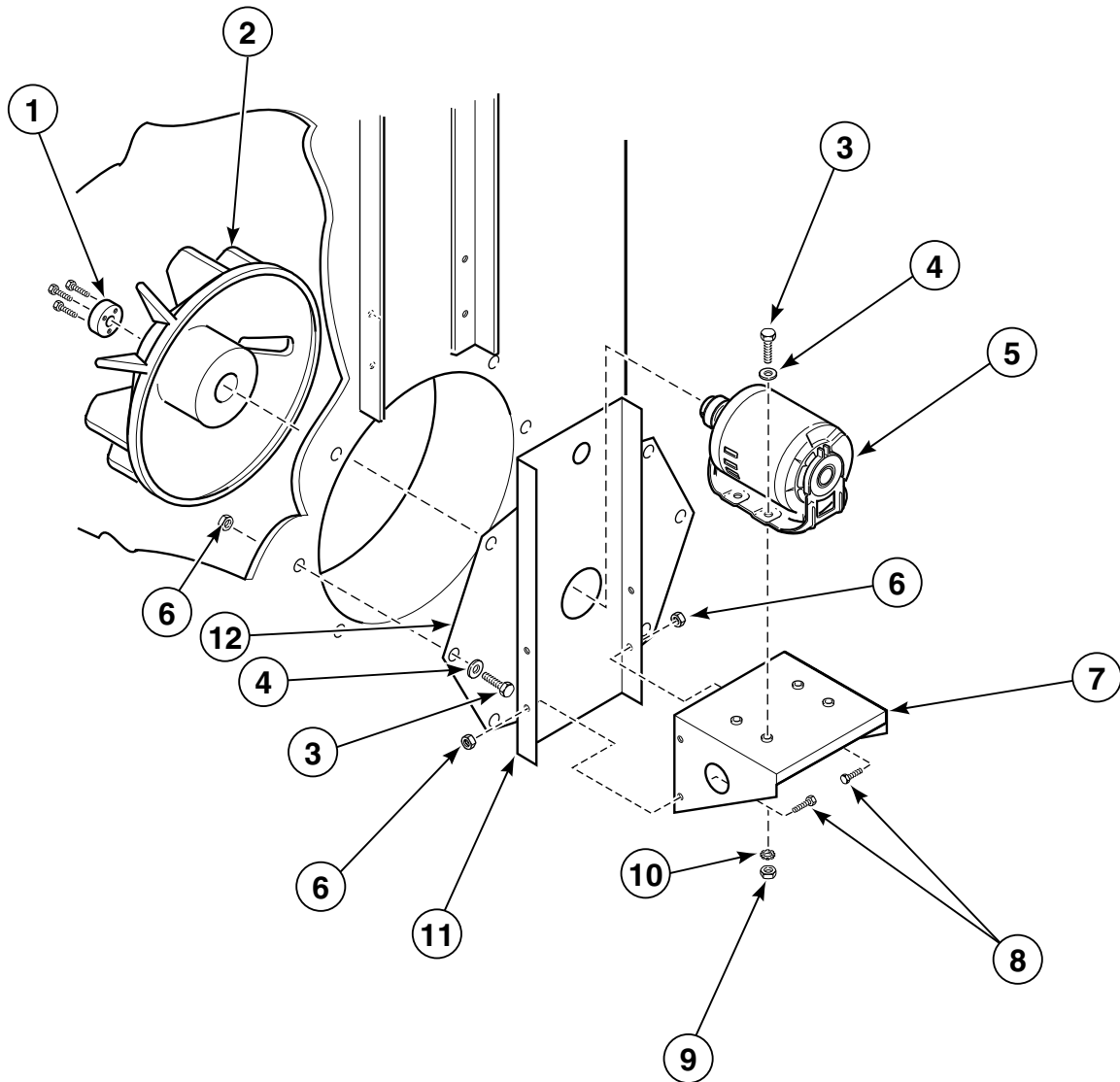
# Fan and Motor Components

All Models Except FG and 634

REF	PART #	DESCRIPTION	COMMENTS
1	M410088P	Fan, Forward Curve	All except CE and EG
	M400086P	Fan, Backward Curve	CE and EG Models
2	M400991	Washer	Included In M4426P3 Motor Hardware Kit
3	M403463	Motor Pulley	Nonreversing Only, 50 Hertz
	M402718	Motor Pulley	Nonreversing Only, 60 Hertz
4	M400994	Key for Fan	Included In M4426P3 Motor Hardware Kit
5	M405419	Motor Mounting Ring	Standard Connection Motors - 2 per package
	M4525P3	Motor Mounting Ring	Quick Disconnect Motors - 2 per package
6	M411483	Motor Mounting Bracket	See Page 24
7	M401393	Screw	
8	M400080	Washer	
9	M400014	Lockwasher	
10	70142	Nut	
11	M400057	Screw	
12	M400013	Lockwasher	
13	02428	Nut	
14		Fan Motor	See Table, Page 79
15	M400993	Key for Pulley	Included In M4426P3 Motor Hardware Kit
16	M405188	Screw	
17	M413008	Belt Guard	
18	M410059	Screw	
19	M400077	Setscrew	
20	M401362	Fan Cover Plate	
21	M400022	Jamnut	Included In M4426P3 Motor Hardware Kit
22	M400034	Palnut	Included In M4426P3 Motor Hardware Kit
REF	M4426P3	Motor Hardware Kit	Includes Items 2, 4, 15, 22 and 23

# Fan and Motor Components

75FG and 634



T473PZ3A



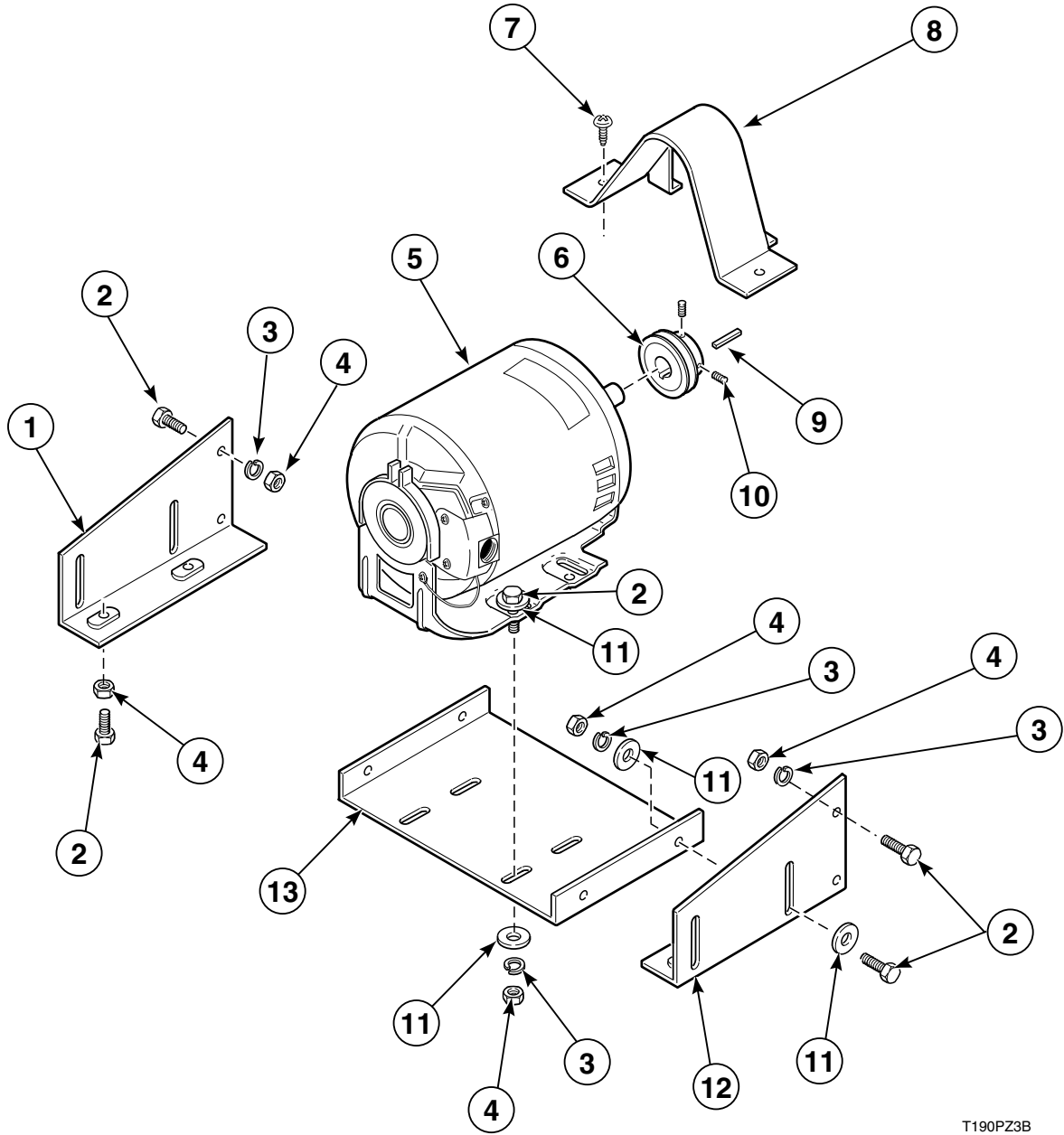
# Fan and Motor Components

75FG and 634

REF	PART #	DESCRIPTION	COMMENTS
1	H87529111	Bushing With Screws	
2	M414546	Assembly, Fan and Bushing	
3	M400057	Screw	
4	M400080	Washer	
5	M410860	Motor	
6	20274	Nut	
7	M413391	Motor Mounting Bracket	
8	22688	Screw	
9	02428	Nut	
10	M400013	Lockwasher	
11	M413392	Motor Base Channel	
12	M413391	Motor Base	
REF	H8652006P	Key	

# Cylinder Drive Motor and Components

Prior to 1996



T190PZ3B

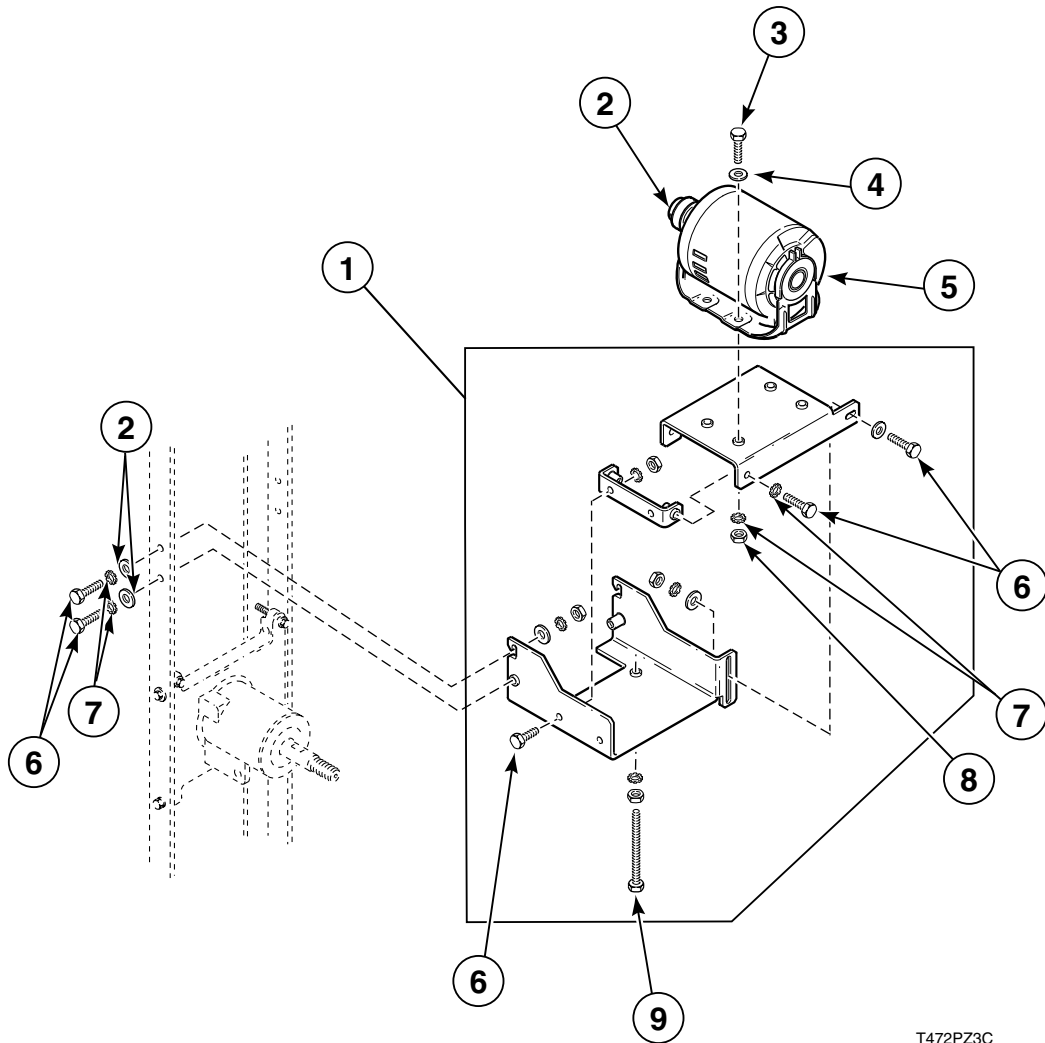
# Cylinder Drive Motor and Components

Prior to 1996

REF	PART #	DESCRIPTION	COMMENTS
1	M400520	Motor Bracket Side - Left	Units Manufactured Prior To 1996
2	M400057	Screw	
3	M400013	Lockwasher	
4	02428	Nut	
5	M410852	Cylinder Drive Motor	1/3 HP, 208-240 Volts, 60 Hertz, 1 Phase
	M412519P	Cylinder Drive Motor	1/3 HP, 208/240/380/415/480 Volts, 50-60 Hertz, 3 Phase
	M412520P	Cylinder Drive Motor	1/3 HP, 240 Volts, 50 Hertz, 1 Phase
6	M400146	Motor Pulley	
7	M405188	Screw	
8	M413008	Belt Guard	
9	M400993	Key	
10	M400065	Screw	
11	M400080	Washer	
12	M400521	Motor Bracket Side - Right	Units Manufactured Prior To 1996
13	M401519	Motor Mounting Plate	Units Manufactured Prior To 1996

# Cylinder Drive Motor and Components

Models After 1996



T472PZ3C

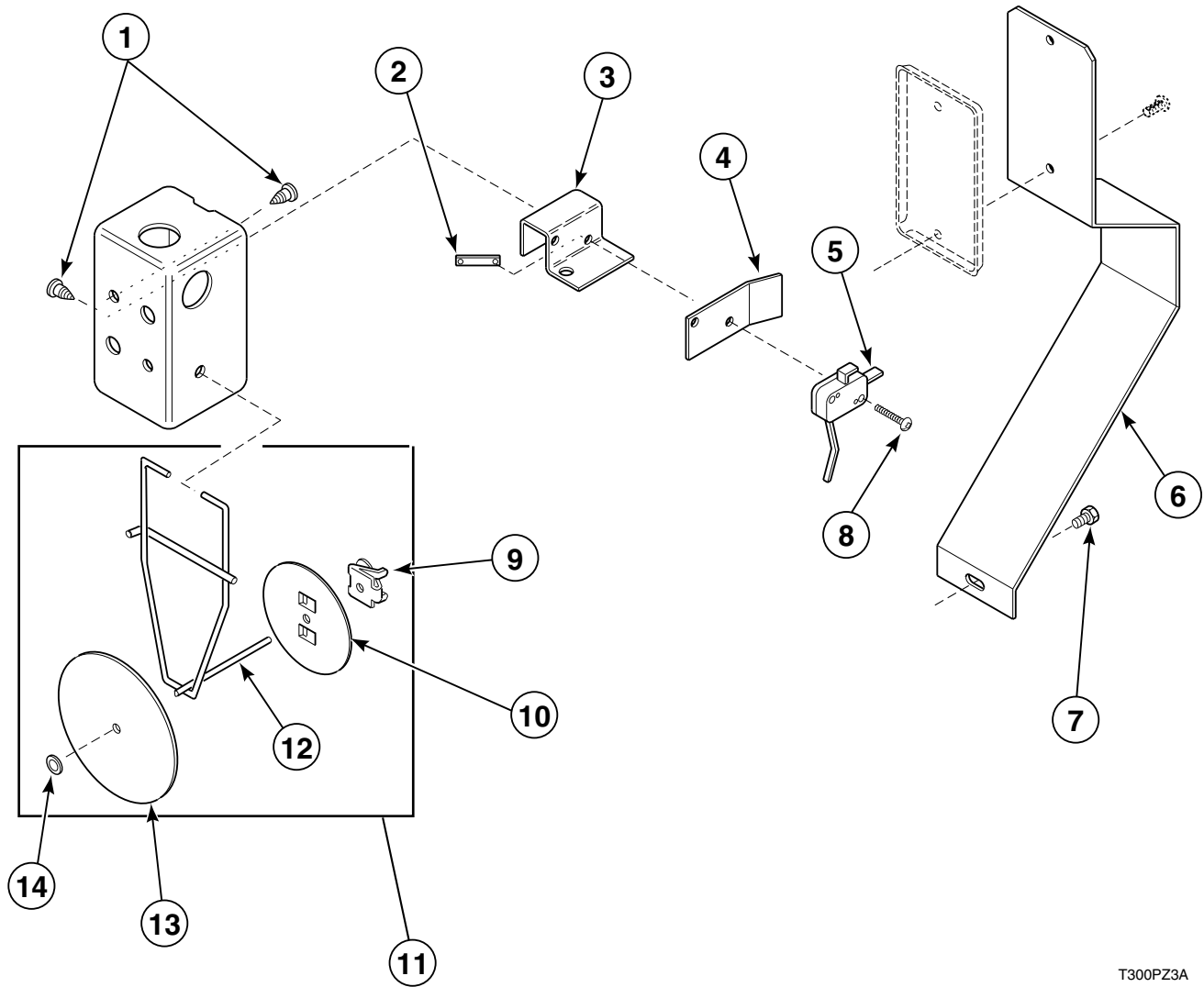
# Cylinder Drive Motor and Components

Models After 1996

REF	PART #	DESCRIPTION	COMMENTS
1	M413617	Assembly, Cylinder Motor Bracket - Hinged	Includes Items 2, 4, 5, 7, 9, 10, 11, and 12
2	M400146	Motor Pulley	
3	M400057	Bolt	
4	M400080	Flat Washer	
5	M412519P	Cylinder Drive Motor	All 3 Phase
	M412520P	Cylinder Drive Motor	50 Hertz, 1 Phase
6	27202	Screw	
7	02834	Lockwasher	
8	02428	Jamnut	
9	M413565	Adjusting Bolt	Included in M413617 Assembly

# Air Flow Switch Assembly

Mounting on Rear of Cabinet



T300PZ3A

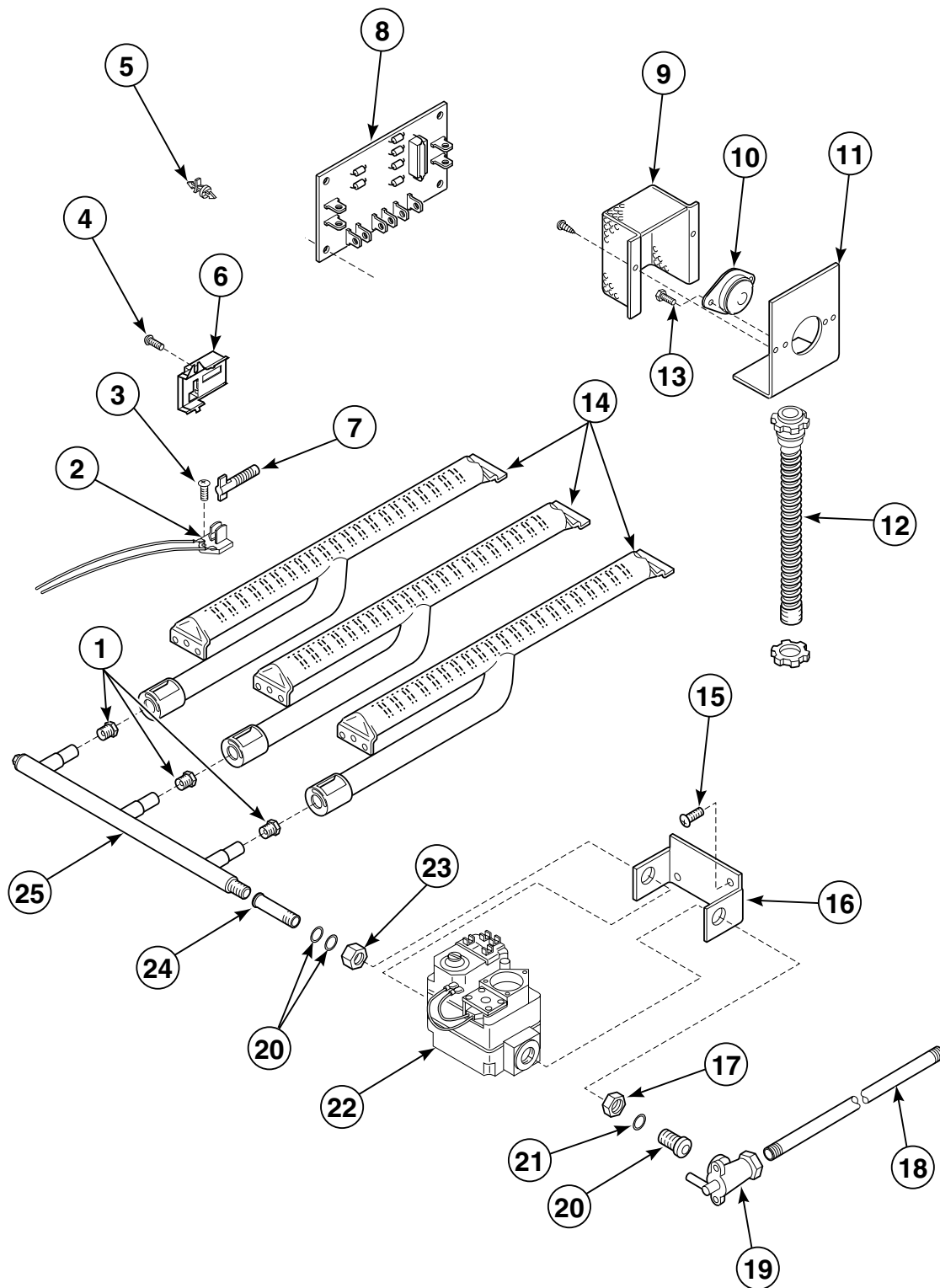
# Air Flow Switch Assembly

Mounting on Rear of Cabinet

REF	PART #	DESCRIPTION	COMMENTS
1	M400664	Screw	
2	M400979	Twin Speed Nut	
3	M409202	Bracket	
4	M400712	Barrier	
5	M400944	Air Flow Switch	
6	M410544	Air Flow Switch Guard	All Except 75CG
7	430497	Screw	
8	M401938	Screw	
9	M400976	Adjustable Clip	
10	M400822	Counterweight	
11	M400541	Air Flow Vane Assembly	
	M413475	Air Flow Vane Assembly	634 Models
12	M400753	Lever	
13	M400253	Disc	
14	M400977	Clip	

# Burner Assembly

Glow Bar Ignition



T490PZ3A



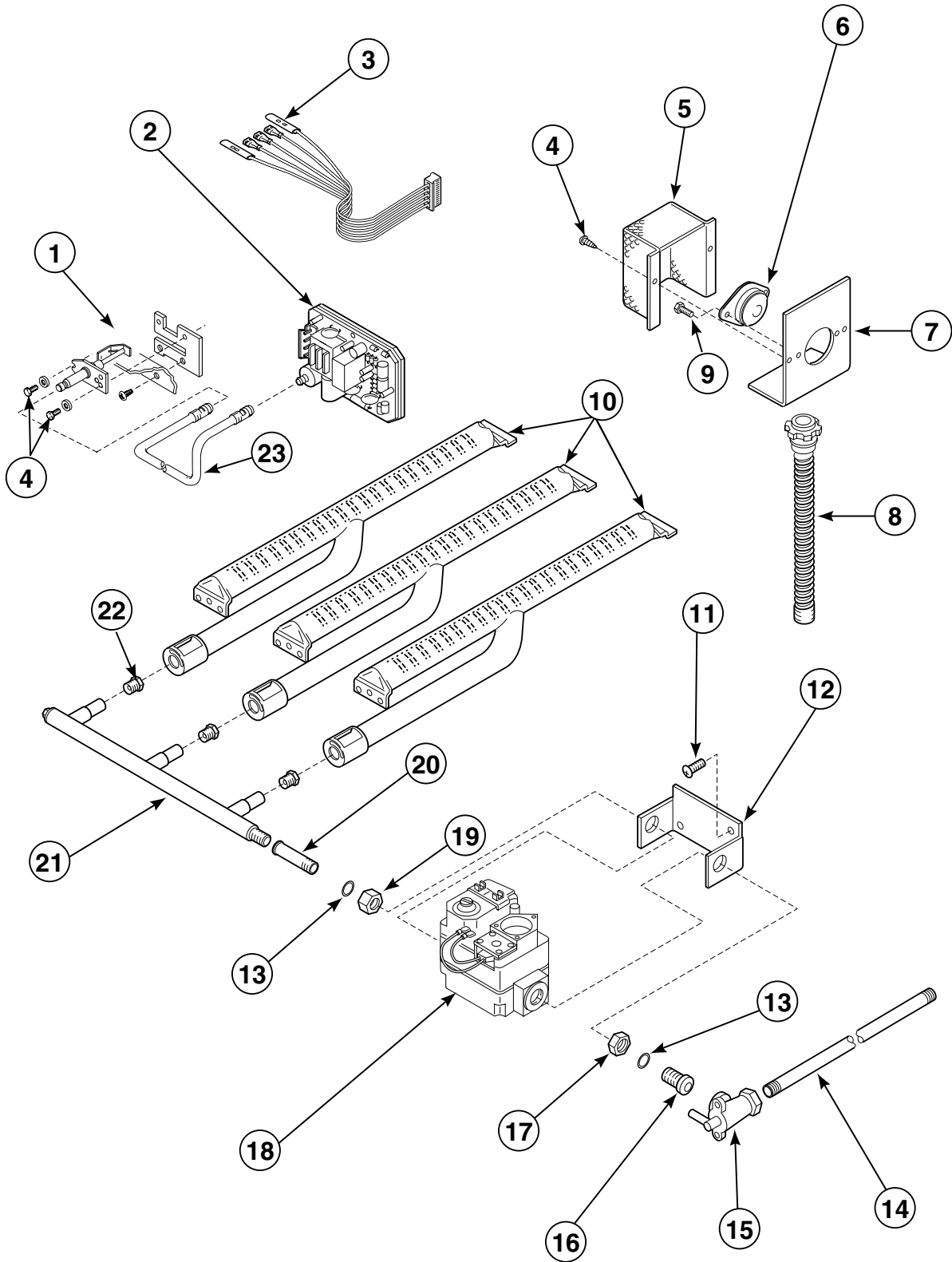
# Burner Assembly

Glow Bar Ignition

REF	PART #	DESCRIPTION	COMMENTS
1		Burner Orifice	See Orifice Chart, Page 77
2	M402745	Igniter Bracket	
3	56693	Screw	
4	M400664	Screw	
5	M405979	Mounting Pin	
6	56231	Sensor	
7	55438	Igniter	
8	M405897	Diode Logic Board	Located in Front Control Area
9	M400845	Cover	
10	M410220	Stove High Limit Thermostat	Energy SaverModels
	M401404	Stove High Limit Thermostat	Standard Models and 75EC
11	M406882	Bracket	
12	M405380	Wire Harness	
13	M402797	Screw	
14	M405919	Burner	Prior To Serial No. 724078ZF
	M410541	Burner	Starting With Serial No. 724078ZF
15	M405188	Screw	
16	M400823	Bracket	Prior To Serial No. 724078ZF
	M410541	Bracket	Starting With Serial No. 724078ZF
17	M401549	Nut	
18	M400749	Gas Supply Pipe	
19	M406455	Shut-Off Valve	
20	M410793	Tail Piece	
21	M400605	Anti-Torque Ring	
22	M405935	Gas Valve, LP Gas	
	M405898	Gas Valve, Natural Gas	
23	M401548	Nut	
24	M406681	Manifold Pipe	
25	M406810	Manifold	
REF	M4454P3	Conversion Kit, Natural Gas To LP	Model 75CG
	M4478P3	Conversion Kit, Natural Gas To LP	Model 75EG

# Gas Burner Components

Electronic Ignition



T224PZ3B

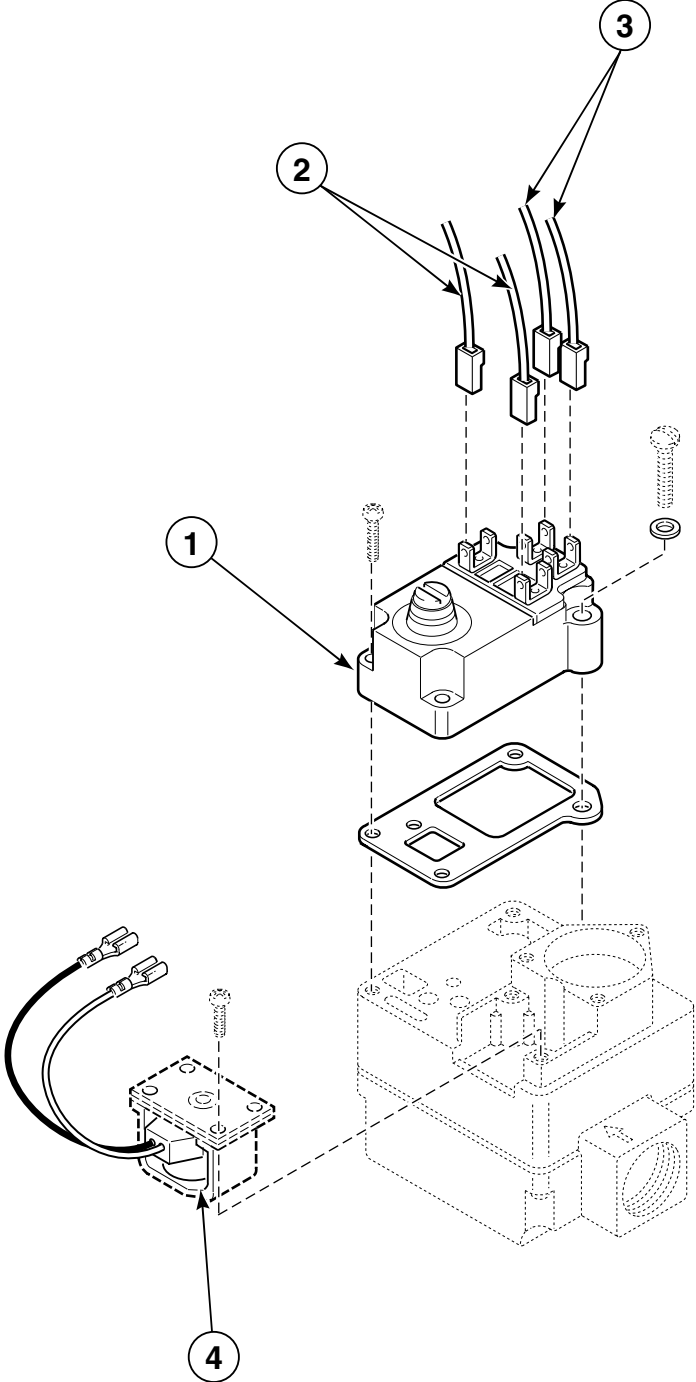
# Gas Burner Components

Electronic Ignition

REF	PART #	DESCRIPTION	COMMENTS
1	M406934	Igniter	
2	M406789	Ignition Control	MT and MM Models, 120 Volts
	M413532	Ignition Control	OM Models, 24 Volts
3	M406880	Wire Harness - Ignition Control	MT and MM Models
	M413678	Wire Harness - Ignition Control	OM Models
4	M400664	Screw	
5	M400845	Cover	
6	M410220	Stove High Limit Thermostat	75EG
	M401404	Stove High Limit Thermostat	75CG
7	M406882	Bracket	
8	M405380	Wire Harness - Stove High Limit	MT and MM Models
	M413691	Wire Harness - Stove High Limit	OM Models
	M413499	Wire Harness - Stove High Limit	634 and FG Models
9	M402797	Screw	
10	M405919	Burner	Through Serial Number 724078ZF
	M410541	Burner	Starting With Serial Number 724078ZF
11	M405188	Screw	
12	M406814	Gas Valve Bracket	Starting With Serial Number 724078ZF
	M405945	Gas Valve Bracket	Through Serial Number 724078ZF
13	M400605	Anti-Torque Ring	
14	M400749	Supply Pipe	
15	M406455	Shutoff Valve	
16	M410793	Tail Piece	
17	M401549	Nut	
18	M409152	Gas Valve - Natural Gas	MT and MM Models, 120 Volts, 60 Hertz
	M409153	Gas Valve - LP	MT and MM Models, 120 Volts, 60 Hertz
	M409517	Gas Valve - Natural Gas	MT and MM Models, 120 Volts, 50 Hertz
	M409561	Gas Valve - LP	MT and MM Models, 120 Volts, 50 Hertz
	M413463	Gas Valve - LP	OM Models, 24 Volts, 50 Hertz
	M413464	Gas Valve - LP	OM Models, 24 Volts, 60 Hertz
	M413467	Gas Valve - Natural Gas	OM Models, 24 Volts, 50 Hertz
	M413468	Gas Valve - Natural Gas	OM Models, 24 Volts, 60 Hertz
19	M401548	Nut	
20	M406810	Manifold Pipe	
21	M406681	Manifold	
22		Burner Orifice	See Orifice Chart, Page 70
23	M406881	High Voltage Lead	
REF	M4454P3	LP Conversion Kit	Not Shown, 75CG
	M4478P3	LP Conversion Kit	Not Shown, 75EG

# Gas Valve Components

Glow Bar Ignition



T043PZ3A

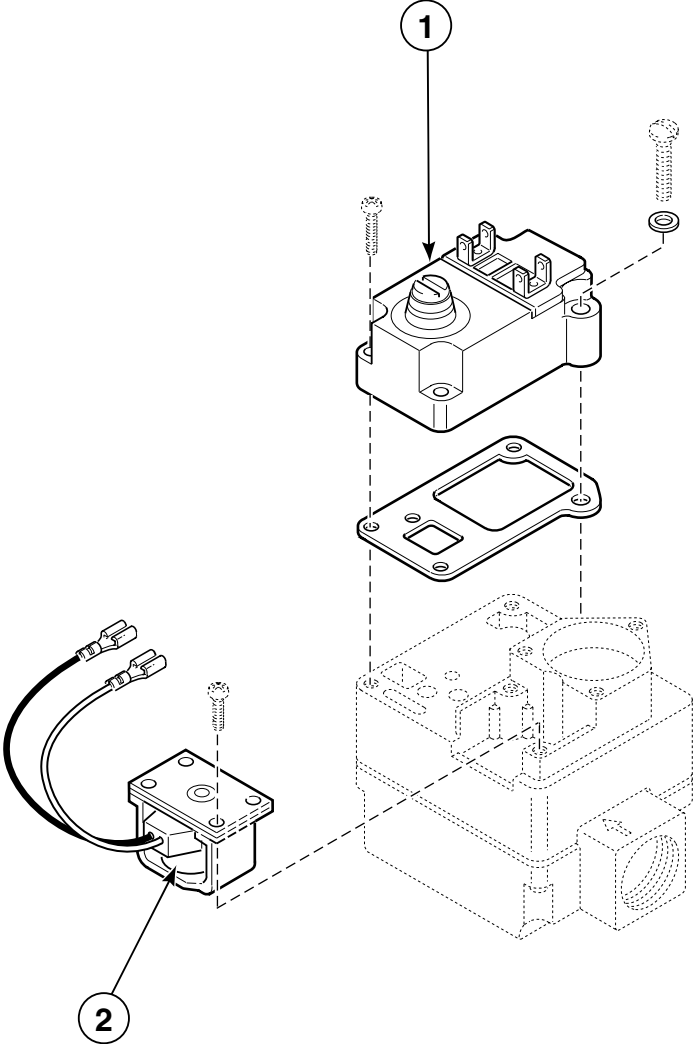
# Gas Valve Components

Glow Bar Ignition

REF	PART #	DESCRIPTION	COMMENTS
1	M405430	Main Coil	
2	M404866	Jumper Wire	Purple
3	M404868	Jumper Wire	Blue
4		Redundant Coil	Not Available as a separate part, Order new valve. Refer to Page 45
REF	M405434	Valve Kit	Not Shown, Included with LP Gas Kits M4454P3 and M4478P3

# Gas Valve Components

Electronic Ignition



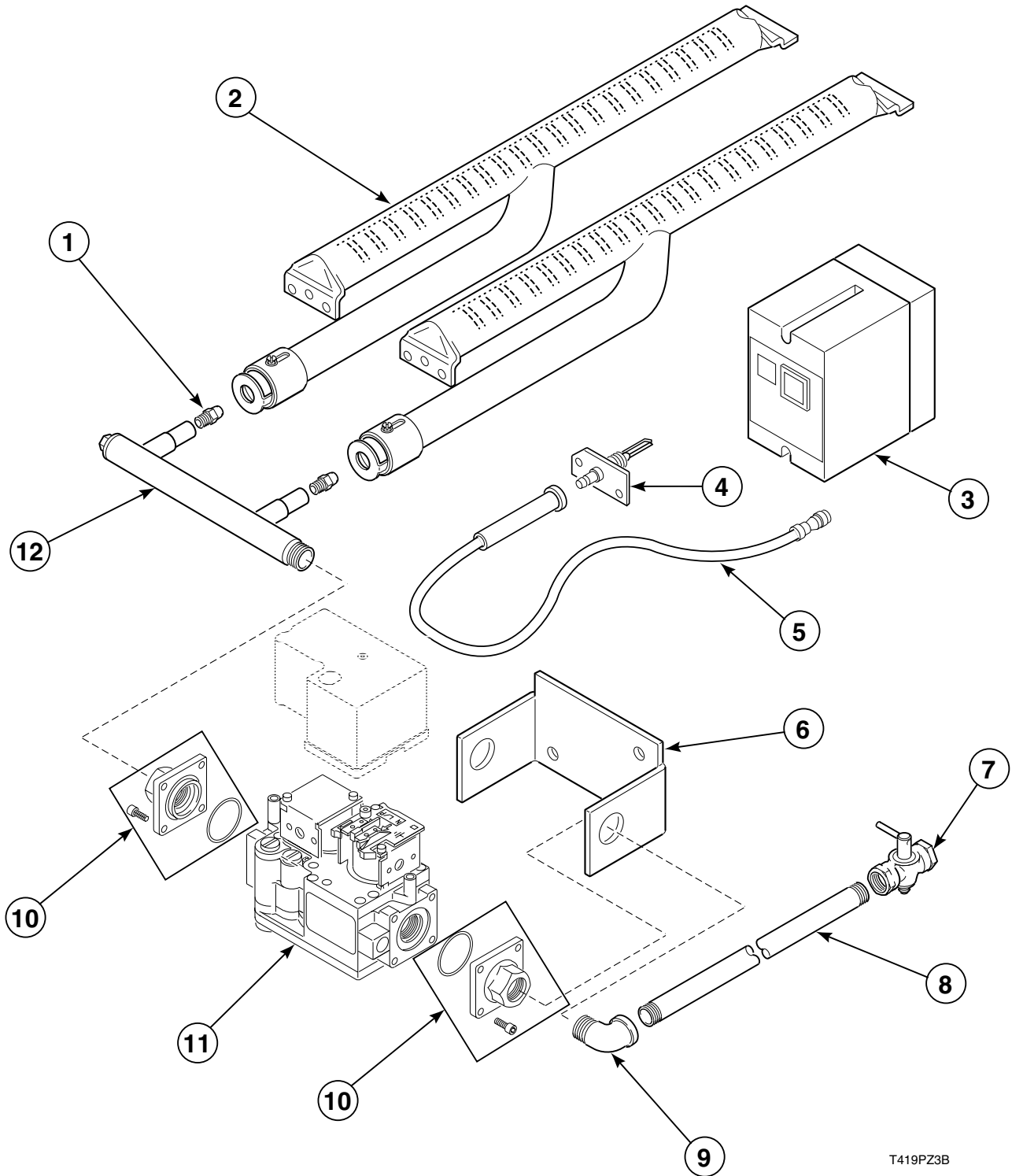
T043PZ3B

# Gas Valve Components

Electronic Ignition

REF	PART #	DESCRIPTION	COMMENTS
1	M411134	Main Coil	
2		Redundant Coil	Not Available as separate part, Order new valve. See Page 47
REF	M405434	Valve Kit	Included with LP Gas Kits M4454P3 and M4478P3

# Gas Valve Assembly for Dungs/B-M System



T419PZ3B

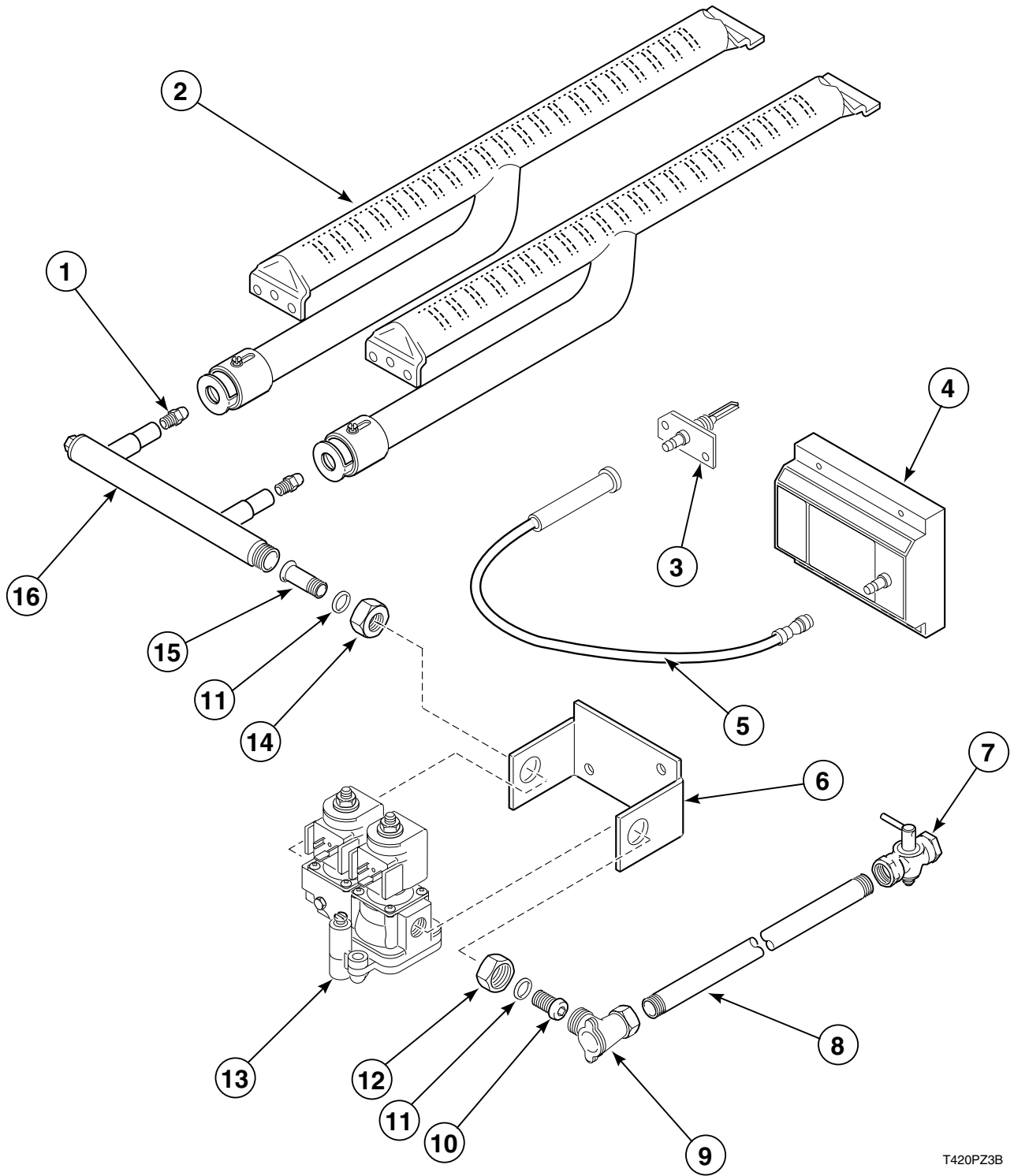


## Gas Valve Assembly for Dungs/B-M System

REF	PART #	DESCRIPTION	COMMENTS
1		Injector	Refer to Table on page 105
2	M410541	Burner, Gas	
3	M412549	Control, Ignition	
4	M406934	Igniter, Spark	
5	M412578	Cable, Ignition	
6	M412552	Bracket, Gas Valve	
7	M412562	Valve, Gas Shut Off	
8	M400749	Pipe, Gas Supply	
9	H86070034	Elbow, Pipe	
10	M412568	Assy, Flange w/Gasket	
11	M411982	Valve, Gas	
12	M412461	Holder, Spud	

# Gas System

(Channel/Johnson)



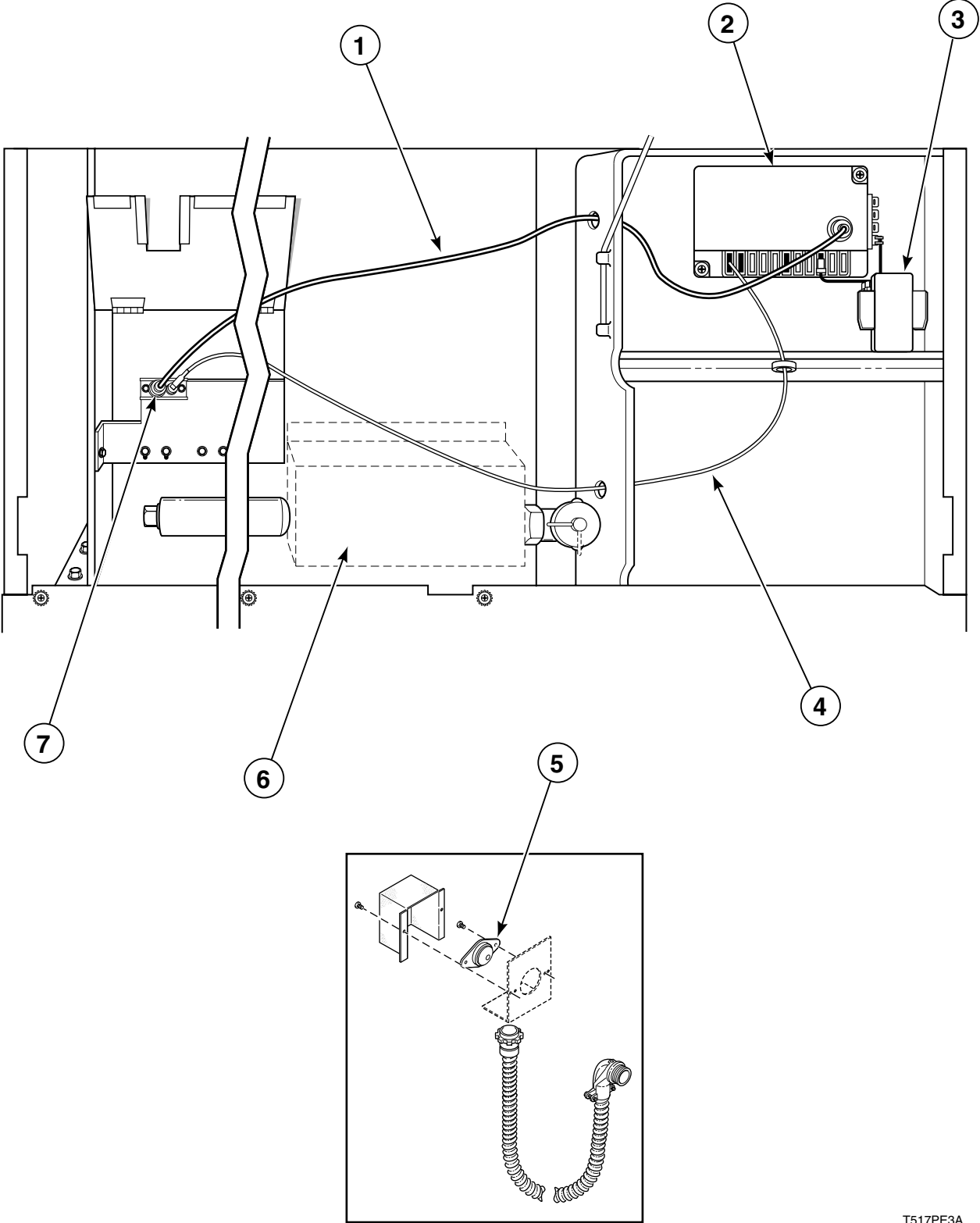
T420PZ3B

# Gas System

(Channel/Johnson)

REF	PART #	DESCRIPTION	COMMENTS
1		Injector	Refer to Table on page 105
2	M410541	Burner, Gas	
3	M406934	Igniter, Spark	
4	M413433	Control, Ignition	
5	M406881	Cable, Ignition	
6	M406814	Bracket, Gas Valve	
7	M412562	Valve, Gas Shut Off	
8	M400749	Pipe, Gas Supply	
9	H86070034	Elbow, Pipe	
10	M413348	Piece, Tail	
11	M400605	Ring, Anti Torque	
12	M401549	Nut	
13	M413332	Valve, Gas	
14	M401548	Nut	
15	M413395	Pipe, Manifold	
16	M405810	Holder, Spud	
REF	M413431	Switch, Ignition Reset (Lighted)	
	M410220	Stove High Limit Thermostat (Manual Reset)	Not Shown

# Burner Assembly for Australian Models



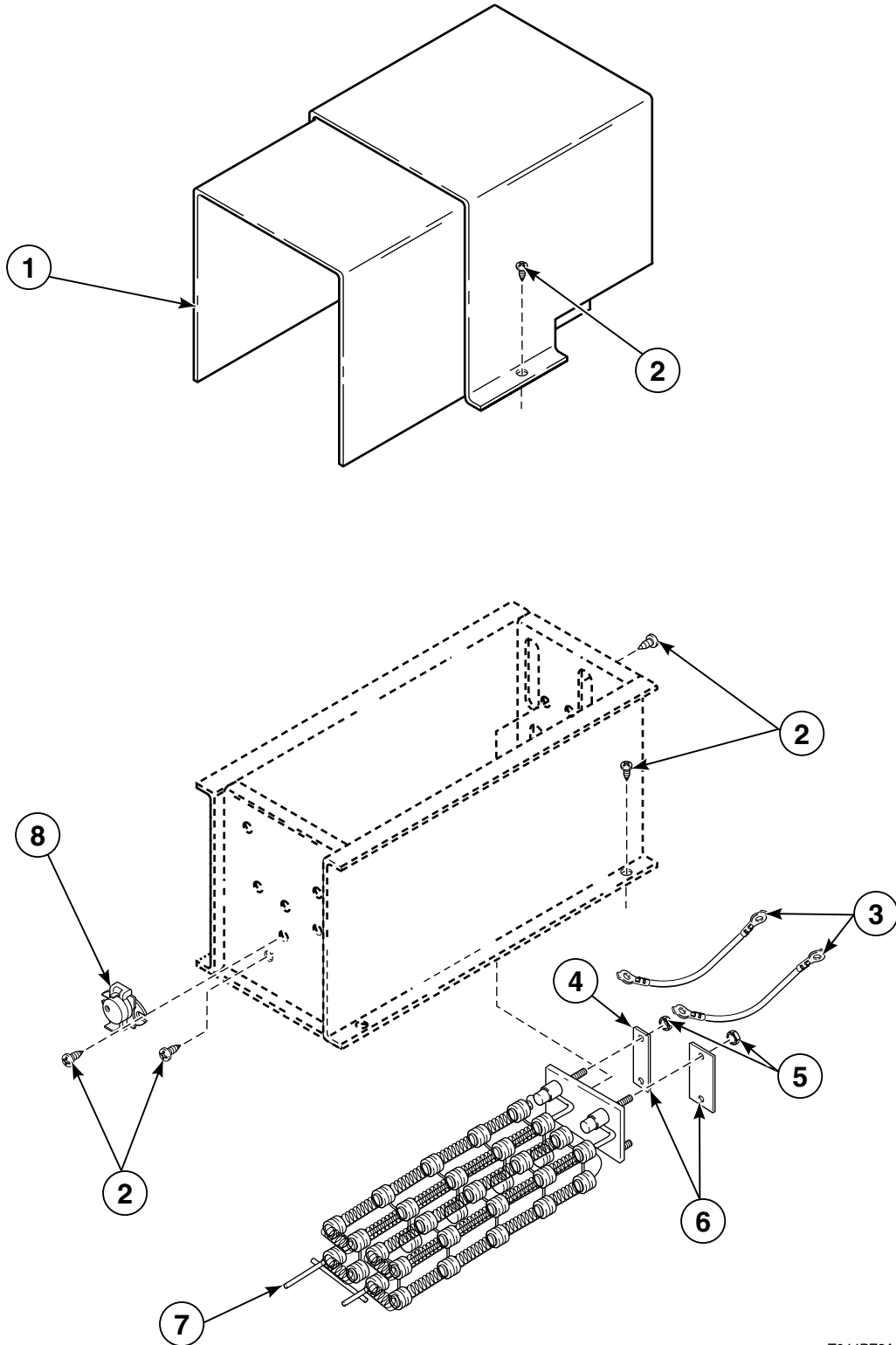
T517PE3A

## Burner Assembly for Australian Models

REF	PART #	DESCRIPTION	COMMENTS
1	M410990	High Voltage Lead	
2	M410904	Instant Electronic Ignition Control	
3	M411066	Transformer	
4	M411138	Sensor Jumper Wire	
5	M410220	Stove High Limit Thermostat	
6	M410907	Gas Valve	Natural Gas
	M410908	Gas Valve	L.P. Gas
7	M410905	Spark Igniter Assembly	

# Electric Heater Components and Thermostat

Through Serial No. 9304053995



T044PZ3A

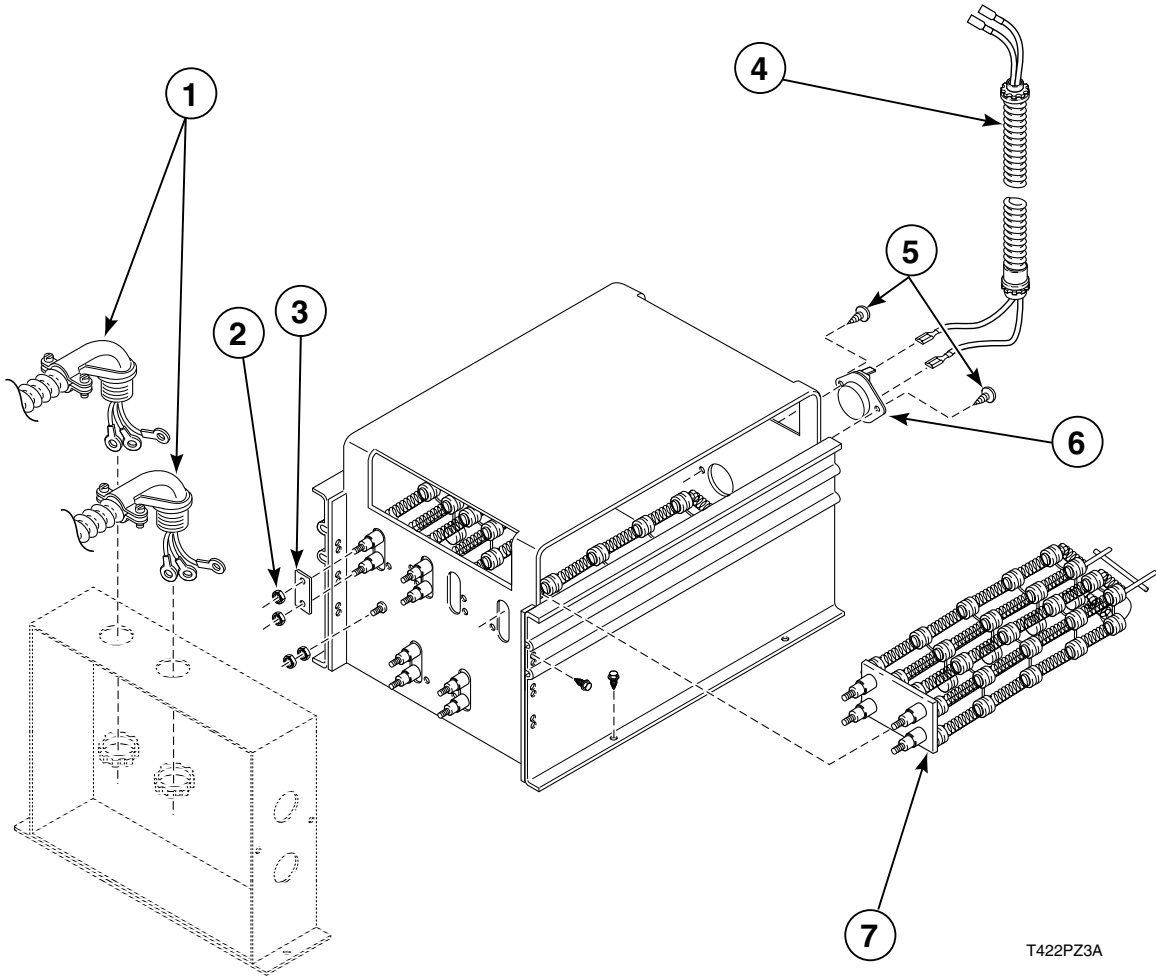
# Electric Heater Components and Thermostat

Through Serial No. 9304053995

REF	PART #	DESCRIPTION	COMMENTS
1	M401159	Hood Assembly	
2	M400664	Screw	
3	M401281	Heater Wire	208/240 Volts - 6 Required 480/415 Volts - 3 Required
	M403743	Heater Wire	480 Volts - 1 Required
4	M400866	Buss Bar	380/415 Volts - 3 Required 480 Volts - 2 Required
5	Q6163	Nut	
6	M400869	Buss Bar	208/240 Volts - 6 Required 380/415 Volts - 6 Required 480 Volts - 3 Required
7	M405254	Heater Elements - 10kW	208 Volts, 60 Hertz - 3 Required
	M405255	Heater Elements - 10kW	380 Volts, 50 Hertz 3 Phase - 3 Required
	M405256	Heater Elements - 10kW	240 Volts, 50 Hertz, 3 Phase, 240 Volts, 60 Hertz 3 Phase, 415 Volts, 50 Hertz, 3 Phase, 480 Volts, 60 Hertz 3 Phase - 3 Required
	M410940	Heater Element - 10kW	208 Volts - 3 Required
	M410939	Heater Element - 10kW	240-415-480 Volts - 3 Required
	M410941	Heater Element - 10kW	380 Volts - 3 Required
8	M405943	High Limit Thermostat	

# Electric Heater Components and Thermostat

Starting With Serial No. 9304053996



T422PZ3A



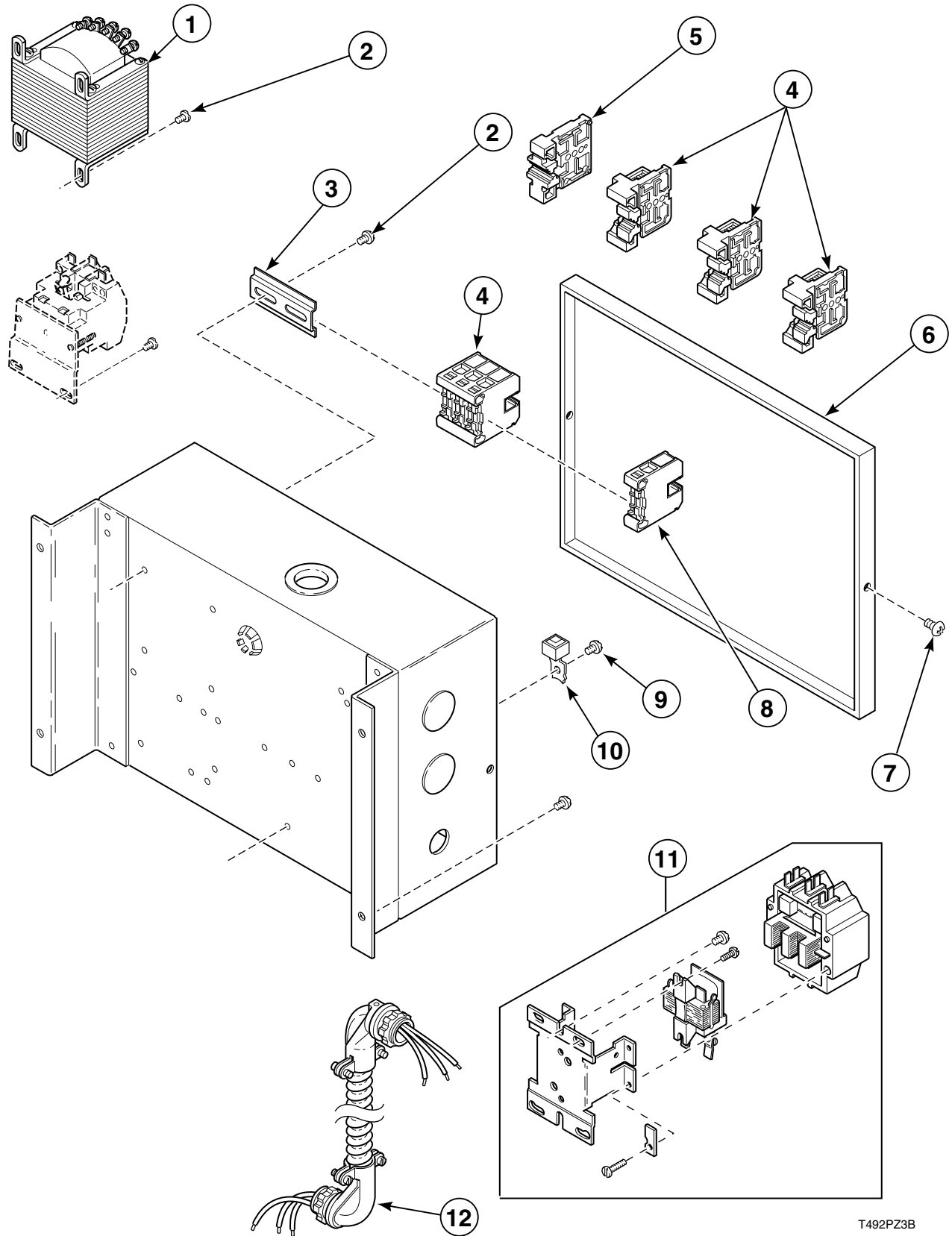
# Electric Heater Components and Thermostat

Starting With Serial No. 9304053996

REF	PART #	DESCRIPTION	COMMENTS
1	M412287	Jumper Wire	380/415 Volts - 1 Required, 480 Volts - 2 Required
2	Q6163	Nut	
	70054	Nut	DC/JC/SC Models
3	M400866	Buss Bar	208/240/380/415 Volts - 6 Required 480 Volts - 3 Required
	M400869	Buss Bar	480 Volts - 1 Required
4	M401281	Jumper Wire - 8 Gauge	208/240 Volts - 6 Required 380/415/480 Volts - 3 Required
	M412758	Heater Wire Harness - Reversing	208/240 Volts - 2 Required 380/415/480 Volts - 1 Required
	M411461	Limit Wire Harness	
5	M400664	Screw	
6	M409433	High Limit Thermostat	
7	M410939	Heater Element	10kW, 240 Volts 240/415/480 Volts Models
	M410940	Heater Element	10kW, 208 Volts 208 Volts Models
	M410941	Heater Element	10kW, 220 Volts 380 Volts Models
	M412955	Heater Element	7kW, 240 Volts 240 Volts, 50 Hertz, 1 Phase Models Only

# Electric Heat Contactor Box Components

Through Serial No. OTCK9412024853



T492PZ3B

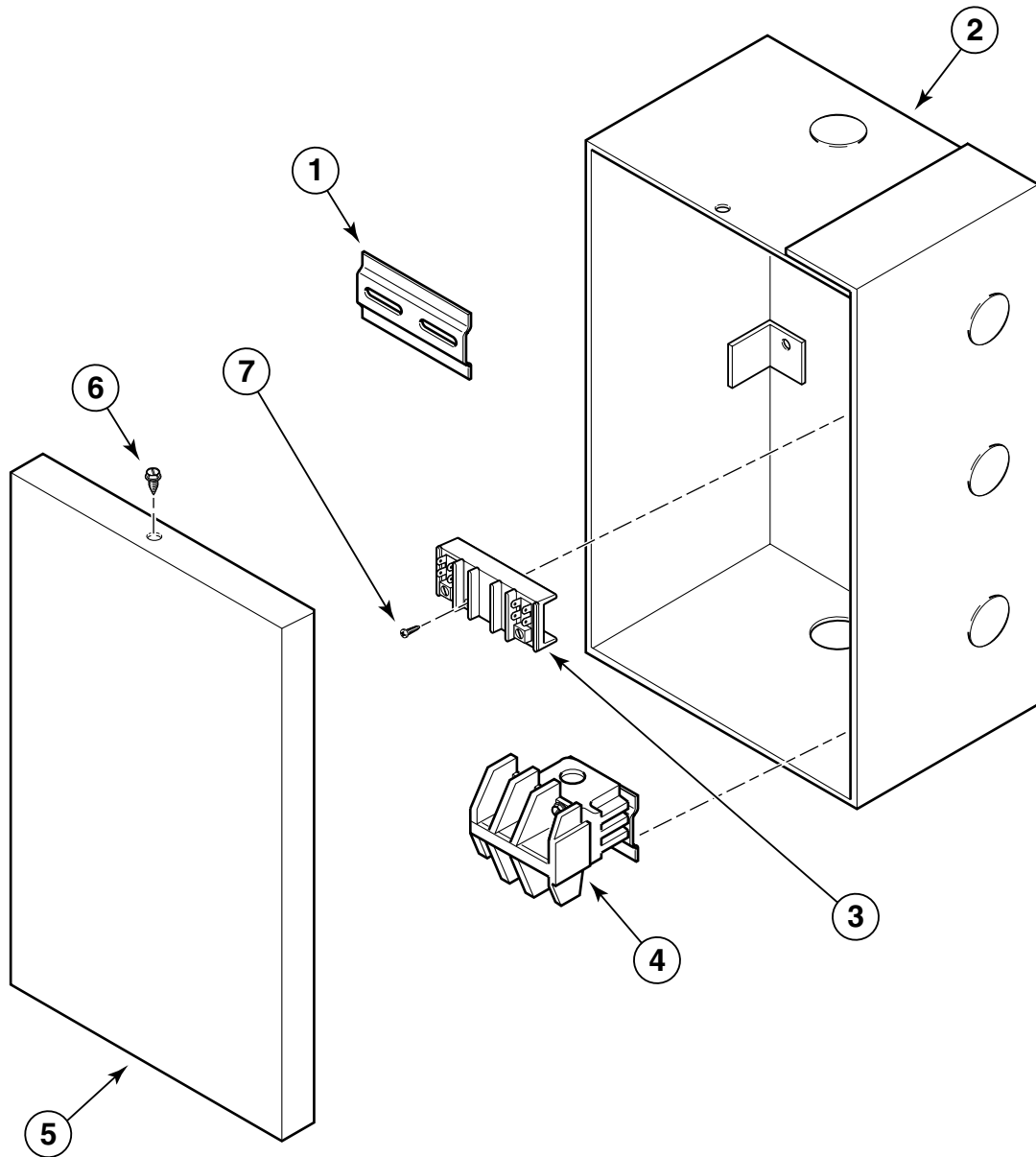
# Electric Heat Contactor Box Components

Through Serial No. OTCK9412024853

REF	PART #	DESCRIPTION	COMMENTS
1	M401391	Transformer	480 Volts Only
2	51780	Screw	
3	M412106	Din Rail	
4	M400685	Terminal Block	208/240/480V - 3 Required 240 Volts 1, Phase - 2 Required 380/415 Volts, 3 Phase - 4 Required
5	M400681	End Cap	
6	M412098	Cover	
7	M400664	Screw	
8	M412042	Terminal Block	380-415 Volts, 50 Hertz
9	M402917	Ground Screw	
10	M411283	Ground Lug	
11	M405116	Heater Contactor	120 Volts Control Circuit
	M400905	Heater Contactor	240 Volts Control Circuit
12	M405872	Wire Harness	Nonreversing With Junction Box, 208/240/380/415 Volts
REF	M412117	Wire	Not Shown, 208/240 Volts, 3 Phase - 6 Required
	M412117	Wire	Not Shown, 380/415/480 Volts, 3 Phase - 3 Required
	M412116	Wire	Not Shown, 240 Volts, 1 Phase - 6 Required
	M400914	Coil for Contactor M400905	

# Junction Box

Manual Timer (MM)



T510PZ3A

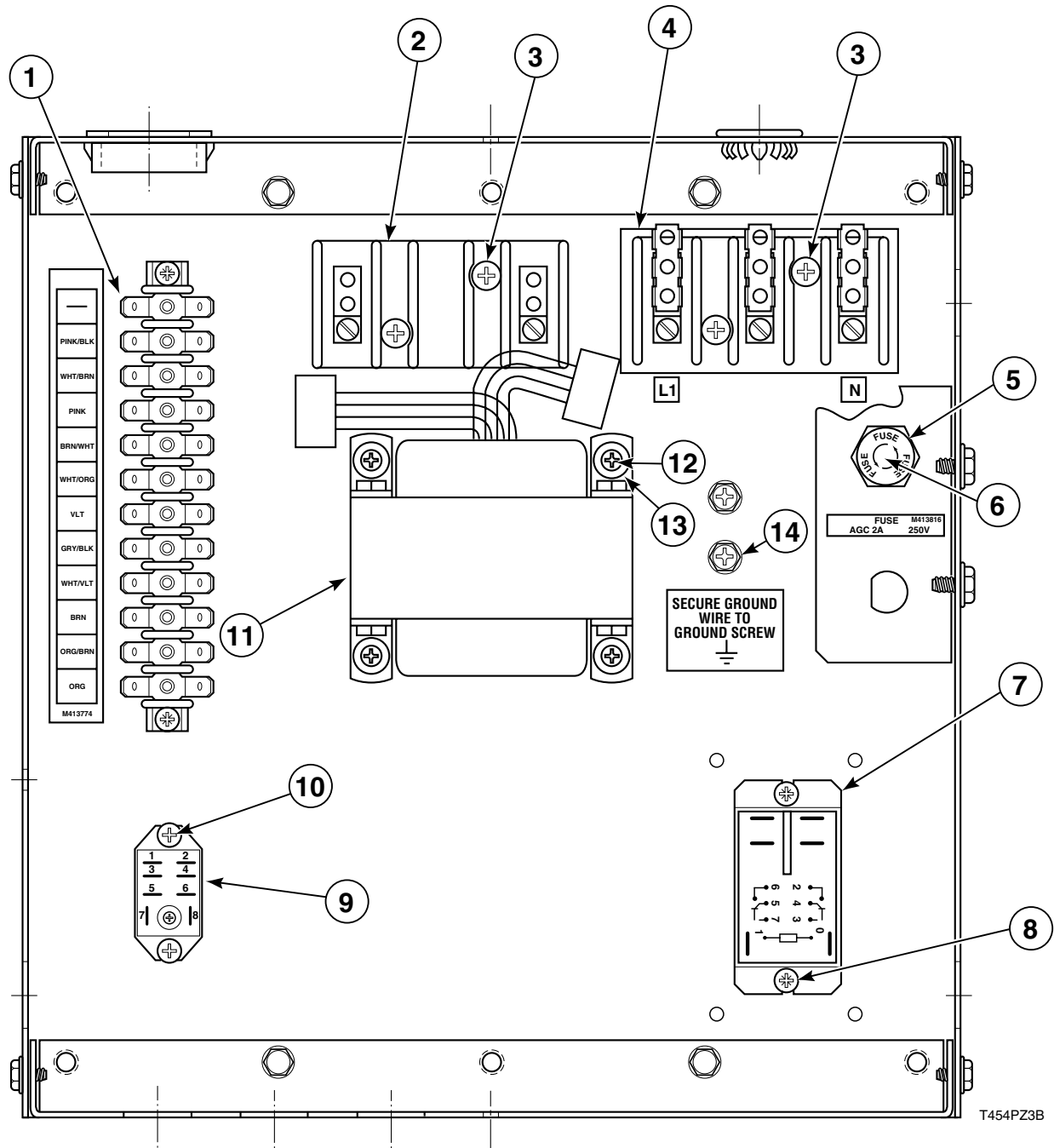
# Junction Box

Manual Timer (MM)

REF	PART #	DESCRIPTION	COMMENTS
1	M410501	Din Rail	
2	M410364	Junction Box	
3	M405364	Terminal Block	120 Volt Gas/Steam Models
	M405363	Terminal Block	208/240 Volt Gas Models
4	M410529	Fan Contactors	208-240-480 Volt
	M410457	Fan Contactors	480 Volt Reversing
5	M405308	Cover	
6	51780	Screw	
7	M405824	Screw	

# Contactor Box Assembly for OM Models

120 Volts, 60 Hertz, 1 Phase; 240 Volts, 50 Hertz, 1 Phase Gas and Steam; 240 Volts, 50 Hertz, 1 Phase Electric



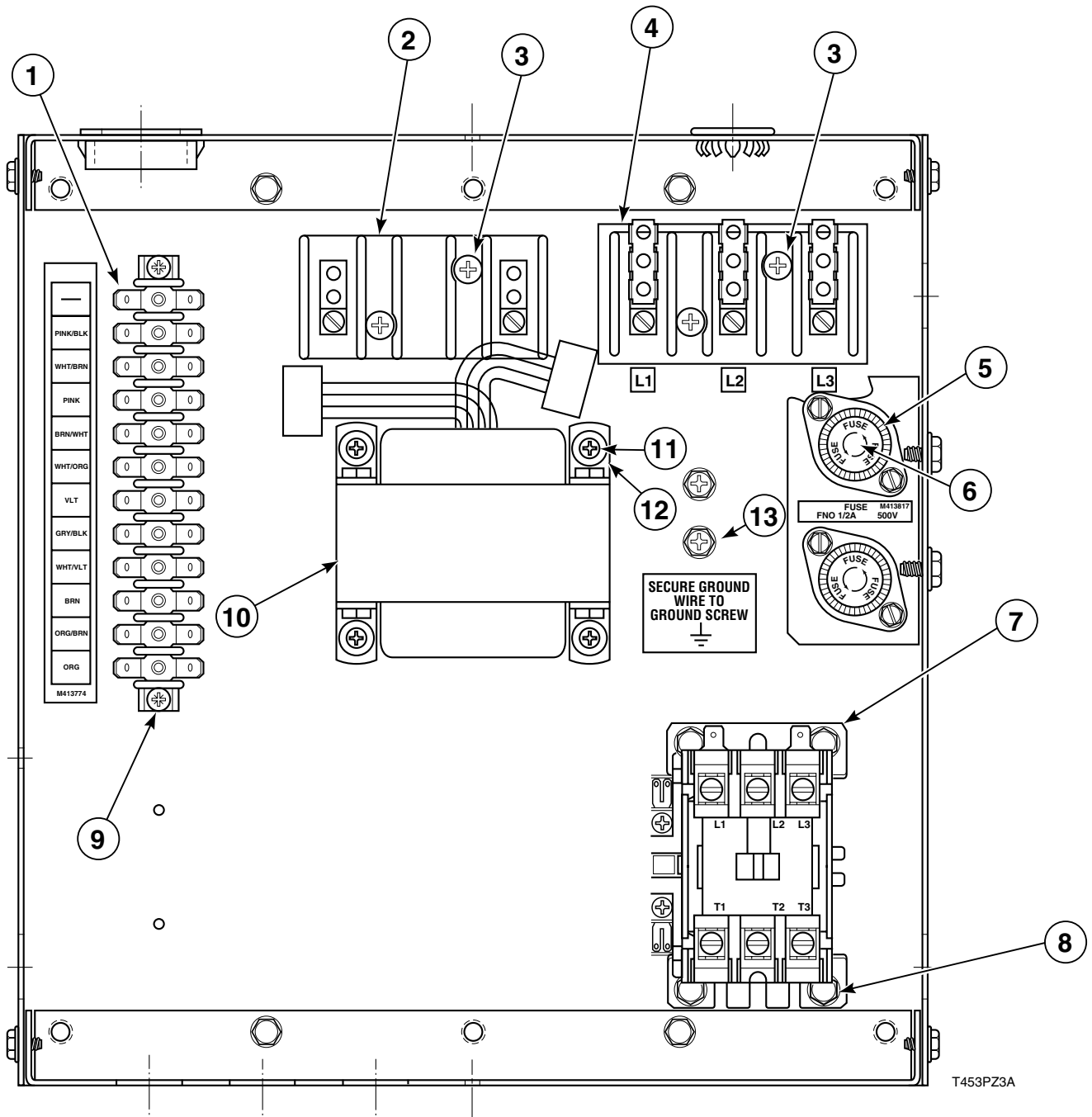
## Contactor Box Assembly for OM Models

120 Volts, 60 Hertz, 1 Phase; 240 Volts, 50 Hertz, 1 Phase Gas and Steam; 240 Volts, 50 Hertz, 1 Phase Electric

REF	PART #	DESCRIPTION	COMMENTS
1	M413542	Terminal Strip	
2	M405364	Terminal Block	2 Pole
3	M405824	Screw	
4	430642	Terminal Block	3 Pole
5	91024	Fuse Holder	
6	M413118	Fuse	250 Volts, 2 Amps
7	502501	Relay	
8	51778	Screw	
9	431349	Relay	120 Volts, 60 Hertz, 1 Phase Gas and Steam
	430746	Relay	240 Volts, 50 Hertz, 1 Phase Gas, Steam and Electric
10	M400071	Screw	
11	M414228	Transformer	
12	M400044	Screw	
13	23951	Nut	
14	M402917	Ground Screw	
REF	M413863	Network Capacitor Assembly	Not Shown
	M413930	Ferrite Core	Not Shown

# Contactor Box Assembly for OM Models

208-240 Volts, 60 Hertz, 1-3 Phase Gas & Steam; 380-415-480 Volts, 50-60 Hertz, 3 Phase Gas, Steam and Electric





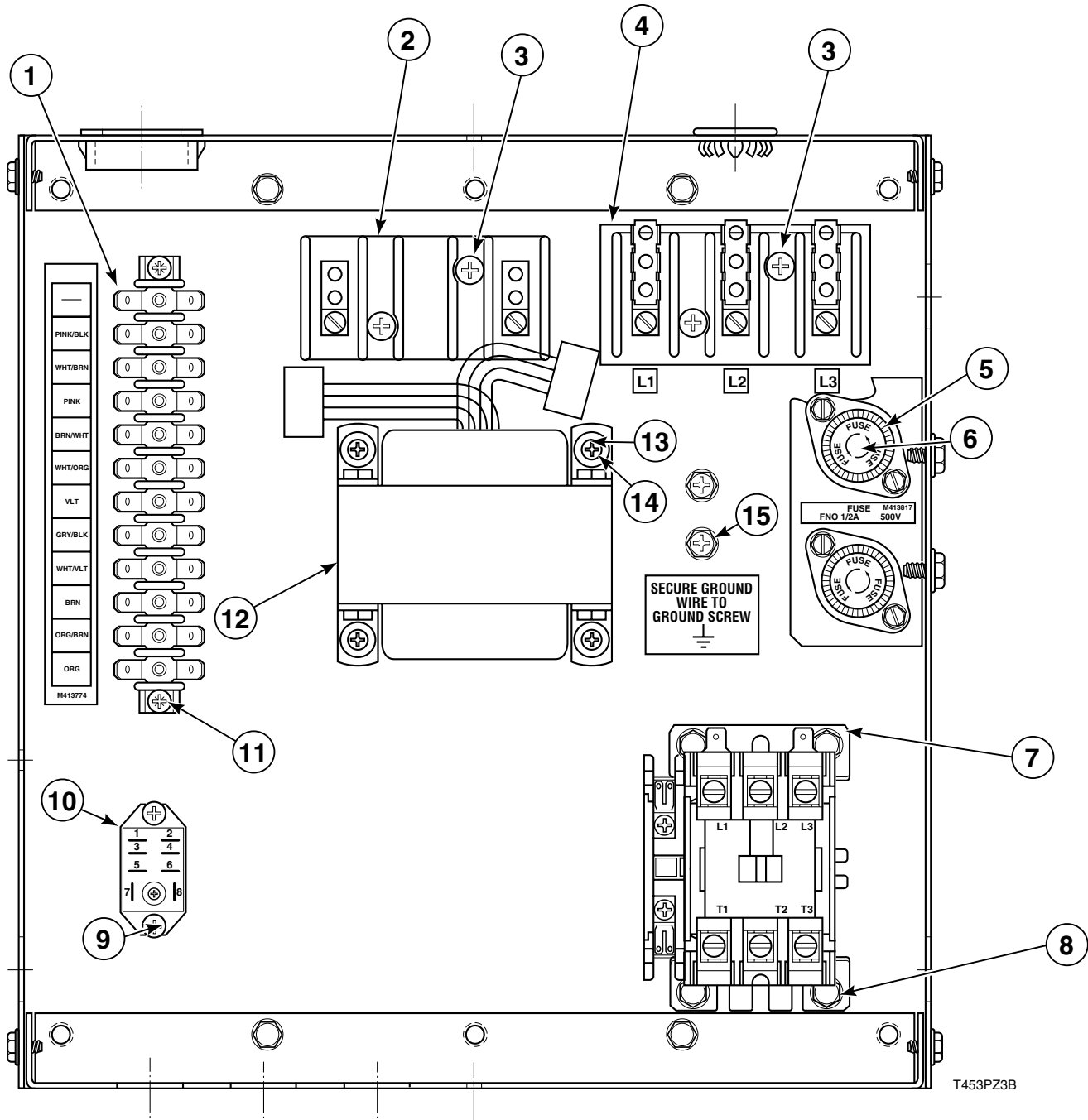
## Contactor Box Assembly for OM Models

208-240 Volts, 60 Hertz, 1-3 Phase Gas & Steam; 380-415-480 Volts, 50-60 Hertz, 3 Phase Gas, Steam and Electric

REF	PART #	DESCRIPTION	COMMENTS
1	M413542	Terminal Strip	
2	M405364	Terminal Block	2 Pole
3	M405824	Screw	
4	430642	Terminal Block	3 Pole
5	M413544	Fuse Holder	380-415-480 Volts, 50-60 Hertz, 3 Phase
	91024	Fuse Holder	208-240 Volts, 60 Hertz, 1-3 Phase
6	M413621	Fuse	600 Volts, 0.5 Amps, 380-415-480 Volts, 50-60 Hertz, 3 Phase
	M413118	Fuse	250 Volts, 2 Amps, 208-240 Volts, 60 Hertz, 1-3 Phase
7	M413614	Contactor	
8	51780	Screw	
9	51778	Screw	
10	M414229	Transformer	380-415-480 Volts, 50-60 Hertz, 3 Phase
	M414228	Transformer	208-240 Volts, 60 Hertz, 1-3 Phase
11	M400044	Screw	
12	23951	Nut	
13	M402917	Ground Screw	
REF	M413863	Network Capacitor Assembly	
	M413930	Ferrite Core	

# Contactor Box Assembly for OM Models

208-240 Volts, 50-60 Hertz, 3 Phase Electric



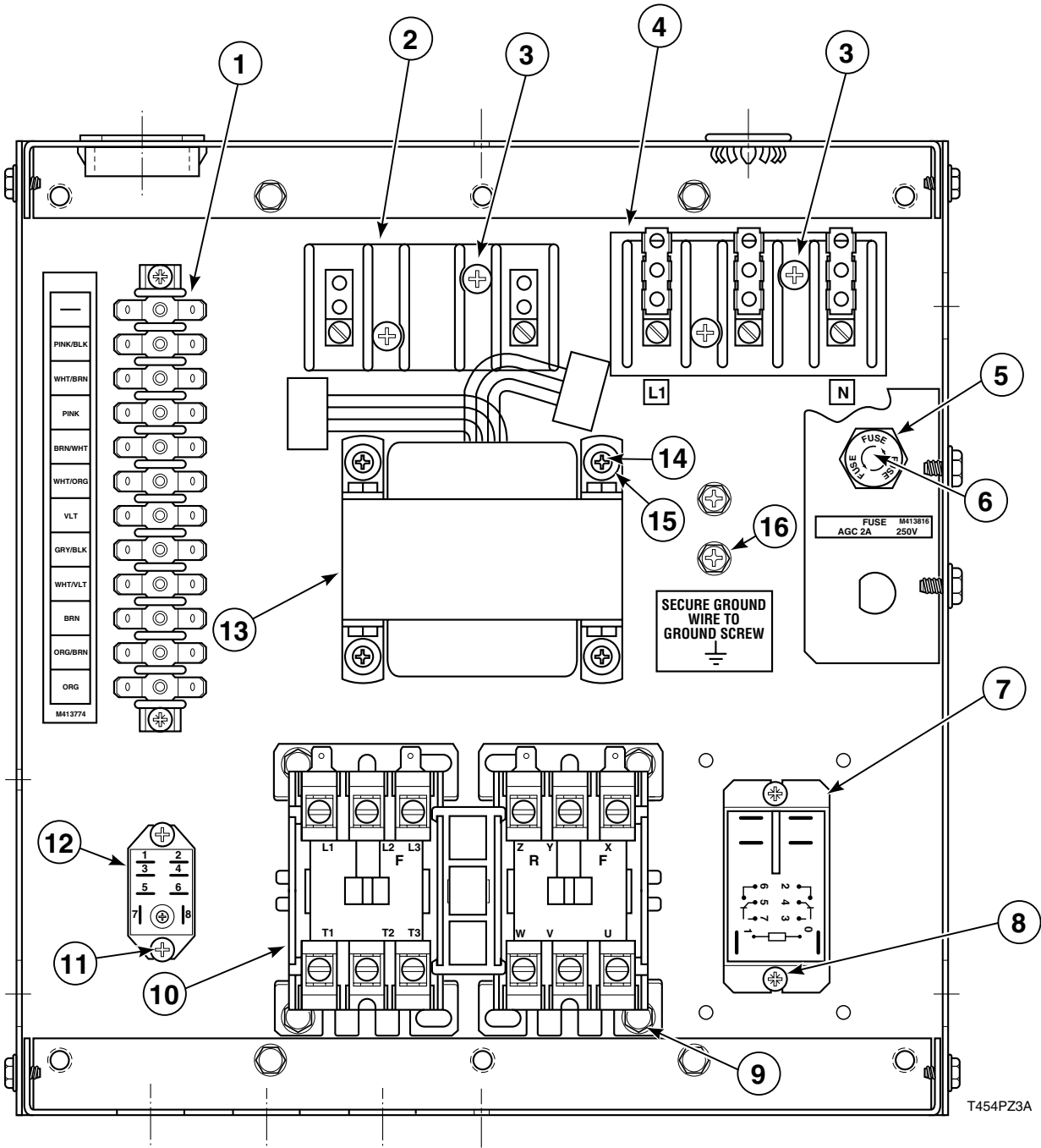
# Contactor Box Assembly for OM Models

208-240 Volts, 50-60 Hertz, 3 Phase Electric

REF	PART #	DESCRIPTION	COMMENTS
1	M413542	Terminal Strip	
2	M405364	Terminal Block	2 Pole
3	M405824	Screw	
4	430642	Terminal Block	3 Pole
5	91024	Fuse Holder	
6	M413118	Fuse	250 Volts, 2 Amps
7	M413614	Contactor	
8	51778	Screw	
9	M400071	Screw	
10	430746	Relay	
11	51780	Screw	
12	M414228	Transformer	
13	M400044	Screw	
14	23951	Nut	
15	M402917	Ground Screw	
REF	M413863	Network Capacitor Assembly	Not Shown
	M413930	Ferrite Core	Not Shown

# Contactor Box Assembly for OM Reversing Models

240 Volts, 50 Hertz, 1 Phase Gas, Steam and Electric



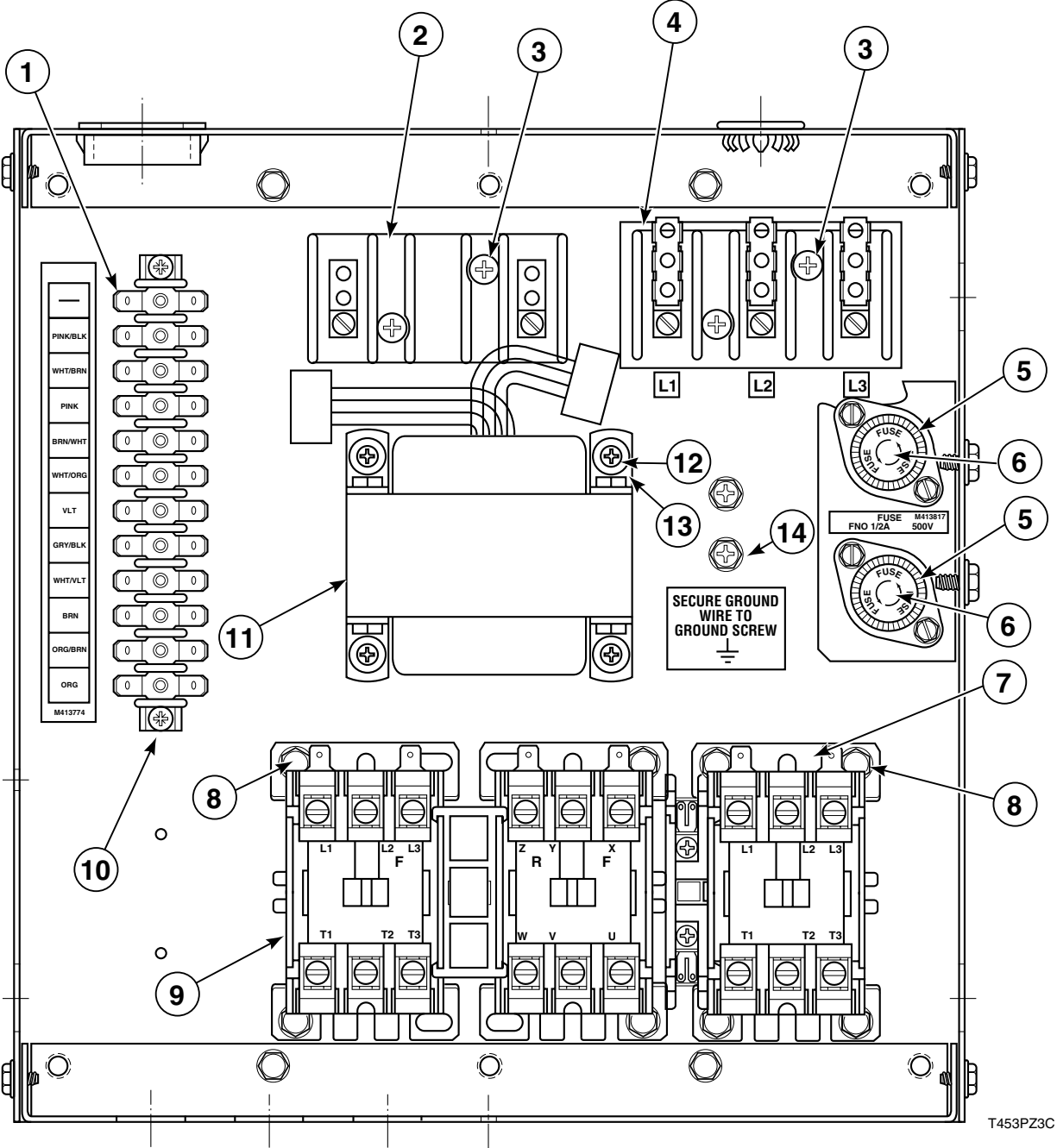
# Contactor Box Assembly for OM Reversing Models

240 Volts, 50 Hertz, 1 Phase Gas, Steam and Electric

REF	PART #	DESCRIPTION	COMMENTS
1	M413542	Terminal Strip	
2	M405364	Terminal Block	2 Pole
3	M405824	Screw	
4	430642	Terminal Block	3 Pole
5	91024	Fuse Holder	
6	M413118	Fuse	250 Volts, 2 Amps
7	502501	Relay	
8	51778	Screw	
9	51780	Screw	
10	M413615	Reversing Contactor	
11	M400071	Screw	
12	430746	Relay	
13	M414228	Transformer	
14	M400044	Screw	
15	23951	Nut	
16	M402917	Ground Screw	
REF	M413863	Network Capacitor Assembly	Not Shown
	M413930	Ferrite Core	Not Shown

# Contactor Box Assembly for OM Reversing Models

208-240-380-415-480 Volts, 50-60 Hertz, 3 Phase



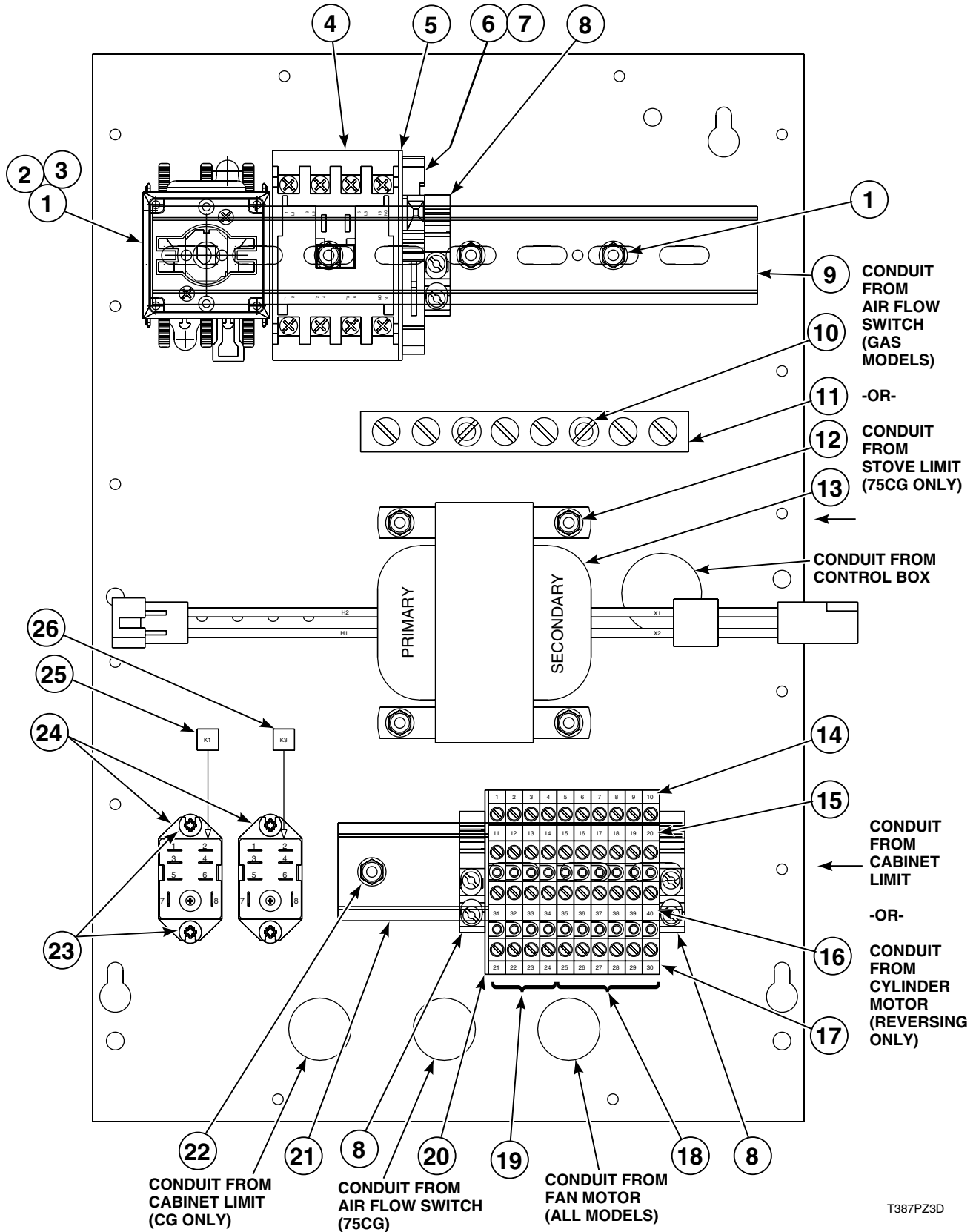
# Contactor Box Assembly for OM Reversing Models

208-240-380-415-480 Volts, 50-60 Hertz, 3 Phase

REF	PART #	DESCRIPTION	COMMENTS
1	M413542	Terminal Strip	
2	M405364	Terminal Block	2 Pole
3	M405824	Screw	
4	430642	Terminal Block	3 Pole
5	91024	Fuse Holder	208-240 Volts, 50-60 Hertz, 3 Phase
	M413544	Fuse Holder	380-415-480 Volts, 50-60 Hertz, 3 Phase
6	M413118	Fuse	250 Volts, 2 Amps; 208-240 Volts, 50-60 Hertz, 3 Phase
	M413621	Fuse	600 Volts, 0.5 Amps; 380-415-480 Volts, 50-60 Hertz, 3 Phase
7	M413614	Contactor	
8	51780	Screw	
9	M413615	Reversing Contactor	
10	51778	Screw	
11	M414228	Transformer	208-240 Volts, 50-60 Hertz, 3 Phase
12	M400044	Screw	
13	23951	Nut	
14	M402917	Ground Screw	
REF	M413863	Network Capacitor Assembly	Not Shown
	M413930	Ferrite Core	Not Shown

# Contactor Box Assembly for Gas Manual Timer Models

230 Volt, 50 Hertz, 1 Phase



T387PZ3D



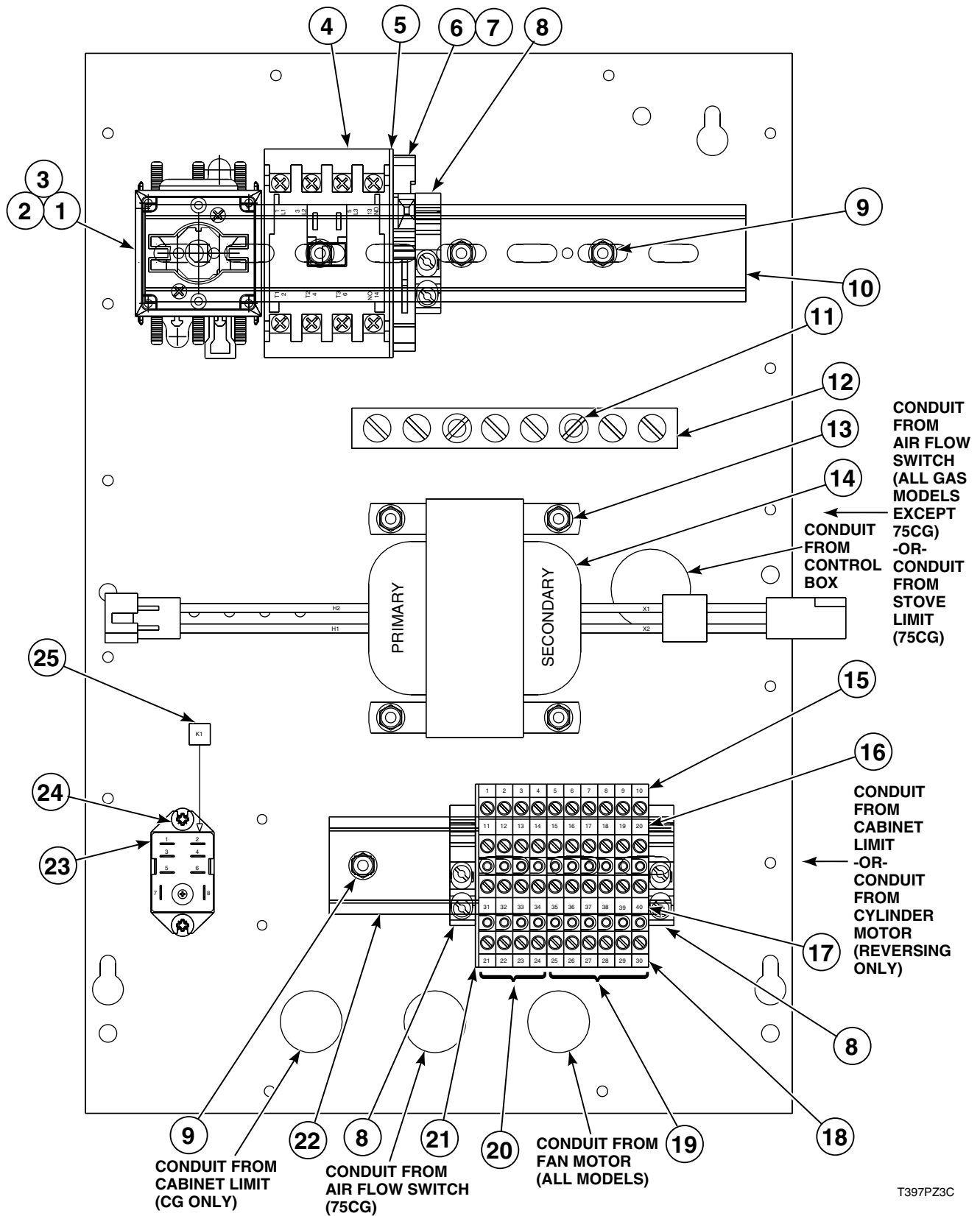
# Contactor Box Assembly for Gas Manual Timer Models

230 Volt, 50 Hertz, 1 Phase

REF	PART #	DESCRIPTION	COMMENTS
1	M412187	Base, Mounting Switch, 20 Amp	Includes 2 Terminal Blocks
2	M412366	Guard, Finger 20 Amp	
3	M412370	Handle	Includes 2 Screws
4	M412404	Contactor, Motor - 9 Amp	
5	M412540	Section, End	
6	M412537	Holder, Fuse- 230 Volt Primary	
7	502593	Fuse	
8	M412539	Stop, End- 230 Volt	
9	M412689	Rail, Din 215.9 mm	
10	M412688	Nut, Hex #12-24	
11	M412656	Buss, Ground	
12	33562	Screw	
13	M412477	Transformer, 230 Volt	
14	M412653	Label, 1-10	
15	M412654	Label, 11-20	
16	M412888	Label, 31-40	
17	M412887	Label, 21-30	
18	M412631	Block, Terminal - 2 Circ	
19	M412632	Block, Terminal - 1 Circ	
20	M412633	Barrier, End	
21	M412772	Rail, Din 127 mm	
22	51780	Screw, 10B-16 X 1/4 Hex Washer Hd	
23	501086	Screw, 8B-18 X 3/8 Ind Hex Head	
24	M412534	IRelay, 24 Volt, 50-60 Hertz, 1 Phase	
25	M413157	Label, Relay K1	
26	M413158	Label, Relay K3	
REF	M412636	Harness, Relay (K1, K2, K3)	Manual Timer Gas Models
REF	M412641	Harness, Transformer- Secondary	
REF	M412642	Harness, Transformer - Primary 240 Volt	
REF	M412644	Assembly, Harness Jumper 240 Volt Junction Box	

# Contactor Box Assembly for Steam Manual Timer Models

230 Volt 50 Hertz and 1 Phase



T397P23C

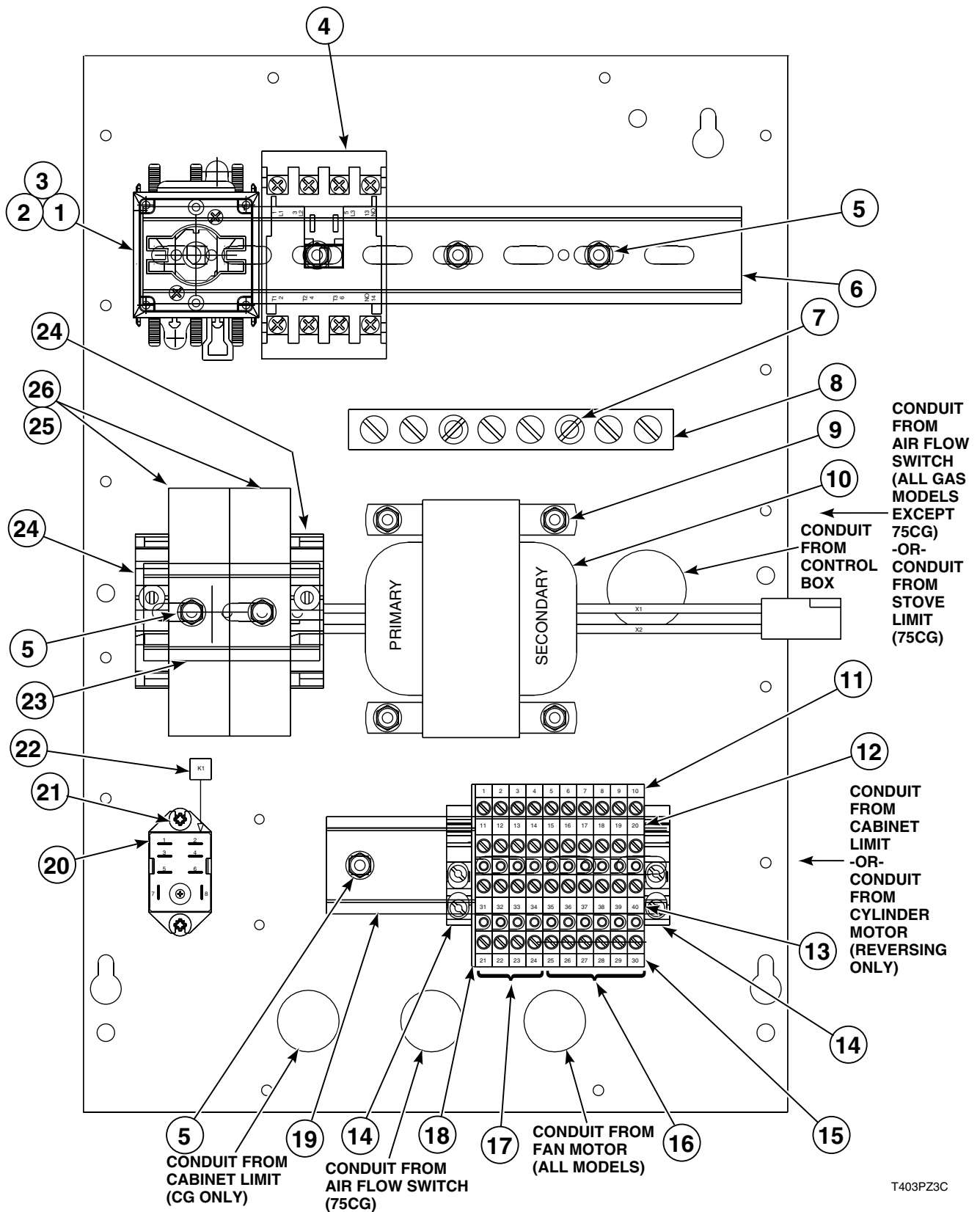
# Contactor Box Assembly for Steam Manual Timer Models

230 Volt 50 Hertz and 1 Phase

REF	PART #	DESCRIPTION	COMMENTS
1	M412370	Handle, Ext 20A Cut-to-Length	Includes 2 Screws
2	M412366	Guard, Finger 20 Amp	
3	M412187	Base, Mtg Switch 20A	With 2 Terminal Blocks
4	M412404	Contactor, Motor - 9A	
5	M412540	Section, End	
6	M412537	Holder, Fuse - 230 Volt Primary	
7	502593	Fuse	
8	M412539	Stop, End-230 Volt	
9	51780	Screw, Hex Washer Head	
10	M412689	Rail, Din 215.9 mm	
11	M412688	Nut, Hex #12-24	
12	M412656	Buss, Ground	
13	33562	Screw	
14	M412477	Transformer, 230 Volt	
15	M412653	Label, 1-10	
16	M412654	Label, 11-20	
17	M412888	Label, 31-40	
18	M412887	Label, 21-30	
19	M412631	Block, Terminal - 2 Circ	
20	M412632	Block, Terminal - 1 Circ	
21	M412633	Barrier, End	
22	M412772	Rail, Din 127 mm	
23	M412534	Relay, 24 Volt, 50-60 Hertz, 1 Phase	
24	501086	Screw, Hex Head	
25	M413157	Label, Relay K1	
REF	M412707	Harness, Relay (K1, K2) Steam- MT	
REF	M412641	Harness, Transformer - Secondary	
REF	M412642	Assembly, Harness Primary 240 Volt	
REF	M412644	Assembly, Harness Jumper 240 Volt Junction Box	

# Contactor Box Assembly for Steam Manual Timer Models

380/415 Volt, 50 Hertz, 3 Phase



T403PZ3C

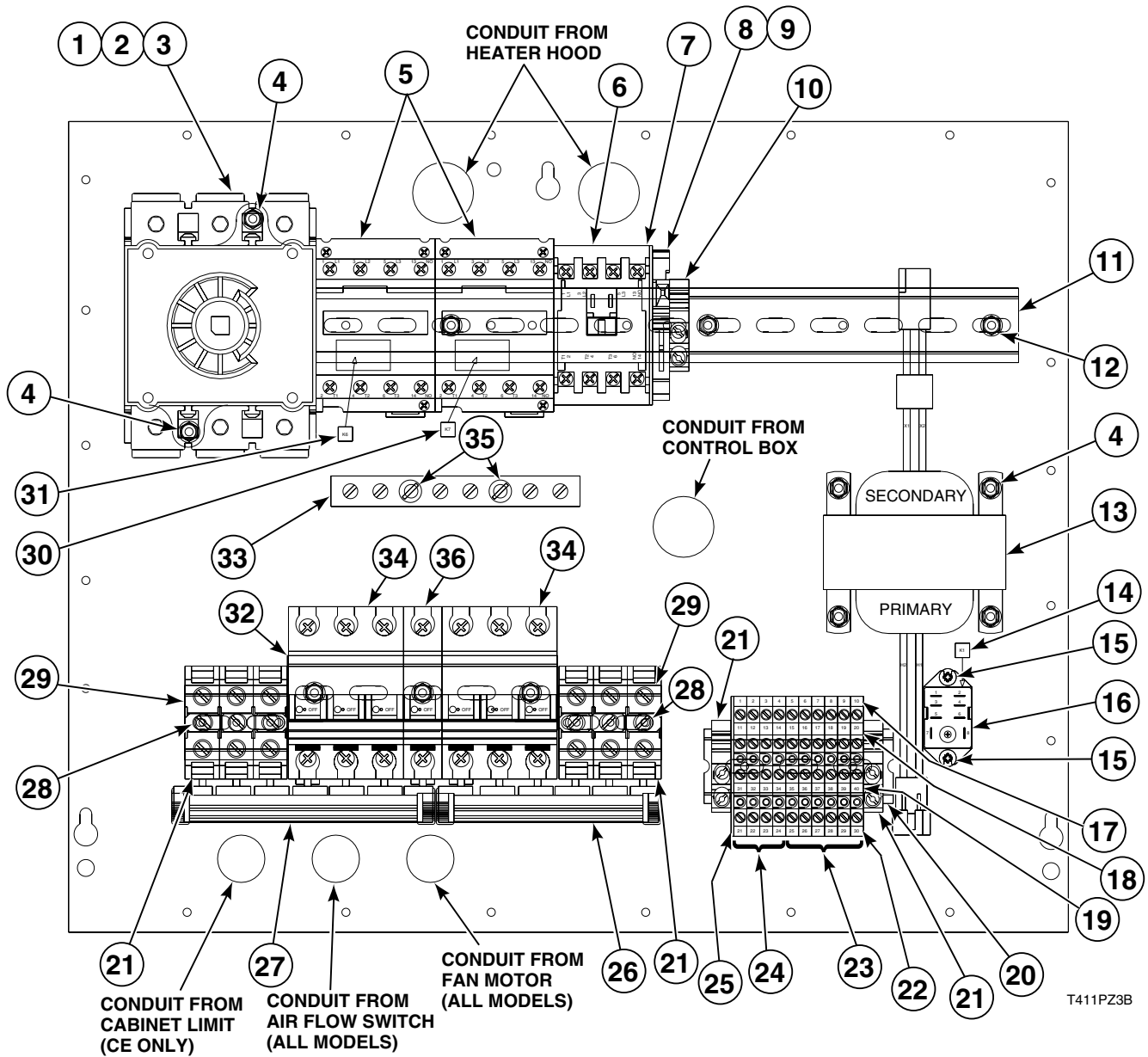
# Contactor Box Assembly for Steam Manual Timer Models

380/415 Volt, 50 Hertz, 3 Phase

REF	PART #	DESCRIPTION	COMMENTS
1	M412370	Handle	Includes 2 Screws
2	M412366	Guard, Finger 20 Amp	
3	M412187	Base, Mtg Switch 20A	Includes 2 Terminal Blocks
4	M412404	Contactor, Motor - 9A	
5	51780	Screw	
6	M412689	Rail, Din 215.9 mm	
7	M412688	Nut, Hex #12-24	
8	M412656	Buss, Ground	
9	33562	Screw	
10	M412412	Transformer, 400 Volt	
11	M412653	Label, 1-10	
12	M412654	Label, 11-20	
13	M412888	Label, 31-40	
14	M412539	Stop, End - 230 Volt	
15	M412887	Label, 21-30	
16	M412631	Block, Terminal - 2 Circ	
17	M412632	Block, Terminal - 1 Circ	
18	M412633	Barrier, End	
19	M412772	Rail, Din 127 mm	
20	M412534	Relay, 24 Volt/50-60 Hertz/1 Phase	
21	501086	Screw	
22	M413157	Label, Relay K1	
23	M412771	Rail, Din	
24	M412615	End, Stop	
25	M412538	Fuse Holder - 400 Volt Primary	
26	M412996	Fuse	
REF	M412641	Harness, Transformer - Secondary	
REF	M412778	Assembly, Harness Jumper Junction Box	
REF	M412707	Harness, Relay (K1, K2) Steam-Manual Timer	

# Contactor Box Assembly for Electric Coin Drop and Manual Timer Models

230 Volt, 50 Hertz, 1 Phase

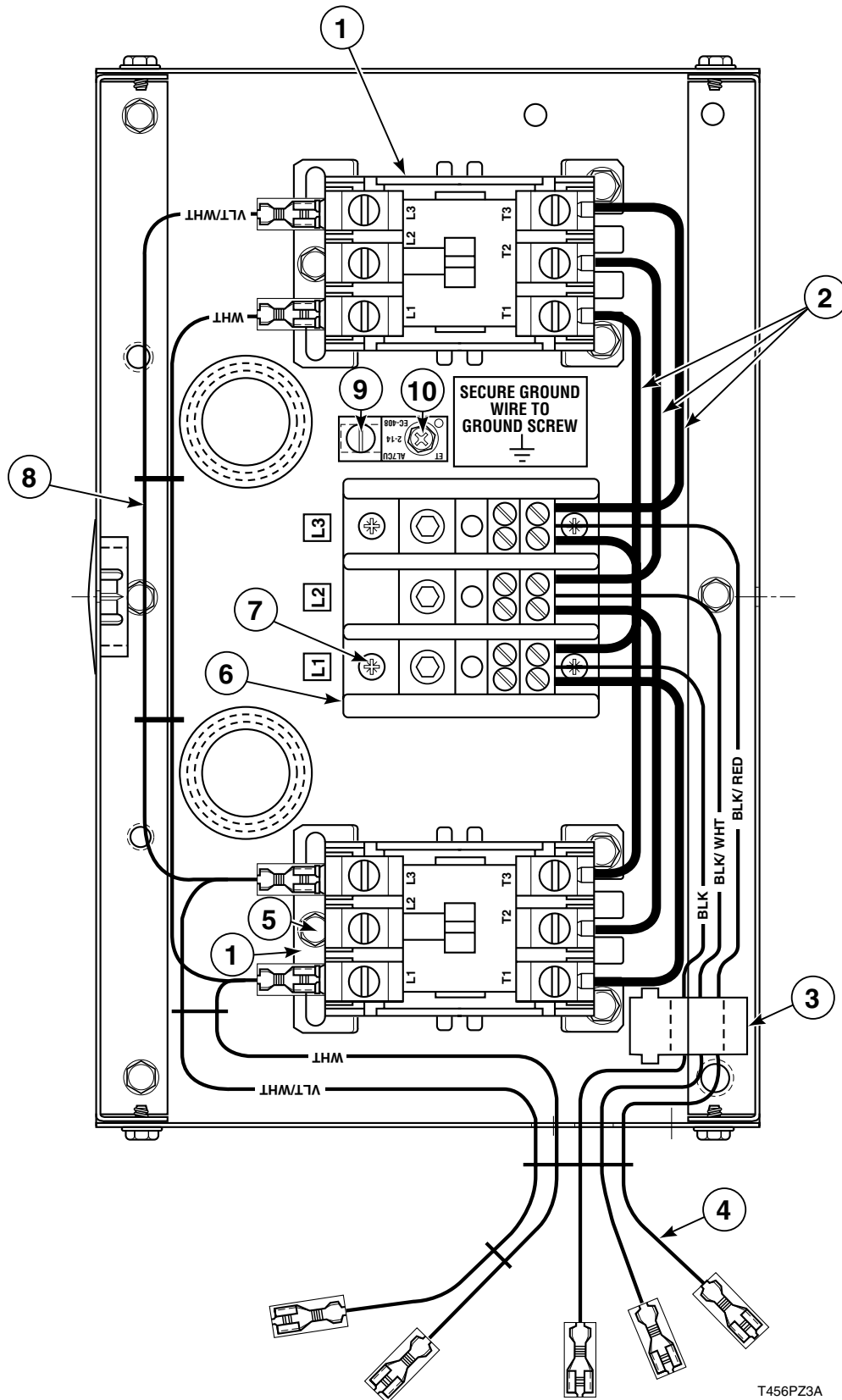


# Contactor Box Assembly for Electric Coin Drop and Manual Timer Models

230 Volt, 50 Hertz, 1 Phase

REF	PART #	DESCRIPTION	COMMENTS
1	M412186	Base, Mtg Switch 100A	Includes 2 Terminal Blocks
2	M412367	Guard, Finger 100 Amp	
3	M412371	Handle	Includes 2 Screws
4	33562	Screw	
5	M412403	Contactor, Electric 50A	
6	M412404	Contactor, Motor 9A	
7	M412540	End Section 230 Volt	
8	M412537	Fuseholder, 230 Volt Primary	
9	502593	Fuse, 250 Volt/.4A	
10	M412539	End Stop 230 Volt	
11	M412691	Din Rail, 330.2 mm	
12	51780	Screw	
13	M412477	Transformer, 240 Volt	
14	M413157	Label, Relay K1	Dual Timer Models
15	501086	Screw, 8B-18 X 3/8 Ind Hex Head	Dual Timer Models
16	M412534	Relay, 24 Volt/50-60 Hz/1Phase	Dual Timer Models
17	M412653	Label, 1-10	
18	M412654	Label, 11-20	
19	M412888	Label, 31-40	
20	M412692	Din Rail, 88.9 mm	
21	M412045	Terminal Block, 3 Pole	
22	M412887	Label, 21-30	
23	M412631	Terminal Block, 2 Circuit	
24	M412632	Terminal Block, 1 Circuit	
25	M412633	End Barrier	
26	M412754	Comb Buss Bar, 6 Position	
27	M412755	Comb Buss Bar, 7 Position	
28	M412415	Jumper Bar	
29	M412694	Din Rail, 48.3 mm	
30	M413160	Label, Contactor K7	
31	M413159	Label, Contactor K6	
32	M412690	Din Rail, 127 mm	
33	M412656	Ground Buss	
34	M412406	Circuit Breaker, 3 Pole 40 A	
35	M412688	Nut, Hex #12-24	
36	M412401	Circuit Breaker, 1 Pole 8 A	
REF	M412776	Harness, Relay Elec MT/LV	Dual Timer Models
REF	M412777	Harness, Relay Elec CD/LV	Coin Operated Models
REF	M412641	Harness, Transformer-Secondary	
REF	M412642	Harness, Transformer-Primary	
REF	M412798	Jumper Wire, 1 Phase Contactor Box	
REF	M412740	Jumper Cable, 8 ga	
REF	M412799	Jumper Cable, 2 ga	
REF	M412800	Jumper Cable, 2 ga	

# Accessory Box - Electric OM Models



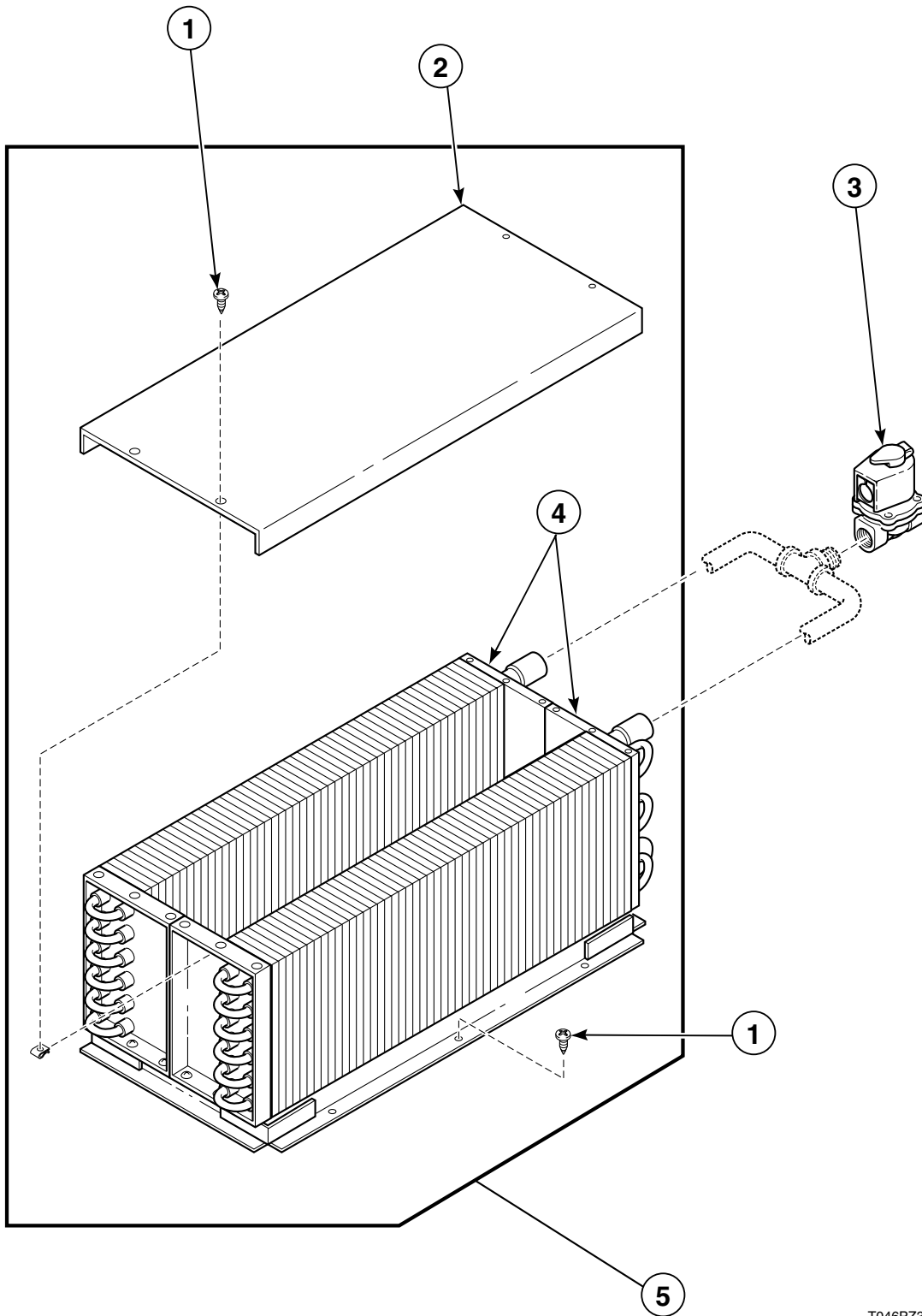
T456PZ3A



## Accessory Box - Electric OM Models

REF	PART #	DESCRIPTION	COMMENTS
1	M413616	Contactator	2 Required for 208-240 Volts
2	M413933	Jumper Cable	208-240 Volts, 50-60 Hertz, 3 Phase, 6 Required
	M413933	Jumper Cable	240 Volts, 50 Hertz, 1 Phase, 4 Required
	M413933	Jumper Cable	380-480 Volts, 50-60 Hertz, 3 Phase, 3 Required
	M413934	Jumper Cable	240 Volts, 50 Hertz, 1 Phase, 2 Required
3	M413930	Ferrite Core	
4	M413932	Wire Harness	240 Volts, 50 Hertz, 1 Phase
	M413696	Wire Harness	208-240 Volts, 50-60 Hertz, 3 Phase 380-480 Volts, 50-60 Hertz, 3 Phase
5	51780	Screw For Item 1	
6	M413864	Power Distribution Block	2 Pole, 240 Volts, 50 Hertz, 1 Phase
	M413865	Power Distribution Block	3 Pole, All 3 Phase
7	32671	Screw	
8	M413883	Jumper Harness	208-240 Volts, 50-60 Hertz, 1-3 Phase
9	M411283	Ground Lug	
10	M402917	Ground Screw	

# Steam Heater and Valve

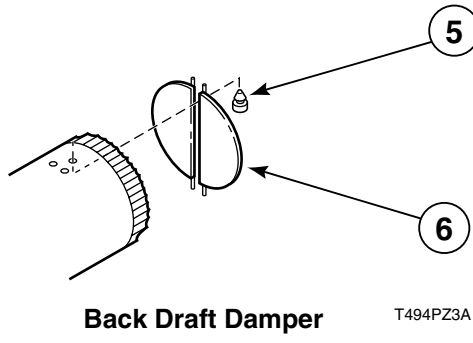
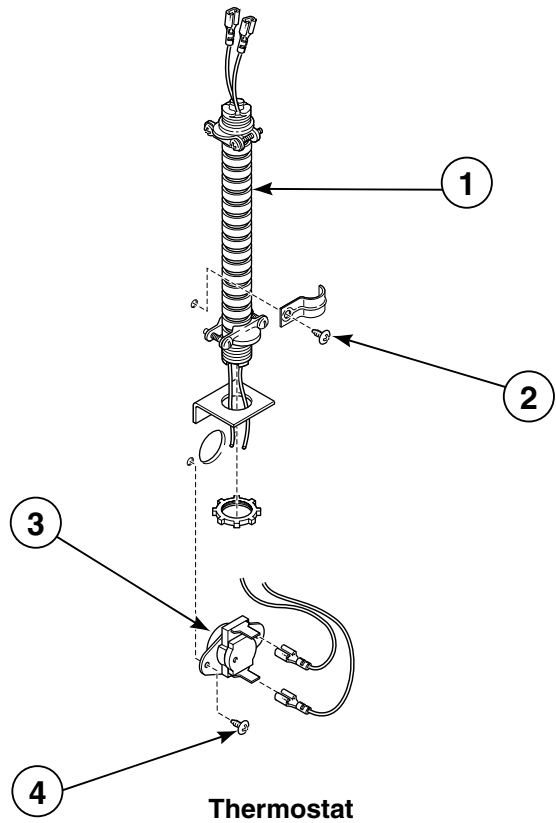


T046PZ3A

## Steam Heater and Valve

REF	PART #	DESCRIPTION	COMMENTS
1	M400664	Screw	
2	M400828	Cover	
3	M413295	Steam Valve	120 Volts, 60 Hertz
	M412241	Steam Valve	24 Volts, 50 Hertz European
	M413298	Steam Valve	240 Volts, 50 Hertz
	M413297	Steam Valve	240 Volts, 60 Hertz
	M413446	Steam Valve	24 Volts, 60 Hertz - OM Models
	M413445	Steam Valve	24 Volts, 50 Hertz Non European OM Models
4	M400637	Steam Coils	2 Required
	M413299	Coil for Steam Valve	120 Volts, 60 Hertz for M413295
	M412258	Coil for Steam Valve	24 Volts, 50 Hertz for M412241
	M413451	Coil for Steam Valve	24 Volts, 60 Hertz for M413446
	M413302	Coil for Steam Valve	240 Volts, 50 Hertz for M413298
	M413301	Coil for Steam Valve	240 Volts, 60 Hertz for M413297
5	M413572	Steam Heater	

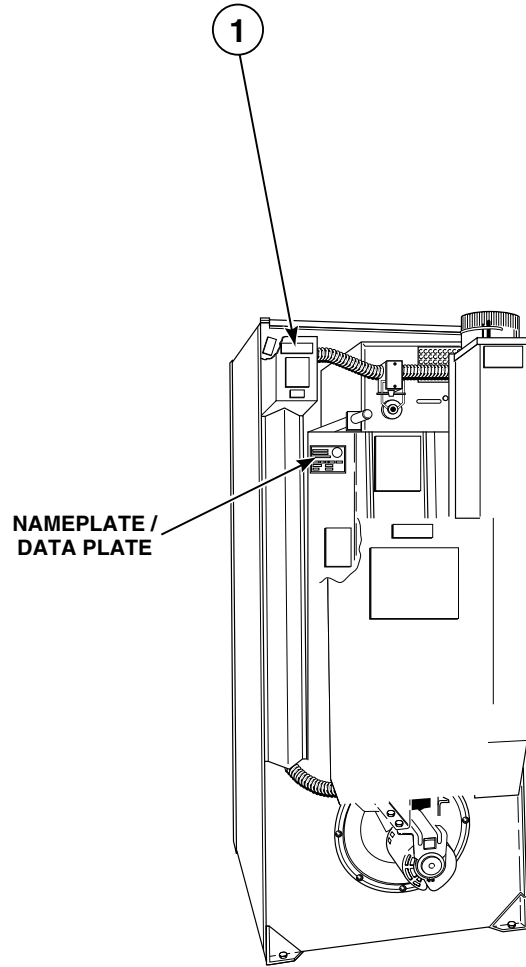
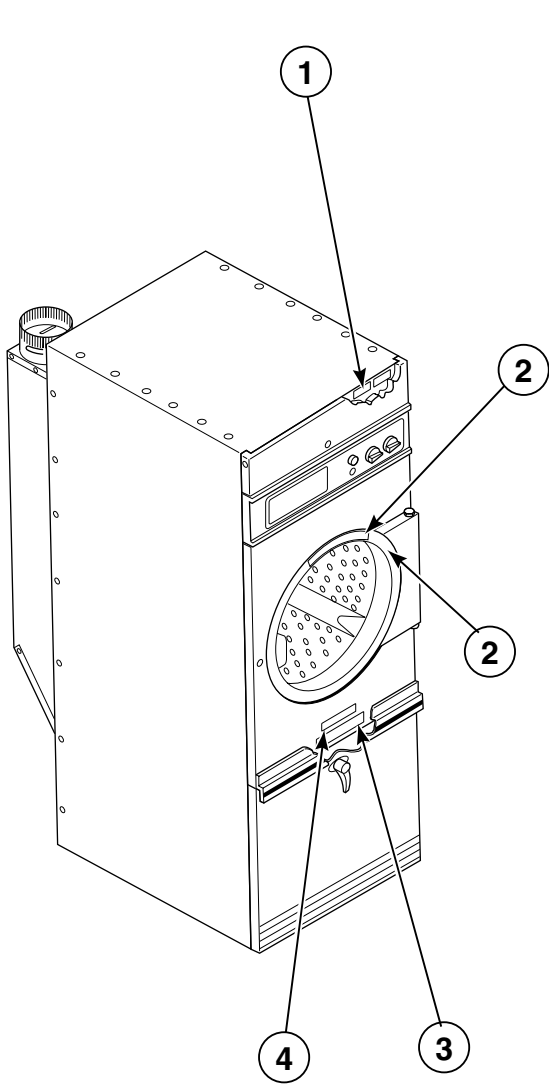
# Cabinet High Limit Thermostat and Backdraft Damper



## Cabinet High Limit Thermostat and Backdraft Damper

REF	PART #	DESCRIPTION	COMMENTS
1	M405380	Wire Harness	75EG
	M413693	Wire Harness	All Models Except EG
2	430497	Screw	
3	M406412	Cabinet High Limit Thermostat	75EG
	M410542	Thermostat	All Models Except EG
4	M400664	Screw	
5	M400795	Rubber Bumper	
6	M400503	Damper Vane	
REF	M413382	Thimble and Vane Assembly	

# Warning Decals



T384PZ3A

# Warning Decals

REF	PART #	DESCRIPTION	COMMENTS
1	500316	WARNING: Disconnect Power	Starting With Serial No. OTCK9304053996
	24903	WARNING: Disconnect Power	Through Serial No. OTCK9304053995
2	M410892	WARNING: Control Panel	Gas Models, Starting With OTCK9304053996
	M411088	WARNING: Control Panel	Electric and Steam Models, Starting With OTCK9304053996
3	430527	WARNING: Lint Screen - On Lint Panel	SC, ST, DC, and DT Models
	431106	WARNING: Lint Screen - On Lint Panel	JC and JT Models
4	M411087	Lint Screen Must Be Cleaned Daily	OM Front Panel

## Manual Dual Timer Control Panels

PART #	DESCRIPTION	COMMENTS
M409223	Control Panel With End Caps	Generic - Nonreversing Models
M411642	Control Panel With End Caps	Generic - Reversing Models
M410658	Control Panel With End Caps	JT75, Nonreversing
M410660	Control Panel With End Caps	JT75, Reversing
M413315	Control Panel With End Caps	DT75 and DTB75, Nonreversing
M413316	Control Panel With End Caps	DT75 and DTB75, Reversing
M410412	Control Panel With End Caps	ST75 and STB75, Nonreversing
M411154	Control Panel With End Caps	ST75 and STB75, Reversing
M411487	Control Panel, Complete	JT75 Nonreversing Gas, 60 Hertz
M411488	Control Panel, Complete	JT75 Nonreversing Electric, 208 - 240 Volts 60 Hertz
M411489	Control Panel, Complete	JT75 Nonreversing Electric, 480 Volts, 60 Hertz
M411490	Control Panel, Complete	JT75 Nonreversing Steam, 120 Volts, 60 Hertz
M411491	Control Panel, Complete	JT75 Nonreversing Steam, 208 - 240 Volts, 60 Hertz
M411492	Control Panel, Complete	JT75 Reversing Gas, 208 - 240 Volts, 60 Hertz
M411493	Control Panel, Complete	JT75 Reversing Electric, 208 - 240 Volts, 60 Hertz
M411494	Control Panel, Complete	JT75 Reversing Steam, 208 - 240 Volts, 60 Hertz
M410678	Control Panel, Complete	ST75 and STB75 Nonreversing Gas, 220 Volts, 50 Hertz
M410838	Control Panel, Complete	ST75 and STB75 Nonreversing Gas, 60 Hertz
M410839	Control Panel, Complete	ST75 and STB75 Nonreversing Electric, 208 - 240 Volts, 60 Hertz
M410840	Control Panel, Complete	ST75 and STB75 Nonreversing Steam, 120 Volts, 60 Hertz
M410841	Control Panel, Complete	ST75 and STB75 Nonreversing Steam, 208 - 240 Volts, 60 Hertz
M410842	Control Panel, Complete	ST75 and STB75 Nonreversing Electric, 480 Volts, 60 Hertz
M411146	Control Panel, Complete	ST75 and STB75 Reversing Gas, 60 Hertz
M411152	Control Panel, Complete	ST75 and STB75 Reversing Electric, 208 - 240 Volts, 60 Hertz
M411150	Control Panel, Complete	ST75 and STB75 Reversing Steam, 208 - 240 Volts, 60 Hertz
M414203	Control Panel with End Caps	SCB75CG/CE/CSH
M414204	Control Panel with End Caps	Reversing SCB75CG/CE/CSH
M414207	Control Panel with End Caps	JCB75CE/CG/CSH/CSL
M414208	Control Panel with End Caps	Reversing JCB75CE/CG/CSH/CSL
M413320	Control Panel with End Caps	Reversing DCB75CG/CE/CSH/CSL
M413310	Control Panel with End Caps	DCB75CG/CE/CSH/CSL
M402678	Control Panel with End Caps	Nonreversing Coin Models



## Coin Meter and Drop Assemblies and Front Plates

COUNTRY	TYPE	PART NUMBER	CURRENCY	FRONT PLATE PART NUMBER
South Africa	Coin Meter	M402508-12	20 cents	
Japan	Coin Meter	M402508-14	100 Yen	
Australia	Coin Meter	M402508-21	20 cents	
France	Coin Meter	M402508-24	2 New Francs	
South Africa	Coin Meter	M402508-27	50 cents	
Token	Coin Meter	M402508-31	STD 118-5	
Denmark	Coin Meter	M402508-34	1 Krone	
Token	Coin Meter	M402508-36	STD 118-1	
Australia	Coin Meter	M402508-37	1 Dollar	
Canada	Coin Meter	M402508-44	25 cents	
Spain	Coin Meter	M402508-45	25 peseta	
Token	Coin Meter	M402508-5	STD 118-1	
USA	Coin Meter	M405138	.25/10 min.	
Token	Coin Drop	M411601	STD 118-1	M411925
Canada	Single Coin Drop	M411602	0.25	M411612
France	Single Coin Drop	M411605	2 Franc	M411927
Hong Kong	Single Coin Drop	M411606	\$5	M411928
South Korea	Single Coin Drop	M411608	500 Won	M411930
Denmark	Single Coin Drop	M411704	1 Krone	M411932
Belgium	Single Coin Drop	M411706	5 Francs	M411934
Taiwan	Single Coin Drop	M411707	10 NT	M411935
South Africa	Single Coin Drop	M411708	2	M411936
USA	Single Coin Drop	M412001		M411612
England	Coin Meter	M412542	20 Pence	
France	Coin Meter	M412543	2 French Francs	
Denmark	Coin Meter	M412544	1 Danish Krone	
Belgium	Coin Meter	M412545	5 Belgium Francs	
Token	Coin Meter	M412546	STD118-1	
Token	Coin Meter	M412547	STD118-5	
France	Coin Meter	M413195	5 French Francs	
Australia				M411931
England				M411933
Token				M411929
Token				M411926
Thailand	Coin Drop	M411709		M411937

## Burner Orifice

All Gas Models Except Energy Saver (EG) and 634 OM/MM

GAS TYPE	ALTITUDE	DRILL SIZE	PART NUMBER.
<b>Natural Gas</b>	0 - 2000 feet	No. 28	M401014
	2001 - 4000 feet	No. 29	M400997
	4001 - 6000 feet	No. 30	M401021
	6001-8001 feet	No. 30	M401021
	6001 - 10000 feet	No. 31	M401017
<b>L.P. Gas</b>	0 - 2000 feet	No. 45	M401027
	2001 - 4000 feet	No. 46	M401003
	4001 - 6000 feet	No. 47	M400999
	6001 - 8000 feet	No. 48	M401001
	8001 - 10000 feet	No. 49	M401018

## Burner Orifice

Energy Saver (EG) Models

GAS TYPE	ALTITUDE	DRILL SIZE	PART NUMBER
<b>Natural Gas</b>	0 - 2000 feet	No. 30	M401021
	2001 - 4000 feet	No. 31	M401017
	4001 - 6000 feet	No. 31	M401017
	6000 - 8000 feet	No. 32	M402444
	8001 - 10000 feet	No. 33	M401022
<b>L.P. Gas</b>	0 - 2000 feet	No. 48	M401001
	2001 - 4000 feet	No. 49	M401018
	4001 - 6000 feet	No. 50	M401016
	6001 - 8000 feet	No. 51	M401019
	8001 - 10000 feet	No. 52	M401025

## Burner Orifice

634 OM and MM Models

GAS TYPE	ALTITUDE	DRILL SIZE	PART NO.
<b>Natural Gas</b>	0 - 2000 feet	No. 20	M401002
	2001 - 4000 feet	No. 23	M401020
	4001 - 6000 feet	No. 25	M402997
	6001 - 8000 feet	No. 27	M400998
	8001 - 10000 feet	No. 2	M400997
<b>L.P. Gas</b>	0 - 2000 feet	No. 40	M406361
	2001 - 4000 feet	No. 42	M403017
	4001 - 6000 feet	No. 43	M406184
	6001 - 8000 feet	No. 44	M401011
	8001 - 10000 feet	No. 45	M401027

## Motor Capacitors for Fan Motors (Nonreversing)

MOTOR CAPACITORS - STANDARD CONNECTION MOTORS		MOTOR CAPACITORS - QUICK CONNECT MOTORS	
CAPACITOR NO.	MOTOR NO.	CAPACITOR NO.	MOTOR NO.
M406291	M400383		M409439
M406292	M400390	M410301	M409735
M410301	M400382	M410296	M409438
		M410298	M412227
		M410299	M412226
		M410300	M412225

**MODEL: 75CG**  
**INPUT: 48.3 kW**

Gas type	UK	IE	PT	ES	IT	DK	NO	SE	FI	DE	NL	BE	FR	AT	GAS FAMILY & GROUP	INJECTOR $\phi$	INJECTOR QTY & P/N	INLET PRESSURE	GOVERNOR/REGULATOR	INJECTOR PRESSURE
Natural gas	N	N	N	N	N	N	N	N	N	N				N	Second family Group H (E)	3.6 mm	3 M401014	20 mbar	yes	8.9 mbar
											n				Second family Group L (LL)	3.6 mm	3 M401014	25 mbar	yes	12.6 mbar
												C	C		Second family Group E+	2.9 mm	3 M402444	20, 25 mbar	no	unregulated
LP gas						I	I	I	I	I	I				Third family Group B/P	2.0 mm	3 M400999	30 mbar	no	unregulated
										C			C		Third family Group B/P	2.0 mm	3 M400999	50 mbar	yes	28.3 mbar
	L	L	L	L	L							L	L		Third family Group 3+	2.0 mm	3 M400999	28, 37 mbar	no	unregulated

N - Available as a factory order as "Natural gas," configured for Second Family, Group H (E) at 20 mbar.  
n - Available as a factory order as "Natural gas," but country sticker, P/N 503382, must be applied to data plate.  
L - Available as a factory order as "LP gas," configured for Third Family, Group 3+ at 28 mbar.  
I - Available as a factory order as "LP gas," but country sticker, P/N 503382, must be applied to data plate.  
C - Modification with 75CG EU gas conversion kit, P/N M4633P3, required for these gas families and groups; not available as a factory order.  
OPEN - No approval available.

Special cases:  
For LPG Third Family, Group B/P at 50 mbar, order "Natural Gas" (regulated) and 75CG EU gas conversion kit, P/N M4633P3.

# Fan Motors

Nonreversing Models

STANDARD CONNECTION MOTORS NONREVERSING MODELS THROUGH SERIAL NO. 684486YA				QUICK DISCONNECT MOTORS NONREVERSING MODELS STARTING WITH SERIAL NO. 684487YA		
ELECTRICAL SERVICE TO TUMBLER				ELECTRICAL SERVICE TO TUMBLER		
	MOTOR NO.	WIRE HARNESS NO.			MOTOR NO.	WIRE HARNESS NO.
Gas Models		75CG	75EG	Gas Models		75CG and 75EG
120 Volts, 60 Hertz, 1 Phase	M411191	M409488	M409488	120 Volts, 60 Hertz, 1 Phase	M412227	M409488
208 Volts, 60 Hertz, 1 Phase	M411191	M409489	M409489	208 Volts, 60 Hertz, 1 Phase	M412227	M409489
208 Volts, 50 Hertz, 1 Phase	M412226	M409488	M409488	208 Volts, 50 Hertz, 1 Phase	M412226	M409488
240 Volts, 60 Hertz, 1 Phase	M411191	M409489	M409489	240 Volts, 60 Hertz, 1 Phase	M412227	M409489
208 Volts, 60 Hertz, 3 Phase	M411188	M411827	M411827	208 Volts, 60 Hertz, 3 Phase	M412518	M411827
240 Volts, 60 Hertz, 3 Phase	M411188	M411827	M411827	240 Volts, 60 Hertz, 3 Phase	M412518	M411827
480 Volts, 60 Hertz, 3 Phase	M411188	M411827	M411827	480 Volts, 60 Hertz, 3 Phase	M412518	M411827
Electric Models		75CE		Electric Models		
208 Volts, 60 Hertz, 3 Phase	M411191	M409488		208 Volts, 60 Hertz, 3 Phase	M412227	M409488
240 Volts, 60 Hertz, 3 Phase	M411191	M409488		240 Volts, 60 Hertz, 3 Phase	M412227	M409488
380 Volts, 50 Hertz, 3 Phase	M412226	M409488		380 Volts, 50 Hertz, 3 Phase	M412226	M409488
415 Volts, 50 Hertz, 3 Phase	M412226	M409488		415 Volts, 50 Hertz, 3 Phase	M412226	M409488
480 Volts, 60 Hertz, 3 Phase	M411188	M411827		480 Volts, 60 Hertz, 3 Phase	M412518	M411827
High Pressure Steam Models		75CSH		High Pressure Steam Models		
120 Volts, 60 Hertz, 1 Phase	M411191	M409490		120 Volts, 60 Hertz, 1 Phase	M412227	M409490
208 Volts, 60 Hertz, 1 Phase	M411191	M409490		208 Volts, 60 Hertz, 1 Phase	M412227	M409490
208 Volts, 60 Hertz, 3 Phase	M411188	M411829		208 Volts, 60 Hertz, 3 Phase	M412518	M411829
240 Volts, 50 Hertz, 1 Phase	M412226	M409490		240 Volts, 50 Hertz, 1 Phase	M412226	M409490
240 Volts, 60 Hertz, 1 Phase	M411191	M409490		240 Volts, 60 Hertz, 1 Phase	M412227	M409490
240 Volts, 60 Hertz, 3 Phase	M411188	M411829		240 Volts, 60 Hertz, 3 Phase	M412518	M411829
Low Pressure Steam Models		75CSL		Low Pressure Steam Models		
120 Volts, 60 Hertz, 1 Phase	M411191	M409490		120 Volts, 60 Hertz, 1 Phase	M412227	M409490
208 Volts, 60 Hertz, 1 Phase	M411191	M409490		208 Volts, 60 Hertz, 1 Phase	M412227	M409490
208 Volts, 60 Hertz, 3 Phase	M411188	M411829		208 Volts, 60 Hertz, 3 Phase	M412518	M411829
240 Volts, 60 Hertz, 1 Phase	M411191	M409490		240 Volts, 60 Hertz, 1 Phase	M412227	M409490
240 Volts, 60 Hertz, 3 Phase	M411188	M411829		240 Volts, 60 Hertz, 3 Phase	M412518	M411829

# Fan Motors and Wire Harnesses

Reversing Models

	MOTOR NO.	HARNESS NO.
<b>Gas Models - 75CG and 75EG</b>		
1/3 HP, 240 Volts, 50 Hertz, 1 Phase	M409735	75CG: M409490 75EG: M409488
1/3 HP, 208 Volts, 60 Hertz, 3 Phase	M412516	M411828
1/3 HP, 240 Volts, 60 Hertz, 3 Phase	M412516	M411828
1/3 HP, 380 Volts, 50 Hertz, 3 Phase	M412516	M411827
1/3 HP, 415 Volts, 50 Hertz, 3 Phase	M412516	M411827
1/3 HP, 480 Volts, 60 Hertz, 3 Phase	M412516	M411827
<b>Electric Models - 75CE</b>		
1/3 HP, 208 Volts, 60 Hertz, 1 Phase and 3 Phase	M409438	M409488
1/3 HP, 240 Volts, 50 Hertz, 3 Phase	M409735	
1/3 HP, 240 Volts, 60 Hertz, 3 Phase	M409438	M409488
1/3 HP, 380 Volts, 50 Hertz, 3 Phase	M412516	M411827
1/3 HP, 415 Volts, 50 Hertz, 3 Phase	M412516	M411827
1/3 HP, 480 Volts, 60 Hertz, 3 Phase	M412516	M411827
<b>High Pressure Steam Models - 75 CSH</b>		
1/3 HP, 240 Volts, 50 Hertz, 1 Phase	M409735	M409490
1/3 HP, 208 Volts, 60 Hertz, 3 Phase	M412516	M411829
1/3 HP, 240 Volts, 60 Hertz, 3 Phase	M412516	M411829
1/3 HP, 380 Volts, 50 Hertz, 3 Phase	M412516	M411829
1/3 HP, 415 Volts, 50 Hertz, 3 Phase	M412516	M411829
1/3 HP, 480 Volts, 60 Hertz, 3 Phase	M412516	M411829
<b>Low Pressure Steam Models - 75 CSL</b>		
1/2 HP, 208 Volts, 60 Hertz, 3 Phase	M412516	M411829
1/2 HP, 240 Volts, 60 Hertz, 3 Phase	M412516	M411829

## Wire Harness Table

PART NO.	HARNESS FUNCTION	USAGE
M413696	Accessory Box	CE OM
M413883	Accessory Box Jumper Set	CE, OM 208-240 Volts, 50-60 Hertz, 3 Phase
M412575	Air Flow Switch	All CE - European
M413689	Air Flow Switch to Cabinet High Limit Thermostat	CE OM
M413168	Bypass Harness	CG, CE, CSH, CSL OM Reversing
M405380	Cabinet High Limit to Stove High Limit Thermostat	EG Manual Timer
M412578	Cable, Ignition Control	Gas models with Dungs ignition control
M413878	Capacitor Network	All OM Models
M413824	Contactactor Box	CG, OM Australia
M413754	Contactactor Box	CG, CE, CSH, CSL, OM, 1 Phase
M413683	Contactactor Box	CG, CE, CSH, CSL, OM, 3 Phase
M413684	Contactactor Box	CG, CE, CSH, CSL, OM, Reversing, 3 Phase
M413682	Contactactor Box	CG, CE, CSH, CSL, OM, Reversing, 240 Volts, 50 Hertz, 1 Phase
M413681	Contactactor Box	CG, CSH, CSL, OM, 60 Hertz, 1 Phase, CE, OM, 50 Hertz
M411794	Contactactor Box to Junction Box	CE Coin, Manual Timer, 480 Volts, 60 Hertz, 3 Phase
M405386	Contactactor Box to Junction Box	CE Manual Timer, 50 Hertz and 208/240 Volts, 60 Hertz, 3 Phase
M412108	Contactactor Box to Junction Box	CE Manual Timer, Reversing, 480 Volts, 60 Hertz, 3 Phase
M412109	Contactactor Box to Junction Box	CE Manual Timer, Reversing, 208-240 Volts, 50-60 Hertz, 3 Phase
M412111	Contactactor Box to Junction Box	CE Manual Timer, Reversing, 380-415 Volts, 50 Hertz, 3 Phase
M412145	Contactactor Box to Junction Box	CG, EG, CSH, Manual Timer, Reversing, 230 Volts, 50 Hertz, 1 Phase
M412146	Contactactor Box to Junction Box	CG, EG, CSH, CSL, Manual Timer, Reversing, 3 Phase
M412153	Contactactor Box to Junction Box	CSH, Manual Timer, Reversing, 480 Volts, 60 Hertz, 3 Phase
M403924	Control Panel	All Manual Timer, Nonreversing
M410640	Control Panel	CE, Manual Timer, 480 Volts, 60 Hertz, 3 Phase
M405814	Control Panel	CE, CSH, CSL, Manual Timer, Reversing
M412446	Control Panel	CE, CG, CSH, 50 Hertz, Manual Timer, Reversing, European
M413991	Control Panel	CE, CG, CSH, OM, Reversing - European
M410485	Control Panel	CG, EG, Manual Timer, Reversing, 50 Hertz
M410487	Control Panel	CG, EG, Manual Timer, Reversing, 208-240 Volts, 60 Hertz, 3 Phase
M412644	Disconnect Switch to F1 and F2	CE, CG, CSH, CSL, 230 Volts, 50 Hertz, European
M412459	Door Switch	Manual Timer, European
M412107	Drive Motor - Reversing	CG, EG, CE, CSH, CSL, Reversing, 50-60 Hertz, 3 Phase
M413687	Drive Motor - Reversing	CG, CE, CSH, CSL, OM, 1 Phase, Reversing
M413688	Drive Motor - Reversing	CG, CE, CSH, CSL, OM, 3 Phase, Reversing
M412745	Drive Motor - Reversing	CG, CSH, 230 Volts, 50 Hertz, 1 Phase Reversing, European
M412574	Fan Motor	CE, European
M413685	Fan Motor	CG, CE, CSH, CSL, OM, 120 Volts, 60 Hertz, 1 Phase, 240 Volts, 50 Hertz, 1 Phase
M413755	Fan Motor	CG, CE, CSH, CSL, OM, 1 Phase
M413686	Fan Motor	CG, CE, CSH, CSL, OM, 3 Phase
M413281	Fan Motor	CG, CSH, CSL, 230 Volts, 50 Hertz, 1 Phase

<b>PART NO.</b>	<b>HARNESS FUNCTION</b>	<b>USAGE</b>
M405352	Fan Motor	CSH, Manual Timer, 380-415 Volts, 50 Hertz, 3 Phase
M409490	Fan Motor	CG, CSH, CSL, Manual Timer, 2 Wire, 1 Phase
M411980	Fan Motor	CG, EG, CSH, Manual Timer, Reversing, 240 Volts, 50 Hertz, 1 Phase
M411829	Fan Motor	CG, CSH, CSL, Coin & Manual Timer, Reversing/Nonreversing
M411827	Fan Motor	CG, EG, CE Manual Timer, 3 Phase
M411828	Fan Motor	EG, Manual Timer, 208-240 Volts, 60 Hertz, 3 Phase
M409488	Fan Motor	EG, CE, Manual Timer, Reversing/Nonreversing
M405873	Front Control Box to Rear Junction Box	CE, 480 Volts, Manual Timer
M413994	Front Control Box to Rear Junction Box	CE, OM, 50 Hertz, 3 Phase, European
M405872	Front Control Box to Rear Junction Box	CE, CSH, CSL, Manual Timer, 50 Hertz, 208-240 Volt, 60 Hertz
M410486	Front Control Box to Rear Junction Box	CE, CSH, CSL, Manual Timer, Reversing
M405372	Front Control Box to Rear Junction Box	CG & EG, Manual Timer, 50 Hertz
M413993	Front Control Box to Rear Junction Box	CG, OM, 50 Hertz, 1 Phase, European
M413676	Front Control Box to Rear Junction Box	CG, CE, CSH, CSL, OM, Reversing & Nonreversing
M409199	Front Control Box to Rear Junction Box	CG, EG, Manual Timer, 120/208/240 Volts, 50-60 Hertz
M410488	Front Control Box to Rear Junction Box	CG, EG, Manual Timer, Reversing, 208-240 Volts, 60 Hertz, 3 Phase
M410523	Front Control Box to Rear Junction Box	CSH, Manual Timer, 480 Volts, 60 Hertz, 3 Phase
M414035	Front Control Box to Rear Junction Box	CE, CG, CSH, CSL, OM
M413546	Front Control Box to Rear Junction Box	CG, Manual Timer, European
M412997	Gas Valve	CG, OM
M413678	Gas Valve	CG, OM
M413650	Gas Valve	CG, OM, Reversing & Nonreversing, Australia
M413546	Harness, Main	Manual timer and mechanical coin drop models
M412479	Harness, Control Panel, MT	Manual timer non-reversing models
M412446	Harness, Control Panel, MT-Rev	Manual timer reversing models
M412448	Harness, Control Panel, Coin	Mechanical coin drop models
M412462	Harness, Door Switch	Mechanical coin drop and Micro models
M412997	Harness, Gas Valve	All with BM gas valve, single coil connection
M413650	Harness, Gas Valve	All with Johnson gas valve, dual coil connections
M412998	Harness, Control Box Gas	Gas manual timer and mechanical coin drop with bulb thermostat - Dungs ignition control
M413548	Harness, Control Box Gas	Gas manual timer and mechanical coin drop with bulb thermostat - Channel Products ignition control
M412603	Harness, Control Box Steam	Steam manual timer and mechanical coin drop with bulb thermostat
M412711	Harness, Control Box Electric	Electric manual timer and mechanical coin drop with bulb thermostat
M412745	Harness, Cylinder Motor 1 Phase	Reversing 1 phase models
M412573	Harness, Cylinder Motor 3 Phase	Reversing 3 phase models
M413281	Harness, Fan Motor 1 Phase	1 phase models
M412574	Harness, Fan Motor 3 Phase	3 phase models
M412575	Harness, Air Flow Switch to Junction Box	Electric and Gas models with cabinet mounted air flow switch
M412920	Harness, Stove Limit	Gas models with cabinet mounted air flow switch
M412670	Harness, Cabinet Limit Cord 72	Gas and electric models
M412636	Harness, Relay (K1, K2, K3)	Gas manual timer models
M412639	Harness, Relay (K2, K3)	Gas coin models
M412707	Harness, Relay (K1, K2)	Steam manual timer models
M412637	Harness, Relay (K2)	Steam coin models

<b>PART NO.</b>	<b>HARNESS FUNCTION</b>	<b>USAGE</b>
M412766	Harness, Relay Elect-MT/HV	380 & 415 Volt electric manual timer models
M412776	Harness, Relay Elect-MT/LV	230 Volt electric manual timer models
M412775	Harness, Relay Elect-CD/HV	380 & 415 Volt electric mechanical coin drop models
M412777	Harness, Relay Elect-CD/LV	230 Volt electric mechanical coin drop models
M412930	Harness, Reversing Timer Junction Box	Gas and steam reversing models with manual timer or mechanical coin drop
M412932	Harness, Reversing Timer C-Box	Electric reversing models with manual timer or mechanical coin drop
M412644	Harness Jumper - 240V/1Ph Junction Box	Gas and steam 230 Volt/ 1 phase models
M412778	Harness, Jumper- 400V/3Ph Junction Box	Gas and steam 380/415 Volt/ 3 phase
M412798	Harness Jumper - 240V/1Ph CBox	Electric 230 Volt/ 1 phase models
M412801	Harness, Heater Cable 240/400 Volt	All electric models
M412802	Harness, Heater Cable 240 Volt	All 230 Volt electric models
M412802	Heater Cable, H4-H6, 8 Gauge	CE, 230 Volts, 50 Hertz, 3 Phase, European
M412801	Heater Cable, H1-H3 & Ground, 8 Gauge	CE, 3 Phase, European
M412758	Heater to Contactor, 3 Wire, 8 Gauge Cable	CE, 3 Phase
M413959	Heater to Contactor, H1-H3, 8 Gauge	CE, OM, 3 Phase
M413960	Heater to Contactor, H4-H6, 8 Gauge	CE, OM, 3 Phase
M413548	Ignition Control	CG, Manual Timer, European
M406880	Ignition Control Harness	All Gas Models
M412927	Jumper, Reversing Contactor - Lower	CE, 1 Phase, Reversing, European
M412929	Jumper, Reversing Contactor - Lower	CE, 3 Phase, Reversing
M413695	Jumper, Reversing Contactor - Lower	CG, CSH, OM, 50 Hertz, 1 Phase, Reversing
M413625	Jumper, Reversing Contactor - Lower	OM, 3 Phase, Reversing
M412926	Jumper, Reversing Contactor - Upper	CE, 1 Phase, Reversing, European
M412928	Jumper, Reversing Contactor - Upper	CE, 3 Phase, Reversing
M413694	Jumper, Reversing Contactor - Upper	CG, CSH, OM, 50 Hertz, 1 Phase, Reversing
M413624	Jumper, Reversing Contactor - Upper	OM, 3 Phase, Reversing
M414078	Jumper, Capacitor Network	CE, OM, 230 Volts, 50 Hertz, 3 Phase, European
M414079	Jumper, Capacitor Network	CE, OM, 380-415 Volts, 50 Hertz, 3 Phase, European
M412926	Jumper, Rev Cont. - 1 phase upper	1 phase reversing models
M412927	Jumper, Rev Cont. - 1 phase lower	1 phase reversing models
M412928	Jumper, Rev Cont. - 3 phase upper	3 phase reversing models
M412929	Jumper, Rev Cont. - 3 phase lower	3 phase reversing models
M412645	Jumper, Wire Ground	Gas models with Dungs ignition control
M412740	Jumper, Cable - 8Ga, 5.75	All electric models
M413034	Jumper, Cable - 6Ga, 5.75	All electric models except 230 Volt/1 phase
M412799	Jumper, Cable - 2Ga, 5.50	All electric 230 Volt/1 phase models
M412800	Jumper, Cable - 2Ga, 10.50	All electric 230 Volt/1 phase models
M413677	Microprocessor Control	All OM
M414034	Reversing Contactor	CE, CG, CSH, OM, Reversing, European
M412932	Reversing Timer	CE, 3 Phase, Reversing, European
M412930	Reversing Timer	CG, CSH, 1 Phase, Reversing, European
M413679	Steam Valve	CSH, CSL, OM
M413691	Stove High Limit Thermostat	CG, OM
M413680	Stove High Limit Thermostat to Junction Box	CE, OM
M412920	Stove High Limit Thermostat to Junction Box	CG, 230 Volts, 50 Hertz, 1 Phase, European
M412776	Terminal Block to K1	CE, Manual Timer, 230 Volts, European
M412766	Terminal Block to K1	CE, Manual Timer, 380-415 Volts, European



<b>PART NO.</b>	<b>HARNESS FUNCTION</b>	<b>USAGE</b>
M412636	Terminal Block to K1, K2 & K3 Relays	CG, Manual Timer, 1 Phase, European
M414032	Terminal Block to K2	CSH, CSL, OM, European
M412707	Terminal Block to K2	CSH, Manual Timer, Reversing, 1 Phase, European
M412637	Terminal Block to K2 Contactor	CSH, 1 PHase, Manual Timer, European
M412871	Terminal Block to K2, CB3, F1 & F3	CE, Manual Timer, 230 Volts, 50 Hertz, 3 Phase, European
M412803	Terminal Block to K2, CB3, F1 & F3	CG, OM, 230-380-415 Volts, 50 Hertz, 3 Phase, European
M414224	Terminal Block to K2, K3	CG, OM, 230 Volts, 50 Hertz, 1 Phase, European
M414149	Terminal Block to K2, K6, K7	CE, OM, 230 Volts, 50 Hertz, 3 Phase, European
M414150	Terminal Block to K2, K7	CE, OM, 380-415 Volts, 50 Hertz, 3 Phase, European
M413551	Thermistor Cable	634 OM
M413560	Thermistor Cable	CG, CE, CSH, CSL, OM, Nonreversing
M412711	Thermostat	CE, Manual Timer, European
M412603	Thermostat	CSH, CSL, 50 Hertz, European
M413505	Transformer Configuration, 120 Volts	CG, CSH, CSI, OM, 120 Volts, 60 Hertz
M413506	Transformer Configuration, 208 Volts	CG, CE, CSH, CSL, OM, 208 Volts, 60 Hertz
M413507	Transformer Configuration, 240 Volts	CG, CE, CSH, CSL, OM, 240 Volts, 50-60 Hertz
M413508	Transformer Configuration, 380 Volts	CG, CE, CSH, CSL, OM, 380 Volts, 50 Hertz
M413509	Transformer Configuration, 415 Volts	CG, CE, CSH, CSL, OM, 415 Volts, 50 Hertz
M413510	Transformer Configuration, 480 Volts	CG, CE, CSH, CSI, OM, 480 Volts, 60 Hertz
M414028	Transformer Primary	CE, OM, 3 Phase, European
M414076	Transformer Primary	CG, CSH, CSL, OM, European
M414029	Transformer Secondary	CE, CG, CSH, CSL, OM, European
M412642	Transformer Primary	CE, CG, CSH, 230 Volts, 50 Hertz, European
M412641	Transformer Secondary	CE, 3 Phase Manual Timer, European



# Parts Index

## A

Acorn Nut	
M400645 .....	23
M412626 .....	35, 41
Adjustable Clip	
M400976 .....	53
Adjusting Bolt	
M413565 .....	51
Air Flow Switch	
M400944 .....	53
Air Flow Switch Guard	
M410544 .....	53
Air Flow Vane Assembly	
M400541 .....	53
Anti-Torque Ring	
M400605 .....	55, 57
Assembly, Coin Vault For Long Drawer	
M412085L .....	13
Assembly, Coin Vault For Short Drawer	
M400495L .....	13
Assembly, Cylinder Motor Bracket - Hinged	
M413617 .....	41, 51
Assembly, Fan and Bushing	
M414546 .....	47
Assembly, Harness	
M412642 .....	89
Assembly, Harness Jumper	
M412644 .....	87, 89
Assembly, Harness Jumper Junction Box	
M412778 .....	91
Assy, Flange w/Gasket	
M412568 .....	63

## B

Barrel Clip	
M400972 .....	13
Barrier	
M400712 .....	53
M406144 .....	5
Barrier, End	
M412633 .....	87, 89, 91
Base, Door Switch	
M412528 .....	25
Base, Mounting Switch	
M412187 .....	87
Base, Mtg Switch	
M412186 .....	93
M412187 .....	89, 91
Battery	
M410826 .....	15
Bearing	
M400592 .....	33
M401375 .....	39, 43
430038 .....	37
Bearing Retainer	
M401370 .....	39, 43

Belt	
M401182 .....	33, 35
M411814 .....	39
Belt Guard	
M413008 .....	45, 49
Belt, Cylinder	
M412090 .....	41
Belt, Drive	
M412981 .....	41
Block, Terminal	
M412631 .....	87, 89, 91
M412632 .....	87, 89, 91
Bolt	
M400057 .....	51
M400061 .....	33, 35, 39
M405525 .....	33, 39
M412119 .....	37
M412475 .....	33
20255 .....	41
430648 .....	37, 41
Bracket	
M400341 .....	9
M400823 .....	55
M401318 .....	5
M406882 .....	55, 57
M409202 .....	53
M410541 .....	55
M413397 .....	15
Bracket, Fan Motor	
M411483 .....	41
Bracket, Gas Valve	
M406814 .....	65
M412552 .....	63
Bumper	
M400543 .....	27
M410895 .....	27
Bumper - Black Plastic	
M410784 .....	27
Bumper - Cocoa	
M410845 .....	27
Bumper Insert	
M400633 .....	27
Burner	
M405919 .....	55, 57
M410541 .....	55, 57
Burner Orifice	
M400997 .....	104
M400998 .....	104
M400999 .....	104
M401001 .....	104
M401002 .....	104
M401003 .....	104
M401011 .....	104
M401014 .....	104
M401016 .....	104
M401017 .....	104
M401018 .....	104
M401019 .....	104
M401020 .....	104
M401021 .....	104
M401022 .....	104
M401025 .....	104
M401027 .....	104
M402444 .....	104

M402997	104
M403017	104
M406184	104
M406361	104
Burner, Gas	
M410541	63, 65
Bushing For Trunnion Sprocket	
M403432	31
Bushing With Screws	
H87529111	47
M412086	41
M412885	41
M412917	41
Buss Bar	
M400866	71
M400869	71
Buss Bars	
M400866	69
M400869	69
Buss, Ground	
M412656	87, 89, 91
Button, Emergency Stop	
M412231	7
M412232	5
Button, Switch - Push-to-Start	
M412233	7

## C

Cabinet High Limit Thermostat	
M406412	99
Cable, Ignition	
M406881	65
M412578	63
Cam and Screw	
M400595	27
Cap, End	
M401328	7
Chain Connecting Link	
M400903	39
M401360	33
Chain Guard	
M409350	33
M411467	33
Circuit Breaker	
M412401	93
M412406	93
Clamp	
M411231	15
Clip	
M400975	21
M400977	53
M400984	21
Coil for Contactor	
M400914	73
Coil for Steam Valve	
M412258	97
M413299	97
M413301	97
M413302	97
M413451	97
Coin Chute	
M411882	13

Coin Drawer	
M402582*	13
M411890*	13
Coin Drop	
M411601	103
M411709	103
Coin Meter	
M402508-12	103
M402508-14	103
M402508-21	103
M402508-24	103
M402508-27	103
M402508-31	103
M402508-34	103
M402508-36	103
M402508-37	103
M402508-44	103
M402508-45	103
M402508-5	103
M405138	103
M412542	103
M412543	103
M412544	103
M412545	103
M412546	103
M412547	103
M413195	103
Comb Buss Bar	
M412754	93
M412755	93
Contactor	
M413614	79, 81, 85
M413616	95
Contactor, Electric	
M412403	93
Contactor, Motor	
M412404	87, 89, 91, 93
Control Harness	
M411073	15
M411076	15
M411182	15
Control Panel with End Caps	
M402678	102
M409223	102
M410412	102
M410658	102
M410660	102
M411154	102
M411642	102
M413310	102
M413315	102
M413316	102
M413319	7
M413320	7, 102
M414203	7, 102
M414204	7, 102
M414207	7, 102
M414208	7, 102
Control Panel, Complete	
M410678	102
M410838	102
M410839	102
M410840	102
M410841	102
M410842	102
M411146	102
M411150	102
M411152	102

M411487	102
M411488	102
M411489	102
M411490	102
M411491	102
M411492	102
M411493	102
M411494	102
Control, Ignition	
M412549	63
M413433	65
Conversion Kit, Natural Gas To LP	
M4454P3	55
M4478P3	55
Counterweight	
M400822	53
Coupler, Flexible	
M412551	25
Cover	
M400828	97
M400845	55, 57
M405308	75
M412098	73
Cylinder and Trunnion - Stainless Steel	
M409015	29
M409091	29
Cylinder and Trunnion Standard	
M406906	29
M409090	29
Cylinder Assembly - Galvanized	
M401985	29
Cylinder Assembly - Stainless Steel	
M402517	29
Cylinder Drive Motor	
M410852	49
M412519P	49, 51
M412520P	49, 51

## D

Damper Vane	
M400503	99
Din Rail	
M410501	75
M412106	73
M412690	93
M412691	93
M412692	93
M412694	93
Diode Logic Board	
M405897	55
Disc	
M400253	53
Door Assembly	
430475	23
Door Assembly With Chrome Handle	
M400447	23
Door Assembly With Logo	
M410887	23
Door Catch	
M401223	23
Door Glass - Plain	
M400784P	23

Door Glass Seal	
M400962	23
Door Glass With Logo	
M410885P	23
Door Handle - Bar Type	
430117	23
Door Handle - Chrome	
M400133	23
Door Handle - Cocoa	
M410918	23
Door Hinge - Painted	
M412382*	23
Door Hinge - Painted/Textured	
M402714*	23
Door Hinge - Stainless Steel	
M400514	23
Door Seal	
M406129	23
Door Switch	
M400952	19
Door Switch Rod	
M400603	23
Drive Chain	
M400597	39
M401425	33
Drive Guard	
M411467	41
M413627	41
Drive Rivet	
M400713	21
Drive Sheave	
M400147	39
Drive Sprocket	
M401364	39
M401365	33

## E

Elbow, Pipe	
H86070034	63, 65
Electronic Control	
M410786	15
M413498P	17
End Barrier	
M412633	93
End Cap	
M400681	73
M401328	5, 9
End Section	
M412540	93
End Stop	
M412539	93
End, Stop	
M412615	91

## F

Fan Contactors	
M410457	75
M410529	75
Fan Cover Plate	
M401362	45

Fan Motor45	
Fan Motors and Wire Harnesses (Reversing)	
M409438	107
M409488	107
M409490	107
M409735	107
M411827	107
M411828	107
M411829	107
M412516	107
Fan Motors (Nonreversing)	
M409488	106
M409489	106
M411188	106
M411191	106
M411827	106
M412226	106
M412227	106
M412518	106
Fan, Backward Curve	
M400086P	45
Fan, Forward Curve	
M410088P	45
Felt Pad	
M402144	29
Ferrite Core	
M413930	77, 79, 81, 83, 85, 95
Flat Washer	
M400080	51
03189	23
Fork, Timing Cam	
M400754	11
Front23	
Front Panel - Painted	
M410877*	23
M412792*	23
Front Panel - Painted/Textured	
M411129*	23
Front Panel - Stainless Steel	
M410760	23
M411132	23
Front Plate	
M411612	103
M411925	103
M411926	103
M411927	103
M411928	103
M411929	103
M411930	103
M411931	103
M411932	103
M411933	103
M411934	103
M411935	103
M411936	103
M411937	103
Fuse	
M412996	91
M413118	77, 79, 81, 83, 85
M413621	79, 85
M414103	17
502593	87, 89, 93
Fuse Holder	
M412538	91
M413544	79, 85
91024	77, 79, 81, 83, 85

Fuseholder	
M412537	93

---

## G

Gas Supply Pipe	
M400749	55
Gas Valve	
M410907	67
M410908	67
Gas Valve - LP	
M405935	55
M409153	57
M409561	57
M413463	57
M413464	57
Gas Valve - Natural Gas	
M405898	55
M409152	57
M409517	57
M413467	57
M413468	57
Gas Valve Bracket	
M405945	57
M406814	57
Ground Buss	
M412656	93
Ground Lug	
M411283	73, 95
Ground Screw	
M402917	9, 73, 77, 79, 81, 83, 85, 95
Ground Wire	
M412645	17
Guard, Finger	
M412366	87, 89, 91
M412367	93
Guide Rail	
M412476	33, 35, 39, 41

---

## H

Handle	
M412370	87, 91
M412371	93
Handle Assembly	
M410243	27
Handle, Ext	
M412370	89
Harness, Relay	
M412636	87
M412707	89, 91
M412776	93
M412777	93
Harness, Transformer	
M412641	87, 89, 91, 93
M412642	87, 93
Heater Contactor	
M400905	73
M405116	73
Heater Element	
M405254	69
M405255	69
M405256	69

M410939	69, 71
M410940	69, 71
M410941	69, 71
M412955	71
Heater Wire	
M401281	69
M403743	69
Heater Wire Harness - Reversing	
M412758	71
High Limit Thermostat	
M405943	69
M409433	71
M410542	27
High Voltage Lead	
M406881	57
M410990	67
Hinge	
M411390	15
Hinge Bolt	
M400653	23
Hinge Bracket - Painted	
431000*	23
Hinge Bracket - Stainless Steel	
431044	23
Hinge, Door	
M412378*	25
Hinge, Female	
M411390	17
Holder, Fuse	
M412537	87, 89
Holder, Spud	
M405810	65
M412461	63
Hood Assembly	
M401159	69

## I

Idler Arm	
M414320P	37
Idler Housing	
M412103	37
M412612	43
Idler Housing Assembly	
M400441	33
M400444	39
M412228P	37
M412630P	43
Idler Housing With Bearings and Guide Rails	
M412228P	33
Idler Housing With Bearings and Rails	
M412630P	39
Idler Shaft	
M401371	39
M412099	43
M412223	33, 37
Idler Sprocket	
M401369	33
Idler Support Plate	
M414405	35, 41
Idler Wheel	
430619	37
Igniter	
M406934	57

55438	55
Igniter Bracket	
M402745	55
Igniter, Spark	
M406934	63, 65
Ignition Control	
M406789	57
M413532	57
Injector	
Also Refer to Table on Page 97	
M400999	105
M401014	105
M402444	105
Inner Trunnion Bearing	
M413924	31
Instant Electronic Ignition Control	
M410904	67

## J

Jamnut	
M400022	45
M400033	31
02428	51
Jumper Bar	
M412415	93
Jumper Cable	
M412740	93
M412799	93
M412800	93
M413933	95
M413934	95
Jumper Harness	
M413883	95
Jumper Wire	
M401281	71
M404866	59
M404868	59
M412287	71
M412798	93
Junction Box	
M410364	75

## K

Key	
H8652006P	47
M400008	35
M400993	33, 43, 49
M401327	33, 35, 39, 43
M401677	21
M401680	21, 27
M405232	31
Key For Coin Drawer Locks	
M401701	13
Key for Fan	
M400994	45
Key for Pulley	
M400993	45
Key, Half-Moon	
M400008	29
Key, Straight	
M405232	29

Kick Plate	
M414438P .....	27
Knob, Temperature	
M400777 .....	19
M410928 .....	19
Knob, Timer	
M400773 .....	7
M410927 .....	7
Knob, Timer - Black with Silver Arrow	
M400773 .....	5
Knob, Timer - Cocoa with White Dot	
M410927 .....	5

## L

Label	
M412653 .....	87, 89, 91, 93
M412654 .....	87, 89, 91, 93
M412887 .....	87, 89, 91, 93
M412888 .....	87, 89, 91, 93
Label, Contactor	
M413159 .....	93
M413160 .....	93
Label, Relay	
M413157 .....	87, 89, 91, 93
M413158 .....	87
Lever	
M400753 .....	53
Light	
M400703 .....	5
M400704 .....	5
M404151 .....	9
M404852 .....	9
M412234 .....	5
Light, Indicator	
M412234 .....	7
Limit Wire Harness	
M411461 .....	71
Lint Panel - Painted	
M410670* .....	27
M413488* .....	27
Lint Panel - Plain	
M400464* .....	27
Lint Panel - Stainless Steel	
M405646 .....	27
M410671 .....	27
M413491 .....	27
Lint Panel - Textured	
M402722* .....	27
Lint Screen	
M400522 .....	27
Lint Screen Hood	
M400515 .....	27
Lint Screen Must Be Cleaned Daily	
M411087 .....	101
Lock and Key	
M404101 .....	21, 27
M410700 .....	21
Lock For Long Coin Drawer	
M412004 .....	13
Lock For Short Coin Drawer	
M401581 .....	13
Lockwasher	
M400013 .....	29, 33, 41, 45, 47, 49

M400014 .....	33, 39, 45
M400017 .....	23
M403958 .....	35, 41
M412188 .....	35, 41
02834 .....	51
03815 .....	23
91200 .....	29, 31
Lockwasher, Comes With M400543	
03815 .....	27
LP Conversion Kit	
M4454P3 .....	57
M4478P3 .....	57

## M

Main Coil	
M405430 .....	59
M411134 .....	61
Main Drive Guard	
M409399 .....	39
M411467 .....	35
M413627 .....	39
Manifold	
M406681 .....	57
M406810 .....	55
Manifold Pipe	
M406681 .....	55
M406810 .....	57
Micro V Belt	
M411425 .....	35
Micro V Pulley	
M411466 .....	37
Micro V Sheave	
M412156 .....	35
Motor	
M410860 .....	47
Motor Base	
M413391 .....	47
Motor Base Channel	
M413392 .....	47
Motor Bracket	
M411483 .....	35
Motor Bracket Side - Left	
M400520 .....	49
Motor Bracket Side - Right	
M400521 .....	49
Motor Capacitors for Fan Motors (Nonreversing)	
M400382 .....	105
M400383 .....	105
M400390 .....	105
M406291 .....	105
M406292 .....	105
M409438 .....	105
M409439 .....	105
M409735 .....	105
M410296 .....	105
M410298 .....	105
M410299 .....	105
M410300 .....	105
M410301 .....	105
M412225 .....	105
M412226 .....	105
M412227 .....	105
Motor Hardware Kit	
M4426P3 .....	45



Motor Mounting Bracket	
M411483 .....	45
M413391 .....	47
Motor Mounting Plate	
M401519 .....	49
Motor Mounting Ring	
M405419 .....	45
M4525P3 .....	45
Motor Pulley	
M400146 .....	49, 51
M402718 .....	45
M403463 .....	45
Mounting Pin	
M405979 .....	55
Mounting Plate	
M410800 .....	15
Mounting Plate Assembly	
M413738 .....	17

## N

Nameplate	
M410355 .....	21
M410988 .....	21
M412963 .....	21
Network Capacitor Assembly	
M413863 .....	77, 79, 81, 83, 85
Nut	
M400026 .....	33, 35, 39, 41
M400033 .....	35
M400035 .....	35
M401548 .....	55, 57, 65
M401549 .....	55, 57, 65
M404993 .....	29, 35, 41
Q6163 .....	23, 69, 71
02428 .....	33, 45, 47, 49
20274 .....	31, 47
20275 .....	23
23951 .....	77, 79, 81, 83, 85
52566 .....	37
56156 .....	37
70054 .....	17, 71
70142 .....	41, 45
Nut, Hex	
M412688 .....	87, 89, 91, 93
Nylon Washer	
M400675 .....	23
M412530 .....	23

## O

Outer Trunnion Bearing	
M413923 .....	31
Overlay	
M413417 .....	17
M413418 .....	17
M413419 .....	17
M413420 .....	17
M413421 .....	17
M413422 .....	17
M413423 .....	17
M413424 .....	17
M413425 .....	17
M413426 .....	17

## P

Palnut	
M400034 .....	45
M400035 .....	31
Perforated Cover	
M400845 .....	27
Piece, Tail	
M413348 .....	65
Pipe, Gas Supply	
M400749 .....	63, 65
Pipe, Manifold	
M413395 .....	65
Plate, Micro Mounting	
M413427 .....	17
Plug	
M410665 .....	15, 17
Pop Rivet	
M400003 .....	23
M405750 .....	5, 9
Power Distribution Block	
M413864 .....	95
M413865 .....	95
Pulley, Idler	
M412884 .....	41
Push Nut	
M400675 .....	9

## R

Rail, Din	
M412689 .....	87, 89, 91
M412771 .....	91
M412772 .....	87, 89, 91
Redundant Coil	
Not Available as separate part	
Relay	
M400911 .....	5
M400912 .....	5
M410529 .....	15
M412534 .....	87, 89, 91, 93
430746 .....	77, 81, 83
431349 .....	77
502501 .....	77, 83
Resister	
M400527 .....	9
Resistor	
M400527 .....	5
M410992 .....	5
Retainer	
M401301 .....	5, 9
M401302 .....	5, 9
M406297 .....	11
Retainer, Left	
M401301 .....	7
Retainer, Right & Center	
M401302 .....	7
Reversing Contactor	
M413615 .....	83, 85
Reversing Switch, Rocker	
H96422431 .....	5
Rib Rod	
M404992 .....	29

Ring, Anti Torque M400605 .....	65
Rivet, Pop M405750 .....	7
Rubber Bumper M400795 .....	99

## S

### Screw

M400044 .....	15, 23, 77, 79, 81, 83, 85
M400057 .....	41, 45, 47, 49
M400063 .....	31
M400065 .....	49
M400071 .....	5, 9, 77, 81, 83
M400072 .....	5, 9, 19
M400543 .....	27
M400650 .....	31
M400655 .....	13
M400664 .....	15, 27, 53, 55, 57, 69, 71, 73, 97, 99
M401393 .....	45
M401902 .....	21
M401938 .....	53
M402797 .....	55, 57
M405188 .....	45, 49, 55, 57
M405824 .....	75, 77, 79, 81, 83, 85
M409385 .....	23, 31, 39
M410059 .....	45
M410799 .....	15
M411052 .....	5, 7
M412531 .....	25
M412532 .....	25
Q6516 .....	19
20255 .....	35
22688 .....	47
27202 .....	51
32671 .....	95
33562 .....	5, 9, 87, 89, 91, 93
430497 .....	17, 21, 53, 99
430757 .....	27
501086 .....	91
51778 .....	77, 79, 81, 83, 85
51780 .....	5, 73, 75, 79, 81, 83, 85, 91, 93, 95
56693 .....	55
Screw, Ground M402917 .....	5
Screw, Hex Head 501086 .....	89
Screw, Hex Washer Head 51780 .....	87, 89
Screw, Ind Hex Hd 501086 .....	93
Screw, Ind Hex Head 501086 .....	87
Section, End M412540 .....	87, 89
Sensor 56231 .....	55
Sensor Cable M410708 .....	15
Sensor Jumper Wire M411138 .....	67
Setscrew M400065 .....	33, 35, 39
M400077 .....	37, 45
62541 .....	33, 39

Shadow Box M403414 .....	9
Shadow Box, Coin Drawer With Clips M400131P .....	13
Sheave With Hardware M400092P .....	33, 35
Sheave, Cylinder M412916 .....	41
Sheave, Idler M412931 .....	41
Shim M401402 .....	29
Shut-Off Valve M406455 .....	55
Shutoff Valve M406455 .....	57
Single Coin Drop M411602 .....	103
M411605 .....	103
M411606 .....	103
M411608 .....	103
M411704 .....	103
M411706 .....	103
M411707 .....	103
M411708 .....	103
M412001 .....	103
Sleeve M400755 .....	33
Snap Ring M400399 .....	33, 35
Spacer M404466 .....	31, 41
Spark Igniter Assembly M410905 .....	67
Spring M400401 .....	39, 43
M402455 .....	11
M412120 .....	35
Spring Clip M400402 .....	23
Spring, Coin Carrier M405138A .....	11
Spring, Return M405138B .....	11
Steam Coils M400637 .....	97
Steam Heater M413572 .....	97
Steam Valve M412241 .....	97
M413295 .....	97
M413297 .....	97
M413298 .....	97
M413445 .....	97
M413446 .....	97
Stop, End M412539 .....	87, 89, 91
Stove High Limit Thermostat M401404 .....	55, 57
M410220 .....	55, 57, 65, 67
Strike Screw M400661 .....	23
Supply Pipe M400749 .....	57

Support Rod	
M400604 .....	21
Switch Plate	
M410854 .....	15
Switch, Door Safety	
M412372 .....	25
Switch, Emergency Stop	
M412232 .....	5, 7
Switch, Heat 'B'	
M400947 .....	11
Switch, Ignition Reset	
M413431 .....	65
Switch, Push To Start	
M400954 .....	9
Switch, Push-To-Start	
M400954 .....	5
Switch, Push-to-Start	
M412230 .....	7
Switch, Rocker	
M413270 .....	15
Switch, Run 'A'	
M400001 .....	11
Switch, Toggle	
M400945 .....	15

## T

Tail Piece	
M410793 .....	55, 57
Tension Bolt	
M412627 .....	35, 41
Terminal Block	
M400000 .....	5, 9
M400685 .....	73
M405363 .....	75
M405364 .....	75, 77, 79, 81, 83, 85
M412042 .....	73
M412045 .....	93
M412631 .....	93
M412632 .....	93
430642 .....	77, 79, 81, 83, 85
Terminal Strip	
M413542 .....	77, 79, 81, 83, 85
Thermistor	
M411758 .....	27
Thermistor Cable	
M413560 .....	17
Thermostat	
M410542 .....	99
Thermostat, Adjustable Bulb	
M406959 .....	5, 19
Thimble and Vane Assembly	
M413382 .....	99
Timer Motor	
M400609 .....	11
M400611 .....	11
M410789 .....	11
Timer, Cool-Down 15 Minutes	
M4100902P .....	5
M410900P .....	5
Timer, Cooling	
M412079 .....	7
M412080 .....	5

Timer, Drying	
M412079 .....	5
M412080 .....	7
Timer, Drying 60 Minutes	
M410901P .....	5
M410903P .....	5
Timing Cam with Fork	
M400732P .....	11
M400733P .....	11
M400734P .....	11
M400735P .....	11
M400736P .....	11
M400737P .....	11
M400738P .....	11
M400739P .....	11
M400740P .....	11
M400741P .....	11
Toggle Switch, Reversing/Nonreversing	
M400945 .....	5
Top Access Panel - Painted	
M402719* .....	21
M413634* .....	21
Top Access Panel - Painted/Textured	
M410801* .....	21
M414349* .....	21
Top Access Panel - Stainless Steel	
M410802 .....	21
M414350 .....	21
Top Cover	
M403385 .....	21
Touch Pad	
M410682 .....	15
M410704 .....	15
M412961 .....	15
Transformer	
M401391 .....	73
M411066 .....	67
M412412 .....	91
M412477 .....	87, 89, 93
M414228 .....	77, 79, 81, 83, 85
M414229 .....	79
Trunnion Assembly	
M413835P .....	29
M413836 .....	29
Trunnion Housing Assembly	
M413832 .....	31
Trunnion Housing Casting	
M413826 .....	31
Trunnion Sprocket	
M400090P .....	31
Trunnion Sprocket With Key	
M403433 .....	31
Twin Speed Nut	
M400979 .....	53
M400981 .....	19

## U

Upper Belt Guard	
M413541 .....	39, 41

---

**V**

Valve Kit	
M405434 .....	59, 61
Valve, Gas	
M411982 .....	63
M413332 .....	65
Valve, Gas Shut Off	
M412562 .....	63, 65

---

**W**

Warning Control Panel	
M410892 .....	101
M411088 .....	101
Warning Disconnect Power	
24903 .....	101
500316 .....	101
Warning Lint Screen - On Lint Panel	
430527 .....	101
431106 .....	101
Washer	
M400014 .....	35, 41
M400080 .....	33, 41, 45, 47, 49
M400081 .....	33, 35, 39
M400991 .....	45
M401946 .....	31
M401947 .....	29
M405535 .....	37
20103 .....	31
Wire	
M412116 .....	73
M412117 .....	73
Wire Harness	
M403924 .....	108
M405352 .....	109
M405372 .....	109
M405380 .....	55, 99, 108
M405386 .....	108
M405814 .....	108
M405872 .....	73, 109
M405873 .....	109
M406880 .....	110
M409199 .....	109
M409488 .....	109
M409490 .....	109
M410485 .....	108
M410486 .....	109
M410487 .....	108
M410488 .....	109
M410523 .....	109
M410640 .....	108
M411794 .....	108
M411827 .....	109
M411828 .....	109
M411829 .....	109
M411980 .....	109
M412107 .....	108
M412108 .....	108
M412109 .....	108
M412111 .....	108
M412145 .....	108
M412146 .....	108
M412153 .....	108
M412446 .....	108, 109

M412448 .....	109
M412459 .....	108
M412462 .....	109
M412479 .....	109
M412573 .....	109
M412574 .....	108, 109
M412575 .....	108, 109
M412578 .....	108
M412603 .....	109, 111
M412636 .....	109, 111
M412637 .....	109, 111
M412639 .....	109
M412641 .....	111
M412642 .....	111
M412644 .....	108, 110
M412645 .....	110
M412670 .....	109
M412707 .....	109, 111
M412711 .....	109, 111
M412740 .....	110
M412745 .....	108, 109
M412758 .....	110
M412766 .....	110
M412775 .....	110
M412776 .....	110
M412777 .....	110
M412778 .....	110
M412798 .....	110
M412799 .....	110
M412800 .....	110
M412801 .....	110
M412802 .....	110
M412803 .....	111
M412871 .....	111
M412920 .....	109, 110
M412926 .....	110
M412927 .....	110
M412928 .....	110
M412929 .....	110
M412930 .....	110
M412932 .....	110
M412997 .....	109
M412998 .....	109
M413034 .....	110
M413281 .....	108, 109
M413505 .....	111
M413506 .....	111
M413507 .....	111
M413508 .....	111
M413509 .....	111
M413510 .....	111
M413546 .....	109
M413548 .....	109, 110
M413551 .....	111
M413560 .....	111
M413624 .....	110
M413625 .....	110
M413650 .....	109
M413676 .....	109
M413677 .....	17, 110
M413678 .....	109
M413679 .....	110
M413680 .....	110
M413681 .....	108
M413682 .....	108
M413683 .....	108
M413684 .....	108
M413685 .....	108
M413686 .....	108
M413687 .....	108

M413688 .....	108
M413689 .....	108
M413691 .....	110
M413693 .....	99
M413694 .....	110
M413695 .....	110
M413696 .....	95, 108
M413754 .....	108
M413755 .....	108
M413824 .....	108
M413878 .....	108
M413883 .....	108
M413932 .....	95
M413959 .....	110
M413960 .....	110
M413991 .....	108
M413993 .....	109
M413994 .....	109
M414028 .....	111
M414029 .....	111
M414032 .....	111
M414034 .....	110
M414035 .....	109
M414076 .....	111
M414078 .....	110
M414079 .....	110
M414149 .....	111
M414150 .....	111
M414224 .....	111
Wire Harness - Ignition Control	
M406880 .....	57
M413678 .....	57
Wire Harness - Stove High Limit	
M405380 .....	57
M413499 .....	57
M413691 .....	57

