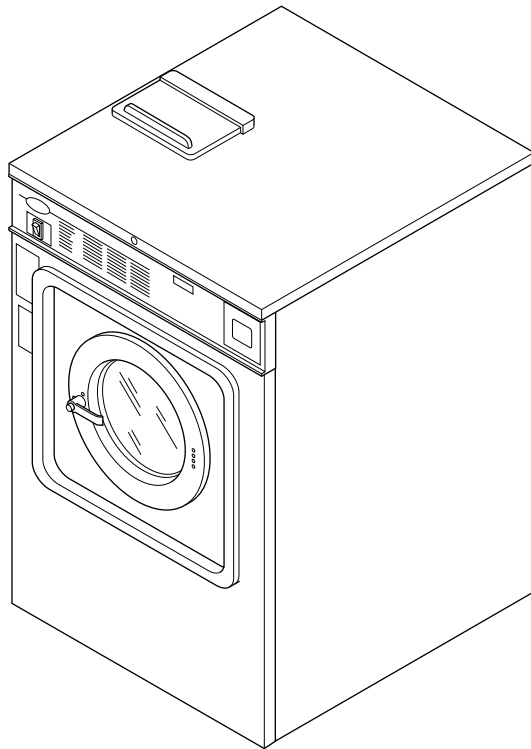


Washer- Extractors

Cabinet Freestanding
Refer to Page 3 for Model Numbers



U026P_F232017

Table of Contents

Title	Page
Parts Ordering Information.....	2
Nameplate Location.....	2
Model Identification.....	3
Decals.....	4
Control Module.....	6
AC Drive.....	8
AC Drive.....	10
Panels.....	12
Upper Front Panel, Control Panel Decal and Controls.....	14
Supply Dispenser.....	16
Supply Dispenser Connections.....	18
Clamps and Hoses.....	20
Water Inlet Valves, Hoses and Vacuum Breaker.....	22
Door Assembly and Middle Front Cover.....	24
New Style Door Handle.....	26
Door Lock.....	28
Door Lock.....	30
Basket, Shell and Shell Front.....	32
Temperature Probe and Air Trap Hose.....	34
Drain Valve, Hoses and Frame Assembly.....	36
Motor, Belt, Pulley and Suspension.....	38
Parts Index.....	41

© Copyright 2003, Alliance Laundry Systems LLC

All rights reserved. No part of the contents of this book may be reproduced or transmitted in any form or by any means without the expressed written consent of the publisher.

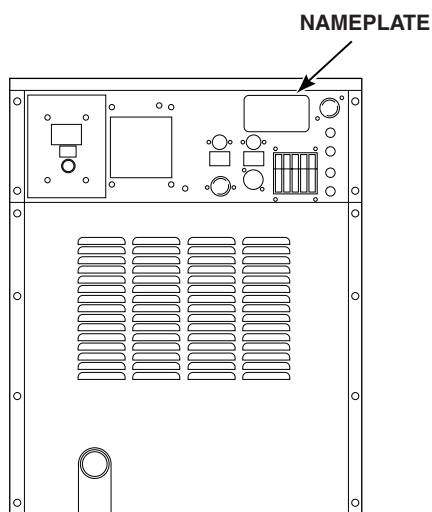
Parts Ordering Information

If literature or replacement parts are required, contact the source from whom the machine was purchased or contact Alliance Laundry Systems at (920) 748-3950 for the name and address of the nearest authorized parts distributor.

For technical assistance, call (920) 748-3121.

Nameplate Location

When calling or writing about your product, be sure to mention model and serial numbers. Model and serial numbers are located on nameplate(s) as shown.



U098P_F232017

Model Identification

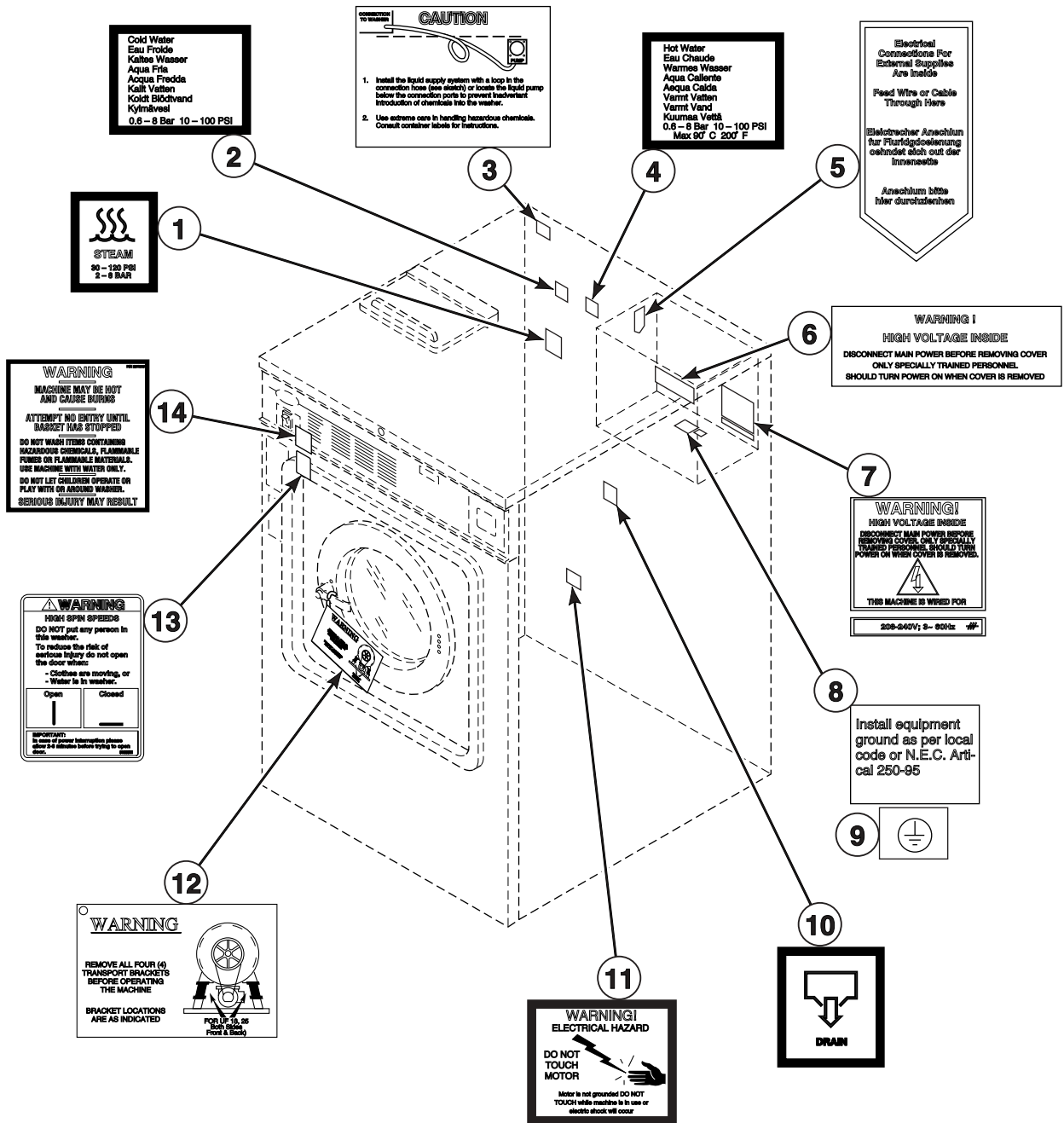
Information in this manual is applicable to these washer-extractor models:

HF18VNV
HF25VNV

SF18VNV
SF25VNV

UF18VNV
UF25VNV

Decals

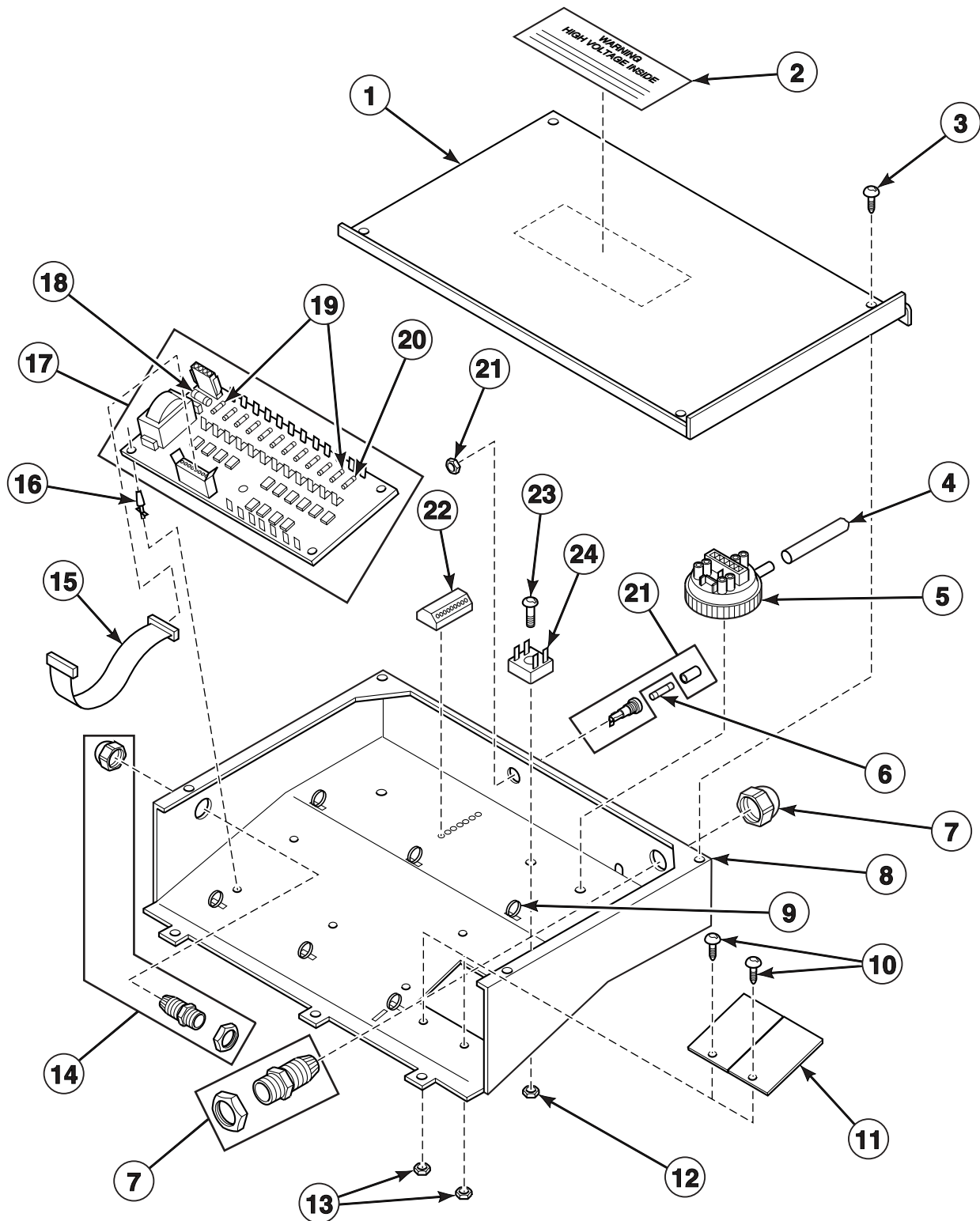


CFS895P_F232017

Decals

REF	PART NO.	DESCRIPTION	COMMENTS
1	F231147	Decal	
2	F230857	Decal	
3	F230877	Decal	
4	F230856	Decal	
5	F230217	Decal	
6	F230202	Decal	
7	F230206	Decal	
8	F230630	Decal	
9	F230739	Decal	
10	F231150	Decal	
11	F230831	Decal	
12	F230560	Tag	
13	81968R1	Label	
14	F231065	Decal	

Control Module



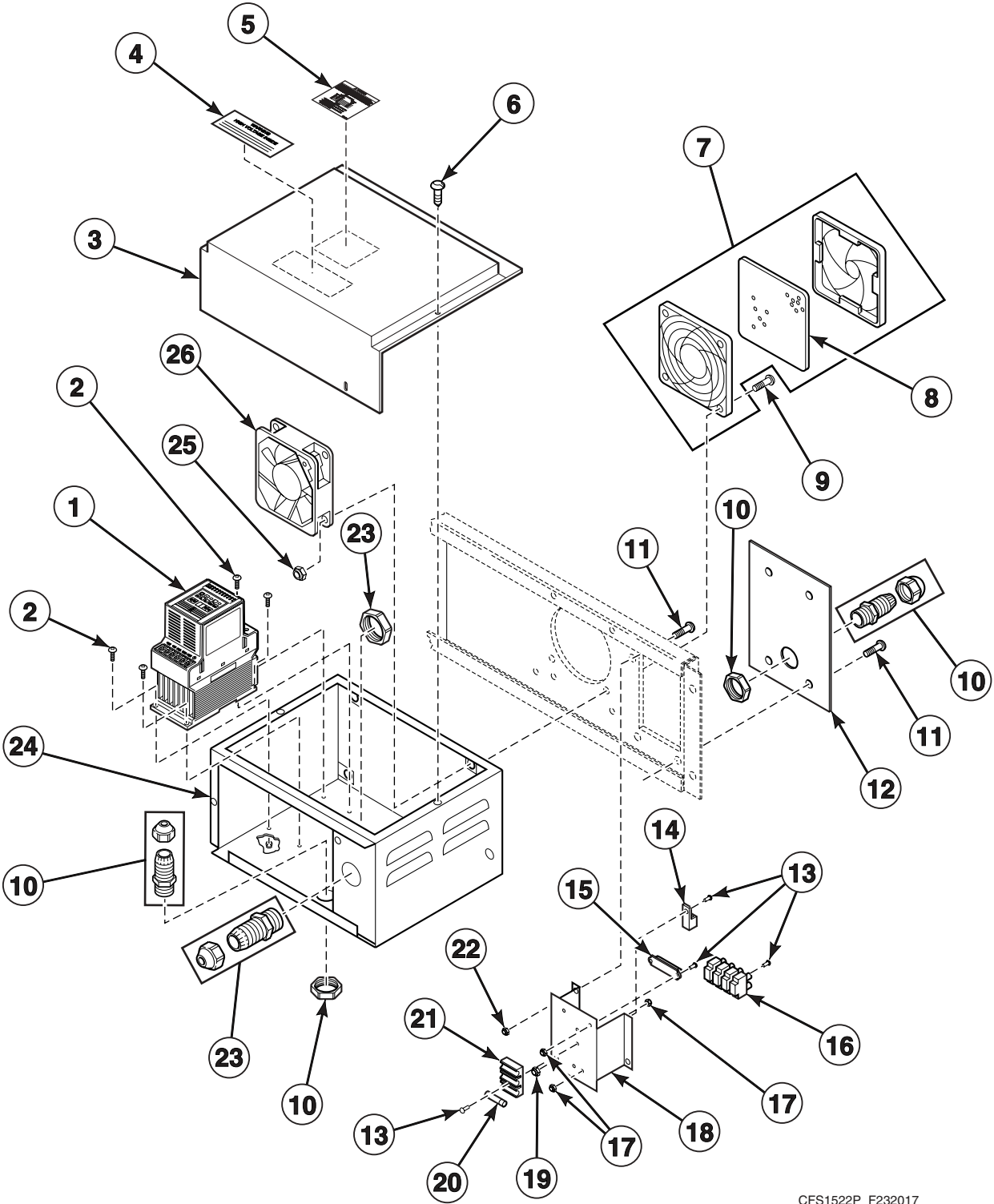
CFS1520P_F232017

Control Module

REF	PART NO.	DESCRIPTION	COMMENTS
1	F609487	Cover	
2	F230202	Decal	Warning: High voltage
3	F430174	Screw	
4	F200142	Hose	
5	F0340343-10	Water Level Switch	
	F0340350-00	Water Pressure Switch	Heat safety
6	F350131	Fuse	2 Amp
7	F140224	Strain Relief Connector	PG29
8	F609486	Electrical Box	
9	F140668	Connector	
10	F430928	Screw	
11	F631032	Coin Drop Cover	
12	F430220	Locknut	
13	F430231	Locknut	
14	F140331	Strain Relief Connector	PG21
15	F140247	Cable	26 pin; 8 inches
16	F180501	Standoff	
17	F370447	Output Board CCA	
18	F350108	Fuse	1/8 Amp
19	F350109	Fuse	1/2 Amp
20	F350133	Fuse	1-1/4 Amp
21	F350304	Fuse Holder	
22	F140883	Jumper	
23	F430994	Screw	
24	F370310	Bridge Rectifier	

AC Drive

160 AC Drive



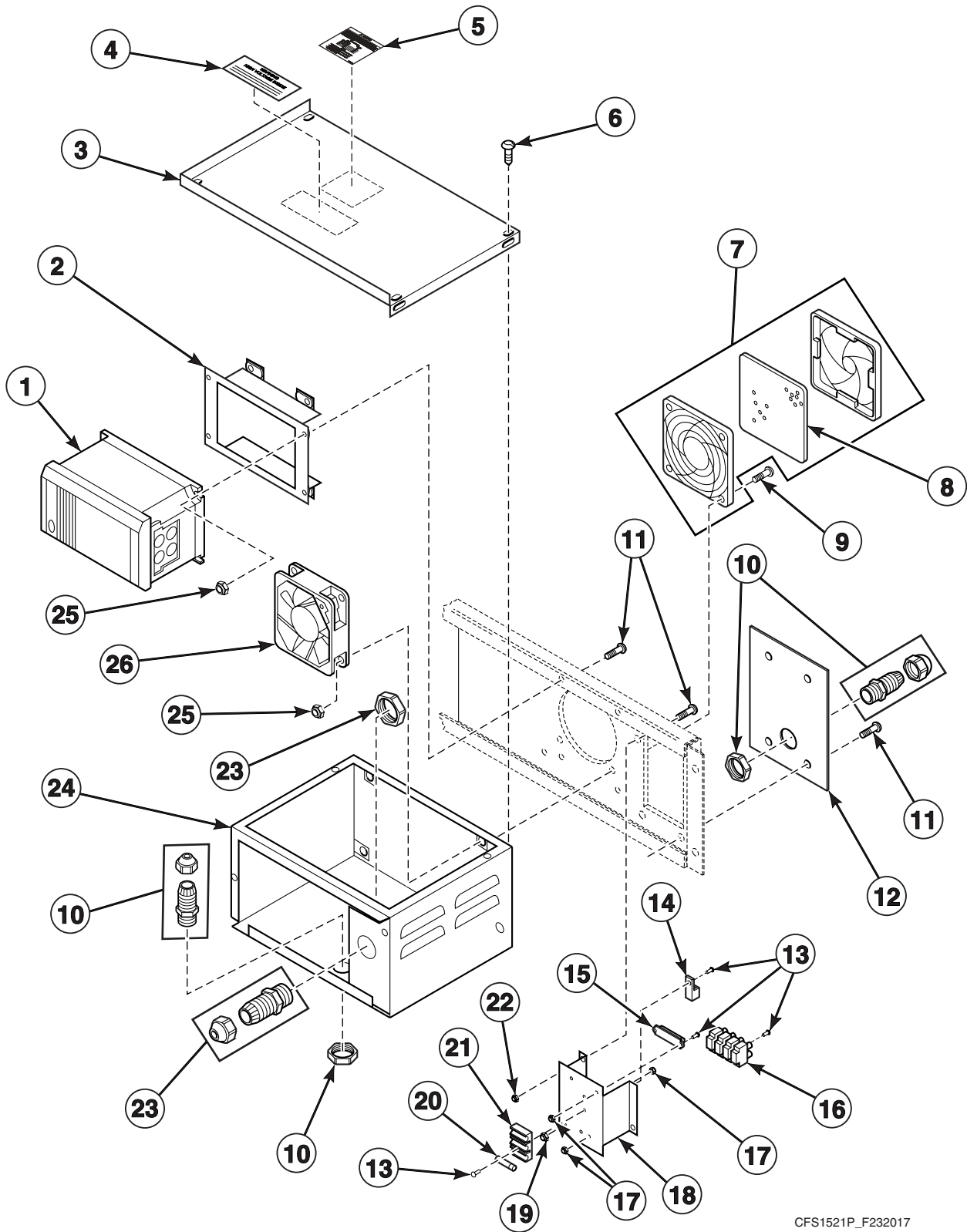
CFS1522P_F232017

AC Drive

REF	PART NO.	DESCRIPTION	COMMENTS
1	F370855	AC Drive	Models SF18VNV, UF18VNV and HF18VNV; Q and T-voltage models
	F370856	AC Drive	Models SF18VNV, UF18VNV and HF18VNV; P-voltage models
	F370857	AC Drive	Models SF25VNV, UF25VNV and HF25VNV; Q and T-voltage models
	F370858	AC Drive	Models SF25VNV, UF25VNV and HF25VNV; P-voltage models
2	F430976	Screw	
3	F0634847-00	AC Drive Box Cover	
4	F231416	Decal	Caution: AC drive
5	F231299	Decal	Transformer
6	F430174	Screw	
7	F220900	Filter Retainer Guard	
8	F0270321-00	Filter	
9	F430910	Screw	
10	F140329	Strain Relief Connector	PG13.5
11	F430929	Screw	
12	F609484	Cover	
13	F430938	Screw	
14	F140734	Ground Terminal Lug	
15	F140766	Terminal	8 place
16	F140747	Input Power Block	
17	F430231	Locknut	
18	F609483	Connection Box	
19	F430232	Locknut	
20	F350128	Fuse	
21	F350304	Fuse Holder	
22	F431005	Nut	
23	F140331	Strain Relief Connector	PG21
24	F634848	AC Drive Box Assembly	
25	F430215	Locknut	
26	F110106	Fan	1.5 inch; 102 cubic feet per minute
	F220899	Fan	1 inch; 77 cubic feet per minute

AC Drive

1305 AC Drive

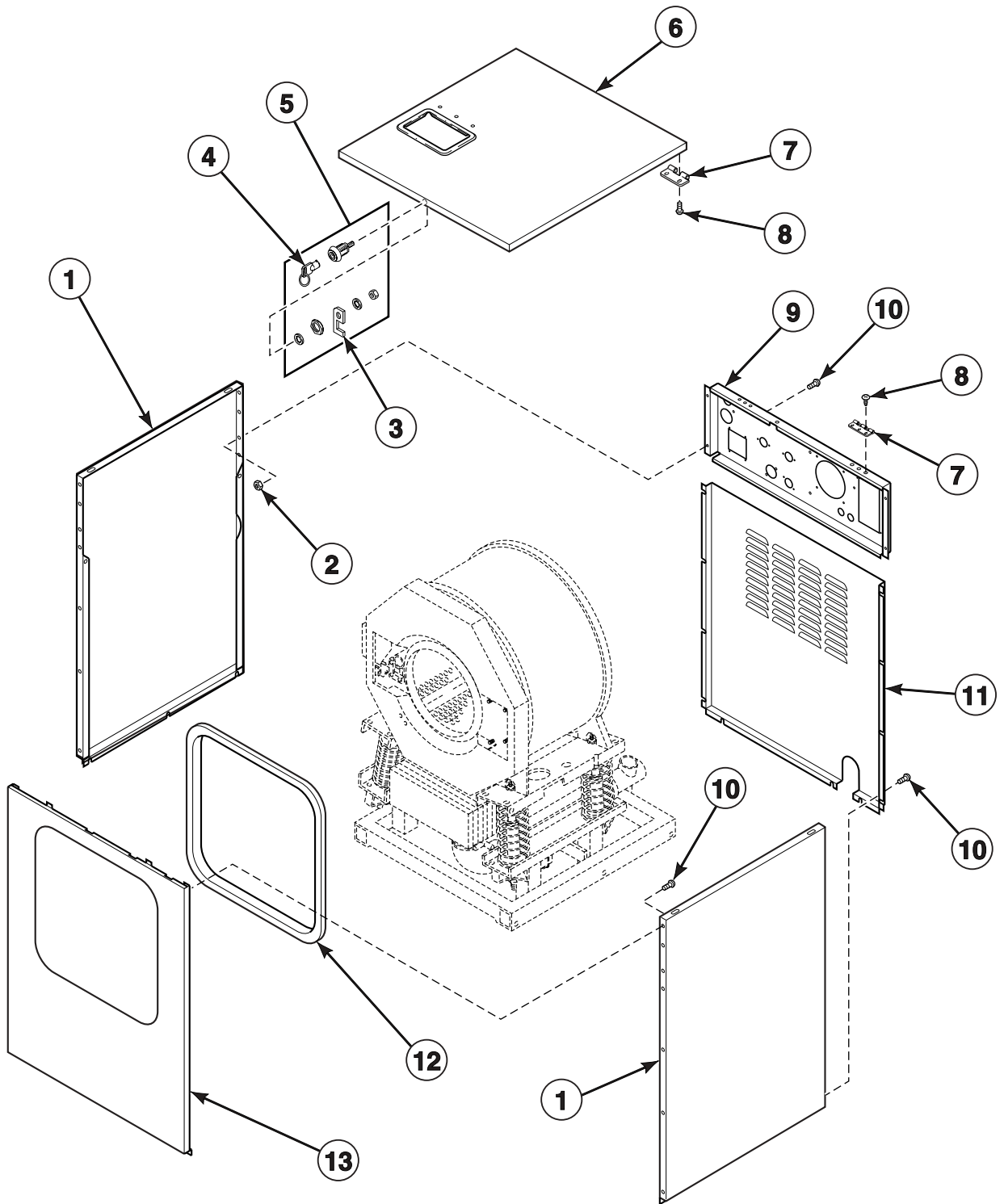


CFS1521P_F232017

AC Drive

REF	PART NO.	DESCRIPTION	COMMENTS
1	F370811	Inverter Drive	Models SF18VNV, UF18VNV and HF18VNV; Q and T-voltage models
	F370812	Inverter Drive	Models SF18VNV, UF18VNV and HF18VNV; P-voltage models
	F370813	Inverter Drive	Models SF25VNV, UF25VNV and HF25VNV; Q and T-voltage models
	F370858	Inverter Drive	Models SF25VNV, UF25VNV and HF25VNV; P-Voltage models
2	F609489	AC Drive Mounting Bracket	Models SF18VNV, UF18VNV and HF18VNV
	F609563	AC Drive Mounting Bracket	Models SF25VNV, UF25VNV and HF25VNV
3	F609487	Cover	
4	F231416	Decal	Caution: AC drive
5	F231299	Decal	Transformer
6	F430174	Screw	
7	F220900	Filter Retainer Guard	
8	F0270321-00	Filter	
9	F430910	Screw	
10	F140329	Strain Relief Connector	PG13.5
11	F430929	Screw	
12	F609484	Cover	
13	F430938	Screw	
14	F140734	Ground Terminal Lug	
15	F140766	Terminal	8 place
16	F140747	Input Power Block	
17	F430231	Locknut	
18	F609483	Connection Box	
19	F430232	Locknut	
20	F350128	Fuse	
21	F350304	Fuse Holder	
22	F431005	Nut	
23	F140331	Strain Relief Connector	PG21
24	F634848	AC Drive Box Assembly	
25	F430215	Locknut	
26	F110106	Fan	1.5 inch; 102 cubic feet per minute
	F220899	Fan	1 inch; 77 cubic feet per minute

Panels

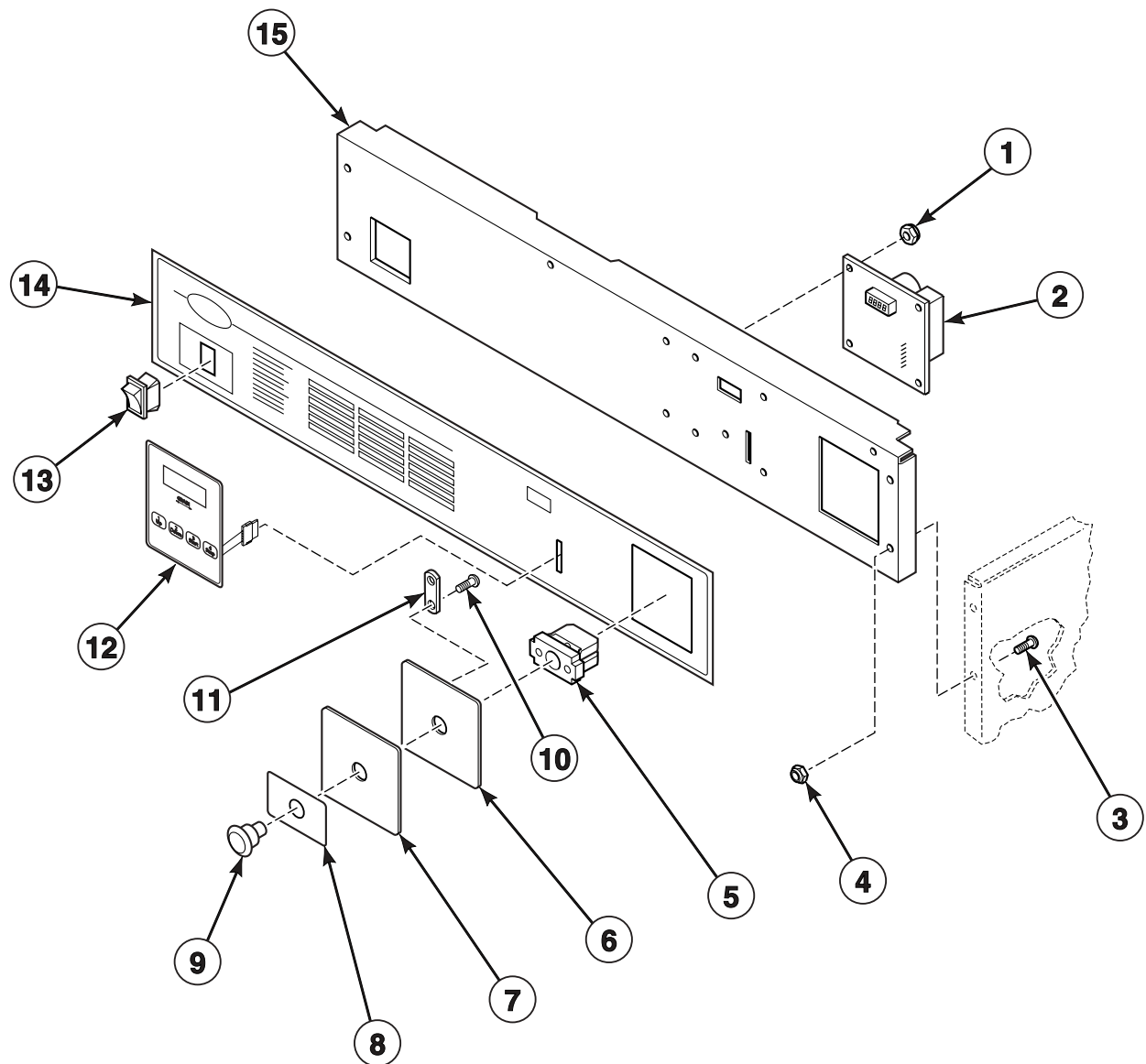


CFS1897P_F232017

Panels

REF	PART NO.	DESCRIPTION	COMMENTS
1	F609478	Side Panel	Models SF18VNV, UF18VNV and HF18VNV
	F609573	Side Panel	Models SF25VNV, UF25VNV and HF25VNV
2	F431024	Locknut	
3	F602753	Top Cover Latch	
4	F160562	Key	
5	F190802	Lid Lock	Includes items 3 and 4
6	F632976	Top Cover Assembly	Models SF18VNV, UF18VNV and HF18VNV
	F632976-1	Top Cover Assembly	Models SF25VNV, UF25VNV and HF25VNV
7	F190203	Hinge	
8	F430174	Screw	
9	F634843	Valve Panel	Models SF18VNV, UF18VNV and HF18VNV
	F634844	Valve Panel	Models SF25VNV, UF25VNV and HF25VNV
10	F430925	Screw	
11	F609477	Rear Cover	Models SF18VNV, UF18VNV and HF18VNV
	F609568	Rear Cover	Models SF25VNV, UF25VNV and HF25VNV
12	F170180	Front Cover Gasket	Order 7 feet for SF18, UF18 and HF18; Order 8 feet for SF25, UF25 and HF25
13	F609480	Outer Front Cover	Models SF18VNV, UF18VNV and HF18VNV
	F609572	Outer Front Cover	Models SF25VNV, UF25VNV and HF25VNV

Upper Front Panel, Control Panel Decal and Controls

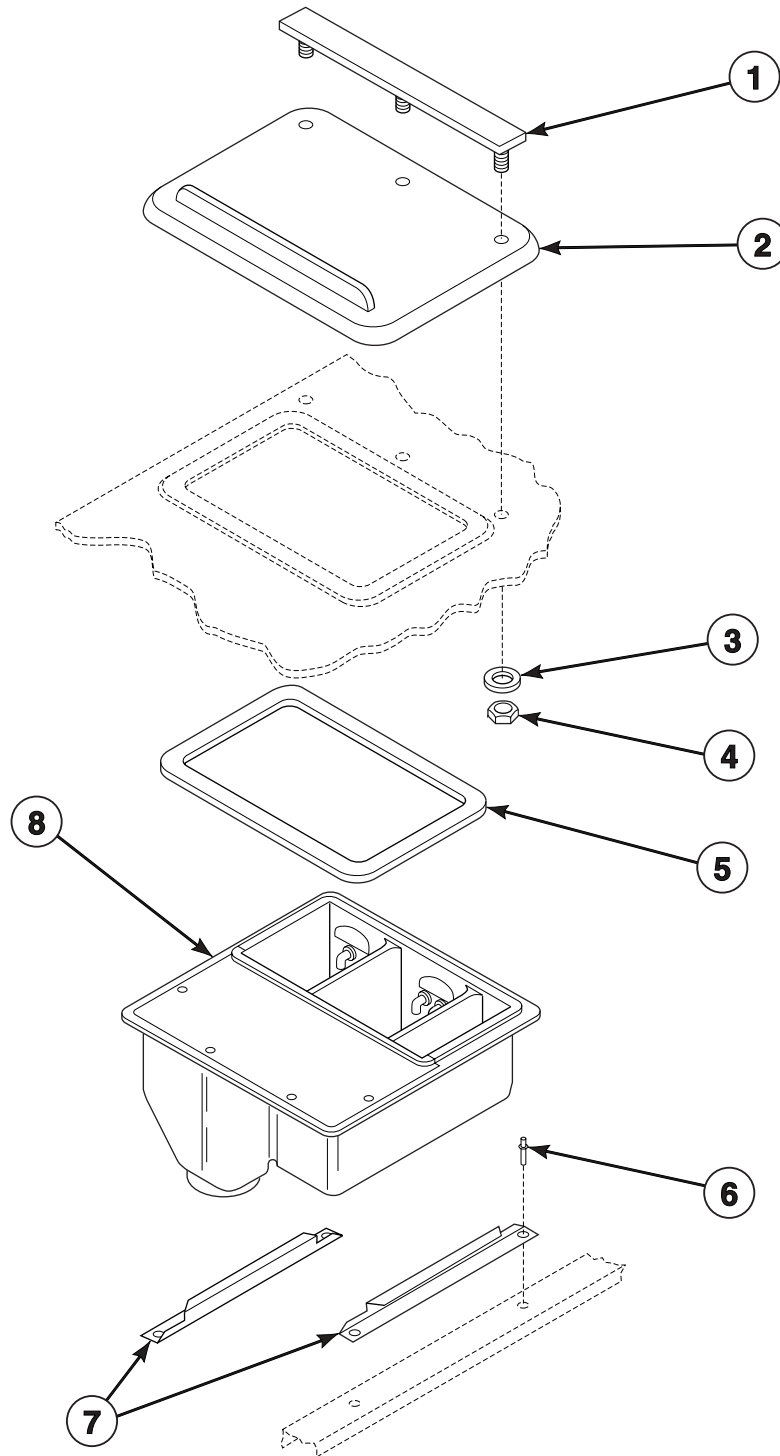


CFS1898P_F232017

Upper Front Panel, Control Panel Decal and Controls

REF	PART NO.	DESCRIPTION	COMMENTS
1	F430231	Locknut	
2	F370313-10	Micro Board	
3	F430925	Screw	
4	F431024	Locknut	
5	F340445	Contact Block Switch	
6	F609512	Emergency Stop Weldment	
7	F230657	Decal	
8	F231083	Decal	Emergency stop
9	F340718	Emergency Stop Pushbutton	
10	F430986	Screw	
11	F601515	Clip	
12	F370576	Keypad	
13	F340412	Momentary Switch	
14	F231159	Control Panel Decal	Model SF18VNV; Used before 2/00; May be used on models made after 2/00
	F0231583-00	Control Panel Decal	Model SF18VNV; Icon; Used after 2/00
	F231160	Control Panel Decal	Model SF25VNV; Used before 2/00; May be used on models made after 2/00
	F0231583-04	Control Panel Decal	Model SF25VNV; Used after 2/00
	F231080	Control Panel Decal	Model UF18VNV; United States; Used before 2/00; May be used on models made after 2/00
	F231081	Control Panel Decal	Model UF18VNV; European; Used before 2/00; May be used on models made after 2/00
	F0231583-05	Control Panel Decal	Model UF18VNV; Used after 2/00
	F0231583-01	Control Panel Decal	Model UF18VNV; Icon; Used after 2/00
	F231402	Overlay	Model UF25VNV; United States; Used before 2/00; May be used on models made after 2/00
	F231145	Control Panel Decal	Model UF25VNV; European; Used before 2/00; May be used on models made after 2/00
	F0231583-03	Control Panel Decal	Model UF25VNV; Used after 2/00
	F0231583-02	Control Panel Decal	Model UF25VNV; Icon; Used after 2/00
	F231240	Control Panel Decal	Model HF18VNV
	F231242	Control Panel Decal	Model HF25VNV
15	0635953-00	Valve Panel	Models SF18VNV, UF18VNV and HF18VNV
	0635954-00	Valve Panel	Models SF25VNV, UF25VNV and HF25VNV

Supply Dispenser

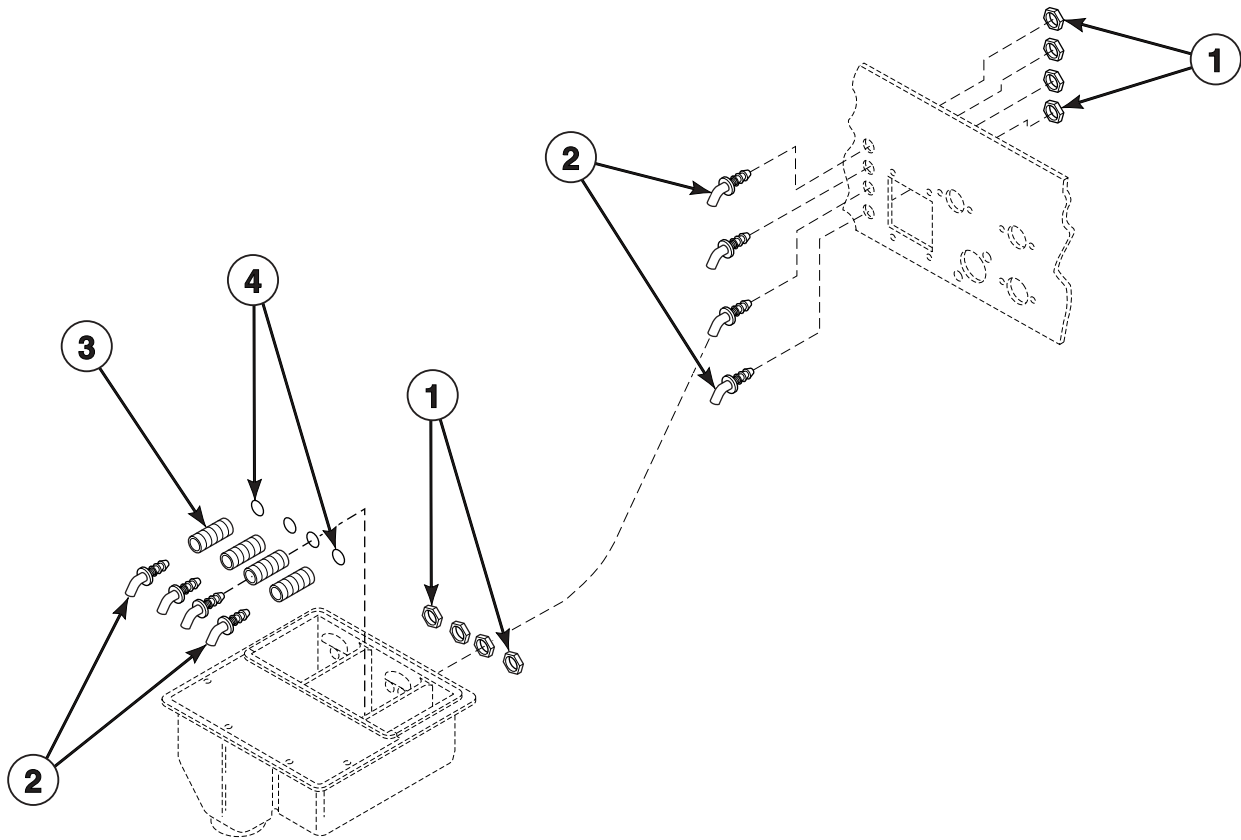


U027P_F232017

Supply Dispenser

REF	PART NO.	DESCRIPTION	COMMENTS
1	F630430	Supply Dispenser Lid Clamp Assembly	
2	F150305-1	Supply Dispenser Cover	
3	F430317	Washer	
4	F431005	Nut	
5	F170170	Supply Dispenser Gasket	
6	F431215	Rivet	
7	F602722	Soap Dispenser Mounting Bracket	
8	F602374-2	Dispenser	4 nozzle
	F602374-3	Dispenser	5 nozzle

Supply Dispenser Connections

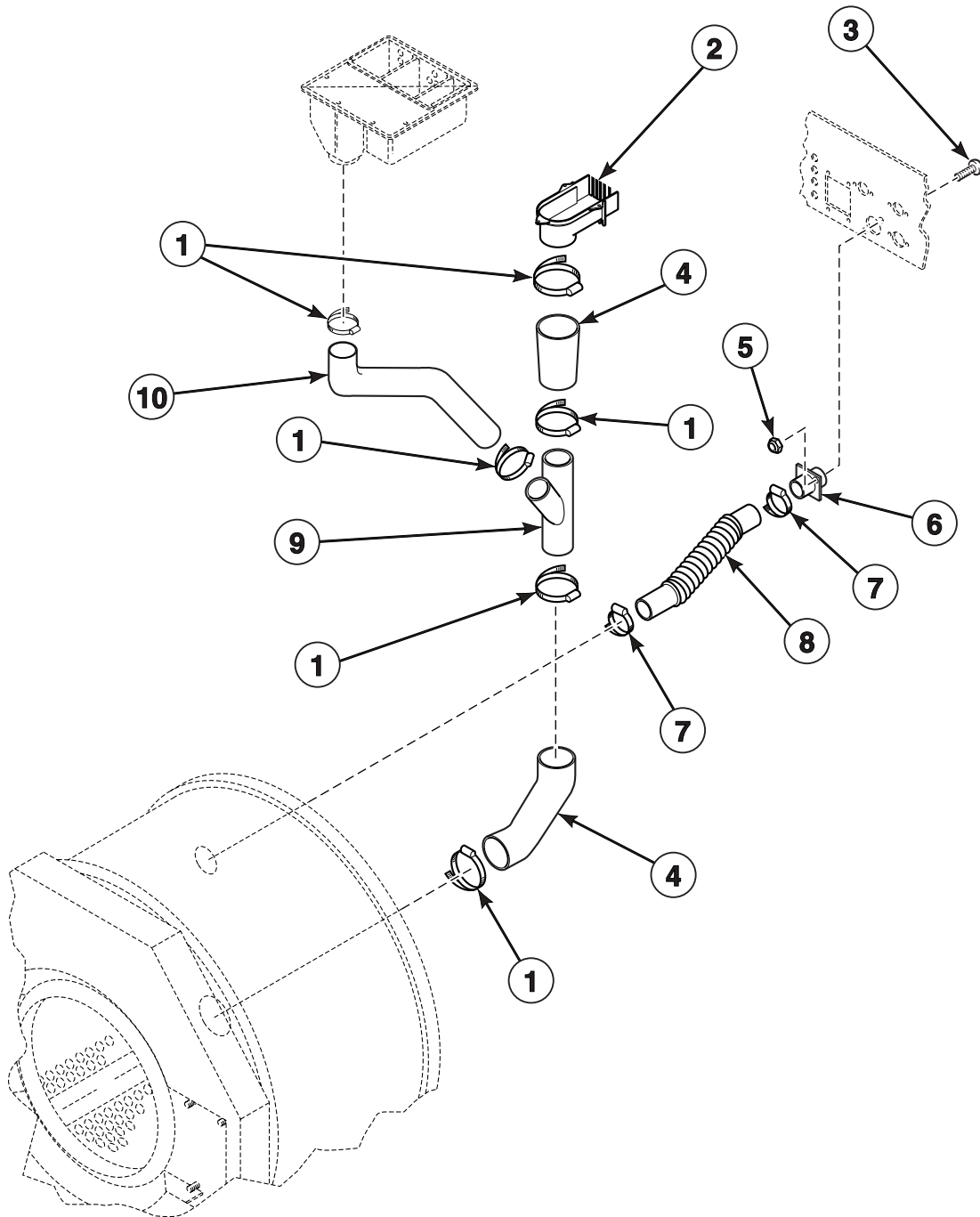


CFS897P_F232017

Supply Dispenser Connections

REF	PART NO.	DESCRIPTION	COMMENTS
	F730168	Injection Nozzle Kit	Includes items 1, 2 and 3
1	F430224	Nut	
2	F380300	Nozzle	
3	F190303	Cap	Remove for chemical dispenser hookup
4	F170208	O-Ring	

Clamps and Hoses

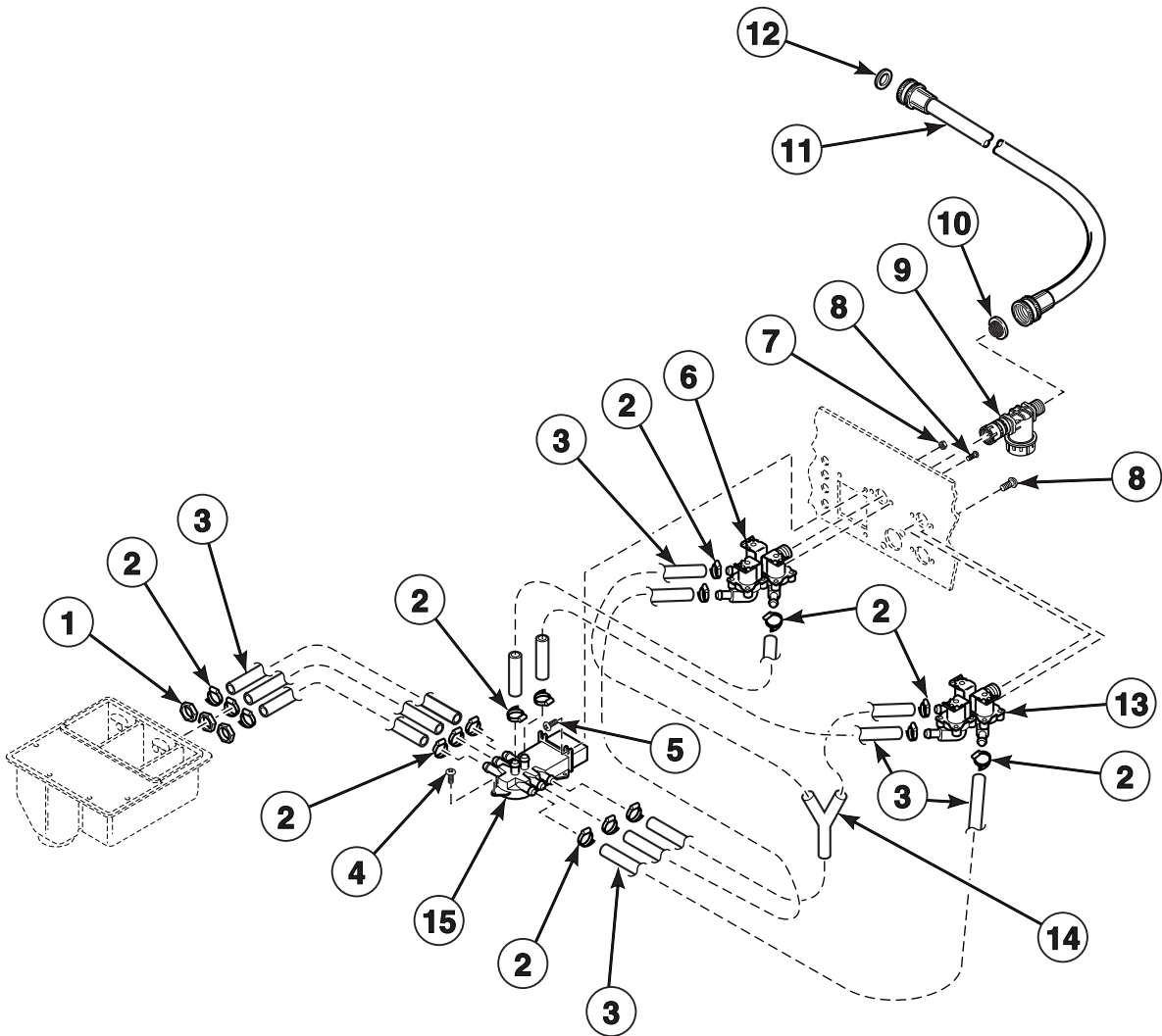


CFS1524P_F232017

Clamps and Hoses

REF	PART NO.	DESCRIPTION	COMMENTS
1	F200213	Clamp	#40
2	F150330	Vacuum Breaker Bottom	
3	F430925	Screw	
4	F150436	Hose	
5	F431024	Locknut	
6	F422517	Vent Nipple	
7	F200204	Clamp	#20
8	F200170	Vent Hose	
9	F421612	Wye	
10	F150454	Hose	

Water Inlet Valves, Hoses and Vacuum Breaker

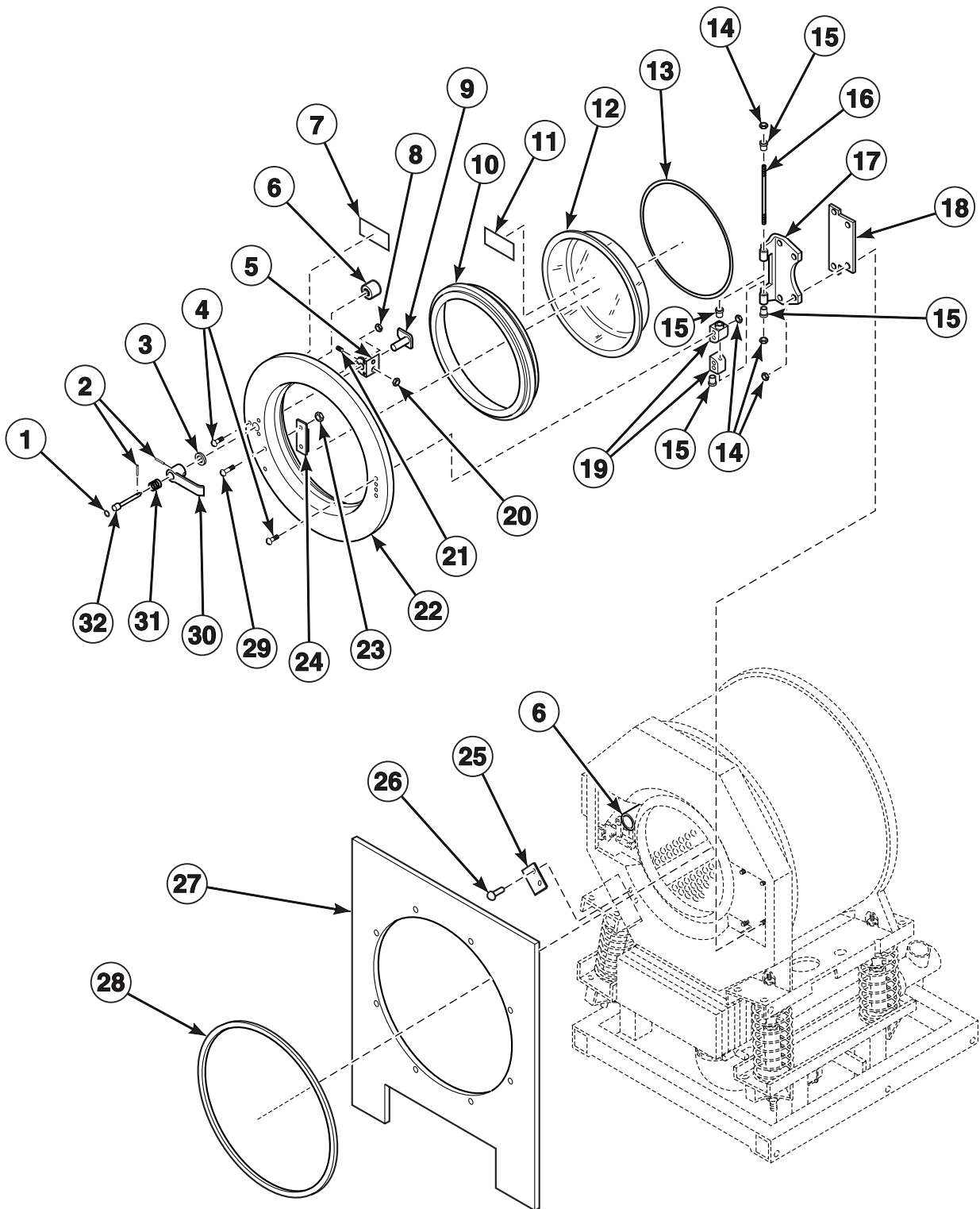


CFS1899P_F232017

Water Inlet Valves, Hoses and Vacuum Breaker

REF	PART NO.	DESCRIPTION	COMMENTS
1	F430224	Nut	
2	F200207	Clamp	#8
3	F200108	Hose	Order 2 feet per hose
4	F430174	Screw	
5	F430976	Screw	
6	F381720	3-Way Valve	Standard thread
	F381725	3-Way Valve	Metric thread
	F380938	Valve Repair Kit	
7	F430232	Locknut	
8	F430948	Screw	
9	F270306	Filter	Optional
10	F270300	Filter Screen	
11	F200164	Hose	
12	20290	Washer	
13	F381728	3-Way Valve	Standard thread
	F381725	3-Way Valve	Metric thread
	F380938	Valve Repair Kit	
14	F422808	Plastic Y	
15	F0150329-00	Vacuum Breaker Top	

Door Assembly and Middle Front Cover

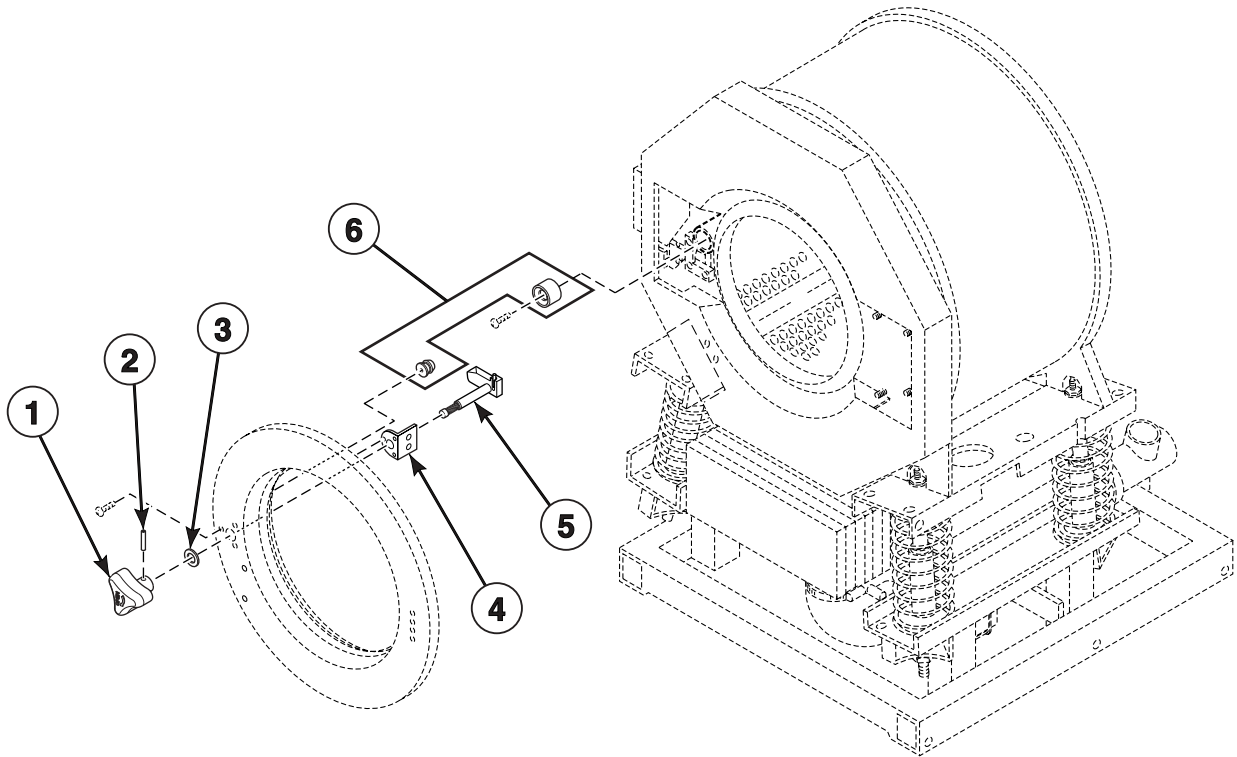


CFS1531P_F232017

Door Assembly and Middle Front Cover

REF	PART NO.	DESCRIPTION	COMMENTS
1	F230662	Decal	Red dot
2	F431222	Pin	
3	F431916	Washer	
4	F430976	Screw	
5	F432305	Door Handle Spacer	
6	F150267	Door Holder	
7	F230661	Decal	Push red button
8	F430232	Locknut	
9	F0150229-00	Latch Arm	
10	F170106-1	Door Gasket	Models SF18VNV, UF18VNV and HF18VNV
	F170123-1	Door Gasket	Models SF25VNV, UF25VNV and HF25VNV
11	F230693	Decal	Rotation spin
12	F290205	Door Glass	Models SF18VNV, UF18VNV and HF18VNV
	F290207	Door Glass	Models SF25VNV, UF25VNV and HF25VNV
13	F170209	O-Ring	Models SF18VNV, UF18VNV and HF18VNV
	F170219	O-Ring	Models SF25VNV, UF25VNV and HF25VNV
14	F431024	Locknut	
15	F100160	Bearing	
16	F630794	Door Hinge Rod	
17	F633791	Door Hinge	
18	F602679	Hinge Shim	
19	F633790	Door Mount	
20	F431041	Nut	
21	F430532	Screw	Models SF18VNV, UF18VNV and HF18VNV
	F430533	Screw	Models SF25VNV, UF25VNV and HF25VNV
22	F602431-3	Door Stamping	Models SF18VNV, UF18VNV and HF18VNV
	F0602837-03	Door Stamping	Models SF25VNV, UF25VNV and HF25VNV
23	F430231	Locknut	
24	F340703	Magnet	
25	F300128	Door Release Solenoid	
26	F431215	Rivet	
27	F609494	Middle Front Cover	Models SF18VNV, UF18VNV and HF18VNV
	F630596	Middle Front Cover	Models SF25VNV, UF25VNV and HF25VNV
28	F0150501-00	Trim	Order 5 feet for SF18, UF18 and HF18; Order 6 feet for SF25, UF25 and HF25
29	F430916	Screw	
30	F150225	Door Handle	
31	F310125	Door Lock Spring	
32	F320300	Pushbutton Rod	

New Style Door Handle



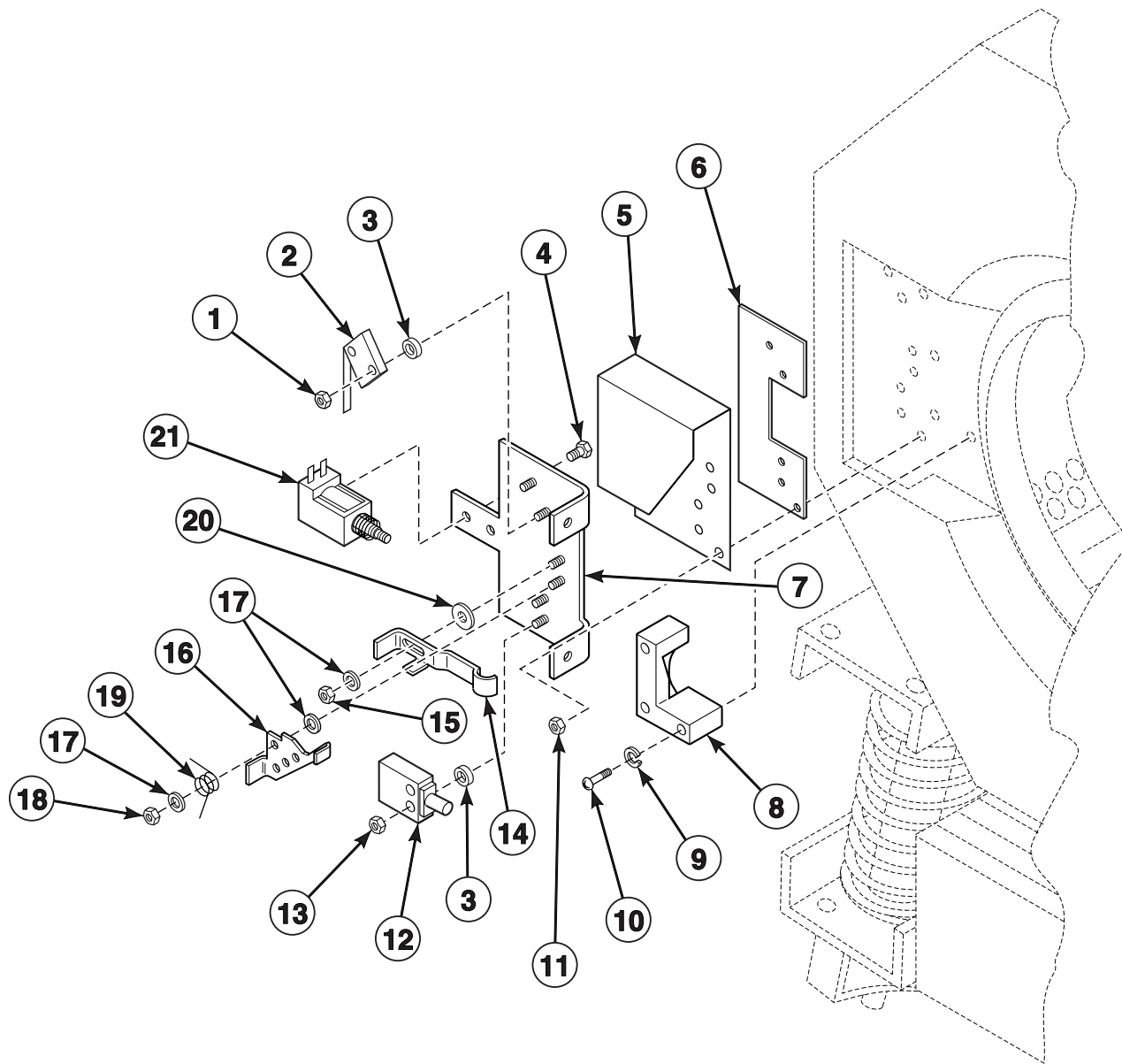
CFS1045B_F232017

New Style Door Handle

REF	PART NO.	DESCRIPTION	COMMENTS
	F0637582-00	Door Handle Upgrade Assembly	Includes items 1-6 and installation instructions; This assembly can only be installed onto machines equipped with the pin style door lock
1	F0637564-00	Door Knob	
2	F431222	Pin	
3	F431916	Washer	
4	F0637563-00	Door Handle Spacer	
5	F0637734-00	Latch Arm Upgrade Subassembly	
6	F150267	Door Holder	

Door Lock

Used before 12/11/00



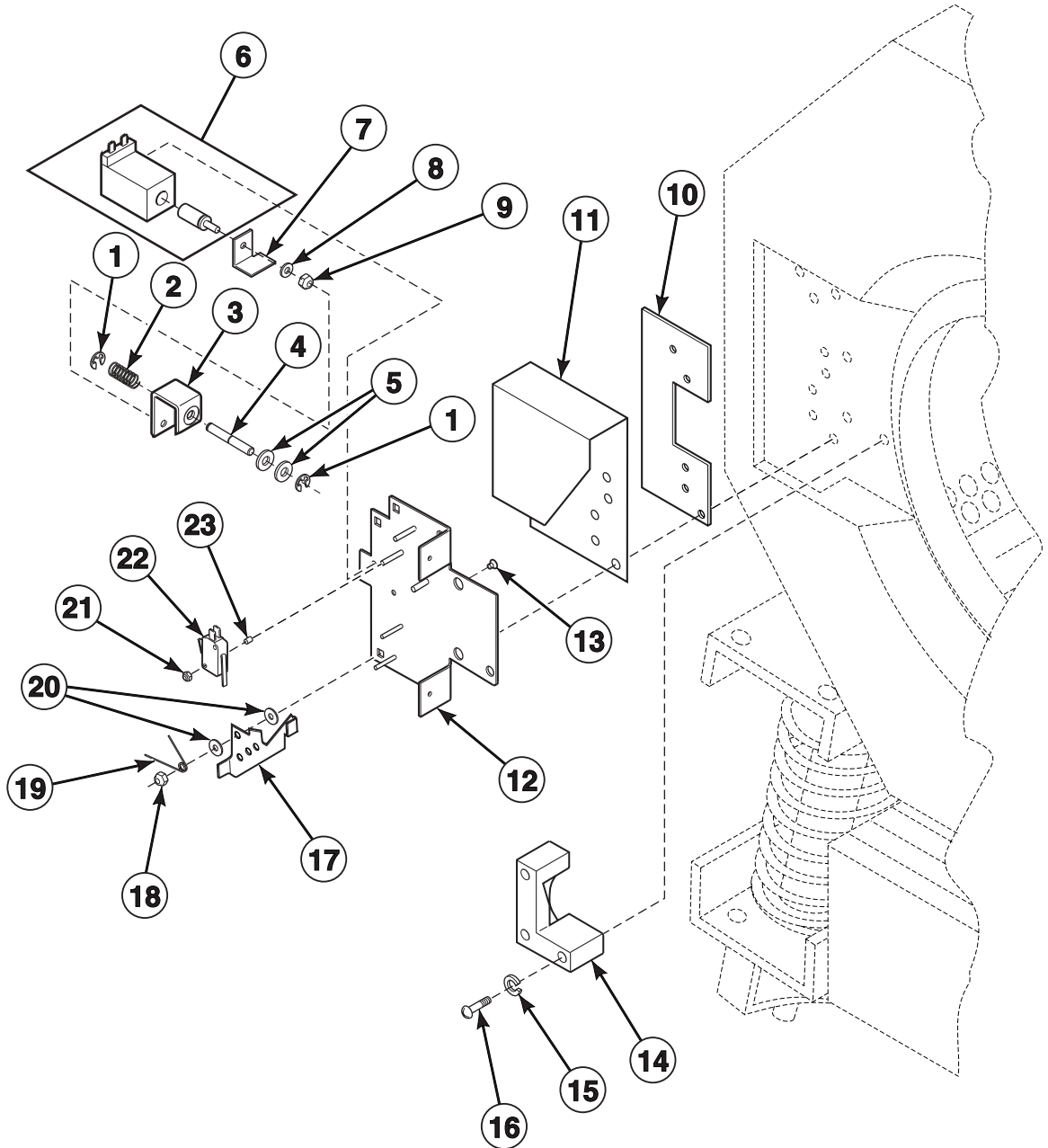
CFS1914P_F232017

Door Lock

REF	PART NO.	DESCRIPTION	COMMENTS
	F798752	Door Lock Retrofit	120 Volt; Includes items 12, 15, wiring, connectors, cable ties, position magnet, screw, rivets, reed switch assembly, templates, drawing and installation instructions
1	F430225	Locknut	
2	F340923	Door Latch Microswitch	
3	F431901	Spacer	
4	F430977	Screw	
5	F320200	Door Lock Splash Shield	
6	F603185	Shim	
7	F633084	Door Lock Plate Subassembly	
8	F609501	Door Lock Catch	
9	F431100	Lockwasher	
10	F430921	Screw	
11	F431024	Locknut	
12	F340200	Door Switch	
13	F430232	Locknut	
14	F605382	Pushbutton Stop	
15	F430231	Locknut	
16	F605381	Door Lock Lever	
17	F431902	Washer	Nylon
18	F430225	Locknut	
19	F310110	Door Lock Torsion Spring	
20	F431147	Washer	Nylon
21	F300128	Door Release Solenoid	

Door Lock

Used after 12/11/00

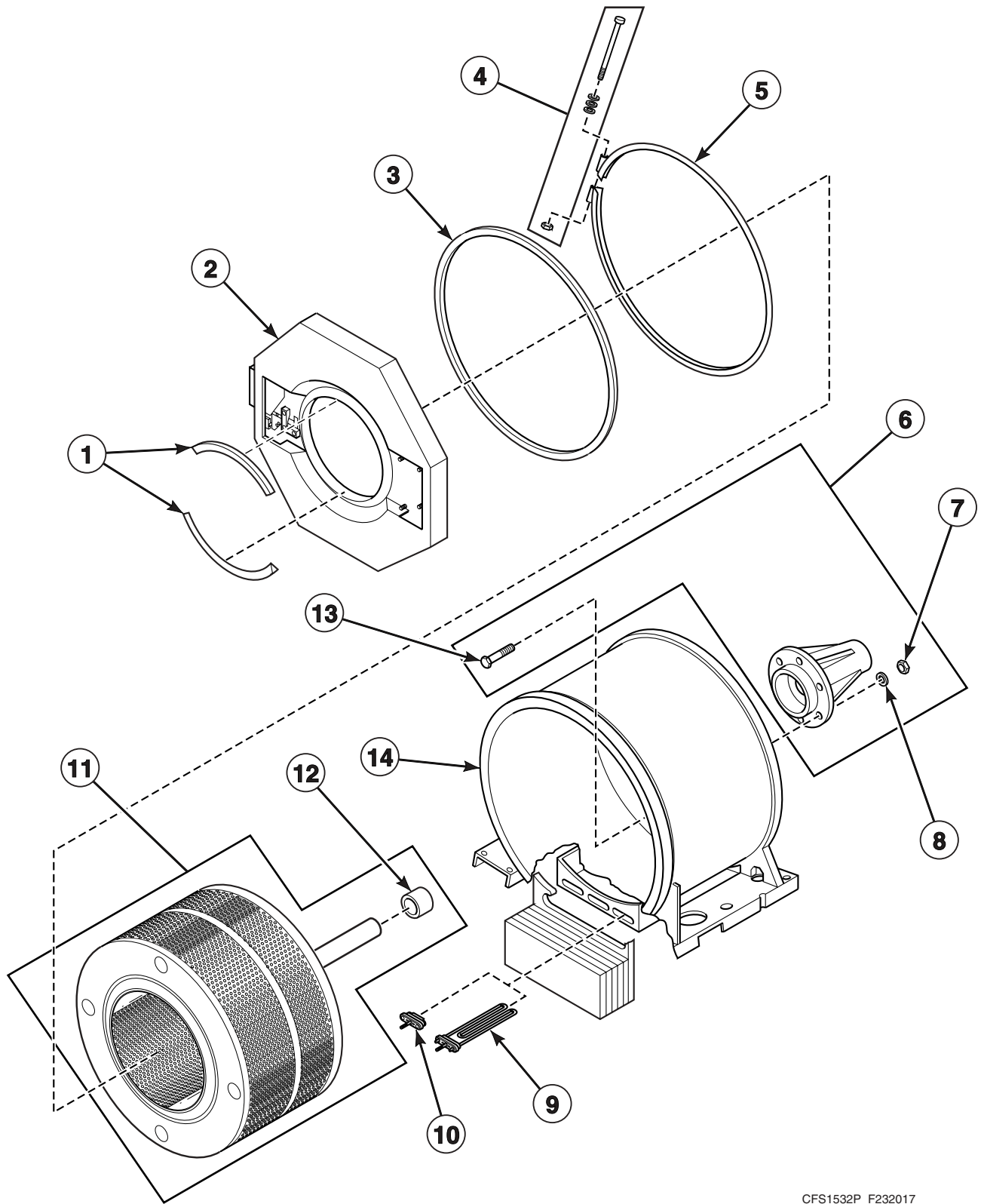


CFS1777P_F232017

Door Lock

REF	PART NO.	DESCRIPTION	COMMENTS
	F0798815-00	Pin Lock Conversion Kit	Includes items 1-9 and 12-23
1	F310205	E-Ring Retainer	
2	F310137	Spring	
3	F150455	Door Pin Lock Linkage	
4	F431231	Pin	
5	F430317	Washer	
6	F300128	Door Release Solenoid	
7	F0636103-00	Door Lock Retainer Latch	
8	F431123	Washer	
9	F431017	Locknut	
10	F603185	Door Lock Plate Shim	
11	F320200	Door Lock Splash Shield	
12	F633084	Door Lock Plate Subassembly	
13	F430977	Screw	
14	F150261	Catch Casting	
15	F431100	Lockwasher	
16	F430921	Screw	
17	F605381	Lever	
18	F430232	Locknut	
19	F310110	Spring	
20	F431902	Washer	
21	F430225	Locknut	
22	F340923	Door Lock Micro Switch	
23	F431901	Spacer	

Basket, Shell and Shell Front

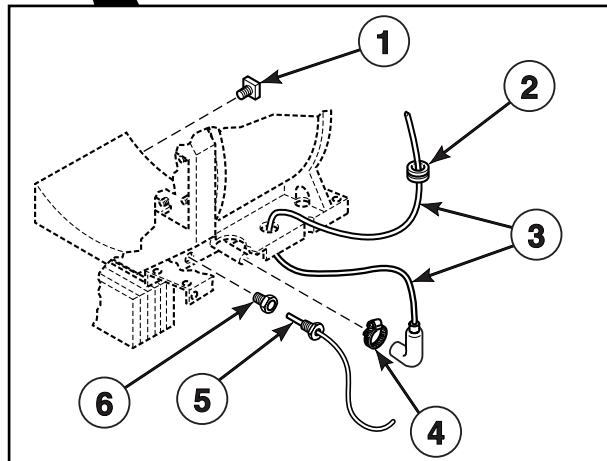
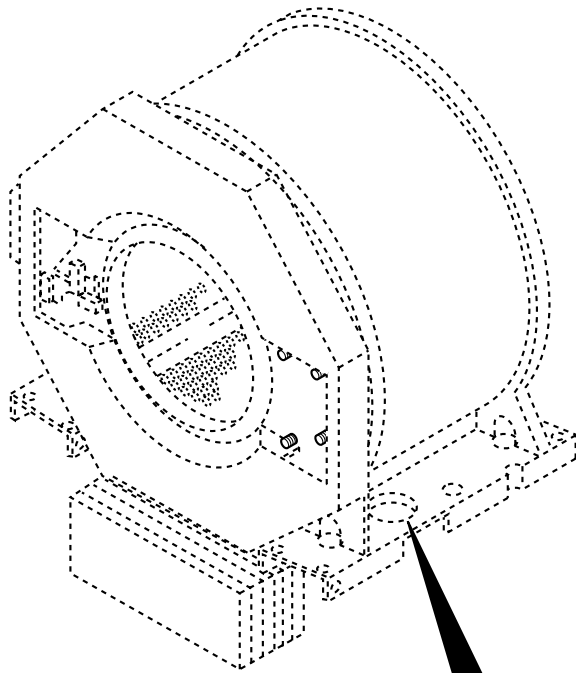


CFS1532P_F232017

Basket, Shell and Shell Front

REF	PART NO.	DESCRIPTION	COMMENTS
1	F170401	Inner Front Panel Gasket	Order 6 feet
2	F609446	Shell Front Weldment	Models SF18VNV, UF18VNV and HF18VNV
	F630391	Shell Front Weldment	Models SF25VNV, UF25VNV and HF25VNV
3	F170152	Gasket	Order 8 feet
4	F791001	Fastener Kit	
5	F602757	Shell Band Assembly	Models SF18VNV, UF18VNV and HF18VNV
	F631977	Shell Band Assembly	Models SF25VNV, UF25VNV and HF25VNV
6	F747006-01	Trunnion Kit	Models SF18VNV, UF18VNV and HF18VNV; Includes items 7, 8 and 13
	F747007-01	Trunnion Kit	Models SF25VNV, UF25VNV and HF25VNV; Includes items 7, 8 and 13
7	F430240	Locknut	
8	F431131	Washer	
9	F360206	Heating Element	
10	F360202	Plug	
11	F609440	Basket Assembly	Models SF18VNV, UF18VNV and HF18VNV; Includes item 12
	F609555	Basket Assembly	Models SF25VNV, UF25VNV and HF25VNV; Includes item 12
12	F400379	Shaft Sleeve	Models SF18VNV, UF18VNV and HF18VNV
	F400380	Shaft Sleeve	Models SF25VNV, UF25VNV and HF25VNV
13	F430987	Screw	
14	F609456	Shell Assembly	Models SF18VNV, UF18VNV and HF18VNV
	F609557	Shell Assembly	Models SF25VNV, UF25VNV and HF25VNV

Temperature Probe and Air Trap Hose

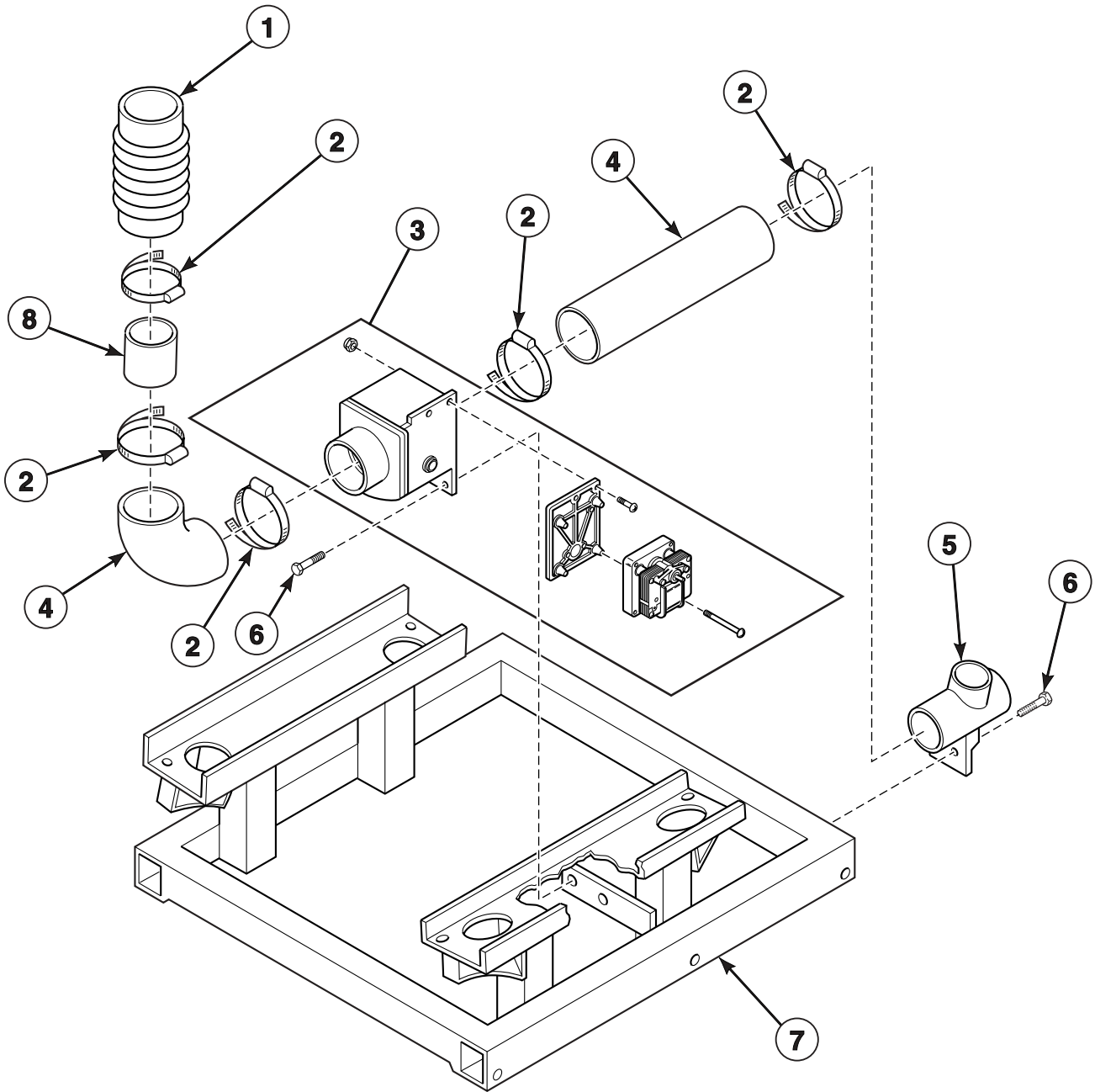


CFS1900P_F232017

Temperature Probe and Air Trap Hose

REF	PART NO.	DESCRIPTION	COMMENTS
1	F421507	Plug	
2	F170604	Grommet	
3	F200142	Air Trap Hose	
4	F200205	Clamp	#10
5	F370606	Temperature Probe	
6	F421936	Reducer Bushing	

Drain Valve, Hoses and Frame Assembly

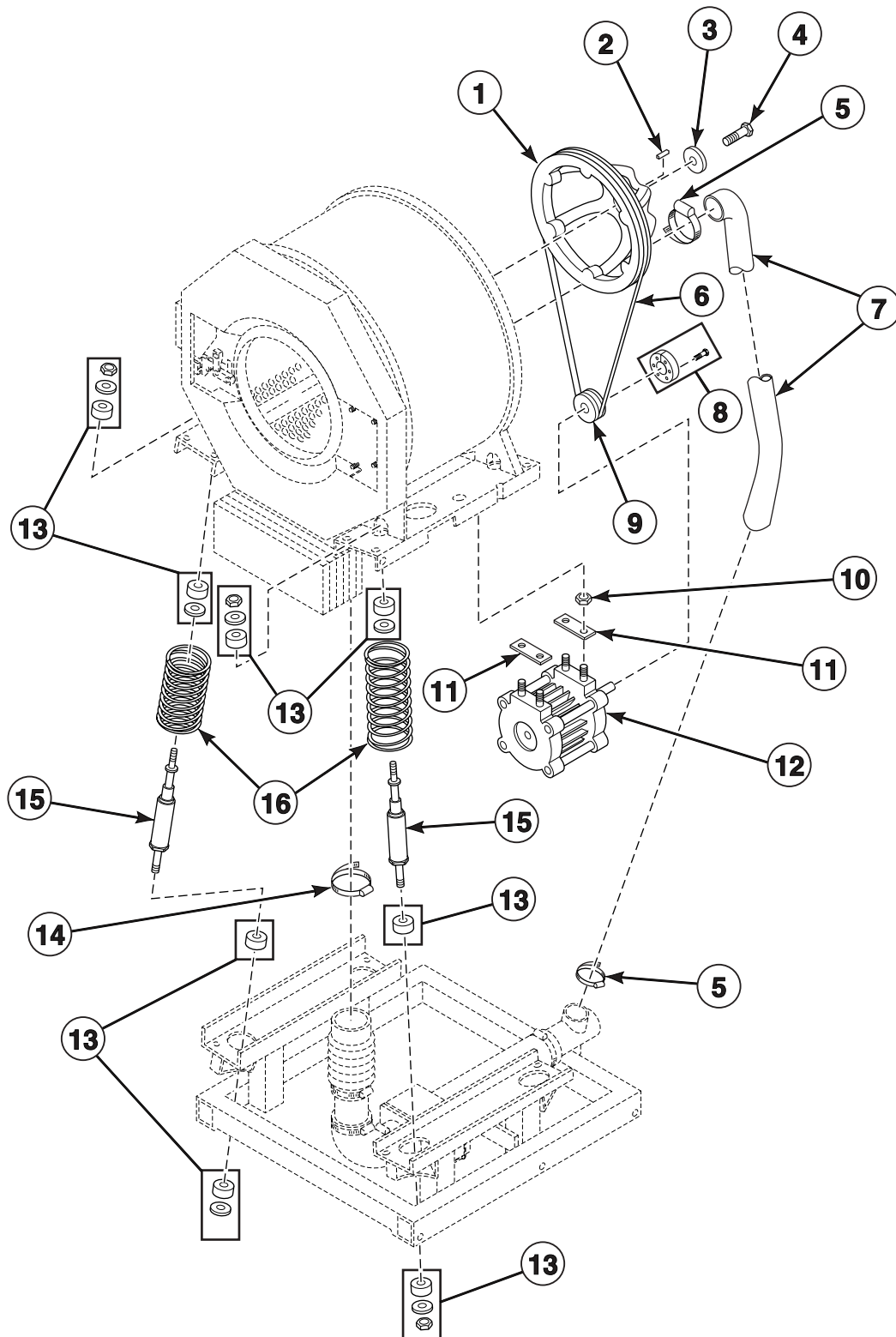


CFS1534P_F232017

Drain Valve, Hoses and Frame Assembly

REF	PART NO.	DESCRIPTION	COMMENTS
1	F200171	Flex Hose	
2	F200213	Clamp	#40
3	F380618	Drain Valve	120 Volt
	F380619	Drain Valve	220 Volt
4	F150311	Drain Hose	Models SF18VNV, UF18VNV and HF18VNV
	F150331	Drain Hose	Models SF25VNV, UF25VNV and HF25VNV
5	F150318	Drain Tee	
6	F430103	Screw	
7	F609474	Frame Assembly	Models SF18VNV, UF18VNV and HF18VNV
	F609552	Frame Assembly	Models SF25VNV, UF25VNV and HF25VNV
8	F602794-1	Tubing	

Motor, Belt, Pulley and Suspension



CFS1535P_F232017

Motor, Belt, Pulley and Suspension

REF	PART NO.	DESCRIPTION	COMMENTS
	F790209	Shock and Spring Kit	Models SF18VNV, UF18VNV and HF18VNV; Includes items 15 and 16
1	F150262	Basket Pulley	
2	F430801	Key	
3	F605985F	Pulley Cover Plate	
4	F430100	Screw	
5	F200215	Clamp	#28
6	F280406	Belt	Models SF18VNV, UF18VNV and HF18VNV
	F280407	Belt	Models SF25VNV, UF25VNV and HF25VNV
7	F150394	Overflow Hose	
8	F280298	Pulley Bushing	Includes screws
9	F280278	Pulley	Used until 1/15/99
	F280416	Pulley	Used from 1/15/99 until 7/19/99
	F280432	Pulley	Used from 7/19/99 until 2/21/00
	F280416	Pulley	Used from 2/21/00 until present
10	F430233	Locknut	
11	F632370	Shim	
12	F220233	Motor	Models SF18VNV, UF18VNV and HF18VNV; Used until 1/15/99
	F220131	Motor	Models SF18VNV, UF18VNV and HF18VNV; Used from 1/15/99 until 2/21/00
	F220239	Motor	Models SF18VNV, UF18VNV and HF18VNV; Used from 2/21/00 until present
	F220235	Motor	Models SF25VNV, UF25VNV and HF25VNV; Used until 2/28/00
	F220240	Motor	Models SF25VNV, UF25VNV and HF25VNV; Used from 2/28/00 until present
13	F250706	Shock Absorber Hardware	Includes nuts, washers and bushings
14	F200213	Clamp	#40
15	F250504	Shock Absorber	
16	F310136	Spring	Models SF18VNV, UF18VNV and HF18VNV
	F310138	Spring	Models SF25VNV, UF25VNV and HF25VNV

Parts Index

A

AC Drive	
F370855	9
F370856	9
F370857	9
F370858	9
AC Drive Box Assembly	
F634848	9, 11
AC Drive Box Cover	
F0634847-00	9
AC Drive Mounting Bracket	
F609489	11
F609563	11
Air Trap Hose	
F200142	35

B

Basket Assembly	
F609440	33
F609555	33
Basket Pulley	
F150262	39
Bearing	
F100160	25
Belt	
F280406	39
F280407	39
Bridge Rectifier	
F370310	7

C

Cable	
F140247	7
Cap	
F190303	19
Catch Casting	
F150261	31
Clamp	
F200204	21
F200205	35
F200207	23
F200213	21, 37, 39
F200215	39
Clip	
F601515	15
Coin Drop Cover	
F631032	7
Connection Box	
F609483	9, 11
Connector	
F140668	7
Contact Block Switch	
F340445	15

Control Panel Decal	
F0231583-00	15
F0231583-01	15
F0231583-02	15
F0231583-03	15
F0231583-04	15
F0231583-05	15
F231080	15
F231081	15
F231145	15
F231159	15
F231160	15
F231240	15
F231242	15
Cover	
F609484	9, 11
F609487	7, 11

D

Decal	
F230202	5, 7
F230206	5
F230217	5
F230630	5
F230657	15
F230661	25
F230662	25
F230693	25
F230739	5
F230831	5
F230856	5
F230857	5
F230877	5
F231065	5
F231083	15
F231147	5
F231150	5
F231299	9, 11
F231416	9, 11
Dispenser	
F602374-2	17
F602374-3	17
Door Gasket	
F170106-1	25
F170123-1	25
Door Glass	
F290205	25
F290207	25
Door Handle	
F150225	25
Door Handle Spacer	
F0637563-00	27
F432305	25
Door Handle Upgrade Assembly	
F0637582-00	27
Door Hinge	
F633791	25
Door Hinge Rod	
F630794	25
Door Holder	
F150267	25, 27

Door Knob F0637564-00.....	27
Door Latch Microswitch F340923.....	29
Door Lock Catch F609501.....	29
Door Lock Lever F605381.....	29
Door Lock Micro Switch F340923.....	31
Door Lock Plate Shim F603185.....	31
Door Lock Plate Subassembly F633084.....	29, 31
Door Lock Retainer Latch F0636103-00.....	31
Door Lock Retrofit F798752.....	29
Door Lock Splash Shield F320200.....	29, 31
Door Lock Spring F310125.....	25
Door Lock Torsion Spring F310110.....	29
Door Mount F633790.....	25
Door Pin Lock Linkage F150455.....	31
Door Release Solenoid F300128.....	25, 29, 31
Door Stamping F0602837-03.....	25
F602431-3.....	25
Door Switch F340200.....	29
Drain Hose F150311.....	37
F150331.....	37
Drain Tee F150318.....	37
Drain Valve F380618.....	37
F380619.....	37

E

Electrical Box F609486.....	7
Emergency Stop Pushbutton F340718.....	15
Emergency Stop Weldment F609512.....	15
E-Ring Retainer F310205.....	31

F

Fan F110106.....	9, 11
F220899.....	9, 11

Fastener Kit F791001.....	33
Filter F0270321-00.....	9, 11
F270306.....	23
Filter Retainer Guard F220900.....	9, 11
Filter Screen F270300.....	23
Flex Hose F200171.....	37
Frame Assembly F609474.....	37
F609552.....	37
Front Cover Gasket F170180.....	13
Fuse F350108.....	7
F350109.....	7
F350128.....	9, 11
F350131.....	7
F350133.....	7
Fuse Holder F350304.....	7, 9, 11

G

Gasket F170152.....	33
Grommet F170604.....	35
Ground Terminal Lug F140734.....	9, 11

H

Heating Element F360206.....	33
Hinge F190203.....	13
Hinge Shim F602679.....	25
Hose F150436.....	21
F150454.....	21
F200108.....	23
F200142.....	7
F200164.....	23

I

Injection Nozzle Kit F730168.....	19
Inner Front Panel Gasket F170401.....	33
Input Power Block F140747.....	9, 11
Inverter Drive F370811.....	11

F370812.....	11
F370813.....	11
F370858.....	11

F220239.....	39
F220240.....	39

J

Jumper	
F140883.....	7

K

Key	
F160562.....	13
F430801.....	39
Keypad	
F370576.....	15

L

Label	
81968R1.....	5
Latch Arm	
F0150229-00.....	25
Latch Arm Upgrade Subassembly	
F0637734-00.....	27
Lever	
F605381.....	31
Lid Lock	
F190802.....	13
Locknut	
F430215.....	9, 11
F430220.....	7
F430225.....	29, 31
F430231.....	7, 9, 11, 15, 25, 29
F430232.....	9, 11, 23, 25, 29, 31
F430233.....	39
F430240.....	33
F431017.....	31
F431024.....	13, 15, 21, 25, 29
Lockwasher	
F431100.....	29, 31

M

Magnet	
F340703.....	25
Micro Board	
F370313-10.....	15
Middle Front Cover	
F609494.....	25
F630596.....	25
Momentary Switch	
F340412.....	15
Motor	
F220131.....	39
F220233.....	39
F220235.....	39

N

Nozzle	
F380300.....	19
Nut	
F430224.....	19, 23
F431005.....	9, 11, 17
F431041.....	25

O

O-Ring	
F170208.....	19
F170209.....	25
F170219.....	25
Outer Front Cover	
F609480.....	13
F609572.....	13
Output Board CCA	
F370447.....	7
Overflow Hose	
F150394.....	39
Overlay	
F231402.....	15

P

Pin	
F431222.....	25, 27
F431231.....	31
Pin Lock Conversion Kit	
F0798815-00.....	31
Plastic Y	
F422808.....	23
Plug	
F360202.....	33
F421507.....	35
Pulley	
F280278.....	39
F280416.....	39
F280432.....	39
Pulley Bushing	
F280298.....	39
Pulley Cover Plate	
F605985F.....	39
Pushbutton Rod	
F320300.....	25
Pushbutton Stop	
F605382.....	29

R

Rear Cover	
F609477	13
F609568	13
Reducer Bushing	
F421936	35
Rivet	
F431215	17, 25

S

Screw	
F430100	39
F430103	37
F430174	7, 9, 11, 13, 23
F430532	25
F430533	25
F430910	9, 11
F430916	25
F430921	29, 31
F430925	13, 15, 21
F430928	7
F430929	9, 11
F430938	9, 11
F430948	23
F430976	9, 23, 25
F430977	29, 31
F430986	15
F430987	33
F430994	7
Shaft Sleeve	
F400379	33
F400380	33
Shell Assembly	
F609456	33
F609557	33
Shell Band Assembly	
F602757	33
F631977	33
Shell Front Weldment	
F609446	33
F630391	33
Shim	
F603185	29
F632370	39
Shock Absorber	
F250504	39
Shock Absorber Hardware	
F250706	39
Shock and Spring Kit	
F790209	39
Side Panel	
F609478	13
F609573	13
Soap Dispenser Mounting Bracket	
F602722	17
Spacer	
F431901	29, 31
Spring	
F310110	31
F310136	39
F310137	31

F310138	39
Standoff	
F180501	7
Strain Relief Connector	
F140224	7
F140329	9, 11
F140331	7, 9, 11
Supply Dispenser Cover	
F150305-1	17
Supply Dispenser Gasket	
F170170	17
Supply Dispenser Lid Clamp Assembly	
F630430	17

T

Tag	
F230560	5
Temperature Probe	
F370606	35
Terminal	
F140766	9, 11
Top Cover Assembly	
F632976	13
F632976-1	13
Top Cover Latch	
F602753	13
Trim	
F0150501-00	25
Trunnion Kit	
F747006-01	33
F747007-01	33
Tubing	
F602794-1	37

V

Vacuum Breaker Bottom	
F150330	21
Vacuum Breaker Top	
F0150329-00	23
Valve Panel	
F634843	13
F634844	13
0635953-00	15
0635954-00	15
Valve Repair Kit	
F380938	23
Valve, 3-Way	
F381720	23
F381725	23
F381728	23
Vent Hose	
F200170	21
Vent Nipple	
F422517	21

W

Washer

F430317.....	17, 31
F431123.....	31
F431131.....	33
F431147.....	29
F431902.....	29, 31
F431916.....	25, 27
20290.....	23

Water Level Switch

F0340343-10.....	7
------------------	---

Water Pressure Switch

F0340350-00.....	7
------------------	---

Wye

F421612.....	21
--------------	----
