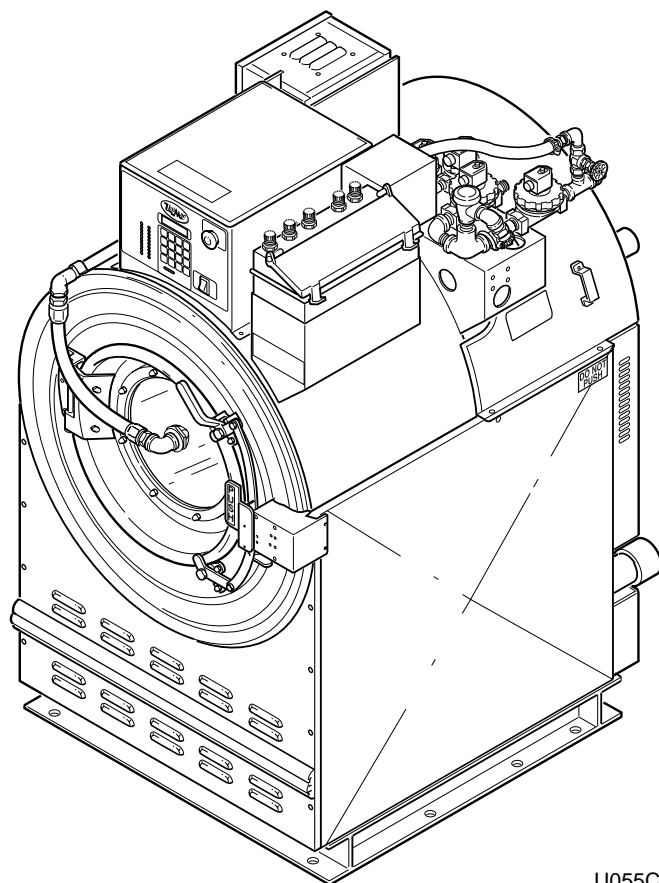


Washer-Extractor

Pocket Hardmount

UW125PV*

*This manual applies to models with either U1, U2, U3 or U4 in the 9th and 10th positions in the model number (e.g. UW125PVQU40001)



U055C

Table of Contents

Title	Page
Parts Ordering Information	2
Nameplate Location	2
Model Identification	3
Decals	4
Control Module Assembly	6
Control Module Assembly	8
Control Module Assembly	10
Cover Panels	12
Cover Panels	14
Door Assembly	16
Door Assembly	18
Door Box Assembly	20
Door Box Assembly	22
Door Box Assembly	24
Basket, Shell and Frame	26
Supply Dispenser.....	28
Supply Dispenser.....	30
Supply Dispenser.....	32
Spray and Fill Plumbing Assembly	34
Spray and Fill Plumbing Assembly	36
Spray and Fill Plumbing Assembly	38
Spray and Fill Plumbing Assembly	40
Drain Valve and Plumbing	42
Drain Valve	44
Motor.....	46
AC Drive	48
Balance Switch and Control Transformer	50
Steam Heat Option	52
Parts Index.....	55

© Copyright 2003, Alliance Laundry Systems LLC

All rights reserved. No part of the contents of this book may be reproduced or transmitted in any form or by any means without the expressed written consent of the publisher.

Parts Ordering Information

Alliance Laundry Systems is not responsible for personal injury or property damage resulting from improper service. Review all service information before beginning repairs.

If literature or replacement parts are required, contact the source from whom the machine was purchased or contact Alliance Laundry Systems at (920) 748-3950 for the name of the nearest authorized parts distributor.

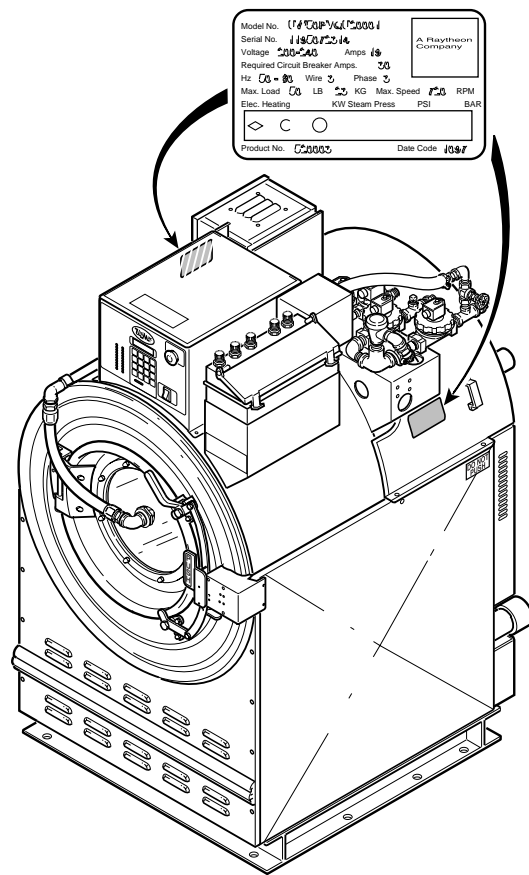
For technical assistance, call either of the following numbers:

(850) 718-1026
Marianna, Florida

(920) 748-3121
Ripon, Wisconsin

Nameplate Location

When calling or writing about your product, be sure to mention model and serial numbers. Model and serial numbers are located on nameplate(s) as shown.



U033M

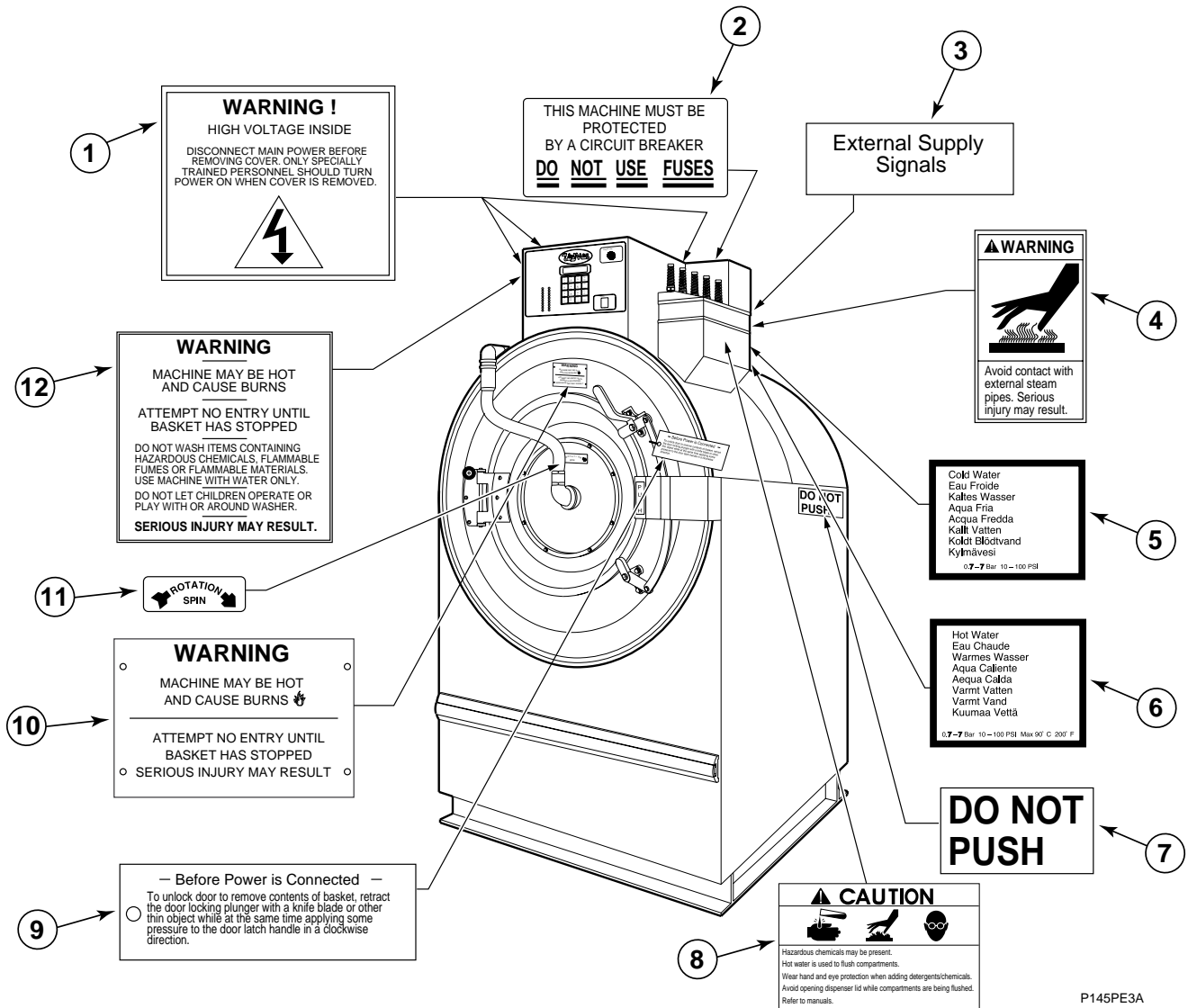
Model Identification

Information in this manual is applicable to this washer-extractor:

UW125PV*

*This manual applies to models with either U1, U2, U3 or U4 in the 9th and 10th positions in the model number (e.g. UW125PVQU40001)

Decals



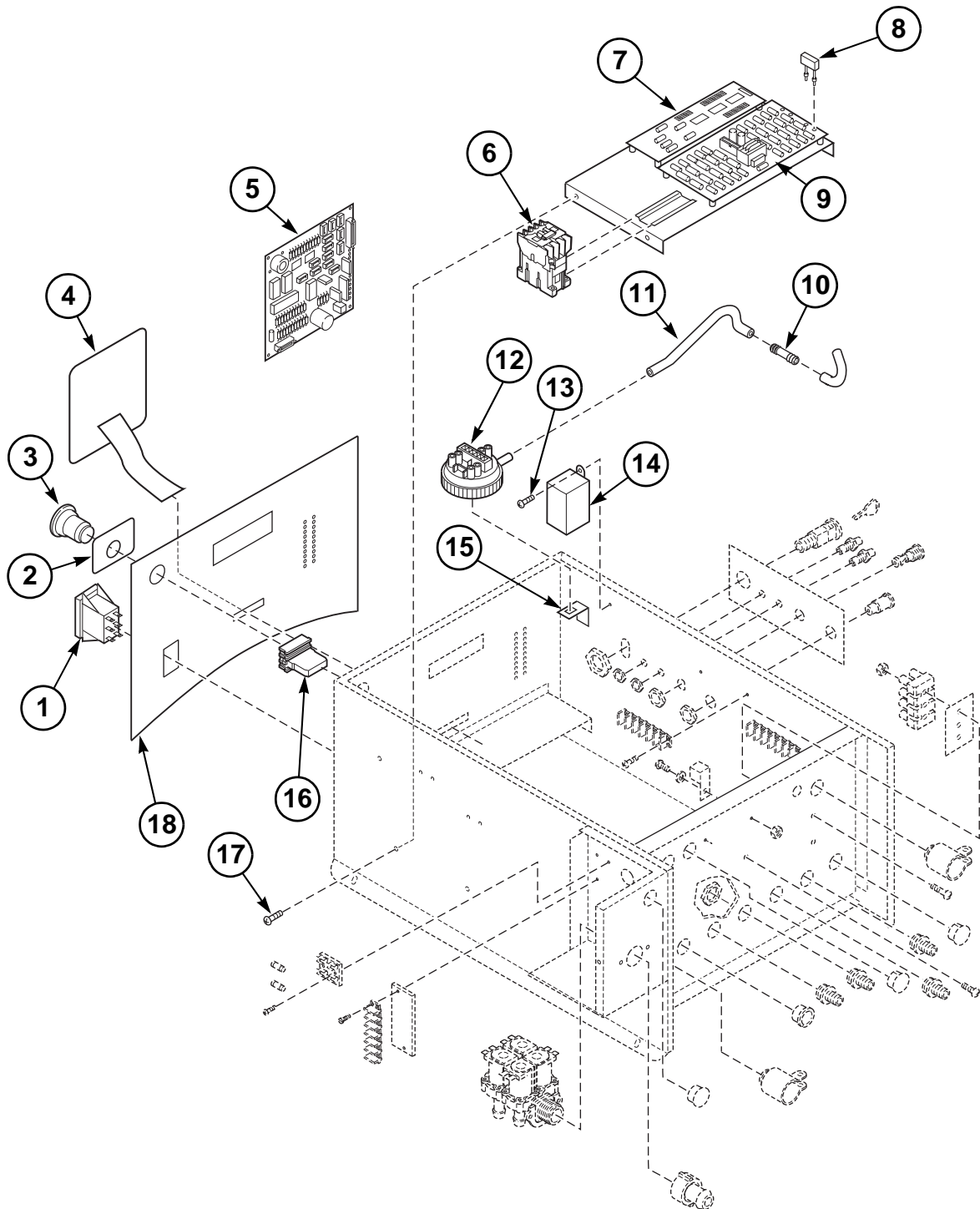
P145PE3A

Decals

REF	PART #	DESCRIPTION	COMMENTS
1	F230206	Decal	
2	F230301	Decal	
3	F230606	Decal	
4	F231380	Decal	
5	F231368	Decal	
6	F231367	Decal	
7	F230302	Decal	
8	F231436	Decal	
9	F230501	Tag	
10	F230218	Plate	
11	F230652	Decal	
12	F231065	Decal	

Control Module Assembly

New Style; Page 1 of 2



PHM2089P

Control Module Assembly

New Style; Page 1 of 2

REF	PART #	DESCRIPTION	COMMENTS
1	F340412	Switch	
2	F231083	Decal	Emergency stop
3	F340718	Emergency Stop Pushbutton	
4	F230724	Keypad Decal	
5	F370534-10	WE-6 Computer	
6	F330187	Contacto	120 Volt; NX208
	F330188	Contacto	220 Volt; NX208
7	F370446	Interface CCA	
8	F330217	RC Network Filter	
9	F0370443-10	Output CCA	120 Volt
	F350110	Fuse	1 Amp; Slo Blo
	F350109	Fuse	1/2 Amp; Fast Blo
	F350108	Fuse	1/8 Amp; Slo Blo
10	F422500	Connector	
11	F422404	Tubing	Order 3 feet
12	F0340348-10	Water Level Switch	
13	F430917	Screw	
14	F300203	Buzzer	120 Volt
	F300202	Buzzer	220 Volt
15	F630242	Water Level Switch Bracket	
16	F340445	Contact Block Switch	
17	F430928	Screw	
18	F231562	Decal	Control module

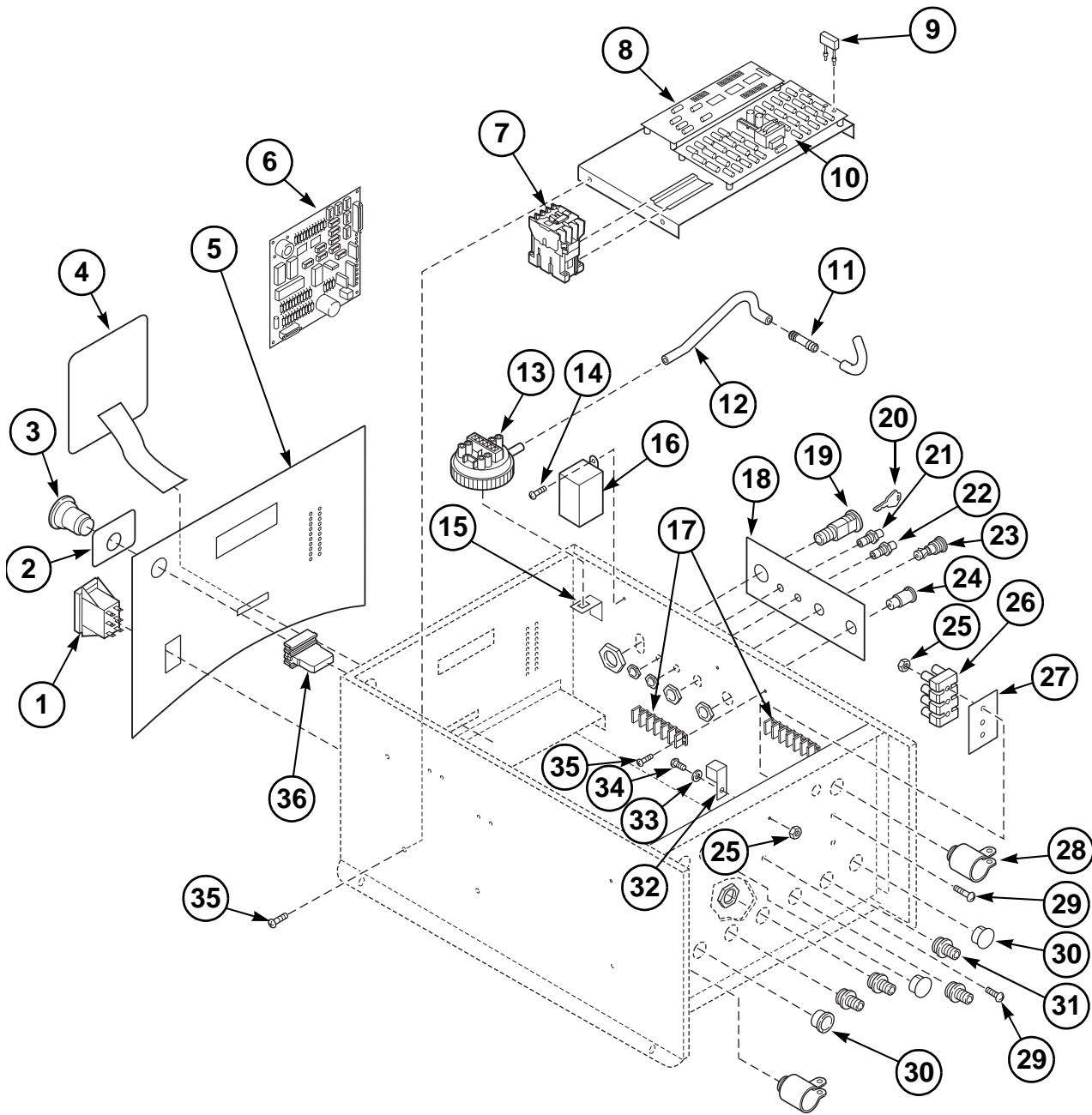
Control Module Assembly

New Style; Page 2 of 2

REF	PART #	DESCRIPTION	COMMENTS
1	F140738	Terminal Strip	
2	F230678	Decal	Keymode switch
3	F340800	Keymode Switch	Includes item 18
4	F370709	Key	
5	F140575	Feedthru Connector	Gray
6	F140576	Feedthru Connector	Blue
7	F350211	Circuit Breaker	3 Amp
8	F350412	Light	Red; 120 Volt
	F350414	Light	Red; 220 Volt
9	F431022	Nut	
10	F140747	Input Power Block	
11	F230677	Decal	Input power connector
12	F140311	Connector	
13	F430916	Screw	
14	F140527	Plug	
15	F140309	Connector	
16	F140909	Bushing	
17	F200302	Connector	
18	F431000	Nut	
19	F140734	Ground Terminal Lug	
20	F431106	Lockwasher	
21	F430995	Screw	
22	F430928	Screw	
23	F230622	Decal	External supply
24	F381724	4-Way Valve	Elbi; 120 Volt
	F381723	4-Way Valve	Elbi; 220 Volt
	G581P3	Diaphragm and Guide Kit	Elbi
	F380715	4-Way Valve	Mueller; 120 Volt
	F380938	Valve Repair Kit	Mueller
25	F140782	Terminal Block	
26	F430910	Screw	
27	F350115	Fuse	3 Amp
28	F0350312-10	Dual Fuseholder	

Control Module Assembly

Old Style



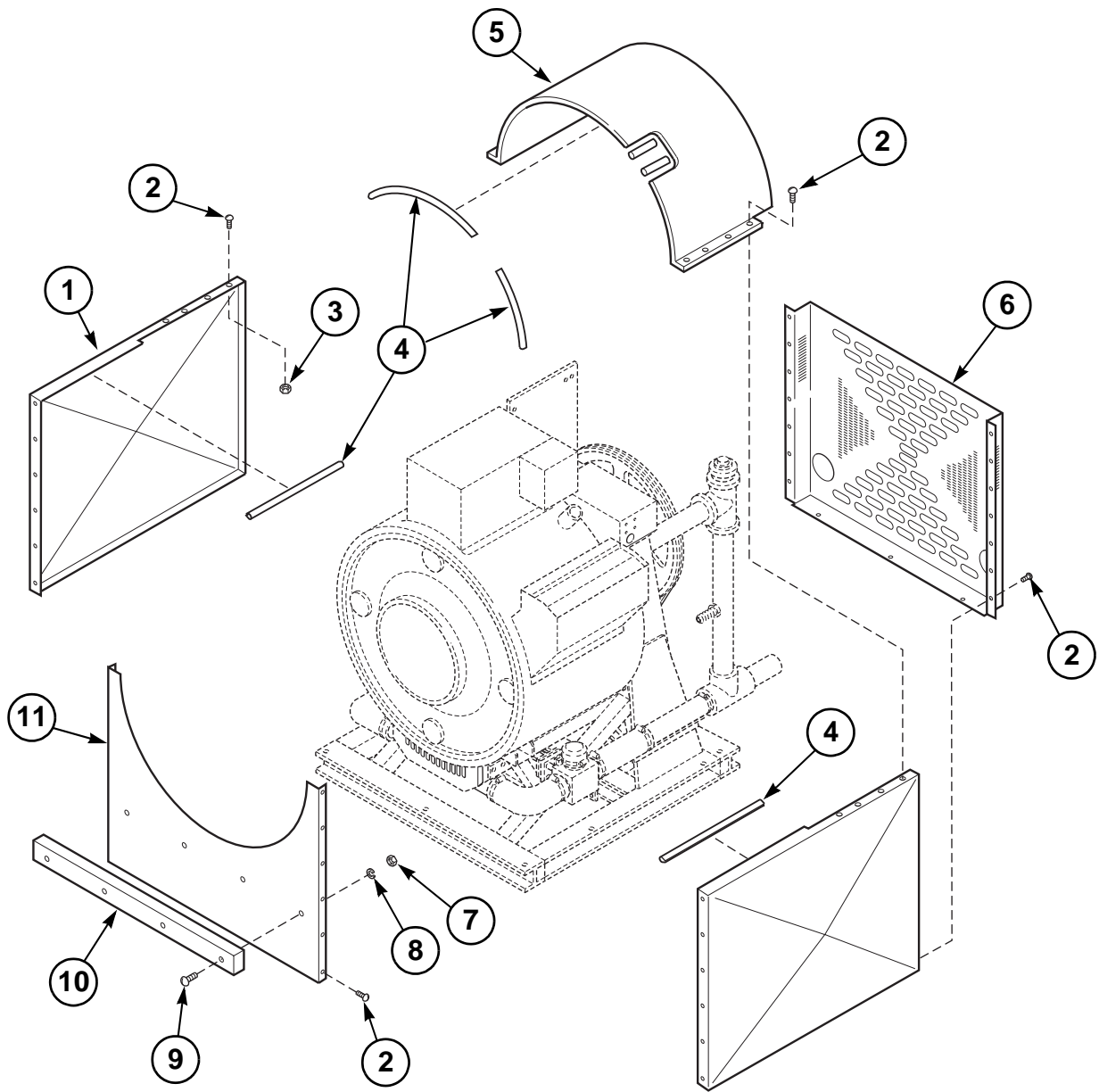
Control Module Assembly

Old Style

REF	PART #	DESCRIPTION	COMMENTS
1	F340412	Momentary Switch	
2	F231083	Decal	Emergency stop
3	F340718	Emergency Stop Pushbutton	
4	F230724	Keypad Decal	
5	F231562	Control Module Decal	
6	F370534-10	WE-6 Computer	
7	F330187	Contactora	120 Volt; NX208
	F330188	Contactora	220 Volt; NX208
8	F370446	Interface CCA	
9	F330217	RC Network Filter	
10	F0370443-10	Output CCA	120 Volt
	F350110	Fuse	1 Amp; Slo Blo
	F350109	Fuse	1/2 Amp; Fast Blo
	F350108	Fuse	1/8 Amp; Slo Blo
11	F422500	Connector	
12	F422404	Tubing	Order 3 feet
13	F0340348-10	Water Level Switch	
14	F430917	Screw	
15	F630242	Water Level Switch Bracket	
16	F300203	Buzzer	120 Volt
	F300202	Buzzer	220 Volt
17	F140738	Terminal Strip	
18	F230678	Decal	Keymode switch
19	F340800	Keymode Switch	Includes item 19
20	F370709	Key	
21	F140575	Feedthru Connector	Gray
22	F140576	Feedthru Connector	Blue
23	F350211	Circuit Breaker	3 Amp
24	F350412	Light	Red; 120 Volt
	F350414	Light	Red; 220 Volt
25	F430231	Locknut	
26	F140747	Input Power Block	
27	F230677	Decal	Input power connector
28	F140311	Connector	
29	F430916	Screw	
30	F140527	Plug	
31	F140309	Connector	
32	F140734	Ground Terminal Lug	
33	F431106	Washer	
34	F430995	Screw	
35	F430928	Screw	
36	F340445	Contact Block Switch	

Cover Panels

New Style



PHM2092P

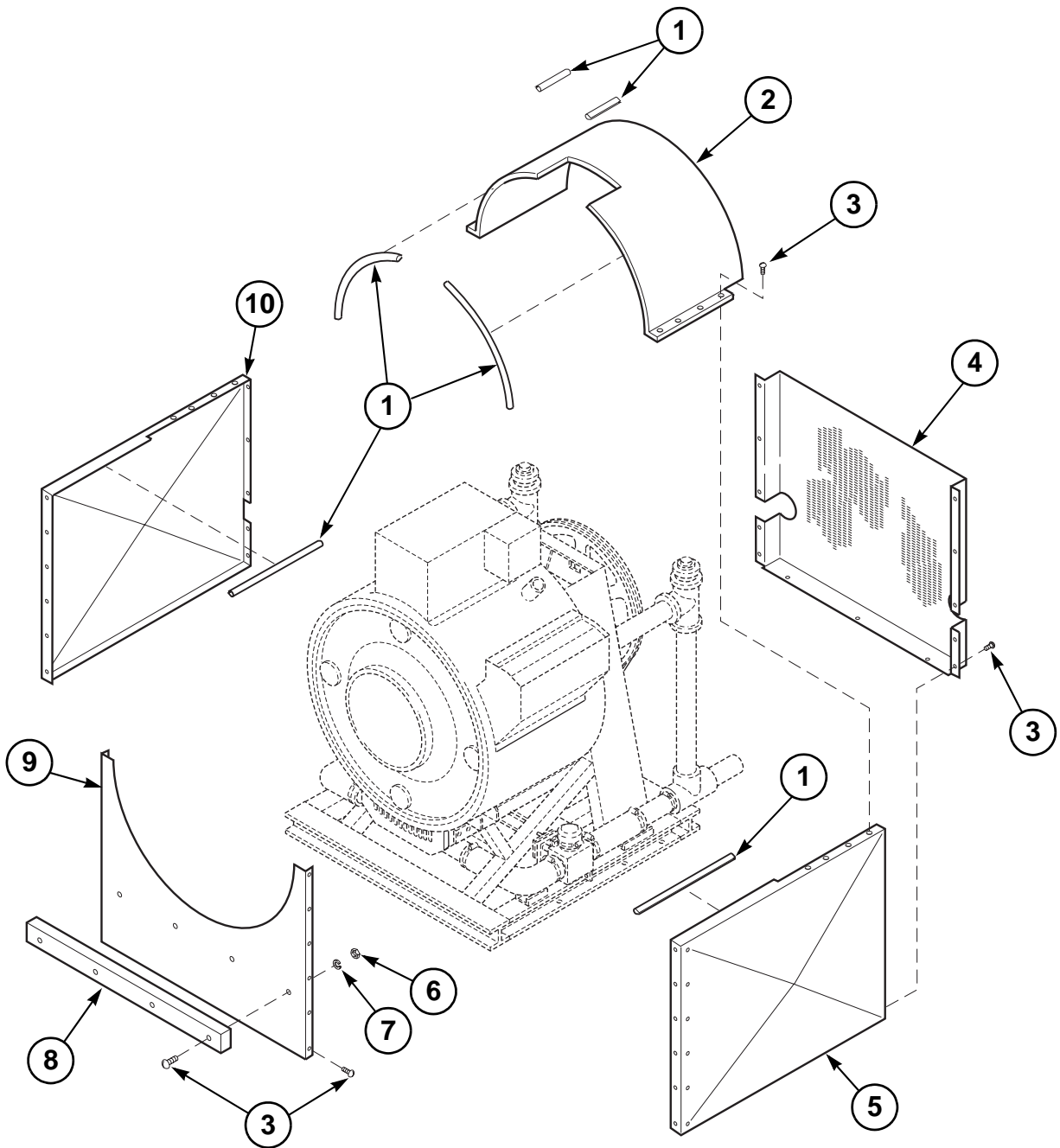
Cover Panels

New Style

REF	PART #	DESCRIPTION	COMMENTS
1	F631553	Side Panel	Reversible
2	F430956	Screw	
3	F430264	Nut	Tinnerman
4	F170400	Trim	Order 5 feet
5	F633783	Cage Wrap Assembly	
6	F633777	Rear Panel	
7	F430211	Nut	
8	F431100	Lockwasher	
9	F430921	Screw	
10	F601839	Rub Rail	
11	F631560	Front Panel	

Cover Panels

Old Style



PHM2093P

P086PE3B

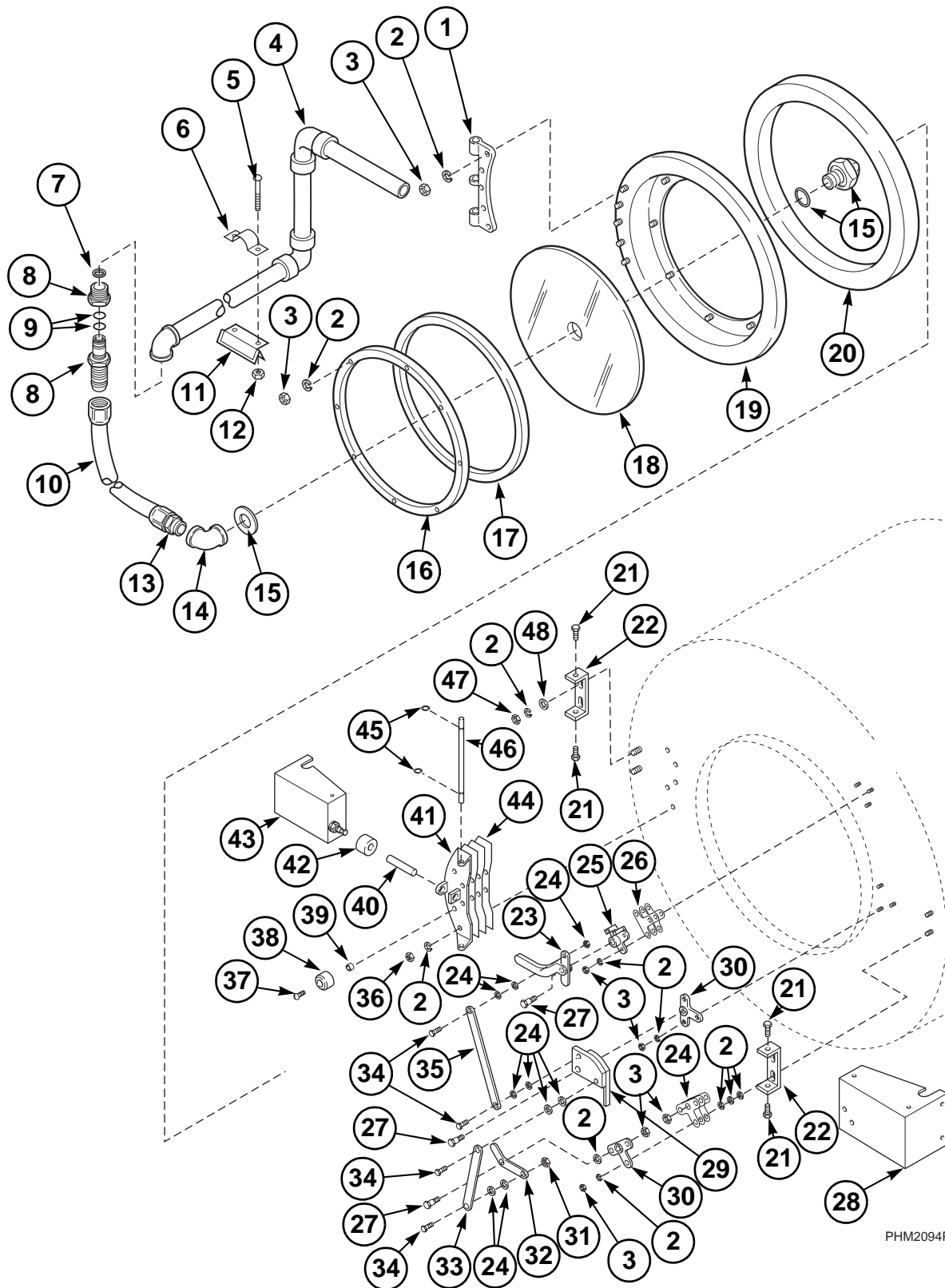
Cover Panels

Old Style

REF	PART #	DESCRIPTION	COMMENTS
1	F170400	Trim	Order 5 feet
2	F603704	Cage Wrap Assembly	
3	F430956	Screw	
4	F631559	Rear Panel	
5	F601838	Side Panel	Right
6	F430211	Nut	
7	F431100	Lockwasher	
8	F601839	Rub Rail	
9	F601837	Front Panel	
10	F602919	Side Panel	Left

Door Assembly

Two Door Box



PHM2094P

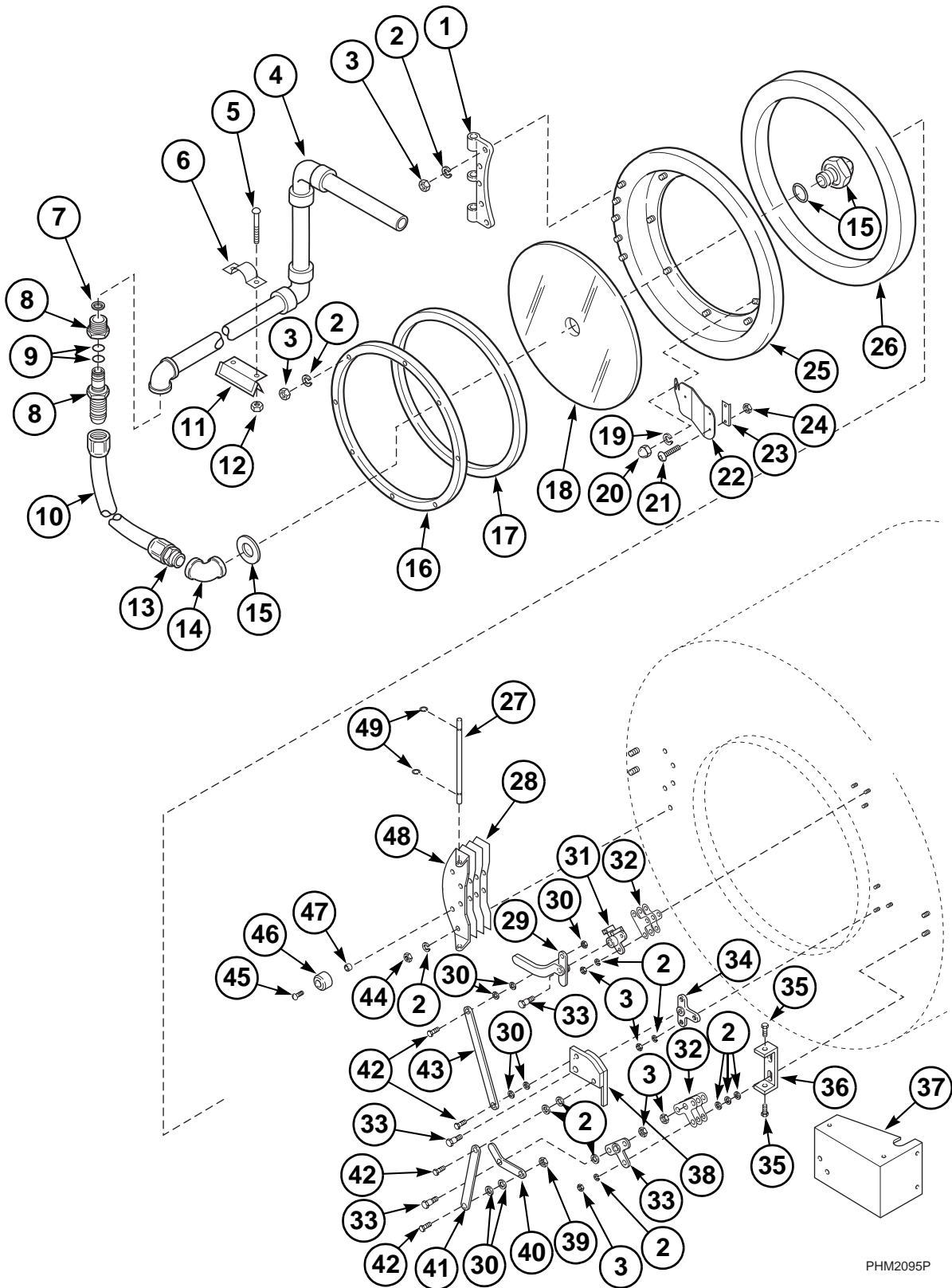
Door Assembly

Two Door Box

REF	PART #	DESCRIPTION	COMMENTS
1	F150233	Door Butt	
2	F431100	Lockwasher	
3	F431026	Nut	
4	F610363	Spray Tube Assembly	
5	F430917	Screw	
6	F602880	Spray Rinse Strap	
7	F310206	Ring Retainer	
8	F422108	Swivel Coupling	
9	F170200	O-Ring	
10	F610068	Hose	
	F730023	Spray Rinse Hose Kit	Includes items 7, 8, 9 and 14
11	F602901	Spray Rinse Bracket Assembly	
12	F431022	Nut	
13	F422109	No Swivel Coupling	
14	F422319	Elbow	
15	F730077	Spray Rinse Nozzle Kit	
16	F320102	Door Retainer Spinning	
17	F170115	Door Glass Gasket	
18	F290204	Glass	
19	F730316	Studded Door Kit	
20	F170162	Door Gasket	
21	F430904	Screw	
22	F601129	Door Box Mounting Bracket	
23	F150203	Door Handle Casting	
24	F431118	Washer	
25	F150201	Top Latch Bracket Casting	
26	F602058	Door Latch Bracket Shim	
27	F430168	Screw	
28	F601707	Door Box	Right
29	F608803	Door Lock Pivot Plate	
30	F150202	Lower Door Latch Bracket Casting	
31	F430205	Nut	
32	F150204	Lower Door Latch Casting	
33	F610220	Extension Arm	Lower; Short
34	F430927	Screw	
35	F610221	Extension Arm	Upper; Long
36	F431005	Nut	
37	F430103	Screw	
38	F150366	Door Bumper Moulding	
39	F430416	Door Bumper Bushing	
40	F603105	Door Cam Adjusting Rod	
41	F150228	Door Hinge	
42	F604730	Door Cam Adjusting Nut	
43	F601706	Door Box	Left
44	F601948	Shim	
45	F310215	Retaining Ring	
46	F432307	Door Hinge Pin	
47	F430215	Locknut	
48	F430317	Washer	

Door Assembly

One Door Box



PHM2095P

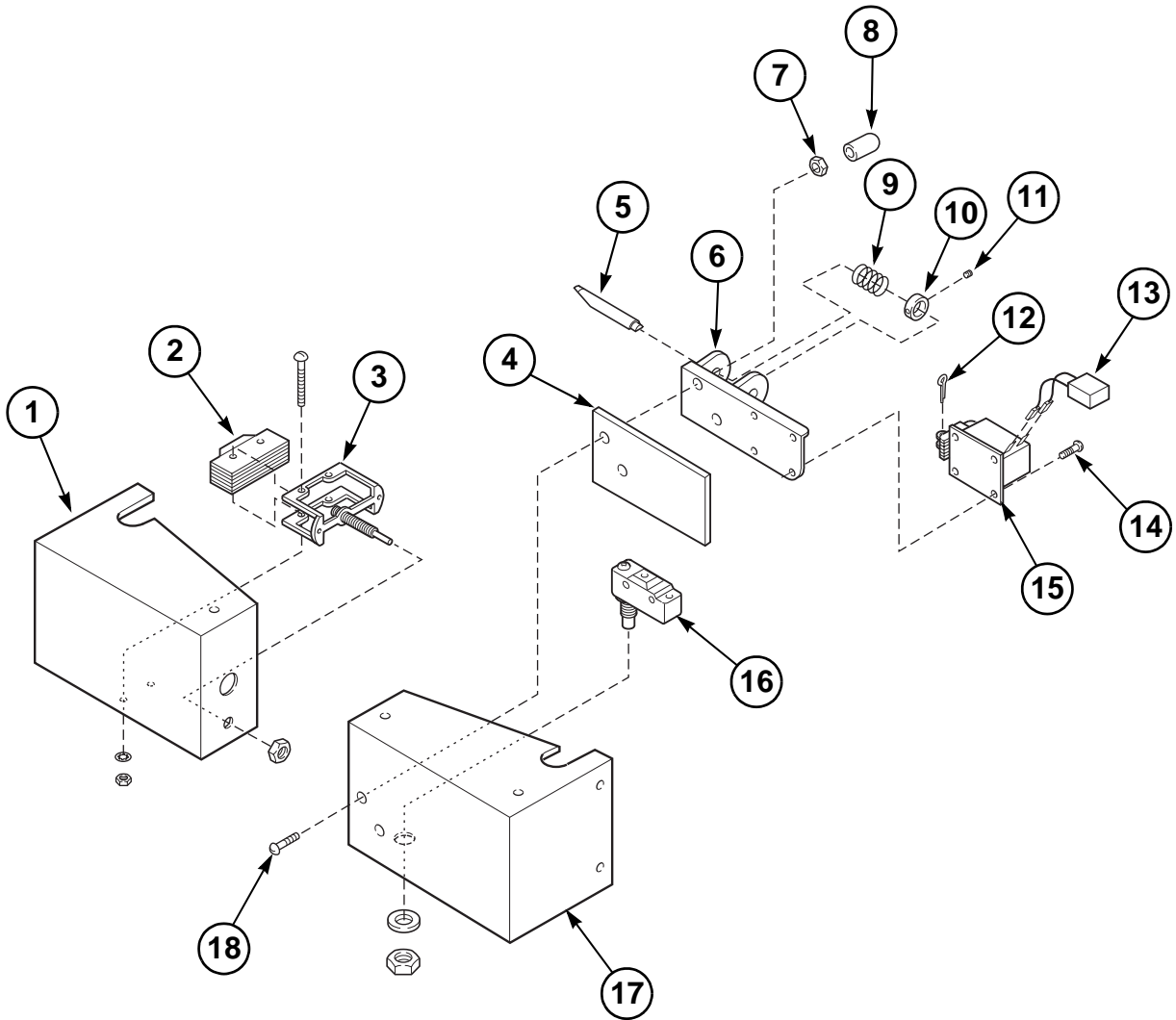
Door Assembly

One Door Box

REF	PART #	DESCRIPTION	COMMENTS
1	F150233	Door Butt	
2	F431100	Lockwasher	
3	F431026	Nut	
4	F610363	Spray Tube Assembly	
5	F430917	Screw	
6	F602880	Spray Rinse Strap	
7	F310206	Ring Retainer	
8	F422108	Swivel Coupling	
9	F170200	O-Ring	
10	F610068	Hose	
	F730023	Spray Rinse Hose Kit	Includes items 7, 8, 9 and 14
11	F602901	Spray Rinse Bracket Assembly	
12	F431022	Nut	
13	F422109	Coupling	
14	F422319	Elbow	
15	F730077	Spray Rinse Nozzle Kit	
16	F320102	Door Retainer Spinning	
17	F170115	Door Glass Gasket	
18	F290204	Glass	
19	F431100	Lockwasher	
20	F431026	Nut	
21	F430916	Screw	
22	F634416	Door Handle	
23	F340703	Magnet	
24	F430231	Locknut	
25	F634678	Studded Door Assembly	
26	F170162	Door Gasket	
27	F432307	Door Hinge Pin	
28	F601948	Shim	
29	F150203	Door Handle Casting	
30	F431118	Washer	
31	F150201	Top Latch Bracket Casting	
32	F602058	Door Latch Bracket Shim	
33	F430168	Screw	
34	F150202	Lower Door Latch Bracket Casting	
35	F430904	Screw	
36	F601129	Door Box Mounting Bracket	
37	F634822	Door Box Assembly	Right
38	F608803	Door Lock Pivot Plate	
39	F430205	Nut	
40	F150204	Lower Door Latch Casting	
41	F610220	Extension Arm	Lower; Short
42	F430927	Screw	
43	F610221	Extension Arm	Upper; Long
44	F431005	Nut	
45	F430103	Screw	
46	F150366	Door Bumper Moulding	
47	F430416	Door Bumper Bushing	
48	F150228	Door Hinge	
49	F310215	Retaining Ring	

Door Box Assembly

Two Door Box; Solenoid without Plunger Style



PHM2096P

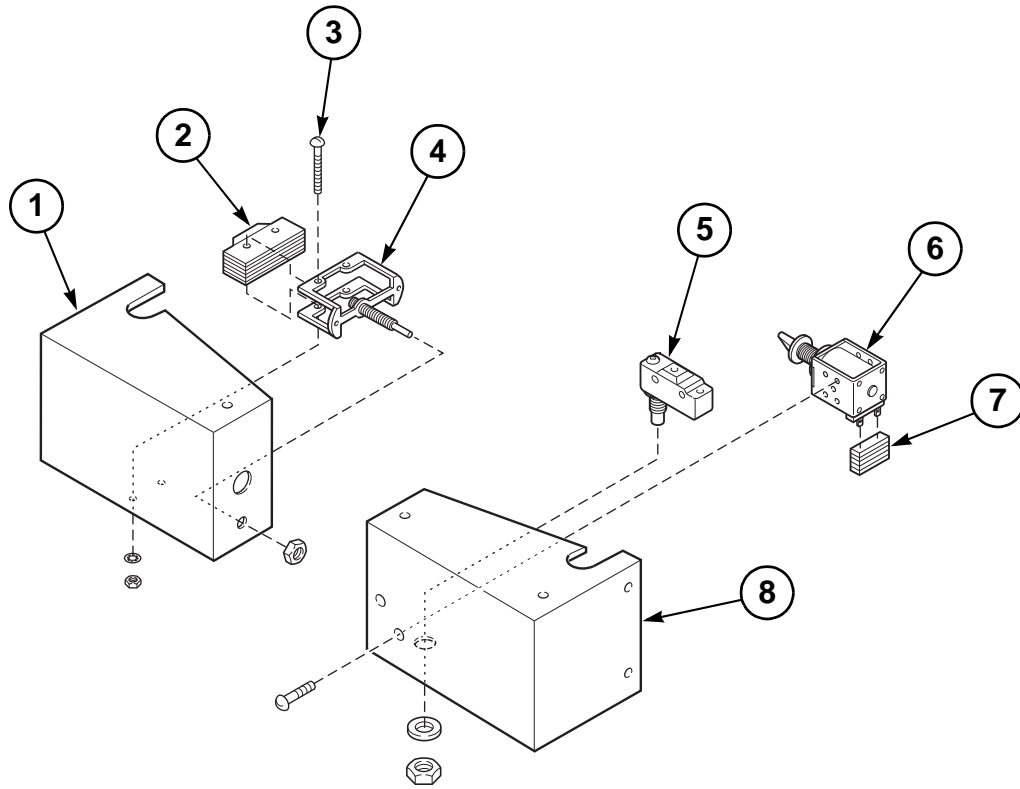
Door Box Assembly

Two Door Box; Solenoid without Plunger Style

REF	PART #	DESCRIPTION	COMMENTS
1	F601706	Door Box	Left
2	F340913	Switch Extension	Includes nuts, washer and screw
3	F340901	Door Hinge Switch	
4	F170135	Gasket	
5	F601081	Door Lock Plunger	
6	F150200	Bracket Casting	
7	F430211	Nut	
8	F190300	Cap	
9	F310119	Spring	
10	F150288	Door Lock Collar	
11	F430502	Screw	
12	F431201	Cotter Pin	
13	F330217	RC Network Filter	
14	F430917	Screw	
15	F300101	Door Solenoid	120 Volt
16	F340900	Door Interlock Switch	Includes washer and nut
17	F601707	Door Box	Right
18	F430925	Screw	

Door Box Assembly

Two Door Box; Solenoid with Plunger Style



PHM2097P

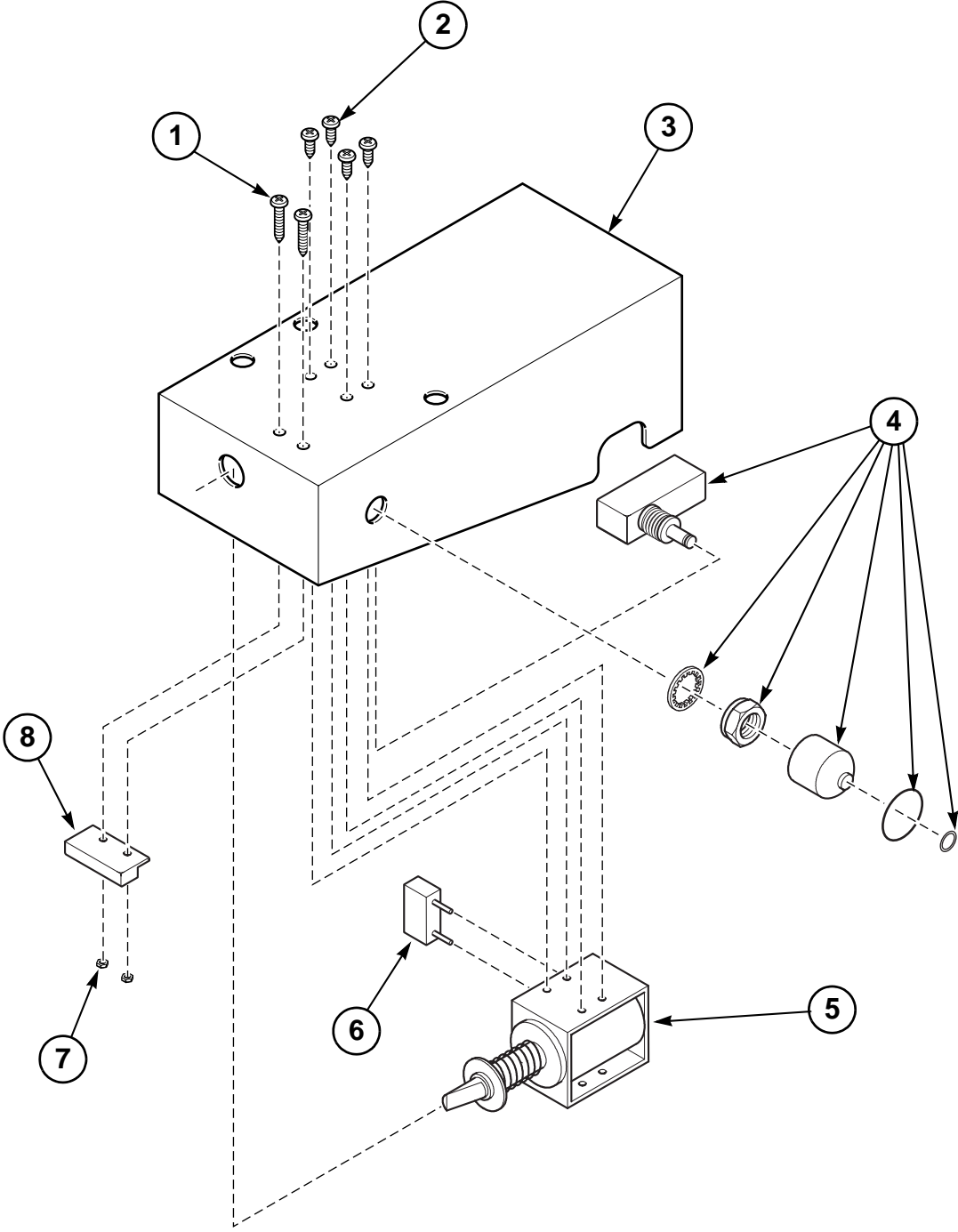
Door Box Assembly

Two Door Box; Solenoid with Plunger Style

REF	PART #	DESCRIPTION	COMMENTS
1	F601706	Door Box	Left
2	F340901	Door Hinge Switch	
3	F430995	Screw	
4	F340913	Switch Extension	Includes item 3, washer and nut
5	F340900	Door Interlock Switch	Includes washer and nut
6	F300118	Door Lock Solenoid	120 Volt; Includes screw
7	F330217	RC Network Filter	
8	F601707	Door Box	Right

Door Box Assembly

One Door Box



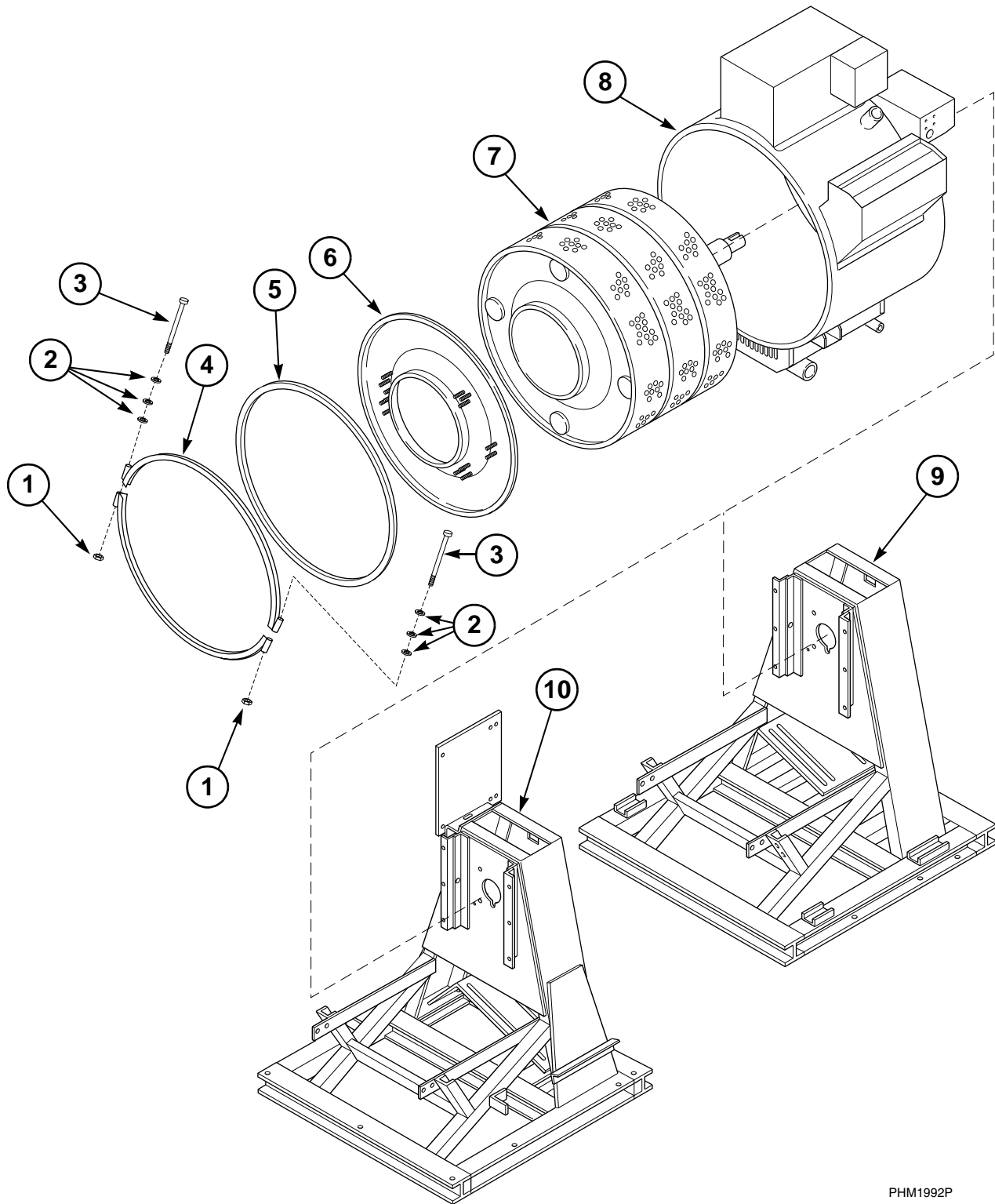
PHM1991P

Door Box Assembly

One Door Box

REF	PART #	DESCRIPTION	COMMENTS
	F634822	Door Box Assembly	Inlcudes item 1-8
1	F430928	Screw	
2	F430995	Screw	
3	F634415	Door Box	
4	F340906	Microswitch	Inlcudes hardware
5	F300118	Door Lock Solenoid	
6	F330217	RC Network Filter	
7	F430231	Locknut	
8	F340702	Magnetic Position Switch	

Basket, Shell and Frame

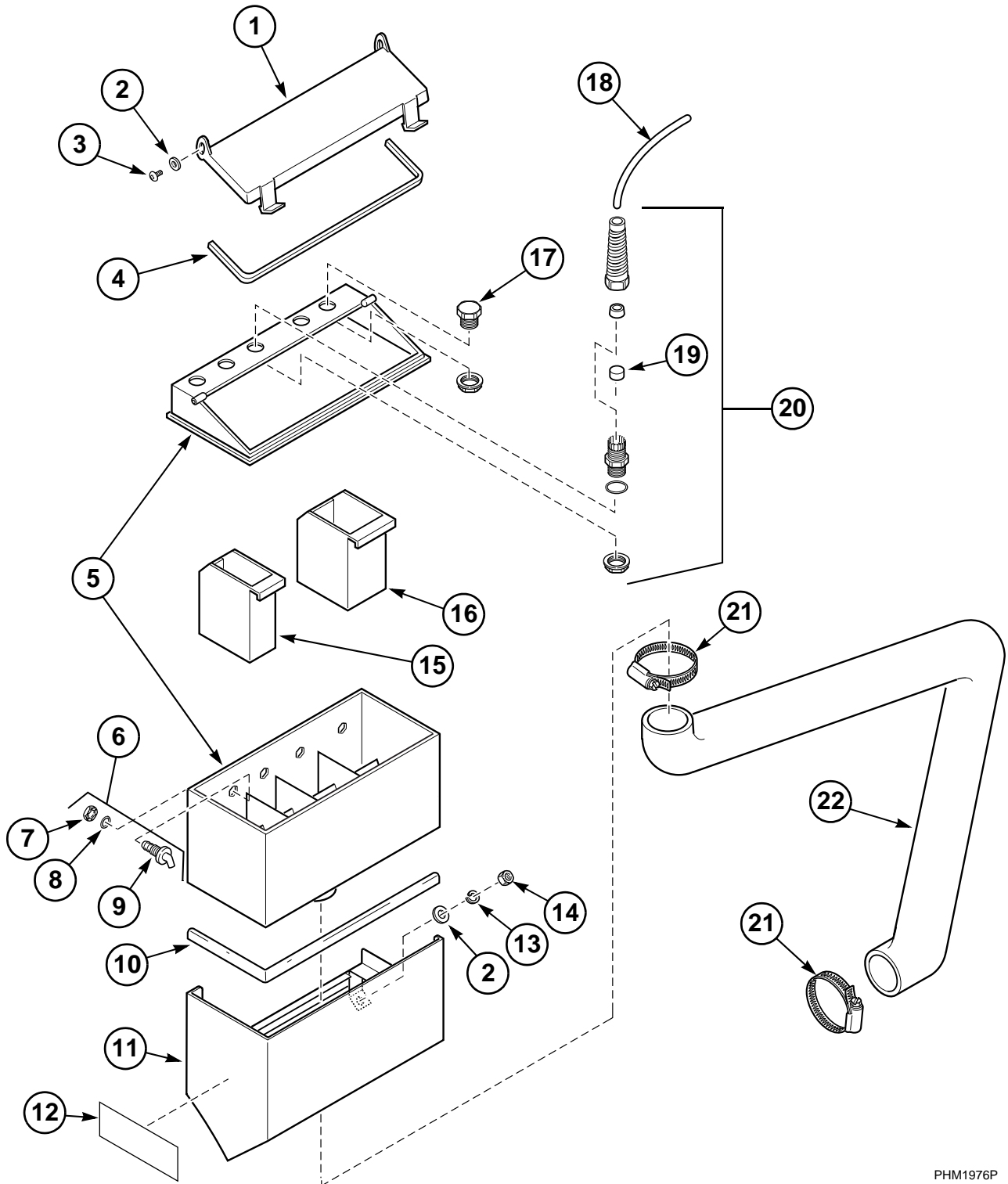


PHM1992P

Basket, Shell and Frame

REF	PART #	DESCRIPTION	COMMENTS
	F791001	Shell Band Fastener Kit	Includes items 1, 2 and 3; 2 required per shell band assembly
1	F430215	Nut	
2	F430317	Washer	
3	F430518	Screw	
4	F603630	Shell Band Assembly	2 required
5	F170120	Gasket	Order 12 feet
6	F608747	Shell Front Weldment	Two Door Box
	F634677	Shell Front Weldment	One Door Box
7	F603686-1	Basket Assembly	Standard
8	F634440	Shell Weldment	Standard
	F741020-10	Shell Kit	Pinch drain
9	F601754-1	Frame Assembly	Designs 1-3
10	F634021	Frame Weldment	Design 4

Supply Dispenser



PHM1976P

Supply Dispenser

REF	PART #	DESCRIPTION	COMMENTS
1	F150384	Dispenser Lid	
2	F431147	Washer	
3	F430956	Screw	
4	F170158	Dispenser Lid Gasket	Order 4 feet
5	F150500	Soap Dispenser Assembly	Includes items 15, 16
6	F730168	Injection Nozzle Kit	Includes items 7, 8 and 9
7	F430224	Nut	
8	F170208	O-Ring	
9	F380300	Injection Nozzle	
10	F170400	Trim	Order 4 feet
11	F633032-2	Dispenser Shroud Weldment	
12	F231020	Decal	Polypropylene dispenser
13	F431100	Lockwasher	
14	F431005	Nut	
15	F150385	Supply Cup	20 ounce
16	F150386	Supply Cup	32 ounce
17	F190304	Plug Cap	
18	F150390	Tube	
19	F170165	Plug	
20	F749802	Strain Relief Adapter Kit	
21	F200213	Clamp	#40
22	F150487	Chemical Supply Hose	

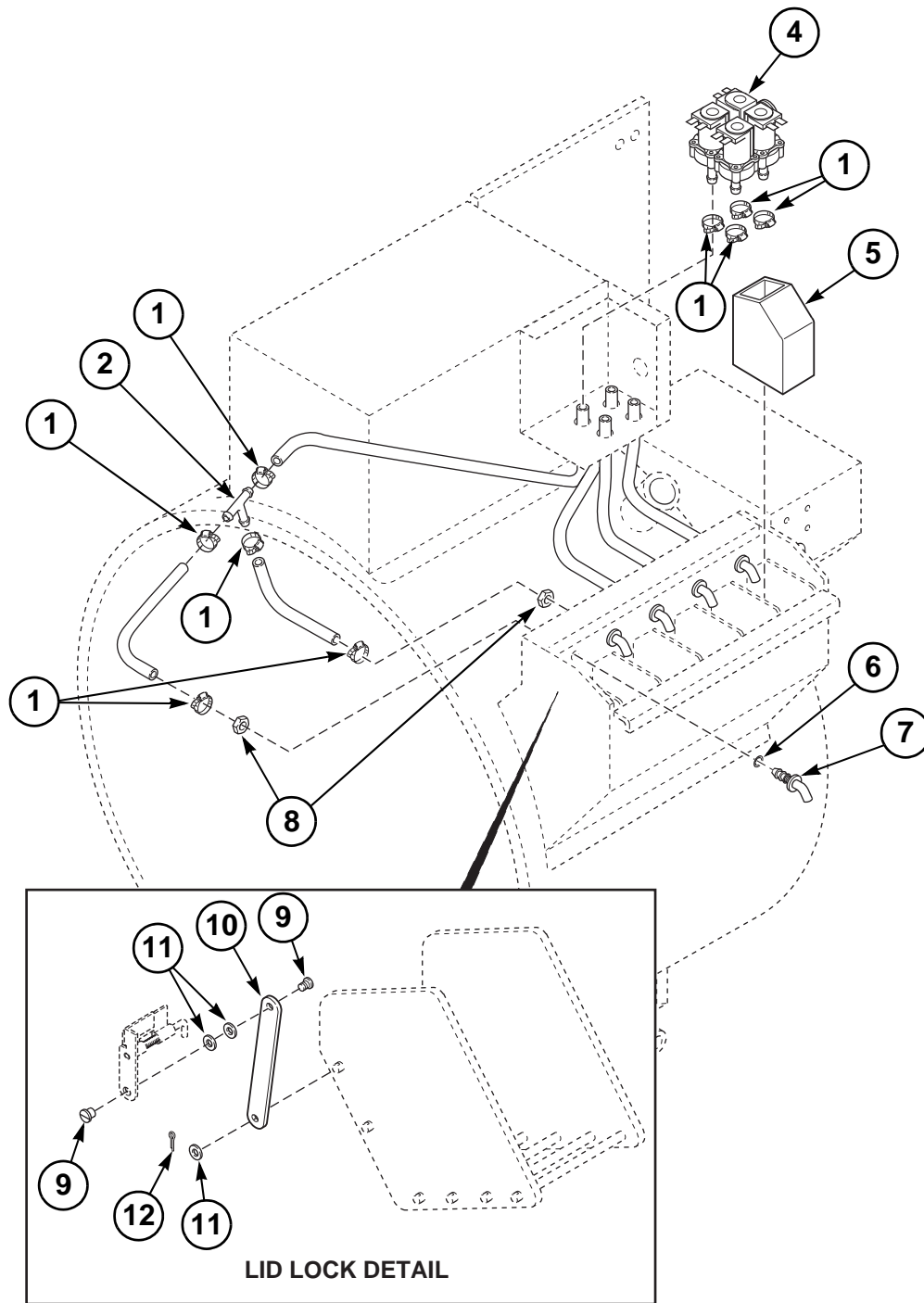
Supply Dispenser

With Horton Valve

REF	PART #	DESCRIPTION	COMMENTS
	F604602	Supply Valve Manifold Assembly	120 Volt; Includes items 5, 13, 16 and 17
1	F200401	U-Bolt Clamp	Includes hardware
2	F603084	Soap Dispenser Manifold Assembly	
3	F421934	Hose Barb	
4	F200107	Hose	Order 2 feet per hose
5	F601795	Soap Dispenser Shelf	
6	F603413	Supply Cup	64 ounce
7	F170603	Rubber Grommet	
8	F422310	Elbow	
9	F730087	Post and Screw Kit	
10	F431123	Washer	
11	F431202	Cotter Pin	
12	F601792	Soap Dispenser Link Arm	
13	F380708	Solenoid Valve	120 Volt
	F380709	Solenoid Valve	240 Volt
14	F430956	Screw	
15	F430264	Nut	Tinnerman
16	F422318	Elbow	
17	F421929	Hose Barb	
18	36801	Clamp	#6

Supply Dispenser

With Mueller Valve



PHM2099P

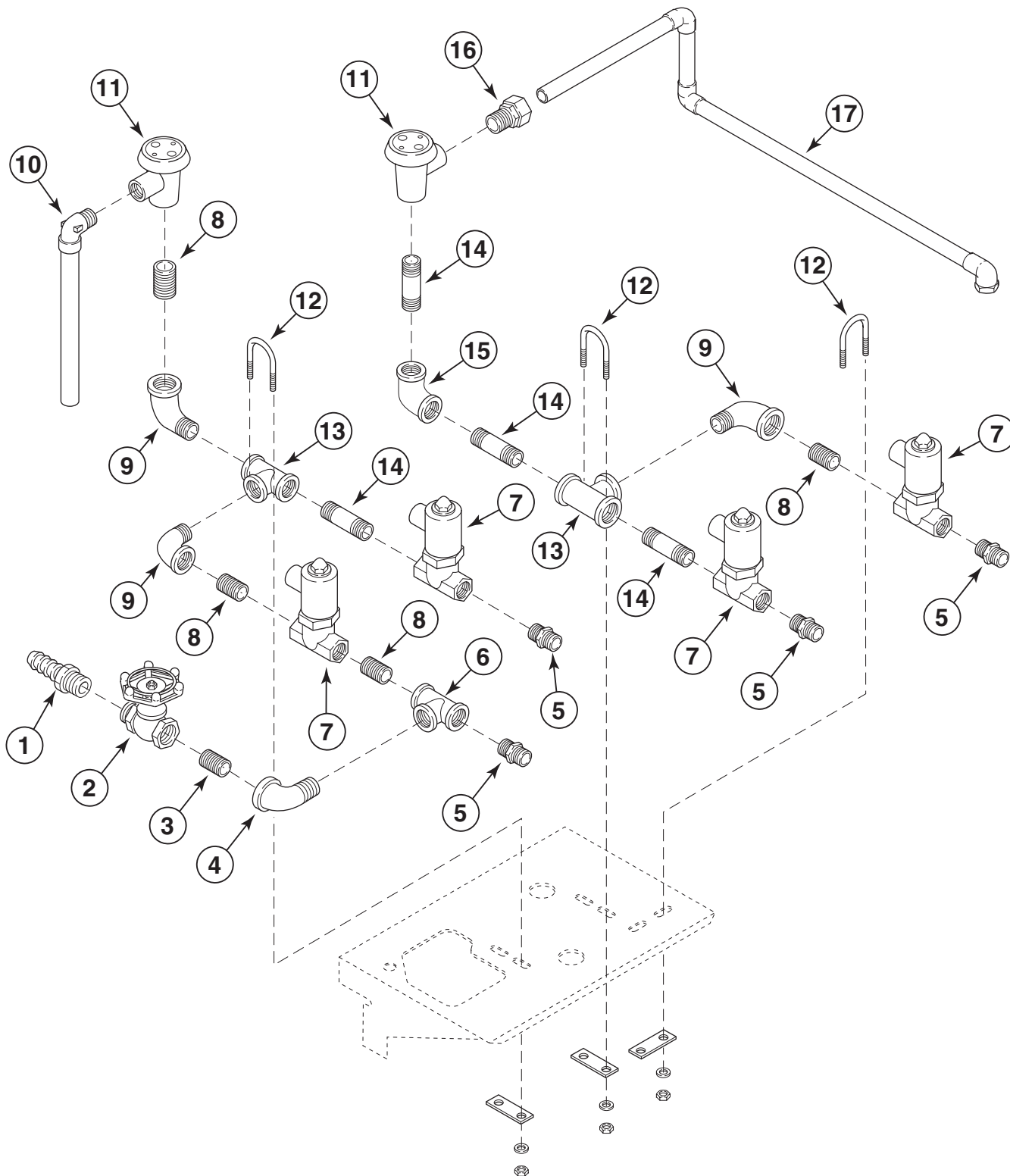
Supply Dispenser

With Mueller Valve

REF	PART #	DESCRIPTION	COMMENTS
1	36801	Hose Clamp	#6
2	F422808	Plastic "Y"	
3	F200107	Hose	Order 10 feet
4	F380715	4-Way Valve	
	F380938	Valve Repair Kit	Elbi
5	F603413	Soap Supply Cup	
6	F170603	Rubber Grommet	
7	F730168	Soap Injection Nozzle Kit	
8	F430224	Nut	
9	F730087	Post and Screw Kit	
10	F601792	Soap Dispenser Link Arm	
11	F431123	Washer	
12	F431202	Cotter Pin	

Spray and Fill Plumbing Assembly

3/4 Inch Valves; Hays



P115PE3A

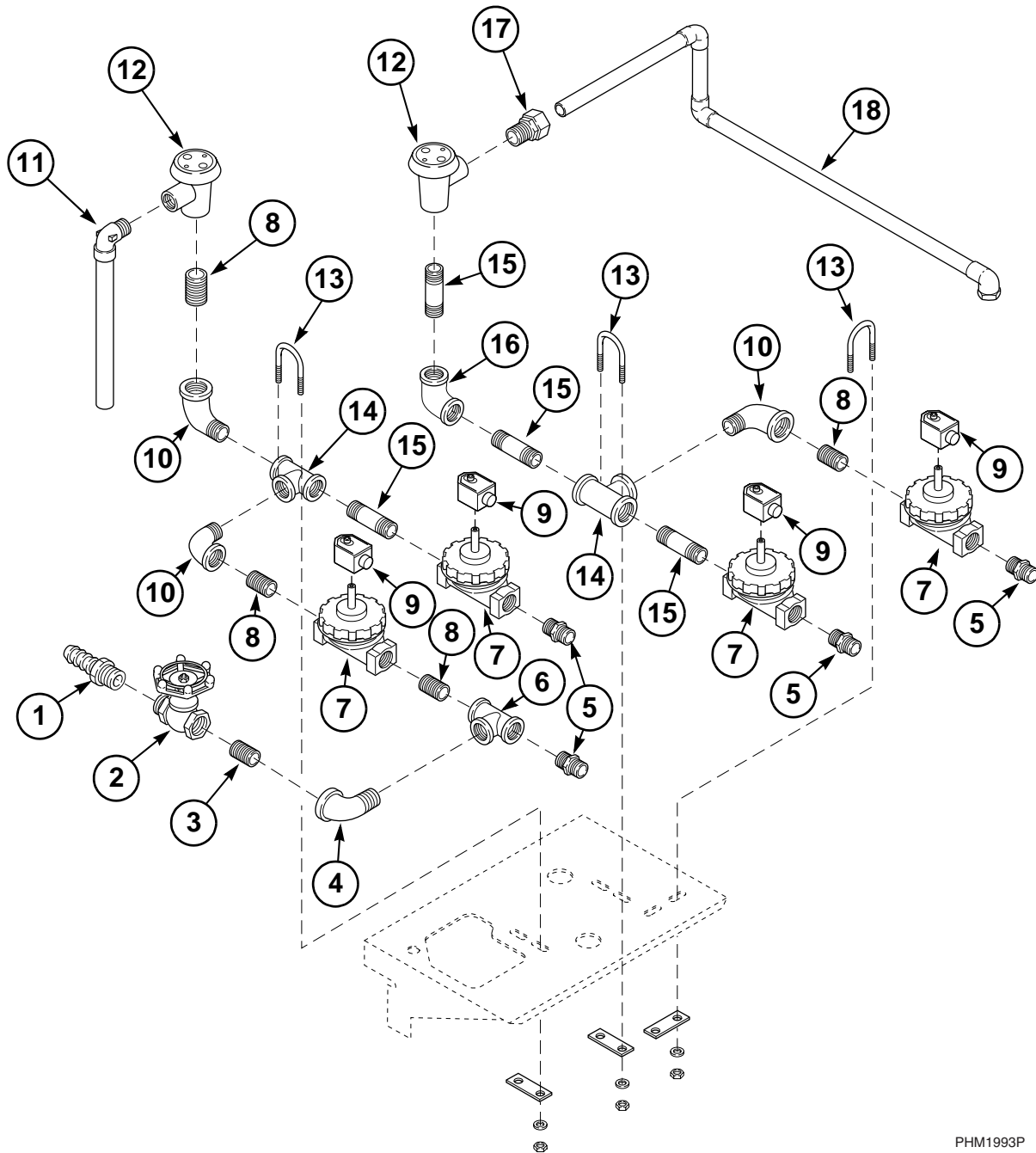
Spray and Fill Plumbing Assembly

3/4 Inch Valves; Hays

REF	PART #	DESCRIPTION	COMMENTS
1	F421930	Hose Barb	
2	F380500	Gate Valve	1/2 inch
3	F420101	Nipple	
4	F420500	Elbow	
5	F421909	Hose Adapter	
6	F420402	Tee	
7	F380702	Valve	120 Volt
	F380703	Valve	240 Volt
	F380915	Repair Kit	
8	F420105	Nipple	
9	F420502	Elbow	
10	F610260	Top Fill Assembly	
11	F380800	Vacuum Breaker Valve	
	F380965	Repair Kit	
12	F200402	U-Bolt Clamp	Includes hardware
13	F420403	Tee	
14	F420107	Nipple	
15	F420503	Elbow	
16	F422106	Tube Connector	
17	F610363	Spray Rinse Tube Assembly	

Spray and Fill Plumbing Assembly

3/4 Inch Valves; Parker



PHM1993P

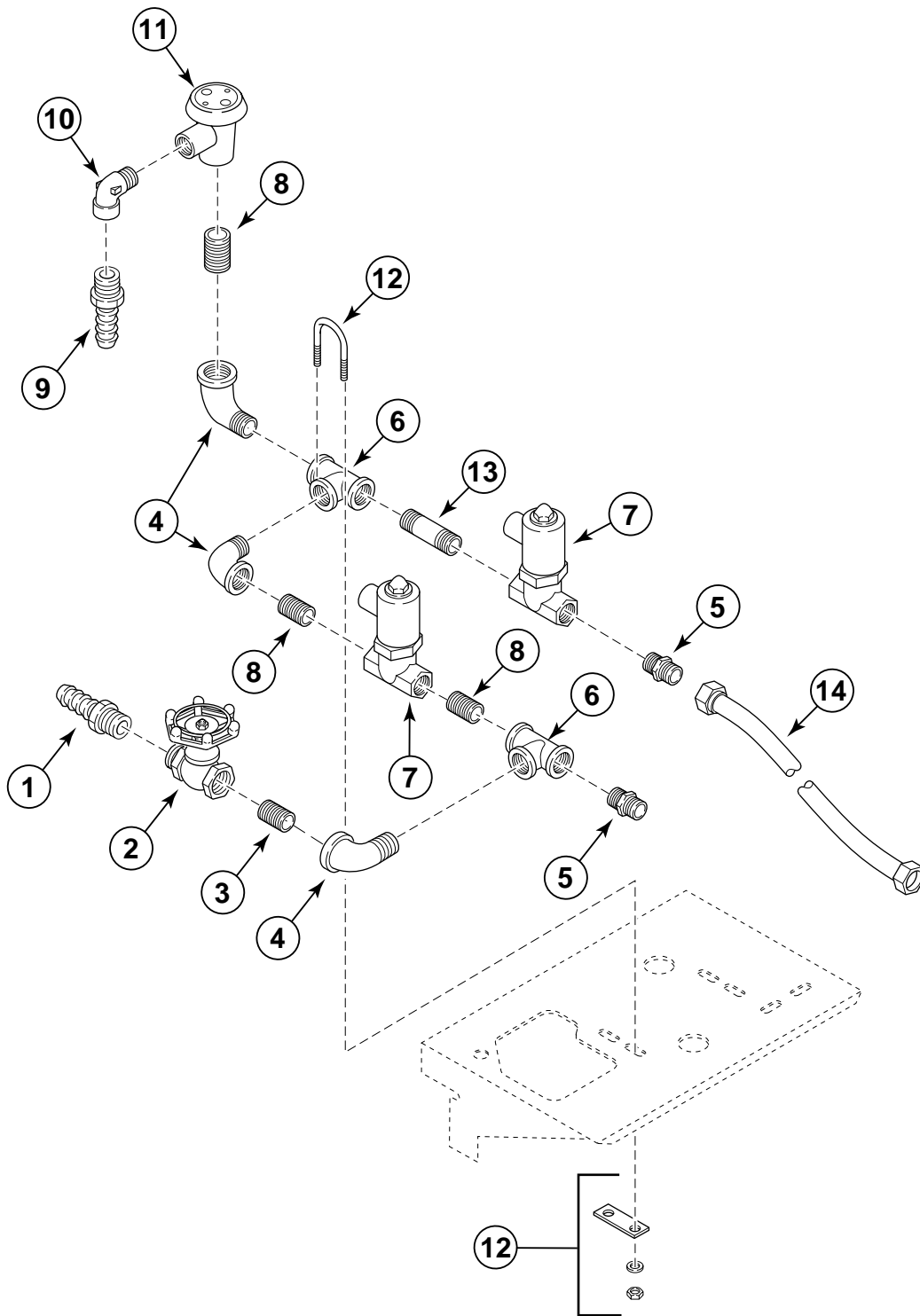
Spray and Fill Plumbing Assembly

3/4 Inch Valves; Parker

REF	PART #	DESCRIPTION	COMMENTS
1	F421930	Hose Barb	
2	F380500	Gate Valve	1/2 inch
3	F420101	Nipple	
4	F420500	Elbow	
5	F421909	Hose Adapter	
6	F420402	Tee	
7	F381700	Valve	120 Volt; Repair kit F380991
	F381701	Valve	220 Volt; Repair kit F380991
8	F420105	Nipple	
9	F380986	DIN Coil	120 Volt
	F380987	DIN Coil	220 Volt
10	F420502	Elbow	
11	F610260	Top Fill Assembly	
12	F380800	Vacuum Breaker Valve	
	F380965	Repair Kit	
13	F200402	U-Bolt Clamp	Includes hardware
14	F420403	Tee	
15	F420107	Nipple	
16	F420503	Elbow	
17	F422106	Tube Connector	
18	F610363	Spray Rinse Tube Assembly	

Spray and Fill Plumbing Assembly

1-1/4 Inch Valves; Hays



P119PE3B

Spray and Fill Plumbing Assembly

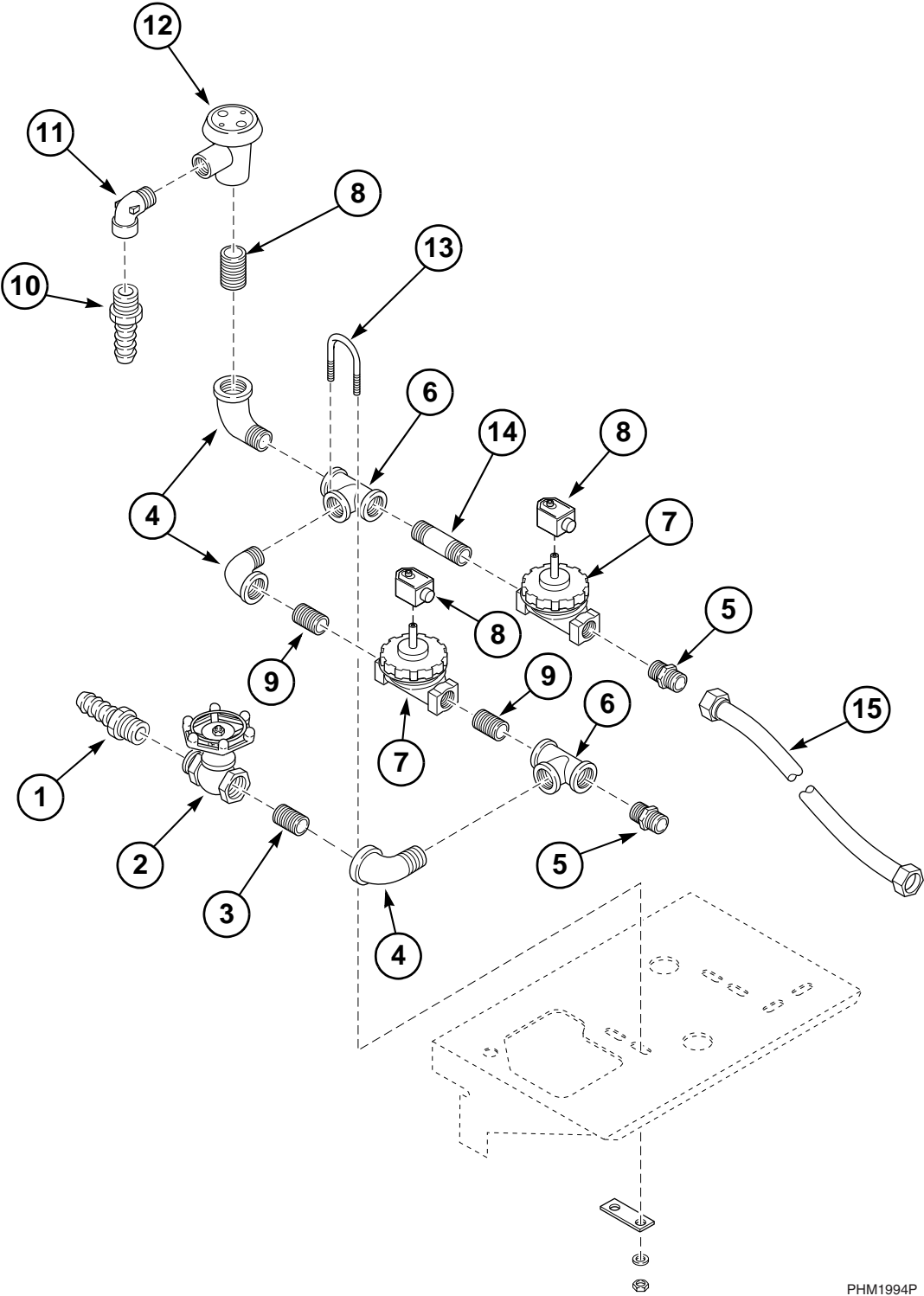
1-1/4 Inch Valves; Hays

REF	PART #	DESCRIPTION	COMMENTS
1	F421930	Hose Barb	
2	F380500	Gate Valve	1/2 inch
3	F420101	Nipple	
4	F420500	Elbow	
5	F421948	Nipple	
6	F420410	Tee	
7	F380724	Valve	120 volt
	F380737	Valve	220 Volt
	F380947	Repair Kit	Piston (F380948) is not included with the repair kit
8		Nipple	NLA
9		Hose Barb	NLA
10		Elbow	NLA
11	F380802	Antisiphon Valve	
	F380966	Repair Kit	
12		U-Bolt Clamp	Includes hardware; NLA
13	F420138	Nipple	
14	F200187	Hose	

NLA = No Longer Available

Spray and Fill Plumbing Assembly

1-1/4 Inch Valves; Parker



PHM1994P

Spray and Fill Plumbing Assembly

1-1/4 Inch Valves; Parker

REF	PART #	DESCRIPTION	COMMENTS
1	F421930	Hose Barb	
2	F380500	Gate Valve	1/2 inch
3	F420101	Nipple	
4	F420500	Elbow	
5	F421948	Nipple	
6	F420410	Tee	
7	F381727	Valve	120 volt
	F381733	Valve	220 Volt
8	F380986	DIN Coil	120 Volt
	F380987	DIN Coil	220 Volt
9		Nipple	NLA
10		Hose Barb	NLA
11		Elbow	NLA
12	F380802	Antisiphon Valve	
	F380966	Repair Kit	
13		U-Bolt Clamp	Includes hardware; NLA
14	F420138	Nipple	
15	F200187	Hose	

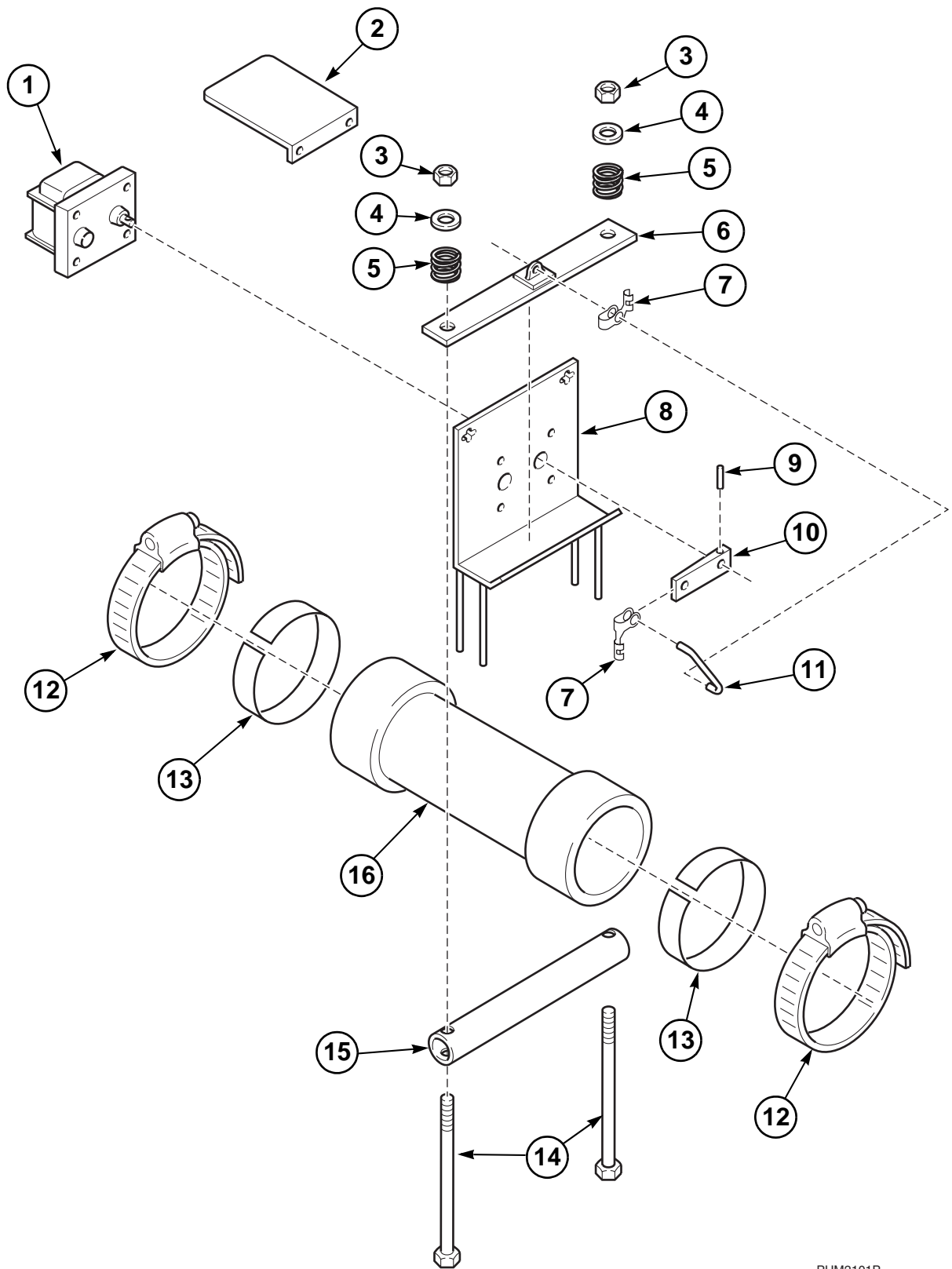
NLA = No Longer Available

Drain Valve and Plumbing

With Ball Drain Valve

REF	PART #	DESCRIPTION	COMMENTS
1	F422900	Elbow	
2	F610543	Pipe	
3	F610152	Pipe	
4	F200213	Clamp	#40
5	F200105	Hose	Order 3 feet
6	F420112	Nipple	
7	F420405	Tee	
8	F420115	Nipple	
9	F420505	Elbow	
10	F420301	Coupling	
11	F380628	Drain Valve	120 Volt; With overflow
	F380600	Drain Valve	120 Volt; Without overflow
	F380629	Drain Valve	220 Volt; With overflow
12	F380918	Main Drive Kit	
13	F380932	Drain Valve Motor	120 Volt
	F380933	Drain Valve Motor	220 Volt
14	F150352	Overflow Plug	
15	F200215	Clamp	#28
16	F610033	Pipe	
17	F422801	Tee	

Drain Valve



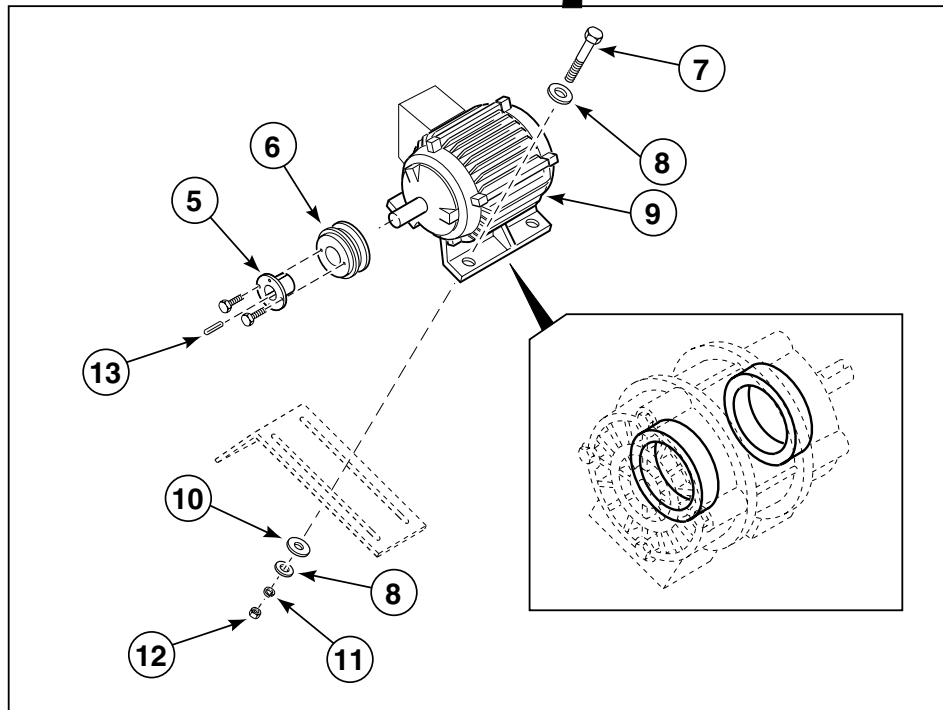
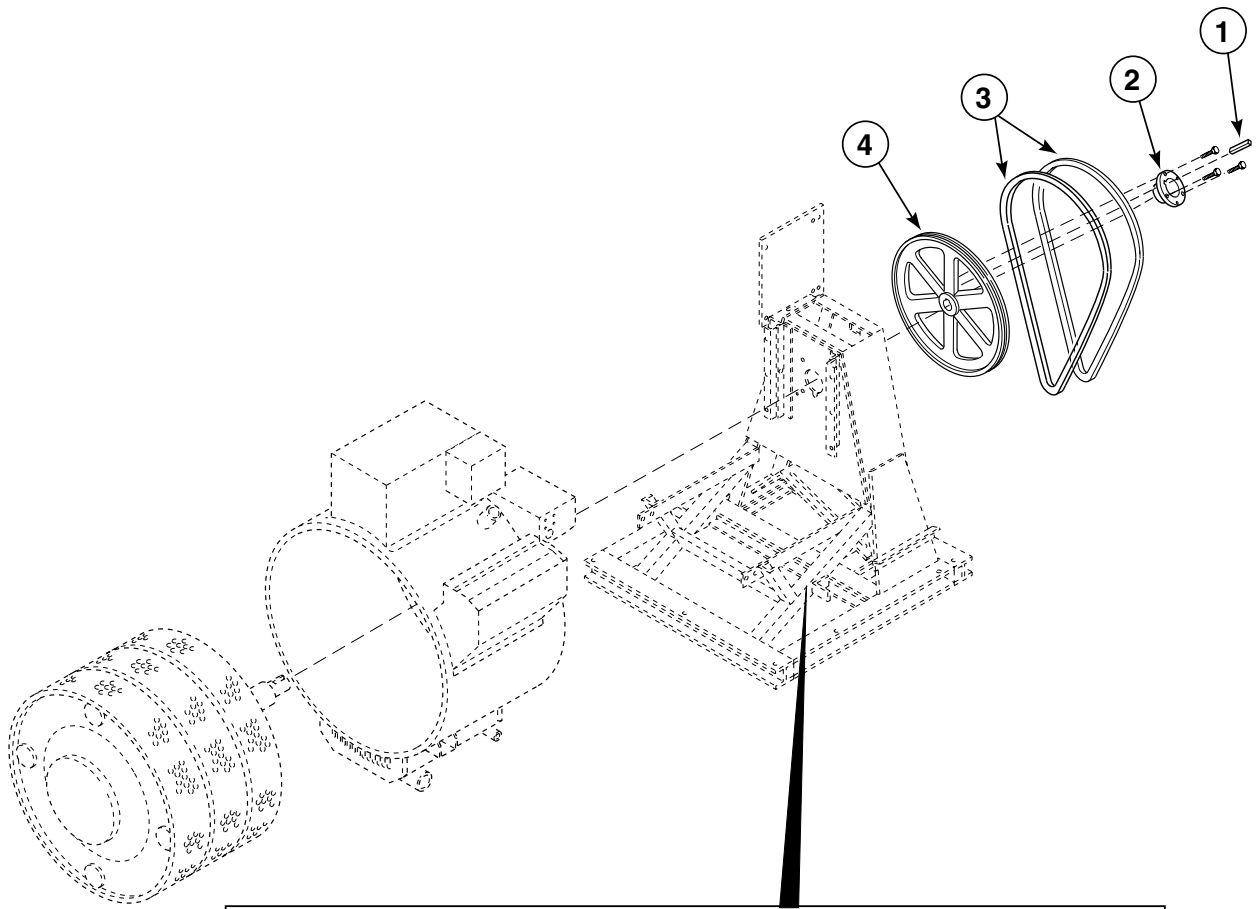
PHM2101P

Drain Valve

REF	PART #	DESCRIPTION	COMMENTS
	F0798776-00	Drain Conversion Kit	120 Volt; Convert to ball drain valve; Includes overflow plug, rear drain hose, clamp (#56), clamp (#28), drain valve and installation instructions
	F0798775-00	Drain Conversion Kit	220 Volt; Convert to ball drain valve; Includes overflow plug, rear drain hose, clamp (#56), clamp (#28), drain valve and installation instructions
1	F380932	Drain Valve Motor	120 Volt
	F380933	Drain Valve Motor	220 Volt
2	F602372	Drain Valve Motor Cover	
3	F430215	Locknut	
4	F430317	Washer	
5	F310101	Spring	
6	F603441	Drain Valve Lift Bar Assembly	NLA; Must install drain conversion kit
7	F431205	Clip	
8	F602101	Drain Lift Tube	
9	F431219	Roll Pin	
10	F602222	Drain Valve Arm	
11	F602274	Drain Valve Linkage	
12	F200201	Clamp	#56
13	F601244	Chafe Strip	
14	F430101	Screw	
15	F602101	Drain Lift Tube	
16	F200126	Hose	

NLA = No Longer Available

Motor

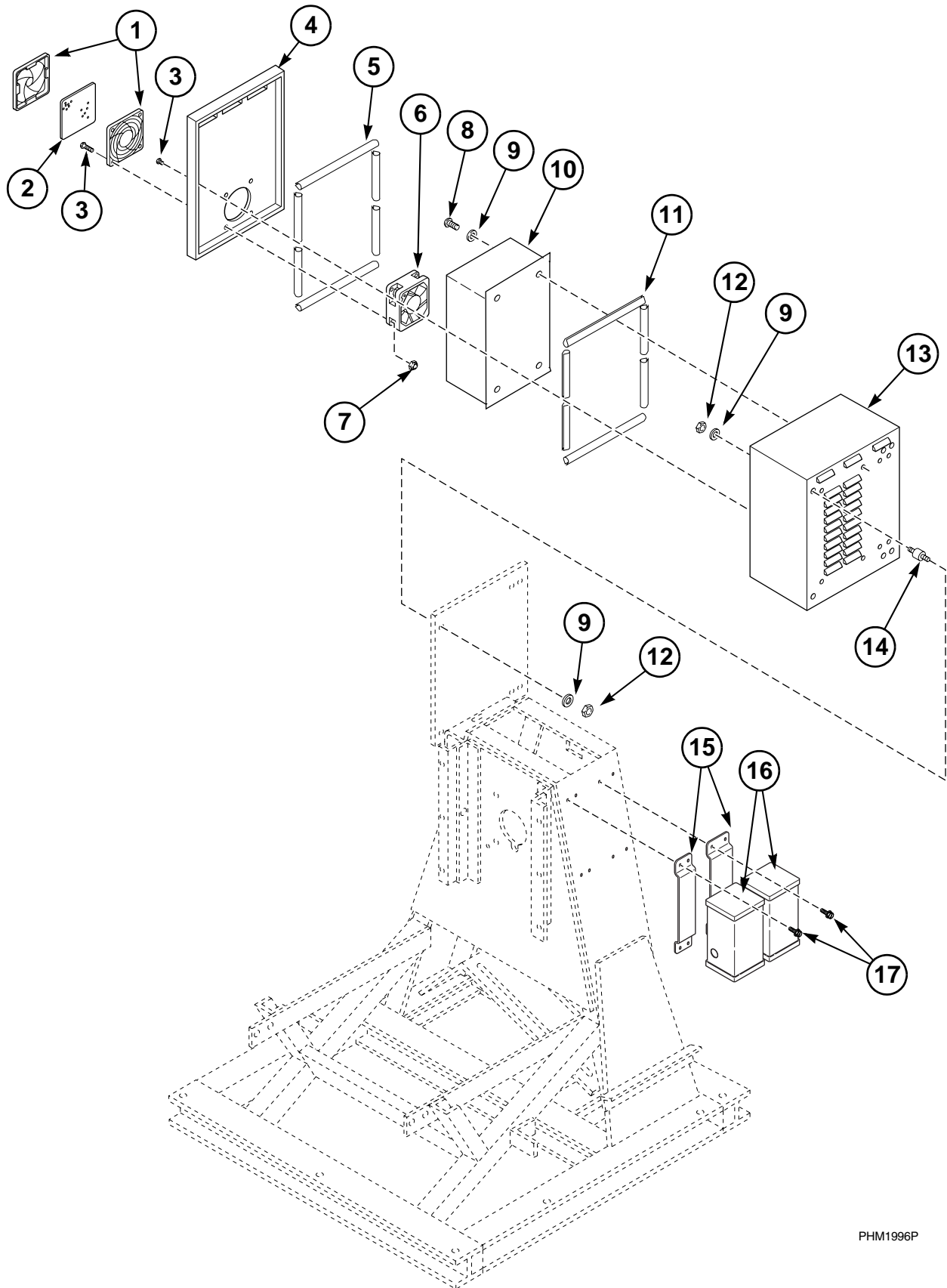


P095PE3B

Motor

REF	PART #	DESCRIPTION	COMMENTS
	F220897	Motor Bearing	6208-2Z; For U.S. motors
	F100108	Motor Bearing	6206-2RS; For U.S. motors
1	F602257	Key	
2	F280294	Bushing	U.S.; Includes screws and item 1; 2-7/16
3	F280355	Belt	BX108
4	F280412	Pulley	Basket; 2B305F
5	F280242	Bushing	Includes screws and item 13; Motor; H - 1-3/8
6	F280181	Pulley	Motor; 2BK34H
7	F430993	Screw	
8	F430301	Washer	
9	F220218U	Motor	195/390 Volt; 10 horsepower; U.S.
	F220218P	Motor	195/390 Volt; 10 horsepower; U.S. premium
	F220437	Motor	195/390 Volt; 10 horsepower; Magnetek
10	F430300	Washer	
11	F430305	Lockwasher	
12	F430205	Nut	
13	F430817	Key	

AC Drive

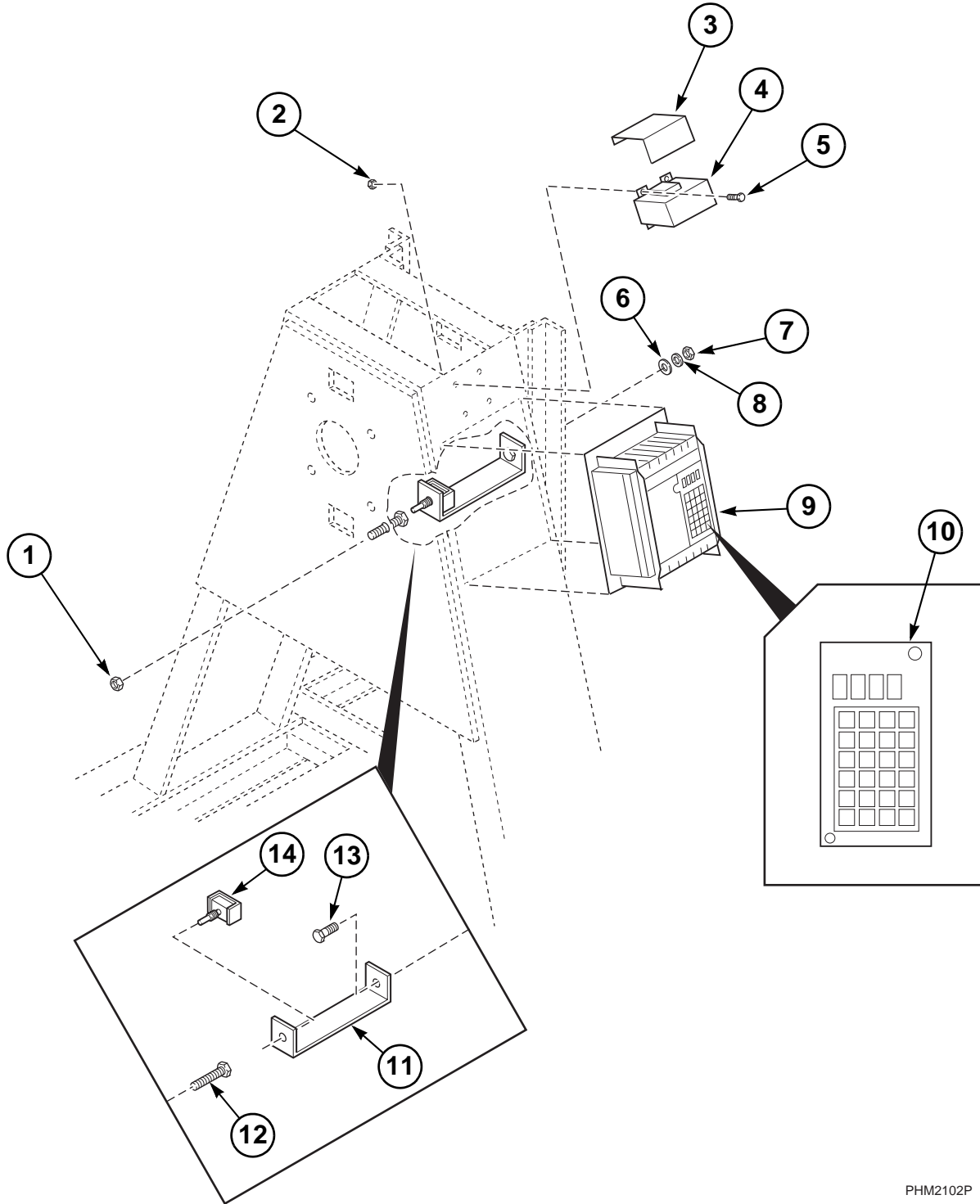


PHM1996P

AC Drive

REF	PART #	DESCRIPTION	COMMENTS
1	F220900	Filter Retainer Guard	
2	F0270321-00	Filter	
3	F430916	Screw	
4	F633807	AC Drive Box Cover	
5	F170158	Gasket	Order 2 feet
6	F110106	Muffin Fan	120 Volt
	F110105	Muffin Fan	240 Volt
7	F430231	Locknut	
8	F430925	Screw	
9	F431100	Lockwasher	
10	F370837	Inverter Drive	200 Volt
	F370834	Inverter Drive	460 Volt
11	F170402	Gasket	Order 2 feet
12	F430215	Locknut	
13	F634035	AC Drive Box Assembly	Includes items 1-14
14	F432219	Mount	
15	F631223	Transformer Mounting Plate	
16	F743703-2	Transformer	Buck boost; N-voltage models only
17	F430107	Screw	

Balance Switch and Control Transformer

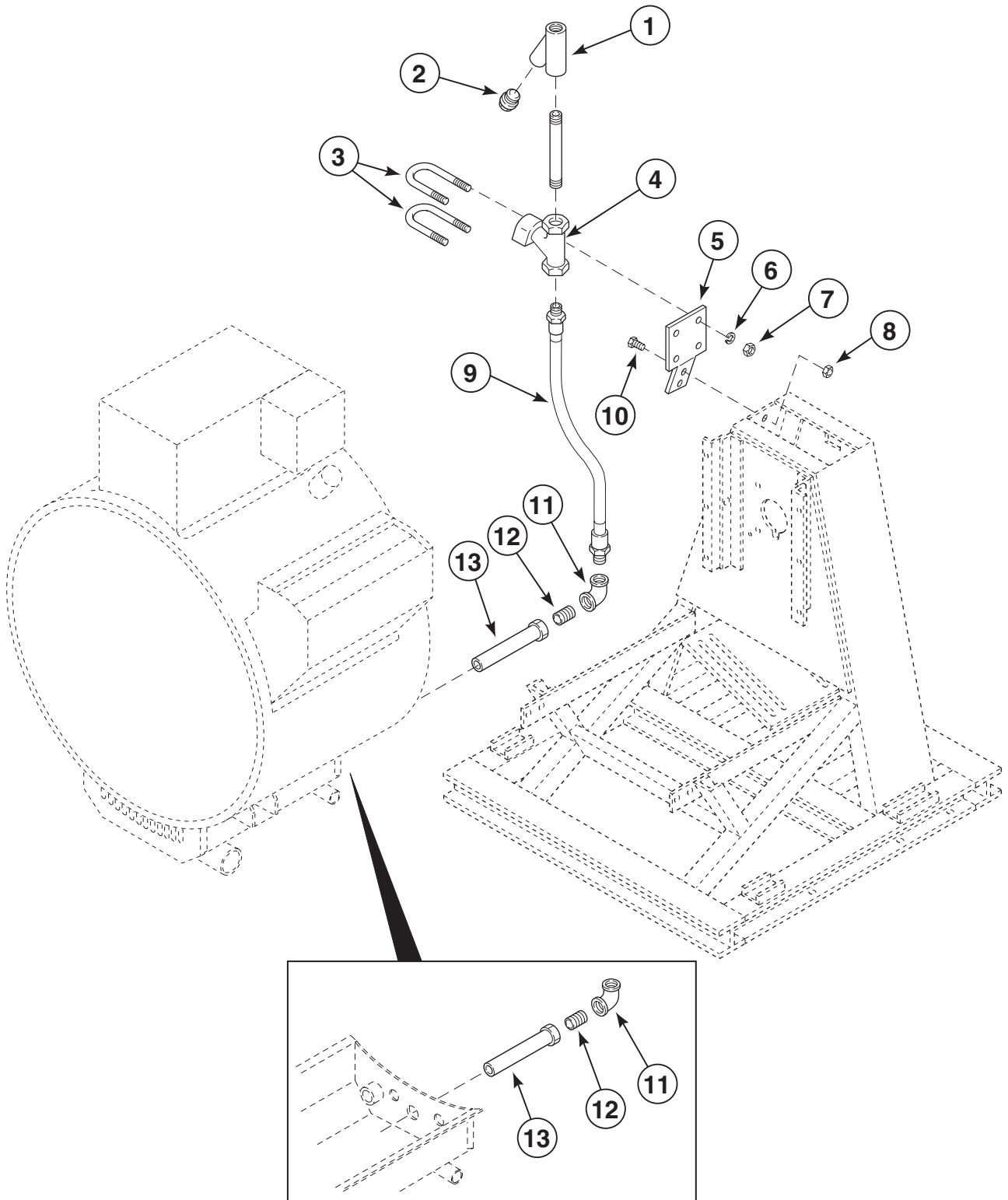


PHM2102P

Balance Switch and Control Transformer

REF	PART #	DESCRIPTION	COMMENTS
1	F430206	Nut	
2	F430215	Locknut	
3	F140425	Transformer Cover	
4	F360125	Transformer	
5	F430107	Screw	
6	F430301	Washer	
7	F430205	Nut	
8	F430305	Lockwasher	
9	F744064	Retro Kit	P and N Voltage models; Z to AB Drive
	F744063	Retro Kit	P and N Voltage models; A to AB Drive
	F744062	Retro Kit	Q Voltage models; Z to AB Drive
	F744065	Retro Kit	Q Voltage models; A to AB Drive
10	F370594	Parameter Unit	A Drive
	F370597	Parameter Unit	AB Drive
11	F601750	Balance Switch Bracket	
12	F430124	Screw	
13	F430109	Screw	
14	F340906	Microswitch	

Steam Heat Option



P083PE3C

Steam Heat Option

REF	PART #	DESCRIPTION	COMMENTS
	F730064	Steam Kit	120 Volt
1	F270307	Steam Filter	1/2 inch
2	F420409	Plug	
3	F200401	U-Bolt Clamp	Includes items 5 and 6
4	F380786	Steam Valve	120 Volt; 1/2 inch; Parker
	F380986	DIN Coil	120 Volt
	F380787	Steam Valve	240 Volt; 1/2 inch; Parker
	F380987	DIN Coil	240 Volt
	F380984	Steam Valve Repair Kit	
5	F607268	Bracket	
6	F430322	Lockwasher	
7	F430211	Nut	
8	F430215	Locknut	
9	F200153	Steam Hose	
10	F430913	Screw	
11	F420500	Elbow	
12	F421400	Bushing	
13	F603132	Steam Injection Tube Assembly	

Parts Index

A

AC Drive Box Assembly	
F634035	49
AC Drive Box Cover	
F633807	49
Antisiphon Valve	
F380802	39, 41

B

Balance Switch Bracket	
F601750	51
Basket Assembly	
F603686-1	27
Belt	
F280355	47
Bracket	
F607268	53
Bracket Casting	
F150200	21
Bushing	
F140909	9
F280242	47
F280294	47
F421400	53
Buzzer	
F300202	7, 11
F300203	7, 11

C

Cage Wrap Assembly	
F603704	15
F633783	13
Cap	
F190300	21
Chafe Strip	
F601244	45
Chemical Supply Hose	
F150471	29
Circuit Breaker	
F350211	9, 11
Clamp	
F200201	45
F200213	43
F200215	43
36801	31
Clip	
F431205	45
Connector	
F140309	9, 11
F140311	9, 11
F200302	9
F422500	7, 11
Contact Block Switch	
F340445	7, 11
Contact	
F330187	7, 11
F330188	7, 11

Control Module Decal	
F231562	11
Cotter Pin	
F431201	21
F431202	31, 33
Coupling	
F420301	43
F422109	19

D

Decal	
F230206	5
F230301	5
F230302	5
F230606	5
F230622	9
F230652	5
F230677	9, 11
F230678	9, 11
F231020	29
F231065	5
F231083	7, 11
F231367	5
F231368	5
F231380	5
F231436	5
F231562	7
Diaphragm and Guide Kit	
G581P3	9
DIN Coil	
F380986	37, 41, 53
F380987	37, 41, 53
Dispenser Lid	
F150384	29
Dispenser Lid Gasket	
F170158	29
Dispenser Shroud Weldment	
F633032-2	29
Door Box	
F601706	17, 21, 23
F601707	17, 21, 23
F634415	25
Door Box Assembly	
F634822	19, 25
Door Box Mounting Bracket	
F601129	17, 19
Door Bumper Bushing	
F430416	17, 19
Door Bumper Moulding	
F150366	17, 19
Door Butt	
F150233	17, 19
Door Cam Adjusting Nut	
F604730	17
Door Cam Adjusting Rod	
F603105	17
Door Gasket	
F170162	17, 19
Door Glass Gasket	
F170115	17, 19
Door Handle	
F634416	19

Door Handle Casting	
F150203.....	17, 19
Door Hinge	
F150228.....	17, 19
Door Hinge Pin	
F432307.....	17, 19
Door Hinge Switch	
F340901.....	21, 23
Door Interlock Switch	
F340900.....	21, 23
Door Latch Bracket Shim	
F602058.....	17, 19
Door Lock Collar	
F150288.....	21
Door Lock Pivot Plate	
F608803.....	17, 19
Door Lock Plunger	
F601081.....	21
Door Lock Solenoid	
F300118.....	23, 25
Door Retainer Spinning	
F320102.....	17, 19
Door Solenoid	
F300101.....	21
Drain Lift Tube	
F602101.....	45
Drain Valve	
F380600.....	43
F380629.....	43
Drain Valve Arm	
F602222.....	45
Drain Valve Lift Bar Assembly	
F603441.....	45
Drain Valve Linkage Arm	
F602274.....	45
Drain Valve Motor	
F380932.....	43, 45
F380933.....	43, 45
Drain Valve Motor Cover	
F602372.....	45
Dual Fuseholder	
F0350312-10.....	9

E

Elbow	
F420500.....	35, 37, 39, 41, 53
F420502.....	35, 37
F420503.....	35, 37
F420505.....	43
F422310.....	31
F422318.....	31
F422319.....	17, 19
F422900.....	43
Emergency Stop Pushbutton	
F340718.....	7, 11
Extension Arm	
F610220.....	17, 19
F610221.....	17, 19

F

Feedthru Connector	
F140575.....	9, 11
F140576.....	9, 11
Filter	
F0270321-00.....	49
Filter Retainer Guard	
F220900.....	49
4-Way Valve	
F380715.....	9, 33
F381723.....	9
F381724.....	9
Frame Assembly	
F601754-1.....	27
Frame Weldment	
F634021.....	27
Front Panel	
F601837.....	15
F631560.....	13
Fuse	
F350108.....	7, 11
F350109.....	7, 11
F350110.....	7, 11
F350115.....	9

G

Gasket	
F170120.....	27
F170135.....	21
F170158.....	49
F170402.....	49
Gate Valve	
F380500.....	35, 37, 39, 41
Glass	
F290204.....	17, 19
Ground Terminal Lug	
F140734.....	9, 11

H

Hose	
F200105.....	43
F200107.....	31, 33
F200126.....	45
F200187.....	39, 41
F610068.....	17, 19
Hose Adapter	
F421909.....	35, 37
Hose Barb	
F421929.....	31
F421930.....	35, 37, 39, 41
F421934.....	31
Hose Clamp	
F200213.....	29
36801.....	33

I

Injection Nozzle	
F380300	29
Injection Nozzle Kit	
F730168	29
Input Power Block	
F140747	9, 11
Interface CCA	
F370446	7, 11
Inverter Drive	
F370834	49
F370837	49

K

Key	
F370709	9, 11
F430817	47
F602257	47
Keymode Switch	
F340800	9, 11
Keypad Decal	
F230724	7, 11

L

Light	
F350412	9, 11
F350414	9, 11
Locknut	
F430215	17, 45, 49, 51, 53
F430231	11, 19, 25, 49
Lockwasher	
F430305	47, 51
F430322	53
F431100	13, 15, 17, 19, 29, 49
F431106	9
Lower Door Latch Bracket Casting	
F150202	17, 19
Lower Door Latch Casting	
F150204	17, 19

M

Magnet	
F340703	19
Magnetic Position Switch	
F340702	25
Main Drive Kit	
F380918	43
Microswitch	
F340906	25, 51
Momentary Switch	
F340412	11
Motor	
F220218P	47
F220218U	47
F220437	47
Motor Bearing	
F100108	47
F220897	47

Mount	
F432219	49
Muffin Fan	
F110105	49
F110106	49

N

Nipple	
F420101	35, 37, 39, 41
F420105	35, 37
F420107	35, 37
F420112	43
F420115	43
F420138	39, 41
F421948	39, 41
No Swivel Coupling	
F422109	17
Nut	
F430205	17, 19, 47, 51
F430206	51
F430211	13, 15, 21, 53
F430215	27
F430224	29, 33
F430264	13, 31
F431000	9
F431005	17, 19, 29
F431022	9, 17, 19
F431026	17, 19

O

O-Ring	
F170200	17, 19
F170208	29
Output CCA	
F0370443-10	7, 11
Overflow Plug	
F150352	43

P

Parameter Unit	
F370594	51
F370597	51
Pipe	
F610033	43
F610152	43
F610543	43
Plastic "Y"	
F422808	33
Plate	
F230218	5
Plug	
F140527	9, 11
F170165	29
F420409	53
Plug Cap	
F190304	29
Post and Screw Kit	
F730087	31, 33
Pulley	
F280181	47
F280412	47

R

RC Network Filter	
F330217	7, 11, 21, 23, 25
Rear Panel	
F631559	15
F633777	13
Repair Kit	
F380915	35
F380947	39
F380965	35, 37
F380966	39, 41
Retaining Ring	
F310215	17, 19
Retro Kit	
F744062	51
F744063	51
F744064	51
F744065	51
Ring Retainer	
F310206	17, 19
Roll Pin	
F431219	45
Rub Rail	
F601839	13, 15
Rubber Grommet	
F170603	31, 33

S

Screw	
F430101	45
F430103	17, 19
F430107	49, 51
F430109	51
F430124	51
F430168	17, 19
F430502	21
F430518	27
F430904	17, 19
F430910	9
F430913	53
F430916	9, 19, 49
F430917	7, 11, 17, 19, 21
F430921	13
F430925	21, 49
F430927	17, 19
F430928	7, 9, 11, 25
F430956	13, 15, 29, 31
F430993	47
F430995	9, 11, 23, 25
v	11
Shell Band Assembly	
F603630	27
Shell Band Fastener Kit	
F791001	27
Shell Front Weldment	
F608747	27
F634677	27
Shell Kit	
F741020-10	27
Shell Weldment	
F634440	27
Shim	
F601948	17, 19

Side Panel	
F601838	15
F602919	15
F631553	13
Soap Dispenser Assembly	
F150500	29
Soap Dispenser Link Arm	
F601792	31, 33
Soap Dispenser Manifold Assembly	
F603084	31
Soap Dispenser Shelf	
F601795	31
Soap Injection Nozzle Kit	
F730168	33
Soap Supply Cup	
F603413	33
Solenoid Valve	
F380708	31
F380709	31
Spray Rinse Bracket Assembly	
F602901	17, 19
Spray Rinse Hose Kit	
F730023	17, 19
Spray Rinse Nozzle Kit	
F730077	17, 19
Spray Rinse Strap	
F602880	17, 19
Spray Rinse Tube Assembly	
F610363	35, 37
Spray Tube Assembly	
F610363	17, 19
Spring	
F310101	45
F310119	21
Steam Filter	
F270307	53
Steam Hose	
F200153	53
Steam Injection Tube Assembly	
F603132	53
Steam Kit	
F730064	53
Steam Valve	
F380786	53
F380787	53
Steam Valve Repair Kit	
F380984	53
Strain Relief Adapter Kit	
F749802	29
Studded Door Assembly	
F634678	19
Studded Door Kit	
F730316	17
Supply Cup	
F150385	29
F150386	29
F603413	31
Supply Valve Manifold Assembly	
F604602	31
Switch	
F340412	7
Switch Extension	
F340913	21, 23
Swivel Coupling	
F422108	17, 19

T

Tag	F230501	5
Tee	F420402	35, 37
	F420403	35, 37
	F420405	43
	F420410	39, 41
	F422801	43
Terminal Block	F140782	9
Terminal Strip	F140738	9, 11
Top Fill Assembly	F610260	35, 37
Top Latch Bracket Casting	F150201	17, 19
Transformer	F360125	51
	F743703-2	49
Transformer Cover	F140425	51
Transformer Mounting Plate	F631223	49
Trim	F170400	13, 15, 29
Tube	F150390	29
Tube Connector	F422106	35, 37
Tubing	F422404	7, 11

U

U-Bolt Clamp	F200401	31, 53
	F200402	35, 37

V

Vacuum Breaker Valve	F380800	35, 37
Valve	F380702	35
	F380703	35
	F380724	39
	F380737	39
	F381700	37
	F381701	37
	F381727	41
	F381733	41
Valve Drain Kit	F380628	43
Valve Repair Kit	F380938	9, 33

W

Washer	F430300	47
	F430301	47, 51
	F430317	17, 27, 45
	F431106	11
	F431118	17, 19
	F431123	31, 33
	F431147	29
Water Level Switch	F0340348-10	7, 11
Water Level Switch Bracket	F630242	7, 11
WE-6 Computer	F370534-10	7, 11