

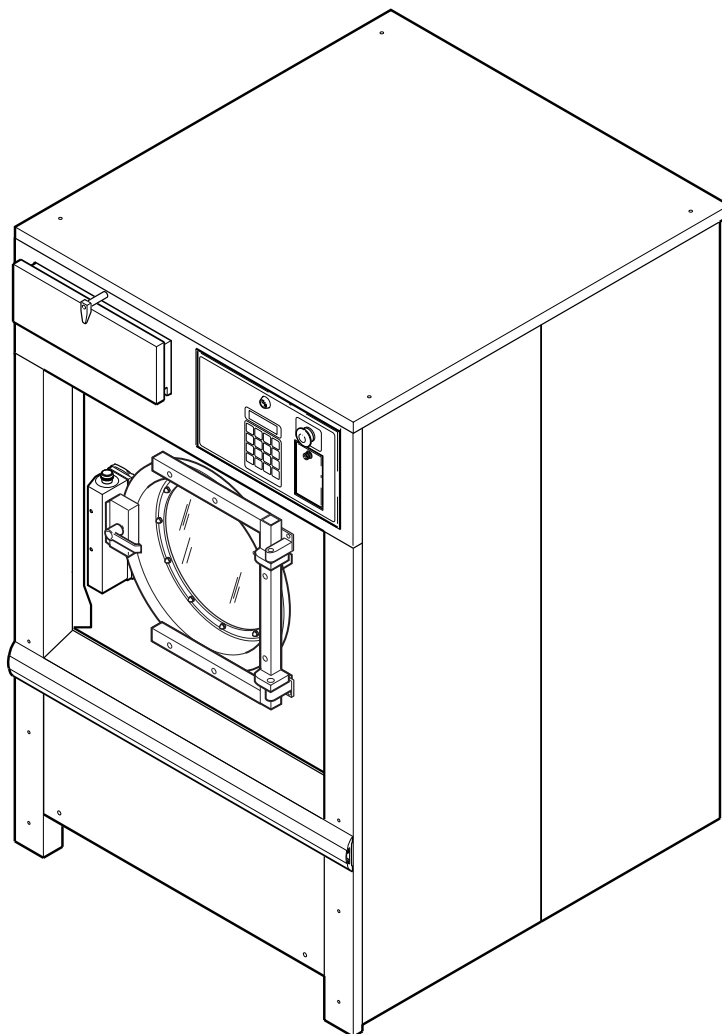
# Washer-Extractor

Cabinet Freestanding

SF35PV    UF35PV

SF50PV    UF50PV

SF85PV    UF85PV



CFS1465C



# Table of Contents

Title	Page
Parts Ordering Information .....	2
Nameplate Location .....	2
Model Identification .....	3
Decals .....	4
Front Panels .....	6
Body Panels.....	8
Basket, Pulley, Belt and Trunnion.....	10
Basket, Pulley, Belt and Trunnion.....	12
Shell and Motor.....	14
Drive Box .....	16
Drive Box .....	18
Drive Box .....	20
Drive Box Cover.....	22
Drive Box Cover.....	24
Supply Dispenser.....	26
Fill and Supply System .....	28
Fill and Supply System .....	30
Hoses and Drain System .....	32
Door Assembly .....	34
Door Assembly .....	36
Door Assembly .....	38
Door Lock .....	40
Control Module Front .....	42
Control Module .....	44
Suspension System .....	46
Suspension System .....	48
Suspension System .....	50
Steam Heat Option .....	52
Electric Heat Option.....	54
Parts Index.....	57

© Copyright 2003, Alliance Laundry Systems LLC

All rights reserved. No part of the contents of this book may be reproduced or transmitted in any form or by any means without the expressed written consent of the publisher.

# Parts Ordering Information

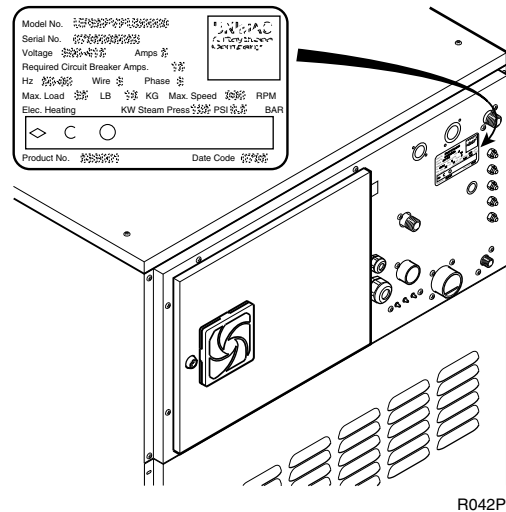
If literature or replacement parts are required, contact the source from whom the machine was purchased or contact Alliance Laundry Systems at (920) 748-3950 for the name of the nearest authorized parts distributor.

For technical assistance, call the following number:

(850) 718-1026  
Marianna, Florida

## Nameplate Location

When calling or writing about your product, be sure to mention model and serial numbers. Model and serial numbers are located on nameplate(s) as shown.



R042P

## Model Identification

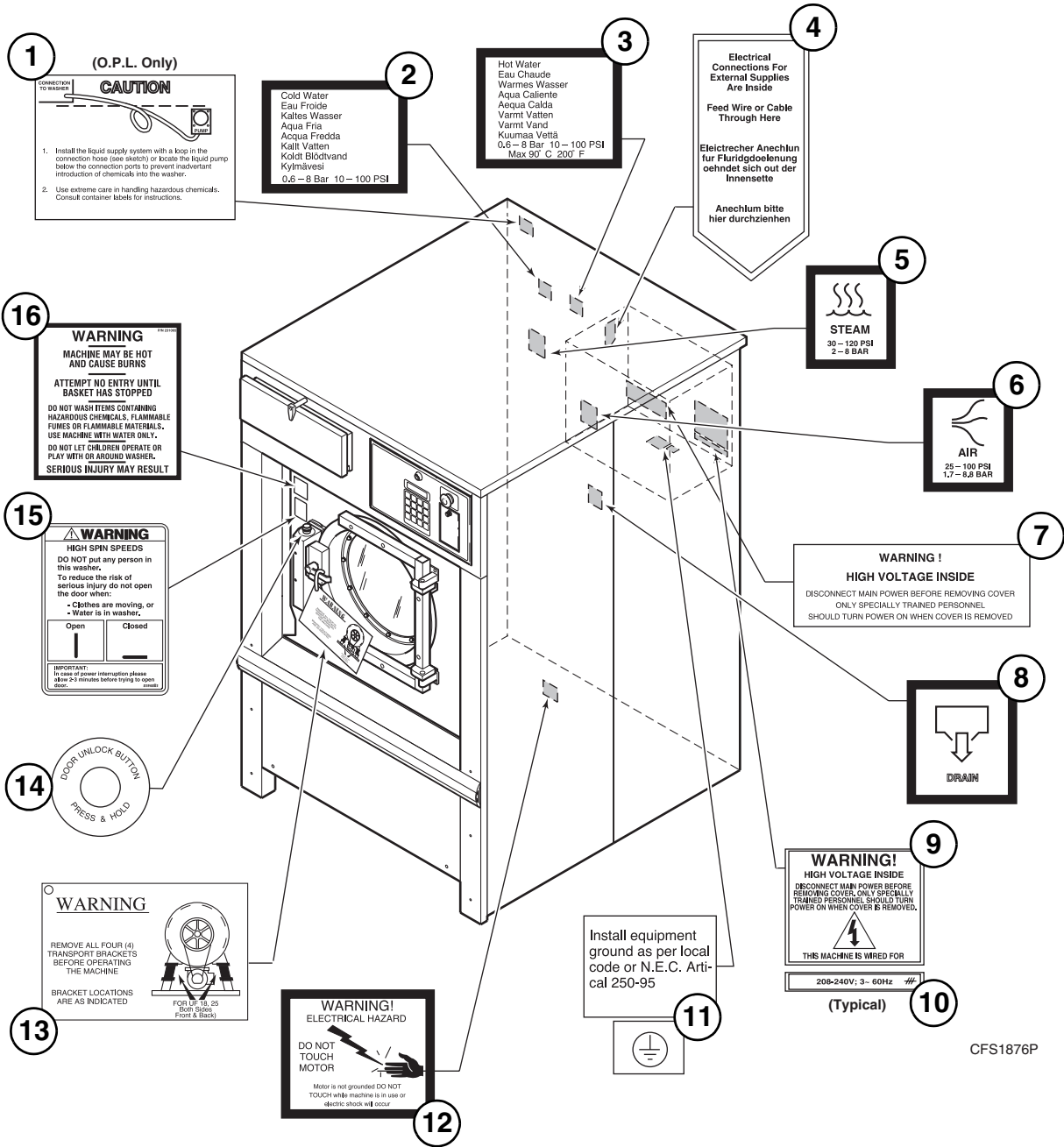
Information in this manual is applicable to these washer-extractors:

SF35PV      UF35PV

SF50PV      UF50PV

SF85PV      UF85PV

# Decals

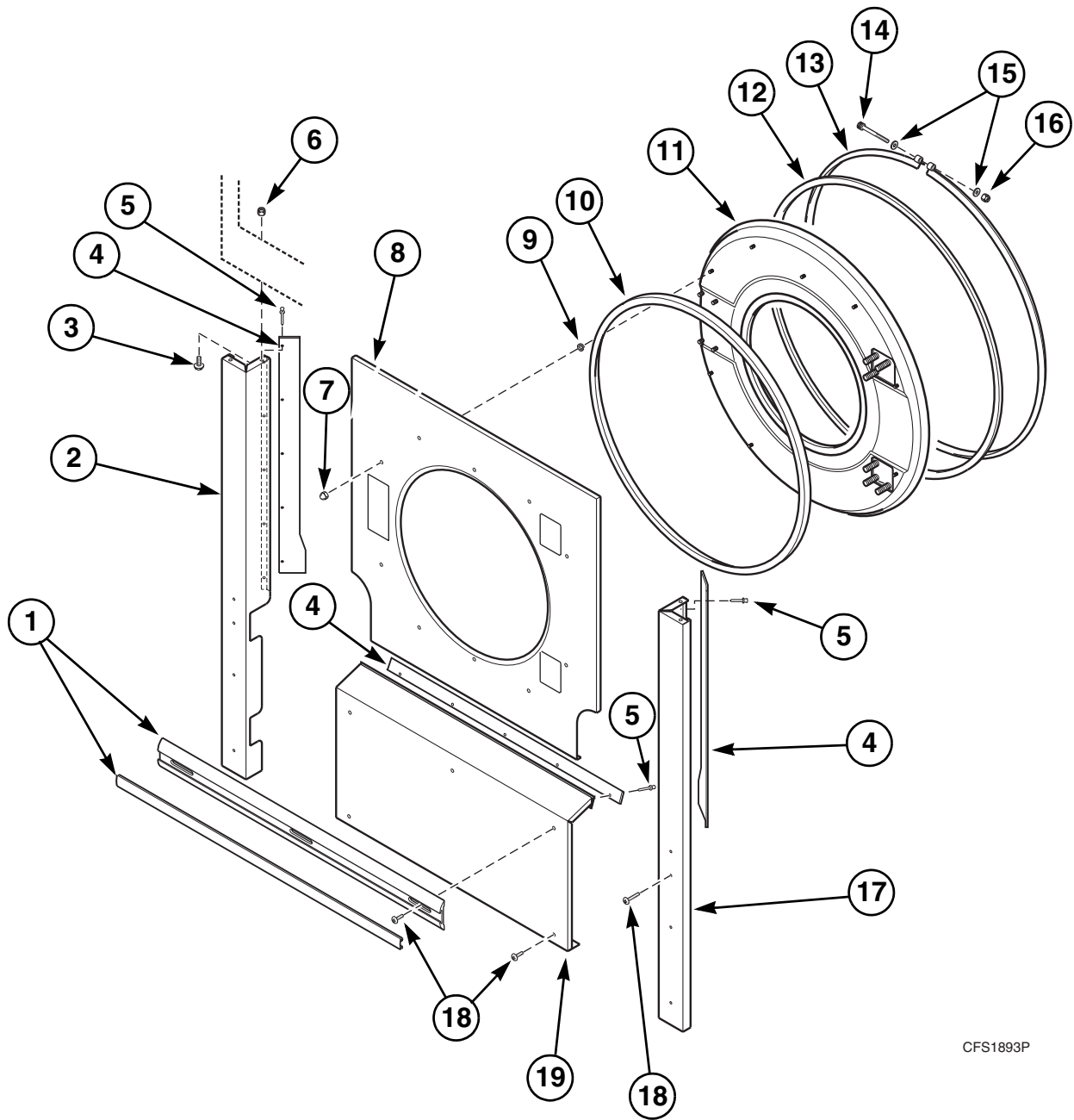


CFS1876P

# Decals

REF	PART #	DESCRIPTION	COMMENTS
1	F230877	Decal	
2	F230857	Decal	
3	F230856	Decal	
4	F230217	Decal	
5	F231147	Decal	
6	F231148	Decal	
7	F230202	Decal	
8	F231150	Decal	
9	F230206	Decal	
10	F230208	Decal	
11	F230630	Decal	
12	F230831	Decal	
13	F230560	Tag	
14	F230816	Decal	
15	81968R1	Label	
16	F231065	Decal	

# Front Panels



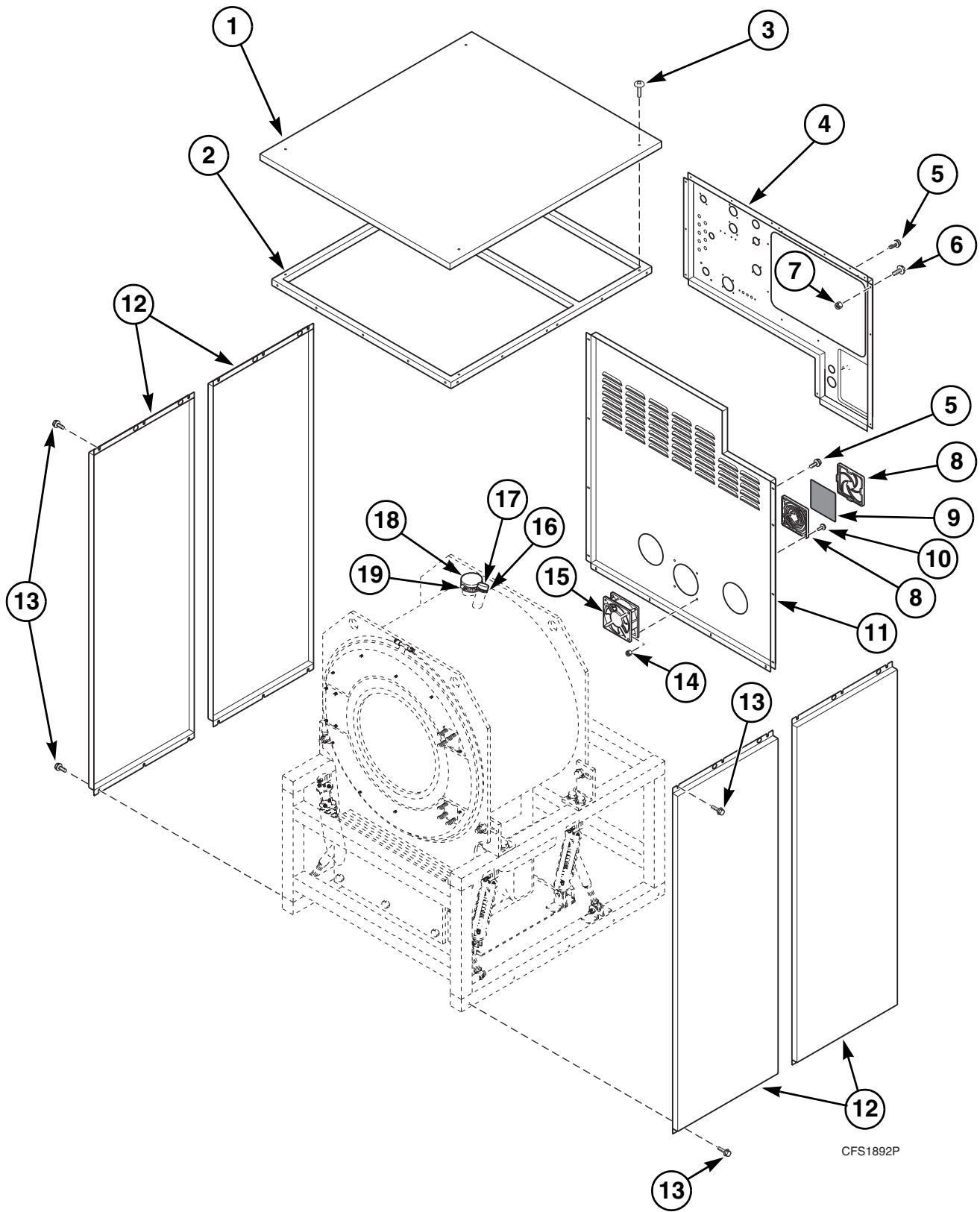
CFS1893P



## Front Panels

REF	PART #	DESCRIPTION	COMMENTS
	F170178	Gasket	Order 7 feet for SF35PV and UF35PV Order 11 feet for SF50PV and UF50PV Order 14 feet for SF85PV and UF85PV
1	F150404	Rub Rail	SF35PV and UF35PV
	F150405	Rub Rail	SF50PV and UF50PV
	F150406	Rub Rail	SF85PV and UF85PV
2	F606731	Front Column	SF35PV and UF35PV; Left
	F606316	Front Column	SF50PV and UF50PV; Left
	F607341	Front Column	SF85PV and UF85PV; Left
3	F430925	Screw	
4	F170407	Flat Plastic	Order 3 feet for SF35PV, UF35PV, SF50PV and UF50PV
	F170406	Flat Plastic	Order 4 feet for SF85PV and UF85PV
5	F432222	Rivet	
6	F430215	Locknut	
7	F431026	Cap Nut	
8	F607036	Shell Front Cover	SF35PV and UF35PV
	F606539	Shell Front Cover	SF50PV and UF50PV
	F607386	Shell Front Cover	SF85PV and UF85PV
9	F431100	Lockwasher	
10	F170128	Sponge Rubber	Order 7 feet for SF35PV and UF35PV; Order 12 feet for SF50PV and UF50PV; Order 14 feet for SF85PV and UF85PV
11	F633684	Shell Front Weldment	SF35PV and UF35PV
	F631651	Shell Front Weldment	SF50PV and UF50PV
	F631650	Shell Front Weldment	SF85PV and UF85PV
12	F170125	Shell Band Seal	Order 8 feet for SF35PV and UF35PV; Order 9 feet for SF50PV and UF50PV
	F170120	Shell Band Gasket	SF85PV and UF85PV; Order 11 feet
13	F603229	Shell Band Assembly	SF35PV and UF35PV
	F603656	Shell Band Assembly	SF50PV and UF50PV
	F603910	Shell Band Assembly	SF85PV and UF85PV; Top
	F603911	Shell Band Assembly	SF85PV and UF85PV; Bottom
14	F430500	Screw	
15	F430347	Washer	
16	F430215	Nut	
17	F606730	Front Column	SF35PV and UF35PV; Right
	F606315	Front Column	SF50PV and UF50PV; Right
	F607342	Front Column	SF85PV and UF85PV; Right
18	F430921	Screw	
19	F606732	Front Cover	SF35PV and UF35PV; Bottom
	F606317	Front Cover	SF50PV and UF50PV; Bottom
	F607338	Front Cover	SF85PV and UF85PV; Bottom

# Body Panels



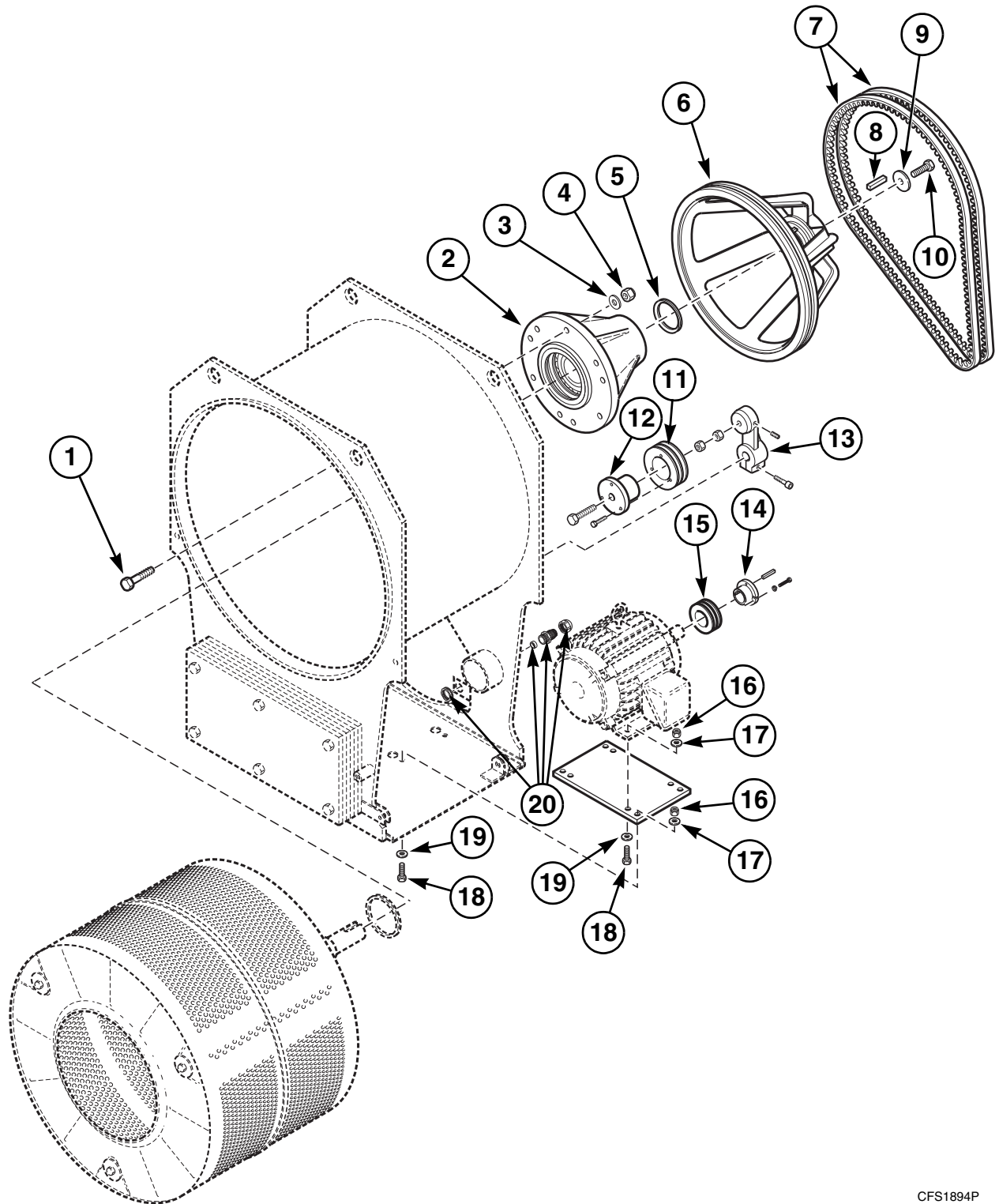
CFS1892P

# Body Panels

REF	PART #	DESCRIPTION	COMMENTS
1	F606719	Top Cover	SF35PV and UF35PV
	F605920	Top Cover	SF50PV and UF50PV
	F634140	Top Cover	SF85PV and UF85PV
2	F606723	Top Frame Weldment	SF35PV and UF35PV
	F605823	Top Frame Weldment	SF50PV and UF50PV
	F634143	Top Frame Weldment	SF85PV and UF85PV
3	F430986	Screw	
4	F635616	Rear Panel	SF35PV and UF35PV; Upper
	F631454	Rear Panel	SF50PV and UF50PV; Upper
	F633023	Rear Panel	SF85PV and UF85PV; Upper
5	F430174	Screw	
6	F430925	Screw	
7	F430215	Locknut	
8	F220900	Filter Retainer Guard	
9	F0270321-00	Filter	
10	F430916	Screw	
11	F631696	Rear Cover	SF35PV and UF35PV
	F631695	Rear Cover	SF50PV and UF50PV
	F607335	Rear Cover	SF85PV and UF85PV
12	F606718	Side Panel	SF35PV and UF35PV; 4 per machine
	F730399	Side Panel Kit	SF50PV and UF50PV; 4 per machine; Includes fasteners and insulation (part no. F170148)
	F607339	Side Panel	SF85PV and UF85PV; 4 per machine
13	F430179	Screw	
14	F430231	Locknut	
15	F110106	Muffin Fan	120 Volt
16	F200215	Clamp	Small; #28
17	F150352	Plug	Small
18	F150443	Plug	Large
19	F200213	Clamp	Large; #40

# Basket, Pulley, Belt and Trunnion

Page 1 of 2



CFS1894P

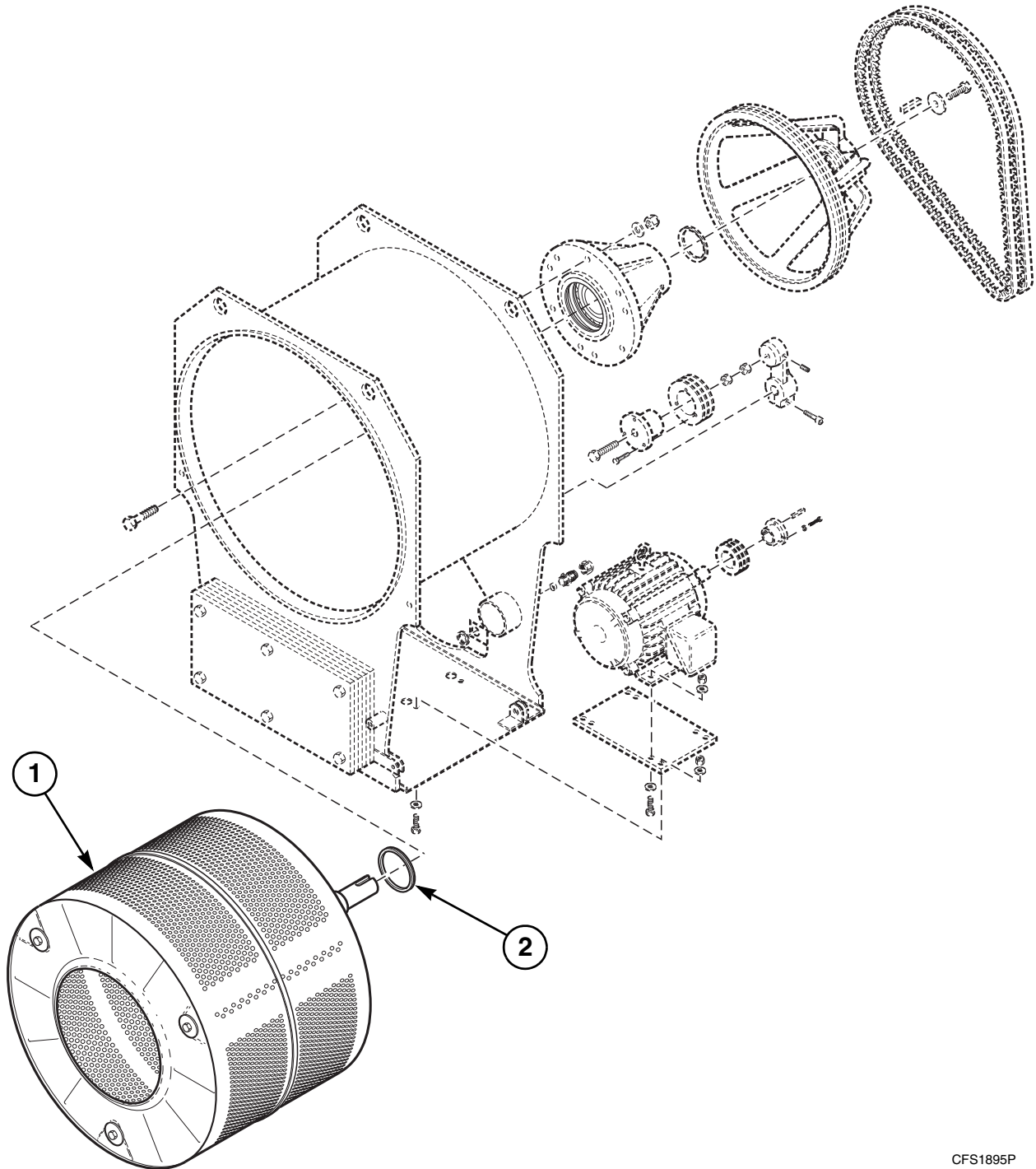
# Basket, Pulley, Belt and Trunnion

Page 1 of 2

REF	PART #	DESCRIPTION	COMMENTS
1	F430987	Screw	SF35PV and UF35PV
	F430947	Screw	SF50PV and UF50PV
	F430952	Bolt	SF85PV and UF85PV
2	F730425-1	Trunnion Kit	SF35PV and UF35PV; Includes items 2, 3, 4, 5 and 6
	F730387-1	Trunnion Kit	SF50PV and UF50PV; Includes items 2, 3, 4, 5 and 6
	F730435	Trunnion Kit	SF85PV and UF85PV; Includes items 2, 3, 4 and 5
3	F430131	Washer	SF35PV and UF35PV
	F430325	Washer	SF50PV and UF50PV
	F430326	Washer	SF85PV and UF85PV
4	F430240	Nut	SF35PV and UF35PV
	F430201	Locknut	SF50PV and UF50PV
	F430202	Locknut	SF85PV and UF85PV
5	F100249	V-Ring Seal	SF35PV and UF35PV
	F100245	V-Ring Seal	SF50PV and UF50PV
	F100250	V-Ring Seal	SF85PV and UF85PV
6	F150253	Basket Pulley	SF35PV and UF35PV
	F150245	Basket Pulley	SF50PV and UF50PV
	F150280	Basket Pulley	SF85PV and UF85PV
7	F280362	Belt	SF35PV and UF35PV; 3VX800; 2 per machine
	F280363	Belt	SF50PV and UF50PV; 3V8830; 2 per machine
	F280361	Belt	SF85PV and UF85PV; 3VX950; Used until 12/94; 2 per machine
	F280357	Belt	SF85PV and UF85PV; BX-93; Used from 1/95 until 6/01; 2 per machine
	F0280378-00	Belt	SF85PV and UF85PV; BX-106; Used from 6/01; 2 per machine
8	F430808	Key	SF35PV and UF35PV
	F430812	Key	SF50PV, UF50PV, SF85PV and UF85PV
9	F605985F	Cover Plate	
10	F430183	Screw	
11	F280415	Pulley	SF35PV, UF35PV, SF50PV and UF50PV; Used after 1995
	F280296	Pulley	SF85PV and UF85PV; For BX-106 Belt; Used after 1995
12	F280414	Idler Bushing	Used after 1995; Includes screws
13	F280275	Idler Arm	Used after 1995; Includes nuts and screws
14	F280233	Bushing	SF35PV, UF35PV, SF50PV and UF50PV; Includes screws, washers and key
	F280260	Bushing	SF85PV and UF85PV; Includes screws, washers and key
15	F280103	Pulley	SF35PV and UF35PV; Used until 1/00
	F280285	Motor Pulley	SF35PV and UF35PV, used after 1/00; SF50PV and UF50PV
	F280273	Pulley	SF85PV and UF85PV
16	F430218	Locknut	SF35, UF35, SF50 and UF50
	F430239	Locknut	SF85 and UF85
17	F432288	Motor Spacer	SF35PV, UF35PV, SF50PV and UF50PV
	F432289	Motor Spacer	SF85PV and UF85PV; Used until 6/12/00
18	F430939	Screw	SF35, UF35, SF50 and UF50
	F430947	Screw	SF85 and UF85
19	F431100	Lockwasher	SF35, UF35, SF50 and UF50
	F430319	Washer	SF85 and UF85
20	F140331	Strain Relief Connector	PG21

# Basket, Pulley, Belt and Trunnion

Page 2 of 2



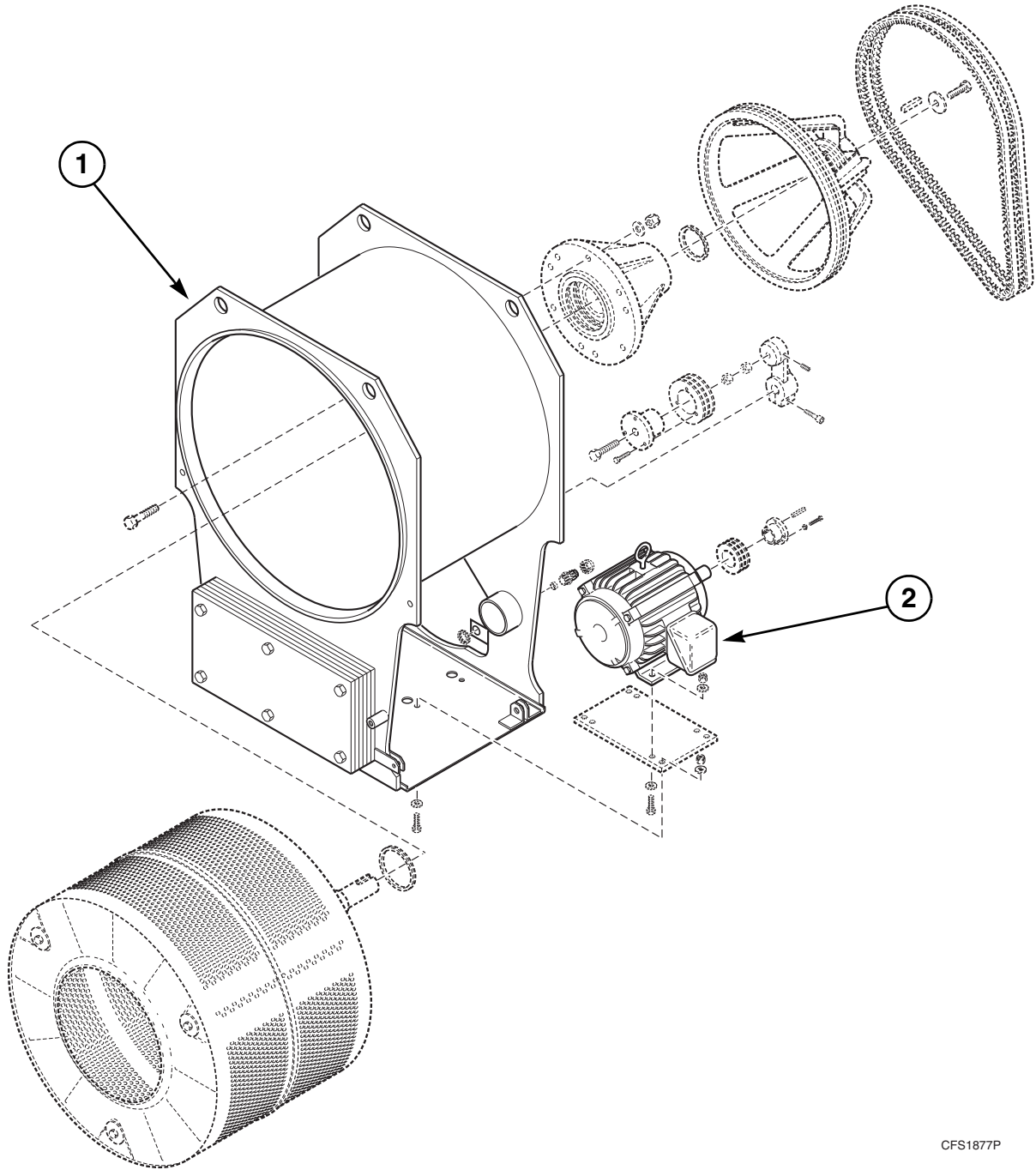
CFS1895P

# Basket, Pulley, Belt and Trunnion

Page 2 of 2

REF	PART #	DESCRIPTION	COMMENTS
1	F606693	Basket Assembly	SF35PV and UF35PV
	F605822	Basket Assembly	SF50PV and UF50PV
	F607248	Basket Assembly	SF85PV and UF85PV
2	F100245	V-Ring Seal	SF35PV and UF35PV
	F100243	V-Ring Seal	SF50PV and UF50PV
	F100251	Seal	SF85PV and UF85PV

# Shell and Motor



CFS1877P

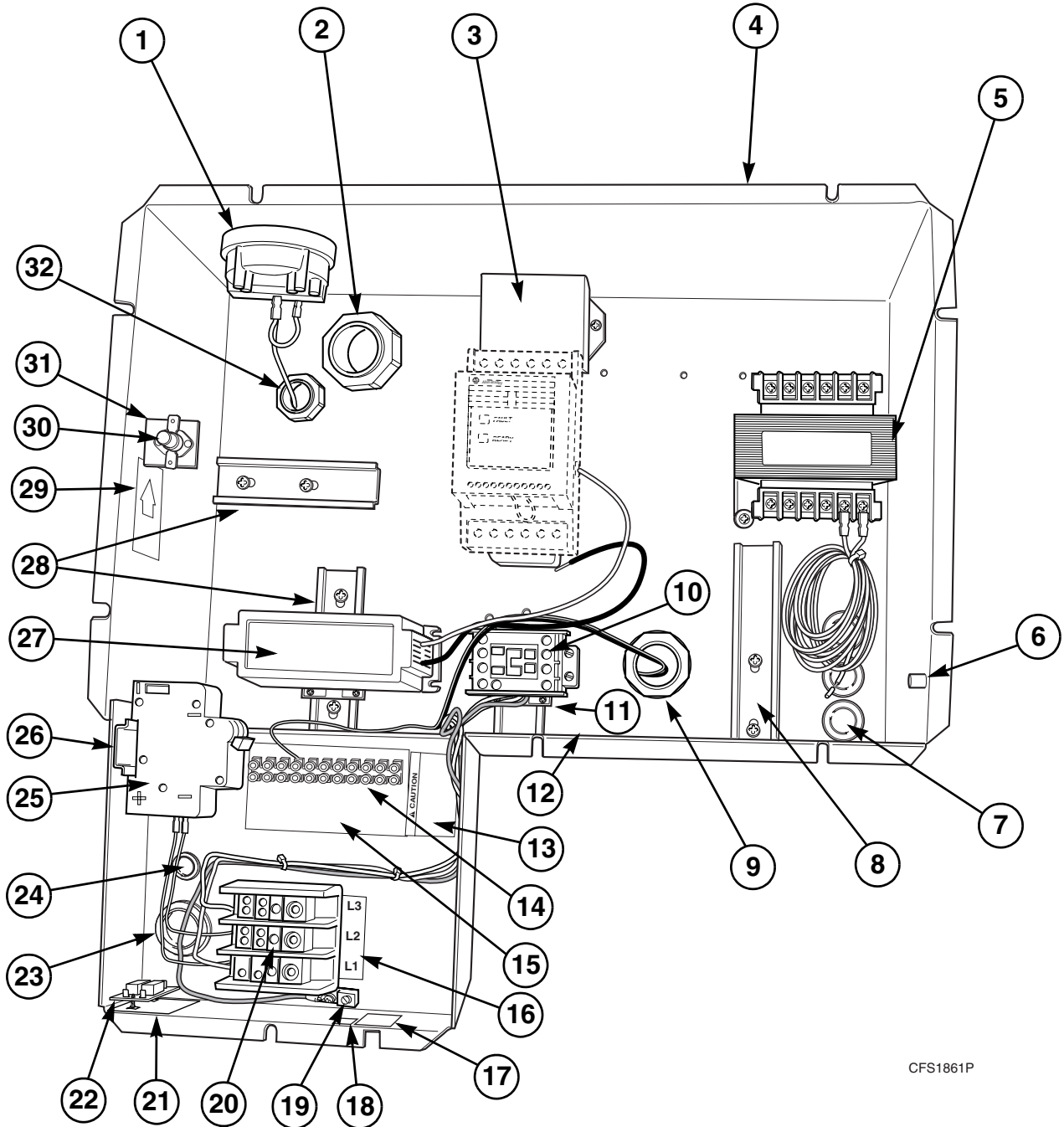


# Shell and Motor

REF	PART #	DESCRIPTION	DESCRIPTION
	F0636276-01	Shell Assembly Replacement Kit	SF35PV and UF35PV; Includes item 1, from page 5 item 12, from page 7 item 14, from page 11 item 6 and from page 13 item 1
	F0636275-01	Shell Assembly Replacement Kit	SF50PV and UF50PV; Includes item 1, from page 5 item 12, from page 7 item 14, from page 11 item 6 and from page 13 item 1
	F0636274-01	Shell Assembly Replacement Kit	SF85PV and UF85PV; Includes item 1, from page 5 item 12, from page 7 item 14, from page 11 item 6 and from page 13 item 1
<b>1</b>	F606705-2	Shell Assembly	SF35PV and UF35PV
	F605871-2	Shell Assembly	SF50PV and UF50PV
	F607471-3	Shell Assembly	SF85PV and UF85PV
<b>2</b>	F220215U	Motor	SF35PV and UF35PV; 1305-Series drive; Reliance
	F220215M	Motor	SF35PV and UF35PV; 1305-Series drive; Magnetek
	F0220439-00	Motor	SF35PV and UF35PV; 160-Series drive
	F220214U	Motor	SF50PV and UF50PV; 1305-Series drive; US
	F220434	Motor	SF50PV and UF50PV; 1305-Series drive; US premium
	F220236	Motor	SF50PV and UF50PV; 1305 and 160-series drive; Magnetek
	F220217	Motor	SF85PV and UF85PV; US
	F220438	Motor	SF85PV and UF85PV; Magnetek

# Drive Box

SF35PV, UF35PV, SF50PV and UF50PV; Page 1 of 2



CFS1861P

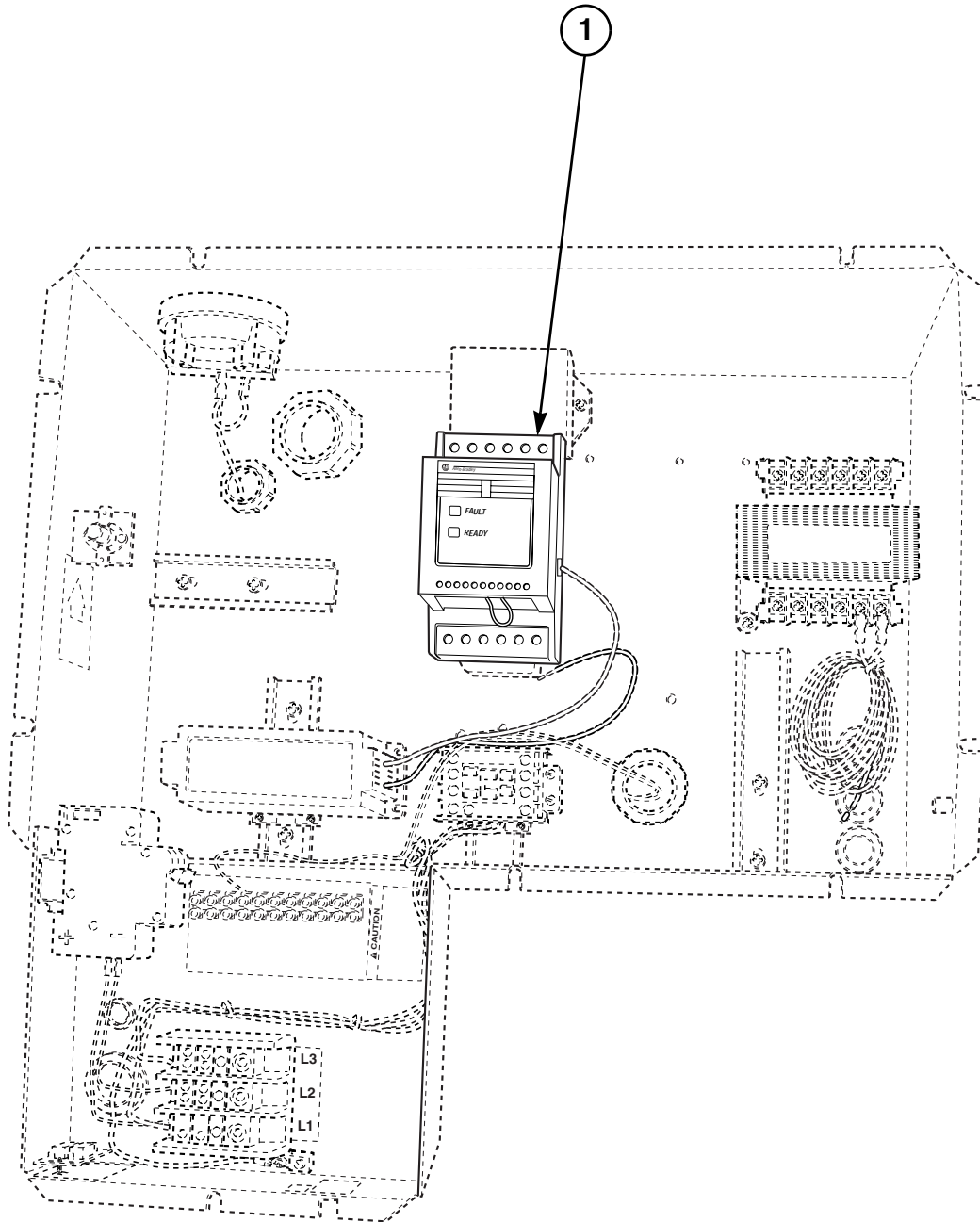
# Drive Box

SF35PV, UF35PV, SF50PV and UF50PV; Page 1 of 2

REF	PART #	DESCRIPTION	COMMENTS
1	F0340340-10	Water Level Switch	SF35PV and UF35PV
	F0340343-10	Water Level Switch	SF50PV and UF50PV
2	F140341	Strain Relief Connector	PG36
3	F635257	Air Duct Assembly	
4	F634605	Drive Box Assembly	
5	F360124	Transformer	
6	F140526	Plug	
7	F180485	Caplug	7/8 inch
8	F610843	Mounting Rail	6 inch
9	F140224	Strain Relief Connector	PG29
10	F330175	Contactora	
11	F330530	End Anchor	
12	F231416	Decal	Caution
13	F231345-4	Decal	Caution: External supply
14	F140782	Terminal Block	
15	F230764-6	Decal	External supply connection
16	F230677	Decal	Input power connector
17	F230630	Decal	Ground
18	F231434	Decal	Ground
19	F140734	Ground Terminal Lug	
20	F140770	Input Terminal Block	
21	F231271-1	Decal	Fuse
22	F0350312-00	Fuseholder	
23	F180486	Caplug	1 1/8 inch
24	F180507	Caplug	5/8 inch
25	F350201	Circuit Breaker	2 pole; 2 Amp; Models with suffix PVP or PVN
	F350202	Circuit Breaker	2 pole; 3 Amp; Models with suffix PVQ or PVT
26	F602595-2	Mounting Rail	2 3/4 inch
27	F370236	Capictor Module	200 Volt; Models with suffix PVQ
	F370237	Capictor Module	400 Volt; Models with suffix PVP or PVN
28	F602595-1	Mounting Rail	5 inch
29	F231379	Decal	Thermostat reset
30	F290114	Thermostat	
31	F635441	Temperature Sensor Bracket	
32	F140331	Strain Relief Connector	PG21

# Drive Box

SF35PV, UF35PV, SF50PV and UF50PV; Page 2 of 2



CFS1891P

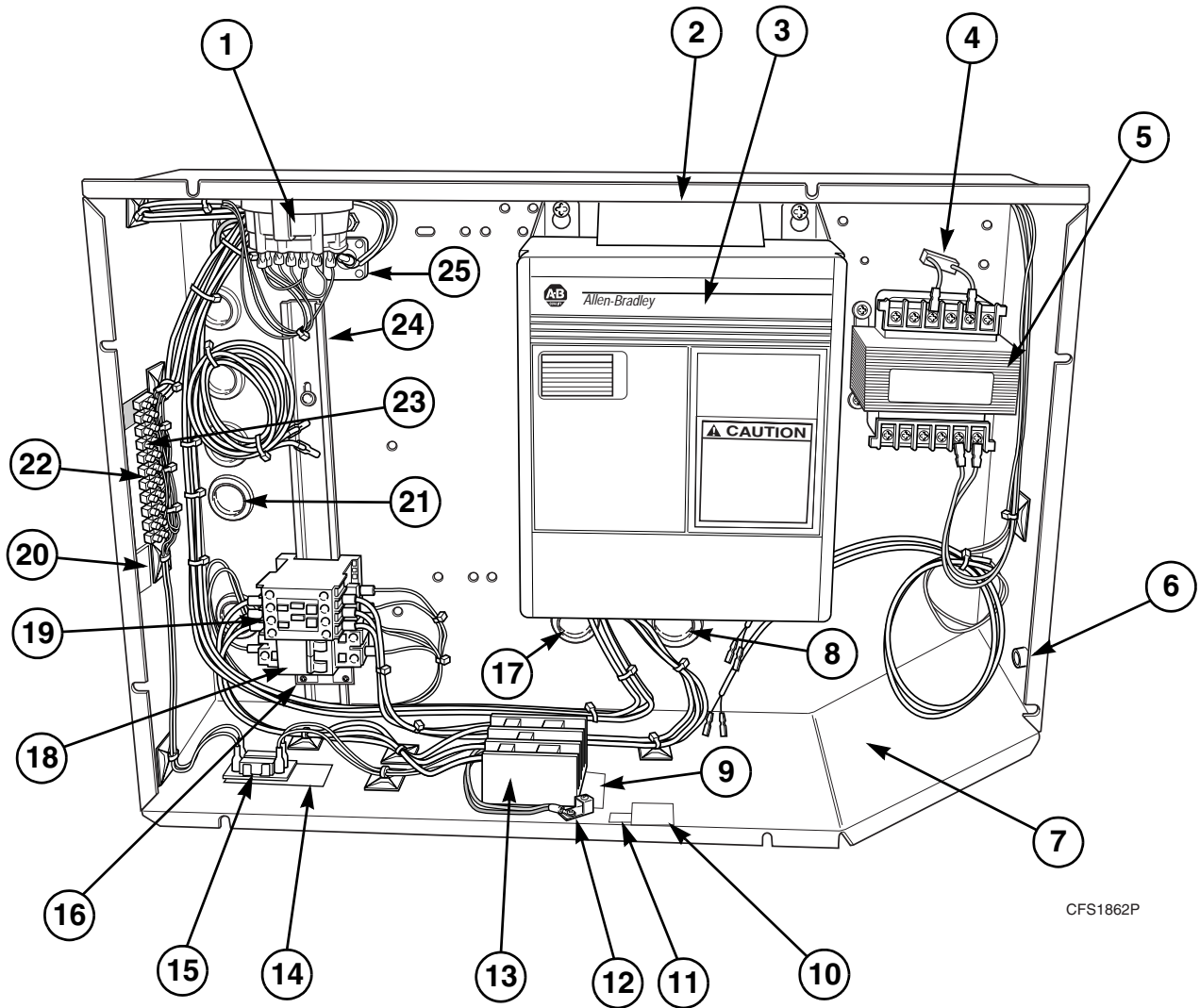
# Drive Box

SF35PV, UF35PV, SF50PV and UF50PV; Page 2 of 2

REF	PART #	DESCRIPTION	COMMENTS
1	F370815	Inverter Drive	SF35PV and UF35PV; Used between 11/12/96 and 8/22/99; Models with suffix PVQ or PVT
	F370857	Inverter Drive	SF35PV and UF35PV; Used after 8/22/99; Models with suffix PVQ
	F370843	Inverter Drive	SF35PV and UF35PV; Used after 8/22/99; Models with suffix PVT
	F370816	Inverter Drive	SF35PV and UF35PV; Used between 11/12/96 and 8/22/99; Models with suffix PVP or PVN
	F370858	Inverter Drive	SF35PV and UF35PV; Used after 8/22/99; Models with suffix PVP or PVN
	F370815	Inverter Drive	SF50PV and UF50PV; Used between 11/12/96 and 8/22/99; Models with suffix PVQ
	F370843	Inverter Drive	SF50PV and UF50PV; Used after 8/22/99; Models with suffix PVQ
	F370838	Inverter Drive	SF50PV and UF50PV; Used between 11/12/96 and 10/7/99; Models with suffix PVT
	F370853	Inverter Drive	SF50PV and UF50PV; Used after 10/7/99; Models with suffix PVT
	F370818	Inverter Drive	SF50PV and UF50PV; Used between 11/12/96 and 8/22/99; Models with suffix PVP or PVN
	F370844	Inverter Drive	SF50PV and UF50PV; Used after 8/22/99; Models with suffix PVP or PVN

# Drive Box

SF85PV and UF85PV



CFS1862P

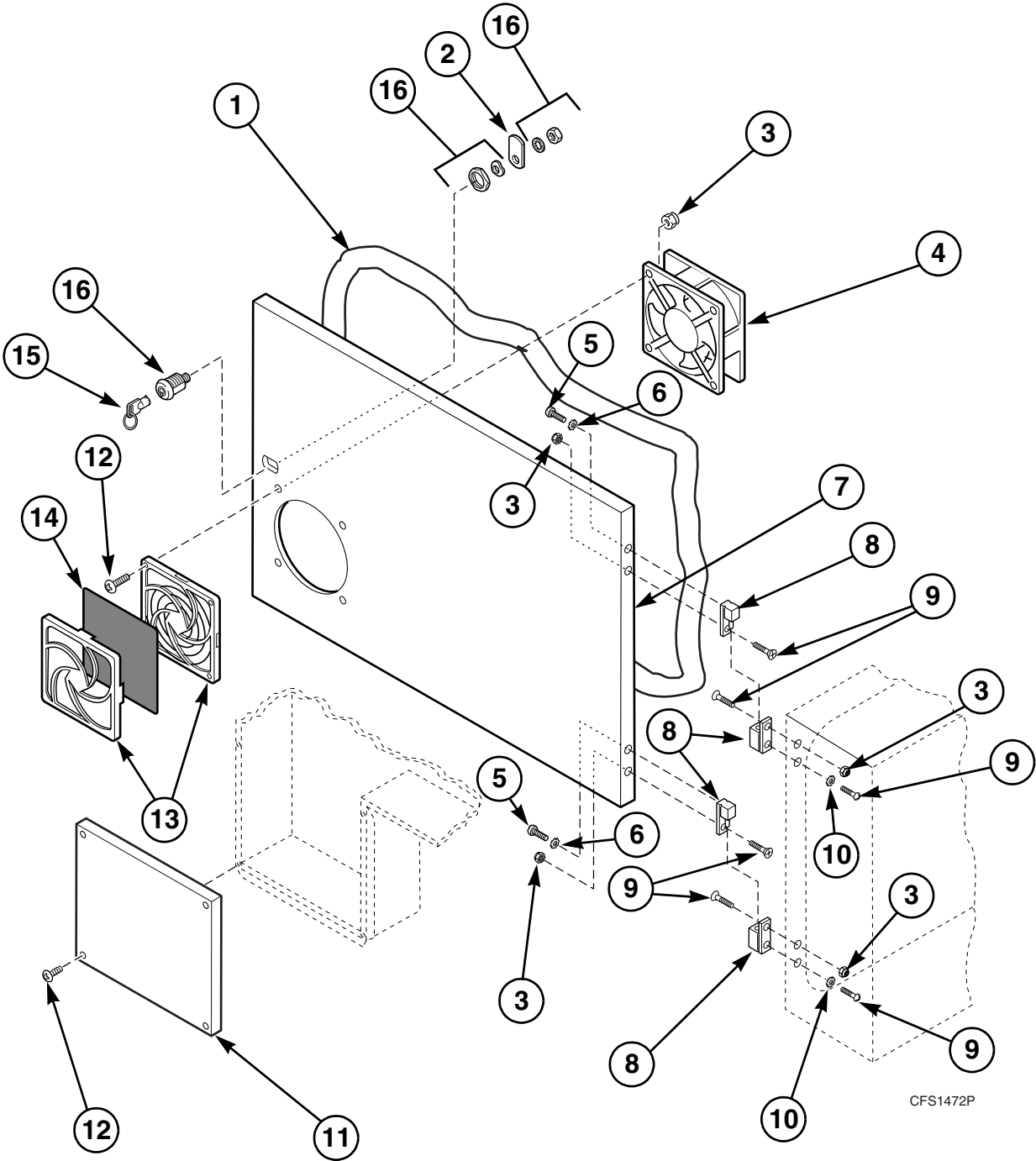
# Drive Box

SF85PV and UF85PV

REF	PART #	DESCRIPTION	COMMENTS
1	F0340345-10	Water Level Switch	
2	F0636279-00	Vent Shield Assembly	
3	F370838	Inverter Drive	Used after 1/2/97; Models with suffix PVQ or PVT
	F370835	Inverter Drive	Used after 1/2/97; Models with suffix PVP or PVN
4	F330217	RC Network Filter	
5	F360124	Transformer	
6	F140526	Plug	1/2 inch
7	F0634607-00	AC Drive Box Assembly	Includes item 2
8	F140224	Strain Relief Connector	PG29
9	F231437	Decal	Power input
10	F230630	Decal	Ground
11	F231434	Decal	Ground
12	F140734	Ground Terminal Lug	
13	F140770	Input Terminal Block	
14	F231271	Decal	Fuse
15	F0350312-10	Fuseholder	
16	F330530	End Anchor	
17	F180485	Caplug	7/8 inch
18	F350201	Circuit Breaker	2 pole; 2 Amp; Models with suffix PVP or PVN
	F350202	Circuit Breaker	2 pole; 3 Amp; Models with suffix PVQ or PVT
19	F330178	Contacto	
20	F231345-4	Decal	Caution: External supply
21	F180486	Caplug	1 1/8 inch
22	F230764-6	Decal	External supply connection
23	F140782	Terminal Block	
24	F610845	Mounting Rail	
25	F141873	Harness Assembly	

# Drive Box Cover

SF35PV, UF35PV, SF50PV and UF50PV



CFS1472P



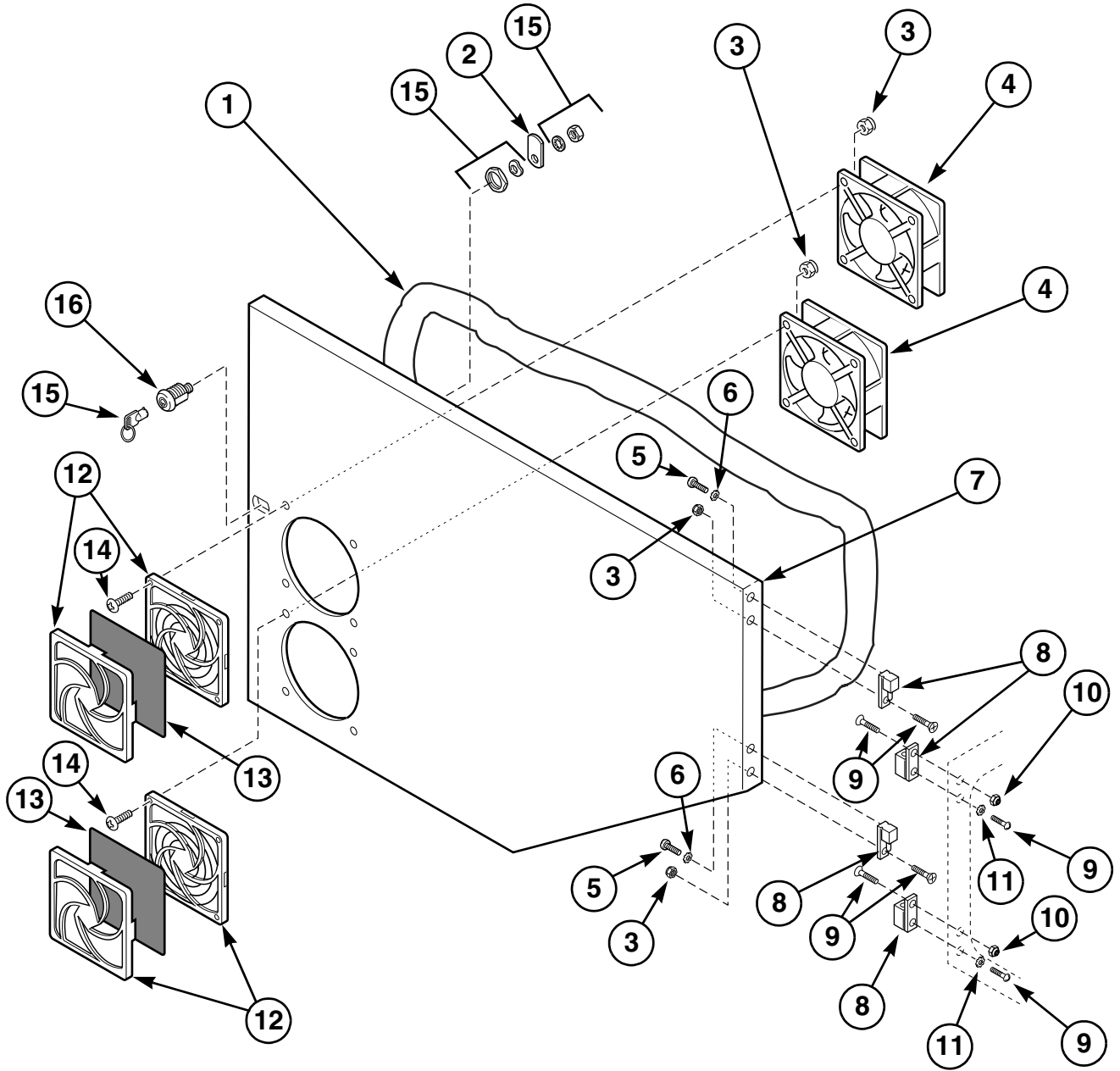
# Drive Box Cover

SF35PV, UF35PV, SF50PV and UF50PV

REF	PART #	DESCRIPTION	COMMENTS
1	F170176	Gasket	Order 6 feet
2	F606295	Lock Latch	
3	F430231	Locknut	
4	F110106	Fan	
5	F430928	Screw	
6	F431113	Lockwasher	
7	F631741	Cover	
8	F190209	Hinge	
9	F432231	Screw	
10	F431125	Washer	
11	F631705	Cover	
12	F430976	Screw	
13	F220900	Filter Retainer Guard	
14	F0270321-00	Filter	
15	F160562	Key	GR3800
16	F190802	Lid Lock	Includes item 15

# Drive Box Cover

SF85PV and UF85PV



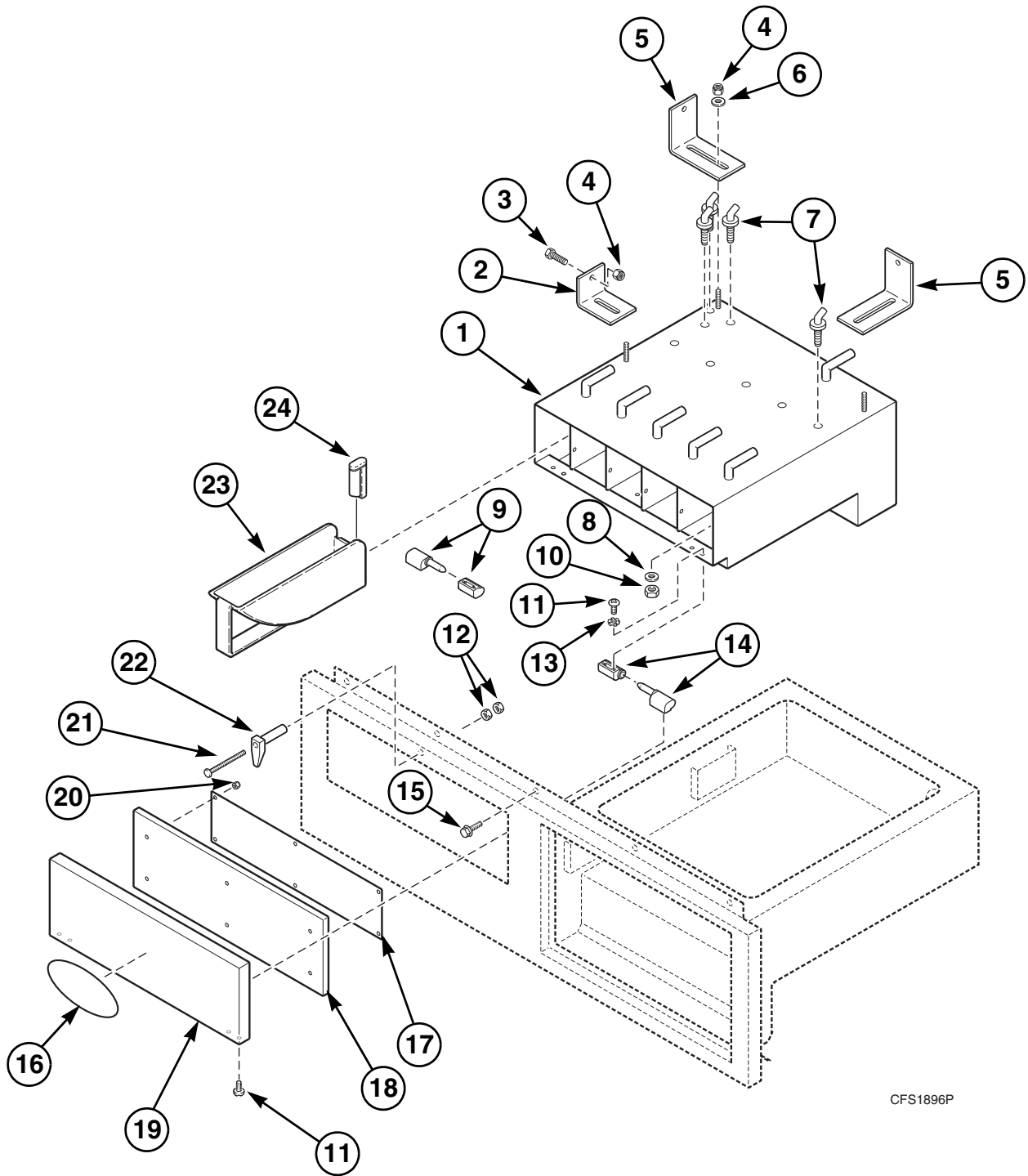
CFS1473P

# Drive Box Cover

SF85PV and UF85PV

REF	PART #	DESCRIPTION	COMMENTS
1	F170176	Gasket	Order 7 feet
2	F606295	Lock Latch	
3	F430232	Locknut	
4	F110106	Fan	
5	F430928	Screw	
6	F431113	Lockwasher	
7	F607373	Cover	Used since 8/97
	F633001	Cover	Used before 8/97; Rectangular
8	F190209	Hinge	
9	F432231	Screw	
10	F430231	Locknut	
11	F431125	Washer	
12	F220900	Filter Retainer Guard	
13	F0270321-00	Filter	
14	F430976	Screw	
15	F160562	Key	GR3800
16	F190802	Lid Lock	Includes item 15

# Supply Dispenser



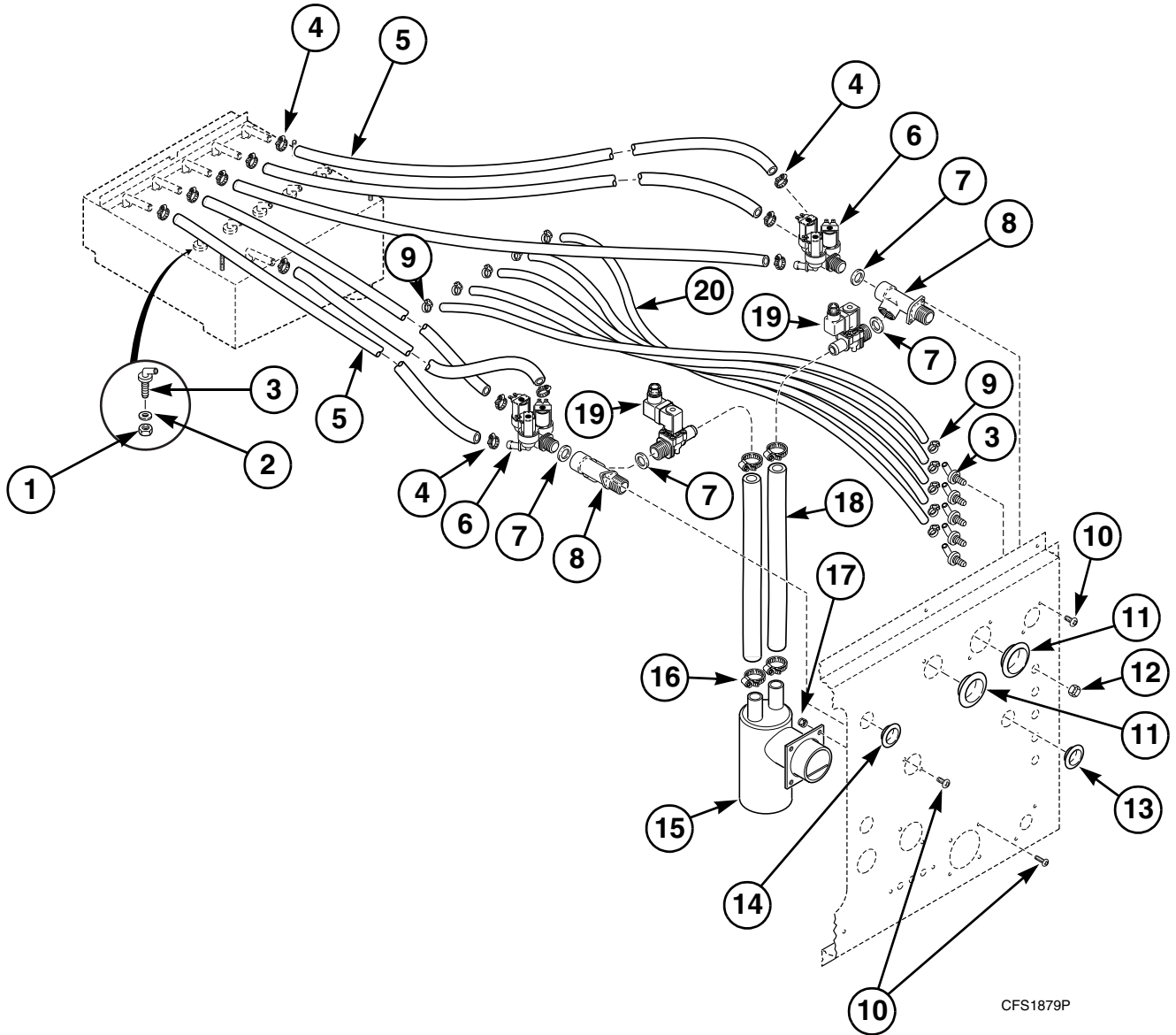
CFS1896P

# Supply Dispenser

REF	PART #	DESCRIPTION	COMMENTS
1	F607022-2	Supply Dispenser Weldment	SF35PV and UF35PV
	F606048	Supply Dispenser Assembly	SF50PV and UF50PV
	F607052-1	Supply Dispenser Weldment	SF85PV and UF85PV
2	F609663	Dispenser Support Bracket	Short
3	F430939	Screw	
4	F431024	Locknut	
5	F609664	Dispenser Support Bracket	Long
6	F431105	Washer	
7	F380300	Injection Nozzle	
	F749002	Supply Dispenser Kit	Includes items 7, 8 and 10
8	F431131	Washer	
9	F190202	Hinge	Left
10	F431001	Nut	
11	F432229	Screw	
12	F431005	Nut	
13	F431108	Lockwasher	
14	F190205	Hinge	Right
15	F430179	Screw	
	F230806	Decal	Logo; UF models; Oval
16	F231225	Decal	Logo; SF models; Rectangular
	F606729	Gasket Cover	SF35PV and UF35PV
17	F606323	Gasket Cover	SF50PV and UF50PV
	F607059	Gasket Cover	SF85PV and UF85PV
	F606804	Dispenser Gasket	SF35PV, UF35PV, SF50PV and UF50PV
18	F607060	Dispenser Gasket	SF85PV and UF85PV
	F606728	Dispenser Cover	SF35PV and UF35PV
19	F606324	Dispenser Cover Weldment	SF50PV and UF50PV
	F749801	Dispenser Cover Kit	SF85PV and UF85PV
	F431000	Nut	
20	F606612	Screw	
21	F606607	Latch	
22	F150368	Supply Dispenser Cup	Small; 5 in SF35PV and UF35PV; 3 in SF50PV and UF50PV
	F150369	Supply Dispenser Cup	Large; 3 in SF50PV and UF50PV; 5 in SF85PV and UF85PV
23	F150390	Siphon Tube	

# Fill and Supply System

SF35PV, UF35PV, SF50PV and UF50PV



CFS1879P

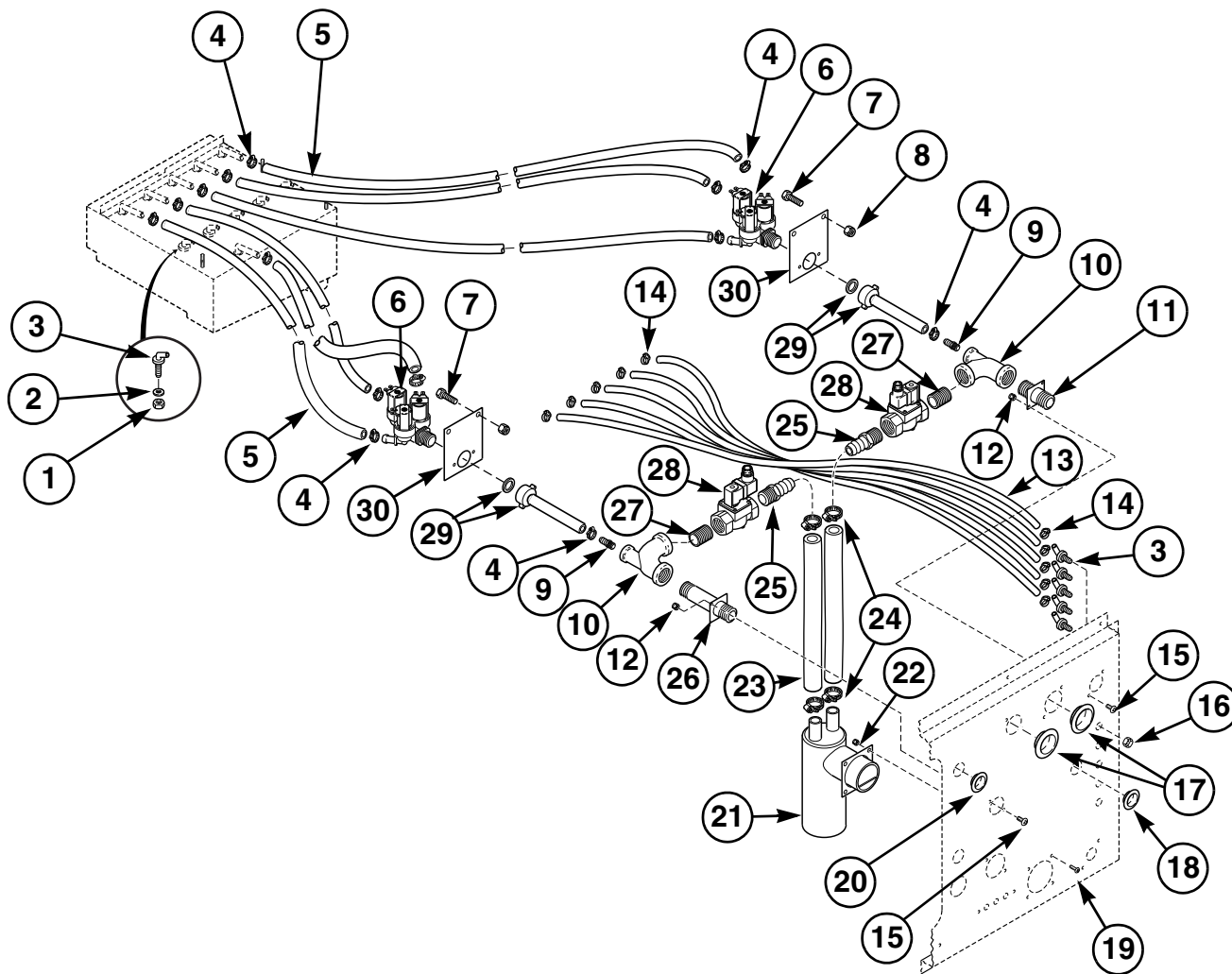
# Fill and Supply System

SF35PV, UF35PV, SF50PV and UF50PV

REF	PART #	DESCRIPTION	COMMENTS
	F730168	Injection Nozzle Kit	Includes items 1-3
1	F431001	Nut	
2	F431131	Washer	
3	F380300	Injection Nozzle	
4	F200207	Clamp	#8
5	F200199	Hose	Order 3 feet for each hose
6	F380951	3-Way Valve	Mueller
	F381725	3-Way Valve	Elbi
7	20290	Washer	
8	F150246	Water Connection Inlet Manifold	Standard thread
	F150247	Water Connection Inlet Manifold	Metric thread
9	F200217	Clamp	#7
10	F430909	Screw	
11	F180502	Plug	
12	F430224	Nut	
13	F180485	Caplug	
14	F180505	Plug	
15	F606031	Vacuum Breaker Weldment	
16	F200222	Clamp	#12
17	F430232	Locknut	
18	F200128	Hose	Order 3 feet
19	F381702	1-Way Valve	Parker; SF35PV and UF35PV; After 5/99; Repair kit part no. F380993
	F380953	1-Way Valve	Mueller; SF35PV and UF35PV; Before 5/99; Repair kit part no. F380939
	F381700	1-Way Valve	Parker; SF50PV and UF50PV; After 5/99; Repair kit part no. F380941
	F380763	1-Way Valve	Mueller; SF50PV and UF50PV; Before 5/99; Repair kit part no. F380991
20	F200168	Tubing	Sold per foot

# Fill and Supply System

SF85PV and UF85PV



CFS1880P

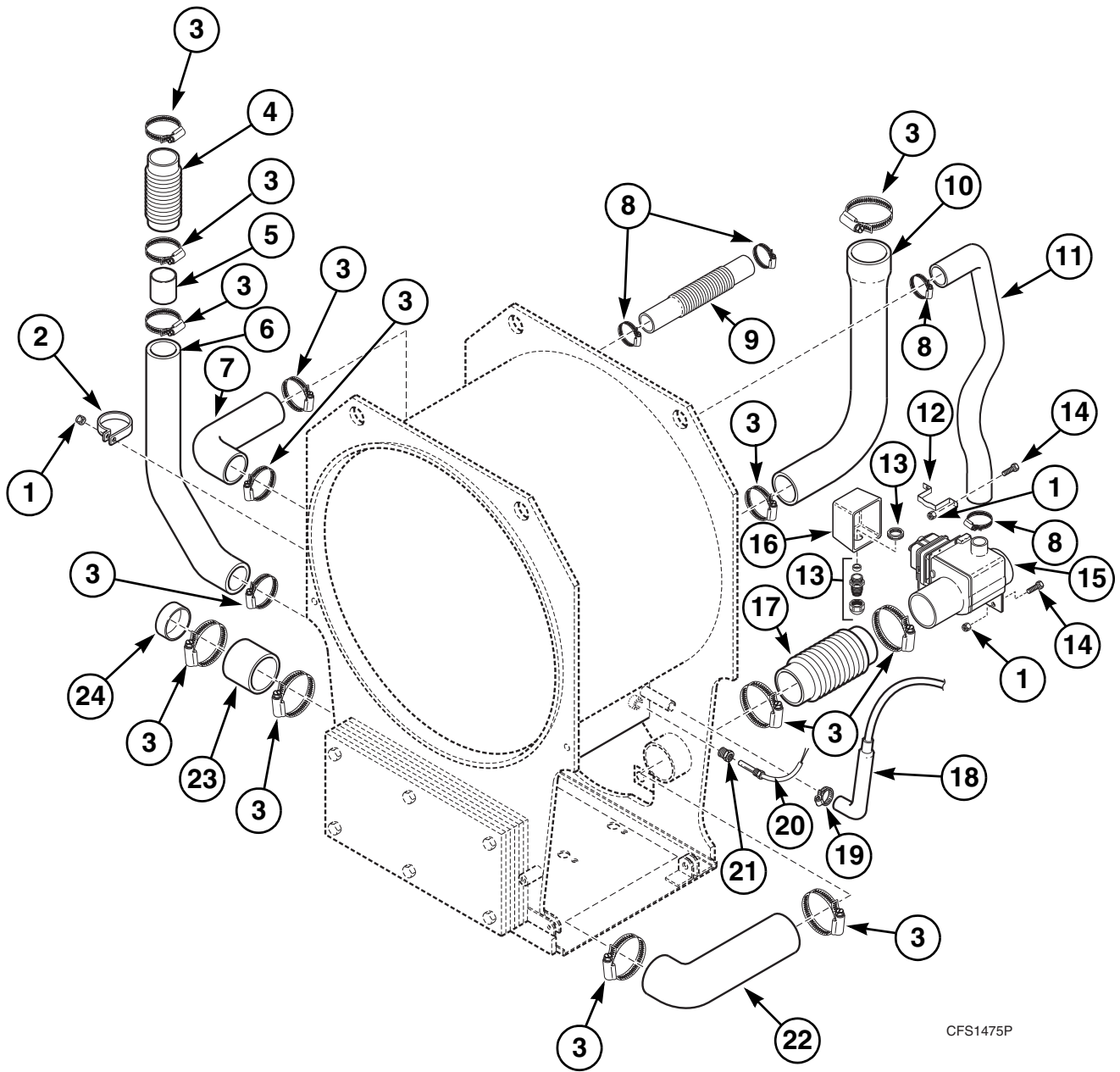


# Fill and Supply System

SF85PV and UF85PV

REF	PART #	DESCRIPTION	COMMENTS
	F730168	Injection Nozzle Kit	Includes items 1-3
1	F431001	Nut	
2	F170208	O-Ring	
3	F380300	Injection Nozzle	
4	F200207	Clamp	#8
5	F200199	Hose	Order 4 feet per hose
6	F380951	3-Way Valve	
7	F430179	Screw	
8	F430220	Locknut	
9	F421964	Hose Barb	
10	F420415	Tee	
11	F607515	Nipple Weldment	Standard thread
	F609279	Nipple Weldment	Metric thread
12	F430215	Locknut	
13	F200168	Tubing	Order 4 feet per hose
14	F200217	Clamp	#7
15	F430925	Screw	
16	F430224	Nut	
17	F180486	Caplug	
18	F180507	Caplug	
19	F430909	Screw	
20	F180505	Plug	
21	F607489	Vacuum Breaker Weldment	
22	F430232	Locknut	
23	F200155	Hose	Order 4 feet per hose
24	F200222	Clamp	#12
25	F421952	Hose Barb	
26	F607532	Nipple Weldment	
27	F420118	Nipple	
28	F381727	1-Way Valve	
29	F200509	Hose	
30	F607518	Supply Valve Plate	

# Hoses and Drain System



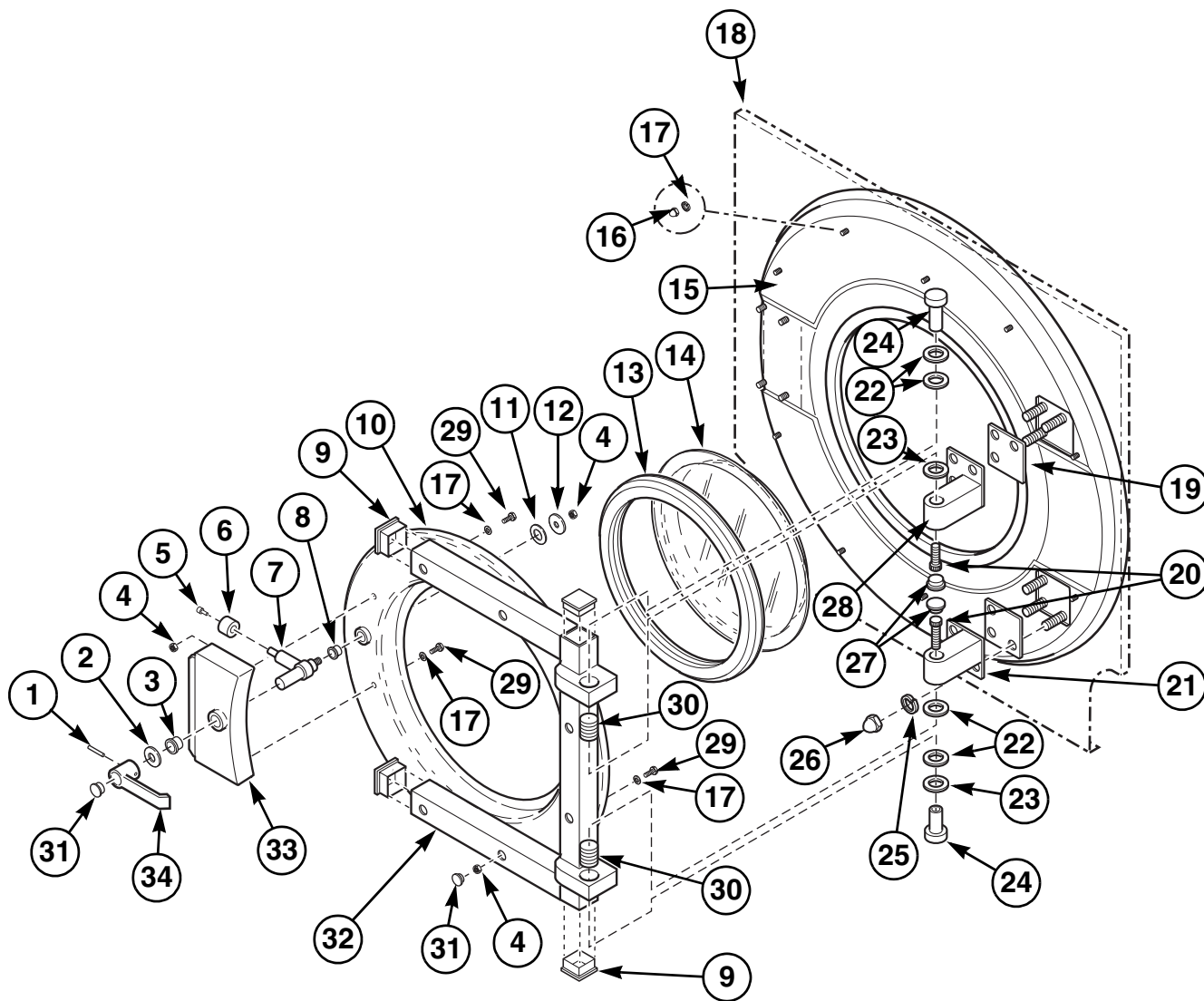
CFS1475P

## Hoses and Drain System

REF	PART #	DESCRIPTION	COMMENTS
1	F430215	Locknut	
2	F140645	Clamp	
3	F200213	Clamp	#40
4	F200171	Hose	SF35PV, UF35PV, SF50PV and UF50PV; Upper supply
	F150415	Hose	SF85PV and UF85PV; Upper supply
5	F602794-1	Tubing	
6	F200172	Hose	Lower supply
7	F200175	Hose	Lower fill
8	F200215	Clamp	#28
9	F200170	Hose	Vent flex
10	F200173	Hose	Upper fill
11	F150377	Overflow Hose	SF35PV, UF35PV, SF50PV and UF50PV
	F150394	Overflow Hose	SF85PV and UF85PV
12	F606647	Drain Support Bracket	
13	F140329	Strain Relief Connector	PG13.5
14	F430103	Screw	
15	F380628	Drain Valve	
16	F380946	Drain Motor Cover	
17	F200169	Hose	SF35PV, UF35PV, SF50PV and UF50PV; Drain flex
18	F200142	Airtrap Hose	SF35PV, UF35PV , SF50PV and UF50PV
	F200163	Airtrap Hose	SF85PV and UF85PV
19	F200222	Clamp	#12
20	F370606	Temperature Probe	
21	F421936	Reducer Bushing	Used before 1995
22	F150356	Hose	SF35PV, UF35PV, SF50PV and UF50PV
	F150411	Hose	SF85PV and UF85PV
23	F607461	Plug Hose	
24	F607460	Sump Plug Weldment	

# Door Assembly

SF35PV and UF35PV; New Style; Used after 9/97



CFS1881P

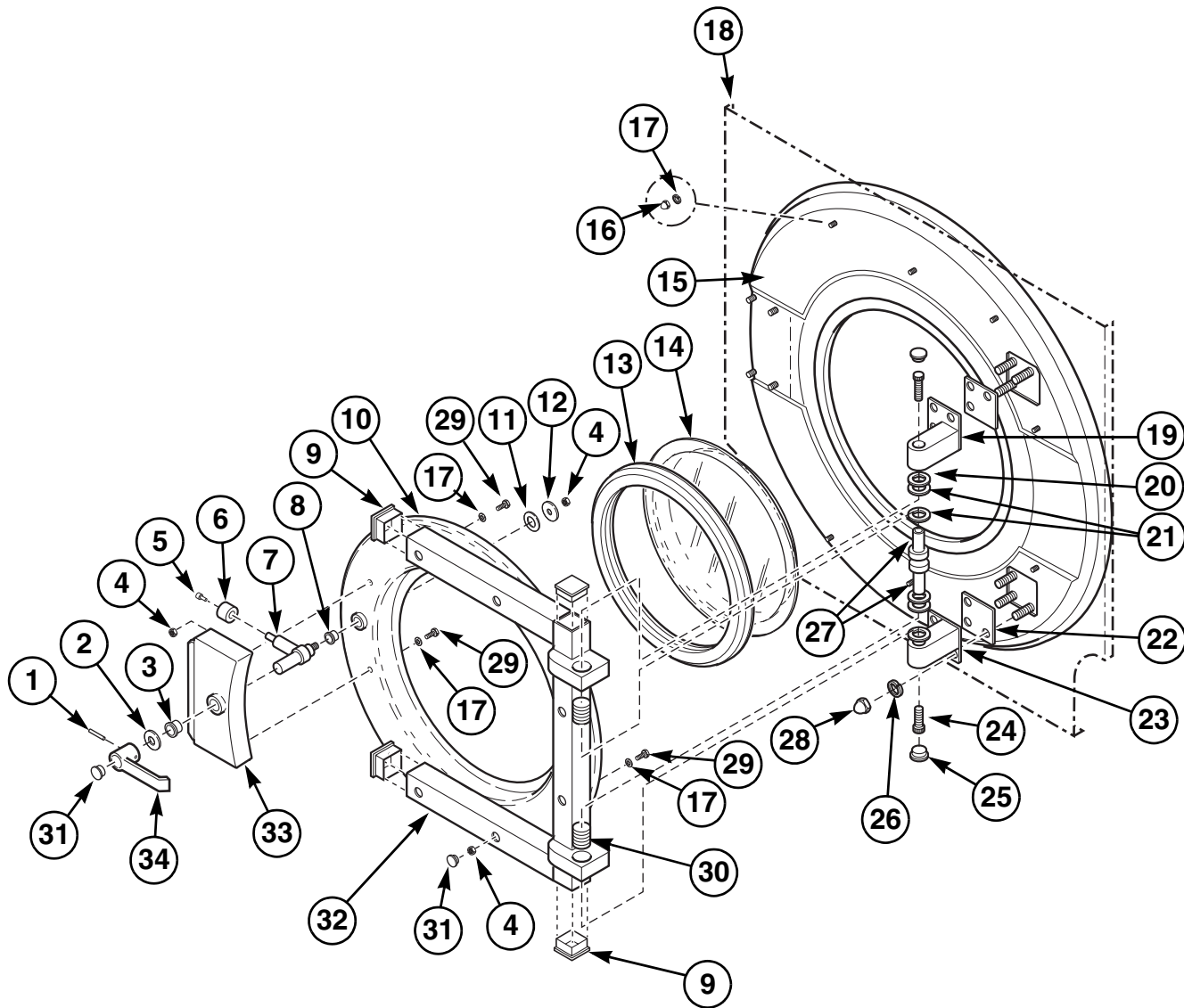
# Door Assembly

SF35PV and UF35PV; New Style; Used after 9/97

REF	PART #	DESCRIPTION	COMMENTS
	F746006-02	Door Retro Kit	Includes all items on this page
	F634027	Door Hinge Assembly	Includes items 3, 5-8, 10-14, 18-22, 24, 26, 28, 30, 32 and 34
	F746503	Door Lock Pivot Kit	Includes items 1-12
1	F431222	Spring Pin	
2	F431907	Washer	
3	F280253	Bushing	
4	F431024	Locknut	
5	F340502	Switch Magnet	
6	F100145	Follower Cam	
7	F608536	Pivot Lock Weldment	
8	F280252	Bushing	
9	F190308	Cap Plug	1 1/2 inch; 4 per door
10	F634002	Door Weldment	
11	F431143	Washer	
12	F431142	Washer	
13	F170123-1	Door Gasket	
14	F290207	Door Glass	
15	F633684	Front Shell Weldment	
16	F431026	Nut	
17	F431100	Lockwasher	
18	F607036	Shell Front Cover	
19	F631662	Shim	3 per hinge
20	F432285	Screw	
21	F633932	Base Hinge Weldment	Lower
22	F431934	Washer	
23	F431933	Washer	
24	F432306	Hinge Pin	
25	F431001	Nut	
26	F431047	Nut	
27	F190309	Cap Plug	7/8 inch; 2 per door
28	F633931	Base Hinge Weldment	Upper
29	F430923	Screw	
30	F280293	Sleeve	
31	F140563	Plug	7 per door
32	F633944	Hinge Door Weldment	
33	F631670	Door Support Bracket Weldment	
34	F150225	Door Handle	

# Door Assembly

SF50PV and UF50PV; New Style; Used after 9/97



CFS1882P

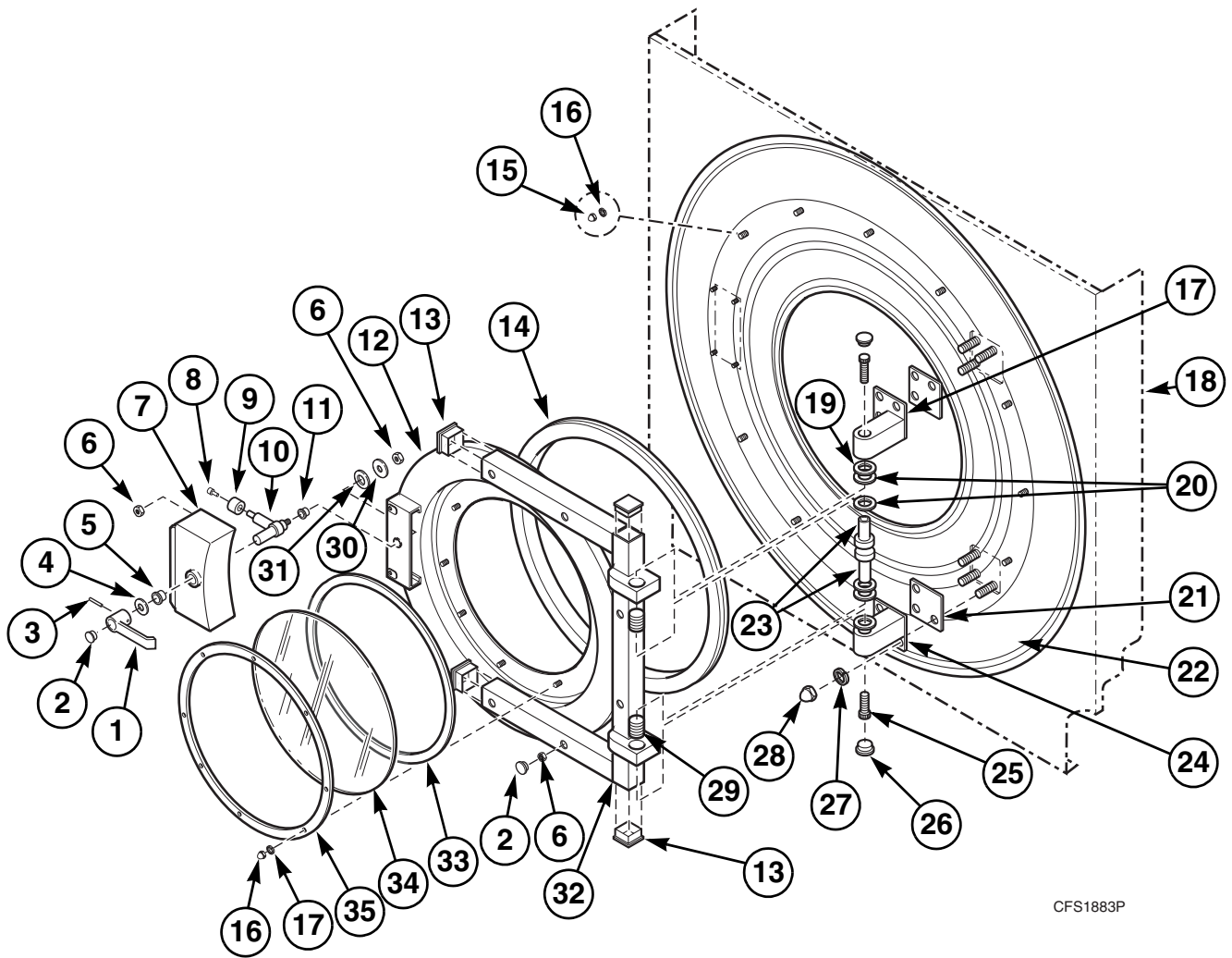
# Door Assembly

SF50PV and UF50PV; New Style; Used after 9/97

REF	PART #	DESCRIPTION	COMMENTS
	F746007-02	Door Retro Kit	Includes all items on this page
	F633978	Door Hinge Assembly	Includes items 3, 5-8, 10-13, 15, 18, 19, 21-24, 27, 28, 30 and 32-34
	F746503	Door Lock Pivot Kit	Includes items 1-12
1	F431222	Spring Pin	
2	F431907	Washer	
3	F280253	Bushing	
4	F431024	Locknut	
5	F340502	Switch Magnet	
6	F100145	Follower Cam	
7	F608536	Pivot Lock Weldment	
8	F280252	Bushing	
9	F190308	Cap Plug	1 1/2 inch
10	F633843	Door Weldment	
11	F431143	Washer	
12	F431142	Washer	
13	F170124-1	Door Gasket	
14	F290208	Door Glass	
15	F631651	Front Shell Weldment	
16	F431026	Nut	
17	F431100	Lockwasher	
18	F606539	Shell Front Cover	
19	F633931	Base Hinge Weldment	Upper
20	F431933	Washer	
21	F431934	Washer	
22	F631662	Shim	
23	F633932	Base Hinge Weldment	Lower
24	F432285	Screw	
25	F190309	Cap Plug	7/8 inch
26	F431001	Nut	
27	F432306	Hinge Pin	
28	F431047	Nut	
29	F430923	Screw	
30	F280293	Sleeve	
31	F140563	Plug	
32	F633746	Door Hinge Weldment	
33	F631670	Door Support Bracket Weldment	
34	F150225	Door Handle	

# Door Assembly

SF85PV and UF85PV; New Style; Used after 9/97



CFS1883P

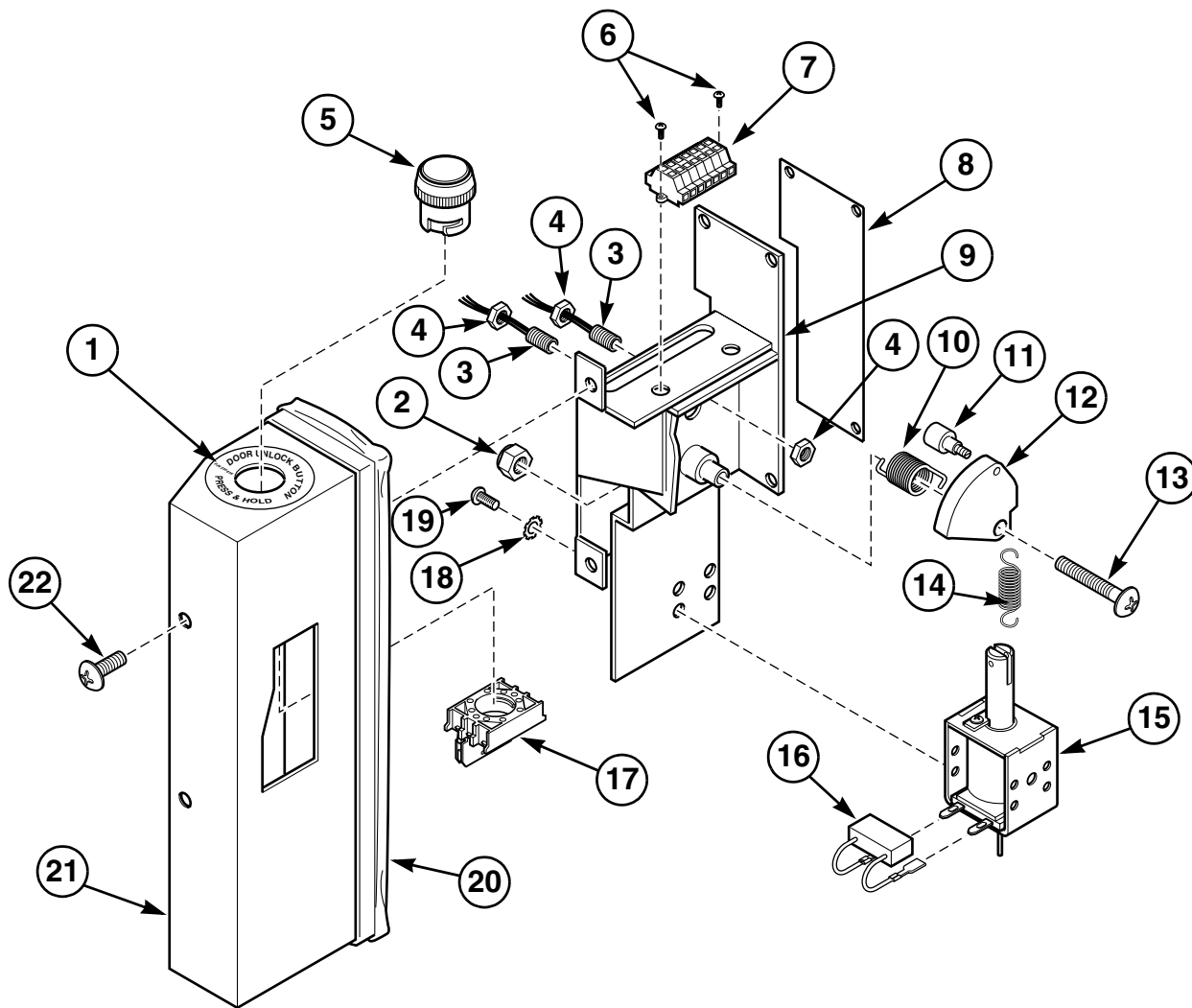


# Door Assembly

SF85PV and UF85PV; New Style; Used after 9/97

REF	PART #	DESCRIPTION	COMMENTS
	F746008-02	Door Retro Kit	Includes all items on this page
	F746503	Door Lock Pivot Kit	Includes items 3-5, 8-11, 14, 29 and 32
1	F150225	Door Handle	
2	F140563	Plug	
3	F431222	Spring Pin	
4	F431907	Washer	
5	F280253	Bushing	
6	F431024	Locknut	
7	F633698	Door Support Weldment	
8	F340502	Switch Magnet	
9	F100145	Follower Cam	
10	F608536	Pivot Lock Weldment	
11	F280252	Bushing	
12	F633692	Door Weldment	
13	F190308	Cap Plug	1 1/2 inch
14	F170167	Door Gasket	
15	F431026	Nut	
16	F431100	Lockwasher	
17	F631655	Base Hinge Weldment	Upper
18	F607386	Front Shell Cover	
19	F431933	Washer	
20	F431934	Washer	
21	F631662	Shim	
22	F631650	Front Shell Weldment	
23	F432306	Hinge Pin	
24	F631656	Base Hinge Weldment	Lower
25	F432285	Screw	
26	F190309	Cap Plug	7/8 inch
27	F431036	Locknut	
28	F431047	Nut	
29	F280293	Sleeve	
30	F431142	Washer	
31	F431143	Washer	
32	F633746	Door Hinge Weldment	
33	F170117	Door Glass Gasket	
34	F290201	Glass	
35	F601239	Door Glass Retainer	

# Door Lock

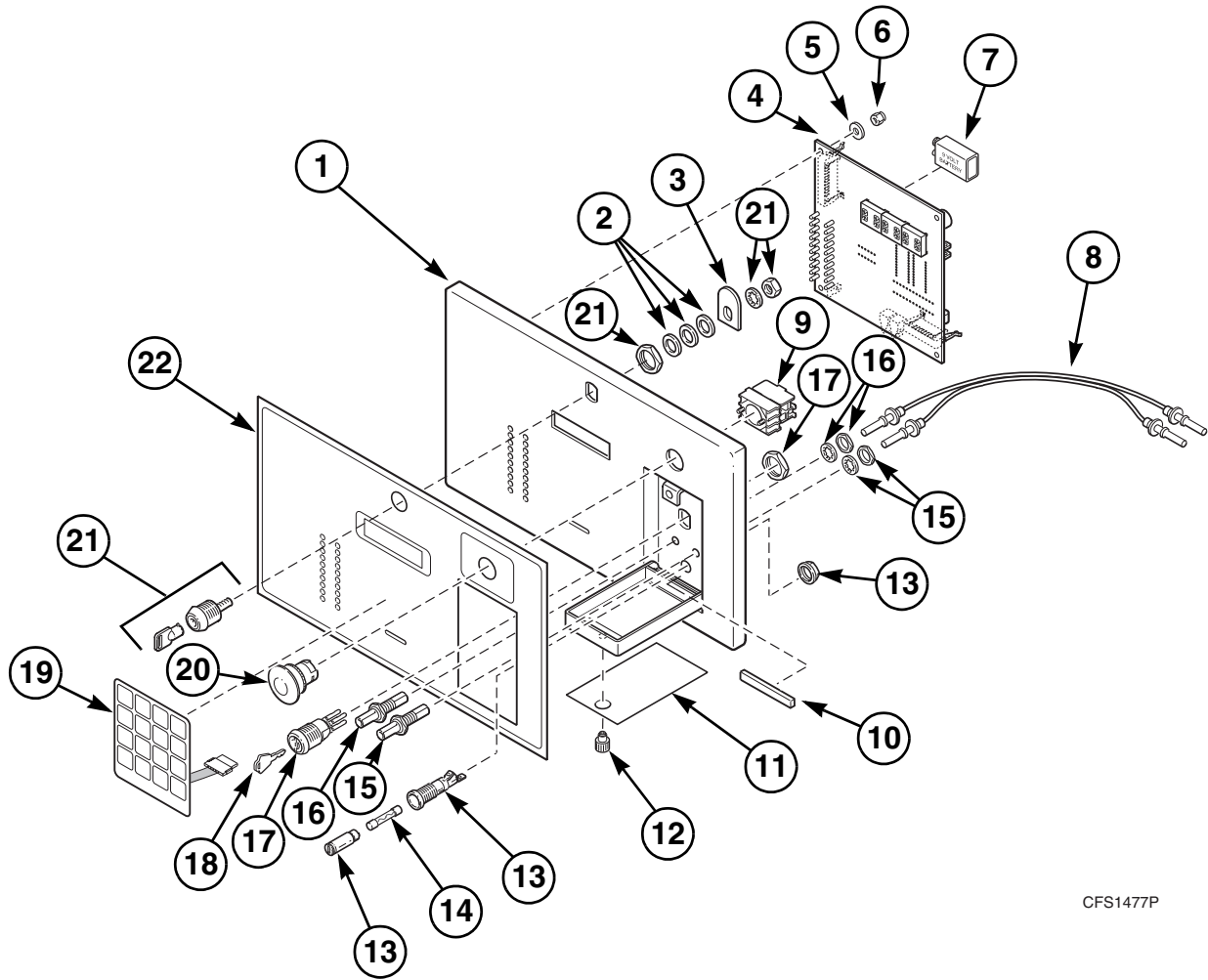


CFS1476P

# Door Lock

REF	PART #	DESCRIPTION	COMMENTS
	F730478	Door Lock Kit	Includes items 2, 3, 5, 6, 8-15, 17 and 18
1	F230816	Decal	Door unlock
2	F431024	Locknut	
3	F340503	Hall Effect Sensor Switch	
4	F430215	Locknut	
5	F340712	Momentary Pushbutton	
6	F430928	Screw	
7	F140766	Terminal	8-pole
8	F606563	Door Lock Shim	
9	F606540	Door Lock Bracket Weldment	
10	F310133	Door Cam Torsion Spring	
11	F340502	Switch Magnet	
12	F0150518-00	Door Lock Cam	
13	F430921	Screw	
14	F310107	Spring	
15	F300122	Intermittent Duty Solenoid	
16	F330217	RC Network Filter	
17	F340445	Contact Block Switch	
18	F431106	Lockwasher	
19	F430995	Screw	
20	F170404	Trim	
21	F606529	Door Lock Cover Weldment	
22	F430985	Screw	

# Control Module Front

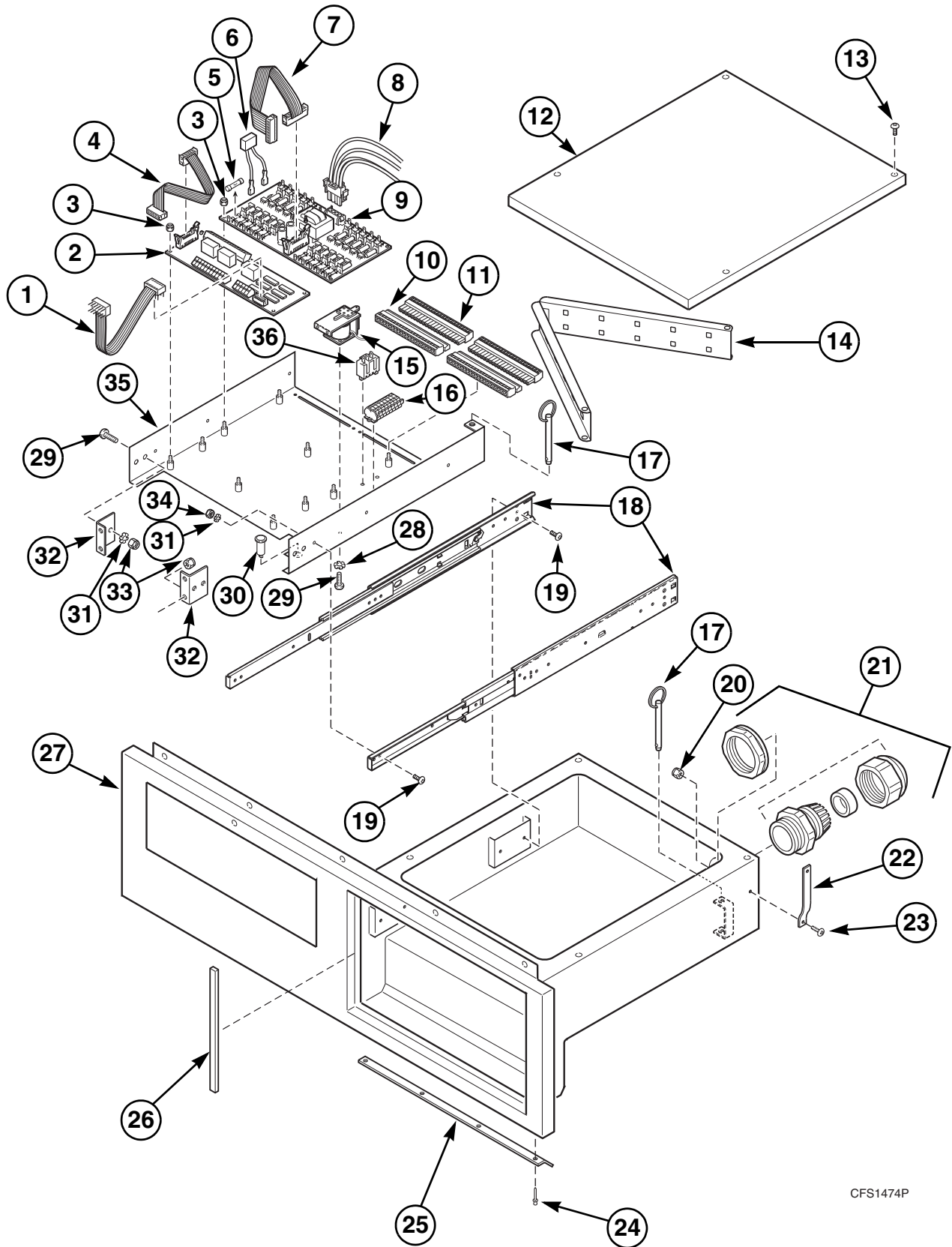


CFS1477P

## Control Module Front

REF	PART #	DESCRIPTION	COMMENTS
1	F631038	Module Face Weldment	
2	F430317	Washer	
3	F606295	Lock Latch	
4	F370534-20	WE-6 Computer	
5	F431113	Lockwasher	
6	F430231	Locknut	
7	F191101	Battery	
8	F606682	Cable Assembly	10 inches; Includes items 15 and 16
9	F340445	Contact Block Switch	
10	F170128	Sponge Rubber	Order 2 feet
11	F230785	Decal	Control and fuse
12	F430525	Screw	
13	F350304	Fuseholder	
14	F350104	Fuse	2 Amp
15	F140576	Connector	Blue
16	F140575	Connector	Gray
17	F340800	Run/Program Switch	
18	F370709	WE-6 Program Key	
19	F230724	Keypad Decal	
20	F340718	Emergency Stop Pushbutton	
21	F190802	Lid Lock	Includes key
22	F230783-2	Decal	Control panel

# Control Module



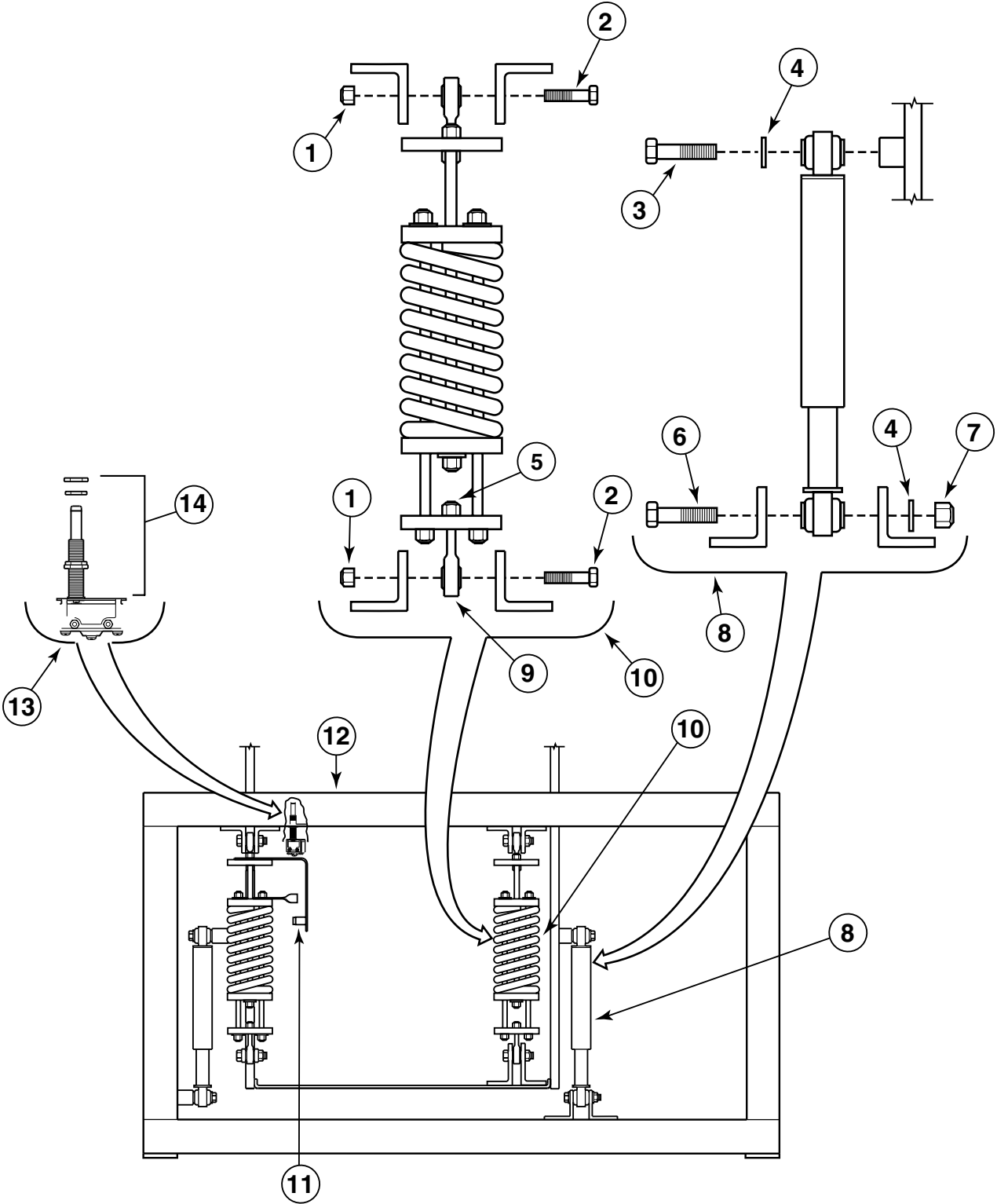
CFS1474P

# Control Module

REF	PART #	DESCRIPTION	COMMENTS
1	F140223	Ribbon Cable	8 inch; 16 pin
2	F370446	WE-6 Interface CCA	
3	F430231	Locknut	
4	F140218	Ribbon Cable	12 inch; 16 pin
5	F350110	Fuse	1 Amp
	F350109	Fuse	.5 Amp
	F350108	Fuse	.125 Amp
6	F330217	RC Network Filter	
7	F140219	Ribbon Cable	15 inch; 26 pin
8	F784003	Jumper Kit	
9	F370443	Output CCA	
10	F140622	Connector	24 circuit; 2 per machine
	F141003	Connector	12 circuit; 1 per machine
11	F140623	Connector	24 circuit; 2 per machine
	F141002	Connector	12 circuit; 1 per machine
12	F606543	Electrical Box Cover	
13	F430976	Screw	
14	F606397	Cable Guide Weldment	
15	F300203	Buzzer	120 Volt
16	F140779	Terminal	16 position
17	F430407	Ring-Grip Pin	
18	F190217	Ball Bearing Set Slide	13-11/16 inches; Used after 1999
	F190204	Ball Bearing Set Slide	14 inches; Used before 1999
19	F430920	Screw	
20	F430215	Locknut	
21	F140341	Strain Relief Connector	PG36
22	F606586	Electrical Box Support Bracket	
23	F430925	Screw	
24	F432222	Rivet	
25	F170407	Trim	SF35PV, UF35PV, SF50PV and UF50PV
	F170406	Trim	SF85PV and UF85PV
26	F170128	Sponge Rubber	Order 5 feet
27	F608393	Front Panel Weldment	SF35PV and UF35PV
	F608396	Front Panel Weldment	SF50PV and UF50PV
	F608399	Front Panel Weldment	SF85PV and UF85PV
28	F431113	Lockwasher	
29	F430928	Screw	
30	F350412	Light	Red
31	F431108	Lockwasher	
32	F606309	Module Face Bracket	
33	F431017	Locknut	
34	F430220	Locknut	
35	F630251	Electrical Panel Weldment	
36	F330227	Flange Relay	120 Volt; 4 per SF35PV, UF35PV, SF50PV and UF50PV; 5 per SF85PV and UF85PV

# Suspension System

SF35PV and UF35PV



R005PE3D



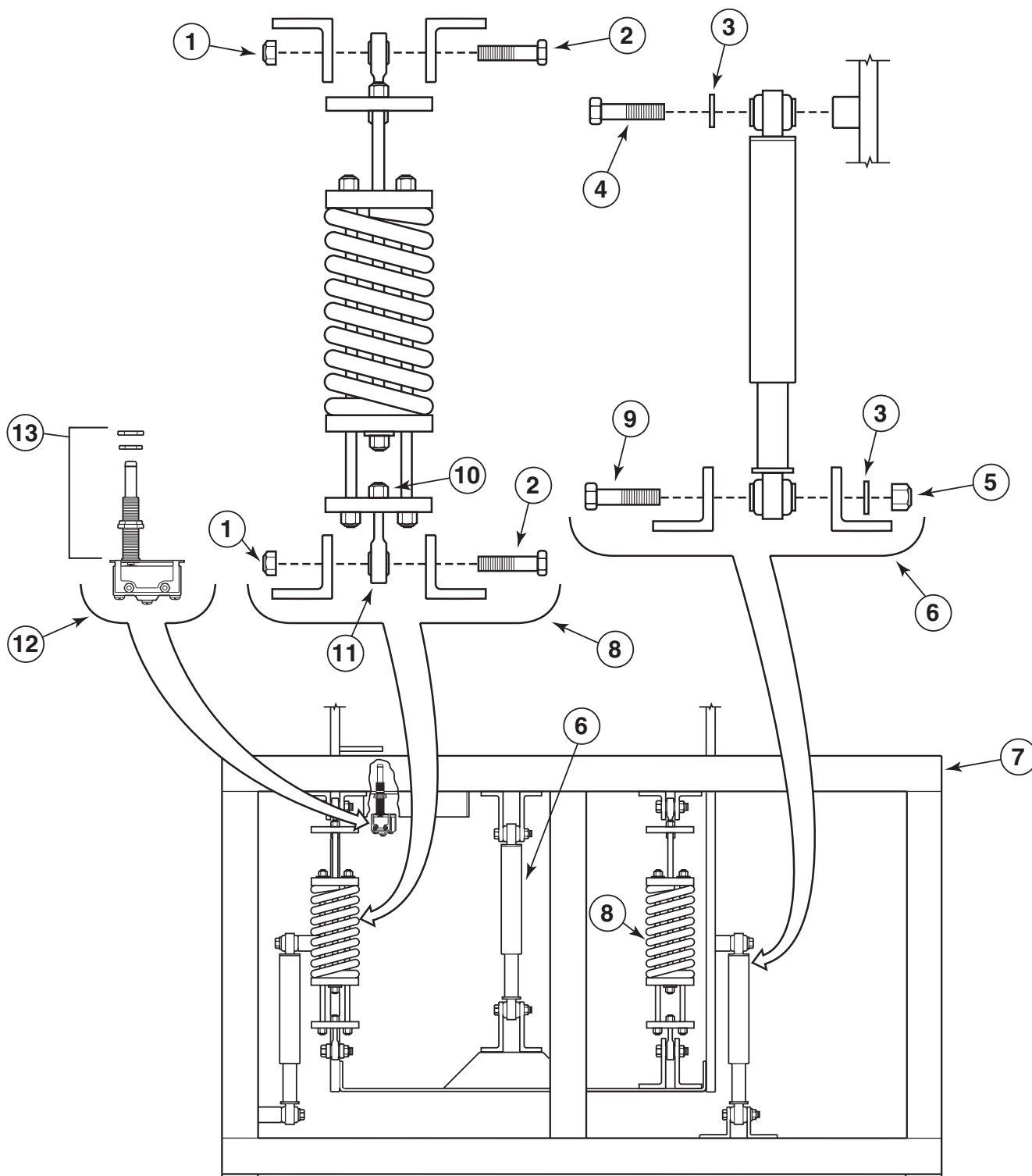
# Suspension System

SF35PV and UF35PV

REF	PART #	DESCRIPTION	COMMENTS
1	F430218	Locknut	
2	F430144	Screw	
3	F430148	Screw	
4	F430332	Washer	
5	F430241	Locknut	
6	F430146	Screw	
7	F430228	Nut	
8	F250500	Shock Absorber	4 per machine
9	F100140	Rod End Bearing	
10	F790504	Spring Kit	Includes 1 spring; Includes items 1, 2, 5, 9 and all hardware shown
	F790505SUB	Spring Kit Subassembly	Includes 1 spring and out-of-balance bracket; Includes items 1, 2, 5, 9 and all hardware shown
11	F730438	Out-of-Balance Optical Sensor Kit	
12	F606689	Frame Assembly	
13	F340901	Door Hinge Switch	
14	F340913	Switch Extension	

# Suspension System

SF50PV and UF50PV



R004PE3C

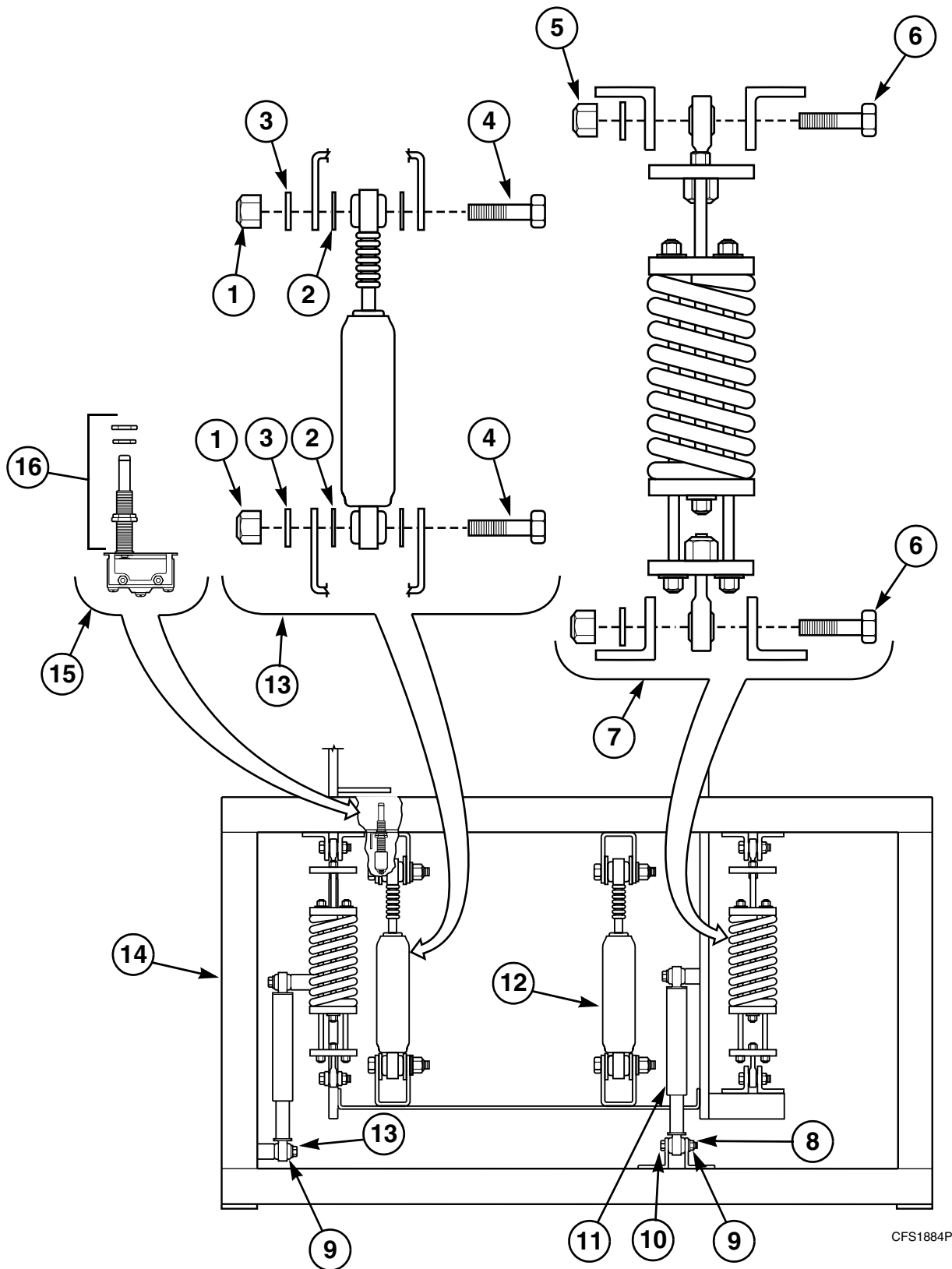
# Suspension System

SF50PV and UF50PV

REF	PART #	DESCRIPTION	COMMENTS
1	F430218	Locknut	
2	F430144	Screw	
3	F430332	Washer	
4	F430148	Screw	
5	F430228	Nut	
6	F250500	Shock Absorber	6 per machine
7	F605911	Frame Assembly	
8	F790506	Spring Kit	Includes 1 spring
	F790507	Spring Kit	Includes 1 spring and 1 balance bracket
9	F430146	Screw	
10	F430241	Locknut	
11	F100140	Rod End Bearing	
12	F340901	Door Hinge Switch	
13	F340913	Switch Extension	

# Suspension System

SF85PV and UF85PV



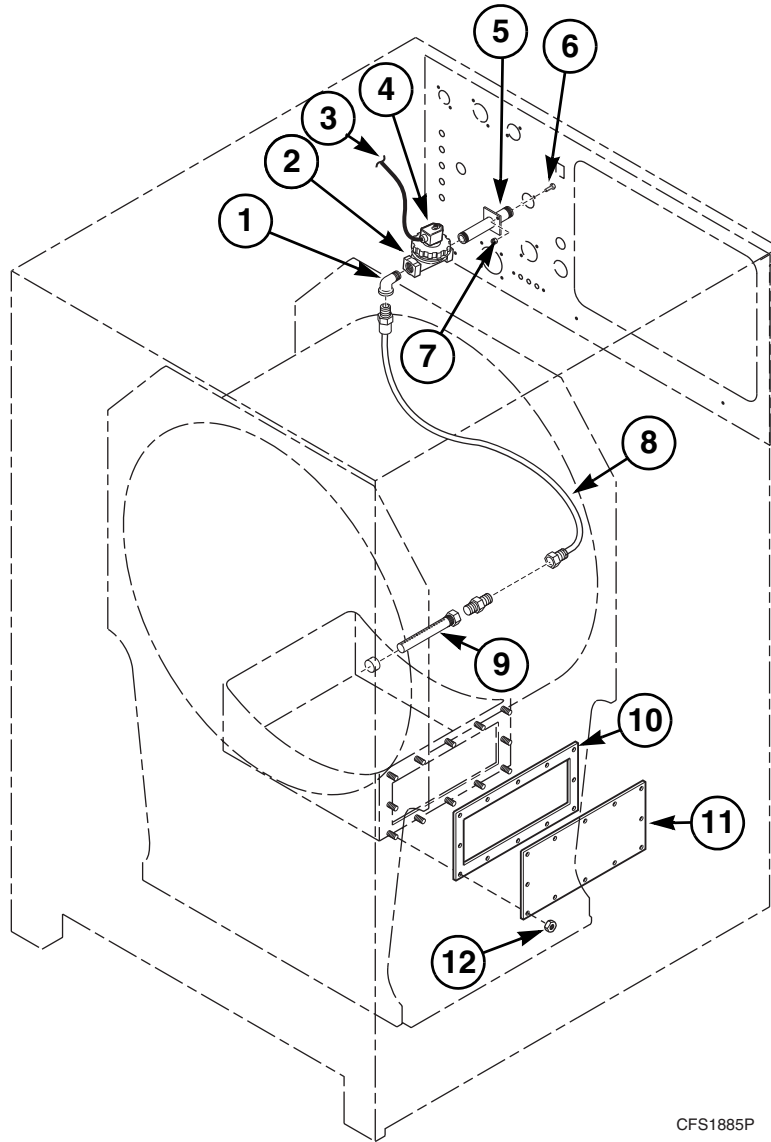
CFS1884P

# Suspension System

SF85PV and UF85PV

REF	PART #	DESCRIPTION	COMMENTS
1	F430201	Locknut	
2	F431920	Washer	
3	F430325	Washer	
4	F430157	Screw	
5	F430239	Locknut	
6	F430979	Screw	
7	F790502	Spring Kit	1 spring
	F790503	Spring Assembly Kit	1 spring and 1 out-of-balance bracket
8	F430146	Screw	
9	F430332	Washer	
10	F430228	Nut	
11	F250500	Shock Absorber	4 per machine
12	F250501	Shock Absorber	4 per machine
13	F430148	Screw	
14	F607313	Frame Assembly	
15	F340901	Door Hinge Switch	
16	F340913	Switch Extension	

# Steam Heat Option

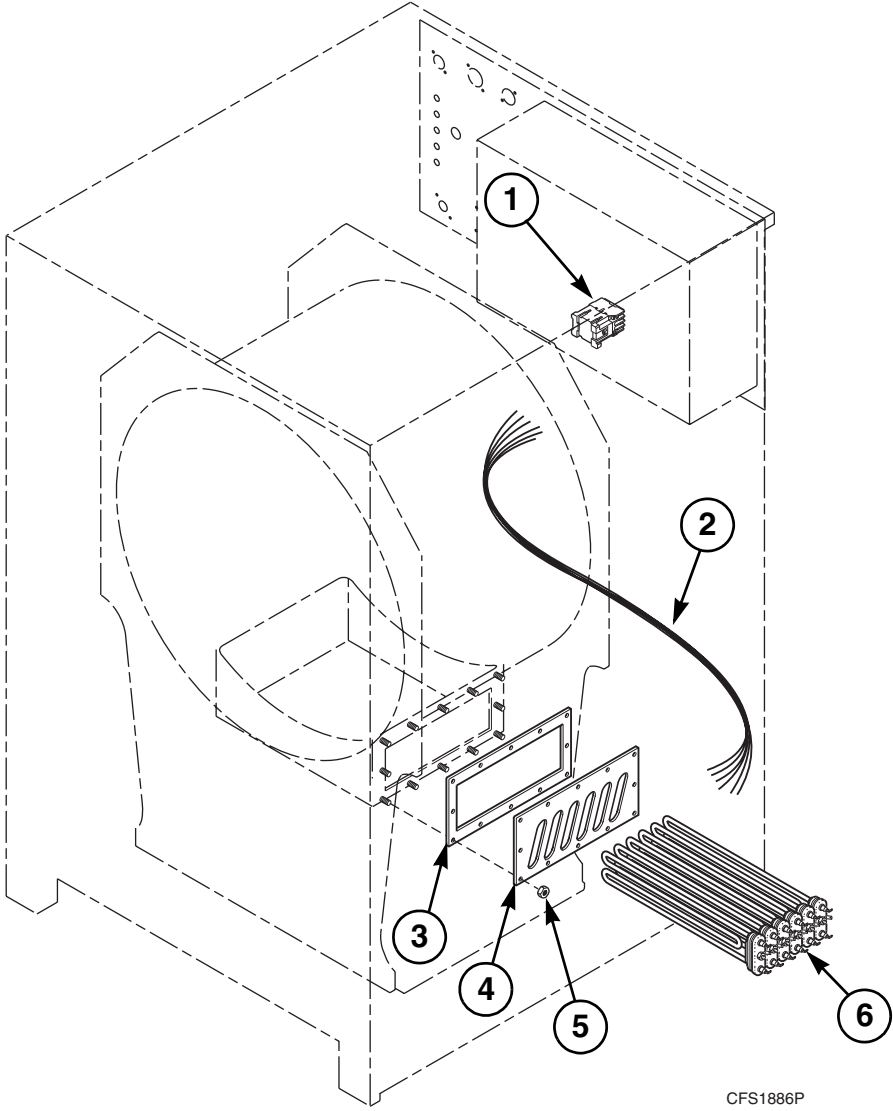


CFS1885P

## Steam Heat Option

REF	PART #	DESCRIPTION	COMMENTS
	F730548	Steam Heat Kit	Includes items 1, 2, and 5-9
1	F421103	Elbow	
2	F380786	Steam Valve	Includes item 4
	F380984	Steam Valve Repair Kit	
3	F140227	Cable	Order 10 feet
4	F380986	Coil	
5	F606575	Steam Connection Weldment	
6	F430925	Screw	
7	F430215	Locknut	
8	F200154	Hose	SF35PV, UF35PV, SF50PV and UF50PV
	F200153	Hose	SF85PV and UF85PV
9	F603131	Steam Injector Tube Assembly	
10	F170177	Gasket	UF35PV and SF35PV
	F170178	Gasket	UF50PV and SF50PV
	F170179	Gasket	UF85PV and SF85PV
11	F631492	Plate	Standard; UF35PV and SF35PV
	F631726	Plate	Standard; UF50PV and SF50PV
	F631742	Plate	Standard; UF85PV and SF85PV
	F360202	Heating Element Plug	Optional; 6 for SF35PV and UF35PV, 9 for SF50PV and UF50PV and 12 for SF85PV and UF85PV
12	F431024	Locknut	12 used on UF35PV, SF35PV, UF50PV and SF50PV; 14 used on UF85PV and SF85PV

# Electric Heat Option





## Electric Heat Option

REF	PART #	DESCRIPTION	COMMENTS
	F730447	Electric Heat Kit	SF35PV and UF35PV, 400 Volt; Includes items 1-6
	F730448	Electric Heat Kit	SF50PV and UF50PV; 400 Volt; Includes items 1-6
	F730449	Electric Heat Kit	SF85PV and UF85PV; 400 Volt; Includes items 1-6
<b>1</b>	F330187	Contactora	120 Volt
<b>2</b>	F607745-2	Electric Heat Wiring Harness	SF35PV and UF35PV
	F607748-2	Electric Heat Wiring Harness	SF50PV and UF50PV
	F607749-2	Electric Heat Wiring Harness	SF85PV and UF85PV
<b>3</b>	F170177	Gasket	SF35PV and UF35PV
	F170178	Gasket	SF50PV and UF50PV
	F170179	Gasket	SF85PV and UF85PV
<b>4</b>	F631457	Plate	SF35PV and UF35PV
	F631702	Plate	SF50PV and UF50PV
	F631740	Plate	SF85PV and UF85PV
<b>5</b>	F431024	Locknut	12 used on SF35PV, UF35PV, SF50PV and UF50PV; 14 used on SF85PV and UF85PV
<b>6</b>	F360205	Electric Heat Element	240 Volt; 6 for SF35PV and UF35PV, 9 for SF50PV and UF50PV and 12 for SF85PV and UF85PV



# Parts Index

## A

AC Drive Box Assembly	
F0634607-00.....	21
Air Duct Assembly	
F635257.....	17
Airtrap Hose	
F200142.....	33
F200163.....	33

## B

Ball Bearing Set Slide	
F190204.....	45
F190217.....	45
Base Hinge Weldment	
F631655.....	39
F631656.....	39
F633931.....	35, 37
F633932.....	35, 37
Basket Assembly	
F605822.....	13
F606693.....	13
F607248.....	13
Basket Pulley	
F150245.....	11
F150253.....	11
F150280.....	11
Battery	
F191101.....	43
Belt	
F0280378-00.....	11
F280357.....	11
F280361.....	11
F280362.....	11
F280363.....	11
Bolt	
F430952.....	11
Bushing	
F280233.....	11
F280252.....	35, 37, 39
F280253.....	35, 37, 39
F280260.....	11
Buzzer	
F300203.....	45

## C

Cable	
F140227.....	53
Cable Assembly	
F606682.....	43
Cable Guide Weldment	
F606397.....	45
Cap Nut	
F431026.....	7
Cap Plug	
F190308.....	35, 37, 39
F190309.....	35, 37, 39

Capictor Module	
F370236.....	17
F370237.....	17

Caplug	
F180485.....	17, 21, 29
F180486.....	17, 21, 31
F180507.....	17, 31

Circuit Breaker	
F350201.....	17, 21
F350202.....	17, 21

Clamp	
F140645.....	33
F200207.....	29, 31
F200213.....	9, 33
F200215.....	9, 33
F200217.....	29, 31
F200222.....	29, 31, 33

Coil	
F380986.....	53

Connector	
F140575.....	43
F140576.....	43
F140622.....	45
F140623.....	45
F141002.....	45
F141003.....	45

Contact Block Switch	
F340445.....	41, 43

Contacto	
F330175.....	17
F330178.....	21
F330187.....	55

Cover	
F607373.....	25
F631705.....	23
F631741.....	23
F633001.....	25

Cover Plate	
F605985F.....	11

## D

Decal	
F230202.....	5
F230206.....	5
F230208.....	5
F230217.....	5
F230630.....	5, 17, 21
F230677.....	17
F230764-6.....	17, 21
F230783-2.....	43
F230785.....	43
F230806.....	27
F230816.....	5, 41
F230831.....	5
F230856.....	5
F230857.....	5
F230877.....	5
F231065.....	5
F231147.....	5
F231148.....	5
F231150.....	5
F231225.....	27

F231271	21
F231271-1	17
F231345-4	17, 21
F231379	17
F231416	17
F231434	17, 21
F231437	21
Dispenser Cover F606728	27
Dispenser Cover Kit F749801	27
Dispenser Cover Weldment F606324	27
Dispenser Gasket F606804	27
F607060	27
Dispenser Support Bracket F609663	27
Door Cam Torsion Spring F310133	41
Door Gasket F170123-1	35
F170124-1	37
F170167	39
Door Glass F290207	35
Door Glass Gasket F170117	39
Door Glass Kit F290208P	37
Door Glass Retainer F601239	39
Door Handle F150225	35, 37, 39
Door Hinge Assembly F633978	37
F634027	35
Door Hinge Switch F340901	47, 49, 51
Door Hinge Weldment F633746	37, 39
Door Lock Bracket Weldment F606540	41
Door Lock Cam F0150518-00	41
Door Lock Cover Weldment F606529	41
Door Lock Kit F730478	41
Door Lock Pivot Kit F746503	35, 37, 39
Door Lock Shim F606563	41
Door Retro Kit F746006-02	35
F746007-02	37
F746008-02	39
Door Support Bracket Weldment F631670	35, 37
Door Support Weldment F633698	39
Door Weldment F633692	39
F633843	37
F634002	35

Drain Motor Cover F380946	33
Drain Support Bracket F606647	33
Drain Valve F380628	33
Drive Box Assembly F634605	17

---

## E

Elbow F421103	53
Electric Heat Element F360205	55
Electric Heat Kit F730447	55
F730448	55
F730449	55
Electric Heat Wiring Harness F607745-2	55
F607748-2	55
F607749-2	55
Electrical Box Cover F606543	45
Electrical Box Support Bracket F606586	45
Electrical Panel Weldment F630251	45
Emergency Stop Pushbutton F340718	43
End Anchor F330530	17, 21

---

## F

Fan F110106	23, 25
Filter F0270321-00	9, 23, 25
Filter Retainer Guard F220900	9, 23, 25
Flange Relay F330227	45
Flat Plastic F170406	7
F170407	7
Follower Cam F100145	35, 37, 39
Frame Assembly F605911	49
F606689	47
F607313	51
Front Column F606315	7
F606316	7
F606730	7
F606731	7
F607341	7
F607342	7

Front Cover	
F606317 .....	7
F606732 .....	7
F607338 .....	7
Front Panel Weldment	
F608393 .....	45
F608396 .....	45
F608399 .....	45
Front Shell Cover	
F607386 .....	39
Front Shell Weldment	
F631650 .....	39
F631651 .....	37
F633684 .....	35
Fuse	
F350104 .....	43
F350108 .....	45
F350109 .....	45
F350110 .....	45
Fuseholder	
F0350312-00 .....	17
F0350312-10 .....	21
F350304 .....	43

## G

Gasket	
F170176 .....	23, 25
F170177 .....	53, 55
F170178 .....	7, 53, 55
F170179 .....	53, 55
Gasket Cover	
F606323 .....	27
F606729 .....	27
F607059 .....	27
Glass	
F290201 .....	39
Ground Terminal Lug	
F140734 .....	17, 21

## H

Hall Effect Sensor Switch	
F340503 .....	41
Harness Assembly	
F141873 .....	21
Heating Element Plug	
F360202 .....	53
Hinge	
F190202 .....	27
F190205 .....	27
F190209 .....	23, 25
Hinge Door Weldment	
F633944 .....	35
Hinge Pin	
F432306 .....	35, 37, 39
Hose	
F150356 .....	33
F150411 .....	33
F150415 .....	33
F200128 .....	29
F200153 .....	53
F200154 .....	53
F200155 .....	31

F200169 .....	33
F200170 .....	33
F200171 .....	33
F200172 .....	33
F200173 .....	33
F200175 .....	33
F200199 .....	29, 31
F200509 .....	31

Hose Barb	
F421952 .....	31
F421964 .....	31

## I

Idler Arm	
F280275 .....	11
Idler Bushing	
F280414 .....	11
Injection Nozzle	
F380300 .....	27, 29, 31
F730168 .....	29
Injection Nozzle Kit	
F730168 .....	31
Input Terminal Block	
F140770 .....	17, 21
Intermittent Duty Solenoid	
F300122 .....	41
Inverter Drive	
F370815 .....	19
F370816 .....	19
F370818 .....	19
F370835 .....	21
F370838 .....	19, 21
F370843 .....	19
F370844 .....	19
F370853 .....	19
F370857 .....	19
F370858 .....	19

## J

Jumper Kit	
F784003 .....	45

## K

Key	
F160562 .....	23, 25
F430808 .....	11
F430812 .....	11
Keypad Decal	
F230724 .....	43

## L

Label	
81968R1 .....	5
Latch	
F606607 .....	27
Lid Lock	
F190802 .....	23, 25, 43

Light	F350412.....	45
Lock Latch	F606295.....	23, 25, 43
Locknut	F430201.....	11, 51
	F430202.....	11
	F430215.....	7, 9, 31, 33, 41, 45, 53
	F430218.....	11, 47, 49
	F430220.....	31, 45
	F430231.....	9, 23, 25, 43, 45
	F430232.....	25, 29, 31
	F430239.....	11, 51
	F430241.....	47, 49
	F431017.....	45
	F431024.....	27, 35, 37, 39, 41, 53, 55
	F431036.....	39
Lockwasher	F431100.....	7, 11, 35, 37, 39
	F431106.....	41
	F431108.....	27, 45
	F431113.....	23, 25, 43, 45

## M

Module Face Bracket	F606309.....	45
Module Face Weldment	F631038.....	43
Momentary Pushbutton	F340712.....	41
Motor	F0220439-00.....	15
	F220214U.....	15
	F220215M.....	15
	F220215U.....	15
	F220217.....	15
	F220236.....	15
	F220434.....	15
	F220438.....	15
Motor Pulley	F280285.....	11
Motor Spacer	F432288.....	11
	F432289.....	11
Mounting Rail	F602595-1.....	17
	F602595-2.....	17
	F610843.....	17
	F610845.....	21
Muffin Fan	F110106.....	9

## N

Nipple	F420118.....	31
Nipple Weldment	F607515.....	31
	F607532.....	31
	F609279.....	31

Nut	F430215.....	7
	F430224.....	29, 31
	F430228.....	47, 49, 51
	F430240.....	11
	F431000.....	27
	F431001.....	27, 29, 31, 35, 37
	F431005.....	27
	F431026.....	35, 37, 39
	F431047.....	35, 37, 39

## O

1-Way Valve	F380763.....	29
	F380953.....	29
	F381700.....	29
	F381702.....	29
	F381727.....	31
O-Ring	F170208.....	31
Out-of-Balance Optical Sensor Kit	F730438.....	47
Output CCA	F370443.....	45
Overflow Hose	F150377.....	33
	F150394.....	33

## P

Pivot Lock Weldment	F608536.....	35, 37, 39
Plate	F631457.....	55
	F631492.....	53
	F631702.....	55
	F631726.....	53
	F631740.....	55
	F631742.....	53
Plug	F140526.....	17, 21
	F140563.....	35, 37, 39
	F150352.....	9
	F150443.....	9
	F180502.....	29
	F180505.....	29, 31
Plug Hose	F607461.....	33
Pulley	F280103.....	11
	F280273.....	11
	F280296.....	11
	F280415.....	11

## R

RC Network Filter	F330217.....	21, 41, 45
Rear Cover	F607335.....	9
	F631695.....	9
	F631696.....	9

Rear Panel	
F631454.....	9
F633023.....	9
F635616.....	9
Reducer Bushing	
F421936.....	33
Ribbon Cable	
F140218.....	45
F140219.....	45
F140223.....	45
Ring-Grip Pin	
F430407.....	45
Rivet	
F432222.....	7, 45
Rod End Bearing	
F100140.....	47, 49
Rub Rail	
F150404.....	7
F150405.....	7
F150406.....	7
Run/Program Switch	
F340800.....	43

## S

Screw	
F430103.....	33
F430144.....	47, 49
F430146.....	47, 49, 51
F430148.....	47, 49, 51
F430157.....	51
F430174.....	9
F430179.....	9, 27, 31
F430183.....	11
F430500.....	7
F430525.....	43
F430909.....	29, 31
F430916.....	9
F430920.....	45
F430921.....	7, 41
F430923.....	35, 37
F430925.....	7, 9, 31, 45, 53
F430928.....	23, 25, 41, 45
F430939.....	11, 27
F430947.....	11
F430976.....	23, 25, 45
F430979.....	51
F430985.....	41
F430986.....	9
F430987.....	11
F430995.....	41
F432229.....	27
F432231.....	23, 25
F432285.....	35, 37, 39
F606612.....	27
Seal	
F100251.....	13
Shell Assembly	
F605871-2.....	15
F606705-2.....	15
F607471-3.....	15
Shell Assembly Replacement Kit	
F0636274-01.....	15
F0636275-01.....	15
F0636276-01.....	15

Shell Band Assembly	
F603229.....	7
F603656.....	7
F603910.....	7
F603911.....	7
Shell Band Gasket	
F170120.....	7
Shell Band Seal	
F170125.....	7
Shell Front Cover	
F606539.....	7, 37
F607036.....	7, 35
F607386.....	7
Shell Front Weldment	
F631650.....	7
F631651.....	7
F633684.....	7
Shim	
F631662.....	35, 37, 39
Shock Absorber	
F250500.....	47, 49, 51
F250501.....	51
Side Panel	
F606718.....	9
F607339.....	9
Side Panel Kit	
F730399.....	9
Siphon Tube	
F150390.....	27
Sleeve	
F280293.....	35, 37, 39
Sponge Rubber	
F170128.....	7, 43, 45
Spring	
F310107.....	41
Spring Assembly Kit	
F790503.....	51
Spring Kit	
F790502.....	51
F790504.....	47
F790506.....	49
F790507.....	49
Spring Kit Subassembly	
F790505SUB.....	47
Spring Pin	
F431222.....	35, 37, 39
Steam Connection Weldment	
F606575.....	53
Steam Heat Kit	
F730548.....	53
Steam Injector Tube Assembly	
F603131.....	53
Steam Valve	
F380786.....	53
Steam Valve Repair Kit	
F380984.....	53
Strain Relief Connector	
F140224.....	17, 21
F140329.....	33
F140331.....	11, 17
F140341.....	17, 45
Sump Plug Weldment	
F607460.....	33
Supply Dispenser Assembly	
F606048.....	27

Supply Dispenser Bracket F609664 .....	27
Supply Dispenser Cup F150368 .....	27
F150369 .....	27
Supply Dispenser Kit F749001 .....	27
Supply Dispenser Weldment F607022-2 .....	27
F607052-1 .....	27
Supply Valve Plate F607518 .....	31
Switch Extension F340913 .....	47, 49, 51
Switch Magnet F340502 .....	35, 37, 39, 41

## T

Tag F230560 .....	5
Tee F420415 .....	31
Temperature Probe F370606 .....	33
Temperature Sensor Bracket F635441 .....	17
Terminal F140766 .....	41
Terminal Block F140782 .....	17, 21
Thermostat F290114 .....	17
3-Way Valve F380951 .....	29, 31
F381725 .....	29
Top Cover F605920 .....	9
F606719 .....	9
F634140 .....	9
Top Frame Weldment F605823 .....	9
F606723 .....	9
F634143 .....	9
Transformer F360124 .....	17, 21
Trim F170404 .....	41
F170406 .....	45
F170407 .....	45
Trunnion Kit F730387-1 .....	11
F730425-1 .....	11
F730435 .....	11
Tubing F200168 .....	29, 31
F602794-1 .....	33

## V

Vacuum Breaker Weldment F606031 .....	29
F607489 .....	31

Vent Shield Assembly F0636279-00 .....	21
V-Ring Rear Seal F100245 .....	11
F100249 .....	11
F100250 .....	11
V-Ring Seal F100243 .....	13
F100245 .....	13

## W

Washer F430131 .....	11
F430317 .....	43
F430319 .....	11
F430325 .....	11, 51
F430326 .....	11
F430332 .....	47, 49, 51
F430347 .....	7
F431105 .....	27
F431125 .....	23, 25
F431131 .....	27, 29
F431142 .....	35, 37, 39
F431143 .....	35, 37, 39
F431907 .....	35, 37, 39
F431920 .....	51
F431933 .....	35, 37, 39
F431934 .....	35, 37, 39
20290 .....	29
Water Connection Inlet Manifold F150246 .....	29
F150247 .....	29
Water Level Switch F0340340-10 .....	17
F0340343-10 .....	17
F0340345-10 .....	21
WE-6 Computer F370534-20 .....	43
WE-6 Interface Board CCA F370446 .....	45
WE-6 Program Key F370709 .....	43