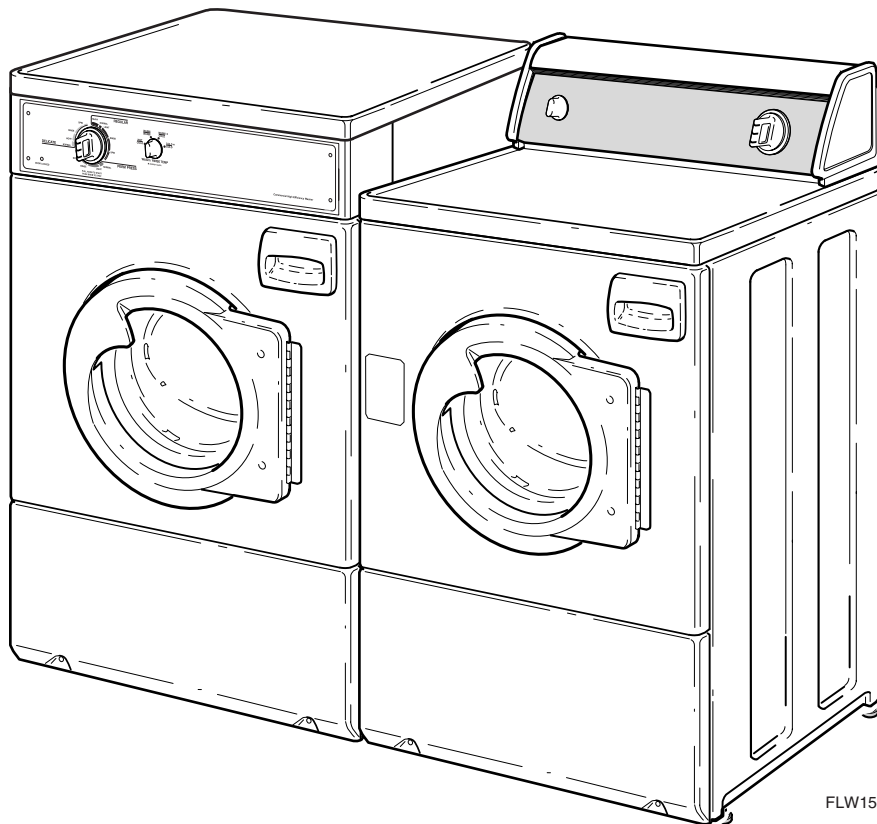


# Homestyle Frontload Washers

Refer to Page 3 for Model Numbers



FLW1509C



# Table of Contents

Title	Page
Parts Ordering Information .....	2
Nameplate Location .....	2
Model Identification .....	3
Graphic Panel, Control Mounting Plate and Controls .....	4
Cabinet Top and Control Hood Rear Panel .....	6
Cabinet Top, Control Panel and Controls .....	8
Front Panel, Door Assembly and Door Seal .....	10
Front Panel, Door Assembly and Door Seal .....	12
Dispenser Assembly .....	14
Mixing Valve, Inlet Hose and Dispenser Hose .....	16
Outer Tub, Front, Clamp Ring and Inner Basket .....	18
Bearing Housing Assembly and Pulley .....	20
Motor and Belt .....	22
Hoses and Pump .....	24
Drain Hose and Pump .....	26
Base, Side Panels and Rear Panel .....	28
Labels .....	30
Shipping Materials .....	32
Wire Ties, Harness Clips, Power Cord and Tool .....	34
Wire Harnesses and Wires .....	36
Parts Index .....	37

© Copyright 2002, Alliance Laundry Systems LLC

All rights reserved. No part of the contents of this book may be reproduced or transmitted in any form or by any means without the expressed written consent of the publisher.

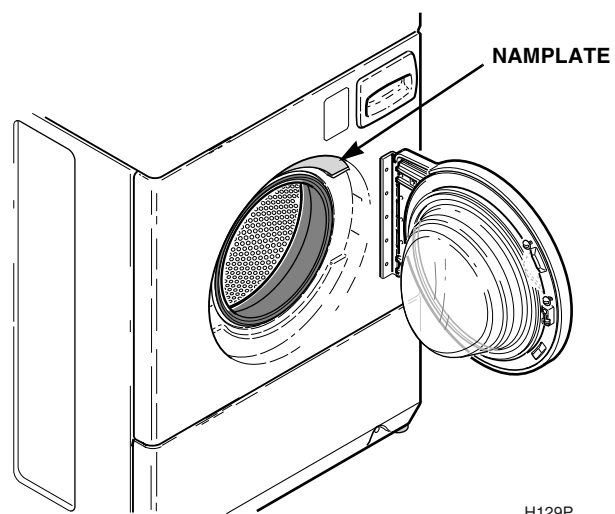
## Parts Ordering Information

If literature or replacement parts are required, contact the source from whom the machine was purchased or contact Alliance Laundry Systems at (920) 748-3950 for the name and address of the nearest authorized parts distributor.

For technical assistance, call (920) 748-3121.

## Nameplate Location

When calling or writing about your product, be sure to mention model and serial numbers. Model and serial numbers are located on nameplate(s) as shown.



H129P

# Model Identification

Information in this manual is applicable to these machines:

FTS80A\*H

FTU80A\*H

FTZ80A\*H

LTS80A\*E

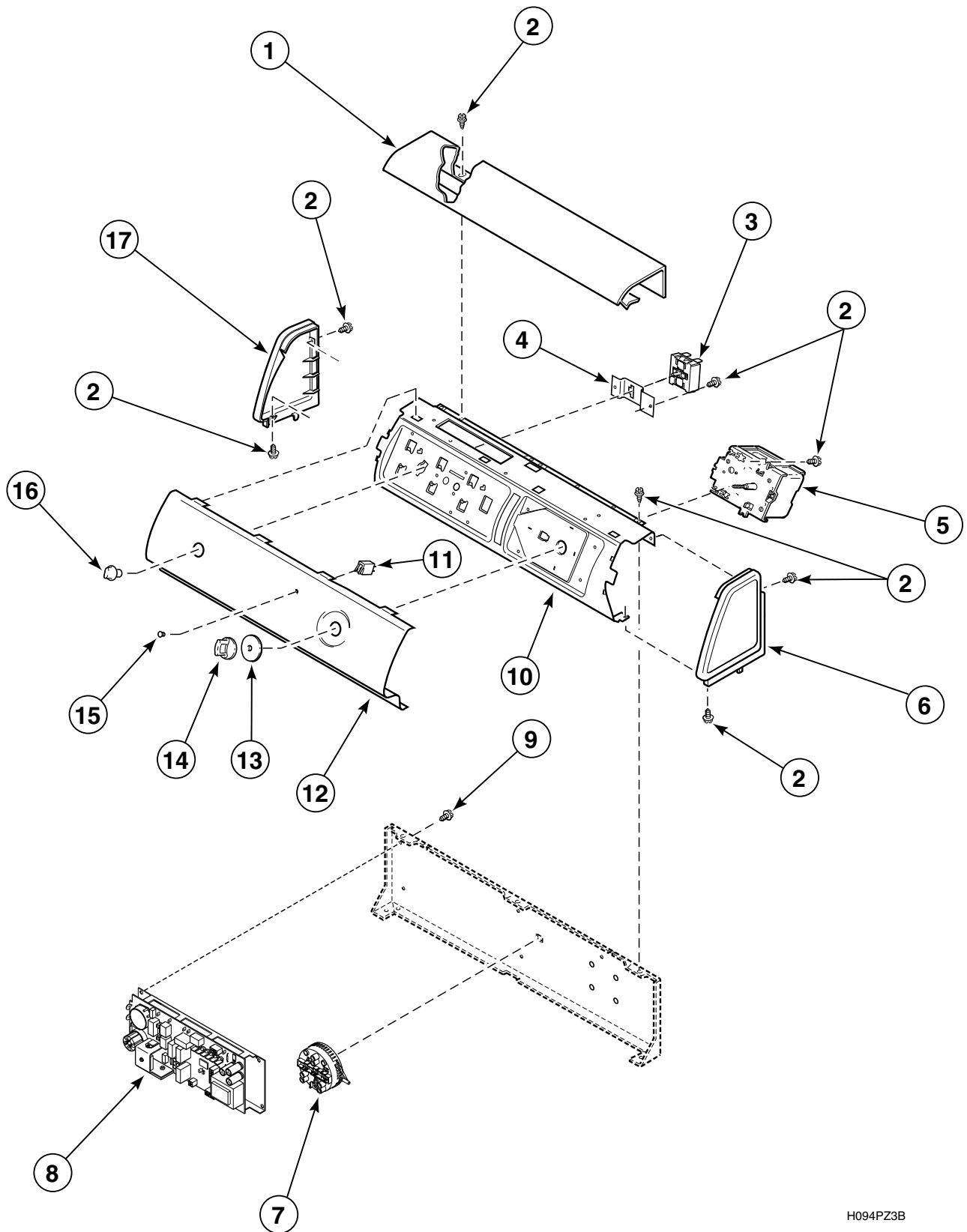
LTS80A\*H

LTZ80A\*H1102

**\* Add Letter To Designate Color. L – Almond W – White Q – Bisque**

# Graphic Panel, Control Mounting Plate and Controls

Models LTS80A\*E, LTS80A\*H and LTZ80A\*H1102



H094PZ3B

\* Add Letter To Designate Color. L – Almond W – White Q – Bisque

# Graphic Panel, Control Mounting Plate and Controls

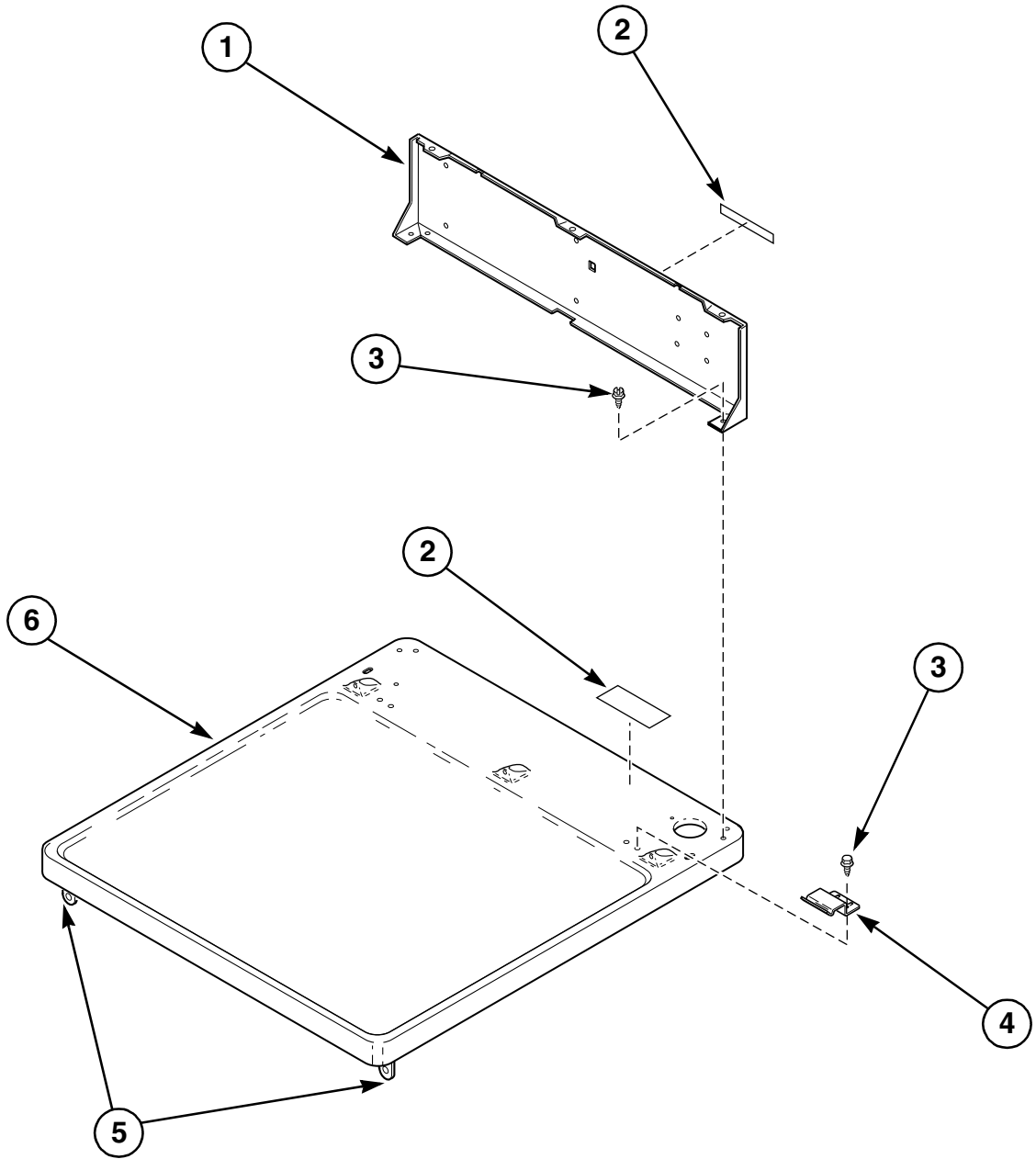
Models LTS80A\*E, LTS80A\*H and LTZ80A\*H1102

REF	PART #	DESCRIPTION	COMMENTS
1	505808*	Top Cover	
2	501086	Screw	
3	687542	Temperature Switch	
4	800669	Switch Bracket	
5	687537	Timer	
6	504008*	End Panel	Right
7	800468	Pressure Switch	
8	800076P	Motor Control Board	
9	501524	Screw	
10	685310	Control Mounting Plate	
11	800399	Indicator Light	
12	687557	Graphic Panel	Models LTS80A*E and LTS80A*H
	800818*	Graphic Panel	Model LTZ80A*H1102
13	38841W	Timer Knob Skirt	Model LTS80A*E
	36700*	Timer Knob Skirt	Models LTS80A*H and LTZ80A*H1102
14	33898W	Timer Knob	Model LTS80A*E
	35333*	Timer Knob	Models LTS80A*H and LTZ80A*H1102
15	685579	Lens	
16	33688	Control Knob	Model LTS80A*E
	36701*	Control Knob	Models LTS80A*H and LTZ80A*H1102
17	504009*	End Panel	Left

\* Add Letter To Designate Color. L – Almond W – White Q – Bisque

# Cabinet Top and Control Hood Rear Panel

Models LTS80A\*E, LTS80A\*H and LTZ80A\*H1102



FLW803P

\* Add Letter To Designate Color. L – Almond W – White Q – Bisque



# Cabinet Top and Control Hood Rear Panel

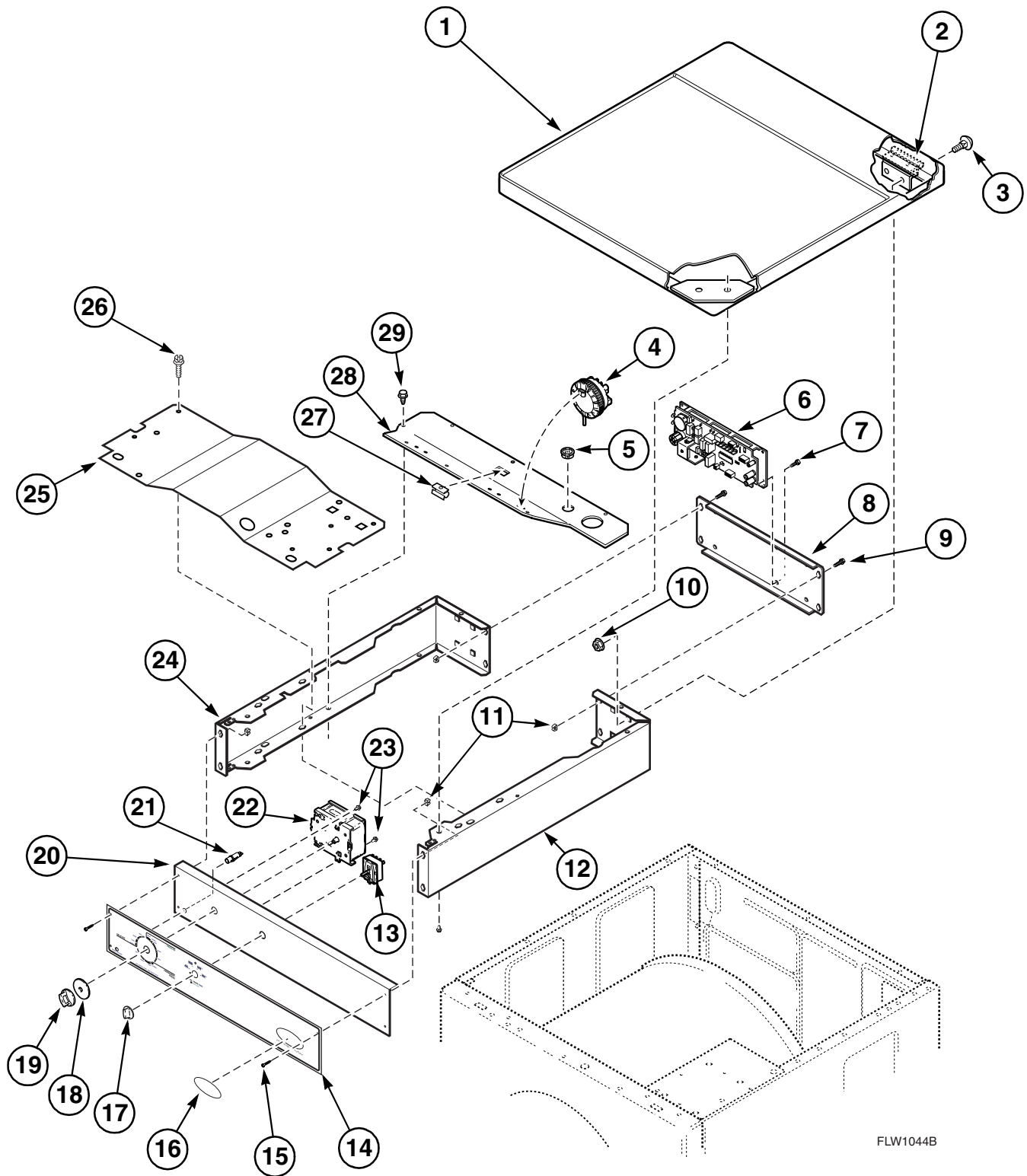
Models LTS80A\*E, LTS80A\*H and LTZ80A\*H1102

REF	PART #	DESCRIPTION	COMMENTS
1	801060	Control Hood Rear Panel	
2	24903	Warning Label	
3	501086	Screw	
4	35358	Hold-Down Clip	
5	510146	Bracket	Model LTZ80A*H1102
6	510029*P	Cabinet Top	Includes item 5

\* Add Letter To Designate Color. L – Almond W – White Q – Bisque

# Cabinet Top, Control Panel and Controls

Models FTS80A\*H, FTU80A\*H and FTZ80A\*H



\* Add Letter To Designate Color. L – Almond W – White Q – Bisque

# Cabinet Top, Control Panel and Controls

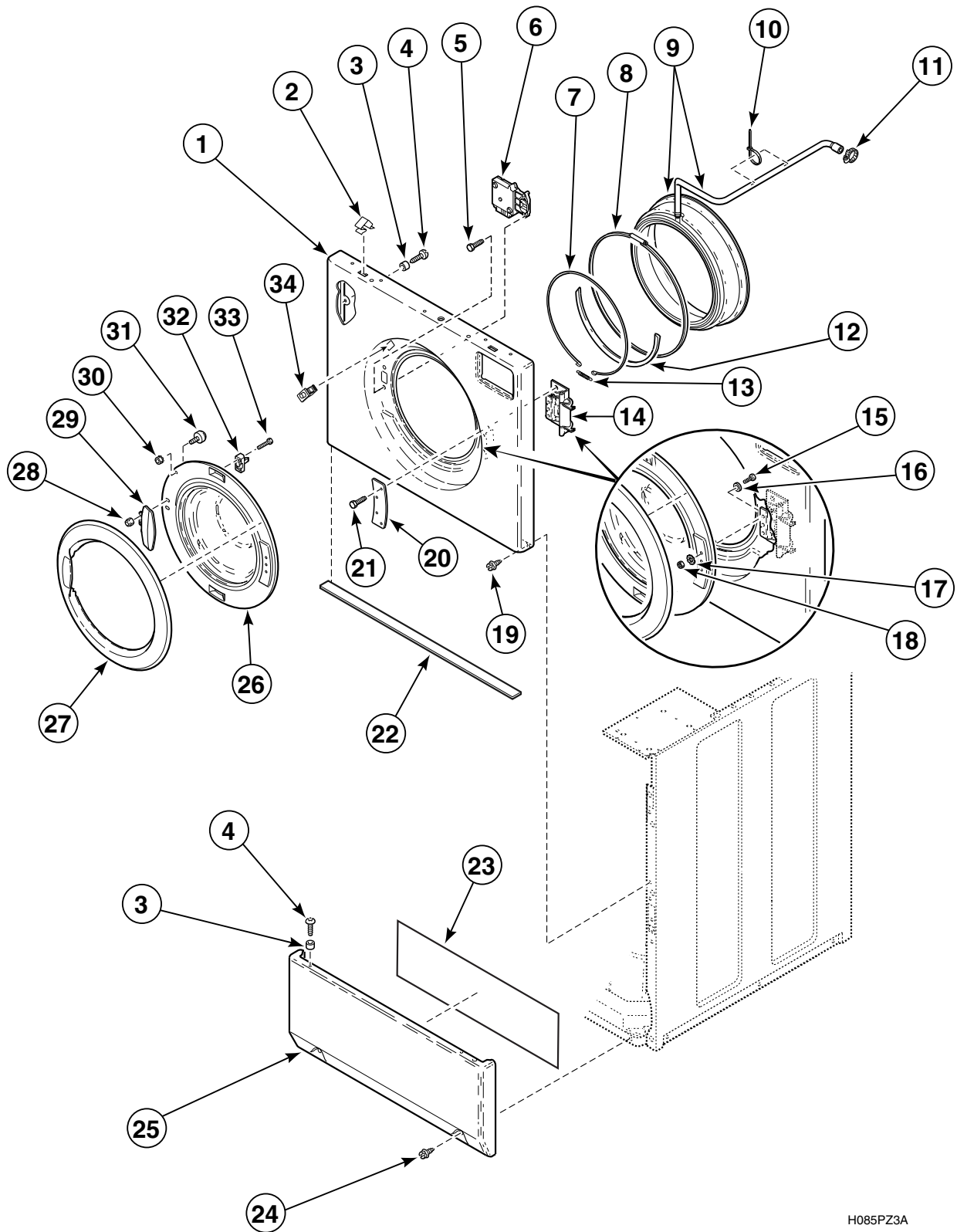
Models FTS80A\*H, FTU80A\*H and FTZ80A\*H

REF	PART #	DESCRIPTION	COMMENTS
1	511422*	Cabinet Top Assembly	
2	511036	Hinge	
3	29651	Bolt	
4	800468	Pressure Switch	
5	M402542	Bushing	
6	800076P	Motor Control Board	
7	501524	Screw	
8	801058	Rear Control Cabinet	
9	70240301	Screw	
10	M412986	Locknut	
11	70030501	Expansion Clip	
12	800915*	Right Control Cabinet	
13	687542	Temperature Switch	
14	801014	Control Panel Overlay	
15	800930	Screw	
16	800921	Label	Model FTS80A*H
	800922	Label	Model FTZ80A*H
	800923	Label	Model FTU80A*H
17	36701*	Control Knob	
18	36700*	Timer Knob Skirt	
19	35333*	Timer Knob	
20	801039*	Control Panel Assembly	
21	32519	Indicator Light	
22	687537	Timer	
23	501086	Screw	
24	800900*	Left Control Cabinet	
25	800869	Control Cabinet Base	
26	503688	Screw	
27	36985	Clip	
28	801008	Control Shield	
29	503661	Screw	

\* Add Letter To Designate Color. L – Almond W – White Q – Bisque

# Front Panel, Door Assembly and Door Seal

Model LTS80A\*E



H085PZ3A

\* Add Letter To Designate Color. L – Almond W – White Q – Bisque

# Front Panel, Door Assembly and Door Seal

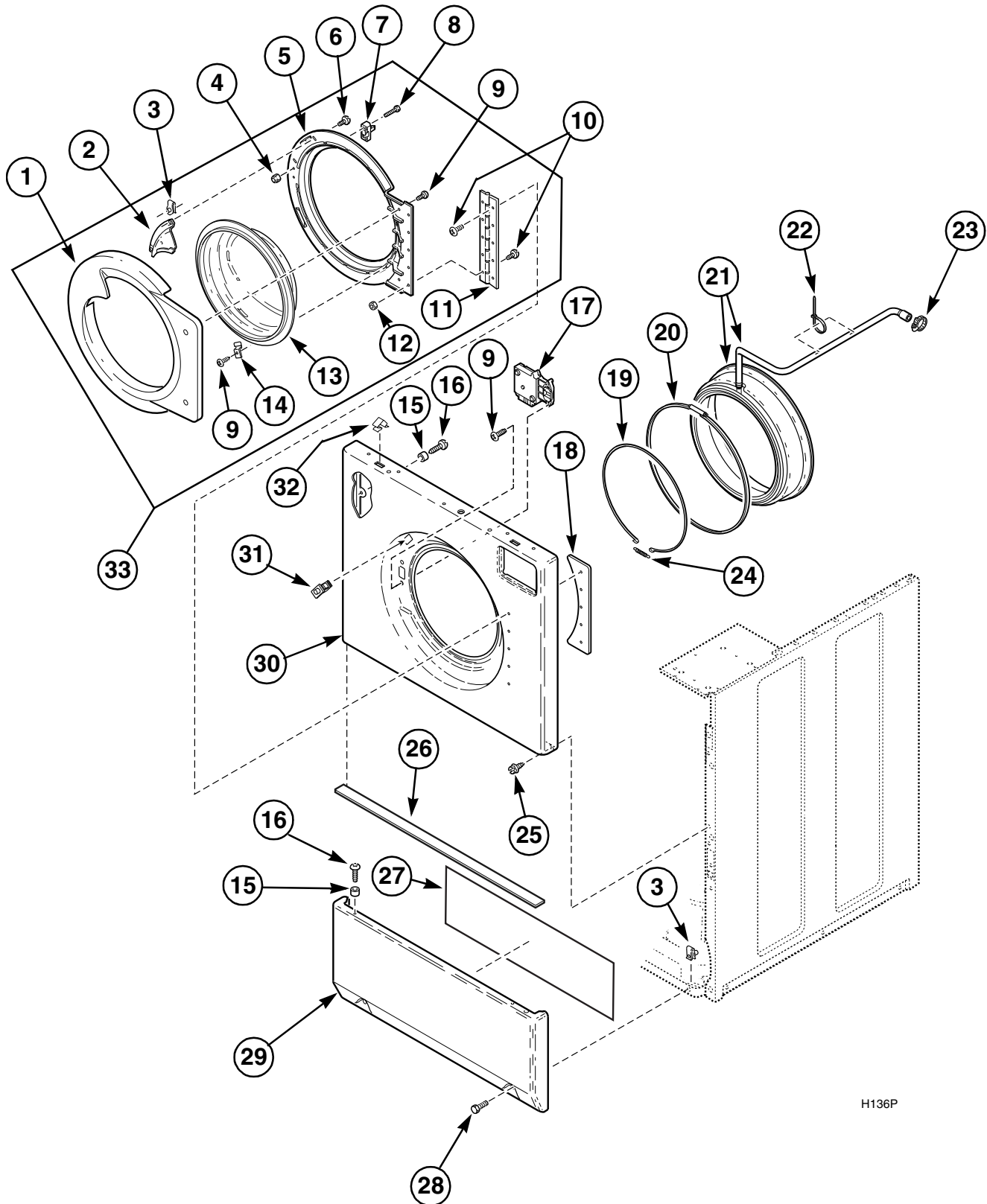
Model LTS80A\*E

REF	PART #	DESCRIPTION	COMMENTS
	800435*P	Front Panel and Door Assembly	Includes items 15, 16, 17, 18, 30 and 33 on Page 13
1	800412*	Front Panel	
2	28835	Hold-Down Clip	
3	56079	Panel Locator	
4	39733	Screw	
5	800548	Screw	
6	685429	Door Latch / Switch Assembly	
7	800438	Wire Clamp Ring	
8	685743	Door Seal Clamp	
9	800232	Door Seal Assembly	
10	55881	Wire Tie	
11	36801	Hose Clamp	
12	685389P	Foam Tape	Front panel door opening
13	800346	Spring	
14	685460	Hinge Assembly	
15	02916	Cap Screw	
16	35917	Washer	
17	M400017	Lockwasher	
18	52566	Locknut	
19	503661	Screw	
20	685470	Hinge Plate	
21	685862	Screw	
22	685366	Foam Tape	1 inch by 26 inches
23	685368	Pad	
24	33562	Screw	Hex Head
	62853	Screw	Torx Head; Optional, for security
25	510069*	Lower Access Panel	
26	N/A	Inner Door and Glass	Use 800435*P Front Panel and Door Assembly
27	685400*	Door Bezel	
28	685846	Locknut	
29	685438	Door Handle	
30	23951	Locknut	
31	800233	Bumper	
32	685430	Catch	
33	685836	Screw	
34	800211	Door Switch	

\* Add Letter To Designate Color. L – Almond W – White Q – Bisque

# Front Panel, Door Assembly and Door Seal

Models FTS80A\*H, FTU80A\*H, FTZ80A\*H, LTS80A\*H and LTZ80A\*H1102



H136P

\* Add Letter To Designate Color. L – Almond W – White Q – Bisque

# Front Panel, Door Assembly and Door Seal

Models FTS80A\*H, FTU80A\*H, FTZ80A\*H, LTS80A\*H and LTZ80A\*H1102

REF	PART #	DESCRIPTION	COMMENTS
1	800341*	Outer Door Bezel	
2	800342	Door Handle	
3	36020	Speed Nut	
4	685846	Locknut	
5	800340	Inner Door Bezel	
6	800528	Screw	
7	685430	Catch	
8	685836	Screw	
9	800548	Screw	
10	801019	Screw	
11	800339	Door Hinge Assembly	
12	23951	Locknut	
13	800343P	Door Glass	
14	800906	Hold-Down Clip	
15	56079	Panel Locator	
16	39733	Screw	
17	685429	Door Latch/Switch Assembly	
18	800437	Hinge Plate	
19	800438	Wire Clamp Ring	
20	685743	Door Seal Clamp	Seal to outer tub front
21	800232	Door Seal Assembly	
22	55881	Wire Tie	
23	36801	Hose Clamp	
24	800346	Spring	
25	503661	Screw	
26	685366	Foam Tape	
27	685368	Pad	
28	801045	Screw	
29	510069*	Lower Access Panel	
30	800336*	Front Panel	
31	800211	Door Switch	
32	28835	Hold-Down Clip	
33	800436*	Door Assembly	Includes items 1 through 14

\* Add Letter To Designate Color. L – Almond W – White Q – Bisque



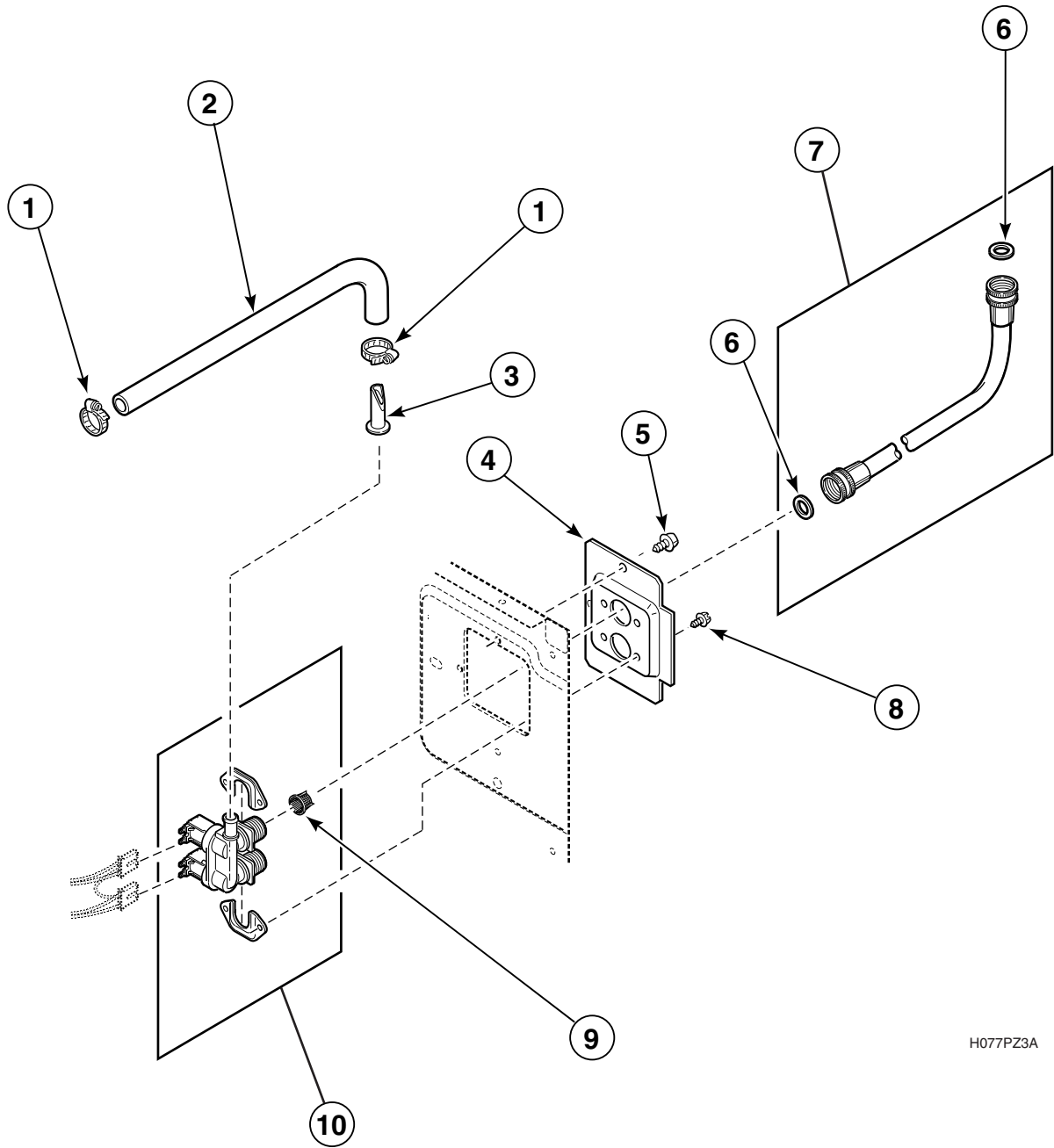


# Dispenser Assembly

REF	PART #	DESCRIPTION	COMMENTS
1	800232	Door Seal Assembly	
2	687500	Wire Clip	
3	55881	Wire Tie	
4	36801	Hose Clamp	
5	800803	Hose Clamp	
6	800325	Dispenser Inlet Hose	
7	34500	Backflow Preventer	
8	685766P	Valve	
9	800331	Dispenser Hose	
10	685725	Hose Clamp	
11	685756	Dispenser and Valve Housing Assembly	
12	800548	Screw	
13	685715*	Dispenser Drawer Front	
14	800899	Detergent Cover	
15	685716	Insert	
16	685830	Screw	
17	801024	Dispenser Mounting Bracket	

\* Add Letter To Designate Color. L – Almond W – White Q – Bisque

# Mixing Valve, Inlet Hose and Dispenser Hose

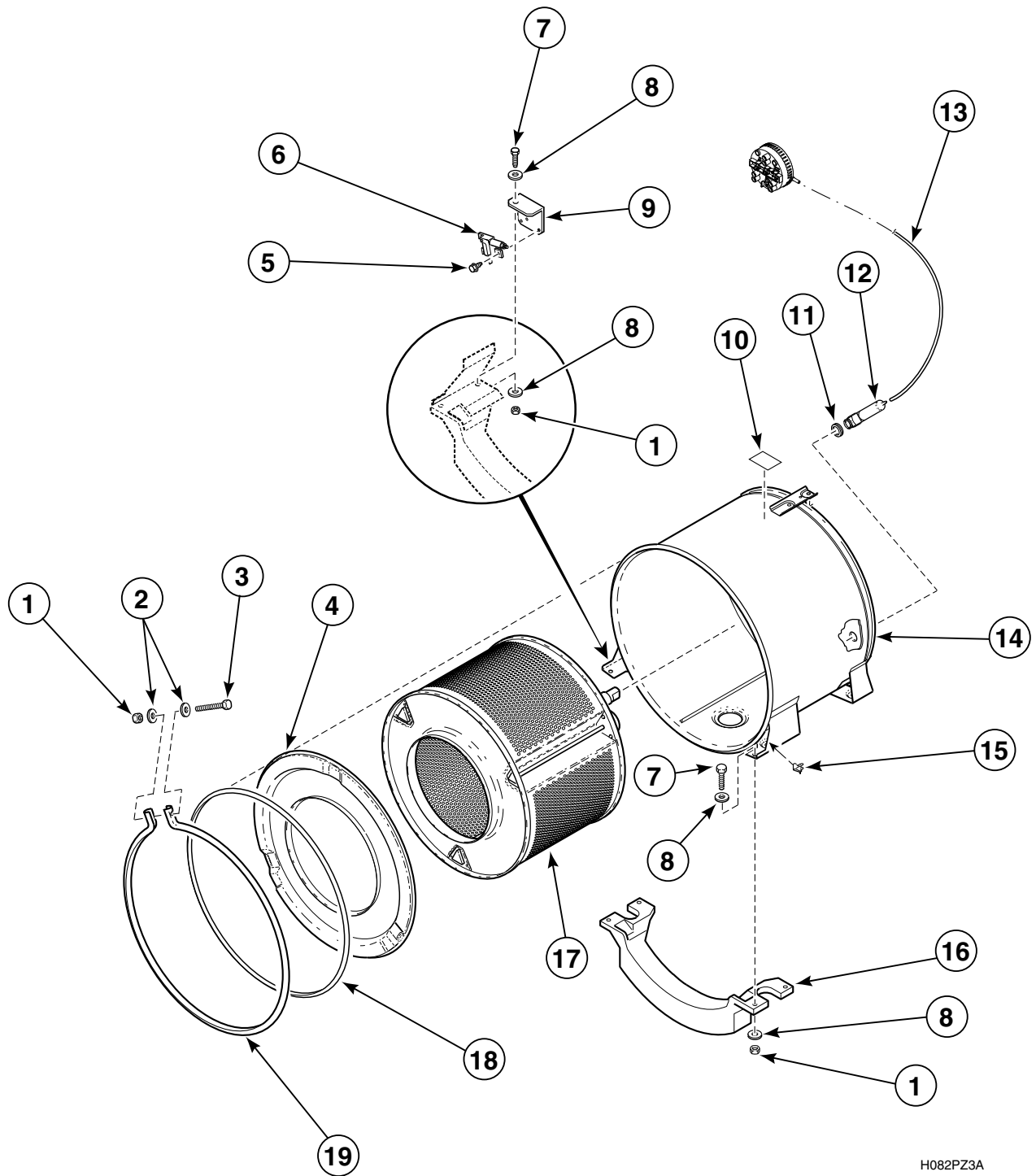


H077PZ3A

## Mixing Valve, Inlet Hose and Dispenser Hose

REF	PART #	DESCRIPTION	COMMENTS
1	800803	Hose Clamp	
2	800325	Dispenser Hose	
3	34500	Backflow Preventer	
4	800323	Mixing Valve Plate	
5	503661	Screw	
6	20290	Hose Washer	
7	28330P	Inlet Hose Assembly	Includes (2) 20290 Hose Washers
8	501086	Screw	
9	F270200	Inlet Screen	
10	800434	Mixing Valve	

# Outer Tub, Front, Clamp Ring and Inner Basket



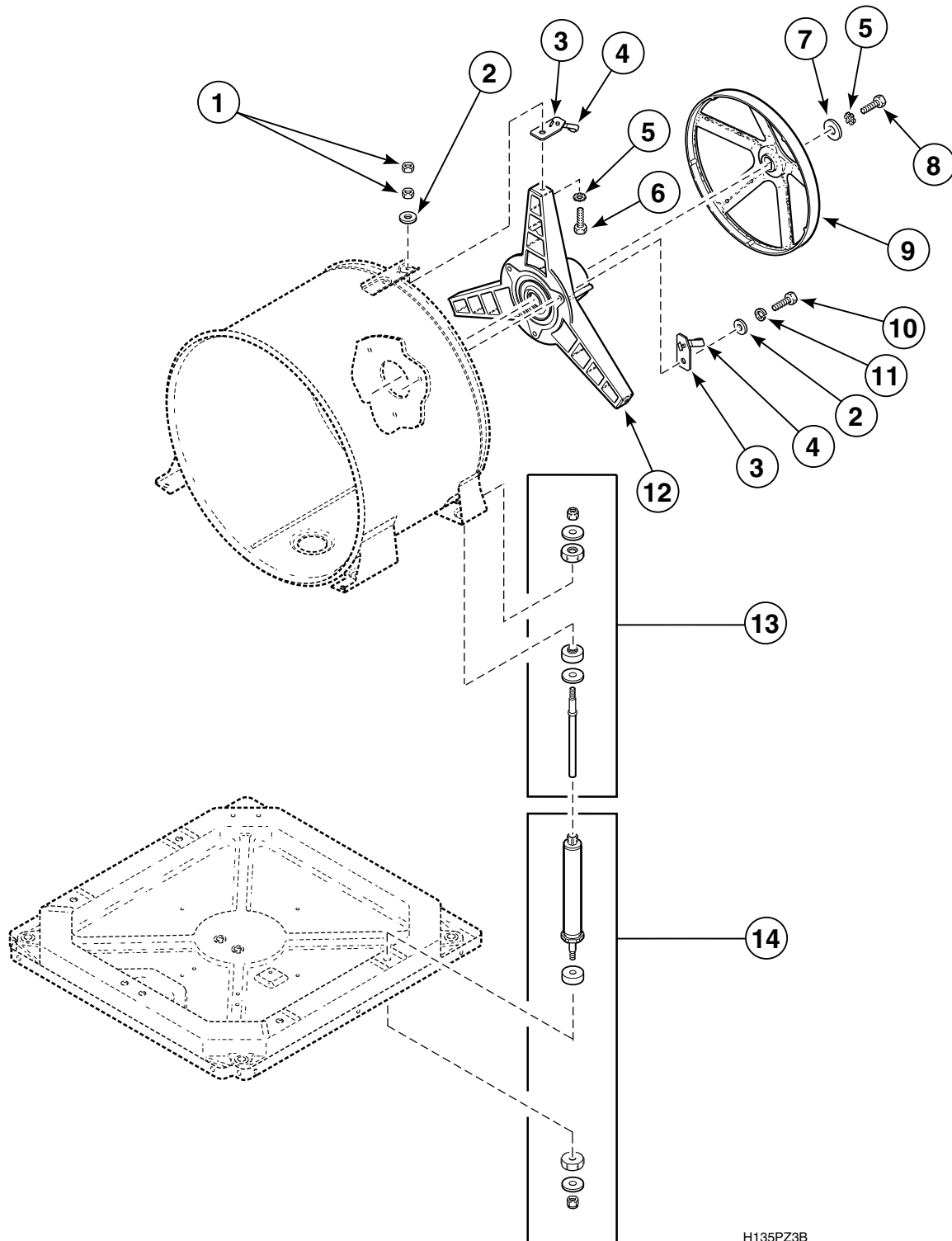
H082PZ3A

## Outer Tub, Front, Clamp Ring and Inner Basket

REF	PART #	DESCRIPTION	COMMENTS
1	800452	Locknut	
2	800457	Flat Washer	
3	800462	Screw	
4	800430	Outer Tub Front	
5	503661	Screw	
6	801006	Out-of-Balance Switch	
7	800461	Screw	
8	M400081	Flat Washer	
9	600046	Mounting Bracket	
10	500049	Warning Label	
11	29175	Grommet	
12	30907	Pressure Bulb	
13	29214	Pressure Hose	Models LTS80A*E, LTS80A*H and LTZ80A*H1102
	800648	Pressure Hose	Models FTS80A*H, FTU80A*H and FTZ80A*H
14	800248	Outer Tub	
15	00161	Ground Clip	
16	800205	Weight	
17	800429	Inner Basket	
18	800432	Seal	
19	800312	Clamp Ring	

\* Add Letter To Designate Color. L – Almond W – White Q – Bisque

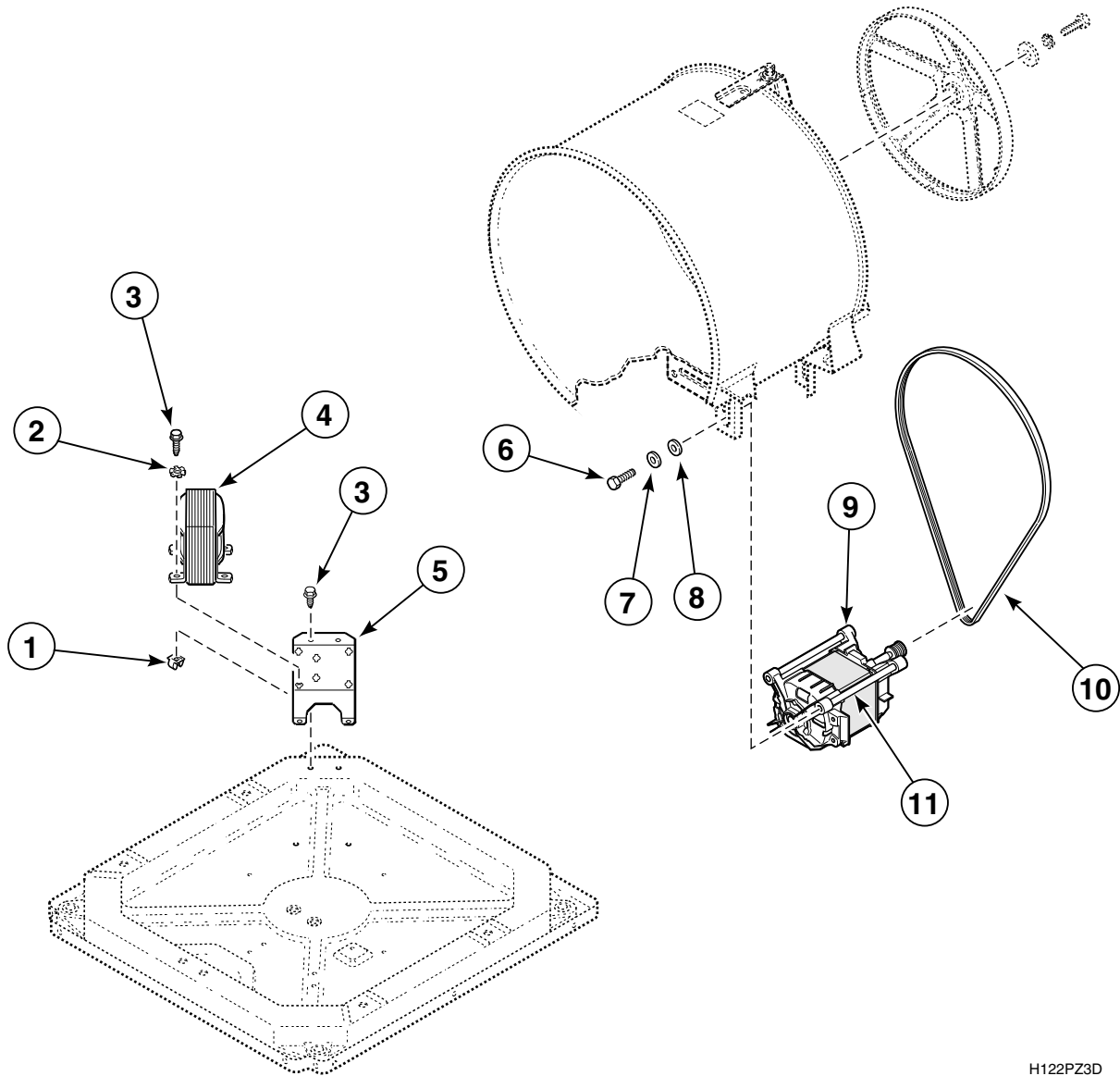
# Bearing Housing Assembly and Pulley



## Bearing Housing Assembly and Pulley

REF	PART #	DESCRIPTION	COMMENTS
	27604P	Anti-Seize Compound	Pulley to inner basket shaft
1	800452	Locknut	
2	800457	Washer	
3	800552	Mounting Plate	
4	800553	Clip	
5	M403958	Lockwasher	
6	800461	Screw	
7	800464	Flat Washer	
8	685831	Screw	Left Hand Thread
9	800866	Pulley	
10	M400043	Screw	
11	M400014	Lockwasher	
12	800428	Bearing Housing Assembly	
13	800622P	Shock Absorber Assembly	Upper
14	800623P	Shock Absorber Assembly	Lower

# Motor and Belt



H122PZ3D

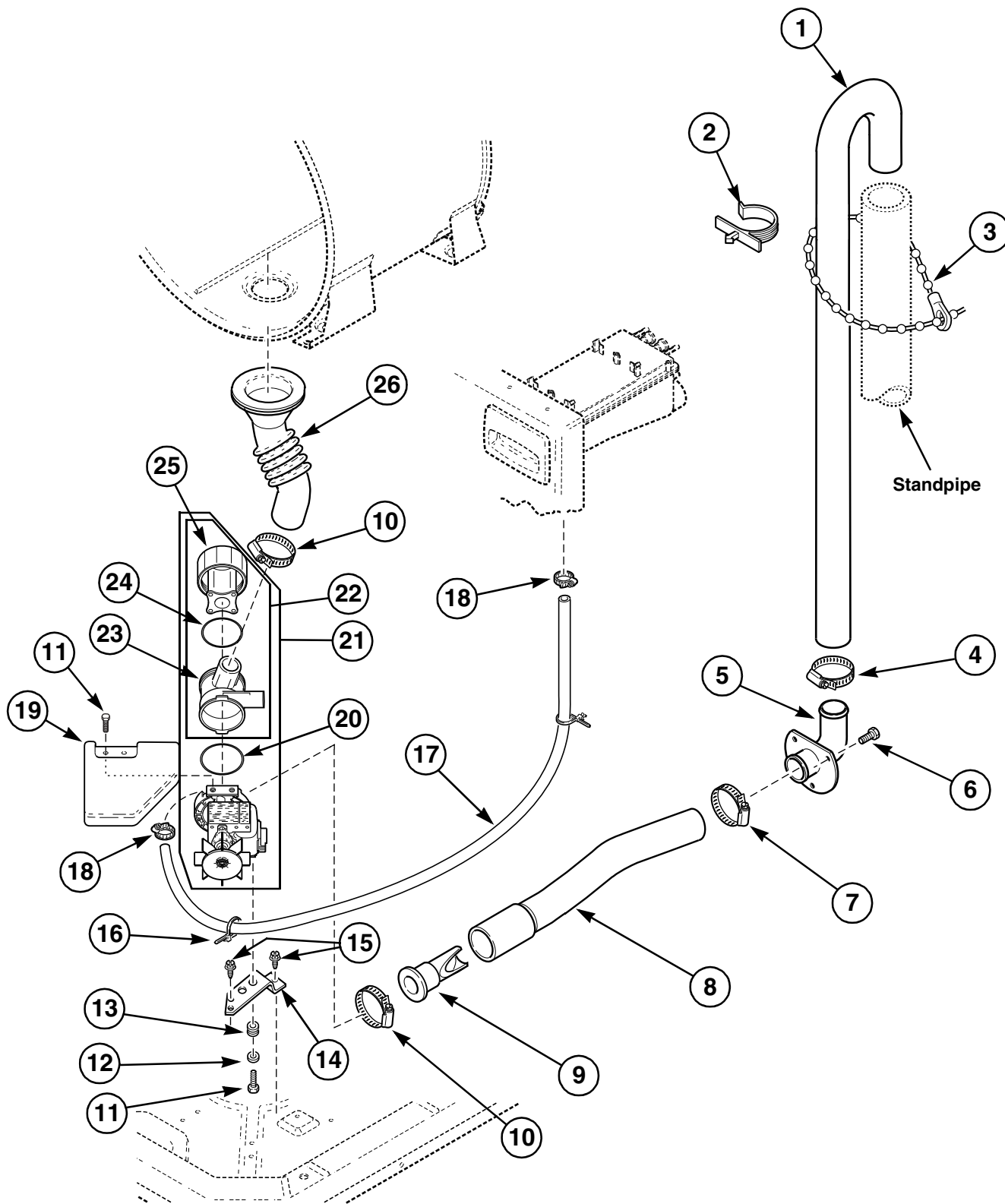


# Motor and Belt

REF	PART #	DESCRIPTION	COMMENTS
1	70030501	Expansion Clip	
2	M400014	Lockwasher	
3	503661	Screw	
4	686513	Transformer	
5	801026	Mounting Bracket	
6	M400057	Screw	
7	02834	Lockwasher	
8	M400080	Flat Washer	
9	685639	Motor Assembly	
10	800319	Belt	
11	800496	Motor Rod	

# Hoses and Pump

Models LTS80A\*E, LTS80A\*H and LTZ80A\*H1102



FLW799P

\* Add Letter To Designate Color. L – Almond W – White Q – Bisque

# Hoses and Pump

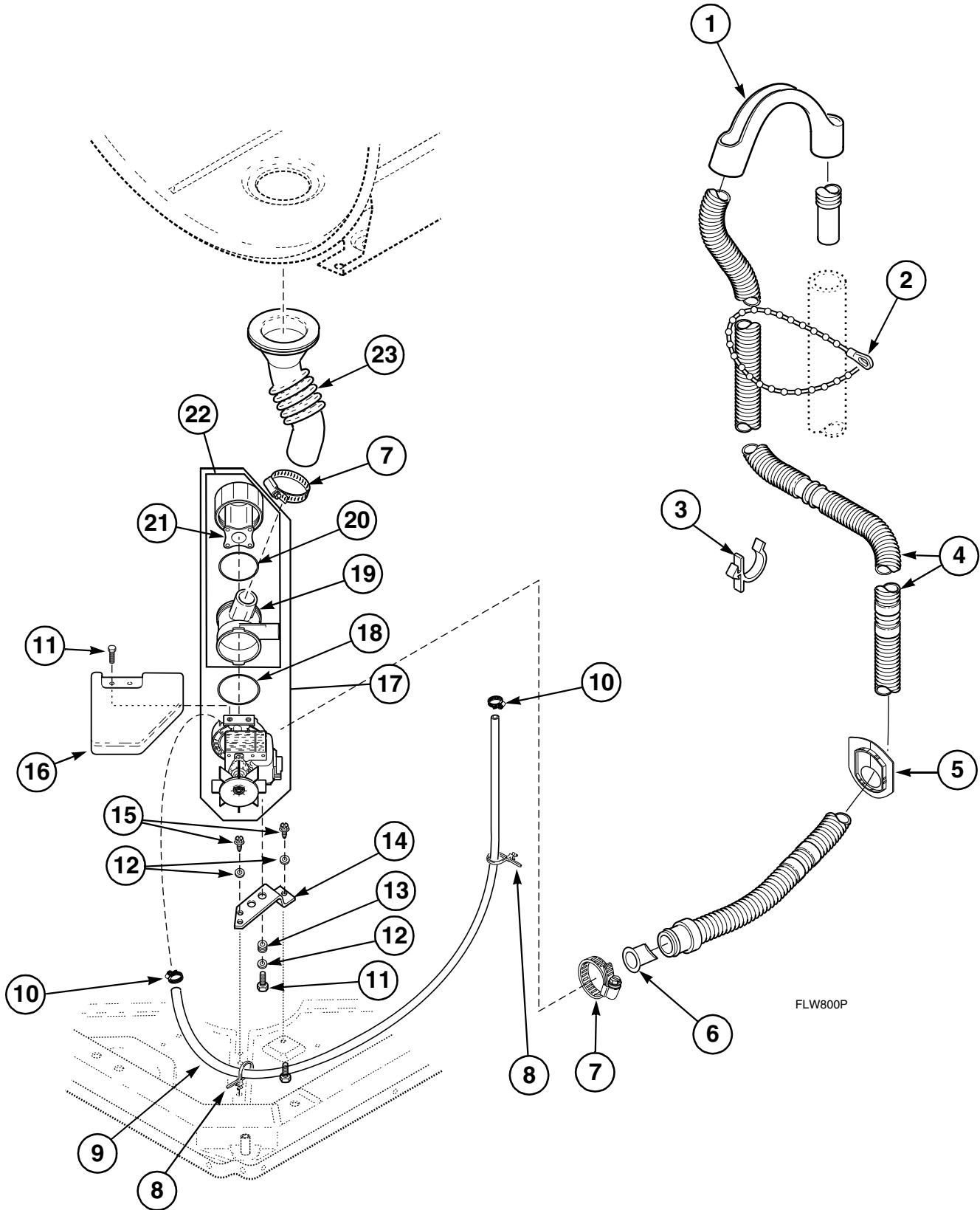
Models LTS80A\*E, LTS80A\*H and LTZ80A\*H1102

REF	PART #	DESCRIPTION	COMMENTS
	27615P	Sealant	Tub-to-Pump Hose to Outer Tub
1	27154	Drain Hose	
2	39177	Retainer Clip	
3	33489	Beaded Strap	
4	20211	Hose Clamp	
5	35766	Elbow	
6	52909	Screw	
7	20391	Hose Clamp	
8	685737	Pump-to-Elbow Hose	
9	800310	Backflow Preventer	
10	36802	Hose Clamp	
11	38096	Screw	
12	800465	Washer	
13	685834	Grommet	
14	800308	Mounting Bracket	
15	503661	Screw	
16	38663	Wire Tie	
17	800424	Vent Hose Assembly	
18	F200206	Hose Clamp	
19	38067	Shield	
20	37392	O-Ring	
21	685703	Drain Pump	
22	801209	Pump Housing Assembly	Includes items 24, 25 and 26
23	801208	Pump Housing	
24	801207	O-Ring	
25	801206	Lid	Includes filter
26	800317	Outer Tub-to-Pump Hose	

\* Add Letter To Designate Color. L – Almond W – White Q – Bisque

# Drain Hose and Pump

Models FTS80A\*H, FTU80A\*H and FTZ80A\*H



\* Add Letter To Designate Color. L – Almond W – White Q – Bisque

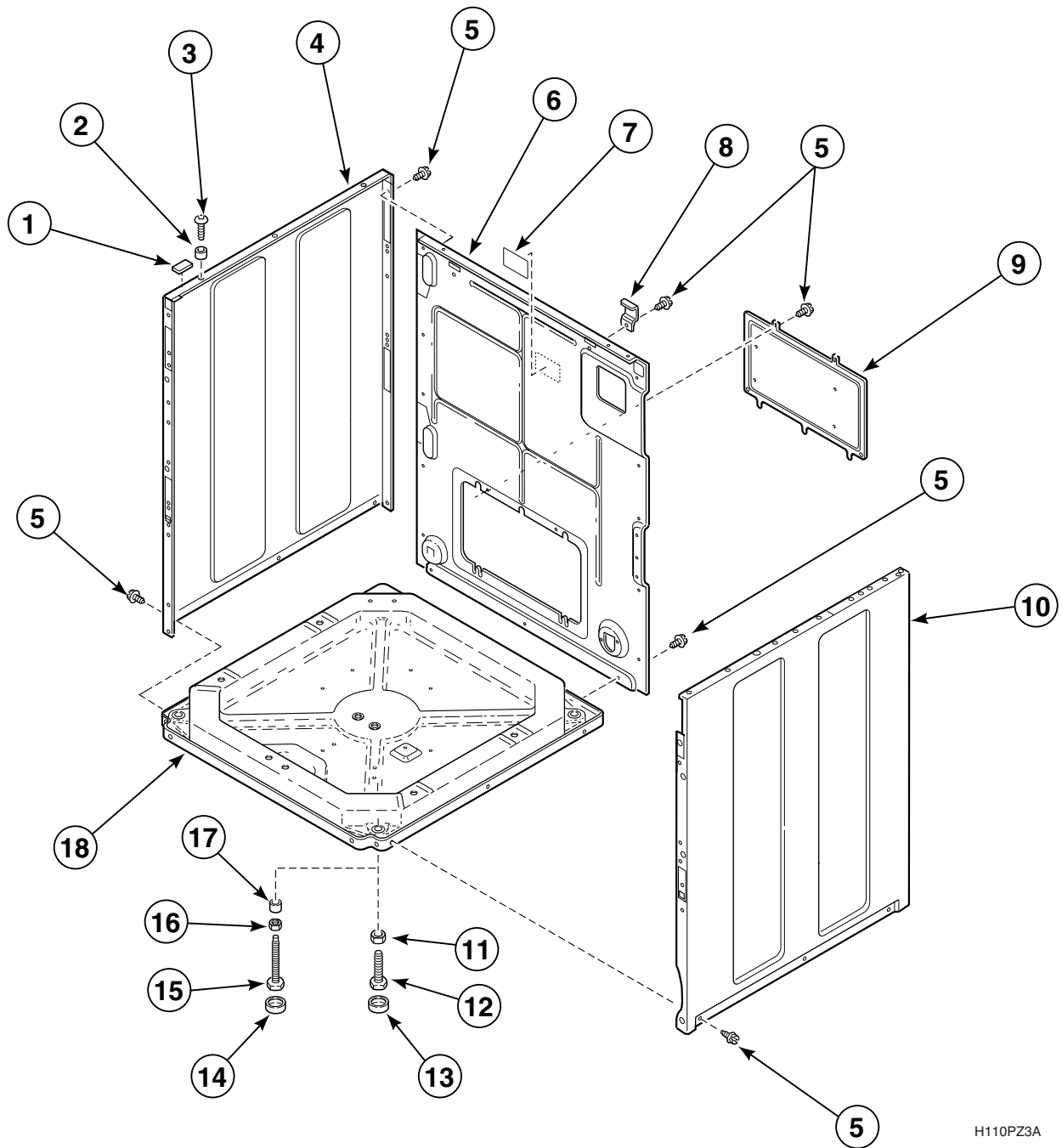
# Drain Hose and Pump

Models FTS80A\*H, FTU80A\*H and FTZ80A\*H

REF	PART #	DESCRIPTION	COMMENTS
1	33615	Drain Hose Sleeve	
2	33489	Beaded Strap	
3	36014	Retainer Clip	
4	685730	Drain Hose	
5	32219	Strain Relief	
6	800310	Backflow Preventer	
7	36802	Hose Clamp	
8	38663	Wire Tie	
9	800424	Vent Hose	
10	F200206	Hose Clamp	
11	38096	Screw	Metric
12	800465	Washer	
13	685834	Grommet	
14	800308	Mounting Bracket	
15	503661	Screw	
16	38067	Shield	
17	685703	Drain Pump	
18	37392	O-Ring	
19	801208	Pump Housing	
20	801207	O-Ring	
21	801206	Lid	Includes filter
22	801209	Pump Housing Assembly	Includes items 19, 20 and 21
23	800317	Outer Tub-to-Pump Hose	

\* Add Letter To Designate Color. L – Almond W – White Q – Bisque

# Base, Side Panels and Rear Panel



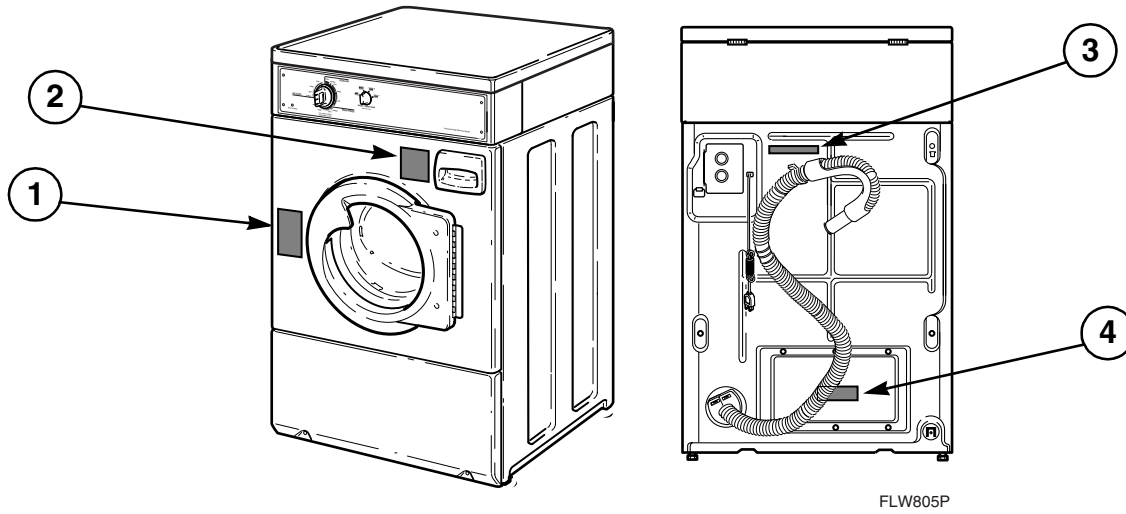
H110PZ3A

## Base, Side Panels and Rear Panel

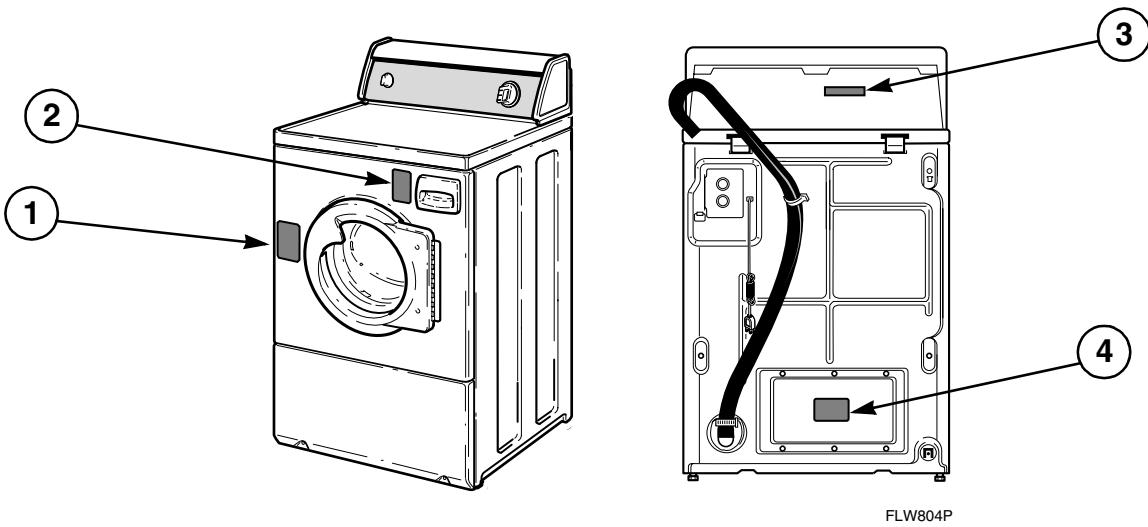
REF	PART #	DESCRIPTION	COMMENTS
1	56128	Bumper Pad	
2	56079	Panel Locator	
3	39733	Screw	
4	800004*P	Side Panel	Left; Includes 732P3 Gusset Kit with hardware
5	503661	Screw	
6	800010	Rear Panel	
7	685928	Label	Left hand thread
8	510136	Hinge	
9	801012	Rear Access Panel	
10	800005*P	Side Panel	Right; Includes 800242 dispenser plate with hardware and 547P3 meter case mounting bracket with hardware
11	21899	Nut	For 1/2 inch leveling leg
12	34319	Leveling Leg	1/2 inch leveling leg
13	34318	Rubber Foot	For 1/2 inch leveling leg
14	70282	Rubber Foot	For 3/8 inch leveling leg
15	800014	Leveling Leg	3/8 inch leveling leg
16	20274	Nut	For 3/8 inch leveling leg
17	800015	Spacer	For 3/8 inch leveling leg
18	801222	Base	

\* Add Letter To Designate Color. L – Almond W – White Q – Bisque

# Labels



Front Control Washers



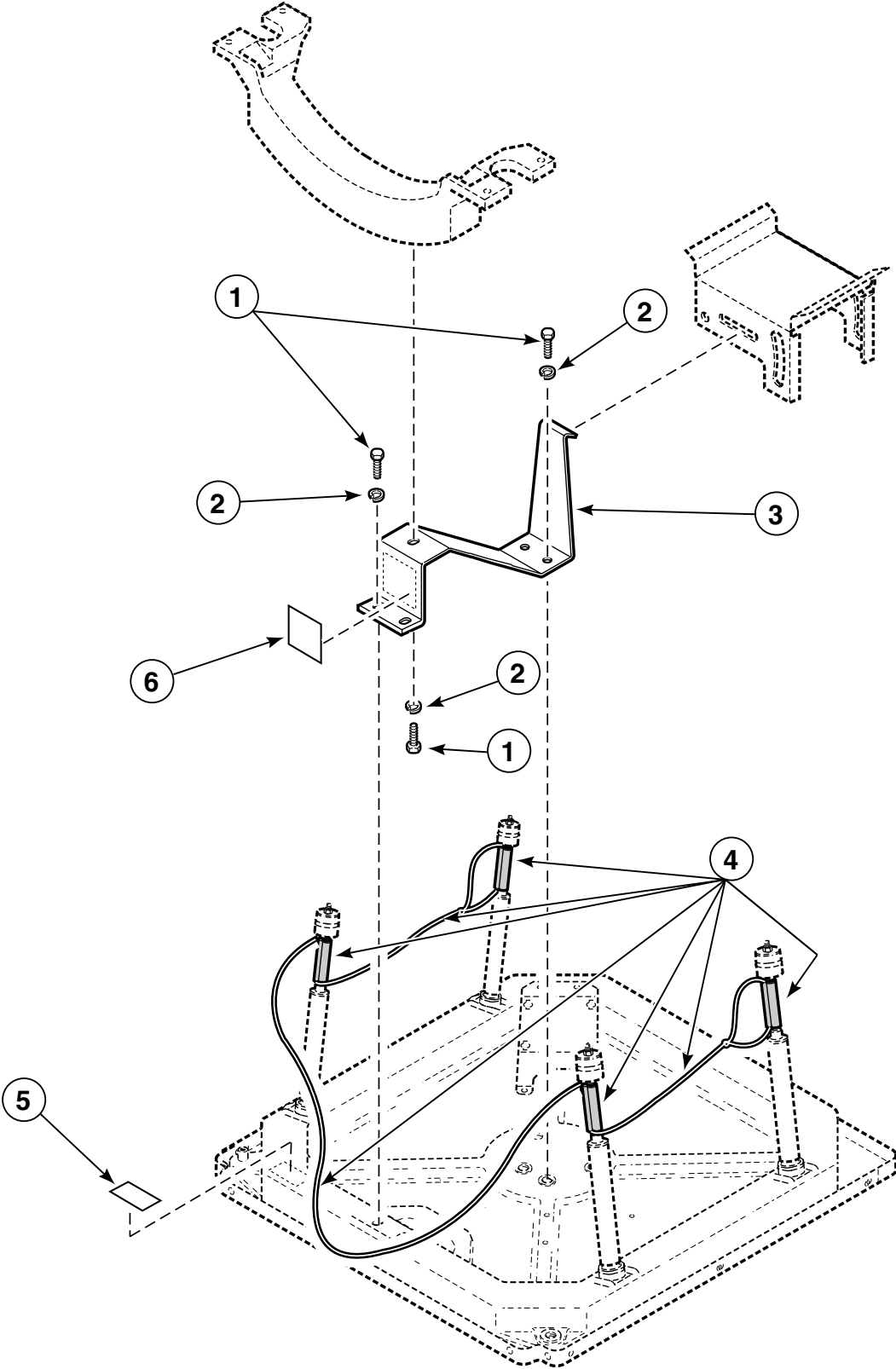
Rear Control Washers



# Labels

REF	PART #	DESCRIPTION	COMMENTS
1	685947	Door Locked Label	
2	800420	Low Sudsing Label	English
	800621	Low Sudsing Label	Spanish
	800840	Low Sudsing Label	Quebec French
3	24903	Warning Label	English
	500316	Warning Label	Quebec French
4	500049	Warning Label	English
	500314	Warning Label	Quebec French

# Shipping Materials

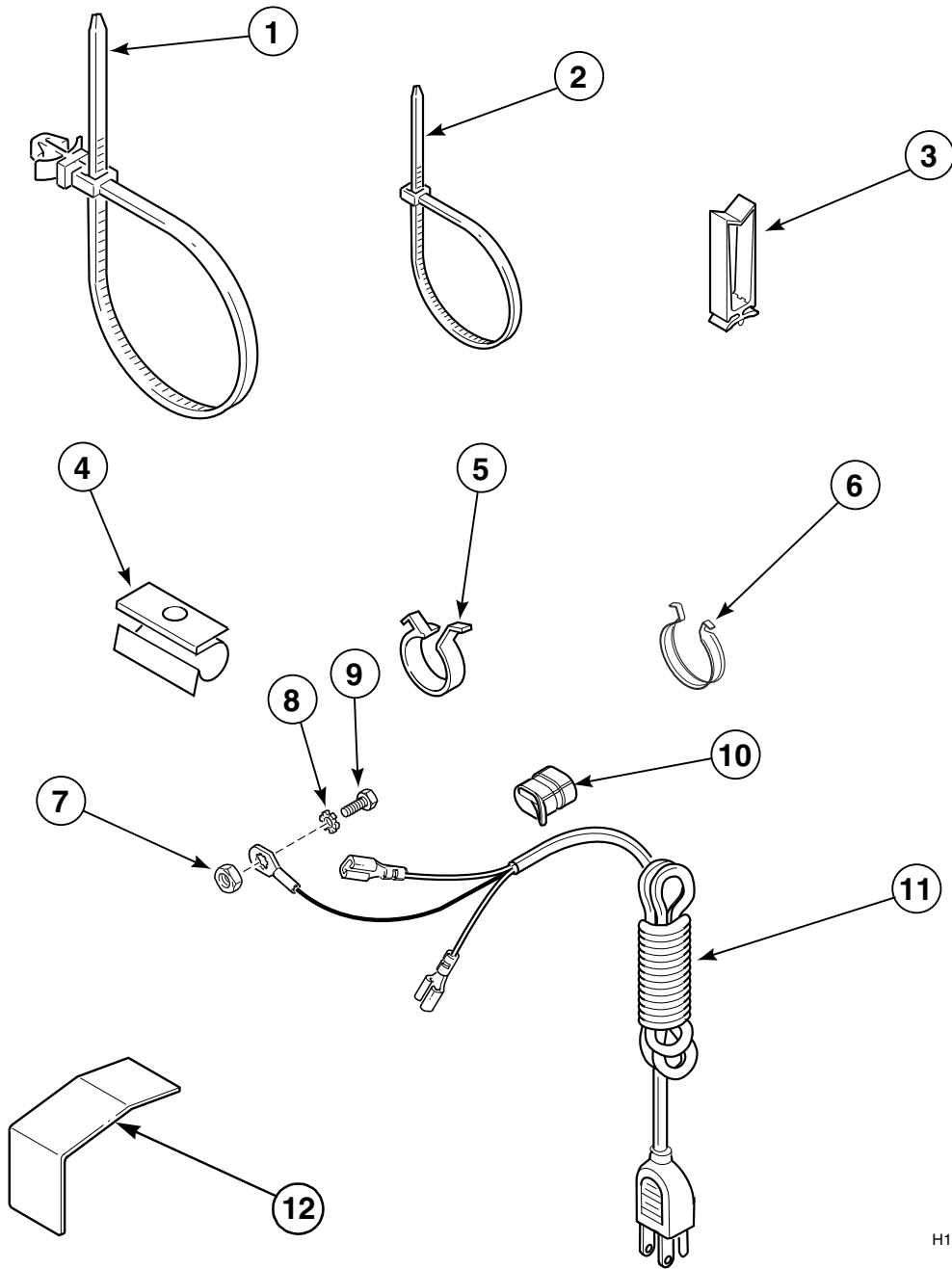


H087PZ3B

# Shipping Materials

REF	PART #	DESCRIPTION	COMMENTS
	728P3	Shipping Brace Kit	Includes items 1 through 6
1	M400043	Screw	
2	M400014	Lockwashers	
3	685911	Shipping Bracket	
4	800364	Shipping Cord and Brace Assembly	
5	500049	Warning Label	
6	686901	Shipping Bracket Label	

# Wire Ties, Harness Clips, Power Cord and Tool



H088P

H130PZ3A

## Wire Ties, Harness Clips, Power Cord and Tool

REF	PART #	DESCRIPTION	COMMENTS
1	38663	Wire Tie	
2	55881	Wire Tie	
3	36274	Wire Clip	
4	36985	Hose Clip	
5	504034	Wire Clip	Small
6	687500	Wire Clip	Large
7	03673	Nut	
8	03815	Lockwasher	
9	685837	Screw	
10	38384	Strain Relief	
11	34458	Power Cord	
12	318P4	Dispenser Drawer Tool	

## Wire Harnesses and Wires

Individual wires are not available separately. Order complete wire harness. See chart.

MODEL NUMBER	BASE HARNESS PART NUMBER	CONTROL HARNESS PART NUMBER	MOTOR HARNESS PART NUMBER
LTS80A*E, LTS80A*H, LTZ80A*H1102	687574	800352	800120
FTS80A*H, FTU80A*H, FTZ80A*H	687574	800932	800120

\* Add Letter To Designate Color. L – Almond W – White Q – Bisque

Order the individual wire color and gauge by the part number listed below. Order wire by the foot and terminals and connectors as required. It is recommended when applying terminals to wires that the terminals be soldered to the wires.

**IMPORTANT: Always replace wires with proper gauge.**

PART NUMBER	WIRE GAUGE	WIRE COLOR
45001	18 Gauge Wire	Black
45380	12 Gauge Wire	Orange

\* Add Letter To Designate Color. L – Almond W – White Q – Bisque

# Parts Index

## A

Anti-Seize Compound 27604P .....	21
-------------------------------------	----

## B

Backflow Preventer 34500 .....	15, 17
800310 .....	25, 27
Base 801222 .....	29
Base Harness 687574 .....	36
Beaded Strap 33489 .....	25, 27
Bearing Housing Assembly 800428 .....	21
Belt 800319 .....	23
Bolt 29651 .....	9
Bracket 510146 .....	7
Bumper 800233 .....	11
Bumper Pad 56128 .....	29
Bushing M402542 .....	9

## C

Cabinet Top 510029*P .....	7
Cabinet Top Assembly 511422* .....	9
Cap Screw 02916 .....	11
Catch 685430 .....	11, 13
Clamp Ring 800312 .....	19
Clip 36985 .....	9
800553 .....	21
Control Cabinet Base 800869 .....	9
Control Harness 800352 .....	36
800932 .....	36
Control Hood Rear Panel 801060 .....	7
Control Knob 33688 .....	5
36701* .....	5, 9
Control Mounting Plate 685310 .....	5

Control Panel Assembly 801039* .....	9
Control Panel Overlay 801014 .....	9
Control Shield 801008 .....	9

## D

Detergent Cover 800899 .....	15
Dispenser and Valve Housing Assembly 685756 .....	15
Dispenser Drawer Front 685715* .....	15
Dispenser Drawer Tool 318P4 .....	35
Dispenser Hose 800325 .....	17
800331 .....	15
Dispenser Inlet Hose 800325 .....	15
Dispenser Mounting Bracket 801024 .....	15
Door Assembly 800436* .....	13
Door Bezel 685400* .....	11
Door Glass 800343P .....	13
Door Handle 685438 .....	11
800342 .....	13
Door Hinge Assembly 800339 .....	13
Door Latch / Switch Assembly 685429 .....	11
Door Latch/Switch Assembly 685429 .....	13
Door Locked Label 685947 .....	31
Door Seal Assembly 800232 .....	11, 13, 15
Door Seal Clamp 685743 .....	11, 13
Door Switch 800211 .....	11, 13
Drain Hose 27154 .....	25
685730 .....	27
Drain Hose Sleeve 33615 .....	27
Drain Pump 685703 .....	25, 27

## E

18 Gauge Wire 45001 .....	36
------------------------------	----

Elbow	
35766 .....	25
End Panel	
504008* .....	5
504009* .....	5
Expansion Clip	
70030501 .....	9, 23

## F

Flat Washer	
M400080 .....	23
M400081 .....	19
800457 .....	19
800464 .....	21
Foam Tape	
685366 .....	11, 13
685389P .....	11
Front Panel	
800336* .....	13
800412* .....	11
Front Panel and Door Assembly	
800435*P .....	11

## G

Graphic Panel	
687557 .....	5
800818* .....	5
Grommet	
29175 .....	19
685834 .....	25, 27
Ground Clip	
00161 .....	19

## H

Hinge	
510136 .....	29
511036 .....	9
Hinge Assembly	
685460 .....	11
Hinge Plate	
685470 .....	11
800437 .....	13
Hold-Down Clip	
28835 .....	11, 13
35358 .....	7
800906 .....	13
Hose Clamp	
F200206 .....	25, 27
20211 .....	25
20391 .....	25
36801 .....	11, 13, 15
36802 .....	25, 27
685725 .....	15
800803 .....	15, 17
Hose Clip	
36985 .....	35
Hose Washer	
20290 .....	17

## I

Indicator Light	
32519 .....	9
800399 .....	5
Inlet Hose Assembly	
28330P .....	17
Inlet Screen	
F270200 .....	17
Inner Basket	
800429 .....	19
Inner Door Bezel	
800340 .....	13
Insert	
685716 .....	15

## L

Label	
685928 .....	29
800921 .....	9
800922 .....	9
800923 .....	9
Left Control Cabinet	
800900* .....	9
Lens	
685579 .....	5
Leveling Leg	
34319 .....	29
800014 .....	29
Lid	
801206 .....	25, 27
Locknut	
M412986 .....	9
23951 .....	11, 13
52566 .....	11
685846 .....	11, 13
800452 .....	19, 21
Lockwasher	
M400014 .....	21, 23
M400017 .....	11
M403958 .....	21
02834 .....	23
03815 .....	35
Lockwashers	
M400014 .....	33
Low Sudsing Label	
800420 .....	31
800621 .....	31
800840 .....	31
Lower Access Panel	
510069* .....	11, 13

## M

Mixing Valve	
800434 .....	17
Mixing Valve Plate	
800323 .....	17
Motor Assembly	
685639 .....	23



Motor Control Board	
800076P .....	5, 9
Motor Harness	
800120 .....	36
Motor Rod	
800496 .....	23
Mounting Bracket	
600046 .....	19
800308 .....	25, 27
801026 .....	23
Mounting Plate	
800552 .....	21

## N

Nut	
03673 .....	35
20274 .....	29
21899 .....	29

## O

O-Ring	
37392 .....	25, 27
801207 .....	25, 27
Outer Door Bezel	
800341* .....	13
Outer Tub	
800248 .....	19
Outer Tub Front	
800430 .....	19
Outer Tub-to-Pump Hose	
800317 .....	25, 27
Out-of-Balance Switch	
801006 .....	19

## P

Pad	
685368 .....	11, 13
Panel Locator	
56079 .....	11, 13, 29
Power Cord	
34458 .....	35
Pressure Bulb	
30907 .....	19
Pressure Hose	
29214 .....	19
800648 .....	19
Pressure Switch	
800468 .....	5, 9
Pulley	
800866 .....	21
Pump Housing	
801208 .....	25, 27
Pump Housing Assembly	
801209 .....	25, 27
Pump-to-Elbow Hose	
685737 .....	25

## R

Rear Access Panel	
801012 .....	29
Rear Control Cabinet	
801058 .....	9
Rear Panel	
800010 .....	29
Retainer Clip	
36014 .....	27
39177 .....	25
Right Control Cabinet	
800915* .....	9
Rubber Foot	
34318 .....	29
70282 .....	29

## S

Screw	
M400043 .....	21, 33
M400057 .....	23
33562 .....	11
38096 .....	25, 27
39733 .....	11, 13, 29
501086 .....	5, 7, 9, 17
501524 .....	5, 9
503661 .....	9, 11, 13, 17, 19, 23, 25, 27, 29
503688 .....	9
52909 .....	25
62853 .....	11
685830 .....	15
685831 .....	21
685836 .....	11, 13
685837 .....	35
685862 .....	11
70240301 .....	9
800461 .....	19, 21
800462 .....	19
800528 .....	13
800548 .....	11, 13, 15
800930 .....	9
801019 .....	13
801045 .....	13
Seal	
800432 .....	19
Sealant	
27615P .....	25
Shield	
38067 .....	25, 27
Shipping Brace Kit	
728P3 .....	33
Shipping Bracket	
685911 .....	33
Shipping Bracket Label	
686901 .....	33
Shipping Cord and Brace Assembly	
800364 .....	33
Shock Absorber Assembly	
800622P .....	21
800623P .....	21
Side Panel	
800004*P .....	29
800005*P .....	29

Spacer	
800015 .....	29
Speed Nut	
36020 .....	13
Spring	
800346 .....	11, 13
Strain Relief	
32219 .....	27
38384 .....	35
Switch Bracket	
800669 .....	5

Wire, 12 Gauge	
45380 .....	36
Wire, 18 Gauge	
45001 .....	36

---

## T

Temperature Switch	
687542 .....	5, 9
Timer	
687537 .....	5, 9
Timer Knob	
33898W .....	5
35333* .....	5, 9
Timer Knob Skirt	
36700* .....	5, 9
38841W .....	5
Top Cover	
505808* .....	5
Transformer	
686513 .....	23
12 Gauge Wire	
45380 .....	36

---

## V

Valve	
685766P .....	15
Vent Hose	
800424 .....	27
Vent Hose Assembly	
800424 .....	25

---

## W

Warning Label	
24903 .....	7, 31
500049 .....	19, 31, 33
500314 .....	31
500316 .....	31
Washer	
35917 .....	11
800457 .....	21
800465 .....	25, 27
Weight	
800205 .....	19
Wire Clamp Ring	
800438 .....	11, 13
Wire Clip	
36274 .....	35
504034 .....	35
687500 .....	15, 35
Wire Tie	
38663 .....	25, 27, 35
55881 .....	11, 13, 15, 35