

Commercial Stacked Dryers

“EE” and “EG” Series Dryers –
Metered and Nonmetered

Refer to Page 3 for Model Numbers

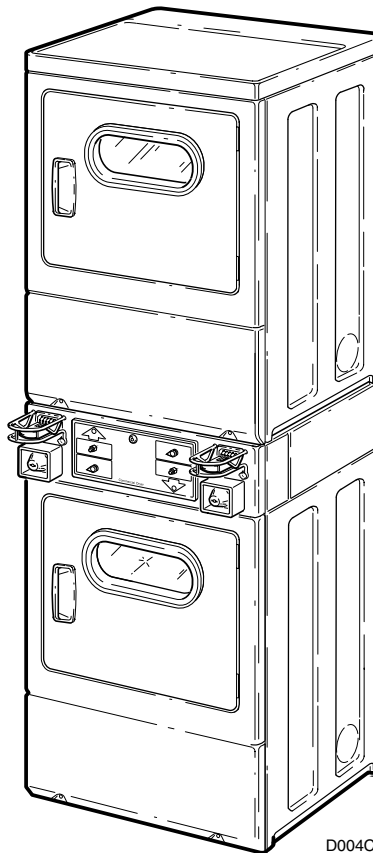


Table of Contents

Title	Page
Parts Ordering Information	2
Nameplate Location	2
Model Identification	3
Control Panel and Controls (Models EE5007 and EG5009).....	4
Control Cabinet (Models EE5007 and EG5009).....	6
Control Panel and Controls (Models EE5107, EE5107*M, EE5117, EE5117*M, EE5507, EG5109, EG5109*M, EG5119, EG5119*M and EG5509).....	8
Control Cabinet (EE5107, EE5107*M, EE5117, EE5117*M, EE5507, EG5109, EG5109*M, EG5119, EG5119*M and EG5509).....	10
Control Panel, Control and Cabinet (Models EE5807, EE5817, EE5907, EE5917, EE6907, EE6917, EG5809, EG5819, EG5909, EG5919, EG6909 and EG6919 – Prior to Serial Number 9609103021).....	12
Control Cabinet (Models EE5807, EE5817, EG5809 and EG5819 – After Serial Number 9609013021).....	14
Control Cabinet (Models EE6907, EE6917, EG6909 and EG6919).....	16
Control Panel and Controls (Models EE5607 and EG5609).....	18
Control Cabinet (Models EE5607 and EG5609).....	20
Accumulator (Models EE5107, EE5117, EE5607, EG5109, EG5119 and EG5609).....	22
Accumulator (Models EE5507 and EG5509).....	24
Loading Door (EE5007, EE5107, EE5107*M, EE5507, EE5607, EE5807, EE5907, EE6907, EG5009, EG5109, EG5109*M, EG5509, EG5609, EG5809, EG5909 and EG6909).....	26
Loading Door (Models EE5117, EE5117*M, EE5817, EE5917, EE6917, EG5119, EG5119*M, EG5819, EG5919 and EG6919).....	28
Front Panel (Lower Dryer)	30
Front Panel (Upper Dryer)	32
Motor, Exhaust Fan and Belt	34
Front Bulkhead, Air Duct, Felt Seal and Cylinder	36
Rear Bulkhead, Felt Seal, Cylinder Roller and Terminal Block	38
Heat Duct (Electric Models)	40
Heat Duct (Gas Models)	42
Gas Valve, Igniter and Gas Conversion Kits (Gas Models).....	44
Cabinet Top, Cabinet and Base (Upper Dryer).....	46
Cabinet and Base (Lower Dryer)	48
Motor Disconnect Block, Terminals and Terminal Extractor Tool.....	50
Power Cord and Terminals	52
Wire Harnesses and Wires	54
Parts Index.....	55

© Copyright 2001, Alliance Laundry Systems LLC

All rights reserved. No part of the contents of this book may be reproduced or transmitted in any form or by any means without the expressed written consent of the publisher.

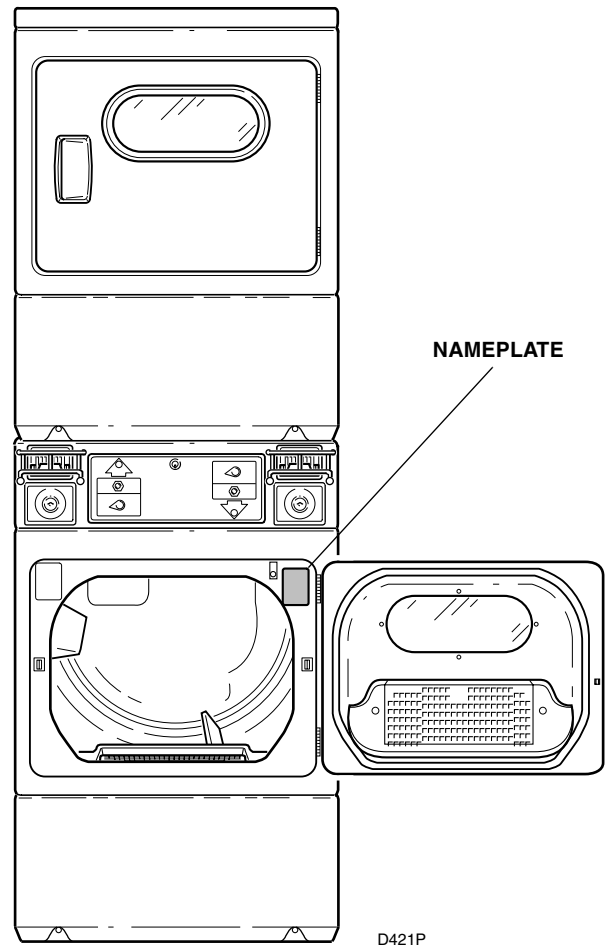
Parts Ordering Information

If literature or replacement parts are required, contact the source from whom the machine was purchased or contact Alliance Laundry Systems at (920) 748-3950 for the name and address of the nearest authorized parts distributor.

For technical assistance, call (920) 748-3121.

Nameplate Location

When calling or writing about your product, be sure to mention model and serial numbers. Model and serial numbers are located on nameplate(s) as shown.



Model Identification

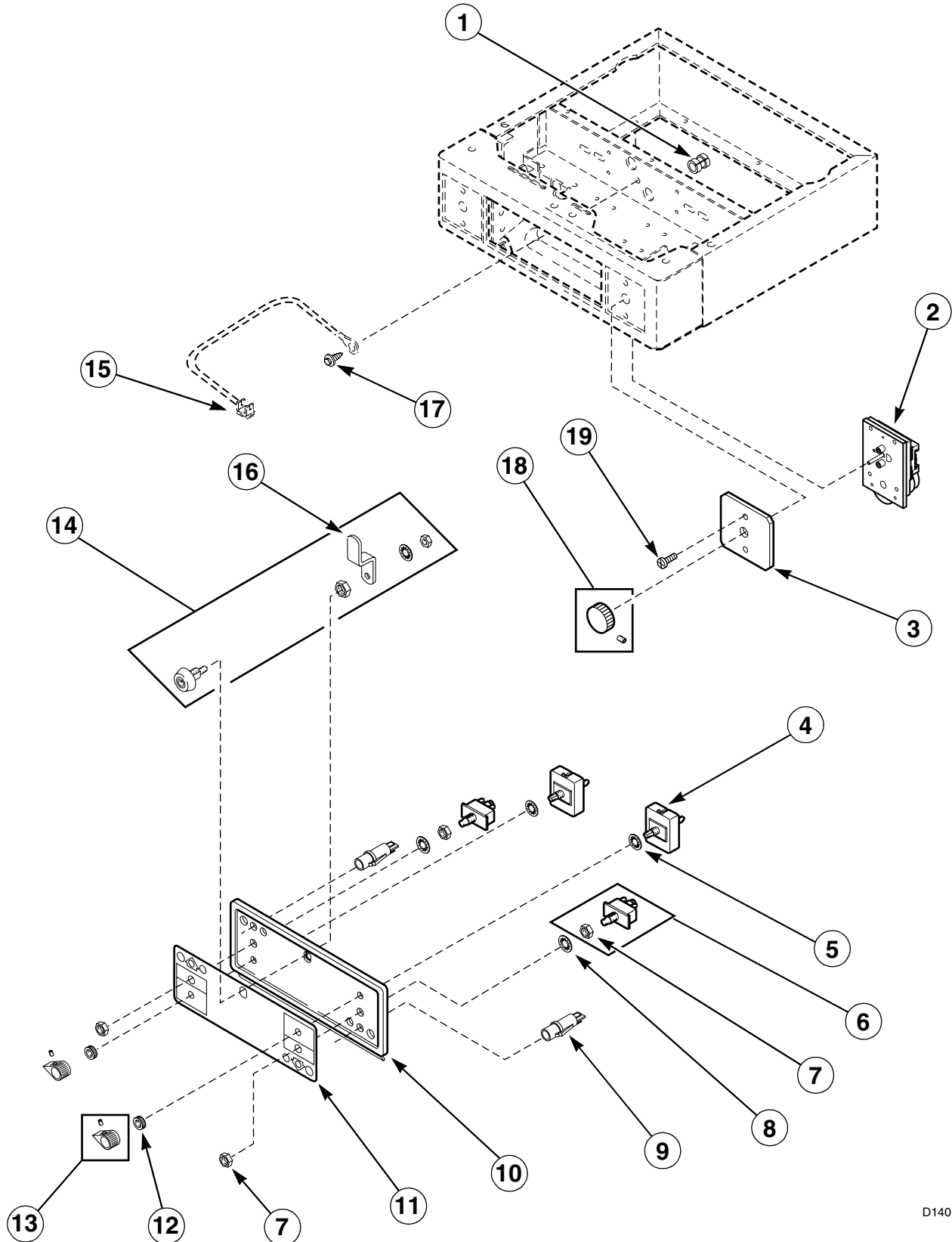
Information in this manual is applicable to these dryer models:

Model Number	Nonmetered Models	Metered Models	Audit Models	Computerized Audit Models	Electric Heat	Gas Heat	Coin Drop Installed
EE5007	X				X		
EE5107*		X			X		
EE5107*M		X			X		X
EE5117*		X			X		
EE5117*M		X			X		X
EE5507		X	X		X		
EE5607		X		X	X		
EE5807		X			X		
EE5817		X			X		
EE5907		X			X		
EE5917		X			X		
EE6907		X			X		
EE6917		X			X		
EG5009	X					X	
EG5109*		X				X	
EG5109*M		X				X	X
EG5119*		X				X	
EG5119*M		X				X	X
EG5509		X	X			X	
EG5609		X		X		X	
EG5809		X				X	
EG5819		X				X	
EG5909		X				X	
EG5919		X				X	
EG6909		X				X	
EG6919		X				X	

* Add letter to designate color: **L - Almond** **W - White**

Control Panel and Controls

(Models EE5007 and EG5009)



D140P

Control Panel and Controls

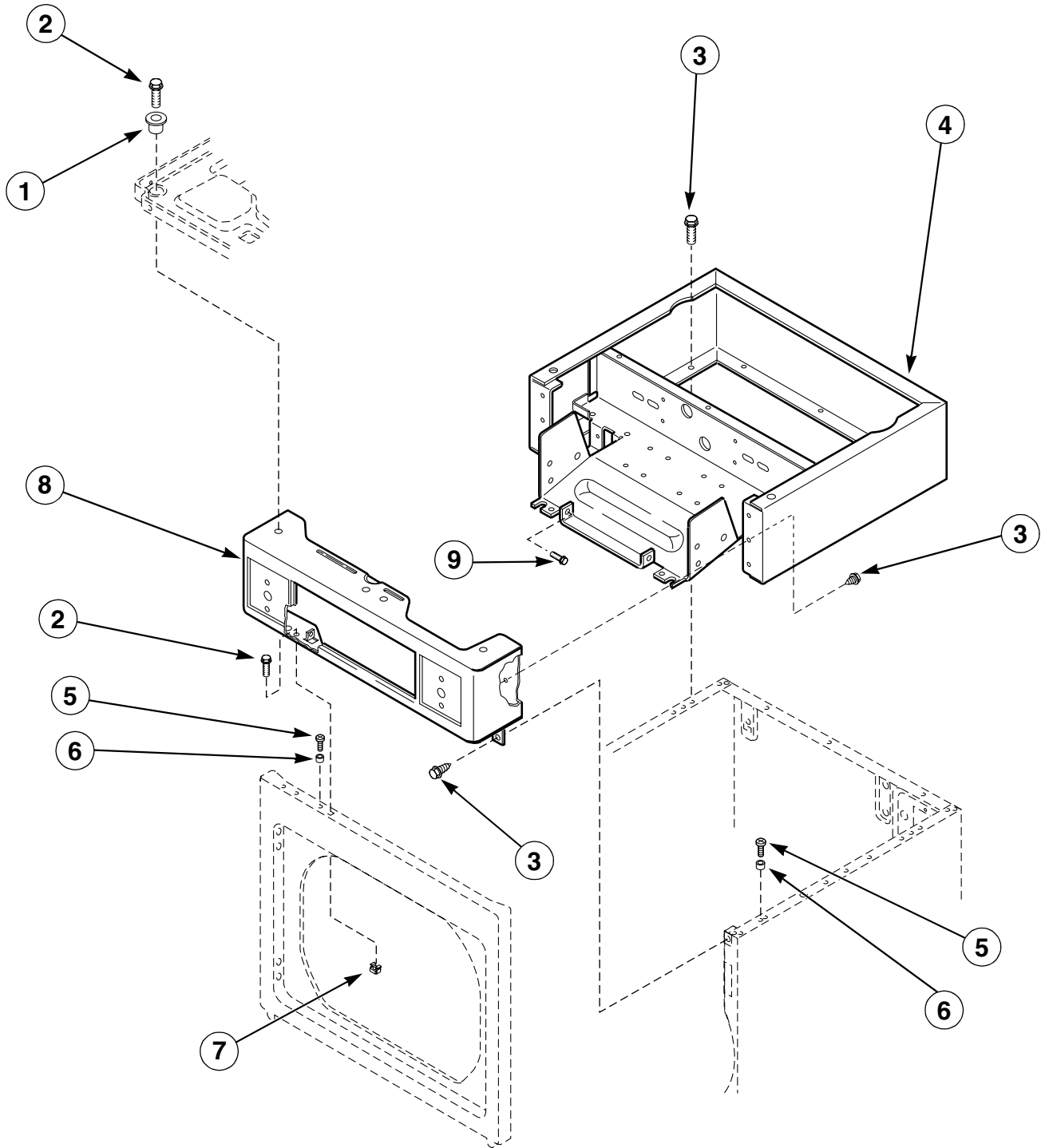
(Models EE5007 and EG5009)

REF	PART NO.	DESCRIPTION	COMMENTS
1	52151	Strain Relief	Electric models
	52113	Strain Relief	Gas models
2	510524	Timer	
3	500814	Overlay	
4	61512	Temperature Selector Switch	
5	91176	Lockwasher	
6	55882	Push-to-Start Switch Assembly	
7	52947	Nut	Included with item 6
8	25820	Lockwasher	
9	32464	Indicator Light	
10	500228*	Control Panel Frame	
11	504590	Control Panel Overlay	
12	24205	Knurled Nut	
13	39897	Control Knob Assembly	
14	27260P	Lock Assembly	
15	00161	Ground Clip	
16	27261	Cam	
17	20530	Screw	
18	54678	Time Knob Assembly	
19	27328	Screw	

* Add letter to designate color: L - Almond W - White

Control Cabinet

(Models EE5007 and EG5009)



D141P

Control Cabinet

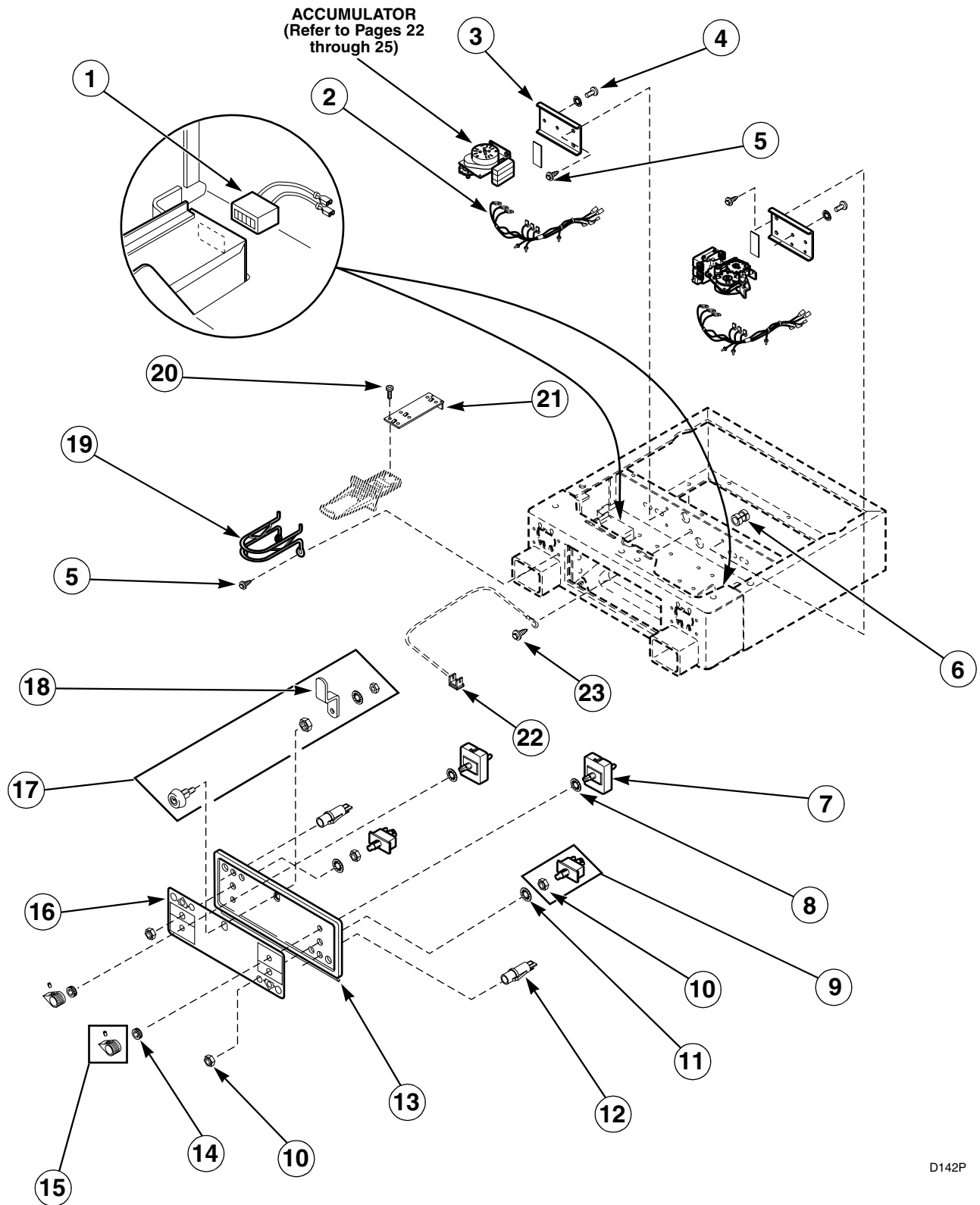
(Models EE5007 and EG5009)

REF	PART NO.	DESCRIPTION	COMMENTS
1	501307	Washer	
2	36048	Screw and Lockwasher	
3	33562	Screw	
4	505753*	Control Cabinet Wrapper	
5	32671	Screw	
6	56079	Guide Lug	
7	80077	Caged Nut	
8	500225*	Control Cabinet Front	
9	503688	Screw	

* Add letter to designate color: **L - Almond** **W - White**

Control Panel and Controls

(Models EE5107, EE5107*M, EE5117, EE5117*M, EE5507, EG5109, EG5109*M, EG5119, EG5119*M and EG5509)



D142P

Control Panel and Controls

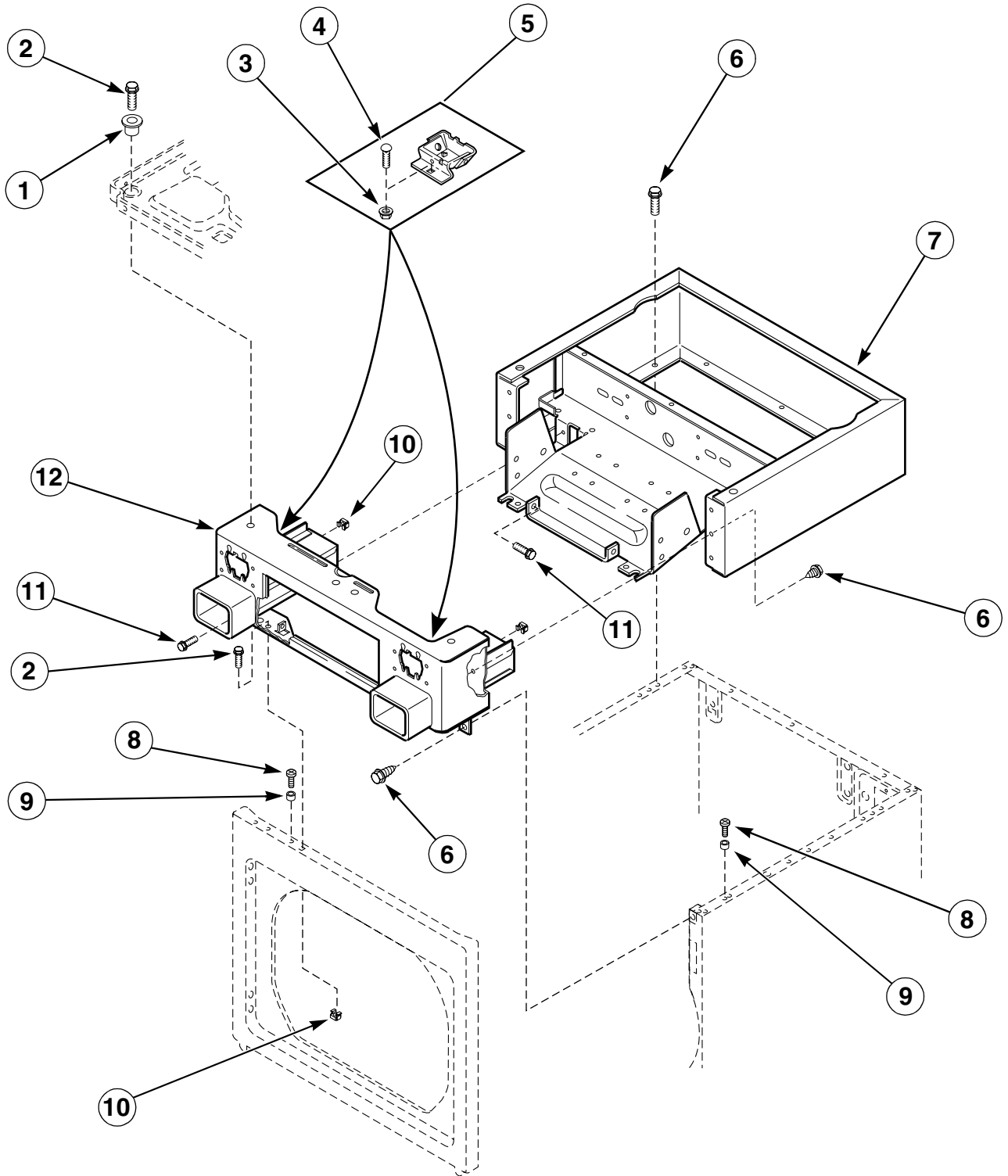
(Models EE5107, EE5107*M, EE5117, EE5117*M, EE5507, EG5109, EG5109*M, EG5119, EG5119*M and EG5509)

REF	PART NO.	DESCRIPTION	COMMENTS
1	62113P	Counter Kit	Models EE5507 and EG5509
2	510661P	Wire Harness	
3	558P3	Timer Bracket Kit	
4	03203	Screw	
5	33562	Screw	
6	52151	Strain Relief	Electric models
	52113	Strain Relief	Gas models
7	61512	Temperature Selector Switch	
8	91176	Lockwasher	
9	55882	Push-to-Start Switch Assembly	
10	52947	Nut	Included with item 9
11	25820	Lockwasher	
12	32464	Indicator Light	
13	500228*	Control Panel Frame	
14	24205	Knurled Nut	
15	39897	Control Knob Assembly	
16	504590	Control Panel Overlay	
17	27260	Lock Assembly	
18	27261	Cam	
19	58181	Coin Slide Guard	
20	03950	Screw	
21	503455	Slide Extension	
22	00161	Ground Clip	
23	20530	Screw	

* Add letter to designate color: **L - Almond** **W - White**

Control Cabinet

(Models EE5107, EE5107*M, EE5117, EE5117*M, EE5507, EG5109, EG5109*M, EG5119, EG5119*M and EG5509)



D143P

Control Cabinet

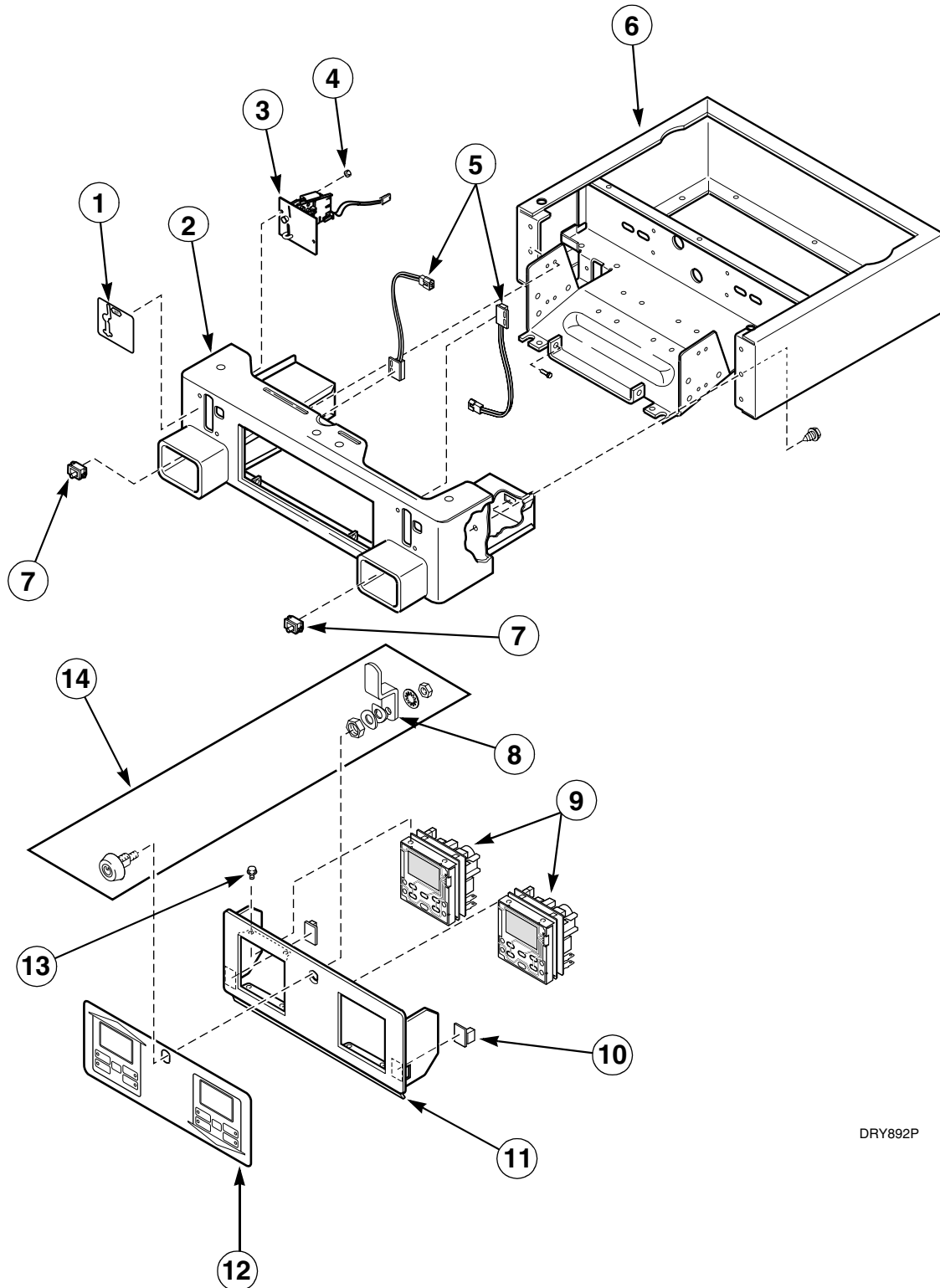
(Models EE5107, EE5107*M, EE5117, EE5117*M, EE5507, EG5109, EG5109*M, EG5119, EG5119*M and EG5509)

REF	PART NO.	DESCRIPTION	COMMENTS
1	501307	Washer	
2	36048	Screw and Lockwasher	
3	29796	Nut	
4	29651	Bolt	
5	523P3	Coin Funnel Kit	
6	33562	Screw	
7	505753*	Control Cabinet Wrapper	
8	39733	Screw	
9	56079	Guide Lug	
10	80077	Caged Nut	
11	503688	Screw	
12	500847*	Control Cabinet Front	

* Add letter to designate color: L - Almond W - White

Control Panel, Control and Cabinet

(Models EE5807, EE5817, EE5907, EE5917, EE6907, EE6917, EG5809, EG5819, EG5909, EG5919, EG6909 and EG6919 – Prior to Serial Number 9609103021)



DRY892P

Control Panel, Control and Cabinet

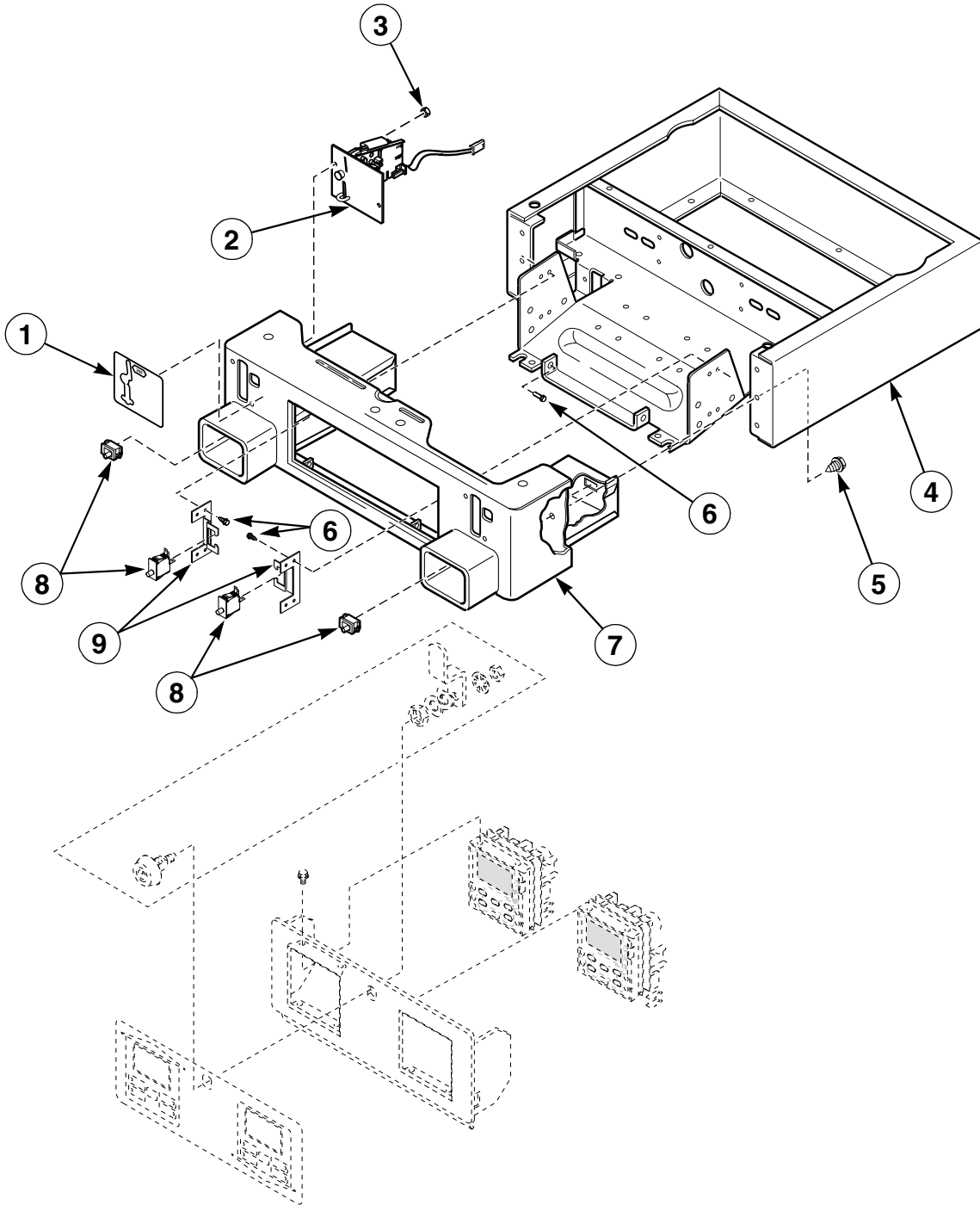
(Models EE5807, EE5817, EE5907, EE5917, EE6907, EE6917, EG5809, EG5819, EG5909, EG5919,
EG6909 and EG6919 – Prior to Serial Number 9609103021)

REF	PART NO.	DESCRIPTION	COMMENTS
1	38717	Front Overlay	
2	501367*	Control Cabinet Front	
3	38479	Coin Drop Assembly	
4	29786	Locknut	
5	34599	Switch	
6	505753*	Control Cabinet Wrapper	
7	504570	Switch	
8	27261	Cam	
9	M414050P	Control	
10	501453	Magnet	
11	501346*	Control Panel Frame	
12	504117	Control Panel Overlay	
13	501524	Screw	
14	27260	Lock Assembly	

* Add letter to designate color: L - Almond W - White

Control Cabinet

(Models EE5807, EE5817, EG5809 and EG5819 – After Serial Number 9609013021)



DRY114P

Control Cabinet

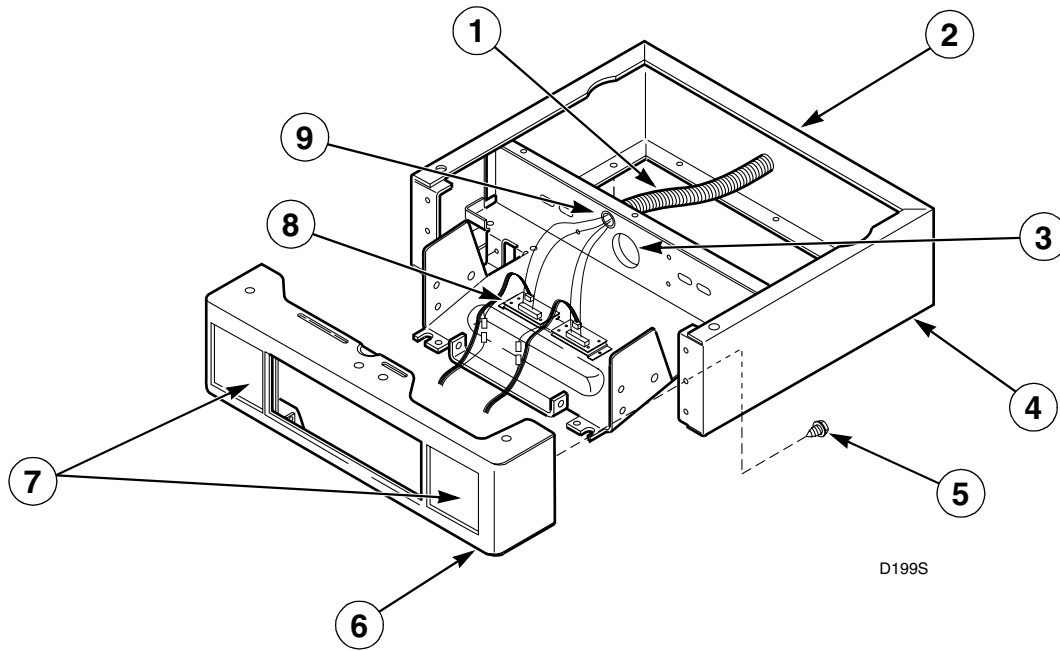
(Models EE5807, EE5817, EG5809 and EG5819 – After Serial Number 9609013021)

REF	PART NO.	DESCRIPTION	COMMENTS
1	38717	Front Overlay	
2	38479	Coin Drop Assembly	
3	29786	Locknut	
4	505753*	Control Cabinet Wrapper	
5	33562	Screw	
6	503688	Screw	
7	500225	Control Cabinet Front	
8	504570	Switch	
9	38087	Switch Bracket	

* Add letter to designate color: **L - Almond** **W - White**

Control Cabinet

(Models EE6907, EE6917, EG6909 and EG6919)



D199S

Control Cabinet

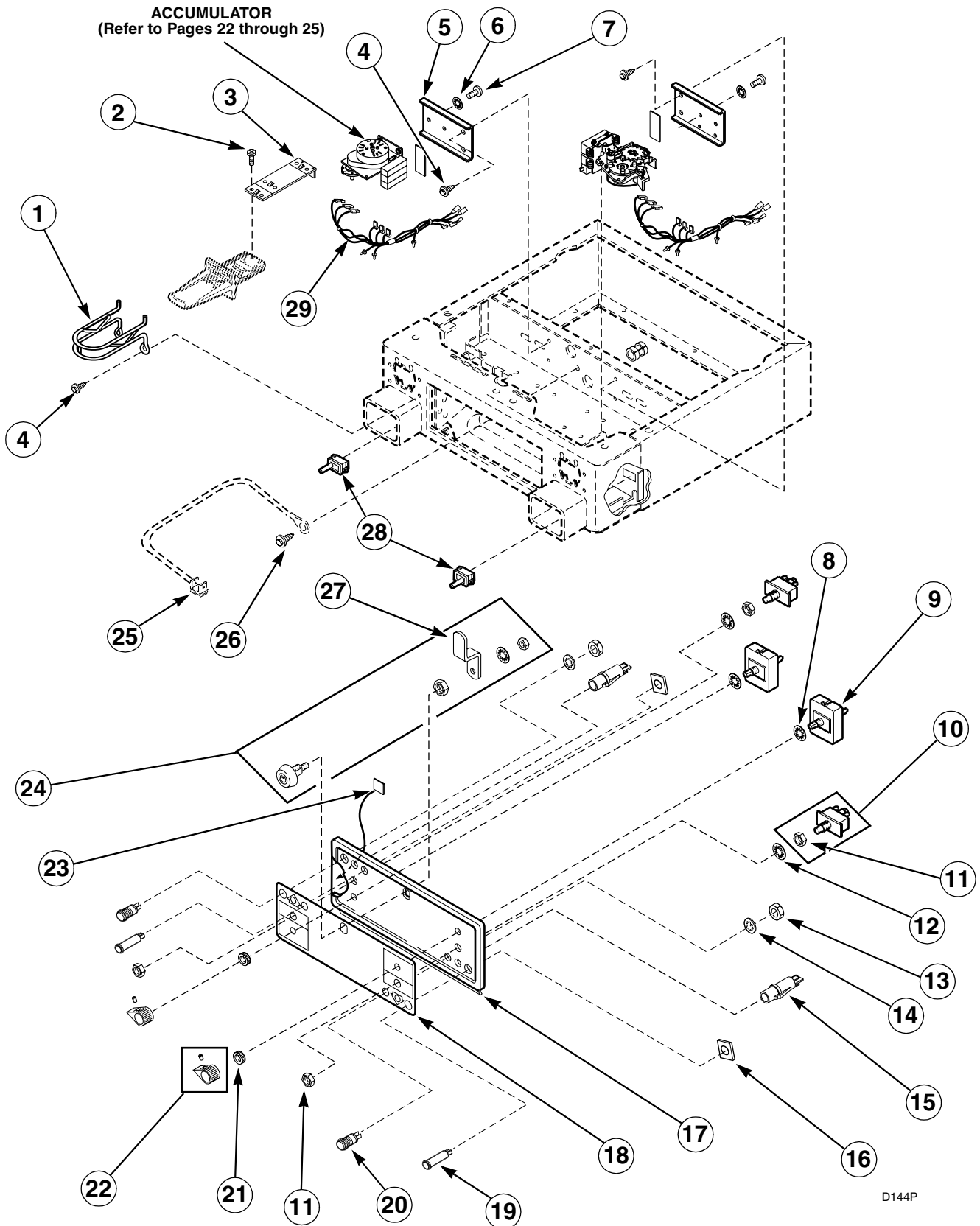
(Models EE6907, EE6917, EG6909 and EG6919)

REF	PART NO.	DESCRIPTION	COMMENTS
1	503237	Flexible Tubing	
2	503236	Small Snap Bushing	
3	503235	Large Snap Bushing	
4	503124*	Security Wrapper	
5	33562	Screw	
6	500225	Control Cabinet Front	
7	37589	Overlay	
8	37386P	Circuit Board	
9	503238	Wire Connector	

* Add letter to designate color: **L - Almond** **W - White**

Control Panel and Controls

(Models EE5607 and EG5609)



Control Panel and Controls

(Models EE5607 and EG5609)

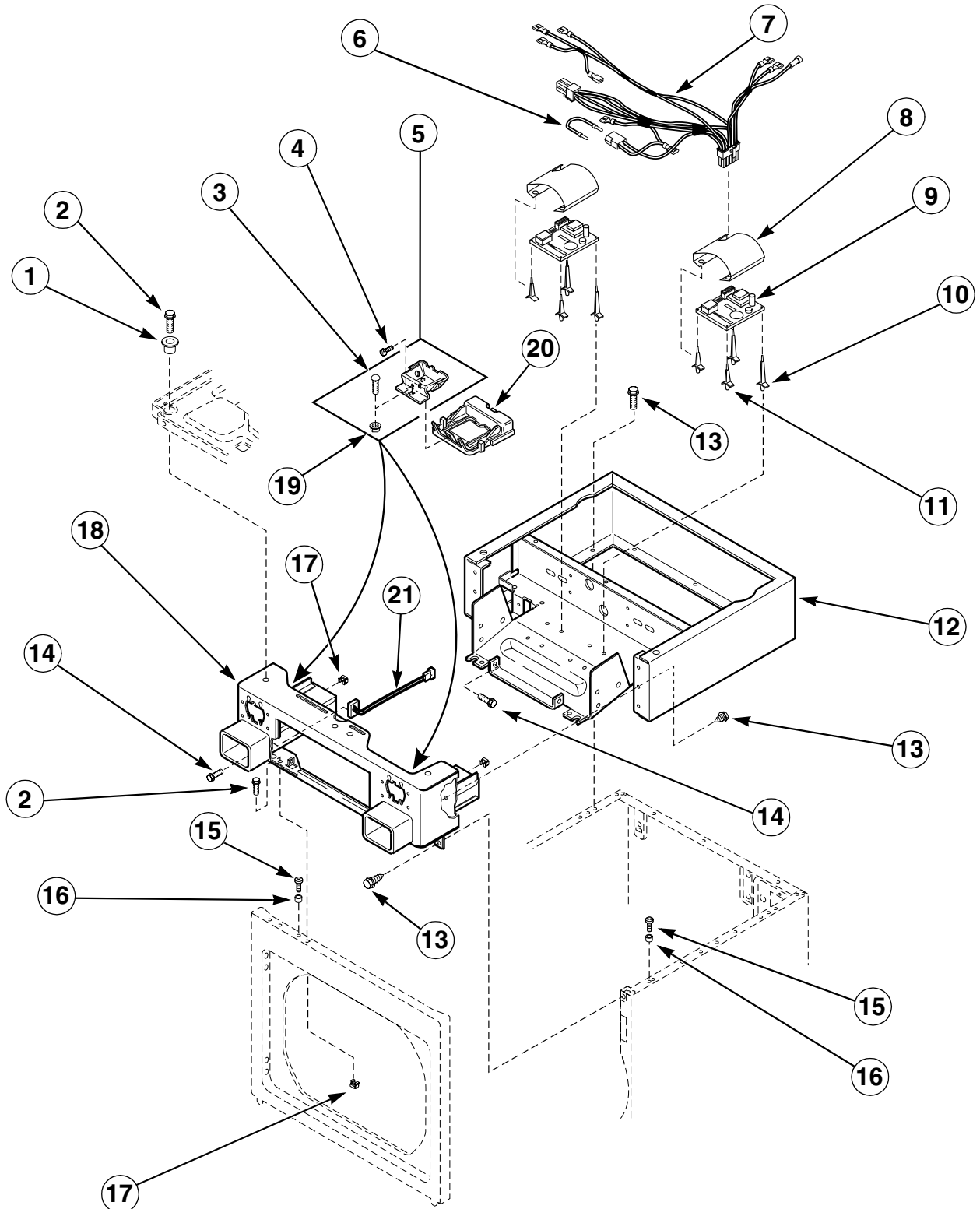
REF	PART NO.	DESCRIPTION	COMMENTS
1	58181	Coin Slide Guard	
2	03950	Screw	
3	503455	Slide Extension	
4	33562	Screw	
5	558P3	Accumulator Bracket	
6	21734	Lockwasher	
7	03203	Screw	
8	91176	Lockwasher	
9	61512	Temperature Selector Switch	
10	55882	Push-to-Start Switch Assembly	
11	52947	Nut	Included with item 10
12	25820	Lockwasher	
13	35322	Nut	
14	35321	Washer	
15	32464	Indicator Light	
16	34762	Push-on Clip	
17	500848*	Control Panel Frame	
18	500259	Control Panel Overlay	
19	34701	Transmit Light	
20	34721	Transmit Switch	N/A
21	24205	Knurled Nut	
22	39897	Control Knob Assembly	
23	501453	Magnet	
24	27260P	Lock Assembly	
25	00161	Ground Clip	
26	20530	Screw	
27	27261	Cam	
28	504570	Switch	
29	510534P	Wire Harness	

* Add letter to designate color: L - Almond W - White

N/A – No longer available

Control Cabinet

(Models EE5607 and EG5609)



D145P

Control Cabinet

(Models EE5607 and EG5609)

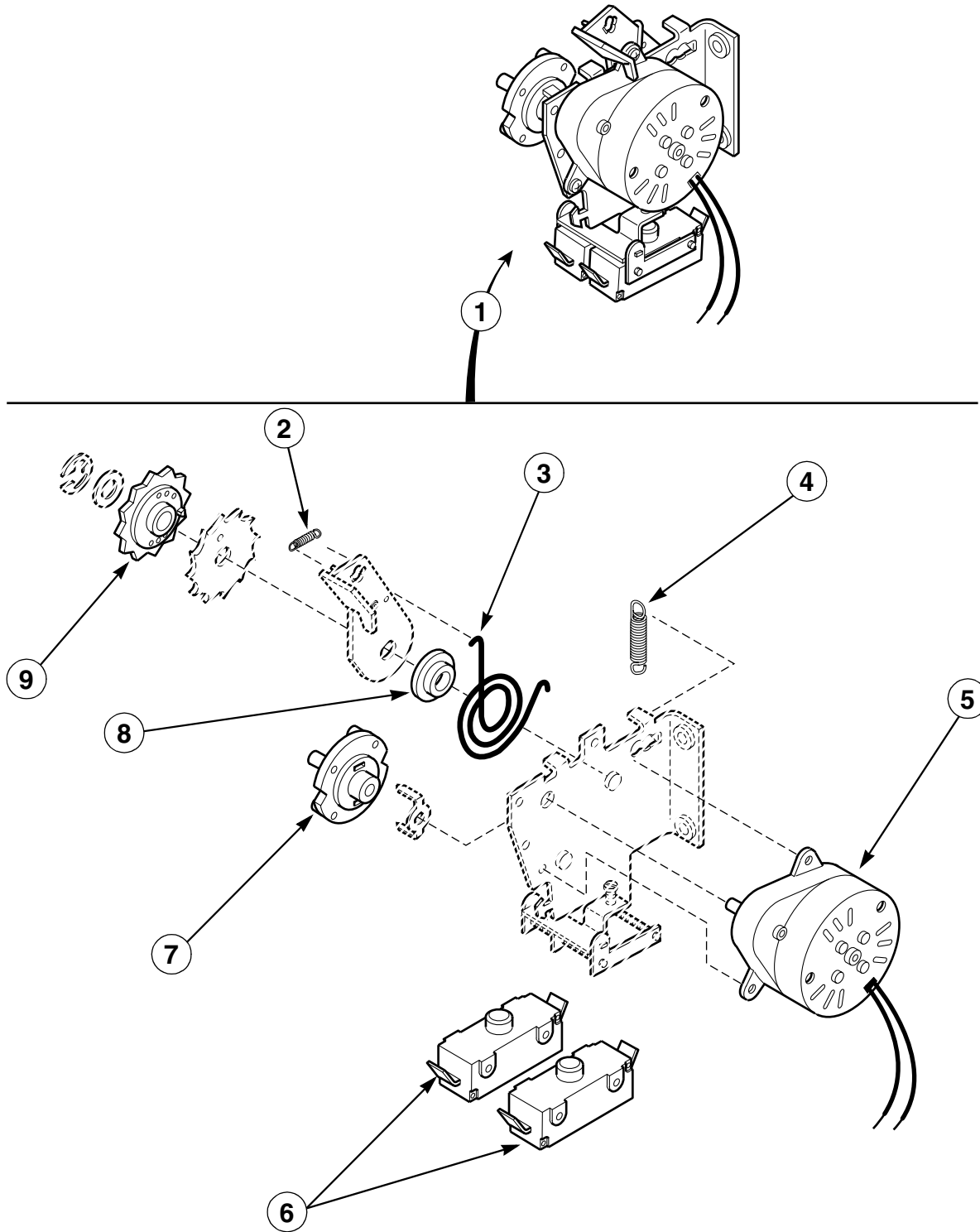
REF	PART NO.	DESCRIPTION	COMMENTS
1	501307	Washer	
2	36048	Screw and Lockwasher	
3	29651	Bolt	
4	31260	Screw	
5	523P3	Coin Funnel Kit	
6	501313	Jumper Wire	Right harness only; N/A
7	501311	Wire Harness	
8	501315	Shield	N/A
9	34522	Printed Circuit Board	
10	500951	Support	Rear
11	34896	Support	Front
12	505753*	Control Cabinet Wrapper	
13	33562	Screw	
14	503688	Screw	
15	39733	Screw	
16	56079	Guide Lug	
17	80077	Caged Nut	
18	500847*	Control Cabinet Front	
19	29796	Nut	
20	35026	Sensor Control	
21	34599	Switch	

* Add letter to designate color: L - Almond W - White

N/A – No longer available

Accumulator

(Models EE5107, EE5117, EE5607, EG5109, EG5119 and EG5609)



D125P

Accumulator

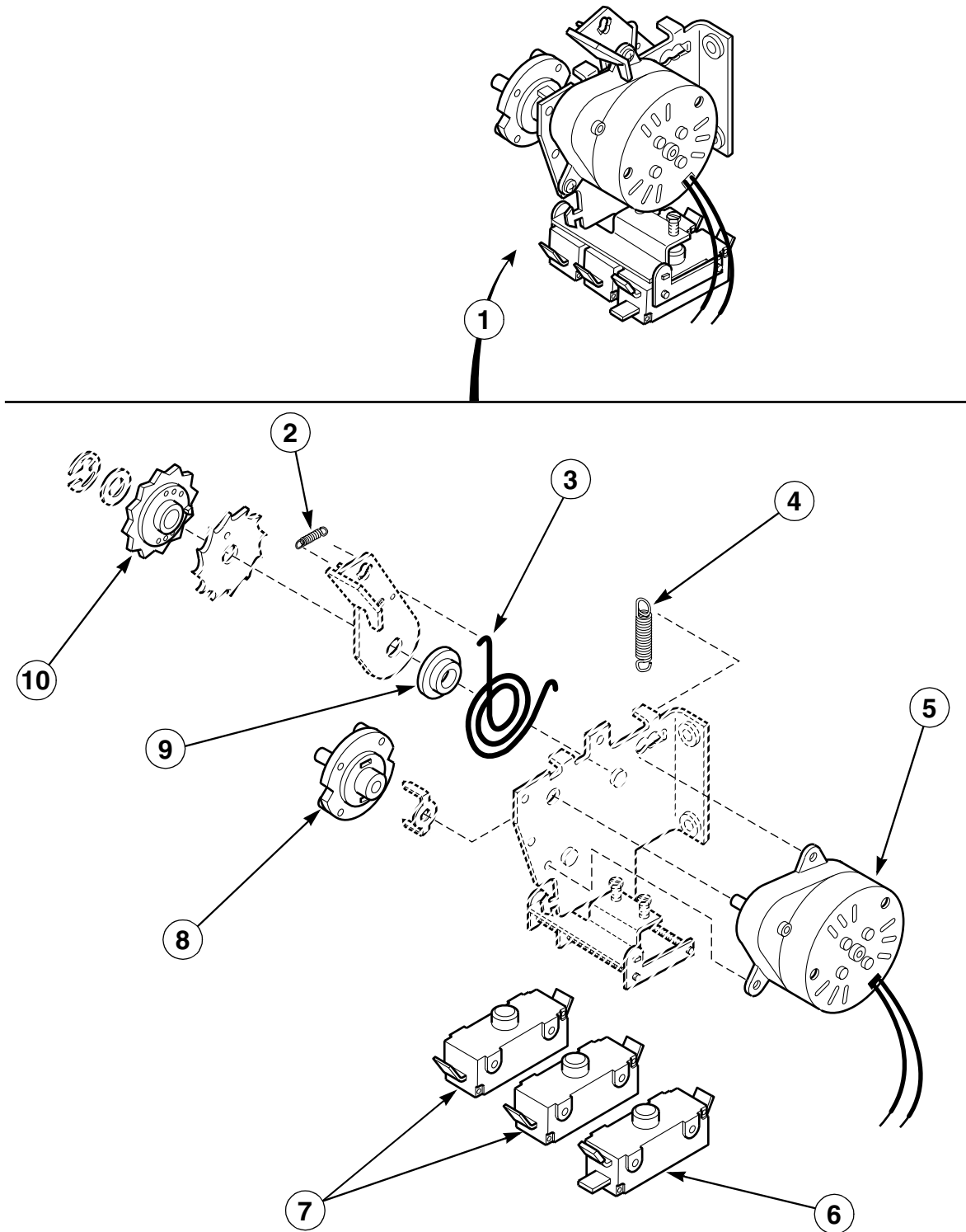
(Models EE5107, EE5117, EE5607, EG5109, EG5119 and EG5609)

REF	PART NO.	DESCRIPTION	COMMENTS
1	510628P	Accumulator	
2	53244	Pawl Spring	
3	53261	Return Spring	
4	53238	Index Spring	N/A
5	53235P	Timing Motor	
6	53236	Switch	
7	53240	Timing Cam	60 minute; 3 pins
	53241	Timing Cam	45 minute; 4 pins
	53242	Timing Cam	30 minute; 6 pins
	53243	Timing Cam	20 minute; 9 pins
8	53262	Nylon Bushing	N/A
9	53239	Ratchet Wheel	

N/A – No longer available

Accumulator

(Models EE5507 and EG5509)



D126P

Accumulator

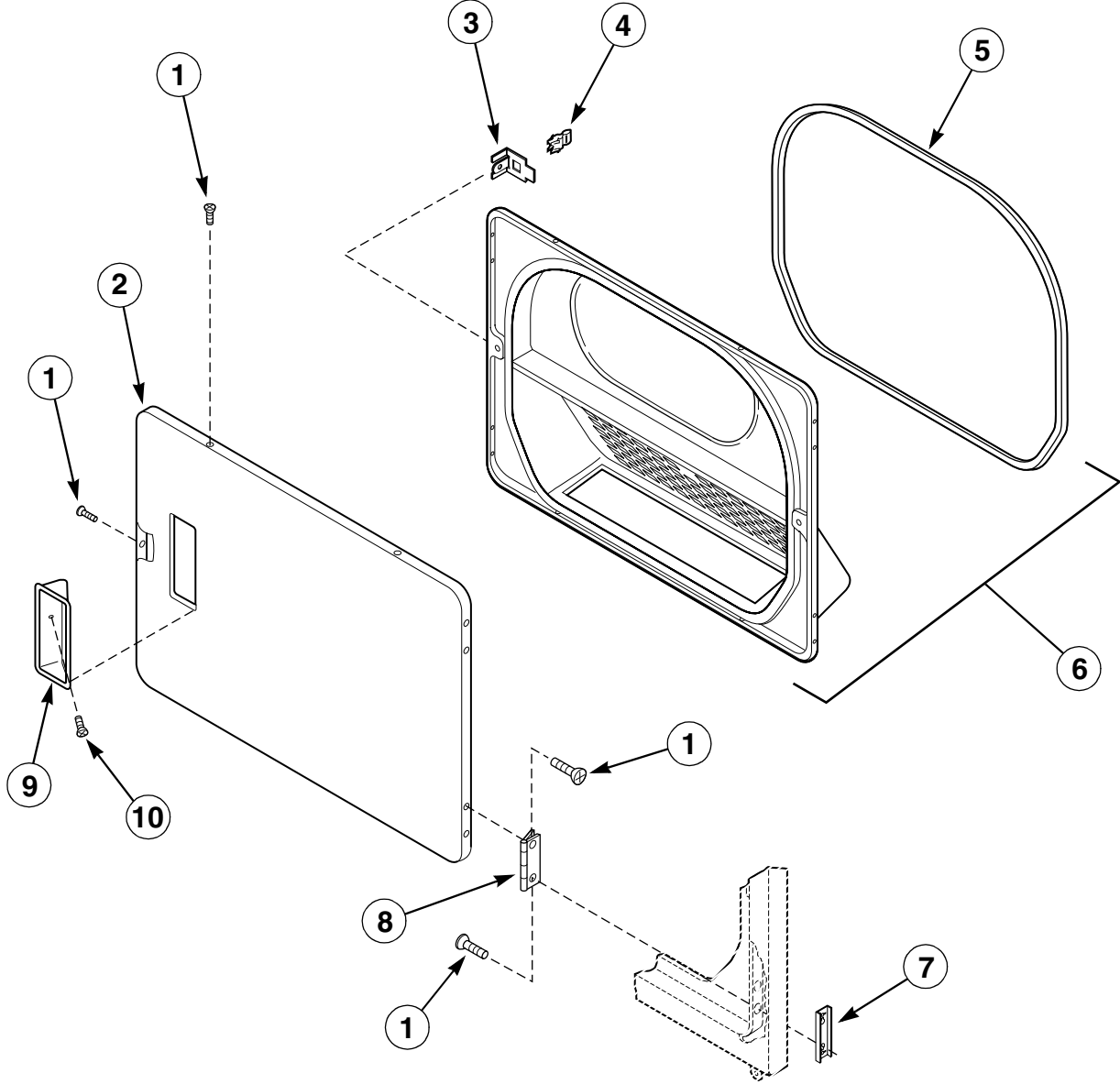
(Models EE5507 and EG5509)

REF	PART NO.	DESCRIPTION	COMMENTS
1	510630P	Accumulator	
2	53244	Pawl Spring	
3	53261	Return Spring	
4	53238	Index Spring	N/A
5	53235P	Timing Motor	
6	61468	Switch	
7	53236	Switch	
8	53240	Timing Cam	60 minute; 3 pins
	53241	Timing Cam	45 minute; 4 pins
	53242	Timing Cam	30 minute; 6 pins
	53243	Timing Cam	20 minute; 9 pins
9	53262	Nylon Bushing	N/A
10	53239	Ratchet Wheel	

N/A – No longer available

Loading Door

(Models EE5007, EE5107, EE5107*M, EE5507, EE5607, EE5807, EE5907, EE6907, EG5009, EG5109, EG5109*M, EG5509, EG5609, EG5809, EG5909 and EG6909)



D146P

Loading Door

(Models EE5007, EE5107, EE5107*M, EE5507, EE5607, EE5807, EE5907, EE6907, EG5009, EG5109, EG5109*M, EG5509, EG5609, EG5809, EG5909 and EG6909)

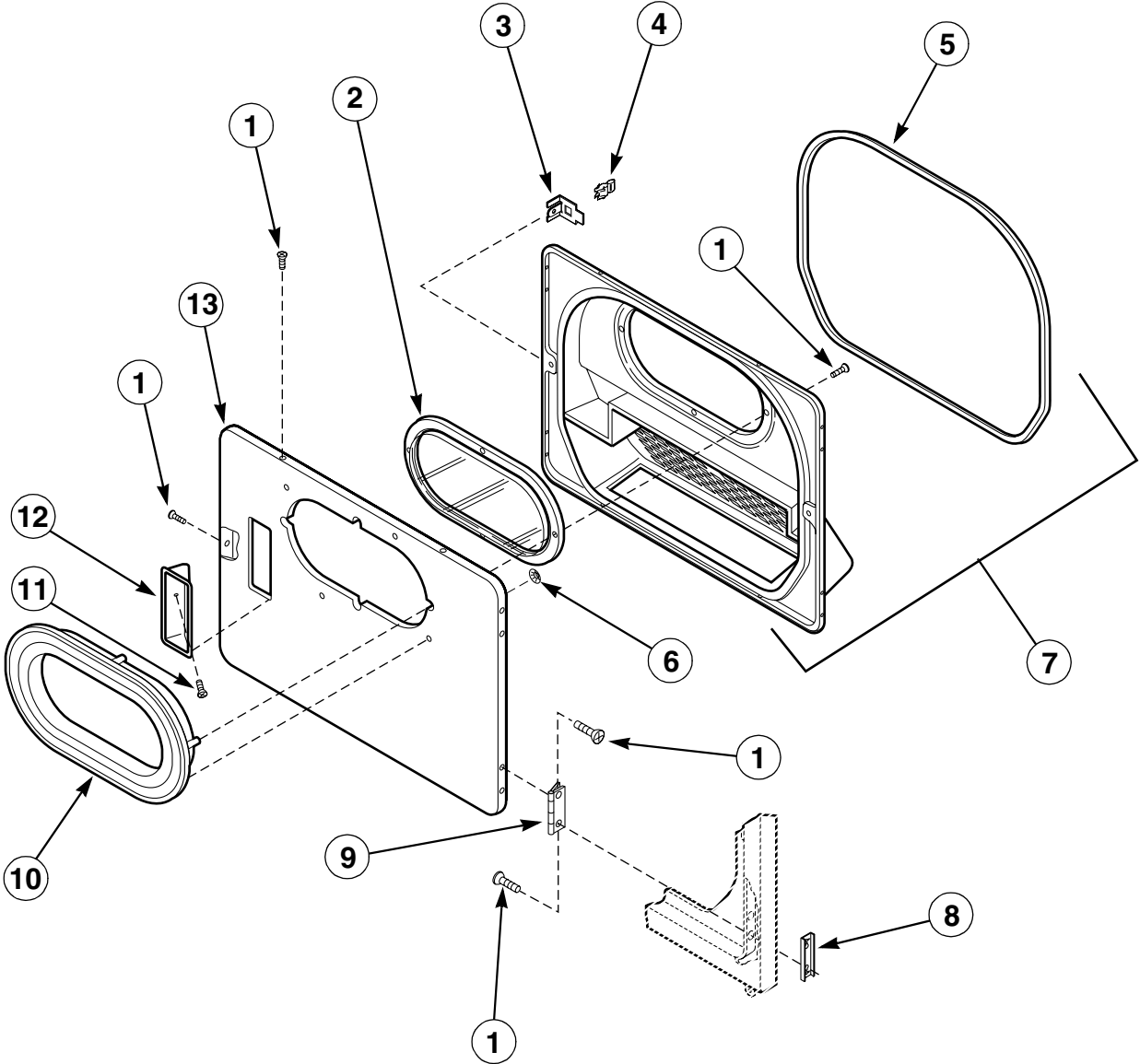
REF	PART NO.	DESCRIPTION	COMMENTS
1	500226	Screw	
2	500040*	Outer Door Panel	
3	510127	Door Striker Bracket	
4	510181	Door Striker	
5	500200	Door Seal	
6	500199	Inner Door Panel and Seal	
7	500236	Door Hinge Mounting Clip	
8	510519	Door Hinge	
9	500042*	Door Pull	
10	500297	Screw	N/A

* Add letter to designate color: **L - Almond** **W - White**

N/A – No longer available

Loading Door

(Models EE5117, EE5117*M, EE5817, EE5917, EE6917, EG5119, EG5119*M, EG5819, EG5919 and EG6919)



D147P

Loading Door

(Models EE5117, EE5117*M, EE5817, EE5917, EE6917, EG5119, EG5119*M, EG5819, EG5919 and EG6919)

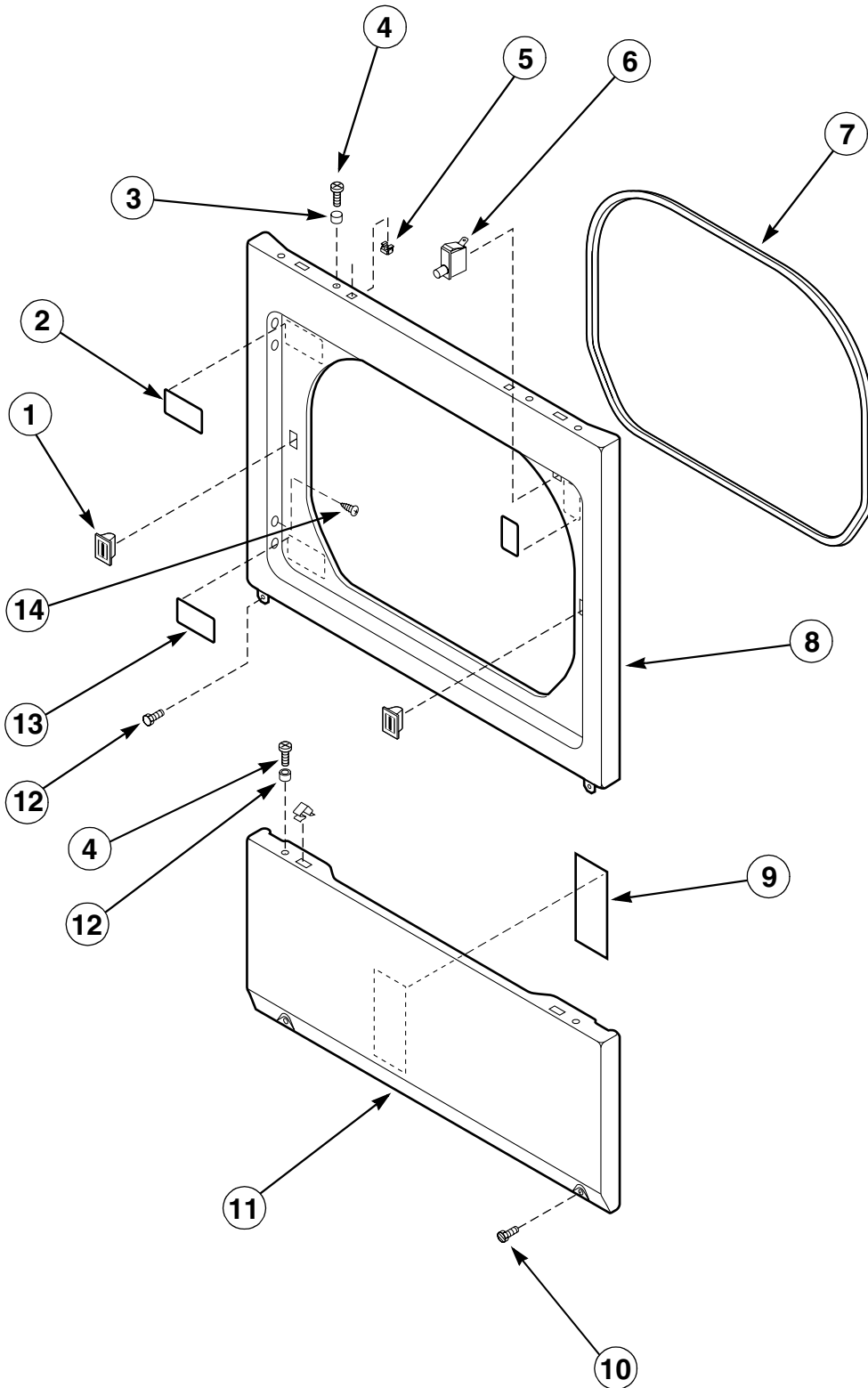
REF	PART NO.	DESCRIPTION	COMMENTS
1	500226	Screw	
2	500231	Window	
3	510127	Door Striker Bracket	
4	510181	Door Striker	
5	500200	Door Seal	
6	58030	Push Nut	
7	500410	Inner Door Panel and Seal	
8	500236	Door Hinge Mounting Bracket	
9	510519	Door Hinge	
10	500202*	Window Trim	
11	500297	Screw	N/A
12	500042*	Door Pull	
13	500201*	Outer Door Panel	

* Add letter to designate color: **L - Almond** **W - White**

N/A – No longer available

Front Panel

(Lower Dryer)



D148P

Front Panel

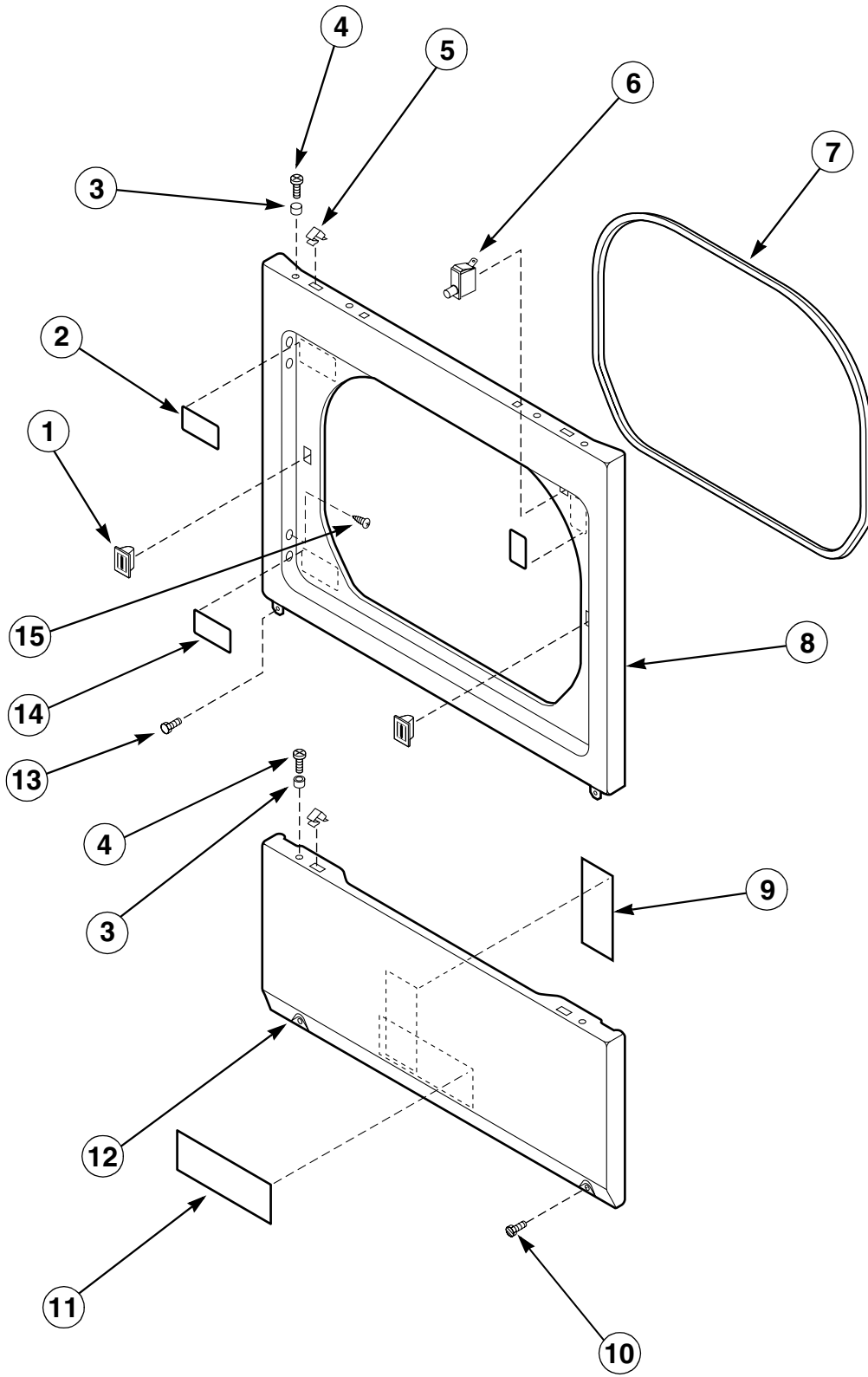
(Lower Dryer)

REF	PART NO.	DESCRIPTION	COMMENTS
	282P4	Torx Bit	Use with 62853 Screw
	24161	Torx Bit Holder	Use with 62853 Screw
1	510177	Striker Catch	
2	500281	Sticker	
3	56079	Guide Lug	
4	39733	Screw	
5	80077	Caged Nut	Optional
6	504570	Door Switch	
7	500034	Front Panel Seal	
8	500033*	Front Panel	
9	511004	Sticker	Gas models
10	33562	Screw	
	62853	Screw	Optional for added security
11	510069*	Lower Access Panel	
12	503688	Screw	
13	502804	Sticker	
14	500227	Screw	

* Add letter to designate color: **L - Almond** **W - White**

Front Panel

(Upper Dryer)



D149P

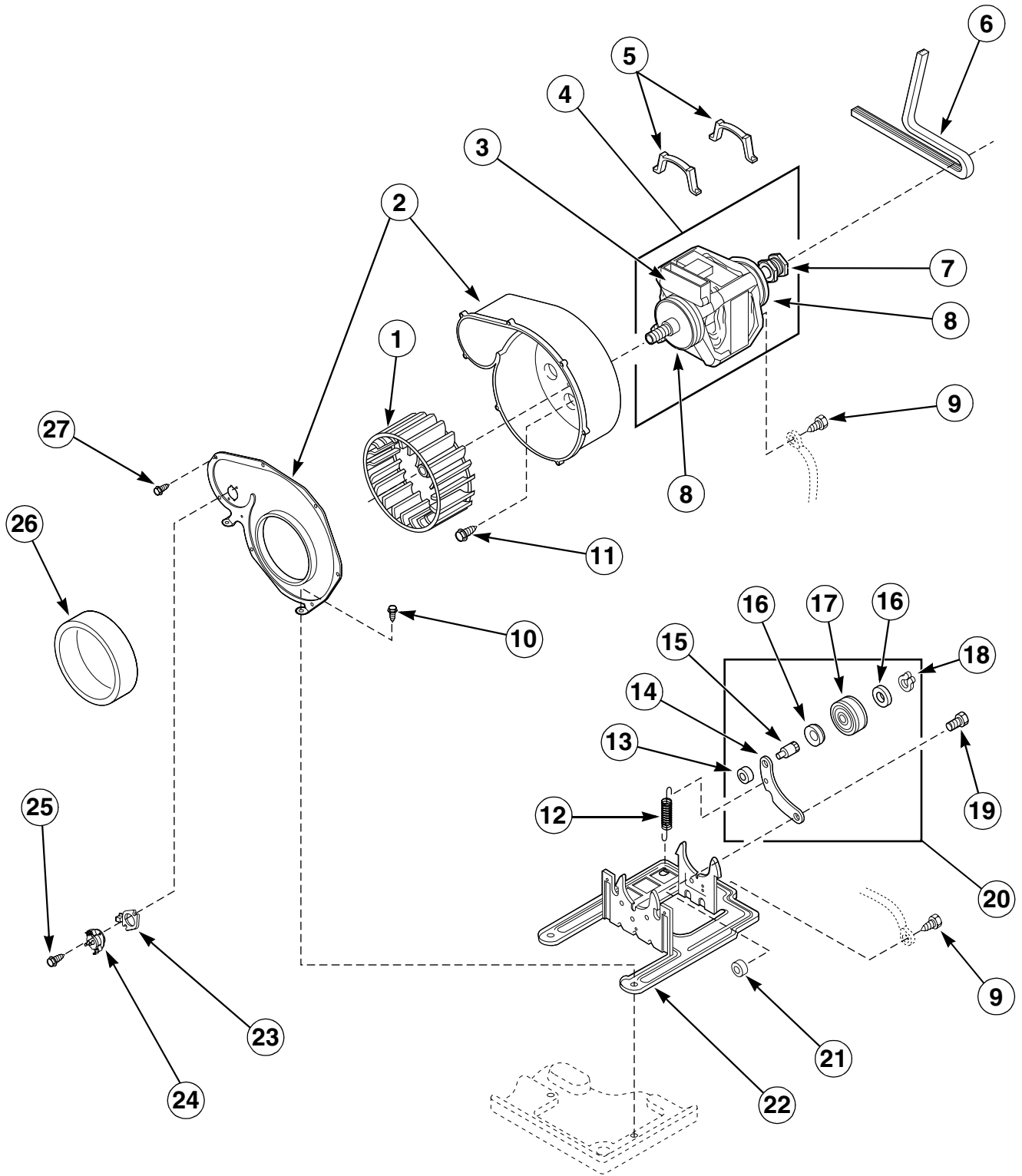
Front Panel

(Upper Dryer)

REF	PART NO.	DESCRIPTION	COMMENTS
	282P4	Torx Bit	Use with 62853 Screw
	24161	Torx Bit Holder	Use with 62853 Screw
1	510177	Striker Catch	
2	500281	Sticker	
3	56079	Guide Lug	
4	39733	Screw	
5	28835	Hold-down Clip	
6	504570	Door Switch	
7	500034	Front Panel Seal	
8	500033*	Front Panel	
9	511004	Sticker	Gas models
10	33562	Screw	
	62853	Screw	Optional for added security
11	500390	Instructions Sticker	
12	510069*	Lower Access Panel	
13	503688	Screw	
14	502804	Sticker	
15	500227	Screw	

* Add letter to designate color: L - Almond W - White

Motor, Exhaust Fan and Belt



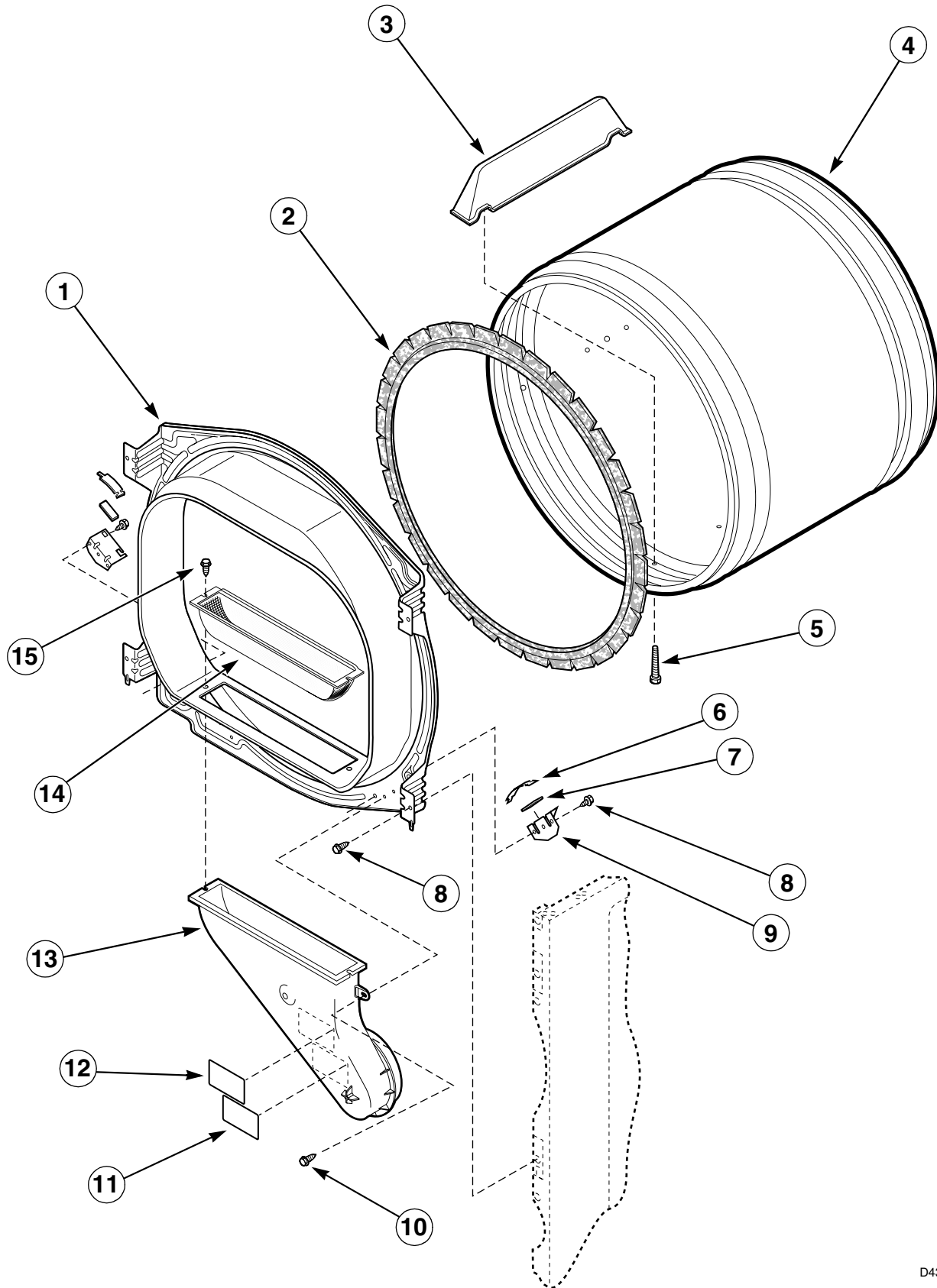
D433P

Motor, Exhaust Fan and Belt

REF	PART NO.	DESCRIPTION	COMMENTS
1	510139	Exhaust Fan Impeller	
2	519038P	Exhaust Fan Housing	
3	501218P	Motor Switch	
4	510508P	Motor Assembly	120 Volt/60 Hertz
	505843P	Motor Assembly	Export models: 240 Volt/50 Hertz
5	510180	Motor Clips	
6	510178	Belt	
7	500011	Motor Pulley	
8	58044A	Motor Locking Mount	N/A
9	20530	Screw	
10	33562	Screw	
11	503661	Screw	
12	510185	Spring	
13	56156	Locknut	
14	510133	Idler Lever	
15	56461	Shaft	
16	52549	Washer	
17	510142	Idler Pulley	
18	23748	Retainer Ring	
19	500824	Shoulder Bolt	
20	510158	Idler Pulley and Lever Assembly	
21	52566	Locknut	
22	510060	Motor Mounting Bracket	
23	61401	Thermostat Heater	
24	503552	Thermostat	
25	501086	Screw	
26	500313	Seal	
27	31260	Screw	

N/A – No longer available

Front Bulkhead, Air Duct, Felt Seal and Cylinder



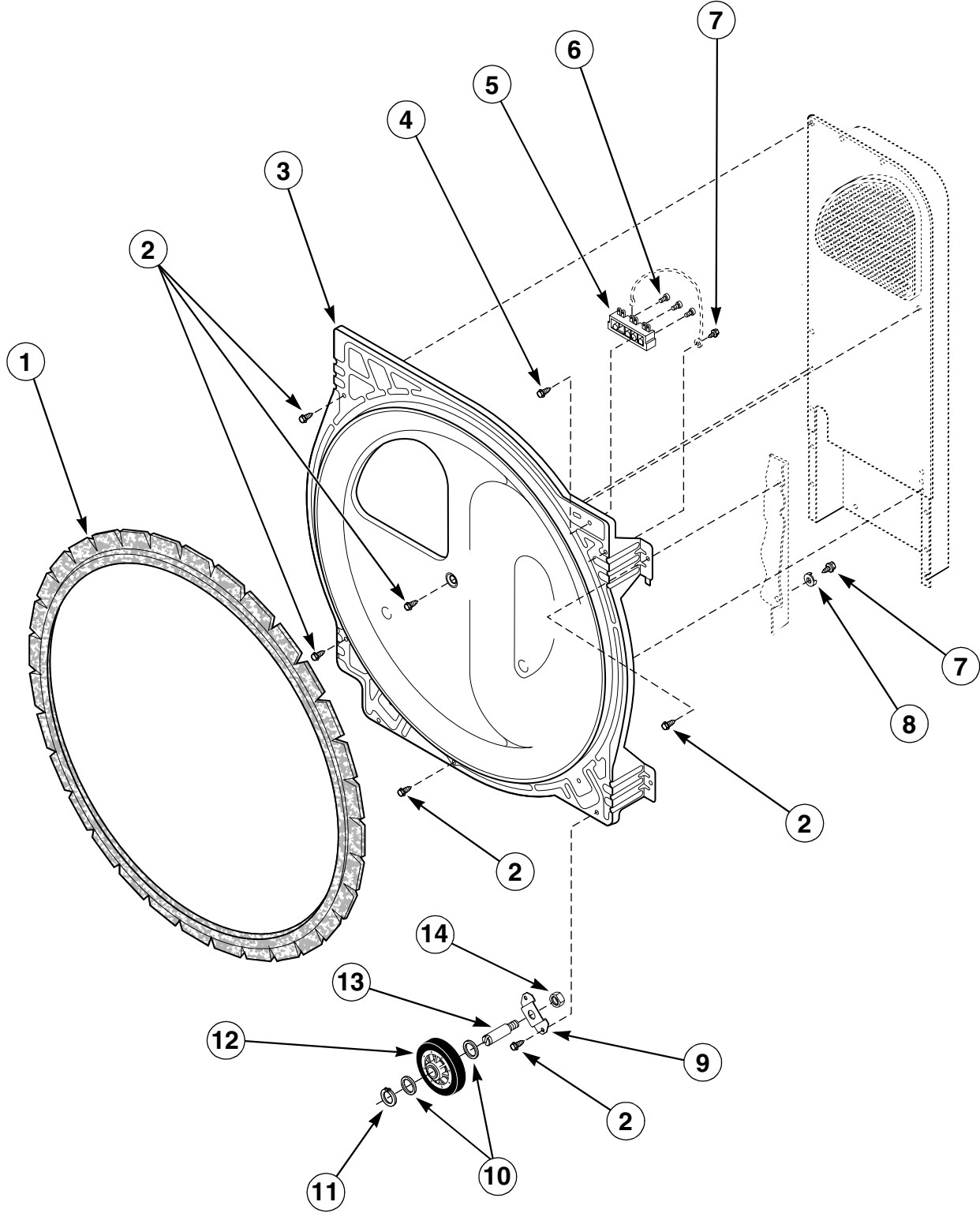
D434P

Front Bulkhead, Air Duct, Felt Seal and Cylinder

REF	PART NO.	DESCRIPTION	COMMENTS
1	500091P	Front Bulkhead Assembly	Includes items 2 and 6 – 9
2	510207P	Cylinder Seal	
3	510102	Baffle	
4	500095P	Cylinder Assembly	Includes item 3
5	62588	Screw	
6	510187	Cylinder Glide Assembly	
7	500121	Felt Pad	
8	503688	Screw	
9	510145	Glide Bracket	
10	503661	Screw	
11	56249	Sticker	N/A
12	500049	Sticker	
13	502231	Air Duct	
14	502140P	Lint Filter	
15	500226	Screw	

N/A – No longer available

Rear Bulkhead, Felt Seal, Cylinder Roller and Terminal Block



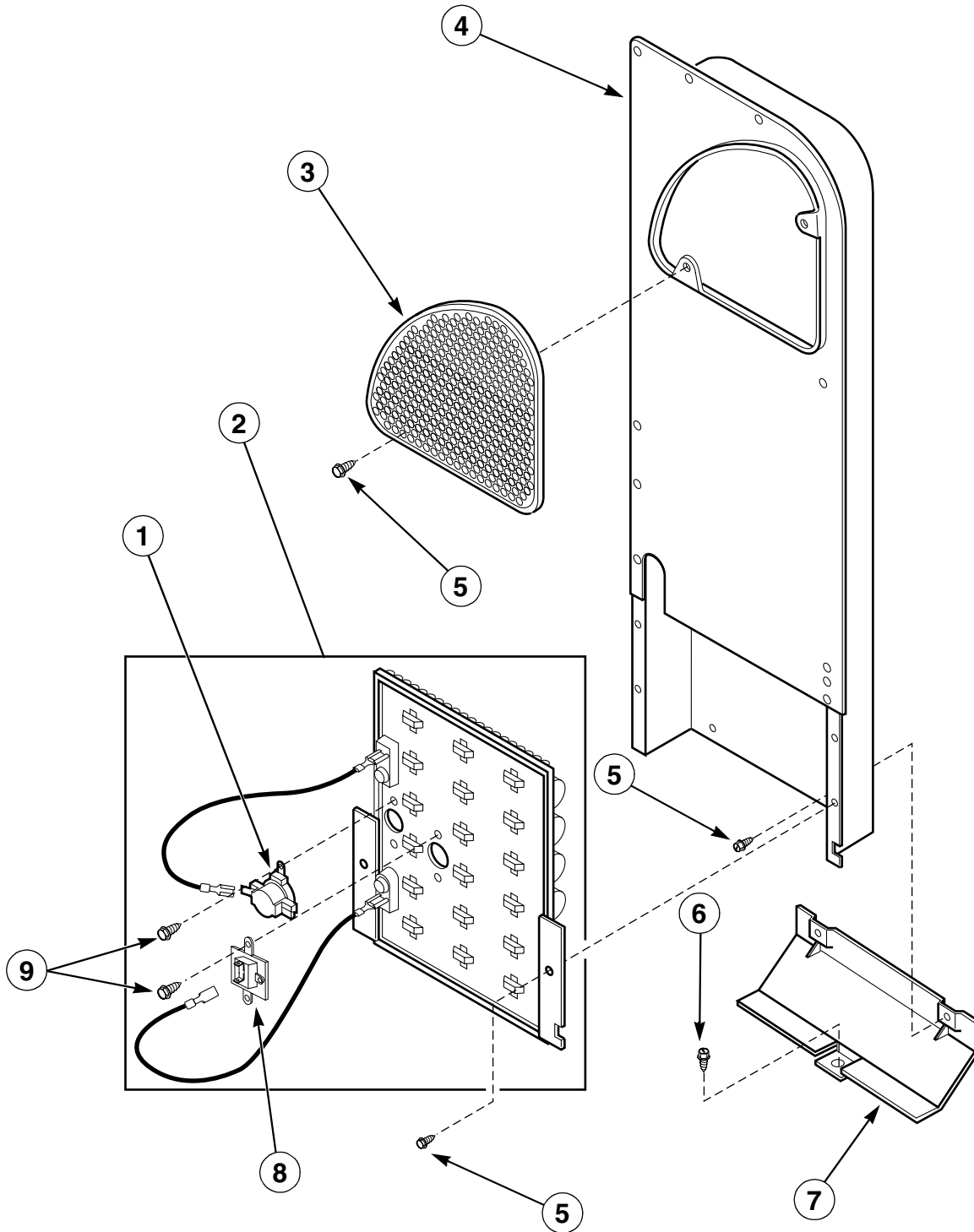
D134P

Rear Bulkhead, Felt Seal, Cylinder Roller and Terminal Block

REF	PART NO.	DESCRIPTION	COMMENTS
1	510207P	Cylinder Seal	
2	503688	Screw	
3	511082	Rear Bulkhead Assembly	Includes item 1
4	501285	Screw	
5	510190P	Terminal Block	Includes item 6
6	61199	Screw	
7	20530	Screw	
8	51474	Cupped Washer	
9	510100	Roller Bracket	
10	52549	Washer	
11	23748	Retainer Ring	
12	510708P	Cylinder Roller	
13	56461	Shaft	
14	56156	Locknut	

Heat Duct

(Electric Models)



D135P

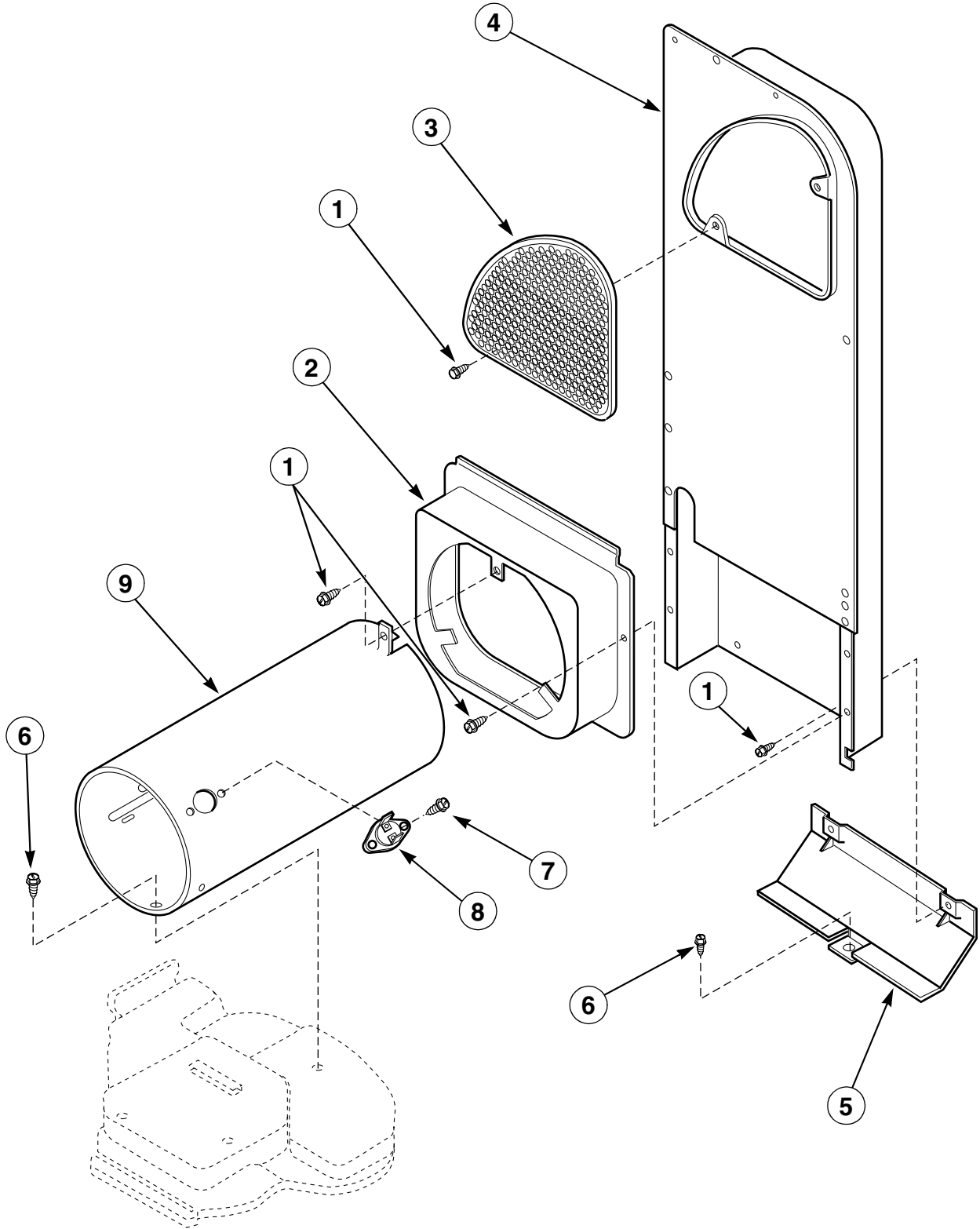
Heat Duct

(Electric Models)

REF	PART NO.	DESCRIPTION	COMMENTS
1	510701	Limit Thermostat	
2	61928	Heater Assembly	208 Volts/4750 Watts; color coded White
	61927	Heater Assembly	240 Volts/5000 Watts; color coded Red
3	500820	Outlet Cover	
4	510025P	Heat Duct	Includes items 3 and 5
5	503688	Screw	
6	33562	Screw	
7	60952	Heat Shield	
8	490P3	Thermal Fuse Kit	Includes item 1
9	23222	Screw	

Heat Duct

(Gas Models)



D136P

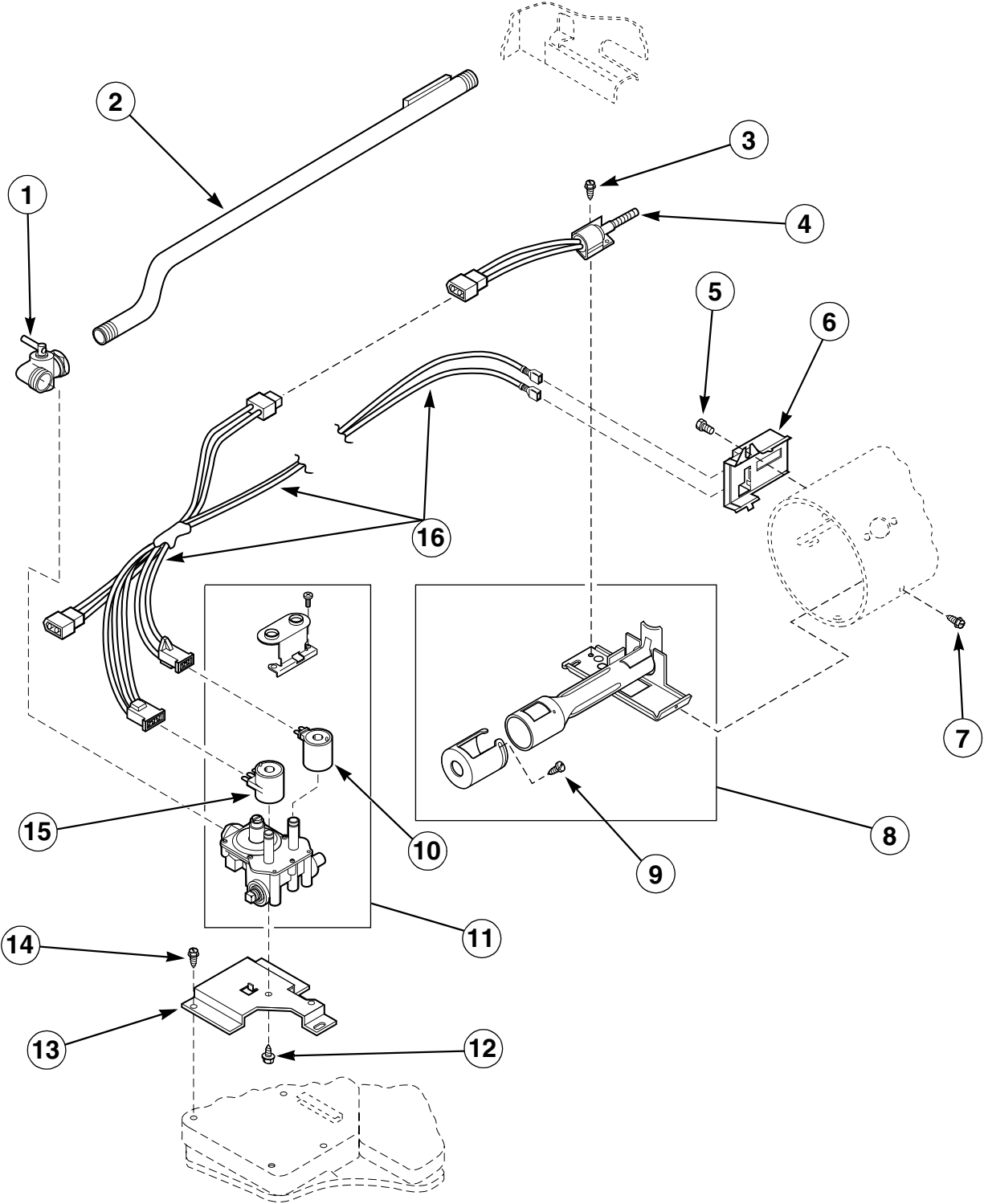
Heat Duct

(Gas Models)

REF	PART NO.	DESCRIPTION	COMMENTS
1	503688	Screw	
2	510101	Heat Shroud	
3	500820	Outlet Cover	
4	510025P	Heat Duct	Includes items 1 and 3
5	60952	Heat Shield	
6	33562	Screw	
7	51782	Screw	
8	489P3	Limit Thermostat Kit	
9	61974	Burner Housing	Includes items 7 and 8

Gas Valve, Igniter and Gas Conversion Kits

(Gas Models)



D137P

Gas Valve, Igniter and Gas Conversion Kits

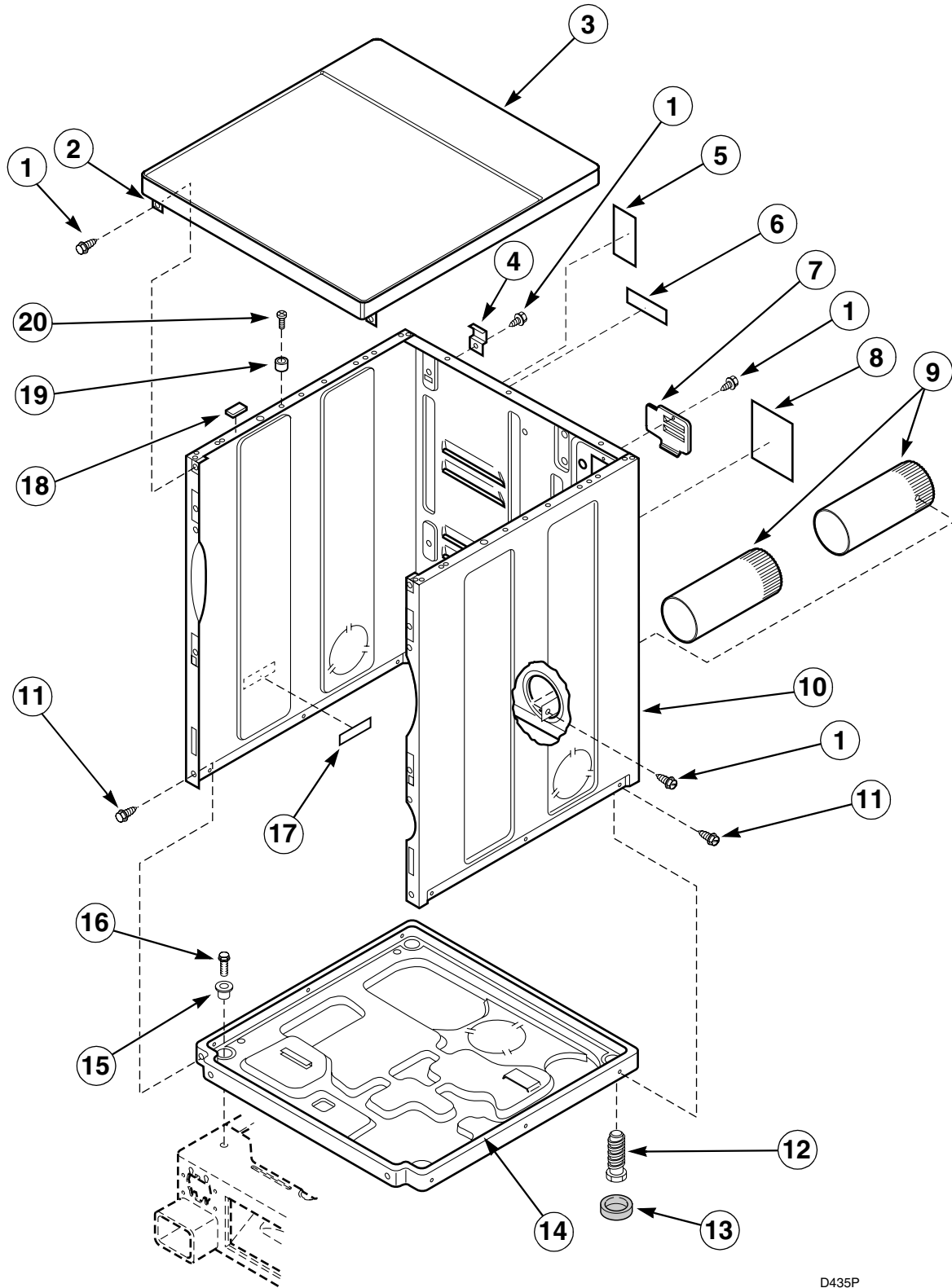
(Gas Models)

REF	PART NO.	DESCRIPTION	COMMENTS
	458P3	Gas Burner Conversion Kit	Used to convert dryers from Natural/Mixed to L.P. (Liquefied Petroleum) Gas
	459P3	Gas Burner Conversion Kit	Used to convert dryers from L.P. to Natural/Mixed Gas
1	510205	Valve	
2	510204	Lead-in Pipe Assembly	
3	51782	Screw	
4	510184P	Igniter and Bracket	
5	23222	Screw	
6	510213	Sensor	
7	503688	Screw	
8	510149	Burner Tube Assembly	
9	51356	Screw	N/A
10	58804B	Secondary Coil	
11	60353	Gas Valve Assembly	Natural/Mixed Gas
12	56124	Screw	
13	510128	Mounting Bracket	
14	33562	Screw	
15	58804A	Holding and Booster Coil	
16	510530	Wire Harness	

N/A – No longer available

Cabinet Top, Cabinet and Base

(Upper Dryer)



D435P

Cabinet Top, Cabinet and Base

(Upper Dryer)

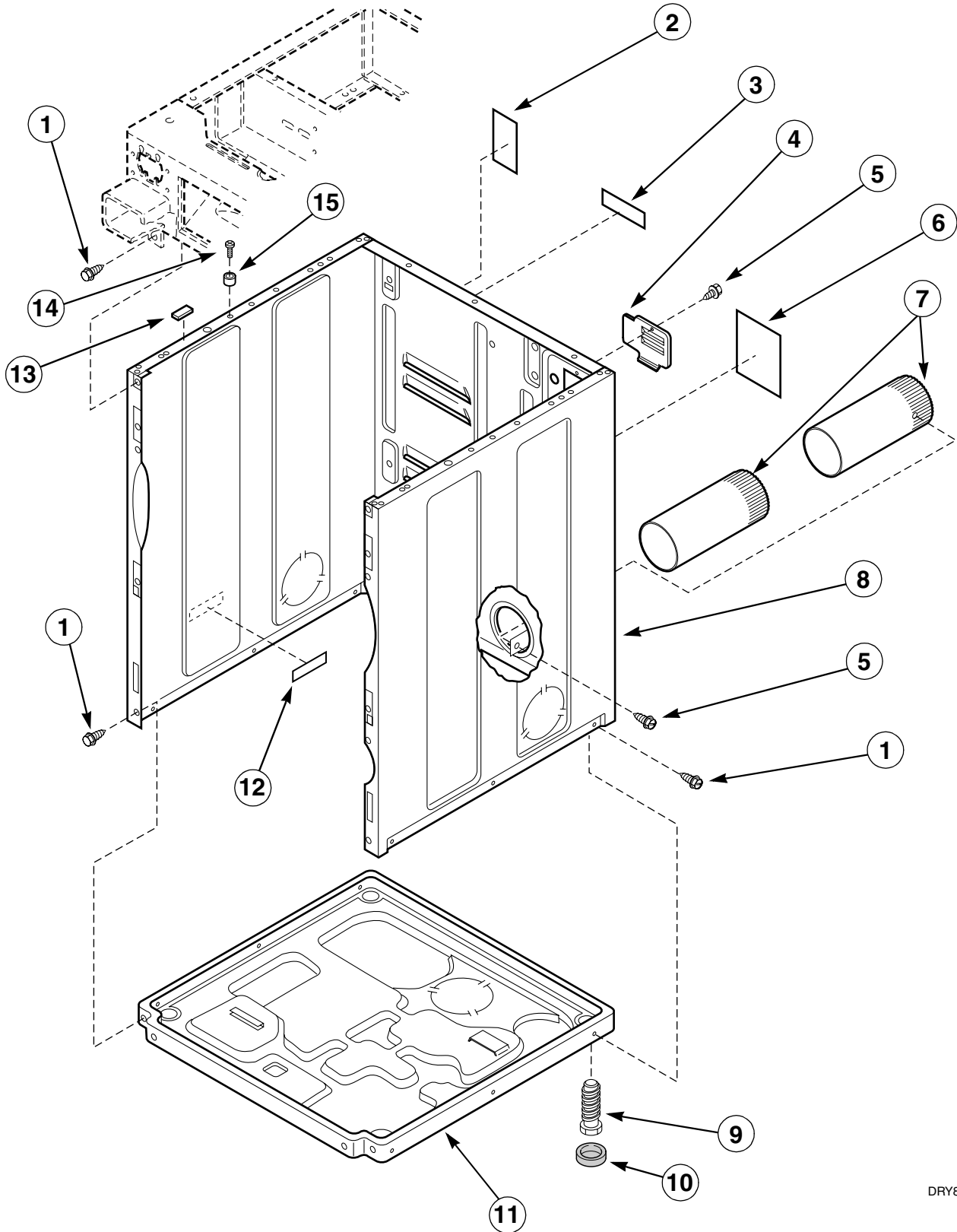
REF	PART NO.	DESCRIPTION	COMMENTS
1	503688	Screw	
2	510146	Bracket	
3	510032*P	Cabinet Top	
4	510136	Hinge	
5	511004	Sticker	Gas models
6	56186	Sticker	N/A
7	510903	Access Plate	
8	511005	Sticker	Electric models
9	510137	Exhaust Duct	
10	727P3*	Cabinet	
11	33562	Screw	
12	510135	Leveling Leg	Rear only
13	501855	Rubber Foot	
14	510084	Base	
15	501307	Washer	
16	36048	Screw and Lockwasher	
17	61294	Sticker	Electric models
18	56128	Bumper	
19	56079	Locator	
20	39733	Screw	

* Add letter to designate color: L - Almond W - White

N/A – No longer available

Cabinet and Base

(Lower Dryer)



DRY893P

Cabinet and Base

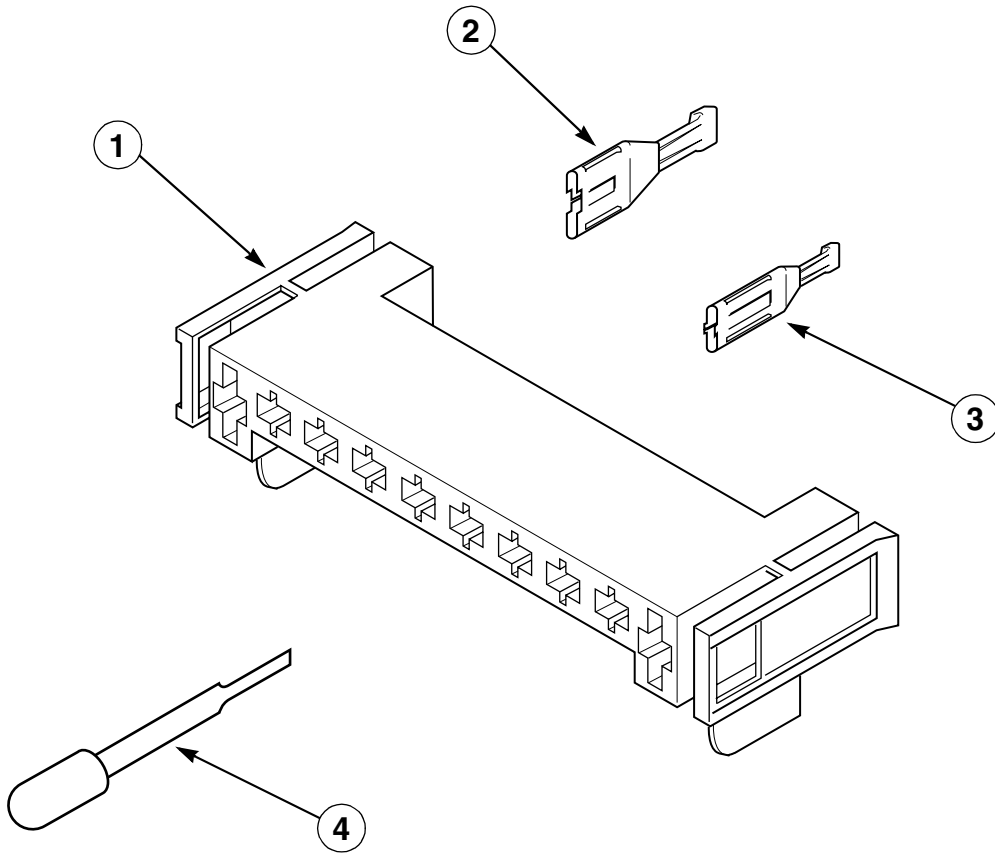
(Lower Dryer)

REF	PART NO.	DESCRIPTION	COMMENTS
1	33562	Screw	
2	511004	Sticker	Gas models
3	56186	Sticker	N/A
4	510903	Access Plate	
5	503688	Screw	
6	511005	Sticker	Electric models
7	510137	Exhaust Duct	
8	727P3*	Cabinet	
9	510135	Leveling Leg	
10	501855	Rubber Foot	
11	510084	Base	
12	61294	Sticker	Electric models
13	56128	Bumper	
14	39733	Screw	
15	56079	Locator	

* Add letter to designate color: L - Almond W - White

N/A – No longer available

Motor Disconnect Block, Terminals and Terminal Extractor Tool

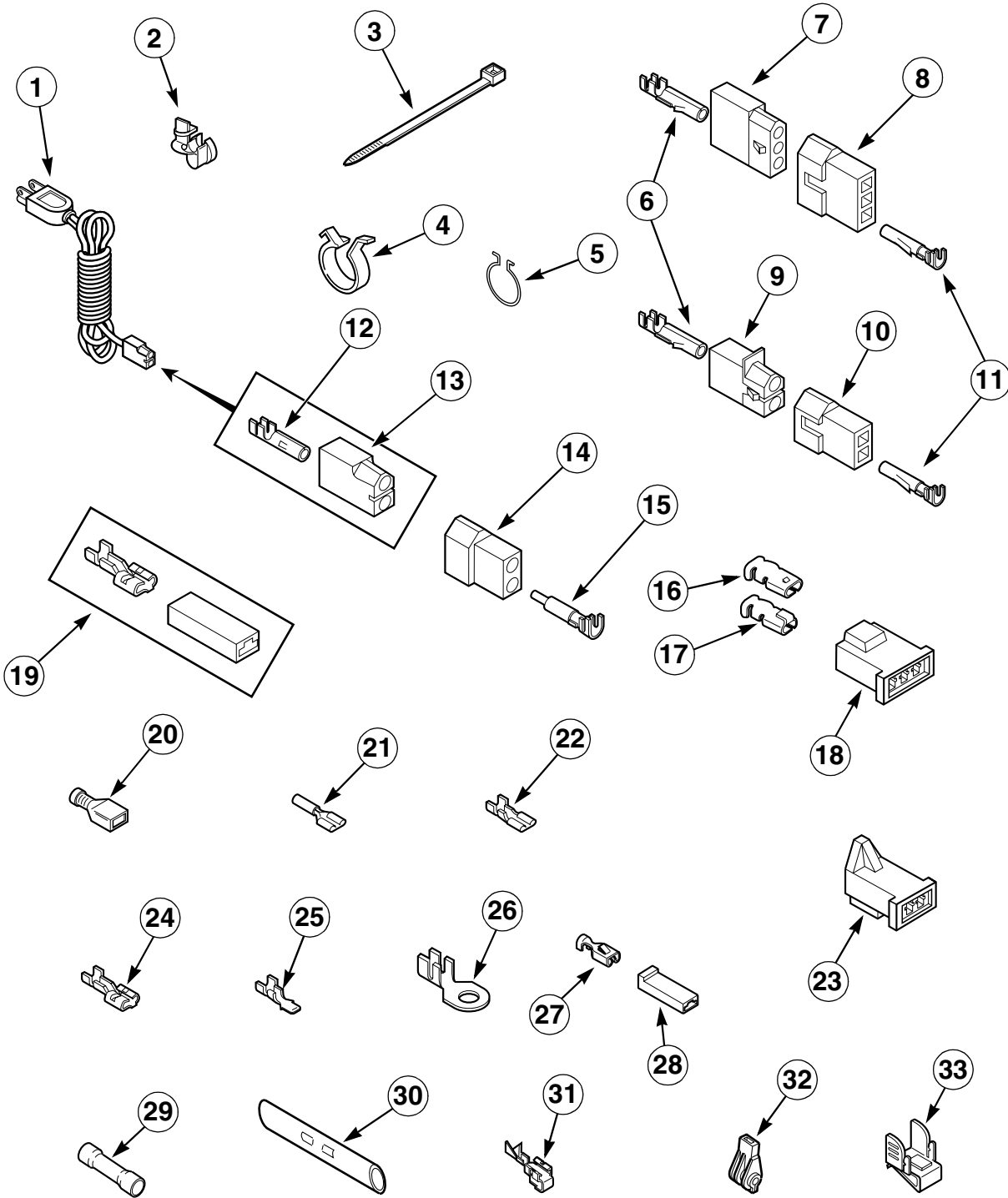


D153P

Motor Disconnect Block, Terminals and Terminal Extractor Tool

REF	PART NO.	DESCRIPTION	COMMENTS
1	500338	Molex Housing	
2	00255	Spade Terminal	1/4 inch – one 12 gauge wire
	00256	Spade Terminal	1/4 inch – one or two 18 gauge wires
3	00188	Molex Terminal	One or two wire application
4	283P4	Terminal Extractor Tool	

Power Cord and Terminals



D139P

Power Cord and Terminals

REF	PART NO.	DESCRIPTION	COMMENTS
1	59308	Power Cord	Gas models only
2	38384	Strain Relief	
3	504034	Wire Tie	
4	504034	Wire Clip	
5	51291	Wire Clip	
6	00117	Terminal	
7	23039	Terminal Block Receptacle	
8	23040	Terminal Block Plug	
9	56451	Terminal Block Receptacle	
10	56448	Terminal Block Plug	
11	00116	Terminal	
12	00130	Terminal	
13	56265	Terminal Block Receptacle	
14	56266	Terminal Block Plug	
15	00127	Terminal	
16	00189	Terminal	
17	00361	Terminal	Piggy back
18	58800	Terminal Block	
19	00237	Insulated Spade Terminal	1/4 inch – one 12 gauge wire or two 18 gauge wires
20	00165	Insulated Spade Terminal	3/16 inch
	00234	Insulated Spade Terminal	1/4 inch
21	00214	Barrel Insulated Spade Terminal	18 gauge
	00215	Barrel Insulated Spade Terminal	12 gauge
22	00124	Spade Terminal	3/16 inch – one 18 gauge wire (.020 tab)
	00209	Spade Terminal	3/16 inch – two 18 gauge wires (.020 tab)
	00156	Spade Terminal	3/16 inch – thermostat wire (.032 tab)
23	58799	Terminal Block	
24	00245	Spade Terminal	1/4 inch – one 22 gauge wire
	00223	Spade Terminal	1/4 inch – one 18 gauge wire
	00121	Spade Terminal	1/4 inch – two 18 gauge wires or one 12 gauge wire
25	00139	Male Terminal	1/4 inch – two 18 gauge wires or one 12 gauge wire
26	00110	Eyelet Terminal	One 18 gauge wire
	00111	Eyelet Terminal	Two 18 gauge wires or one 12 gauge wire
27	00115	Lock In Spade Terminal	One 18 gauge wire
	00321	Lock In Spade Terminal	Two 18 gauge wires or one 12 gauge wire
28	90789	Connector	
29	30865	Butt Splice Connector	N/A
30	21091	Connector	
31	00114	Double Connector Terminal	
32	70210	Plastic Insulator	
33	00161	Ground Clip	

N/A – No longer available

Wire Harnesses and Wires

Individual wires are not available separately. Order complete wire harness, or order wire by the foot. See chart at bottom of page.

MODEL NUMBER	UPPER WIRE HARNESS	LOWER WIRE HARNESS	CONTROL CABINET WIRE HARNESS	AUDIT WIRE HARNESS
EE5007	500866	500953	500954	-
EE5107	500866	500865	500867	-
EE5107*M	500866	500865	500867	-
EE5117	500866	500865	500867	-
EE5117*M	500866	500865	500867	-
EE5507	500866	500865	500867	-
EE5607	500866	500865	500867	501311
EE5807	501376	501377	501378	-
EE5817	501376	501377	501378	-
EE5907	501376	502165	501378	-
EE5917	501376	502165	501378	-
EE6907	501376	502165	501378	-
EE6917	501376	502165	501378	-
EG5009	501219	500962	500963	-
EG5109	500827	500828	500961	-
EG5109*M	500827	500828	500961	-
EG5119	500827	500828	500961	-
EG5119*M	500827	500828	500961	-
EG5509	500827	500828	500961	-
EG5609	500827	500828	500961	501311
EG5809	501372	501373	501374	-
EG5819	501372	501373	501374	-
EG5909	501372	510373	501374	-
EG5919	501372	510373	501374	-
EG6909	501372	510373	501374	-
EG6919	501372	510373	501374	-

Order the individual wire color and gauge by the part number listed below. Order wire by the foot and terminals and connectors as required. It is recommended when applying terminals to wires that the terminals be soldered to the wires.

IMPORTANT: Always replace wires with proper gauge.

PART NUMBER	WIRE GAUGE	WIRE COLOR
45001	18 Gauge Wire	Black
45380	12 Gauge Wire	Orange

Parts Index

A

Access Plate	
510903	47, 49
Accumulator	
510628P	23
510630P	25
Accumulator Bracket	
558P3	19
Air Duct	
502231	37

B

Baffle	
510102	37
Barrel Insulated Spade Terminal	
00214	53
00215	53
Base	
510084	47, 49
Belt	
510178	35
Bolt	
29651	11, 21
Bracket	
510146	47
Bumper	
56128	47, 49
Burner Housing	
61974	43
Burner Tube Assembly	
510149	45
Butt Splice Connector	
30865	53

C

Cabinet	
727P3*	47, 49
Cabinet Top	
510032*P	47
Caged Nut	
80077	7, 11, 21, 31
Cam	
27261	5, 9, 13, 19
Circuit Board	
37386P	17
Coin Drop Assembly	
38479	13, 15
Coin Funnel Kit	
523P3	11, 21
Coin Slide Guard	
58181	9, 19
Connector	
21091	53
90789	53

Control	
M414050P	13
Control Cabinet Front	
500225	15
500225*	7
500847*	11, 21
501367*	13
Control Cabinet Wrapper	
505753*	7, 11, 13, 15, 21
Control Knob Assembly	
35182	9
39897	5, 19
Control Panel Frame	
500228*	5, 9
500848*	19
501346*	13
Control Panel Overlay	
500259	19
504117	13
504590	5, 9
Counter Kit	
62113P	9
Cupped Washer	
51474	39
Cylinder Assembly	
500095P	37
Cylinder Glide Assembly	
510187	37
Cylinder Roller	
510708P	39
Cylinder Seal	
510207P	37, 39

D

Door Hinge	
510519	27, 29
Door Hinge Mounting Bracket	
500236	29
Door Hinge Mounting Clip	
500236	27
Door Pull	
500042*	27, 29
Door Seal	
500200	27, 29
Door Striker	
510181	27, 29
Door Striker Bracket	
510127	27, 29
Door Switch	
504570	31, 33
Double Connector Terminal	
00114	53

E

Exhaust Duct 510137	47, 49
Exhaust Fan Housing 510138P	35
Exhaust Fan Impeller 510139	35
Eyelet Terminal 00110	53
00111	53

F

Felt Pad 500121	37
Flexible Tubing 503237	17
Front Bulkhead Assembly 500091P	37
Front Overlay 38717	13, 15
Front Panel 500033*	31, 33
Front Panel Seal 500034	31, 33

G

Gas Burner Conversion Kit 458P3	45
459P3	45
Gas Valve Assembly 60353	45
Glide Bracket 510145	37
Ground Clip 00161	5, 9, 19, 53
Guide Lug 56079	7, 11, 21, 31, 33

H

Heat Duct 510025P	41, 43
Heat Shield 60952	41, 43
Heat Shroud 510101	43
Heater Assembly 61927	41
61928	41
Hinge 510136	47
Hold-down Clip 28835	33
Holding and Booster Coil 58804A	45

I

Idler Lever 510133	35
Idler Pulley 510142	35
Idler Pulley and Lever Assembly 510158	35
Igniter and Bracket 510184P	45
Index Spring 53238	23, 25
Indicator Light 32464	5, 9, 19
Inner Door Panel and Seal 500199	27
500410	29
Instructions Sticker 500390	33
Insulated Spade Terminal 00165	53
00234	53
00237	53

J

Jumper Wire 501313	21
-----------------------------	----

K

Knurled Nut 24205	5, 9, 19
----------------------------	----------

L

Large Snap Bushing 503235	17
Lead-in Pipe Assembly 510204	45
Leveling Leg 510135	47, 49
Limit Thermostat 510701	41
Limit Thermostat Kit 489P3	43
Lint Filter 502140P	37
Locator 56079	47, 49
Lock Assembly 27260	5, 9, 13
27260P	19
Lock In Spade Terminal 00115	53
00321	53
Locknut 29786	13, 15
52566	35
56156	35, 39

Lockwasher	
21734	19
25820	5, 9, 19
91176	5, 9, 19
Lower Access Panel	
510069*	31, 33

M

Magnet	
501453	13, 19
Male Terminal	
00138	53
Molex Housing	
500338	51
Molex Terminal	
00188	51
Motor Assembly	
505843P	35
510508P	35
Motor Clips	
510180	35
Motor Locking Mount	
58044A	35
Motor Mounting Bracket	
510060	35
Motor Pulley	
500011	35
Motor Switch	
501218P	35
Mounting Bracket	
510128	45

N

Nut	
29796	11, 21
35322	19
52947	5, 9, 19
Nylon Bushing	
53262	23, 25

O

Outer Door Panel	
500040*	27
500201*	29
Outlet Cover	
500820	41, 43
Overlay	
37589	17
500814	5

P

Pawl Spring	
53244	23, 25
Plastic Insulator	
70210	53
Power Cord	
59308	53
Printed Circuit Board	
34522	21
Push Nut	
58030	29
Push-on Clip	
34762	19
Push-to-Start Switch Assembly	
55882	5, 9, 19

R

Ratchet Wheel	
53239	23, 25
Rear Bulkhead Assembly	
511082	39
Retainer Ring	
23748	35, 39
Return Spring	
53261	23, 25
Roller Bracket	
510100	39
Rubber Foot	
501855	47, 49

S

Screw	
03203	9, 19
03950	9, 19
20530	5, 9, 19, 35, 39
23222	41, 45
27328	5
31260	21, 35
32671	7
33562	7, 9, 11, 15, 17, 21, 31, 33, 35, 41, 43, 45, 47, 49
39733	11, 21, 31, 33, 49
500226	27, 29, 37
500227	31
500297	27, 29
501086	35
501285	39
501524	13
503661	35, 37
5036887	11, 15, 21, 31, 33, 37, 39, 41, 43, 45, 47, 49
51356	45
51782	43, 45
56124	45
61199	39
62588	37
62853	31, 33

Screw and Lockwasher 36048	7, 11, 21, 47
Seal 500313	35
Secondary Coil 58804B	45
Security Wrapper 503124*	17
Sensor 510213	45
Sensor Control 35026	21
Shaft 56461	35, 39
Shield 501315	21
Shoulder Bolt 500824	35
Slide Extension 503455	9, 19
Slotted Hex Head Screw 33562	19
Small Snap Bushing 503236	17
Spade Terminal 00121	53
00124	53
00156	53
00209	53
00223	53
00245	53
00255	51
00256	51
Spring 510185	35
Sticker 500049	37
500281	31, 33
502804	31, 33
511004	31, 33, 47, 49
511005	47, 49
56186	47, 49
56249	37
61294	47, 49
Strain Relief 38384	53
52113	5, 9
52151	5, 9
Striker Catch 500227	33
510177	31, 33
Support 34896	21
500951	21
Switch 34599	13, 21
504570	13, 15, 19
53236	23, 25
61468	25
Switch Bracket 38087	15

T

Temperature Selector Switch 61512	5, 9, 19
Terminal 00116	53
00117	53
00127	53
00130	53
00189	53
00361	53
Terminal Block 510190P	39
58799	53
58800	53
Terminal Block Plug 23040	53
56266	53
56448	53
Terminal Block Receptacle 23039	53
56265	53
56451	53
Terminal Extractor Tool 283P4	51
Thermal Fuse Kit 490P3	41
Thermostat 503552	35
Thermostat Heater 61623	35
Time Knob Assembly 54678	5
Timer 510524	5
Timer Bracket Kit 558P3	9
Timing Cam 53240	23, 25
53241	23, 25
53242	23, 25
53243	23, 25
Timing Motor 53235P	23, 25
Torx Bit 282P4	31, 33
Torx Bit Holder 24161	31, 33
Transmit Light 34701	19
Transmit Switch 34721	19

V

Valve 510205	45
-----------------------	----

W

Washer	
35321	19
501307	7, 11, 21, 47
52549	35, 39
Window	
500231	29
Window Trim	
500202*	29
Wire Clip	
504034	53
51291	53
Wire Connector	
503238	17
Wire Harness	
501311	21
510530	45
510534P	19
510661P	9
Wire Tie	
55881	53

