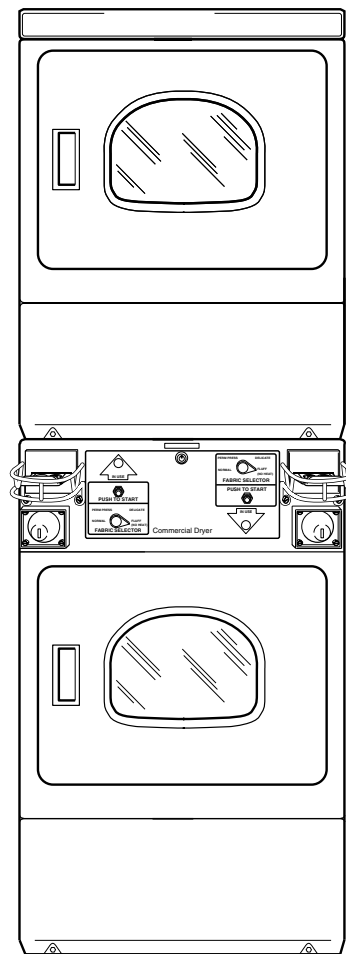


Stacked Dryers

Metered and Nonmetered
Refer to Page 3 for Model Numbers



D330P

Table of Contents

Title	Page
Parts Ordering Information	2
Nameplate Location	2
Model Identification	3
Control Panel and Controls (Nonmetered)	4
Control Panel and Controls (Coin Slide Ready)	6
Control Panel and Controls (Coin Drop)	8
Control Panel and Controls (Card Reader Ready)	10
Control Panel and Controls (Card Reader Installed)	12
Control Cabinet (Nonmetered).....	14
Control Cabinet (Coin Slide Ready).....	16
Control Cabinet (Coin Drop)	18
Control Cabinet (Card Reader Ready)	20
Control Cabinet (Card Reader Installed)	22
Two Switch Timer	24
Three Switch Timer.....	26
Loading Door	28
Loading Door With Window	30
Access Panel, Front Panel and Seal	32
Motor, Exhaust Fan and Belt	34
Front Bulkhead, Air Duct, Felt Seal and Cylinder	36
Rear Bulkhead, Felt Seal, Cylinder Roller and Terminal Block	38
Heater Duct and Element Assembly	40
Heater Duct Assembly	42
Gas Valve, Igniter and Gas Conversion Kits	44
Cabinet, Exhaust Duct and Base (Upper Dryer)	46
Cabinet, Exhaust Duct and Base (Lower Dryer)	48
Power Cord	50
Terminal Block and Terminals	52
Terminals	54
Motor Connection Block, Terminal Extractor Tools	56
Burner Orifice Spuds for Gas Dryers	58
Wire Harnesses and Wires	59
Parts Index.....	61

© Copyright 2001, Alliance Laundry Systems LLC

All rights reserved. No part of the contents of this book may be reproduced or transmitted in any form or by any means without the expressed written consent of the publisher.

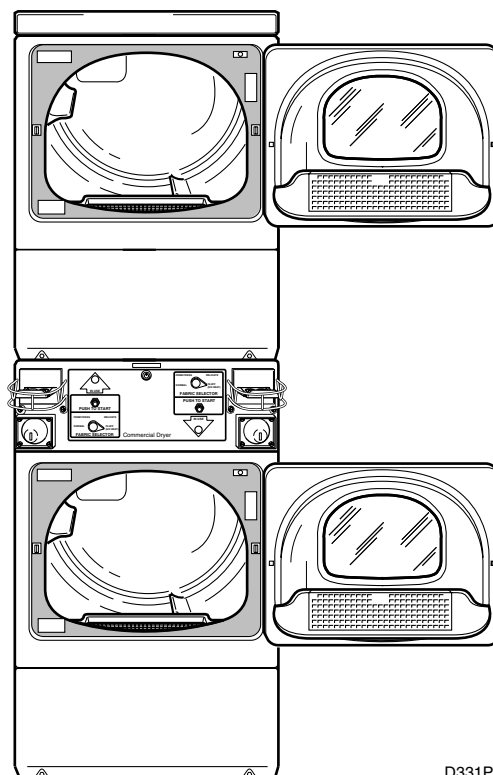
Parts Ordering Information

If literature or replacement parts are required, contact the source from whom the machine was purchased or contact Alliance Laundry Systems at (920) 748-3950 for the name and address of the nearest authorized parts distributor.

For technical assistance, call (920) 748-3121.

Nameplate Location

When calling or writing about your product, be sure to mention model and serial numbers. Model and serial numbers are located on nameplate(s) as shown.



D331P

Model Identification

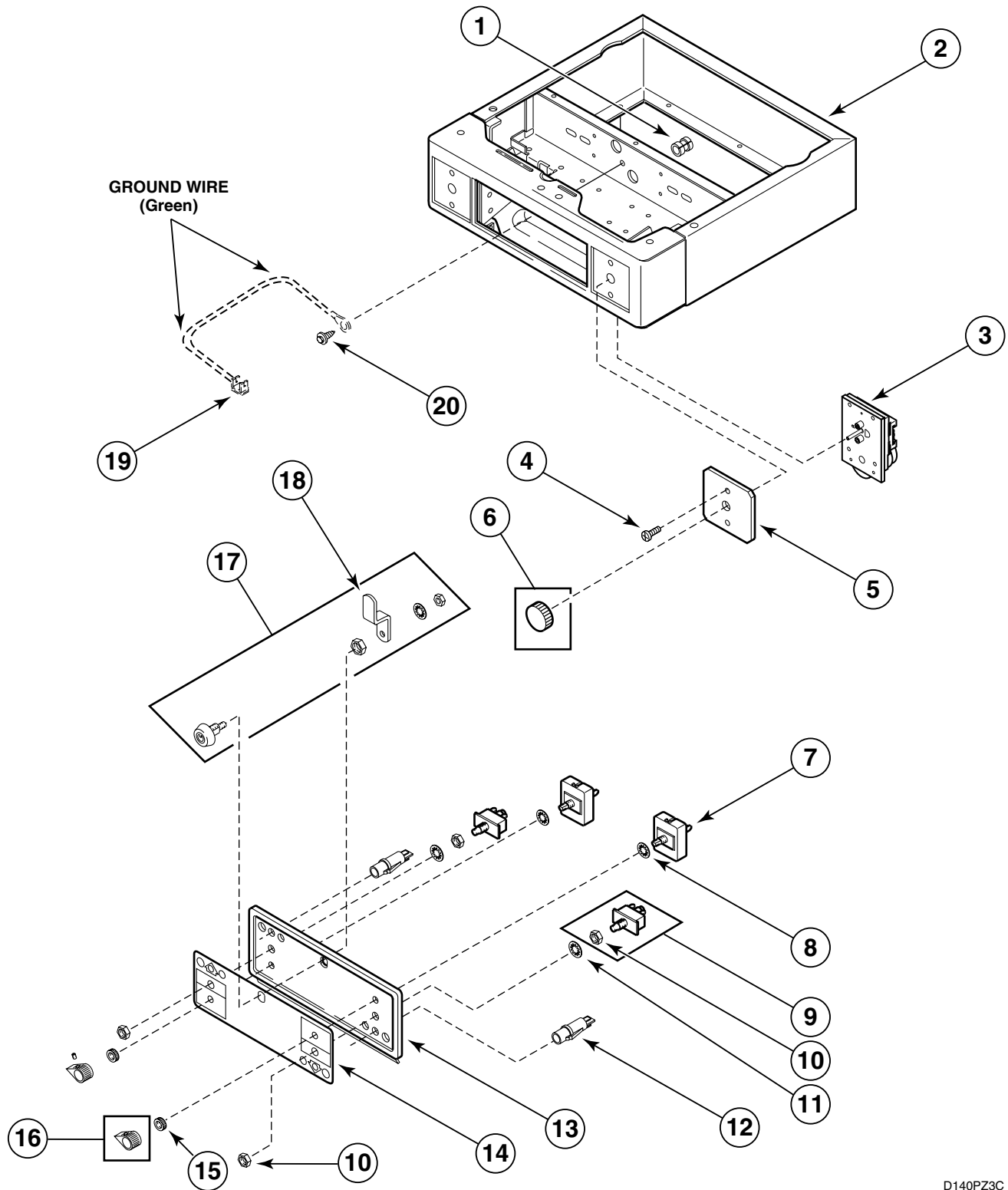
Information in this manual is applicable to these dryers:

Model Number	Nonmetered Model	Metered Model	Counter	Coin Drop Ready	Coin Drop Installed	Coin Slide Ready	Electronic Display Control	Card Reader Ready	Card Reader Installed	Electric Heat	Gas Heat
HSE117*A		X				X			X	X	
HSE117*C		X				X			X	X	
HSG119*A		X									X
HSG119*C		X									X
SSE007*A	X									X	
SSE007*A1500	X									X	
SSE107*A		X				X				X	
SSE107*A1500		X				X				X	
SSE117*A		X				X				X	
SSE117*A1500		X				X				X	
SSE307*A		X	X			X				X	
SSE307*A1500		X	X			X				X	
SSE407*A		X		X			X			X	
SSE407*A1500		X		X			X			X	
SSE407*D		X		X			X			X	
SSE407*D1500		X		X			X			X	
SSE417*A		X		X			X			X	
SSE417*D		X		X			X			X	
SSE507*A		X			X		X			X	
SSE507*A1500		X			X		X			X	
SSE517*A		X			X		X			X	
SSE517*A1500		X			X		X			X	
SSE607*C		X					X	X		X	
SSE607*C1500		X					X	X		X	
SSE607*D										X	
SSE607*D1500										X	
SSE617*C		X					X	X		X	
SSE617*D		X					X	X		X	
SSE707*A		X					X		X	X	
SSE717*A		X					X		X	X	
SSG009*A	X										X
SSG109*A		X									X
SSG119*A		X				X					X
SSG309*A		X	X			X					X
SSG409*A		X		X			X				X
SSG409*D		X		X			X				X
SSG419*A		X		X			X				X
SSG419*D		X		X			X				X
SSG509*A		X			X		X				X
SSG519*A		X			X		X				X
SSG609*C		X					X	X			X
SSG609*D		X									X
SSG619*C		X					X	X			X
SSG619*D		X									X
SSG709*A		X					X		X		X
SSG719*A		X					X		X		X
USE007*A	X									X	
USG009*A	X										X

* Add Letter To Designate Color. L – Almond W – White

Control Panel and Controls (Nonmetered)

Models SSE007*A, SSE007*A1500, SSG009*A, USE007*A and USG009*A



D140PZ3C

Control Panel and Controls (Nonmetered)

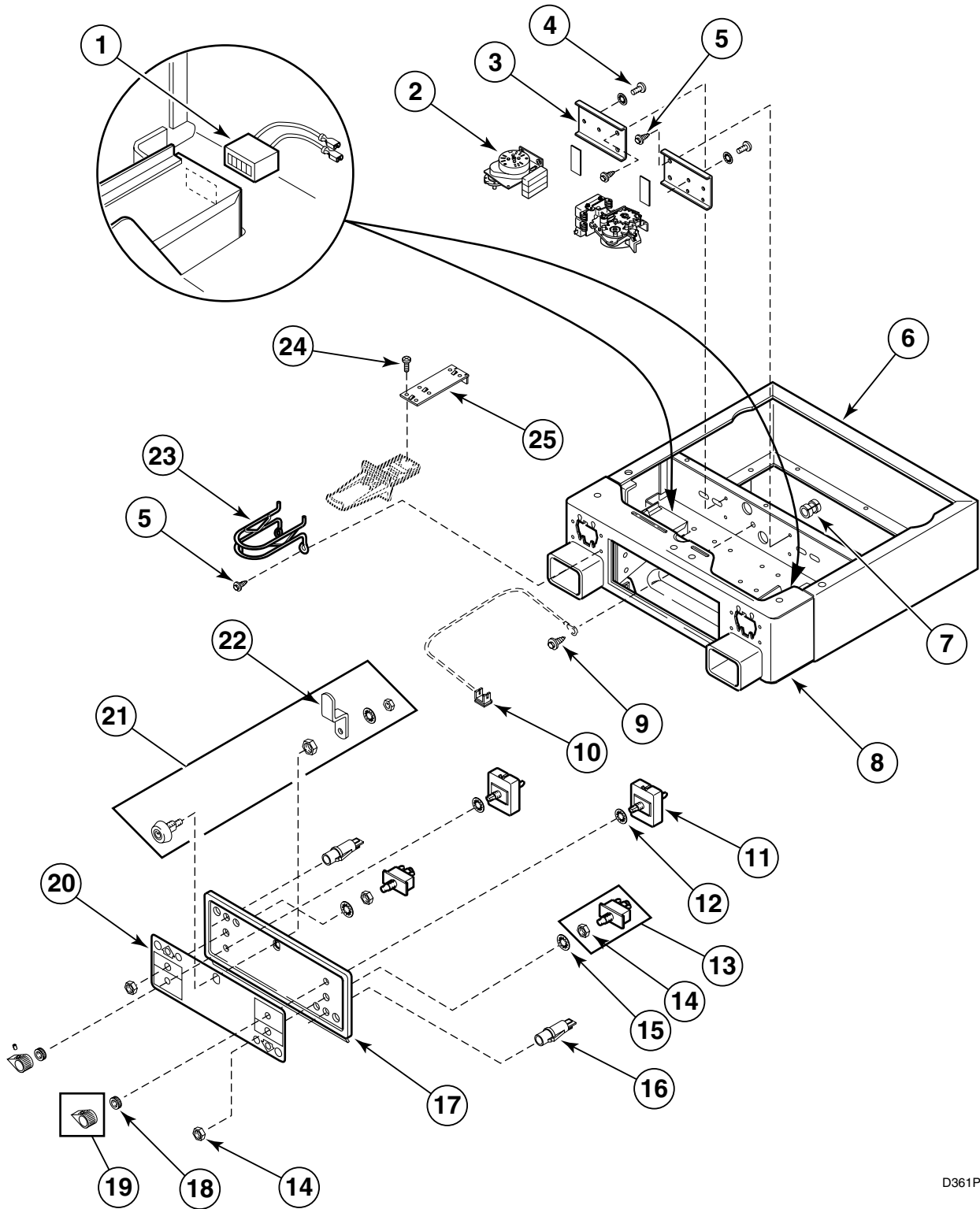
Models SSE007*A, SSE007*A1500, SSG009*A, USE007*A and USG009*A

REF	PART #	DESCRIPTION	COMMENTS
1	52113	Strain Relief	Gas Models
	52151	Strain Relief	Electric Models
2	505753*	Control Cabinet	
3	510524	Timer	
4	27328	Screw	
5	500814	Overlay	
6	54678	Timer Knob Assembly	
7	61512	Fabric Selector Switch	
8	91176	Lockwasher	
9	55882	Push-to-Start Switch Assembly	
10	52947	Hex Nut	
11	25820	Lockwasher	
12	32464	Indicator Light	
13	500228*	Control Panel	
14	504590	Control Panel Overlay	Models beginning with "S"
	502927	Control Panel Overlay	Models beginning with "U"
15	24205	Knurled Nut	
16	39897	Control Knob Assembly	
17	27260P	Lock Assembly	
18	27261	Cam	
19	00161	Ground Clip	
20	20530	Screw	

* Add Letter To Designate Color. L – Almond W – White

Control Panel and Controls (Coin Slide Ready)

Models HSE117*A, HSE117*C, HSG119*A, HSG119*C, SSE107*A, SSE107*A1500, SSE117*A, SSE117*A1500, SSE307*A, SSE307*A1500, SSG109*A, SSG119*A and SSG309*A



D361PZ3B

Control Panel and Controls (Coin Slide Ready)

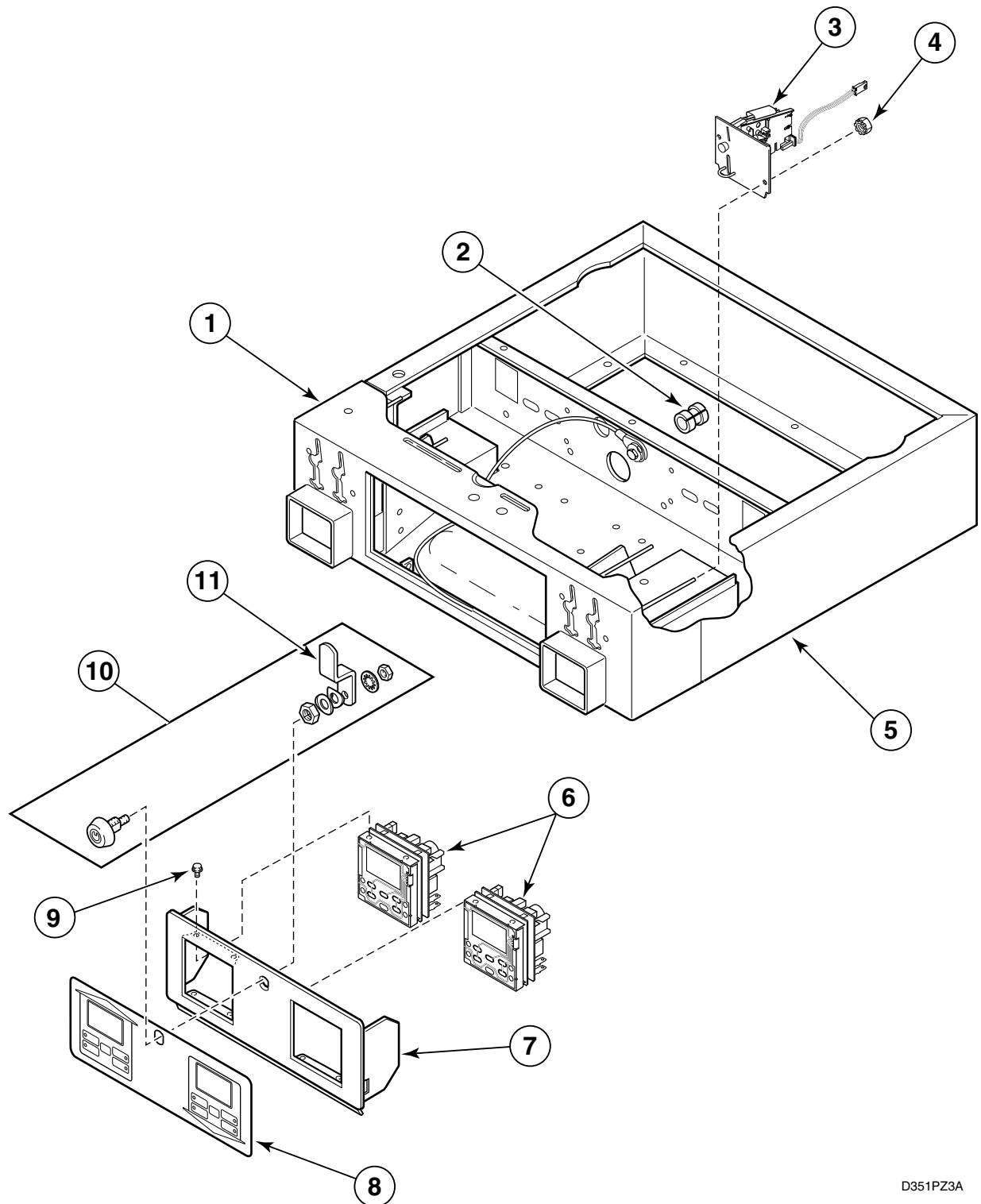
Models HSE117*A, HSE117*C, HSG119*A, HSG119*C, SSE107*A, SSE107*A1500, SSE117*A,
SSE117*A1500, SSE307*A, SSE307*A1500, SSG109*A, SSG119*A and SSG309*A

REF	PART #	DESCRIPTION	COMMENTS
1	62113P	Counter Kit	Models SSE307*A, SSE307*A1500 and SSG309*A
2	510630P	Timer	Models SSE307*A and SSG309*A
	510628P	Timer	All other models
3	503017	Timer Bracket	
4	03203	Screw	
5	503661	Screw	
6	505753*	Control Cabinet Wrapper	
7	52113	Strain Relief	Gas models
	52151	Strain Relief	Electric models
8	500847*	Control Cabinet Front	
9	20530	Screw	
10	00161	Ground Clip	
11	61512	Fabric Selector Switch	
12	91176	Lockwasher	
13	55882	Push-to-Start Switch Assembly	
14	52947	Nut	
15	25820	Lockwasher	
16	32464	Indicator Light	
17	500228*	Control Panel and Bracket Assembly	
18	24205	Knurled Nut	
19	39897	Control Knob Assembly	
20	504590	Control Panel Overlay	Models beginning with "S"
	505381	Control Panel Overlay	Models beginning with "H"
21	27260P	Lock Assembly	
22	27261	Cam	
23	58181	Coin Slide Guide	
24	03950	Screw	
25	503455	Slide Extension	

* Add Letter To Designate Color. L – Almond W – White

Control Panel and Controls (Coin Drop)

Models SSE407*A, SSE407*A1500, SSE407*D, SSE407*D1500, SSE417*A, SSE417*D, SSE507*A, SSE507*A1500, SSE517*A, SSE517*A1500, SSG409*A, SSG409*D, SSG419*A, SSG419*D, SSG509*A and SSG519*A



D351PZ3A

Control Panel and Controls (Coin Drop)

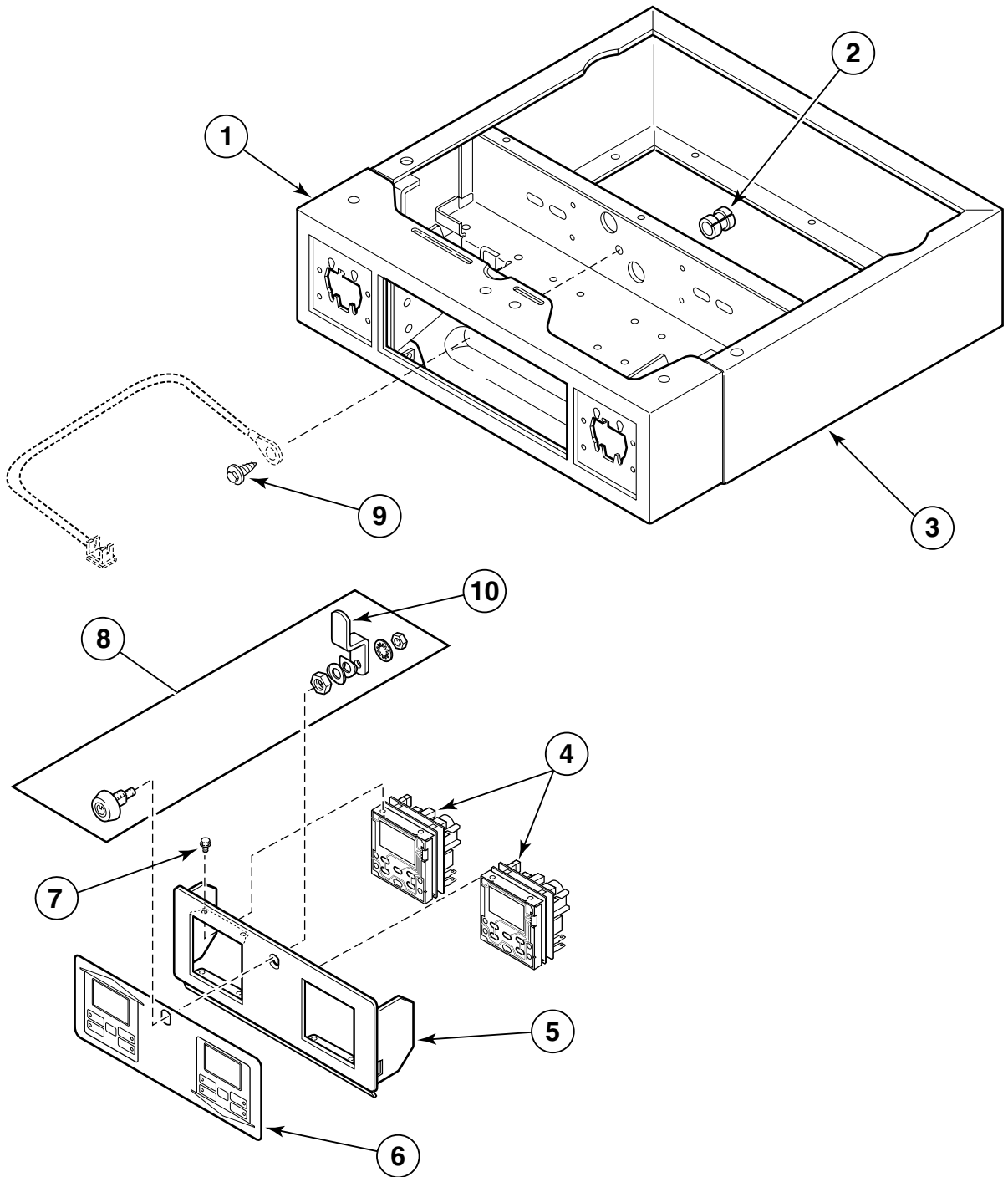
Models SSE407*A, SSE407*A1500, SSE407*D, SSE407*D1500, SSE417*A, SSE417*D, SSE507*A, SSE507*A1500, SSE517*A, SSE517*A1500, SSG409*A, SSG409*D, SSG419*A, SSG419*D, SSG509*A and SSG519*A

REF	PART #	DESCRIPTION	COMMENTS
1	503761*	Control Cabinet Front	
2	52113	Strain Relief	Gas Models
	52151	Strain Relief	Electric Models
3	38479	Single Coin Drop	Models SSE507*A, SSE507*A1500, SSE517*A, SSE517*A1500, SSG509*A and SSG519*A
4	29786	Locknut	
5	505753*	Control Cabinet Wrapper	
6	M414050P	Electronic Control	
7	501346*	Control Panel	
8	504117	Graphic Overlay	
9	501524	Screw	
10	27260P	Lock Assembly	
11	27261	Cam	

* Add Letter To Designate Color. L – Almond W – White

Control Panel and Controls (Card Reader Ready)

Models SSE607*C, SSE607*C1500, SSE607*D, SSE607*D1500, SSE617*C, SSE617*D,
SSG609*C, SSG609*D, SSG619*C and SSG619*D



D352PZ3A

Control Panel and Controls (Card Reader Ready)

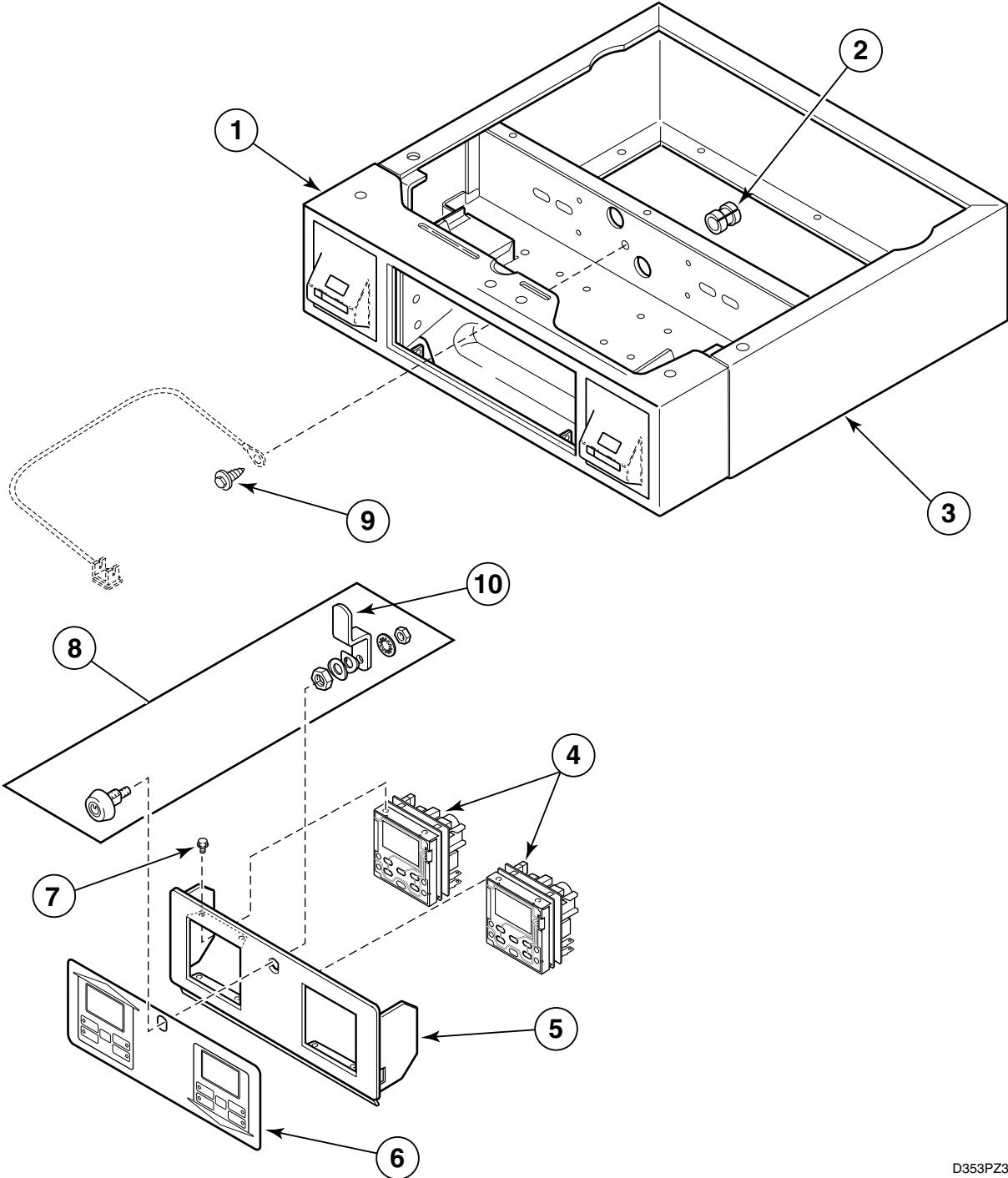
Models SSE607*C, SSE607*C1500, SSE607*D, SSE607*D1500, SSE617*C, SSE617*D,
SSG609*C, SSG609*D, SSG619*C and SSG619*D

REF	PART #	DESCRIPTION	COMMENTS
1	505227*	Control Cabinet Front	
2	52113	Strain Relief	Gas models
	52151	Strain Relief	Electric models
3	505753*	Control Cabinet Wrapper	
4	M414050P	Electronic Control	
5	501346*	Control Panel	
6	504117	Graphic Overlay	
7	501524	Screw	
8	27260	Lock Assembly	
9	20530	Screw	
10	27261	Cam	

* Add Letter To Designate Color. L – Almond W – White

Control Panel and Controls (Card Reader Installed)

Models SSE707*A, SSE717*A, SSG709*A and SSG719*A



D353PZ3A

Control Panel and Controls (Card Reader Installed)

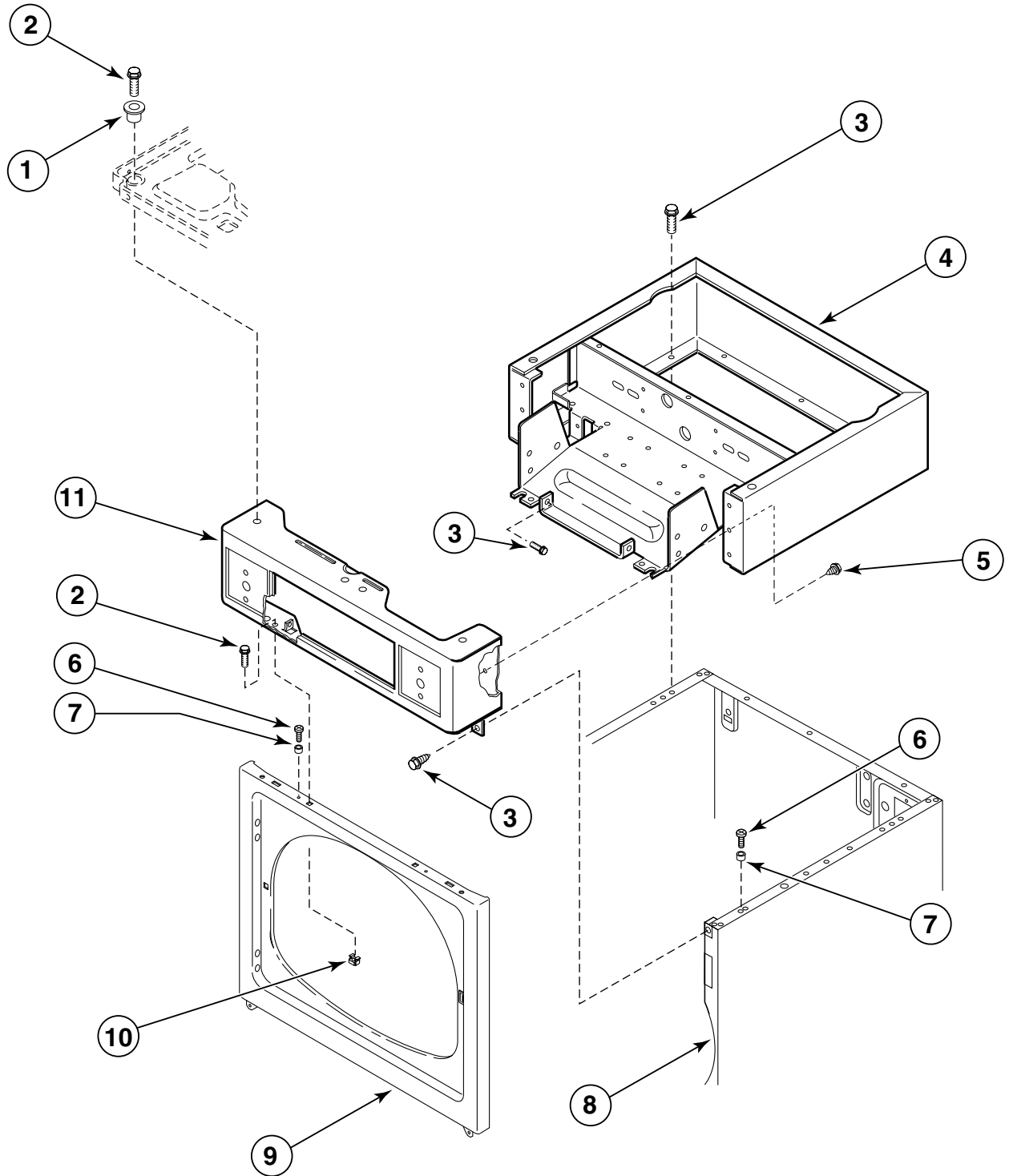
Models SSE707*A, SSE717*A, SSG709*A and SSG719*A

REF	PART #	DESCRIPTION	COMMENTS
1	503428*	Control Cabinet Front	
2	52113	Strain Relief	Gas models
	52151	Strain Relief	Electric models
3	505753*	Control Cabinet Wrapper	
4	M414050P	Electronic Control	
5	501346*	Control Panel	
6	504117	Graphic Overlay	
7	501524	Screw	
8	27260P	Lock Assembly	
9	20530	Screw	
10	27261	Cam	

* Add Letter To Designate Color. L – Almond W – White

Control Cabinet (Nonmetered)

Models SSE007*A, SSE007*A1500, SSG009*A, USE007*A and USG009*A



D332PZ3A

Control Cabinet (Nonmetered)

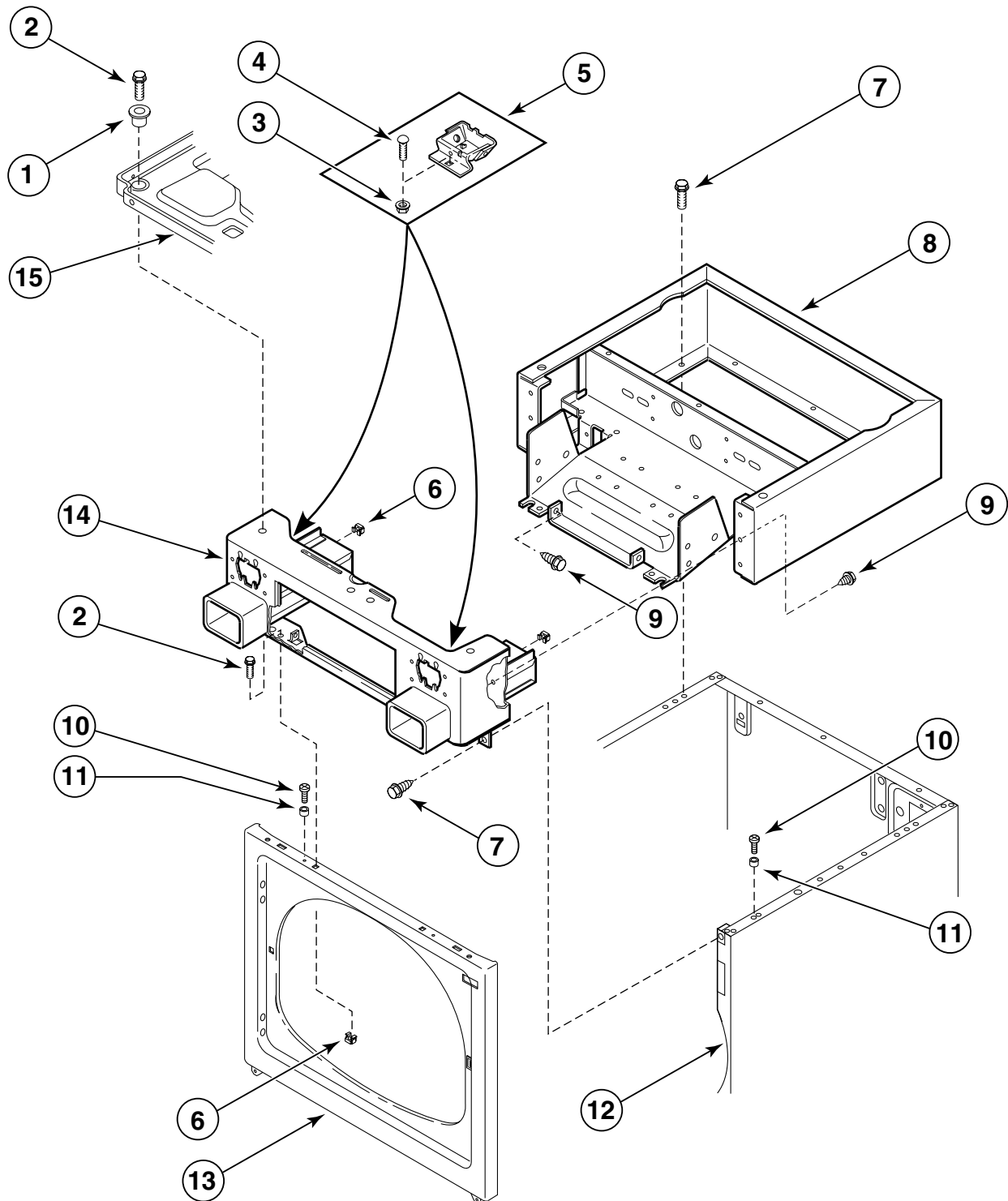
Models SSE007*A, SSE007*A1500, SSG009*A, USE007*A and USG009*A

REF	PART #	DESCRIPTION	COMMENTS
1	501307	Washer	
2	502431	Screw	
3	503661	Screw	
4	505753*	Control Cabinet Wrapper	
5	503688	Screw	
6	32671	Screw	
7	56079	Locator	
8	727P3*	Cabinet Kit	
9	510066*	Front Panel	
10	80077	Caged Nut	
11	500225*	Control Cabinet Front	

* Add Letter To Designate Color. L – Almond W – White

Control Cabinet (Coin Slide Ready)

Models HSE117*A, HSE117*C, HSG119*A, HSG119*C, SSE107*A, SSE107*A1500, SSE117*A, SSE117*A1500, SSE307*A, SSE307*A1500, SSG109*A, SSG119*A and SSG309*A



D333PZ3A

Control Cabinet (Coin Slide Ready)

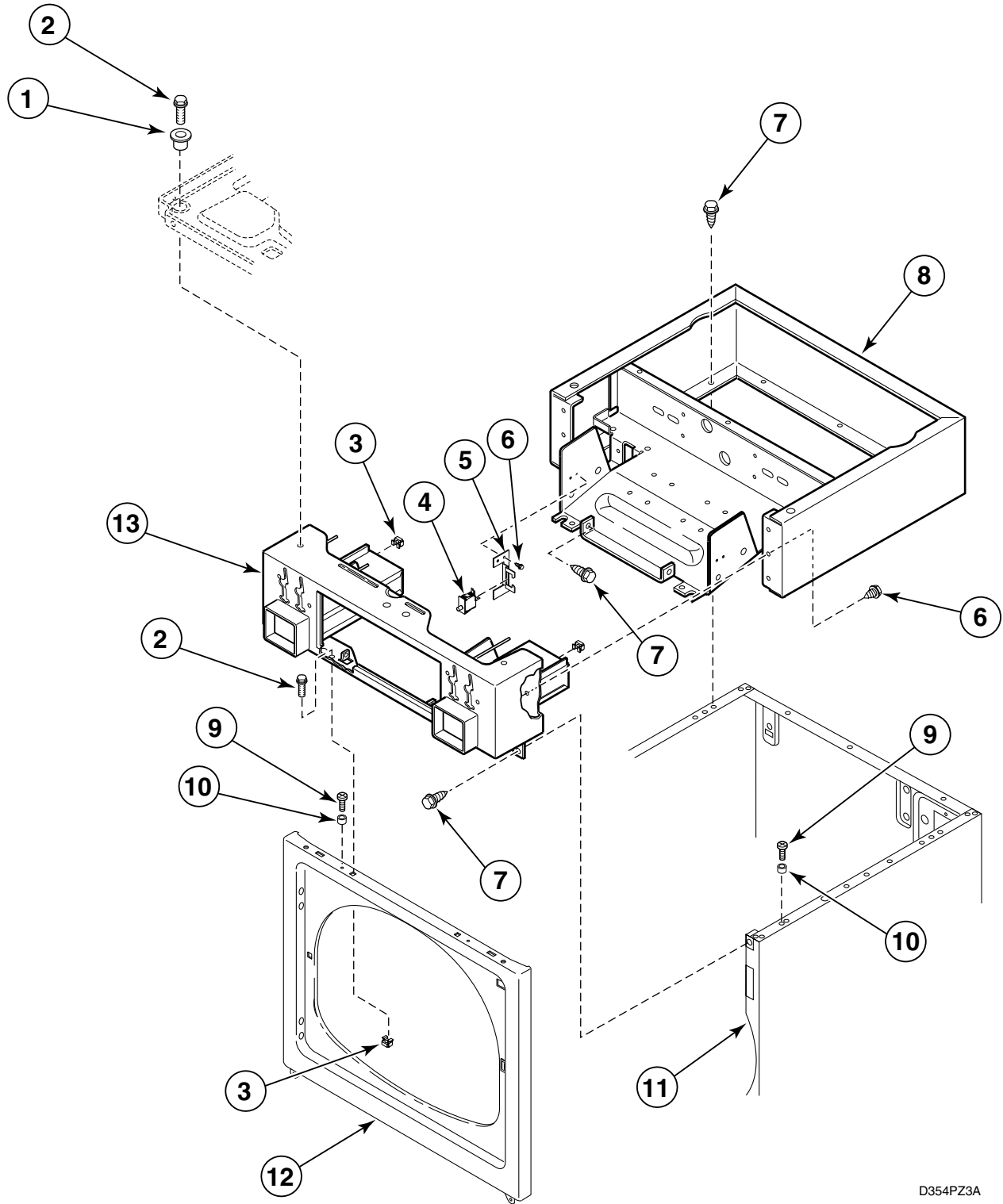
Models HSE117*A, HSE117*C, HSG119*A, HSG119*C, SSE107*A, SSE107*A1500, SSE117*A,
SSE117*A1500, SSE307*A, SSE307*A1500, SSG109*A, SSG119*A and SSG309*A

REF	PART #	DESCRIPTION	COMMENTS
1	501307	Washer	
2	502431	Screw	
3	29796	Nut	
4	29651	Bolt	
5	523P3	Coin Funnel Kit	
6	80077	Caged Nut	
7	503661	Screw	
8	505753*	Control Cabinet Wrapper	
9	503688	Screw	
10	32671	Screw	
11	56079	Locator	
12	727P3*	Cabinet Kit	Lower Dryer
13	510066*	Front Panel	Lower Dryer
14	500847*	Control Cabinet Front	
15	510084	Base	Upper Dryer

* Add Letter To Designate Color. L – Almond W – White

Control Cabinet (Coin Drop)

Models SSE407*A, SSE407*A1500, SSE407*D, SSE407*D1500, SSE417*A, SSE417*D, SSE507*A, SSE507*A1500, SSE517*A, SSE517*A1500, SSG409*A, SSG409*D, SSG419*A, SSG419*D, SSG509*A and SSG519*A



D354PZ3A

Control Cabinet (Coin Drop)

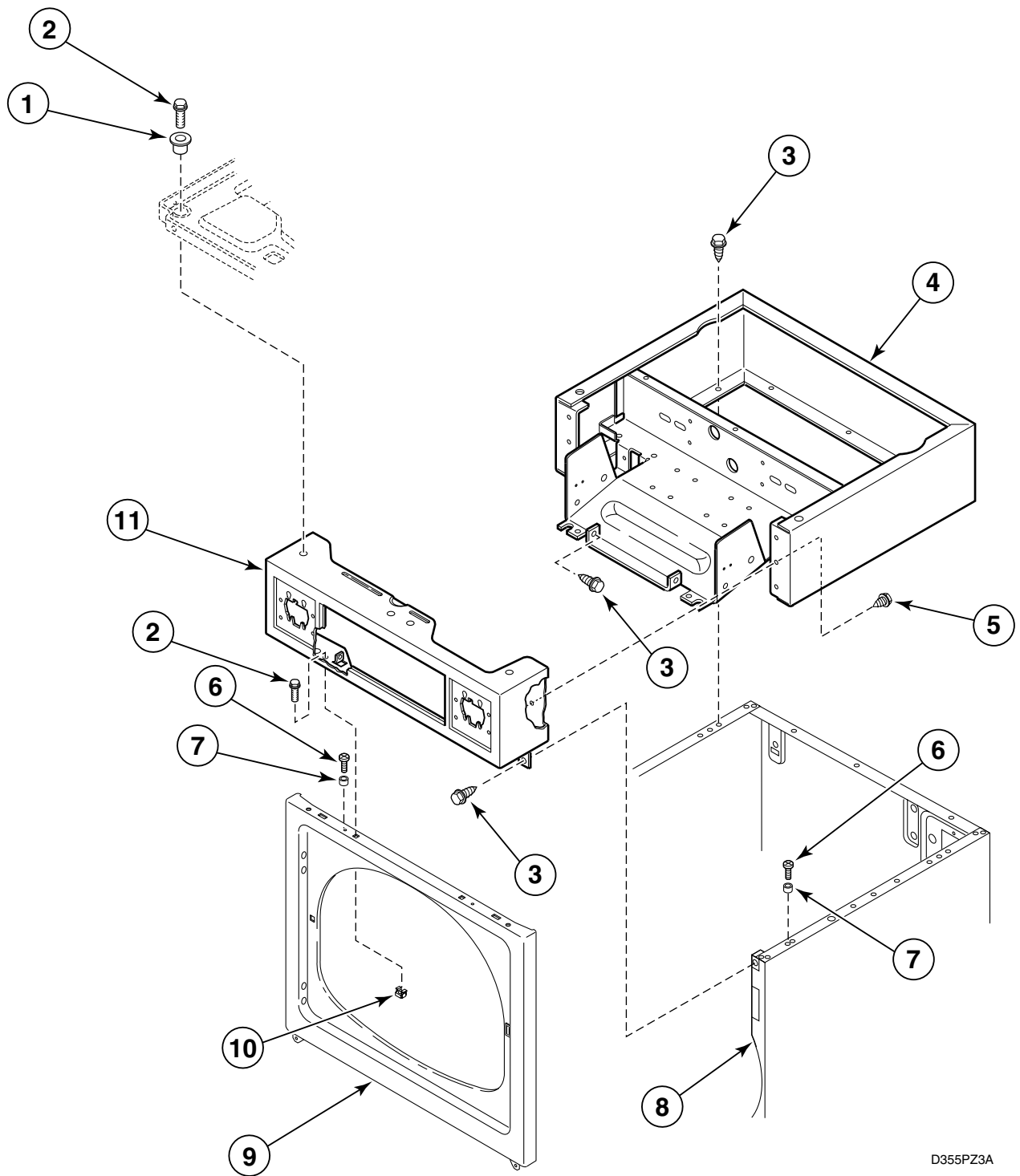
Models SSE407*A, SSE407*A1500, SSE407*D, SSE407*D1500, SSE417*A, SSE417*D, SSE507*A, SSE507*A1500, SSE517*A, SSE517*A1500, SSG409*A, SSG409*D, SSG419*A, SSG419*D, SSG509*A and SSG519*A

REF	PART #	DESCRIPTION	COMMENTS
1	501307	Washer	
2	502431	Screw	
3	80077	Caged Nut	
4	504570	Switch	
5	38087	Bracket	
6	503688	Screw	
7	503661	Screw	
8	505753*	Control Cabinet Wrapper	
9	32671	Screw	
10	56079	Locator	
11	727P3*	Cabinet Kit	Lower Dryer
12	510066*	Front Panel	Lower Dryer
13	503761*	Control Cabinet Front	

* Add Letter To Designate Color. L – Almond W – White

Control Cabinet (Card Reader Ready)

Models SSE607*C, SSE607*C1500, SSE607*D, SSE607*D1500, SSE617*C, SSE617*D,
SSG609*C, SSG609*D, SSG619*C and SSG619*D



D355PZ3A

Control Cabinet (Card Reader Ready)

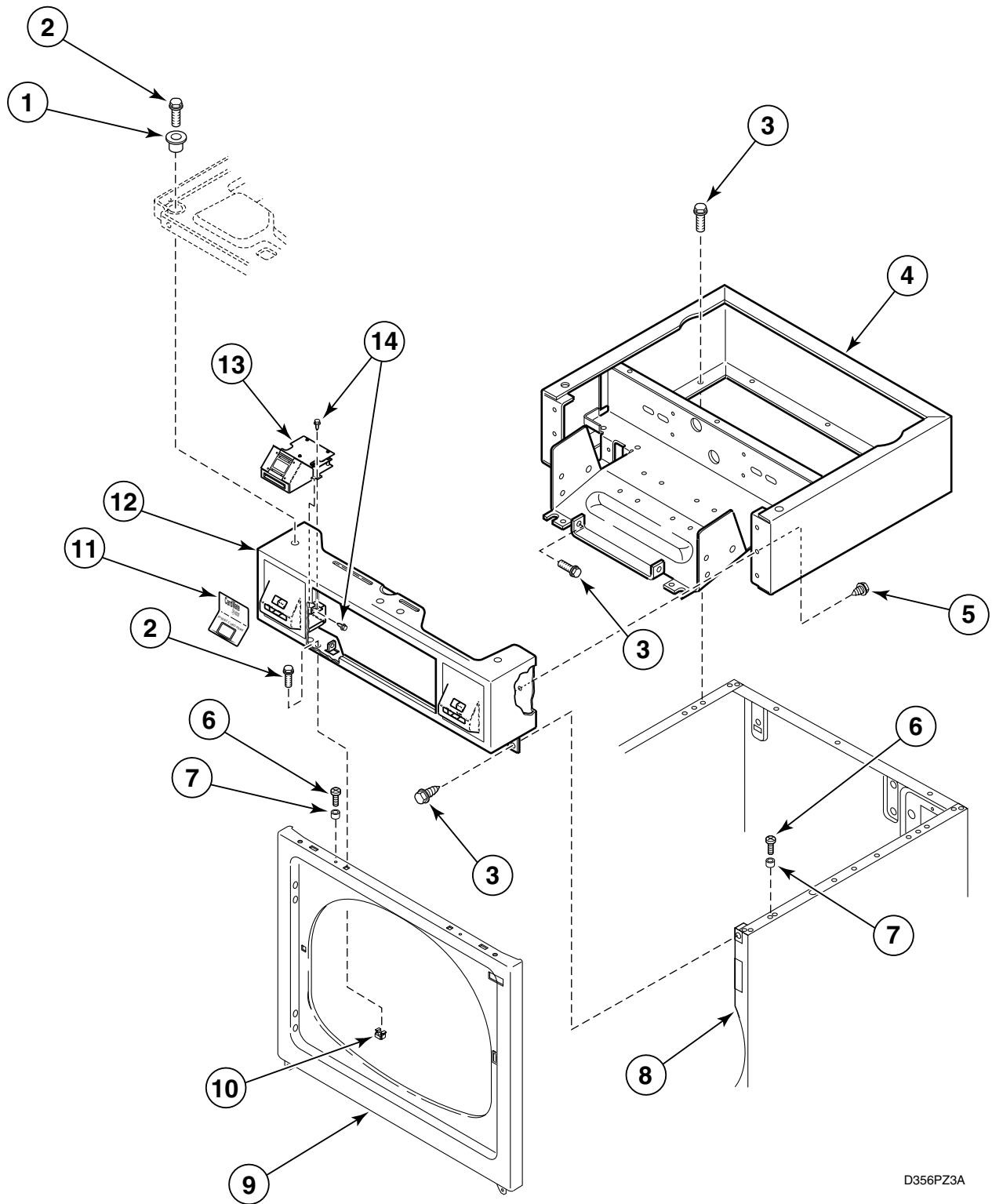
Models SSE607*C, SSE607*C1500, SSE607*D, SSE607*D1500, SSE617*C, SSE617*D,
SSG609*C, SSG609*D, SSG619*C and SSG619*D

REF	PART #	DESCRIPTION	COMMENTS
1	501307	Washer	
2	502431	Screw	
3	503661	Screw	
4	505753*	Control Cabinet Wrapper	
5	503688	Screw	
6	32671	Screw	
7	56079	Locator	
8	727P3*	Cabinet Kit	Lower Dryer
9	510066*	Front Panel	Lower Dryer
10	80077	Caged Nut	
11	505227*	Control Cabinet Front	

* Add Letter To Designate Color. L – Almond W – White

Control Cabinet (Card Reader Installed)

Models SSE707*A, SSE717*A, SSG709*A and SSG719*A



D356PZ3A

Control Cabinet (Card Reader Installed)

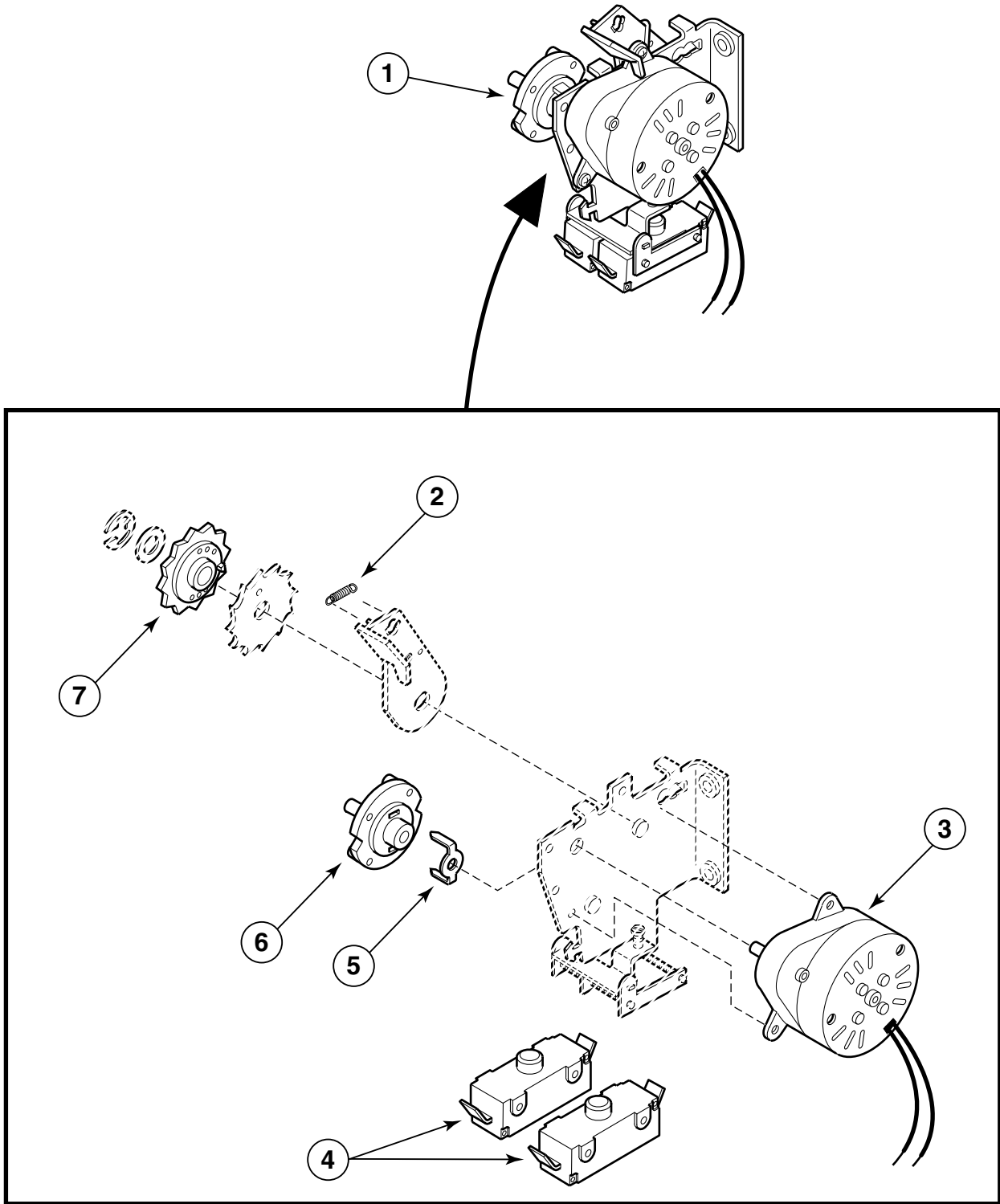
Models SSE707*A, SSE717*A, SSG709*A and SSG719*A

REF	PART #	DESCRIPTION	COMMENTS
1	501307	Washer	
2	502431	Screw	
3	503661	Screw	
4	505753*	Control Cabinet Wrapper	
5	503688	Screw	
6	32671	Screw	
7	56079	Locator	
8	727P3*	Cabinet Kit	Lower Dryer
9	510066*	Front Panel	Lower Dryer
10	80077	Caged Nut	
11	38192	Card Reader Overlay	
12	503428*	Control Cabinet Front	
13	39685	Card Reader	
14	503661	Screw	

* Add Letter To Designate Color. L – Almond W – White

Two Switch Timer

Models HSE117*A, HSE117*C, HSG119*A, HSG119*C, SSE107*A, SSE107*A1500,
SSE117*A, SSE117*A1500, SSG109*A and SSG119*A



D362PZ3A

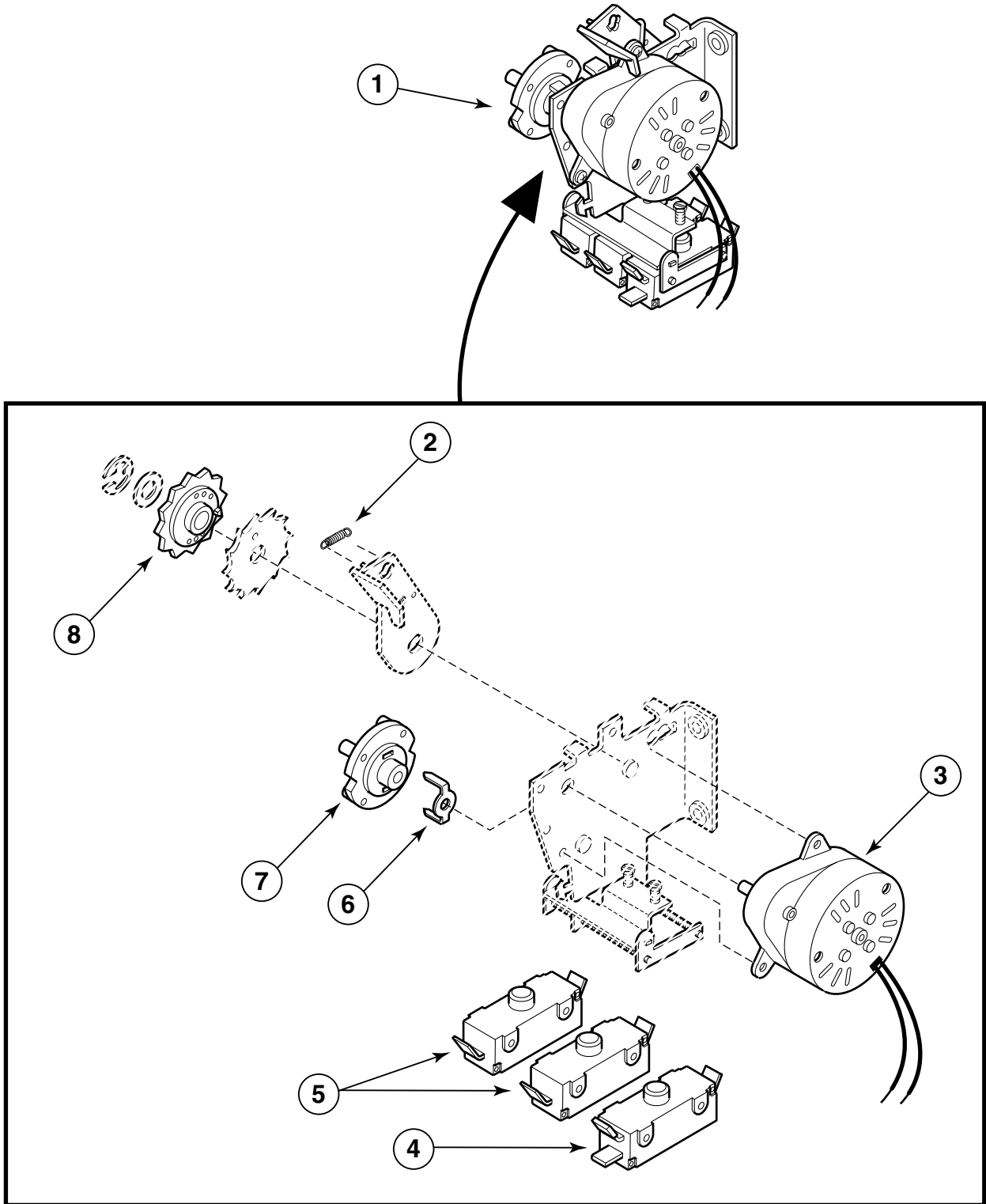
Two Switch Timer

Models HSE117*A, HSE117*C, HSG119*A, HSG119*C, SSE107*A, SSE107*A1500,
SSE117*A, SSE117*A1500, SSG109*A and SSG119*A

REF	PART #	DESCRIPTION	COMMENTS
1	510628P	Accumulator Kit	
2	53244	Pawl Spring	
3	53235P	Timing Motor	
4	53236	Switch	
5	M400754	Timing Cam Drive	
6	53240	Timing Cam	60 minute; 3 pins
	53241	Timing Cam	45 minute; 4 pins
	53242	Timing Cam	30 minute; 6 pins
	53243	Timing Cam	20 minute; 9 pins
7	53239	Ratchet Wheel	

Three Switch Timer

Models SSE307*A, SSE307*A1500 and SSG309*A



D363PZ3A

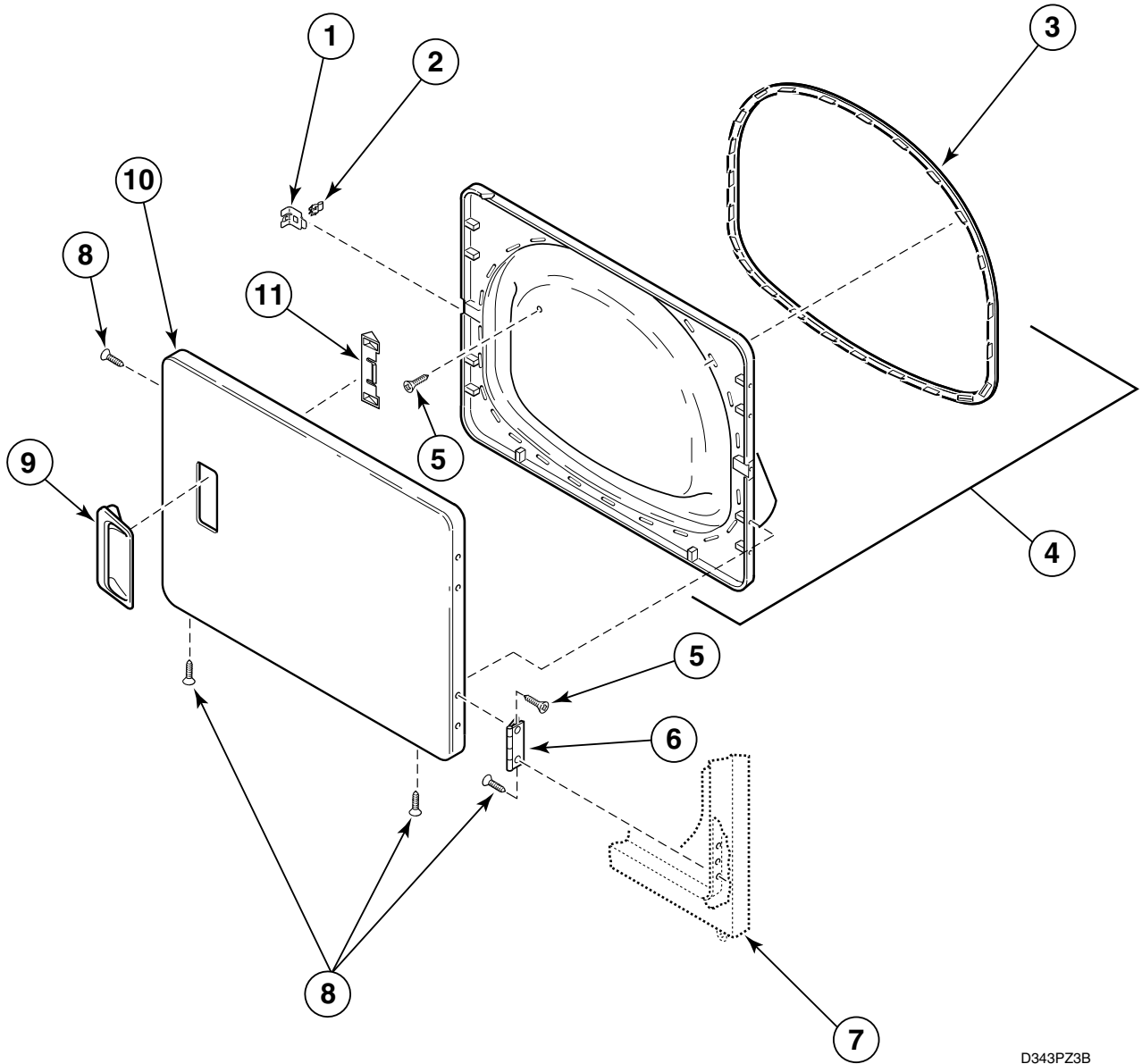
Three Switch Timer

Models SSE307*A, SSE307*A1500 and SSG309*A

REF	PART #	DESCRIPTION	COMMENTS
1	510630P	Accumulator Kit	
2	53244	Pawl Spring	
3	53235P	Timing Motor	
4	61468	Switch	
5	53236	Switch	
6	M400754	Timing Cam Drive	
7	53240	Timing Cam	60 minute; 3 pins
	53241	Timing Cam	45 minute; 4 pins
	53242	Timing Cam	30 minute; 6 pins
	53243	Timing Cam	20 minute; 9 pins
8	53239	Ratchet Wheel	

Loading Door

Models SSE007*A, SSE007*A1500, SSE107*A, SSE107*A1500,
SSE307*A, SSE307*A1500, SSE507*A, SSE507*A1500, SSE707*A,
SSG009*A, SSG109*A, SSG309*A, SSG509*A, SSG709*A, USE007*A and USG009*A



D343PZ3B

Loading Door

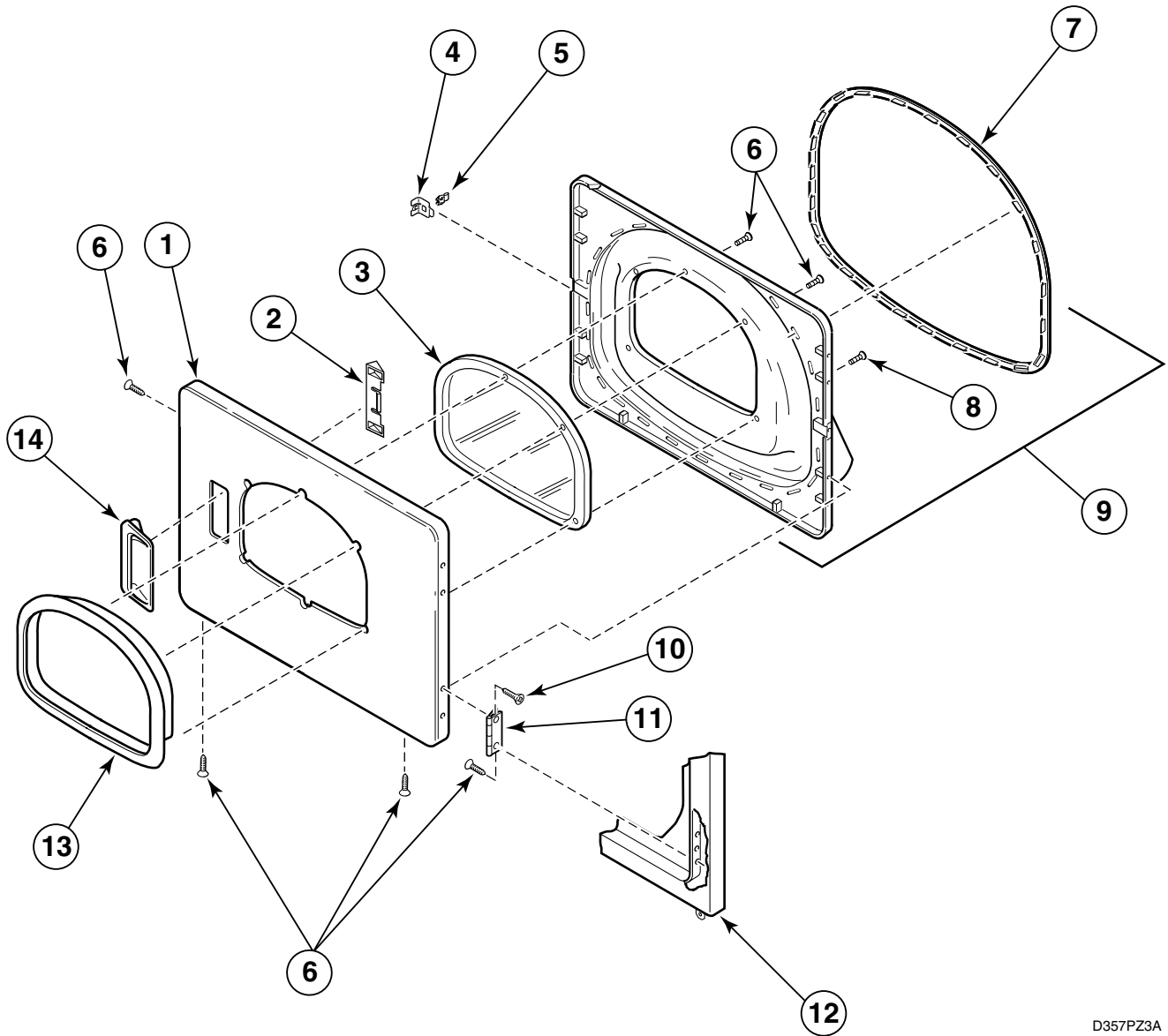
Models SSE007*A, SSE007*A1500, SSE107*A, SSE107*A1500,
SSE307*A, SSE307*A1500, SSE507*A, SSE507*A1500, SSE707*A,
SSG009*A, SSG109*A, SSG309*A, SSG509*A, SSG709*A, USE007*A and USG009*A

REF	PART #	DESCRIPTION	COMMENTS
1	510127	Door Striker Bracket	
2	510181	Door Striker	
3	510147	Door Seal	
4	510163W	Inner Door Panel and Seal Assembly	
5	505295	Screw	
6	511036	Door Hinge	
7	510066*	Front Panel	
8	500226	Screw	
9	510103*P	Door Pull	Includes item 11
10	510013*	Outer Door Panel	
11	510129	Wedge	

* Add Letter To Designate Color. L – Almond W – White

Loading Door With Window

Models HSE117*A, HSE117*C, HSG119*A, HSG119*C, SSE117*A, SSE117*A1500, SSE417*A, SSE417*D, SSE517*A, SSE517*A1500, SSE717*A, SSG119*A, SSG419*A, SSG419*D, SSG519*A and SSG719*A



D357PZ3A

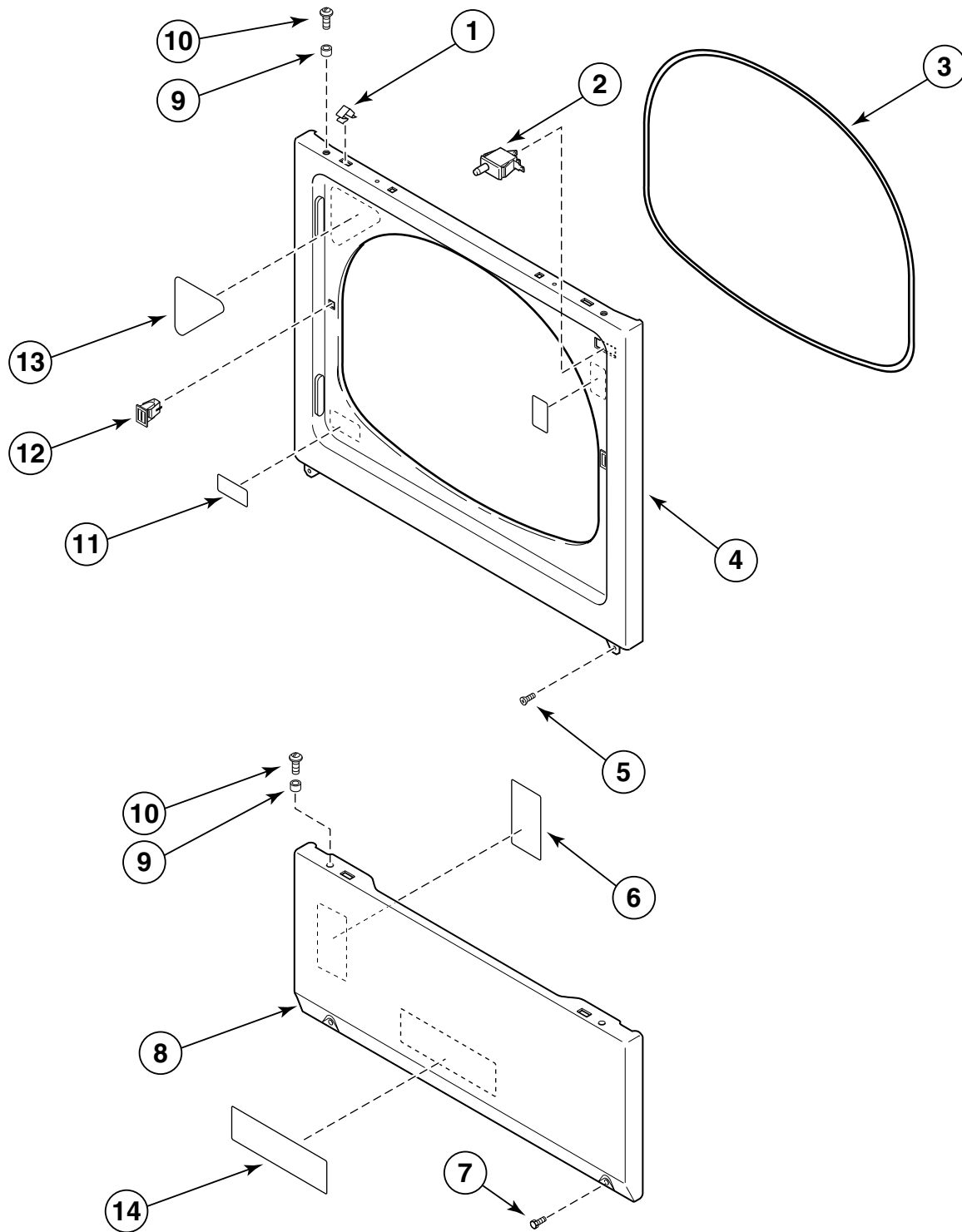
Loading Door With Window

Models HSE117*A, HSE117*C, HSG119*A, HSG119*C, SSE117*A, SSE117*A1500, SSE417*A, SSE417*D, SSE517*A, SSE517*A1500, SSE717*A, SSG119*A, SSG419*A, SSG419*D, SSG519*A and SSG719*A

REF	PART #	DESCRIPTION	COMMENTS
1	510082*	Outer Door Panel	
2	510129	Wedge	
3	503982	Window	
4	510127	Door Striker Bracket	
5	510181	Door Striker	
6	500226	Screw	
7	510147	Door Seal	
8	505870	Screw	
9	510098W	Inner Door Panel and Seal Assembly	
10	505295	Screw	
11	511036	Door Hinge	
12	510066*	Front Panel	
13	503981*	Window Trim	
14	510103*P	Door Pull	Includes item 1

* Add Letter To Designate Color. L – Almond W – White

Access Panel, Front Panel and Seal



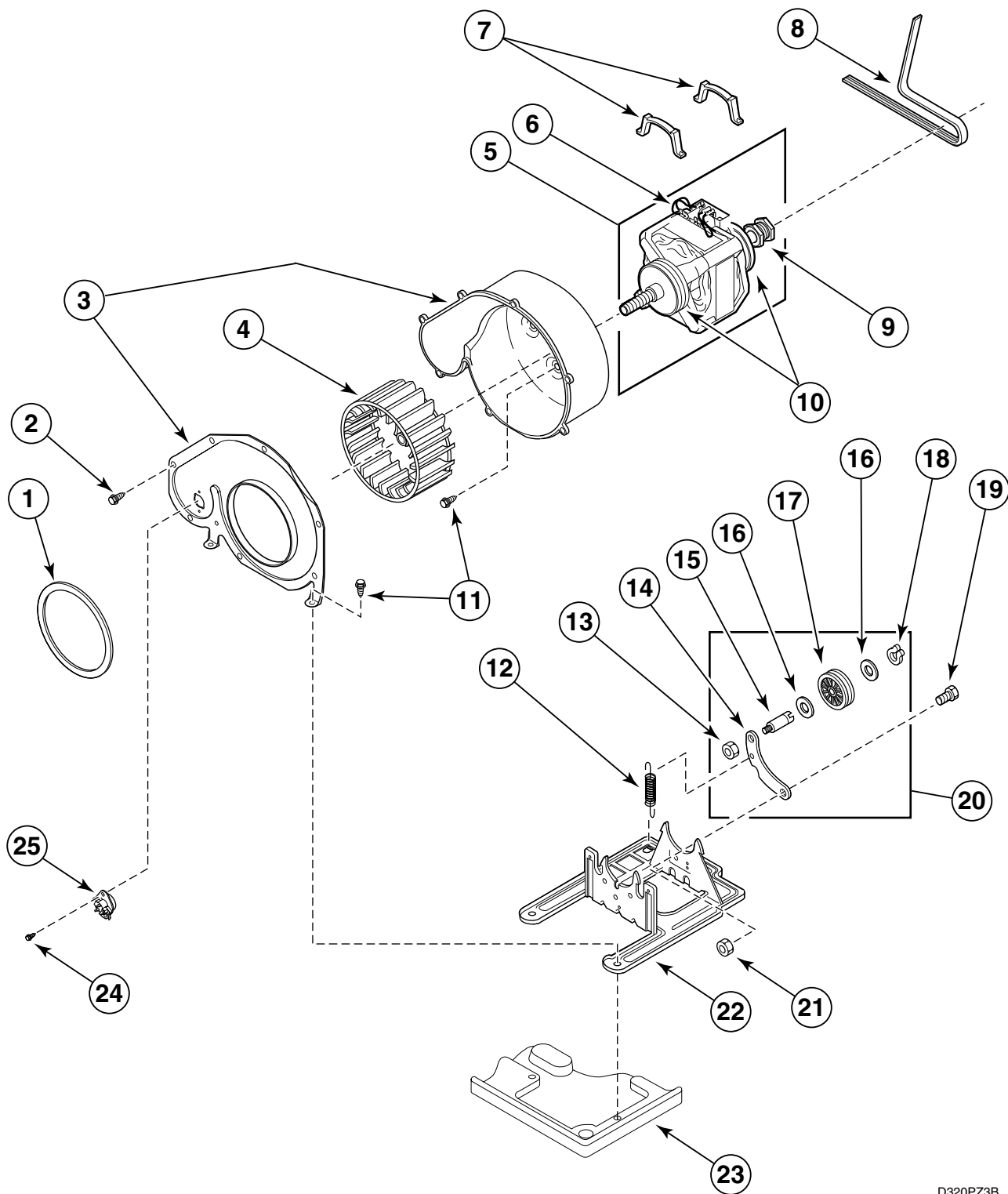
D335PZ3A

Access Panel, Front Panel and Seal

REF	PART #	DESCRIPTION	COMMENTS
	282P4	Torx Bit	Use with 62853 screw
	24161	Torx Bit Holder	Use with 62853 screw
1	28835	Hold-Down Clip	Upper dryer only
2	504570	Door Switch	
3	511056	Front Panel Seal	
4	510066P*	Front Panel	
5	503661	Screw	
6	502791	Label	Gas models
7	33562	Slotted Hex Head Screw	
	62853	Torx Head Screw	Optional for added security
8	510069*	Access Panel	
9	56079	Locator	
10	32671	Screw	
11	502804	Label	
12	510177	Door Catch	
13	500281	Label	
14	500390	Label	Models SSE007*A, SSE007*A1500, SSG009*A, USE007*A and USG009*A

* Add Letter To Designate Color. L – Almond W – White

Motor, Exhaust Fan and Belt



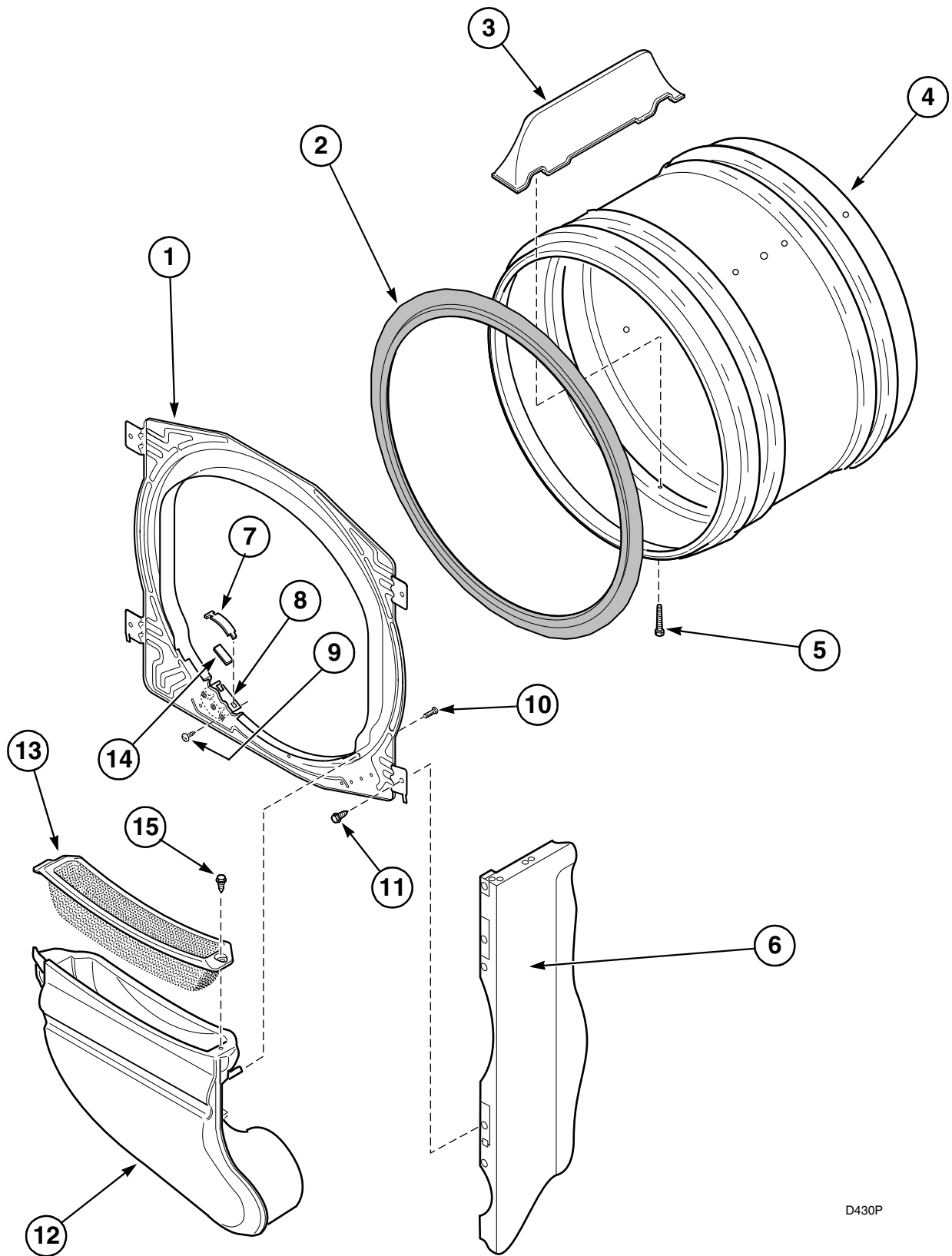
D320PZ3B

Motor, Exhaust Fan and Belt

REF	PART #	DESCRIPTION	COMMENTS
	510717P	Blower and Fan Assembly	Includes items 2 through 5, 7, 9, and 12 through 22
1	510238	Seal	
2	31260	Screw	
3	510138P	Exhaust Fan Cover and Housing Kit	
4	510139	Exhaust Fan Impeller	
5	510508P	Motor Assembly	Includes items 6 and 9
6	501218P	Motor Switch	Does Not Include Thermal Protector
7	510180	Motor Mounting Clamp	
8	510178	Belt	
9	500011	Motor Pulley	
10	590P3	Motor Hub Ring Kit	
11	503661	Screw	
12	510185	Spring	
13	56156	Locknut	
14	510133	Idler Lever	
15	56461	Shaft	
16	52549	Washer	
17	510142	Idler Pulley	
18	23748	Retainer Ring	
19	500824	Shoulder Screw	
20	510158	Idler Pulley and Lever Assembly	
21	52566	Locknut	
22	510060	Motor Mounting Bracket	
23	510084	Base	
24	33561	Screw	Use with 59500 Thermistor
25	504515	Thermostat	Models HSE117*A, HSE117*C, HSG119*A, HSG119*C, SSE007*A, SSE007*A1500, SSE107*A, SSE107*A1500, SSE117*A, SSE117*A1500, SSE307*A, SSE307*A1500, SSG009*A, SSG109*A, SSG119*A, SSG309*A, USE007*A and USG009*A
	510523	Thermistor	Models SSE417*A, SSE417*D, SSE507*A, SSE507*A1500, SSE517*A, SSE517*A1500, SSE707*A, SSE717*A, SSG419*A, SSG419*D, SSG509*A, SSG519*A, SSG709*A and SSG719*A

* Add Letter To Designate Color. L – Almond W – White

Front Bulkhead, Air Duct, Felt Seal and Cylinder



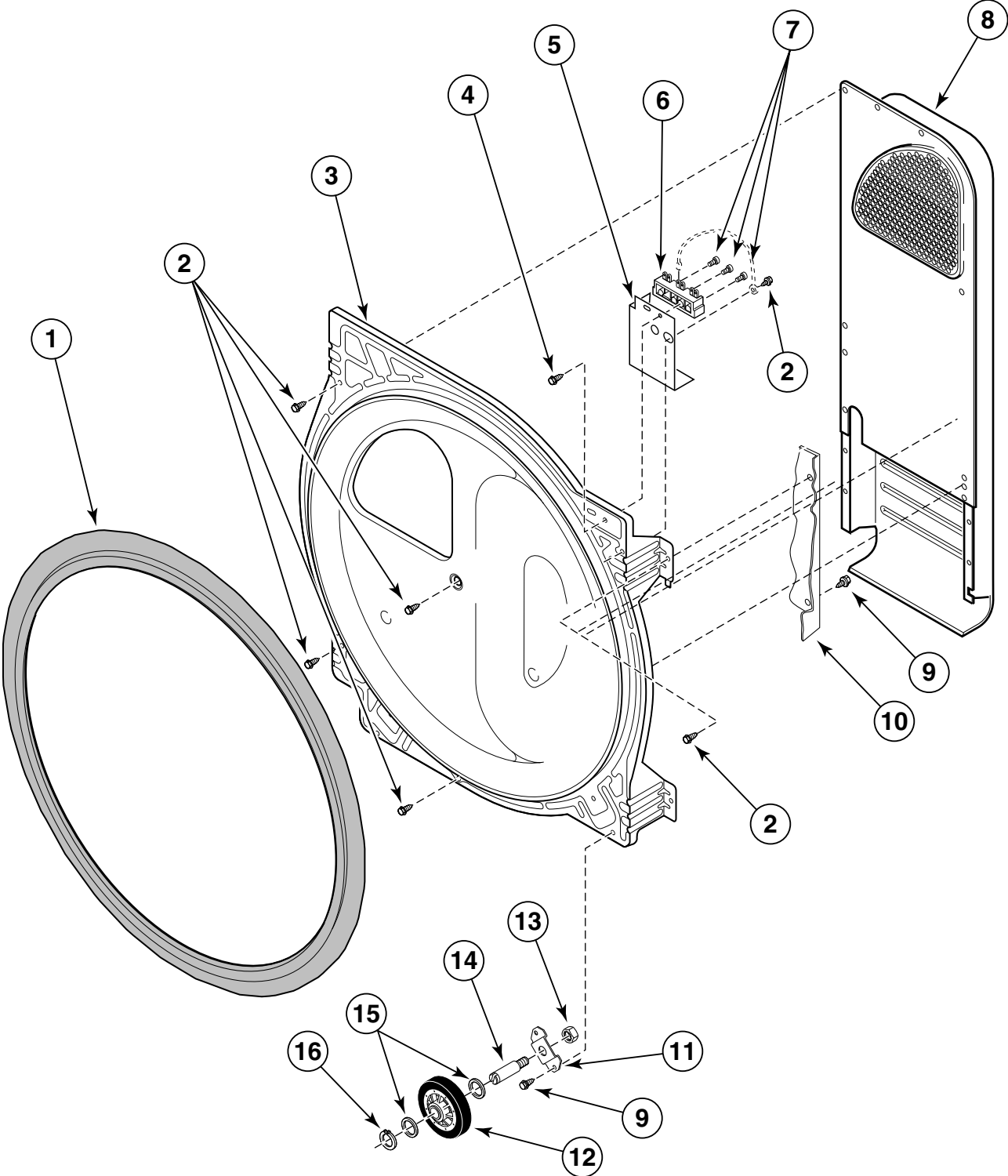
D430P

Front Bulkhead, Air Duct, Felt Seal and Cylinder

REF	PART #	DESCRIPTION	COMMENTS
	22506P	Adhesive for Cylinder Seal	
1	510266	Front Bulkhead	
2	510207P	Cylinder Seal	
3	503703	Baffle	
4	510265P	Cylinder Assembly	Includes baffles
5	62588	Screw	
6	727P3*	Cabinet Kit	
7	510187	Cylinder Glide	Two required per side
8	510145	Glide Bracket	
9	504540	Rivet	
10	500226	Screw	
11	503688	Screw	
12	510151	Air Duct Assembly	
13	503980	Lint Filter	
14	510189	Felt Pad	
15	501285	Screw	

* Add Letter To Designate Color. L – Almond W – White

Rear Bulkhead, Felt Seal, Cylinder Roller and Terminal Block



D291PZ3B

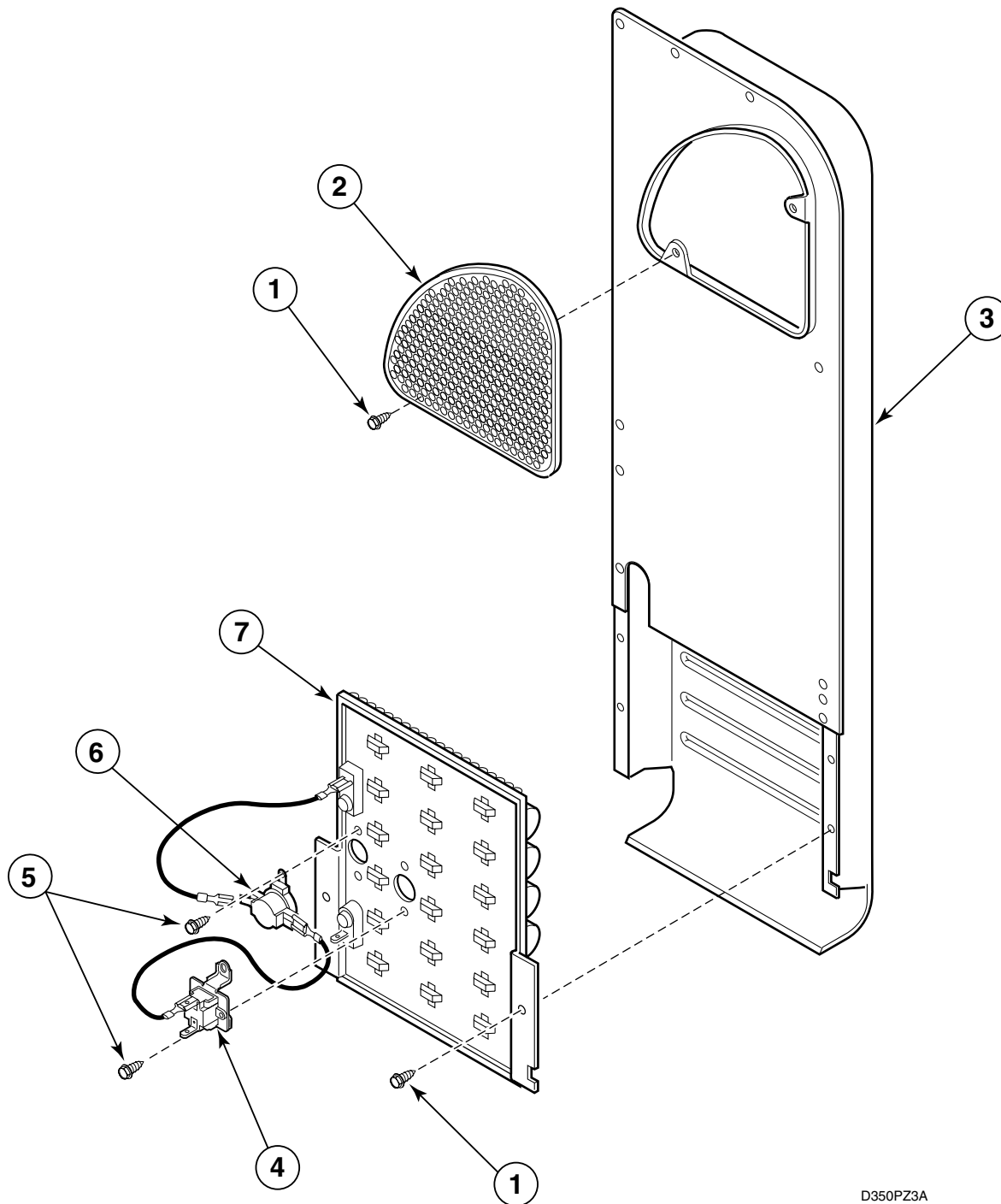
Rear Bulkhead, Felt Seal, Cylinder Roller and Terminal Block

REF	PART #	DESCRIPTION	COMMENTS
	22506P	Adhesive for Cylinder Seal	
1	510207P	Cylinder Seal	
2	503661	Screw	
3	511082	Rear Bulkhead	
4	501285	Screw	
5	510237	Shield	Electric models only
6	510190P	Terminal Block	Includes three of item 7 – Electric Models
7	61199	Screw	
8	510025P	Heater Duct Assembly	Includes 500820 outlet cover
9	503688	Screw	
10	727P3*	Cabinet Kit	
11	510100	Roller Bracket	
12	510708P	Cylinder Roller	
13	56156	Locknut	
14	56461	Shaft	
15	52549	Washer	
16	23748	Retainer Ring	

* Add Letter To Designate Color. L – Almond W – White

Heater Duct and Element Assembly

Electric Model Dryers



D350PZ3A

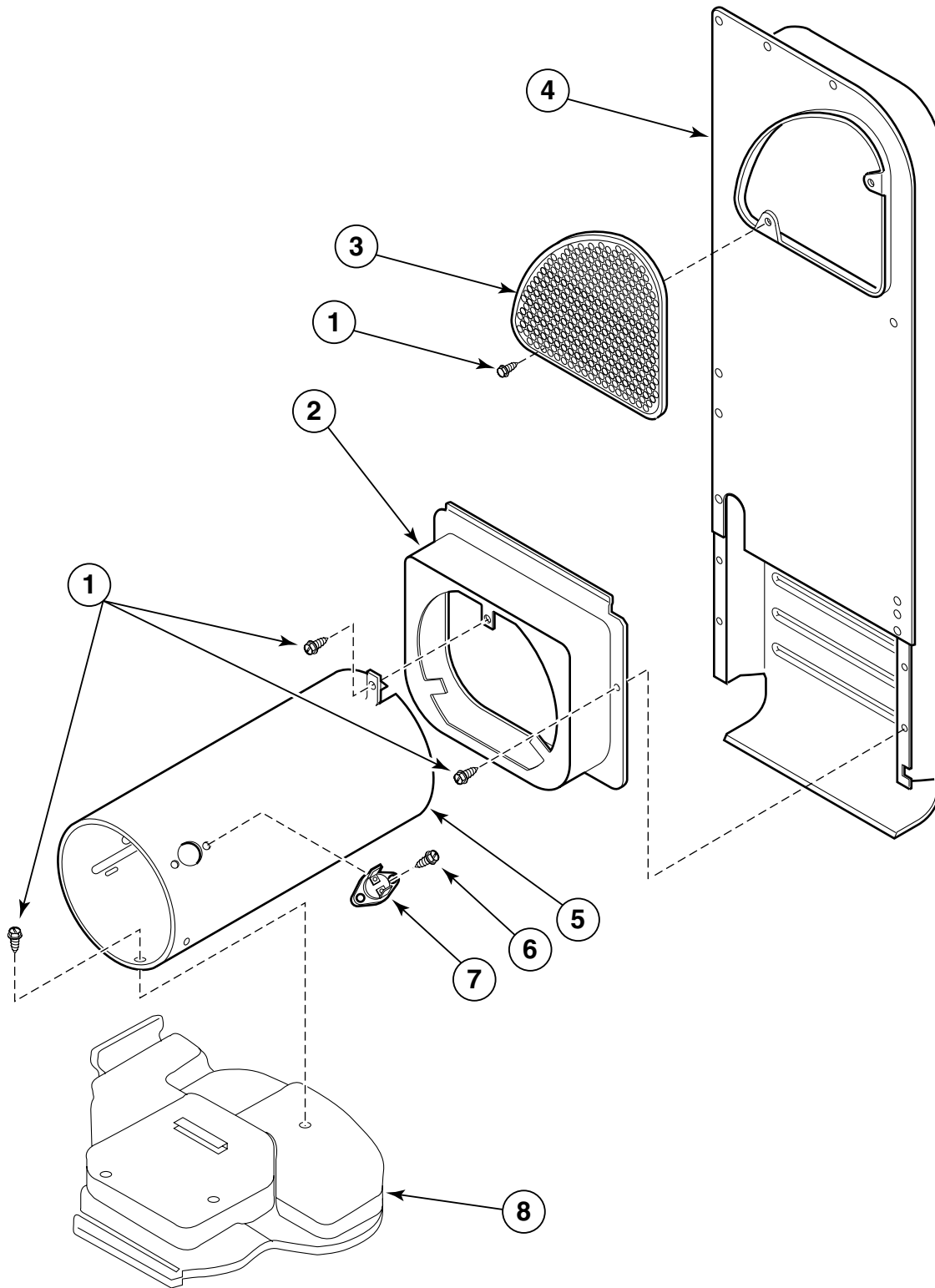
Heater Duct and Element Assembly

Electric Model Dryers

REF	PART #	DESCRIPTION	COMMENTS
1	503688	Screw	
2	500820	Outlet Cover	
3	510025P	Heater Duct Assembly	Includes item 2
4	510183	Thermal Fuse	
5	23222	Screw	
6	510701	Limit Thermostat	
7	510329	Heater Assembly	
	61928	Heater Assembly	208 Volt

Heater Duct Assembly

Gas Model Dryers



D315PZ3C

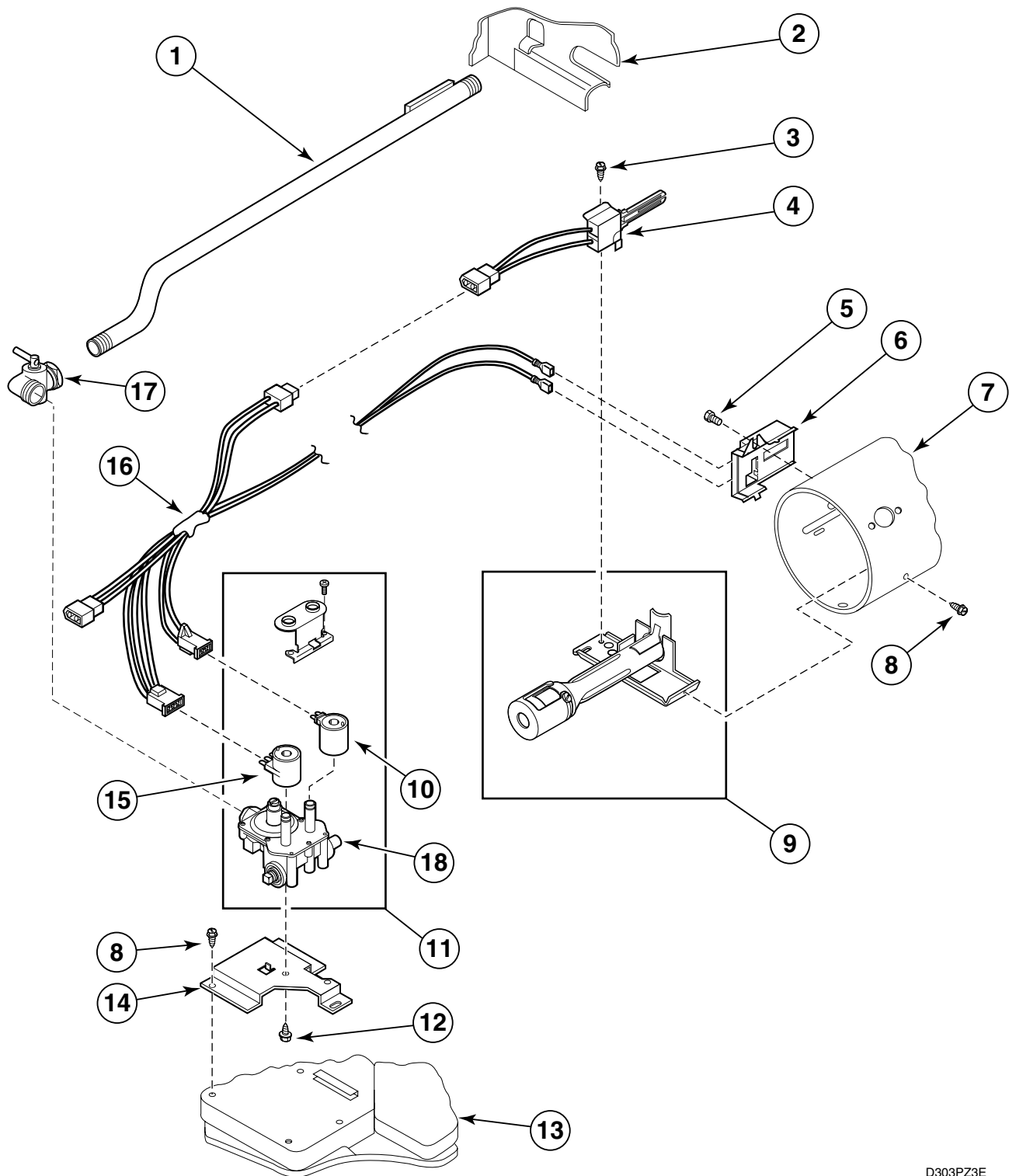
Heater Duct Assembly

Gas Model Dryers

REF	PART #	DESCRIPTION	COMMENTS
1	503688	Screw	
2	510101	Heat Shroud	
3	500820	Outlet Cover	
4	510025P	Heater Duct Assembly	Includes item #3
5	510131	Combustion Duct	
6	51782	Screw	
7	510702	Limit Thermostat	Color code "Black"
8	510084	Base	

Gas Valve, Igniter and Gas Conversion Kits

Gas Model Dryers



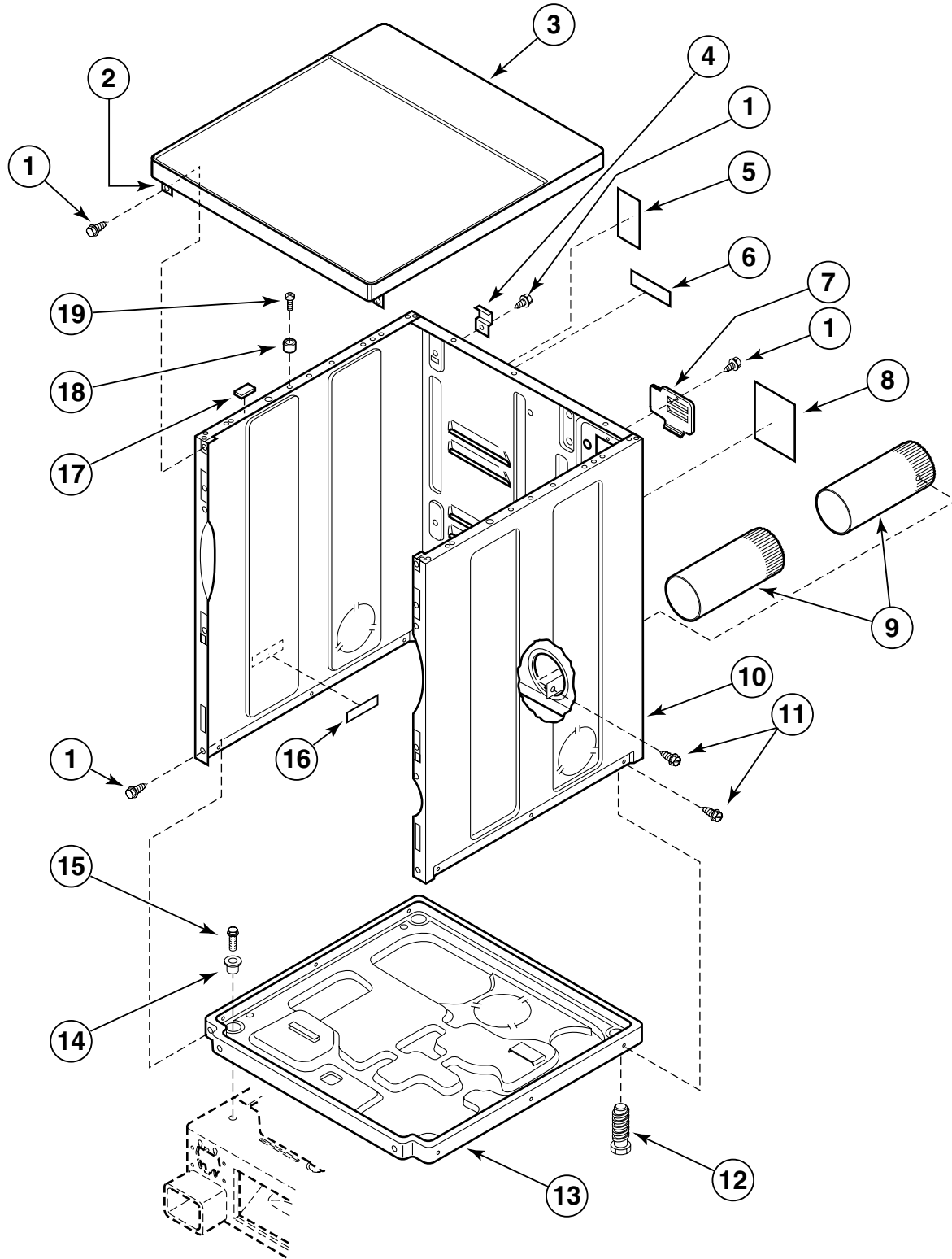
D303PZ3E

Gas Valve, Igniter and Gas Conversion Kits

Gas Model Dryers

REF	PART #	DESCRIPTION	COMMENTS
	458P3	Gas Burner Conversion Kit	Used to convert dryers from Natural/Mixed to LP Gas
	459P3	Gas Burner Conversion Kit	Used to convert dryers from LP to Natural/Mixed Gas
1	510204	Lead-In Pipe Assembly	
2	727P3	Cabinet	
3	51782	Screw	
4	510184P	Igniter and Bracket Assembly	
5	23222	Screw	
6	510213	Sensor	
7	510131	Combustion Duct	
8	503688	Screw	
9	510149	Burner Assembly	
10	58804B	Secondary Coil	
11	60353	Gas Valve Assembly	
12	56124	Screw	
13	510084	Base	
14	510128	Mounting Bracket	
15	58804A	Holding and Booster Coil	
16	510530	Wire Harness	
17	510205	Shut-off Valve	
18		Orifice	Refer to page 58

Cabinet, Exhaust Duct and Base (Upper Dryer)



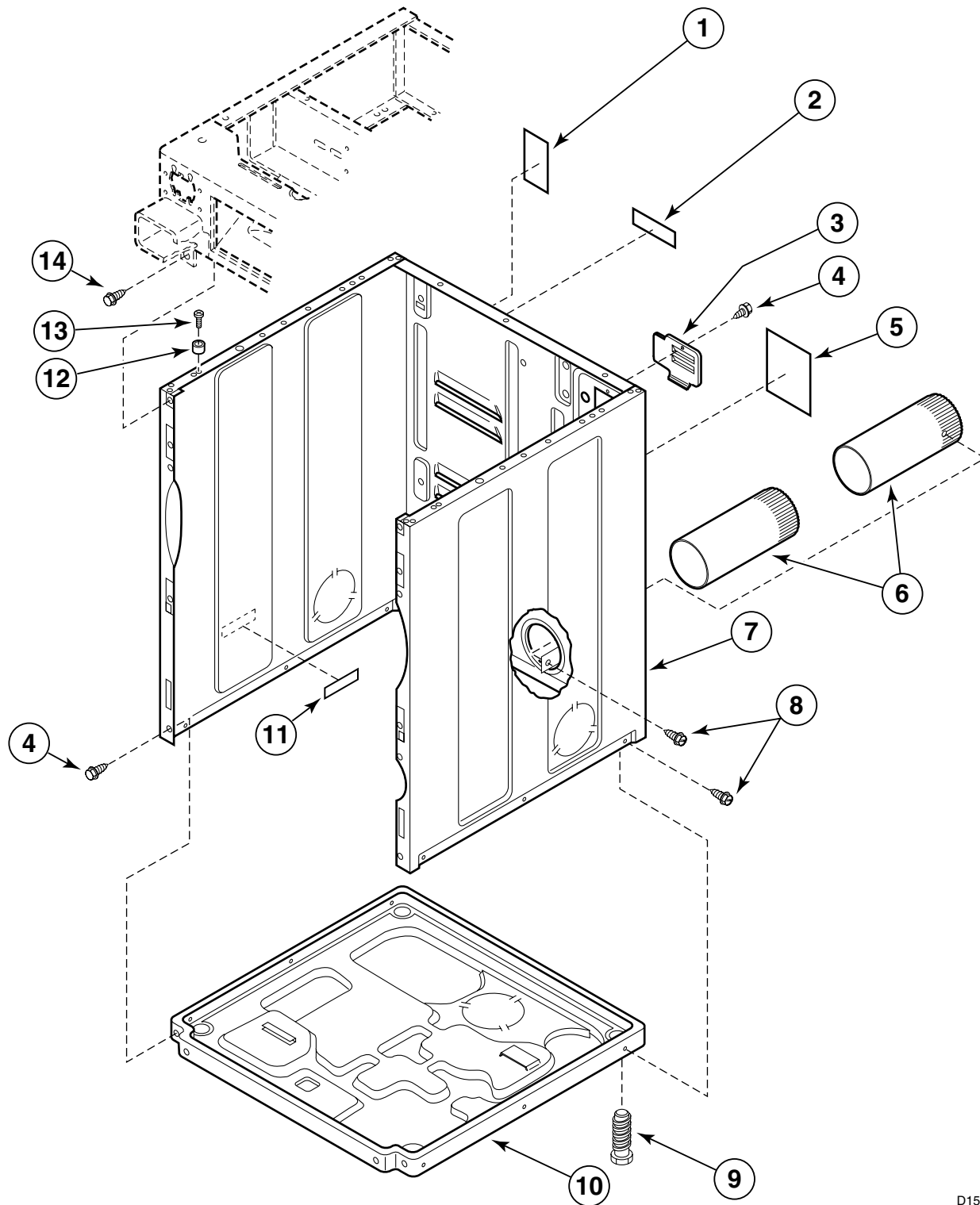
D151PZ3A

Cabinet, Exhaust Duct and Base (Upper Dryer)

REF	PART #	DESCRIPTION	COMMENTS
1	503661	Screw	
2	510146	Bracket	
3	510032*P	Cabinet Top	
4	510136	Hinge	
5	511004	Label	Gas models
6	505281	Label	
7	510903	Access Plate	
8	511005	Label	Electric models
9	510137	Exhaust Duct	
10	727P3*	Cabinet Kit	Includes Left Side Panel 510001*, Right Side Panel 510002 and Rear Side Panel 510005*
11	503688	Screw	
12	510135	Leveling Leg	Rear only
13	510084	Base	
14	501307	Washer	
15	502431	Screw	
16	61294	Label	Electric models
17	56128	Bumper	
18	56079	Locator	
19	32671	Screw	

* Add Letter To Designate Color. L – Almond W – White

Cabinet, Exhaust Duct and Base (Lower Dryer)



D152PZ3A

Cabinet, Exhaust Duct and Base (Lower Dryer)

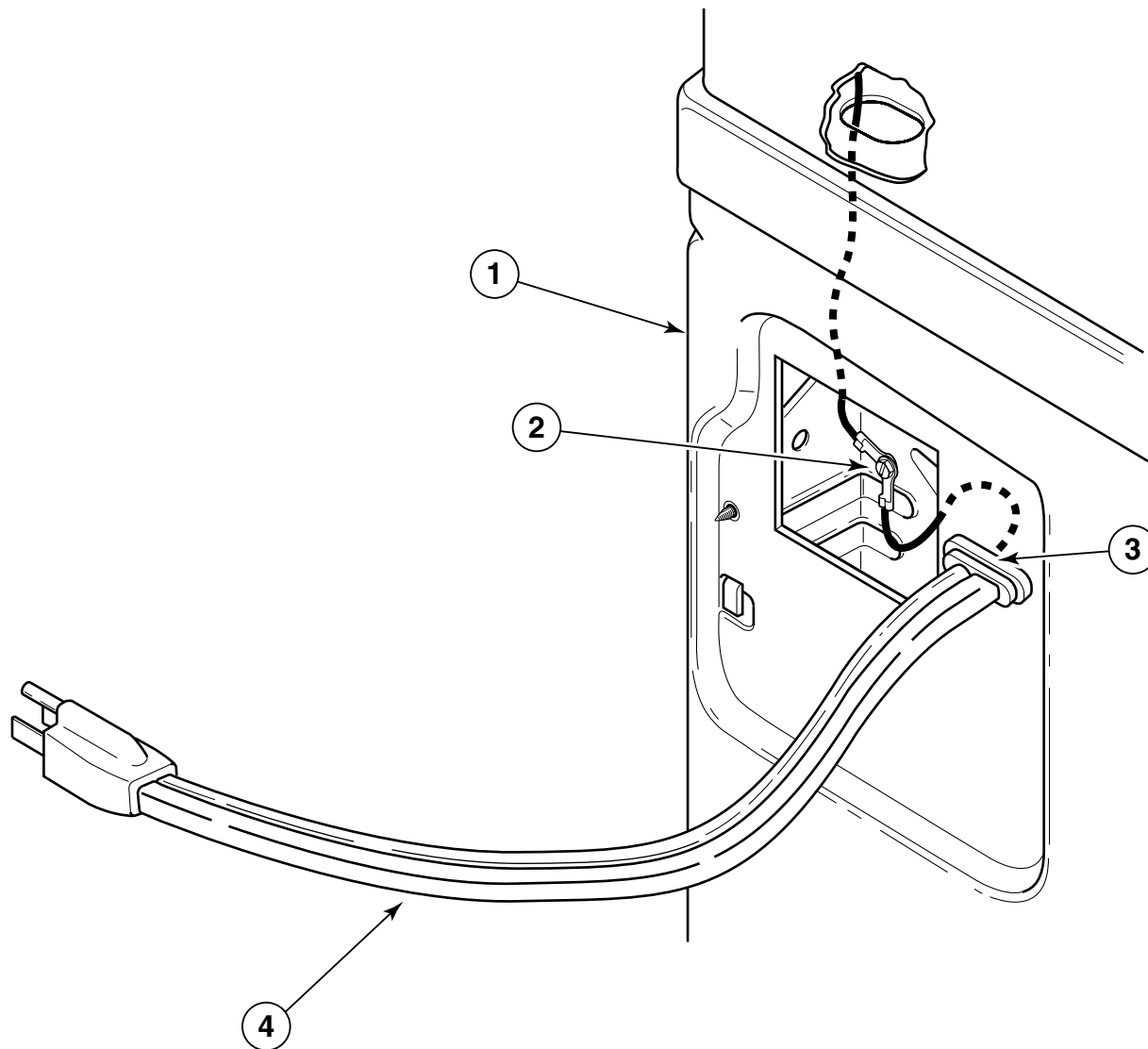
REF	PART #	DESCRIPTION	COMMENTS
1	511004	Label	Gas models
2	505781	Label	
3	510903	Access Plate	
4	503661	Screw	
5	501286	Label	Electric models; N/A
6	510137	Exhaust Duct	
7	727P3	Cabinet	
8	503688	Screw	
9	510135	Leveling Leg	
10	510084	Base	
11	61294	Label	Electric models
12	56079	Locator	
13	32671	Screw	
14	33562	Screw	

* Add Letter To Designate Color. L – Almond W – White

N/A = No Longer Available

Power Cord

All Gas Models



D298PZ3B

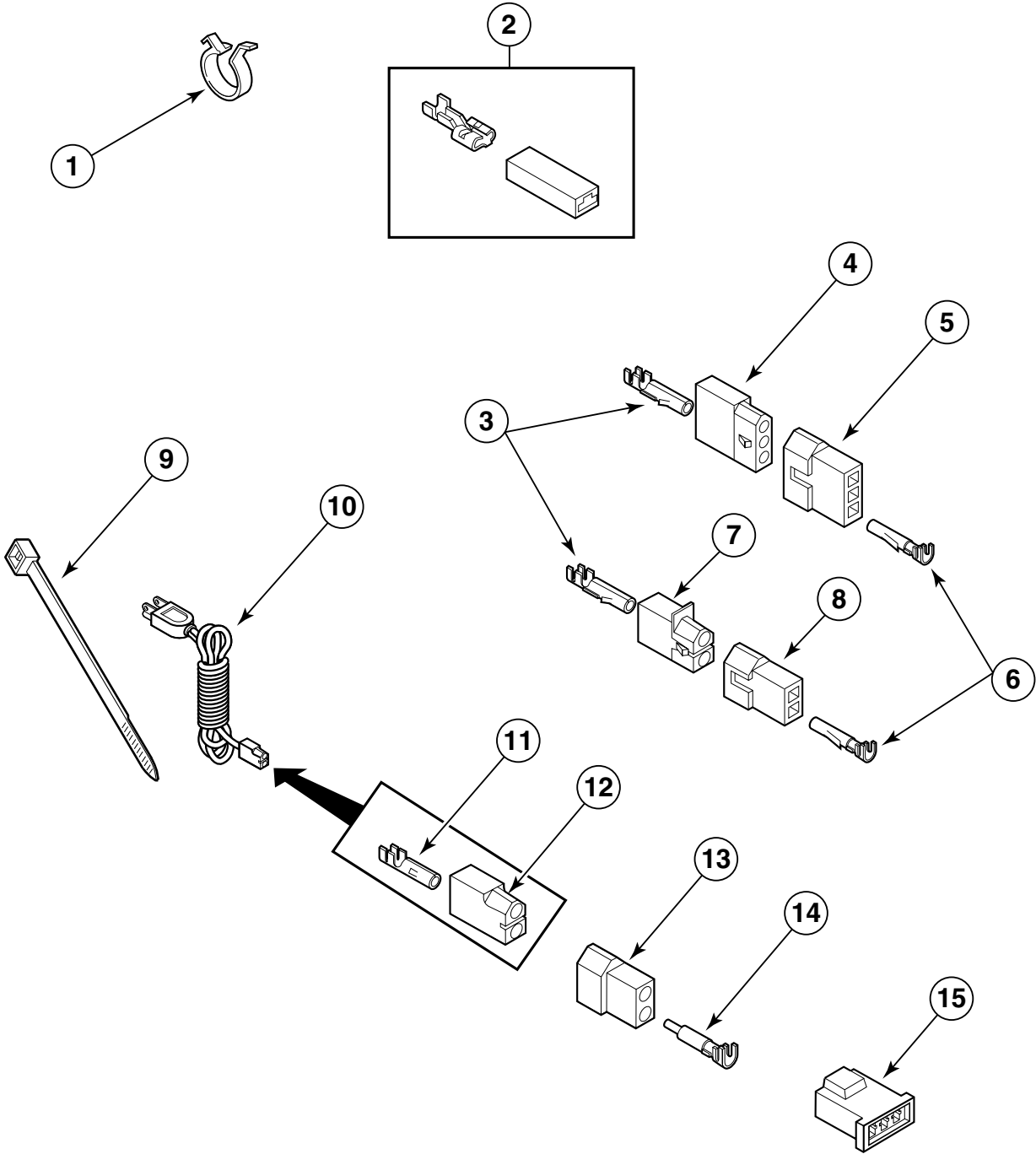
Power Cord

All Gas Models

REF	PART #	DESCRIPTION	COMMENTS
1	727P3*	Cabinet Kit	
2	20530	Screw	
3	38384	Strain Relief	
4	59308	Power Cord	

* Add Letter To Designate Color. L – Almond W – White

Terminal Block and Terminals

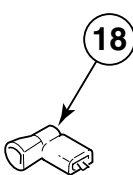
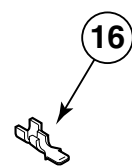
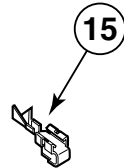
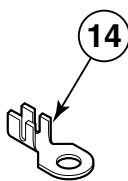
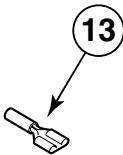
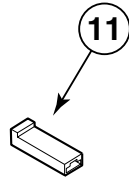
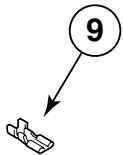
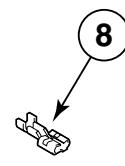
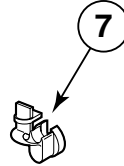
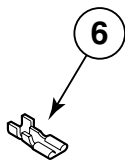
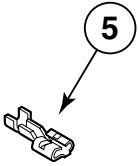
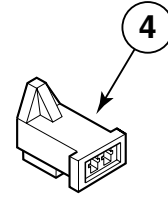
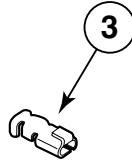
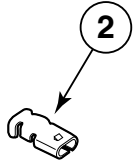
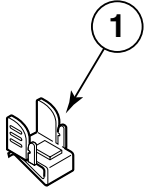


D321PZ3A

Terminal Block and Terminals

REF	PART #	DESCRIPTION	COMMENTS
1	504034	Wire Clip	
2	00237	Insulated 1/4 Inch Spade Terminal	(1) 12 Gauge Wire or (2) 18 Gauge Wires
3	00117	Female Socket Terminal	
4	23039	Terminal Block Receptacle	3 Circuit
5	23040	Terminal Block Plug	3 Circuit
6	00116	Male Pin Terminal	
7	56451	Terminal Block Receptacle	2 Circuit
8	56448	Terminal Block Plug	2 Circuit
9	55881	Wire Tie	
10	59308	Power Cord	Gas Models
11	00130	Female Socket Terminal	
12	56265	Terminal Block Receptacle	2 Circuit
13	56266	Terminal Block Plug	2 Circuit
14	00127	Male Pin Terminal	
15	58800	Terminal Block	3 Circuit Connector

Terminals

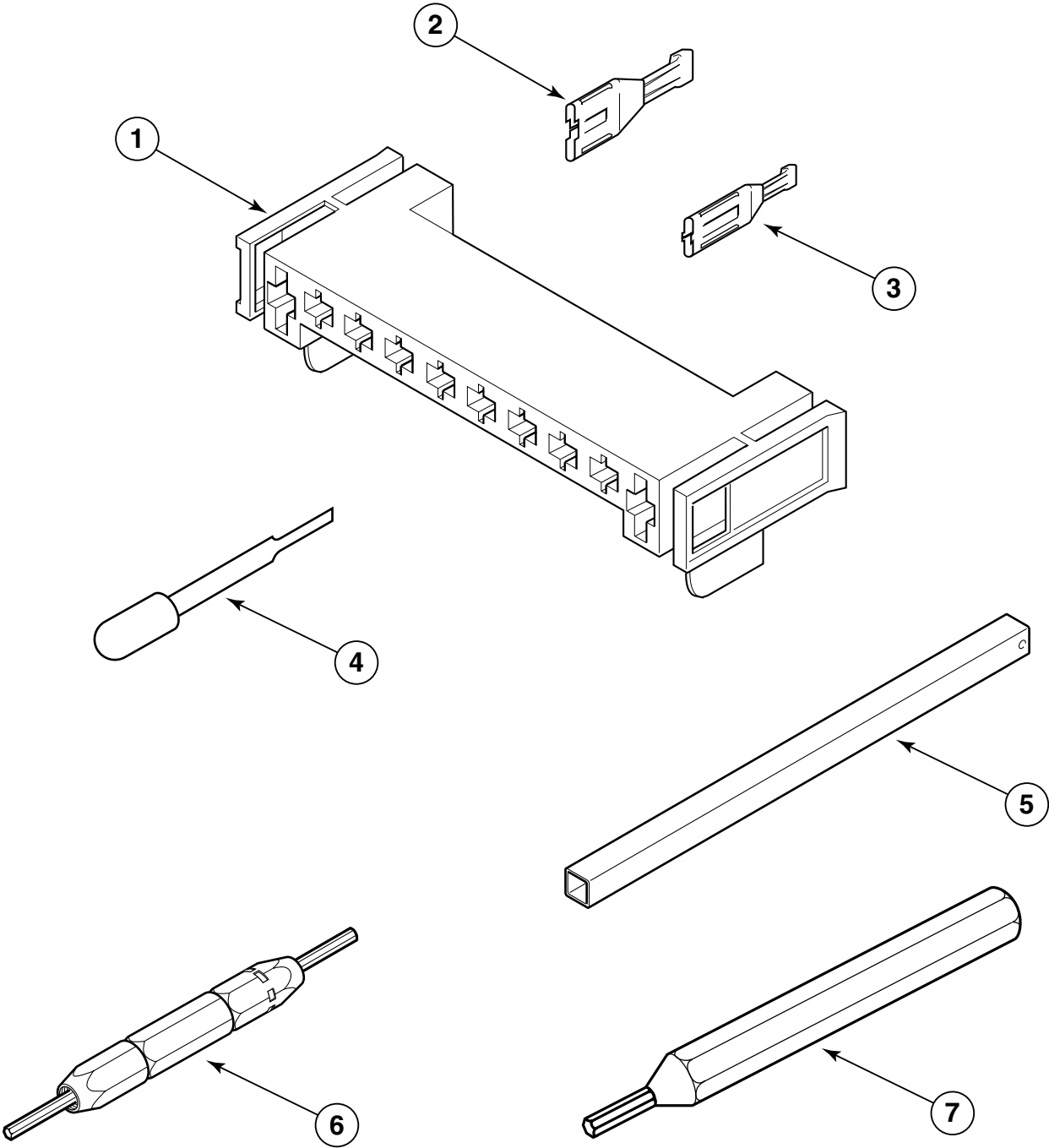


D322PZ3A

Terminals

REF	PART #	DESCRIPTION	COMMENTS
1	00161	Ground Clip	
2	00189	Spade Terminal	
3	00361	Terminal	Receptacle Connector
4	58799	Terminal Block	2 Circuit Connectors
5	00223	Spade Terminal	1/4 Inch – (1) 18 Gauge Wire
	00121	Spade Terminal	1/4 Inch – (2) 18 Gauge Wires or (1) 12 Gauge Wire
	00245	Spade Terminal	1/4 Inch – (1) 22 Gauge Wire
6	00124	Spade Terminal	3/16 Inch – (1) 18 Gauge Wire – .020 Tab
	00156	Spade Terminal	3/16 Inch – Thermostat Wire – .032 Tab
	00209	Spade Terminal	3/16 Inch – (2) 18 Gauge Wires – .020 Tab
7	38384	Strain Relief	
8	00346	Terminal	
9	00347	Terminal	
10	00115	Lock In Spade Terminal	1/4 Inch – (1) 18 Gauge Wire
	00321	Lock In Spade Terminal	1/4 Inch – (2) 18 Gauge Wires or (1) 12 Gauge Wire
11	90789	Receptacle Housing	
12	00234	Insulated Spade Terminal	1/4 Inch
	00165	Insulated Spade Terminal	3/16 Inch
13	00214	Barrel Insulated Spade Terminal	1/4 Inch – 18 Gauge Wire
	00215	Barrel Insulated Spade Terminal	1/4 Inch – 12 Gauge Wire
14	00110	Ring Terminal #10	(1) 18 Gauge Wire
	00111	Ring Terminal #10	(2) 18 Gauge Wires or (1) 12 Gauge Wire
15	00114	Spade Terminal	1/4 Inch – Double Connector
16	00139	Male Tab Terminal	1/4 Inch – (2) 18 Gauge Wires or (1) 12 Gauge Wire
17	00344	Terminal	
18	00345	Terminal	

Motor Connection Block, Terminal Extractor Tools



D319PZ3A

Motor Connection Block, Terminal Extractor Tools

REF	PART #	DESCRIPTION	COMMENTS
1	500338	Motor Connection Block	Molex – 10 Circuit
2	00255	Spade Terminal	1/4 Inch – For (1) 12 Gauge Wire
	00256	Spade Terminal	1/4 Inch – For (1) or (2) 18 Gauge Wires
3	00188	Molex Terminal	For One or Two Wire Applications
4	283P4	Terminal Extractor Tool	For Use on Molex Connectors
5	310P4	Ratchet Extension Tool	1/4 Inch – For Coin Drop Installation
6	190P4	Terminal Extractor Tool	For Use on Electric Dryer Terminals
7	128P4	Terminal Extractor Tool	For Use on Gas Dryer Terminals

Burner Orifice Spuds for Gas Dryers

L.P. Gas Dryers rated at 25,000 BTU

ALTITUDE		ORIFICE SIZE			PART NUMBER
feet	m	number	inches	mm	
3500-7499	1070-2289	54	0.0550	1.40	503785
7500-10,999	2290-2289	55	0.0520	1.32	58755
11,000 and up	3355 and up	56	0.0465	1.18	503786

Natural Gas Dryers rated at 25,000 BTU

ALTITUDE		ORIFICE SIZE			PART NUMBER
feet	m	number	inches	mm	
2000-2999	610-914	41	0.0960	2.44	503776
3000-5499	915-1679	42	0.0935	2.37	510517
5500-6999	1680-2134	43	0.0890	2.26	503778
7000-8999	2135-2744	44	0.0860	2.18	58719
9000-10,499	2745-3199	45	0.0820	2.08	503779
10,500 and up	3200 and up	46	0.0810	2.06	503780

Wire Harnesses and Wires

Individual wires are not available separately. Order complete wire harness, or order wire by the foot. See chart at bottom of page.

MODEL NUMBER	UPPER WIRE HARNESS	LOWER WIRE HARNESS	SECURITY CABINET WIRE HARNESS 1†	SECURITY CABINET WIRE HARNESS 2†
HSE117*A	510412	510414	510662P	510534P
HSE117*C	510412	510414	510662P	510534P
HSG119*A	500827	500828	500961	510534P
HSG119*C	500827	500828	500961	510534P
SSE007*A	510412	504728	500954	-
SSE007*A1500	510412	504728	500954	-
SSE107*A	510412	510414	510662P	510534P
SSE107*A1500	510412	510414	510662P	510534P
SSE117*A	510412	510414	510662P	510534P
SSE117*A1500	510412	510414	510662P	510534P
SSE307*A	510412	510414	510662P	62672
SSE307*A1500	510412	510414	510662P	62672
SSE407*A	510408	510410	501378	39955P
SSE407*A1500	510408	510410	501378	39955P
SSE407*D	510408	510410	501378	39955P
SSE407*D1500	510408	510410	501378	39955P
SSE417*A	510408	510410	501378	39955P
SSE417*D	510408	510410	501378	39955P
SSE507*A	510408	510410	501378	39955P
SSE507*A1500	510408	510410	501378	39955P
SSE517*A	510408	510410	501378	39955P
SSE517*A1500	510408	510410	501378	39955P
SSE607*C	510408	510410	501378	39492
SSE607*C1500	510408	510410	501378	39492
SSE607*D	510408	510410	501378	39492
SSE607*D1500	510408	510410	501378	39492
SSE617*C	510408	510410	501378	39492
SSE617*D	510408	510410	501378	39492

* Add Letter To Designate Color. L – Almond W – White

continued

† Security Cabinet Wire Harness

1: Connects Upper Unit to Center Section (One per Stacked Unit)

2: Connects Timer, Coin Drop or Card Reader to Controls (Two per Stacked Unit)

Order the individual wire color and gauge by the part number listed below. Order wire by the foot and terminals and connectors as required. It is recommended when applying terminals to wires that the terminals be soldered to the wires.

IMPORTANT: Always replace wires with proper gauge.

PART NUMBER	WIRE GAUGE	WIRE COLOR
45001	18 Gauge Wire	Black
45380	12 Gauge Wire	Orange

Wire Harnesses and Wires (continued)

Individual wires are not available separately. Order complete wire harness, or order wire by the foot. See chart at bottom of page.

MODEL NUMBER	UPPER WIRE HARNESS	LOWER WIRE HARNESS	SECURITY CABINET WIRE HARNESS 1†	SECURITY CABINET WIRE HARNESS 2†
SSE707*A	510408	510410	501378	38191
SSE717*A	510408	510410	501378	38191
SSG009*A	510413	504727	500963	–
SSG109*A	510417	500828	500961	510534p
SSG119*A	500827	500828	500961	510534p
SSG309*A	510417	500828	500961	510534p
SSG409*A	510417	510411	501374	510534p
SSG409*D	510417	510411	501374	510534p
SSG419*A	510417	510411	501374	510534p
SSG419*D	510417	510411	501374	510534p
SSG509*A	510417	510411	501374	510534p
SSG519*A	510417	510411	501374	510534p
SSG609*C	510417	510411	501374	39492
SSG609*D	510417	510411	501374	39492
SSG619*C	510417	510411	501374	39492
SSG619*D	510417	510411	501374	39492
SSG709*A	510417	510411	501374	38191
SSG719*A	510417	510411	501374	38191
USE007*A	510417	510411	500954	–
USG009*A	510413	510411	500963	–

* Add Letter To Designate Color. L – Almond W – White

† Security Cabinet Wire Harness

1: Connects Upper Unit to Center Section (One per Stacked Unit)

2: Connects Timer, Coin Drop or Card Reader to Controls (Two per Stacked Unit)

Order the individual wire color and gauge by the part number listed below. Order wire by the foot and terminals and connectors as required. It is recommended when applying terminals to wires that the terminals be soldered to the wires.

IMPORTANT: Always replace wires with proper gauge.

PART NUMBER	WIRE GAUGE	WIRE COLOR
45001	18 Gauge Wire	Black
45380	12 Gauge Wire	Orange

* Security Cabinet Wire Harness

1: Connects Upper Unit to Center Section (One per Stacked Unit)

2: Connects Timer, Coin Drop or Card Reader to Controls (Two per Stacked Unit)

Parts Index

A

Access Panel	
510069*	33
Access Plate	
510903	47, 49
Accumulator Kit	
510628P	25
510630P	27
Adhesive for Cylinder Seal	
22506P	37, 39
Air Duct Assembly	
510151	37

B

Baffle	
503703	37
Barrel Insulated Spade Terminal	
00214	55
00215	55
Base	
510084	17, 35, 43, 45, 47, 49
Belt	
510178	35
Blower and Fan Assembly	
510717P	35
Bolt	
29651	17
Bracket	
38087	19
510146	47
Bumper	
56128	47
Burner Assembly	
510149	45
Burner Orifice Spud	
503776	58
503778	58
503779	58
503780	58
503785	58
503786	58
510517	58
58719	58
58755	58

C

Cabinet	
727P3	45, 49
Cabinet Kit	
727P3*	15, 17, 19, 21, 23, 37, 39, 47, 51
Cabinet Top	
510032*P	47
Caged Nut	
80077	15, 17, 19, 21, 23
Cam	
27261	5, 7, 9, 11, 13

Card Reader	
39685	23
Card Reader Overlay	
38192	23
Coin Funnel Kit	
523P3	17
Coin Slide Guide	
58181	7
Combustion Duct	
510131	43, 45
Control Cabinet	
505753*	5
Control Cabinet Front	
500225*	15
500847*	7, 17
503428*	13, 23
503761*	9, 19
505227*	11, 21
Control Cabinet Wrapper	
5057531*	11, 13
505753*	7, 9, 15, 17, 19, 21, 23
Control Knob Assembly	
39897	5, 7
Control Panel	
500228*	5
501346*	9, 11, 13
Control Panel and Bracket Assembly	
500228*	7
Control Panel Overlay	
502927	5
504590	5, 7
505381	7
Counter Kit	
62113P	7
Cylinder Assembly	
510265P	37
Cylinder Glide	
510187	37
Cylinder Roller	
510708P	39
Cylinder Seal	
510207P	37, 39

D

Door Catch	
510177	33
Door Hinge	
511036	29, 31
Door Pull	
510103*P	29, 31
Door Seal	
510147	29, 31
Door Striker	
510181	29, 31
Door Striker Bracket	
510127	29, 31
Door Switch	
504570	33

E

18 Gauge Wire 45001	59, 60
Electronic Control M414050P	9, 11, 13
Exhaust Duct 510137	47, 49
Exhaust Fan Cover and Housing Kit 510138P	35
Exhaust Fan Impeller 510139	35

F

Fabric Selector Switch 61512	5, 7
Felt Pad 510189	37
Female Socket Terminal 00117	53
00130	53
Front Bulkhead 510266	37
Front Panel 510066P*	33
510066*	15, 17, 19, 21, 23, 29, 31
Front Panel Seal 511056	33

G

Gas Burner Conversion Kit 458P3	45
459P3	45
Gas Valve Assembly 60353	45
Glide Bracket 510145	37
Graphic Overlay 504117	9, 11, 13
Ground Clip 00161	5, 7, 55

H

Heat Shroud 510101	43
Heater Assembly 510329	41
61928	41
Heater Duct Assembly 510025P	39, 41, 43
Hex Nut 52947	5
Hinge 510136	47
Hold-Down Clip 28835	33

Holding and Booster Coil 58804A	45
--	----

I

Idler Lever 510133	35
Idler Pulley 510142	35
Idler Pulley and Lever Assembly 510158	35
Igniter and Bracket Assembly 510184P	45
Indicator Light 32464	5, 7
Inner Door Panel and Seal Assembly 510098W	31
510163W	29
Insulated Spade Terminal 00165	55
00234	55
Insulated 1/4 Inch Spade Terminal 00237	53

K

Knurled Nut 24205	5, 7
----------------------------	------

L

Label 500281	33
500390	33
501286	49
502791	33
502804	33
505281	47
505781	49
511004	47, 49
511005	47
61294	47, 49
Lead-In Pipe Assembly 510204	45
Leveling Leg 510135	47, 49
Limit Thermostat 510701	41
510702	43
Lint Filter 503980	37
Locator 56079	15, 17, 19, 21, 23, 33, 47, 49
Lock Assembly 27260	11
27260P	5, 7, 9, 13
Lock In Spade Terminal 00115	55
00321	55

Locknut	
29786	9
52566	35
56156	35, 39
Lockwasher	
25820	5, 7
91176	5, 7

M

Male Pin Terminal	
00116	53
00127	53
Male Tab Terminal	
00139	55
Molex Terminal	
00188	57
Motor Assembly	
510508P	35
Motor Connection Block	
500338	57
Motor Hub Ring Kit	
590P3	35
Motor Mounting Bracket	
510060	35
Motor Mounting Clamp	
510180	35
Motor Pulley	
500011	35
Motor Switch	
501218P	35
Mounting Bracket	
510128	45

N

Nut	
29796	17
52947	7

O

Outer Door Panel	
510013*	29
510082*	31
Outlet Cover	
500820	41, 43
Overlay	
500814	5

P

Pawl Spring	
53244	25, 27
Power Cord	
59308	51, 53
Push-to-Start Switch Assembly	
55882	5, 7

R

Ratchet Extension Tool	
310P4	57
Ratchet Wheel	
53239	25, 27
Rear Bulkhead	
511082	39
Receptacle Housing	
90789	55
Retainer Ring	
23748	35, 39
Ring Terminal #10	
00110	55
00111	55
Rivet	
504540	37
Roller Bracket	
510100	39

S

Screw	
03203	7
03950	7
20530	5, 7, 11, 13, 51
23222	41, 45
27328	5
31260	35
32671	15, 17, 19, 21, 23, 33, 47, 49
33561	35
33562	49
500226	29, 31, 37
501285	37, 39
501524	9, 11, 13
502431	15, 17, 19, 21, 23, 47
503661	7, 15, 17, 19, 21, 23, 33, 35, 39, 47, 49
503688	15, 17, 19, 21, 23, 37, 39, 41, 43, 45, 47, 49
505295	29, 31
505870	31
51782	43, 45
56124	45
61199	39
62588	37
Seal	
510238	35
Secondary Coil	
58804B	45
Sensor	
510213	45
Shaft	
56461	35, 39
Shield	
510237	39
Shoulder Screw	
500824	35
Shut-off Valve	
510205	45
Single Coin Drop	
38479	9
Slide Extension	
503455	7

Slotted Hex Head Screw	
33562	33
Spade Terminal	
00114	55
00121	55
00124	55
00156	55
00189	55
00209	55
00223	55
00245	55
00255	57
00256	57
Spring	
510185	35
Strain Relief	
38384	51, 55
52113	5, 7, 9, 11, 13
52151	5, 7, 9, 11, 13
Switch	
504570	19
53236	25, 27
61468	27

T

Terminal	
00344	55
00345	55
00346	55
00347	55
00361	55
Terminal Block	
510190P	39
58799	55
58800	53
Terminal Block Plug	
23040	53
56266	53
56448	53
Terminal Block Receptacle	
23039	53
56265	53
56451	53
Terminal Extractor Tool	
128P4	57
190P4	57
283P4	57
Thermal Fuse	
510183	41
Thermistor	
510523	35
Thermostat	
504515	35
Timer	
510524	5
510628P	7
510630P	7
Timer Bracket	
503017	7
Timer Knob Assembly	
54678	5

Timing Cam	
53240	25, 27
53241	25, 27
53242	25
53243	25, 27
Timing Cam Drive	
M400754	25, 27
Timing Motor	
53235P	25, 27
Torx Bit	
282P4	33
Torx Bit Holder	
24161	33
Torx Head Screw	
62853	33
12 Gauge Wire	
45380	59, 60

W

Washer	
501307	15, 17, 19, 21, 23, 47
52549	35, 39
Wedge	
510129	29, 31
Window	
503982	31
Window Trim	
503981*	31
Wire Clip	
504034	53
Wire Harness	
510530	45
Wire Harness, Lower	
500828	59, 60
504727	60
504728	59
510410	59, 60
510411	60
510414	59
Wire Harness, Security Cabinet	
38191	60
39492	59, 60
39955P	59
500954	59, 60
500961	59, 60
500963	60
501374	60
501378	59, 60
510534P	59
510534p	60
510662P	59
62672	59
Wire Harness, Upper	
500827	59, 60
510408	59, 60
510412	59
510413	60
510417	60
Wire Tie	
55881	53