



# **AD-24 II Parts Manual**

## **24 VAC Phase 5**

### **as of July 17, 2000**

---

American Dryer Corporation  
88 Currant Road  
Fall River, MA 02720-4781  
Telephone: (508) 678-9000 / Fax: (508) 678-9447  
E-mail: [techsupport@amdry.com](mailto:techsupport@amdry.com)  
[www.amdry.com](http://www.amdry.com)

# Retain This Manual In A Safe Place For Future Reference

American Dryer Corporation products embody advanced concepts in engineering, design, and safety. If this product is properly maintained, it will provide many years of safe, efficient, and trouble free operation.

*ONLY qualified technicians should service this equipment.*

**OBSERVE ALL SAFETY PRECAUTIONS** displayed on the equipment or specified in the installation manual included with the dryer.

The following “**FOR YOUR SAFETY**” caution **must be** posted near the dryer in a prominent location.

**FOR YOUR SAFETY**

Do not store or use gasoline or other flammable vapors and liquids in the vicinity of this or any other appliance.

**POUR VOTRE SÉCURITÉ**

Ne pas entreposer ni utiliser d'essence ni d'autres vapeurs ou liquides inflammables à proximité de cet appareil ou de tout autre appareil.

We have tried to make this manual as complete as possible and hope you will find it useful. **ADC** reserves the right to make changes from time to time, without notice or obligation, in prices, specifications, colors, and material, and to change or discontinue models.

## Important

For your convenience, log the following information:

**DATE OF PURCHASE** \_\_\_\_\_ **MODEL NO.** AD-24 II

**RESELLER'S NAME** \_\_\_\_\_

**Serial Number(s)** \_\_\_\_\_

\_\_\_\_\_

\_\_\_\_\_

Replacement parts can be obtained from your reseller or the **ADC** factory. When ordering replacement parts from the factory, you can FAX your order to **ADC** at (508) 678-9447 or telephone your order directly to the **ADC** Parts Department at (508) 678-9000. Please specify the dryer **model number** and **serial number** in addition to the **description** and **part number**, so that your order is processed accurately and promptly.

The illustrations on the following pages may not depict your particular dryer exactly. The illustrations are a composite of the various dryer models. Be sure to check the descriptions of the parts thoroughly before ordering.

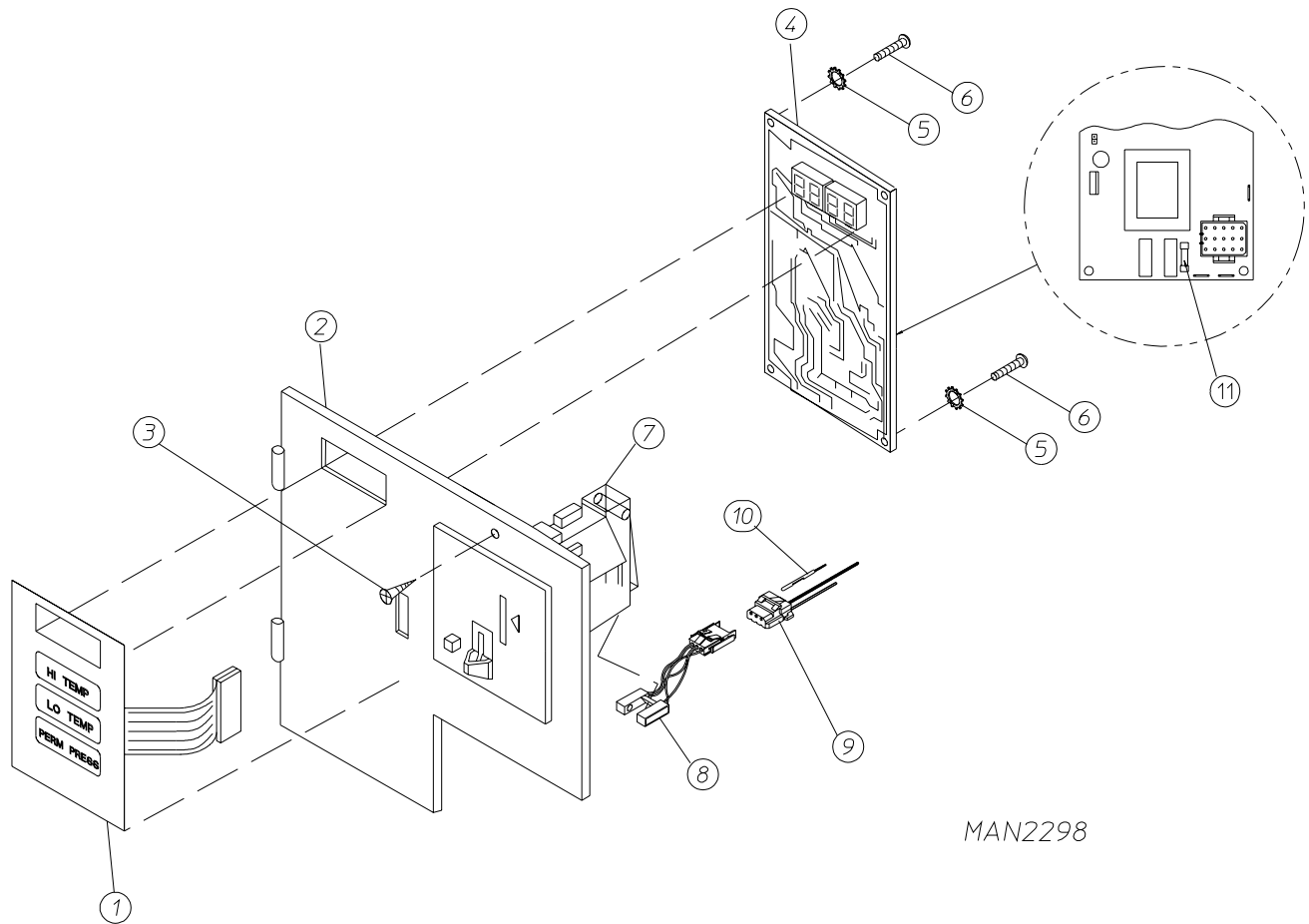
**“IMPORTANT NOTE TO PURCHASER”**

Information **must be** obtained from your local gas supplier on the instructions to be followed if the user smells gas. These instructions **must be** posted in a prominent location near the dryer.

# ***Table of Contents***

Phase 5 Coin Microprocessor Control Panel Assembly .....	3
Phase 5 OPL Microprocessor Control Panel Assembly .....	4
Phase 5 Microprocessor Control Box Assembly	
For Coin and OPL Models .....	5
Microprocessor Coin Vault Assembly .....	6
Main Door “Steel” Assembly .....	7
Slide Meter Case Assembly .....	8, 9
Cold Rolled Steel (CRS) Front Panel Assembly .....	10
Main Door Switch Assembly (Cold Rolled Steel [CRS] Type Door) .....	11
Basket (Tumbler)/Support Assemblies .....	12
Lint Door Assembly .....	13
Sensor Bracket Assemblies .....	14, 15
Control Door (25¢ Coin Models)	
For Models Mfd. as of March 17, 2001 .....	16
Control Door (25¢ Coin Models)	
For Models Mfd. between January 24, 2001 and March 16, 2001 .....	17
Control Door (Slide Meter Models)	
For Models Mfd. as of March 17, 2001 .....	18
Control Door (Slide Meter Models)	
For Models Mfd. between January 24, 2001 and March 16, 2001 .....	19
Control Door (OPL and Non 25¢ Coin Models)	
For Models Mfd. as of March 17, 2001 .....	20
Control Door (OPL and Non 25¢ Coin Models)	
For Models Mfd. between January 24, 2001 and March 16, 2001 .....	21
Control Door Assembly	
For Models Mfd. prior to January 24, 2001 .....	22

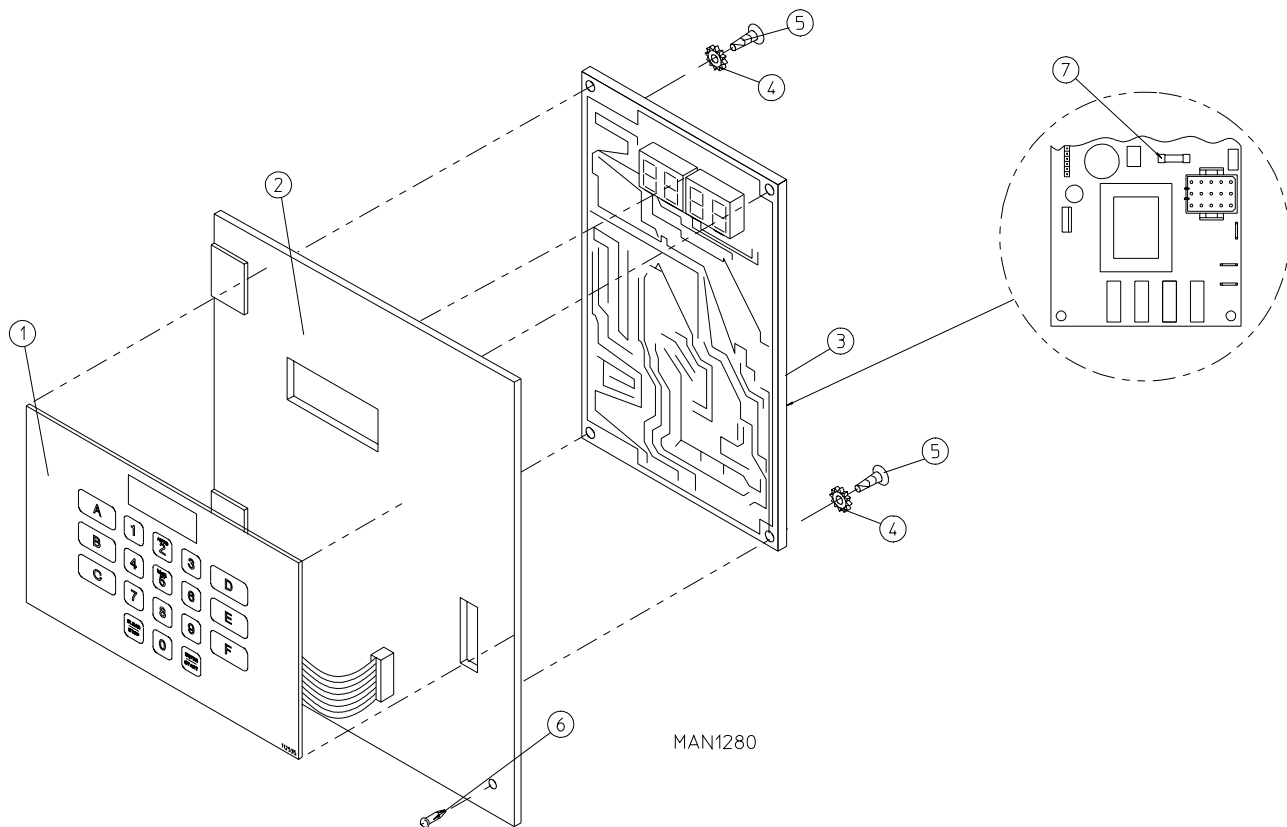
Basket (Tumbler) Bearing Assembly	
For Models Mfd. as of April 27, 2001 .....	23
Basket (Tumbler) Bearing Assembly	
For Models Mfd. prior to April 27, 2001 .....	24, 25
Lint Trap Assembly .....	26
Idler Bearing Assembly .....	27
Electric Oven Assembly .....	28, 29
Totally Enclosed, Fan-Cooled (T.E.F.C.) Motor Mount Assembly .....	30
Gas Burner Assembly .....	31
Sail Switch/Hi-Limit Assemblies .....	32
Single-Phase (1Ø) Motor, Electric Relay Panel Assembly .....	33
Slide Meter Control Box Assembly .....	34
Outer Top/Back Guard Assemblies .....	35
Electric Oven Component Application Chart .....	36
Additional Parts Available .....	37



MAN2298

<u>Illus. No.</u>	<u>Part No.</u>	<u>Qty.</u>	<u>Description</u>
1	112526	1	Coin Keyboard Label Assembly
2	880959	1	Phase 5 Coin Microprocessor Control Panel Assembly (includes illus. nos. 1, 2, 4, 5, 6, and 11)
	880958	1	Coin Control Panel ONLY
3	150309	1	#10-16 x 1/2" Hex Head TEK Crimptite Screw
4	137213	1	Phase 5 Coin Controller
	824998	1	Phase 5 Battery Clip
5	153010	2	#6 Star Washer
6	150005	2	#6-32 x 1/4" Phillips Round Head Machine Screw
7	881163	1	Microprocessor Coin Acceptor with Optical Switch
8	881143	1	Optical Switch
9	137023	1	Optical Switch Connector
10	137021	3	Microprocessor Socket
---	880772	1	Single Coin Optic Switch Harness
---	824080	1	Dual Coin Optic Switch Harness
---	122800	1	Microprocessor (female) Pin Extraction Tool
11	136048	1	1/8-Amp (Slo-Blo) Fuse

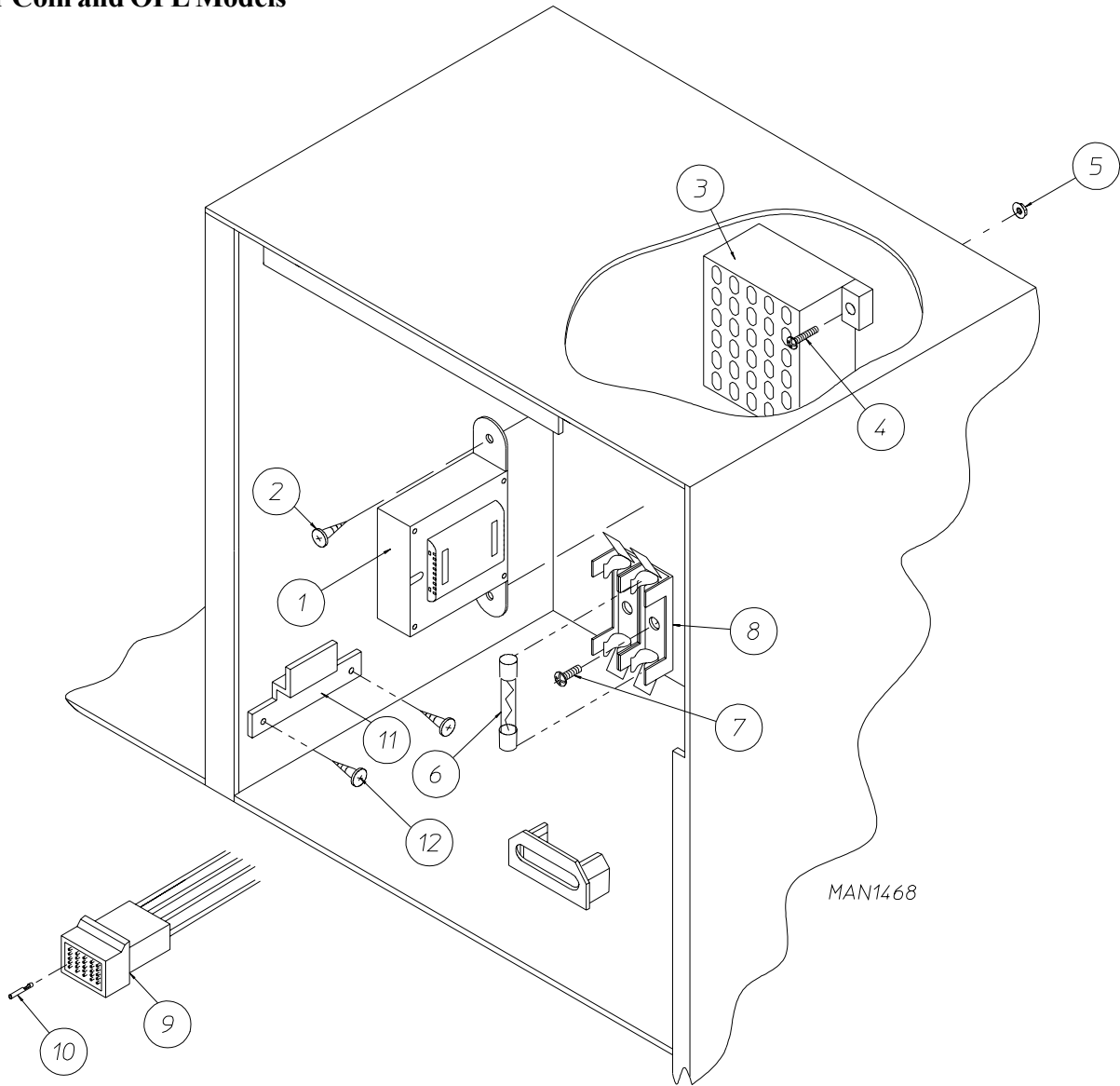
**IMPORTANT:** Check label on computer chip to verify correct part number for microprocessor controller (computer).



<u>Illus. No.</u>	<u>Part No.</u>	<u>Qty.</u>	<u>Description</u>
1	112535	1	OPL English Keyboard Label Assembly
	112276	1	OPL Stick-On Labels (English Only) ... Not Illustrated
	112275	1	OPL Stick-On Labels (Spanish, Italian, and Hebrew) ... Not Illustrated
	112277	1	3-Language OPL Stick-On Labels (English, Spanish, and Hebrew) ... Not Illustrated
	112278	1	5-Language OPL Stick-On Labels (Italian, Dutch, French, German, and Chinese) ... Not Illustrated
2	801225	1	Phase 5 Microprocessor Control Panel ONLY
	824443	1	Phase 5 OPL Non-Reversing Microprocessor Control Panel Assembly Complete (includes illus. nos. 1 through 7)
3	137222	1	Phase 5 OPL Non-Reversing Controller
	824998	1	Phase 5 Battery Clip
4	153010	2	#6 Star Washer
5	150005	2	#6-32 x 1/4" Phillips Round Head Machine Screw
6	150309	1	#10-16 x 1/2" Hex Head TEK Crimptite Screw
	882541	1	Spring Turn Latch Assembly
7	136048	1	1/8-Amp (Slo-Blo) Fuse

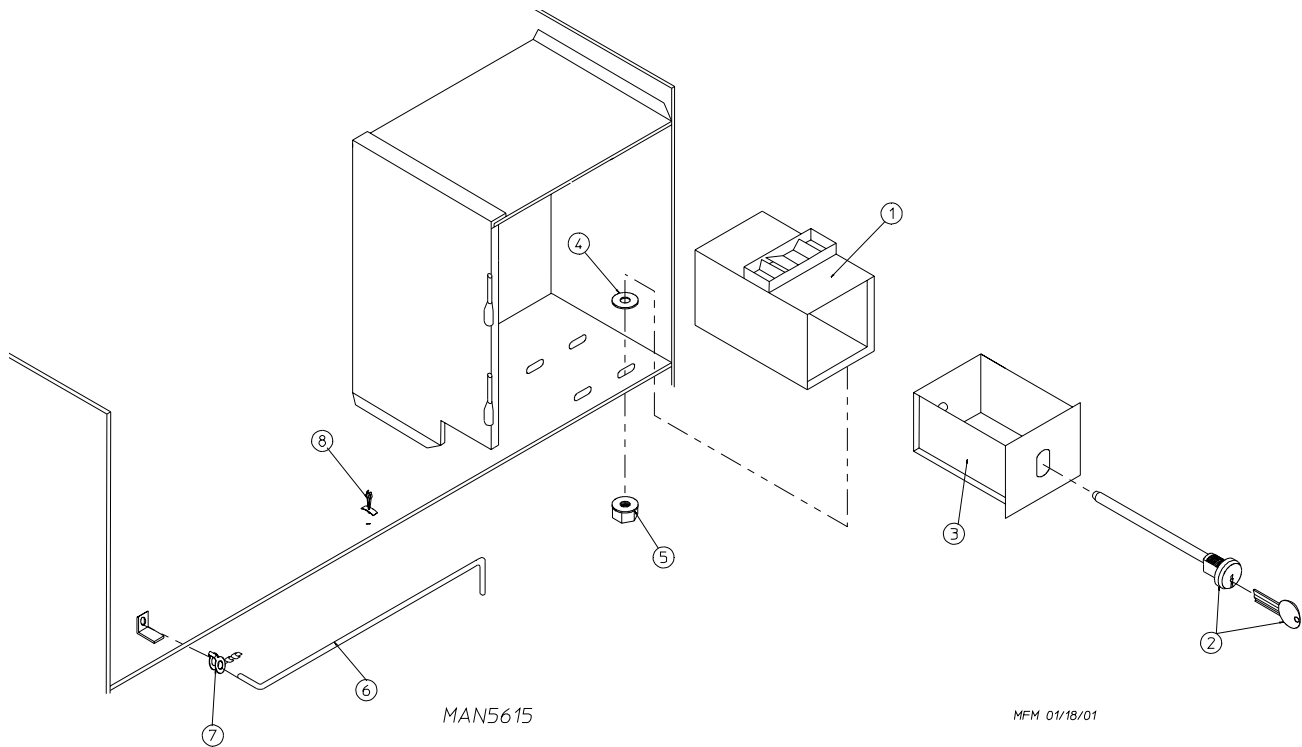
**IMPORTANT:** Check label on computer chip to verify correct part number for microprocessor controller (computer).

For Coin and OPL Models



<u>Illus. No.</u>	<u>Part No.</u>	<u>Qty.</u>	<u>Description</u>
1	141403	1	24 VAC Transformer
2	150301	2	#8-18 x 7/16" Phillips Pan Head TEK Screw
3	120715	1	30-Position Terminal Block
4	150002	2	#6-32 x 1" Round Head Machine Screw
5	151000	2	#6-32 Pal Nut
6	136057	*	1/2-Amp (Slo-Blo) Fuse ONLY
7	150301	*	#8-18 x 7/16" Phillips Pan Head TEK Screw
8	136008	*	Fuse Block/Strip
9	122641	1	15-Pin Microprocessor Connector
10	122706	*	Socket Terminal
11	305542	1	Battery Bracket
12	150301	2	#8-18 x 7/16" Phillips Pan Head TEK Screw

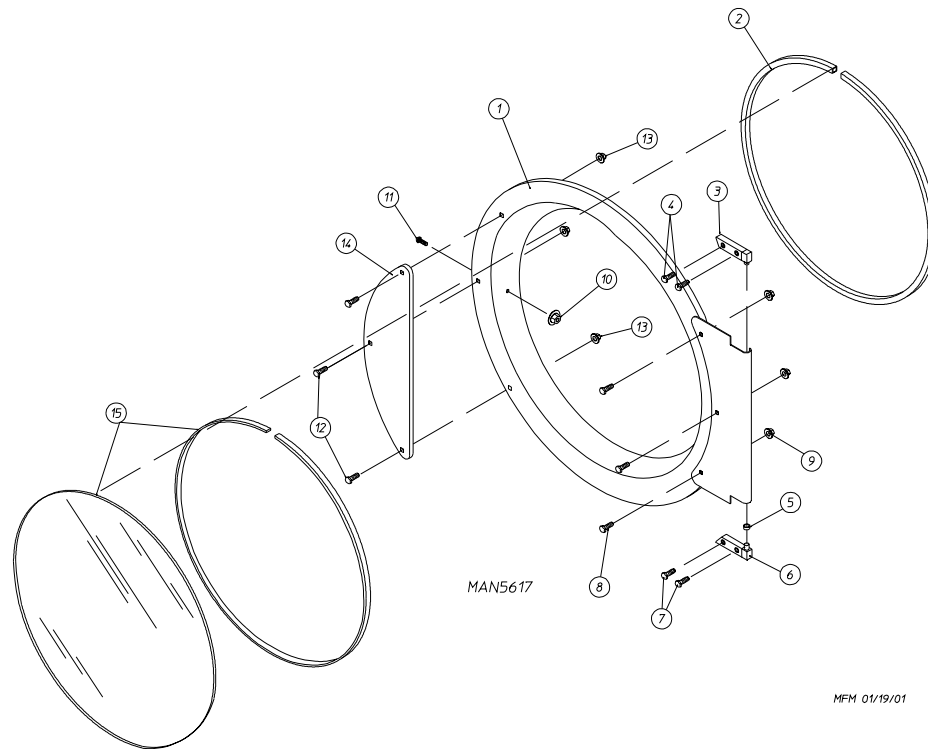
\* As required.



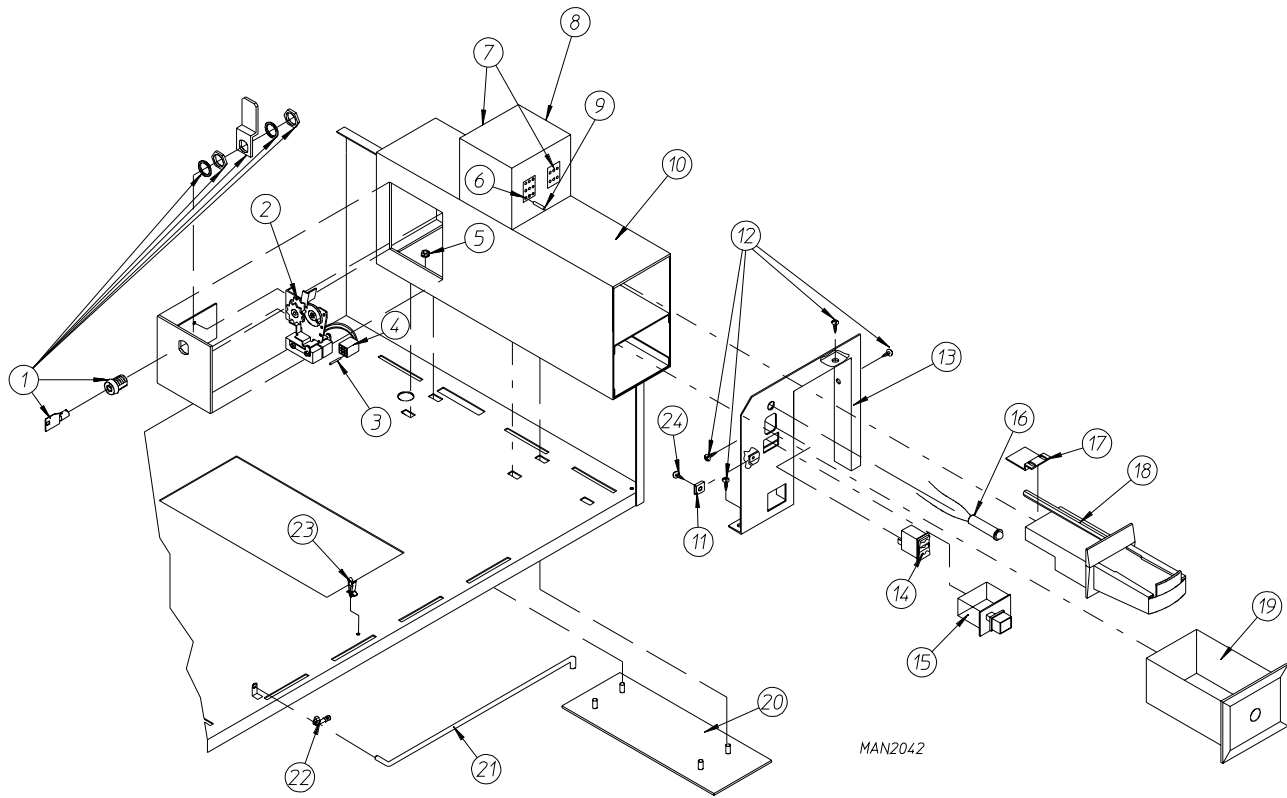
<u>Illus. No.</u>	<u>Part No.</u>	<u>Qty.</u>	<u>Description</u>
1	802146	1	Security Coin Vault Assembly Complete (includes illus. nos. 1 through 3)
	802139	1	High Security Coin Vault ONLY
2	160027	1	High Security Lock with Key (each keyed different)
	160127*	1	Key ONLY For High Security Lock
	160022	1	High Security Screw Lock with Key
	160113*	1	Key ONLY For High Security Screw Lock
3	802138	1	High Security Coin Box Assembly with Lock (includes illus. nos. 2 and 3)
	802147	1	High Security Coin Box ONLY
4	153050	4	1/2" S.A.E. Flat Washer
5	152014	4	1/4-20 Free Spin Wash Nut
6	102502	1	Control Door Support Rod
7	102601	1	Control Door Rod Retainer Clip
8	102603	1	Control Door Support Rod Catch

\* Specify key number when ordering.



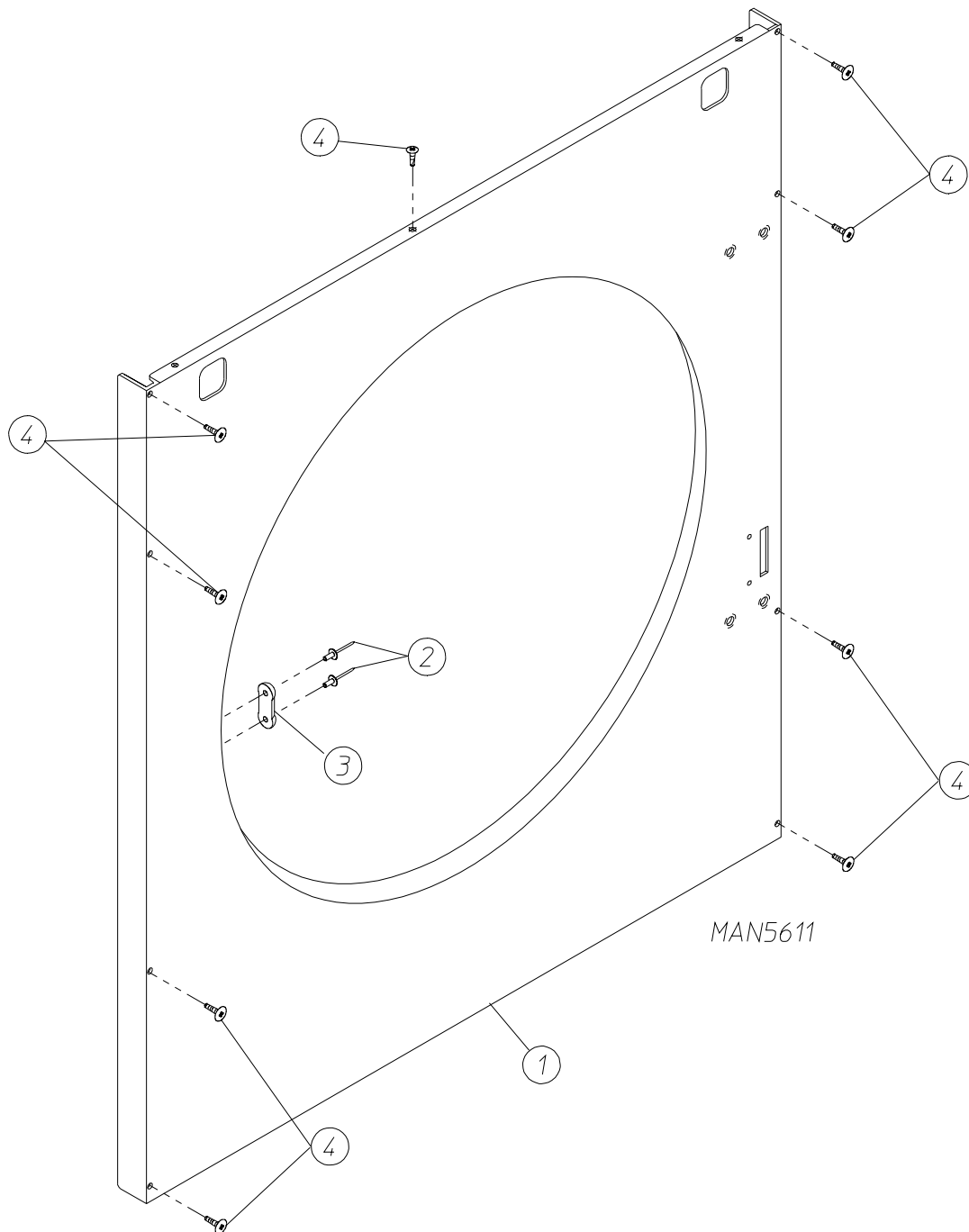


<u>Illus. No.</u>	<u>Part No.</u>	<u>Qty.</u>	<u>Description</u>
1	881150	1	Black Main Door Assembly Complete (includes illus. nos. 1, 2, and 8 through 15)
2	102354	1	Door Gasket
	170730	1	Clear Glass Adhesive (10.3 oz. cartridge)
	170731	1	Black Glass Adhesive (10.3 oz. cartridge)
3	881152	1	Black Top Hinge Block Assembly (includes illus. nos. 3 and 4)
4	150445	2	1/4-20 x 3/4" Black Cap Head Setscrew
5	153031	1	1/4" Nylon Washer
6	881151	1	Black Bottom Hinge Block Assembly (includes illus. nos. 5 through 7)
7	150445	2	1/4-20 x 3/4" Black Cap Head Setscrew
	150443	2	1/4-20 x 3/4" Stainless Steel Cap Head Setscrew
8	150683	3	1/4-20 x 5/8" Black Carriage Bolt
9	152014	3	1/4-20 Free Spin Wash Nut
10	151010	1	#10-32 Black Hex Acorn Nut
11	150120	1	Door Latch Screw
12	150683	3	1/4-20 x 5/8" Black Carriage Bolt
13	152014	3	1/4-20 Free Spin Wash Nut
14	881210	1	Black Main Door Handle ONLY
	170333	1	Stainless Steel Main Door Handle ONLY
15	102211	1	20-7/16" Door Glass
	102360	1	Glass/Door Gasket Tape (for models mfd. as of February 9, 2001)
	170731	1	Black Glass Adhesive (10.3 oz. cartridge) (for models mfd. prior to February 9, 2001)



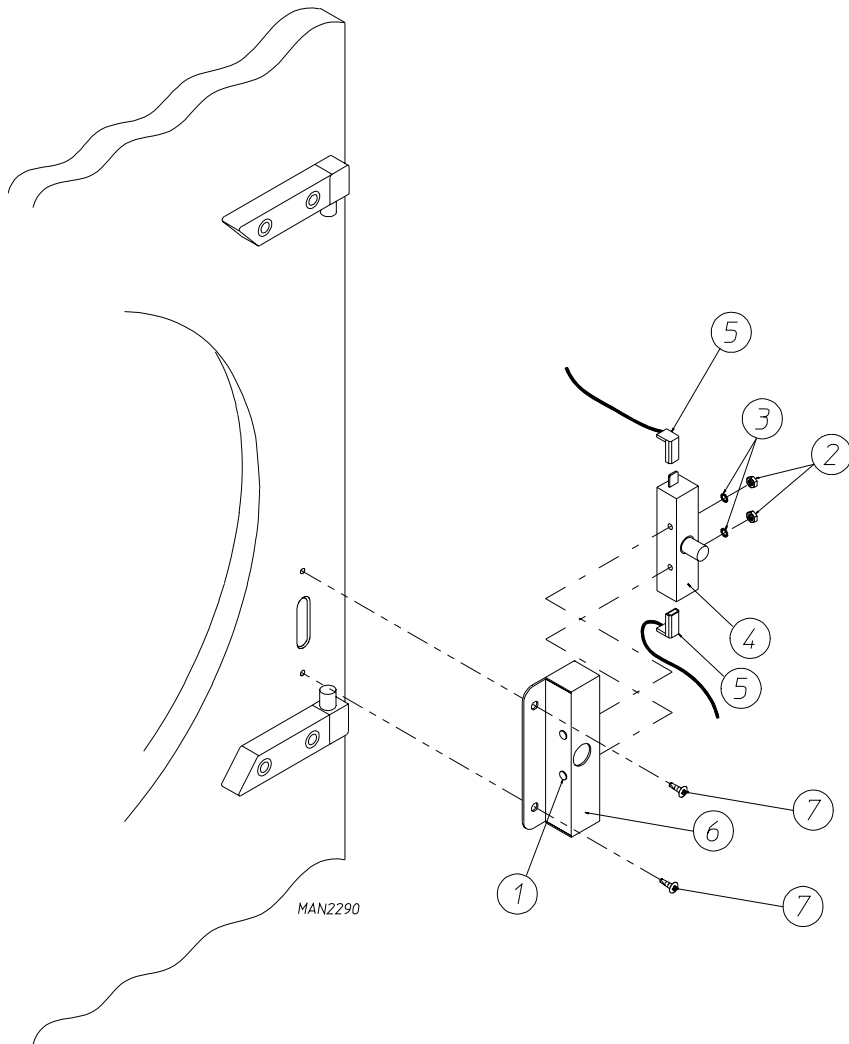
<u>Illus. No.</u>	<u>Part No.</u>	<u>Qty.</u>	<u>Description</u>
1	160099	1	Lock/Key/Cam and Hardware
	160199*	1	Key ONLY for Slide Meter Lock
2	125908	1	Slide Meter Accumulator - 24 VAC - 60 RPM (60 Hz Only)
3	122643	9	Mate-N-Lock Pin ONLY
4	122642	1	9-Position Mini-Universal Socket
5	152014	4	1/4-20 Free Spin Wash Nut
6	122603	1	9-Position Connector (Mate-N-Lock)
7	122631	2	6-Position Connector (Mate-N-Lock)
8	881100	1	Slide Meter Modular J-Box Assembly
9	122701	21	Socket Terminal ONLY
10	125900	1	Slide Meter Case with Door Less Lock
11	154001	2	#10-24 Speed Nut
12	150300	4	#10-16 x 1/2" Hex Washer TEK Screw
13	881015	1	Slide Meter Control Panel (faceplate) Complete (includes illus. nos. 11 and 13 through 16)
	880937	1	Slide Meter Control Panel (faceplate) ONLY
14	122400	1	Rocker Heat Selector Switch
15	131917	1	Push-to-Start Relay - 24 VAC
16	123005	1	Red Light Indicator - 24 VAC
17	125903	1	Slide Meter Extension
18	-----	1	Typical Slide Meter Coin Chute (not available from <b>ADC</b> )
19	-----	1	Typical Slide Meter Coin Box (not available from <b>ADC</b> )
20	801701	1	Slide Meter Case Mounting Plate
21	102502	1	Control Door Support Rod
22	102601	1	Control Door Rod Retainer Clip
23	102603	1	Control Door Support Rod Catch
24	150207	2	#10-24 x 1/2" Round Head Machine Screw

\* Specify key number when ordering.

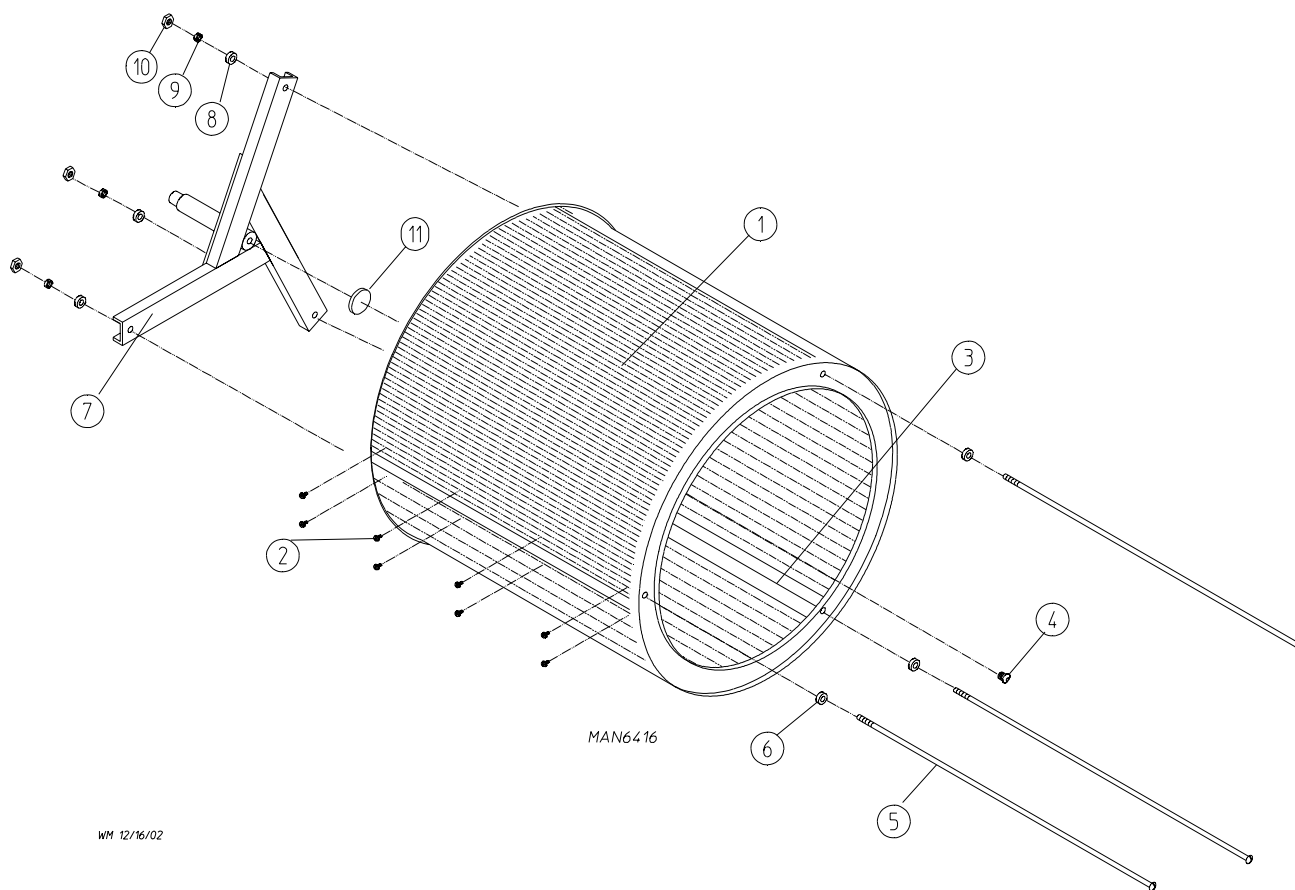


<u>Illus. No.</u>	<u>Part No.</u>	<u>Qty.</u>	<u>Description</u>
1	802511*	1	Front Panel Assembly (cold rolled steel [CRS] door)
2	154215	2	1/8" Pop Rivets
3	170330	1	Friction Door Latch
4	150309	9	#10-16 x 1/2" Hex Head TEK Crimptite Screw
	150313	9	TORX Head Screw (for models mfd. as of October 2, 2000)
	150318	-	Torx Plus Bit (for removal of Torx Screw)

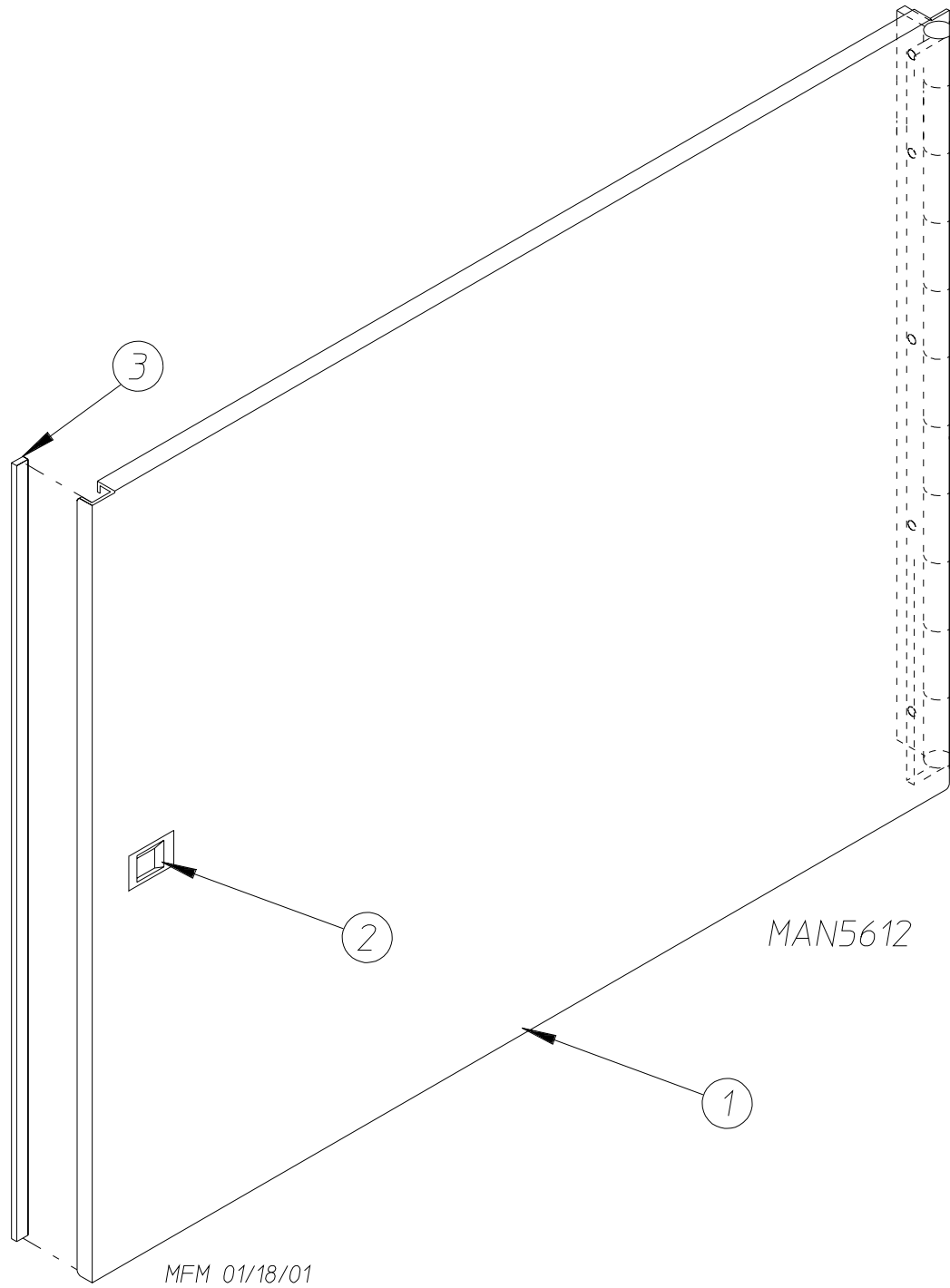
\* Specify color when ordering.



<u>Illus. No.</u>	<u>Part No.</u>	<u>Qty.</u>	<u>Description</u>
1	150006	2	#6-32 x 7/8" Phillips Pan Head Machine Screw
2	152013	2	#6-32 Hex Nut
3	153010	2	#6 Star Washer
4	137005	1	Door Switch ONLY
5	122636	2	Flag Terminal
6	881211	1	Black Main Door Switch Housing ONLY
	881212	1	Beige Main Door Switch Housing ONLY
	881213	1	White Main Door Switch Housing ONLY
	881214	1	Blue Main Door Switch Housing ONLY
	881153	1	Black Main Door Switch Housing Complete (includes illus. nos. 1 through 4 and 6)
	881215	1	Beige Main Door Switch Housing Complete (includes illus. nos. 1 through 4 and 6)
	881216	1	White Main Door Switch Housing Complete (includes illus. nos. 1 through 4 and 6)
	881217	1	Blue Main Door Switch Housing Complete (includes illus. nos. 1 through 4 and 6)
7	150301	2	#8-18 x 7/16" Phillips Pan Head TEK Screw



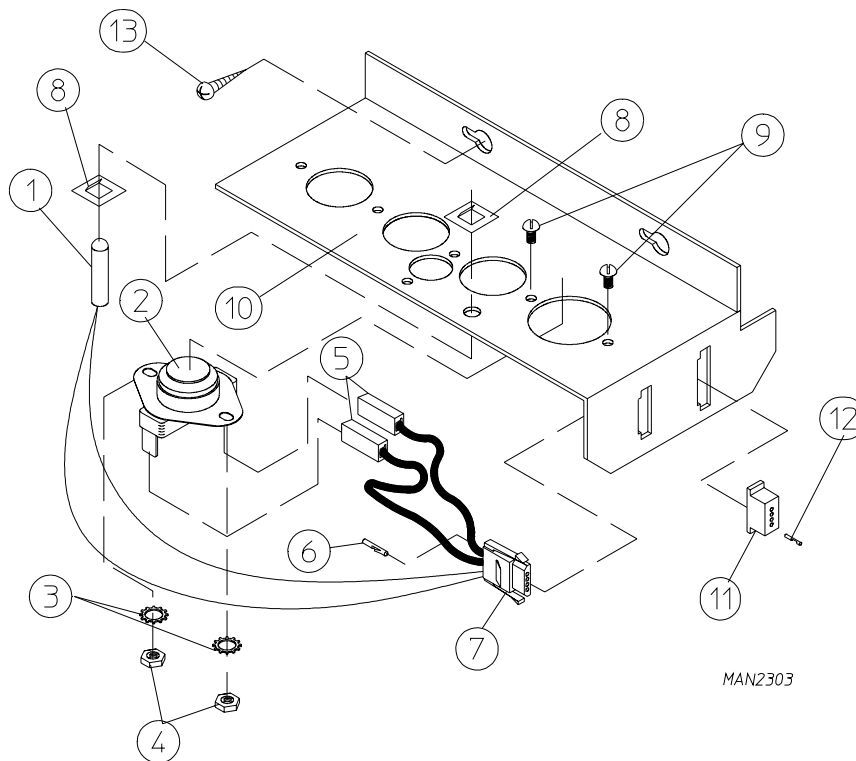
<u>Illus. No.</u>	<u>Part No.</u>	<u>Qty.</u>	<u>Description</u>
1	800843	1	Basket (tumbler) and Support Assembly Complete (includes illus. nos. 1 through 10)
	800717	1	Basket (tumbler) ONLY
2	154210	30	5/32" x 3/16" Pop Rivet (for models mfd. as of December 12, 2000)
	150309	30	#10-16 x 1/2" Hex Head TEK Crimptite Screw (for models mfd. prior to December 12, 2000)
3	301318	2	Tapered Rib ONLY (low rib)
	301317	1	Tapered Rib ONLY (high rib)
4	150518	1	5/16-18 x 3/8" Socket Screw
5	100916	3	3/8-16 x 25" Hex Head Tie Rod
6	153003	3	3/8" x 1-1/2" Fender Washer
7	800612	1	Basket (tumbler) Support ONLY
8	153001	3	5/16" Flat Washer
9	153002	3	5/16" Lock Washer
10	152004	3	5/16-18 Hex Nut
11	115986	1	Basket (tumbler) Felt Pad



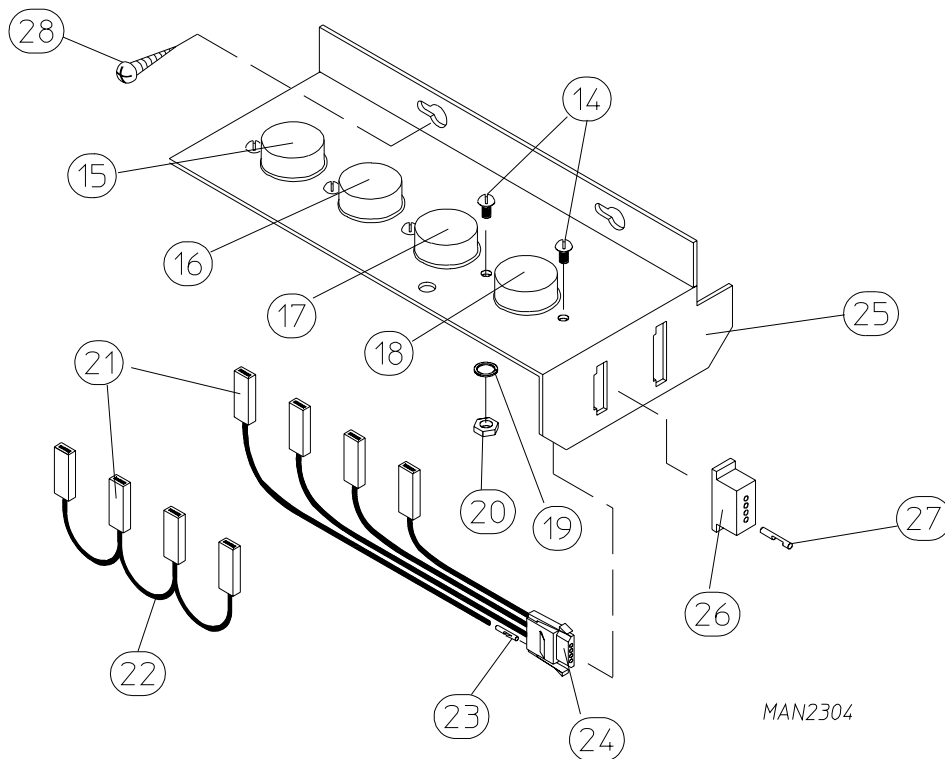
<u>Illus. No.</u>	<u>Part No.</u>	<u>Qty.</u>	<u>Description</u>
1	882981*	1	Right Hand Hinge Lint Door Assembly with Slide Latch
2	170226	1	Slide Latch Flush Style (black)
3	117604	2	1/8" x 3/8" Neoprene Sponge Tape

\* Specify color when ordering.

## Microprocessor Sensor Bracket Assembly



## Noncomputer Sensor Bracket Assembly





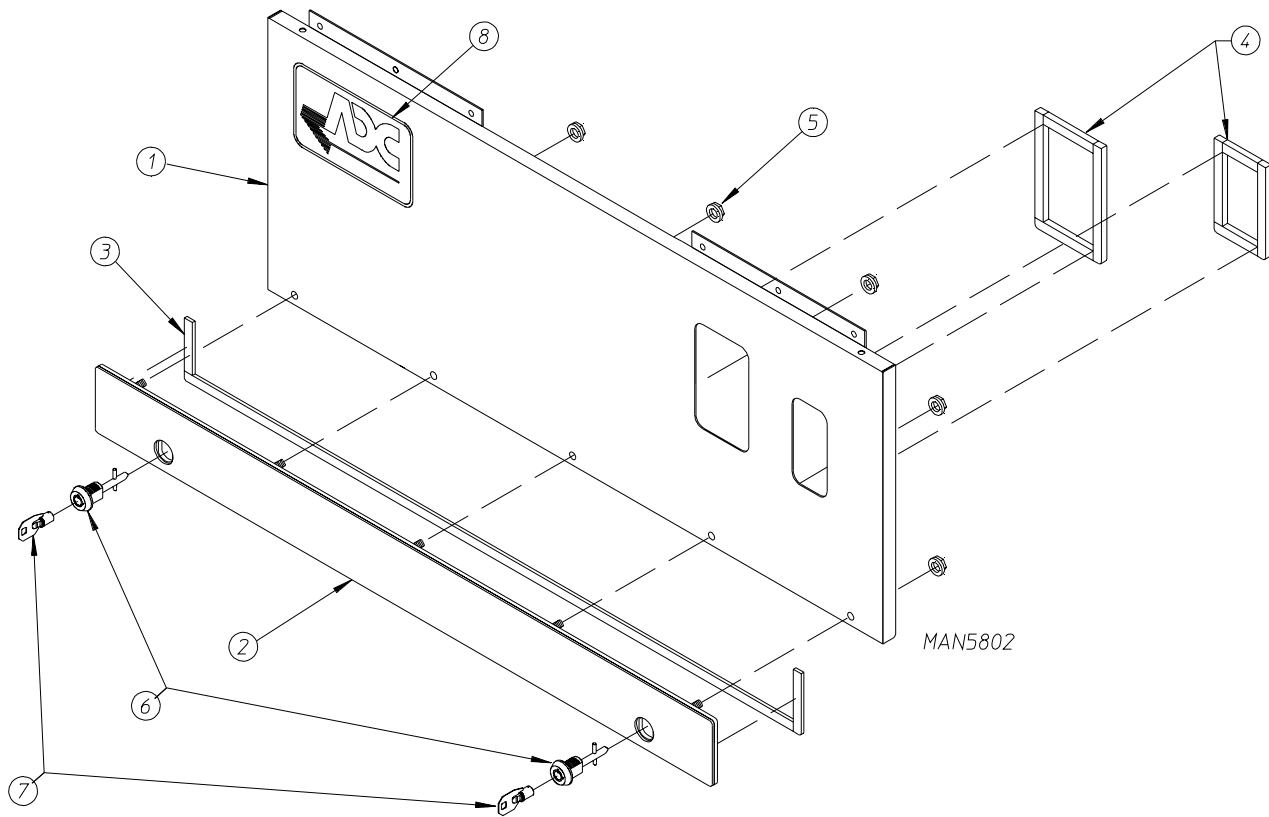
<u>Illus. No.</u>	<u>Part No.</u>	<u>Qty.</u>	<u>Description</u>
1	880251	1	1/4" Temperature Sensor Probe Assembly (includes illus. nos. 1 and 5 through 8)
2	130103	1	225° Large Automatic Reset Thermostat
3	153010	2	#6 Star Washer
4	152000	2	#6-32 Hex Nut
5	121028	2	Insulated Terminal
6	122701	4	Socket Terminal
7	122605	1	4-Pin Socket Connector
8	154007	2	1/4" Tinnerman Push On Fastener
9	150005	2	#6-32 x 1/4" Phillips Round Head Machine Screw
10	801425	1	Microprocessor Sensor Bracket Assembly Complete (includes illus. nos. 1 through 10)
11	122604	1	4-Pin Connector ONLY
12	122700	4	Pin Terminal ONLY
13	150301	2	#8-18 x 7/16" Phillips Pan Head TEK Screw
14	150005	*	#6-32 x 1/4" Phillips Round Head Machine Screw
15	130103	1	225° Large Automatic Reset Thermostat
16	130111	1	150° Large Thermostat
17	130100	1	130° Large Thermostat
18	130101	1	180° Large Thermostat
19	153010	*	#6 Star Washer
20	152000	*	#6-32 Hex Nut
21	121028	**	Insulated Terminal
22	840065	1	Sensor Jumper (4)
23	122701	***	Socket Terminal
24	122605	1	4-Pin Socket Connector ONLY
	840062	1	Sensor (4) Bracket Harness Assembly (includes illus. nos. 21, 23, and 24)
25	801418	1	Noncomputer Sensor (4) Bracket Harness Assembly Complete (includes thermostats) (includes illus. nos. 14 through 27)
26	122604	1	4-Pin Connector ONLY
27	122700	***	Pin Terminal ONLY
	122801	1	Pin/Socket Extraction Tool
28	150301	2	#8-18 x 7/16" Phillips Pan Head TEK Screw

\* Qty. = 4 or 5.

\*\* Qty. = 6 or 8.

\*\*\* Qty. = 3 or 4.

For Models Mfd. as of March 17, 2001



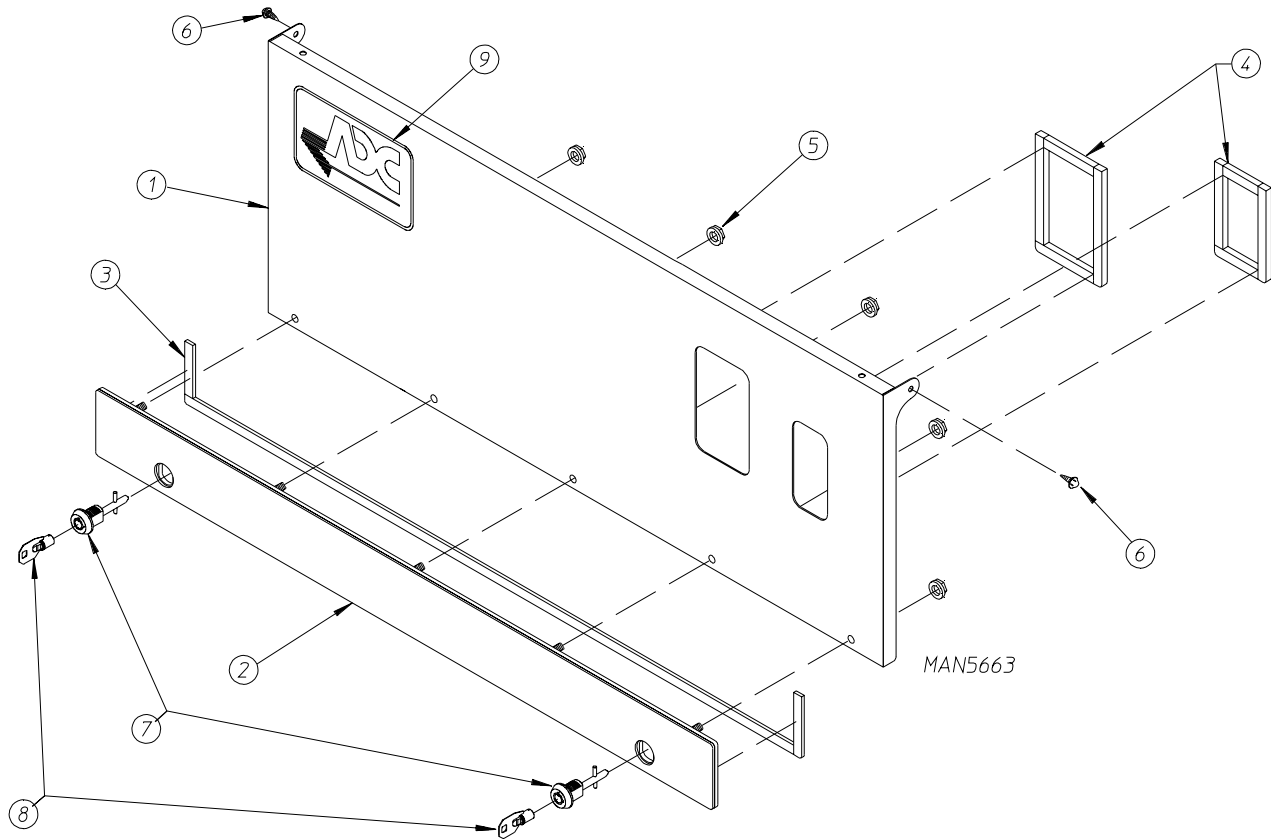
MFM 05/21/01

<u>Illus. No.</u>	<u>Part No.</u>	<u>Qty.</u>	<u>Description</u>
1	883001**	1	Coin Control Door without Locks (includes illus. nos. 1 through 4)
2	802514	1	Control Door Trim (cold rolled steel [CRS])
3	117604	3	1/8" x 3/8" Neoprene Sponge Tape
4	117605	2	1/4" x 3/8" Neoprene Sponge Tape
5	152014	5	1/4-20 Free Spin Wash Nut
6	160040	2	XX4451 Lock
7	160140	*	XX4451 Key
8	881053	1	<b>ADC</b> Logo with Adhesive Tape

\* As required.

\*\* Specify color when ordering.

For Models Mfd. between January 24, 2001 and March 16, 2001



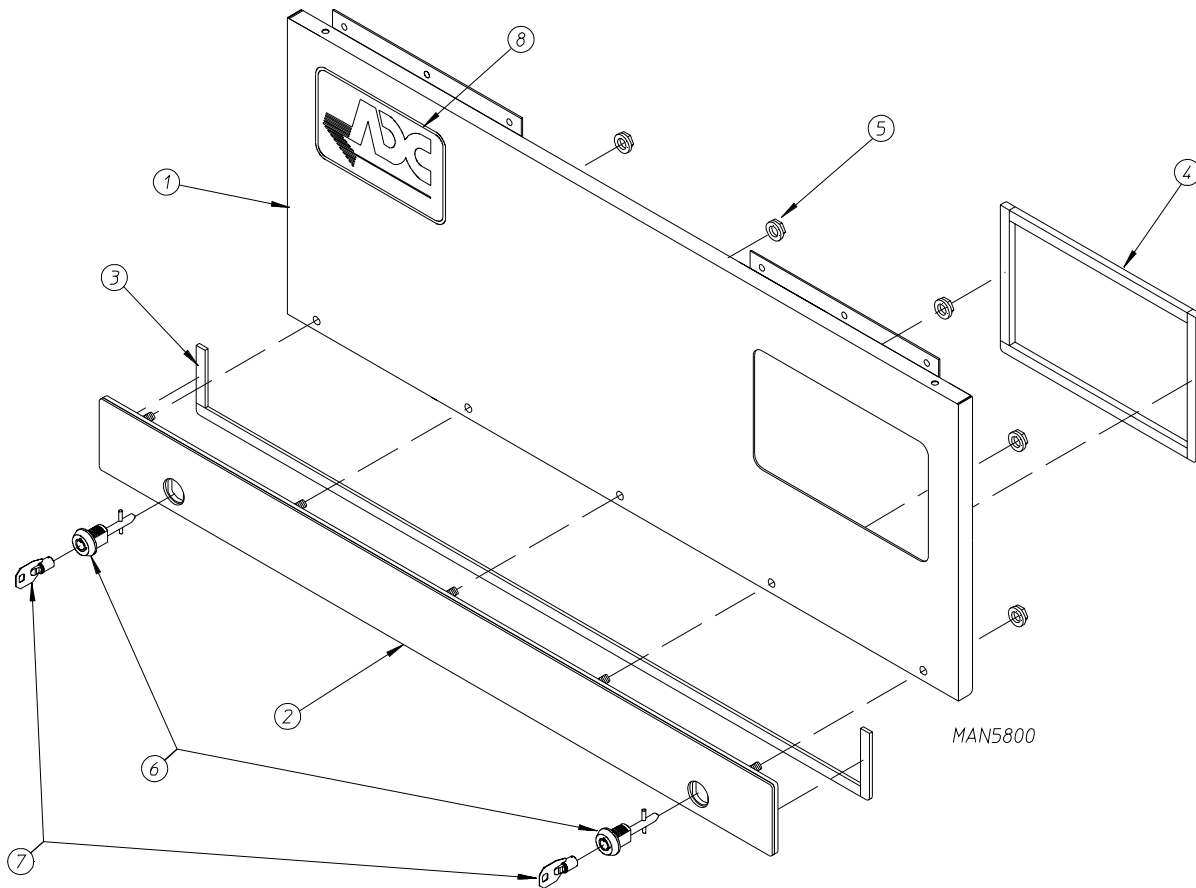
MFM 03/06/01

Illus. No.	Part No.	Qty.	Description
1	883001**	1	Coin Control Door without Locks (includes illus. nos. 1 through 4)
2	802514	1	Control Door Trim (cold rolled steel [CRS])
3	117604	3	1/8" x 3/8" Neoprene Sponge Tape
4	117605	2	1/4" x 3/8" Neoprene Sponge Tape
5	152014	5	1/4-20 Free Spin Wash Nut
6	150420	2	#10-16 x 5/8" TEK Tamperproof Screw
7	160040	2	XX4451 Lock
8	160140	*	XX4451 Key
9	881053	1	<b>ADC</b> Logo with Adhesive Tape

\* As required.

\*\* Specify color when ordering.

For Models Mfd. as of March 17, 2001



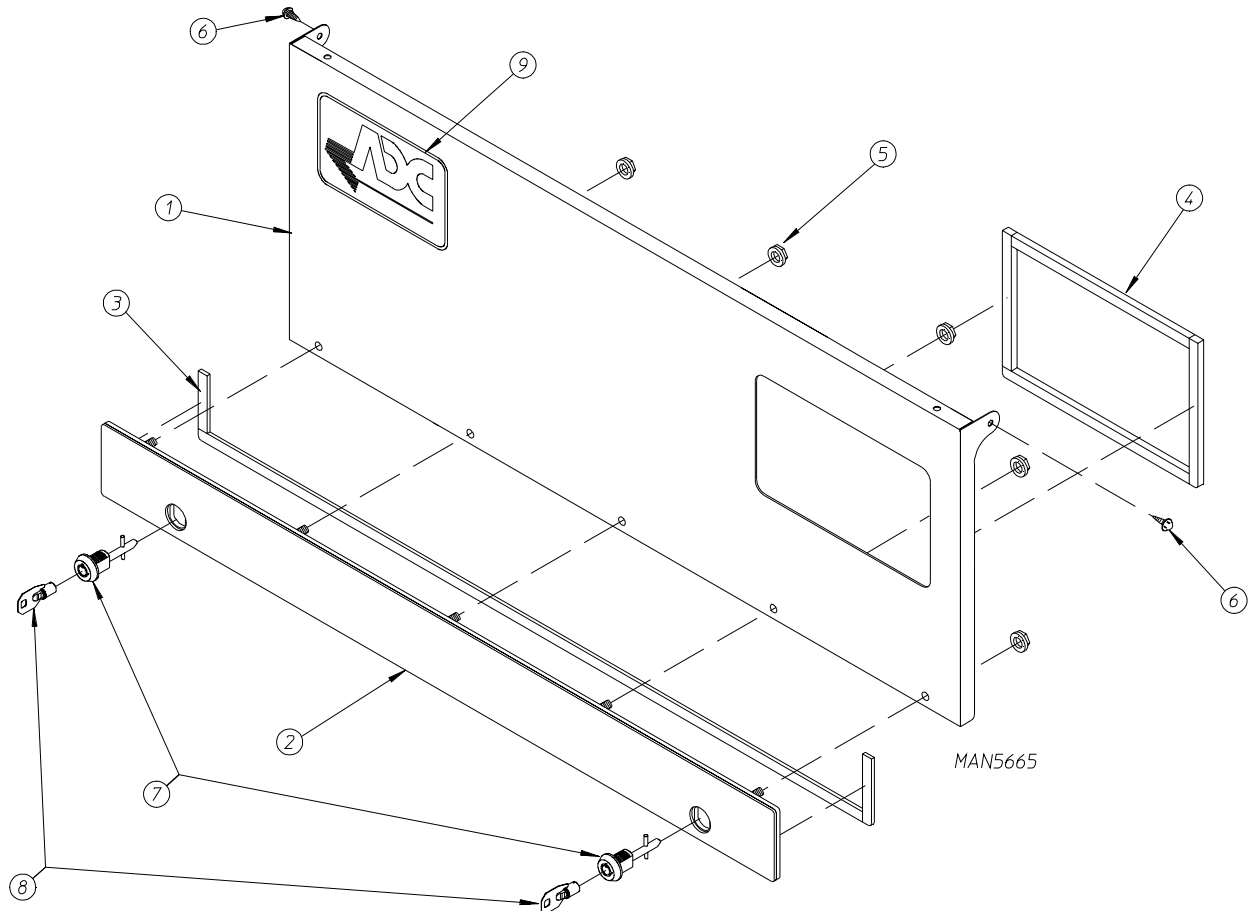
MFM 05/21/01

<u>Illus. No.</u>	<u>Part No.</u>	<u>Qty.</u>	<u>Description</u>
1	883000**	1	Slide Meter Control Door without Locks (includes illus. nos. 1 through 4)
2	802514	1	Control Door Trim (cold rolled steel [CRS])
3	117604	3	1/8" x 3/8" Neoprene Sponge Tape
4	117605	2	1/4" x 3/8" Neoprene Sponge Tape
5	152014	5	1/4-20 Free Spin Wash Nut
6	160040	2	XX4451 Lock
7	160140	*	XX4451 Key
8	881053	1	ADC Logo with Adhesive Tape

\* As required.

\*\* Specify color when ordering.

For Models Mfd. between January 24, 2001 and March 16, 2001



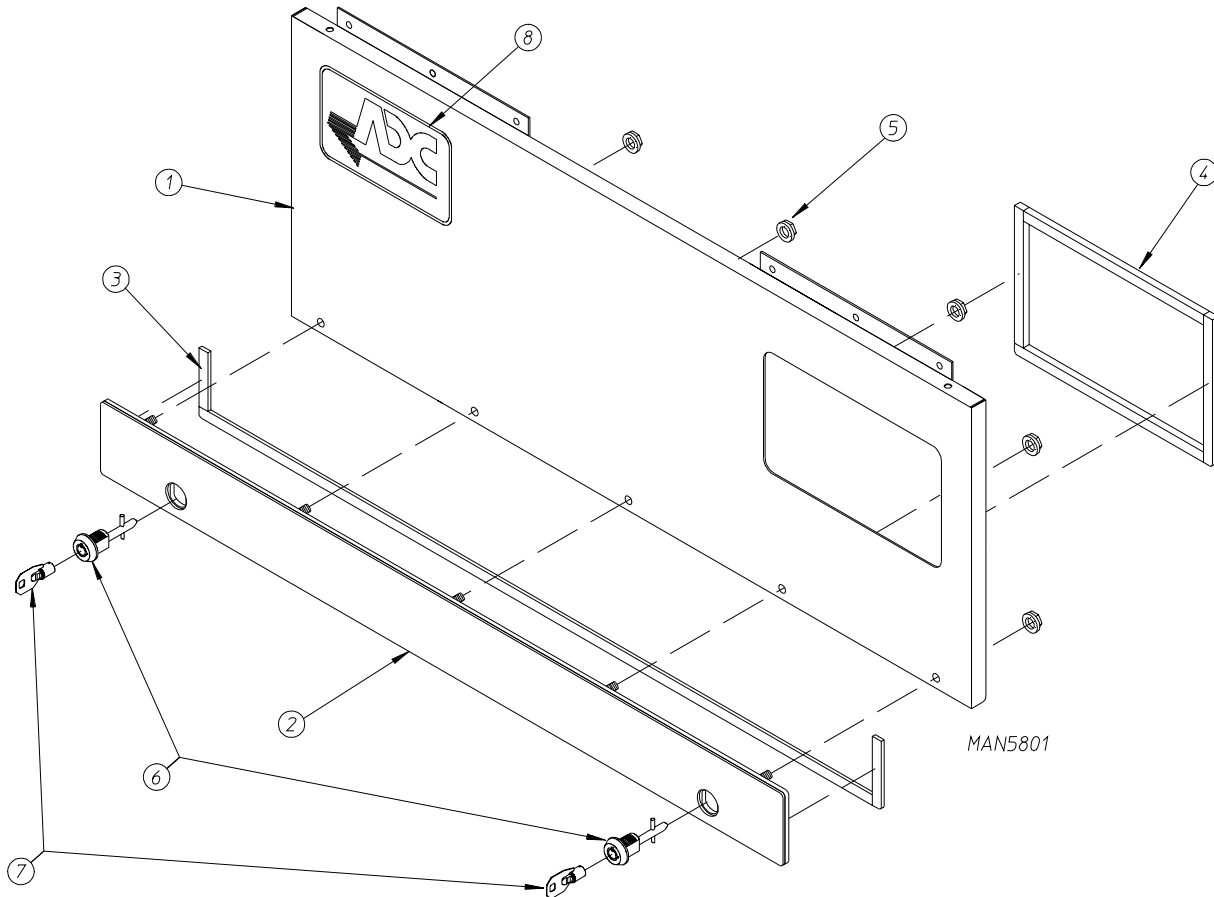
MFM 03/06/01

Illus. No.	Part No.	Qty.	Description
1	883000**	1	Slide Meter Control Door without Locks (includes illus. nos. 1 through 4)
2	802514	1	Control Door Trim (cold rolled steel [CRS])
3	117604	3	1/8" x 3/8" Neoprene Sponge Tape
4	117605	2	1/4" x 3/8" Neoprene Sponge Tape
5	152014	5	1/4-20 Free Spin Wash Nut
6	150420	2	#10-16 x 5/8" TEK - 3 Tamperproof Screw
7	160040	2	XX4451 Lock
8	160140	*	XX4451 Key
9	881053	1	<b>ADC</b> Logo with Adhesive Tape

\* As required.

\*\* Specify color when ordering.

For Models Mfd. as of March 17, 2001



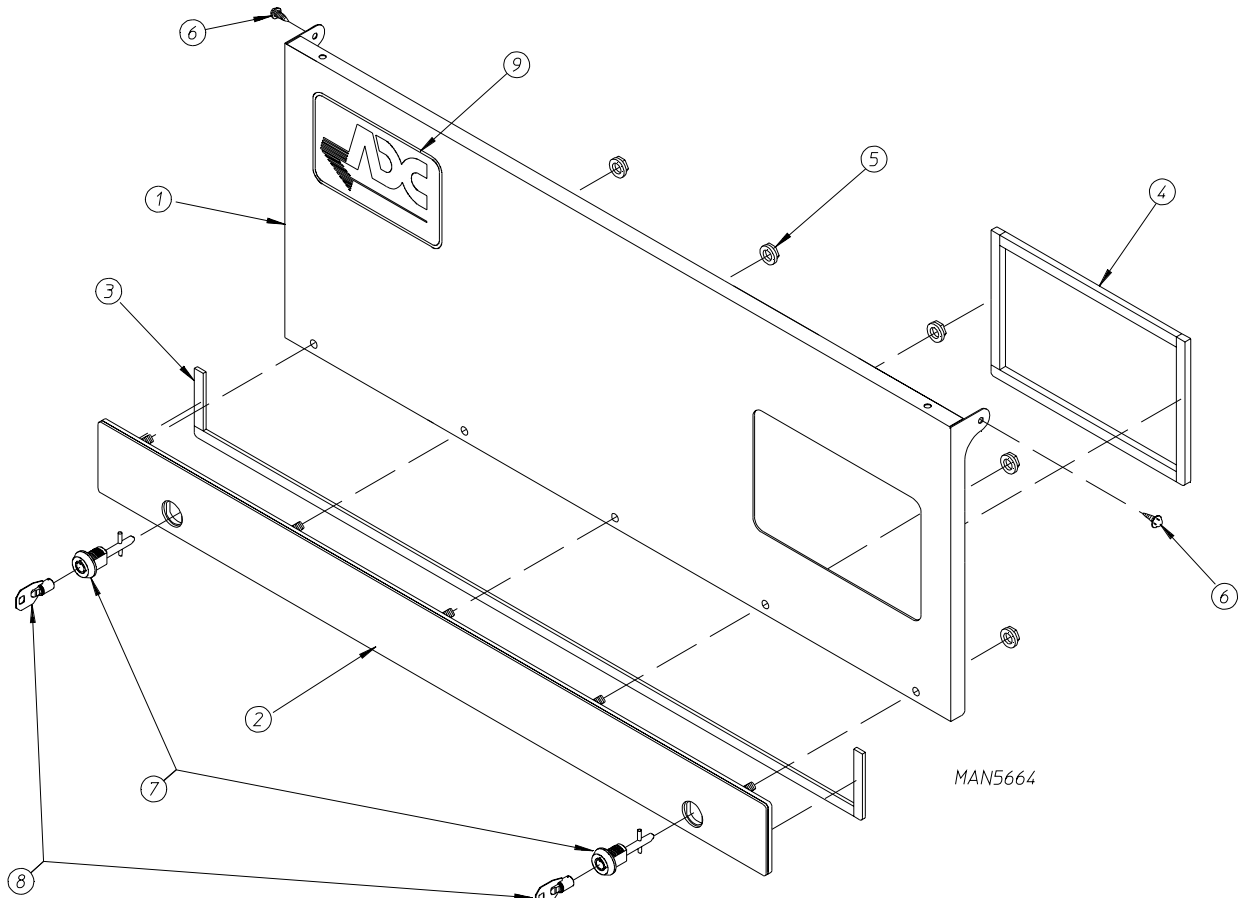
MFM 05/21/01

<u>Illus. No.</u>	<u>Part No.</u>	<u>Qty.</u>	<u>Description</u>
1	882999**	1	OPL and Non 25¢ Coin Control Door without Locks (includes illus. nos. 1 through 4)
2	802514	1	Control Door Trim (cold rolled steel [CRS])
3	117604	3	1/8" x 3/8" Neoprene Sponge Tape
4	117605	2	1/4" x 3/8" Neoprene Sponge Tape
5	152014	5	1/4-20 Free Spin Wash Nut
6	160040	2	XX4451 Lock
7	160140	*	XX4451 Key
8	881053	1	<b>ADC</b> Logo with Adhesive Tape

\* As required.

\*\* Specify color when ordering.

For Models Mfd. between January 24, 2001 and March 16, 2001



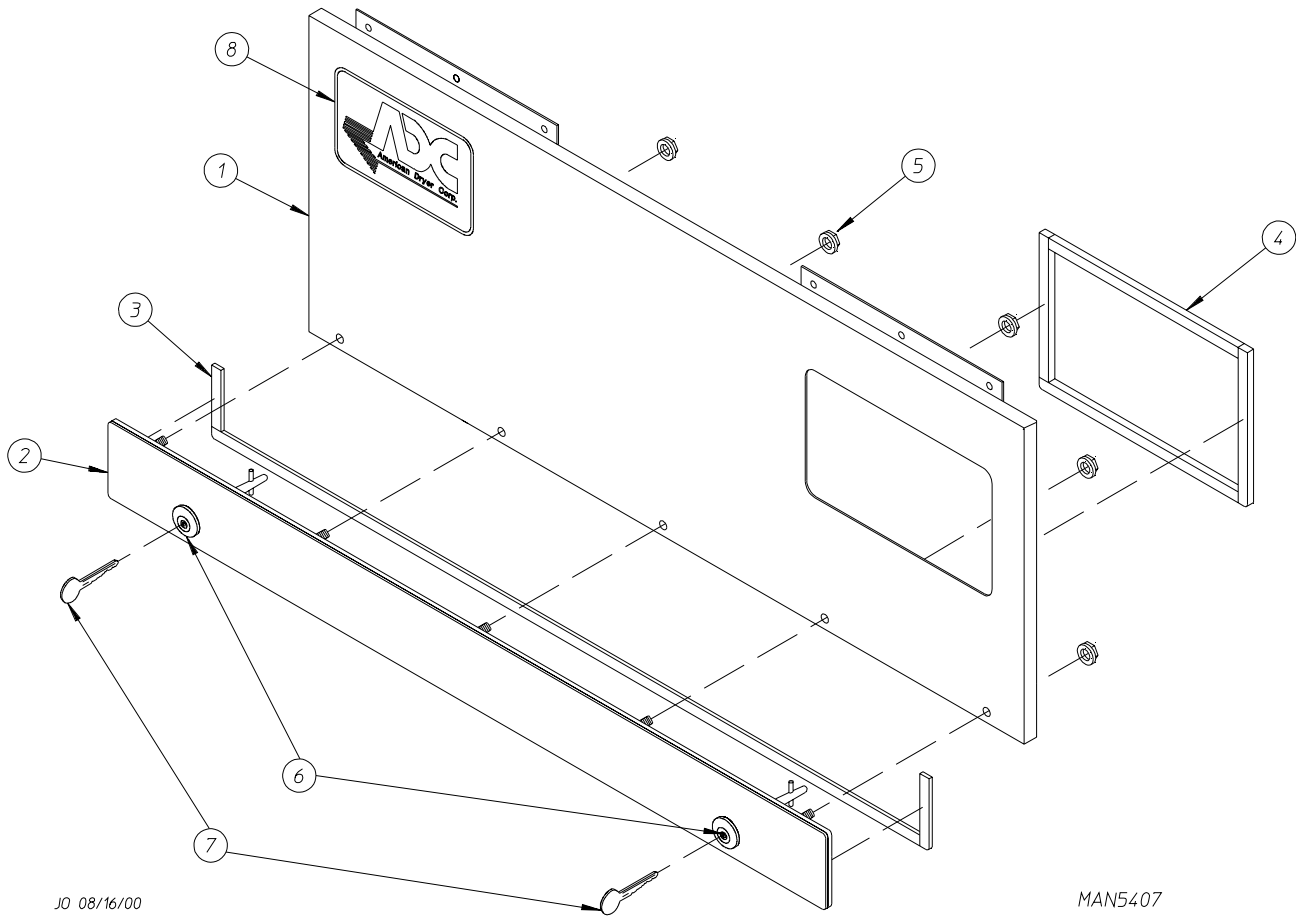
MFM 03/06/01

Illus. No.	Part No.	Qty.	Description
1	882999**	1	OPL and Non 25¢ Coin Control Door without Locks (includes illus. nos. 1 through 4)
2	802514	1	Control Door Trim (cold rolled steel [CRS])
3	117604	3	1/8" x 3/8" Neoprene Sponge Tape
4	117605	2	1/4" x 3/8" Neoprene Sponge Tape
5	152014	5	1/4-20 Free Spin Wash Nut
6	150420	2	#10-16 x 5/8" TEK Tamperproof Screw
7	160040	2	XX4451 Lock
8	160140	*	XX4451 Key
9	881053	1	ADC Logo with Adhesive Tape

\* As required.

\*\* Specify color when ordering.

For Models Mfd. prior to January 24, 2001



JO 08/16/00

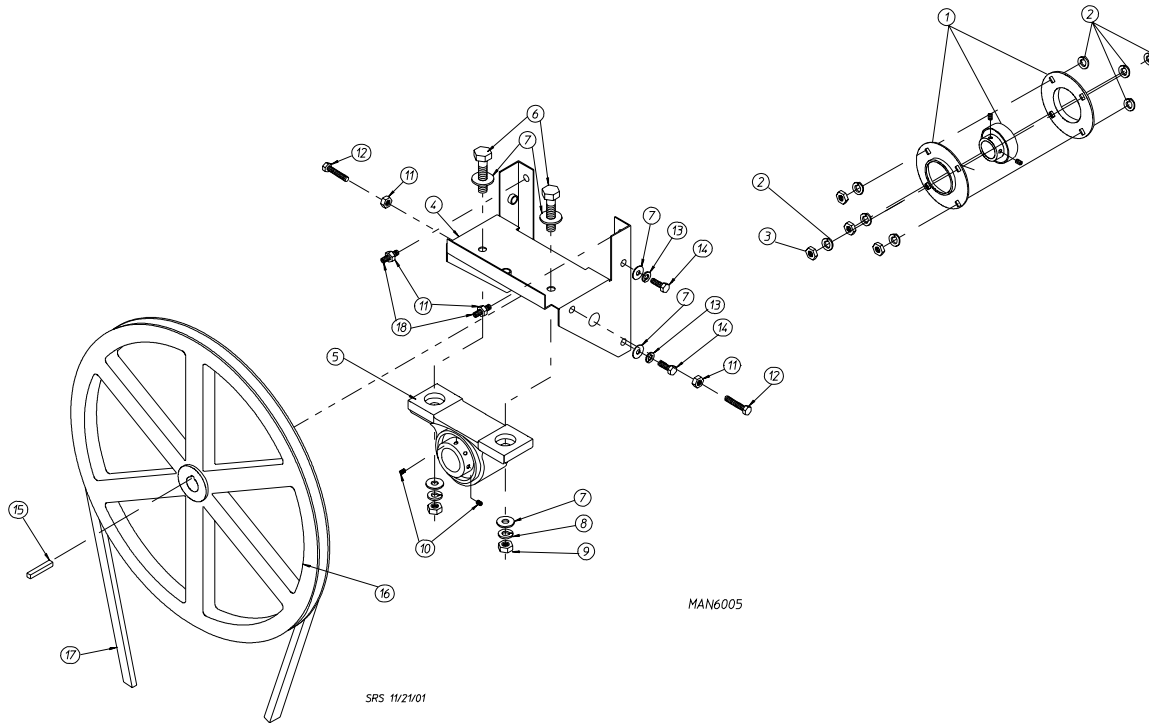
MAN5407

<u>Illus. No.</u>	<u>Part No.</u>	<u>Qty.</u>	<u>Description</u>
1	882984*	1	Control Door with Cold Rolled Steel (CRS) Trim with Hinge (includes illus. nos. 1 through 4)
2	802514		Cold Rolled Steel (CRS) Control Door Trim
3	117604	3	1/8" x 3/8" Neoprene Sponge Tape
4	117605	2	1/4" x 3/8" Neoprene Sponge Tape
5	152014	5	1/4-20 Free Spin Wash Nut
6	160040	2	XX4451 Lock
7	160140	2	XX4451 Key
8	881053	1	<b>ADC</b> Logo with Adhesive Tape

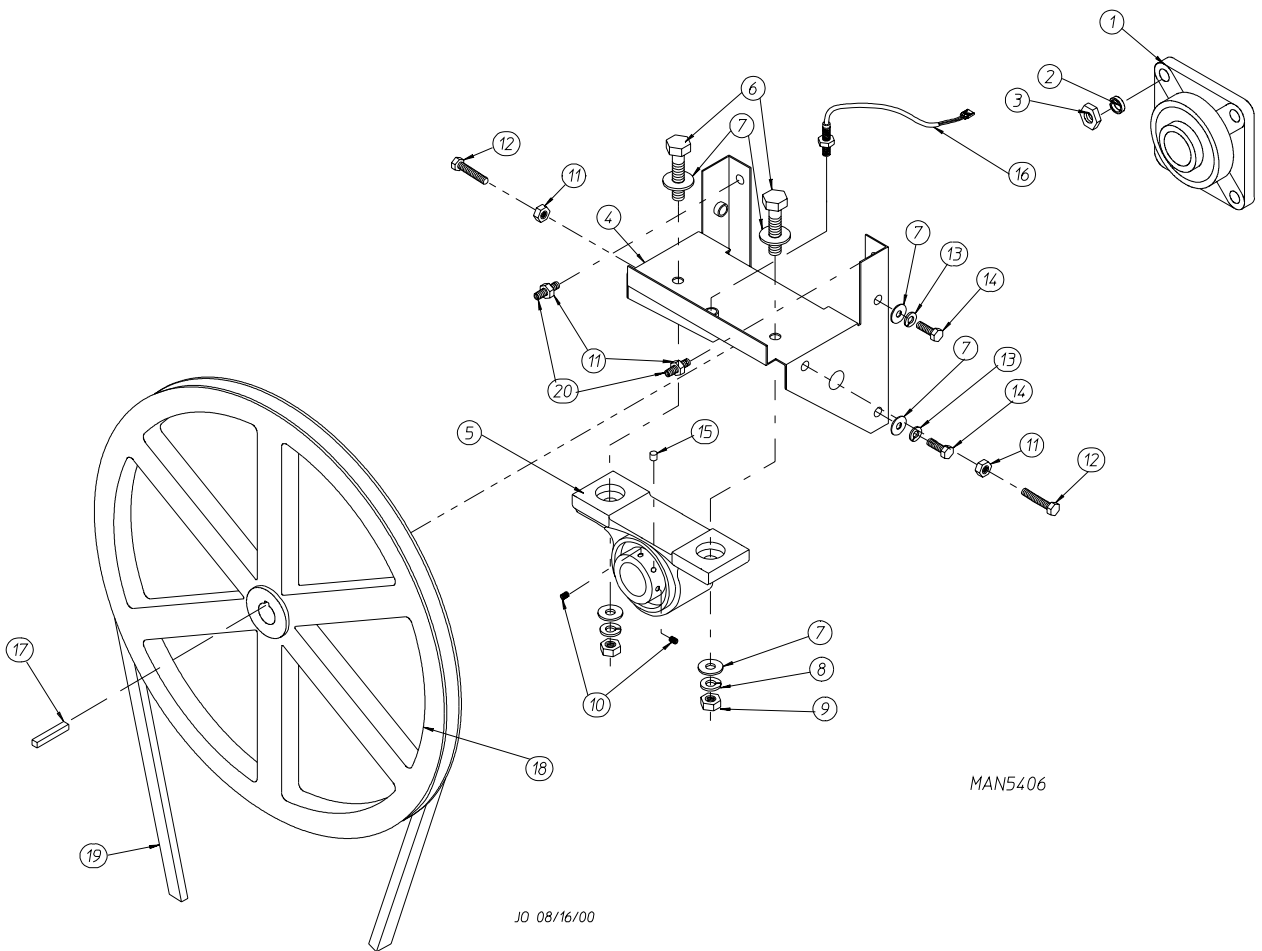
\* Specify color when ordering.



For Models Mfd. as of April 27, 2001

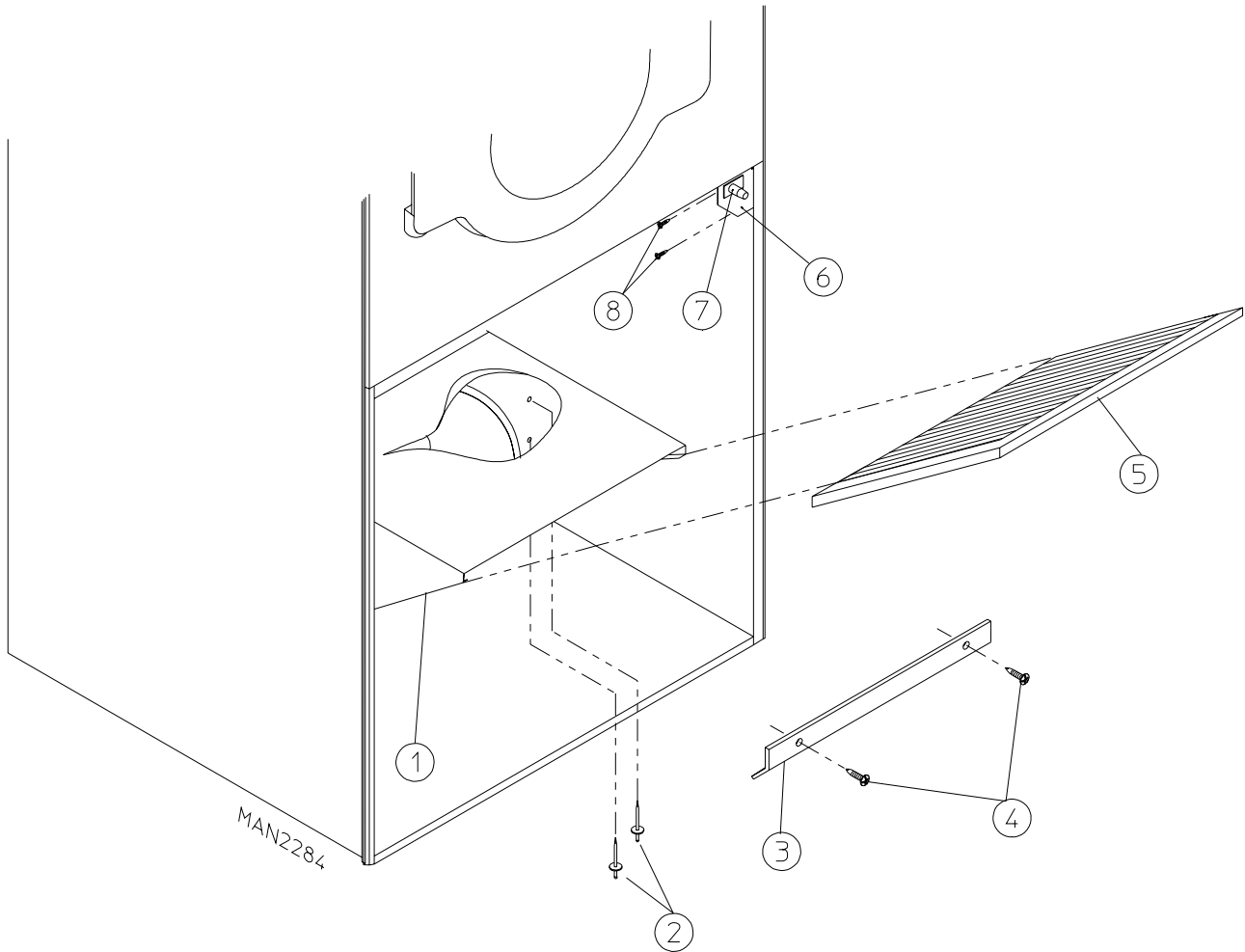


<u>Illus. No.</u>	<u>Part No.</u>	<u>Qty.</u>	<u>Description</u>
1	880209	1	1-3/8" 4 Bolt Pressed Steel Round Bearing
2	153005	12	3/8" Lock Washer
3	152005	4	3/8-16 Hex Nut
4	882544	1	Pillow Block Bearing Assembly Complete (includes illus. nos. 4 through 14 and 18)
	882542	1	Bearing Support ONLY
5	880202	1	1-3/8" Pillow Block Bearing
6	150601	2	3/8-16 x 2" Hex Bolt
7	153004	8	3/8" Flat Washer
8	153005	2	3/8" Lock Washer
9	152005	2	3/9-16 Hex Nut
10	154326	2	5/16-24 x 3/8" Setscrew Black
11	152004	4	5/16-18 Hex Nut
12	150621	2	5/16-18 x 1-1/2" Tap Bolt
13	153002	4	5/16" Lock Washer
14	150501	4	5/16-18 x 3/4" Tap Bolt
15	100713	1	1/4" x 1/4" x 7/8" Key
16	101100	1	18" Pulley
17	100100	1	5L-660 V-Belt (to idler assembly)
18	150610	2	5/16-18 x 1-1/2" Allen Setscrew

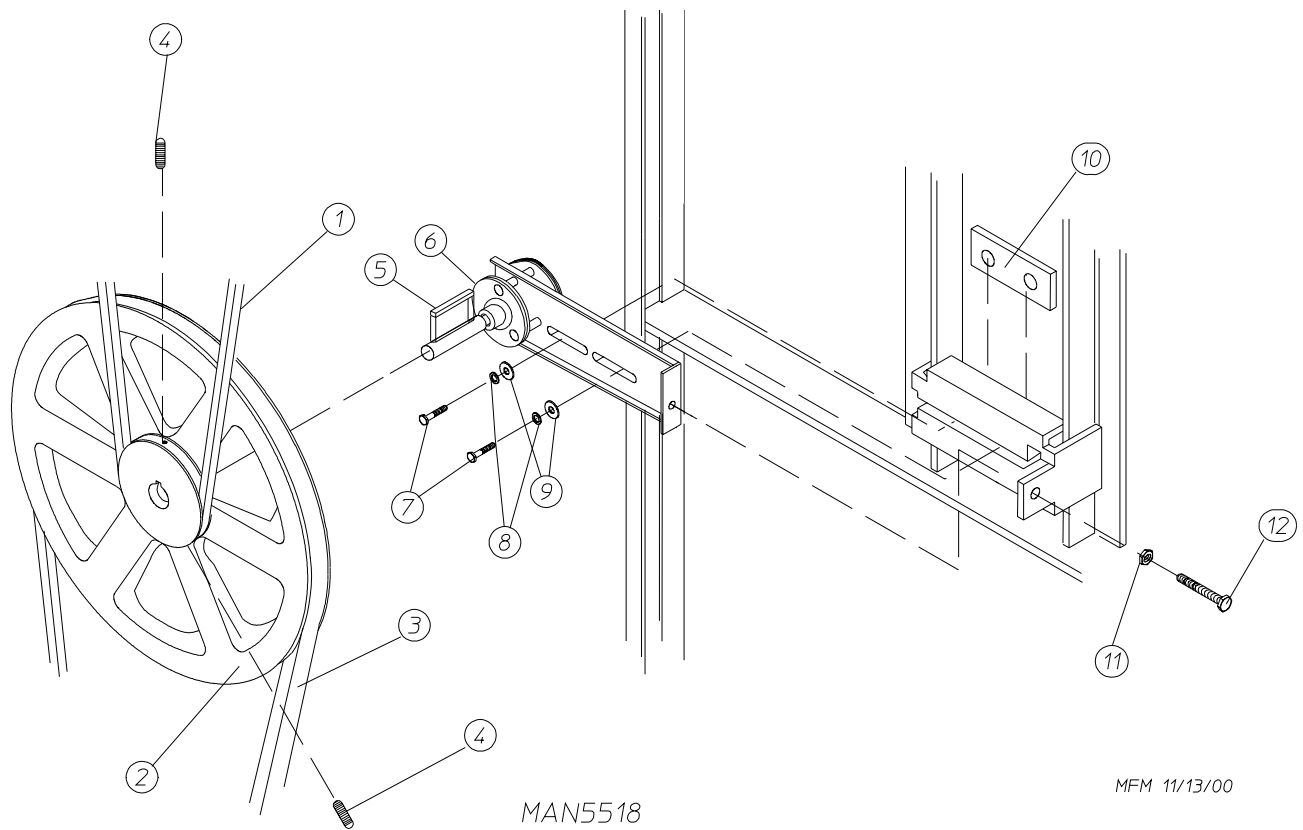


**For Models Mfd. prior to April 27, 2001**

<u>Illus. No.</u>	<u>Part No.</u>	<u>Qty.</u>	<u>Description</u>
1	880203	1	1-3/8" Flange Bearing
2	153005	4	3/8" Lock Washer
3	152005	4	3/8-16 Hex Nut
4	882544	1	Pillow Block Bearing Assembly Complete (includes illus. nos. 4 through 19)
	882545	1	Pillow Block Bearing Assembly Complete (with rotational sensor) (includes illus. nos. 4 through 16)
	882542	1	Bearing Support ONLY
	882543	1	Bearing Support ONLY (with rotational sensor)
5	880202	1	1-3/8" Pillow Block Bearing ONLY
	880779	1	1-3/8" Pillow Block Bearing Assembly (with rotational sensor)
6	150601	2	3/8-16 x 2" Hex Bolt
7	153004	8	3/8" Flat Washer
8	153005	2	3/8" Lock Washer
9	152005	2	3/8-16 Hex Nut
10	154326	2	5/16-24 x 3/8" Black Setscrew
11	152004	4	5/16-18 Hex Nut
12	150621	2	5/16-18 x 1-1/2" Tap Bolt
13	153002	4	5/16" Lock Washer
14	150501	4	5/16-18 x 3/4" Tap Bolt
15	102120	1	Sintered 8 Magnet
16	824807	1	Rotational Sensor Assembly (with rotational sensor)
17	100713	1	1/4" x 1/4" x 7/8" Key
18	101100	1	18" Pulley
19	100111	1	5L-650 V-Belt (to idler assembly)
20	150610	2	5/16-18 x 1-1/2" Allen Setscrew



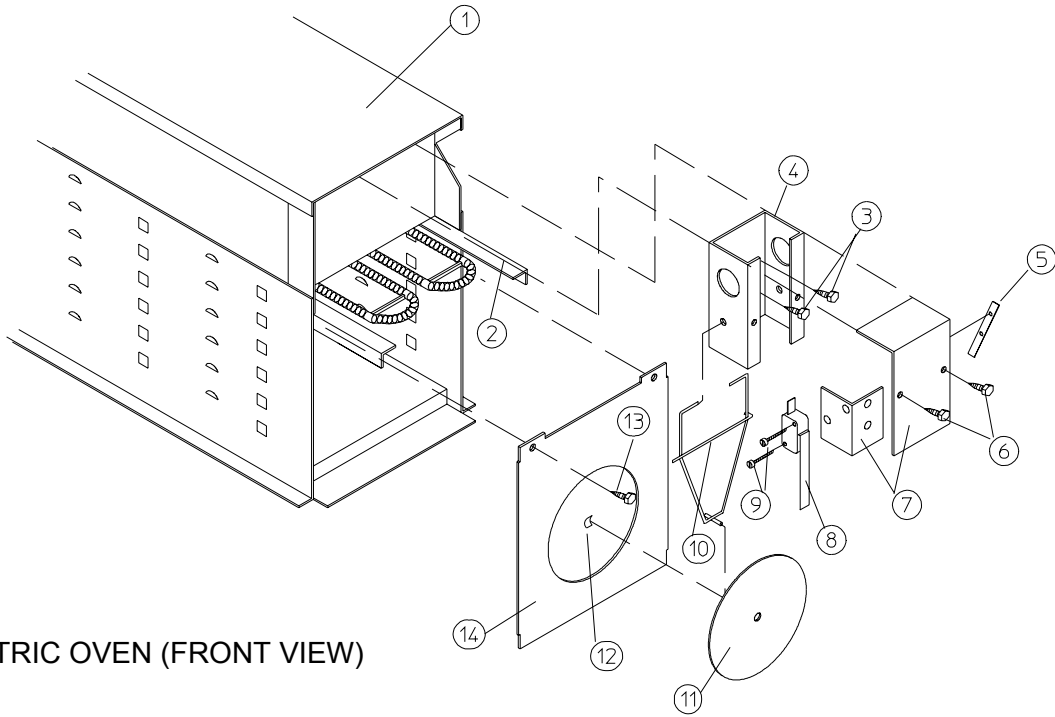
<u>Illus. No.</u>	<u>Part No.</u>	<u>Qty.</u>	<u>Description</u>
1	800429	1	Lint Trap Assembly Complete (includes illus. nos. 1 and 3 through 5)
	800419	1	Lint Trap ONLY
2	154200	7	5/32" Pop Rivet
3	304102	1	Lint Screen Holder
4	150300	3	#10-16 x 1/2" Hex Washer TEK Screw
5	800503	1	Lint Screen ONLY
6	323724	1	Lint Drawer Switch Bracket
7	122116	1	Lint Drawer Switch
8	150425	2	#12-24 x 3/8" Slotted Pan Head Screw



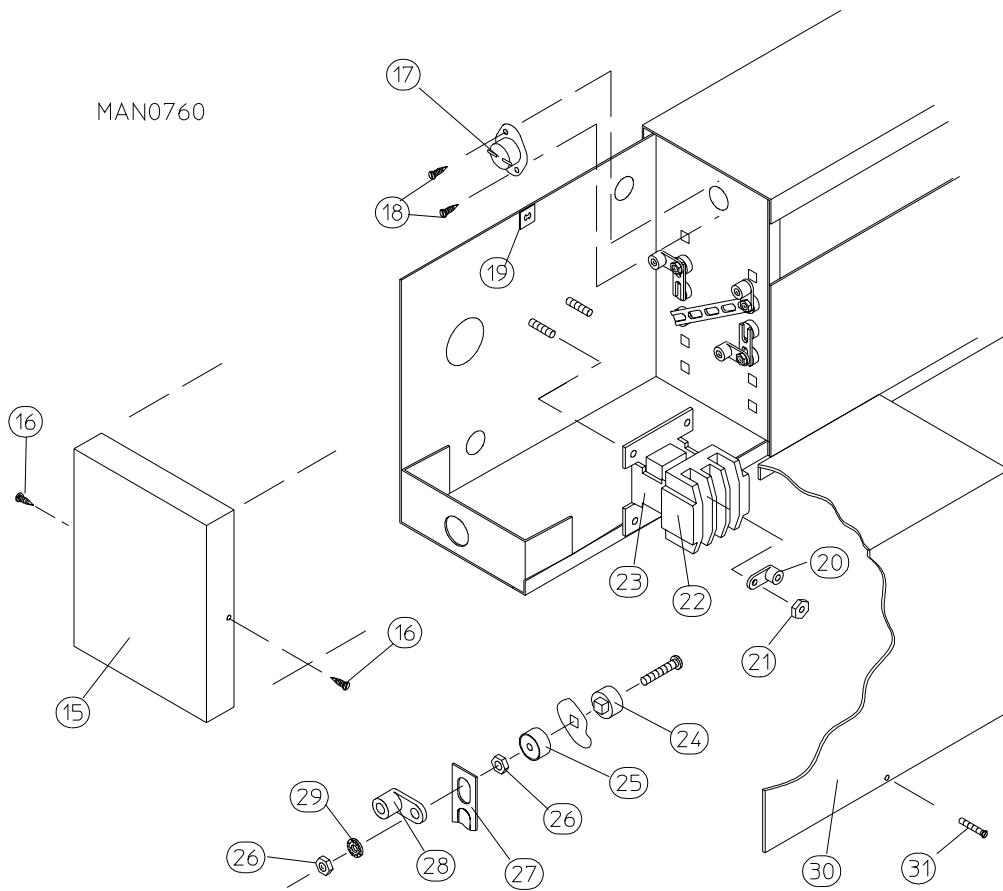
MAN5518

MFM 11/13/00

<u>Illus. No.</u>	<u>Part No.</u>	<u>Qty.</u>	<u>Description</u>
1	100111	1	5L-650 V-Belt
2	101129	1	9" x 2-1/2" Compound Pulley
3	100105	1	4L-520 V-Belt (idler to motor)
4	154301	2	5/16-18 x 1" Allen Setscrew
5	100705	1	3/16" x 3/16" x 1-3/8" Key
6	882576	1	Idler Bearing Assembly Complete (includes illus. nos. 5 through 12)
7	150617	2	3/8-16 x 1" Hex Head Machine Bolt
8	153005	2	3/8" Lock Washer
9	153004	2	3/8" Flat Washer
10	801009	1	Idler Square Washer
11	152004	1	5/16-18 Hex Nut
12	150509	1	5/16-18 x 3" Hex Head Machine Bolt



ELECTRIC OVEN (FRONT VIEW)

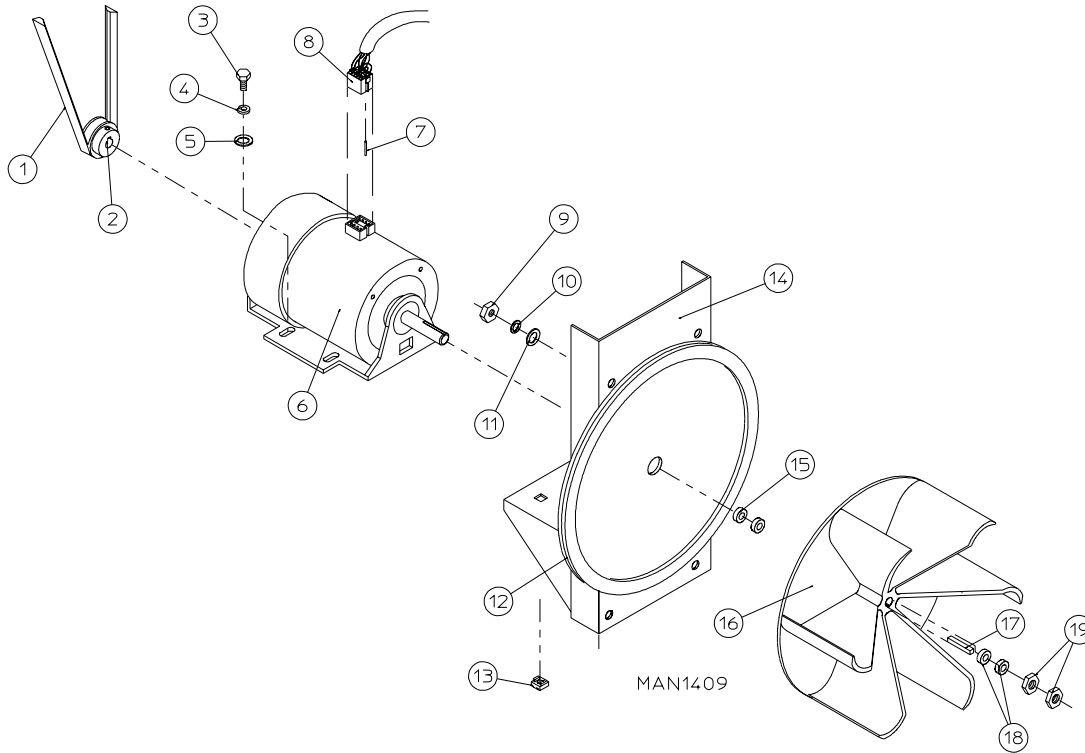


MAN0760

ELECTRIC OVEN (REAR VIEW)

<u>Illus. No.</u>	<u>Part No.</u>	<u>Qty.</u>	<u>Description</u>
1	803003*	1	Electric Oven Box ONLY
	-----*	1	Electric Oven Assembly Complete
2	-----*	1	Electric Element
3	150300	2	#10-16 x 1/2" Hex Washer TEK Screw
4	802800	1	Sail Switch Box with Cover and Bracket ONLY
	802801	1	Sail Switch Box Assembly Complete (includes illus. nos. 4 through 12)
5	154004	1	Twin Speed Nut
6	150309	2	#10-16 x 1/2" Hex Head TEK Crimptite Screw
7	802799	1	Sail Switch Box Cover
8	122200	1	Sail Switch
9	150303	2	#4 x 3/4" Pan Head "A" Machine Screw
10	105500	1	Sail Switch Actuator Rod
11	319202	1	Sail Switch Damper (flat)
12	154002	1	1/8" Push On Fastener
13	150300	2	#10-16 x 1/2" Hex Washer TEK Screw
14	803100	1	Electric Oven Front Cover
15	320611	1	Large Relay Box Cover
16	150402	2	#10-24 x 5/8" Slotted Truss Head Machine Screw
17	130400	1	290° Hi-Limit
18	150300	2	#10-16 x 1/2" Hex Washer TEK Screw
19	154001	1	#10-24 Speed Nut
20	121010	1	L-70 Ground Lug
21	152014	3	1/4-20 Free Spin Wash Nut
22	-----*	1	Oven Relay
23	-----*	1	Oven Relay Replacement Coil
24	120081	-	Internal Ceramic Insulator (2 per element)
25	120080	-	External Ceramic Insulator (2 per element)
26	152008	-	#10-32 Hex Nut (4 per element)
27	121011	-	Bus Bar (sold by the foot)
28	-----*	-	Terminal Lug
29	153009	-	#10 Star Washer (2 per element)
30	321300	1	Large Electric Oven Right Side Cover ONLY
31	150402	2	#10-24 x 5/8" Slotted Truss Head Machine Screw

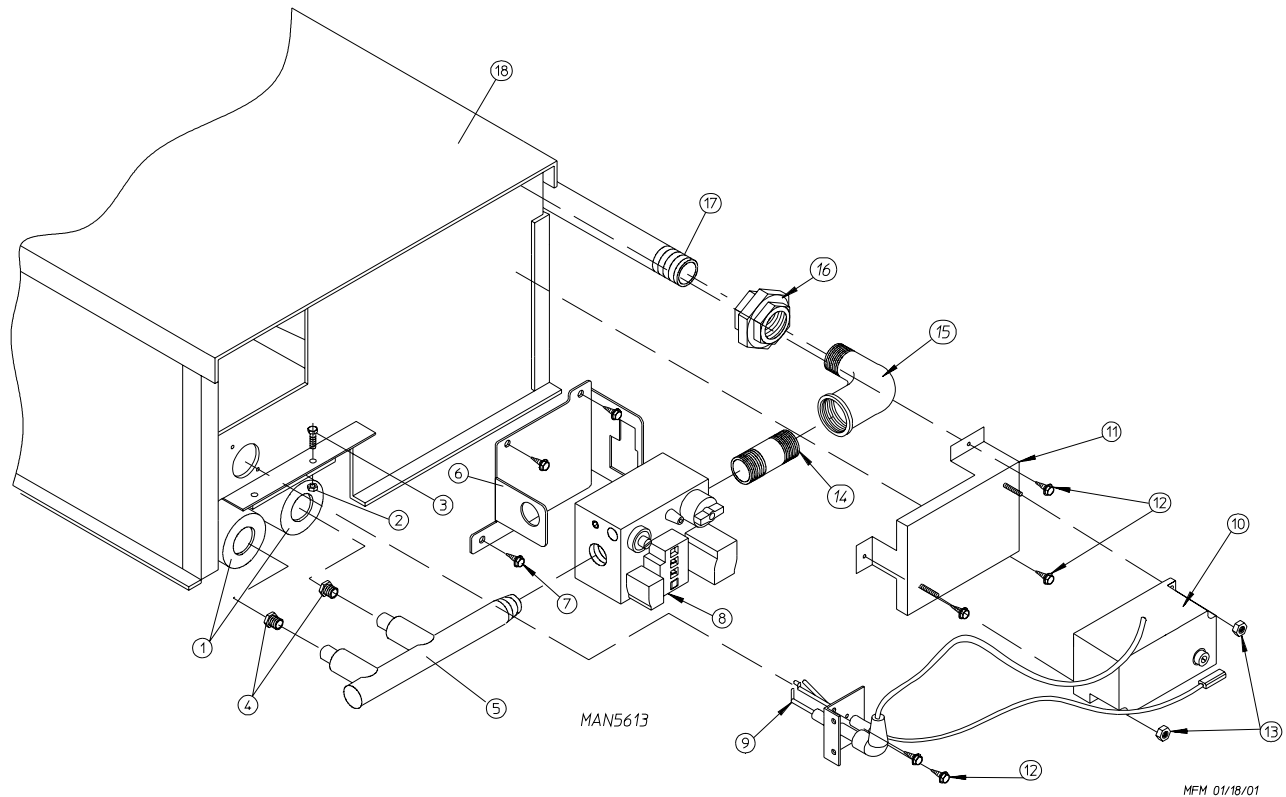
\* Refer to **Electric Oven Component Application Chart** on **page 36**.



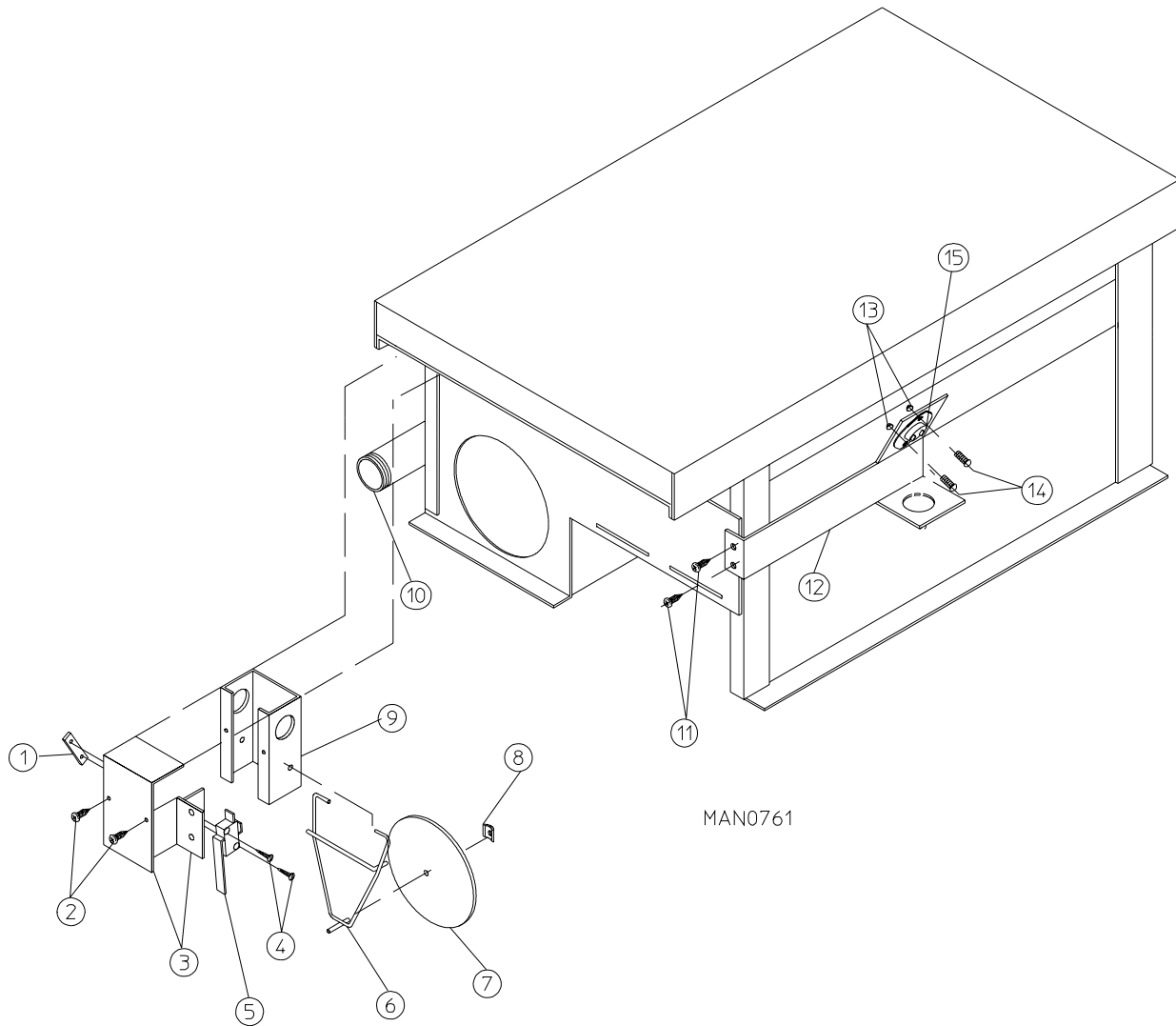
<u>Illus. No.</u>	<u>Part No.</u>	<u>Qty.</u>	<u>Description</u>
1	100105	1	4L-520 V-Belt (to idler bearing assembly)
2	101131	1	1/2" x 2-1/4" Motor Pulley (for use on 1Ø 60 Hz models Only)
3	150501	4	5/16-18 x 3/4" Tap Bolt
4	153002	4	5/16" Lock Washer
5	153001	4	5/16" Flat Washer
6	100065*	1	1/2 HP 115-230v 1Ø 60 Hz Totally Enclosed, Fan-Cooled (T.E.F.C.) Motor with Plug
7	122701	8	Socket Terminal
8	137030	1	8-Pin Housing Connector ONLY
	122801	1	Pin/Socket Extraction Tool
9	152004	4	5/16-18 Hex Nut
10	153002	4	5/16" Lock Washer
11	153001	4	5/16" Flat Washer
12	117600	4	Noise Suppressor Tape (sold by the foot)
13	154000	4	5/16-18 Tinnerman Nut
14	800909	1	1/2 HP Motor Mount ONLY (56Z frame)
	803871*	1	1/2 HP 115-230v 1Ø 60 Hz Totally Enclosed, Fan-Cooled (T.E.F.C.) Motor Mount Assembly with Plug Motor (includes illus. nos. 3 through 8 and 13 through 19)
15	153050	2	1/2" S.A.E. Flat Washer
16	100604	1	12-1/2" Impellor (fan) with 1/2" Bore
17	100702	1	1/8" x 1/8" x 1-1/2" Key
18	153050	2	1/2" S.A.E. Flat Washer
19	152006	2	1/2-20 Left Hand Jam Nut

\* Specify voltage when ordering.

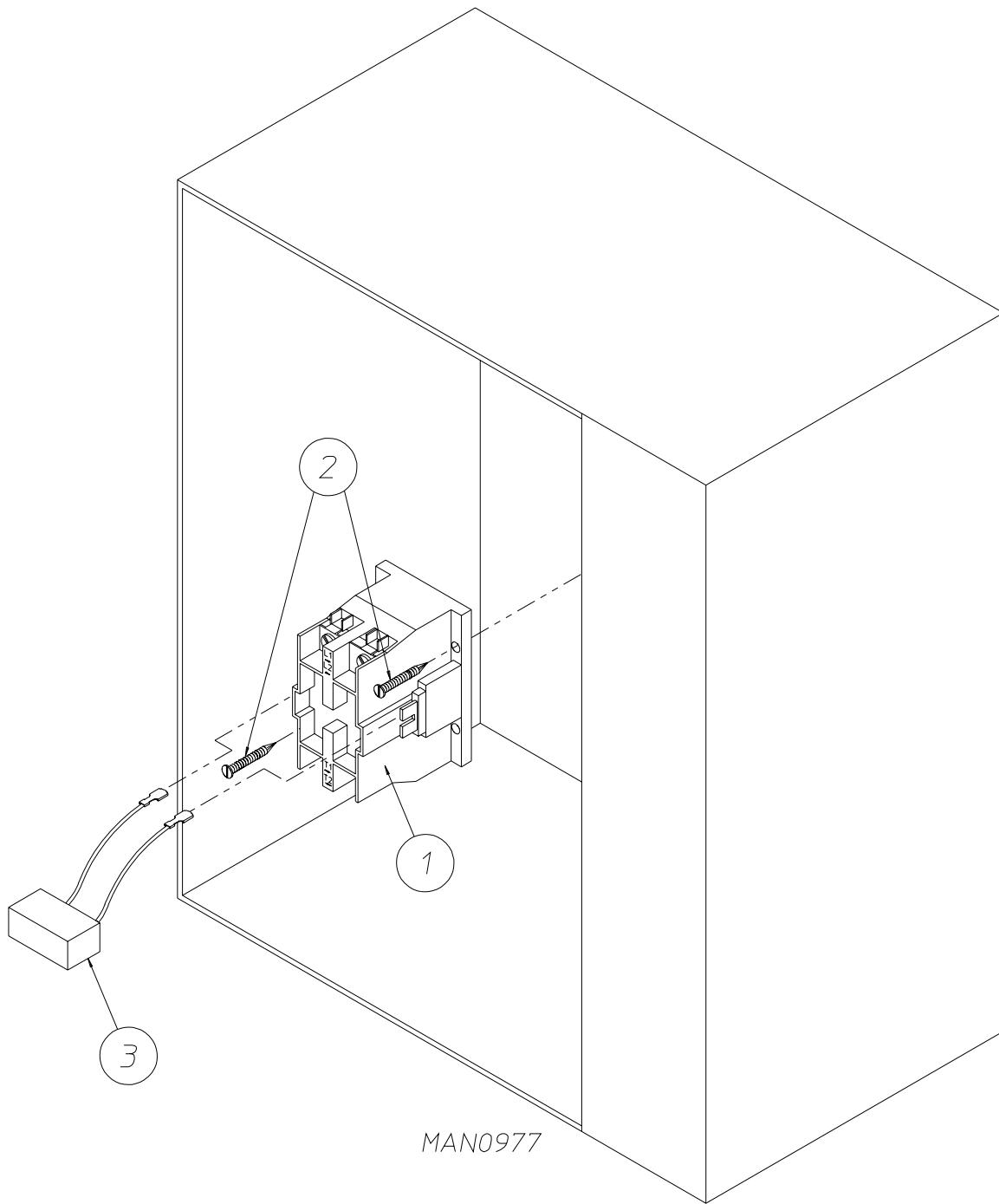




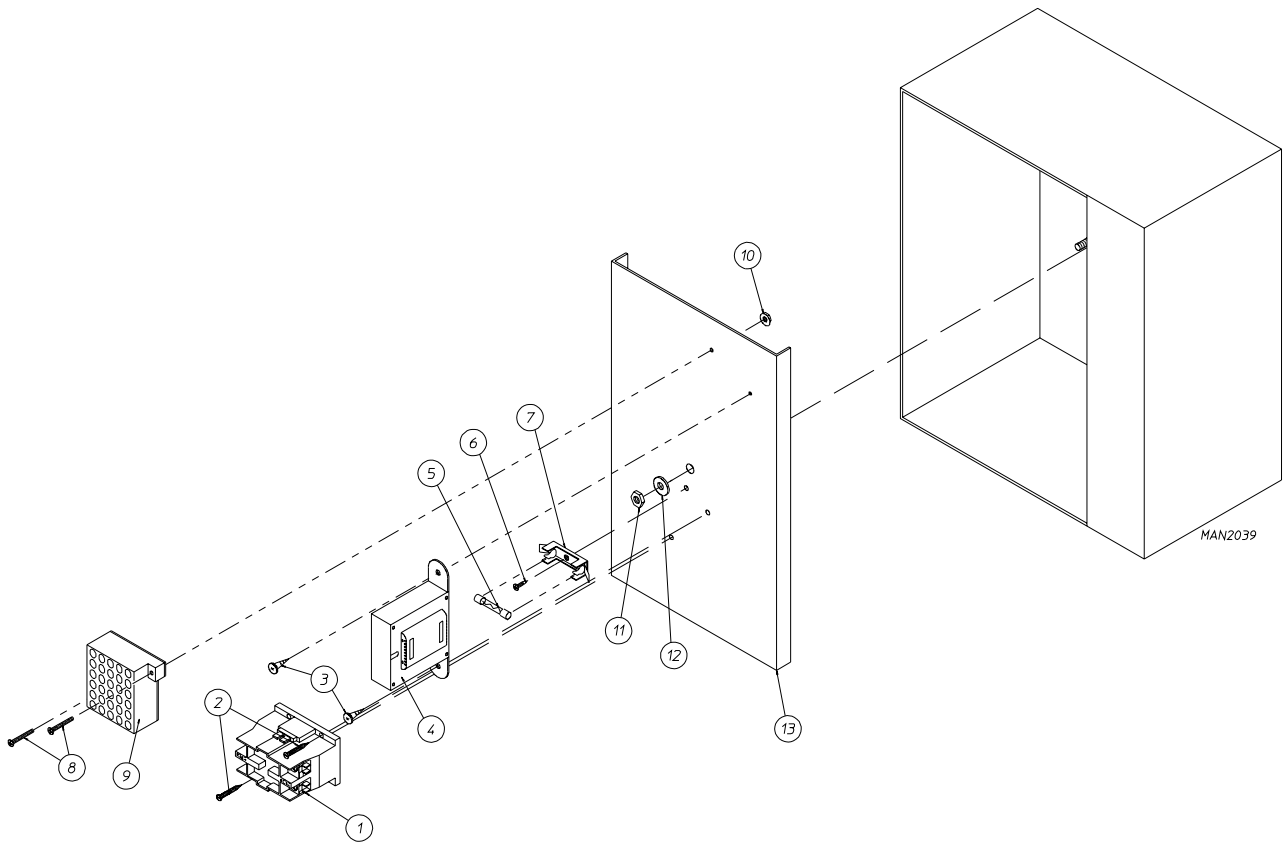
<u>Illus. No.</u>	<u>Part No.</u>	<u>Qty.</u>	<u>Description</u>
1	141104	2	Small Tube Burner
2	151001	2	#8-32 Pal Nut
3	150108	2	#8-32 x 1/2" Phillips Pan Head Machine Screw
4	140815	2	#37 Orifice (natural gas)
	140800	2	#52 Orifice (liquid propane [L.P.] gas)
5	141230	1	1/2" Direct Spark Ignition (DSI) Manifold (2-port)
6	318714	1	1-Piece Gas Valve Bracket
7	150309	5	#10-16 x 1/2" Hex Head TEK Crimptite Screw
8	128927	1	Gas Valve
	140411	1	Liquid Propane (L.P.) Conversion Kit For Gas Valve
9	809307	1	Ignitor-Probe Assembly
10	801048	1	<b>ADC</b> Direct Spark Ignition (DSI) Johnson Module (three [3] tries)
11	810030	1	Johnson Direct Spark Ignition (DSI) Module Mounting Bracket
12	150300	9	#10-16 x 1/2" Hex Washer TEK Screw
13	152013	2	#6-32 Hex Nut
14	142707	1	1/2" x 1-1/2" Long Black Nipple
15	142506	1	1/2" Street Elbow
16	142600	1	1/2" Black Union
17	142809	1	1/2" x 29-1/8" Pipe
18	882982	1	Direct Spark Ignition (DSI) Burner Box - Natural Gas (includes illus. nos. 1 through 3 and 5 through 17)
	882983	1	Direct Spark Ignition (DSI) Burner Box - Liquid Propane (L.P.) Gas (includes illus. nos. 1 through 3 and 5 through 17)



<u>Illus. No.</u>	<u>Part No.</u>	<u>Qty.</u>	<u>Description</u>
1	154004	1	Twin Speed Nut
2	150309	2	#10-16 x 1/2" Hex Head TEK Crimptite Screw
3	802799	1	Sail Switch Box Cover and Bracket
4	150303	2	#4 x 3/4" Pan Head "A" Machine Screw
5	122200	1	Sail Switch
6	105500	1	Sail Switch Actuator Rod
7	319202	1	Sail Switch Damper (flat)
8	154002	1	1/8" Push On Fastener
9	802801	1	Sail Switch Box Assembly Complete (includes illus. nos. 1 through 9)
	802800	1	Sail Switch Box with Cover and Bracket ONLY
10	142809	1	1/2" x 29-1/8" Pipe
11	150309	2	#10-16 x 1/2" Hex Head TEK Crimptite Screw
12	319704	1	Hi-Limit Mounting Bracket
13	151000	2	#6-32 Pal Nut
14	150001	2	#6-32 x 1/2" Round Head Machine Screw
15	130403	1	330° Hi-Limit

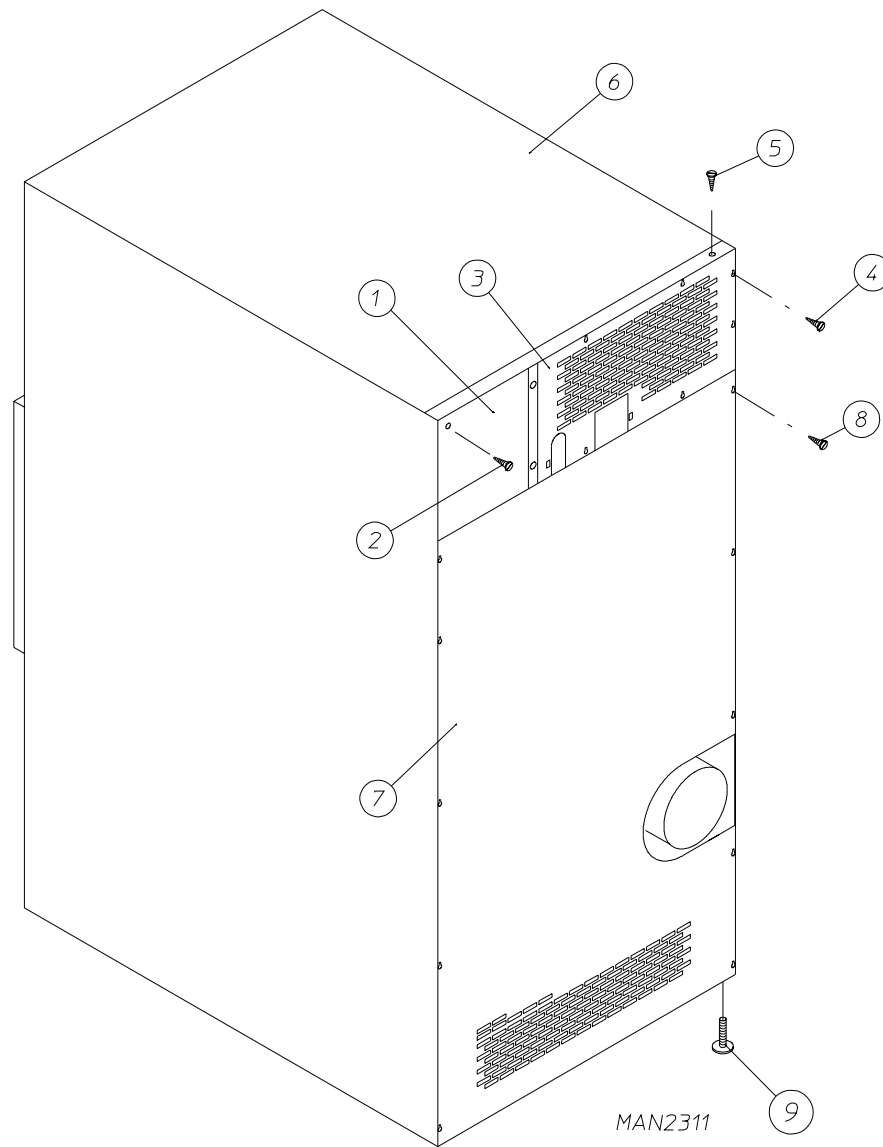


<u>Illus. No.</u>	<u>Part No.</u>	<u>Qty.</u>	<u>Description</u>
1	132475	1	2-Pole Contactor - 24 VAC
2	150299	2	#10 x 1" Hex Washer TEK Screw
3	824828	1	RC Network with Connector
-	322809	1	Back Electrical Box Cover ... Not Illustrated
-	150301	4	#8-18 x 7/16" Phillips Pan Head TEK Screw ... Not Illustrated



<u>Illus. No.</u>	<u>Part No.</u>	<u>Qty.</u>	<u>Description</u>
1	132475	1	2-Pole Contactor - 24 VAC
2	150299	2	#10 x 1" Hex Washer TEK Screw
3	150300	2	#10-16 x 1/2" Hex Washer TEK Screw
4	141403	1	24 VAC Transformer
5	136057	*	1/2-Amp (Slo-Blo) Fuse
6	150301	*	#8-18 x 7/16" Phillips Pan Head TEK Screw
7	136008	*	Fuse Block/Strip
8	150002	2	#6-32 x 1" Round Head Machine Screw
9	120715	1	30-Position Terminal Block
10	151000	2	#6-32 Pal Nut
11	152004	1	5/16-18 Hex Nut
12	153002	1	5/16" Lock Washer
13	305520	1	Rear Contact Plate
---	322809	1	Back Electrical Box Cover ... Not Illustrated
---	150301	4	#8-18 x 7/16" Phillips Pan Head TEK Screw ... Not Illustrated

\* As required.



<u>Illus. No.</u>	<u>Part No.</u>	<u>Qty.</u>	<u>Description</u>
1	322809	1	Back Electrical Box Cover
2	150301	4	#8-18 x 7/16" Phillips Pan Head TEK Screw
3	330660	1	Top Back Guard
4	150301	7	#8-18 x 7/16" Phillips Pan Head TEK Screw
5	150301	10	#8-18 x 7/16" Phillips Pan Head TEK Screw
6	330767	1	Outer Top
7	330609	1	Bottom Back Guard
8	150301	13	#8-18 x 7/16" Phillips Pan Head TEK Screw
9	103500	4	Leveling Leg

## ADE-24 II

Kw	Volt	Phase	Wire	Oven Assy.*	ELEMENT			OVEN WIRE			TERMINAL LUG		BUS BAR	OVEN RELAY	
					Qty.	Kw	Part No.	Qty	Size	Part No.	Qty.	Part No.	P/N: 121011	Cat. No.	Part No.
24	460/480	3ø	3 or 4	824951	6	4	120009	4	#10	133300	6	121010	2	BEAJ	131352
24	416	3ø	3 or 4	824945	6	4	120008	4	#8	133100	6	121010	2	BEAJ	131352
24	240	3ø	3	824932	6	4	120009	3	#6	133200	3	121012	1	DEAJ	131361
24	208	3ø	3 or 4	824915	6	4	120008	3	#4	133300	4	121012	1	DPA63	131369
20	380	3ø	3 or 4	824938	6	4	120008	4	#10	133000	6	121010	2	BEAJ	131352
20	240	1ø	2	824927	5	4	120009	2	#4	133300	2	121012	2	FEAJ	131375
20	208	1ø	2	824905	5	4	120008	2	#4	133300	2	121012	2	GEAJ	131385
18	460/480	3ø	3 or 4	824950	6	3	120007	4	#10	133000	6	121010	2	BEAJ	131352
18	416	3ø	3 or 4	824944	6	3	120006	4	#10	133000	6	121010	2	BEAJ	131352
18	240	3ø	3	824931	6	3	120007	3	#8	133100	4	121010	2	DPA43	131357
18	240	1ø	2	824925	6	3	120007	2	#4	133300	2	121012	2	DPA63	131369
18	208	3ø	3 or 4	824914	6	3	120006	3	#6	133200	4	121010	2	DEAJ	131361
18	208	1ø	2	824903	6	3	120006	2	#4	133300	2	121012	2	FEAJ	131375
15	380	3ø	3 or 4	824937	6	3	120006	4	#10	133000	6	121010	2	BEAJ	131352
15	240	1ø	2	824924	5	3	120007	2	#6	133200	3	121010	1	DPA63	131369
15	208	1ø	2	824902	5	3	120006	2	#4	133300	2	121012	1	DPA63	131369

\* Oven assemblies **DO NOT** include oven relay (contactor). This item **must be** ordered separately. When ordering Oven Assembly Complete, specify 3 or 4 wire when applicable, as well as if dryer has Microprocessor or Non-Microprocessor controls.

N/A = Not available.

---

<u>Part No.</u>	<u>Description</u>
112027	“Water Washed Fabrics” Label
112040	“Lint Compartment” Label
112041	“Caution - Exhausted” Label
112533	“Phase 5 Coin Program Location Summary” Label
112534	“Phase 5 OPL Program Location Summary” Label
120100	3/8” Straight (BX) Connector
120300	3/8” x 45° (BX) Connector
120400	3/8” Red Jacket (BX) Insulator
120600	3/8” Greenfield (BX)
120802	Red Butt Connector
120902	#74B Wire Nut
121014	1/4” Insulated (female) Terminal
121026	Tab Receptacle Combination
121499	5-1/2” Harness Tie
121500	8” Harness Tie
122804	Manometer (water column test gauge)
121497	33” Heavy Duty Cable Tie
121507	Snap Wire Tie Screw Mount
182457	3/4” Jiffy Clip (BX) Retainer Clip
404500	Almond Brush-In-Cap Bottle Touch-Up Paint
404502	White Brush-In-Cap Bottle Touch-Up Paint
404506	Almond “B” Brush-In-Cap Bottle Touch-Up Paint
404507	Cornflower Blue Brush-In-Cap Bottle Touch-Up Paint
880200	Electrical Terminal (assortment) Kit

