

AD-80 Parts Manual 24 VAC Phase 5 1994

(includes models ADG-80 and ADS-80)

American Dryer Corporation
88 Currant Road
Fall River, MA 02720-4781
Telephone: (508) 678-9010 / Cable: AMDRY / Fax: (508) 678-9447

Retain This Manual In A Safe Place For Future Reference

American Dryer Corporation products embody advanced concepts in engineering, design, and safety. If this product is properly maintained, it will provide many years of safe, efficient, and trouble-free operation.

ONLY properly licensed technicians should service this equipment.

Observe all safety precautions displayed on the equipment or specified in the Installation/Operator's Manual included with the dryer.

WARNING: UNDER NO CIRCUMSTANCES should the dryer door switch or the heat circuit devices ever be disabled.

WARNING: The dryer must never be operated with any of the back guards, outer tops, or service panels removed. PERSONAL INJURY or FIRE COULD RESULT.

We have tried to make this manual as complete as possible and hope you will find it useful. ADC reserves the right to make changes from time to time, without notice or obligation, in prices, specifications, colors, and materials and to change or discontinue models.

Important

For your convenience, log the following information:

DATE OF PURCHASE _____ MODEL NO. AD-80

DISTRIBUTOR'S NAME _____

Serial Number(s) _____

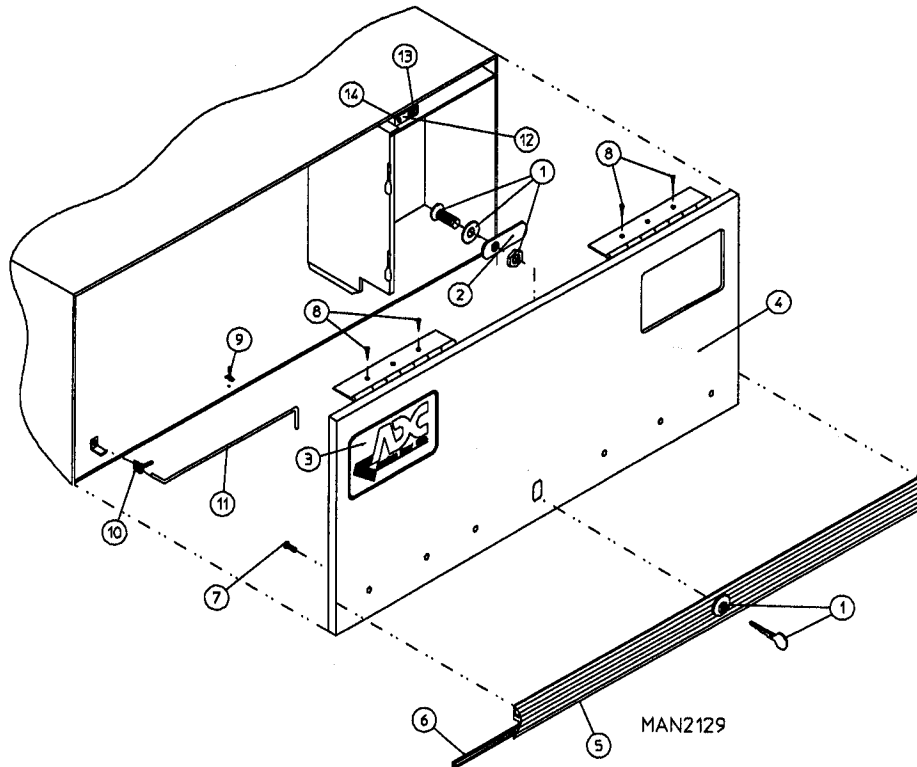
Replacement parts can be ordered from your distributor or the ADC factory. When ordering replacement parts from the factory, you can fax your order to ADC at (508) 678-9447 or telephone your orders directly to the ADC Parts Department at (508) 678-9010. Please specify the dryer model number and serial number in addition to the description and part number, so that your order is processed accurately and promptly.

The illustrations on the following pages may not depict your particular dryer exactly. The illustrations are a composite of the various dryer models. Be sure to check the descriptions of the parts thoroughly before ordering.

INSTRUCTIONS TO BE FOLLOWED IN THE EVENT THE USER SMELLS GAS MUST BE POSTED IN A PROMINENT LOCATION. THE INSTRUCTIONS TO BE POSTED SHALL BE OBTAINED FROM THE LOCAL GAS SUPPLIER.

Table of Contents

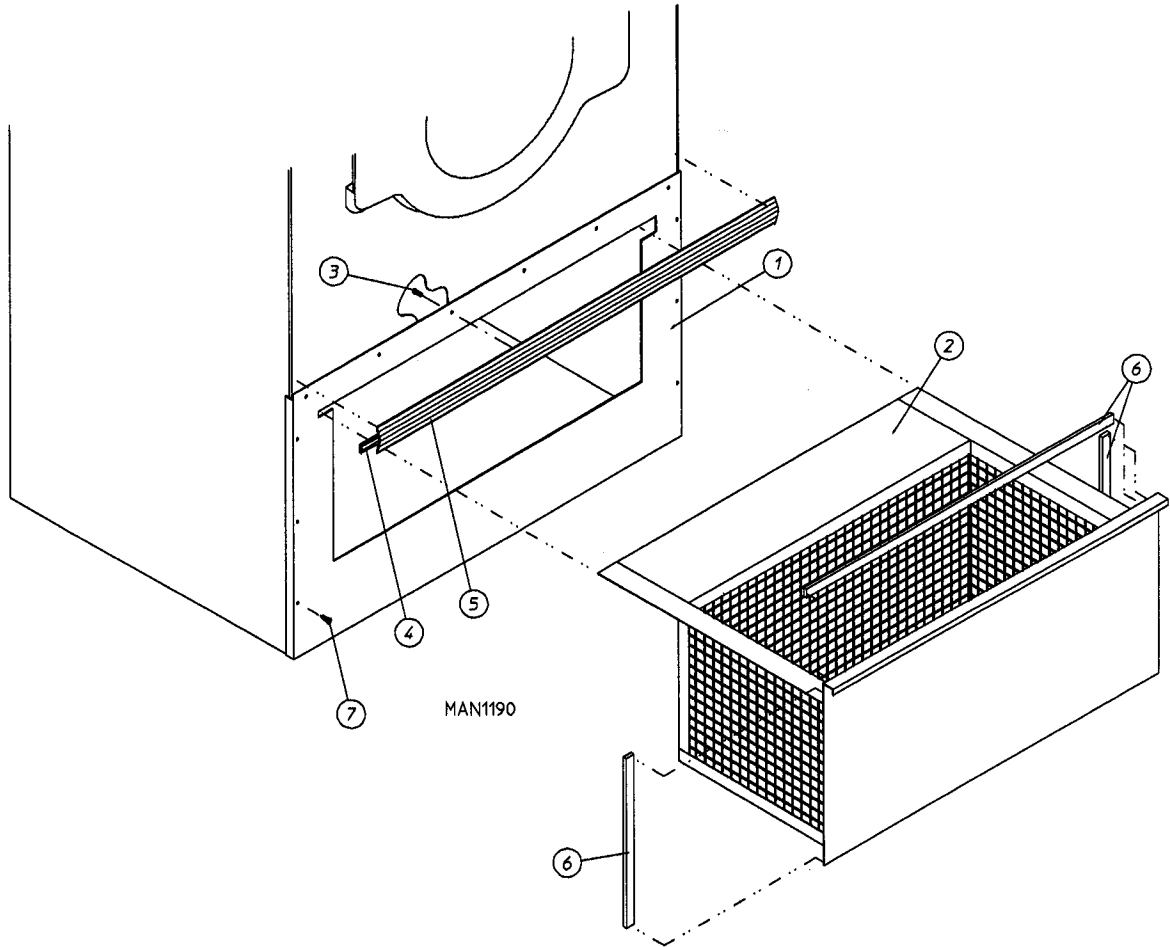
AD-80 High Security Control Door Assembly	2
AD-80 Lint Drawer/Door Assembly	3
AD-80 Lint Drawer/Lint Coop Assembly	4
AD-80 Lint Drawer Switch Assembly	5
Phase 5 Microprocessor Control Panel Assembly	6
Phase 5 Microprocessor Control Box Assembly	7
AD-80 Front Panel Assembly	8
Main Door Switch Housing	9
Main Door Assembly	10
AD-80 Basket (Tumbler)/Support Assemblies	11
Idler Bearing Assembly	12, 13
Tumbler Bearing Assembly	14, 15
Reversing Totally Enclosed, Fan-Cooled (T.E.F.C.) Motor Mount Assembly	16, 17
ADG-80 Direct Spark Ignition (DSI) Upshot Burner Assembly	18, 19
ADS-80 Air operated Steam Damper Assembly	20, 21
AD-80 Sensor Bracket Assembly	22
Sail Switch Assembly	23
Microprocessor Reversing Rear Control Box Assembly	24
AD-80 Outer Top/Back Guard Assemblies	25
Additional Parts Available	26



Illus. No.	Part No.	Qty.	Description
1	160017	1	Special Dummy Lock ONLY
2	160016	1	Lock Cam ONLY
3	112350*	1	ADC Logo ONLY
	870011	1	Double Sided Tape Kit ONLY
4	800020**	1	AD-80 High Security Control Door Assembly (includes illus. nos. 4 through 7)
	800144	1	AD-80 Stainless Steel High Security Control Door Assembly (includes illus. nos. 4 through 7)
5	180202	1	AD-80 Top Trim Strip with Lock Hole (38-1/4" length)
6	102307	3	Trim Bumper Gasket (sold in feet)
7	150201	6	#10-32 x 1/4" Phillips Round Head Machine Screw
8	150300	4	#10 x 1/2" Hex Washer TEK Screw
9	102600	1	Control Door Rod Support Catch
10	102601	1	Control Door Rod Retainer Clip
11	102502	1	Control Door Support Rod
12	122116	1	Switch - 24 VAC (for models mfd. as of May 5, 1993)
13	323635	1	Switch Box Cover (for models mfd. as of May 5, 1993)
14	150300	1	#16 x 1/2" Hex Washer TEK Screw (for models mfd. as of May 5, 1993)

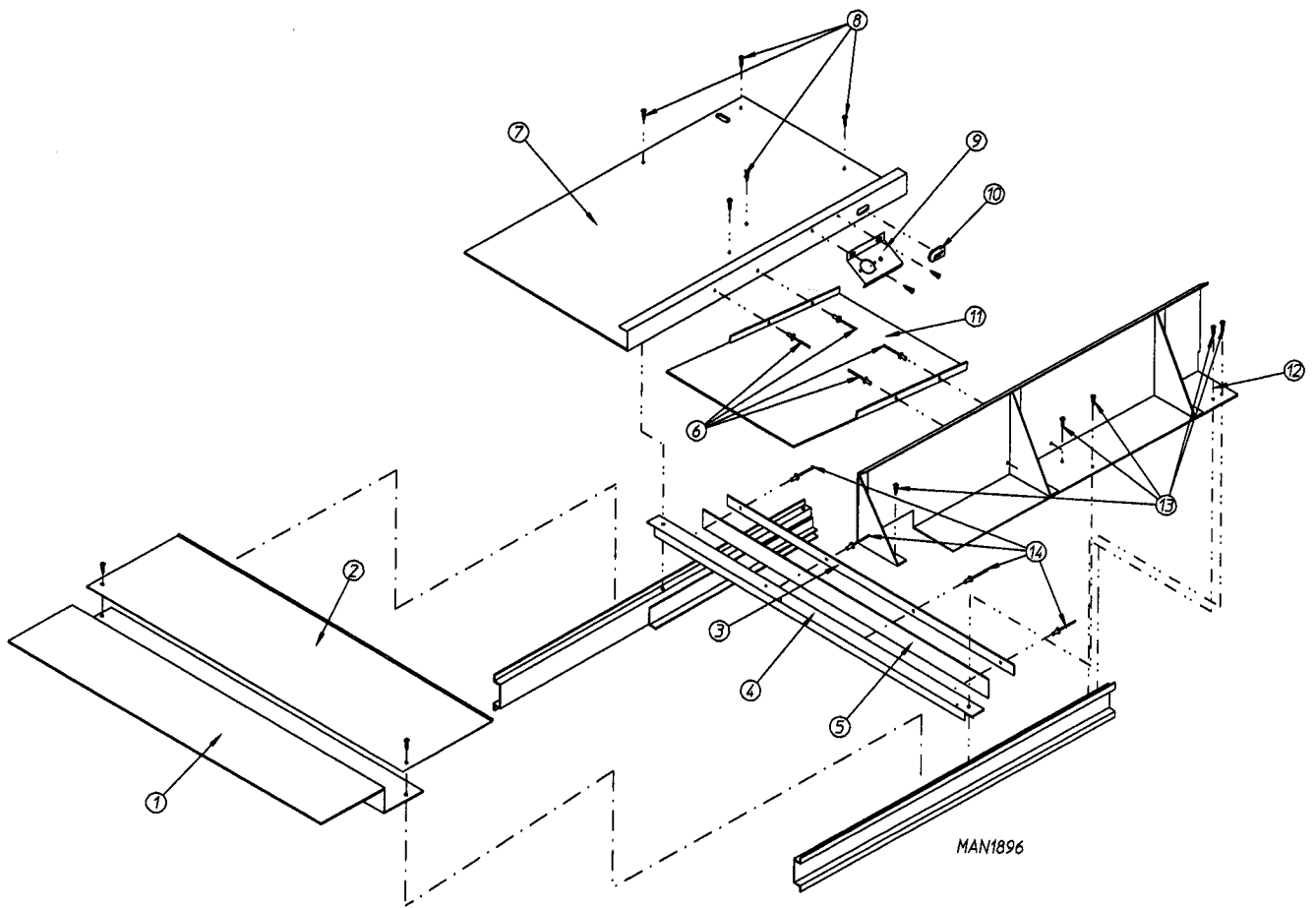
* Tape kit not included and **must be** ordered separately.

** Specify color when ordering.

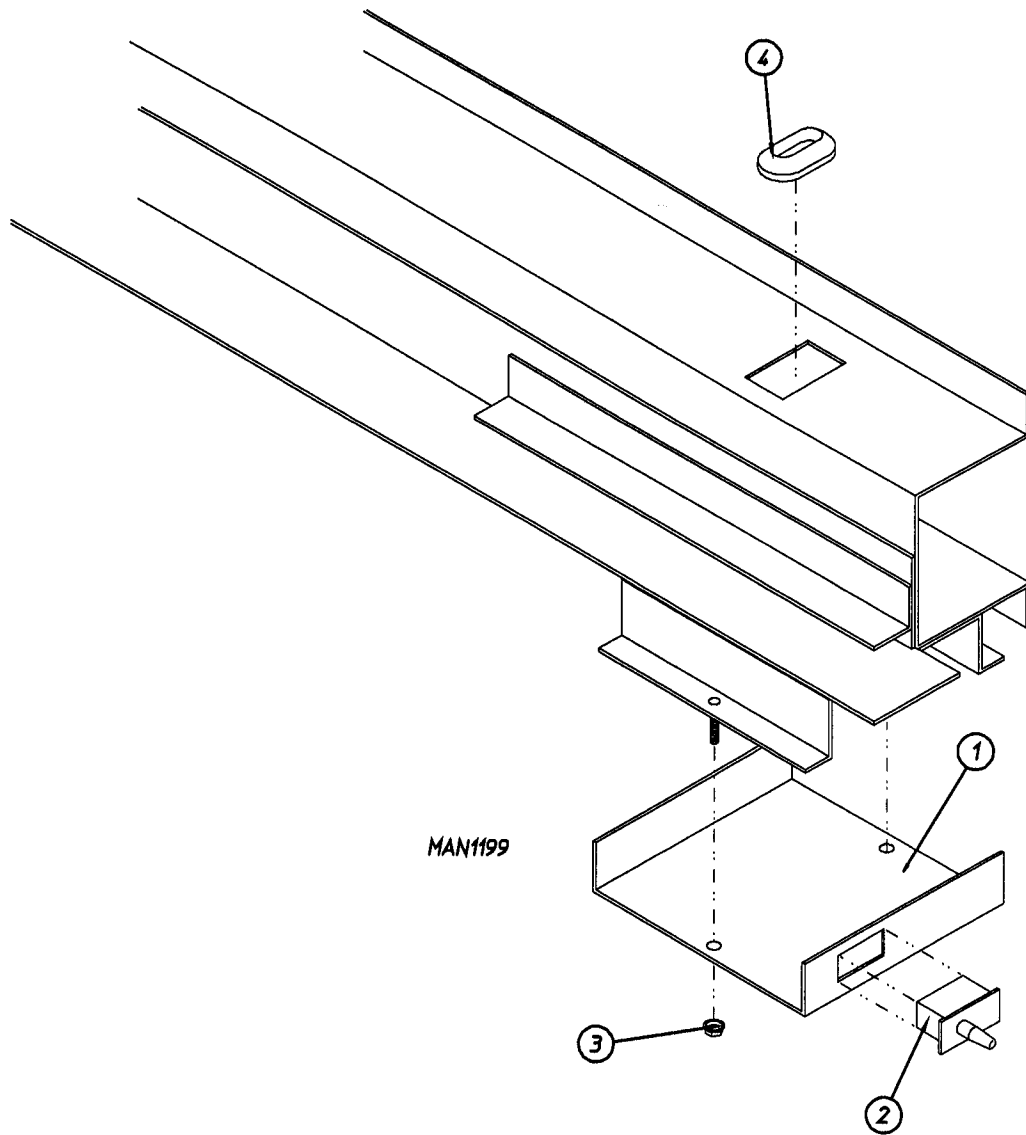


Illus. No.	Part No.	Qty.	Description
1*	880826	1	Lint Door Assembly (includes illus. nos. 1 and 3 through 5)
2*	880840	1	AD-80 Lint Drawer Assembly
3	150201	6	10-32 x 1/4" Phillips Pan Head TEK Screw
4	102307	3	Trim Bumper Gasket
5	180212	1	Mid Trim Kick Plate (38-1/4" long)
6	117600	6	Noise Suppressor Tape (sold in feet)
7	150415	6	#10-16 x 1/2" Phillips Round Head Crimptite Screw

* Specify color when ordering.

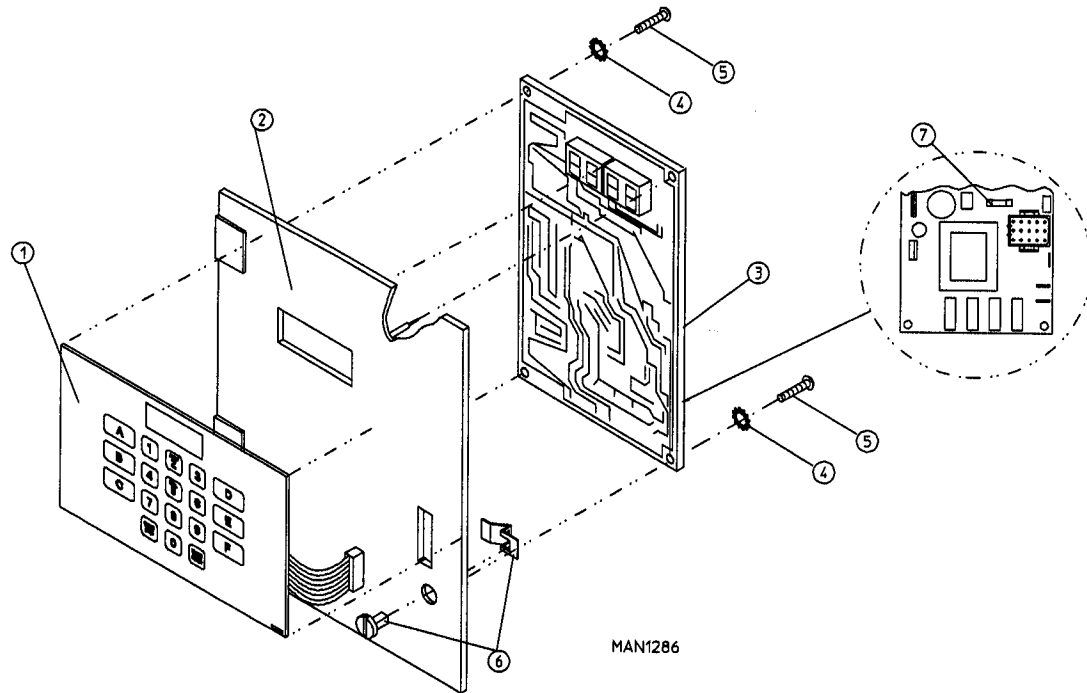


Illus. No.	Part No.	Qty.	Description
1	881017	1	Lint Back Cover
2	881018	1	Felt Stiffener
3	881019	1	Felt Retainer
4	881020	1	Wrapper Middle Support
5	115993	1	Lint Drawer Felt (sold in feet)
6	154200	4	5/32" Pop Rivet
7	881021	1	Right Side Lint Wall
8	150300	5	#10 x 1/2" Hex Washer TEK Screw
9	323626	1	AD-80 Temperature Sensor Bracket ONLY (refer to AD-80 Temperature Sensor Bracket Assembly on page 22)
10	121405	1	Large Rubber Grommet ONLY
11	881022	1	Middle Lint Wall
12	802163	1	Left Side Lint Wall
13	150300	5	#10 x 1/2" Hex Washer TEK Screw
14	154200	4	#5/32 Pop Rivet



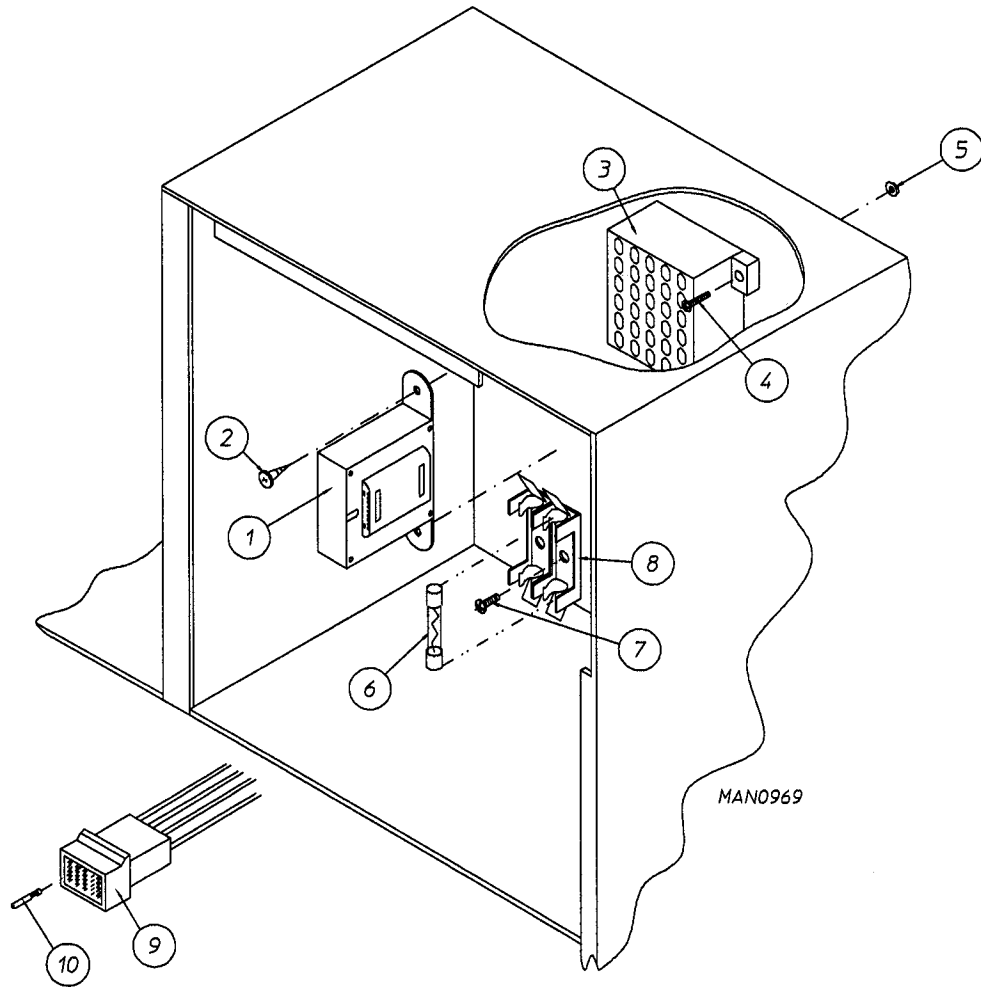
<u>Illus. No.</u>	<u>Part No.</u>	<u>Qty.</u>	<u>Description</u>
-------------------	-----------------	-------------	--------------------

1	323635	1	AD-80 Lint Drawer Switch Cover
2	122116	1	AD-80 Lint Drawer Switch
3	151001	2	#8-32 Pal Nut
4	121405	1	Large Rubber Grommet



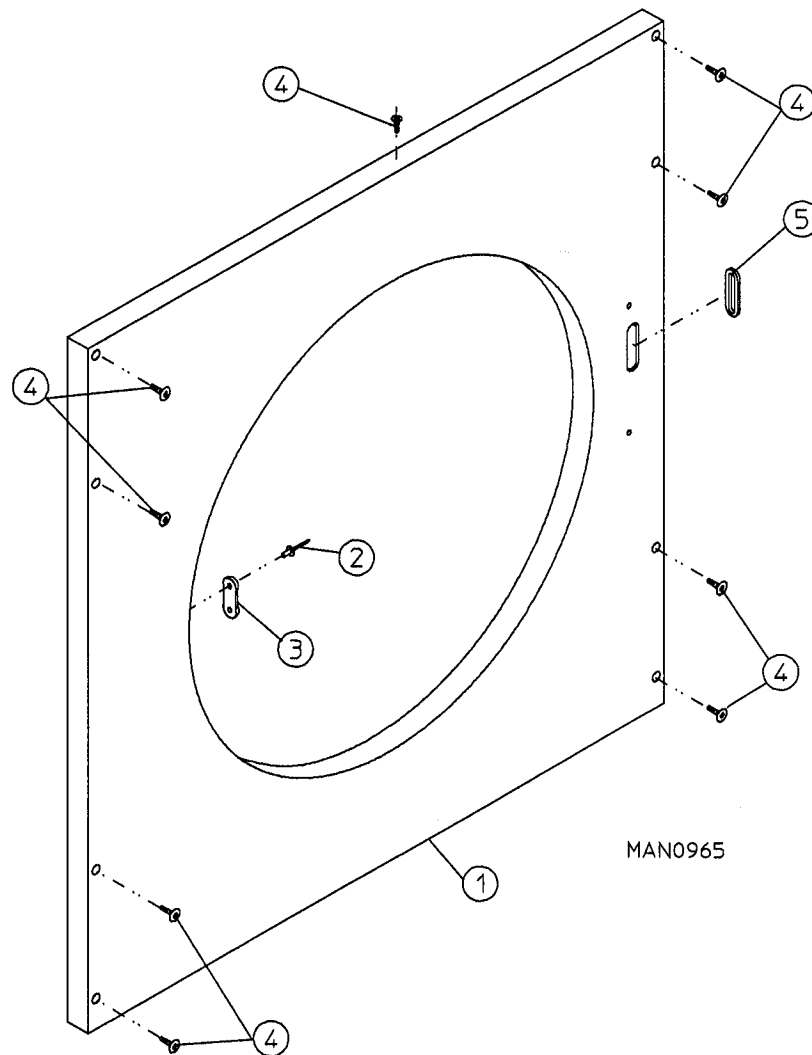
Illus. No.	Part No.	Qty.	Description
1	112535	1	OPL English Keyboard Label Assembly
	112276	1	OPL Stick-on Labels (English Only) ... Not Illustrated
	112275	1	OPL Stick-on Labels (Spanish, Italian, and Hebrew) ... Not Illustrated
	112277	1	3-Language OPL Stick-on Labels (English, Spanish, and Hebrew) ... Not Illustrated
	112278	1	5-Language OPL Stick-on Labels (Italian, Dutch, French, German, and Chinese) ... Not Illustrated
	2	801255	1
801256		1	Phase 5 Microprocessor Control Panel ONLY with Battery Bracket
801207		1	Phase 5 OPL Reversing Microprocessor Control Panel Assembly Complete (includes illus. nos. 1 through 6)
824459		1	Phase 5 OPL Reversing Microprocessor Control Panel Assembly with Battery Option Complete (includes illus. nos. 1 through 6)
3	137231	1	Phase 5 OPL Reversing Controller ONLY
	824998	1	Phase 5 Battery Clip
4	153010	2	#6 Star Washer
5	150005	2	#6-32 x 1/4" Phillips Round Head Machine Screw
6	160005	1	Spring Turn Latch (2-piece)
7	136048	1	1/8-Amp Fuse ONLY

IMPORTANT: Check label on computer chip to verify correct part number for controller.



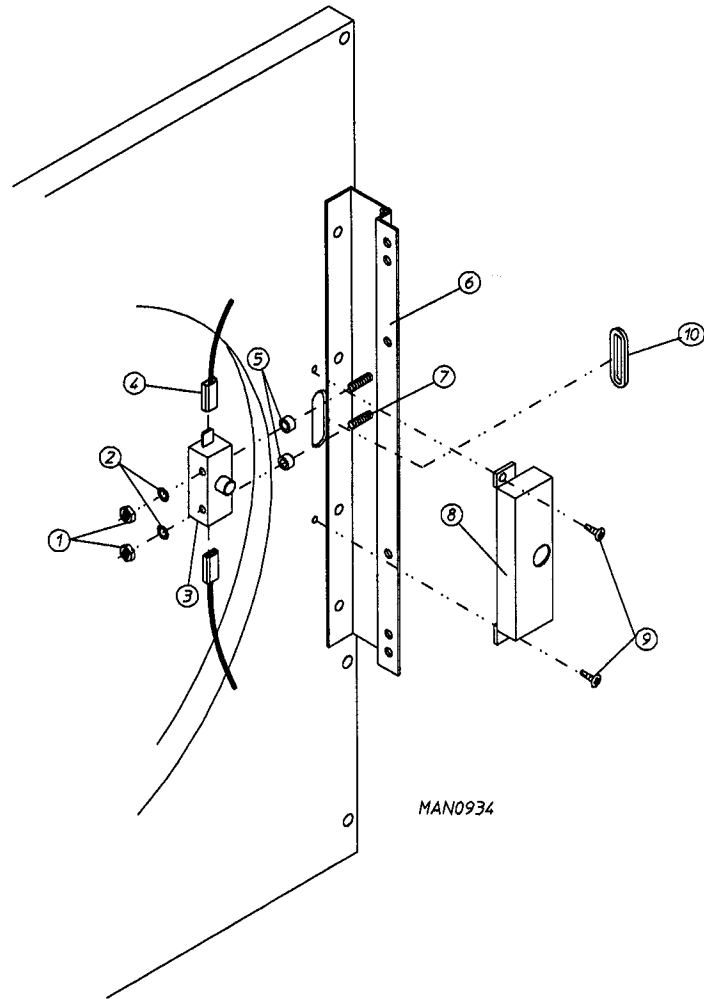
<u>Illus. No.</u>	<u>Part No.</u>	<u>Qty.</u>	<u>Description</u>
1	141403	1	24 VAC Transformer (for 60 Hz Models ONLY)
	132023	1	24 VAC Transformer (for 50 Hz Models ONLY)
2	150300	2	#10 x 1/2" Hex Washer TEK Screw
3	120715	1	30-Position Terminal Block
4	150002	2	#6-32 x 1" Phillips Round Head Screw
5	151000	2	#6-32 Pal Nut
6	136057	*	1/2-Amp (Slo Blo) Fuse ONLY
7	150301	*	#8-18 x 7/16" Phillips Pan Head TEK Screw
8	136008	*	Fuse Block/Strip
9	122641	1	15-Pin Microprocessor Connector
10	122706	*	Socket ONLY

* As required.

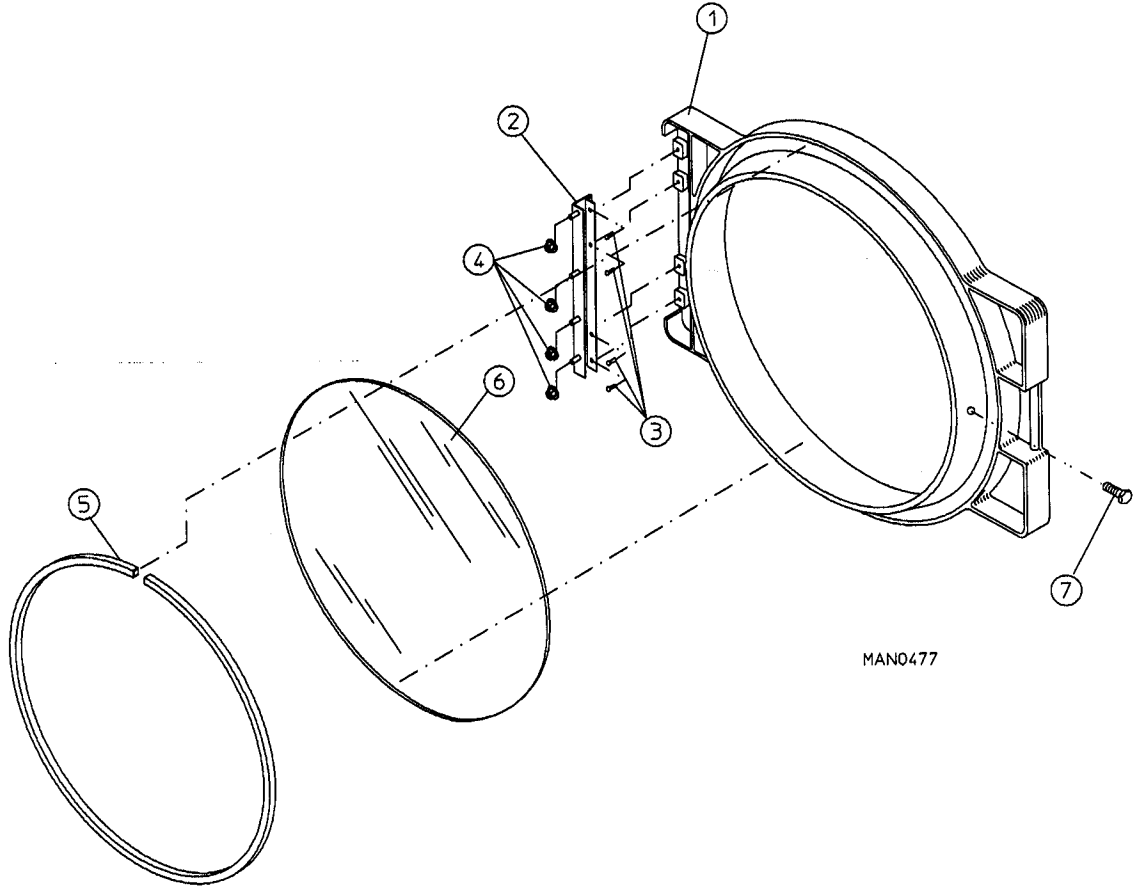


Illus. No.	Part No.	Qty.	Description
1*	880817	1	AD-80 R.H. Insulated Front Panel Assembly Complete (includes illus. nos. 1, 2, and 3)
	880816	1	AD-80 L.H. Insulated Front Panel Assembly Complete (includes illus. nos. 1, 2, and 3)
2	154215	2	5/32" x 1/4" Pop Rivet
3	170330	1	Friction Door Latch
4	150415	9	#10-16 x 1/2" Phillips Round Head Crimptite Screw
5	121405	1	Large Rubber Grommet

* Specify color when ordering.



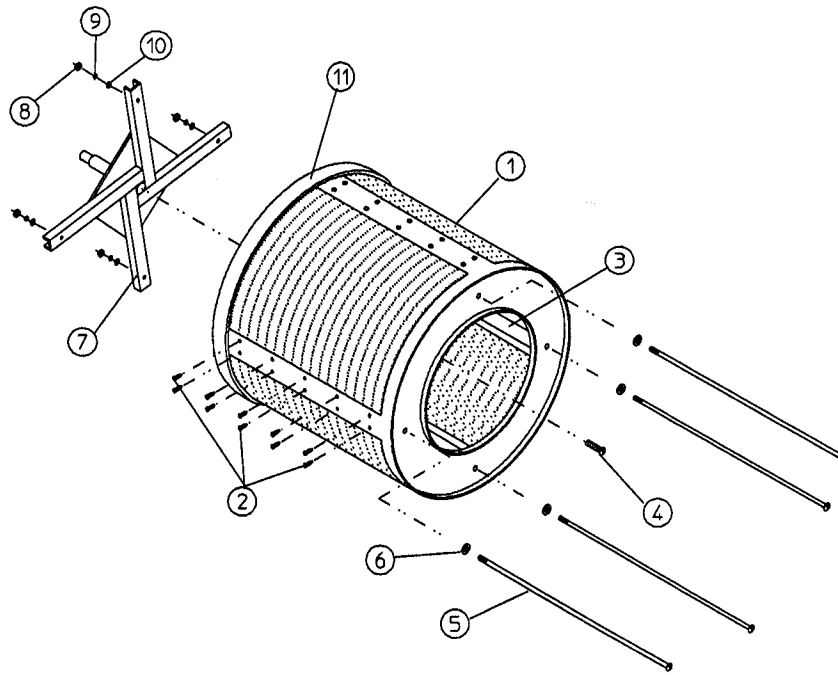
Illus No.	Part No.	Qty.	Description
1	152013	2	#6-32 Hex Nut
2	153008	2	#6 Lock Washer
3	137005	1	Single-Pole Door Switch ONLY
4	121028	2	Insulated Female Terminal
5	154281	2	3/8" Standard Nylon Spacer
6	800448	1	12-1/2" Stainless Steel Main Door Hinge Assembly (includes illus. nos. 6 and 7)
7	153565	2	#6-32 x 1" Self Clinching Stud
8	313218	1	Main Door Switch Housing ONLY
9	150201	2	#10-32 x 1/4" Phillips Pan Head TEK Screw
10	121405	1	Rubber Grommet



MAN0477

Illus. No.	Part No.	Qty.	Description
------------	----------	------	-------------

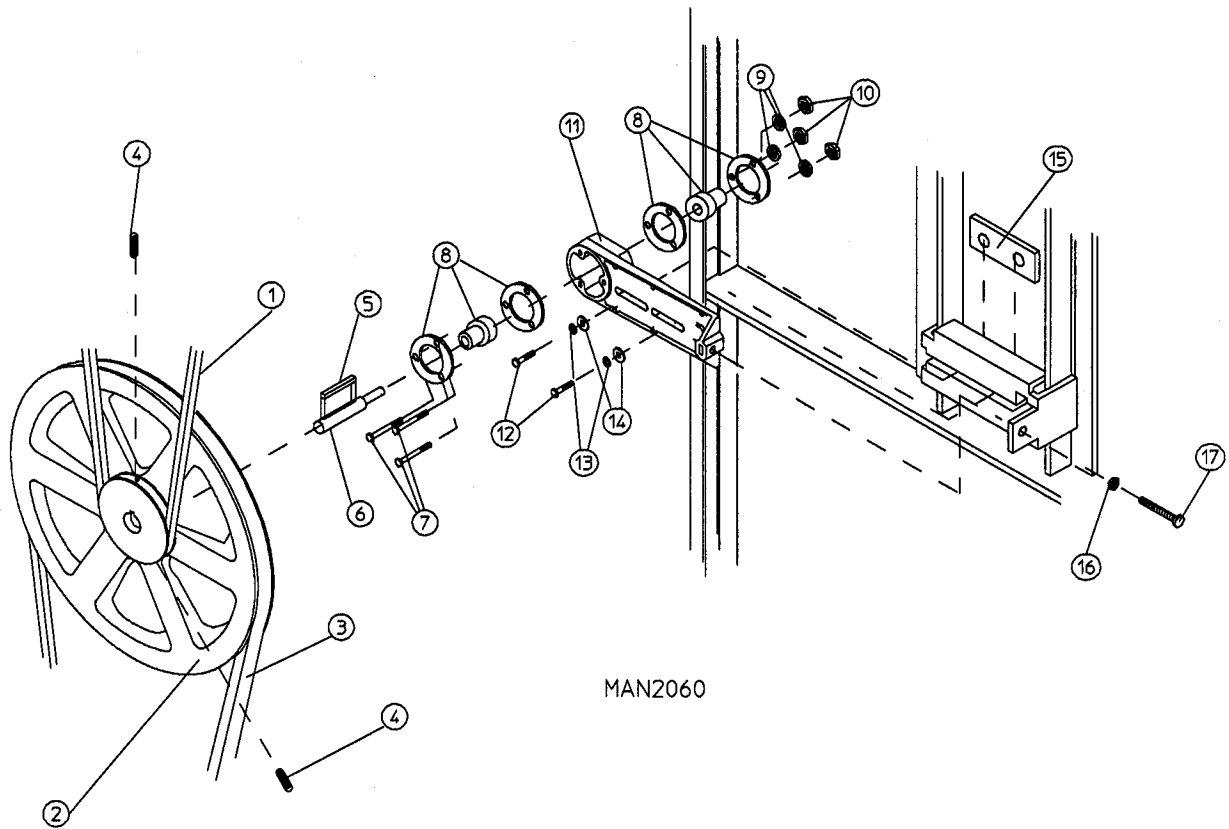
1	800285	1	Gray Main Door Assembly Complete (includes illus. nos. 1, 5, 6, and 7)
2	800448	1	12-1/2" Stainless Steel Main Door Hinge Assembly
3	150410	4	#10-24 x 3/8" Phillips Pan Head Taptite Screw
4	152014	4	#1/4-20 Free Spin Wash Nut
5	102353	1	69-1/2" Main Door Gasket
6	102210	1	20-7/16" Door Glass
	170730	1	Glass Adhesive (10.3 oz. cartridge)
7	150431	1	Main Door Latch Screw (#10 x 7/16" dome hex head screw)



MAN0251

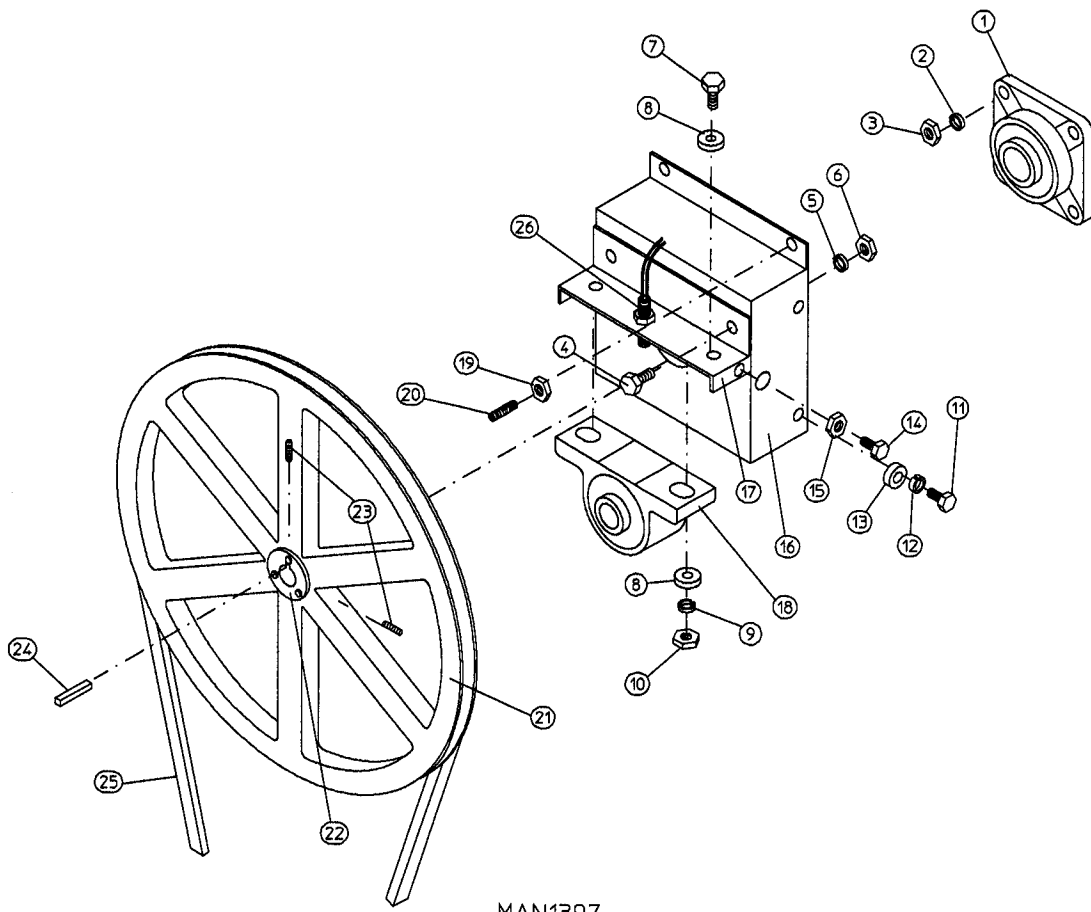
Illus. No.	Part No.	Qty.	Description
1	880818*	1	AD-80 Basket (Tumbler) ONLY without Felt Collar (includes illus. nos. 1, 2, and 3)
	880827	1	AD-80 Reversing Basket Tumbler and Support Assembly Complete (includes illus. nos. 1 through 11)
2	154210	40	5/32" x 3/16" Pop Rivet
3	301308	4	AD-80 Basket (Tumbler) Rib ONLY
4	150500	1	#5/16-18 x 3/4" Socket Button Head Screw
5	100905	4	#3/8-16 x 37" Tie Rod
6	153004	4	3/8" Flat Washer
7	800615	1	AD-80 Reversing Basket (Tumbler) Support ONLY
8	152005	4	3/8" Hex Nut
9	153005	4	3/8" Lock Washer
10	153004	4	3/8" Flat Washer
11	116000	1	Felt Collar ONLY
---	401010	1	#847 Adhesive For Felt Collar (5 oz. tube)

* Felt collar not included and must be ordered separately.



MAN2060

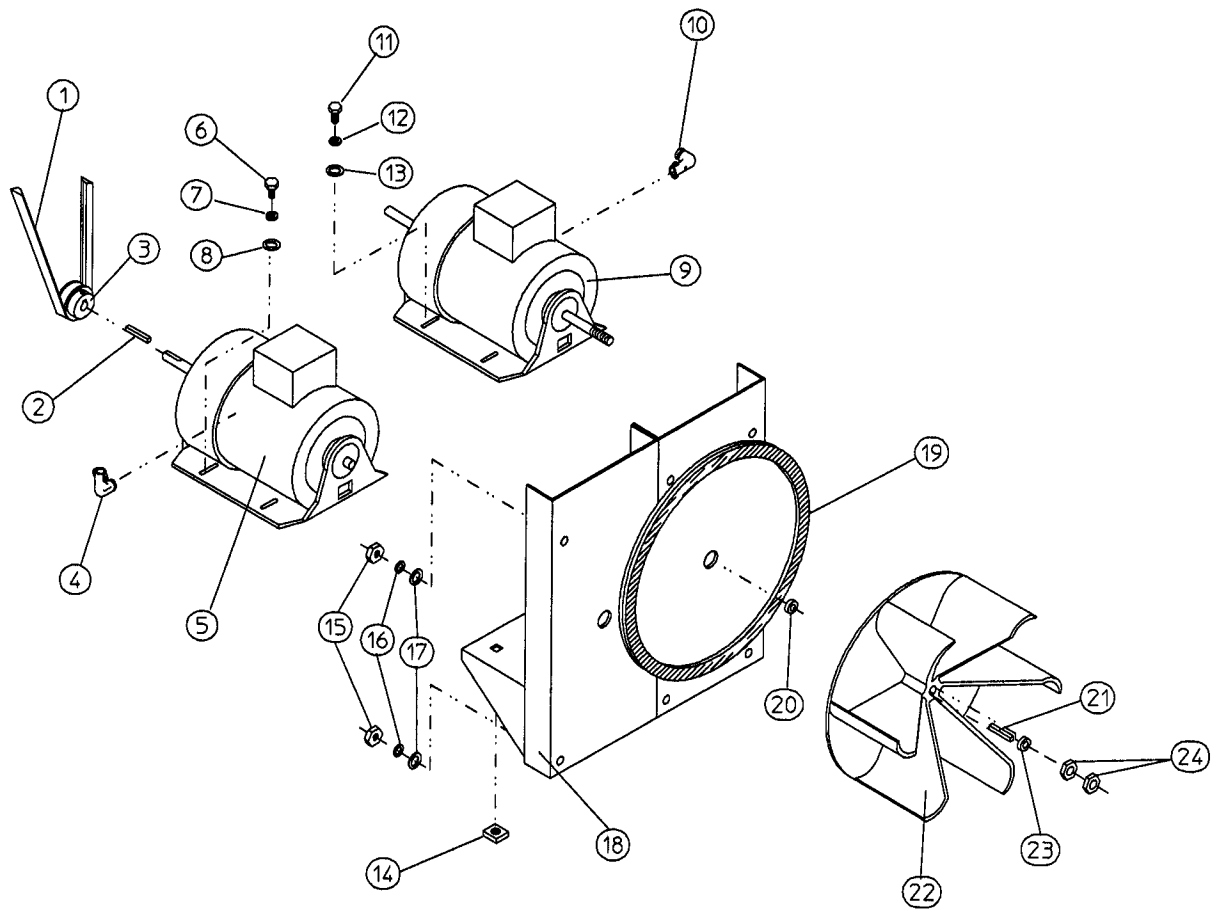
<u>Illus. No.</u>	<u>Part No.</u>	<u>Qty.</u>	<u>Description</u>
1	100106	1	5L690 "V" Belt (basket/tumbler to idler)
2	101140	1	14" x 3" Compound Pulley
3	100114	1	4L630 "V" Belt (idler to motor)
4	154301	2	#5/16-18 x 5/16" Allen Set Screw
5	100705	1	3/16" x 3/16" x 1-3/8" Key
6	301850	1	5/8" x 3/4" Idler Shaft
7	150529	3	#1/4-20 x 2-1/4" Carriage Bolt
8	100214	2	5/8" Flange Bearing
9	153007	3	1/4" Lock Washer
10	152002	3	#1/4-20 Hex Nut
11	801007	1	Idler Bearing Assembly Complete (includes illus. nos. 5 through 17)
12	150617	2	#3/8-16 x 1" Hex Head Machine Bolt
13	153005	2	3/8" Lock Washer
14	153004	2	3/8" Flat Washer
15	801009	1	Idler Square Washer
16	152004	1	#5/16-18 Hex Nut
17	150509	1	#5/16-18 x 3" Hex Head Machine Bolt



MAN1397

<u>Illus. No.</u>	<u>Part No.</u>	<u>Qty.</u>	<u>Description</u>
1	100220	1	1-3/4" Flange Bearing ONLY
2	153025	4	9/16" Lock Washer
3	152050	4	#9/16-12 Hex Nut
4	150508	2	#3/8-16 x 3/4" Hex Head Machine Bolt
5	153005	2	3/8" Lock Washer
6	152005	2	#3/8-16 Hex Nut
7	150600	2	#3/8-16 x 1-1/2" Hex Head Machine Bolt
8	153004	*	3/8" Flat Washer
9	153005	2	3/8" Lock Washer
10	152005	2	#3/8-16 Hex Nut
11	150501	4	#5/16-18 x 3/4" Hex Head Machine Bolt
12	153002	4	5/16" Lock Washer
13	153001	4	5/16" Flat Washer
14	150621	2	#5/16-18 x 1-1/2" Hex Head Machine Bolt
15	152004	2	#5/16-18 Hex Nut
16	801101	1	1-3/8" Bearing Box Assembly Complete (includes illus. nos. 4 through 20) For models <i>without</i> rotation sensor option
	801103	1	1-3/8" Bearing Box and Support ONLY (includes illus. nos. 4, 5, 6, 16, and 17)
	801105	1	1-3/8" Bearing Box ONLY
17	801104	1	Pillow Block Bearing Support ONLY
18	880779	1	1-3/8" Pillow Block Bearing Assembly with Magnet (for models mfd. as of April 5, 1993)
	100202	1	1-3/8" Pillow Block Bearing ONLY (for models mfd. prior to April 5, 1993)
19	152004	2	#5/16-18 Hex Nut
20	150610	2	#5/16-18 x 1-1/2" Allen Set Screw
21	101118	1	18-3/4" Pulley
22	101119	1	1-3/8" Taper Lock Hub (key not included)
23	154301	2	#5/16-18 x 5/16" Allen Set Screw
24	100735	1	Shaft Key (for taper lock hub)
25	100106	1	5L690 "V" Belt (to idler assembly)
26	824807	1	Rotation Sensor Assembly (for models mfd. as of April 5, 1993)

* As required.

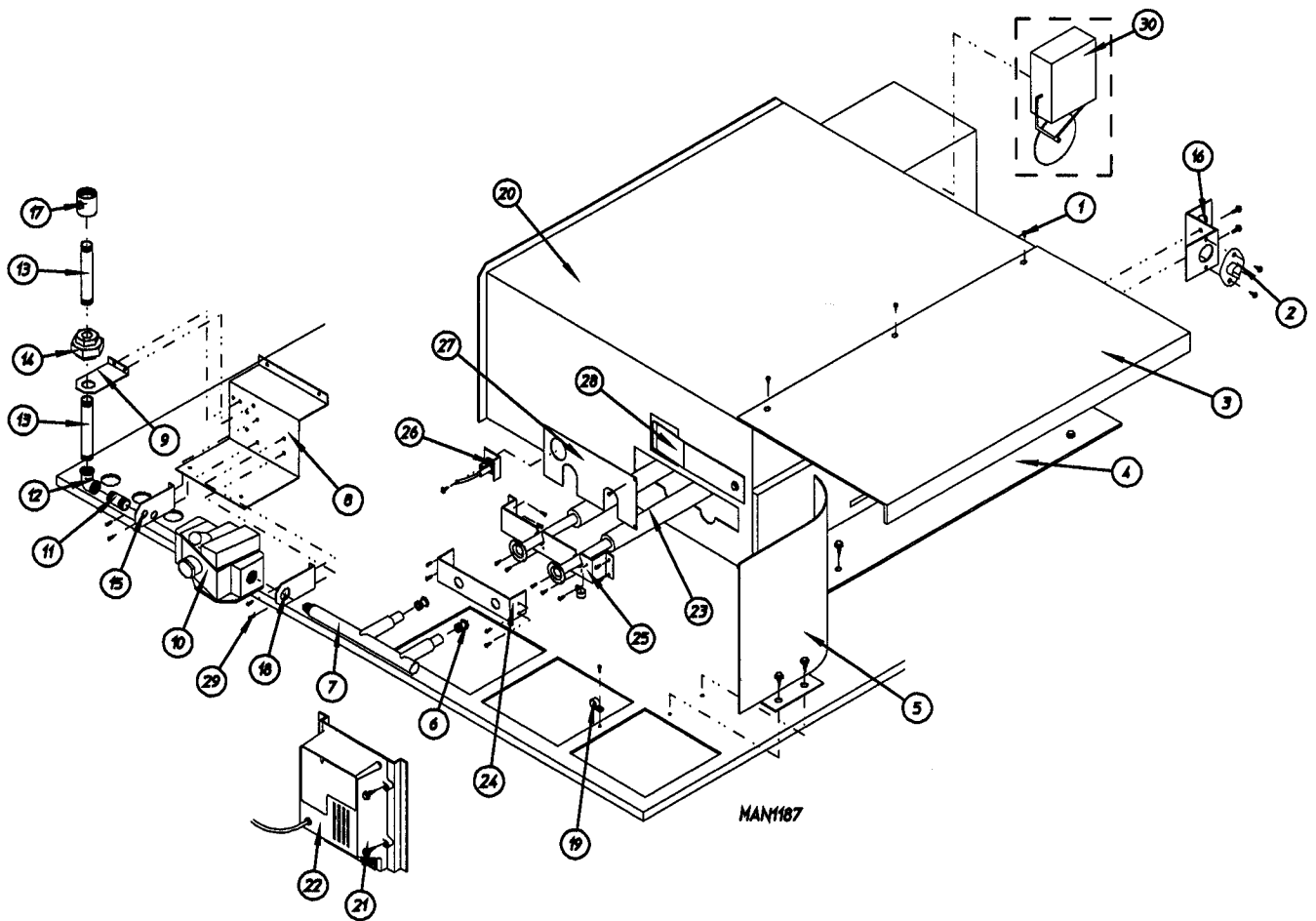


MAN0250

<u>Illus. No.</u>	<u>Part No.</u>	<u>Qty.</u>	<u>Description</u>
1	100114	1	4L630 "V" Belt (to idler assembly)
2	100701	1	3/16" x 3/16" x 1" Key
3	101130	1	5/8" x 2-1/2" Motor Pulley (for 60 Hz ONLY)
	101139	1	5/8" x 2-3/4" Motor Pulley (for 50 Hz ONLY)
4	120200	1	3/8" x 90° Connector
5	181003	1	1/2 HP 208/230/380/460v 50/60 Hz 3ø T.E.F.C. Motor (56Z frame)
6	150501	4	#5/16-18 x 3/4" Hex Head Machine Bolt
7	153002	4	5/16" Lock Washer
8	153001	4	5/16" Flat Washer
9*	100023	1	3HP 220/230/380/460v 50/60 Hz 3ø T.E.F.C. Motor with 3/4" Shaft (56Z frame)
10	120200	1	3/8" x 90° Connector
11	150501	4	#5/16-18 x 3/4" Hex Head Machine Bolt
12	153002	4	5/16" Lock Washer
13	153001	4	5/16" Flat Washer
14	154000	8	5/16" Tinnerman Nut
15	152004	7	5/16" Hex Nut
16	153002	7	5/16" Lock Washer
17	153001	7	5/16" Flat Washer
18	800920	1	UD-80 Reversing Motor Mount ONLY (56Z frame)
	803959	1	60 Hz Reversing T.E.F.C. Motor Mount Assembly Complete (includes illus. nos. 2 through 14 and 18 through 24)
	803964	1	50 Hz Reversing T.E.F.C. Motor Mount Assembly Complete (includes illus. nos. 2 through 14 and 18 through 24)
19	117600	5	Noise Suppressor Tape (sold in feet)
20	153051	1	3/4" S.A.E. Flat Washer
21	100705	1	3/16" x 3/16" x 1-3/8" Key
22	100605	1	13" Impellor (fan) with 5/8" Bore
23	153050	**	1/2" S.A.E. Flat Washer
24	152006	2	1/2-20 Left Hand Jam Nut

* Check part number on motor data label to verify correct motor.

** As required.

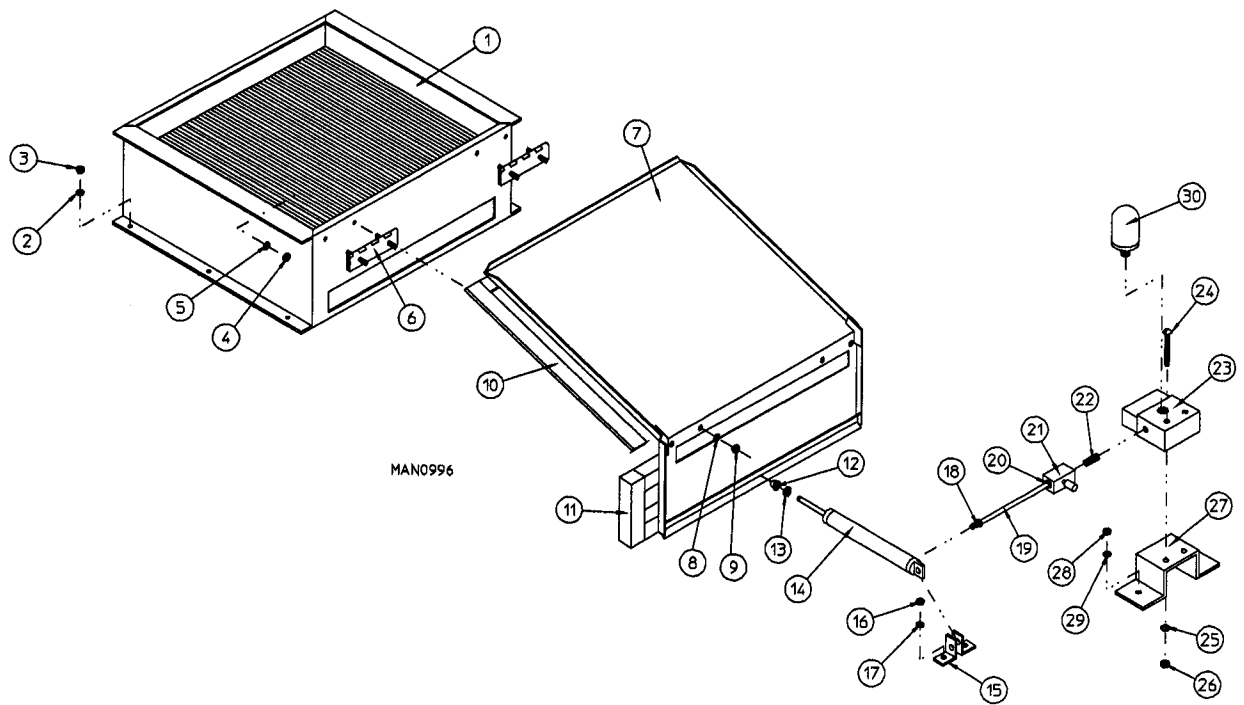


Illus. No.	Part No	Qty	Description
1	150300	19	#10 x 1/2" Hex Washer TEK Screw
2	130401	1	330° Hi-Limit Thermostat ONLY
3	323643	1	Oven Top Cover
4	323641	1	Burner Front
5	323644	1	Oven Inlet Cover
6	140838*	2	#3 (Natural Gas) Burner Orifice (for 60 Hz models mfd. as of April 1, 1993)
	140840*	2	#1 (Natural Gas) Burner Orifice (for 60 Hz models mfd. prior to April 1, 1993)
	140819*	2	#30 (L.P. Gas) Burner Orifice (for 60 Hz models mfd. as of April 1, 1993)
	140821*	2	#28 (L.P. Gas) Burner Orifice (for 60 Hz models mfd. prior to April 1, 1993)
	140840*	2	#1 (Natural Gas) Burner Orifice (for 50/60 Hz models mfd. prior to August 20, 1992)
	140821*	2	#28 (L.P. Gas) Burner Orifice (for 50/60 Hz models mfd. prior to August 20, 1992)
	140832*	1	#4 (Natural Gas) Burner Orifice (for 50 Hz models mfd. as of August 20, 1992)
	140834*	1	#5 (Natural Gas) Burner Orifice (for 50 Hz models mfd. as of August 20, 1992)

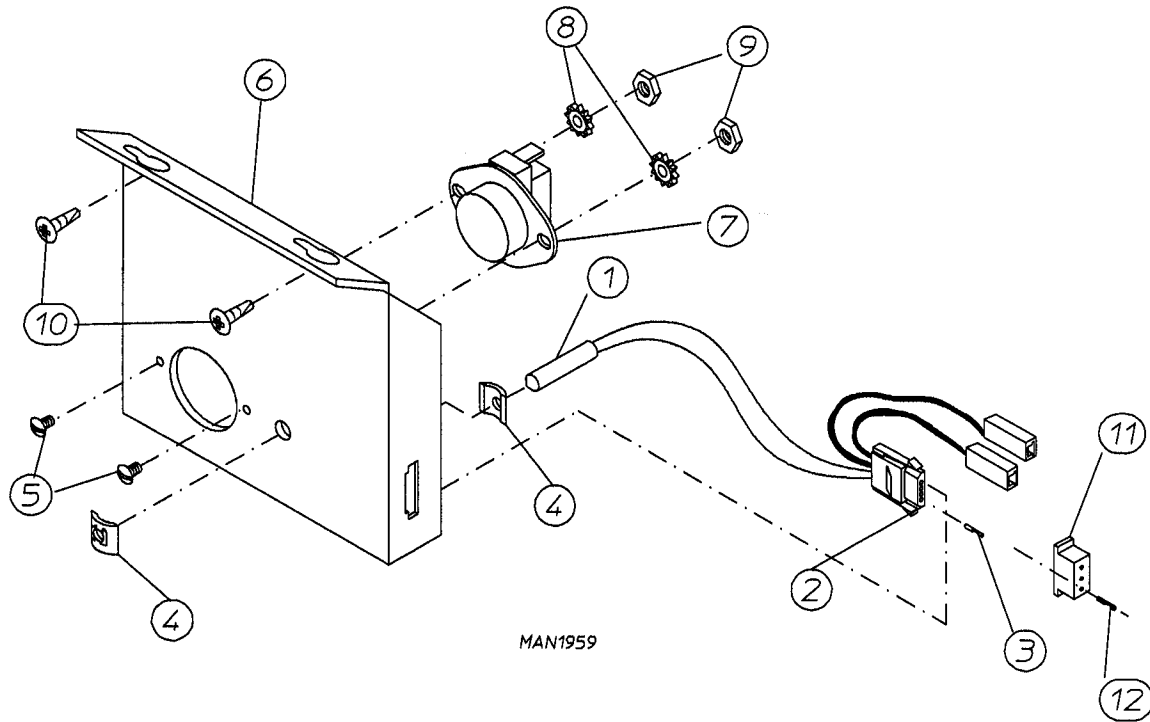
Illus. No.	Part No	Qty	Description
	140819*	1	#30 (L.P. Gas) Burner Orifice (for 50 Hz models mfd. as of August 20, 1992)
	140818*	1	#31 (L.P. Gas) Burner Orifice (for 50 Hz models mfd. as of August 20, 1992)
7	141247	1	1/2" 2-Port Swage Manifold (for models mfd. as of August 20, 1992)
	141246	1	1/2" 2-Port Manifold (for models mfd. prior to August 20, 1992)
8	323642	1	Gas Valve Support Bracket
	880822**	1	Gas Valve (Natural Gas) Manifold Assembly (includes illus. nos. 7 through 15, 17, 18, and 29)
	880823**	1	Gas Valve (L.P. Gas) Manifold Assembly (includes illus. nos. 7 through 15, 17, 18, and 29)
9	332119	1	1-3/8" Hole Pipe Bracket
10	128928	1	1/2" 24 VAC Redundant (Natural Gas) DSI Gas Valve (for models mfd. as of August 20, 1992)
	140411	1	1/2" Valve (L.P. Gas) Conversion Kit (for models mfd. as of August 20, 1992)
	140017	1	1" 24 VAC (Natural Gas) DSI Gas Valve (for models mfg. prior to August 20, 1992)
	140018	1	1" Valve (L.P. Gas) Conversion Kit (for models mfg. prior to August 20, 1992)
11	142715	1	1/2" x 1/2" Nipple
12	142923	1	1" x 1/2" Reducing Elbow
13	142808	2	1" x 3" Nipple
14	142602	1	1" Black Union
15	318317	1	7/8" Hole Pipe Bracket
16	319712	1	Burner Hi-Limit Bracket
17	141302	1	1" Shut-off Valve
18	331291	1	1-1/8" Hole Pipe Bracket
19	121492	2	3/16" Nylon Clamp
20	880824**	1	ADG-80 Burner Assembly Complete (includes illus. nos. 1 through 4, 16, and 23 through 28) <i>For 60 Hz Models ONLY</i>
	880825**	1	ADG-80 Burner Assembly Complete (includes illus. nos. 1 through 4, 16, and 23 through 28) <i>For 50 Hz Models ONLY</i>
21	150299	4	#10 x 1" Hex Washer TEK Screw
22	880815	1	Direct Spark Ignition (DSI) Module
23	141110	2	Burner Tube
24	323600	1	Manifold Retainer
25	323598	1	Burner Tube Holder
26	128915	1	Ignitor/Flame-Probe Assembly
27	323599	1	Burner Side Cover
28	323594	1	Burner Louver (for 60 Hz Models ONLY)
		2	Burner Louver (for 50 Hz Models ONLY)
29	150300	6	#10 x 1/2" Hex Washer TEK Screw
30	-----		Sail Switch Assembly (refer to Sail Switch Assembly on page 23)

* Consult factory for elevations over 2,000 feet.

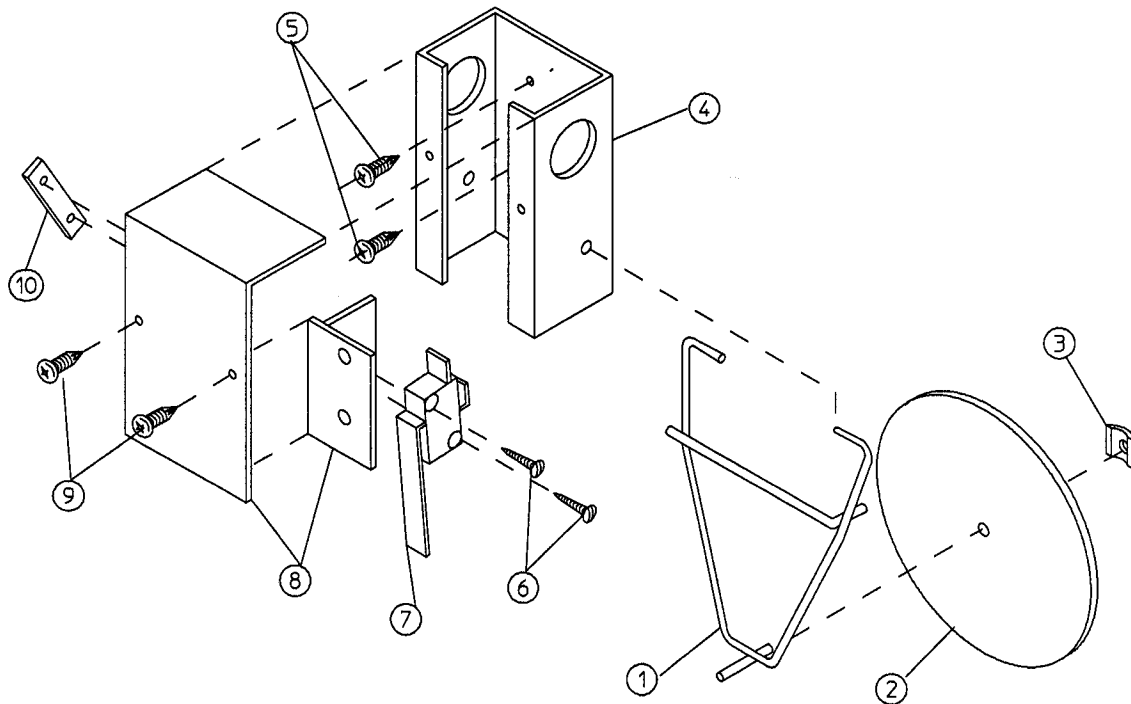
** Orifices are not included and must be ordered separately.



<u>Illus. No.</u>	<u>Part No.</u>	<u>Qty.</u>	<u>Description</u>
1	165009	1	ADS-80 Steam Coil Assembly ONLY
2	153002	6	5/16" Lock Washer
3	152004	6	#5/16-18 Hex Nut
4	152002	4	#1/4-20 Hex Nut
5	153007	4	1/4" Lock Washer
6	820321	2	ADS-80 Steam Damper Hinge Assembly ONLY
7	803415	1	ADS-80 Steam Damper Assembly (includes illus. nos. 7, 10, and 11)
8	153007	4	1/4" Lock Washer
9	152002	4	#1/4-20 Hex Nut
10	115995	108	Steam Damper Gasket (sold by the inch)
11	102350	1	Steam Damper Foam (68-1/2" length)
12	151007	1	#7/16-20 Stainless Steel Acorn Nut
13	152007	1	#7/16-20 Hex Nut
14	100497	1	1-1/4" Bore x 3" Stroke Piston
15	100492	1	Piston Support Bracket
16	152002	4	#1/4-20 Hex Nut
17	153007	4	1/4" Lock Washer
18	100472	1	1/4" x 1/8" Connector
19	143110	1	1/4" Tubing (sold in feet)
20	100472	1	1/4" x 1/8" Connector
21	100496	1	1/8" Needle Valve
22	143238	1	1/8" Close Nipple
23	100498	1	3-Way Micro Valve - 24 VAC
24	150002	2	#6-32 x 1" Slotted Head Machine Screw
25	153010	2	#6 Star Washer
26	152000	2	#6-32 Hex Nut
27	330987	1	Micro Valve Support Bracket
28	152002	2	#1/4-20 Hex Nut
29	153007	2	1/4" Lock Washer
30	100520	1	1/8" NPT Silencer (muffler)

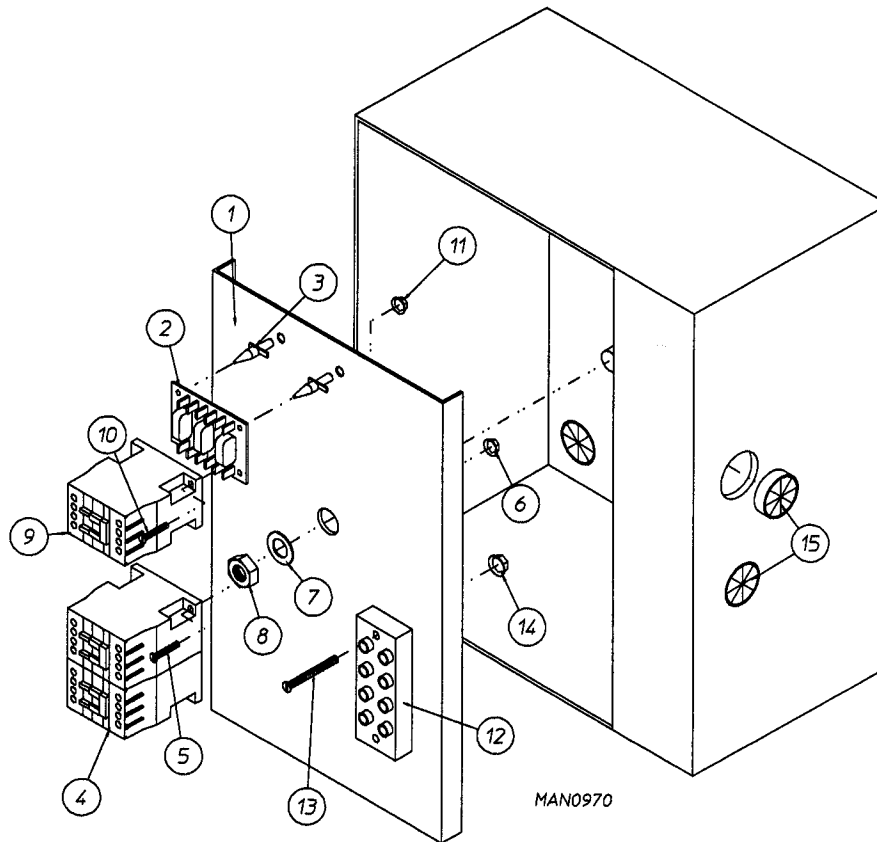


Illus. No.	Part No.	Qty.	Description
1	880251	1	1/4" Temperature Sensor Probe Assembly (includes illus. nos. 1 through 4)
2	122605	1	4-Pin Socket Connector ONLY
3	122701	4	Socket Terminal ONLY
4	154007	2	1/4" Tinnerman Push-on Fastener
5	150000	2	#6-32 x 1/4" Round Head Machine Screw
6	802174	1	AD-80 Sensor Bracket Assembly Complete (includes illus. nos. 1 through 9)
	323626	1	Temperature Sensor Bracket ONLY
7	130103	1	225° Large Automatic Thermostat
8	153010	2	#6 Star Washer
9	152000	2	#6-32 Hex Nut
10	150301	2	#8-18 x 7/16" Phillips Pan Head TEK Screw
11	122604	1	4-Pin Connector ONLY
12	122700	4	Pin Terminal ONLY
—	122801	1	Pin/Extraction Tool

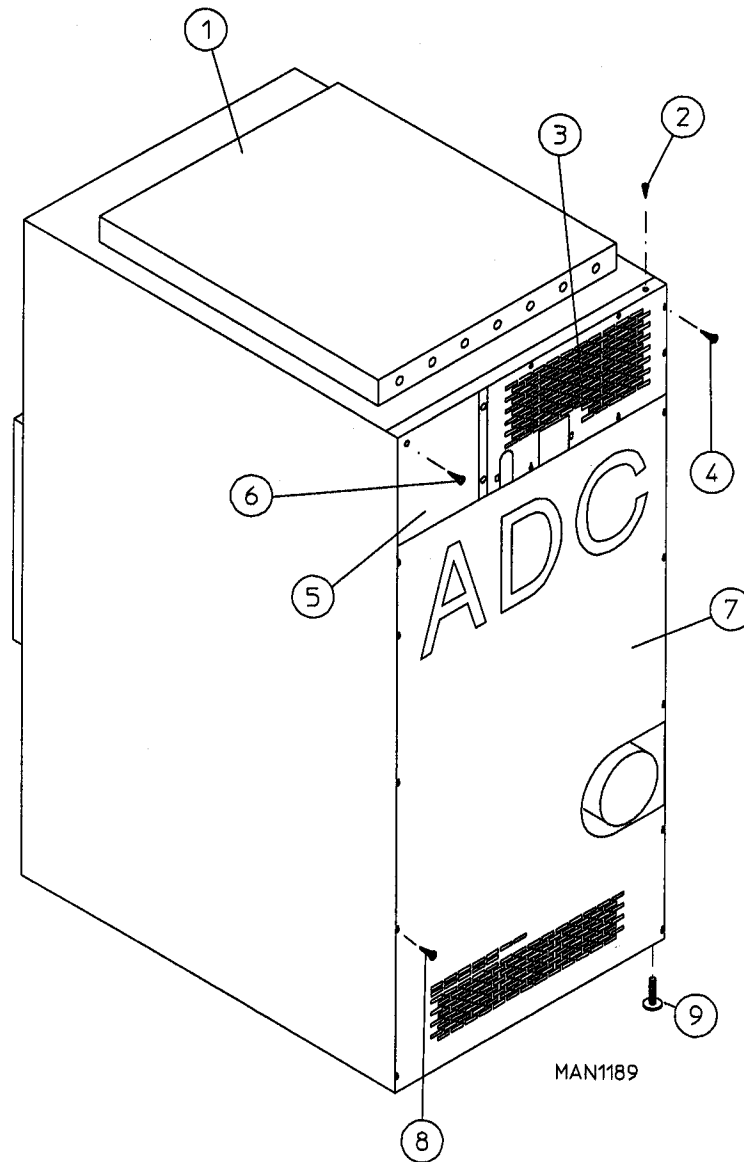


MAN0440

Illus. No.	Part No.	Qty.	Description
1	105500	1	Sail Switch Actuator Rod
2	319202	1	Sail Switch Damper (flat)
3	154002	1	1/8" Push-On Fastener
4	802800	1	Sail Switch Box with Cover and Bracket ONLY
	802801	1	Sail Switch Box Assembly Complete (includes illus. nos. 1 through 4 and 6 through 10)
5	150300	2	#10 x 1/2" Hex Washer TEK Screw
6	150303	2	#4 x 3/4" Pan Head "A" Machine Screw
7	122200	1	Sail Switch ONLY
8	802799	1	Sail Switch Box Cover and Bracket ONLY
9	150415	2	#10-16 x 1/2" Phillips Round Head Crimpite Screw
10	154004	1	Twin Speed Nut



Illus. No.	Part No.	Qty.	Description
1	322812	1	Back Electrical Box Component Plate
2	137060	1	Arc Suppressor Board ONLY
3	137013	4	Nylon Standoff
4	132431	1	Reversing Contactor (208/230/240v, 50/60Hz) 24 VAC Coil
	132432	2	Reversing Contactor Replacement Coil (208/230/240v, 50/60Hz) 24 VAC Coil
5	150103	2	#8-32 x 3/4" Phillips Round Head Machine Screw
6	151001	2	#8-32 Pal Nut
7	153002	1	5/16" Lock Washer
8	152004	1	#5/16-18 Hex Nut
9	132445	1	3 HP Contactor ONLY
10	150103	2	#8-32 x 3/4" Phillips Round Head Machine Screw
11	151001	2	#8-32 Pal Nut
12	120701	1	4-Position Terminal Block
13	150008	2	#6-32 x 1-1/4" Slotted Round Head Machine Screw
14	151000	2	#6-32 Pal Nut
15	121300	3	Open/Close Bushing
—	322809	1	Back Electrical Box Cover ... Not Illustrated
—	150301	4	#8-18 x 7/16" Phillips Pan Head TEK Screw ... Not Illustrated



Illus. No.	Part No.	Qty.	Description
1	802153	1	AD-80 Outer Top Assembly (for Gas Models ONLY)
2	150301	8	#8-18 x 7/16" Phillips Pan Head TEK Screw
3	314510	1	AD-80 Top Back Guard
4	150301	6	#8-18 x 7/16" Phillips Pan Head TEK Screw
5	322809	1	Rear Electrical Box Cover
6	150301	5	#8-18 x 7/16" Phillips Pan Head TEK Screw
7	314511	1	AD-80 Lower Back Guard
8	150301	10	#8-18 x 7/16" Phillips Pan Head TEK Screw
9	103500	4	Leveling Leg

<u>Part No.</u>	<u>Description</u>
112027	"Water Washed Fabrics" Label
112039	"Black/White/Green Ground" Label
112040	"Lint Compartment" Label
112041	"Caution-Exhausted" Label
112534	"Phase 5 OPL Program Location Summary" Label
120802	Red Butt Connector
120902	#74B Wire Nut
120903	Crimp-on Wire Nut
121014	1/4" Insulated (female) Terminal
121499	4" Harness Tie
121500	7" Harness Tie
122804	15" Manometer (water column test gauge)
404500	Almond Brush-In-Cap Bottle Touch-Up Paint
404502	White Brush-In-Cap Bottle Touch-Up Paint
404506	Almond "B" Brush-In-Cap Bottle Touch-Up Paint
404507	Cornflower Blue Brush-In-Cap Bottle Touch-Up Paint
410001	1/2" Allen Wrench
880200	Electrical Terminal (assortment) Kit

ADC 450307 1-07/06/95-100

