



AD-170 Parts Manual Phase 5

For Models Mfd. prior to October 7, 1994

American Dryer Corporation
88 Currant Road
Fall River, MA 02720-4781
Telephone: (508) 678-9000 / Fax: (508) 678-9447
E-mail: techsupport@amdry.com

www.amdry.com

Retain This Manual In A Safe Place For Future Reference

American Dryer Corporation products embody advanced concepts in engineering, design, and safety. If this product is properly maintained, it will provide many years of safe, efficient, and trouble free operation.

ONLY qualified technicians should service this equipment.

OBSERVE ALL SAFETY PRECAUTIONS displayed on the equipment or specified in the installation manual included with the dryer.

The following “**FOR YOUR SAFETY**” caution must be posted near the dryer in a prominent location.

FOR YOUR SAFETY

Do not store or use gasoline or other flammable vapors and liquids in the vicinity of this or any other appliance.

POUR VOTRE SÉCURITÉ

Ne pas entreposer ni utiliser d'essence ni d'autres vapeurs ou liquides inflammables à proximité de cet appareil ou de tout autre appareil.

We have tried to make this manual as complete as possible and hope you will find it useful. ADC reserves the right to make changes from time to time, without notice or obligation, in prices, specifications, colors, and material, and to change or discontinue models.

Important

For your convenience, log the following information:

DATE OF PURCHASE _____ MODEL NO. **AD-170**
RESELLER'S NAME _____
Serial Number(s) _____

Replacement parts can be obtained from your reseller or the ADC factory. When ordering replacement parts from the factory, you can FAX your order to ADC at (508) 678-9447 or telephone your order directly to the ADC Parts Department at (508) 678-9000. Please specify the dryer model number and serial number in addition to the description and part number, so that your order is processed accurately and promptly.

The illustrations on the following pages may not depict your particular dryer exactly. The illustrations are a composite of the various dryer models. Be sure to check the descriptions of the parts thoroughly before ordering.

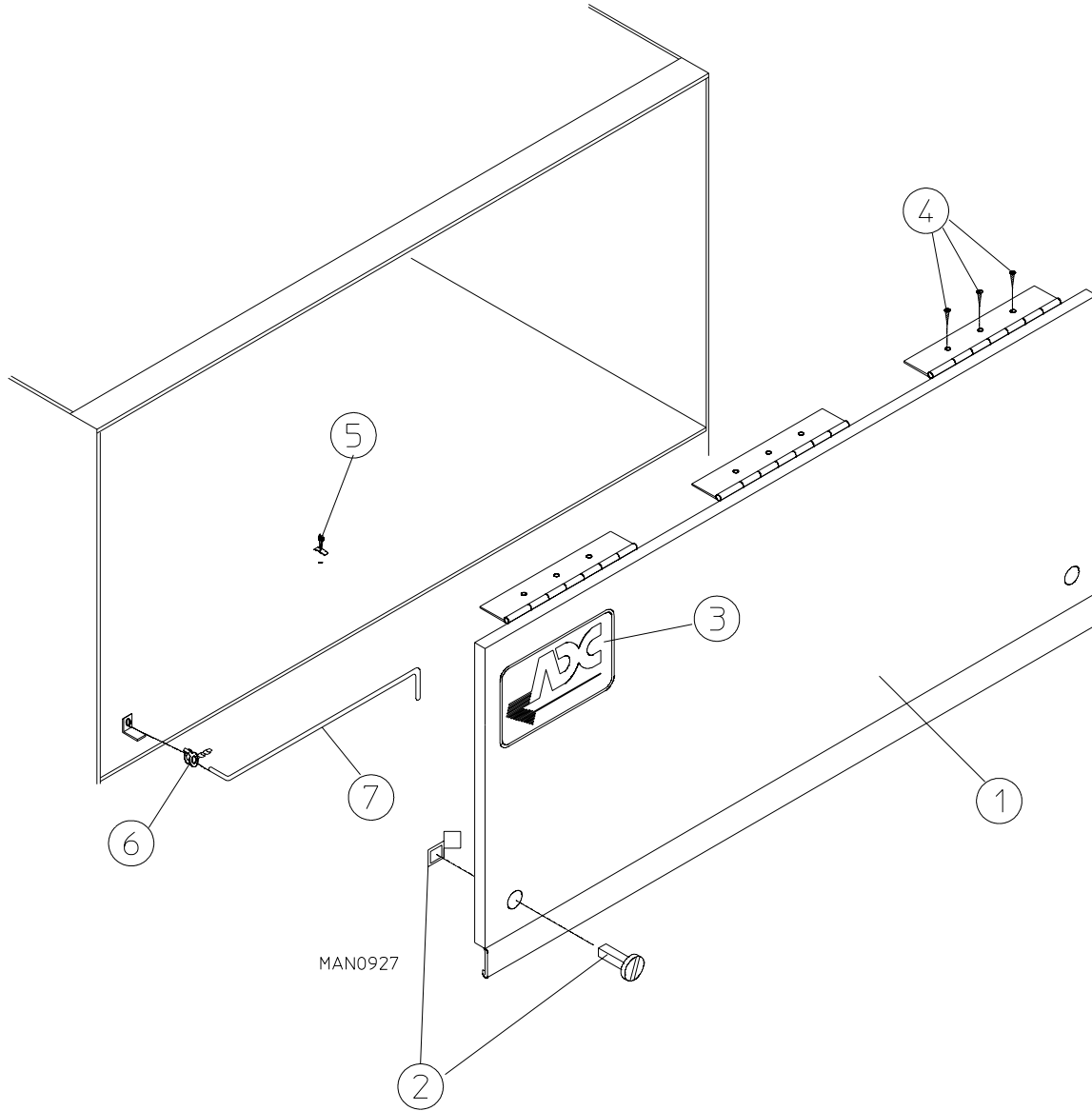
“IMPORTANT NOTE TO PURCHASER”

Information must be obtained from your local gas supplier on the instructions to be followed if the user smells gas. These instructions must be posted in a prominent location near the dryer.

Table of Contents

Control Door Assembly	4
Microprocessor Control Panel Assembly	5
Single Timer Control Panel Assembly	6
Control Box Assembly	7
Front Panel / Main Door Assemblies	8
Main Door Switch Assembly	10
Drop Lint Door Assembly	11
Lint Drawer / Lint Drawer Switch Box Assemblies	12
Tumbler / Support Assemblies	13
Tumbler Bearing Mount Assembly	14
Idler Bearing Mount Assembly	15
Totally Enclosed, Fan-Cooled Tumbler Motor Mount Assembly	16
Blower Motor Mount Assembly for 60 Hz Gas Models ONLY	17
Blower Motor, Fan, and Shaft Assembly for 60 Hz Steam Models and 50 Hz Gas Models ONLY	18
Blower Motor, Fan, and Shaft Assembly for 50 Hz Steam Models ONLY	20
Direct Spark Ignition Burner Assembly for Gas Models ONLY	22
Steam Damper Assembly	24
Microprocessor Temperature Sensor Bracket Assembly	25
Timer Temperature Sensor Bracket Assembly	26
Direct Spark Ignition Module Mount Assembly for Gas Models ONLY	27
Sail Switch Assembly	28
Microprocessor Reversing Control Box Assembly	29
Timer Reversing Control Box Assembly	30
Back Guard Assembly	31
Additional Parts Available	32

Control Door Assembly

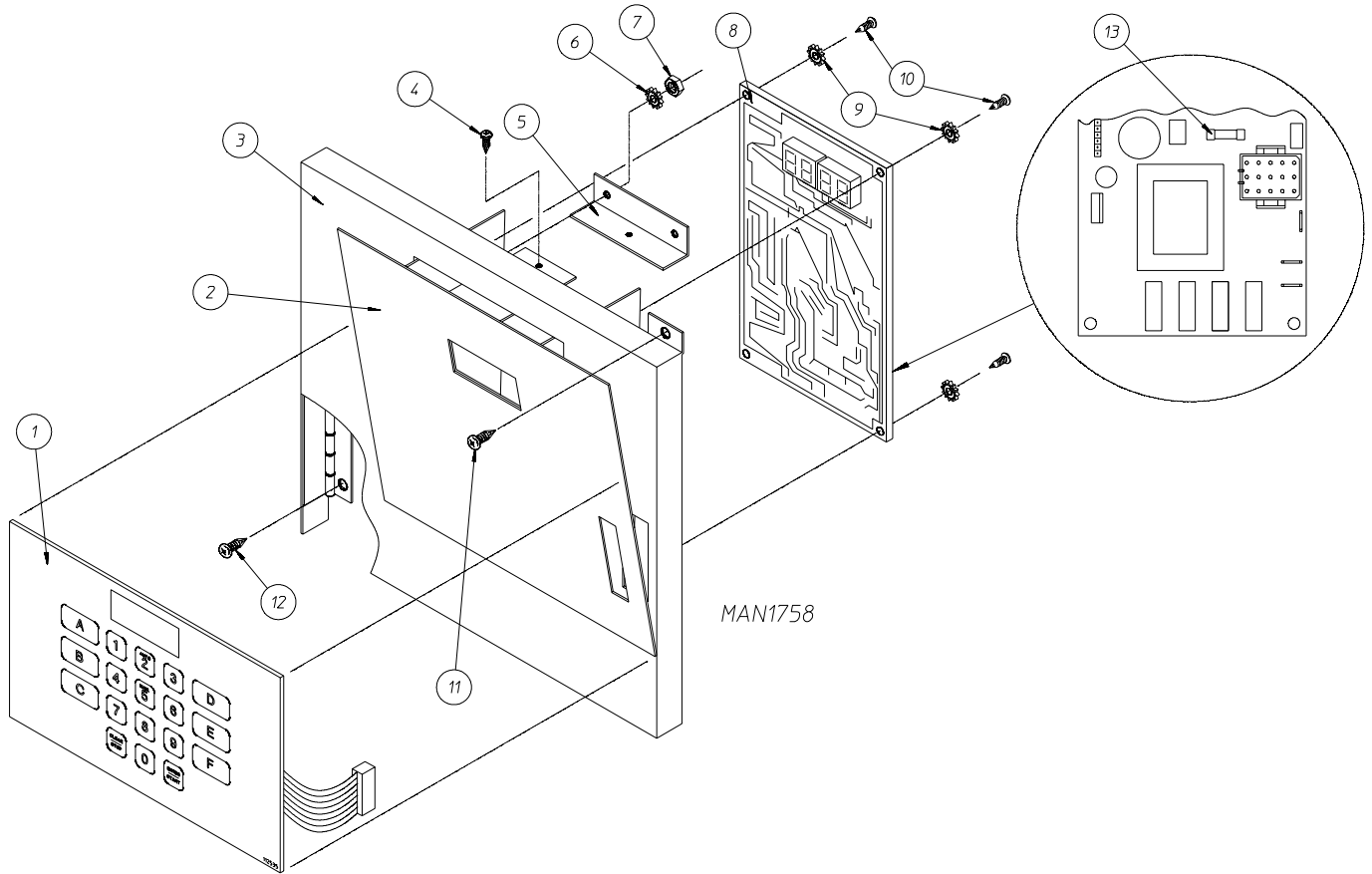


Illus. No.	Part No.	Qty.	Description
1*	820944	1	Control Door Assembly ONLY (for Gas Models Only)
	820963	1	Short Control Door ONLY (for Steam Models Only)
2	160005	2	Spring Turn Latch (2-piece)
3	112360**	1	ADC Logo ONLY
	870011	1	Logo Double Tape Kit
4	150415	9	#10-16 x 1/2" Phillips Round Head Crimpite Screw
5	102600	1	Control Door Support Rod Catch
6	102601	1	Control Door Rod Retainer Clip
7	102505	1	Control Door Support Rod

* Specify color when ordering.

** Logo tape kit not included and must be ordered separately.

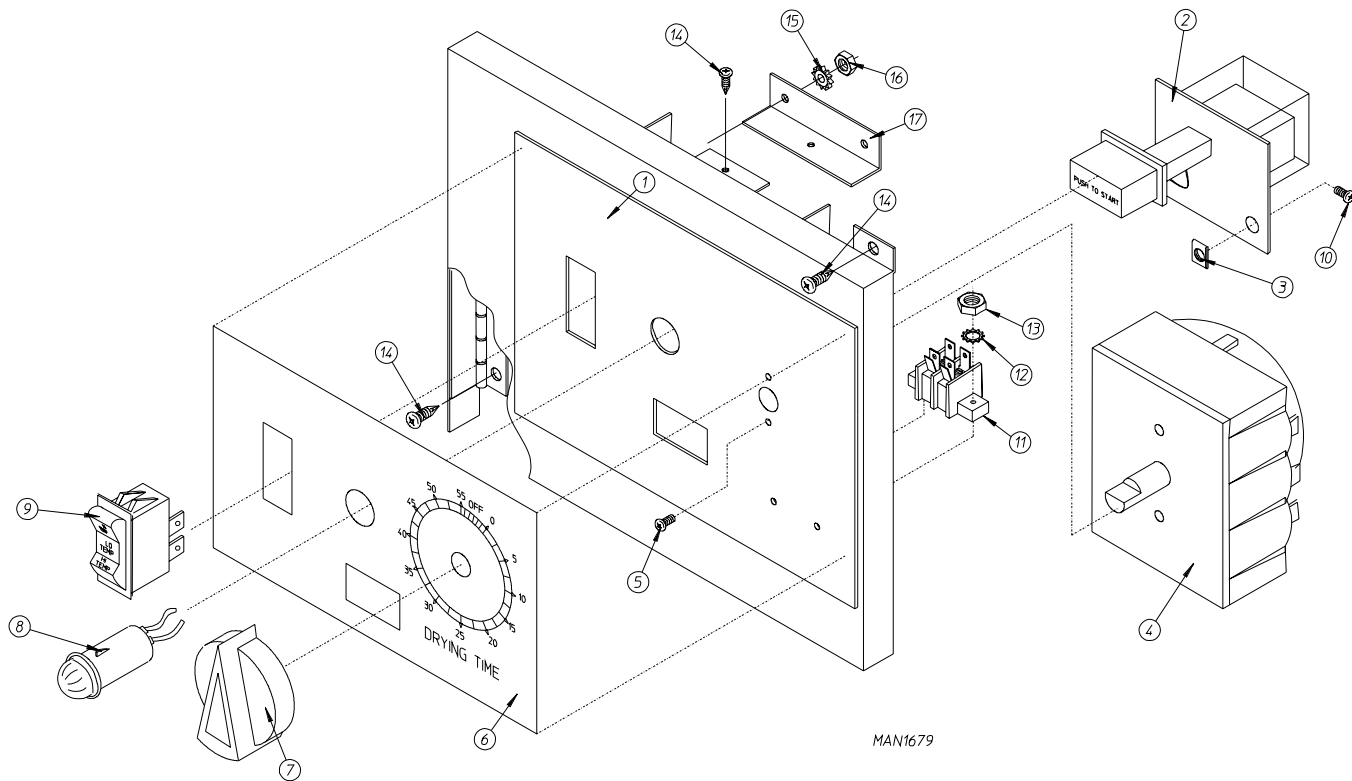
Microprocessor Control Panel Assembly



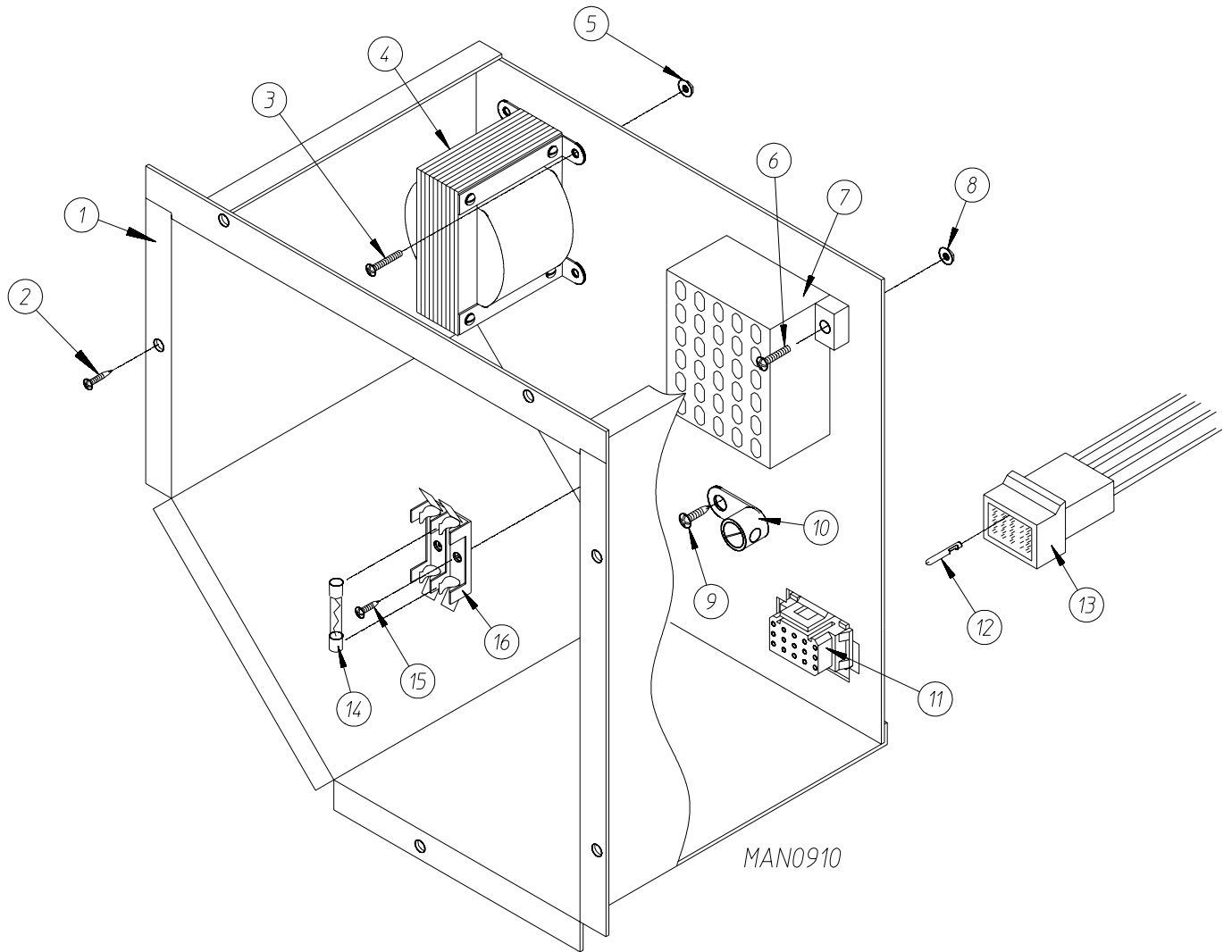
Illus. No.	Part No.	Qty.	Description
1	112535	1	Non-Coin English Keypad Label Assembly
	112276	1	Non-Coin Stick-On Labels (English Only) ... Not Illustrated
	112275	1	Non-Coin Stick-On Labels (Spanish, Italian, and Hebrew) ... Not Illustrated
	112277	1	3-Language Non-Coin Stick-On Labels (English, Spanish, and Hebrew) ... Not Illustrated
	112278	1	5-Language Non-Coin Stick-On Labels (Italian, Dutch, French, German, and Chinese) ... Not Illustrated
2	820935	1	Swing Out Computer Drawer Complete (includes illus. nos. 1 through 10 and 13)
3	820912	1	Control Box Door
4	150000	1	#6-32 x 1/4" Slotted Round Head Screw
5	332200	1	Computer Drawer Angle
6	153010	2	#6 Star Washer
7	152010	2	#6-32 Hex Nut
8	137231	1	Phase 5 Non-Coin Reversing Microprocessor Controller ONLY
9	153010	4	#6 Star Washer
10	150005	4	#6-32 x 1/4" Phillips Round Head Machine Screw
11	150000	1	#6-32 x 1/4" Slotted Round Head Machine Screw
12	150000	3	#6-32 x 1/4" Slotted Round Head Machine Screw
13	136048	1	1/8-Amp (Slo-Blo) Fuse

IMPORTANT: Check label on computer chip to verify correct part number.

Single Timer Control Panel Assembly

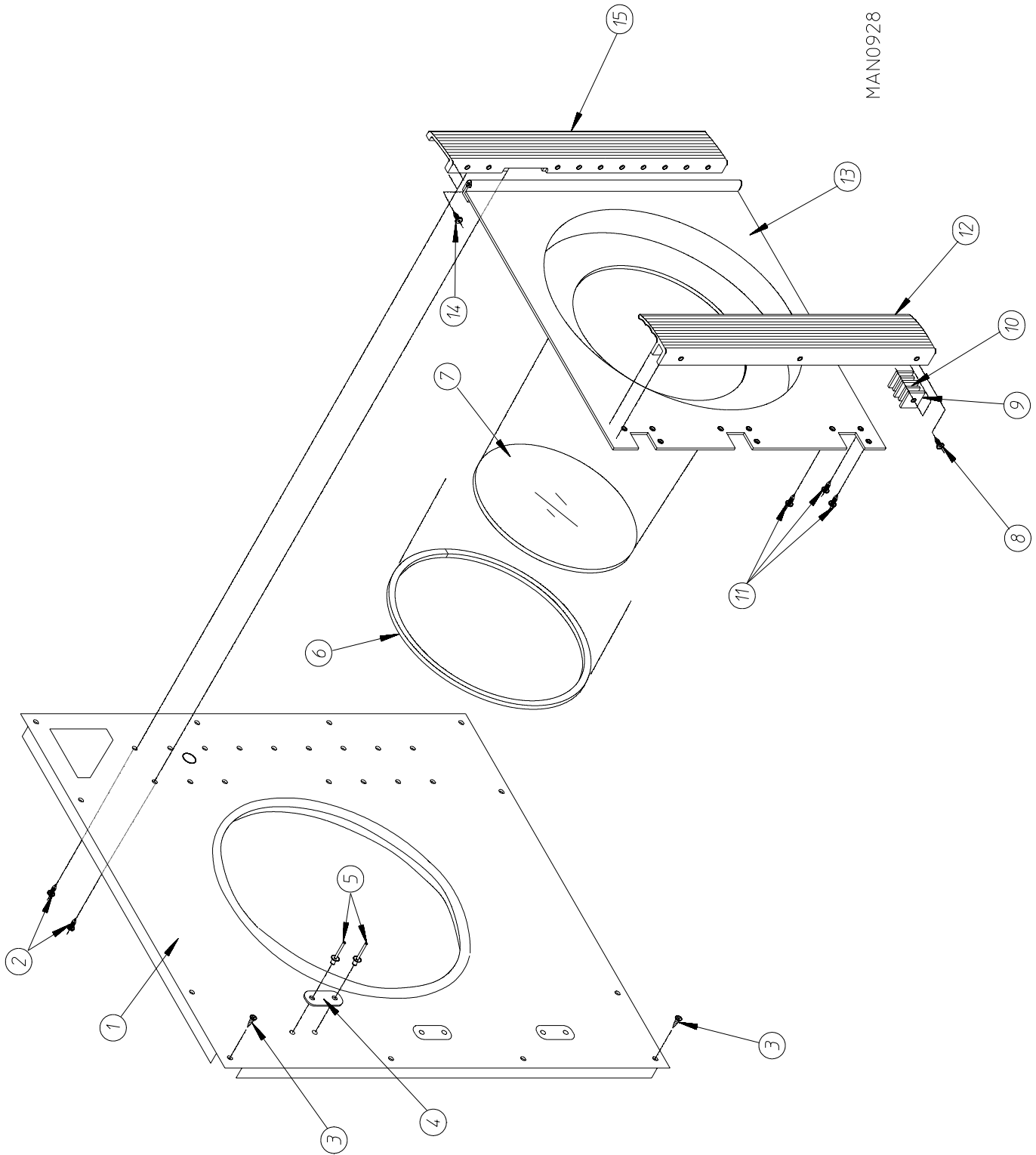


Illus. No.	Part No.	Qty.	Description
1	880940	1	Single Timer Control Panel Assembly Complete (includes illus. nos. 1 through 17)
	821015	1	Single Timer Control Panel ONLY
2	131917	1	Push-to-Start Relay – 24 VAC
3	154001	2	#10-24 Speed Nut
4	124025	1	60 Minute Timer – 24 VAC
5	150110	2	#8-32 x 1/4" Phillips Round Head Screw
6	112048	1	Single Timer Label
7	124103	1	Arrow Timer Knob
8	123005	1	Red Light Indicator – 24 VAC
9	122400	1	Rocker Heat Selector Switch
10	150207	2	#10-24 x 1/2" Round Head Machine Screw
11	120707	1	Terminal Strip
12	153010	2	#6 Star Washer
13	152000	2	#6-32 Hex Nut
14	150301	5	#8-18 x 7/16" Phillips Pan Head TEK Screw
15	153012	2	#8 Star Washer
16	152001	2	#8-32 Hex Nut
17	332257	1	Single Timer Drawer Stop



<u>Illus. No.</u>	<u>Part No.</u>	<u>Qty.</u>	<u>Description</u>
1	820940	1	Control Box Assembly Complete (includes illus. nos. 1, 2, 6 through 10, 14, 15, and 16)
2	150301	6	#8-32 x 7/16" Phillips Round Head TEK Screw
3	150100	2	#8-32 x 1/2" Round Head Machine Screw
4	141403	1	24 VAC Transformer
5	151001	2	#8-32 Pal Nut
6	150002	2	#6-32 x 1" Round Head Machine Screw
7	120715	1	30-Position Terminal Block
8	151000	2	#6-32 Pal Nut
9	150415	1	#10-16 x 1/2" Phillips Round Head Crimpite Screw
10	121010	1	L-70 Ground Lug
11	122626	1	15-Pin Socket Connector
12	122704	14	Pin Terminal
13	122625	1	15-Pin Connector
14	136057	2	1/2-Amp (Slo-Blo) Fuse
15	150301	1	#8-32 x 7/16" Phillips Round Head TEK Screw
16	136008	2	Fuse Block / Strip
—	122800	1	Microprocessor (female) Pin Extraction Tool
—	122801	1	Pin / Socket Extraction Tool

Front Panel / Main Door Assemblies

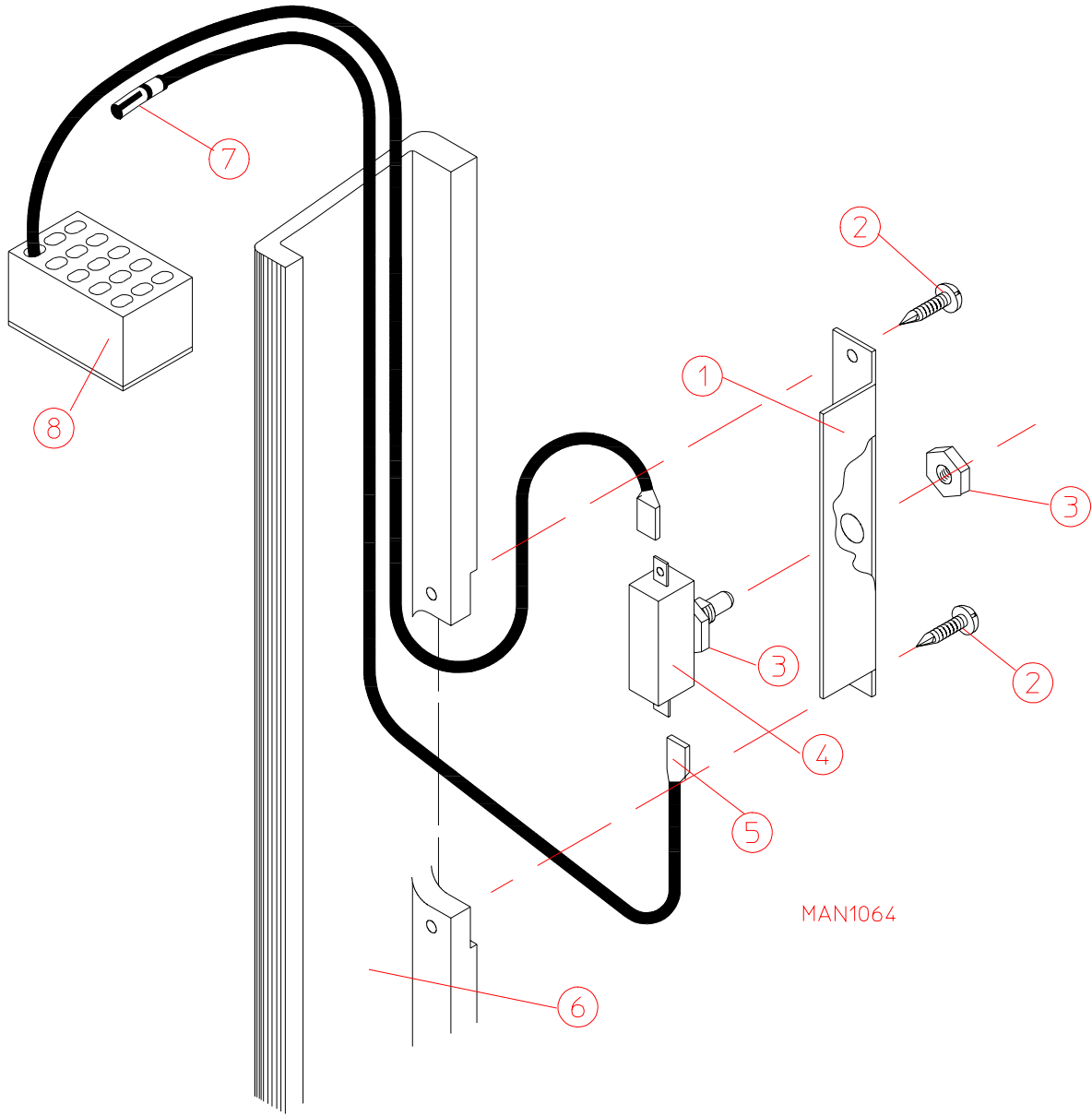


Front Panel / Main Door Assemblies

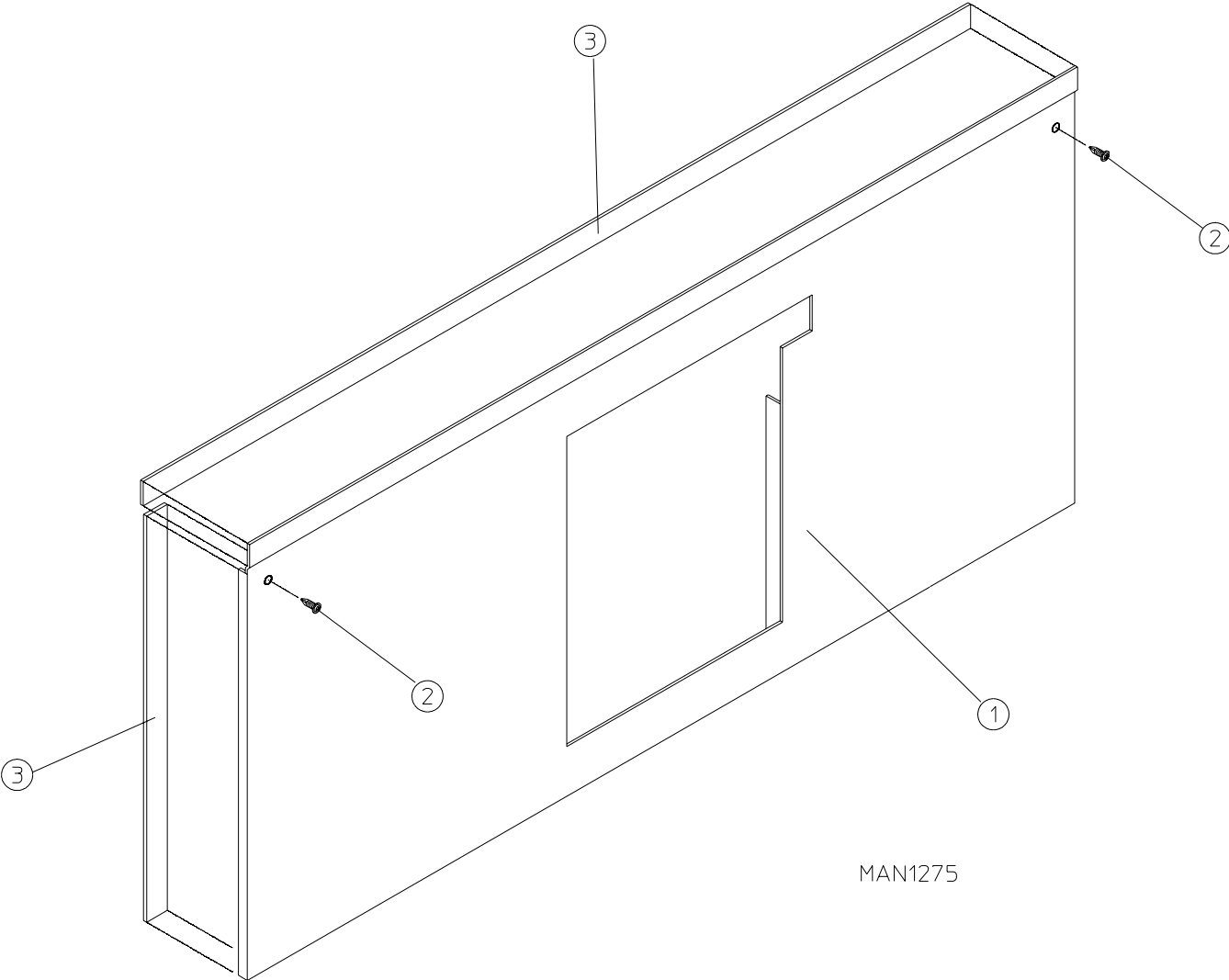
<u>Illus. No.</u>	<u>Part No.</u>	<u>Qty.</u>	<u>Description</u>
1*	820929	1	Right-Hand Front Panel Assembly (includes illus. nos. 1, 4, and 5)
2	150415	15	#10-16 x 1/2" Phillips Round Head Crimptite Screw
3	150412	12	#10-16 x 3/4" Phillips Round Head Crimptite Screw
4	170340	3	3-1/2" Stainless Steel Striker Pad
5	154200	6	5/32" Pop Rivet
6	102308	1	Door Gasket ONLY (94" length)
7	102210	1	20-7/16" Door Glass ONLY
	170730	1	Door Glass Adhesive (10.3 oz. cartridge)
8	150401	3	#10-24 x 1-1/4" Phillips Taptite Screw
9	306801	6	Magnet Keeper ONLY
10	102100	6	1" x 1" x 1/4" Main Door Magnet ONLY
11	150415	9	#10-16 x 1/2" Phillips Round Head Crimptite Screw
12	180151	1	35" Granite Main Door Handle ONLY (for models mfd. as of March 8, 1993)
	180150	1	35" Gray Main Door Handle ONLY (for models mfd. prior to March 8, 1993)
13	800265*	1	Main Door Assembly Complete with Granite Handle (for models mfd. as of March 8, 1993) (includes illus. nos. 6 through 13)
	800127*	1	Main Door Assembly Complete with Gray Handle (for models mfd. prior to March 8, 1993) (includes illus. nos. 6 through 13)
	800266	1	Stainless Steel Main Door Assembly Complete with Granite Handle (for models mfd. as of March 8, 1993) (includes illus. nos. 6 through 13)
	800128	1	Stainless Steel Main Door Assembly Complete with Gray Handle (for models mfd. prior to March 8, 1993) (includes illus. nos. 6 through 13)
	800122*	1	Main Door Assembly with Glass and Gasket ONLY (includes illus. nos. 6, 7, and 13)
	800125	1	Stainless Steel Main Door Assembly with Glass and Gasket ONLY (includes illus. nos. 6, 7, and 13)
14	150430	11	#10 x 1/2" Phillips Self-Drilling Screw
15	180156	1	35" Granite Main Door Hinge Block ONLY (for models mfd. as of March 8, 1993)
	180155	1	35" Gray Main Door Hinge Block ONLY (for models mfd. prior to March 8, 1993)

* Specify color when ordering.

Main Door Switch Assembly



Illus. No.	Part No.	Qty.	Description
1	313208	1	Door Switch Bracket
2	150415	2	#10-16 x 1/2" Phillips Round Head Crimpite Screw
3	152003	2	3/8-32 x 1/2" x 1/16" Door Switch Nut
4	136995	1	Door Switch (for models mfd. as of June 26, 1992)
	137006	1	Door Switch (for models mfd. prior to June 26, 1992)
5	121028	2	1/4" x .032 Insulated Terminal
6	180156	1	35" Granite Main Door Hinge Block (for models mfd. as of March 8, 1993)
	180155	1	35" Gray Main Door Hinge Block (for models mfd. prior to March 8, 1993)
7	122705	2	Socket Mate to Split Pin
8	122626	1	15-Pin Cap Housing ONLY (M / L)

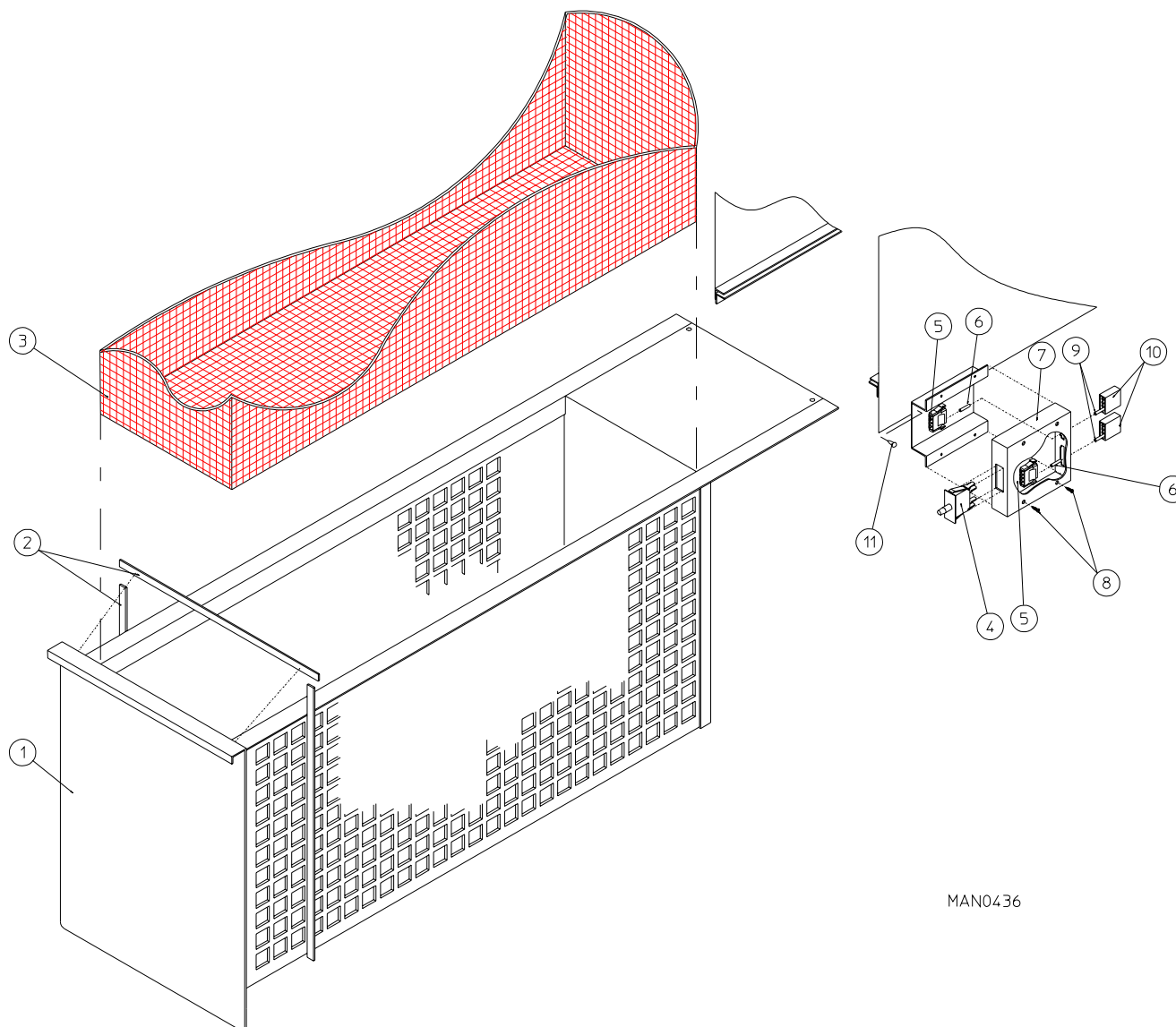


MAN1275

Illus. No.	Part No.	Qty.	Description
1*	820945	1	Drop Lint Door Assembly (includes illus. nos. 1 and 3)
2	150415	5	#10-16 x 1/2" Phillips Round Head Crimptite Screw
3	117600	9	Noise Suppressor Tape (sold by the foot)

* Specify color when ordering.

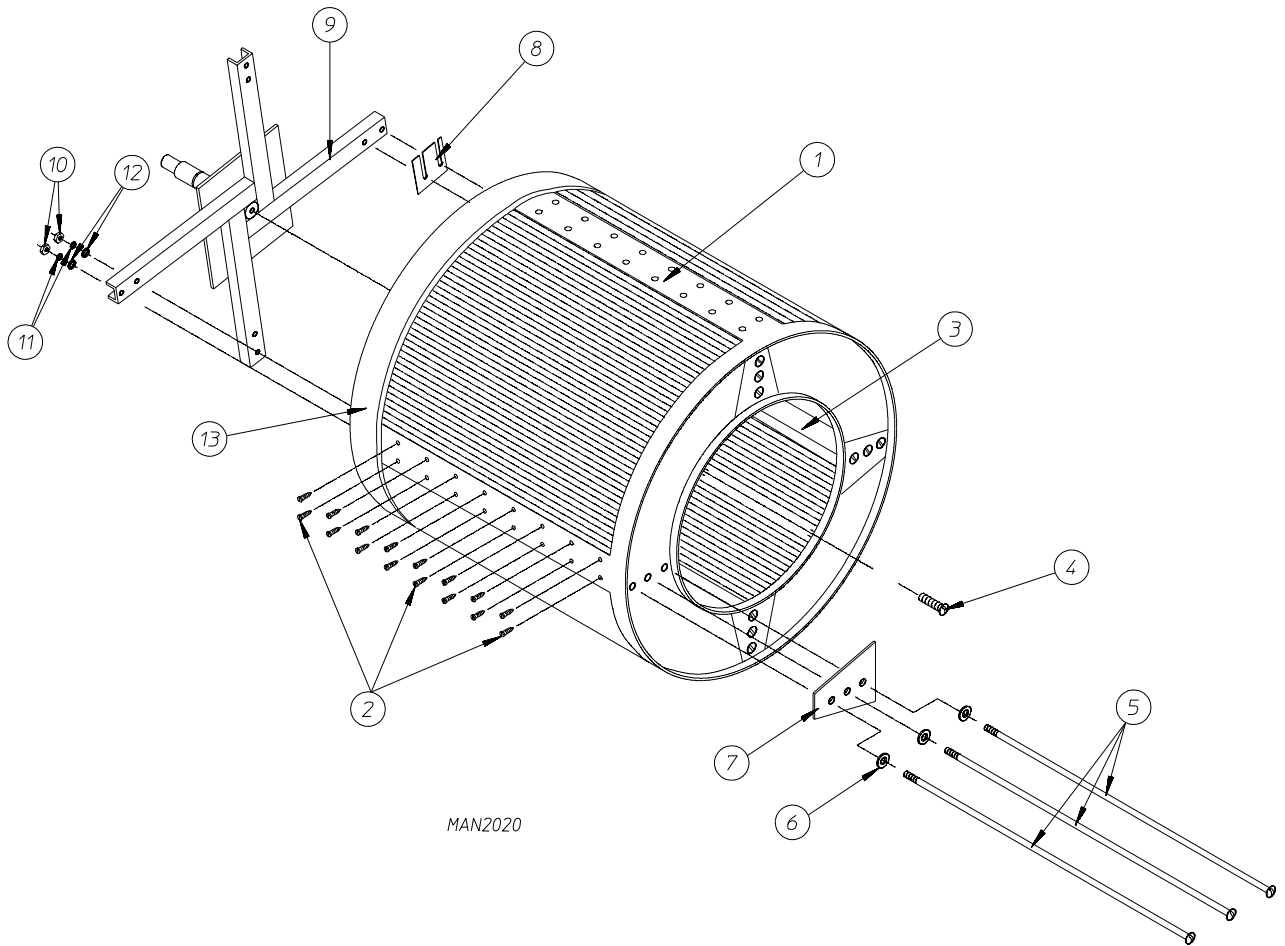
Lint Drawer / Lint Drawer Switch Box Assemblies



MAN0436

Illus. No.	Part No.	Qty.	Description
1*	820955	1	Lint Drawer Assembly Complete (includes illus. nos. 1 and 2)
2	117602	7	Noise Suppressor Tape (sold by the foot)
3	820925	1	Lint Screen Assembly
4	122116	1	Lint Drawer Switch
5	122605	2	4-Pin Socket Connector
6	122701	8	Socket Terminal
	122801	1	Pin / Socket Extraction Tool
7	800264	1	Lint Drawer Switch Box Assembly Complete (includes illus. nos. 4 through 7)
	304034	1	Lint Drawer Switch Box ONLY
8	150301	4	#8-18 x 7/16" Phillips Pan Head TEK Screw
9	122700	8	Pin Terminal
10	122604	2	4-Pin Connector
11	150301	2	#8-18 x 7/16" Phillips Pan Head TEK Screw

* Specify color when ordering.

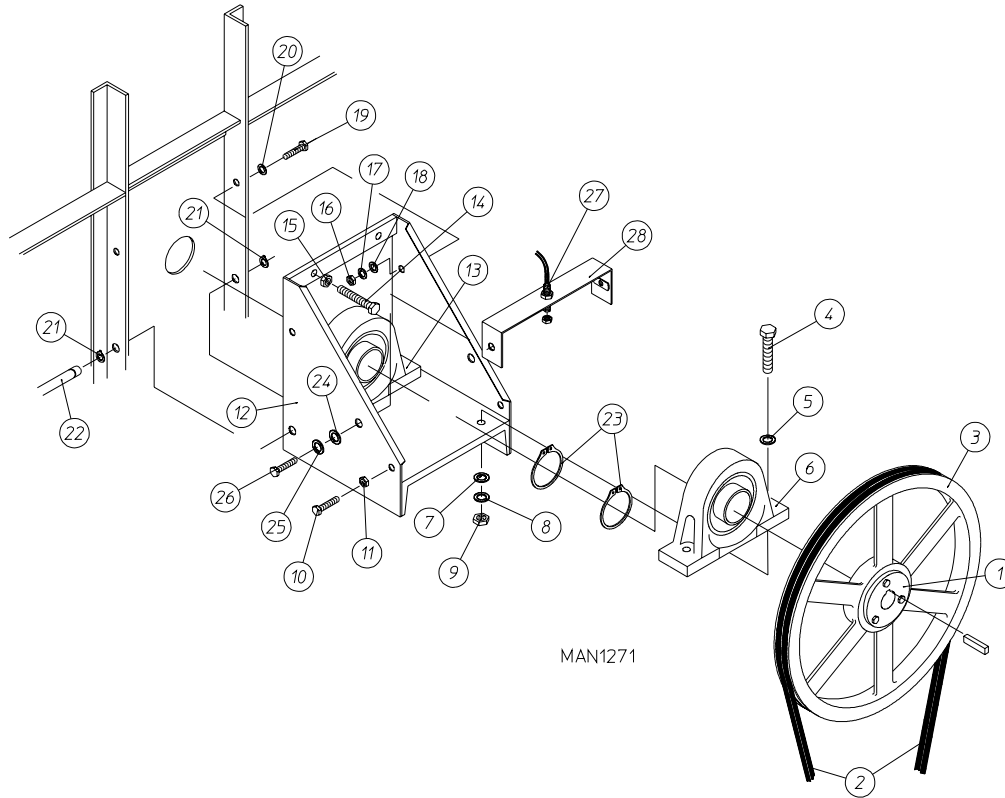


<u>Illus. No.</u>	<u>Part No.</u>	<u>Qty.</u>	<u>Description</u>
1	820979*	1	Tumbler ONLY without Felt Collar
	821001	1	Tumbler and Support Assembly Complete with Rotational Sensor Option (for models mfd. as of March 1, 1993) (includes illus. nos. 1 through 13)
	820927	1	Tumbler and Support Assembly Complete without Rotational Sensor Option (includes illus. nos. 1 through 13)
2	150415	64	#10-16 x 1/2" Phillips Round Head CrimpTite Screw
3	332140	4	Tumbler Rib
4	150500	1	5/16-18 x 3/4" Socket Button Head Screw
5	880967	12	1/2-13 x 44" Tie Rod Kit with Hardware (includes 1 each ONLY of illus. nos. 5, 6, 10, and 11)
6	153011	12	9/16" Flat Washer
7	332139	4	Basket Reinforcing Plate
8	332177	**	Tumbler Shim
9	821000	1	Tumbler Support with Rotational Sensor Option (for models mfd. as of March 1, 1993)
	820909	1	Tumbler Support without Rotational Sensor Option
10	152011	12	1/2-13 Hex Nut
11	153026	12	1/2" Lock Washer
12	153014	12	7/16" Flat Washer
13	116007	1	Felt Collar
—	401010	1	#847 Adhesive for Felt Collar

* Felt collar not included and must be ordered separately.

** As required.

Tumbler Bearing Mount Assembly

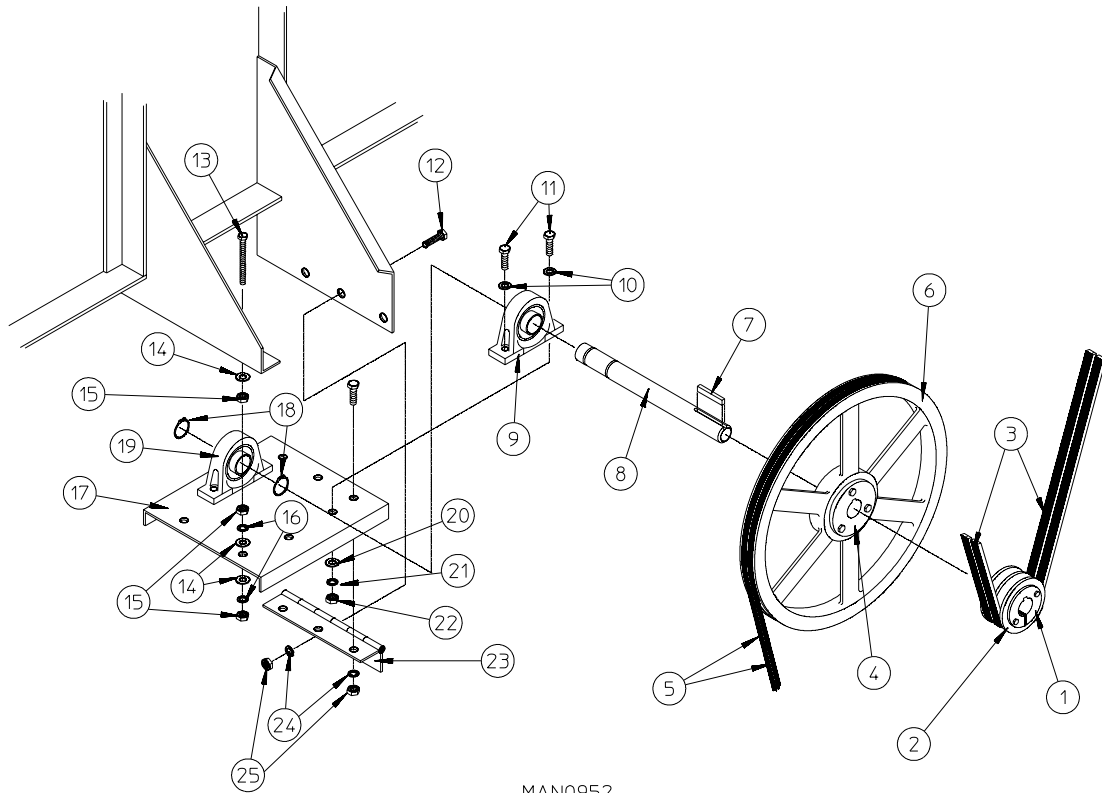


MAN1271

Illus. No.	Part No.	Qty.	Description
1	101137	1	2-1/4" SFX Bushing
2*	100137	2	AB91 V-Belt
3	101182	1	25" Tumbler Pulley
4	150602	4	5/8-11 x 3" Hex Head Machine Bolt
5	153016	4	5/8" Flat Washer
6	100223	1	3-1/8" Pillow Block Bearing ONLY
7	153016	4	5/8" Flat Washer
8	153015	4	5/8" Lock Washer
9	152010	4	5/8-11 Hex Nut
10	150600	2	3/8-16 x 1-1/2" Hex Head Machine Bolt
11	152005	2	3/8-16 Hex Nut
12	820910	1	Tumbler Bearing Mount
13	100223	1	3-1/8" Pillow Block Bearing
14	150604	2	1/2-20 x 3" Square Head Machine Bolt
15	152012	2	1/2-20 Hex Nut
16	152005	2	3/8-16 Hex Nut
17	153005	2	3/8" Lock Washer
18	153004	4	3/8" Flat Washer
19	150600	2	3/8-16 x 1-1/2" Hex Head Machine Bolt
20	153004	2	3/8" Flat Washer
21	100801	2	5/8" Retaining Ring
22	332153	1	5/8" Hinge Pin
23	100810	2	3-1/8" Retaining Ring
24	153018	2	1/4" Flat Washer
25	153007	2	1/4" Lock Washer
26	150512	2	1/4-20 x 1/2" Hex Head Machine Bolt
27	824807	1	Rotational Sensor Assembly
28	880841	1	Rotational Sensor Mounting Bracket

* Replace in matched sets (both belts).

Idler Bearing Mount Assembly

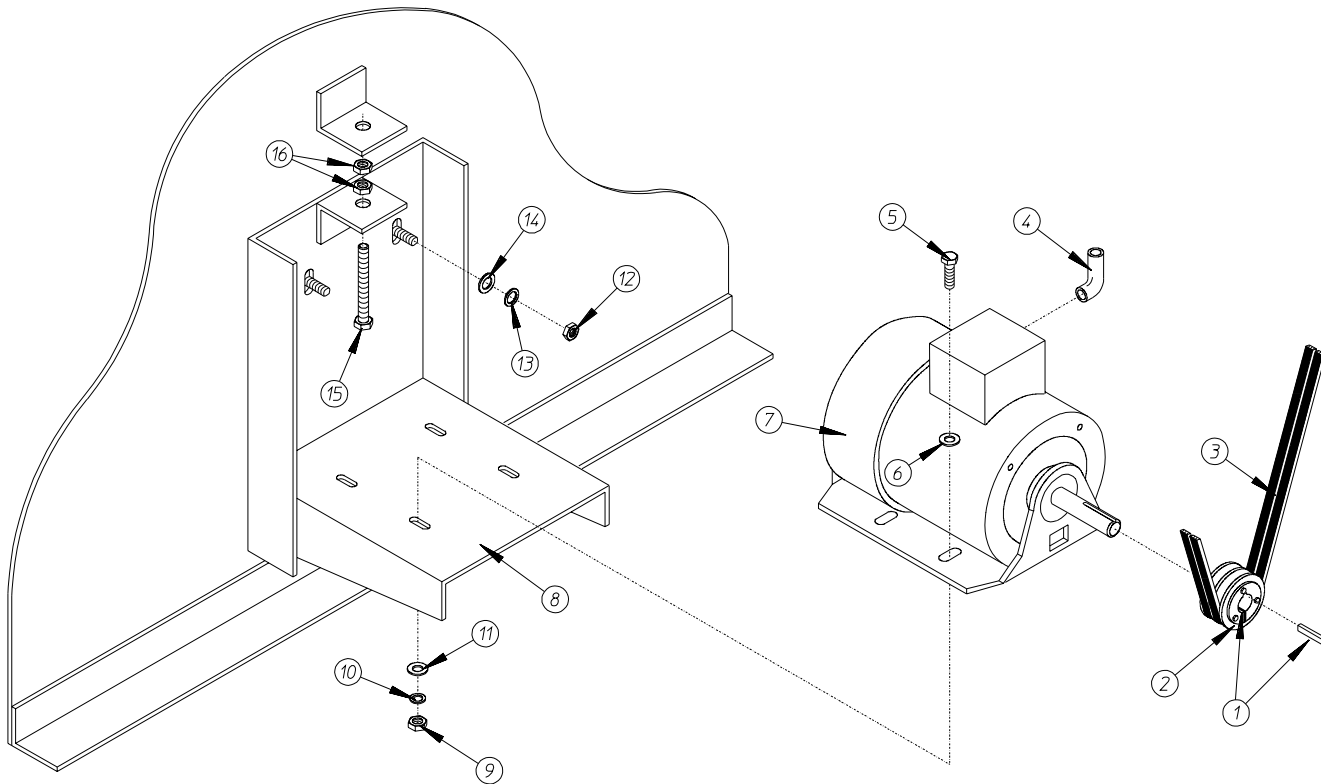


MAN0952

Illus. No.	Part No.	Qty.	Description
1	101152	1	SH x 1-3/8" Bushing
2	101143	1	2B 3.8 SH Pulley
3*	100137	2	AB91 V-Belt
4	101184	1	SK x 1-3/8" Bore Bushing
5*	100102	2	3V740 V-Belt
6	101112	1	19" Idler Pulley
7	100730	1	1/4" x 1/4" x 4-5/8" Key
8	332152	1	Idler Shaft
9	880879	1	1-3/8" Pillow Block Bearing with Setscrews and Grease Fitting
10	153004	4	3/8" Flat Washer
11	150600	4	3/8-16 x 1-1/2" Hex Head Machine Bolt
12	150504	6	1/4-20 x 1/2" Hex Head Machine Bolt
13	150509	2	5/16-18 x 3" Hex Head Machine Bolt
14	153001	6	5/16" Flat Washer
15	152004	6	5/16-18 Hex Nut
16	153002	8	5/16" Lock Washer
17	820932	1	Idler Bearing Mount Assembly Complete (includes illus. nos. 8 through 11 and 17 through 25)
	332151	1	Idler Bearing Mount ONLY
18	100802	2	1-3/8" Retaining Ring
19	880879	1	1-3/8" Pillow Block Bearing with Setscrews and Grease Fitting
20	153004	4	3/8" Flat Washer
21	153005	4	3/8" Lock Washer
22	152005	4	3/8-16 Hex Nut
23	103005	1	Idler Adjustment Hinge
24	153002	6	1/4" Lock Washer
25	152004	6	1/4-20 Hex Nut

* Replace in matched sets (both belts).

Totally Enclosed, Fan-Cooled Tumbler Motor Mount Assembly



MAN0329

Illus. No.	Part No.	Qty.	Description
1	101121	1	5/8" SK Bushing
2	101114	1	2.65" Pulley (for 60 Hz Models Only)
	101120	1	3.15" Pulley (for 50 Hz Models Only)
3*	100102	2	3V740 V-Belt
4	120200	1	3/8" x 90° Connector
5	150501	4	5/16-18 x 3/4" Hex Head Machine Bolt
6	153001	4	5/16" Flat Washer
7	100050	1	1 hp 208 / 230 / 380 / 460v 50 / 60 Hz 3Ø Totally Enclosed, Fan-Cooled Motor (56Z frame)
8	800952	1	Tumbler Motor Mount ONLY (56Z frame)
	820941**	1	50 / 60 Hz Totally Enclosed, Fan-Cooled Tumbler Motor Mount Assembly Complete (includes illus. nos. 1 and 4 through 11) NOTE: Motor Pulley Must Be Ordered Separately
9	152004	4	5/16-18 Hex Nut
10	153002	4	5/16" Lock Washer
11	153001	4	5/16" Flat Washer
12	152004	4	5/16-18 Hex Nut
13	153002	4	5/16" Lock Washer
14	153001	4	5/16" Flat Washer
15	150619	1	3/8-16 x 3" Hex Head Machine Bolt
16	152005	2	3/8-16 Hex Nut

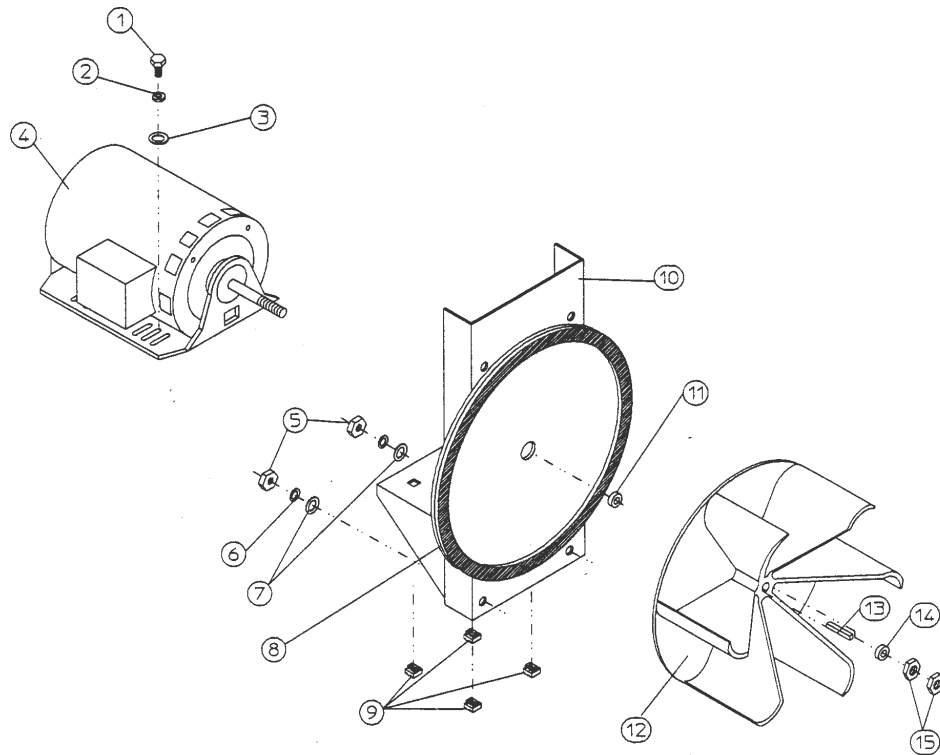
* Replace in matched sets (both belts).

** Specify voltage when ordering.

IMPORTANT: For voltages higher than 460v / contact the factory for correct part number of motor or motor mount assembly.

Blower Motor Mount Assembly

For 60 Hz Gas Models ONLY



MAN0193

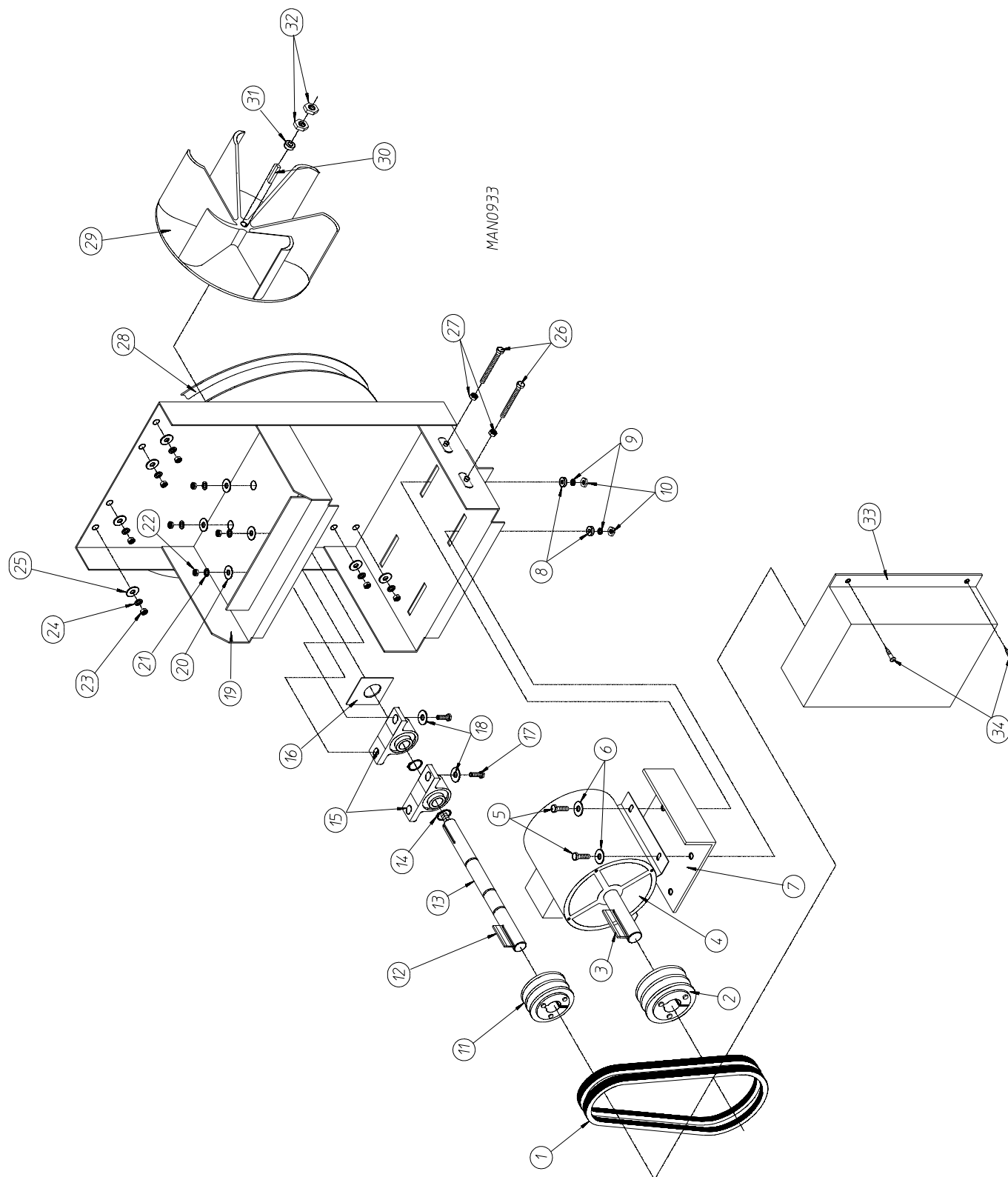
Illus. No.	Part No.	Qty.	Description
1	150501	4	5/16-18 x 3/4" Hex Head Machine Bolt
2	153002	4	5/16" Lock Washer
3	153001	4	5/16" Flat Washer
4	100051	1	3 hp 208 / 230 / 460 / 3ø / 50 / 60 Hz Motor (56Z frame)
5	152004	4	5/16-18 Hex Nut
6	153002	4	5/16" Lock Washer
7	153001	4	5/16" Flat Washer
8	117600	4	Noise Suppressor Tape (sold by the foot)
9	154000	4	5/16-18 Tinnerman Nut
10	880828	1	3 hp Blower Motor Mount ONLY (56Z frame) (for models mfd. as of September 11, 1992)
	820924	1	3 hp Blower Motor Mount ONLY (56Z frame) (for models mfd. prior to September 11, 1992)
	880829	1	3 hp Blower Motor Mount Assembly Complete (for models mfd. as of September 11, 1992) (includes illus. nos. 1 through 4 and 8 through 15)
	820942	1	3 hp Blower Motor Mount Assembly Complete (for models mfd. prior to September 11, 1992) (includes illus. nos. 1 through 4 and 8 through 15)
11	153063	1	Motor Washer
12	100609	1	20" Aluminum Impellor (Fan / Blower)
13	100703	1	1/2" x 1/2" x 2" Key
14	153063	*	5/8" Motor Washer
15	152006	2	1/2-20 Left-Hand Jam Nut

* Replace in matched sets (both belts).

IMPORTANT: For voltages higher than 460v, contact the factory for correct part number of motor or motor mount assembly.

Blower Motor, Fan, and Shaft Assembly

For 60 Hz Steam Models and 50 Hz Gas Models ONLY



Blower Motor, Fan, and Shaft Assembly

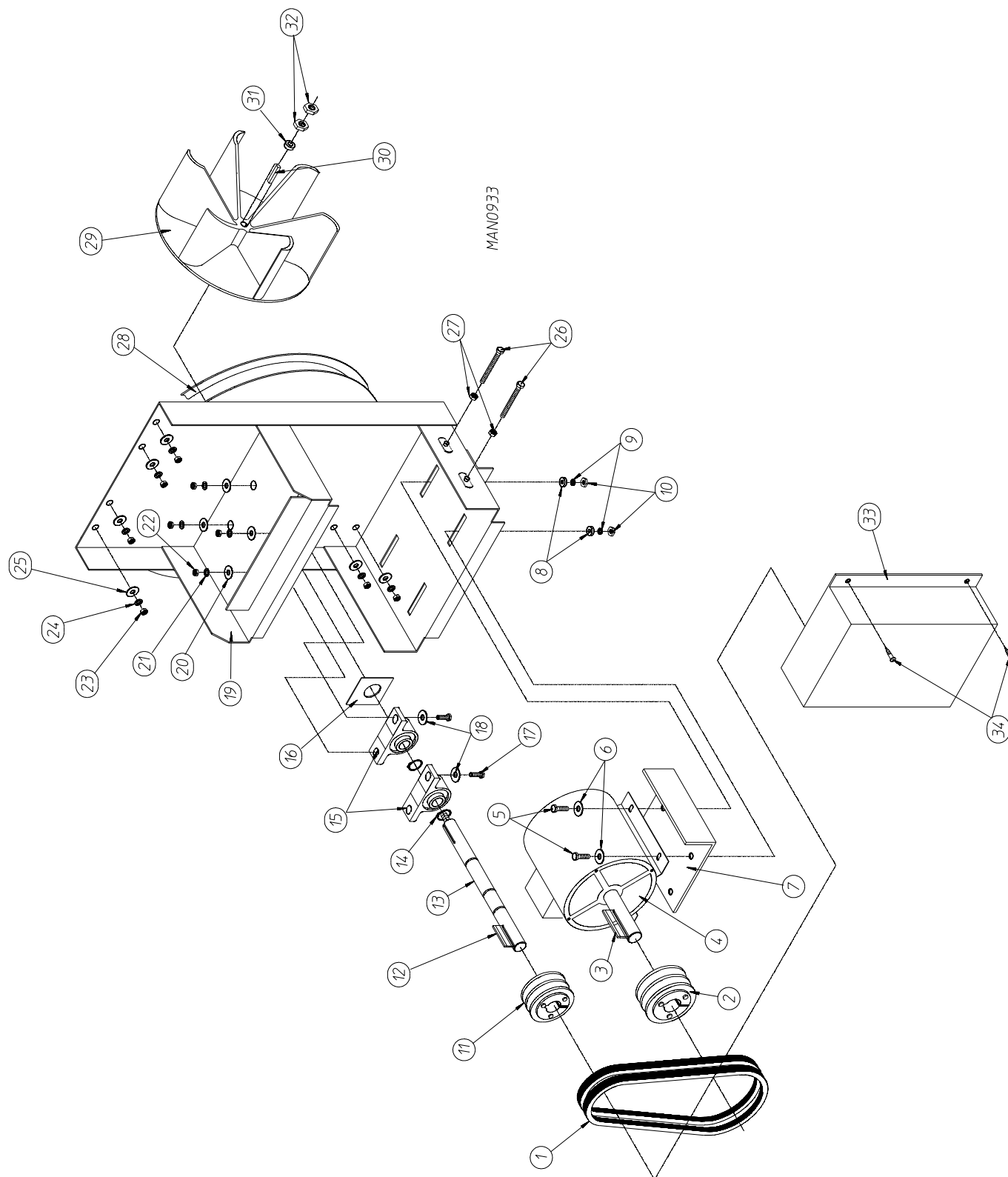
For 60 Hz Steam Models and 50 Hz Gas Models ONLY

<u>Illus. No.</u>	<u>Part No.</u>	<u>Qty.</u>	<u>Description</u>
1*	100118	2	5L-310 V-Belt
2	101134	1	2B x 4.6 Motor Pulley
	101138	1	SDS x 1-1/8" Bushing
3	100704	1	1/4" x 1/4" x 1-3/4" Key
4	100045	1	5 hp 230 / 460 / 3ø / 50 / 60 Hz Motor
5	150617	4	3/8-16 x 1" Hex Head Machine Bolt
6	153004	4	3/8" Flat Washer
7	332198	1	Motor Adjustment Bracket
8	153004	4	3/8" Flat Washer
9	153005	4	3/8" Lock Washer
10	152005	4	3/8-16 Hex Nut
11	101143	1	2B x 3.8 Pulley
	101152	1	SH x 1-3/8" Bushing
12	100706	1	5/16" x 5/16" x 1-3/8" Key
13	332195	1	Impellor (Fan / Blower) Shaft
14	100802	2	1-3/8" Retaining Ring
15	880879	2	1-3/8" Pillow Block Bearing with Setscrews and Grease Fitting
16	116014	1	3" x 3" Impellor (Fan / Blower) Shaft Gasket
17	150606	4	1/2-13 x 2" Hex Head Machine Bolt
18	153016	4	1/2" Flat Washer
19	820990	1	Blower Motor Mount ONLY (for models mfd. as of September 11, 1992)
	820960	1	Blower Motor Mount ONLY (for models mfd. prior to September 11, 1992)
	820974	1	ADS-170 60 Hz / ADG-170 50 Hz Blower Motor Mount Assembly Complete (for models mfd. as of September 11, 1992) (includes illus. nos. 1 through 22 and 26 through 34)
	820981	1	ADS-170 60 Hz / ADG-170 50 Hz Blower Motor Mount Assembly Complete (for models mfd. as of September 11, 1992) (includes illus. nos. 1 through 22 and 26 through 34)
20	153016	4	1/2" Flat Washer
21	153026	4	1/2" Lock Washer
22	152011	4	1/2-13 Hex Nut
23	152005	8	3/8-16 Hex Nut
24	153005	8	3/8" Lock Washer
25	153004	8	3/8" Flat Washer
26	150609	2	1/2-13 x 4-1/2" Hex Head Machine Bolt
27	152011	2	1/2-13 Hex Nut
28	117600	6	Noise Suppressor Tape (sold by the foot)
29	100609	1	20" Aluminum Impellor (Fan / Blower)
30	100708	1	3/16" x 3/16" x 2-1/16" Key
31	153065	1	Fan / Impellor Washer
32	152006	2	1/2-20 Left-Hand Jam Nut
33	820965	1	Belt Guard ONLY
34	150522	4	1/4-20 x 1" Hex Washer TEK Screw

* Replace in matched sets (both belts).

Blower Motor, Fan, and Shaft Assembly

For 50 Hz Steam Models ONLY



Blower Motor, Fan, and Shaft Assembly

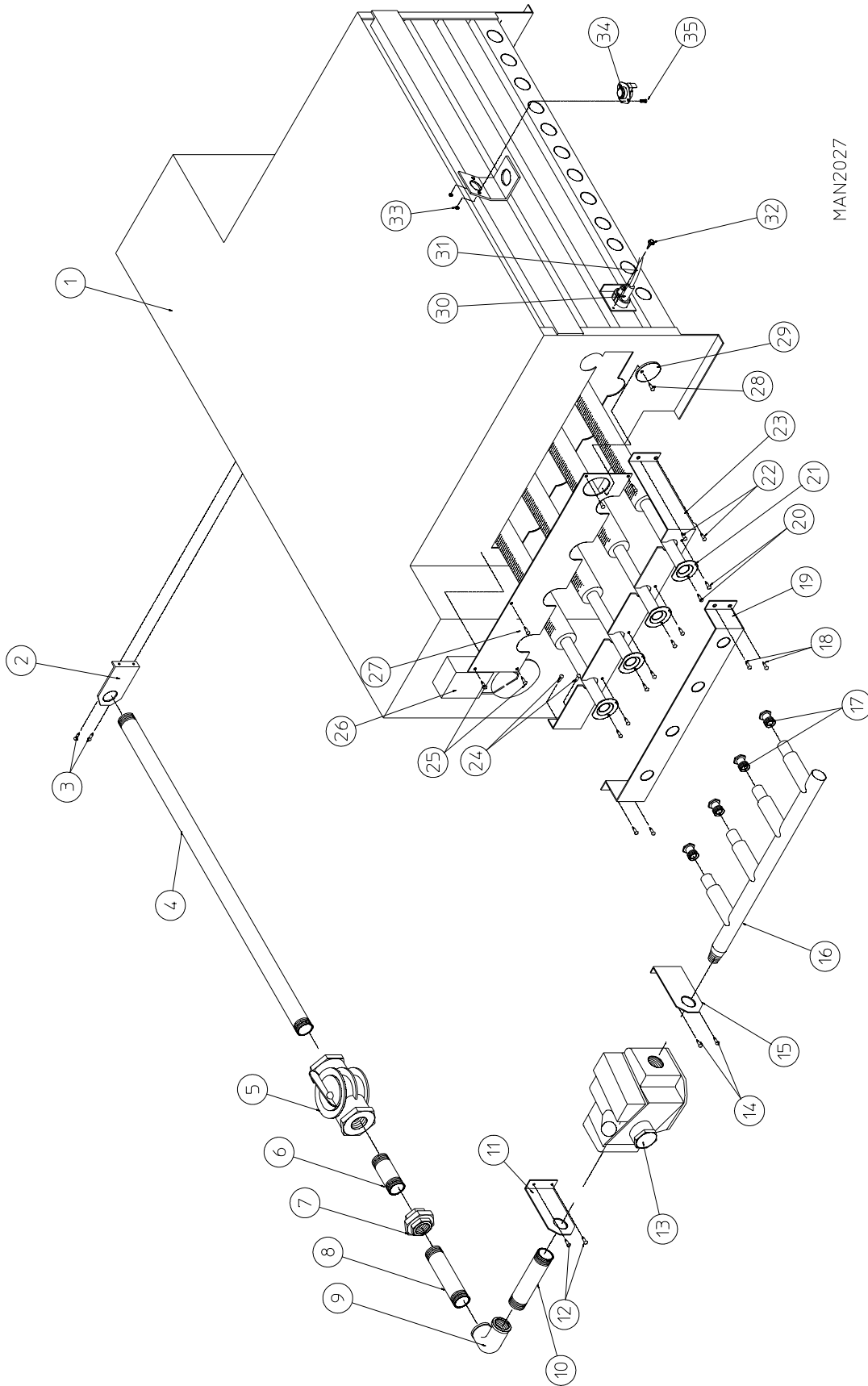
For 50 Hz Steam Models ONLY

<u>Illus. No.</u>	<u>Part No.</u>	<u>Qty.</u>	<u>Description</u>
1*	100119	2	5L-320 V-Belt
2	101135	1	2B x 5.4 Motor Pulley
	101138	1	SDS x 1-1/8" Bushing
3	100704	1	1/4" x 1/4" x 1-3/4" Key
4	100045	1	5 hp 230 / 460 / 3ø / 50 / 60 Hz Motor
5	150617	4	3/8-16 x 1" Hex Head Machine Bolt
6	153004	4	3/8" Flat Washer
7	332198	1	Motor Adjustment Bracket
8	153004	4	3/8" Flat Washer
9	153005	4	3/8" Lock Washer
10	152005	4	3/8-16 Hex Nut
11	101148	1	2B x 4.0 Pulley (replaces 2B x 3.8 pulley previously used)
	101152	1	SH x 1-3/8" Bushing
12	100706	1	5/16" x 5/16" x 1-3/8" Key
13	332195	1	Impellor (Fan / Blower) Shaft
14	100802	2	1-3/8" Retaining Ring
15	880879	2	1-3/8" Pillow Block Bearing with Setscrews and Grease Fitting
16	116014	1	3" x 3" Impellor (Fan / Blower) Shaft Gasket
17	150606	4	1/2-13 x 2" Hex Head Machine Bolt
18	153016	4	1/2" Flat Washer
19	820990	1	Blower Motor Mount ONLY (for models mfd. as of September 11, 1992)
	820960	1	Blower Motor Mount ONLY (for models mfd. prior to September 11, 1992)
	820977	1	50 Hz Blower Motor Mount Assembly Complete (for models mfd. as of September 11, 1992) (includes illus. nos. 1 through 22 and 26 through 34)
	820982	1	50 Hz Blower Motor Mount Assembly Complete (for models mfd. prior to September 11, 1992) (includes illus. nos. 1 through 22 and 26 through 34)
20	153016	4	1/2" Flat Washer
21	153026	4	1/2" Lock Washer
22	152011	4	1/2-13 Hex Nut
23	152005	8	3/8-16 Hex Nut
24	153005	8	3/8" Lock Washer
25	153004	8	3/8" Flat Washer
26	150609	2	1/2-13 x 4-1/2" Hex Head Machine Bolt
27	152011	2	1/2-13 Hex Nut
28	117600	6	Noise Suppressor Tape (sold by the foot)
29	100609	1	20" Aluminum Impellor (Fan / Blower)
30	100708	1	3/16" x 3/16" x 2-1/16" Key
31	153065	1	Impellor / Fan Washer
32	152006	2	1/2-20 Left-Hand Jam Nut
33	820965	1	Belt Guard ONLY
34	150522	4	1/4-20 x 1" Hex Washer TEK Screw

* Replace in matched sets (both belts).

Direct Spark Ignition Burner Assembly

For Gas Models ONLY



MAN2027

Direct Spark Ignition Burner Assembly

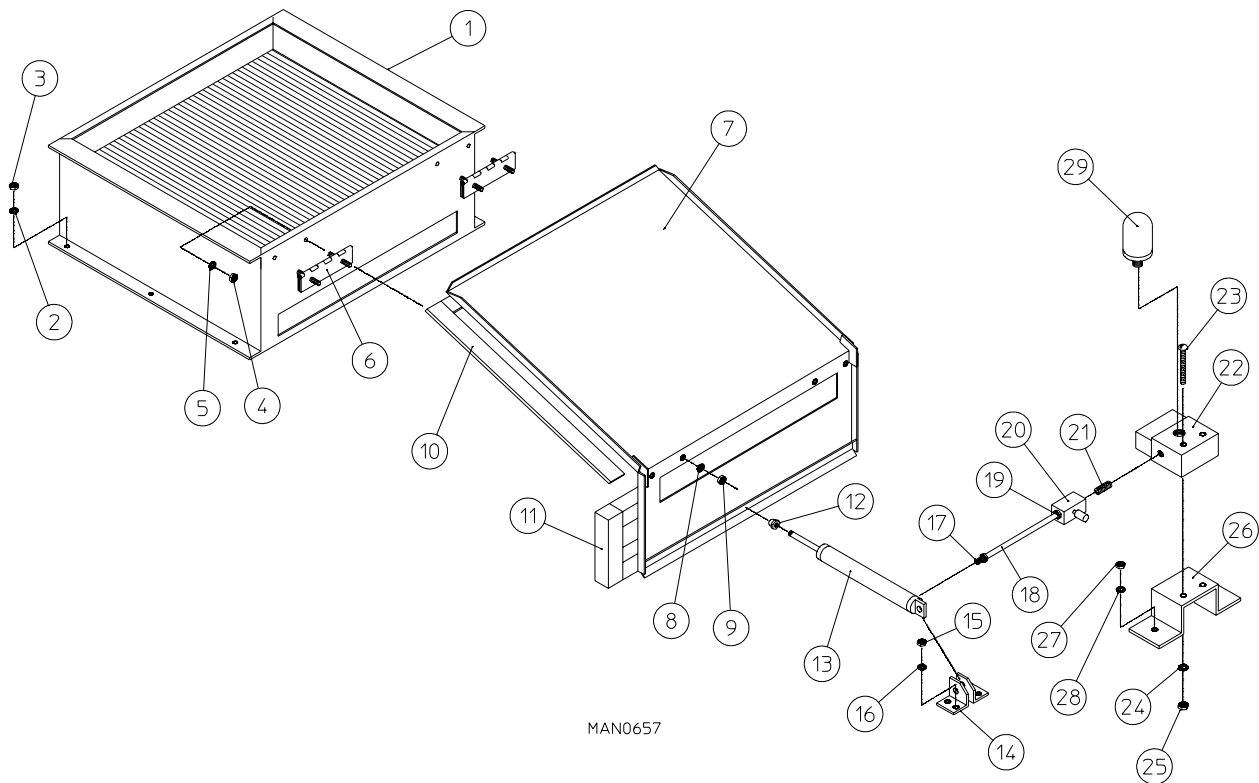
For Gas Models ONLY

<u>Illus. No.</u>	<u>Part No.</u>	<u>Qty.</u>	<u>Description</u>
1	820988*	1	Natural Gas Direct Spark Ignition Burner Assembly Complete Less Orifices (includes illus. nos. 1 through 16 and 18 through 35)
	820989*	1	Liquid Propane Gas Direct Spark Ignition Burner Assembly Complete Less Orifices (includes illus. nos. 1 through 16 and 18 through 35)
	820987	1	Burner Box ONLY
2	332117	1	Pipe Bracket
3	150415	2	#10-16 x 1/2" Phillips Round Head Crimptite Screw
4	142817	1	1" x 28-1/2" Pipe
5	141302	1	1" Union Shutoff
6	142724	1	1" x 2" Nipple
7	142602	1	1" Union
8	142581	1	1" x 5" Nipple
9	142548	1	1" x 90° Elbow
10	142581	1	1" x 5" Nipple
11	332119	1	Gas Valve Pipe Bracket
12	150415	2	#10-16 x 1/2" Phillips Round Head Crimptite Screw
13	140017	1	1" 24 VAC Redundant (natural gas) Gas Valve
	882945	1	1" 24 VAC Redundant (liquid propane) Gas Valve
	140018	1	1" 24 VAC Gas Valve Liquid Propane Conversion Kit
14	150415	2	#10-16 x 1/2" Phillips Round Head Crimptite Screw
15	332119	1	Gas Valve Pipe Bracket
16	141240	1	4-Port Manifold
17**	140832	4	#4 Burner Orifice (natural gas) ONLY
	140819	4	#30 Burner Orifice (liquid propane gas) ONLY
18	150415	4	#10-16 x 1/2" Phillips Round Head Crimptite Screw
19	332114	1	Manifold Support
20	150415	8	#10-16 x 1/2" Phillips Round Head Crimptite Screw
21	141110	4	Burner Tube
22	150415	2	#10-16 x 1/2" Phillips Round Head Crimptite Screw
23	332121	1	Burner Tube Support
24	150415	2	#10-16 x 1/2" Phillips Round Head Crimptite Screw
25	150415	6	#10-16 x 1/2" Phillips Round Head Crimptite Screw
26	————	1	Sail Switch (refer to Sail Switch Assembly on page 28)
27	332113	1	Burner Box Cover Plate
28	150415	1	#10-16 x 1/2" Phillips Round Head Crimptite Screw
29	331290	1	Ignitor / Flame-Probe Sight Hole Disc
30	128914	1	Ignitor / Flame-Probe Assembly
	305410	1	Direct Spark Ignition Ignitor Gap Feeler Gauge ... Not Illustrated
31	884278	1	High Voltage Wire (for models with 1/4" spade connection at module)
	880330	1	High Voltage Wire (for models with spike style connection at module)
32	150415	2	#10-16 x 1/2" Phillips Round Head Crimptite Screw
33	151000	2	#6-32 Pal Nut
34	130401	1	330° Hi-Limit
35	150001	2	#6-32 x 1" Round Head Machine Screw

* Orifices not included and must be ordered separately.

** Consult factory for elevations over 2,000 feet.

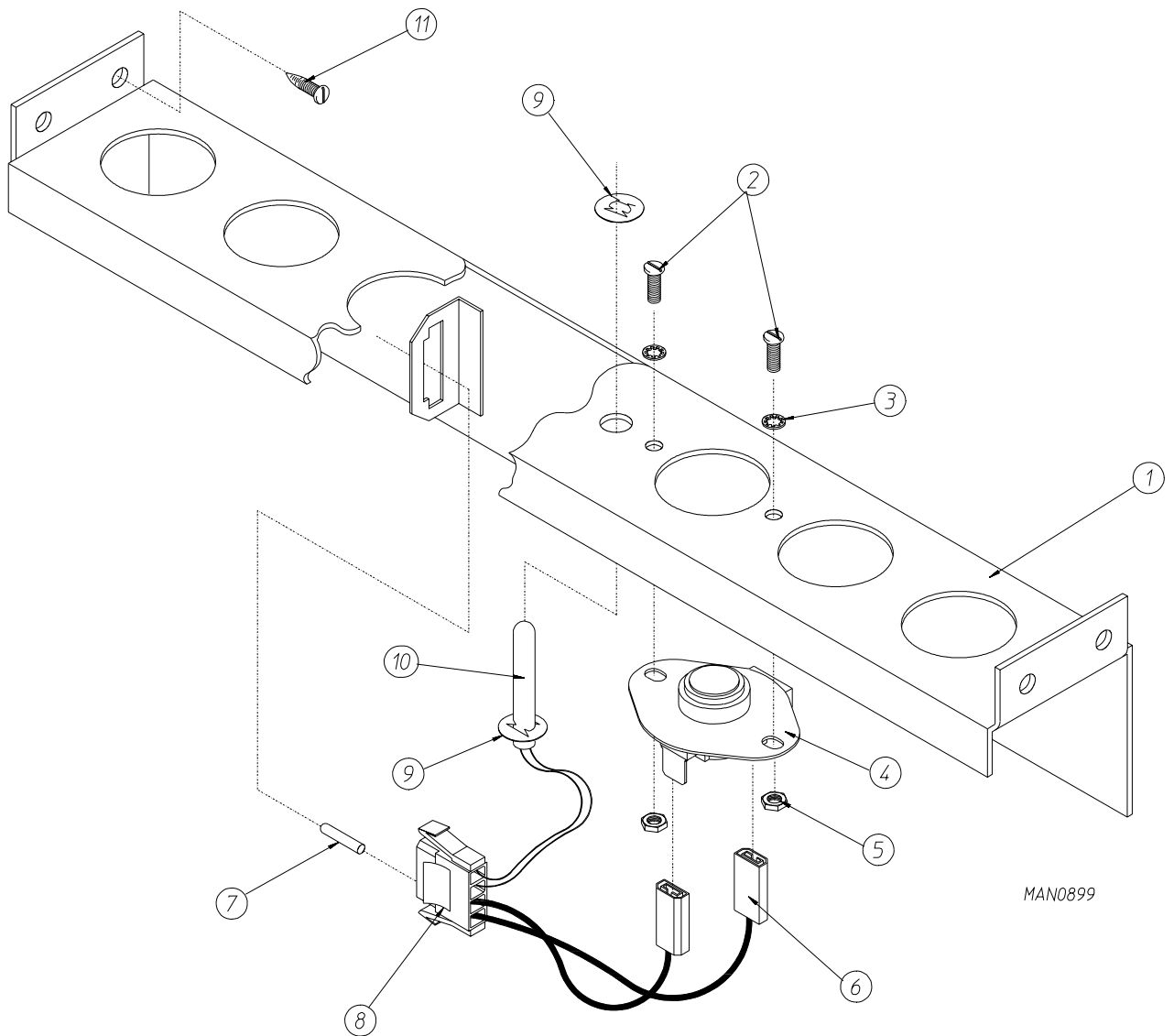
Steam Damper Assembly



MAN0657

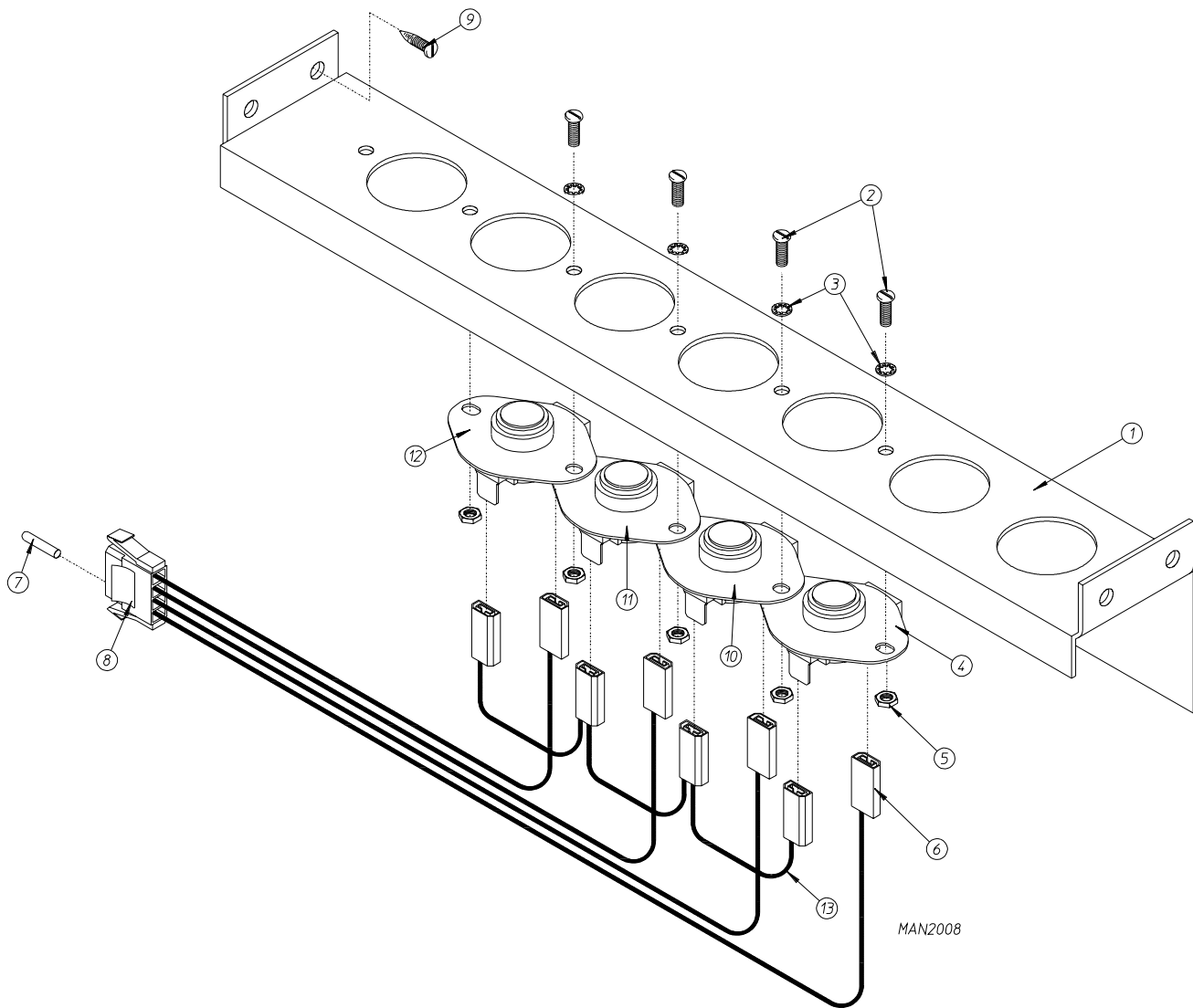
Illus. No.	Part No.	Qty.	Description
1	165017	1	Steam Coil Assembly
2	153002	6	5/16" Lock Washer
3	152004	6	5/16-18 Hex Nut
4	152002	4	1/4-20 Hex Nut
5	153007	4	1/4" Lock Washer
6	820321	2	Steam Damper Hinge Assembly
7	820994	1	Steam Damper Assembly (includes illus. nos. 7, 10, and 11)
8	153007	4	1/4" Lock Washer
9	152002	4	1/4-20 Hex Nut
10	115995	96	Steam Damper Gasket (sold by the inch)
11	102350	1	Steam Damper Foam (68-1/2" length)
12	151007	1	7/16-20 Stainless Steel Acorn Nut
13	100499	1	1-1/2" Bore x 3" Stroke Piston
14	100500	1	Piston Support Bracket
15	152002	4	1/4-20 Hex Nut
16	153007	4	1/4" Lock Washer
17	100472	1	1/4" x 1/8" Connector
18	143110	1	1/4" Tubing (sold by the foot)
19	100472	1	1/4" x 1/8" Connector
20	100496	1	1/8" Needle Valve
21	143238	1	1/8" Close Nipple
22	100498	1	3-Way Micro Valve – 24 VAC
23	150002	2	#6-32 x 1" Slotted Machine Screw
24	153010	2	#6 Star Washer
25	152000	2	#6-32 Hex Nut
26	330987	1	Micro Valve Support Bracket
27	152002	2	1/4-20 Hex Nut
28	153007	2	1/4" Lock Washer
29	100520	1	1/8" N.P.T. Silencer (muffler)

Microprocessor Temperature Sensor Bracket Assembly



Illus. No.	Part No.	Qty.	Description
1	820968	1	Microprocessor Temperature Sensor Bracket Complete (includes illus. nos. 1 through 10)
	820967	1	Temperature Sensor Bracket ONLY
2	150000	2	#6-32 x 1/4" Round Head Machine Screw
3	153010	2	#6 Star Washer
4	130112	1	225° Large Automatic Reset Thermostat (Side Terminals)
5	152000	2	#6-32 Hex Nut
6	121028	2	1/4" x .032 Insulated Terminal
7	122701	4	Socket Terminal
8	122605	1	4-Pin Socket Connector
9	154007	2	1/4" Push-On Fastener
10	880251	1	1/4" Temperature Sensor Probe Assembly (includes illus. nos. 6 through 10)
11	150301	4	#8-18 x 7/16" Phillips Pan Head TEK Screw

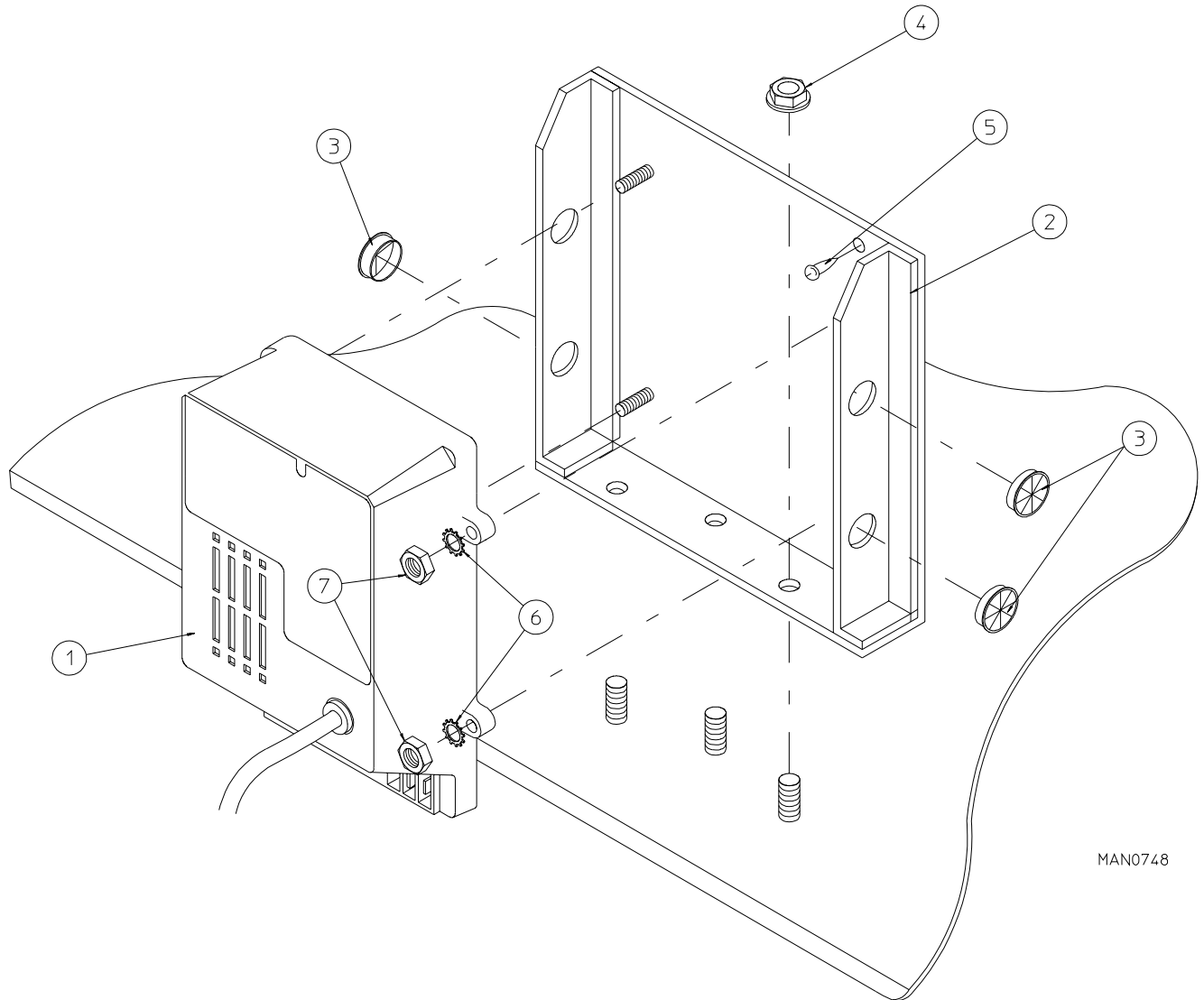
Timer Temperature Sensor Bracket Assembly



Illus. No.	Part No.	Qty.	Description
1	821016	1	Timer Temperature Sensor Bracket Complete (includes illus. nos. 1 through 13)
	820999	1	Timer Temperature Sensor Bracket ONLY
2	150005	5	#6-32 x 1/4" Round Head Machine Screw
3	153010	5	#6 Star Washer
4	130101	1	180° Large Thermostat
5	152000	2	#6-32 Hex Nut
6	121028	4	1/4" x .032 Insulated Terminal
7	122701	4	Socket Terminal
8	122605	1	4-Pin Socket Connector
9	150301	4	#8-18 x 7/16" Phillips Pan Head TEK Screw
10	130109	1	140° Large Thermostat
11	130107	1	160° Large Thermostat
12	130103	1	225° Large Automatic Reset Thermostat
13	831701	1	Sensor Jumper (4)

Direct Spark Ignition Module Mount Assembly

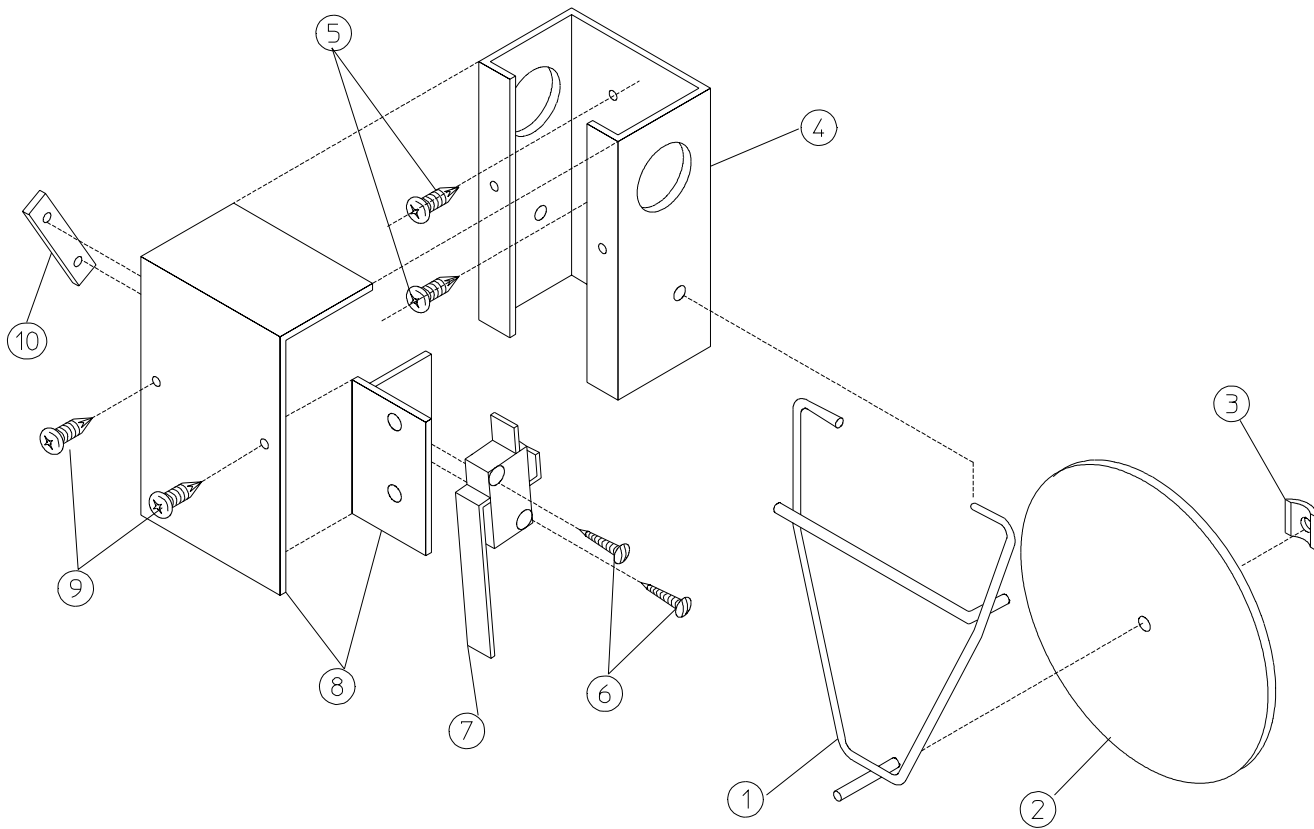
For Gas Models ONLY



MAN0748

<u>Illus. No.</u>	<u>Part No.</u>	<u>Qty.</u>	<u>Description</u>
1	883849	1	Direct Spark Ignition Module
2	820100	1	Direct Spark Ignition Module Mount Assembly ONLY
3	121400	3	Universal Bushing
4	152014	3	1/4-20 Free Spin Wash Nut
5	150301	1	#8-18 x 7/16" Phillips Pan Head TEK Screw
6	153010	4	#6 Star Washer
7	152000	4	#6-32 Hex Nut

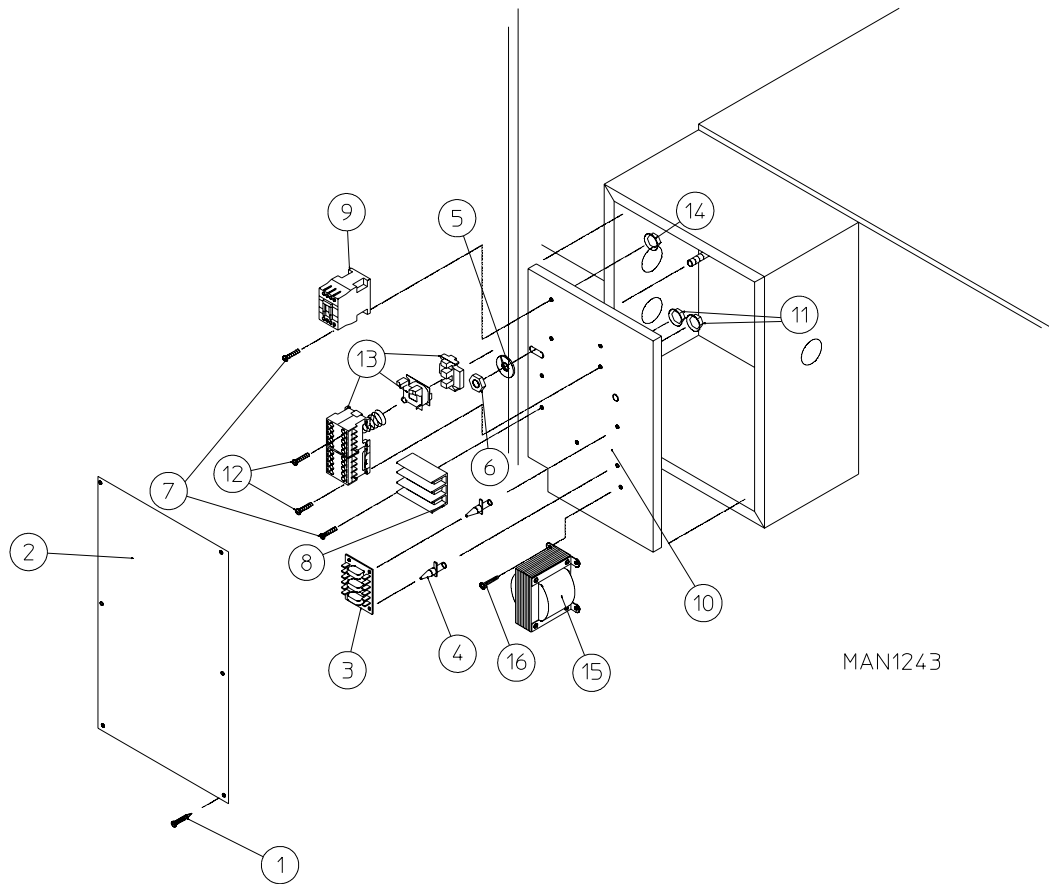
Sail Switch Assembly



MAN0440

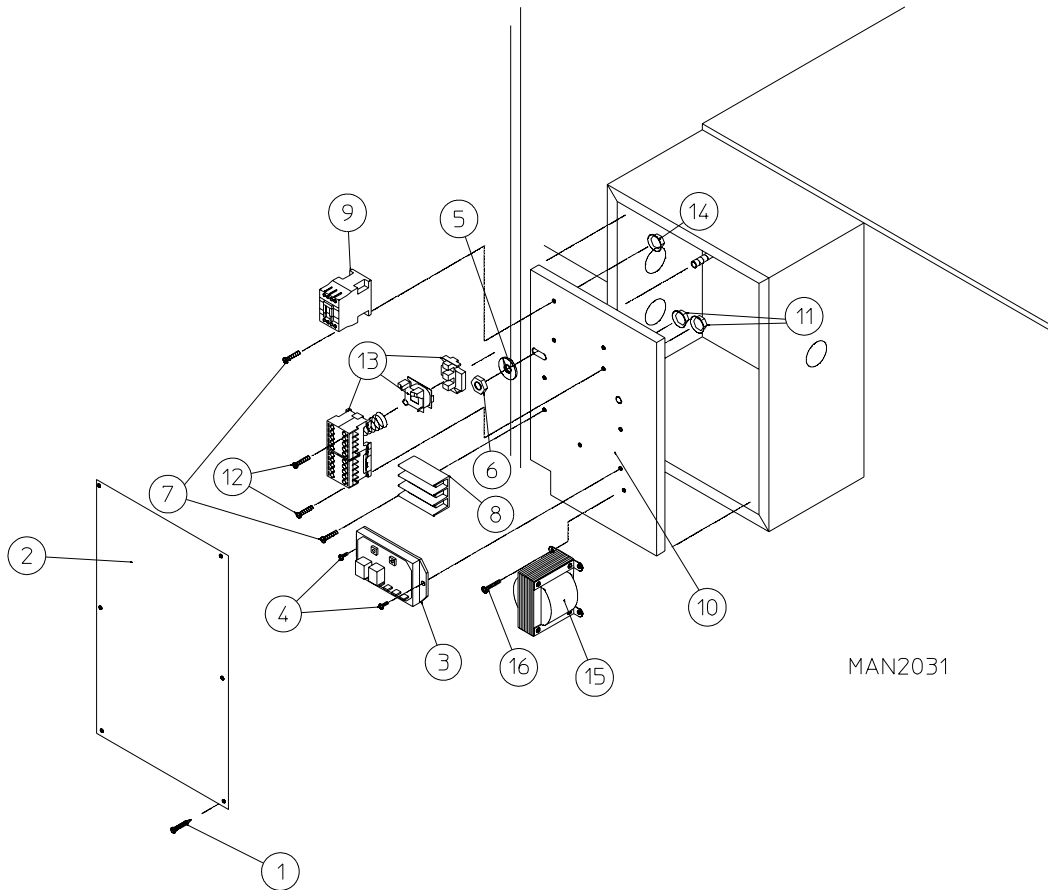
<u>Illus. No.</u>	<u>Part No.</u>	<u>Qty.</u>	<u>Description</u>
1	105500	1	Sail Switch Actuator Rod
2	319202	1	Sail Switch Damper (flat)
3	154002	1	1/8" Push-On Fastener
4	802800	1	Sail Switch Box with Cover and Bracket ONLY
	802801	1	Sail Switch Box Assembly Complete (includes illus. nos. 1 through 4 and 6 through 10)
5	150300	2	#10 x 1/2" Hex Washer TEK Screw
6	150303	2	#4 x 3/4" Pan Head "A" Machine Screw
7	122200	1	Sail Switch ONLY
8	802799	1	Sail Switch Box Cover and Bracket
9	150415	2	#10-16 x 1/2" Phillips Round Head Crimptite Screw
10	154004	1	Twin Speed Nut

Microprocessor Reversing Control Box Assembly



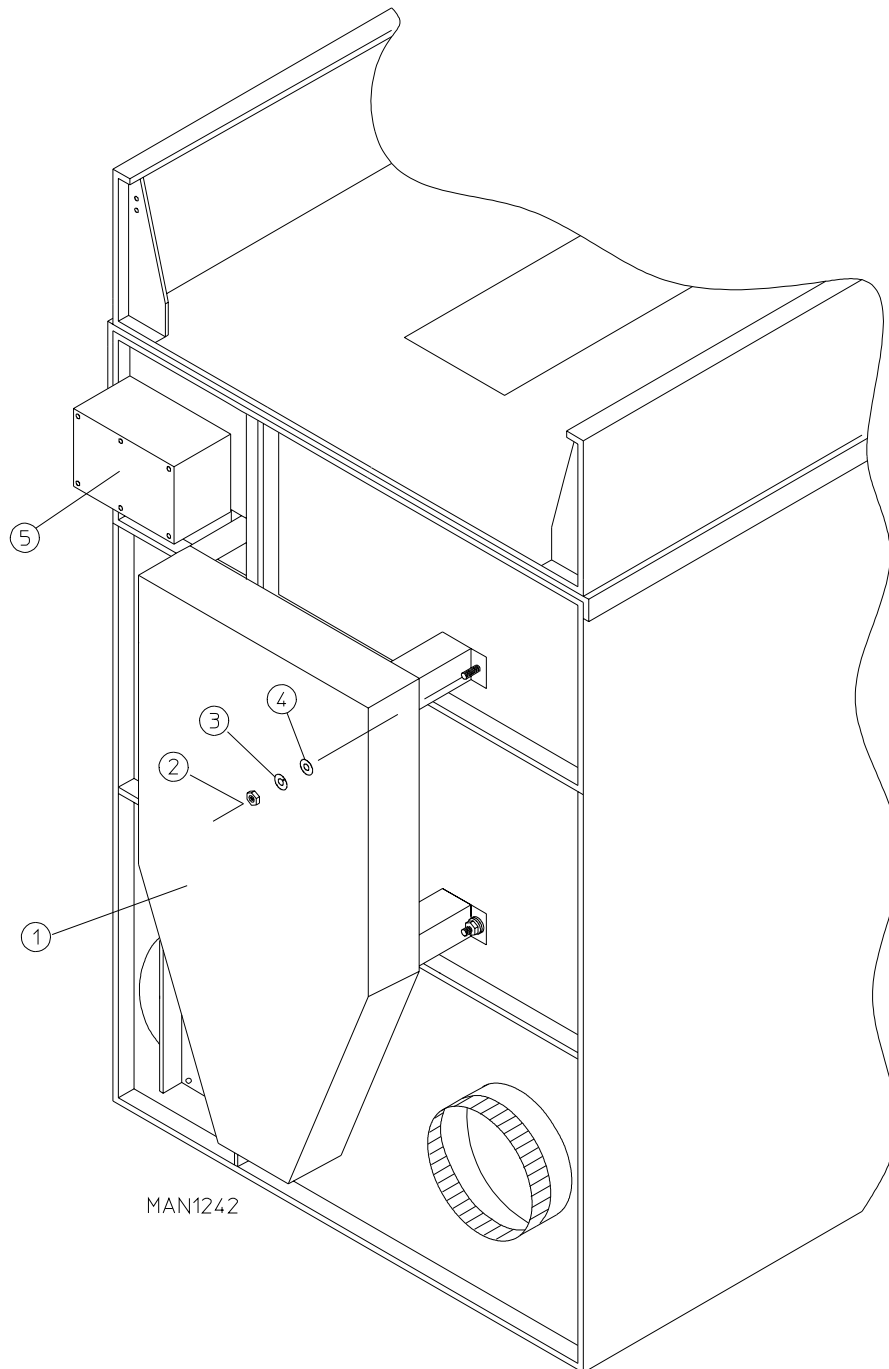
<u>Illus. No.</u>	<u>Part No.</u>	<u>Qty.</u>	<u>Description</u>
1	150301	6	#8-18 x 7/16" Phillips Pan Head TEK Screw
2	322815	1	Control Box Cover Plate (8-1/2" x 15-1/2") (for models mfd. as of January 4, 1993)
	322808	1	Control Box Cover Plate (8-1/2" x 12") (for models mfd. prior to January 4, 1993)
3	137060	1	Arc Suppressor Board (3)
4	137013	4	Nylon Standoff
5	153002	1	5/16" Lock Washer
6	152004	1	5/16-18 Hex Nut
7	150108	4	#8-32 x 1/2" Pan Head Machine Screw
8	120704	1	3-Position Power Distribution Block
9	132445	1	Impellor (Fan / Blower) Contactor
10	322816	1	Contacting Mounting Panel (7" x 15-1/2") (for models mfd. as of January 4, 1993)
	322807	1	Contacting Mounting Panel (7" x 10-1/2") (for models mfd. prior to January 4, 1993)
11	151001	4	#8-32 Pal Nut
12	150108	4	#8-32 x 1/2" Pan Head Machine Screw
13	132431	1	Reversing Contactor – 24 VAC
	132432	1	Contacting Replacement Coil – 24 VAC
14	151001	4	#8-32 Pal Nut
15	132023	1	208-240 Volt Step Down Transformer – 24 VAC
	132059	1	380 Volt Step Down Transformer – 24 VAC
	132062	1	416 Volt Step Down Transformer – 24 VAC
	132053	1	460 / 480 Volt Step Down Transformer – 24 VAC
16	150300	2	#10 x 1/2" Hex Washer TEK Screw

Timer Reversing Control Box Assembly



MAN2031

Illus. No.	Part No.	Qty.	Description
1	150301	6	#8-18 x 7/16" Phillips Pan Head TEK Screw
2	322815	1	Control Box Cover Plate (8-1/2" x 15-1/2") (for models mfd. as of January 4, 1993)
	322808	1	Control Box Cover Plate (8-1/2" x 12") (for models mfd. prior to January 4, 1993)
3	132198	1	Reversing Timer (50/60 Hz) – 24 VAC
4	150108	2	#8-32 x 1/2" Pan Head Machine Screw
5	153002	1	5/16" Lock Washer
6	152004	1	5/16-18 Hex Nut
7	150108	4	#8-32 x 1/2" Pan Head Machine Screw
8	120704	1	3-Position Power Distribution Block
9	132445	1	Impellor (Fan / Blower) Contactor
10	322816	1	Contactor Mounting Panel (7" x 15-1/2") (for models mfd. as of January 4, 1993)
	322807	1	Contactor Mounting Panel (7" x 10-1/2") (for models mfd. prior to January 4, 1993)
11	151001	4	#8-32 Pal Nut
12	150108	4	#8-32 x 1/2" Pan Head Machine Screw
13	132431	1	Reversing Contactor – 24 VAC
	132432	1	Contactor Replacement Coil – 24 VAC
14	151001	4	#8-32 Pal Nut
15	132023	1	208-240 Volt Step Down Transformer – 24 VAC
	132059	1	380 Volt Step Down Transformer – 24 VAC
	132062	1	416 Volt Step Down Transformer – 24 VAC
	132053	1	460 / 480 Volt Step Down Transformer – 24 VAC
16	150300	2	#10 x 1/2" Hex Washer TEK Screw



<u>Illus. No.</u>	<u>Part No.</u>	<u>Qty.</u>	<u>Description</u>
1	820908	1	Back Guard Assembly (for Gas Models)
	820978	1	Back Guard Assembly (for Steam Models)
2	152004	4	3/8-16 Hex Nut
3	153002	4	3/8" Lock Washer
4	153001	4	3/8" Flat Washer
5	322815	1	Control Box Cover Plate (8-1/2" x 15-1/2") (for models mfd. as of January 4, 1993)
	322808	1	Control Box Cover Plate (8-1/2" x 12") (for models mfd. prior to January 4, 1993)

Additional Parts Available

<u>Part No.</u>	<u>Description</u>
112027	"Water Washed Fabrics" Label
112040	"Lint Compartment" Label
112041	"Caution – Exhausted" Label
112534	"Phase 5 OPL Program Location Summary" Label
117505	Aluminum Duct Tape (sold by the foot)
120100	3/8" Straight (BX) Connector
120300	3/8" x 45° (BX) Connector
120400	3/8" Red Jacket (BX) Insulator
120500	3/8" Jiffy Clip (BX Retainer Clip)
120600	3/8" Greenfield (BX)
120800	1/4" In-Line Connector
120802	Red Butt Connector
120902	#74B Wire Nut
120903	Crimp-On Wire Nut
121014	1/4" Insulated (female) Terminal
121499	4" Harness Tie
121500	7" Harness Tie
121503	Harness Tie Mounting Clip
122804	Manometer (water column test gauge)
404500	Almond Brush-In-Cap Bottle Touch-Up Paint
404502	White Brush-In-Cap Bottle Touch-Up Paint
404506	Almond "B" Brush-In-Cap Bottle Touch-Up Paint
404507	Cornflower Blue Brush-In-Cap Bottle Touch-Up Paint

