



AD-285 Parts Manual 24 VAC Phase 5 1992 thru 2002

American Dryer Corporation
88 Currant Road
Fall River, MA 02720-4781
Telephone: (508) 678-9000 / Fax: (508) 678-9447
E-mail: techsupport@amdry.com
www.amdry.com

Retain This Manual In A Safe Place For Future Reference

American Dryer Corporation products embody advanced concepts in engineering, design, and safety. If this product is properly maintained, it will provide many years of safe, efficient, and trouble free operation.

ONLY qualified technicians should service this equipment.

OBSERVE ALL SAFETY PRECAUTIONS displayed on the equipment or specified in the installation manual included with the dryer.

The following “**FOR YOUR SAFETY**” caution **must be** posted near the dryer in a prominent location.

FOR YOUR SAFETY

Do not store or use gasoline or other flammable vapors and liquids in the vicinity of this or any other appliance.

POUR VOTRE SÉCURITÉ

Ne pas entreposer ni utiliser d'essence ni d'autres vapeurs ou liquides inflammables à proximité de cet appareil ou de tout autre appareil.

We have tried to make this manual as complete as possible and hope you will find it useful. **ADC** reserves the right to make changes from time to time, without notice or obligation, in prices, specifications, colors, and material, and to change or discontinue models.

Important

For your convenience, log the following information:

DATE OF PURCHASE _____ **MODEL NO.** AD-285

RESELLER'S NAME _____

Serial Number(s) _____

Replacement parts can be obtained from your reseller or the **ADC** factory. When ordering replacement parts from the factory, you can FAX your order to **ADC** at (508) 678-9447 or telephone your order directly to the **ADC** Parts Department at (508) 678-9000. Please specify the dryer **model number** and **serial number** in addition to the **description** and **part number**, so that your order is processed accurately and promptly.

The illustrations on the following pages may not depict your particular dryer exactly. The illustrations are a composite of the various dryer models. Be sure to check the descriptions of the parts thoroughly before ordering.

“IMPORTANT NOTE TO PURCHASER”

Information **must be** obtained from your local gas supplier on the instructions to be followed if the user smells gas. These instructions **must be** posted in a prominent location near the dryer.

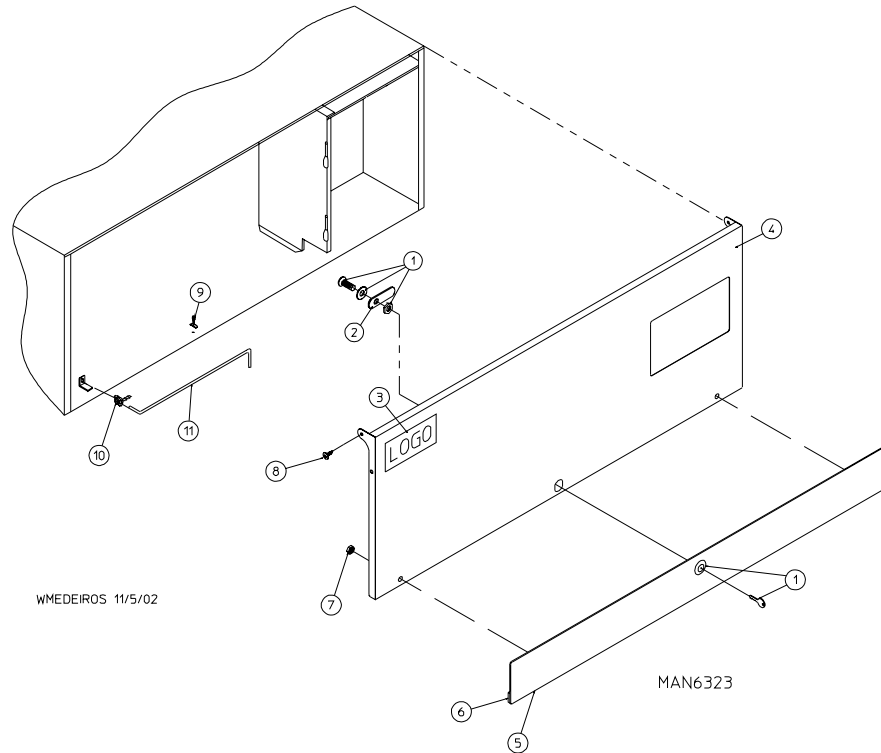
Table of Contents

Coin Control Door Assembly	
For Models Mfd. as of July 15, 2002	3
High Security Control Door Assembly	
For Models Mfd. prior to July 15, 2002	4
Phase 5 Coin Microprocessor Control Panel Assembly	
For Models Mfd. as of July 15, 2002	5
Phase 5 Coin Microprocessor Control Panel Assembly	
For Models Mfd. prior to July 15, 2002	6
Phase 5 OPL Microprocessor Control Panel Assembly	7
Phase 5 Coin and OPL Microprocessor Control Box Assembly	8
Dual Timer “Tap Touch” Controls	
For Models Mfd. as of November 3, 2000	9
Dual Timer Control Panel Assembly	
For Models Mfd. prior to November 3, 2000	10
Dual Timer Control Box Assembly	11
Non-Microprocessor Coin Meter Control Panel Assembly	
For Models Mfd. as of January 25, 2002	12
Non-Microprocessor Coin Meter Control Panel Assembly	
For Models Mfd. prior to January 25, 2002	13
Non-Microprocessor Coin Control Box Assembly	14
Coin Meter Replacement Parts	15
Coin Vault Assembly	16, 17
Main Door “Steel” Assembly	18, 19
Plastic Main Door Assembly	20
Cold Rolled Steel (CRS) Main Door Switch Assembly	21
Plastic Main Door Switch Assembly	22
Cold Rolled Steel (CRS) Door Front Panel	23
Front Panel Assembly (for Models with Plastic Main Door)	24
Lint Trap Assembly	25

Hinged Lint Door Assembly	26
Drop Lint Door Assembly	
For Models Mfd. as of July 15, 2002	27
Drop Lint Door Assembly	
For Models Mfd. prior to July 15, 2002	28, 29
Basket (Tumbler)/Support Assemblies	30, 31
Basket (Tumbler) Bearing Assembly	
For Models Mfd. as of April 27, 2001	32, 33
Basket (Tumbler) Bearing Assembly	
For Models Mfd. prior to April 27, 2001	34, 35
Idler Bearing Assembly	36, 37
Motor Mount Assembly	38, 39
Sensor Bracket Assemblies	40, 41
Direct Spark Ignition (DSI) Burner Assembly	
For Models Mfd. as of April 10, 2000	42, 43
Direct Spark Ignition (DSI) Burner Assembly	
For Models Mfd. prior to April 10, 2000	44, 45
Sail Switch/Hi-Limit Assemblies	46
Single-Phase (1 ϕ) Motor, Electric Relay Panel Assembly	47
3-Phase (3 ϕ) Motor, Electric Relay Panel Assembly	48
Outer Top/Back Guard Assemblies	49
Microprocessor Coin Acceptors Listing	50
Step Down Transformer Usage Listing	51
Additional Parts Available	52

Coin Control Door Assembly

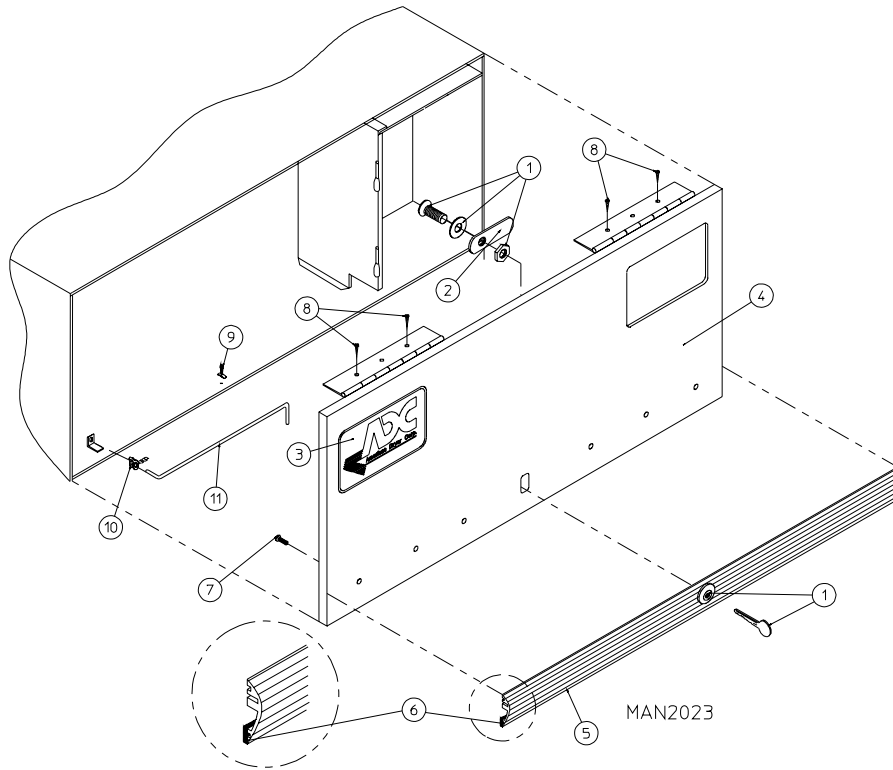
For Models Mfd. as of July 15, 2002



Illus. No.	Part No.	Qty.	Description
1	160038	1	Control Door Lock with Cam (no key) (for models mfd. between October 3, 2002 and November 12, 2002)
	160015	1	High Security MK-100 Lock Assembly with Key (for models mfd. prior to October 3, 2002)
	160140	1	Key ONLY (XX4451) (for models mfd. as of October 3, 2002)
	160104	1	MK-100 Key ONLY (for models mfd. prior to October 3, 2002 and as of November 12, 2002)
2	160016	1	Lock Cam ONLY
3	881053	1	ADC Logo with Tape
4	883676	1	White Control Door Assembly with Black Trim (includes illus. nos. 4 through 7)
	883678	1	Ivory Control Door with Black Trim (includes illus. nos. 4 through 7)
	883677	1	Coral Blue Control Door with Black Trim (includes illus. nos. 4 through 7)
	883700	1	Stainless Steel Control Door with Black Trim (includes illus. nos. 4 through 7)
5	883675	1	Black Trim Strip with Lock Hole
6	117604	6	Neoprene Sponge Tape (sold by the foot)
7	152014	4	1/4-20 Free Spin Wash Nut
8	150317	2	#10-16 x 3/4" TORX + BTN, Type 1
	150318	1	Torx Plus Bit
9	102603	1	Control Door Support Rod Catch
10	102601	1	Control Door Rod Retainer Clip
11	102503	1	Control Door Support Rod

High Security Control Door Assembly

For Models Mfd. prior to July 15, 2002

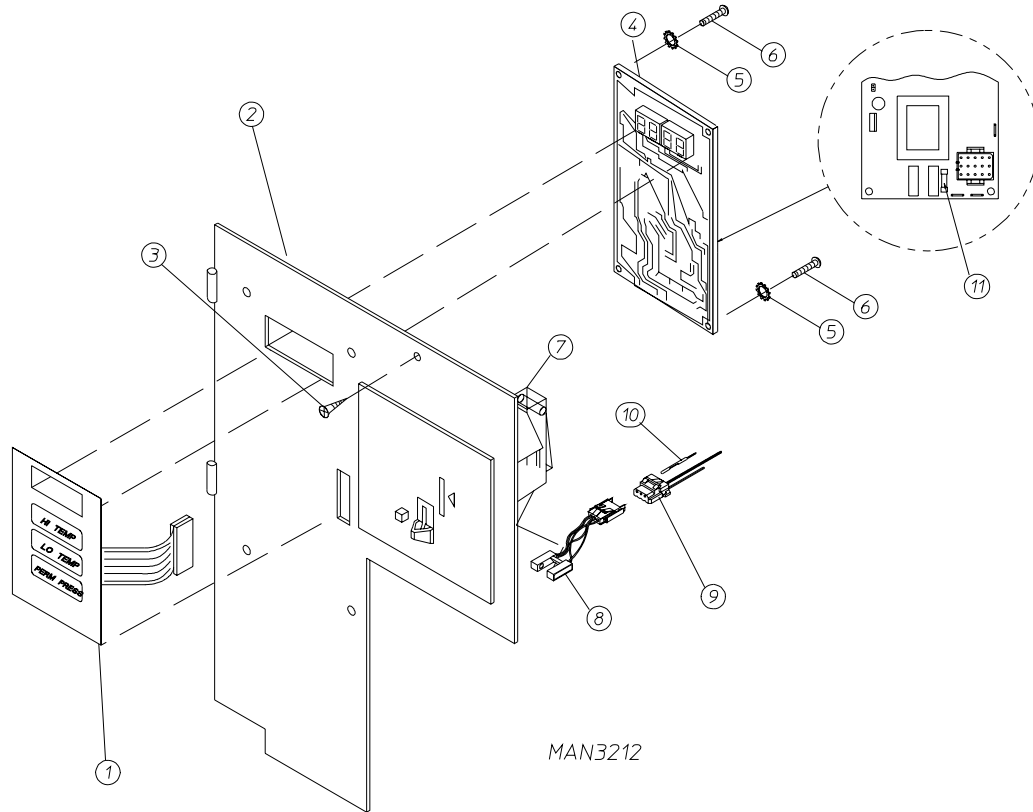


Illus. No.	Part No.	Qty.	Description
1	160015	1	High Security MK-100 Lock Assembly with Key (for coin models Only)
	160104	1	MK-100 Key ONLY
	160017	1	Special Dummy Lock ONLY (for non-coin models Only)
2	160016	1	Lock Cam ONLY
3	881053	1	ADC Logo with Tape
	870011	1	Double Sided Tape Kit
4	800019*	1	Gray Trim High Security Control Door Assembly Less Lock (includes illus. nos. 4 through 7)
	880230*	1	Black Trim High Security Control Door Assembly Less Lock (includes illus. nos. 4 through 7)
	800143	1	Gray Trim High Security Stainless Steel Control Door Assembly Less Lock (includes illus. nos. 4 through 7)
	883015	1	Black Trim High Security Stainless Steel Control Door Assembly Less Lock
5	180203	1	Top Gray Trim Strip with Lock Hole
	180303	1	Top Black Trim Strip with Lock Hole
6	117603	3	Suppression Tape/Gasket (sold by the foot)
7	150201	5	#10-32 x 1/4" Phillips Round Head Machine Screw
8	150300	4	#10-16 x 1/2" Hex Washer TEK Screw
9	102603	1	Control Door Support Rod Catch
10	102601	1	Control Door Rod Retainer Clip
11	102503	1	Control Door Support Rod

* Specify color when ordering.

Phase 5 Coin Microprocessor Control Panel Assembly

For Models Mfd. as of July 15, 2002



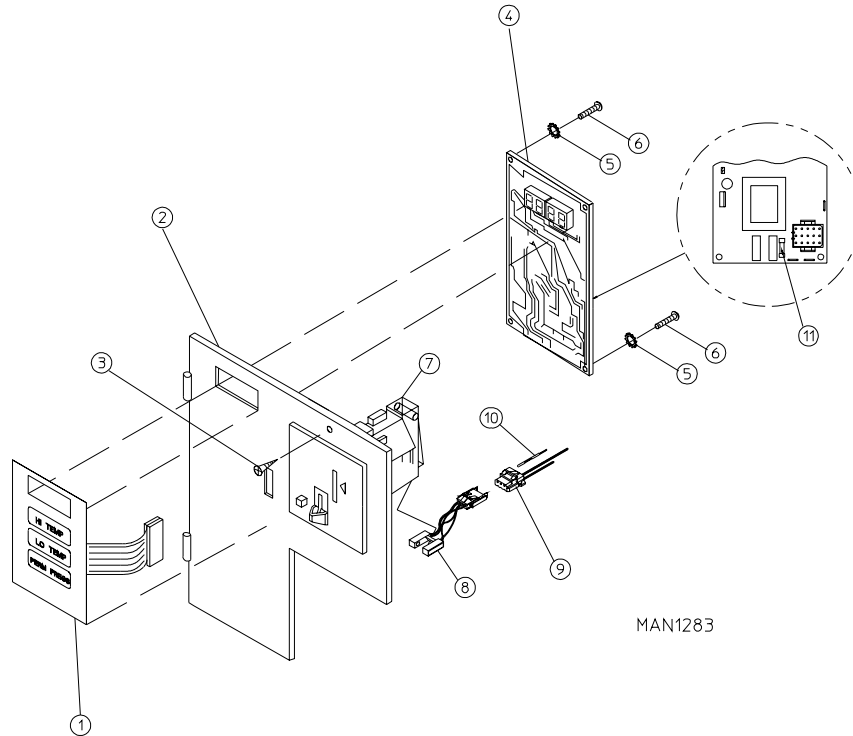
MAN3212

Illus. No.	Part No.	Qty.	Description
1	112526	1	Coin Keyboard Label Assembly
2	881506	1	Coin Control Panel Assembly Less Acceptor (includes illus. nos. 1, 2, 4 through 6, and 11)
	881507	1	Coin Control Panel Assembly with Battery Bracket Less Acceptor (includes illus. nos. 1, 2, 4 through 6, and 11)
	881540	1	Coin Control Panel ONLY
	881430	1	Coin Control Panel with Battery Bracket ONLY
3	150309	1	#10-16 x 1/2" Hex Head TEK Crimpite Screw
4	137213	1	Phase 5 Coin Controller ONLY
	824998	1	Phase 5 Battery Clip
5	153010	2	#6 Star Washer
6	150005	2	#6-32 x 1/4" Phillips Round Head Machine Screw
7	-----	1*	Microprocessor Coin Acceptor with Optical Switch (refer to Microprocessor Coin Acceptors Listing on page 50)
8	-----	1*	Optic Switch ONLY (refer to Microprocessor Coin Acceptors Listing on page 50)
9	137023	1*	Optic Switch Connector ONLY
10	137021	3*	Microprocessor Socket ONLY
	880772	1	Single Coin Optical Switch Harness
	824080	1	Dual Coin Optical Switch Harness
	122800	1	Microprocessor (female) Pin Extraction Tool
11	136048	1	1/8-Amp (Slo-Blo) Fuse ONLY

* For dual coin models, double the quantity.

Phase 5 Coin Microprocessor Control Panel Assembly

For Models Mfd. prior to July 15, 2002



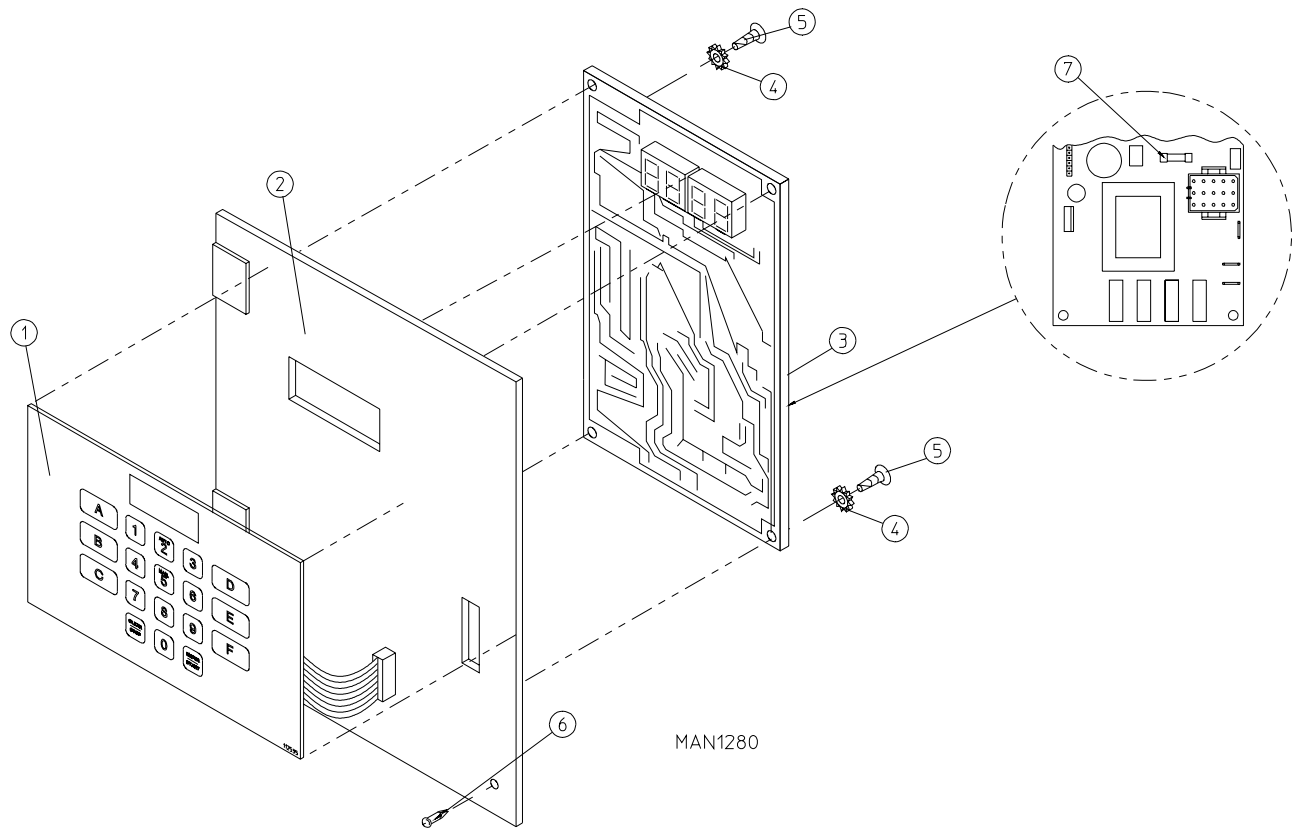
MAN1283

Illus. No.	Part No.	Qty.	Description
1	112526	1	Coin Keyboard Label Assembly
2	801213	1	Phase 5 Coin Control Panel Assembly (includes illus. nos. 1, 2, 4 through 6, and 11)
	801229	1	Phase 5 Coin Control Panel Assembly with Battery Option (includes illus. nos. 1, 2, 4 through 6, and 11)
	801259	1	Coin Control Panel ONLY
	801258	1	Coin Control Panel with Battery Bracket
3	150415	1	#10-16 x 1/2" Phillips Round Head Crimptite Screw
4	137213	1	Phase 5 Coin Controller ONLY
	824998	1	Phase 5 Battery Clip
5	153010	2	#6 Star Washer
6	150005	2	#6-32 x 1/4" Phillips Round Head Machine Screw
7	-----	1*	Microprocessor Coin Acceptor with Optical Switch (refer to Microprocessor Coin Acceptors Listing on page 50)
8	-----	1*	Optic Switch ONLY (refer to Microprocessor Coin Acceptors Listing on page 50)
9	137023	1*	Optic Switch Connector ONLY
10	137021	3*	Microprocessor Socket ONLY
	880772	1	Single Coin Optical Switch Harness
	824080	1	Dual Coin Optical Switch Harness
	122800	1	Microprocessor (female) Pin Extraction Tool
11	136048	1	1/8-Amp (Slo-Blo) Fuse ONLY

* For dual coin models, double the quantity.

IMPORTANT: Check label on computer chip to verify correct part number of controller.

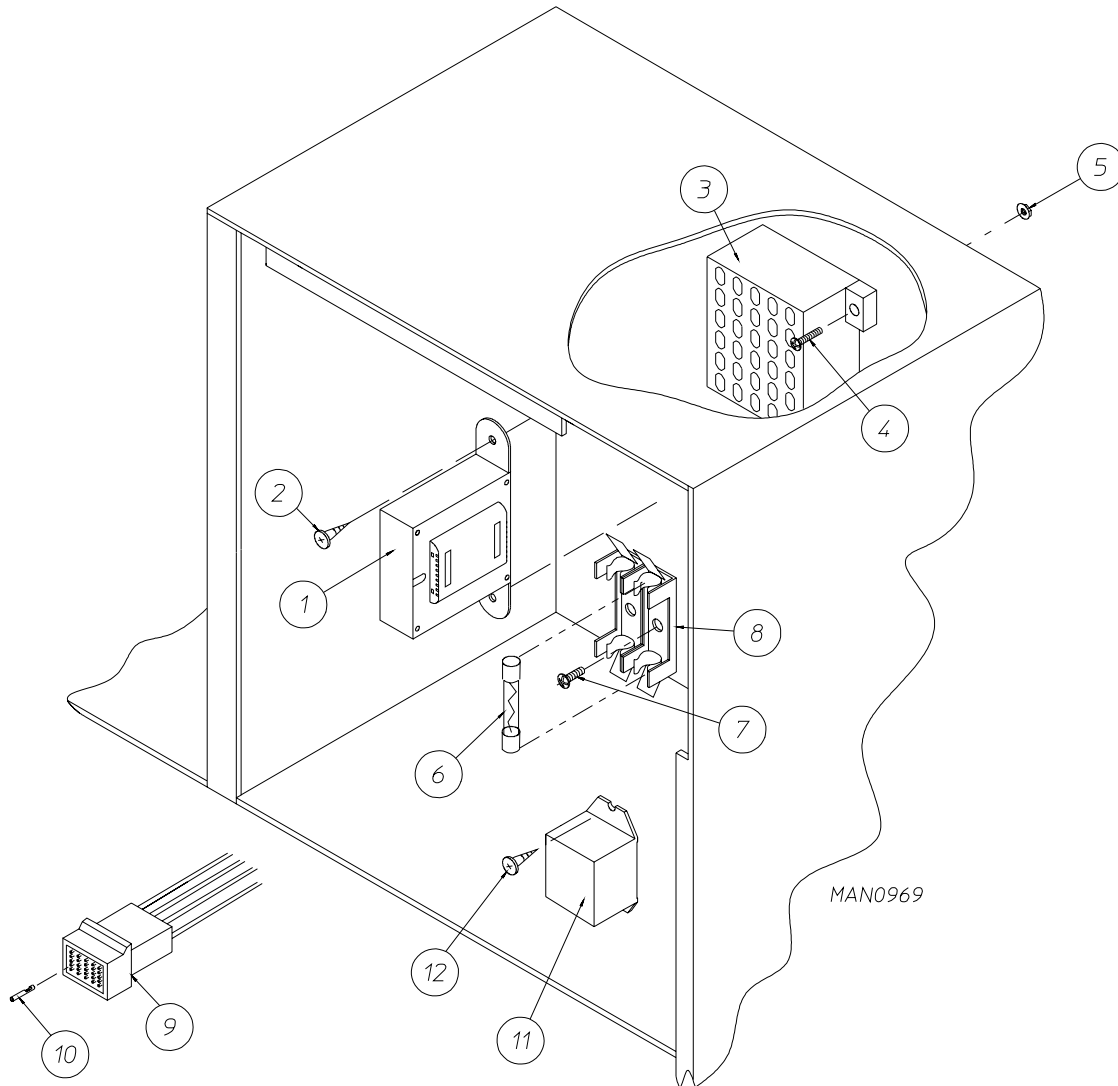
Phase 5 OPL Microprocessor Control Panel Assembly



Illus. No.	Part No.	Qty.	Description
1	112535	1	OPL English Keyboard Label Assembly
	112276	1	OPL Stick-On Labels (English Only)...Not Illustrated
	112275	1	3-Language OPL Stick-On Labels (Spanish, Italian, and Hebrew)...Not Illustrated
	112277	1	3-Language OPL Stick-On Labels (English, Spanish, and Hebrew)...Not Illustrated
	112278	1	5-Language OPL Stick-On Labels (Italian, Dutch, French, German, and Chinese)...Not Illustrated
2	801255	1	Phase 5 Microprocessor Control Panel ONLY
	801256	1	Phase 5 Microprocessor Control Panel ONLY with Battery Bracket Complete
	801206	1	Phase 5 OPL Non-Reversing Microprocessor Control Panel Assembly (includes illus. nos. 1 through 7)
3	137222	1	Phase 5 OPL Non-Reversing Controller ONLY
	824998	1	Phase 5 Battery Clip
4	153010	2	#6 Star Washer
5	150005	2	#6-32 x 3/4" Phillips Round Head Machine Screw
6	150415	1	#10-16 x 1/2" Phillips Round Head CrimpTite Screw (for models mfd. as of March 1, 1994)
	160005	1	Spring Turn Latch (2-piece) (for models mfd. prior to March 1, 1994)
7	136048	1	1/8-Amp (Slo-Blo) Fuse ONLY

IMPORTANT: Check label on computer chip to verify correct part number of controller.

Phase 5 Coin and OPL Microprocessor Control Box Assembly

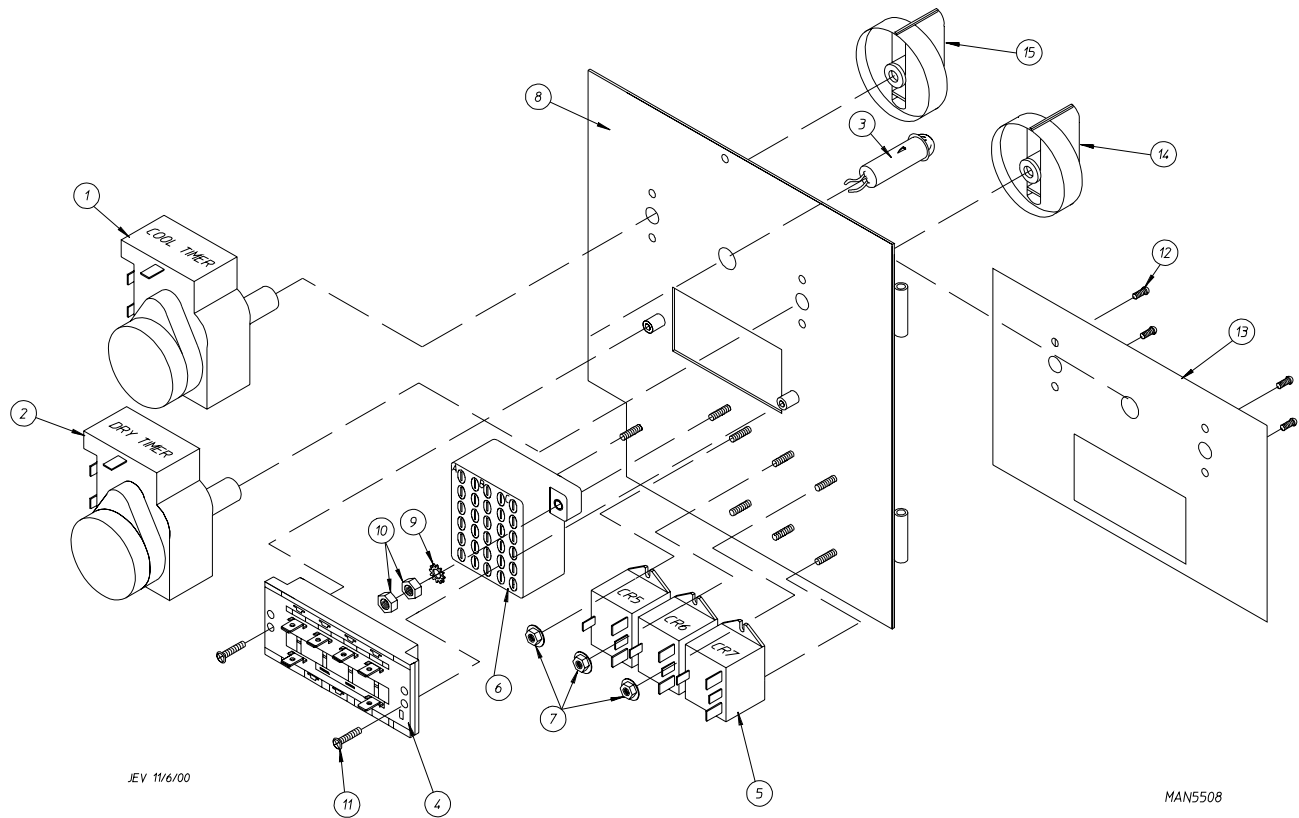


Illus. No.	Part No.	Qty.	Description
1	-----	1	Step Down Transformer (refer to Step Down Transformer Usage Listing on page 51)
2	150300	2	#10-16 x 1/2" Hex Washer TEK Screw
3	120715	1	30-Position Terminal Block
4	150002	2	#6-32 x 1" Phillips Pan Head Machine Screw
5	151000	2	#6-32 Pal Nut
6	136057	*	1/2-Amp (Slo-Blo) Fuse
7	150301	*	#8-18 x 7/16" Phillips Pan Head TEK Screw
8	136008	*	Fuse Block/Strip ONLY
9	122641	1	15-Pin Microprocessor Connector
10	122706	*	Socket Terminal ONLY
11	131931	1	Steam Valve Relay (for mechanical steam damper models Only) 24 VAC
12	150415	2	#10-16 x 1/2" Phillips Round Head Crimptite Screw

* As required.

Dual Timer “Tap Touch” Controls

For Models Mfd. as of November 3, 2000

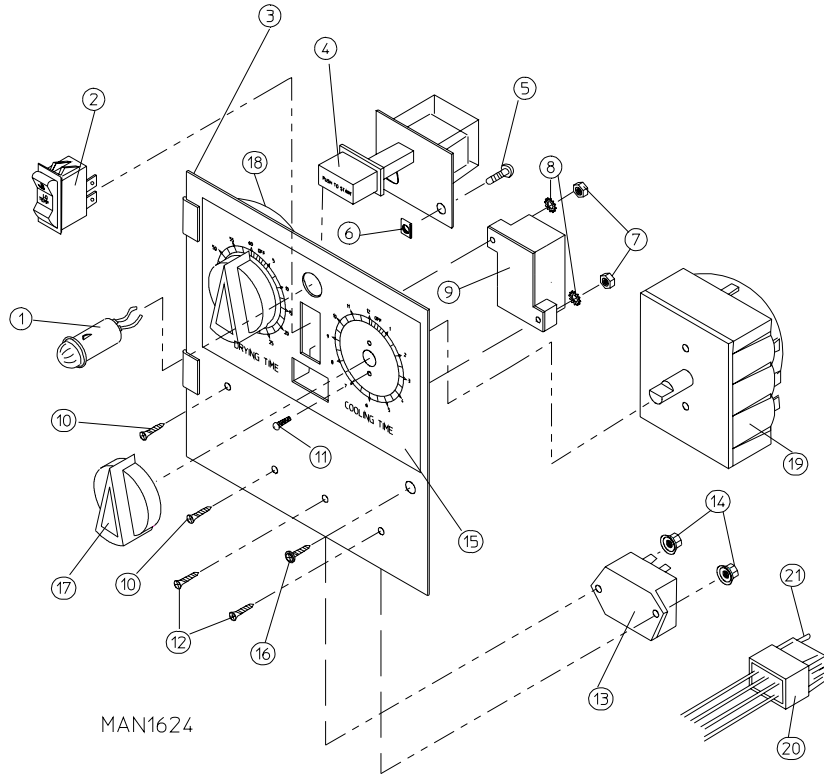


Illus. No.	Part No.	Qty.	Description
1	124030	1	15 Minute Timer - 24 VAC
2	124025	1	60 Minute Timer - 24 VAC
3	824175	1	Red Pilot Light - 24 VAC
4	122301	1	“Tap Touch” Switch
5	131932	3	Relay SPST 24v
6	120730	1	30-Position Terminal Block
7	151000	6	#6-32 Pal Nut
8	-----	*	Dual Timer Panel Complete (includes illus. nos. 1 through 15)
	-----	*	Dual Timer Panel ONLY
9	153010	2	#6 Star Washer
10	152000	3	#6-32 Hex Nut
11	150207	2	#10-24 x 1/2” Phillips Pan Head Machine Screw
12	150110	4	#8-32 x 1/4” Phillips Round Head Machine Screw
13	112563	1	Dual Timer Panel Overlay
14	124104	1	Pure Touch Knob with Red Pointer
15	124105	1	Pure Touch Knob with Blue Pointer

* Not available at time of printing. Consult factory for parts.

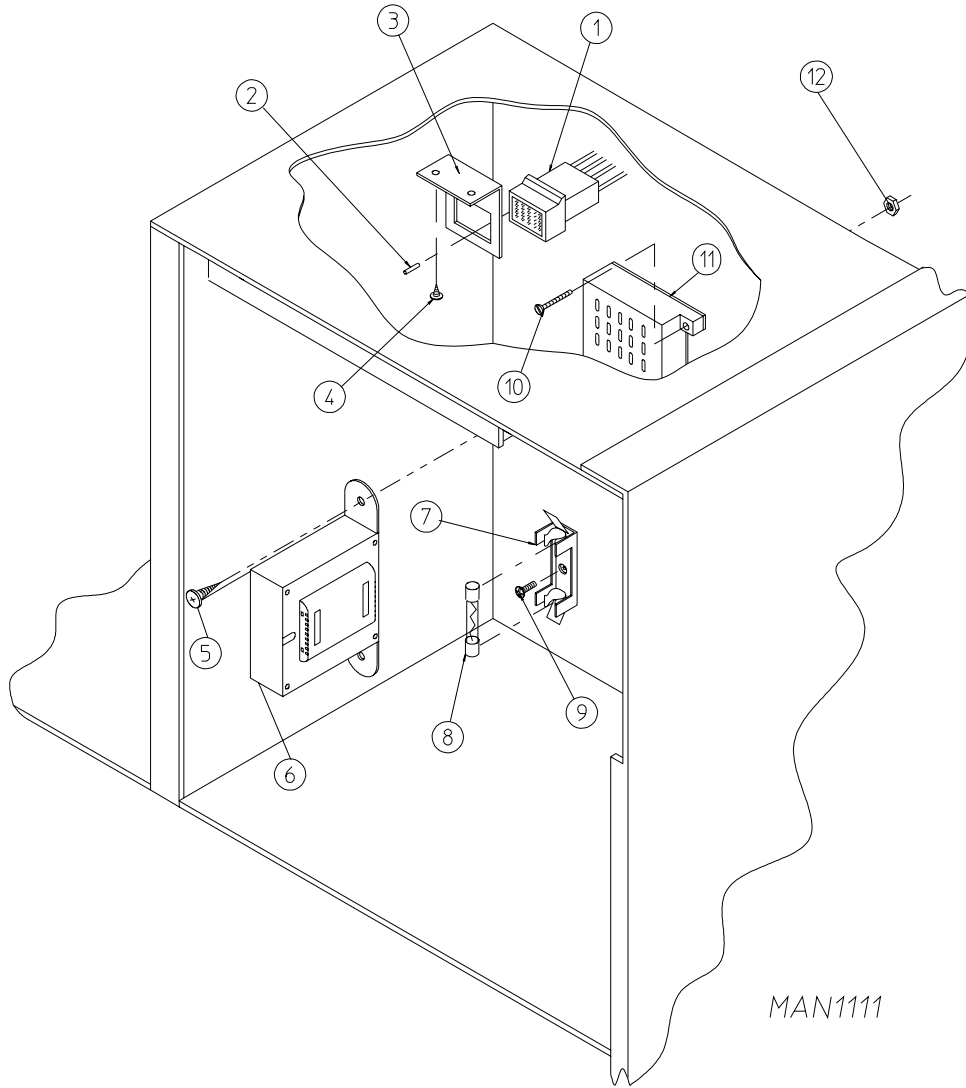
Dual Timer Control Panel Assembly

For Models Mfd. prior to November 3, 2000



Illus. No.	Part No.	Qty.	Description
1	123005	1	Red Indicator Light - 24 VAC
2	122400	1	Rocker Heat Selector Switch
3	824015	1	Dual Timer Control Panel Assembly Complete - 24 VAC (includes illus. nos. 1 through 21)
	800051	1	Dual Timer Control Panel ONLY
4	131917	1	Push-To-Start Relay - 24 VAC
5	150207	2	#10-24 x 1/2" Round Head Machine Screw
6	154001	2	#10-24 Speed Nut
7	152000	2	#6-32 Hex Nut
8	153010	2	#6 Star Washer
9	120713	1	18-Position Terminal Block
10	150002	2	#6-32 x 1" Round Head Machine Screw
11	150110	4	#8-32 x 1/4" Phillips Machine Screw
12	150001	2	#6-32 x 1/2" Phillips Round Head Machine Screw
13	131931	1	Dual Timer Relay - 24 VAC
14	151000	2	#6-32 Pal Nut
15	112050	1	Dual Timer Label ONLY
16	150415	1	#10-16 x 1/2" Phillips Round Head Crimpite Screw (for models mfd. as of March 1, 1994)
17	124103	2	Arrow Timer Knob
18	124025	1	60 Minute Timer - 24 VAC
19	124030	1	15 Minute Timer - 24 VAC
20	122602	1	9-Pin Connector ONLY
21	122700	8	Pin Terminal ONLY
	122801	1	Pin/Socket Extraction Tool...Not Illustrated

Dual Timer Control Box Assembly



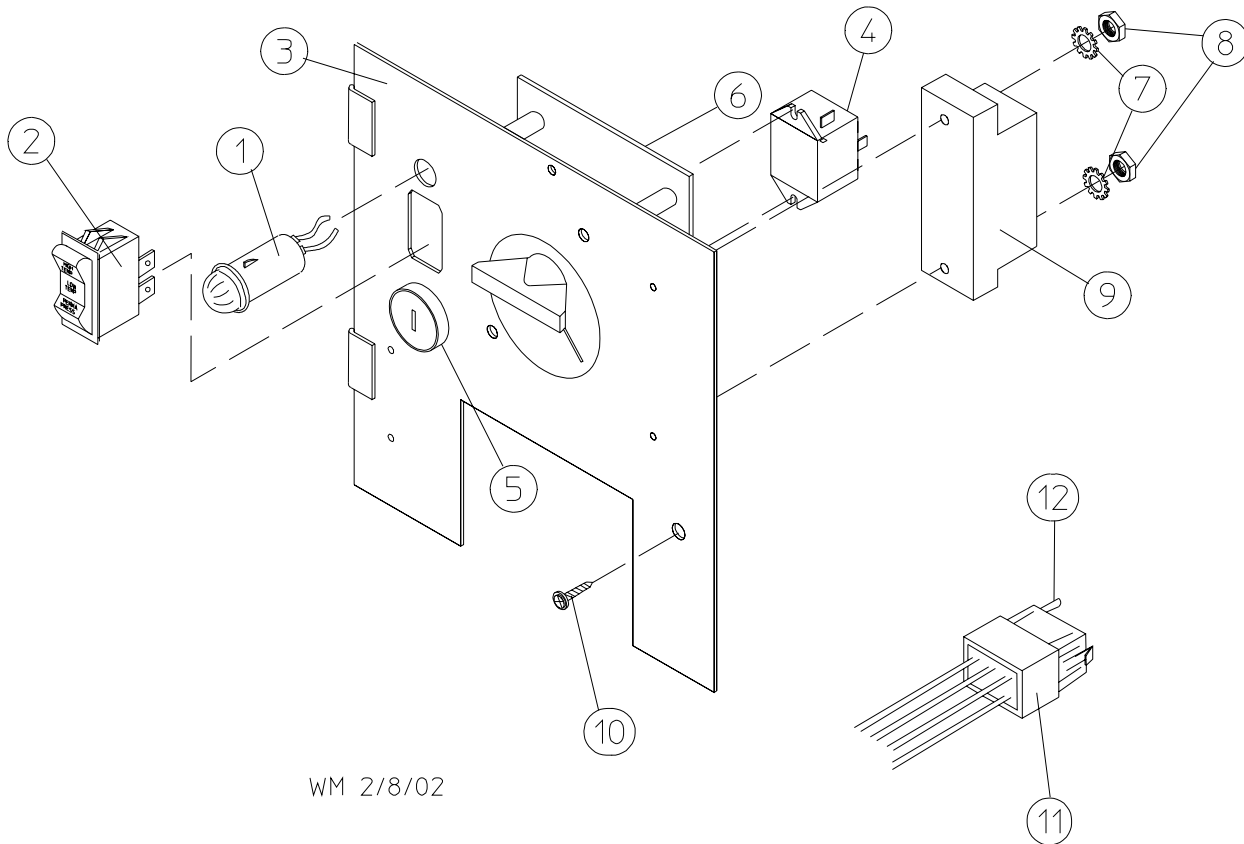
Illus. No.	Part No.	Qty.	Description
1	122603	1	9-Pin Socket Connector
2	122701	8	Socket Terminal ONLY
	122801	1	Pin/Socket Extraction Tool...Not Illustrated
3	315010	1	9-Pin Connector Bracket
4	150300	2	#10-16 x 1/2" Hex Washer TEK Screw
5	150300	2	#10-16 x 1/2" Hex Washer TEK Screw
6	-----	1	Step Down Transformer (refer to Step Down Transformer Usage Listing on page 51)
7	136008	*	Fuse Block/Strip ONLY
8**	136057	*	1/2-Amp (Slo-Blo) Fuse
9	150301	*	#8-18 x 7/16" Phillips Pan Head TEK Screw
10	150002	2	#6-32 x 1" Slotted Round Head Machine Screw
11	120715	1	30-Position Terminal Block
12	151000	2	#6-32 Pal Nut

* As required.

** Check fusing on dryer for verification.

Non-Microprocessor Coin Meter Control Panel Assembly

For Models Mfd. as of January 25, 2002



WM 2/8/02

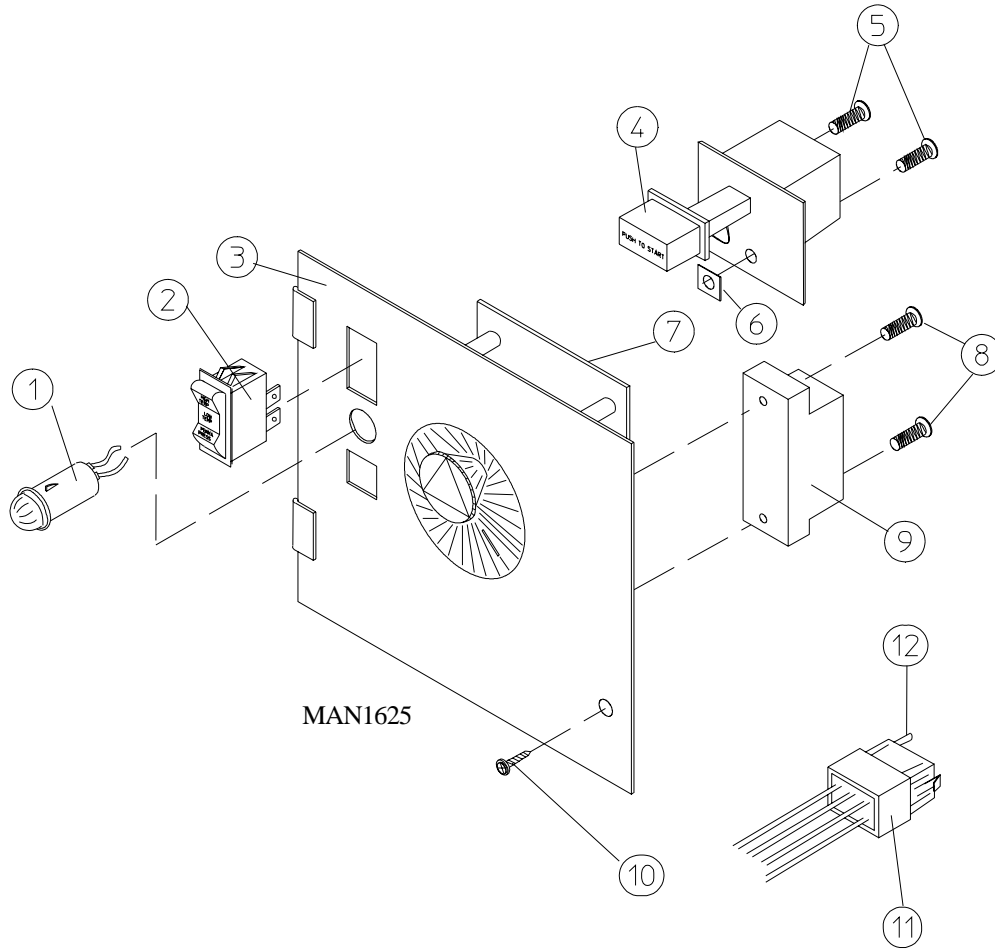
MAN6086

Illus. No.	Part No.	Qty.	Description
1	123005	1	Red Indicator Light - 24 VAC
2	122400	1	Rocker Heat Selector Switch
3	883688	1	Coin Meter Control Panel Assembly Less Coin Meter (includes illus. nos. 2 through 5, 7, and 8)
	883687	1	Coin Meter Control Panel ONLY
4	131932	1	24 VAC Relay
	154001	2	#10-24 Speed Nut (used on P/N: 131932, 24 VAC relay)
5	123225	1	Green Push-To-Start Button
6	125601	1	25¢ Coin Meter - 24 VAC (specify timing)
7	153010	2	#6 Star Washer
8	152016	2	#4-40 Hex Nut
9	120712	1	12-Position Terminal Block
10	150300	1	#10-16 x 1/2" Hex Washer TEK Screw
11	122602	1	9-Pin Connector
12	122700	7	Pin Terminal ONLY
	122801	1	Pin/Socket Extraction Tool...Not Illustrated

NOTE: For Coin Meter Replacement Parts refer to page 15.

Non-Microprocessor Coin Meter Control Panel Assembly

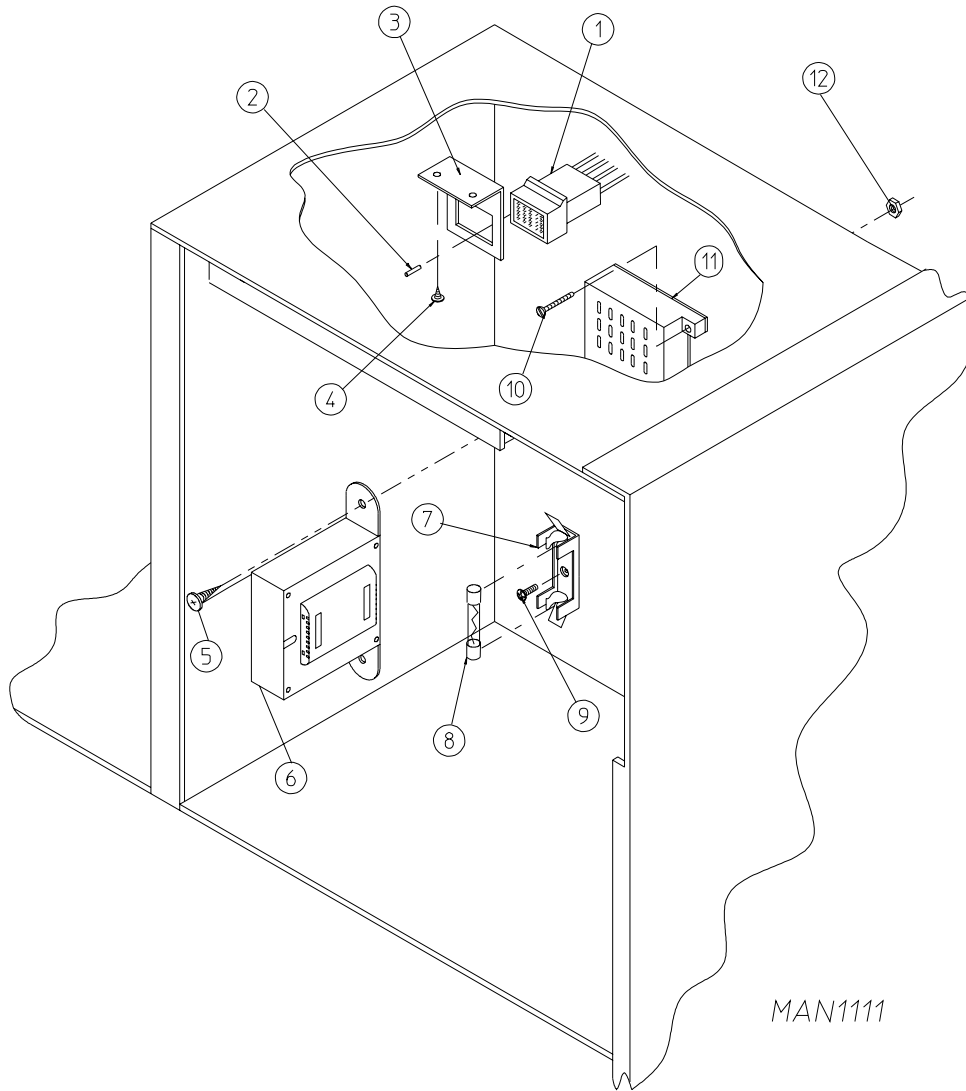
For Models Mfd. prior to January 25, 2002



Illus. No.	Part No.	Qty.	Description
1	123005	1	Red Indicator Light - 24 VAC
2	122400	1	Rocker Heat Selector Switch
3	824020	1	Coin Meter Control Panel Assembly Complete Less Meter - 24 VAC (includes illus. nos. 1 through 6 and 8 through 12)
	800054	1	Coin Meter Control Panel ONLY
4	131917	1	Push-To-Start Relay - 24 VAC
5	150207	2	#10-24 x 1/2" Round Head Machine Screw
6	154001	2	#10-24 Speed Nut
7*	125601	1	25¢ Coin Meter - 24 VAC (specify timing)
8	150303	2	#4 x 3/4" Pan Head "A" Screw
9	120712	1	12-Position Terminal Block
10	150415	1	#10-16 x 1/2" Phillips Round Head Crimptite Screw (for models mfd. as of March 1, 1994)
	160005	1	Spring Turn Latch (2-piece) (for models mfd. as of March 3, 1994)
11	122602	1	9-Pin Connector ONLY
12	122700	9	Pin Terminal ONLY
	122801	1	Pin/Socket Extraction Tool...Not Illustrated

* Consult factory for coin meters not listed.

Non-Microprocessor Coin Control Box Assembly

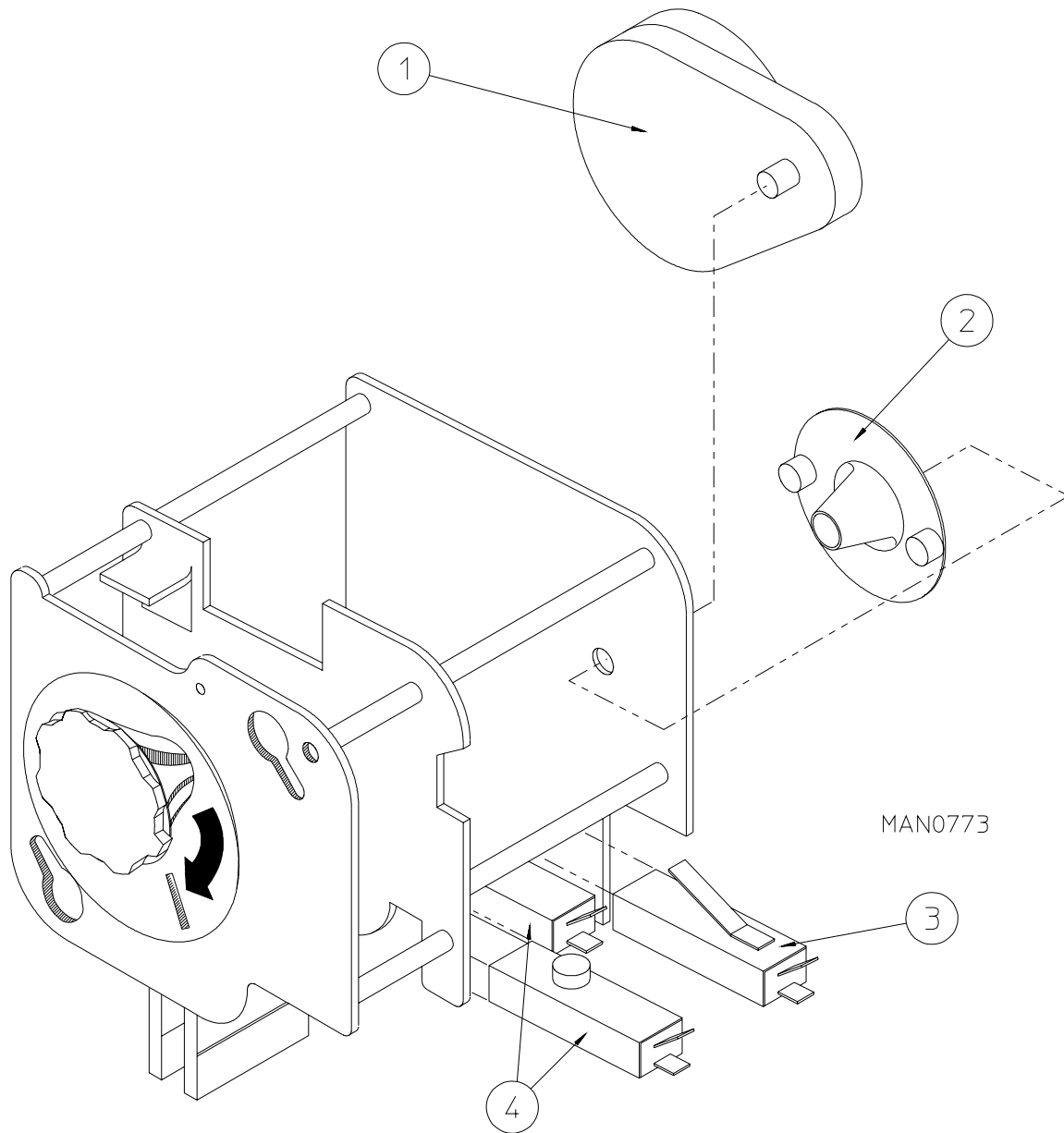


Illus. No.	Part No.	Qty.	Description
1	122603	1	9-Pin Socket Connector
2	122701	8	Socket Terminal ONLY
	122801	1	Pin/Socket Extraction Tool...Not Illustrated
3	315010	1	9-Pin Connector Bracket
4	150300	2	#10-16 x 1/2" Hex Washer TEK Screw
5	150300	2	#10-16 x 1/2" Hex Washer TEK Screw
6	-----	1	Step Down Transformer (refer to Step Down Transformer Usage Listing on page 51)
7	136008	*	Fuse Block/Strip ONLY
8**	136057	*	1/2-Amp (Slo-Blo) Fuse
9	150301	*	#8-18 x 7/16" Phillips Pan Head TEK Screw
10	150002	2	#6-32 x 1" Slotted Round Head Machine Screw
11	120715	1	30-Position Terminal Block
12	151000	2	#6-32 Pal Nut

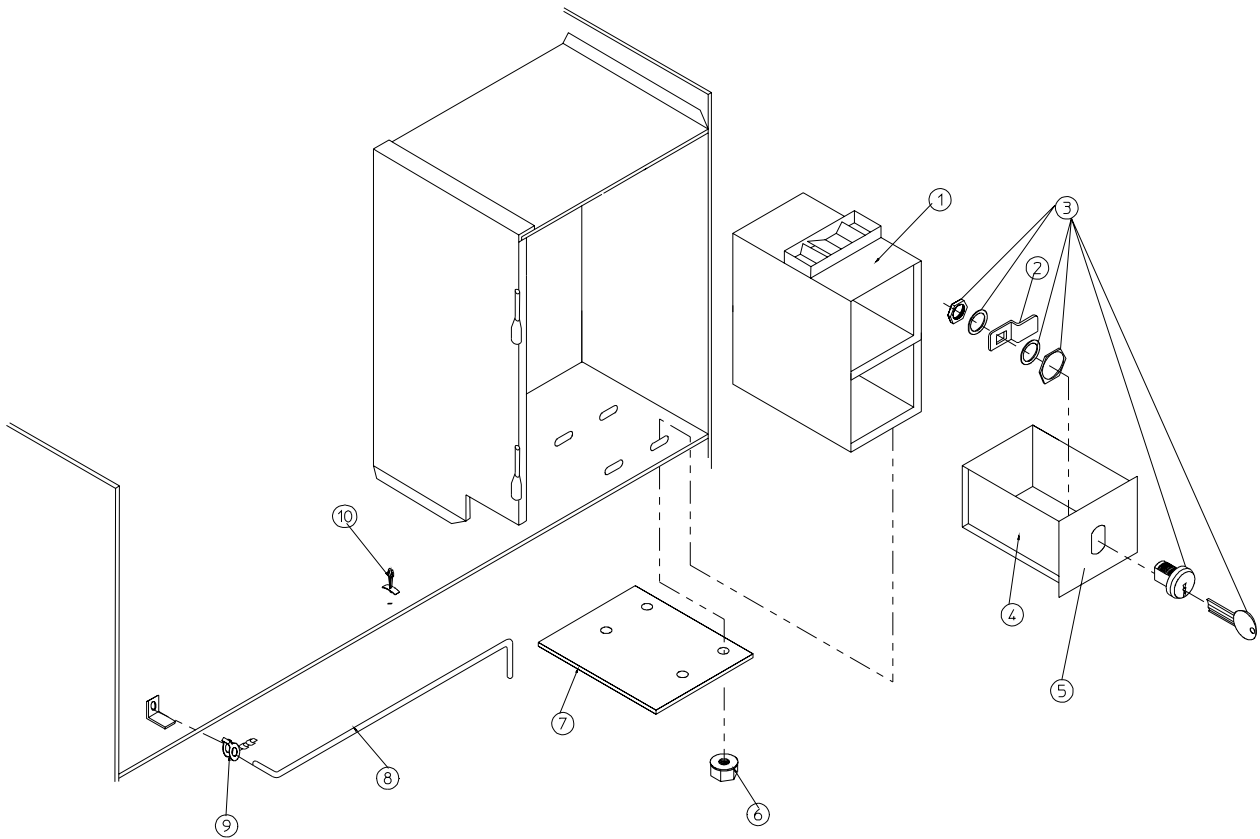
* As required.

** Check fusing on dryer for verification.

Coin Meter Replacement Parts



Illus. No.	Part No.	Qty.	Description
1	125541	1	1/60 RPM 24 VAC/60 Hz Meter Motor
	125540	1	1/30 RPM 24 VAC/50 Hz Meter Motor
2	125500	1	2-Point Cam
	125501	1	3-Point Cam
	125502	1	4-Point Cam
	125503	1	5-Point Cam
	125504	1	6-Point Cam
	125506	1	8-Point Cam
	125507	1	9-Point Cam
	125508	1	10-Point Cam
	125510	1	12-Point Cam
	3	125515	1
4	125516	2	Meter Switch "A" or "C"



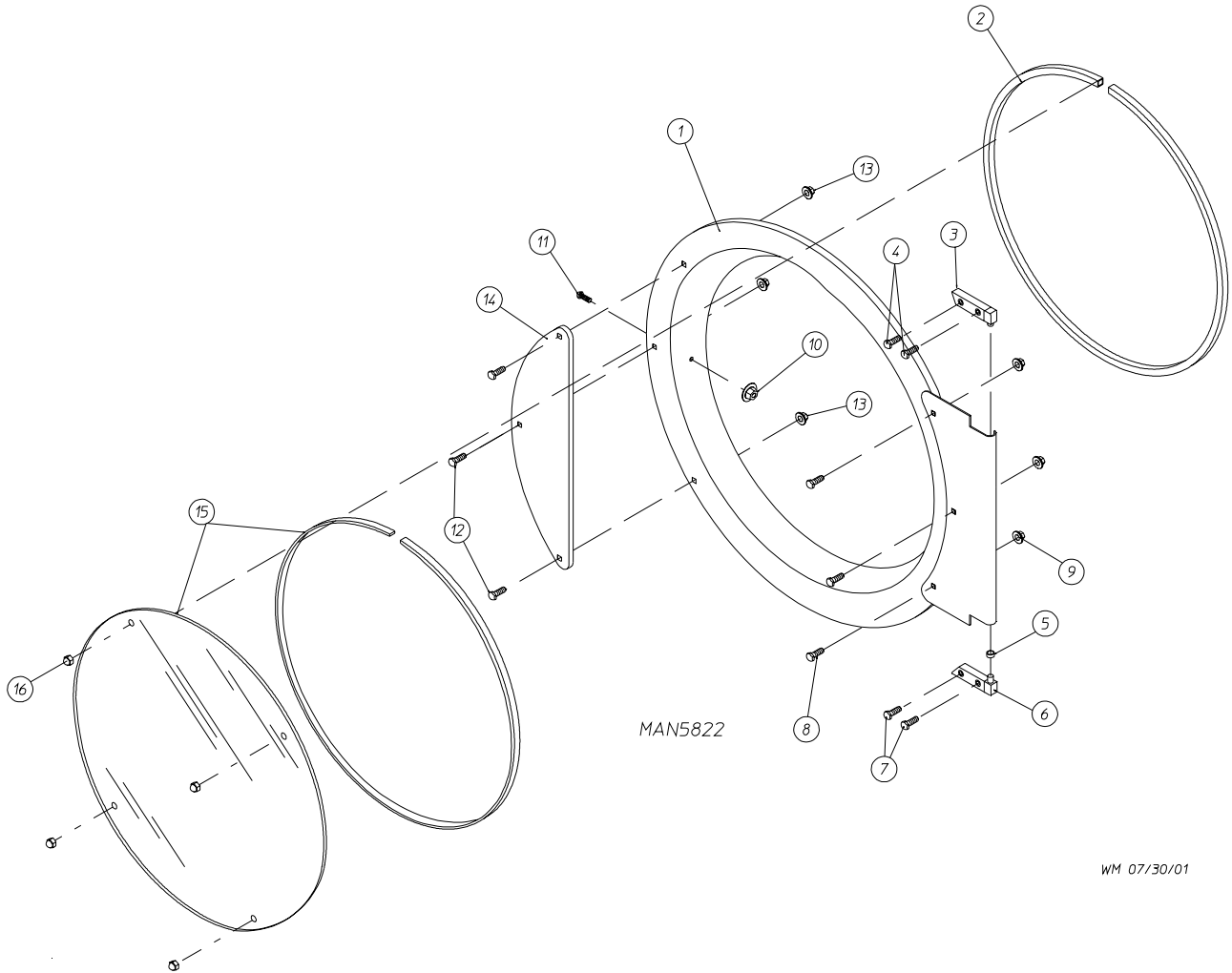
MAN0136

Coin Vault Assembly

Illus. No.	Part No.	Qty.	Description
1	802131	1	Microprocessor Coin Vault Assembly Complete (includes illus. nos. 1 through 6)
	802130	1	Non-Microprocessor Coin Vault Assembly Complete (includes illus. nos. 1 through 6)
	802121	1	Microprocessor Coin Vault ONLY
	802120	1	Non-Microprocessor Coin Vault ONLY
2	160028	1	Cam for 1/4-Turn Lock ONLY
3	875061	1	1/4-Turn Lock Assembly (includes illus. nos. 2 and 3)
	160007	1	1/4-Turn Lock with Key ONLY
	160105*	1	1/4-Turn Mer-Pel Key ONLY
4	802020	1	1/4-Turn Coin Box Assembly (includes illus. nos. 2 through 5)
	802019	1	1/4-Turn Coin Box ONLY without Faceplate
5	802018	1	1/4-Turn Coin Box Faceplate ONLY
6	152014	4	1/4-20 Free Spin Wash Nut
7	309250	1	Coin Vault Slot Cover
8	102503	1	Control Door Support Rod
9	102601	1	Control Door Rod Retainer Clip
10	102600	1	Control Door Support Rod Catch

* Specify key number when ordering.

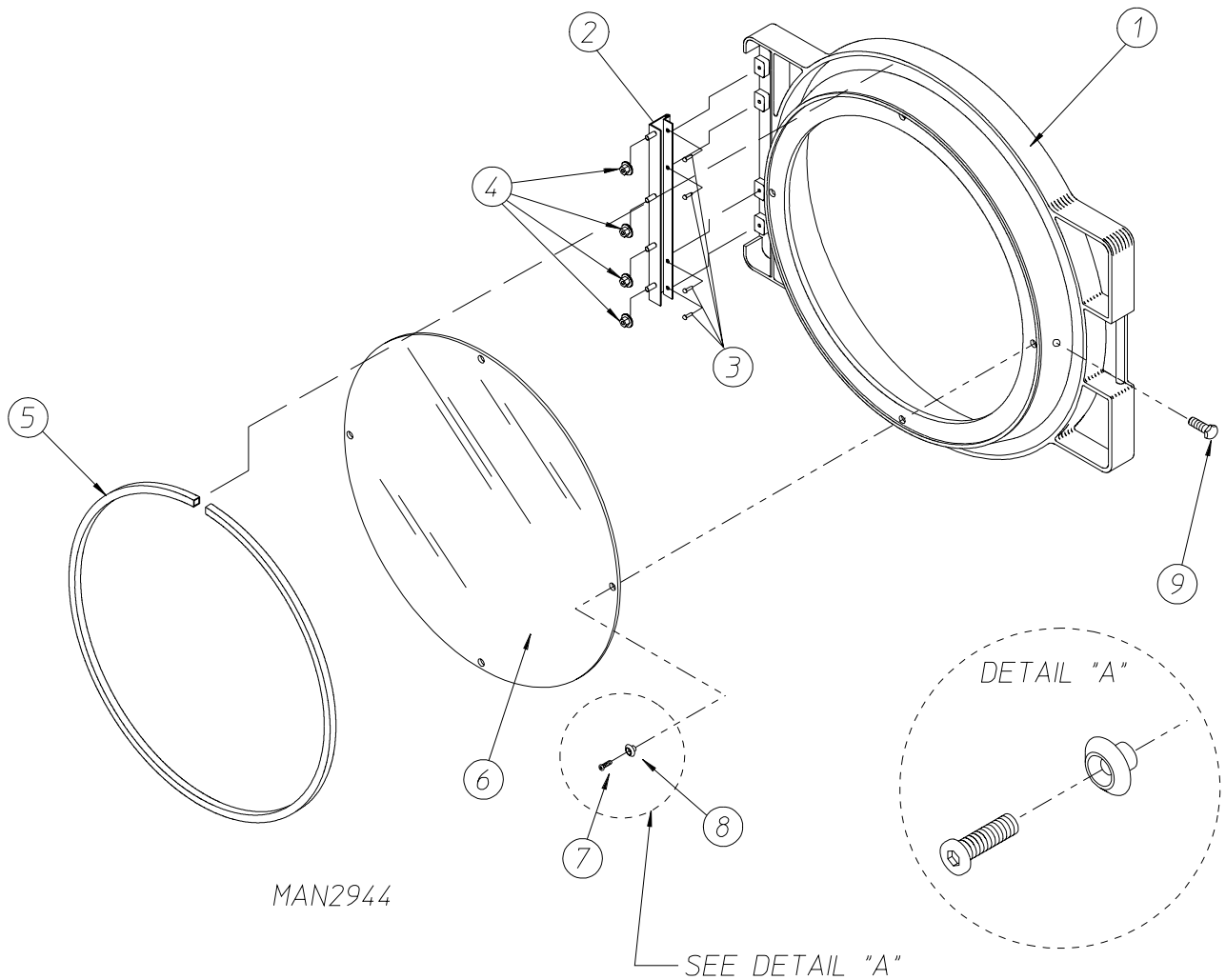
Main Door "Steel" Assembly



Main Door "Steel" Assembly

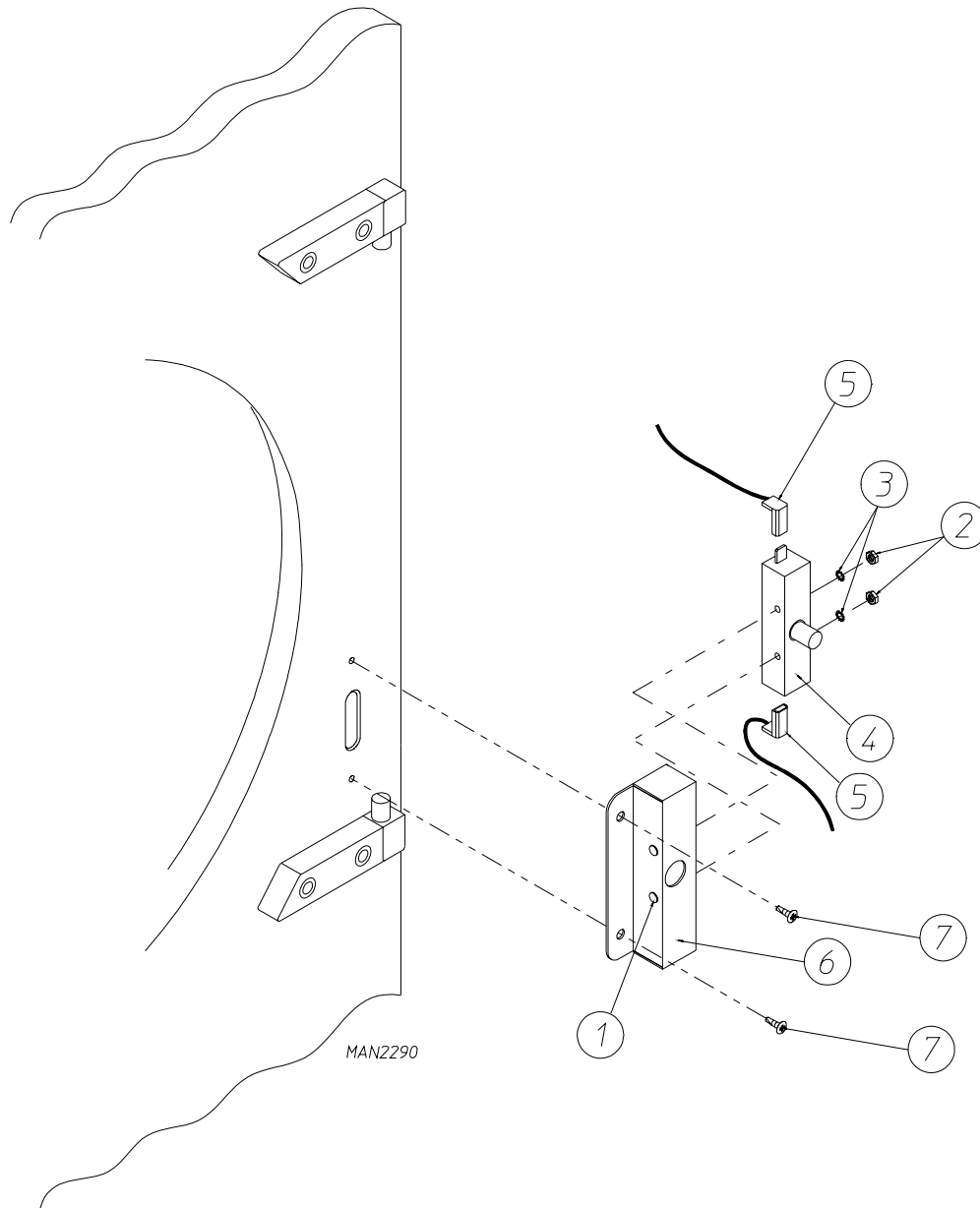
Illus. No.	Part No.	Qty.	Description
1	881150	1	Black Main Door Assembly Complete (includes illus. nos. 1, 2, and 8 through 15)
	881207	1	Stainless Steel Main Door Assembly Complete (includes illus. nos. 1, 2, and 8 through 15)
2	102354	1	Door Gasket
	170730	1	Clear Gasket Adhesive (10.3 oz. cartridge)
	170731	1	Black Gasket Adhesive (10.3 oz. cartridge)
3	881152	1	Black Top Hinge Block Assembly (includes illus. nos. 3 and 4)
	881208	1	Stainless Steel Top Hinge Block Assembly (includes illus. nos. 3 and 4)
4	150445	2	1/4-20 x 3/4" Black Cap Head Setscrew
5	153031	1	1/4" Nylon Washer
6	881151	1	Black Bottom Hinge Block Assembly (includes illus. nos. 5 through 7)
	881209	1	Stainless Steel Bottom Hinge Block Assembly
7	150445	2	1/4-20 x 3/4" Black Cap Head Setscrew
	150443	2	1/4-20 x 3/4" Stainless Steel Cap Head Setscrew
8	150683	3	1/4-20 x 5/8" Black Carriage Bolt
	150682	3	1/4-20 x 5/8" Stainless Steel Carriage Bolt (for models with stainless steel doors)
9	152014	3	1/4-20 Free Spin Wash Nut
10	151010	1	#10-32 Black Hex Acorn Nut
	151009	1	#10-32 Stainless Steel Hex Acorn Nut
11	150120	1	Door Latch Screw
12	150683	3	1/4-20 x 5/8" Black Carriage Bolt
	150682	3	1/4-20 x 5/8" Stainless Steel Carriage Bolt (for models with stainless steel doors)
13	152014	3	1/4-20 Free Spin Wash Nut
14	881210	1	Black Main Door Handle ONLY
	170333	1	Stainless Steel Main Door Handle ONLY
15	102218	1	20-7/16" Door Glass
	102360	1	Glass/Door Gasket Tape (for models mfd. as of February 9, 2001)
	170731	1	Black Glass Adhesive (10.3 oz. cartridge) For Models Mfd. prior to February 9, 2001
16	151013	4	#10-32 Black Nylon Acorn Nut

Plastic Main Door Assembly



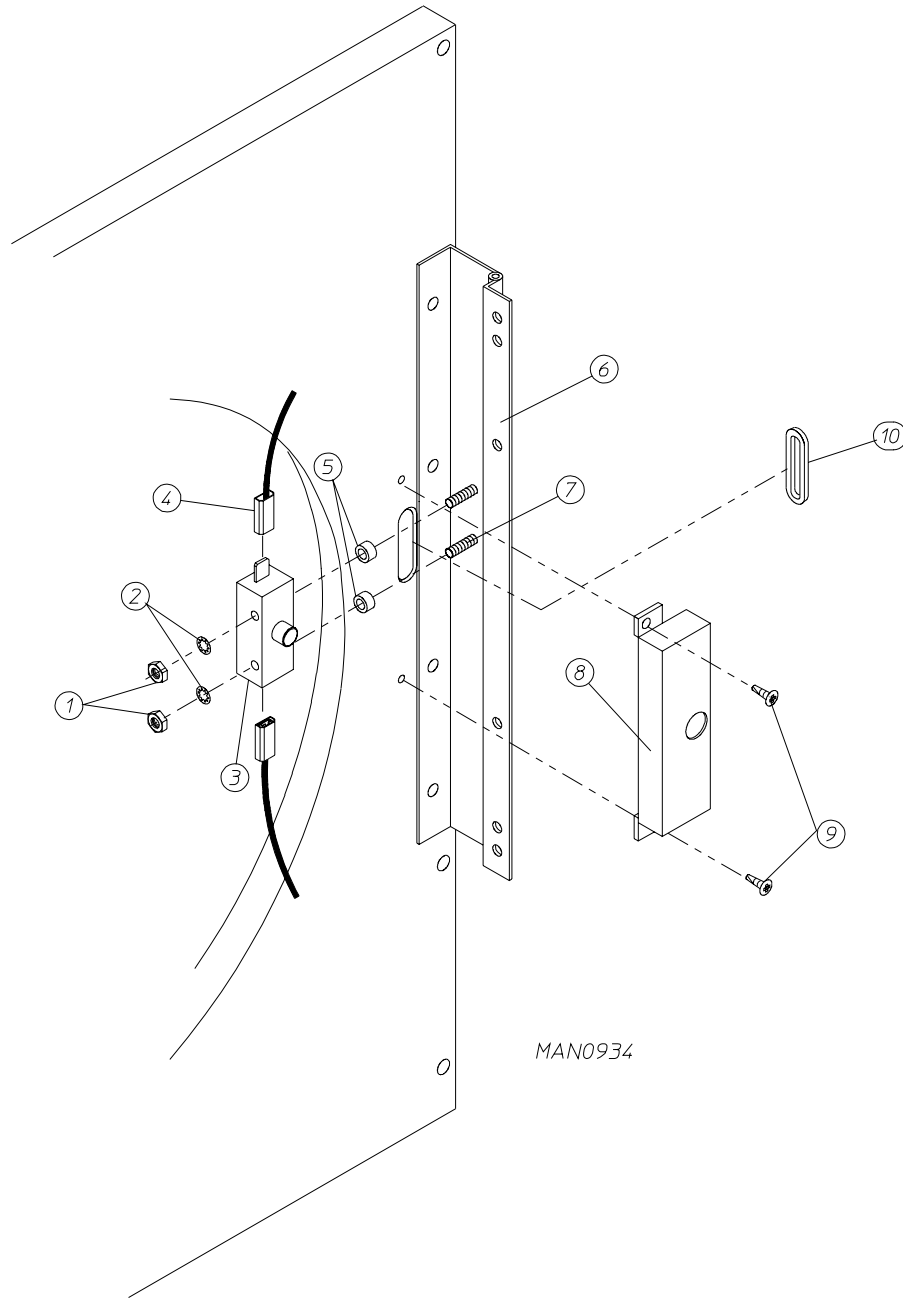
Illus. No.	Part No.	Qty.	Description
1	881422	1	Black Plastic Main Door Assembly Complete with Mechanical Fasteners (includes illus. nos. 1 and 5 through 9)
	882966	1	Formed Gray Main Door Assembly with Hinge (includes illus. nos. 1 and 5 through 9)
2	800448	1	12-1/2" Stainless Steel Main Door Hinge Assembly
3	150410	4	#10-24 x 3/8" Phillips Pan Head Taptite Screw
4	152014	4	1/4-20 Free Spin Wash Nut
5	102349	1	Main Door Gasket
6	102212	1	20-7/16" Door Glass with (4) Holes
	170730	1	Main Door Glass Adhesive (10.3 oz. cartridge)
7	150448	4	1/2" Stainless Steel Flat Head Allen Screw
8	170319	4	Door Glass (nylon) Spacer
9	150431	1	Main Door Latch Screw (#10 x 7/16" dome hex head)

Cold Rolled Steel (CRS) Main Door Switch Assembly



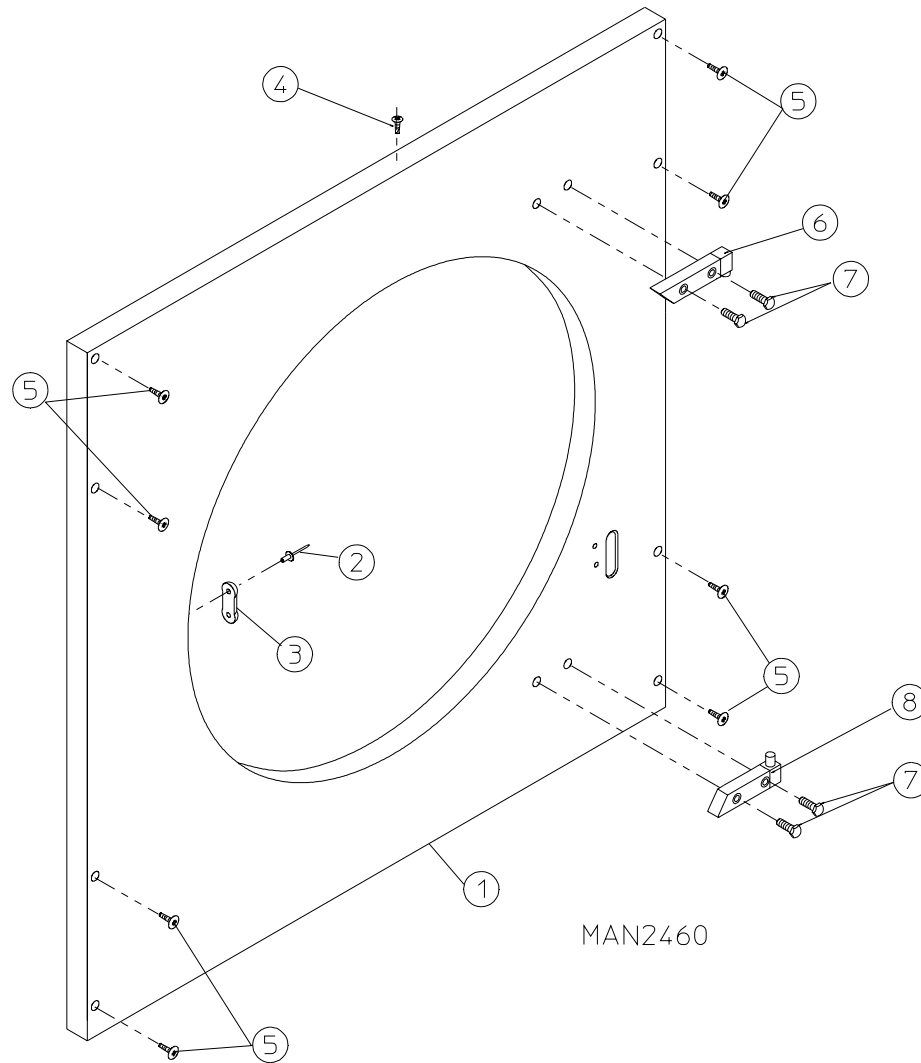
Illus. No.	Part No.	Qty.	Description
1	153566	2	#6-32 x 7/8" Clinch Stud
2	152013	2	#6-32 Hex Nut
3	153010	2	#6 Star Washer
4	137005	1	Door Switch
5	122636	2	Flag Terminal
6	881211	1	Black Main Door Switch Housing ONLY
	353209	1	Stainless Steel Main Door Switch Housing ONLY
	881153	1	Black Main Door Switch Housing Complete (includes illus. nos. 1 through 4 and 6)
	800474	1	Stainless Steel Main Door Switch Housing Complete (includes illus. nos. 1 through 4 and 6)
7	150301	2	#8-18 x 7/16" Phillips Pan Head TEK Screw

Plastic Main Door Switch Assembly



Illus. No.	Part No.	Qty.	Description
1	152013	2	#6-32 Hex Nut
2	153008	2	#6 Lock Washer
3	137005	1	Single-Pole Door Switch
4	121028	2	Insulated Female Terminal
5	154281	2	3/8" Standard Nylon Spacers
6	800448	1	12-1/2" Stainless Steel Main Door Hinge
7	153565	2	#6 Stud
8	881246	1	Main Door Switch Housing ONLY
9	150201	2	#10-32 x 1/4" Phillips Pan Head Screw
10	121405	1	Rubber Grommet

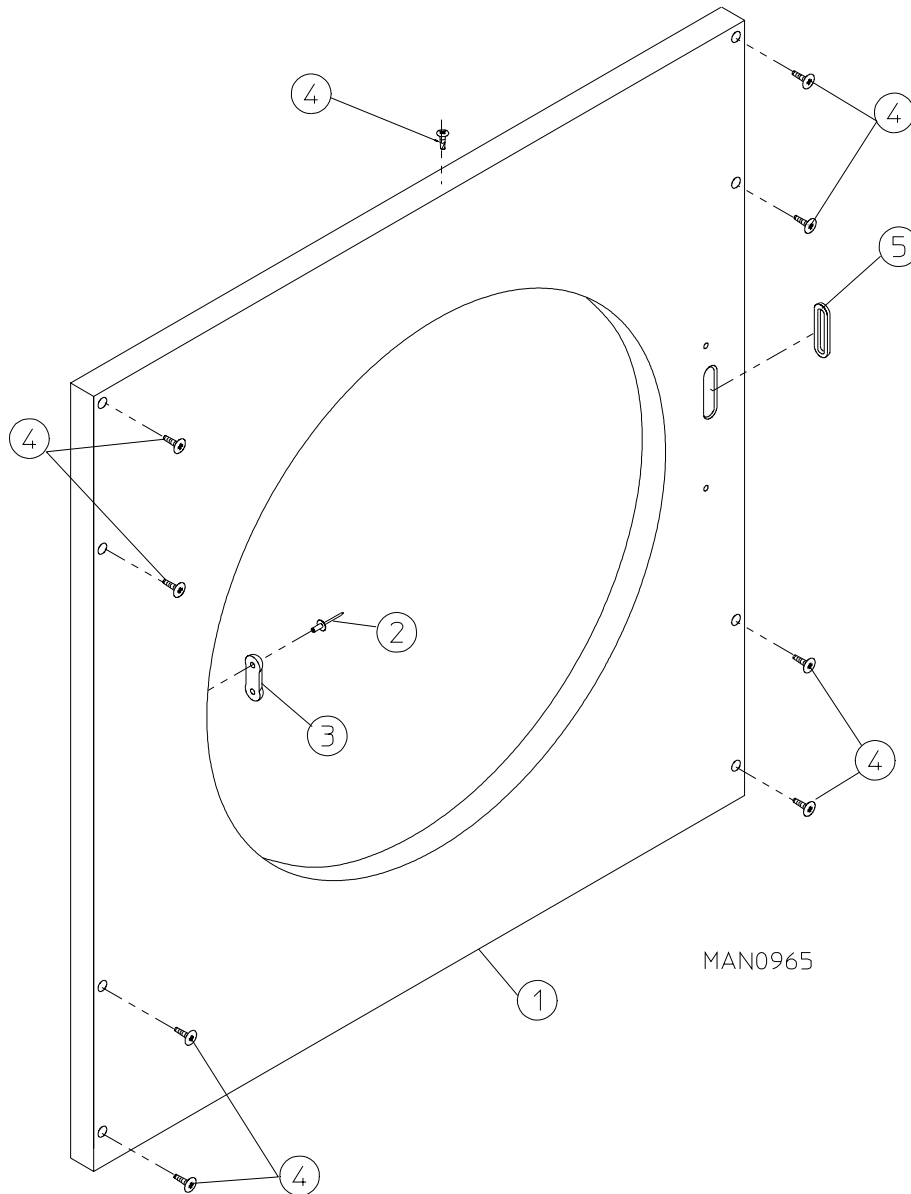
Cold Rolled Steel (CRS) Door Front Panel



Illus. No.	Part No.	Qty.	Description
1	881266*	1	Front Panel Assembly (cold rolled steel [CRS] door) (includes illus. nos. 1 through 3)
	881286	1	Stainless Steel Front Panel Assembly (cold rolled steel [CRS] door) (includes illus. nos. 1 through 3)
2	154215	2	1/8" Pop Rivet
3	881987	1	Friction Door Latch (includes illus. nos. 2 and 3)
4	150300	1	#10-16 x 1/2" Hex Washer TEK Screw
5	150309	8	#10-16 x 1/2" Hex Head TEK Crimpite Screw
6	881152	1	Black Top Hinge Block Assembly
	881208	1	Stainless Steel Top Hinge Block Assembly
7	150445	4	1/4-20 x 7/8" Black Cap Head Setscrew
	150443	4	1/4-20 x 7/8" Stainless Steel Cap Head Setscrew
8	881151	1	Black Bottom Hinge Block Assembly
	881209	1	Stainless Steel Bottom Hinge Block Assembly

* Specify color when ordering.

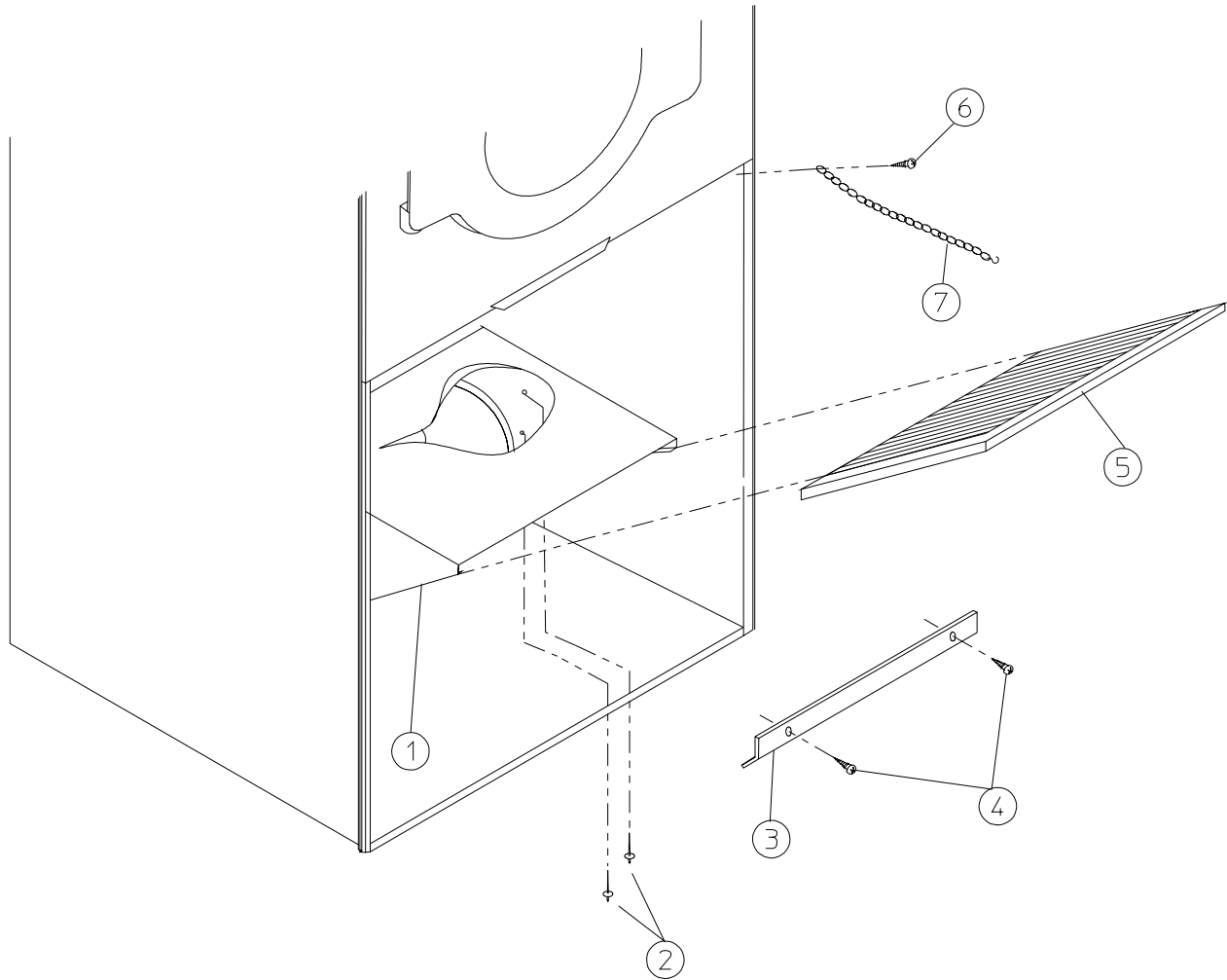
Front Panel Assembly (for Models with Plastic Main Door)



Illus. No.	Part No.	Qty.	Description
1	800676*	1	Front Panel Assembly Complete with Hinge (includes illus. nos. 1 through 3 and 5)
	800677	1	Stainless Steel Upper Front Panel Assembly Complete with Hinge (includes illus. nos. 1 through 3 and 5)
2	154215	2	5/32" Pop Rivet
3	881987	1	Friction Door Latch Kit (includes illus. nos. 2 and 3)
4	150309	9	#10-16 x 1/2" Hex Head TEK Crimptite Screw
	150313	9	TORX Head Screw (for models mfd. as of October 2, 2000)
5	121405	1	Rubber Grommet

* Specify color when ordering.

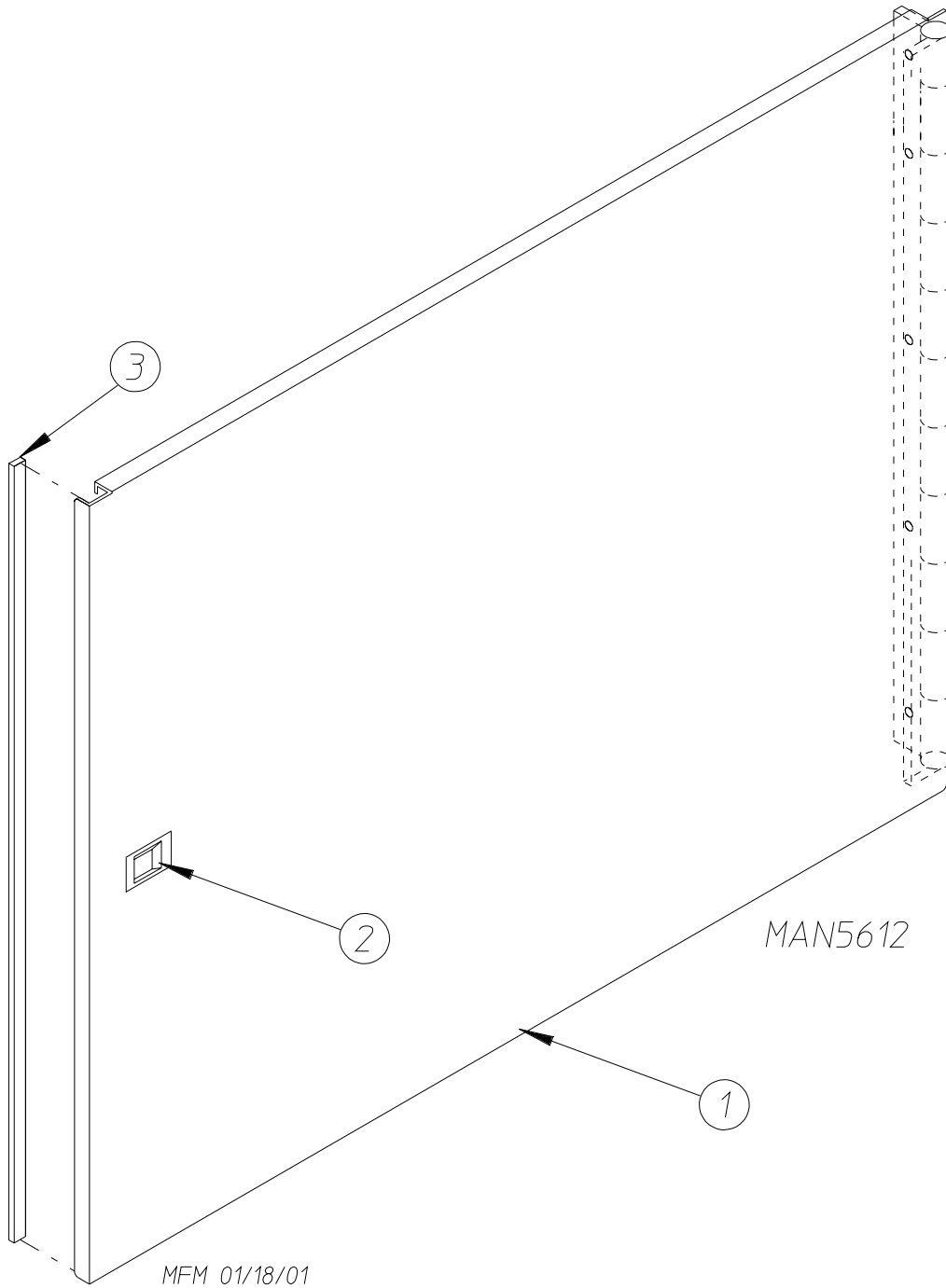
Lint Trap Assembly



MAN0107

Illus. No.	Part No.	Qty.	Description
1	800410	1	Lint Trap Assembly Complete (includes illus. nos. 1 and 3 through 5)
	800411	1	Lint Trap ONLY
2	154200	7	5/32" Pop Rivet
3	304102	1	Lint Screen Holder ONLY
4	150300	3	#10-16 x 1/2" Hex Washer TEK Screw
5	800503	1	Lint Screen ONLY
6	150419	2	#6 x 1/2" Tamperproof TEK Screw
7	108120	1	Chain for Drop Lint Door (10-1/2" length)
	150418	1	Tamperproof Screw Hand Driver

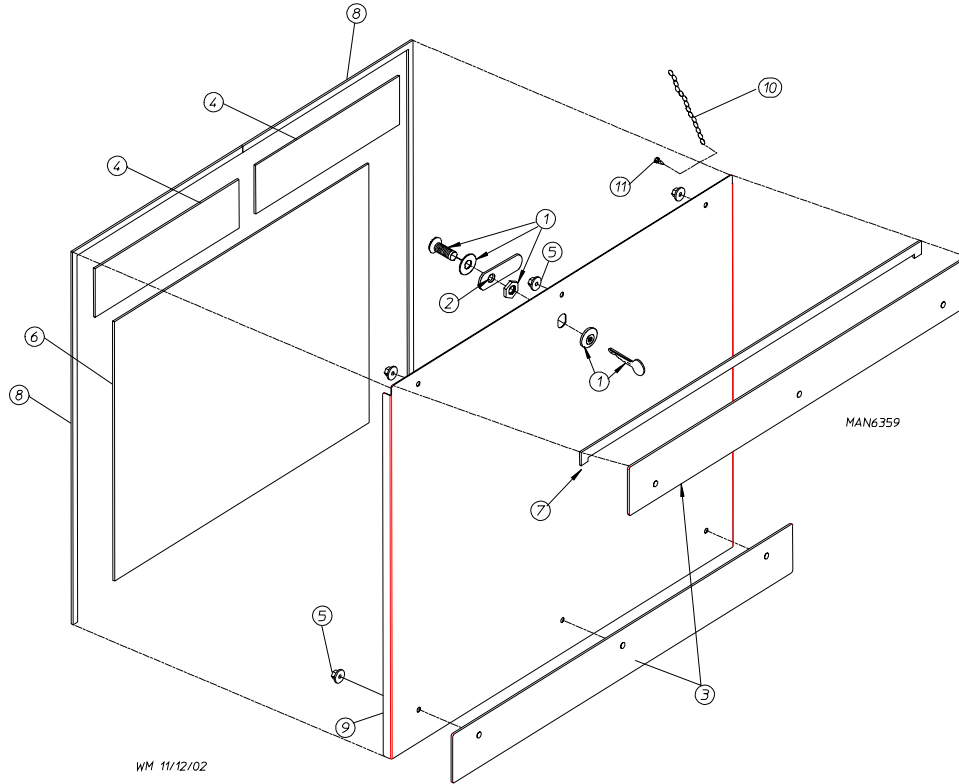
Hinged Lint Door Assembly



Illus. No.	Part No.	Qty.	Description
1	883593	1	White Right-Hand Hinge Lint Door Assembly with Slide Latch (includes illus. nos. 1 through 3)
	883595	1	Ivory Right-Hand Hinge Lint Door Assembly with Slide Latch (includes illus. nos. 1 through 3)
	883594	1	Coral Blue Right-Hand Hinge Lint Door Assembly with Slide Latch (includes illus. nos. 1 through 3)
2	170226	1	Black Slide Latch Flush Style
3	117604	2	Neoprene Sponge Tape (sold by the foot)

Drop Lint Door Assembly

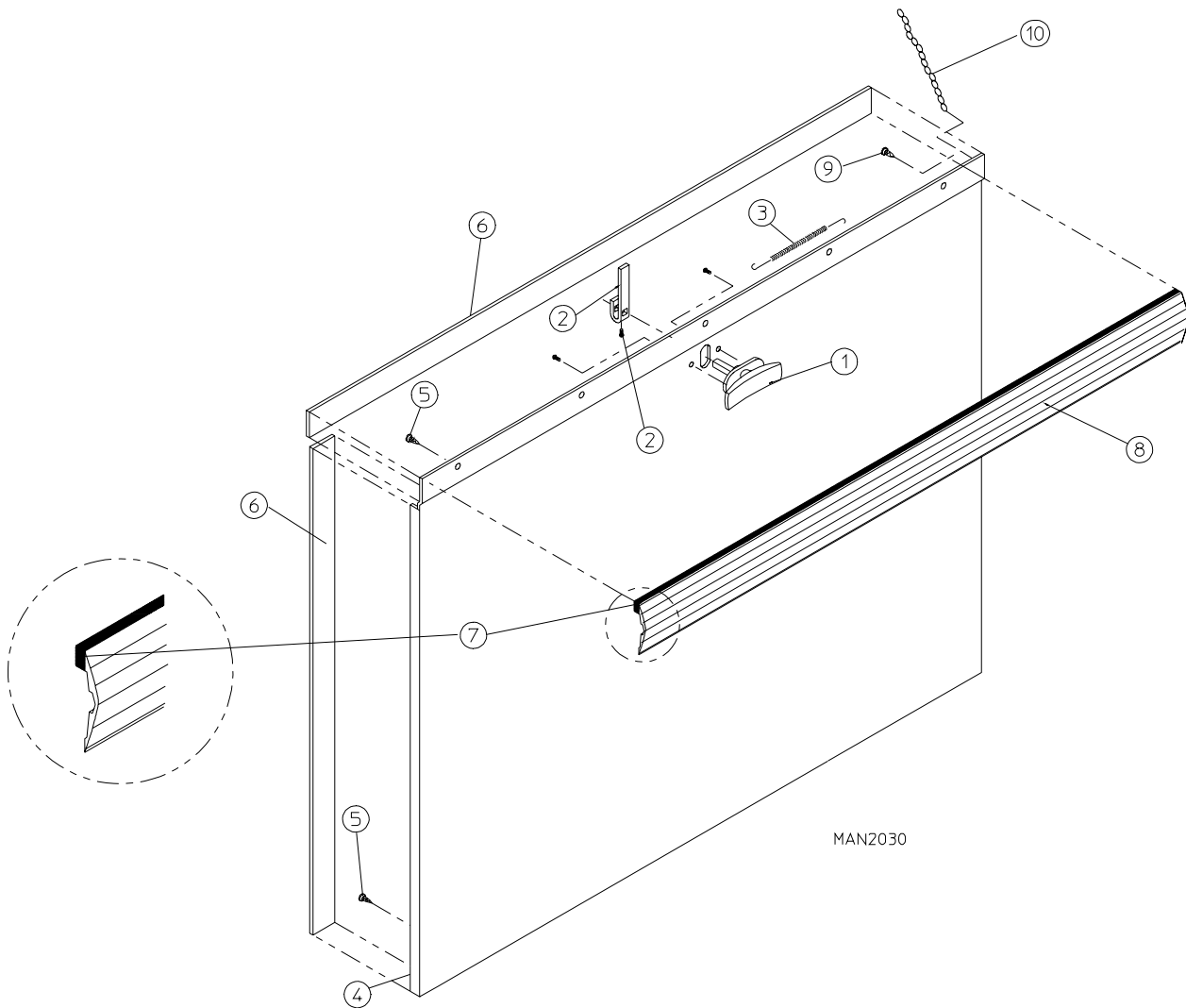
For Models Mfd. as of July 15, 2002



Illus. No.	Part No.	Qty.	Description
1	160001	1	AD-100 Lock Assembly with Key (for coin models Only)
	160103	1	AD-100 Key ONLY
	800150	1	Knob Latch Kit Assembly with Cam (for non-coin models Only)
	157000	1	Spring for Knob Latch Assembly
2	160008	1	Cam for AD-100 Lock
	160009	1	Knob Latch Adjustable Cam ONLY
	150425	1	#12-24 x 3/8" Round Head Machine Screw (screw for knob latch adjustable cam)
3	883623	2	Black Lint Door Trim
4	116256	2	Top Lint Door Insulation
5	152014	6	1/4-20 Free Spin Wash Nut
6	116176	1	Lint Door Insulation
7	117603	3	Suppression Tape/Gasket (sold by the foot)
8	117604	7	Neoprene Sponge Tape (sold by the foot)
9	883691	1	White Drop Lint Door Assembly (includes illus. nos. 3 through 9)
	883693	1	Ivory Drop Lint Door Assembly (includes illus. nos. 3 through 9)
	883692	1	Coral Blue Drop Lint Door Assembly (includes illus. nos. 3 through 9)
	883699	1	Stainless Steel Drop Lint Door Assembly (includes illus. nos. 3 through 9)
10	108120	1	Chain for Drop Lint Door
11	150419	2	#6 x 1/2" Tamperproof TEK Screw
	150418	1	Tamperproof Screw Hand Driver

Drop Lint Door Assembly

For Models Mfd. prior to July 15, 2002



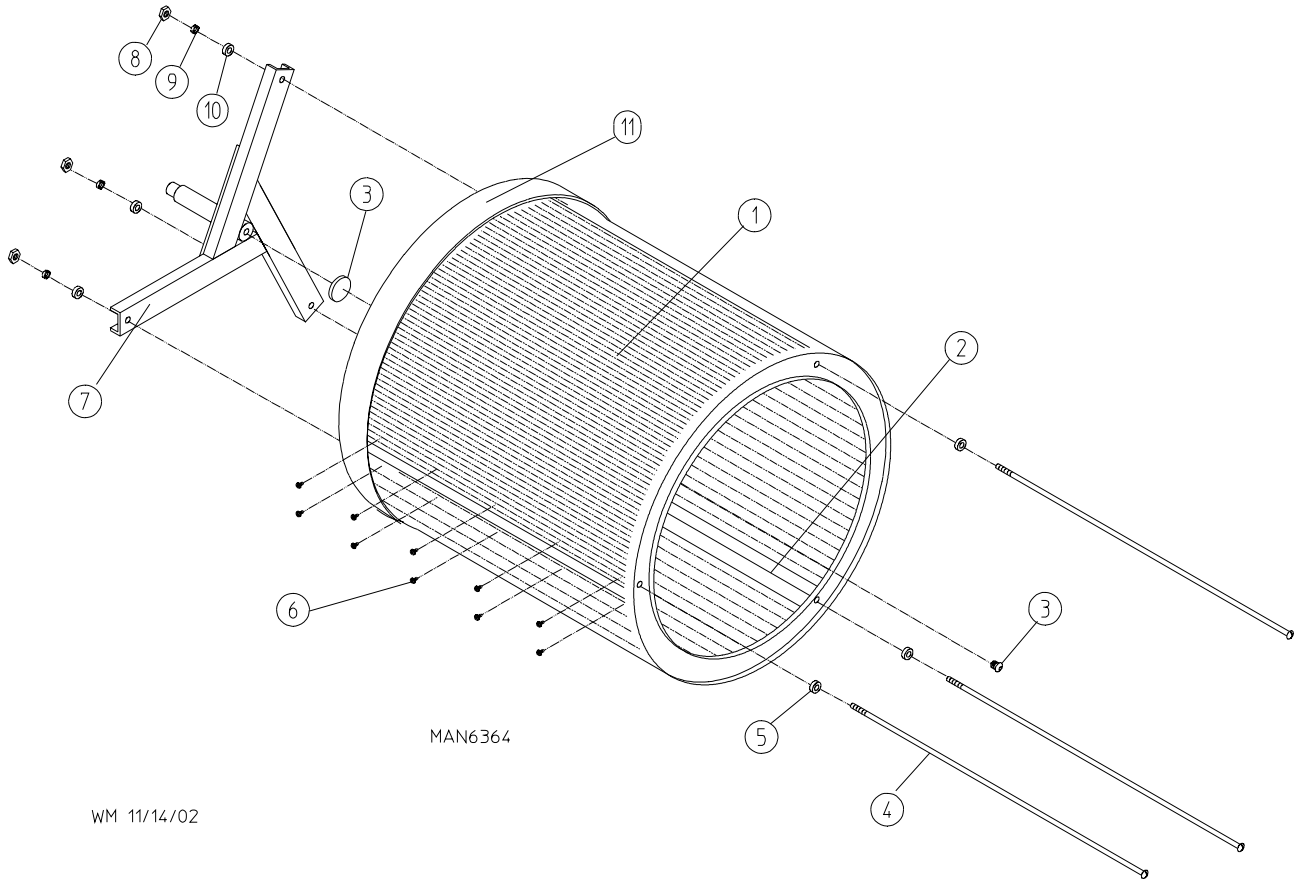
Drop Lint Door Assembly

For Models Mfd. prior to July 15, 2002

Illus. No.	Part No.	Qty.	Description
1	160001	1	AD-100 Lock Assembly with Key (for coin models Only)
	160103	1	AD-100 Key ONLY
	800150	1	Knob Latch Kit Assembly (includes illus. nos. 1 and 2)
	160200	1	Knob Latch ONLY with Two (2) Screws (without cam)
	160003	1	Dummy Lock ONLY (for non-coin models)
	160104	1	MK-100 Key ONLY (for dummy lock)
	2	160008	1
160009		1	Knob Latch Adjustable Cam ONLY
150425		1	#12-24 x 3/8" Round Head Machine Screw (screw for knob latch adjustable cam)
3	157000	1	Drop Lint Door Spring
4	800234*	1	Gray Trim Drop Lint Door Assembly Complete (includes illus. nos. 4 through 8)
	880245*	1	Black Trim Drop Lint Door Assembly Complete (includes illus. nos. 4 through 8)
	800244	1	Gray Trim Stainless Steel Drop Lint Door Assembly Complete (includes illus. nos. 4 through 8)
	883276	1	Black Trim Stainless Steel Drop Lint Door Assembly Complete (includes illus. nos. 4 through 8)
5	150201	5	#10-32 x 1/4" Phillips Pan Head TEK Screw
6	117600	7	Noise Suppression Tape (sold by the foot)
7	117603	3	Suppressor Tape/Gasket (sold by the foot) (for models mfd. as of February 8, 1995)
8	180213	1	Gray Trim/Kick Plate (28-3/8" length)
	150201	1	Lower Grey Trim/Kick Plate (28-3/8" length)...Not Illustrated
	180313	1	Black Trim/Kick Plate (28-3/8" length)
9	150419	2	#6 x 1/2" Tamperproof TEK Screw
10	108120	1	Chain for Drop Lint Door (10-1/2" length)
	150418	1	Tamperproof Screw Hand Driver

* Specify color when ordering.

Basket (Tumbler)/Support Assemblies



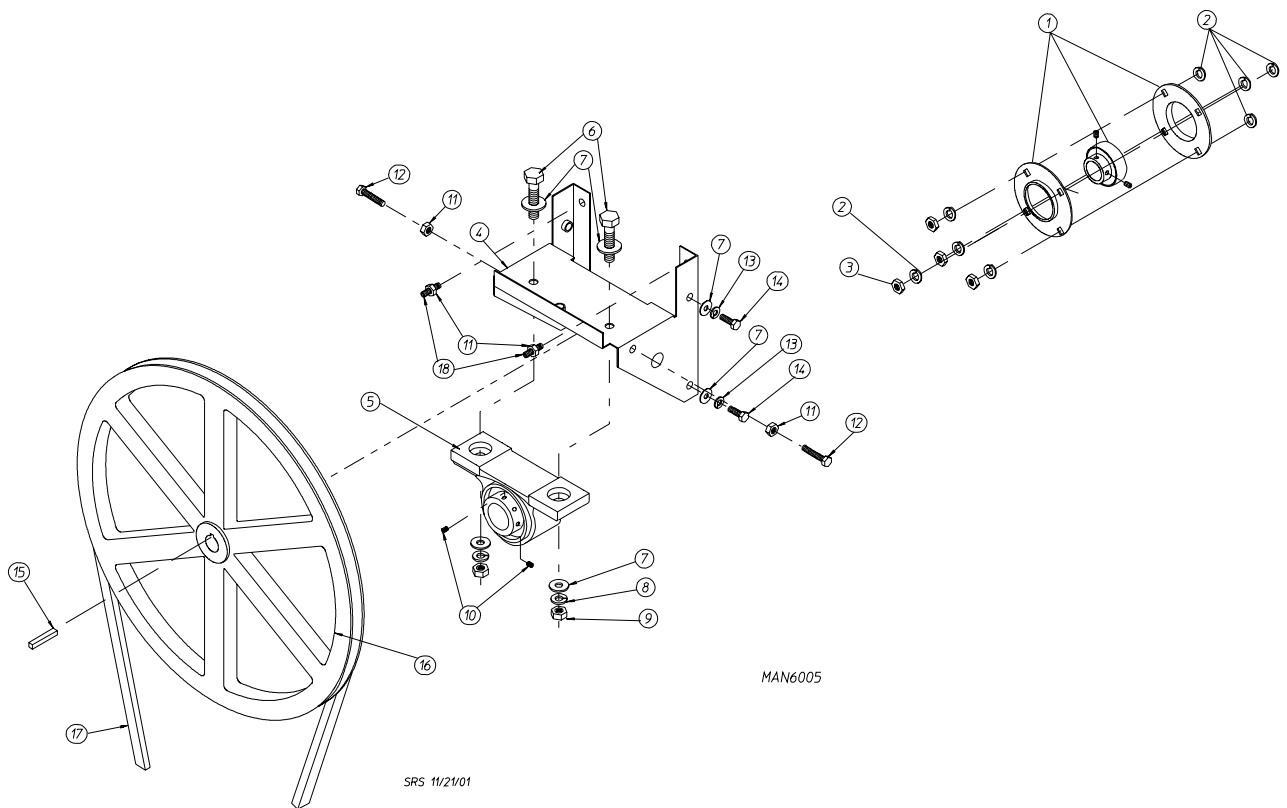
Basket (Tumbler)/Support Assemblies

Illus. No.	Part No.	Qty.	Description
1	800830	1	Basket (tumbler) and Support Assembly Complete with Felt Collar (includes illus. nos. 1 through 11)
	800890	1	Stainless Steel Basket (tumbler) and Support Assembly Complete with Felt Collar (includes illus. nos. 1 through 11)
	800720*	1	Basket (tumbler) ONLY without Felt Collar (includes illus. nos. 1, 2, and 6)
	800840*	1	Stainless Steel Basket (tumbler) ONLY without Felt Collar (includes illus. nos. 1, 2, and 6)
2	301315	2	Basket (tumbler) Rib ONLY (short)
	301316	1	Basket (tumbler) Rib ONLY (tall)
	301414	2	Stainless Steel (short) Basket (tumbler) Rib ONLY
	301415	1	Stainless Steel (tall) Basket (tumbler) Rib ONLY
3	115986	1	1/4" x 2" Felt Basket (tumbler) Pad (for models mfd. as of May 20, 2002)
	150518	1	5/16-18 x 3/8" Socket Button Head Screw (for models mfd. prior to May 20, 2002)
4	100902	3	5/16-18 x 31" Tie Rod (for models mfd. as of July 27, 1998)
	100915	3	3/8-16 x 31" Tie Rod (for models mfd. prior to July 27, 1998)
5	153001	3	5/16" Flat Washer
6	154210	30	Pop Rivet (for models mfd. as of October 14, 2000)
	150415	30	#10-16 x 1/2" Phillips Round Head Crimptite Screw (for models mfd. prior to October 14, 2000)
7	800612	1	Basket (tumbler) Support ONLY
8	152005	3	3/8-16 Hex Nut (for models mfd. as of July 27, 1998)
	152004	3	5/16-18 Hex Nut (for models mfd. prior to July 27, 1998)
9	153005	3	3/8" Lock Washer (for models mfd. as of July 27, 1998)
	153002	3	5/16" Lock Washer (for models mfd. prior to July 27, 1998)
10	153001	3	5/16" Flat Washer
	153004	3	3/8" Flat Washer (for models mfd. as of July 27, 1998)
11	116003	1	Felt Collar ONLY
---	401010	1	#847 Adhesive for Felt Collar (5 oz. tube)

* Felt collar *is not included* and **must be** ordered separately.

Basket (Tumbler) Bearing Assembly

For Models Mfd. as of April 27, 2001



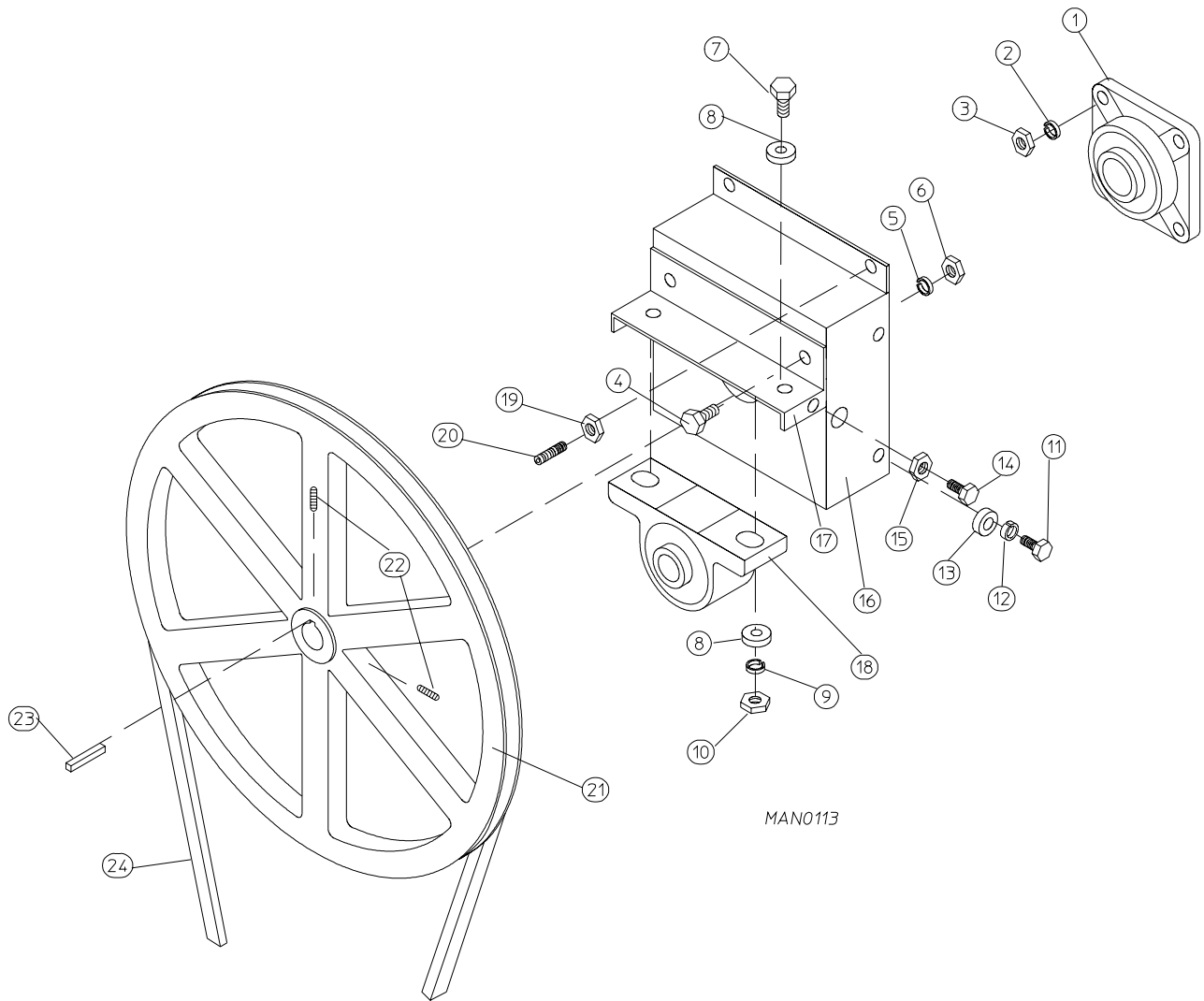
Basket (Tumbler) Bearing Assembly

For Models Mfd. as of April 27, 2001

Illus. No.	Part No.	Qty.	Description
1	880209	1	1-3/8" 4 Bolt Pressed Steel Round Bearing
2	153005	12	3/8" Lock Washer
3	152005	4	3/8-16 Hex Nut
4	882544	1	Pillow Block Bearing Assembly Complete (includes illus. nos. 4 through 14 and 18)
	882542	1	Bearing Support ONLY
5	880202	1	1-3/8" Pillow Block Bearing ONLY
6	150601	2	3/8-16 x 2" Hex Bolt
7	153004	8	3/8" Flat Washer
8	153005	2	3/8" Lock Washer
9	152005	2	3/9-16 Hex Nut
10	154326	2	5/16-24 x 3/8" Setscrew Black
11	152004	4	5/16-18 Hex Nut
12	150621	2	5/16-18 x 1-1/2" Tap Bolt
13	153002	4	5/16" Lock Washer
14	150501	4	5/16-18 x 3/4" Tap Bolt
15	100713	1	1/4" x 1/4" x 7/8" Key
16	101100	1	18" Pulley
17	100100	1	5L-660 V-Belt (to idler assembly)
18	150610	2	5/16-18 x 1-1/2" Allen Setscrew

Basket (Tumbler) Bearing Assembly

For Models Mfd. prior to April 27, 2001



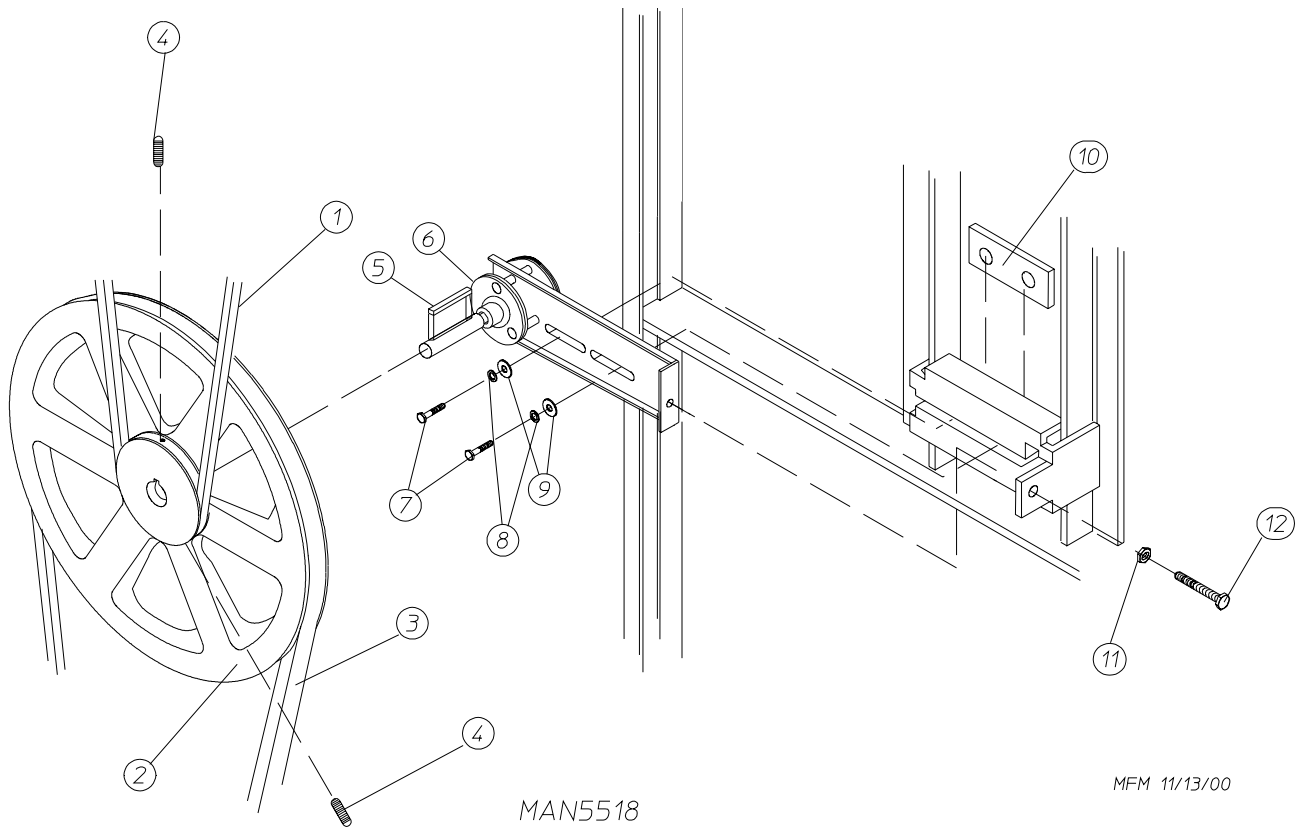
Basket (Tumbler) Bearing Assembly

For Models Mfd. prior to April 27, 2001

Illus. No.	Part No.	Qty.	Description
1	880203	1	1-3/8" Flange Bearing with Nylock Setscrew
2	153005	4	3/8" Lock Washer
3	152005	4	3/8-16 Hex Nut
4	150508	2	3/8-16 x 3/4" Hex Head Machine Bolt
5	153005	2	3/8" Lock Washer
6	152005	2	3/8-16 Hex Nut
7	150600	2	3/8-16 x 1-1/2" Hex Head Machine Bolt
8*	153004	2	3/8" Flat Washer
9	153005	2	3/8" Lock Washer
10	152005	2	3/8-16 Hex Nut
11	150501	4	5/16-18 x 3/4" Hex Head Machine Bolt
12	153002	4	5/16" Lock Washer
13	153001	4	5/16" Flat Washer
14	150621	2	5/16-18 x 1-1/2" Hex Head Machine Bolt
15	152004	2	5/16-18 Hex Nut
16	801101	1	1-3/8" Bearing Box Assembly Complete (includes illus. nos. 4 through 20) For Models Mfd. without Rotational Sensor
	801103	1	1-3/8" Bearing Box and Support Assembly ONLY (includes illus. nos. 4 through 6, 16, and 17)
	801105	1	1-3/8" Bearing Box ONLY
17	801104	1	1-3/8" Pillow Block Bearing Support ONLY
18	880202	1	1-3/8" Pillow Block Bearing ONLY
19	152004	2	5/16-18 Hex Nut
20	150610	2	5/16-18 x 1-1/2" Allen Setscrew
21	101100	1	18" Pulley
22	154301	2	5/16-18 x 5/16" Allen Setscrew
23	100713	1	1/4" x 1/4" x 7/8" Key
24	100111	1	5L-650 V-Belt (to idler assembly)

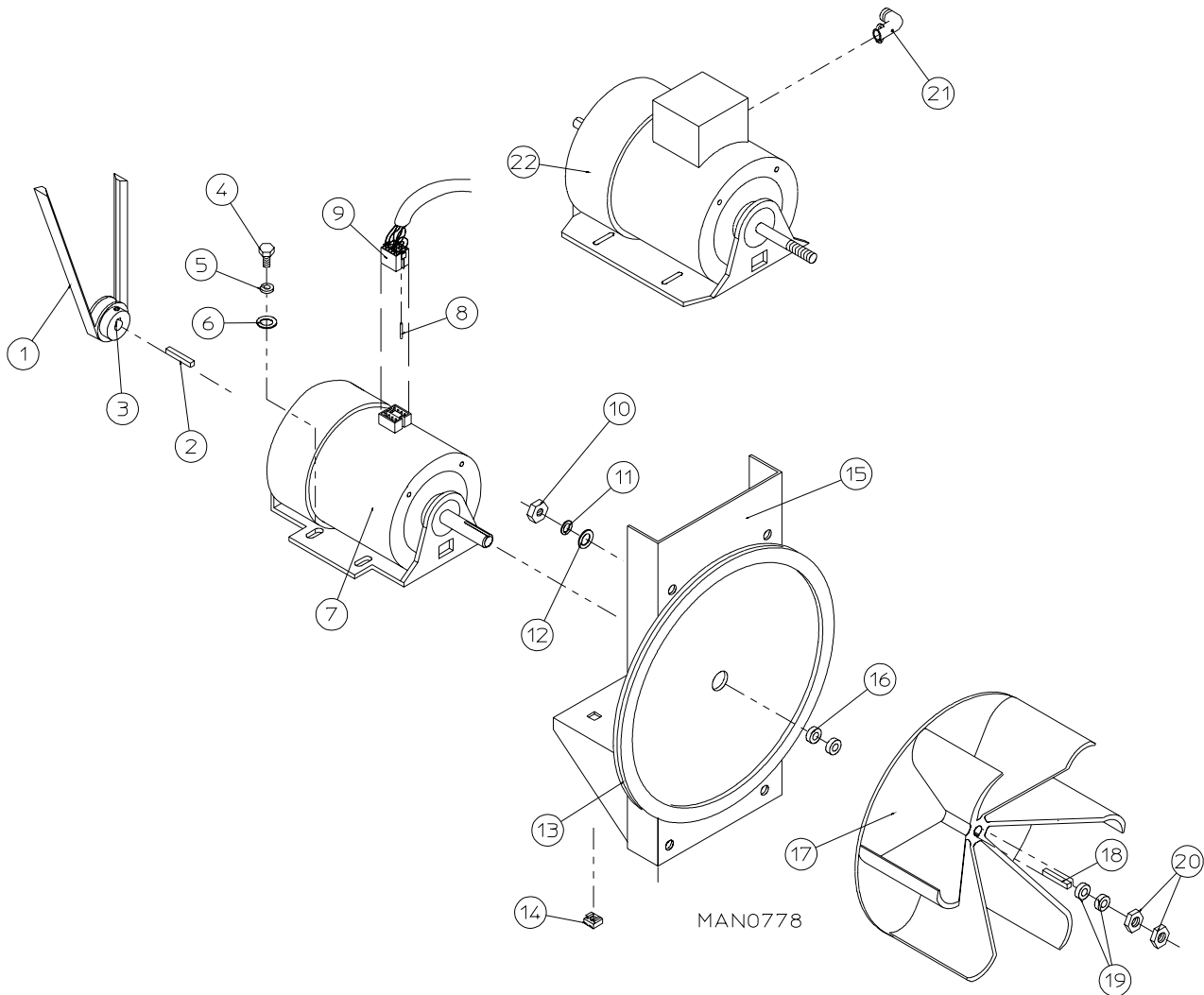
* Some models require a quantity of four (4).

Idler Bearing Assembly



Idler Bearing Assembly

Illus. No.	Part No.	Qty.	Description
1	100111	1	5L-650 V-Belt (idler to basket [tumbler])
2	101140	1	14" x 3" Compound Pulley
	101129	1	9-1/2" x 3" Compound Pulley
3	100105	1	4L-520 V-Belt (idler to motor)
4	154301	2	5/16-18 x 1" Allen Setscrew
5	100705	1	3/16" x 3/16" x 1-3/8" Key
6	882576	1	Idler Bearing Assembly Complete (includes illus. nos. 5 through 12)
7	150617	2	3/8-16 x 1" Hex Head Machine Bolt
8	153005	2	3/8" Lock Washer
9	153004	2	3/8" Flat Washer
10	801009	1	Idler Square Washer
11	152004	1	5/16-18 Hex Nut
12	150509	1	5/16-18 x 3" Hex Head Machine Bolt

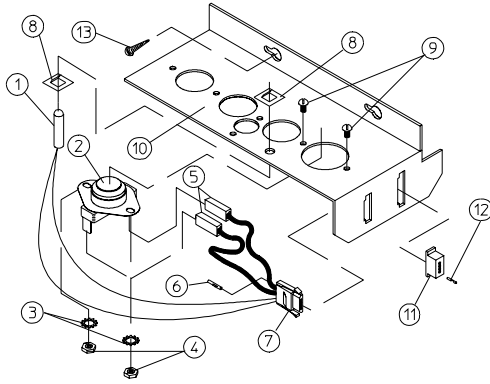


Illus. No.	Part No.	Qty.	Description
1	100105	1	4L-520 V-Belt (to idler assembly)
2	100701	1	3/16" x 3/16" x 1" Key (for use on 3 ϕ models Only)
3	101131	1	1/2" x 2-1/4" Motor Pulley (for use on 1 ϕ - 60 Hz motors Only)
	101133	1	5/8" x 2-1/4" Motor Pulley (for use on 3 ϕ - 60 Hz motors Only)
	101125	1	2-1/2" x 1/2" Motor Pulley (for 1 ϕ models mfd. as of August 22, 2002)
	101130	1	5/8" x 2-1/2" Motor Pulley (for 1 ϕ models mfd. prior to August 22, 2002) (for use on 1 ϕ /3 ϕ 50 Hz motors Only)
4	150501	4	5/16-18 x 3/4" Hex Head Machine Bolt
5	153002	4	5/16" Lock Washer
6	153001	4	5/16" Flat Washer
7	181049*	1	1/2 HP 100-230v 50/60 Hz Motor with Plug (for models mfd. as of February 4, 2002)
	100065*	1	1/2 HP 100-230v 1 ϕ 60 Hz Totally Enclosed, Fan-Cooled (T.E.F.C.) Plug Type Motor (for models mfd. prior to February 4, 2002)
	100066	1	1/2 HP 240v 1 ϕ 50 Hz Totally Enclosed, Fan-Cooled (T.E.F.C.) Plug Type Motor (for models mfd. between August 28,1992 and August 22, 2002)

Motor Mount Assembly (continued)

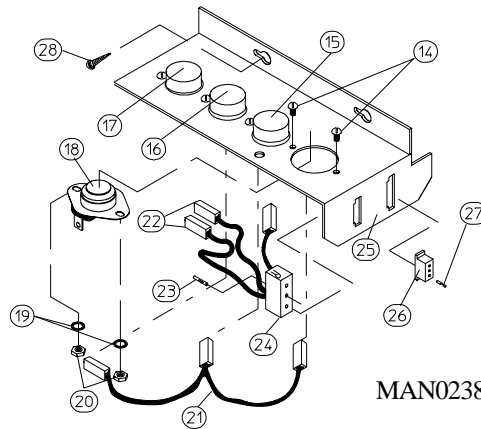
Illus. No.	Part No.	Qty.	Description
8	122701	8	Socket Terminal ONLY
	122801	1	Pin/Socket Extraction Tool...Not Illustrated
9	137030	1	8-Pin Housing Connector
10	152004	4	5/16-18 Hex Nut
11	153002	4	5/16" Lock Washer
12	153001	4	5/16" Flat Washer
13	117600	4	Noise Suppression Tape (sold by the foot)
14	154000	4	5/16-18 Tinnerman Nut
15	800909	1	1/2 HP Motor Mount ONLY (56Z frame)
	803966*	1	1/2 HP 115-230v 1 ϕ 50/60 Hz Totally Enclosed, Fan-Cooled (T.E.F.C.) Motor Mount Assembly Complete with Plug Motor (includes illus. nos. 3 through 7 and 13 through 20)
	803965*	1	1/2 HP 208/230/380/460v 3 ϕ 60 Hz Totally Enclosed, Fan-Cooled (T.E.F.C.) Motor Mount Assembly Complete (includes illus. nos. 2 through 7 and 13 through 20)
	803929	1	1/2 HP 240v 1 ϕ 50 Hz Totally Enclosed, Fan-Cooled (T.E.F.C.) Motor Mount Assembly Complete with Plug Motor (includes illus. nos. 3 through 7 and 13 through 20) For Models Mfd. as of August 28, 1992
	803792*	1	1/2 HP 208/230/380/460v 3 ϕ 50 Hz Totally Enclosed, Fan-Cooled (T.E.F.C.) Motor Mount Assembly Complete (includes illus. nos. 2 through 6 and 13 through 22)
	803924	1	1/2 HP 240v 1 ϕ 50 Hz Totally Enclosed, Fan-Cooled (T.E.F.C.) Motor Mount Assembly Complete (includes illus. nos. 3 through 6 and 13 through 22) For Models Mfd. prior to August 28, 1992
16	153050	2	1/2" S.A.E. Flat Washer
17	100604	1	12-1/2" Impellor (fan/blower) with 1/2" Bore
18	100702	1	1/8" x 1/8" x 1-1/2" Key
19	153050	2	1/2" S.A.E. Flat Washer
20	152006	2	1/2-20 Left-Hand Jam Nut
21	120200	1	3/8" x 90° Connector
22	100007*	1	1/2 HP 208/230/380/460v 3 ϕ 50/60 Hz Totally Enclosed, Fan-Cooled (T.E.F.C.) Motor (56Z frame)
	100035	1	1/2 HP 240v 1 ϕ 50 Hz Totally Enclosed, Fan-Cooled (T.E.F.C.) Motor (56Z frame) For Models Mfd. prior to August 28, 1992

* Specify voltage when ordering.



Noncomputer Sensor Bracket Assembly

Microprocessor Sensor Bracket Assembly



MAN0238

Illus. No.	Part No.	Qty.	Description
1	880251	1	1/4" Temperature Sensor Probe Assembly (includes illus. nos. 1 and 5 through 8)
2	130103	1	225° Large Automatic Thermostat
3	153010	2	#6 Star Washer
4	152000	2	#6-32 Hex Nut
5	121028	2	Insulated Terminal ONLY
6	122701	4	Socket Terminal ONLY
7	122605	1	4-Pin Socket ONLY
8	154007	2	1/4" Tinnerman Push On Fastener
9	150005	2	#6-32 x 1/4" Round Head Machine Screw
10	801425	1	Microprocessor Sensor Bracket Assembly Complete (includes illus. nos. 1 through 10)
	305007	1	Universal Sensor Bracket ONLY
11	122604	1	4-Pin Connector ONLY
12	122700	4	Pin Terminal ONLY
13	150301	2	#8-18 x 7/16" Phillips Pan Head TEK Screw
14	150000	*	#6-32 x 1/4" Slotted Round Head Machine Screw
15	130111	1	130° Large Thermostat (for models mfd. as of August 1, 1993)
	130100	1	150° Large Thermostat (for models mfd. prior to August 1, 1993)
16	130100	1	150° Large Thermostat (for models mfd. as of August 1, 1993)
	130103	1	225° Large Automatic Thermostat (for models mfd. prior to August 1, 1993)
17	130103	1	225° Large Automatic Reset Thermostat (for models mfd. as of August 1, 1993)

Sensor Bracket Assemblies (continued)

Illus. No.	Part No.	Qty.	Description
18	130106	1	170° Large Thermostat (for models mfd. as of April 1, 1994)
	130101	1	180° Large Thermostat (for models mfd. prior to April 1, 1994)
19	153010	*	#6 Star Washer
20	152000	*	#6-32 Hex Nut
21	840065	1	Sensor Jumper (4) (for models mfd. as of August 1, 1993)
	840063	1	Sensor Jumper (3) ONLY (for models mfd. prior to August 1, 1993)
22	121028	**	Insulated Terminal ONLY
23	122701	***	Socket Terminal ONLY
24	122605	1	4-Pin Socket Connector ONLY (for models mfd. as of August 1, 1993)
	122609	1	3-Pin Socket Connector ONLY (for models mfd. prior to August 1, 1993)
	840062	1	Sensor (4) Bracket Harness Assembly For Models Mfd. as of August 1, 1993 (includes illus. nos. 22 through 24)
	831702	1	Sensor (3) Bracket Harness Assembly For Models Mfd. prior to August 1, 1993 (includes illus. nos. 22 through 24)
25	801418	1	Noncomputer Sensor (4) Bracket Assembly Complete - Includes Thermstats For Models Mfd. as of August 1, 1993 (includes illus. nos. 14 through 25)
	801405	1	Noncomputer Sensor (3) Bracket Assembly Complete - Includes Thermostats For Models Mfd. prior to August 1, 1993 (includes illus. nos. 14 through 16 and 18 through 25)
	305007	1	Universal Sensor Bracket ONLY
26	122604	1	4-Pin Connector ONLY (for models mfd. as of August 1, 1993)
	122608	1	3-Pin Connector ONLY (for models mfd. prior to August 1, 1993)
27	122700	***	Pin Terminal ONLY
	122801	1	Pin/Socket Extraction Tool...Not Illustrated
28	150301	2	#8-18 x 7/16" Phillips Pan Head TEK Screw

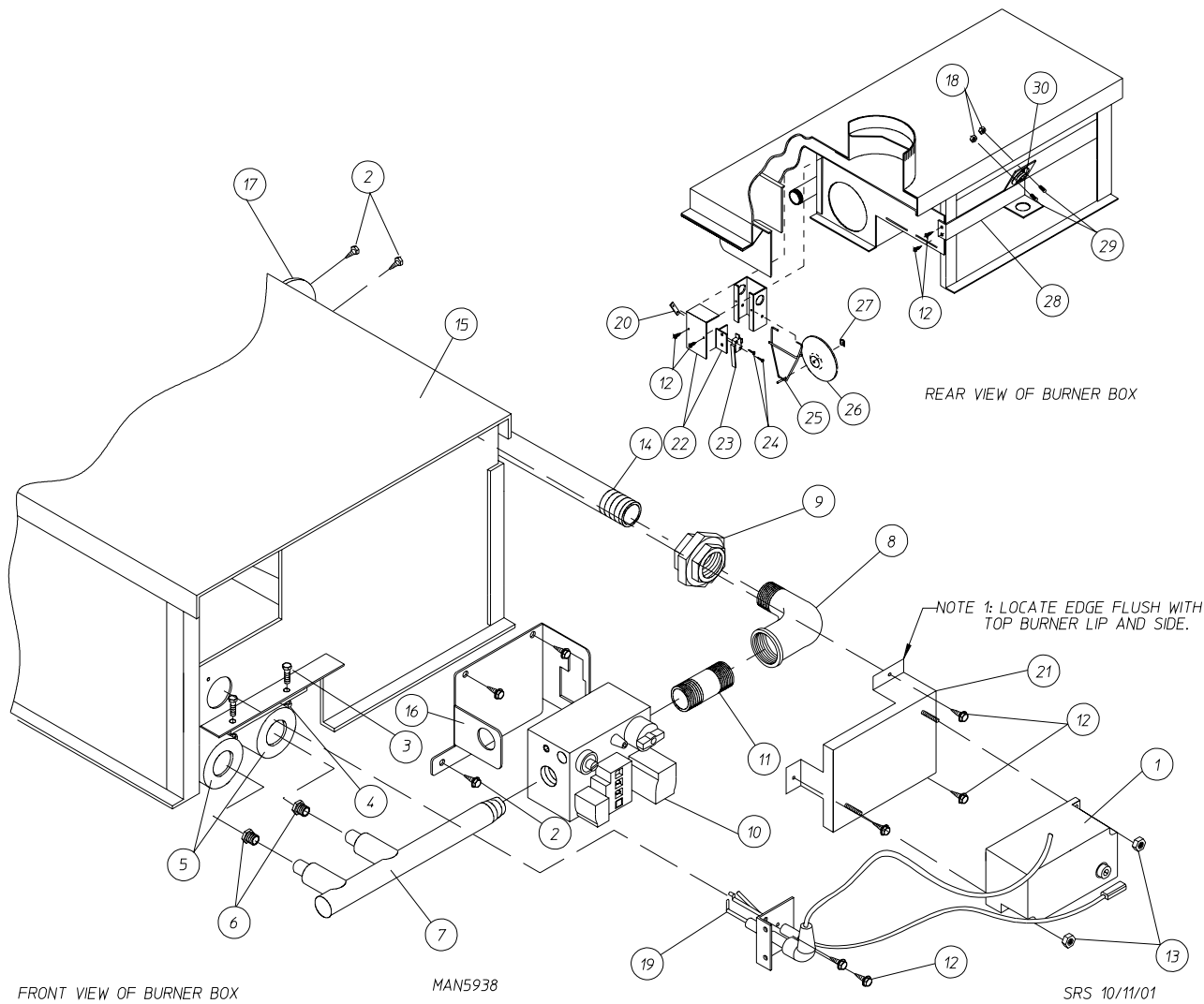
* Quantity is 4 or 5.

** Quantity is 6 or 8.

*** Quantity is 3 or 4.

Direct Spark Ignition (DSI) Burner Assembly

For Models Mfd. as of April 10, 2000



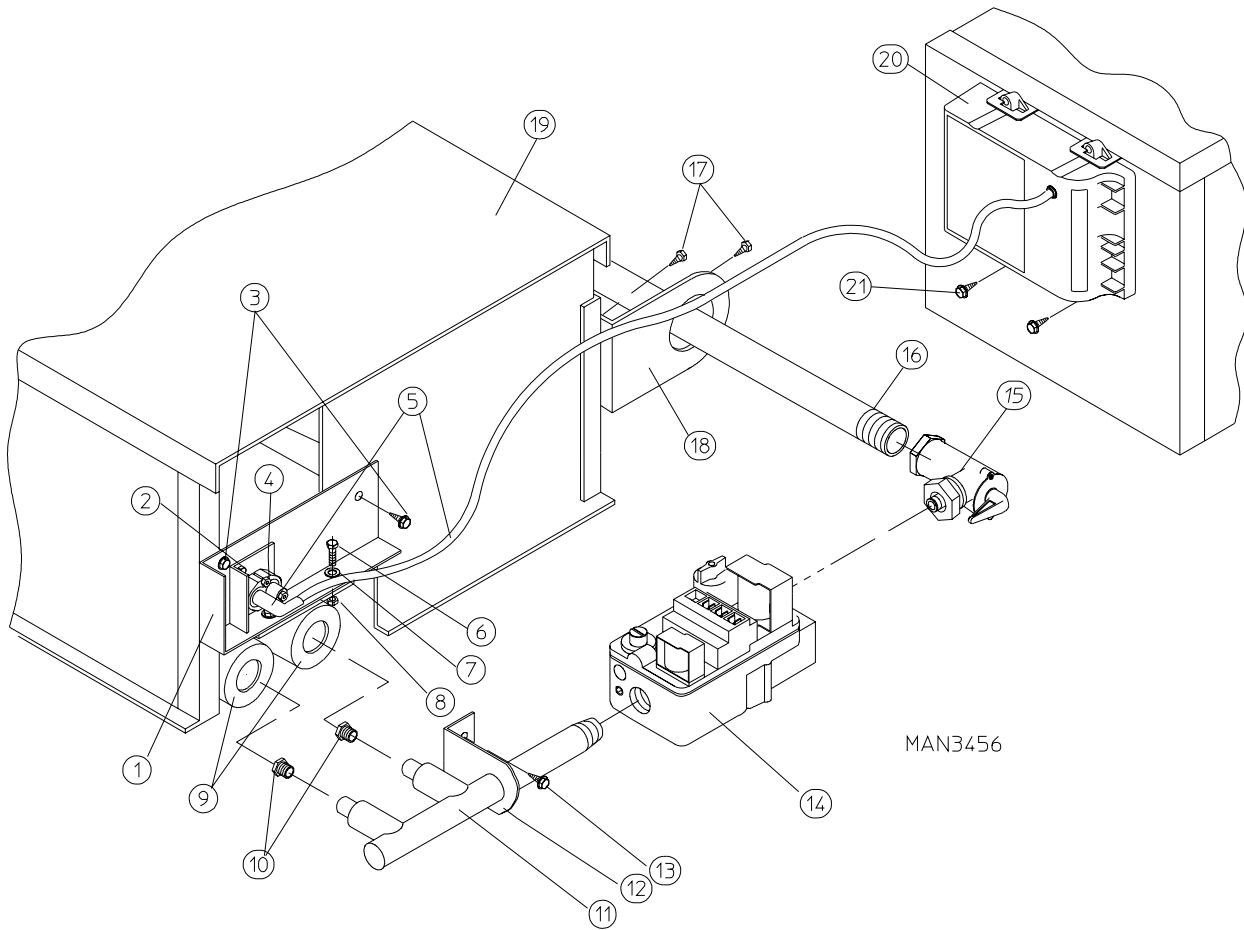
Direct Spark Ignition (DSI) Burner Assembly

For Models Mfd. as of April 10, 2000

Illus. No.	Part No.	Qty.	Description
1	128935	1	Direct Spark Ignition (DSI) Module with Three (3) Tries
2	150309	5	#10-16 x 1/2" Hex Head TEK Crimptite Screw
3	150108	2	#8-32 x 1/2" Pan Head Machine Screw
4	151001	2	#8-32 Pal Nut
5	141104	2	Small Tube Burner
6	140855	2	#33 Burner Orifice (natural gas)
	140801	2	#51 Burner Orifice (L.P. gas)
7	141230	1	Direct Spark Ignition (DSI) 1/2" Burner Manifold
8	142506	1	1/2" x 1/2" Street Elbow
9	142600	1	1/2" Black Union
10	128927	1	1/2" 24 VAC (natural gas) Gas Valve
11	142707	1	1/2" x 1-1/2" Long Black Nipple
12	150300	9	#10-16 x 1/2" Hex Washer TEK Screw
13	152013	2	#6-32 Hex Nut
14	142809	1	1/2" x 29-1/8" Black Nipple
15	850862	1	Direct Spark Ignition (DSI)/HR Burner Box and Bonnet
	883174	1	Direct Spark Ignition (DSI)/HR (natural gas) Burner Box Assembly Complete Less Orifices
16	318714	1	Bracket for Horizontal Facing Gas Valve
17	318700	1	Pipe Bracket
18	151000	2	#6-32 Pal Nut
19	882451	1	Direct Spark Ignition (DSI) Ignitor/Flame-Probe with High Voltage (HV) Wire
20	154004	1	Twin Speed Nut
21	810030	1	Johnson Controls Direct Spark Ignition (DSI) Module Mounting Bracket
22	802799	1	Sail Switch Box Top and Switch Bracket
23	122200	1	Sail Switch
24	150303	2	#4 x 3/4" Pan Head "A" Machine Screw
25	105500	1	Sail Switch Actuator Rod
26	319202	1	Sail Switch Damper (flat)
27	154002	1	1/8" Push On Fastener
28	319704	1	Hi-Limit Mounting Bracket
29	150001	2	#6-32 x 1/2" Phillips Round Head Machine Screw
30	130403	1	330° Hi-Limit
	142935	1	1/2" BSPT x 1/2" NPT Coupling C.E. models Only...Not Illustrated

Direct Spark Ignition (DSI) Burner Assembly

For Models Mfd. prior to April 10, 2000



Direct Spark Ignition (DSI) Burner Assembly

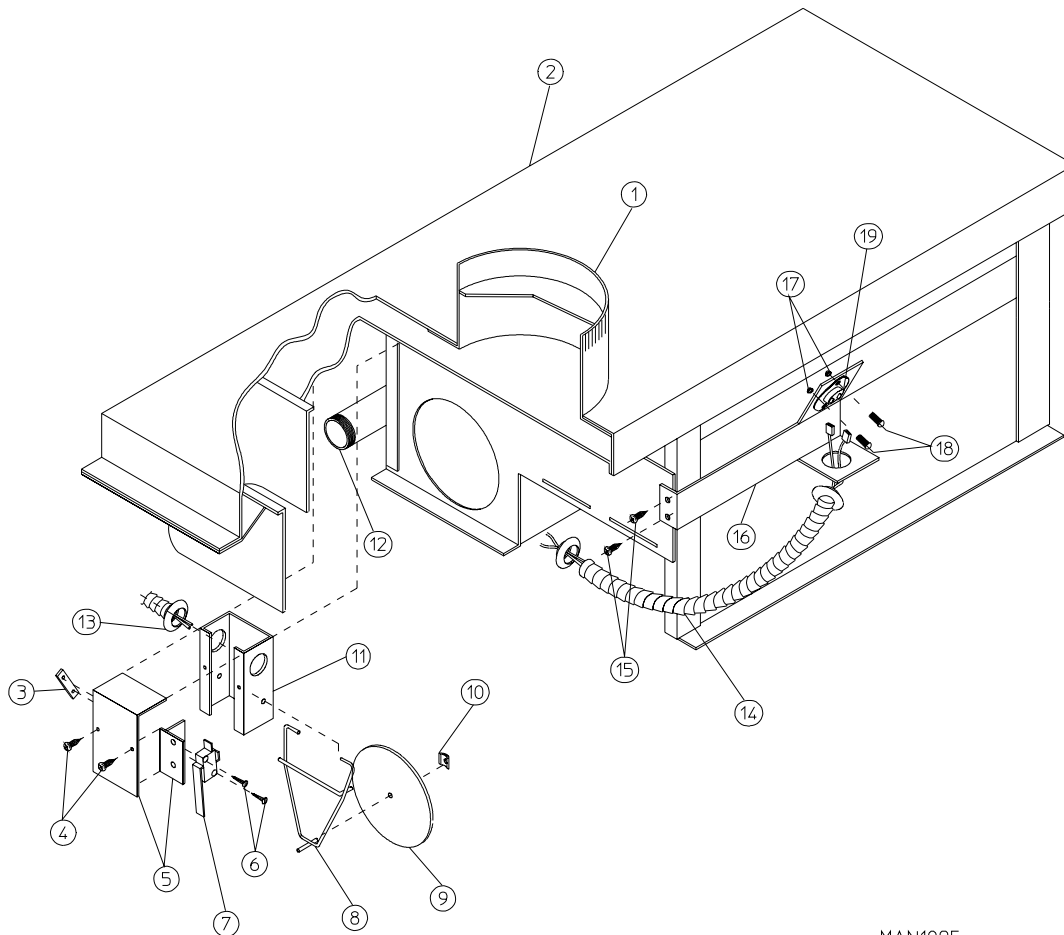
For Models Mfd. prior to April 10, 2000

Illus. No.	Part No.	Qty.	Description
1	318030	1	Direct Spark Ignition (DSI) Burner Shield (2-tube)
2	150300	2	#10-16 x 1/2" Hex Washer TEK Screw
3	150415	2	#10-16 x 1/2" Phillips Round Head Crimptite Screw
4	128915	1	Direct Spark Ignition (DSI) Ignitor/Flame-Probe Assembly
	880134	1	Ignitor/Flame-Probe Kit Assembly (includes high voltage [HV] wire and connector)
5	880330	1	High Voltage (HV) Wire and Connector Assembly
6	150103	2	#8-32 x 1/2" Pan Head Machine Screw
7	153000	2	#8 Steel Burr
8	151001	2	#8-32 Pal Nut
9	141105	2	Large Tube Burner ONLY
10*	140855	2	#33 Burner Orifice (natural gas) ONLY
	140801	2	#51 Burner Orifice (liquid propane [L.P.] gas) ONLY
11	141230	1	1/2" Direct Spark Ignition (DSI) Manifold (2-port)
12	318700	1	Pipe Bracket (bent)
13	150300	2	#10-16 x 1/2" Hex Washer TEK Screw
14	128927	1	1/2" 24 VAC Redundant Gas Valve (natural gas)
	880960	1	1/2" Direct Spark Ignition (DSI) Gas Valve/Liquid Propane (L.P.) Kit Combination
15	881367	1	1/2" Union Shut Off with Tail Piece (for models mfd. prior to April 10, 2000)
16	142809	1	1/2" x 29-1/8" Pipe
17	150415	4	#10-16 x 1/2" Phillips Round Head Crimptite Screw
18	318700	1	Pipe Bracket (bent)
19**	850862	1	Direct Spark Ignition (DSI) Burner Box and Bonnet ONLY
	809637	1	Direct Spark Ignition (DSI) Natural Gas Burner Assembly Complete Less Orifices (includes illus. nos. 1 through 9 and 11 through 20)
	809636	1	Direct Spark Ignition (DSI) Liquid Propane (L.P.) Burner Assembly Complete Less Orifices (includes illus. nos. 1 through 9 and 11 through 20)
20	882627	1	ADC/WR to Johnson Control Module
21	150299	4	#10 x 1" Hex Washer TEK Screw
---	874054*	1	Direct Spark Ignition (DSI)/HR (liquid propane [L.P.]) Conversion Kit (includes orifices)...Not Illustrated

* Consult factory for elevations over 2,000 feet.

** Burner orifices *are not included* and **must be** ordered separately.

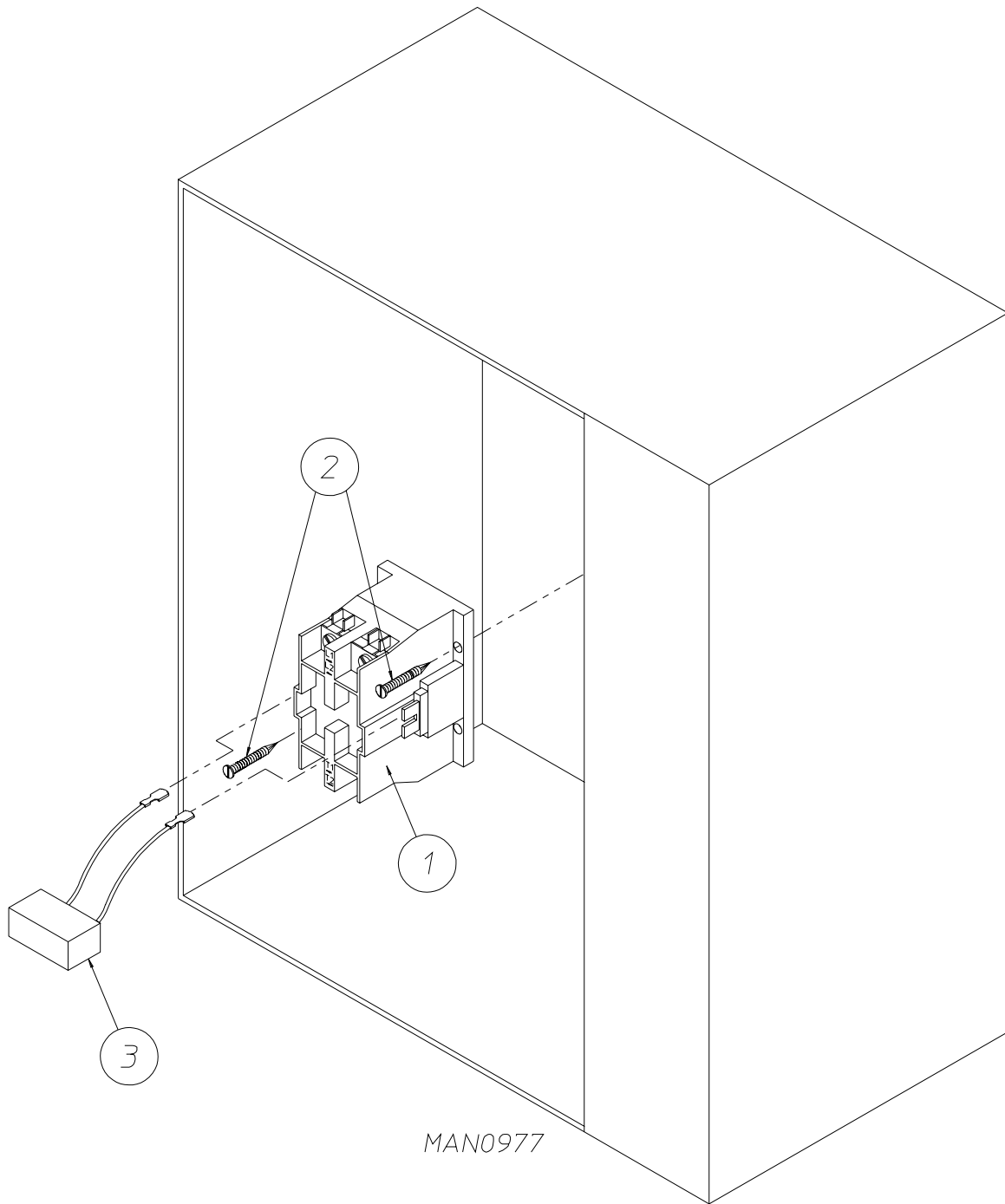
Sail Switch/Hi-Limit Assemblies



MAN1095

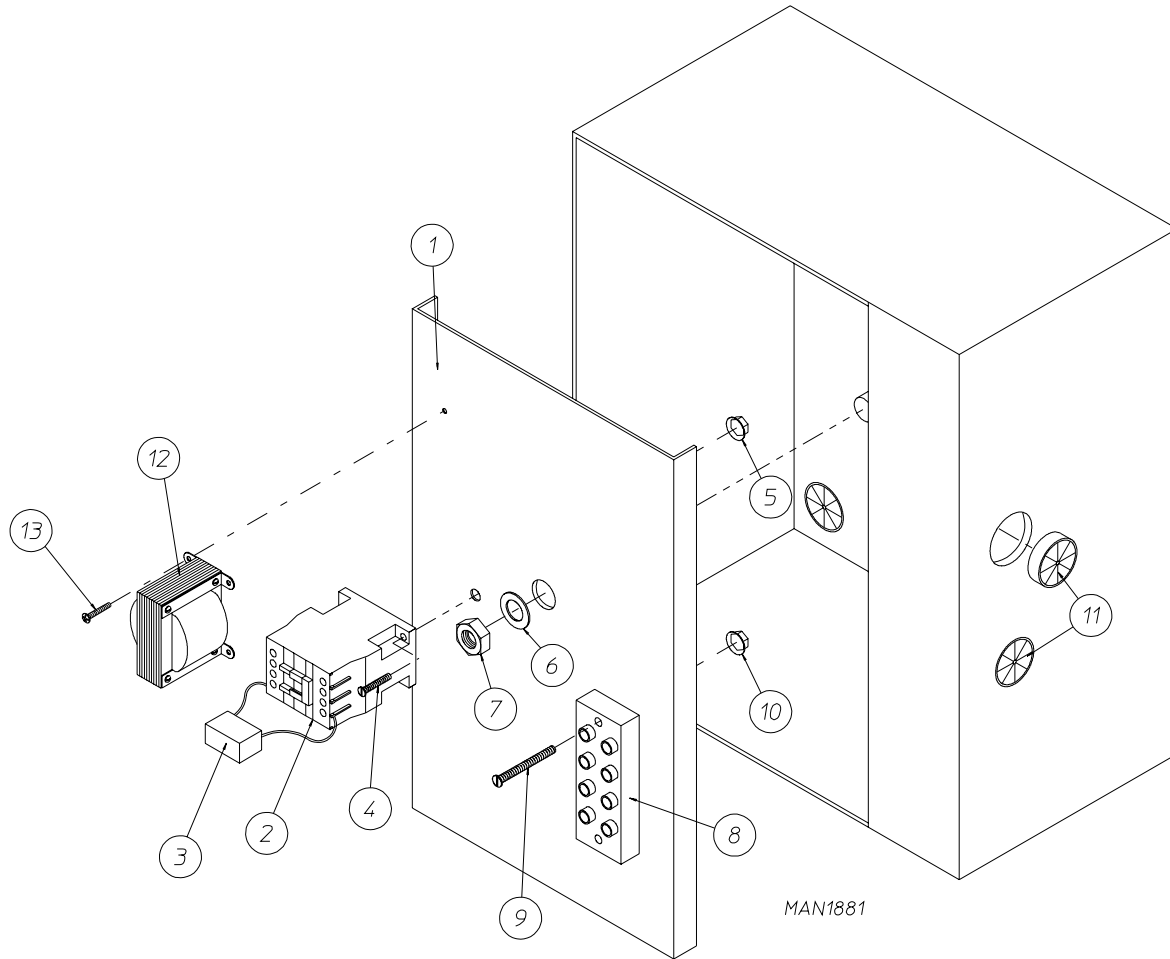
Illus. No.	Part No.	Qty.	Description
1	880502	1	Heat Reclaimer (6") Damper Assembly
2	850862	1	Direct Spark Ignition (DSI) Heat Reclaimer Burner Box and Bonnet ONLY
3	154004	1	Twin Speed Nut
4	150415	2	#10-16 x 1/2" Phillips Round Head Crimptite Screw
5	802799	1	Sail Switch Box Cover and Bracket ONLY
6	150303	2	#4 x 3/4" Pan Head "A" Machine Screw
7	122200	1	Sail Switch ONLY
8	105500	1	Sail Switch Actuator Rod
9	319202	1	Sail Switch Damper (flat)
10	154002	1	1/8" Push On Fastener
11	802801	1	Sail Switch Box Assembly Complete (includes illus. nos. 3 through 11)
	802800	1	Sail Switch Box with Cover and Bracket ONLY
12	142809	1	1/2" x 29-1/8" Pipe
13	840055	1	Sail Switch Harness
14	830116	1	Hi-Limit Harness
15	150415	2	#10-16 x 1/2" Phillips Round Head Crimptite Screw
16	319704	1	Hi-Limit Mounting Bracket ONLY
17	151000	2	#6-32 Pal Nut
18	150001	2	#6-32 x 1/2" Phillips Round Head Machine Screw
19	130401	1	330° Hi-Limit

Single-Phase (1 ϕ) Motor, Electric Relay Panel Assembly



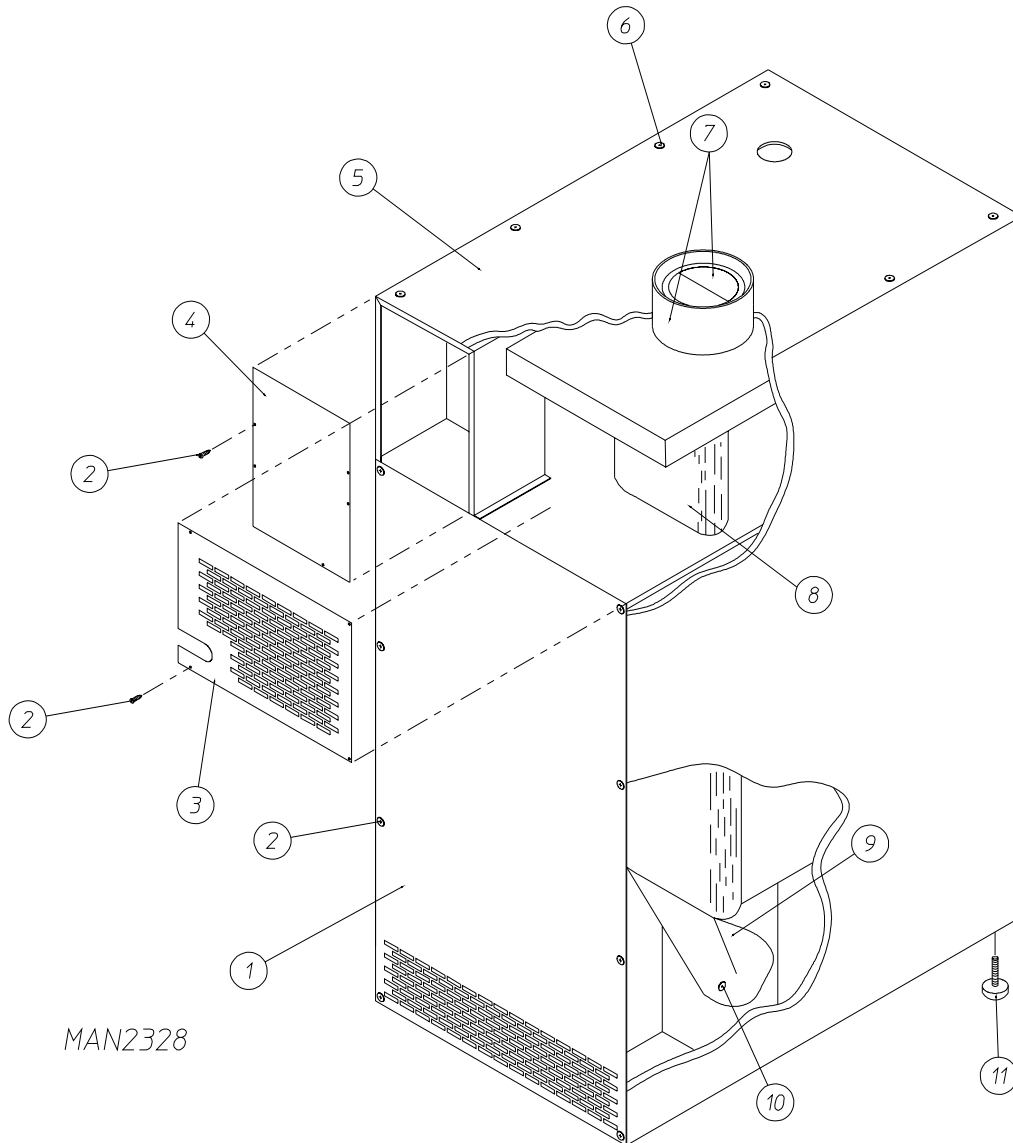
Illus. No.	Part No.	Qty.	Description
1	132475	1	2-Pole Contactor - 24 VAC
2	150299	2	#10 x 1" Hex Washer TEK Screw
3	824828	1	RC Network with Connectors (for microprocessor models Only)
---	322809	1	Back Electrical Box Cover...Not Illustrated
	150301	4	#8-18 x 7/16" Phillips Round Head TEK Screw...Not Illustrated

3-Phase (3 ϕ) Motor, Electric Relay Panel Assembly



Illus. No.	Part No.	Qty.	Description
1	322812	1	Back Electrical Box Component Plate
2	132430	1	Impellor (fan/blower) Contactor - 24 VAC (208/230/240v 50/60 Hz)
	132432	1	Impellor (fan/blower) Contactor Replacement Coil - 24 VAC (208/230/240v 50/60 Hz)
3	824828	1	RC Network with Filter (for microprocessor models Only)
4	150103	2	#8-32 x 3/4" Phillips Round Head Machine Screw
5	151001	2	#8-32 Pal Nut
6	153002	1	5/16" Lock Washer
7	152004	1	5/16-18 Hex Nut
8	120701	1	4-Position Terminal Block
9	150008	2	#6-32 x 1-1/4" Phillips Pan Head Machine Screw
10	151000	2	#6-32 Pal Nut
11	121300	3	Open/Closed Bushing
12	-----	1	Step Down Transformer (refer to Step Down Transformer Usage Listing on page 51)
13	150300	2	#10-16 x 1/2" Hex Washer TEK Screw
---	322809	1	Back Electrical Box Cover...Not Illustrated
	150301	4	#8-18 x 7/16" Phillips Pan Head TEK Screw...Not Illustrated

Outer Top/Back Guard Assemblies



Illus. No.	Part No.	Qty.	Description
1	330608	1	"Plain" Bottom Back Guard (for models mfd. as of August 16, 1995)
	330636	1	"Lettered" Bottom Back Guard (for models mfd. prior to August 16, 1995)
2	150301	16	#8-18 x 7/16" Phillips Pan Head TEK Screw
3	330614	1	Top Back Guard ONLY
4	322809	1	Back Electrical Box Cover
5	330619	1	Outer Top Guard ONLY
6	150301	8	#8-18 x 7/16" Phillips Pan Head TEK Screw
7	880502	1	Heat Reclaimer (6") Damper Assembly
8	143517	1	42" Long x 7" Oval Duct
9	143515	1	6" Round x 7" Oval - 90° Boot
10	150300	2	#10-16 x 1/2" Hex Washer TEK Screw
11	103500	4	Leveling Leg
---	117505	4	Aluminum Duct Tape (sold by the foot)...Not Illustrated

Microprocessor Coin Acceptors Listing

NOTE: Coin acceptors listed include optical switch (ADC Part No. 137056 Greenwald).
Coin acceptors listed include optical switch (ADC Part No. 881143 Hanke).

Single Coin*

ADC Part No.	Nation	Description
883363	United States	25¢ Hanke Optic Coin Acceptor with Studs (for models mfd. as of July 15, 2002)
152102	United States	M3 Metric Hex Nut used on P/N 883363 (qty. 4)
882689	United States	25¢ Hanke Optic Coin Acceptor (for models mfd. between July 17, 2000 and July 15, 2002)
125100	U.S. and Canada	25¢ Greenwald Optic Coin Acceptor (for models mfd. prior to July 17, 2000)
125107	Australia	20¢ Greenwald Australian Optic Coin Acceptor
881768	Australia	\$1 Hanke Australian Optic Coin Acceptor
881604	Japan	100 Yen Hanke Optic Coin Acceptor
125103	---	0.882 Greenwald Token Optic Coin Acceptor
125121	---	0.800 Greenwald Token Optic Coin Acceptor
125133	Hong Kong	\$1 Hong Kong Optic Coin Acceptor

Dual Coin*

ADC Part No.	Nation	Description
881508	U.S. and Canada	10¢/25¢ Hanke Dual Optic Coin Acceptor
881842	Canada	25¢/\$1 Hanke Dual Optic Coin Acceptor
881542	United Kingdom	1£/20 Pence Hanke Dual Optic Coin Acceptor
881846	France	2/5 French Franc Hanke Dual Optic Coin Acceptor
881541	Netherlands	25¢/1 Hanke Guilder Dual Optic Coin Acceptor

* Consult factory for coin acceptors not listed.

Step Down Transformer Usage Listing

ADG-285	Voltage	Wire Service	Step Down Transformer Part Number
	208/240	3 or 4	-----
	380	3	132059
	380	4	132059
	416	3	132062
	416	4	132062
	460/480	3	132053
	460/480	4	132053
	575	3	132050

NOTE: Step Down Transformer used on models mfd. for 380 volts or higher.

Part No.	Description
112027	“Water Washed Fabrics” Label
112040	“Lint Compartment” Label
112041	“Caution-Exhausted” Label
112533	“Phase 5 Coin Program Location Summary” Label
112534	“Phase 5 OPL Program Location Summary” Label
112804	Manometer (hydro gauge) for Measuring Gas Pressure
114007	“Danger High Voltage” Label
120100	3/8” Straight (BX) Connector
120300	3/8” x 45° (BX) Connector
120400	3/8” Red Jacket (BX) Insulator
120500	3/8” Jiffy Clip (BX retainer clip)
120600	3/8” Greenfield (BX)
120707	Terminal Strip (2-position)
120708	Terminal Strip (3-position)
120800	1/4” In-Line Connector
120802	Red Butt Connector
120902	#74B Wire Nut
120903	Crimp-On Wire Nut
121014	1/4” Insulated (female) Terminal
121026	Tab Receptacle Combination
121499	5-1/2” Harness Tie
121500	8” Harness Tie
121503	Harness Tie Mounting Clip
404502	White Brush-In-Cap Bottle Touch-Up Paint
404506	Almond Brush-In-Cap Bottle Touch-Up Paint
404507	Cornflower Blue Brush-In-Cap Bottle Touch-Up Paint
404515	Coral Blue Brush-In-Cap Bottle Touch-Up Paint
404516	Ivory Brush-In-Cap Bottle Touch-Up Paint

ADC450112 9-03/01/05-0

