



AD-330 / AD-320
Parts Manual
1989 thru 1991

American Dryer Corporation
88 Currant Road
Fall River, MA 02720-4781
Telephone: (508) 678-9000 / Fax: (508) 678-9447
E-mail: techsupport@amdry.com

www.amdry.com

Retain This Manual In A Safe Place For Future Reference

American Dryer Corporation products embody advanced concepts in engineering, design, and safety. If this product is properly maintained, it will provide many years of safe, efficient, and trouble free operation.

ONLY qualified technicians should service this equipment.

OBSERVE ALL SAFETY PRECAUTIONS displayed on the equipment or specified in the installation manual included with the dryer.

The following “**FOR YOUR SAFETY**” caution must be posted near the dryer in a prominent location.

FOR YOUR SAFETY

Do not store or use gasoline or other flammable vapors and liquids in the vicinity of this or any other appliance.

POUR VOTRE SÉCURITÉ

Ne pas entreposer ni utiliser d'essence ni d'autres vapeurs ou liquides inflammables à proximité de cet appareil ou de tout autre appareil.

We have tried to make this manual as complete as possible and hope you will find it useful. ADC reserves the right to make changes from time to time, without notice or obligation, in prices, specifications, colors, and material, and to change or discontinue models.

Important

For your convenience, log the following information:

DATE OF PURCHASE _____ MODEL NO. _____

RESELLER'S NAME _____

Serial Number(s) _____

Replacement parts can be obtained from your reseller or the ADC factory. When ordering replacement parts from the factory, you can FAX your order to ADC at (508) 678-9447 or telephone your order directly to the ADC Parts Department at (508) 678-9000. Please specify the dryer model number and serial number in addition to the description and part number, so that your order is processed accurately and promptly.

The illustrations on the following pages may not depict your particular dryer exactly. The illustrations are a composite of the various dryer models. Be sure to check the descriptions of the parts thoroughly before ordering.

“IMPORTANT NOTE TO PURCHASER”

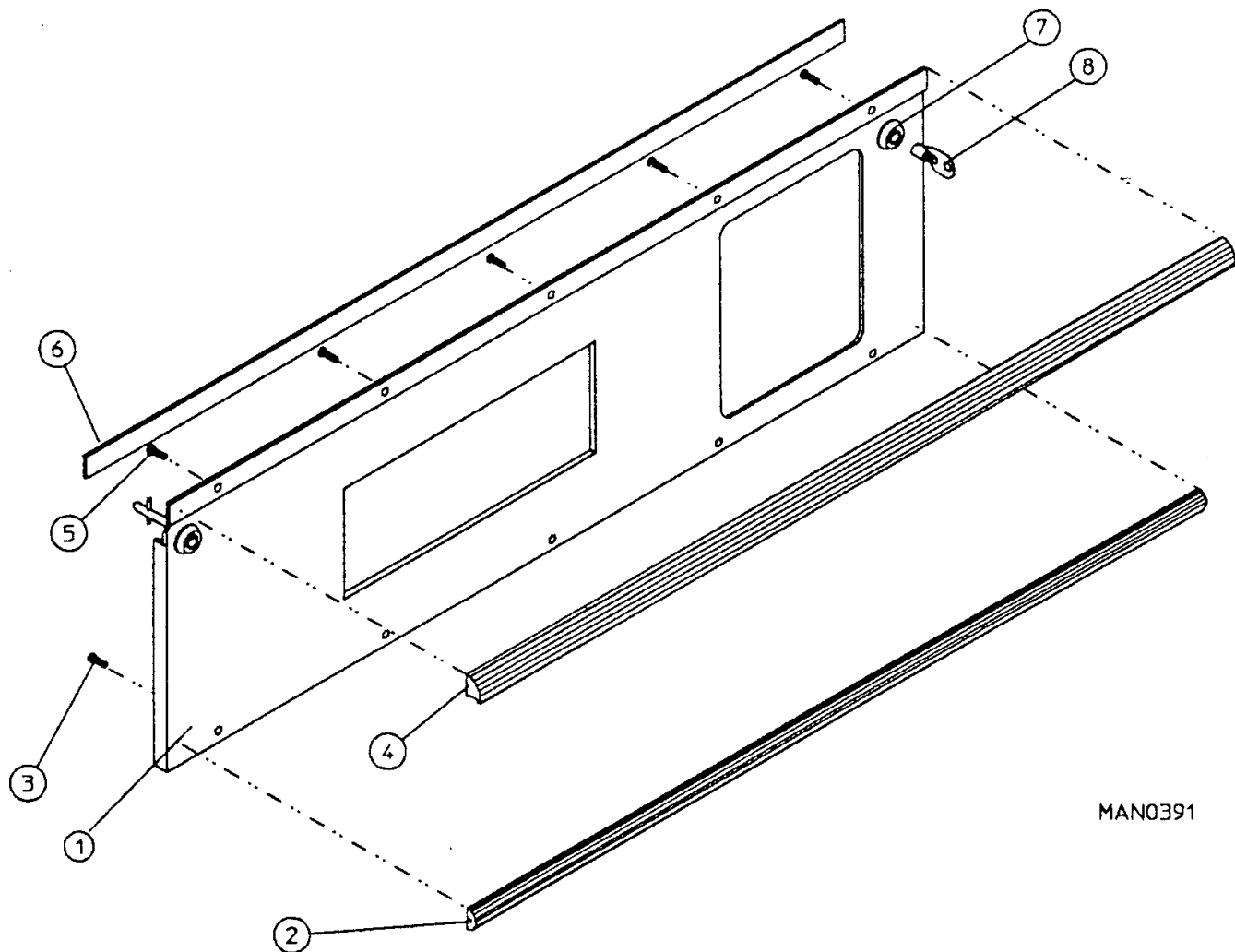
Information must be obtained from your local gas supplier on the instructions to be followed if the user smells gas. These instructions must be posted in a prominent location near the dryer.

Table of Contents

AD-330 (3-Leg) Coin Control Door Assembly for Models Mfd. as of December 10, 1991	4
AD-320 (3-Leg) Coin Control Door Assembly for Models Mfd. as of December 10, 1991	5
AD-330 (3-Leg) Non-Coin Control Door Assembly for Models Mfd. as of December 10, 1991	6
AD-320 (3-Leg) Non-Coin Control Door Assembly for Models Mfd. as of December 10, 1991	7
AD-330 (2-Leg) Coin Control Door Assembly for Models Mfd. prior to December 10, 1991	8
AD-320 (2-Leg) Coin Control Door Assembly for Models Mfd. prior to December 10, 1991	9
AD-330 (2-Leg) Non-Coin Control Door Assembly for Models Mfd. prior to December 10, 1991	10
AD-320 (2-Leg) Non-Coin Control Door Assembly for Models Mfd. prior to December 10, 1991	11
AD-330 Lint Door Assembly	12
AD-320 Lint Door Assembly	13
AD-330 Lint Drawer (Basket) Assembly	14
AD-320 Lint Drawer (Basket) Assembly	15
AD-330 Locking Lint Drawer (Basket) Assembly	16
AD-320 Locking Lint Drawer (Basket) Assembly	17
AD-330 / AD-320 Single Coin, DMC Control Panel Assembly	18
AD-330 / AD-320 25¢ Coin Acceptor Component Listing for Single Coin (25¢) Models ONLY	19
AD-330 / AD-320 Dual Coin, DMC Control Panel Assembly – Dual Coin for Export Models ONLY	20
AD-330 / AD-320 Dual Coin Acceptor Component Listing – Dual Coin for Export Models ONLY	22
AD-330 / AD-320 Non-Coin, DMC Control Panel Assembly for Non-Coin Models ONLY	24
AD-330 / AD-320 Coin Vault Assembly	25
AD-330 / AD-320 DMC Control Box Assembly for 115 Volt (1Ø) Application ONLY for Models Mfd. as of May 28, 1991	26
AD-330 / AD-320 DMC Control Box Assembly for 208 / 230 Volt (1Ø) Application ONLY for Models Mfd. as of May 28, 1991	28
AD-330 / AD-320 DMC Control Box Assembly for 208 / 230 Volt (1Ø) Application ONLY for Models Mfd. as of May 28, 1991	29
AD-330 / AD-320 DMC Control Box Assembly for Models Mfd. prior to May 28, 1991	30
AD-330 / AD-320 DMC Control Box Assembly for Models Mfd. prior to May 28, 1991	31
AD-330 / AD-320 Upper Front Panel Assembly – Latch-Type	32
AD-330 / AD-320 Lower Front Panel Assembly – Latch-Type	33
AD-330 / AD-320 Upper Front Panel Assembly – Magnet Type	34
AD-330 Lower Front Panel Assembly – Magnet-Type	35
AD-330 / AD-320 Main Door Assembly	36
AD-330 / AD-320 Main Door Assembly – Magnet-Type	37
AD-330 Tumbler / Support Assembly – Tapered Rib for Models Mfd. as of April 18, 1991	38
AD-320 Tumbler / Support Assembly – Tapered Rib	39
AD-330 Tumbler / Support Assembly – Standard Rib for Models Mfd. prior to April 18, 1991	40
AD-330 / AD-320 Tumbler Brush Assembly	41
AD-330 / AD-320 Temperature Sensor Bracket Assembly	42
AD-330 / AD-320 Lint Drawer (Basket) Switch Assembly	43
AD-330 / AD-320 Tumbler Bearing Assembly	44
AD-330 / AD-320 Totally Enclosed, Non-Vent Motor / Idler Assemblies for Models Mfd. as of January 7, 1991	46
AD-330 / AD-320 Totally Enclosed, Non-Vent Motor / Idler Assemblies for Models Mfd. prior to January 7, 1991	48
ADG-330 Gas Valve Train Assembly for Models Mfd. as of January 31, 1991	50
ADG-320 Gas Valve Train Assembly for Models Mfd. prior to January 31, 1991	52
ADG-330 Gas Valve Train Assembly for Models Mfd. prior to January 31, 1991	54
ADG-330 / ADG-320 Burner Box / Piping Assembly	56
ADS-330 / ADS-320 Steam Damper Assembly	57
AD-330 / AD-320 Sail Switch Assembly	58
AD-330 / AD-320 Back Guard Assembly	59
Optional Gas Piping and Exhaust Ducting Kits	60
AD-330 / AD-320 12-Rib 95" (J) Poly Belt Arrangement	61
Additional Parts Available	62

AD-330 (3-Leg) Coin Control Door Assembly

For Models Mfd. as of December 10, 1991



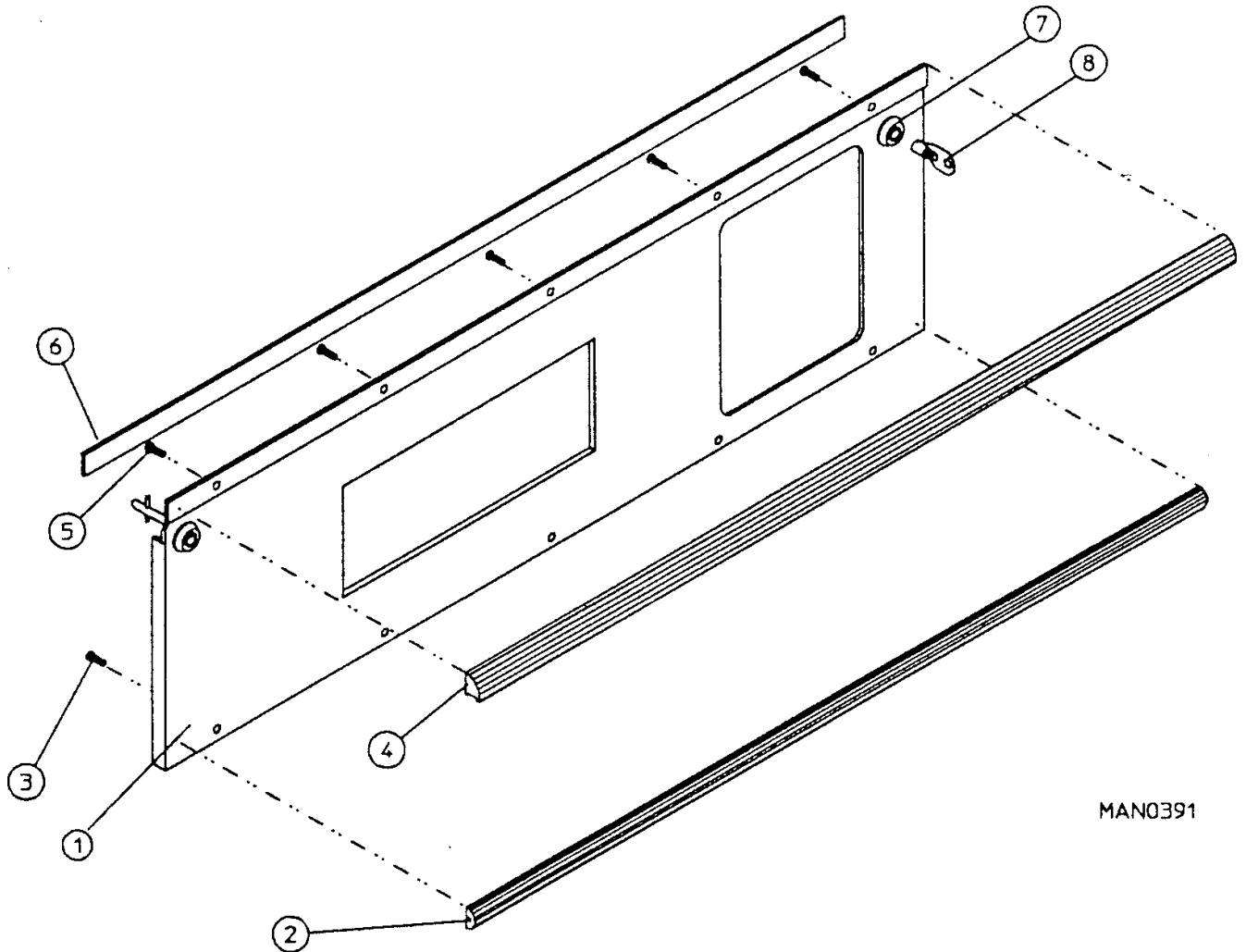
MAN0391

Illus. No.	Part No.	Qty.	Description
1	880199*	1	AD-330 (3-leg) Coin Control Door Assembly Complete Less Locks (includes illus. nos. 1 through 6)
	880198	1	AD-330 (3-leg) Stainless Steel Coin Control Door Complete Less Locks (includes illus. nos. 1 through 6)
2	180315	1	AD-330 Lower Door Trim (29-11/16" length)
3	150310	5	#8 x 1/2" Phillips Pan Head "A" Screw
4	180316	1	AD-330 Upper Door Trim (29-11/16" length)
5	150310	5	#8 x 1/2" Phillips Pan Head "A" Screw
6	117600	5	Noise Suppressor Tape (sold by the foot)
7	160040	2	ACE® Lock Assembly ONLY
8	160140	-	ACE® Key ONLY (key number XX4451)

* Specify color when ordering.

AD-320 (3-Leg) Coin Control Door Assembly

For Models Mfd. as of December 10, 1991



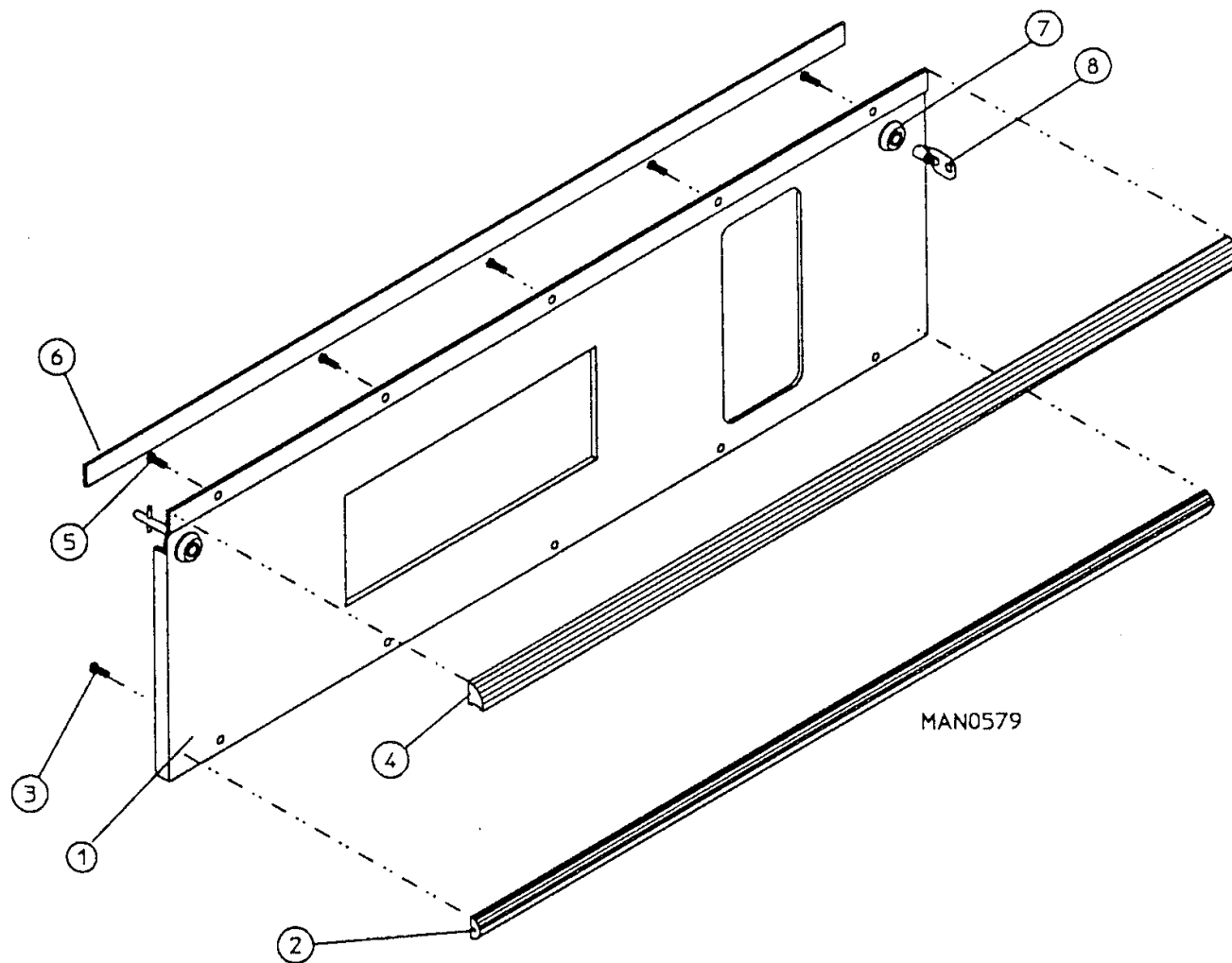
MAN0391

Illus. No.	Part No.	Qty.	Description
1	880193*	1	AD-320 (3-leg) Coin Control Door Assembly Complete Less Locks (includes illus. nos. 1 through 6)
	880192	1	AD-320 (3-leg) Stainless Steel Coin Control Door Complete Less Locks (includes illus. nos. 1 through 6)
2	180315	1	AD-320 Lower Door Trim (29-11/16" length)
3	150310	5	#8 x 1/2" Phillips Pan Head "A" Screw
4	180316	1	AD-320 Upper Door Trim (29-11/16" length)
5	150310	5	#8 x 1/2" Phillips Pan Head "A" Screw
6	117600	5	Noise Suppressor Tape (sold by the foot)
7	160040	2	ACE® Lock Assembly ONLY
8	160140	-	ACE® Key ONLY (key number XX4451)

* Specify color when ordering.

AD-330 (3-Leg) Non-Coin Control Door Assembly

For Models Mfd. as of December 10, 1991

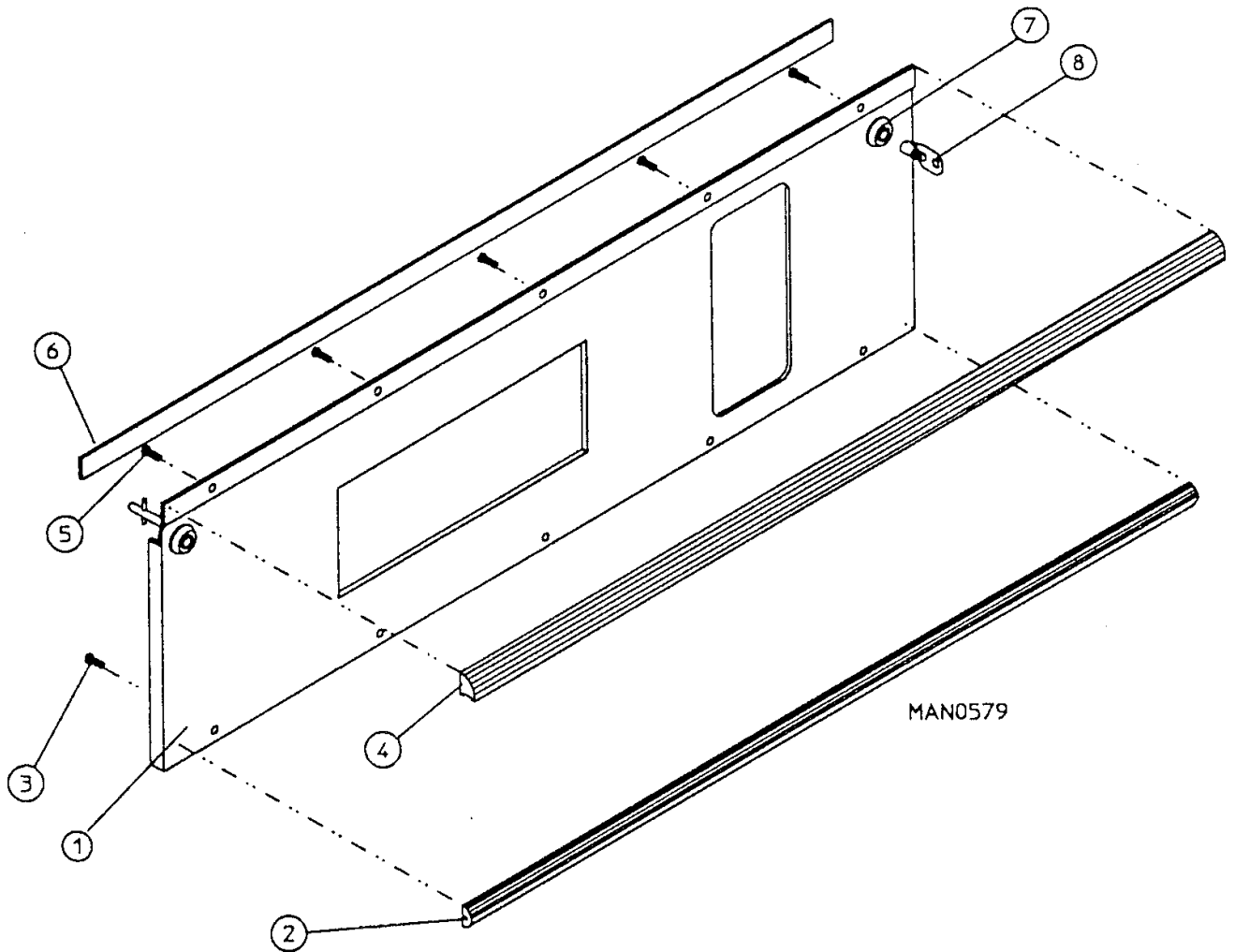


Illus. No.	Part No.	Qty.	Description
1	880196*	1	AD-330 (3-leg) Non-Coin Control Door Assembly Complete Less Locks (includes illus. nos. 1 through 6)
	880197	1	AD-330 (3-leg) Stainless Steel Non-Coin Control Door Complete Less Locks (includes illus. nos. 1 through 6)
2	180315	1	AD-330 Lower Door Trim (29-11/16" length)
3	150310	5	#8 x 1/2" Phillips Pan Head "A" Screw
4	180316	1	AD-330 Upper Door Trim (29-11/16" length)
5	150310	5	#8 x 1/2" Phillips Pan Head "A" Screw
6	117600	5	Noise Suppressor Tape (sold by the foot)
7	160040	2	ACE® Lock Assembly ONLY
8	160140	-	ACE® Key ONLY (key number XX4451)

* Specify color when ordering.

AD-320 (3-Leg) Non-Coin Control Door Assembly

For Models Mfd. as of December 10, 1991

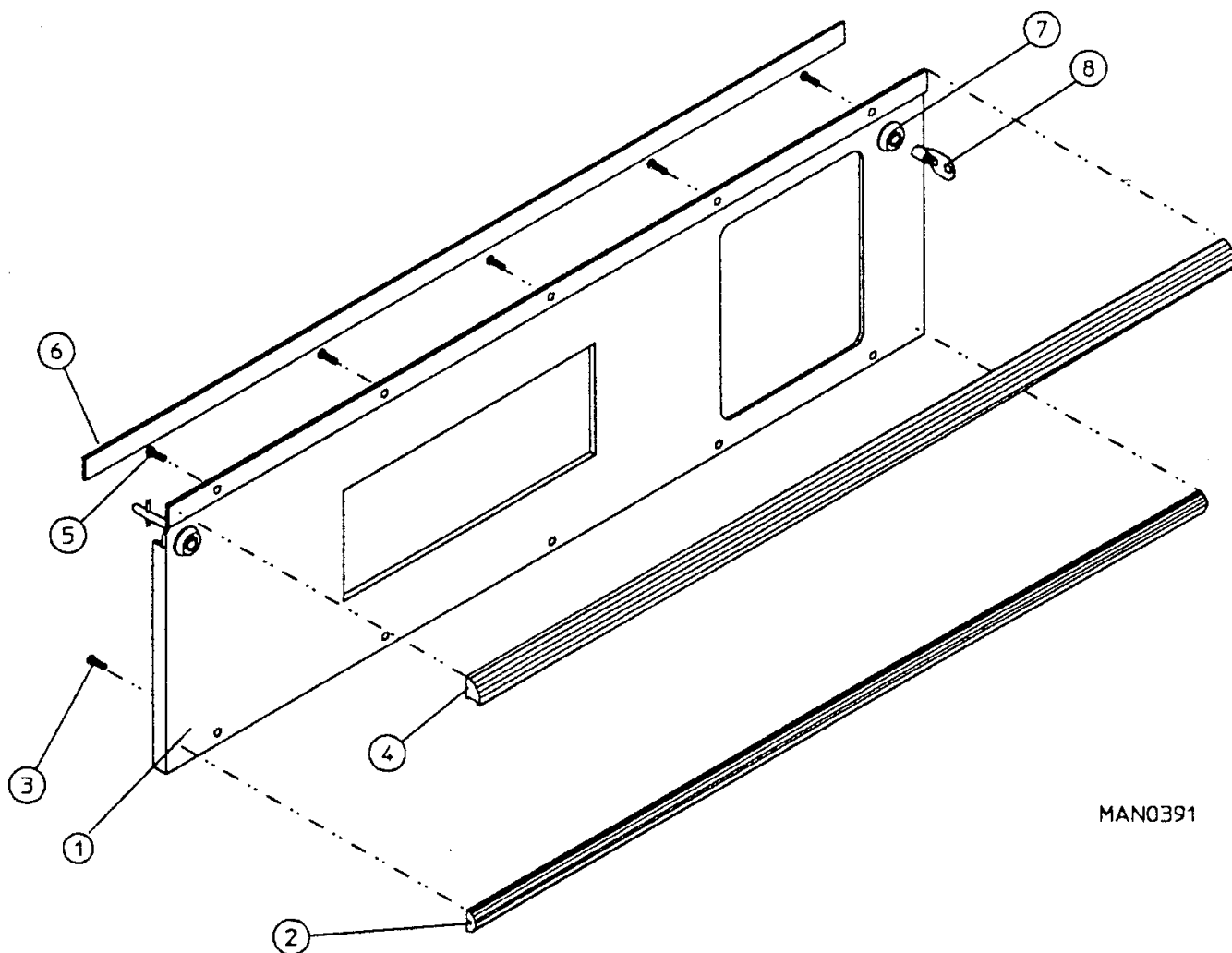


Illus. No.	Part No.	Qty.	Description
1	880191*	1	AD-320 (3-leg) Non-Coin Control Door Assembly Complete Less Locks (includes illus. nos. 1 through 6)
	880189	1	AD-320 (3-leg) Stainless Steel Non-Coin Control Door Complete Less Locks (includes illus. nos. 1 through 6)
2	180315	1	AD-320 Lower Door Trim (29-11/16" length)
3	150310	5	#8 x 1/2" Phillips Pan Head "A" Screw
4	180316	1	AD-320 Upper Door Trim (29-11/16" length)
5	150310	5	#8 x 1/2" Phillips Pan Head "A" Screw
6	117600	5	Noise Suppressor Tape (sold by the foot)
7	160040	2	ACE® Lock Assembly ONLY
8	160140	-	ACE® Key ONLY (key number XX4451)

* Specify color when ordering.

AD-330 (2-Leg) Coin Control Door Assembly

For Models Mfd. prior to December 10, 1991



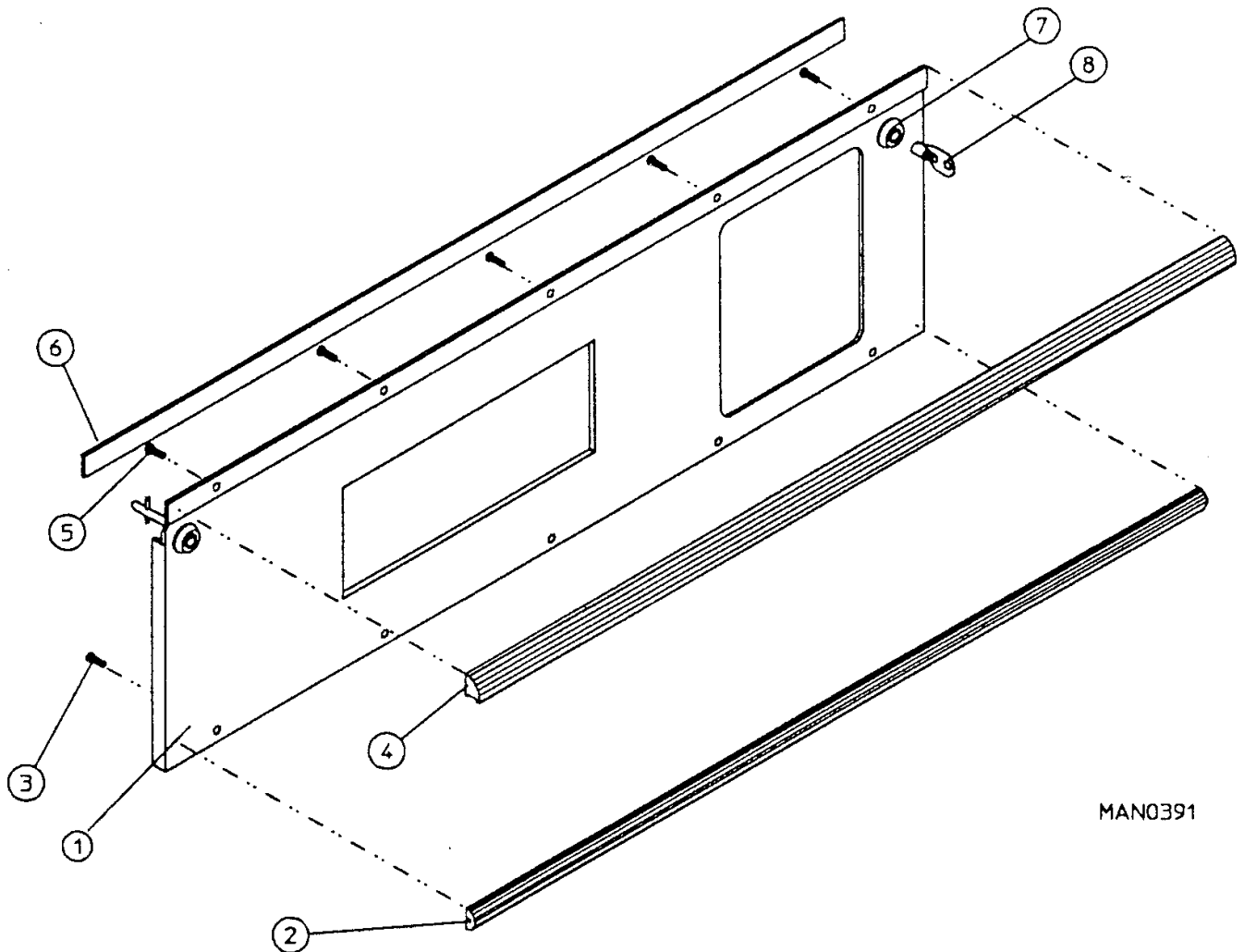
MAN0391

Illus. No.	Part No.	Qty.	Description
1	880177*	1	AD-330 (2-leg) Coin Control Door Assembly Complete Less Locks (includes illus. nos. 1 through 6)
	880179	1	AD-330 (2-leg) Stainless Steel Coin Control Door Complete Less Locks (includes illus. nos. 1 through 6)
2	180315	1	AD-330 Lower Door Trim (29-11/16" length)
3	150310	5	#8 x 1/2" Phillips Pan Head "A" Screw
4	180316	1	AD-330 Upper Door Trim (29-11/16" length)
5	150310	5	#8 x 1/2" Phillips Pan Head "A" Screw
6	117600	5	Noise Suppressor Tape (sold by the foot)
7	160040	2	ACE® Lock Assembly ONLY
8	160140	-	ACE® Key ONLY (key number XX4451)

* Specify color when ordering.

AD-320 (2-Leg) Coin Control Door Assembly

For Models Mfd. prior to December 10, 1991



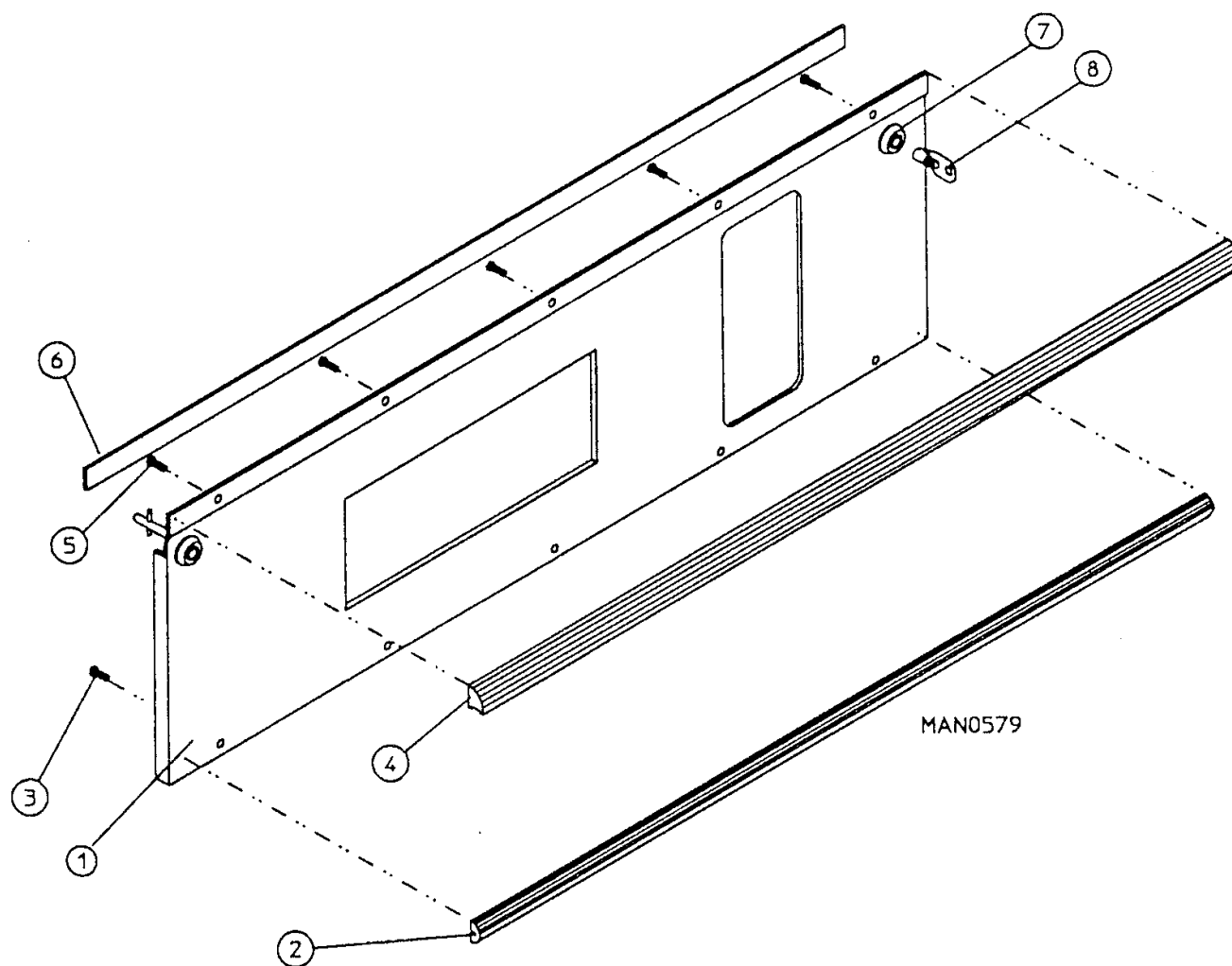
MAN0391

Illus. No.	Part No.	Qty.	Description
1	880228*	1	AD-320 (2-leg) Coin Control Door Assembly Complete Less Locks (includes illus. nos. 1 through 6)
	880187	1	AD-320 (2-leg) Stainless Steel Coin Control Door Complete Less Locks (includes illus. nos. 1 through 6)
2	180315	1	AD-320 Lower Door Trim (29-11/16" length)
3	150310	5	#8 x 1/2" Phillips Pan Head "A" Screw
4	180316	1	AD-320 Upper Door Trim (29-11/16" length)
5	150310	5	#8 x 1/2" Phillips Pan Head "A" Screw
6	117600	5	Noise Suppressor Tape (sold by the foot)
7	160040	2	ACE® Lock Assembly ONLY
8	160140	-	ACE® Key ONLY (key number XX4451)

* Specify color when ordering.

AD-330 (2-Leg) Non-Coin Control Door Assembly

For Models Mfd. prior to December 10, 1991

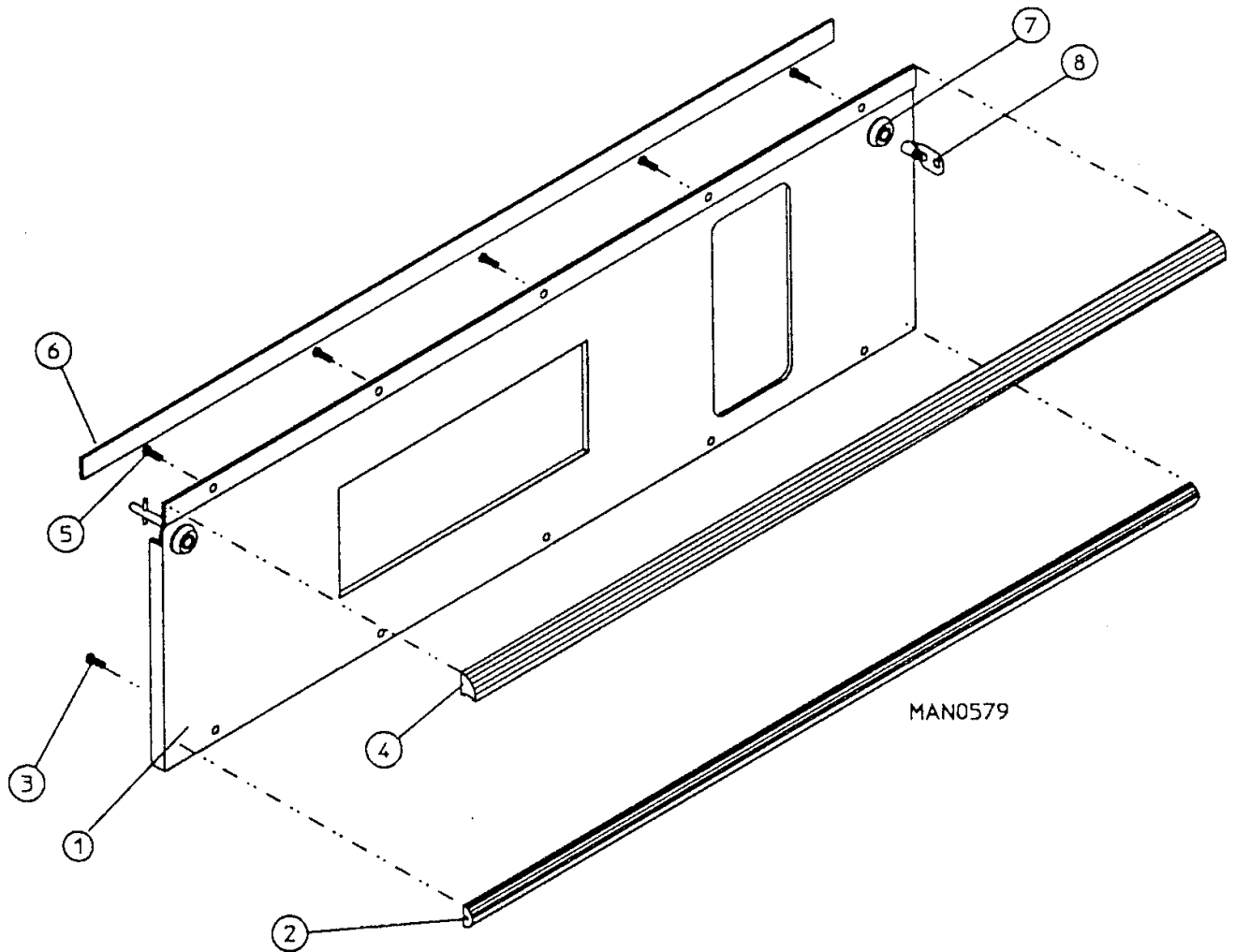


Illus. No.	Part No.	Qty.	Description
1	880178*	1	AD-330 (2-leg) Non-Coin Control Door Assembly Complete Less Locks (includes illus. nos. 1 through 6)
	880181	1	AD-330 (2-leg) Stainless Steel Non-Coin Control Door Complete Less Locks (includes illus. nos. 1 through 6)
2	180315	1	AD-330 Lower Door Trim (29-11/16" length)
3	150310	5	#8 x 1/2" Phillips Pan Head "A" Screw
4	180316	1	AD-330 Upper Door Trim (29-11/16" length)
5	150310	5	#8 x 1/2" Phillips Pan Head "A" Screw
6	117600	5	Noise Suppressor Tape (sold by the foot)
7	160040	2	ACE® Lock Assembly ONLY
8	160140	-	ACE® Key ONLY (key number XX4451)

* Specify color when ordering.

AD-320 (2-Leg) Non-Coin Control Door Assembly

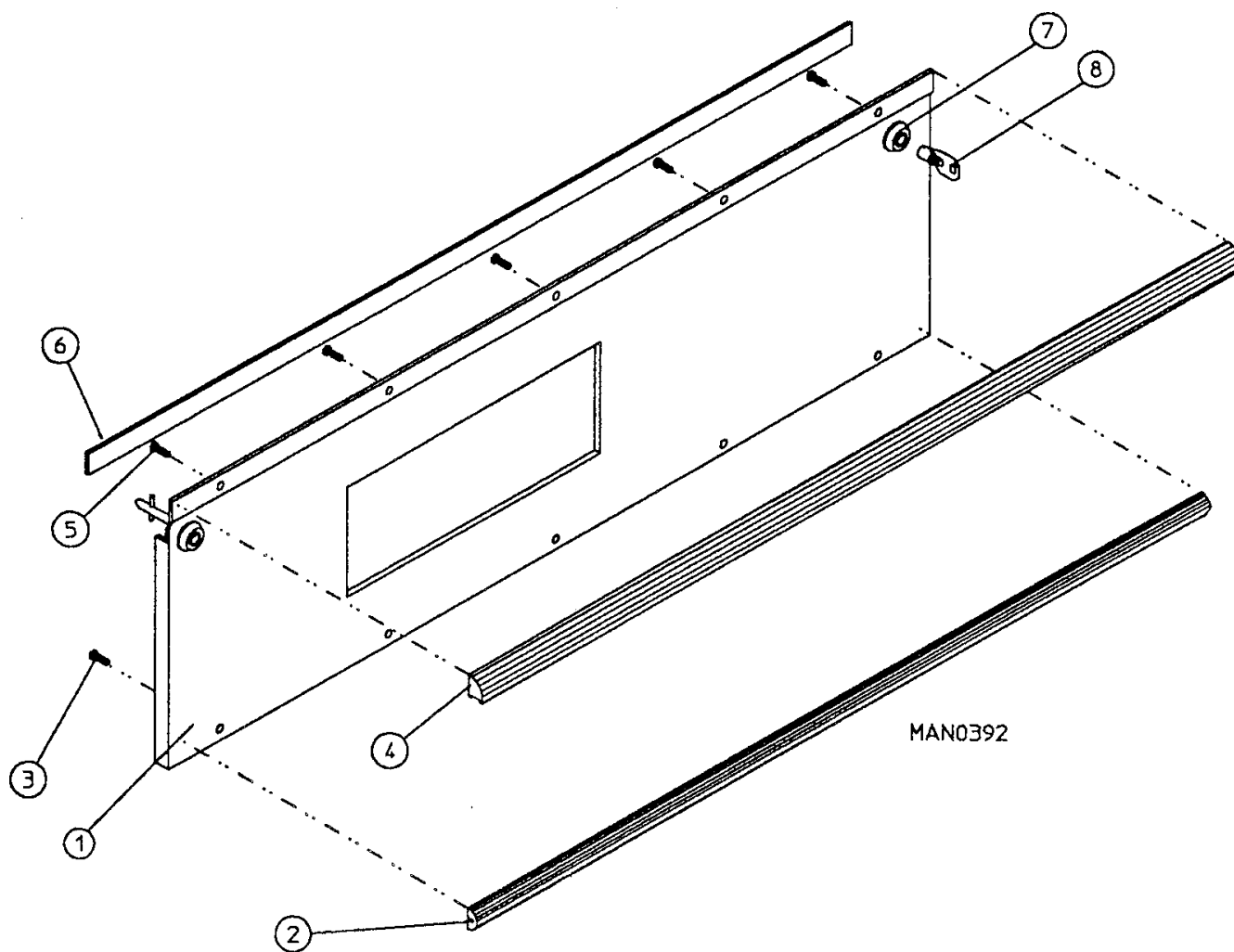
For Models Mfd. prior to December 10, 1991



Illus. No.	Part No.	Qty.	Description
1	880194*	1	AD-320 (2-leg) Non-Coin Control Door Assembly Complete Less Locks (includes illus. nos. 1 through 6)
	880188	1	AD-320 (2-leg) Stainless Steel Non-Coin Control Door Complete Less Locks (includes illus. nos. 1 through 6)
2	180315	1	AD-320 Lower Door Trim (29-11/16" length)
3	150310	5	#8 x 1/2" Phillips Pan Head "A" Screw
4	180316	1	AD-320 Upper Door Trim (29-11/16" length)
5	150310	5	#8 x 1/2" Phillips Pan Head "A" Screw
6	117600	5	Noise Suppressor Tape (sold by the foot)
7	160040	2	ACE® Lock Assembly ONLY
8	160140	-	ACE® Key ONLY (key number XX4451)

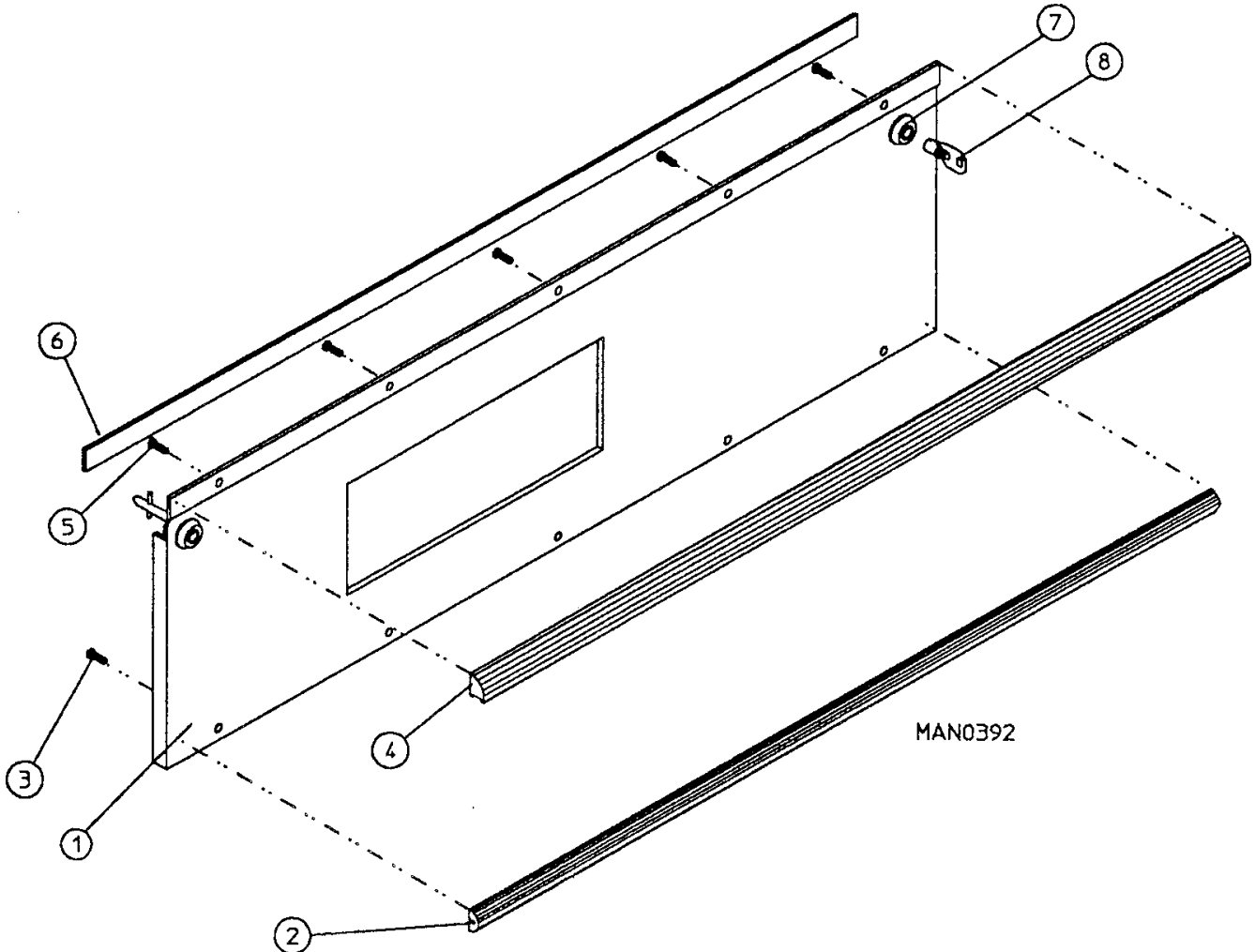
* Specify color when ordering.

AD-330 Lint Door Assembly



Illus. No.	Part No.	Qty.	Description
1	880175*	1	AD-330 Lint Door Assembly Complete Less Locks (includes illus. nos. 1 through 6)
	880176	1	AD-330 Stainless Steel Lint Door Complete Less Locks (includes illus. nos. 1 through 6)
2	180315	1	AD-330 Lower Door Trim (29-11/16" length)
3	150310	5	#8 x 1/2" Phillips Pan Head "A" Screw
4	180316	1	AD-330 Upper Door Trim (29-11/16" length)
5	150310	5	#8 x 1/2" Phillips Pan Head "A" Screw
6	117600	5	Noise Suppressor Tape (sold by the foot)
7	160040	2	ACE® Lock Assembly ONLY
8	160140	-	ACE® Key ONLY (key number XX4451)

* Specify color when ordering.



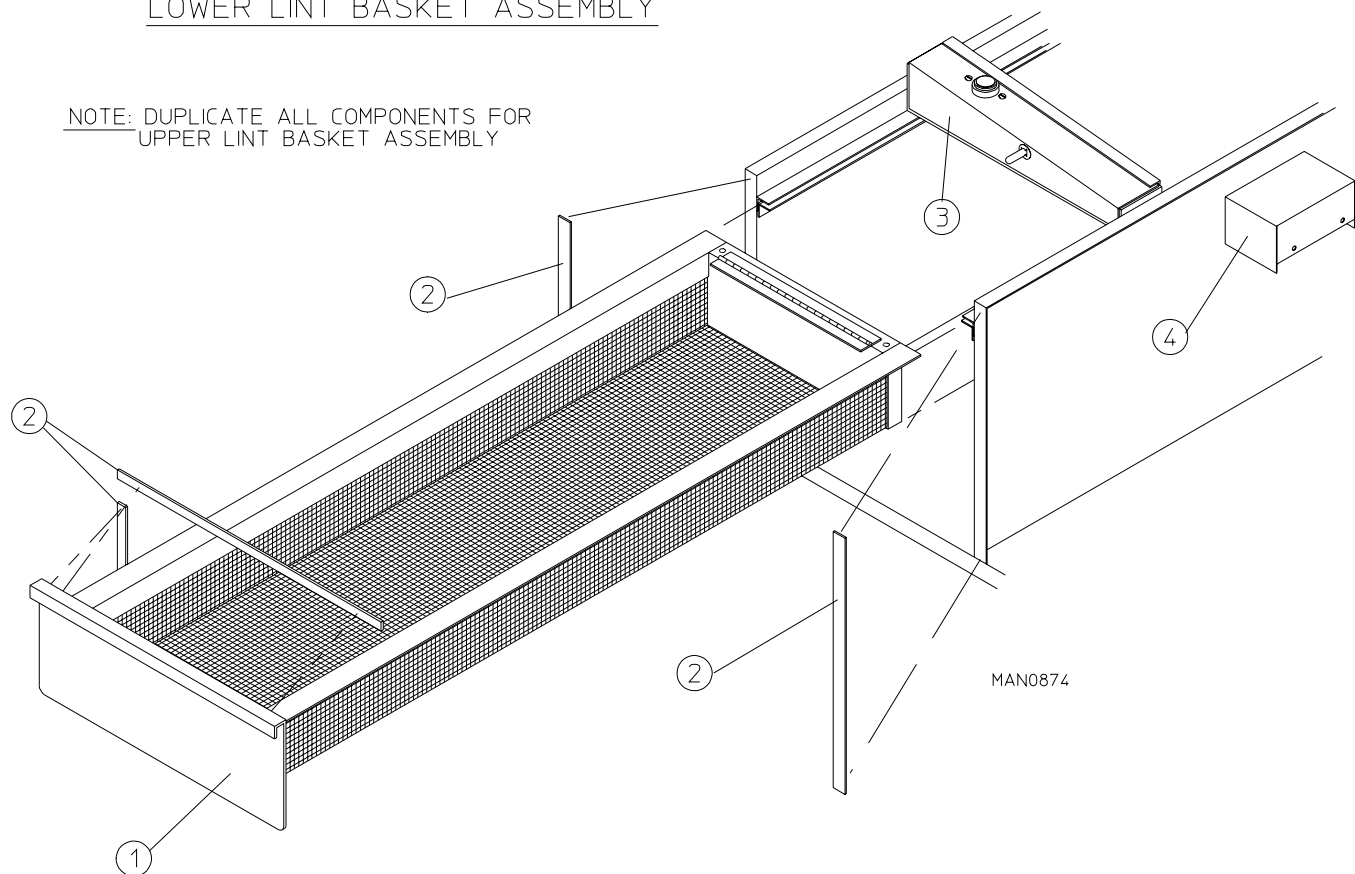
Illus. No.	Part No.	Qty.	Description
1	880246*	1	AD-320 Lint Door Assembly Complete Less Locks (includes illus. nos. 1 through 6)
	880195	1	AD-320 Stainless Steel Lint Door Complete Less Locks (includes illus. nos. 1 through 6)
2	180315	1	AD-320 Lower Door Trim (29-11/16" length)
3	150310	5	#8 x 1/2" Phillips Pan Head "A" Screw
4	180316	1	AD-320 Upper Door Trim (29-11/16" length)
5	150310	5	#8 x 1/2" Phillips Pan Head "A" Screw
6	117600	5	Noise Suppressor Tape (sold by the foot)
7	160040	2	ACE® Lock Assembly ONLY
8	160140	-	ACE® Key ONLY (key number XX4451)

* Specify color when ordering.

AD-330 Lint Drawer (Basket) Assembly

LOWER LINT BASKET ASSEMBLY

NOTE: DUPLICATE ALL COMPONENTS FOR UPPER LINT BASKET ASSEMBLY

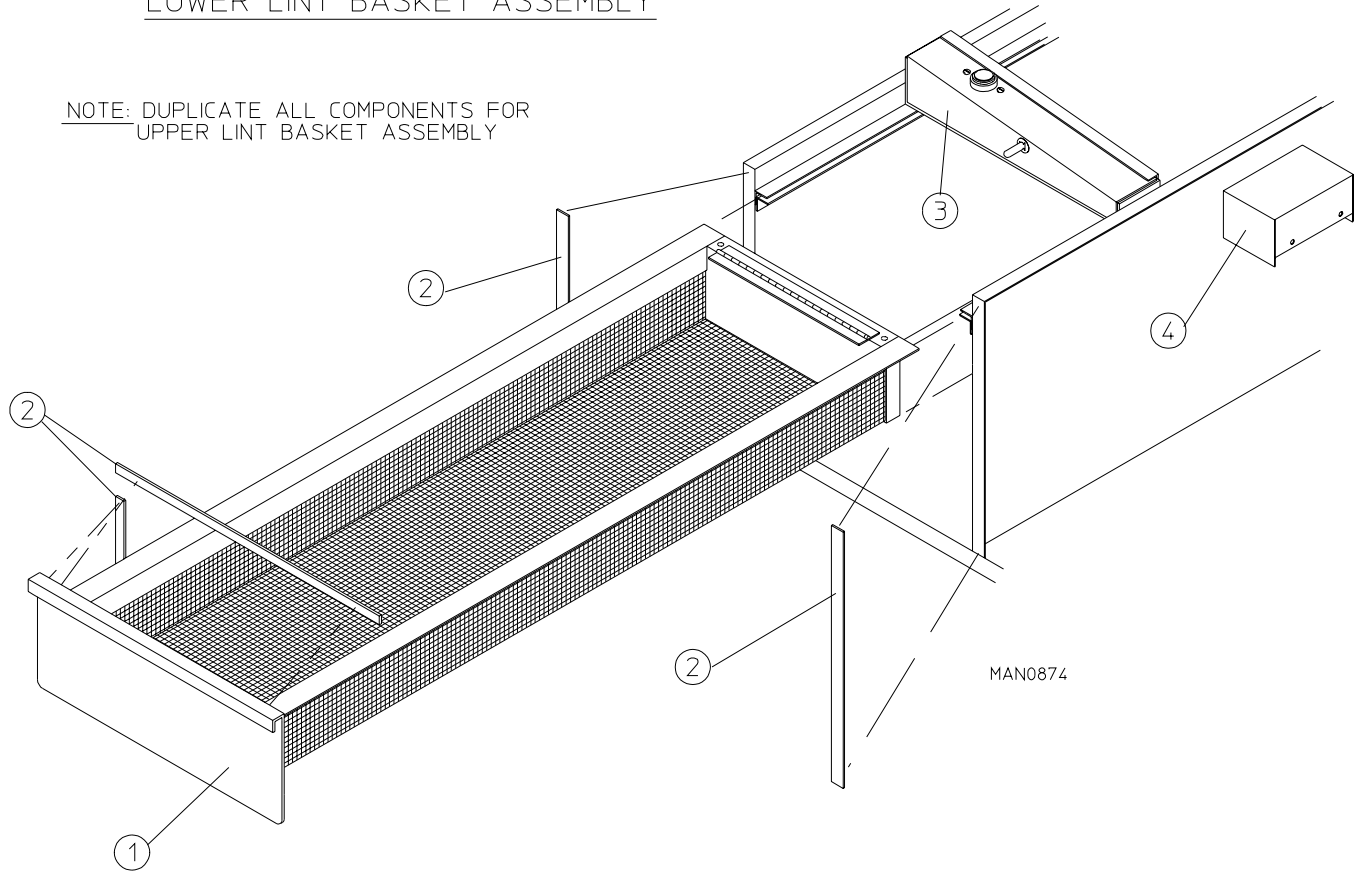


Illus. No.	Part No.	Qty.	Description
1	800435*	1	AD-330 Lint Drawer (basket) Assembly Complete (includes illus. nos. 1 and 2)
	850706	1	AD-330 Stainless Steel Lint Drawer (basket) Assembly Complete (includes illus. nos. 1 and 2)
2	117600	3	Noise Suppressor Tape (sold by the foot)
3	—	1	Temperature Sensor Bracket (refer to AD-330 / AD-320 Temperature Sensor Bracket Assembly on page 42)
4	—	1	Lint Drawer (basket) Switch (refer to AD-330 / AD-320 Lint Drawer [Basket] Switch Assembly on page 43)

* Specify color when ordering.

LOWER LINT BASKET ASSEMBLY

NOTE: DUPLICATE ALL COMPONENTS FOR UPPER LINT BASKET ASSEMBLY



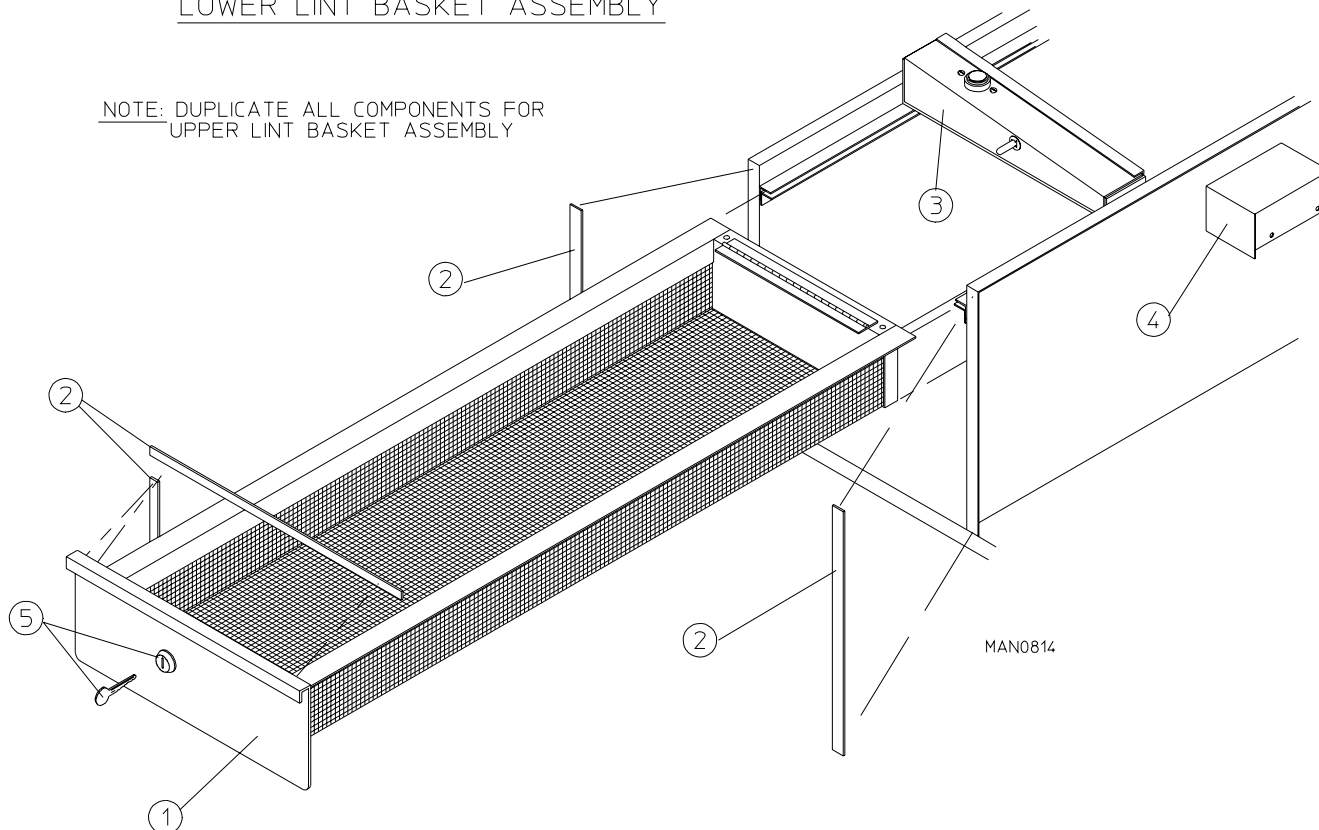
Illus. No.	Part No.	Qty.	Description
1	800439*	1	AD-320 Lint Drawer (basket) Assembly Complete (includes illus. nos. 1 and 2)
	850710	1	AD-320 Stainless Steel Lint Drawer (basket) Assembly Complete (includes illus. nos. 1 and 2)
2	117600	3	Noise Suppressor Tape (sold by the foot)
3	————	1	Temperature Sensor Bracket (refer to AD-330 / AD-320 Temperature Sensor Bracket Assembly on page 42)
4	————	1	Lint Drawer (basket) Switch (refer to AD-330 / AD-320 Lint Drawer [Basket] Switch Assembly on page 43)

* Specify color when ordering.

AD-330 Locking Lint Drawer (Basket) Assembly

LOWER LINT BASKET ASSEMBLY

NOTE: DUPLICATE ALL COMPONENTS FOR UPPER LINT BASKET ASSEMBLY



Illus. No.	Part No.	Qty.	Description
1	880182*	1	AD-330 Locking Lint Drawer (basket) Assembly Complete (includes illus. nos. 1 and 2)
	-----**	1	AD-330 Stainless Steel Locking Lint Drawer (basket) Assembly Complete (includes illus. nos. 1 and 2)
2	117600	3	Noise Suppressor Tape (sold by the foot)
3	-----	1	Temperature Sensor Bracket (refer to AD-330 / AD-320 Temperature Sensor Bracket Assembly on page 42)
4	-----	1	Lint Drawer (basket) Switch (refer to AD-330 / AD-320 Lint Drawer [Basket] Switch Assembly on page 43)
5	160015	1	High Security MK-100 Lock Assembly (includes lock, key, and cam)
	160104	1	MK-100 Key ONLY

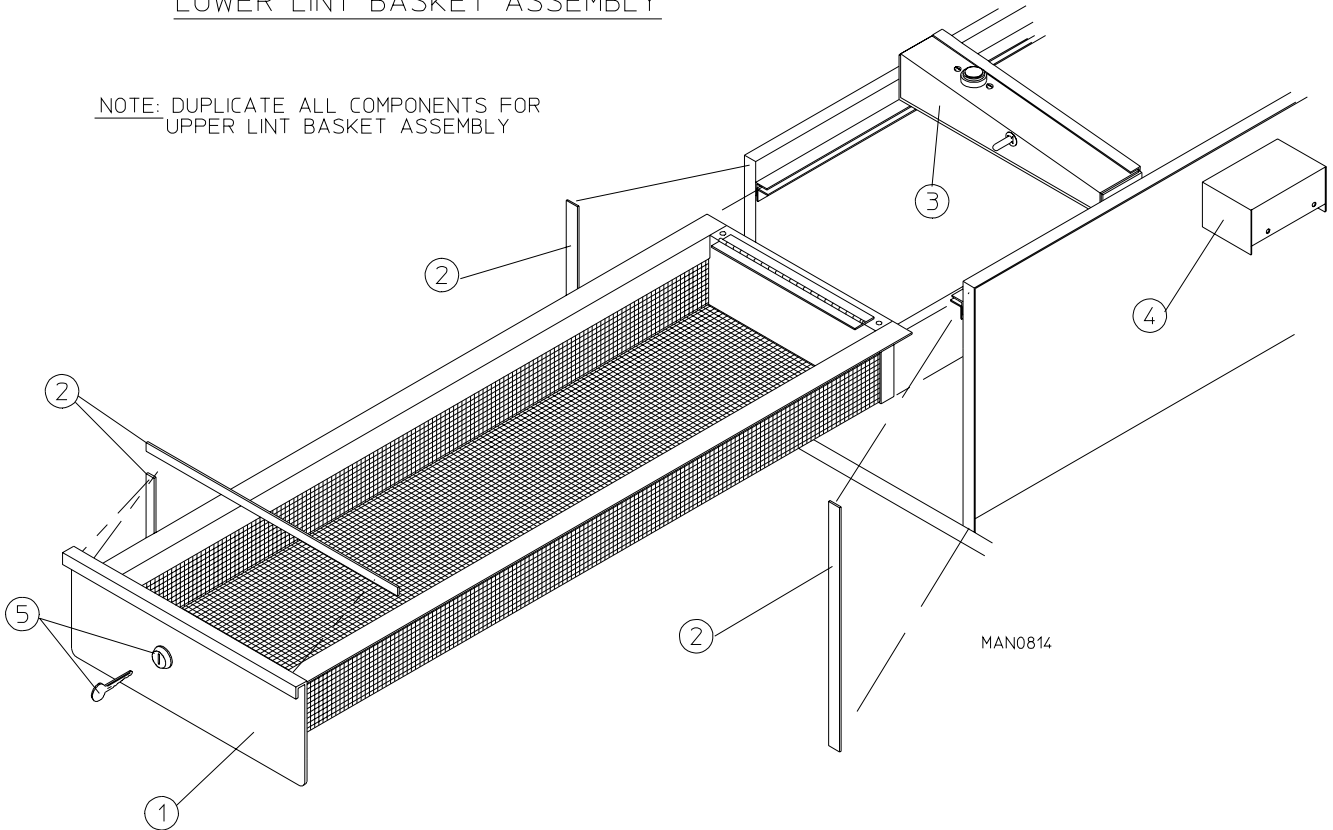
* Specify color when ordering.

** Contact factory for part number.

AD-320 Locking Lint Drawer (Basket) Assembly

LOWER LINT BASKET ASSEMBLY

NOTE: DUPLICATE ALL COMPONENTS FOR UPPER LINT BASKET ASSEMBLY



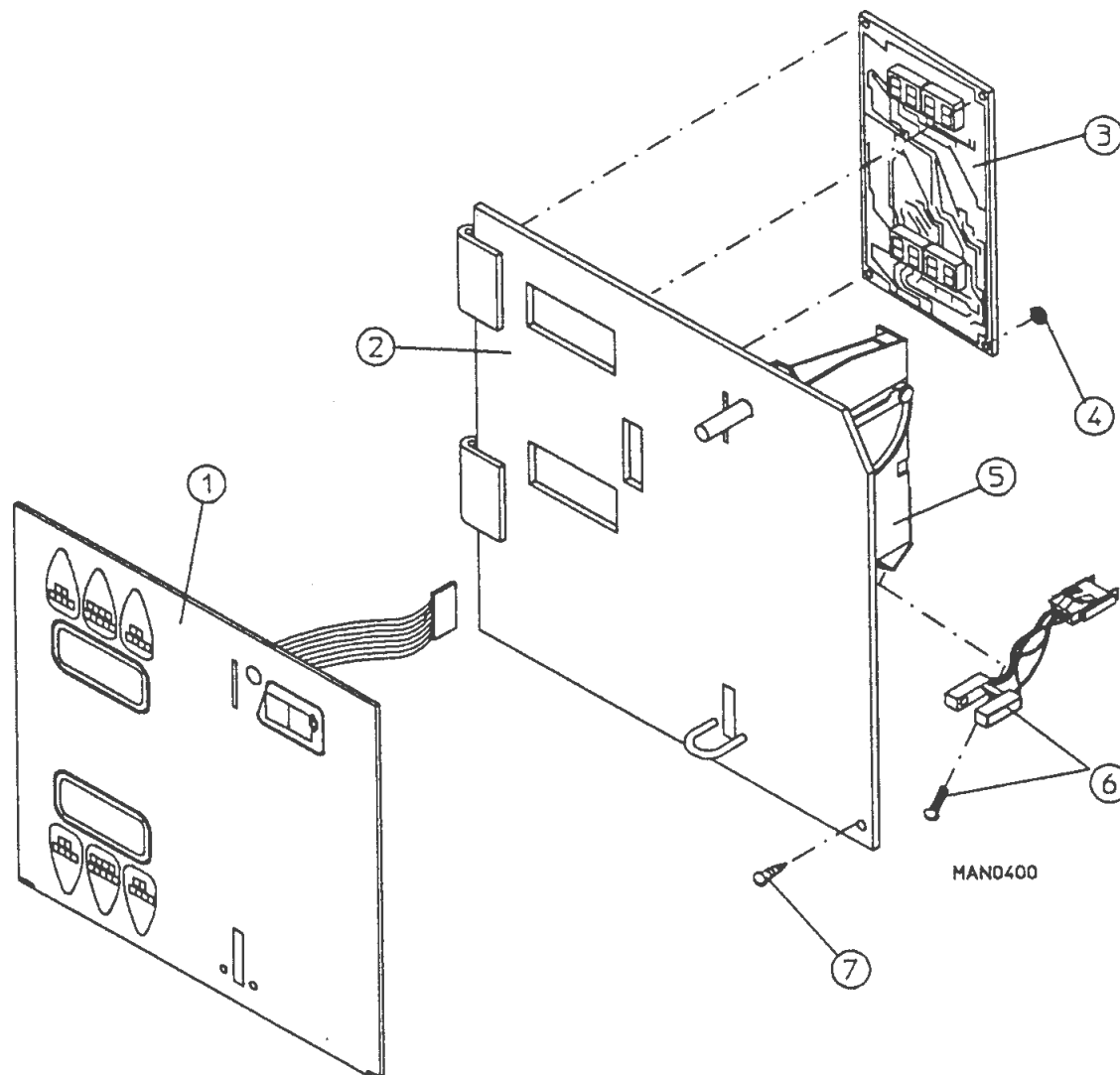
Illus. No.	Part No.	Qty.	Description
1	-----*	1	AD-320 Locking Lint Drawer (basket) Assembly Complete (includes illus. nos. 1 and 2)
	-----**	1	AD-320 Stainless Steel Locking Lint Drawer (basket) Assembly Complete (includes illus. nos. 1 and 2)
2	117600	3	Noise Suppressor Tape (sold by the foot)
3	-----	1	Temperature Sensor Bracket (refer to AD-330 / AD-320 Temperature Sensor Bracket Assembly on page 42)
4	-----	1	Lint Drawer (basket) Switch (refer to AD-330 / AD-320 Lint Drawer [Basket] Switch Assembly on page 43)
5	160015	1	High Security MK-100 Lock Assembly (includes lock, key, and cam)
	160104	1	MK-100 Key ONLY

* Specify color when ordering.

** Contact factory for part number.

AD-330 / AD-320 Single Coin, DMC Control Panel Assembly

For Single Coin (25¢) Models ONLY

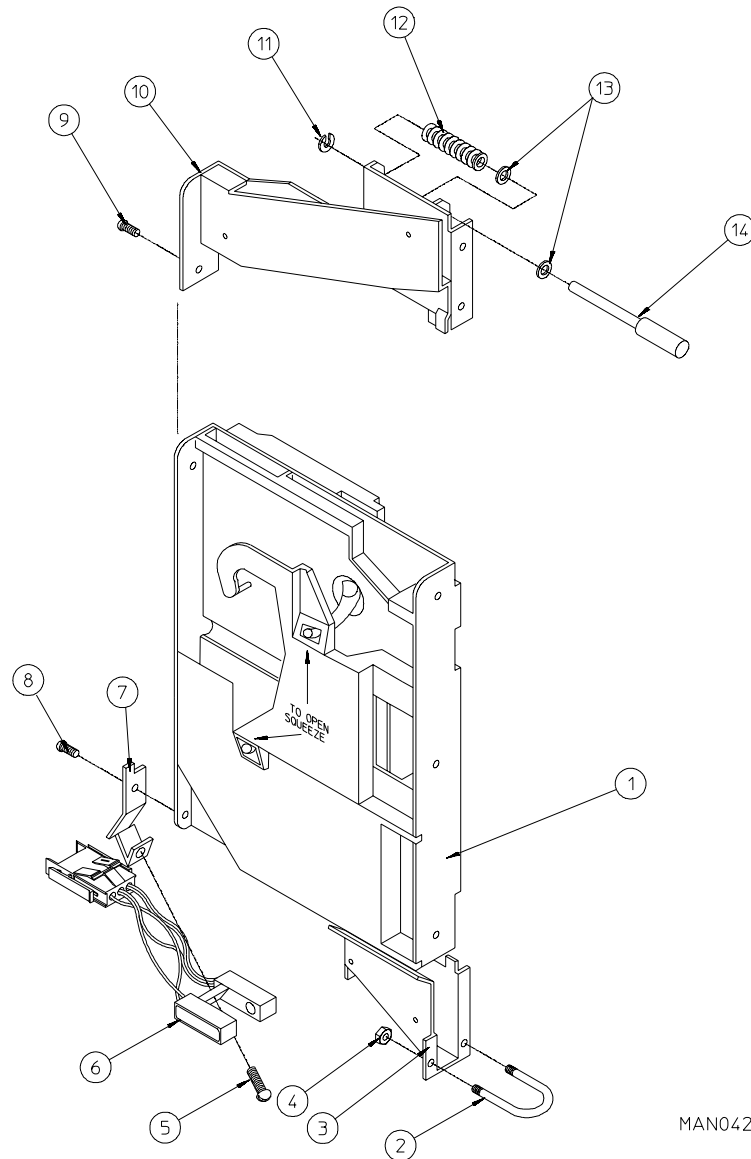


Illus. No.	Part No.	Qty.	Description
1	112556	1	AD-330 / AD-320 Single Coin (25¢) Dual Microprocessor Controller Twin-Keypad Label Assembly ONLY
2	800074*	1	AD-330 / AD-320 25¢ Dual Microprocessor Controller Control Panel Assembly Complete (includes illus. nos. 1 through 6)
	800067*	1	AD-330 / AD-320 25¢ Dual Microprocessor Controller Control Panel Assembly Complete with Battery Option (includes illus. nos. 1 through 6)
	800078	1	AD-330 / AD-320 Single Coin Control Panel Assembly Less Coin Acceptor (includes illus. nos. 1 through 4)
	850437	1	AD-330 / AD-320 Dual Microprocessor Controller Control Panel ONLY
3	137162	1	AD-330 / AD-320 Dual Microprocessor Controller ONLY
	137163	1	AD-330 / AD-320 Dual Microprocessor Controller ONLY with Battery Clip
4	152001	4	#8-32 Hex Nut
5	—	1	25¢ Coin Acceptor ONLY (refer to AD-330 / AD-320 25¢ Coin Acceptor Component Listing on page 19)
6	137056	1	Optical Switch ONLY
7	150301	1	#8-18 x 7/16" Phillips Pan Head TEK Screw

* Contact factory for export models.

AD-330 / AD-320 25¢ Coin Acceptor Component Listing

For Single Coin (25¢) Models ONLY

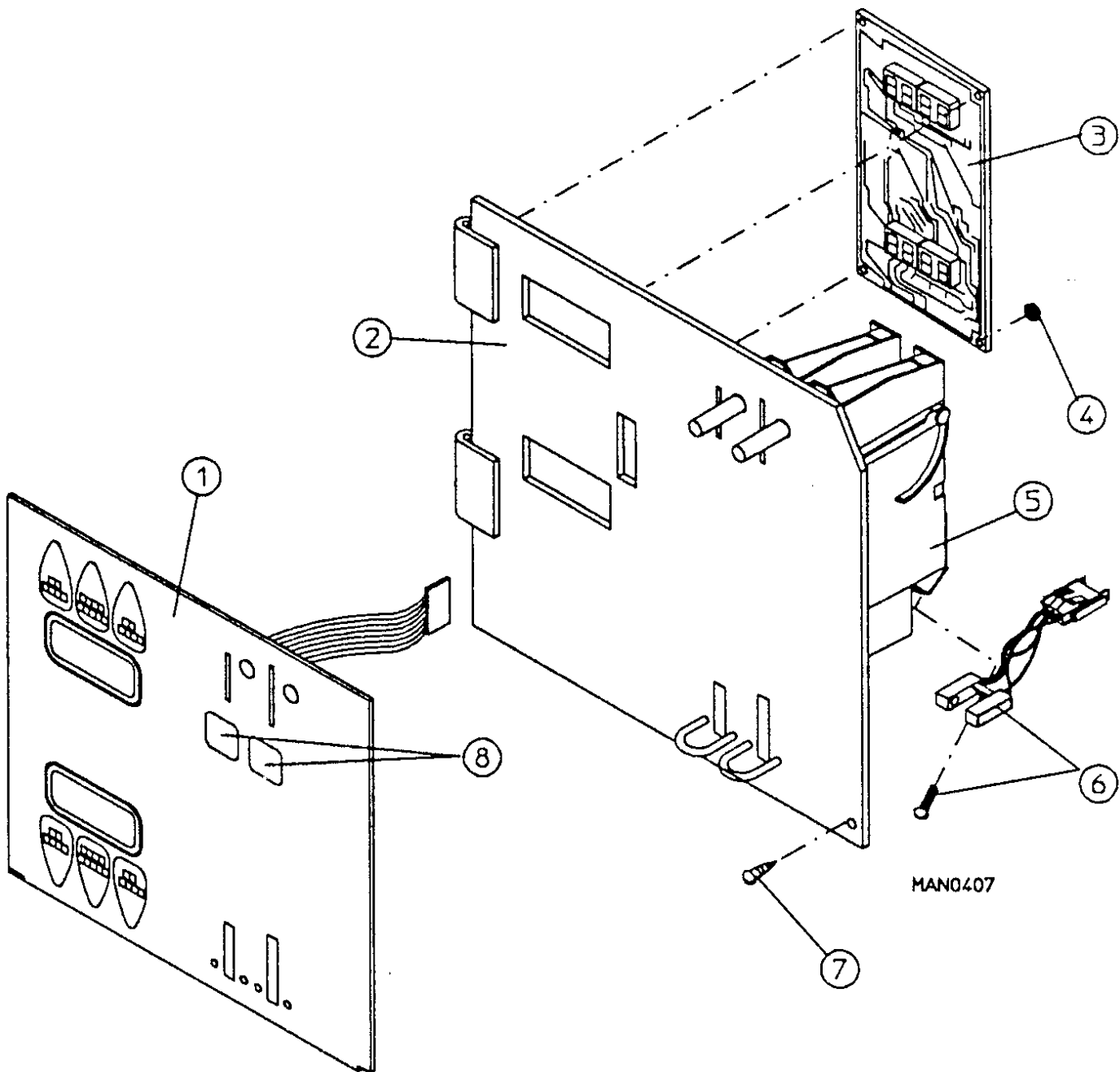


MAN0429

<u>Illus. No.</u>	<u>Part No.</u>	<u>Qty.</u>	<u>Description</u>
1	125707	1	AD-330 / AD-320 25¢ Coin Acceptor Body ONLY
2	154320	1	#4-40 x 11/16" x 1" U-Bolt ONLY
3	125710	1	AD-330 / AD-320 25¢ Coin Acceptor Lower Assembly ONLY
4	152016	2	#4-40 Hex Nut
5	150020	1	#4-40 x 5/16" Slotted Pan Head Machine Screw
6	137056	1	Optical Switch ONLY
7	137049	1	Optical Switch Mounting Bracket ONLY
8	150020	1	#4-40 x 5/16" Slotted Pan Head Machine Screw
9	150020	1	#4-40 x 5/16" Slotted Pan Head Machine Screw
10	125715	1	AD-330 / AD-320 25¢ Coin Acceptor Upper Assembly Complete (includes illus. nos. 10 through 14)
11	125706	1	3/16" Coin Acceptor Retaining Ring ONLY
12	125704	1	Coin Acceptor Spring ONLY
13	125705	1	Coin Acceptor Spacer ONLY
14	125703	1	Coin Acceptor Rod ONLY

AD-330 / AD-320 Dual Coin, DMC Control Panel Assembly

Dual Coin for Export Models ONLY



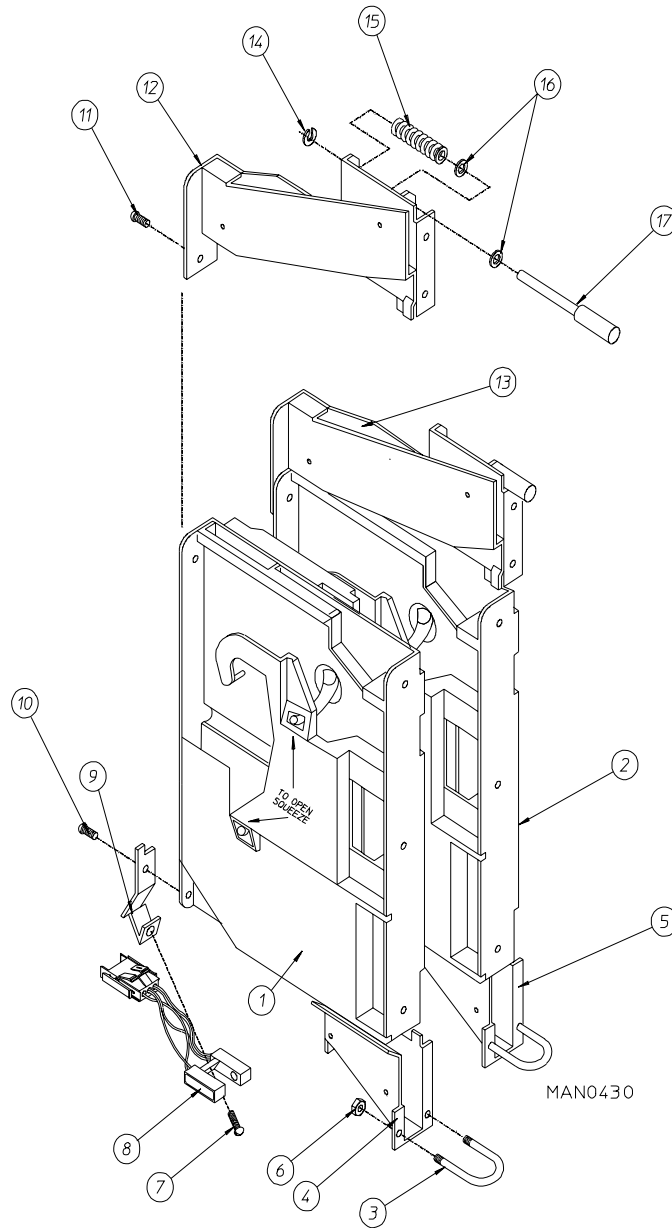
AD-330 / AD-320 Dual Coin, DMC Control Panel Assembly

Dual Coin for Export Models ONLY

<u>Illus. No.</u>	<u>Part No.</u>	<u>Qty.</u>	<u>Description</u>
1	112557	1	AD-330 / AD-320 Dual Microprocessor Controller Dual Coin Twin-Keypad Label Assembly ONLY
2	800079	1	AD-330 / AD-320 Dual Microprocessor Controller Dual Coin Control Panel Assembly Less Coin Acceptor (includes illus. nos. 1 through 4)
	800065	1	AD-330 / AD-320 Dual Microprocessor Controller Dual Coin Control Panel Assembly with Battery Option Less Coin Acceptor (includes illus. nos. 1 through 4)
3	137162	1	AD-330 / AD-320 Dual Microprocessor Controller ONLY
	137163	1	AD-330 / AD-320 Dual Microprocessor Controller ONLY with Battery Clip
4	152001	4	#8-32 Hex Nut
5	————	1	Dual Coin Acceptor ONLY (refer to AD-330 / AD-320 Dual Coin Acceptor Component Listing on page 22)
6	137056	2	Optical Switch ONLY
7	150301	1	#8-18 x 7/16" Phillips Pan Head TEK Screw
8	112153	1	25¢ / \$1 Currency Label (Canada Only)
	112152	1	20P / 50P Currency Label (United Kingdom Only)
	112154	1	20P / 1£ Currency Label (United Kingdom Only)
	112150	1	5BF / 20BF Currency Label (Belgium Only)
	112151	1	2FF / 5FF Currency Label (France Only)
	112155	1	5KG / 10KG Currency Label (Denmark Only)
	112156	1	25¢ / 1G Currency Label (Netherlands Only)

AD-330 / AD-320 Dual Coin Acceptor Component Listing

Dual Coin for Export Models ONLY



Illus. No.	Part No.	Qty.	Description
1	125726	1	\$1 Canadian Coin Acceptor Body ONLY
	125729	1	50 English Pence (50P) Coin Acceptor Body ONLY
	125730	1	1 English Pound (1£) Coin Acceptor Body ONLY
	125732	1	20 Belgian Franc (20BF) Coin Acceptor Body ONLY
	125735	1	5 French Franc (5FF) Coin Acceptor Body ONLY
	125738	1	10 Danish Krona (10KR) Coin Acceptor Body ONLY
	125740	1	1 Dutch Guilder (1G) Coin Acceptor Body ONLY
	2	125725	1
125728		1	20 English Pence (20P) Coin Acceptor Body ONLY
125731		1	5 Belgian Franc (5BF) Coin Acceptor Body ONLY
125734		1	2 French Franc (2FF) Coin Acceptor Body ONLY
125737		1	5 Danish Krona (5KR) Coin Acceptor Body ONLY
125739		1	25¢ Dutch Guilder Coin Acceptor Body ONLY
3	154320	2	#4-40 x 11/16" x 1" U-Bolt ONLY

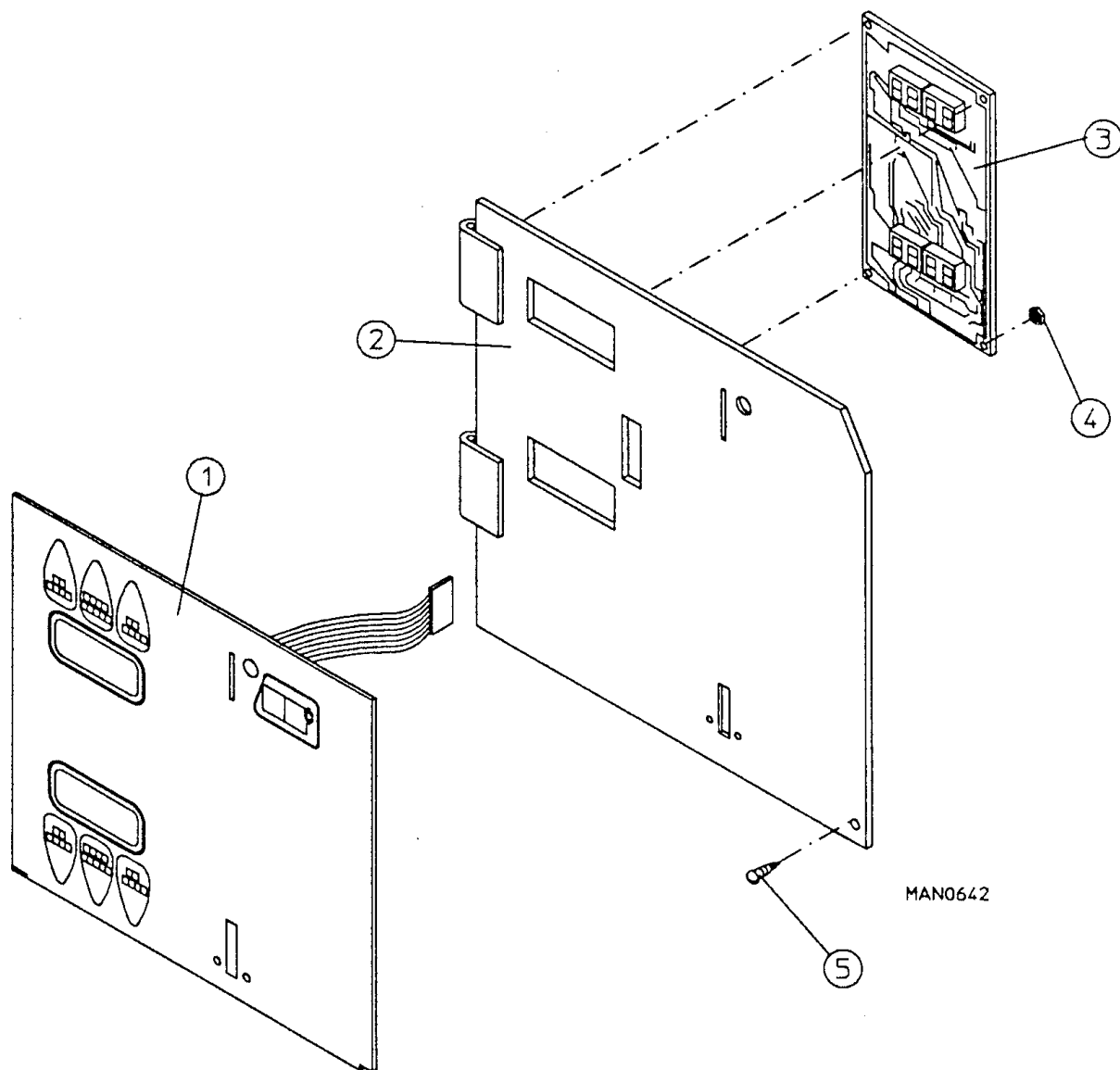
AD-330 / AD-320 Dual Coin Acceptor Component Listing

Dual Coin for Export Models ONLY

<u>Illus. No.</u>	<u>Part No.</u>	<u>Qty.</u>	<u>Description</u>
4	125717	1	\$1 Canadian Coin Acceptor Lower Assembly ONLY
	"	1	50 English Pence (50P) Coin Acceptor Lower Assembly ONLY
	"	1	1 English Pound (1£) Coin Acceptor Lower Assembly ONLY
	"	1	20 Belgian Franc (20BF) Coin Acceptor Lower Assembly ONLY
	"	1	5 French Franc (5FF) Coin Acceptor Lower Assembly ONLY
	"	1	10 Danish Krona (10KR) Coin Acceptor Lower Assembly ONLY
	"	1	1 Dutch Guilder (1G) Coin Acceptor Lower Assembly ONLY
5	125710	1	25¢ Canadian Coin Acceptor Lower Assembly ONLY
	"	1	20 English Pence (20P) Coin Acceptor Lower Assembly ONLY
	"	1	5 Belgian Franc (5BF) Coin Acceptor Lower Assembly ONLY
	125717	1	2 French Franc (2FF) Coin Acceptor Lower Assembly ONLY
	"	1	5 Danish Krona (5KR) Coin Acceptor Lower Assembly ONLY
	125710	1	25¢ Dutch Guilder Coin Acceptor Lower Assembly ONLY
6	152016	4	#4-40 Hex Nut
7	150020	2	#4-40 x 5/16" Slotted Pan Head Machine Screw
8	137056	2	Optical Switch ONLY
9	137049	2	Optical Switch Mounting Bracket
10	150020	2	#4-40 x 5/16" Slotted Pan Head Machine Screw
11	150020	2	#4-40 x 5/16" Slotted Pan Head Machine Screw
12	125716	1	\$1 Canadian Coin Acceptor Upper Assembly Complete (includes illus. nos. 12 and 14 through 17)
	"	1	50 English Pence (50P) Coin Acceptor Upper Assembly Complete (includes illus. nos. 12 and 14 through 17)
	"	1	1 English Pound (1£) Coin Acceptor Upper Assembly Complete (includes illus. nos. 12 and 14 through 17)
	"	1	20 Belgian Franc (20BF) Coin Acceptor Upper Assembly Complete (includes illus. nos. 12 and 14 through 17)
	"	1	5 French Franc (5FF) Coin Acceptor Upper Assembly Complete (includes illus. nos. 12 and 14 through 17)
	"	1	10 Danish Krona (10KR) Coin Acceptor Upper Assembly Complete (includes illus. nos. 12 and 14 through 17)
	"	1	1 Dutch Guilder (1G) Coin Acceptor Upper Assembly Complete (includes illus. nos. 12 and 14 through 17)
13	125715	1	25¢ Canadian Coin Acceptor Upper Assembly Complete (includes illus. nos. 13 through 17)
	"	1	20 English Pence (20P) Coin Acceptor Upper Assembly Complete (includes illus. nos. 13 through 17)
	"	1	5 Belgian Franc (5BF) Coin Acceptor Upper Assembly Complete (includes illus. nos. 13 through 17)
	125716	1	2 French Franc (2FF) Coin Acceptor Upper Assembly Complete (includes illus. nos. 13 through 17)
	"	1	5 Danish Krona (5KR) Coin Acceptor Upper Assembly Complete (includes illus. nos. 13 through 17)
	125715	1	25¢ Dutch Guilder Coin Acceptor Upper Assembly Complete (includes illus. nos. 13 through 17)
14	125706	2	3/16" Coin Acceptor Retainer Ring ONLY
15	125704	2	Coin Acceptor Spring ONLY
16	125705	4	Coin Acceptor Spacer ONLY
17	125703	2	Coin Acceptor Rod ONLY

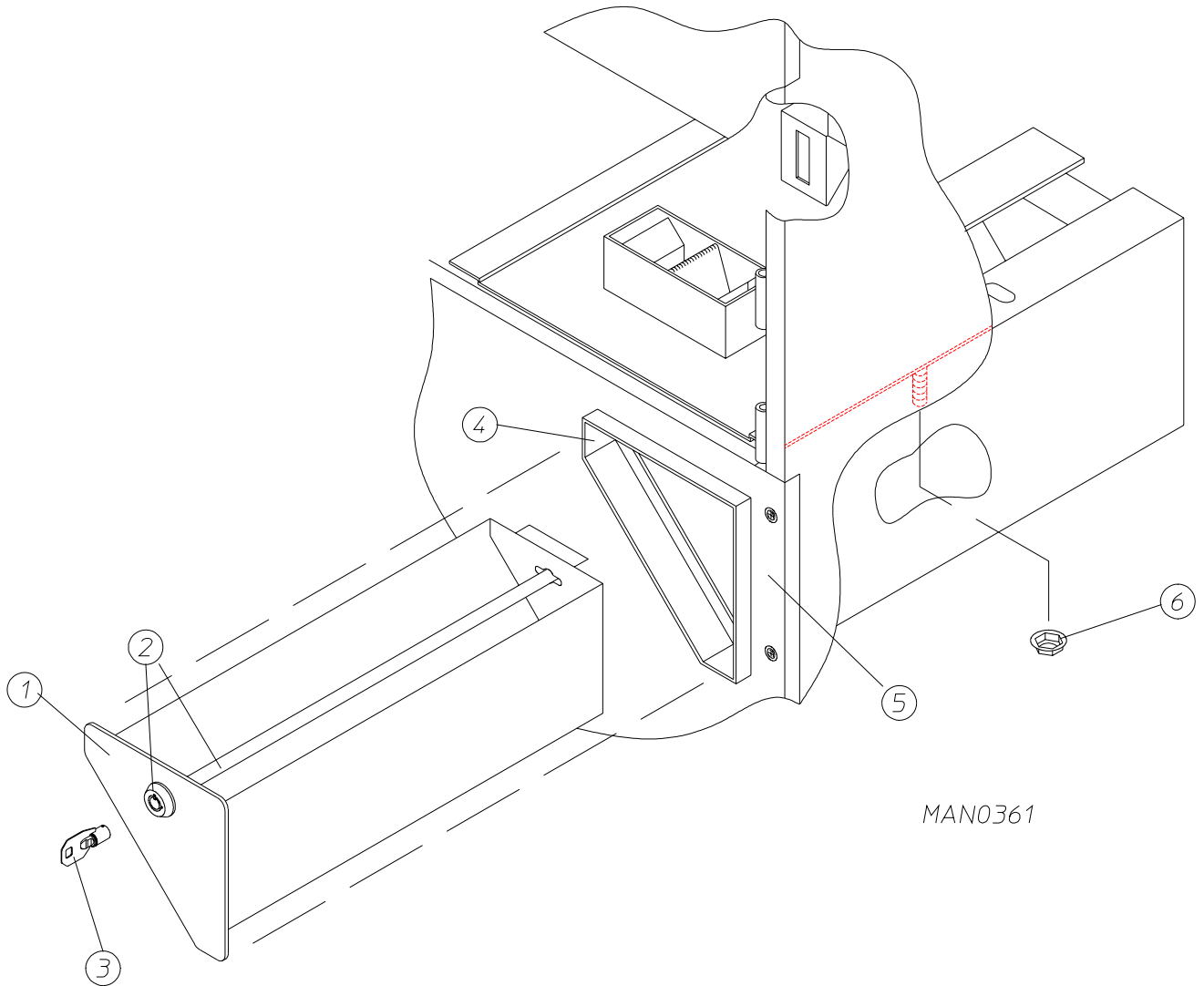
AD-330 / AD-320 Non-Coin, DMC Control Panel Assembly

For Non-Coin Models ONLY



Illus. No.	Part No.	Qty.	Description
1	112556	1	AD-330 / AD-320 Single Coin Dual Microprocessor Controller Twin-Keypad Label Assembly ONLY
2*	800049	1	AD-330 / AD-320 Non-Coin Dual Microprocessor Controller Control Panel Assembly Complete (includes illus. nos. 1 through 4)
	800055	1	AD-330 / AD-320 Non-Coin Dual Microprocessor Controller Control Panel Assembly Complete with Battery Option (includes illus. nos. 1 through 4)
	850437	1	AD-330 / AD-320 Dual Microprocessor Controller Control Panel ONLY
3	137162	1	AD-330 / AD-320 Dual Microprocessor Controller ONLY
	137163	1	AD-330 / AD-320 Dual Microprocessor Controller ONLY with Battery Clip
4	152001	4	#8-32 Hex Nut
5	150301	1	#8-18 x 7/16" Phillips Pan Head TEK Screw

* Contact factory for export models.



MAN0361

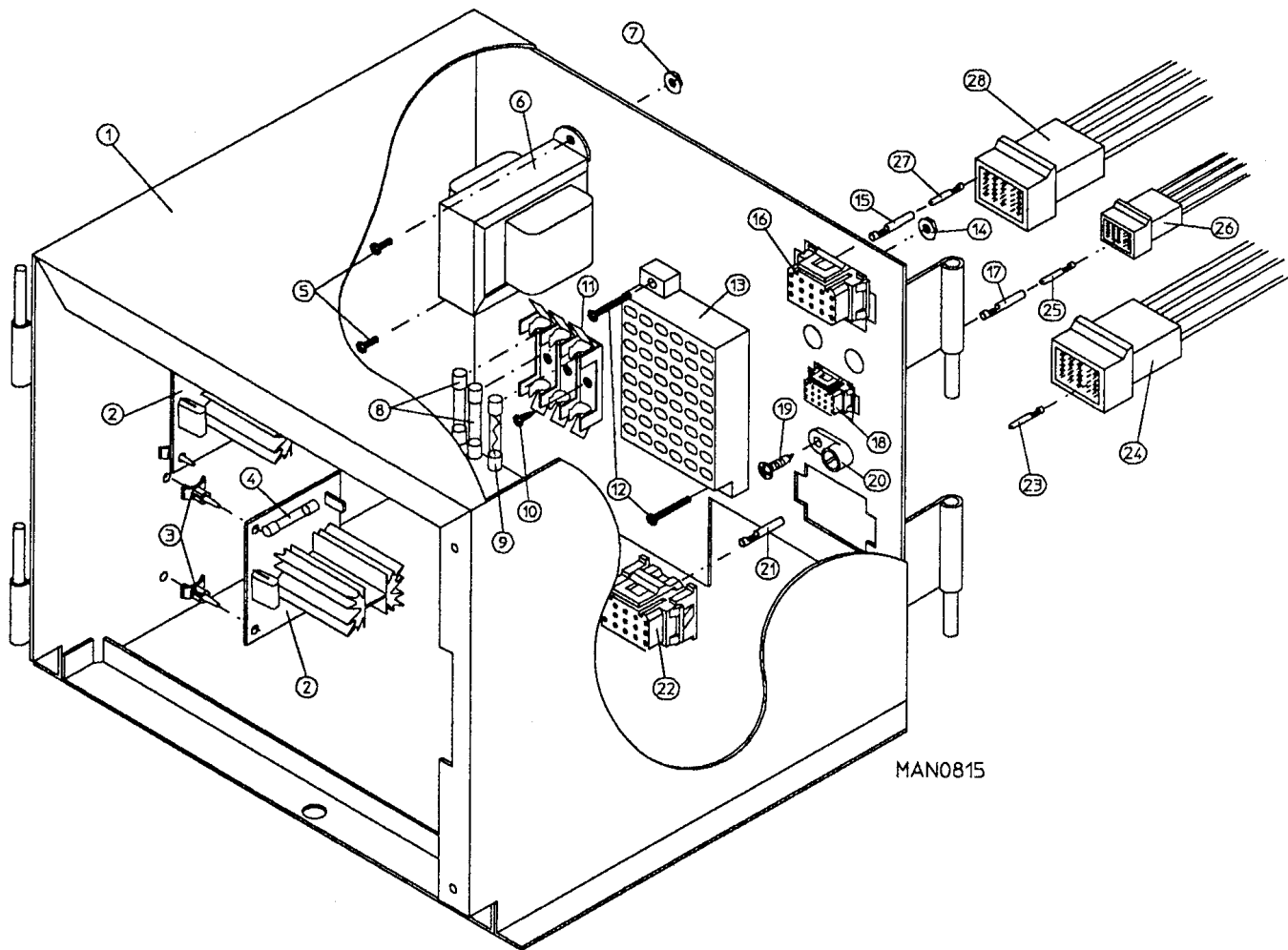
<u>Illus. No.</u>	<u>Part No.</u>	<u>Qty.</u>	<u>Description</u>
1*	880118	1	AD-330 / AD-320 Coin Box Assembly ONLY Less Lock
2	160036**	1	ACE® Lock Assembly with Key
3	160136**	1	ACE® Key ONLY
4*	880117	1	AD-330 / AD-320 Coin Vault Assembly ONLY Less Lock (includes illus. nos. 1, 4, and 6)
5	800690*	1	Lower Front Panel (refer to AD-330 / AD-320 Lower Front Panel Assembly on page 33)
	800687	1	Lower Front Panel (refer to AD-330 / AD-320 Lower Front Panel Assembly on page 33)
	880115*	1	Lower Front Panel (refer to AD-330 Lower Front Panel Assembly on page 35)
6	152014	4	1/4-20 Free Spin Wash Nut

* Specify color when ordering.

** Specify key number when ordering.

AD-330 / AD-320 DMC Control Box Assembly

For 115 Volt (1Ø) Application ONLY
For Models Mfd. as of May 28, 1991



AD-330 / AD-320 DMC Control Box Assembly

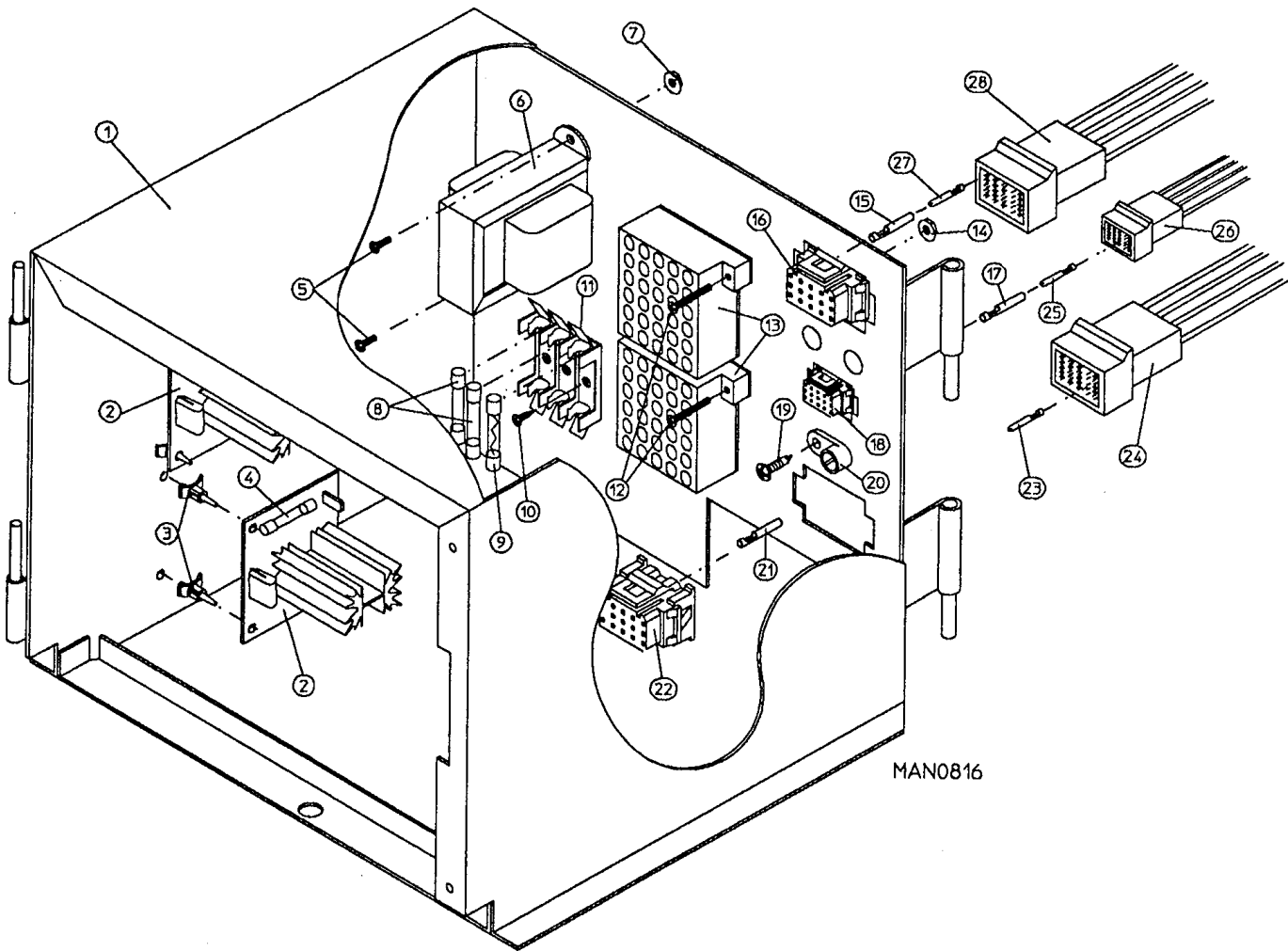
For 115 Volt (1Ø) Application ONLY
For Models Mfd. as of May 28, 1991

<u>Illus. No.</u>	<u>Part No.</u>	<u>Qty.</u>	<u>Description</u>
1	800190	1	AD-330 / AD-320 Dual Microprocessor Controller Control Box Assembly Complete (includes illus. nos. 1 through 21)
2	137152	2	Solid State Relay Board, 1 hp Motor, 125-250V / 24VAC Control
3	137013	8	Nylon Standoff
4	136058	2	25-Amp (Slo-Blo) Fuse ONLY
5	150100	2	#8-32 x 1/2" Round Head Machine Screw
6	141403	1	Direct Spark Ignition 24VAC Transformer
7	151001	2	#8-32 Pal Nut
8*	136015	2	2-Amp (very fast acting) Fuse ONLY
9*	136057	1	1/2-Amp (Slo-Blo) Fuse ONLY
10	150301	2	#8-18 x 7/16" Phillips Pan Head TEK Screw
11	136008	1	3-Position Fuse Block ONLY
12	150002	2	#6-32 x 1" Round Head Machine Screw
13	120717	1	48-Position Terminal Block
14	151000	2	#6-32 Pal Nut
15	122705	13	Socket Terminal ONLY
16	122626	1	15-Pin Socket Connector ONLY
17	122705	6	Socket Terminal ONLY
18	122631	1	6-Pin Socket Connector ONLY
19	150415	1	#10-16 x 1/2" Phillips Round Head Crimpite Screw
20	121010	1	L-70 (ground) Lug
21	122705	13	Socket Terminal ONLY
22	122626	1	15-Pin Socket Connector ONLY
23	122704	13	Pin Terminal ONLY
24	122625	1	15-Pin Connector ONLY
	137025	1	6/15 Position Strain Relief ... Not Illustrated
25	122704	6	Pin Terminal ONLY
26	122630	1	6-Pin Connector ONLY
	137025	1	6/15 Position Strain Relief ... Not Illustrated
27	122704	13	Pin Terminal ONLY
28	122625	1	15-Pin Connector ONLY
	137025	1	6/15 Position Strain Relief ... Not Illustrated
—	122801	1	Pin / Socket Extraction Tool
—	122800	1	Microprocessor (female) Pin Extraction Tool

* Check fuse rating for verification.

AD-330 / AD-320 DMC Control Box Assembly

For 208 / 230 Volt (1Ø) Application ONLY
For Models Mfd. as of May 28, 1991



AD-330 / AD-320 DMC Control Box Assembly

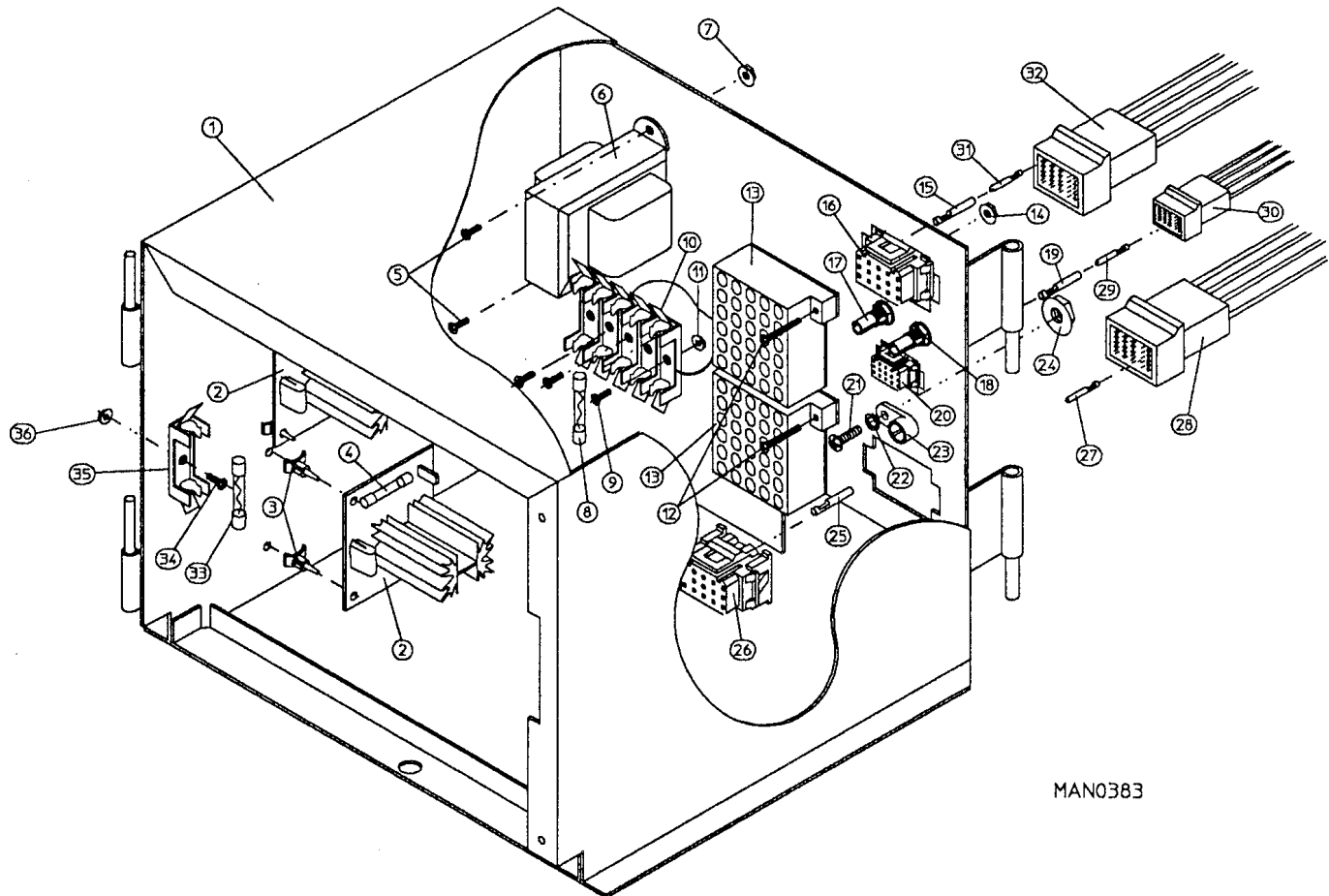
For 208 / 230 Volt (1Ø) Application ONLY
For Models Mfd. as of May 28, 1991

<u>Illus. No.</u>	<u>Part No.</u>	<u>Qty.</u>	<u>Description</u>
1	800155	1	AD-330 / AD-320 Dual Microprocessor Controller Control Box Assembly Complete for 208VAC ONLY (includes illus. nos. 1 through 22)
	800156	1	AD-330 / AD-320 Dual Microprocessor Controller Control Box Assembly Complete for 230VAC ONLY (includes illus. nos. 1 through 22)
2	137152	2	Solid State Relay Board, 1 hp Motor, 125-250V / 24VAC Control
3	137013	8	Nylon Standoff
4	136054	2	15-Amp (Slo-Blo) Fuse ONLY for 208VAC ONLY
	136059	2	12-Amp (Slo-Blo) Fuse ONLY for 230VAC ONLY
5	150100	2	#8-32 x 1/2" Round Head Machine Screw
6	141403	1	Direct Spark Ignition 24VAC Transformer
7	151001	2	#8-32 Pal Nut
8*	136015	2	2-Amp (very fast acting) Fuse ONLY
9*	136057	2	1/2-Amp (Slo-Blo) Fuse ONLY
10	150301	2	#8-18 x 7/16" Phillips Pan Head TEK Screw
11	136009	1	4-Position Fuse Block ONLY
12	150002	4	#6-32 x 1" Round Head Machine Screw
13	120715	2	30-Position Terminal Block
14	151000	4	#6-32 Pal Nut
15	122705	13	Socket Terminal ONLY
16	122626	1	15-Pin Socket Connector ONLY
17	122705	6	Socket Terminal ONLY
18	122631	1	6-Pin Socket Connector ONLY
19	150415	1	#10-16 x 1/2" Phillips Round Head Crimptite Screw
20	121010	1	L-70 (ground) Lug
21	122705	13	Socket Terminal ONLY
22	122626	1	15-Pin Socket Connector ONLY
23	122704	13	Pin Terminal ONLY
24	122625	1	15-Pin Connector ONLY
	137025	1	6/15 Position Strain Relief ... Not Illustrated
25	122704	6	Pin Terminal ONLY
26	122630	1	6-Pin Connector ONLY
	137025	1	6/15 Position Strain Relief ... Not Illustrated
27	122704	13	Pin Terminal ONLY
28	122625	1	15-Pin Connector ONLY
	137025	1	6/15 Position Strain Relief ... Not Illustrated
—	122801	1	Pin / Socket Extraction Tool
—	122800	1	Microprocessor (female) Pin Extraction Tool

* Check fuse rating for verification.

AD-330 / AD-320 DMC Control Box Assembly

For Models Mfd. prior to May 28, 1991



AD-330 / AD-320 DMC Control Box Assembly

For Models Mfd. prior to May 28, 1991

<u>Illus. No.</u>	<u>Part No.</u>	<u>Qty.</u>	<u>Description</u>
1	800190	1	AD-330 / AD-320 Dual Microprocessor Controller Control Box Assembly Complete for 115VAC ONLY (includes illus. nos. 1 through 26)
	800155	1	AD-330 / AD-320 Dual Microprocessor Controller Control Box Assembly Complete for 208VAC ONLY (includes illus. nos. 1 through 26 and 33 through 36)
	800156	1	AD-330 / AD-320 Dual Microprocessor Controller Control Box Assembly Complete for 230VAC ONLY (includes illus. nos. 1 through 26 and 33 through 36)
2	137152	2	Solid State Relay Board, 1 hp Motor, 125-250V / 24VAC Control
3	137013	8	Nylon Standoff
4	136058	2	25-Amp (Slo-Blo) Fuse ONLY for 115VAC ONLY
	136054	2	15-Amp (Slo-Blo) Fuse ONLY for 208VAC ONLY
	136059	2	12-Amp (Slo-Blo) Fuse ONLY for 230VAC ONLY
5	150100	2	#8-32 x 1/2" Round Head Machine Screw
6	141403	1	Direct Spark Ignition 24VAC Transformer
7	151001	2	#8-32 Pal Nut
8*	136057	1	1/2-Amp (Slo-Blo) Fuse ONLY
	136049	4	3/4-Amp (Slo-Blo) Fuse ONLY
9	150100	3	#8-32 x 1/2" Round Head Machine Screw
10	136009	1	5-Position Fuse Block ONLY
11	151001	3	#6-32 Pal Nut
12	150002	4	#6-32 x 1" Round Head Machine Screw
13	120715	2	30-Position Terminal Block (for models mfd. prior to May 28, 1991)
14	151000	4	#6-32 Pal Nut
15	122705	13	Socket Terminal ONLY
16	122626	1	15-Pin Socket Connector ONLY
17	122729	1	Transmit (gray) Connector – installed on models mfd. prior to September 1, 1990
18	122728	1	Receiver (blue) Connector – installed on models mfd. prior to September 1, 1990
19	122705	6	Socket Terminal ONLY
20	122631	1	6-Pin Socket Connector ONLY
21	150111	1	1/4-20 x 1/2" Round Head Machine Screw
22	153021	1	1/4" Lock Washer
23	121010	1	L-70 (ground) Lug
24	152002	1	1/4-20 Free Spin Wash Nut
25	122705	13	Socket Terminal ONLY
26	122626	1	15-Pin Socket Connector ONLY
27	122704	13	Pin Terminal ONLY
28	122625	1	15-Pin Connector ONLY
	137025	1	6/15 Position Strain Relief ... Not Illustrated
29	122704	6	Pin Terminal ONLY
30	122630	1	6-Pin Connector ONLY
	137025	1	6/15 Position Strain Relief ... Not Illustrated
31	122704	13	Pin Terminal ONLY
32	122625	1	15-Pin Connector ONLY
	137025	1	6/15 Position Strain Relief ... Not Illustrated
—	122801	1	Pin / Socket Extraction Tool
—	122800	1	Microprocessor (female) Pin Extraction Tool
33*	136057**	1	1/2-Amp (Slo-Blo) Fuse ONLY
34	150100**	1	#8-32 x 1/2" Round Head Machine Screw
35	136008**	1	Fuse Block / Strip ONLY
36	151001**	1	#8-32 Pal Nut

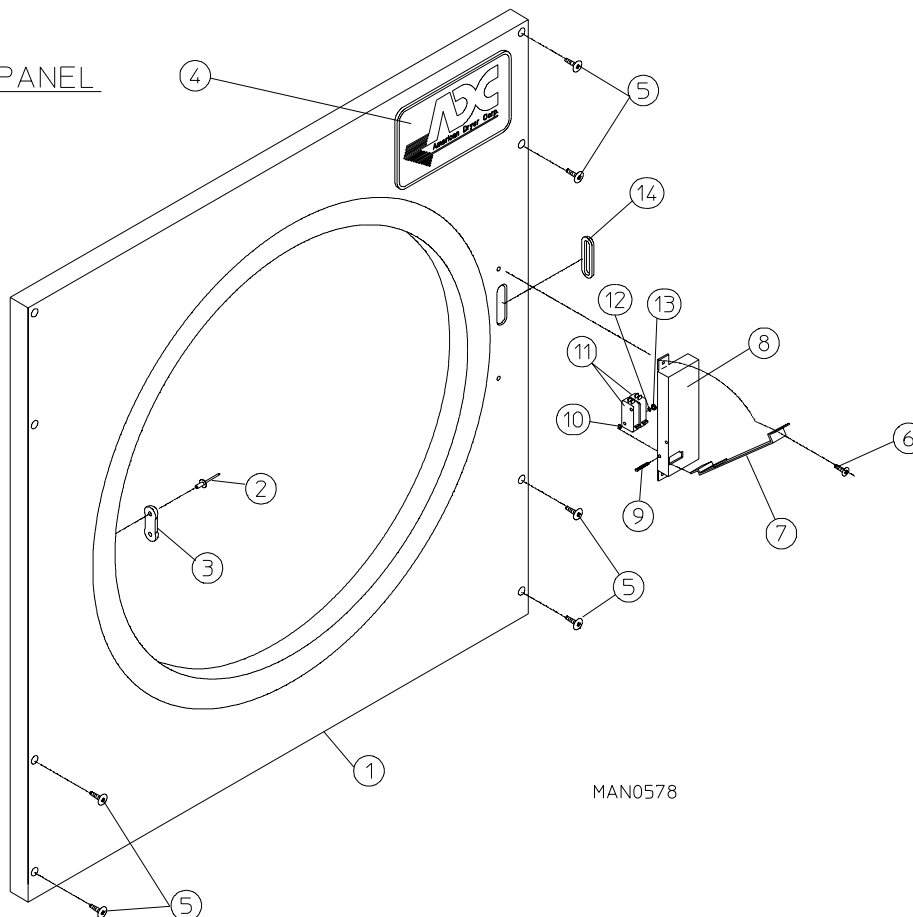
* Check fuse rating for verification.

** Used on 208 / 230VAC models only.

AD-330 / AD-320 Upper Front Panel Assembly

Latch-Type

UPPER FRONT PANEL



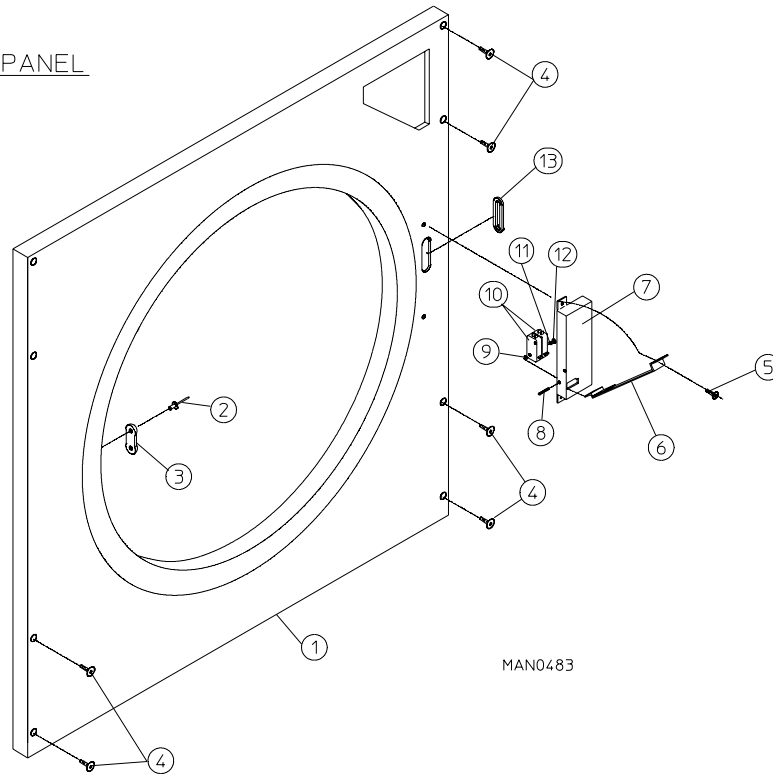
Illus. No.	Part No.	Qty.	Description
1*	800685**	1	AD-330 / AD-320 Upper Front Panel Assembly (latch-type) Complete with Hinge (includes illus. nos. 1 through 3 and 14)
	800686	1	AD-330 / AD-320 Stainless Steel Upper Front Panel Assembly (latch-type) Complete with Hinge (includes illus. nos. 1 through 3 and 14)
2	154215	2	1/8" Pop Rivet
3	170330	1	Friction Door Latch
4	112350	1	ADC Logo ONLY
	870011	-	Logo Double Tape Kit
5	150415	8	#10-16 x 1/2" Phillips Round Head Screw
6	150205	2	#10-32 x 1/4" Fillister Head Screw
7	313215	1	Door Switch Actuator Arm
8	800445***	1	N.S. Series Microprocessor Door Switch Assembly Complete (includes illus. nos. 7 through 13)
	313217	1	Door Switch Housing ONLY
9	150025	2	#4-40 x 1" Pan Head Machine Screw
10	153045	2	#4 Lock Washer
11	137004	2	N.S. Series Main Door Switch
12	153045	2	#4 Lock Washer
13	152016	2	#4-40 Hex Nut
14	121405	1	Rubber Grommet

* For AD-330 models mfd. as of February 1, 1991.

** Specify color when ordering.

*** For AD-330 models mfd. as of November 21, 1990.

LOWER FRONT PANEL



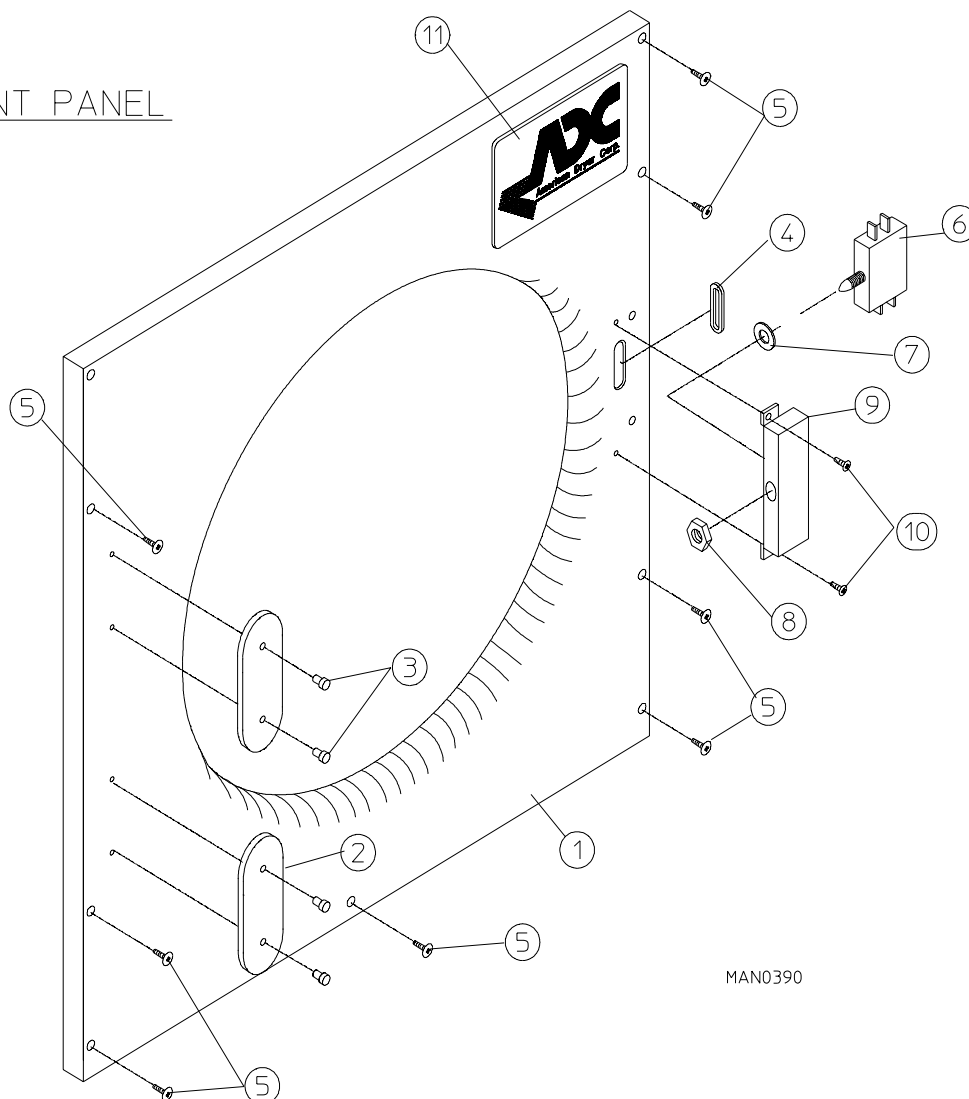
Illus. No.	Part No.	Qty.	Description
1*	800690**	1	AD-330 / AD-320 Lower Front Panel Assembly (latch-type) Complete with Hinge for Coin Models ONLY (includes illus. nos. 1 through 3 and 13)
	800687	1	AD-330 / AD-320 Stainless Steel Lower Front Panel Assembly (latch-type) Complete with Hinge for Coin Models ONLY (includes illus. nos. 1 through 3 and 13)
	800685**	1	AD-330 / AD-320 Lower Front Panel Assembly (latch-type) Complete with Hinge for Non-Coin Models ONLY (includes illus. nos. 1 through 3 and 13)
	800686	1	AD-330 / AD-320 Stainless Steel Lower Front Panel Assembly (latch-type) Complete with Hinge for Non-Coin Models ONLY (includes illus. nos. 1 through 3 and 13)
2	154215	2	1/8" Pop Rivet
3	170330	1	Friction Door Latch
4	150415	8	#10-16 x 1/2" Phillips Round Head Screw
5	150205	2	#10-32 x 1/4" Fillister Head Screw
6	313215	1	Door Switch Actuator Arm
7	800445***	1	N.S. Series Microprocessor Door Switch Assembly Complete (includes illus. nos. 7 through 12)
	313217	1	Door Switch Housing ONLY
8	150025	2	#4-40 x 1" Pan Head Machine Screw
9	153045	2	#4 Lock Washer
10	137004	2	N.S. Series Main Door Switch
11	153045	2	#4 Lock Washer
12	152016	2	#4-40 Hex Nut
13	121405	1	Rubber Grommet

* For AD-330 models mfd. as of February 1, 1991.
 ** Specify color when ordering.
 *** For AD-330 models mfd. prior to November 21, 1991.

AD-330 / AD-320 Upper Front Panel Assembly

Magnet Type

UPPER FRONT PANEL



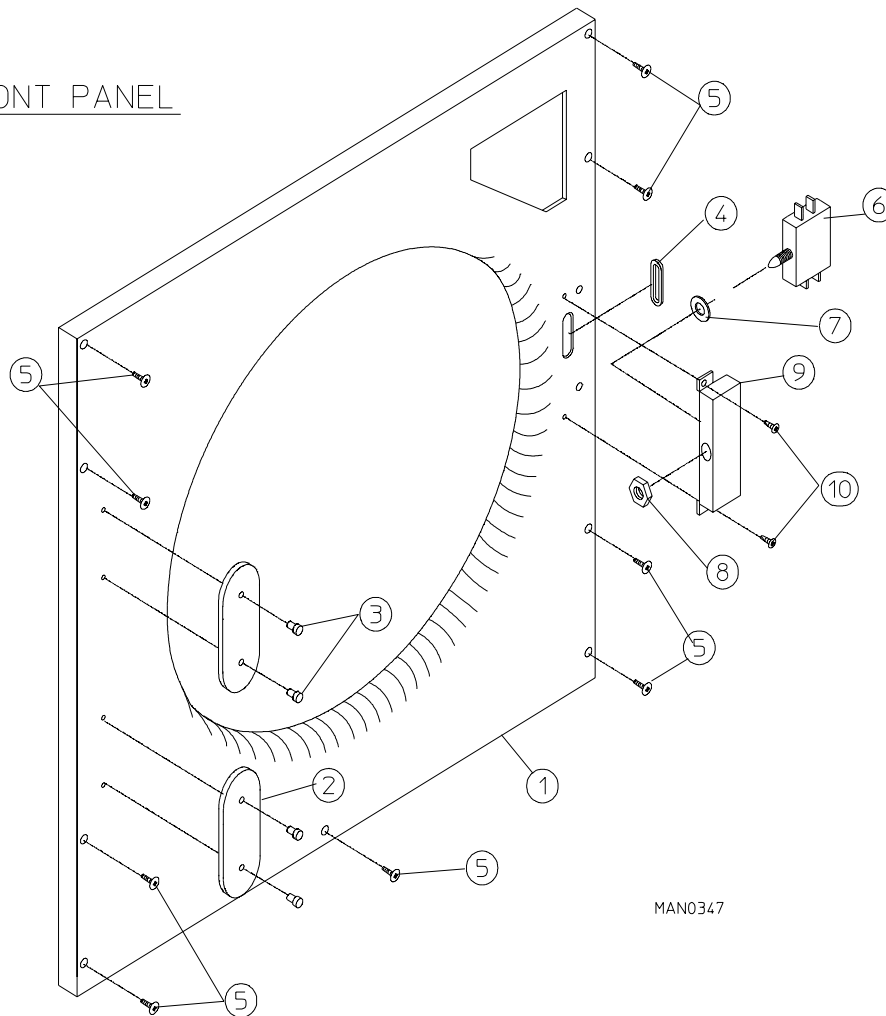
MAN0390

Illus. No.	Part No.	Qty.	Description
1*	880114**	1	AD-330 / AD-320 Upper Front Panel Assembly (magnet-type) Complete (includes illus. nos. 1 through 4)
2	170340	2	3-1/2" Stainless Steel Striker Pad
3	154200	4	5/32" Pop Rivet
4	121405	1	Rubber Grommet
5	150415	9	#10-16 x 1/2" Phillips Round Head Screw
6	137003	1	Door Switch ONLY (includes illus. nos. 6 through 8)
7	401551	1	Door Switch Spacer / Washer
8	152003	1	3/8-32 x 1/2" x 1/16" Door Switch Nut
9	870010	1	Door Switch Assembly Complete (includes illus. nos. 6 through 9)
	313209	1	Door Switch Housing ONLY
10	150201	2	#10-32 x 1/4" Round Head Machine Screw
11	112350	1	ADC Logo ONLY
—	870011	—	Logo Double Tape Kit

* For AD-330 models mfd. prior to February 1, 1991.

** Specify color when ordering.

LOWER FRONT PANEL



MAN0347

Illus. No.	Part No.	Qty.	Description
1*	880115**	1	AD-330 / AD-320 Lower Front Panel Assembly (magnet-type) Complete for Coin Models ONLY (includes illus. nos. 1 through 4)
	880114**	1	AD-330 / AD-320 Lower Front Panel Assembly (magnet-type) Complete for Non-Coin Models ONLY (includes illus. nos. 1 through 4)
2	170340	2	3-1/2" Stainless Steel Striker Pad
3	154200	4	5/32" Pop Rivet
4	121405	1	Rubber Grommet
5	150415	9	#10-16 x 1/2" Phillips Round Head Screw
6	137003	1	Door Switch ONLY (includes illus. nos. 6 through 8)
7	401551	1	Door Switch Spacer / Washer
8	152003	1	3/8-32 x 1/2' x 1/16" Door Switch Nut
9	870010	1	Door Switch Assembly Complete (includes illus. nos. 6 through 9)
	313209	1	Door Switch Housing ONLY
10	150201	2	#10-32 x 1/4" Round Head Machine Screw

* For AD-330 models mfd. prior to February 1, 1991.

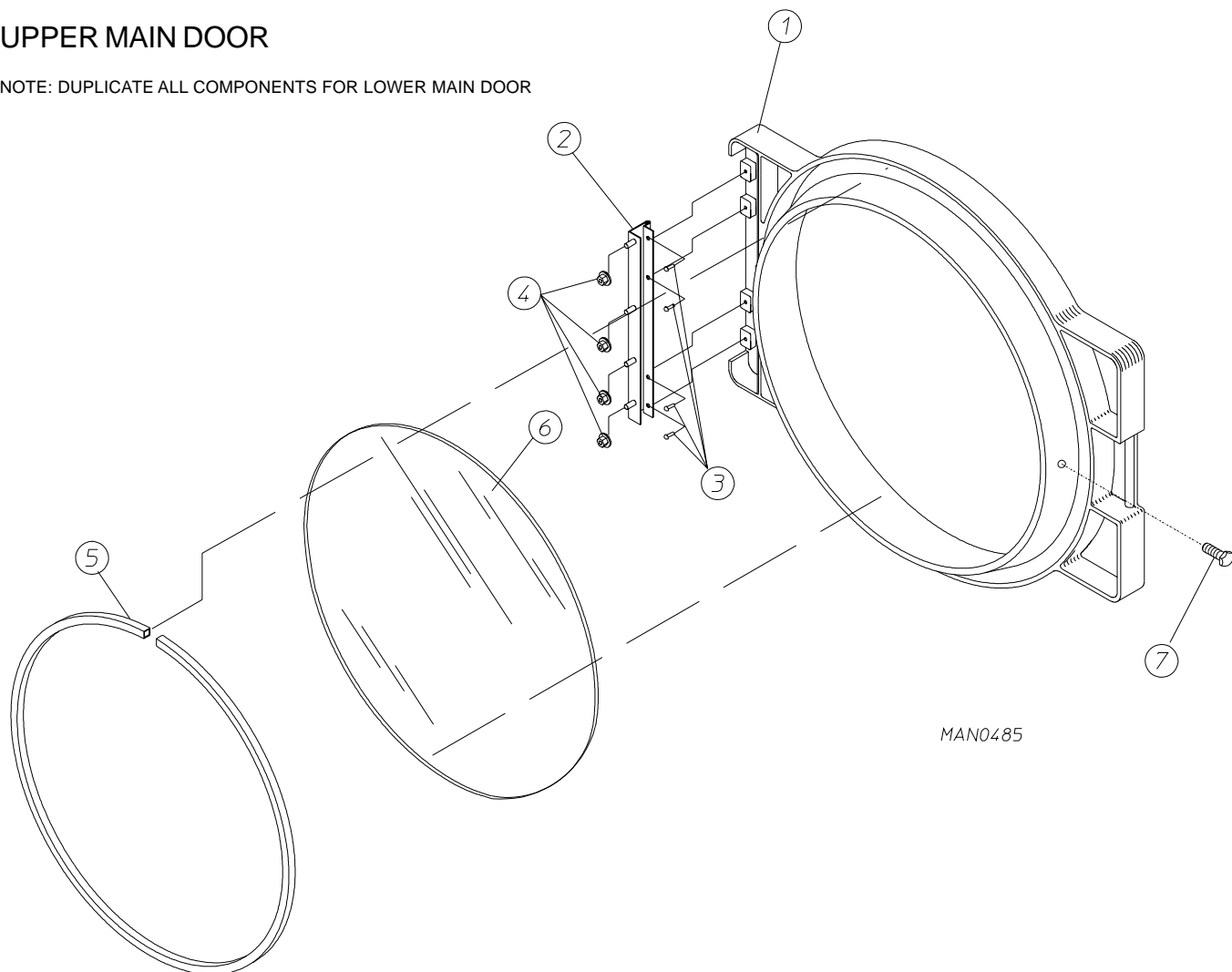
** Specify color when ordering.

AD-330 / AD-320 Main Door Assembly

Latch-Type

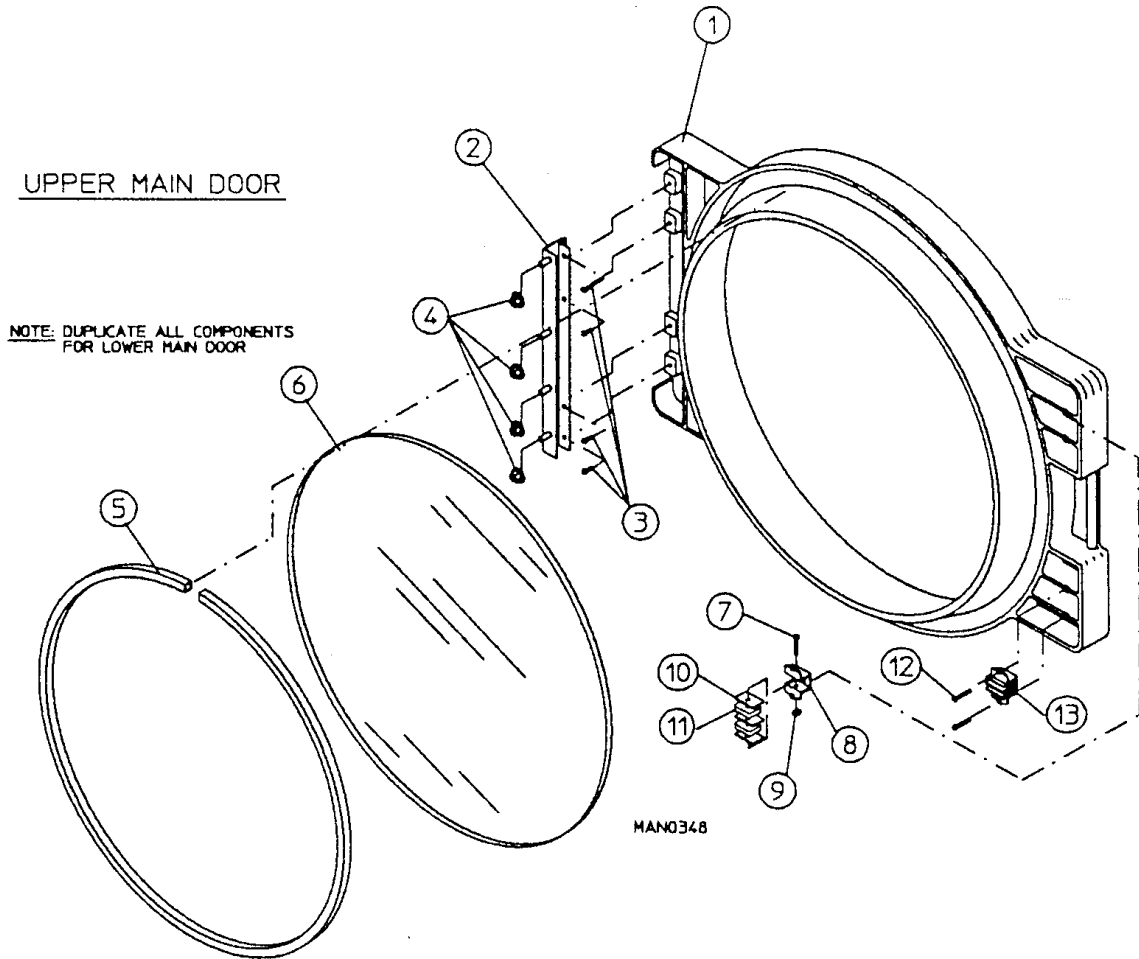
UPPER MAIN DOOR

NOTE: DUPLICATE ALL COMPONENTS FOR LOWER MAIN DOOR



Illus. No.	Part No.	Qty.	Description
1*	800286	1	AD-330 / AD-320 Black Main Door Assembly (latch-type) Complete (includes illus. nos. 1 and 5 through 7)
2	103050	1	12-1/2" Stainless Steel Main Door Hinge
3	150410	4	#10-24 x 3/8" Phillips Pan Head Taptite Screw
4	152014	4	1/4-20 Free Spin Wash Nut
5	102350	1	68-1/2" Main Door Gasket
6	102210	1	20-7/16" Door Glass
	170730	1	Glass Adhesive for Lightweight Main Door Assembly
7	150431	1	Main Door Latch Screw (#10 x 7/16" dome head screw)

* For AD-330 models mfd. as of February 1, 1991.



Illus. No.	Part No.	Qty.	Description
1*	800138	1	AD-330 / AD-320 Black Main Door Assembly (magnet-type) Complete (includes illus. nos. 1 and 5 through 12)
	800149	1	AD-330 / AD-320 Black Main Door Assembly (magnet-type) with Glass, Gasket, and Hinge ONLY (includes illus. nos. 1, 2, 5, and 6)
2	103050	1	12-1/2" Stainless Steel Main Door Hinge
3	150410	4	#10-24 x 3/8" Phillips Pan Head Machine Screw
4	152014	4	1/4-20 Free Spin Wash Nut
5	102350	1	68-1/2" Main Door Gasket
6	102210	1	20-7/16" Door Glass
7	150002	2	#6-32 x 1" Round Head Machine Screw
8	102105	2	Magnet Holder ONLY
9	152013	2	#6-32 Hex Nut
10	306802	6	Magnet Keeper
11	102102	4	Door Magnet (.215)
12	150410	4	#10-24 x 3/8" Phillips Pan Head Taptite Screw
13	800131	2	Cast Aluminum Magnet Holder Assembly Complete (includes illus. nos. 7 through 11)
—	170725	1	Glass Adhesive for Cast Main Door Assembly
—	170730	1	Glass Adhesive for Lightweight Main Door Assembly

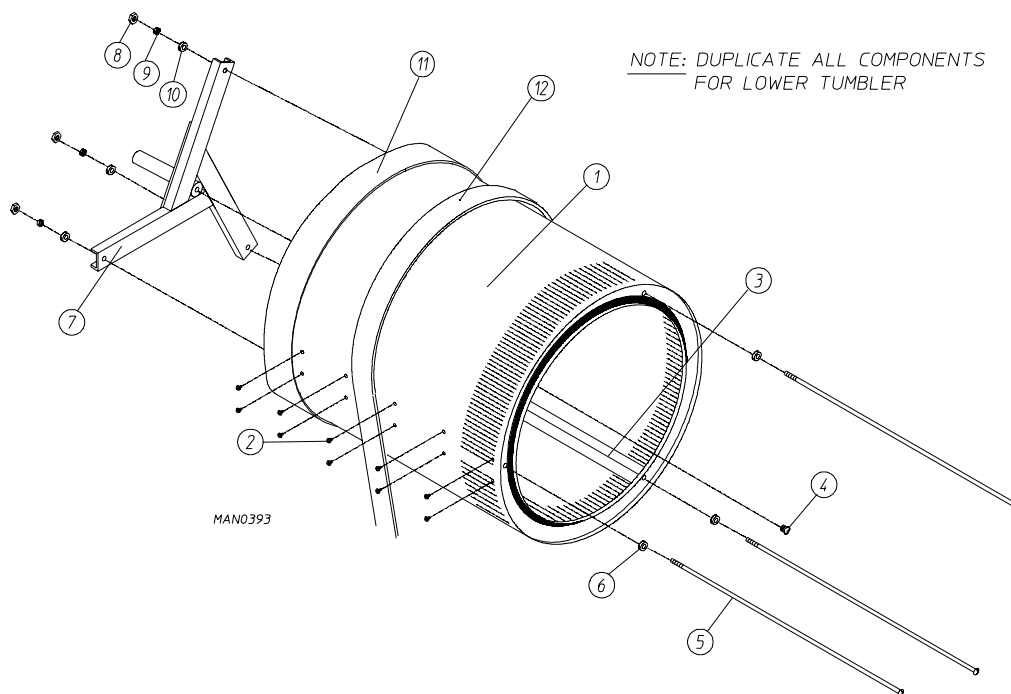
* For models mfd. prior to February 1, 1991.

AD-330 Tumbler / Support Assembly

Tapered Rib

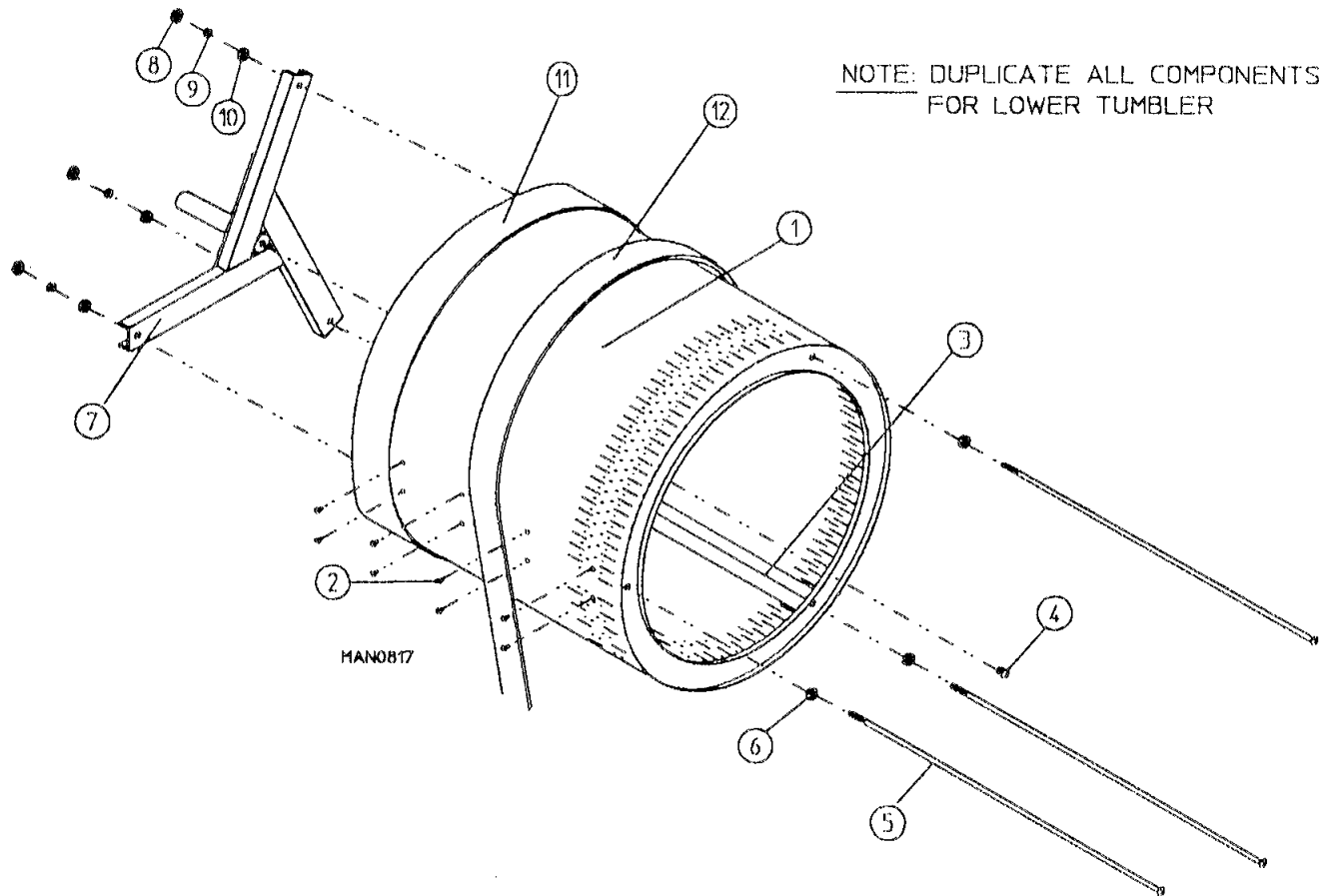
For Models Mfd. as of April 18, 1991

UPPER TUMBLER ASSEMBLY



<u>Illus. No.</u>	<u>Part No.</u>	<u>Qty.</u>	<u>Description</u>
1	800832	1	AD-330 (tapered rib) Basket and Support Assembly Complete with Felt Collar (includes illus. nos. 1 through 11)
	800892	1	AD-330 Stainless Steel (tapered rib) Basket and Support Assembly Complete with Felt Collar (includes illus. nos. 1 through 11)
	800722	1	AD-330 (tapered rib) Basket ONLY without Felt Collar (includes illus. nos. 1 through 3)
	800842	1	AD-330 Stainless Steel (tapered rib) Basket ONLY without Felt Collar (includes illus. nos. 1 through 3)
2	150415	30	#10-16 x 1/2" Phillips Round Head Crimptite Screw
3	301315	2	AD-330 (short – tapered) Basket Rib ONLY
	301316	1	AD-330 (tall – tapered) Basket Rib ONLY
	301414	2	AD-330 Stainless Steel (short – tapered) Basket Rib ONLY
	301415	1	AD-330 Stainless Steel (tall – tapered) Basket Rib ONLY
4	150518	1	5/16-18 x 3/8" Socket Button Head Screw
5	100902	3	5/16-18 x 31" Tie Rod
6	153003	3	3/8" x 1-1/2" Fender Washer
7	850061	1	AD-330 Tumbler Support ONLY
8	152004	3	5/16-18 Hex Nut
9	153002	3	5/16" Lock Washer
10	153001	3	5/16" Flat Washer
11	116003	1	Felt Collar ONLY
	401010	1	#847 Adhesive for Felt Collar
12	100130	1	12-Rib 95" Belt (to tumbler brush assembly and drive motor / idler assemblies) (refer to AD-330 / AD-320 12-Rib 95" [J] Poly Belt Arrangement on page 61)

UPPER TUMBLER



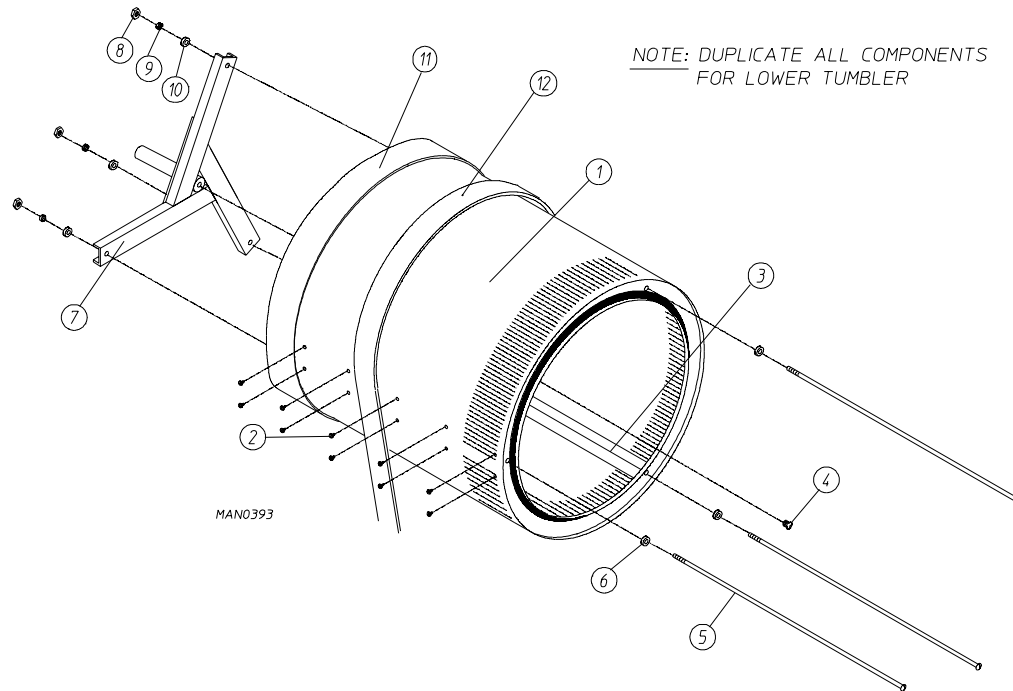
Illus. No.	Part No.	Qty.	Description
1	800835	1	AD-320 (tapered rib) Basket and Support Assembly Complete with Felt Collar (includes illus. nos. 1 through 11)
	800718	1	AD-320 (tapered rib) Basket ONLY without Felt Collar (includes illus. nos. 1 through 3)
2	150415	24	#10-16 x 1/2" Phillips Round Head CrimpTite Screw
3	301318	2	AD-320 (short – tapered) Basket Rib ONLY
	301317	1	AD-320 (tall – tapered) Basket Rib ONLY
4	150518	1	5/16-18 x 3/8" Socket Button Head Screw
5	100902	3	5/16-18 x 31" Tie Rod
6	153003	3	3/8" x 1-1/2" Fender Washer
7	850061	1	AD-320 Tumbler Support ONLY
8	152004	3	5/16-18 Hex Nut
9	153002	3	5/16" Lock Washer
10	153001	3	5/16" Flat Washer
11	115999	1	Felt Collar ONLY
	401010	1	#847 Adhesive for Felt Collar
12	100130	1	12-Rib 95" Belt (to tumbler brush assembly and drive motor / idler assemblies) (refer to AD-330 / AD-320 12-Rib 95" [J] Poly Belt Arrangement on page 61)

AD-330 Tumbler / Support Assembly

Standard Rib

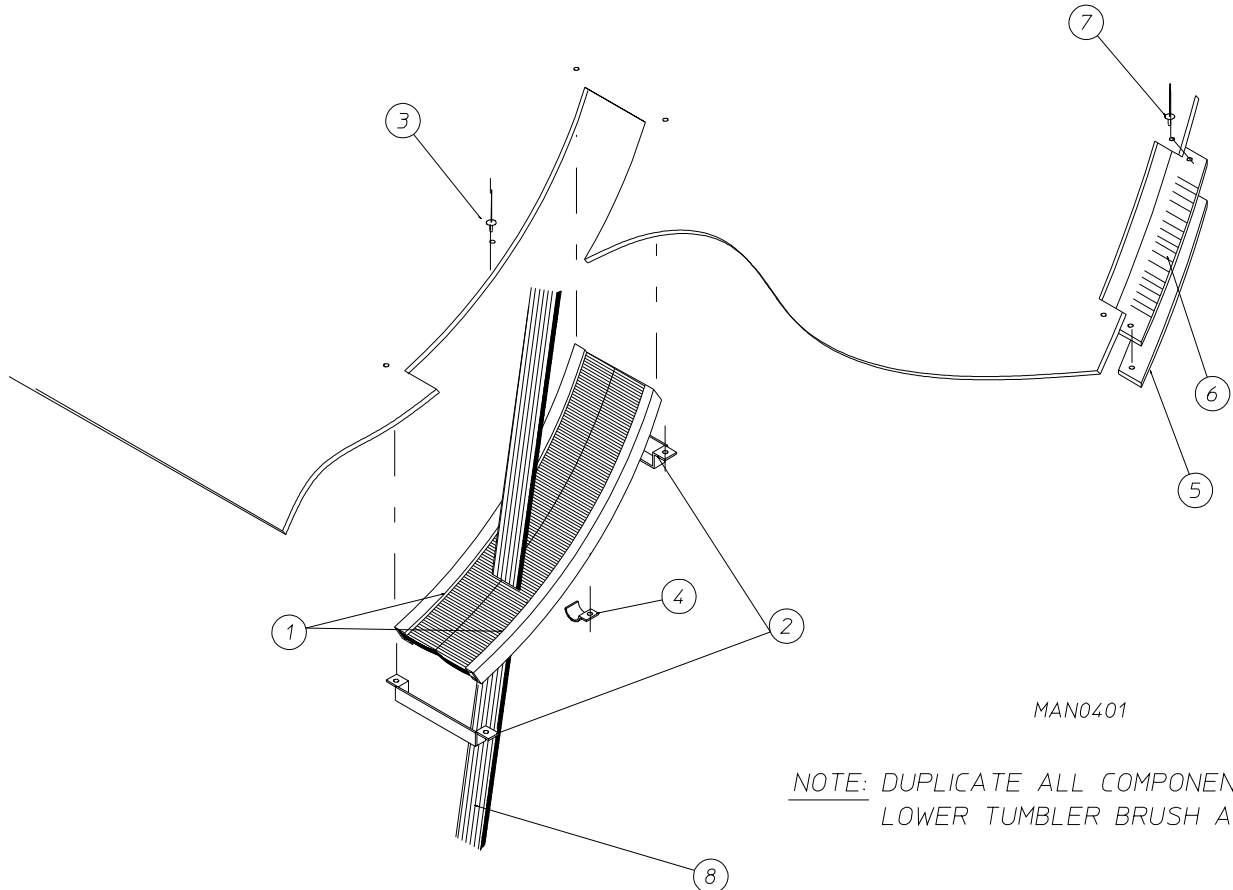
For Models Mfd. prior to April 18, 1991

UPPER TUMBLER ASSEMBLY



<u>Illus. No.</u>	<u>Part No.</u>	<u>Qty.</u>	<u>Description</u>
1	800826	1	AD-330 (standard rib) Basket and Support Assembly Complete with Felt Collar (includes illus. nos. 1 through 11)
	880116	1	AD-330 (standard rib) Basket ONLY with Felt Collar (includes illus. nos. 1 through 3 and 11)
	800849	1	AD-330 Stainless Steel (standard rib) Basket ONLY without Felt Collar (includes illus. nos. 1 through 3)
2	150415	30	#10-16 x 1/2" Phillips Round Head Crimptite Screw
3	301309	3	AD-330 (standard) Basket Rib ONLY
	301409	3	AD-330 Stainless Steel (standard) Basket Rib ONLY
4	150518	1	5/16-18 x 3/8" Socket Button Head Screw
5	100902	3	5/16-18 x 31" Tie Rod
6	153003	3	3/8" x 1-1/2" Fender Washer
7	850061	1	AD-330 Tumbler Support ONLY
8	152004	3	5/16-18 Hex Nut
9	153002	3	5/16" Lock Washer
10	153001	3	5/16" Flat Washer
11	116003	1	Felt Collar ONLY
	401010	1	#847 Adhesive for Felt Collar
12	100130	1	12-Rib 95" Belt (to tumbler brush assembly and drive motor / idler assemblies) (refer to AD-330 / AD-320 12-Rib 95" [J] Poly Belt Arrangement on page 61)

UPPER TUMBLER BRUSH



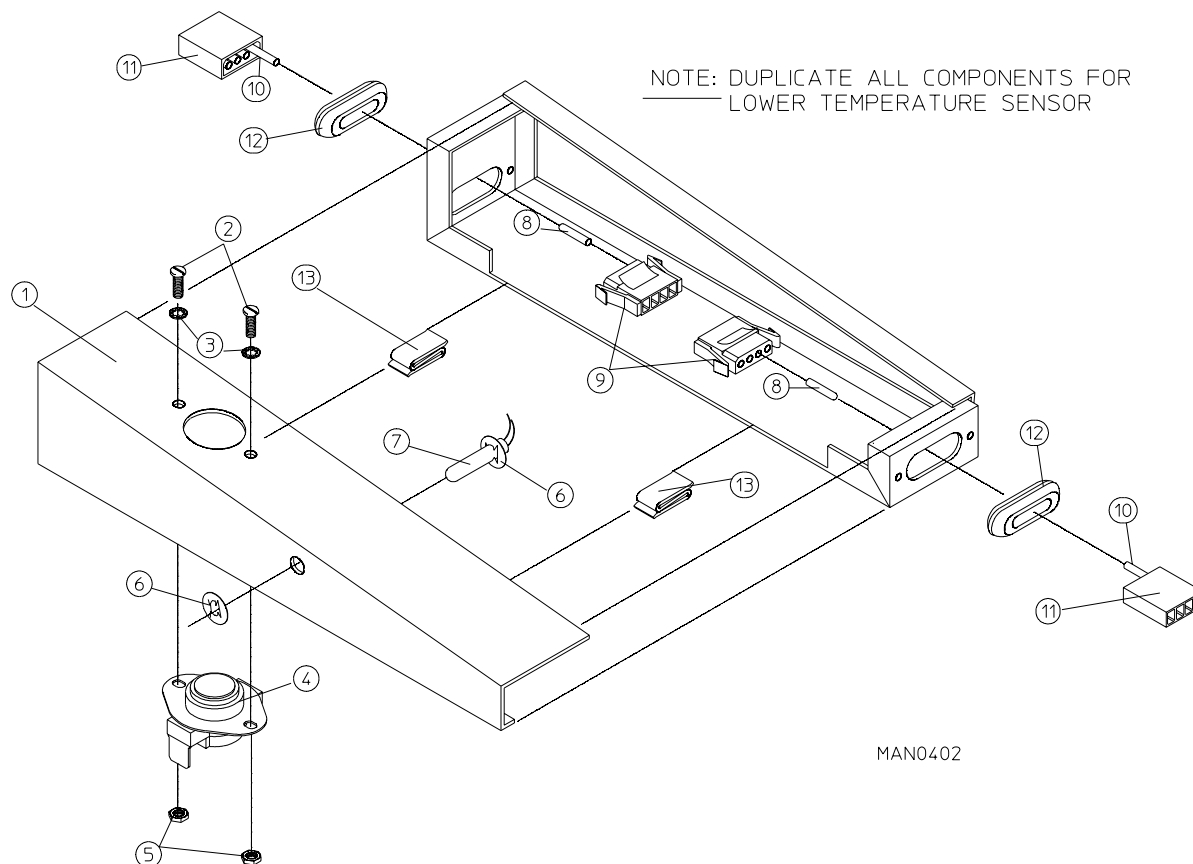
MAN0401

NOTE: DUPLICATE ALL COMPONENTS FOR
LOWER TUMBLER BRUSH ASSEMBLY

<u>Illus. No.</u>	<u>Part No.</u>	<u>Qty.</u>	<u>Description</u>
1	170195	2	AD-330 / AD-320 Drive Belt Sealing Brush
2	317652	2	AD-330 / AD-320 Sealing Brush Clip End
3	154210	6	5/16" x 3/16" Pop Rivet
4	120117	2	3/8" EMT Hanger
5	317651	1	AD-330 / AD-320 Wrapper Gasket Strip
6	102325	1	8-1/2" x 1-1/2" x 1/8" Wrapper Channel Gasket
7	154210	2	5/32" x 3/16" Pop Rivet
8	100130	1	12-Rib 95" Belt (to drive motor / idler assemblies and basket / support assembly) (refer to AD-330 / AD-320 12-Rib 95" [J] Poly Belt Arrangement on page 61)

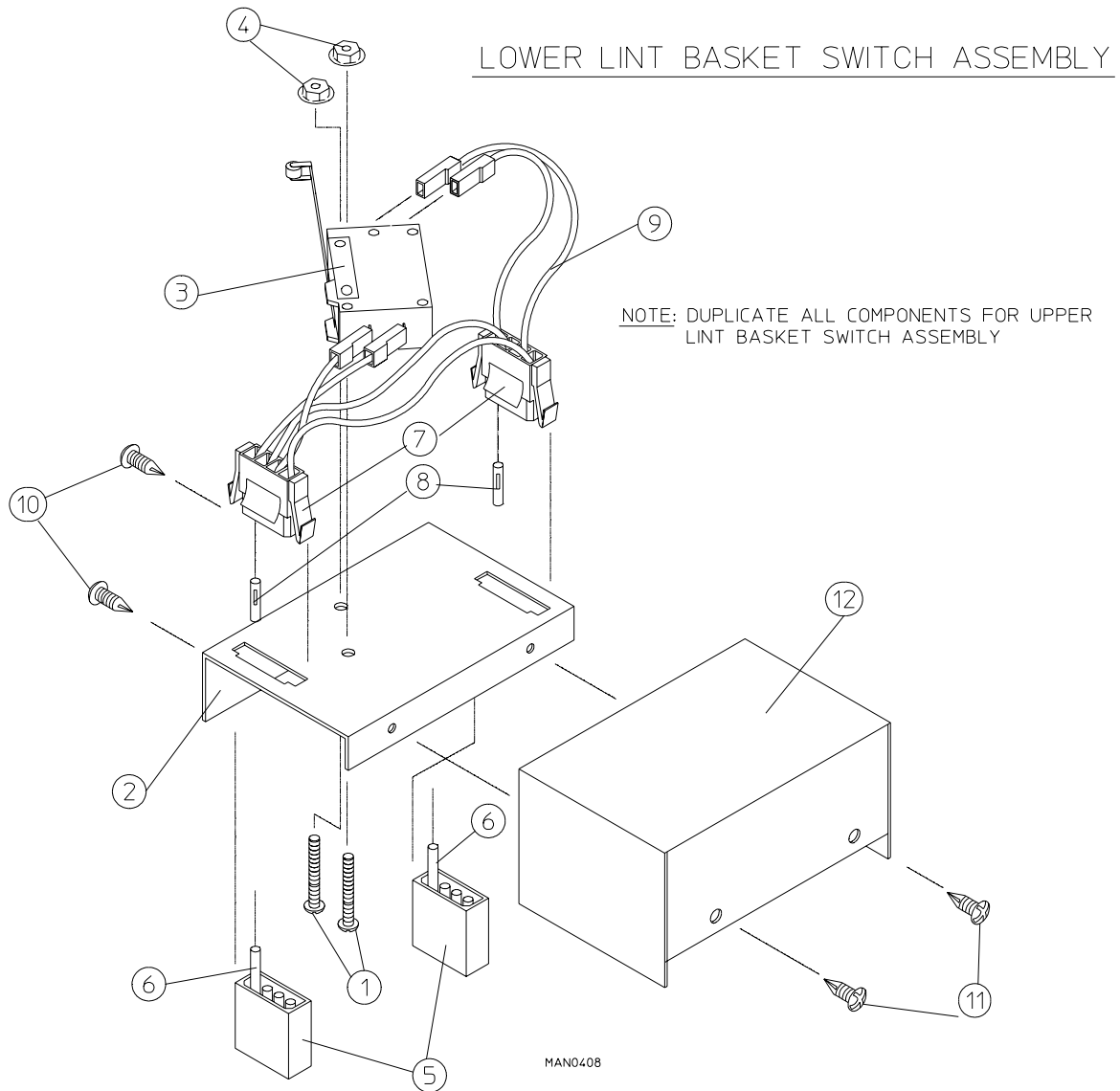
AD-330 / AD-320 Temperature Sensor Bracket Assembly

UPPER TEMPERATURE SENSOR



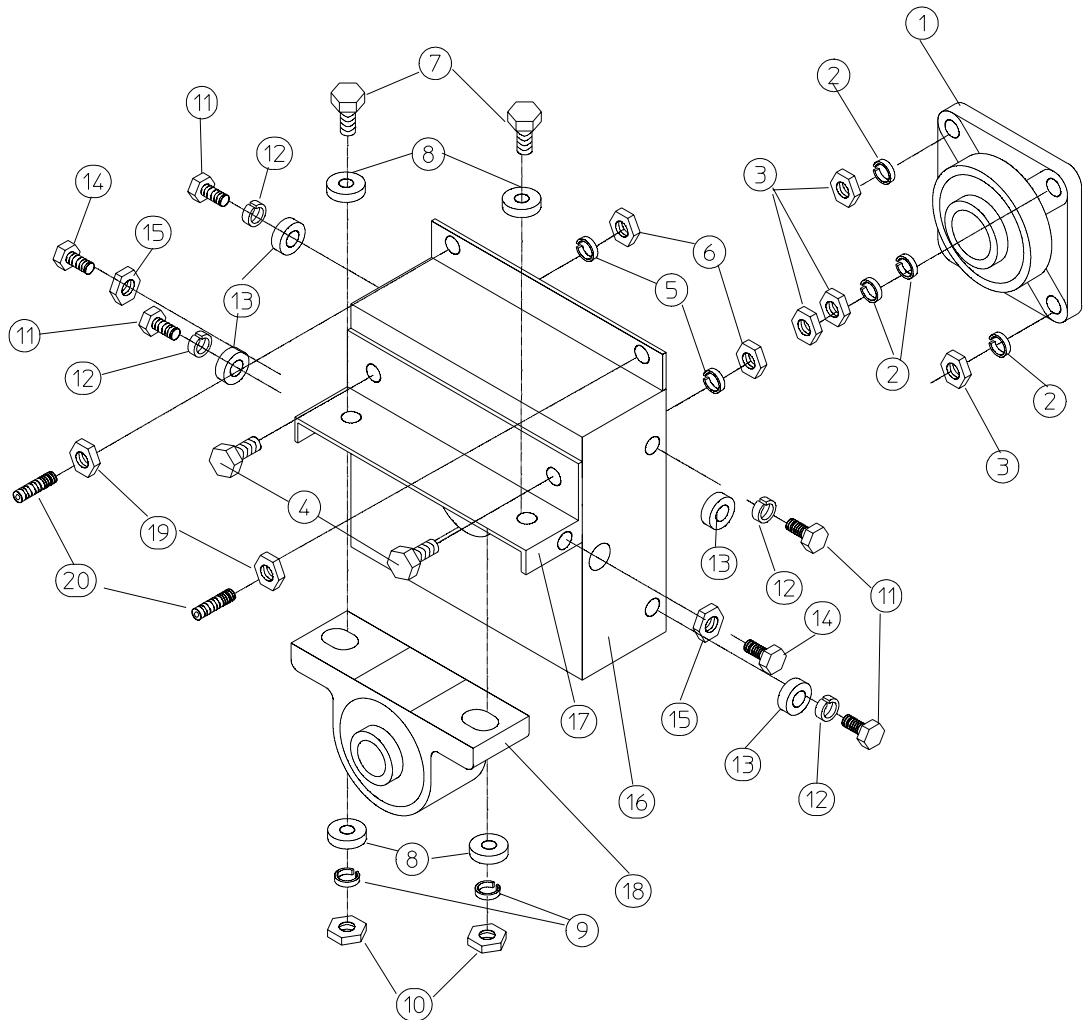
Illus. No.	Part No.	Qty.	Description
1	801409	1	AD-330 / AD-320 Temperature Sensor Bracket Assembly Complete (includes illus. nos. 1 through 9, 12, and 13)
2	150000	2	#6-32 x 1/4" Round Head Machine Screw
3	153010	2	#6 Star Washer
4	130106	1	170° Large Thermostat
5	152013	2	#6-32 Hex Nut
6	154007	2	1/4" Tinnerman Push-On Fastener
7	880111	1	Dual Microprocessor Controller 1/4" Temperature Sensor Probe Assembly (includes illus. nos. 6 through 9)
8	122701	8	Socket Terminal ONLY
9	122605	2	4-Pin Socket Connector ONLY
10	122700	8	Pin Terminal ONLY
11	122604	2	4-Pin Connector ONLY
	122801	1	Pin / Socket Extraction Tool
12	121405	2	Rubber Grommet
13	154060	2	Tinnerman "S" Clip

AD-330 / AD-320 Lint Drawer (Basket) Switch Assembly



Illus. No.	Part No.	Qty.	Description
1	150002	2	#6-32 x 1" Round Head Machine Screw
2	802815	1	AD-330 / AD-320 Lint Drawer (basket) Switch Assembly Complete (includes illus. nos. 1 through 4 and 7 through 9)
	307204	1	AD-330 / AD-320 Lint Switch Mounting Bracket ONLY
3	137002	1	AD-330 / AD-320 Lint Drawer (basket) Safety Switch ONLY
4	152013	2	#6-32 Hex Nut
5	122604	2	4-Pin Connector ONLY
6	122700	8	Pin Terminal ONLY
7	122605	2	4-Pin Socket Connector ONLY
8	122701	8	Socket Terminal ONLY
	122801	1	Pin / Socket Extraction Tool
9	842728	1	AD-330 / AD-320 Lint Switch Bottom Harness (includes illus. nos. 7 through 9)
	842714	1	AD-330 / AD-320 Lint Switch Top Harness (includes illus. nos. 7 through 9)
10	150301	2	#8-18 x 7/16" Phillips Pan Head TEK Screw
11	150301	2	#8-18 x 7/16" Phillips Pan Head TEK Screw
12	307203	1	AD-330 / AD-320 Lint Switch Cover ONLY

UPPER TUMBLER BEARING



MAN0394

NOTE: DUPLICATE ALL COMPONENTS
FOR LOWER TUMBLER BEARING

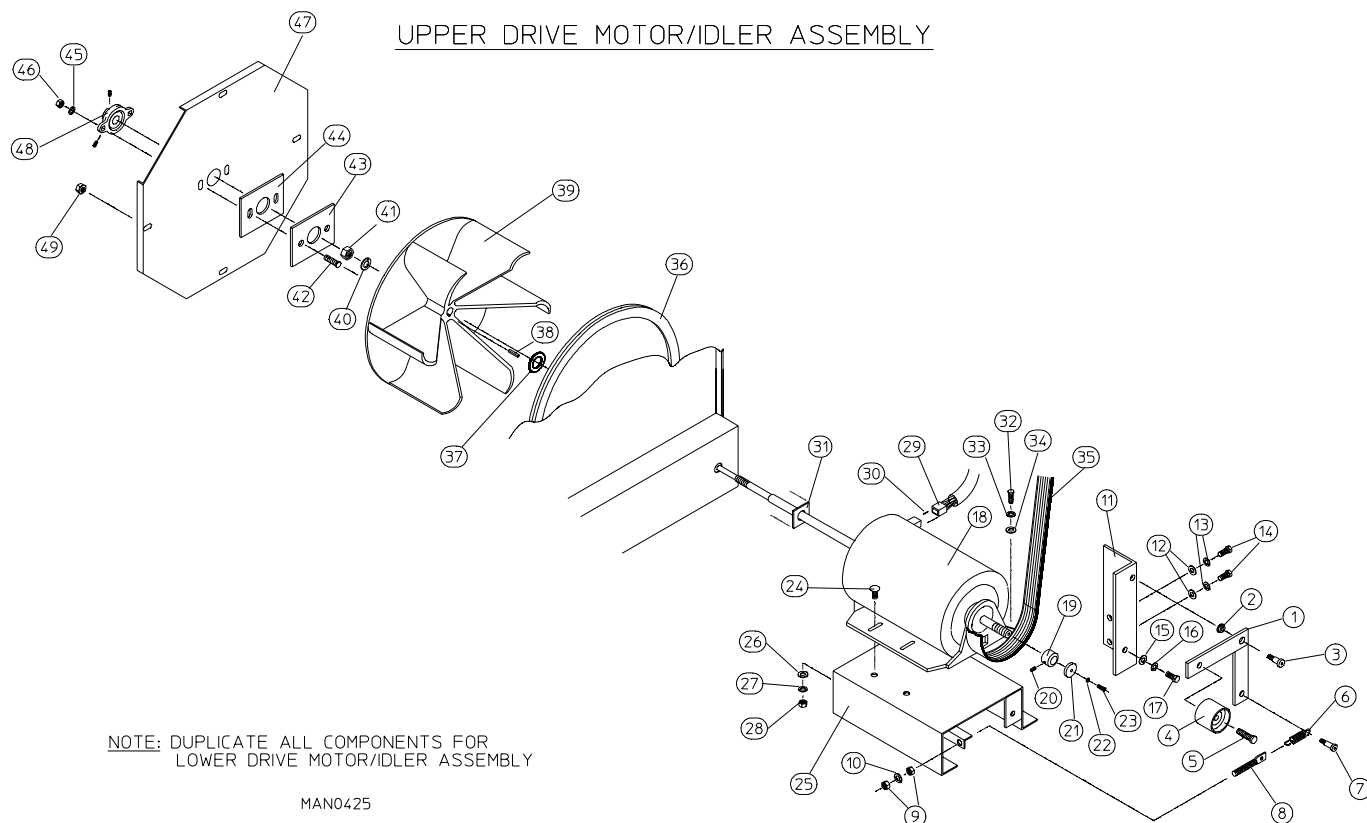
AD-330 / AD-320 Tumbler Bearing Assembly

<u>Illus. No.</u>	<u>Part No.</u>	<u>Qty.</u>	<u>Description</u>
1	100203	1	1-3/8" Flange Bearing
2	153005	4	3/8" Lock Washer
3	152005	4	3/8-16 Hex Nut
4	150508	2	3/8-16 x 3/4" Hex Head Machine Bolt
5	153005	2	3/8" Lock Washer
6	152005	2	3/8-16 Hex Nut
7	150600	2	3/8-16 x 1-1/2" Hex Head Machine Bolt
8	153004	2*	3/8" Flat Washer
9	153005	2	3/8" Lock Washer
10	152005	2	3/8-16 Hex Nut
11	150501	4	5/16-18 x 3/4" Hex Head Machine Bolt
12	153002	4	5/16" Flat Washer
13	153001	4	5/16" Lock Washer
14	150621	2	5/16-18 x 1-1/2" Hex Head Machine Bolt
15	152004	2	5/16-18 Hex Nut
16	801101	1	1-3/8" Bearing Box Assembly Complete (includes illus. nos. 4 through 20)
	801103	1	1-3/8" Bearing Box and Support Assembly ONLY (includes illus. nos. 4 through 6, 16, and 17)
	801105	1	1-3/8" Bearing Box ONLY
17	801104	1	1-3/8" Pillow Block Bearing Support ONLY
18	100202	1	1-3/8" Pillow Block Bearing ONLY
19	152004	2	5/16-18 Hex Nut
20	150610	2	5/16-18 x 1-1/2" Allen Setscrew

* Some models require a quantity of 4.

AD-330 / AD-320 Totally Enclosed, Non-Vent Motor / Idler Assemblies

For Models Mfd. as of January 7, 1991



Illus. No.	Part No.	Qty.	Description
1	850131	1	AD-330 / AD-320 Idler Arm ONLY
	801017	1	AD-330 / AD-320 Idler Arm Assembly with Hardware (includes illus. nos. 1 through 10)
2	121350	1	13/32" x 3/8" I.D. Bronze Bushing
3	154277	1	5/16" x 3/8" Shoulder Bolt
4	100250	1	AD-330 / AD-320 Backside Idler Assembly
5	150600	1	3/8-16 x 1-1/2" Hex Head Bolt
6	157010	1	1-7/8" Extension Spring
7	154276	1	1/4-20 x 5/8" Shoulder Bolt
8	154275	1	3/8-16 x 3-3/8" Spade Bolt
9	152005	2	3/8-16 Hex Nut
10	153005	1	3/8" Lock Washer
11	311609	1	AD-330 / AD-320 Idler Angle ONLY
12	153001	2	5/16" Flat Washer
13	153002	2	5/16" Lock Washer
14	150501	2	5/16-18 x 3/4" Hex Head Machine Bolt
15	153001	2	5/16" Flat Washer
16	153002	2	5/16" Lock Washer
17	150501	2	5/16-18 x 3/4" Hex Head Machine Bolt
18	100064	1	1/3 hp / 115 / 230 / 60 Hz / 1Ø Totally Enclosed, Non-Vent Motor with Plug (for models mfd. as of January 7, 1991)
	100049	1	1/3 hp / 100-230 / 50 Hz / 1Ø Totally Enclosed, Non-Vent Motor with Plug

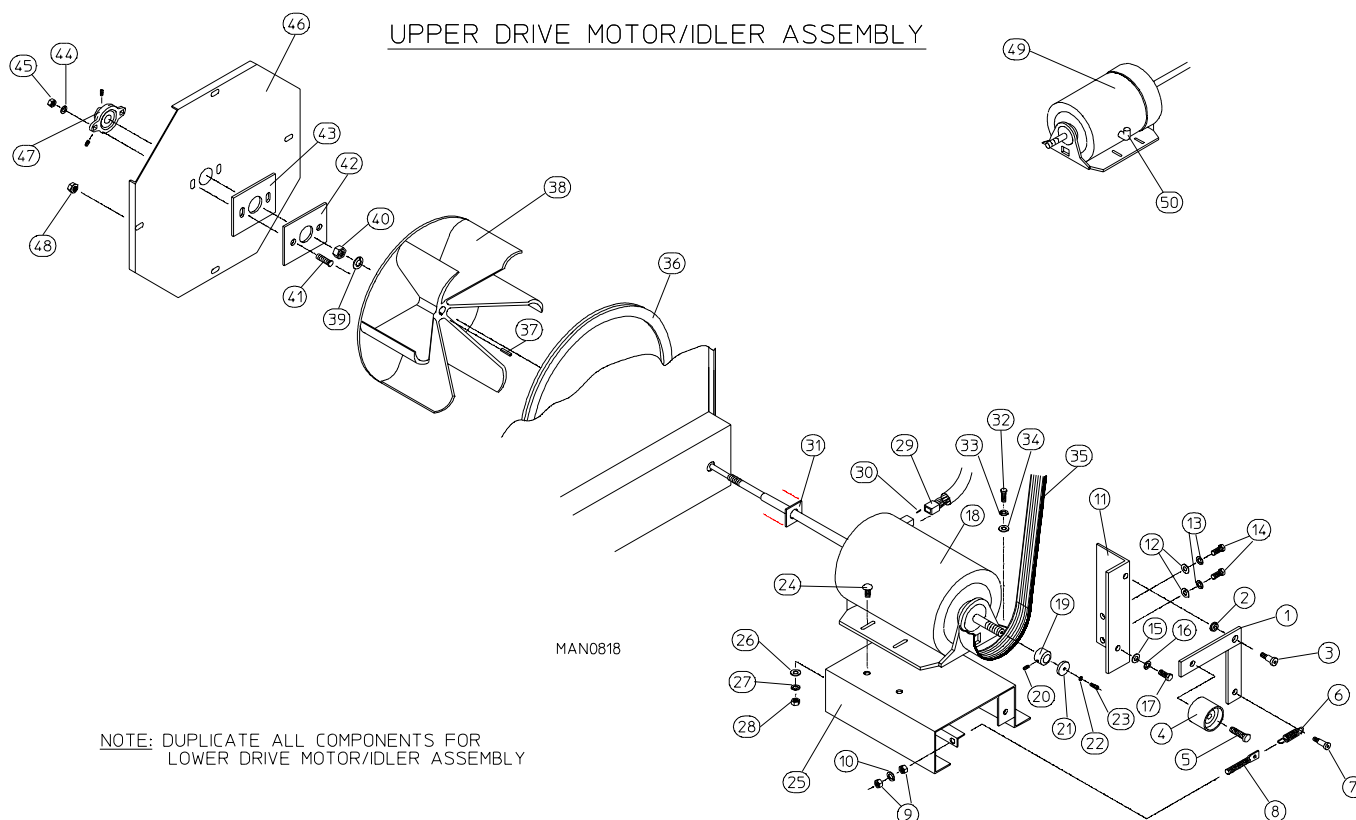
AD-330 / AD-320 Totally Enclosed, Non-Vent Motor / Idler Assemblies

For Models Mfd. as of January 7, 1991

<u>Illus. No.</u>	<u>Part No.</u>	<u>Qty.</u>	<u>Description</u>
19	101097	1	AD-330 / AD-320 Rear Motor Shaft Bushing (for 60 Hz models Only)
	101099	1	AD-330 / AD-320 Rear Motor Shaft Bushing (for 50 Hz models Only)
20	154304	1	1/4-20 x 3/8" Socket Setscrew
21	101096	1	AD-330 / AD-320 Front Motor Shaft Bushing (50 / 60 Hz)
22	153024	1	#10 Lock Washer
23	150216	1	#10-32 x 3/4" Left Hand Phillips Round Head Screw
24	154279	4	5/16-18 x 3/4" Carriage Bolt
25	800917	1	AD-330 / AD-320 Motor Mount ONLY
	803918	1	1/3 hp / 115 / 230 / 60 Hz / 1Ø Totally Enclosed, Non-Vent Motor Mount Assembly Complete (for models mfd. as of January 7, 1991) (includes illus. nos. 11 through 28 and 31)
	803926	1	1/3 hp / 115 / 230 / 50 Hz / 1Ø Totally Enclosed, Non-Vent Motor Mount Assembly Complete (includes illus. nos. 11 through 28 and 31)
26	153001	4	5/16" Flat Washer
27	153002	4	5/16" Lock Washer
28	152004	4	5/16-18 Hex Nut
29	137030	1	8-Pin Housing ONLY
30	122701	8	Socket Terminal ONLY
	122801	1	Pin / Socket Extraction Tool
31	116010	1	AD-330 / AD-320 Felt Motor Seal ONLY
32	150501	4	5/16-18 x 3/4" Hex Head Machine Bolt
33	153002	4	5/16" Lock Washer
34	153001	4	5/16" Flat Washer
35	100130	1	12-Rib 95" Belt (to basket / support assembly and basket brush assembly) (refer to AD-330 / AD-320 12-Rib 95" [J] Poly Belt Arrangement on page 61)
36	117600	3	Noise Suppressor Tape (sold by the foot)
37	153055	1	AD-330 / AD-320 Motor Washer (for 50 Hz models Only)
38	100705	1	3/16" x 3/16" x 1-3/8" Key
39	100608	1	12-1/2" Impellor with 3/4" Bore (for 60 Hz models Only)
	100620	1	12-1/2" Impellor with 5/8" Bore (for 50 Hz models Only)
40	153040	1	3/4" Lock Washer (for 60 Hz models Only)
	153015	1	5/8" Lock Washer (for 50 Hz models Only)
41	152025	1	3/4-16 Jam Nut (for 60 Hz models Only)
	152030	1	5/8-18 Jam Nut (for 50 Hz models Only)
42	153535	2	1/4-20 x 1" Self-Clinching Stud
43	850132	1	AD-330 / AD-320 Bearing Back-Up Plate (includes illus. nos. 42 and 43)
	852104	1	AD-330 / AD-320 Bearing Back-Up Plate Assembly (includes illus. nos. 42 through 46)
44	116011	1	AD-330 / AD-320 Bearing Felt Seal ONLY
45	153007	2	1/4" Lock Washer
46	152002	2	1/4-20 Hex Nut
47	312103	1	AD-330 / AD-320 Impellor Cover ONLY
48	100225	1	1/2" Flange Bearing with Nylon Patch Setscrews
49	152014	4	1/4-20 Free Spin Wash Nut

AD-330 / AD-320 Totally Enclosed, Non-Vent Motor / Idler Assemblies

For Models Mfd. prior to January 7, 1991



NOTE: DUPLICATE ALL COMPONENTS FOR LOWER DRIVE MOTOR/IDLER ASSEMBLY

Illus. No.	Part No.	Qty.	Description
1	850131	1	AD-330 / AD-320 Idler Arm ONLY
	801017	1	AD-330 / AD-320 Idler Arm Assembly with Hardware (includes illus. nos. 1 through 10)
2	121350	1	13/32" x 3/8" I.D. Bronze Bushing
3	154277	1	5/16" x 3/8" Shoulder Bolt
4	100250	1	AD-330 / AD-320 Backside Idler Assembly
5	150600	1	3/8-16 x 1-1/2" Hex Head Bolt
6	157010	1	1-7/8" Extension Spring
7	154276	1	1/4-20 x 5/8" Shoulder Bolt
8	154275	1	3/8-16 x 3-3/8" Spade Bolt
9	152005	2	3/8-16 Hex Nut
10	153005	1	3/8" Lock Washer
11	311609	1	AD-330 / AD-320 Idler Angle ONLY
12	153001	2	5/16" Flat Washer
13	153002	2	5/16" Lock Washer
14	150501	2	5/16-18 x 3/4" Hex Head Machine Bolt
15	153001	2	5/16" Flat Washer
16	153002	2	5/16" Lock Washer
17	150501	2	5/16-18 x 3/4" Hex Head Machine Bolt
18	100048	1	1/3 hp /115 / 230 / 60 Hz / 1Ø Totally Enclosed, Non-Vent Motor without Plug (for models mfd. prior to January 7, 1991)
	100049	1	1/3 hp / 115 / 230 / 50 Hz / 1Ø Totally Enclosed, Non-Vent Motor with Plug
19	301872	1	AD-330 / AD-320 Rear Motor Shaft Bushing (for 60 Hz models Only) (refer to page 47 [item 19] for replacement part)
	301877	1	AD-330 / AD-320 Rear Motor Shaft Bushing (for 50 Hz models Only) (refer to page 47 [item 19] for replacement part)
20	154304	1	1/4-20 x 3/8" Socket Setscrew

AD-330 / AD-320 Totally Enclosed, Non-Vent Motor / Idler Assemblies

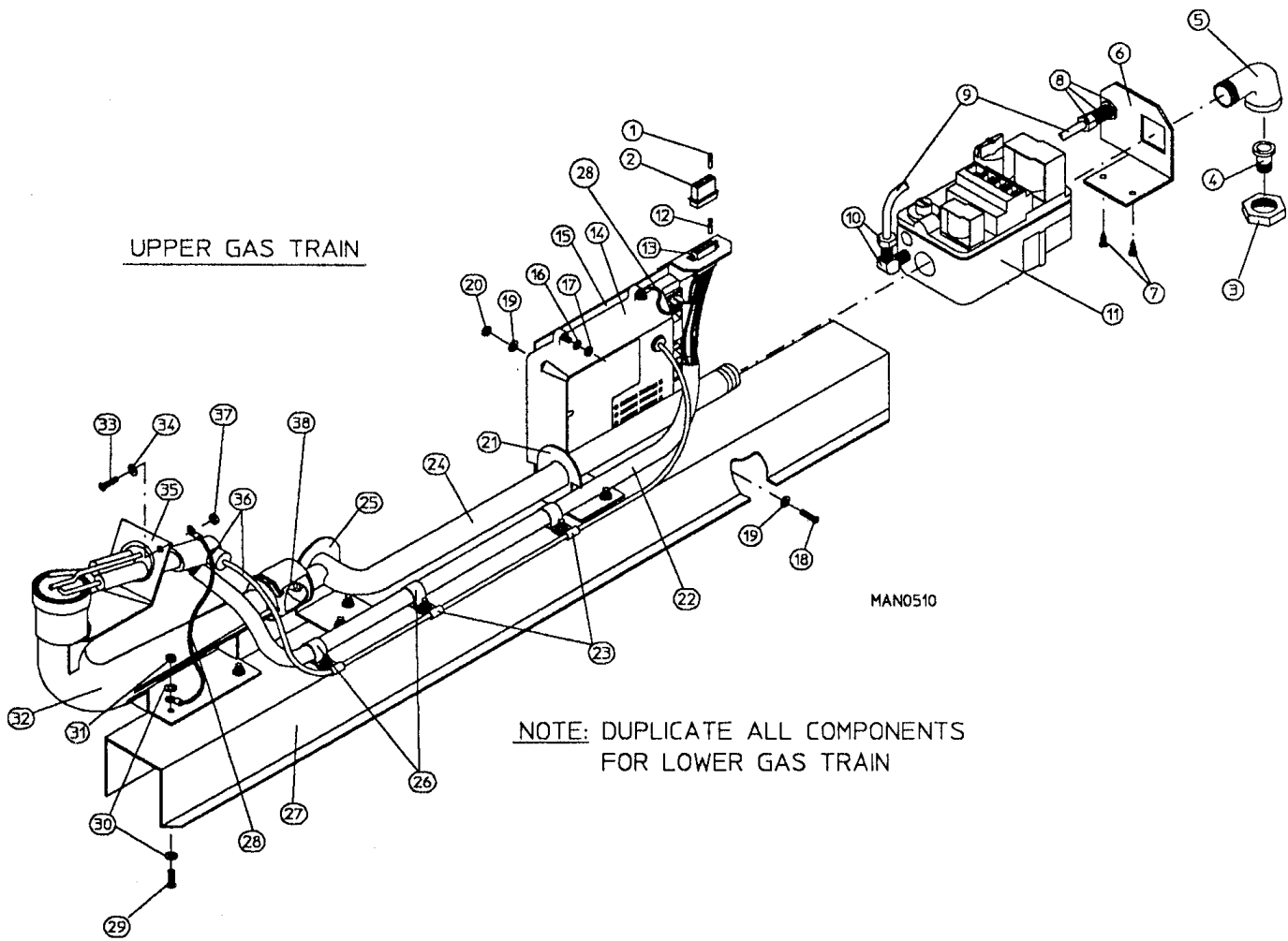
For Models Mfd. prior to January 7, 1991

<u>Illus. No.</u>	<u>Part No.</u>	<u>Qty.</u>	<u>Description</u>
21	301871	1	AD-330 / AD-320 Front Motor Shaft Bushing (for 60 Hz models Only) (refer to page 47 [item 21] for replacement part)
	301876	1	AD-330 / AD-320 Front Motor Shaft Bushing (for 50 Hz models Only) (refer to page 47 [item 21] for replacement part)
22	153009	1	#10 Star Washer (refer to page 47 [item 22] for replacement part)
23	150215	1	#10-32 x 1/2" Left-Hand Phillips Round Head Screw (refer to page 47 [item 23] for replacement part)
24	154279	4	5/16-18 x 3/4" Carriage Bolt
25	800917	1	AD-330 / AD-320 Motor Mount ONLY
	803925	1	AD-330 / AD-320 1/3 hp / 115 / 230 / 60 Hz / 1Ø Totally Enclosed, Non-Vent Motor Mount Assembly Complete (for models mfd. prior to January 7, 1991) (includes illus. nos. 11 through 28 and 31)
	803926	1	AD-330 1/3 hp / 115 / 230 / 50 Hz / 1Ø Totally Enclosed, Non-Vent Motor Mount Assembly Complete (includes illus. nos. 11 through 28 and 31)
26	153001	4	5/16" Flat Washer
27	153002	4	5/16" Lock Washer
28	152004	4	5/16-18 Hex Nut
29	137030	1	8-Pin Housing ONLY
30	122701	8	Socket Terminal ONLY
	122801	1	Pin / Socket Extraction Tool
31	116010	1	AD-330 / AD-320 Felt Motor Seal
32	150501	4	5/16-18 x 3/4" Hex Head Machine Bolt
33	153002	4	5/16" Lock Washer
34	153001	4	5/16" Flat Washer
35	100130	1	12-Rib 95" Belt (to basket / support assembly and basket brush assembly) (refer to AD-330 / AD-320 12-Rib 95" [J] Poly Belt Arrangement on page 61)
36	117600	3	Noise Suppressor Tape (sold by the foot)
37	100705	1	3/16" x 3/16" x 1-3/8" Key
38	100608	1	12-1/2" Impellor with 3/4" Bore (for 60 Hz models Only)
	100620	1	12-1/2" Impellor with 5/8" Bore (for 50 Hz models Only)
39	153040	1	3/4" Lock Washer (for 60 Hz models Only)
	153015	1	5/8" Lock Washer (for 50 Hz models Only)
40	152025	1	3/4-16 Jam Nut (for 60 Hz models Only)
	152030	1	5/8-18 Jam Nut (for 50 Hz models Only)
41	153535	2	1/4-20 x 1" Self-Clinching Stud
42	850132	1	AD-330 / AD-320 Bearing Back-Up Plate (includes illus. nos. 41 and 42)
	852104	1	AD-330 / AD-320 Bearing Back-Up Plate Assembly with Hardware (includes illus. nos. 41 through 45)
43	116011	1	AD-330 / AD-320 Bearing Felt Seal ONLY
44	153007	2	1/4" Lock Washer
45	152002	2	1/4-20 Hex Nut
46	312103	1	AD-330 / AD-320 Impellor Cover ONLY
47	100225	1	1/2" Flange Bearing with Nylon Patch Setscrews
48	152014	4	1/4-20 Free Spin Wash Nut
49	-----*	1	1/2 hp / 115 / 230 / 60 Hz / 1Ø Totally Enclosed, Fan-Cooled Motor without Plug
50	120200	1	3/8" – 90° Connector

* For models manufactured prior to January 19, 1990, the 1/2 hp totally enclosed, fan-cooled motor and motor mount used is not interchangeable / replaceable with the current production 1/3 hp totally enclosed, non-vent motor and motor mount. Obtain information from data label and contact factory.

ADG-330 Gas Valve Train Assembly

For Models Mfd. as of January 31, 1991



ADG-330 Gas Valve Train Assembly

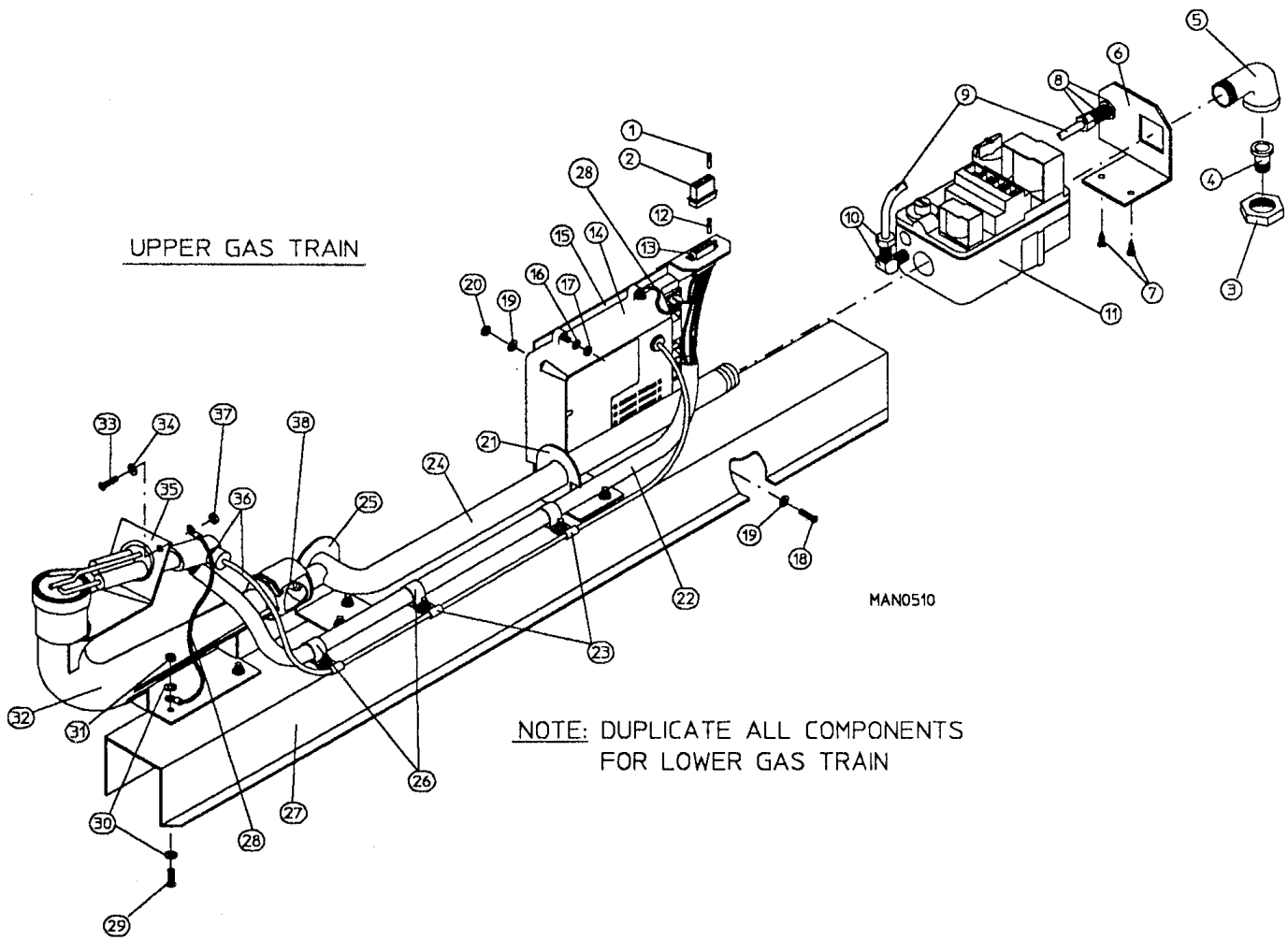
For Models Mfd. as of January 31, 1991

<u>Illus. No.</u>	<u>Part No.</u>	<u>Qty.</u>	<u>Description</u>
1	122700	2	Pin Terminal ONLY
2	122604	1	4-Pin Connector ONLY
3	141325	1	Tail Piece Collar ONLY
4	141303	1	1/2" Union Tail Piece ONLY
5	142506	1	1/2" x 1/2" Street Elbow
6	318712	1	Gas Valve Pipe Bracket
7	150301	2	#8-18 x 7/16" Phillips Pan Head TEK Screw
8	143259	1	Bulkhead Fitting
9	143100	1	1/4" Aluminum Tubing (sold by the foot)
10	143203	1	90° Line Adapter
11	128927	1	1/2" 24VAC Direct Spark Ignition Redundant (natural gas) Valve
	140411	1	Direct Spark Ignition Liquid Propane (gas valve) Conversion Kit
12	122701	2	Socket Terminal ONLY
13	122605	1	4-Pin Socket Connector ONLY
	122801	1	Pin / Socket Extraction Tool
14	884335	1	Direct Spark Ignition Module
15	850808	1	Direct Spark Ignition Module Mounting Bracket ONLY
16	153017	4	#6 Star Washer
17	151000	4	#6-32 Pal Nut
18	153528	2	#8-32 x 1/2" Self-Clinching Stud
19	153012	4	#8 Star Washer
20	152001	2	#8-32 Hex Nut
21	318711	1	Notched Pipe Bracket
22	121060	4	5/8" Clear Flexite
23	121492	3	3/16" Nylon Clamp
24	141225	1	ADG-330 Single-Port Manifold ONLY
25	318700	1	Pipe Bracket
26	121491	3	5/8" Nylon Clamp
27	801020	1	ADG-330 (natural gas) Gas Valve Train Assembly Complete Less Orifice (includes illus. nos. 3 through 36)
	319522	1	ADG-330 Gas Valve Train Slide ONLY
28	842716	1	ADG-330 Gas Valve Train Ground Wiring (top gas train)
	842724	1	ADG-330 Gas Valve Train Ground Wiring (bottom gas train)
29	153528	9	#8-32 x 1/2" Self-Clinching Stud
30	153012	16	#8 Star Washer
31	151001	8	#8-32 Pal Nut
32	809305	1	Direct Spark Ignition Up-Shot Burner Tube Assembly ONLY
33	150108	1	#8-32 x 1/2" Phillips Head Machine Screw
34	153012	1	#8 Star Washer
35	880134	1	ADG-330 Ignitor / Flame-Probe Assembly Kit (includes high voltage wire and connector)
	305410	1	Direct Spark Ignition Ignitor Gap Feeler Gauge ... Not Illustrated
36	880330	1	Direct Spark Ignition Ignitor High Voltage Wire / Connector ONLY
37	152001	1	#8-32 Pal Nut
38	140856*	1	#23 Burner Orifice (natural gas) ONLY
	140810*	1	#42 Burner Orifice (liquid propane) ONLY
—	880145*	1	Liquid Propane Conversion Kit (includes orifices and liquid propane [gas valve] conversion kits for both baskets)

* Consult factory for elevations over 2,000 feet.

ADG-320 Gas Valve Train Assembly

For Models Mfd. prior to January 31, 1991



ADG-320 Gas Valve Train Assembly

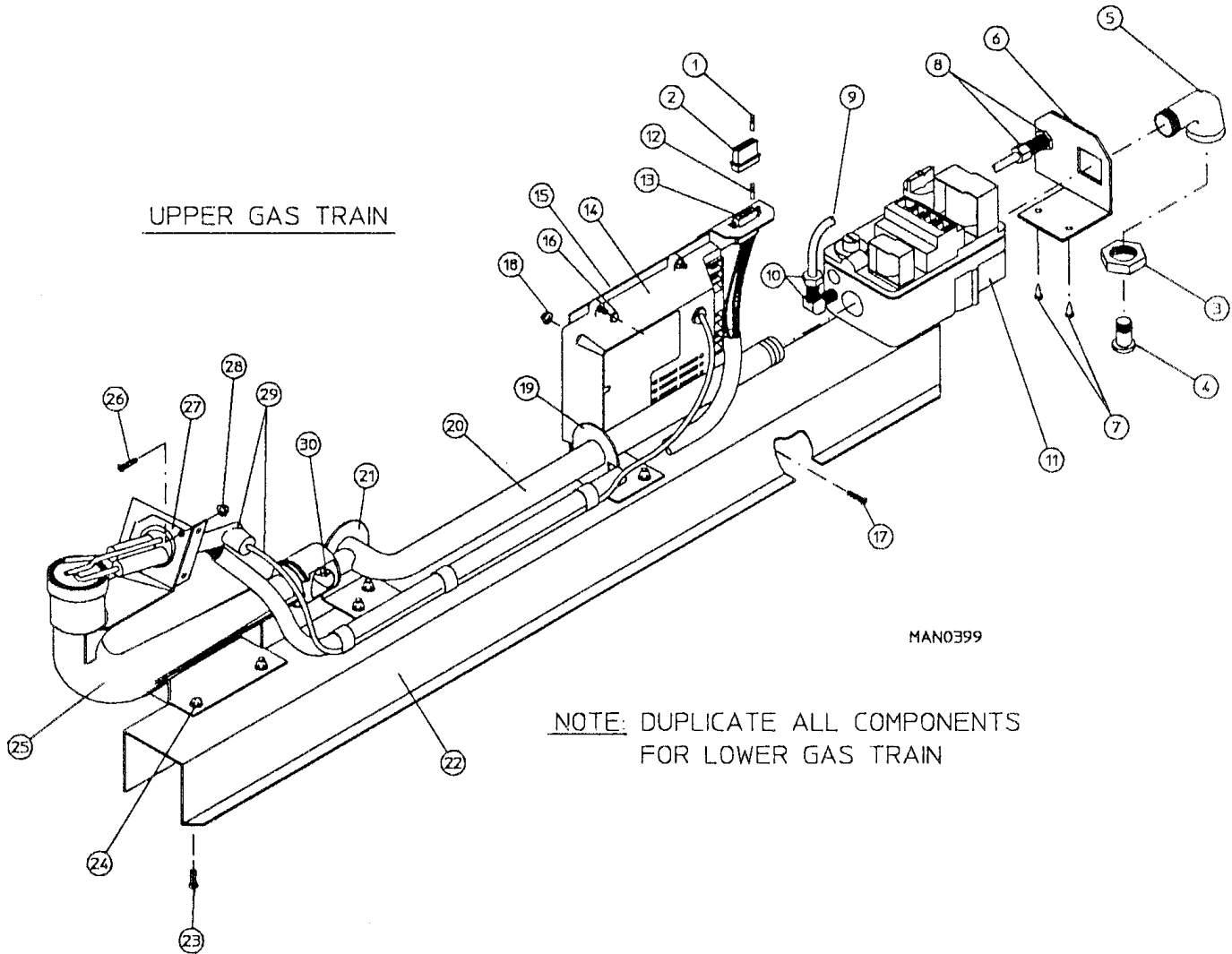
For Models Mfd. prior to January 31, 1991

<u>Illus. No.</u>	<u>Part No.</u>	<u>Qty.</u>	<u>Description</u>
1	122700	2	Pin Terminal ONLY
2	122604	1	4-Pin Connector ONLY
3	141325	1	Tail Piece Collar ONLY
4	141303	1	1/2" Union Tail Piece ONLY
5	142506	1	1/2" x 1/2" Street Elbow
6	318712	1	Gas Valve Pipe Bracket
7	150301	2	#8-18 x 7/16" Phillips Pan Head TEK Screw
8	143259	1	Bulkhead Fitting
9	143100	1	1/4" Aluminum Tubing (sold by the foot)
10	143203	1	90° Line Adapter
11	128927	1	1/2" 24VAC Direct Spark Ignition Redundant (natural gas) Valve
	140411	1	Direct Spark Ignition Liquid Propane (gas valve) Conversion Kit
12	122701	2	Socket Terminal ONLY
13	122605	1	4-Pin Socket Connector ONLY
	122801	1	Pin / Socket Extraction Tool
14	884335	1	Direct Spark Ignition Module
15	850808	1	Direct Spark Ignition Module Mounting Bracket ONLY
16	153017	4	#6 Star Washer
17	151000	4	#6-32 Pal Nut
18	153528	2	#8-32 x 1/2" Self-Clinching Stud
19	153012	4	#8 Star Washer
20	152001	2	#8-32 Hex Nut
21	318711	1	Notched Pipe Bracket
22	121060	4	5/8" Clear Flexite
23	121492	3	3/16" Nylon Clamp
24	141245	1	ADG-320 Single-Port Manifold ONLY
25	318700	1	Pipe Bracket
26	121491	3	5/8" Nylon Clamp
27	801023	1	ADG-320 (natural gas) Gas Valve Train Assembly Complete Less Orifice (includes illus. nos. 3 through 36)
	319525	1	ADG-320 Gas Valve Train Slide ONLY
28	842716	1	ADG-320 Gas Valve Train Ground Wiring (top gas train)
	842724	1	ADG-320 Gas Valve Train Ground Wiring (bottom gas train)
29	153528	9	#8-32 x 1/2" Self-Clinching Stud
30	153012	16	#8 Star Washer
31	151001	8	#8-32 Pal Nut
32	809305	1	Direct Spark Ignition Up-Shot Burner Tube Assembly ONLY
33	150108	1	#8-32 x 1/2" Phillips Head Machine Screw
34	153012	1	#8 Star Washer
35	880134	1	ADG-320 Ignitor / Flame-Probe Assembly Kit (includes high voltage wire and connector)
	305410	1	Direct Spark Ignition Ignitor Gap Feeler Gauge ... Not Illustrated
36	880330	1	Direct Spark Ignition Ignitor High Voltage Wire / Connector ONLY
37	152001	1	#8-32 Pal Nut
38	140823*	1	#26 Burner Orifice (natural gas) ONLY
	140809*	1	#43 Burner Orifice (liquid propane) ONLY
—	874060*	1	Liquid Propane Conversion Kit (includes orifices and liquid propane [gas valve] conversion kits for both baskets)

* Consult factory for elevations over 2,000 feet.

ADG-330 Gas Valve Train Assembly

For Models Mfd. prior to January 31, 1991



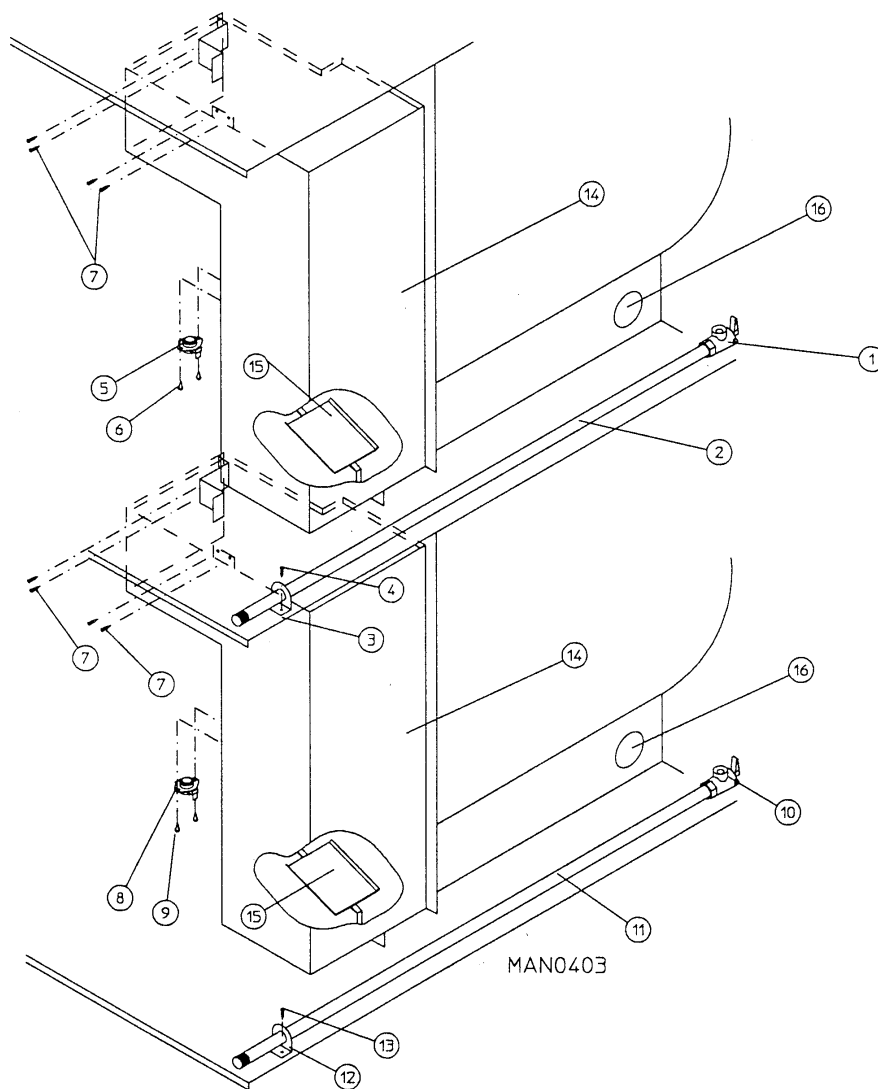
ADG-330 Gas Valve Train Assembly

For Models Mfd. prior to January 31, 1991

<u>Illus. No.</u>	<u>Part No.</u>	<u>Qty.</u>	<u>Description</u>
1	122700	2	Pin Terminal ONLY
2	122604	1	4-Pin Connector ONLY
3	141325	1	Tail Piece Collar ONLY
4	141303	1	1/2" Union Tail Piece ONLY
5	142506	1	1/2" x 1/2" Street Elbow
6	318712	1	Gas Valve Pipe Bracket
7	150301	2	#8-18 x 7/16" Phillips Pan Head TEK Screw
8	143259	1	Bulkhead Fitting
9	143100	1	1/4" Aluminum Tubing (sold by the foot)
10	143203	1	90° Line Adapter
11	128927	1	1/2" 24VAC Direct Spark Ignition Redundant (natural gas) Valve
	140411	1	Direct Spark Ignition Liquid Propane (gas valve) Conversion Kit
12	122701	2	Socket Terminal ONLY
13	122605	1	4-Pin Socket Connector ONLY
	122801	1	Pin / Socket Extraction Tool
14	884335	1	Direct Spark Ignition Module
15	850808	1	Direct Spark Ignition Module Mounting Bracket ONLY
16	151000	4	#6 Pal Nut
17	153528	2	#8-32 x 1/2" Self-Clinching Stud
18	151001	2	#8-32 Pal Nut
19	318711	1	Notched Pipe Bracket
20	141225	1	ADG-330 Single-Port Manifold ONLY
21	318700	1	Pipe Bracket
22	880147	1	ADG-330 (60 Hz – natural gas) Gas Valve Train Assembly Complete Less Orifice (includes illus. nos. 3 through 29) (refer to page 51 [item 27] for replacement parts)
	880146	1	ADG-330 (50 Hz – natural gas) Gas Valve Train Assembly Complete Less Orifice (includes illus. nos. 3 through 29) (refer to page 51 [item 27] for replacement parts)
	850814	1	ADG-330 Gas Valve Train Slide ONLY with Tabs (refer to page 51 [item 27] for replacement parts)
23	153528	6	#8-32 x 1/2" Self-Clinching Stud
24	151001	6	#8-32 Pal Nut
25	809305	1	Direct Spark Ignition Up-Shot Burner Tube Assembly ONLY
26	153528	2	#8-32 x 1/2" Self-Clinching Stud
27	880134	1	ADG-320 Ignitor / Flame-Probe Assembly Kit (includes high voltage wire and connector)
	305410	1	Direct Spark Ignition Ignitor Gap Feeler Gauge ... Not Illustrated
28	151001	2	#8-32 Pal Nut
29	880330	1	Direct Spark Ignition Ignitor High Voltage Wire / Connector ONLY
30	140856*	1	#23 Burner Orifice (natural gas) ONLY
	140810*	1	#42 Burner Orifice (liquid propane) ONLY
	880145*	1	Liquid Propane Conversion Kit (includes orifices and liquid propane [gas valve] conversion kits for both baskets)

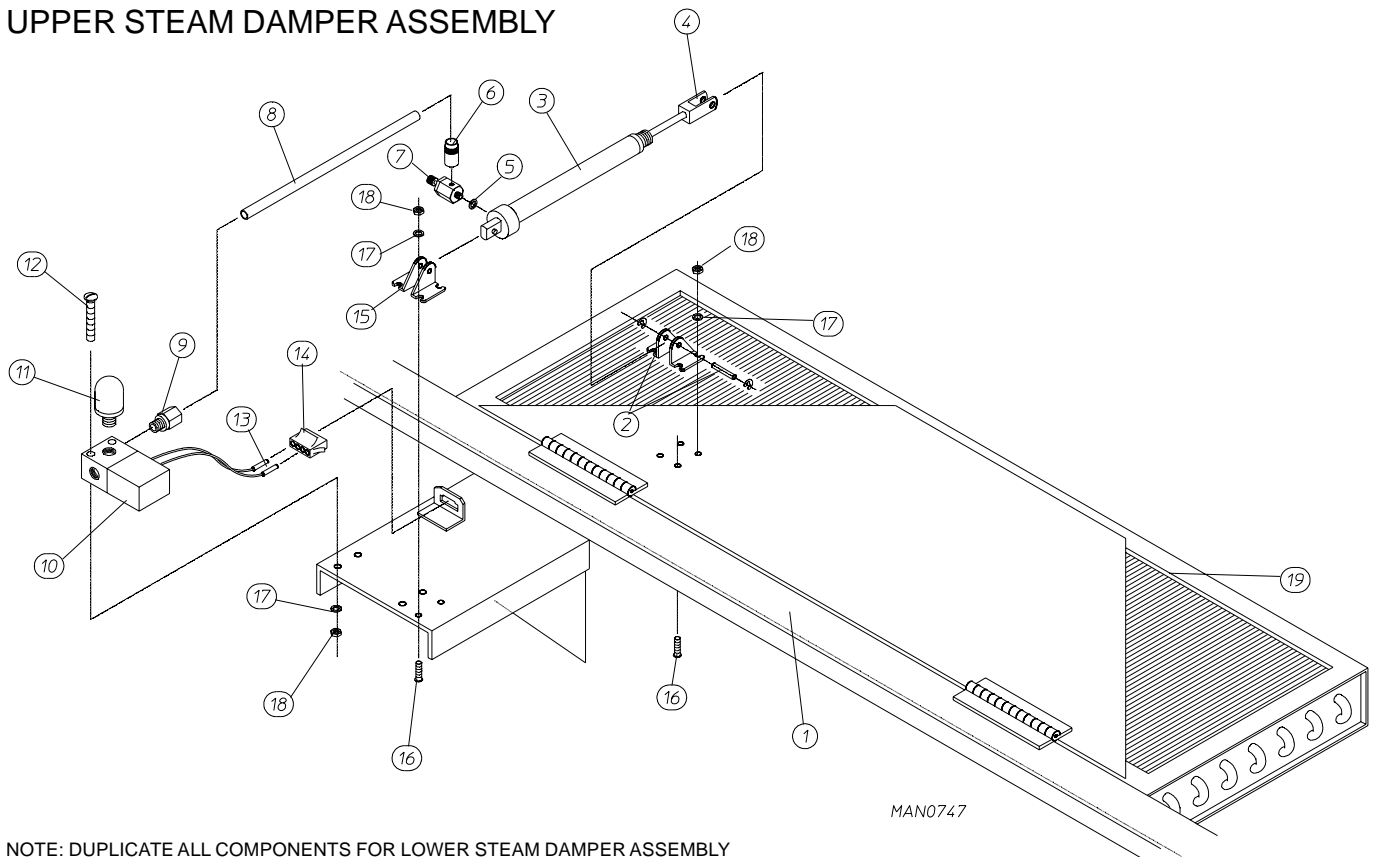
* Consult factory for elevations over 2,000 feet.

ADG-330 / ADG-320 Burner Box / Piping Assembly



Illus. No.	Part No.	Qty.	Description
1	141305	1	Union Shutoff Body ONLY
2	142805	1	1/2" x 34" Pipe (for use on model ADG-330 Only)
	142810	1	1/2" x 30" Pipe (for use on model ADG-320 Only)
3	318700	1	Pipe Bracket ONLY
4	150300	2	#10-32 x 1/2" Hex Washer TEK Screw
5	130403	1	330° Hi-Limit ONLY
6	150300	2	#10-32 x 1/2" Hex Washer TEK Screw
7	150301	8	#8-18 x 7/16" Phillips Pan Head TEK Screw
8	130401	1	330° Hi-Limit ONLY
9	150300	2	#10-32 x 1/2" Hex Washer TEK Screw
10	141305	1	Union Shutoff Body ONLY
11	142805	1	1/2" x 34" Pipe (for use on model ADG-330 Only)
	142810	1	1/2" x 30" Pipe (for use on model ADG-320 Only)
12	318700	1	Pipe Bracket ONLY
13	150300	2	#10-32 x 1/2" Hex Washer TEK Screw
14	850854	2	ADG-330 / ADG-320 Burner Box ONLY without Flame Spreader
15	850912	2	ADG-330 / ADG-320 Flame Spreader ONLY
16	_____	2	Sail Switch (refer to ADG-330 / ADG-320 Sail Switch Assembly on page 58)

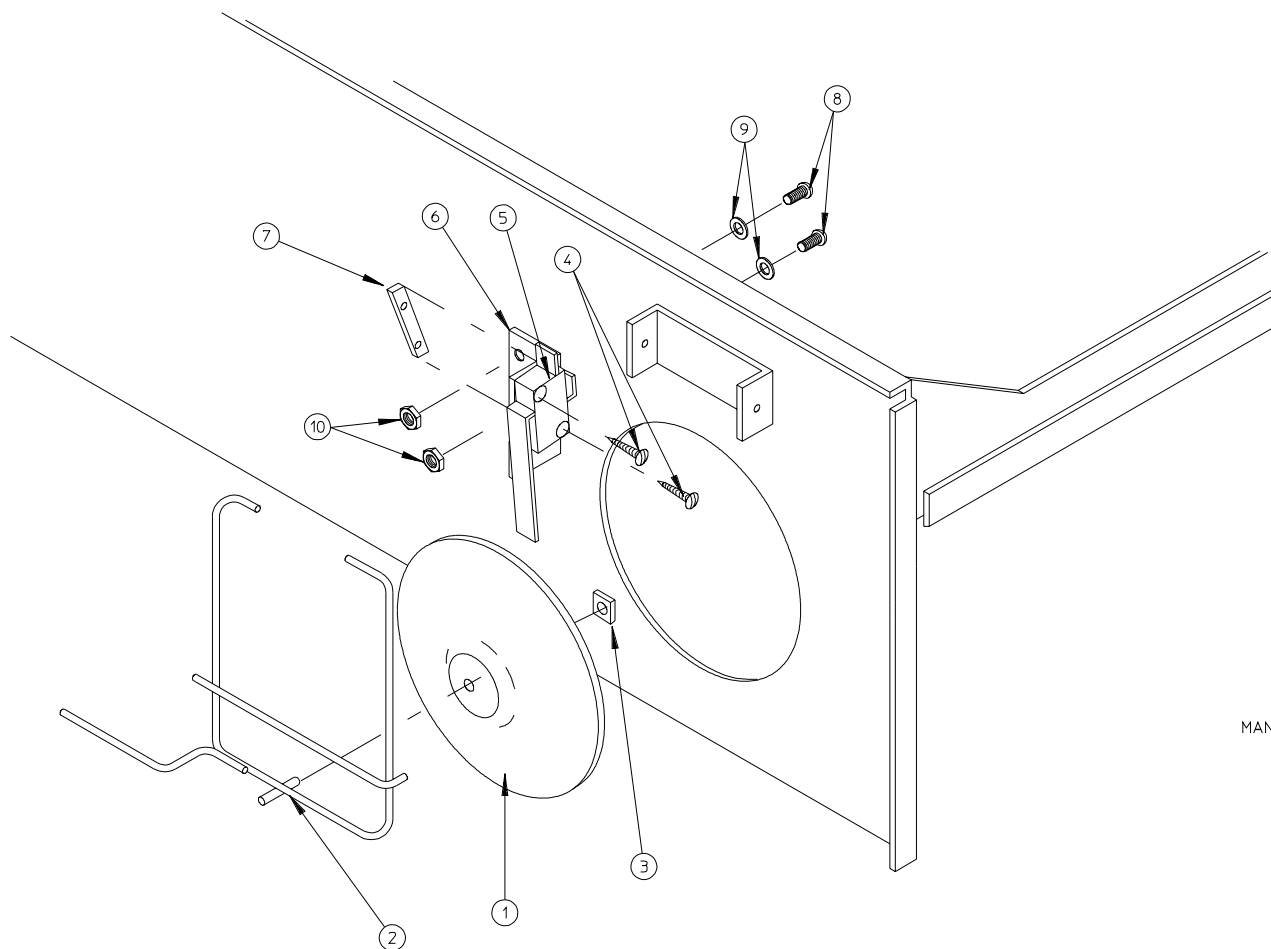
UPPER STEAM DAMPER ASSEMBLY



NOTE: DUPLICATE ALL COMPONENTS FOR LOWER STEAM DAMPER ASSEMBLY

Illus. No.	Part No.	Qty.	Description
1	850875	1	ADS-330 / ADS-320 Steam Damper Assembly
2	100532	1	Pivot Bracket with Pin
3	100530	1	9/16" Bore x 2" Stroke Piston
4	100531	1	Piston Clevis
5	115994	1	Needle Valve Gasket
6	100471	1	#10-32 x 1/4" (male) Connector
7	100534	1	Needle Valve
8	143110	1	1/4" Poly-Flo Tubing
9	100472	1	1/4" Poly x 1/8" M.P.T. Connector
10	100498	1	3-Way Micro Valve
11	100520	1	1/8" N.P.T. Silencer (muffler)
12	150002	2	#6-32 x 1" Round Head Machine Screw
13	122701	2	Socket Terminal ONLY
14	122605	1	4-Pin Socket Connector ONLY
	122801	1	Pin / Socket Extraction Tool
15	100533	1	Pivot Bracket
16	153560	8	#6-32 x 1/2" Self-Clinching Stud
17	153008	10	#6 Lock Washer
18	152013	10	#6-32 Hex Nut
19	165035	1	ADS-330 / ADS-320 Steam Coil Assembly

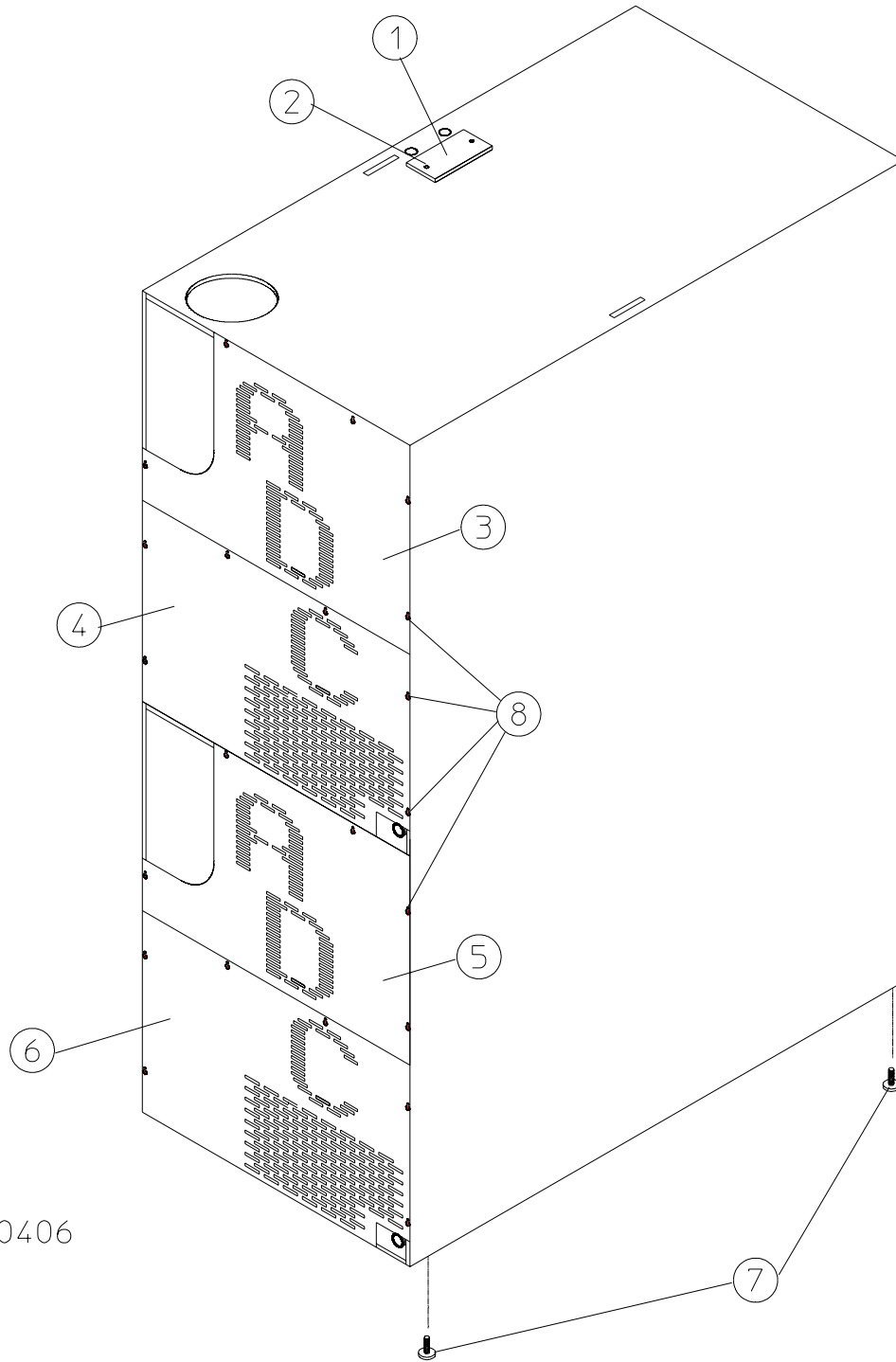
UPPER SAIL SWITCH ASSEMBLY



MAN0570

NOTE: DUPLICATE ALL COMPONENTS
FOR LOWER SAIL SWITCH ASSEMBLY

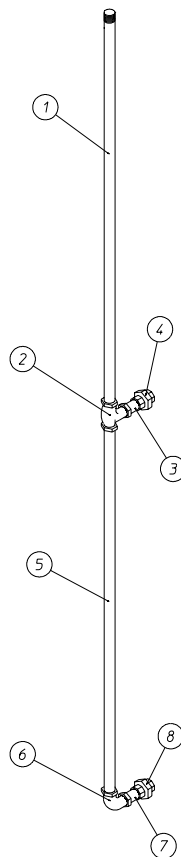
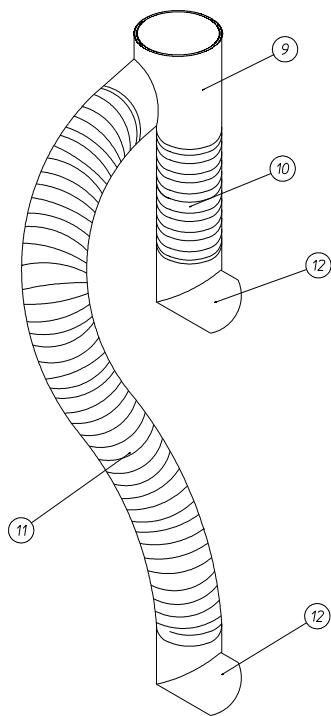
<u>Illus. No.</u>	<u>Part No.</u>	<u>Qty.</u>	<u>Description</u>
1	309206	1	Sail Switch Damper (embossed)
	802805	1	AD-330 / AD-320 Sail Switch Rod and Damper Assembly (includes illus. nos. 1 through 3)
2	105550	1	AD-330 / AD-320 Sail Switch Rod
3	154002	1	1/8" Push-On Fastener
4	150303	2	#4 x 3/4" Pan Head "A" Machine Screw
5	122200	1	Sail Switch ONLY
	802807	1	AD-330 / AD-320 Sail Switch Bracket Assembly (includes illus. nos. 4 through 7)
6	319208	1	AD-330 / AD-320 Sail Switch Bracket ONLY
7	154004	1	Twin Speed Nut
8	150001	2	#6-32 x 1/2" Round Head Machine Screw
9	153010	2	#6 Star Washer
10	152000	2	#6-32 Hex Nut



MAN0406

Illus. No.	Part No.	Qty.	Description
1	315014	1	Top Electric Box Cover Plate
2	150301	2	#8-18 x 7/16" Phillips Pan Head TEK Screw
3	314404	1	AD-330 / AD-320 Top and Bottom Upper Back Guard
4	314405	1	AD-330 / AD-320 Top and Bottom Lower Back Guard
5	314404	1	AD-330 / AD-320 Top and Bottom Upper Back Guard
6	314405	1	AD-330 / AD-320 Top and Bottom Lower Back Guard
7	103500	4	Adjustable Leveling Leg
8	150301	22	#8-18 x 7/16" Phillips Pan Head TEK Screw

Optional Gas Piping and Exhaust Ducting Kits



MAN0424

ADG-330 / ADG-320 Optional Gas Piping Kit

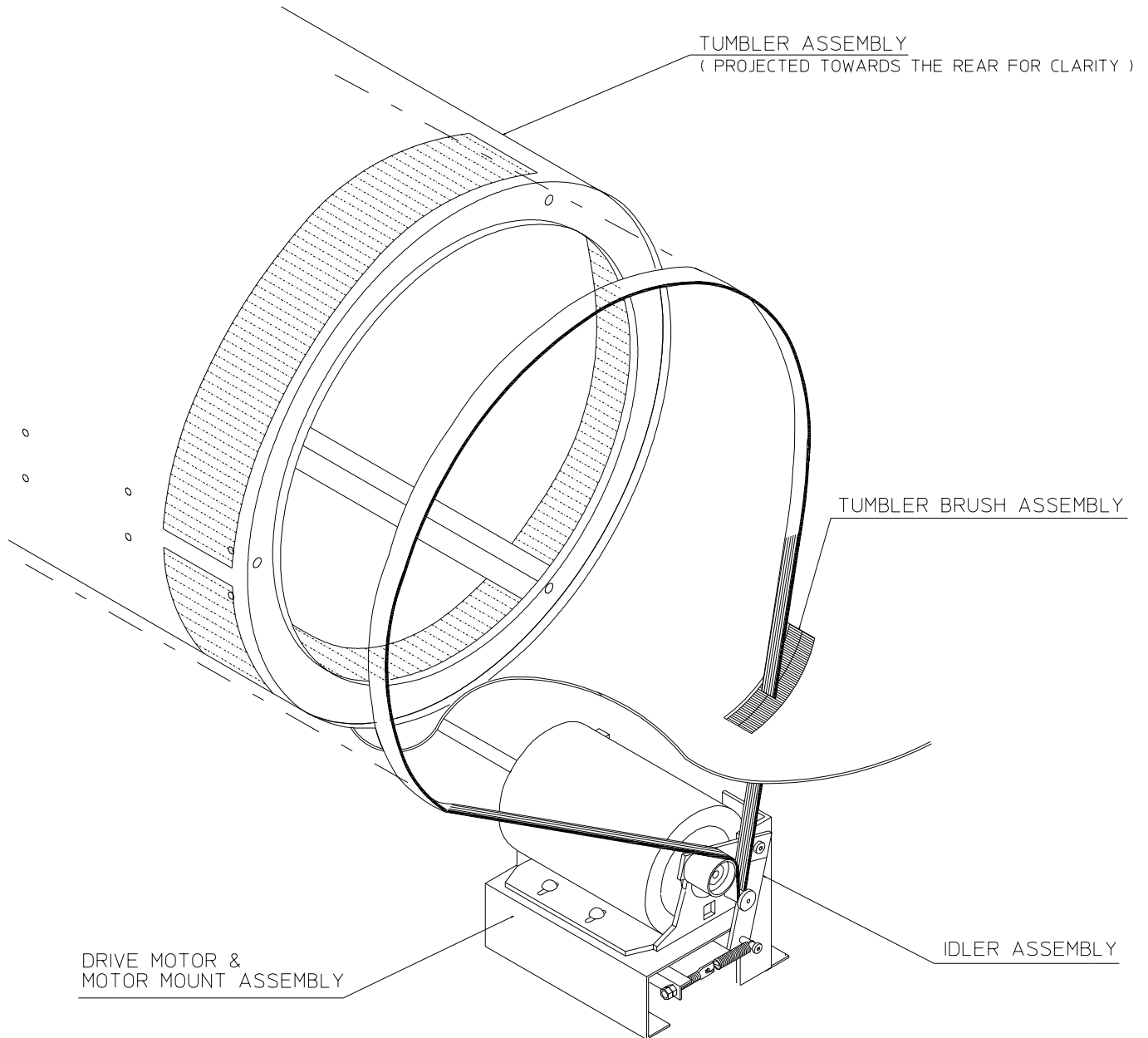
<u>Illus. No.</u>	<u>Part No.</u>	<u>Qty.</u>	<u>Description</u>
—	880128	1	ADG-330 / ADG-320 Gas Piping Kit (includes illus. nos. 1 through 8)
1	142821	1	3/4" x 36" Pipe
2	142505	1	3/4" x 1/2" x 1/2" Tee
3	142814	1	1/2" x 2-1/2" Nipple
4	142600	1	1/2" Union
5	142824	1	1/2" x 37-1/4" Pipe
6	142500	1	1/2" x 90° Elbow
7	142814	1	1/2" x 2-1/2" Nipple
8	142600	1	1/2" Union

AD-330 / AD-320 Optional Exhaust Ducting Kit

<u>Illus. No.</u>	<u>Part No.</u>	<u>Qty.</u>	<u>Description</u>
—	880127	1	AD-330 / AD-320 Exhaust Ducting Kit (includes illus. nos. 9 through 12)
9	143535	1	8" x 6" x 6" Wye Branch Duct
10	143519	1	6" Round x 4' Long Flexible Exhaust Duct
11	143509	1	6" Round x 8' Long Flexible Exhaust Duct
12	143536	2	6" Round x 45° Elbow
—	150300*	12	#10-32 x 1/2" Hex Washer TEK Screw
—	117505*	12	Aluminum Duct Tape (sold by the foot)

* Included with exhaust ducting kit (P/N 880127).

AD-330 / AD-320 12-Rib 95" (J) Poly Belt Arrangement



MAN0433

12-RIB 95" (J) POLY BELT ARRANGEMENT

Additional Parts Available

<u>Part No.</u>	<u>Description</u>
112027	"Water Washed Fabrics" Label
112039	"Black / White / Green Ground" Label
112040	"Lint Compartment" Label
112041	"Caution – Exhausted" Label
112530	"Program Location Summary" Coin Label
120100	3/8" Straight (BX) Connector
120300	3/8" x 45° (BX) Connector
120400	3/8" Red Jacket (BX) Insulator
120500	3/8" Jiffy Clip (BX retainer clip)
120600	3/8" Greenfield (BX)
120800	1/4" In-Line Connector
120802	Red Butt Connector
120902	#74B Wire Nut
120903	Crimp-On Wire Nut
121014	1/4" Insulated (female) Terminal
121499	5-1/2" Harness Tie
121500	8" Harness Tie
121503	Harness Tie Mounting Clip
122804	Manometer (water column test gauge)
880200	Electrical Terminal (assortment) Kit

