



AD-285 Parts Manual

1987 thru 1991

American Dryer Corporation
88 Currant Road
Fall River, MA 02720-4781
Telephone: (508) 678-9000 / Fax: (508) 678-9447
e-mail: techsupport@amdry.com
www.amdry.com

ADC Part No. 450085

Retain This Manual In A Safe Place For Future Reference

American Dryer Corporation products embody advanced concepts in engineering, design, and safety. If this product is properly maintained, it will provide many years of safe, efficient, and trouble free operation.

ONLY qualified technicians should service this equipment.

OBSERVE ALL SAFETY PRECAUTIONS displayed on the equipment or specified in the installation manual included with the dryer.

The following “**FOR YOUR SAFETY**” caution **must be** posted near the dryer in a prominent location.

FOR YOUR SAFETY

Do not store or use gasoline or other flammable vapors and liquids in the vicinity of this or any other appliance.

POUR VOTRE SÉCURITÉ

Ne pas entreposer ni utiliser d'essence ni d'autres vapeurs ou liquides inflammables à proximité de cet appareil ou de tout autre appareil.

We have tried to make this manual as complete as possible and hope you will find it useful. **ADC** reserves the right to make changes from time to time, without notice or obligation, in prices, specifications, colors, and material, and to change or discontinue models.

Important

For your convenience, log the following information:

DATE OF PURCHASE _____ **MODEL NO.** AD-285

RESELLER'S NAME _____

Serial Number(s) _____

Replacement parts can be obtained from your reseller or the **ADC** factory. When ordering replacement parts from the factory, you can FAX your order to **ADC** at (508) 678-9447 or telephone your order directly to the **ADC** Parts Department at (508) 678-9000. Please specify the dryer **model number** and **serial number** in addition to the **description** and **part number**, so that your order is processed accurately and promptly.

The illustrations on the following pages may not depict your particular dryer exactly. The illustrations are a composite of the various dryer models. Be sure to check the descriptions of the parts thoroughly before ordering.

“IMPORTANT NOTE TO PURCHASER”

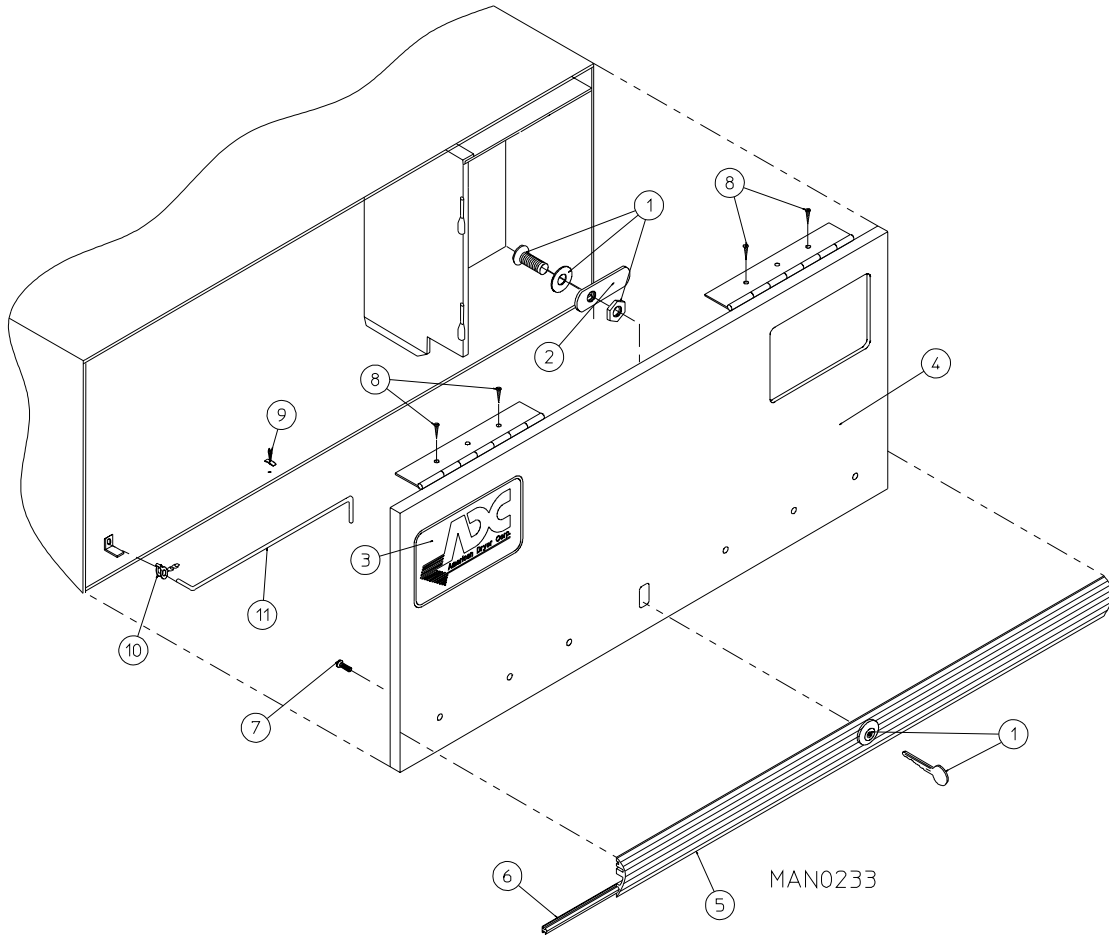
Information **must be** obtained from your local gas supplier on the instructions to be followed if the user smells gas. These instructions **must be** posted in a prominent location near the dryer.

Table of Contents

High Security Control Door Assembly	3
Phase 4.1 Single Coin Microprocessor Control Panel Assembly	
For Direct Spark Ignition (DSI) Models Only	4
Phase 4.1 Single Coin Microprocessor Control Box Assembly	
For Direct Spark Ignition (DSI) Models Only	5
Phase 4.1 Dual Coin Microprocessor Control Panel Assembly	
For Direct Spark Ignition (DSI) Models Only	6
Phase 4.1 Dual Coin Microprocessor Control Box Assembly	
For Direct Spark Ignition (DSI) Models Only	7
Phase 4 Single Coin Microprocessor Control Panel/Box Assemblies	
For Glo-Bar® Ignition Models Only	8, 9
Phase 4 Dual Coin Microprocessor Control Panel/Box Assemblies	
For Glo-Bar® Ignition Models Only	10, 11
Phase 4 OPL Microprocessor Control Panel Assembly	
For Direct Spark Ignition (DSI) Models Only	12
Phase 4 OPL Microprocessor Control Box Assembly	
For Direct Spark Ignition (DSI) Models Only	13
Phase 3 OPL Microprocessor Control Panel Assembly	
For Glo-Bar® Ignition Models Only	14
Phase 3 OPL Microprocessor Control Box Assembly	
For Glo-Bar® Ignition Models Only	15
Dual Timer Control Panel/Box Assemblies	
For Direct Spark Ignition (DSI) Models Only	16, 17
Dual Timer Control Panel/Box Assemblies	
For Glo-Bar® Ignition Models Only	18, 19
Non-Microprocessor Coin Control Panel/Box Assemblies	
For Direct Spark Ignition (DSI) and Glo-Bar® Ignition Models	20, 21
Coin Meter Replacement Parts	22
Coin Vault Assembly	23
Front Panel Assembly	
Latch-Type	24
Front Panel Assembly	
Magnet-Type	25
Main Door Assembly	
Latch-Type	26
Main Door Assembly	
Magnet-Type	27
Main Door Switch Assembly	
N.S. Series	28

Main Door Switch Assembly	
Plunger-Type	29
Drop Lint Door Assembly	30
Lint Trap Assembly	31
Basket (Tumbler)/Support Assembly	
Tapered Rib	
For Models Mfd. as of April 18, 1991	32
Basket (Tumbler)/Support Assembly	
Standard Rib	
For Models Mfd. prior to April 18, 1991	33
Basket (Tumbler) Bearing Assembly	34, 35
Idle Bearing Assembly	36, 37
Totally Enclosed, Fan-Cooled (T.E.F.C.) Motor Mount Assembly	
For 60 Hz Models with Tapered Ribs Only	38, 39
Totally Enclosed, Fan-Cooled (T.E.F.C.) Motor Mount Assembly	
For 60 Hz Models with Standard Ribs Only	40, 41
Totally Enclosed, Fan-Cooled (T.E.F.C.) Motor Mount Assembly	
For 50 Hz Models with Tapered and Standard Ribs	42, 43
Sensor Bracket Assemblies	44, 45
Direct Spark Ignition (DSI) Burner Assembly	46, 47
Hi/Lo Microprocessor Burner Assembly	
For Glo-Bar [®] Ignition Models Only	48, 49
Non-Microprocessor (Standard) Burner Assembly	
For Glo-Bar [®] Ignition Models Only	50, 51
Sail Switch/Hi-Limit Assembly	52, 53
Replacement Coil For 3/8" Hi/Lo Gas Valve	
For Glo-Bar [®] Ignition Models Only	54
Replacement Coil For 3/8" Non-Hi/Lo Gas Valve	
For Glo-Bar [®] Ignition Models Only	55
3-Phase (3Ø) Motor, Electric Relay Panel Assembly	
Telemecanique (208/230 VAC Controls)	56
3-Phase (3Ø) Motor, Electric Relay Panel Assembly	
Furnas (208/230 VAC Controls)	57
Control/Heat Step Down Transformer	
For Glo-Bar [®] Ignition Models Only	58
Outer Top/Back Guard Assembly	59
Additional Parts Available	60
Microprocessor Coin Acceptor Listing	61
Wiring Diagrams	62-83

High Security Control Door Assembly

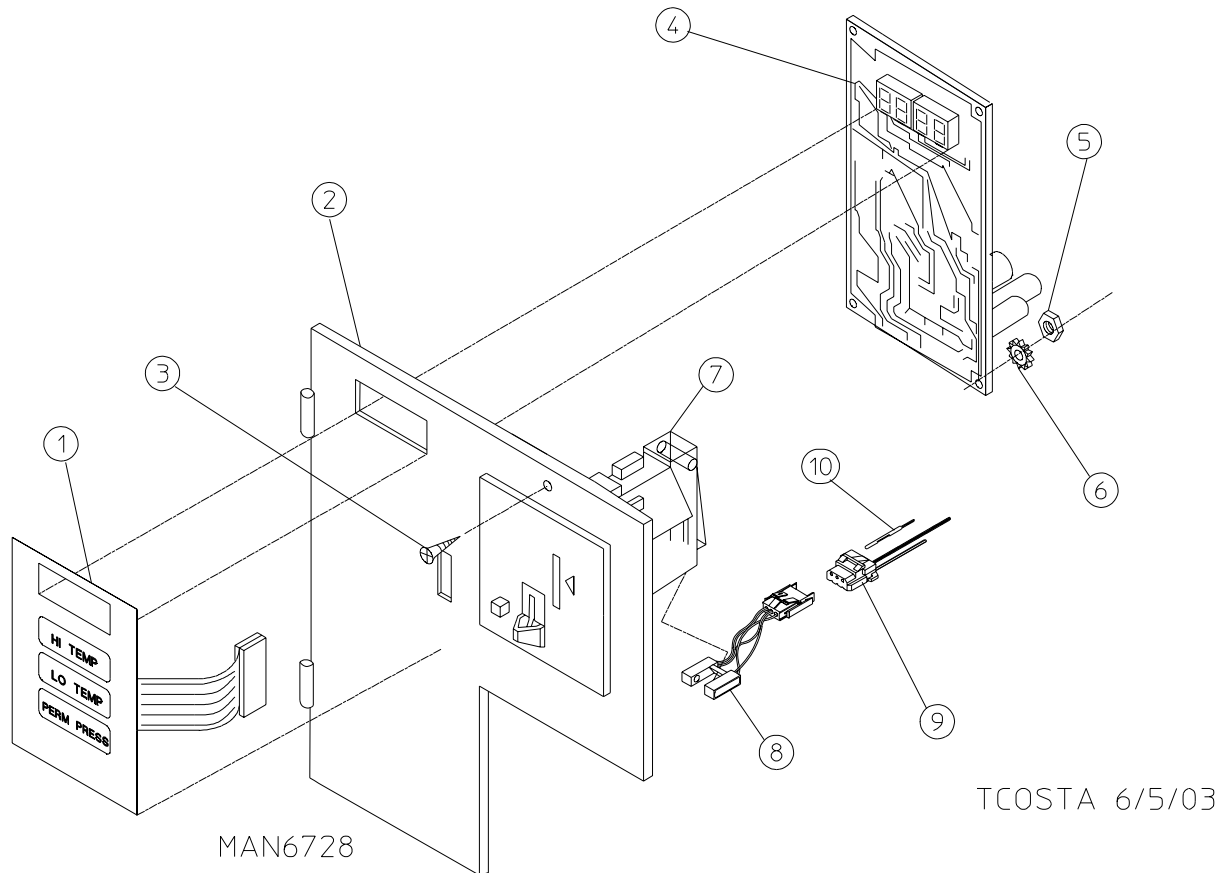


Illus. No.	Part No.	Qty.	Description
1	160015	1	High Security MK-100 Lock Assembly ONLY with Key
	160104	1	MK-100 Key ONLY
	160017	1	Special Dummy Lock (noncoin models Only)
2	160016	1	Lock Cam ONLY
3	112350	1	ADC Logo ONLY
	870011	1	Logo Double Tape Kit
4	800019*	1	High Security Control Door Assembly Complete (includes illus. nos. 4 through 7)
	800143	1	Stainless Steel High Security Control Door Assembly Complete (includes illus. nos. 4 through 7)
5	180203	1	Top Trim Strip with Lock Hole (28-3/8" length)
6	102307	3	Trim Bumper Gasket (sold by the foot)
7	150201	4	#10-32 x 1/4" Phillips Round Head Machine Screw
8	150415	4	#10-16 x 1/2" Phillips Round Head Crimptite Screw
9	102600	1	Control Door Support Rod Catch
10	102601	1	Control Door Rod Retainer Clip
11	102503	1	Control Door Support Rod

* Specify color when ordering.

Phase 4.1 Single Coin Microprocessor Control Panel Assembly

For Direct Spark Ignition (DSI) Models ONLY

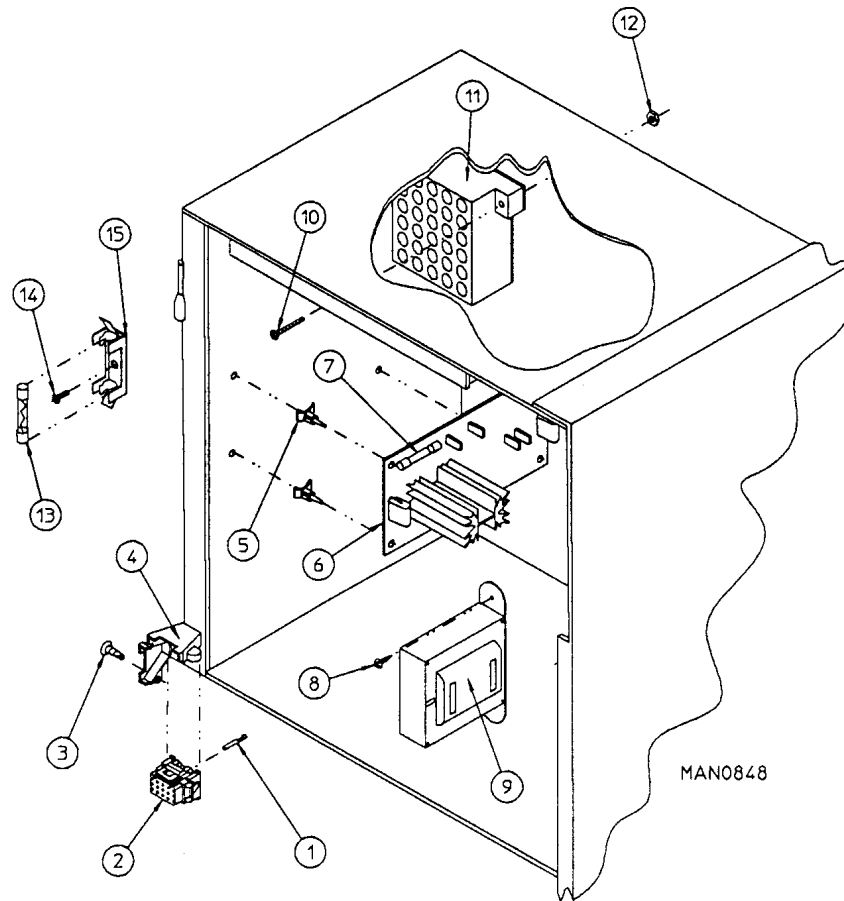


Illus. No.	Part No.	Qty.	Description
1	112526	1	Coin Keyboard Label Assembly
2	865098	1	Phase 4.1 Coin Control Panel Assembly (includes illus. nos. 1, 2, and 4 through 6)
	865099	1	Phase 4.1 Coin Control Panel Assembly with Battery Option (includes illus. nos. 1, 2, and 4 through 6)
	800040	1	Microprocessor Coin Control Panel ONLY
	800039	1	Microprocessor Coin Control Panel ONLY with Battery Bracket
3	150415	1	#10-16 x 1/2" Phillips Round Head Crimptite Screw
4	137130	1	Phase 4.1 Coin Microprocessor Controller ONLY
	137131	1	Phase 4.1 Coin Microprocessor Controller ONLY with Battery Clip
5	152001	4	#8-32 Hex Nut
6	153012	4	#8 Star Washer
7	-----	1	Microprocessor Single Coin Acceptor with Optical Switch (refer to Microprocessor Coin Acceptor Listing on page 61)
8	137056	1	Optical Switch ONLY
9	137023	1	Optical Switch Connector ONLY
10	137021	3	Microprocessor Socket ONLY
	865050	1	Single Coin Optical Switch Harness
---	122800	1	Microprocessor (female) Pin Extraction Tool...Not Illustrated

IMPORTANT: Check label on computer chip to verify correct part number for microprocessor controller.

Phase 4.1 Single Coin Microprocessor Control Box Assembly

For Direct Spark Ignition (DSI) Models ONLY

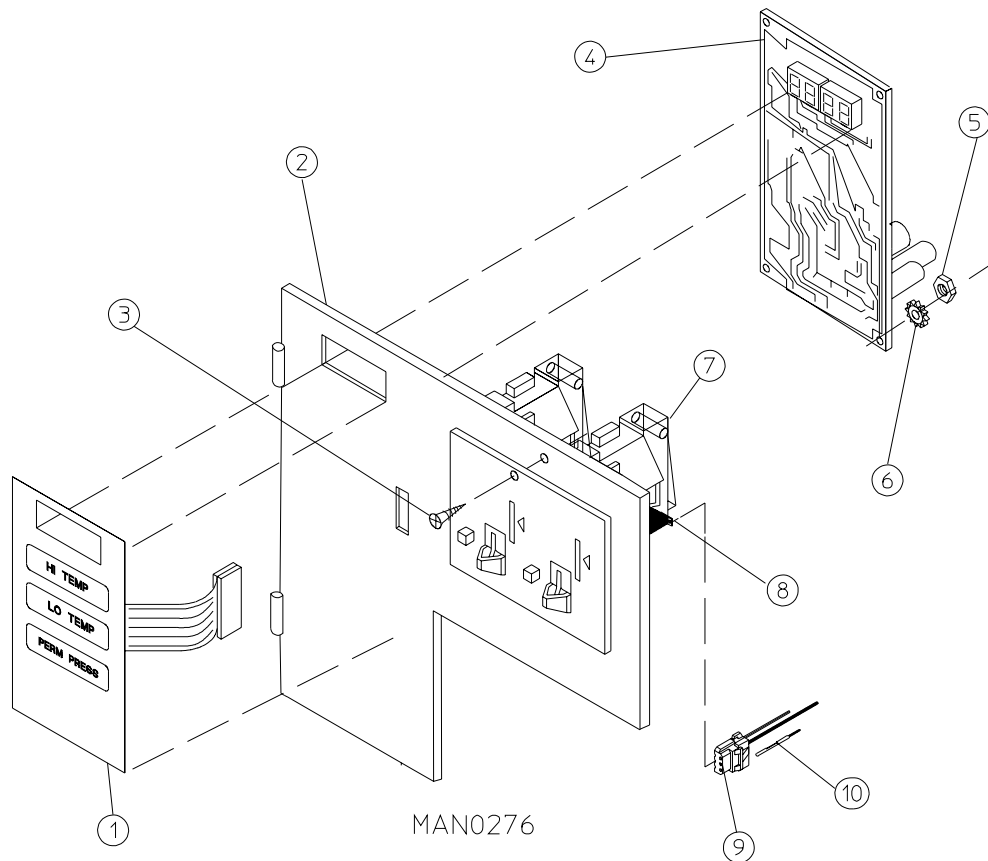


Illus. No.	Part No.	Qty.	Description
1	137021	12	Microprocessor Socket ONLY
2	137020	1	15-Pin Microprocessor Connector ONLY
	122800	1	Microprocessor (female) Pin Extraction Tool...Not Illustrated
3	150315	1	#6 x 3/8" Phillips Pan Head Screw
4	137022	1	15-Pin Strain Relief ONLY
5	137013	4	Nylon Standoff
6	137151	1	Motor Control Solid State Relay Board, 1 HP, 125 VAC - 250 VAC 1Ø 50/60 Hz
7	136057	*	1/2-amp (Slo-Blo) Fuse ONLY
	136052	*	4-amp Fuse ONLY
8	150300	2	#10-16 x 1/2" Hex Washer TEK Screw
9	141403	1	Direct Spark Ignition (DSI) 24 VAC Transformer (for gas models Only)
10	150002	2	#6-32 x 1" Round Head Machine Screw
11	120715	1	30-Position Terminal Block
12	151000	2	#6-32 Pal Nut
13	136057	*	1/2-amp (Slo-Blo) Fuse ONLY
14	150301	*	#8-18 x 7/16" Phillips Pan Head TEK Screw
15	136008	1	Fuse Block/Strip ONLY

* As required.

Phase 4.1 Dual Coin Microprocessor Control Panel Assembly

For Direct Spark Ignition (DSI) Models ONLY

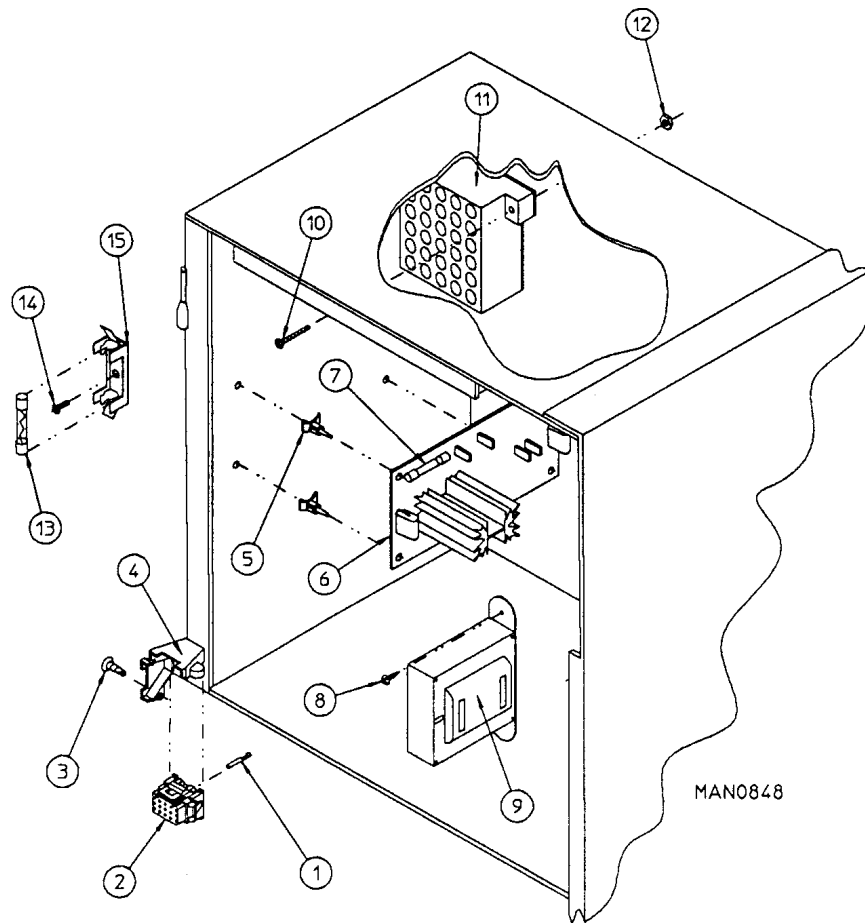


Illus. No.	Part No.	Qty.	Description
1	112526	1	Coin Keyboard Label Assembly
2	865098	1	Phase 4.1 Coin Control Panel Assembly (includes illus. nos. 1, 2, and 4 through 6)
	865099	1	Phase 4.1 Coin Control Panel Assembly with Battery Option (includes illus. nos. 1, 2, and 4 through 6)
	800040	1	Microprocessor Coin Control Panel ONLY
	800039	1	Microprocessor Coin Control Panel ONLY with Battery Bracket
3	150415	1	#10-16 x 1/2" Phillips Round Head Crimptite Screw
4	137130	1	Phase 4.1 Coin Microprocessor Controller ONLY
	137131	1	Phase 4.1 Coin Microprocessor Controller ONLY with Battery Clip
5	152001	4	#8-32 Hex Nut
6	153012	4	#8 Star Washer
7	-----	1	Microprocessor Dual Coin Acceptor with Optical Switch (refer to Microprocessor Coin Acceptor Listing on page 61)
8	137056	2	Optical Switch ONLY
9	137023	2	Optical Switch Connector ONLY
10	137021	6	Microprocessor Socket ONLY
	865050	1	Single Coin Optical Switch Harness
---	122800	1	Microprocessor (female) Pin Extraction Tool...Not Illustrated

IMPORTANT: Check label on computer chip to verify correct part number for microprocessor controller.

Phase 4.1 Dual Coin Microprocessor Control Box Assembly

For Direct Spark Ignition (DSI) Models ONLY

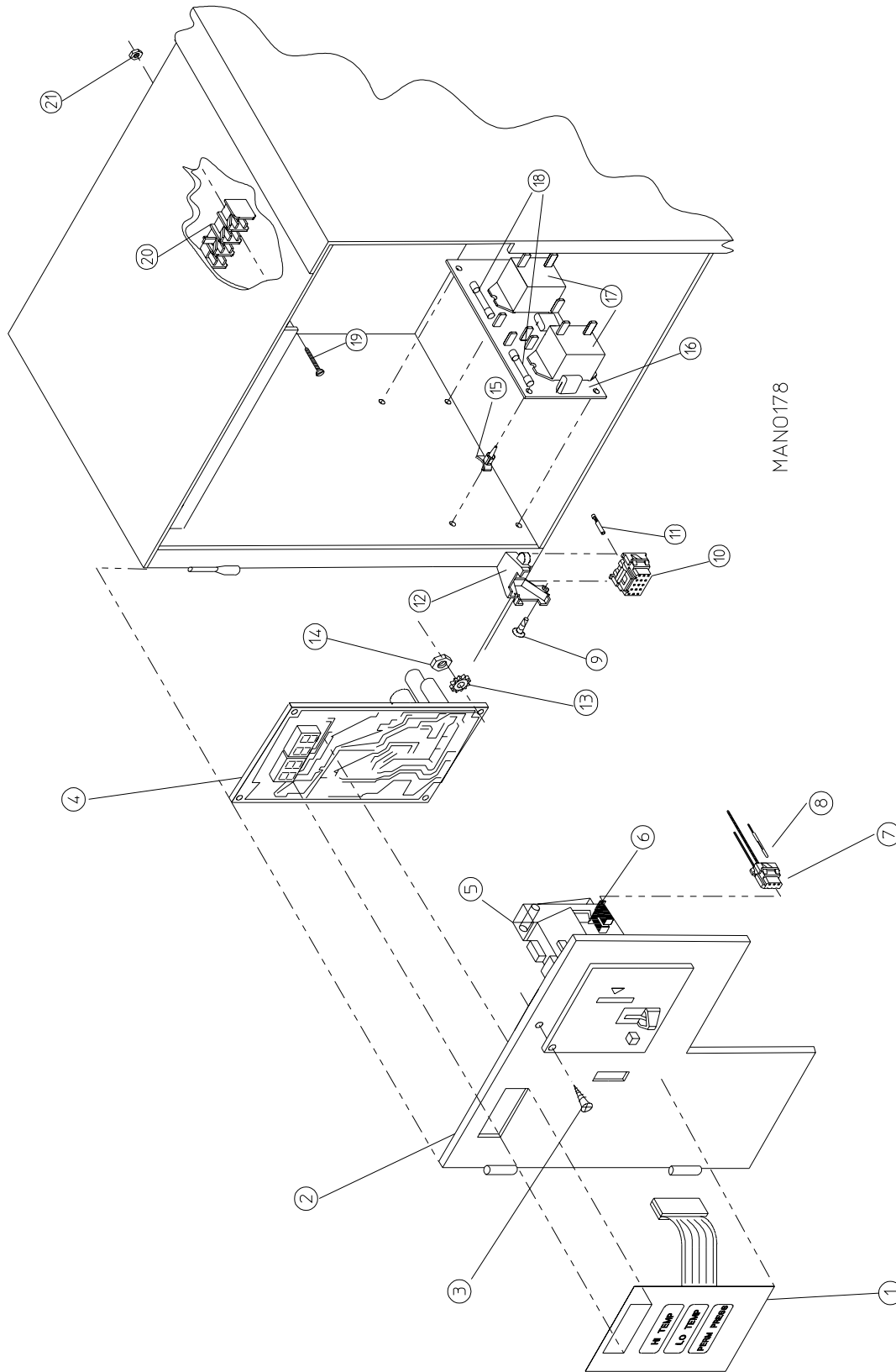


Illus. No.	Part No.	Qty.	Description
1	137021	12	Microprocessor Socket ONLY
2	137020	1	15-Pin Microprocessor Connector ONLY
	122800	1	Microprocessor (female) Pin Extraction Tool...Not Illustrated
3	150315	1	#6 x 3/8" Phillips Pan Head Screw
4	137022	1	15-Pin Strain Relief ONLY
5	137013	4	Nylon Standoff
6	137151	1	Motor Control Solid State Relay Board, 1 HP, 125 VAC - 250 VAC 1Ø 50/60 Hz
7	136057	*	1/2-amp (Slo-Blo) Fuse ONLY
	136052	*	4-amp Fuse ONLY
8	150300	2	#10 x 1/2" Hex Washer TEK Screw
9	141403	1	Direct Spark Ignition (DSI) 24VAC Transformer (for gas models Only)
10	150002	2	#6-32 x 1" Round Head Machine Screw
11	120715	1	30-Position Terminal Block
12	151000	2	#6-32 Pal Nut
13	136057	*	1/2-amp (Slo-Blo) Fuse ONLY
14	150301	*	#8-18 x 7/16" Phillips Pan Head TEK Screw
15	136008	1	Fuse Block/Strip ONLY

* As required.

Phase 4 Single Coin Microprocessor Control Panel/Box Assemblies

For Glo-Bar® Ignition Models ONLY



Phase 4 Single Coin Microprocessor Control Panel/Box Assemblies

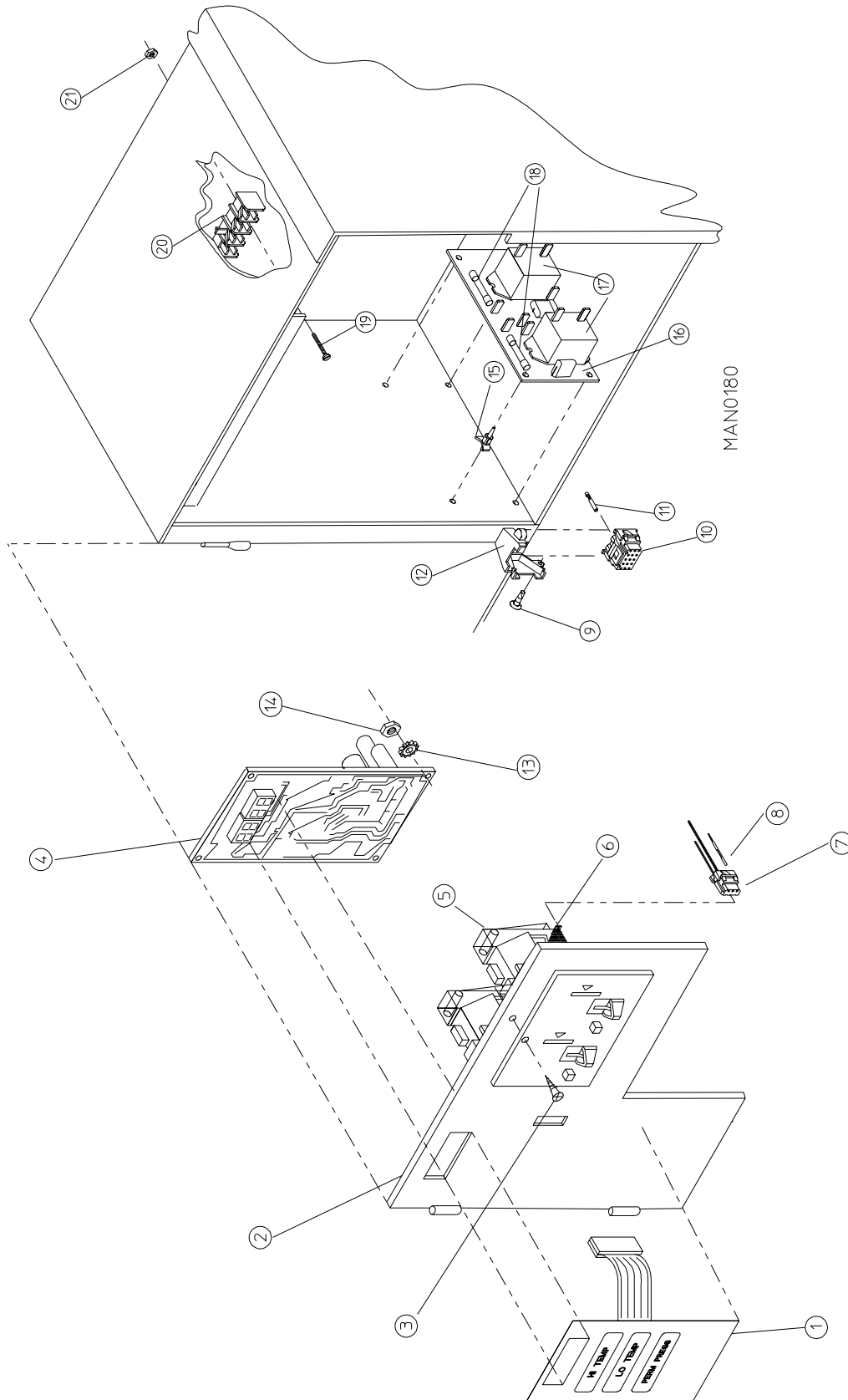
For Glo-Bar® Ignition Models ONLY

<u>Illus. No.</u>	<u>Part No.</u>	<u>Qty.</u>	<u>Description</u>
1	112526	1	Coin Keyboard Label Assembly
2	800088	1	Phase 4 Coin Microprocessor Control Panel Assembly (includes illus. nos. 1, 2, 4, 13, and 14)
	800168	1	Phase 4 Coin Microprocessor Control Panel Assembly with Battery Option (includes illus. nos. 1, 2, 4, 13, and 14)
	800040	1	Microprocessor Coin Control Panel ONLY
	800039	1	Microprocessor Coin Control Panel ONLY with Battery Bracket
3	150415	1	#10-16 x 1/2" Phillips Round Head Crimptite Screw
4	137110	1	Phase 4 Coin Microprocessor Controller ONLY
	137115	1	Phase 4 Coin Microprocessor Controller ONLY with Battery Clip
5	-----	1	Microprocessor Single Coin Acceptor with Optical Switch (refer to Microprocessor Coin Acceptor Listing on page 61)
6	137056	1	Optical Switch ONLY
7	137023	1	Optical Switch Connector ONLY
8	137021	3	Microprocessor Socket ONLY
	865050	1	Single Coin Optical Switch Harness
9	150315	1	#6 x 3/8" Phillips Pan Head Screw
10	137020	1	15-Pin Microprocessor Connector ONLY
11	137021	14	Microprocessor Socket ONLY
	122800	1	Microprocessor (female) Pin Extraction Tool...Not Illustrated
12	137022	1	15-Pin Strain Relief ONLY
13	153012	4	#8 Star Washer
14	152001	4	#8-32 Hex Nut
15	137013	4	Nylon Standoff
16	137077	1	Arc Suppressor (A.S.) Board with Relays (115 VAC)
	137061	1	Arc Suppressor (A.S.) Board ONLY without Relays
	137150	1	Solid State Relay Board ONLY (for 115 volt application Only)
17	137151	2	Motor Control Solid State Relay Board, 1 HP, 125 VAC-250 VAC 1Ø 50/60 Hz
18	136052	2	4-amp Fuse ONLY
19	150002	2	#6-32 x 1" Round Head Machine Screw
20	120709	1	Terminal Strip (8-position)
21	151000	2	#6-32 Pal Nut

IMPORTANT: Check label on computer chip to verify correct part number for microprocessor controller.

Phase 4 Dual Coin Microprocessor Control Panel/Box Assemblies

For Glo-Bar® Ignition Models ONLY



Phase 4 Dual Coin Microprocessor Control Panel/Box Assemblies

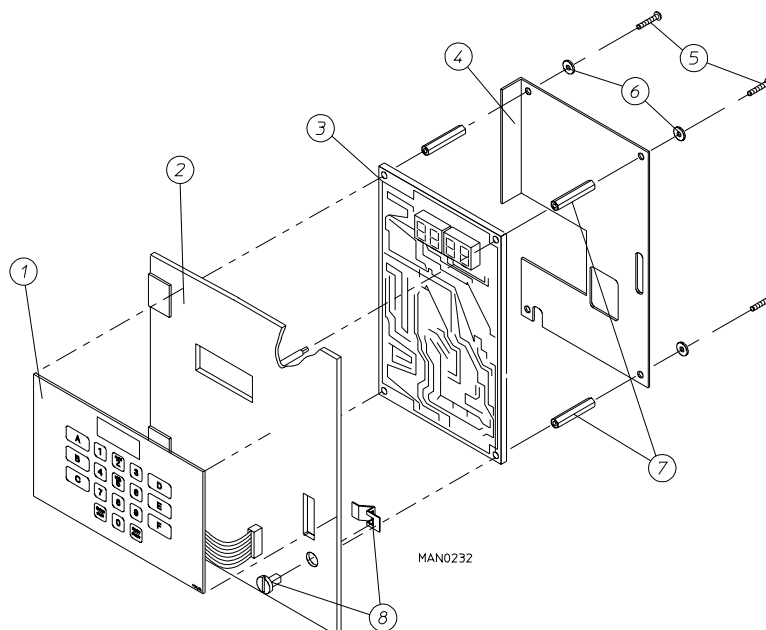
For Glo-Bar® Ignition Models ONLY

<u>Illus. No.</u>	<u>Part No.</u>	<u>Qty.</u>	<u>Description</u>
1	112526	1	Coin Keyboard Label Assembly
2	800088	1	Phase 4 Coin Microprocessor Control Panel Assembly (includes illus. nos. 1, 2, 4, 13, and 14)
	800168	1	Phase 4 Coin Microprocessor Control Panel Assembly with Battery Option (includes illus. nos. 1, 2, 4, 13, and 14)
	800040	1	Microprocessor Coin Control Panel ONLY
	800039	1	Microprocessor Coin Control Panel ONLY with Battery Bracket
3	150415	1	#10-16 x 1/2" Phillips Round Head Crimptite Screw
4	137110	1	Phase 4 Coin Microprocessor Controller ONLY
	137115	1	Phase 4 Coin Microprocessor Controller ONLY with Battery Clip
5	-----	1	Microprocessor Single Coin Acceptor with Optical Switch (refer to Microprocessor Coin Acceptor Listing on page 61)
6	137056	1	Optical Switch ONLY
7	137023	1	Optical Switch Connector ONLY
8	137021	3	Microprocessor Socket ONLY
	865051	1	Dual Coin Optical Switch Harness
9	150315	1	#6 x 3/8" Phillips Pan Head Screw
10	137020	1	15-Pin Microprocessor Connector ONLY
11	137021	14	Microprocessor Socket ONLY
	122800	1	Microprocessor (female) Pin Extraction Tool...Not Illustrated
12	137022	1	15-Pin Strain Relief ONLY
13	153012	4	#8 Star Washer
14	152001	4	#8-32 Hex Nut
15	137013	4	Nylon Standoff
16	137077	1	Arc Suppressor (A.S.) Board with Relays (115 VAC)
	137061	1	Arc Suppressor (A.S.) Board ONLY without Relays
	137150	1	Solid State Relay Board ONLY (for 115 volt application Only)
17	137151	2	Motor Control Solid State Relay Board, 1 HP, 125 VAC-250 VAC 1Ø 50/60 Hz
18	136052	2	4-amp Fuse ONLY
19	150002	2	#6-32 x 1" Round Head Machine Screw
20	120709	1	Terminal Strip (8-position)
21	151000	2	#6-32 Pal Nut

IMPORTANT: Check label on computer chip to verify correct part number for microprocessor controller.

Phase 4 OPL Microprocessor Control Panel Assembly

For Direct Spark Ignition (DSI) Models ONLY



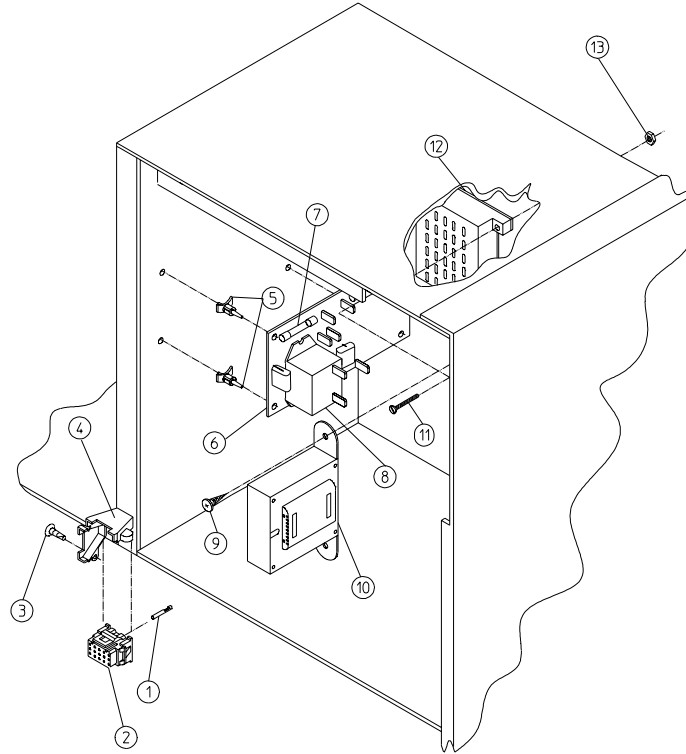
<u>Illus. No.</u>	<u>Part No.</u>	<u>Qty.</u>	<u>Description</u>
1	112535	1	OPL English Keyboard Label Assembly
	112276	1	OPL Stick-On Labels (English Only)...Not Illustrated
	112275	1	OPL Stick-On Labels (Spanish, Italian, and Hebrew)...Not Illustrated
	112277	1	3-Language OPL Stick-On Labels (English, Spanish, and Hebrew)...Not Illustrated
	112278	1	5-Language OPL Stick-On Labels (Italian, Dutch, French, German, and Chinese)...Not Illustrated
2	800057	1	Microprocessor Control Panel ONLY
	800164	1	Microprocessor Control Panel ONLY with Battery Bracket
	800171	1	Phase 4 OPL Non-Reversing Microprocessor Control Panel Assembly Complete (includes illus. nos. 1 through 8)
	865095	1	Phase 4 OPL Non-Reversing Microprocessor Control Panel Assembly Complete with Battery Option (includes illus. nos. 1 through 8)
3	137125	1	Phase 4 OPL Non-Reversing Microprocessor Controller ONLY
	137126	1	Phase 4 OPL Non-Reversing Microprocessor Controller ONLY with Battery Clip
4*	306052	1	Electrostatic Shield ONLY
5	150108*	4	#8-32 x 1/2" Pan Head Machine Screw
	152001	4	#8-32 Hex Nut
6*	153000	4	#8 Steel Burr
7*	137011	4	8-32" Aluminum Standoff
8	160005	1	Spring Turn Latch (2-piece)

IMPORTANT: Check label on computer chip to verify correct part number for microprocessor controller.

* Used on gas dryer models with the Direct Spark Ignition (DSI) system mfd. prior to March 13, 1989.

Phase 4 OPL Microprocessor Control Box Assembly

For Direct Spark Ignition (DSI) Models ONLY



MAN0219

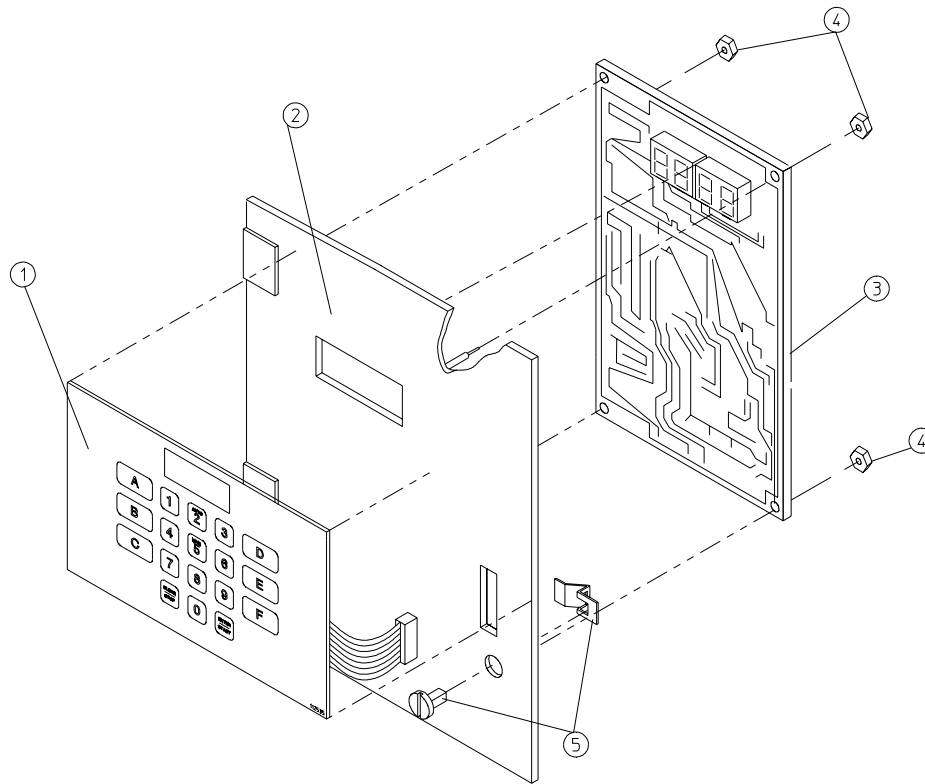
<u>Illus. No.</u>	<u>Part No.</u>	<u>Qty.</u>	<u>Description</u>
1	137021	12*	Microprocessor Socket ONLY
2	137020	1	15-Pin Microprocessor Connector ONLY
	122800	1	Microprocessor (female) Pin Extraction Tool...Not Illustrated
3	150315	1	#6 x 3/8" Phillips Pan Head Screw
4	137022	1	15-Pin Strain Relief ONLY
5	137013	4	Nylon Standoff
6	137076	1	Arc Suppressor (A.S.) Board with Relay (115 volt controls Only)
	137078	1	Arc Suppressor (A.S.) Board with Relay (208/230 volt controls Only)
	137061	1	Arc Suppressor (A.S.) Board ONLY without Relay
	137151	1	Motor Control Solid State Relay Board, 1 HP, 125 VAC - 250 VAC 1Ø 50/60 Hz
7	136052	1**	4-amp Fuse ONLY
8	131916	1	Electromechanical Relay ONLY (115 VAC)
	131930	1	Electromechanical Relay ONLY (208/230 VAC)
9	150300	2	#10-16 x 1/2" Hex Washer TEK Screw
10	141403	1	Direct Spark Ignition (DSI) 24 VAC Transformer (for gas models Only)
11	150002	2	#6-32 x 1" Round Head Machine Screw
12	120715	1	30-Position Terminal Block
	120709	1	Terminal Strip (8-position)
13	151000	2	#6-32 Pal Nut

* Some models require a quantity of 14.

** Some models require a quantity of 2.

Phase 3 OPL Microprocessor Control Panel Assembly

For Glo-Bar® Ignition Models ONLY



MAN0175

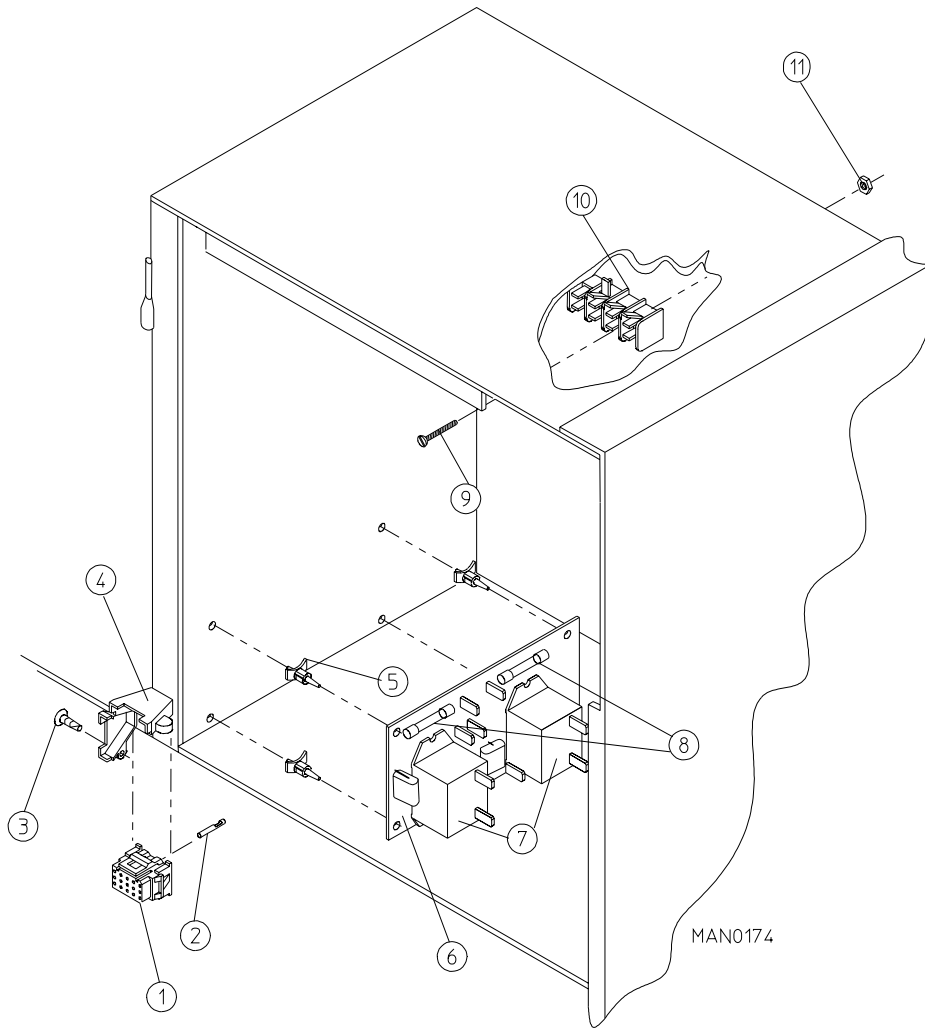
<u>Illus. No.</u>	<u>Part No.</u>	<u>Qty.</u>	<u>Description</u>
1	112535	1	OPL English Keyboard Label Assembly
	112276	1	OPL Stick-On Labels (English Only)...Not Illustrated
	112275	1	OPL Stick-On Labels (Spanish, Italian, and Hebrew)...Not Illustrated
	112277	1	3-Language OPL Stick-On Labels (English, Spanish, and Hebrew)...Not Illustrated
	112278	1	5-Language OPL Stick-On Labels (Italian, Dutch, French, German, and Chinese)...Not Illustrated
2	800057	1	Microprocessor Control Panel ONLY
	800164	1	Microprocessor Control Panel ONLY with Battery Bracket
	800161	1	Phase 3 OPL Non-Reversing Microprocessor Control Panel Assembly Complete (includes illus. nos. 1 through 5)
	800163	1	Phase 3 OPL Non-Reversing Microprocessor Control Panel Assembly Complete with Battery Option (includes illus. nos. 1 through 5)
3	137092	1	Phase 3 OPL Non-Reversing Microprocessor Controller ONLY
	137093	1	Phase 3 OPL Non-Reversing Microprocessor Controller ONLY with Battery Clip
4	152001	4	#8-32 Hex Nut
5	160005	1	Spring Turn Latch (2-piece)

IMPORTANT: Check label on computer chip to verify correct part number for microprocessor controller.

NOTE: OPL microprocessor controllers listed are suitable for **ALL** voltage applications.

Phase 3 OPL Microprocessor Control Box Assembly

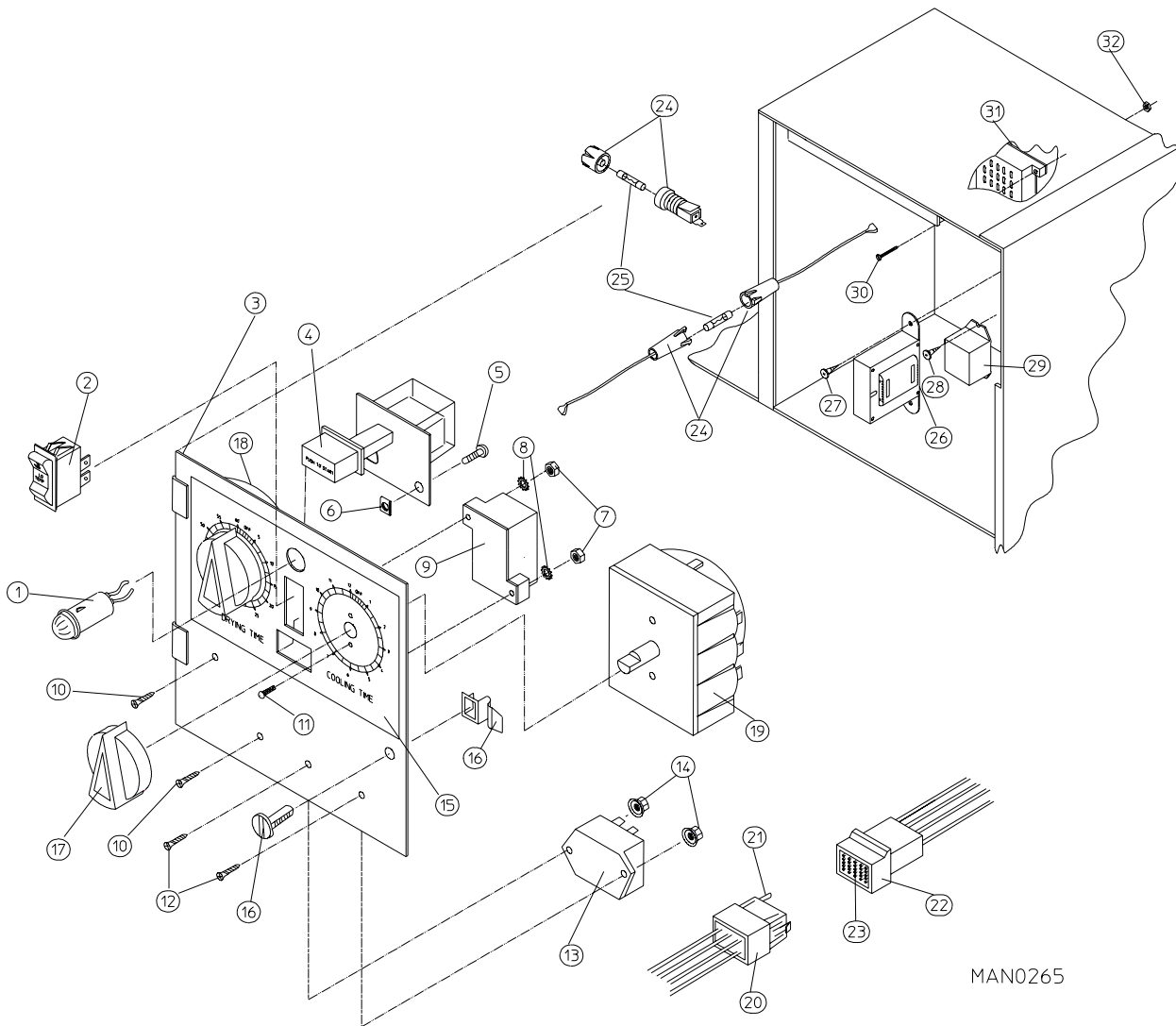
For Glo-Bar® Ignition Models ONLY



<u>Illus. No.</u>	<u>Part No.</u>	<u>Qty.</u>	<u>Description</u>
1	137020	1	15-Pin Microprocessor Connector ONLY
2	137021	13	Microprocessor Socket ONLY
	122800	1	Microprocessor (female) Pin Extraction Tool...Not Illustrated
3	150315	1	#6 x 3/8" Phillips Pan Head Screw
4	137022	1	15-Pin Strain Relief ONLY
5	137013	4	Nylon Standoff
6	137077	1	Arc Suppressor (A.S.) Board with Relays (115 volt controls Only)
	137061	1	Arc Suppressor (A.S.) Board ONLY without Relays
	137150	1	Solid State Relay (115 volt application Only)
	137151	1	Motor Control Solid State Relay Board, 1 HP, 125 VAC - 250 VAC 1Ø 50/60 Hz
7	131916	2	Electromechanical Relay ONLY (115 VAC)
8	136052	2	4-amp Fuse ONLY
9	150002	2	#6-32 x 1" Round Head Machine Screw
10	120709	1	Terminal Strip (8-position)
11	151000	2	#6-32 Pal Nut

Dual Timer Control Panel/Box Assemblies

For Direct Spark Ignition (DSI) Models ONLY



MAN0265

<u>Illus. No.</u>	<u>Part No.</u>	<u>Qty.</u>	<u>Description</u>
1	123000	1	Red Indicator Light (115 volt)
	123001	1	Red Indicator Light (230 volt)
2	122400	1	Rocker Heat Selector Switch
3	865550	1	Dual Timer Control Panel Assembly Complete 115 VAC (includes illus. nos. 1 through 21)
	865551	1	Dual Timer Control Panel Assembly Complete 230 VAC (includes illus. nos. 1 through 21)
	800051	1	Dual Timer Control Panel ONLY
4	131812	1	Push-To-Start Relay (115 volt)
	131813	1	Push-To-Start Relay (230 volt)
5	150207	2	#10-24 x 1/2" Round Head Machine Screw

Dual Timer Control Panel/Box Assemblies (continued)

For Direct Spark Ignition (DSI) Models ONLY

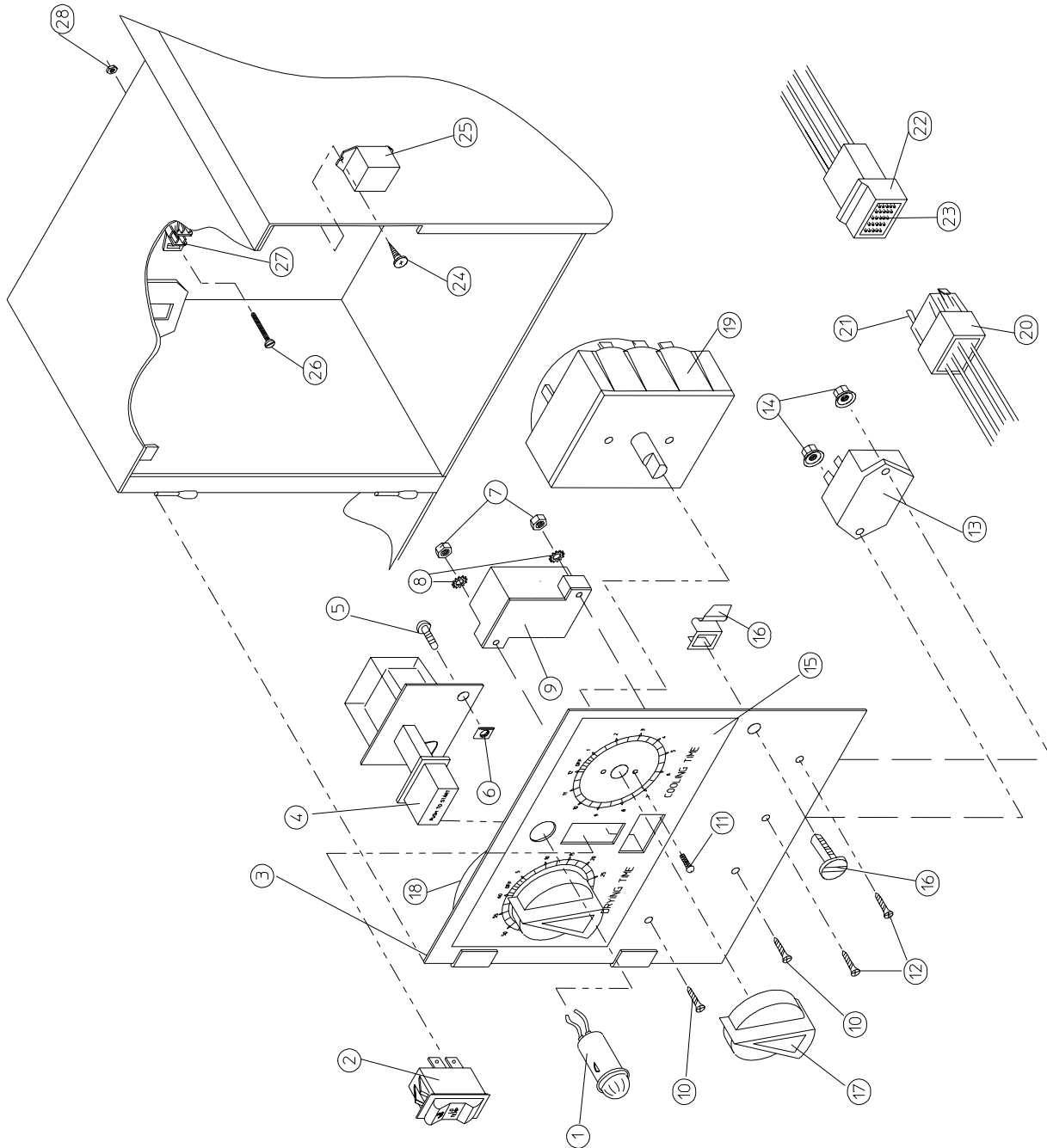
<u>Illus. No.</u>	<u>Part No.</u>	<u>Qty.</u>	<u>Description</u>
6	154001	2	#10-24 Speed Nut
7	152013	2	#6-32 Hex Nut
8	153010	2	#6 Star Washer
9	120708	1	3-Position Terminal Block
	120713	1	18-Position Terminal Block
10	150002	2	#6-32 x 1" Round Head Machine Screw
11	150110	4	#8-32 x 1/4" Phillips Head Machine Screw
12	150001	2	#6-32 x 1/2" Round Head Machine Screw
13	131030	1	Dual Timer Relay (115 volt)
	131031	1	Dual Timer Relay (230 volt)
14	151000	2	#6-32 Pal Nut
15	112050	1	Dual Timer Label ONLY
16	160005	1	Spring Turn Latch (2-piece)
17	124103	2	Arrow Timer Knob ONLY
18	124020	1	60 Minute Timer (115 volt)
	124021	1	60 Minute Timer (230 volt)
19	124022	1	15 Minute Timer (115 volt)
	124023	1	15 Minute Timer (230 volt)
20	122602	1	9-Pin Connector ONLY
21	122700	9	Pin Terminal ONLY
22	122603	1	9-Pin Socket Connector ONLY
23	122701	9	Socket Terminal ONLY
	122801	1	Pin/Socket Extraction Tool...Not Illustrated
24	136002*	1	Panel Mount Fuse Holder Assembly ONLY
	875250*	1	In-Line Fuse Holder Assembly ONLY
25**	136052	1	4-amp Fuse ONLY
	136054	1	15-amp (Slo-Blo) Fuse ONLY
	136056	1	20-amp (Slo-Blo) Fuse ONLY
26	141403	1	Direct Spark Ignition (DSI) 24 VAC Transformer
27	150300	2	#10-16 x 1/2" Hex Washer TEK Screw
28	150415	2	#10-16 x 1/2" Phillips Round Head Crimptite Screw
29	131814	1	Motor Control Relay ONLY (115 volt)
	131815	1	Motor Control Relay ONLY (230 volt)
30	150002	2	#6-32 x 1" Round Head Machine Screw
31	120715	1	30-Position Terminal Block
	120709	1	Terminal Strip (8-position)
32	151000	2	#6-32 Pal Nut

* Model application varies.

** Check fuse rating for verification.

Dual Timer Control Panel/Box Assemblies

For Glo-Bar® Ignition Models ONLY



MAN0181

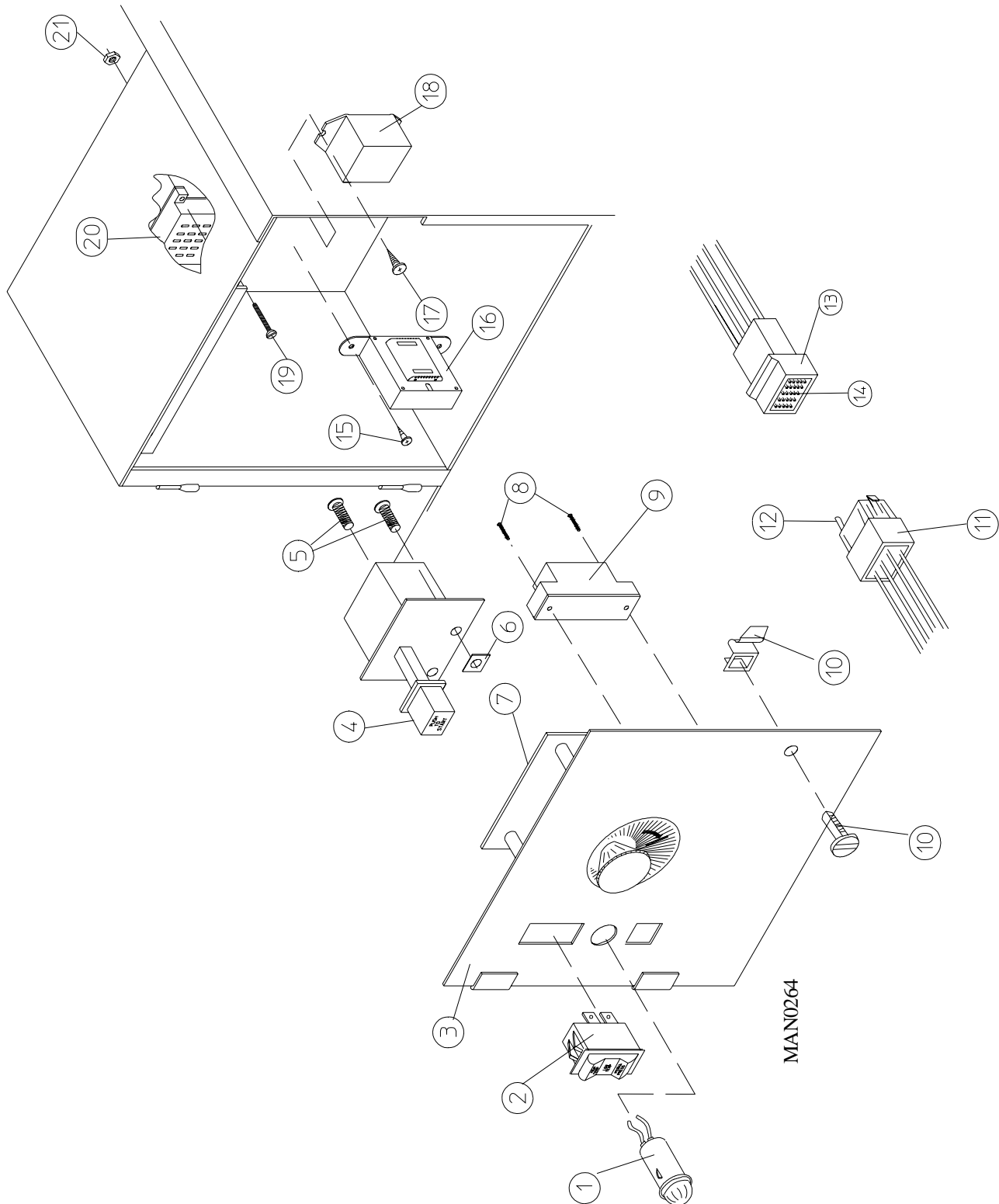
Dual Timer Control Panel/Box Assemblies

For Glo-Bar® Ignition Models ONLY

<u>Illus. No.</u>	<u>Part No.</u>	<u>Qty.</u>	<u>Description</u>
1	123000	1	Red Indicator Light (115 volt)
	123001	1	Red Indicator Light (230 volt)
2	122400	1	Rocker Heat Selector Switch
3	865550	1	Dual Timer Control Panel Assembly Complete 115 VAC (includes illus. nos. 1 through 21)
	865551	1	Dual Timer Control Panel Assembly Complete 230 VAC (includes illus. nos. 1 through 21)
	800051	1	Dual Timer Control Panel ONLY
4	131812	1	Push-To-Start Relay (115 volt)
	131813	1	Push-To-Start Relay (230 volt)
5	150207	2	#10-24 x 1/2" Round Head Machine Screw
6	154001	2	#10-24 Speed Nut
7	152013	2	#6-32 Hex Nut
8	153010	2	#6 Star Washer
9	120708	1	3-Position Terminal Block
	120713	1	18-Position Terminal Block
10	150002	2	#6-32 x 1" Round Head Machine Screw
11	150110	4	#8-32 x 1/4" Phillips Head Machine Screw
12	150001	2	#6-32 x 1/2" Round Head Machine Screw
13	131030	1	Dual Timer Relay (115 volt)
	131031	1	Dual Timer Relay (230 volt)
14	151000	2	#6-32 Pal Nut
15	112050	1	Dual Timer Label ONLY
16	160005	1	Spring Turn Latch (2-piece)
17	124103	2	Arrow Timer Knob ONLY
18	124020	1	60 Minute Timer (115 volt)
	124021	1	60 Minute Timer (230 volt)
19	124022	1	15 Minute Timer (115 volt)
	124023	1	15 Minute Timer (230 volt)
20	122602	1	9-Pin Connector ONLY
21	122700	9	Pin Terminal ONLY
22	122603	1	9-Pin Socket Connector ONLY
23	122701	9	Socket Terminal ONLY
	122801	1	Pin/Socket Extraction Tool...Not Illustrated
24	150415	2	#10-16 x 1/2" Phillips Round Head CrimpTite Screw
25	131814	1	Motor Control Relay ONLY (115 volt)
	131815	1	Motor Control Relay ONLY (230 volt)
26	150002	2	#6-32 x 1" Round Head Machine Screw
27	120709	1	Terminal Strip (8-position)
28	151000	2	#6-32 Pal Nut

Non-Microprocessor Coin Control Panel/Box Assemblies

For Direct Spark Ignition (DSI) and Glo-Bar® Ignition Models



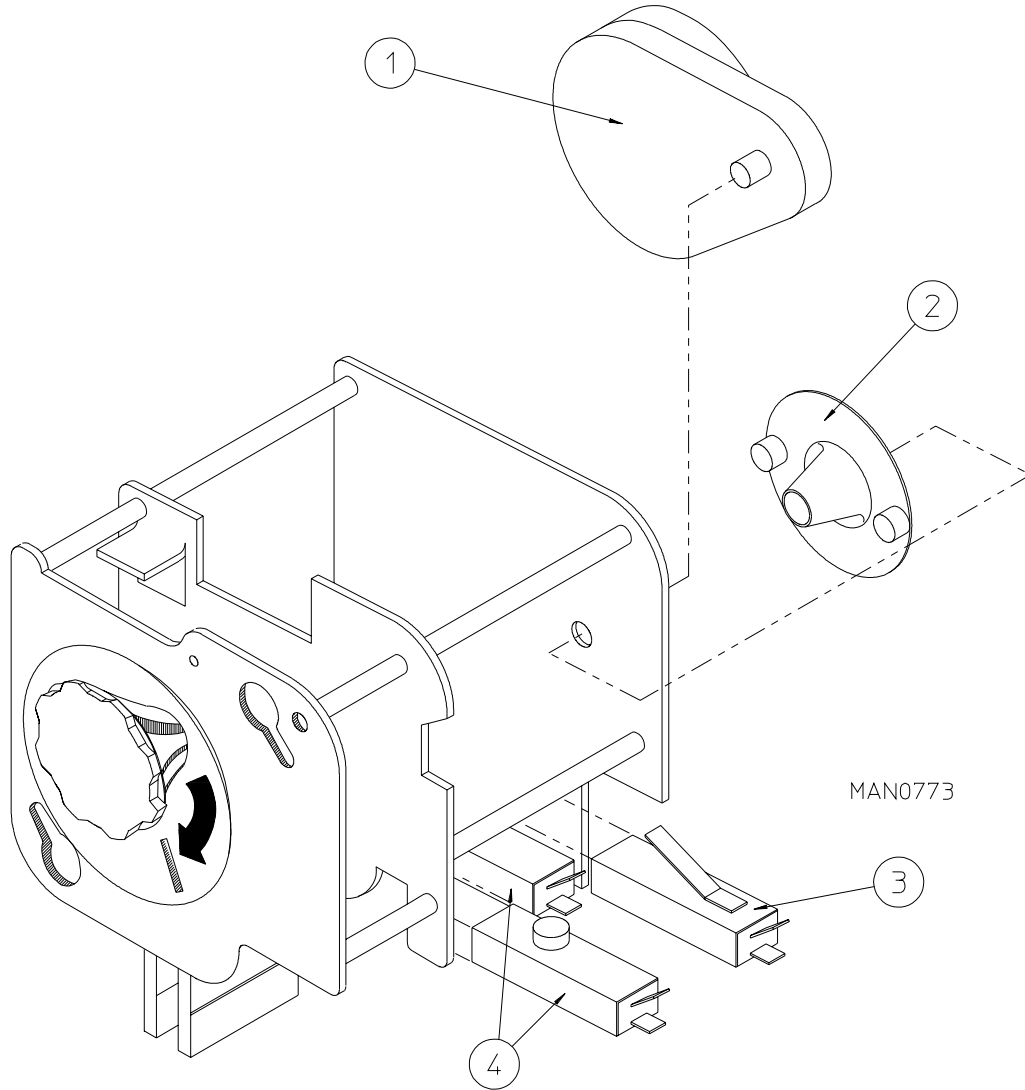
Non-Microprocessor Coin Control Panel/Box Assemblies

For Direct Spark Ignition (DSI) and Glo-Bar® Ignition Models

<u>Illus. No.</u>	<u>Part No.</u>	<u>Qty.</u>	<u>Description</u>
1	123000	1	Red Indicator Light (115 volt)
	123001	1	Red Indicator Light (230 volt)
2	122400	1	Rocker Heat Selector Switch
3	800070	1	Coin Meter Control Panel Assembly Complete 115 VAC (includes illus. nos. 1 through 6 and 8 through 12)
	800071	1	Coin Meter Control Panel Assembly Complete 230 VAC (includes illus. nos. 1 through 6 and 8 through 12)
	800052	1	Coin Meter Control Panel ONLY
4	131812	1	Push-To-Start Relay (115 volt)
	131813	1	Push-To-Start Relay (230 volt)
5	150207	2	#10-24 x 1/2" Round Head Machine Screw
6	154001	2	#10-24 Speed Nut
7*	125000	1	25¢ 115 Volt Meter (specify timing)
	125003	1	25¢ 230 Volt Meter (specify timing)
8	150303	2	#4 x 3/4" Pan Head "A" Screw
9	120713	1	18-Position Terminal Block (for models mfd. as of May 15, 1989)
	120707	1	Terminal Strip (2-position) (for models mfd. prior to May 15, 1989)
10	160005	1	Spring Turn Latch (2-piece)
11	122602	1	9-Pin Connector ONLY
12	122700	9	Pin Terminal ONLY
13	122603	1	9-Pin Socket Connector ONLY
14	122701	9	Socket Terminal ONLY
	122801	1	Pin/Socket Extraction Tool...Not Illustrated
15	150300	2	#10-16 x 1/2" Hex Washer TEK Screw
16	141403	1	Direct Spark Ignition (DSI) 24 VAC Transformer (for Direct Spark Ignition [DSI] models Only)
17	150415	2	#10-16 x 1/2" Phillips Round Head Crimptite Screw
18	131814	1	Motor Control Relay ONLY (115 volt)
	131815	1	Motor Control Relay ONLY (230 volt)
19	150002	2	#6-32 x 1" Round Head Machine Screw
20	120715	1	30-Position Terminal Block (for Direct Spark Ignition [DSI] models Only)
	120709	1	Terminal Strip (8-position)
21	151000	2	#6-32 Pal Nut

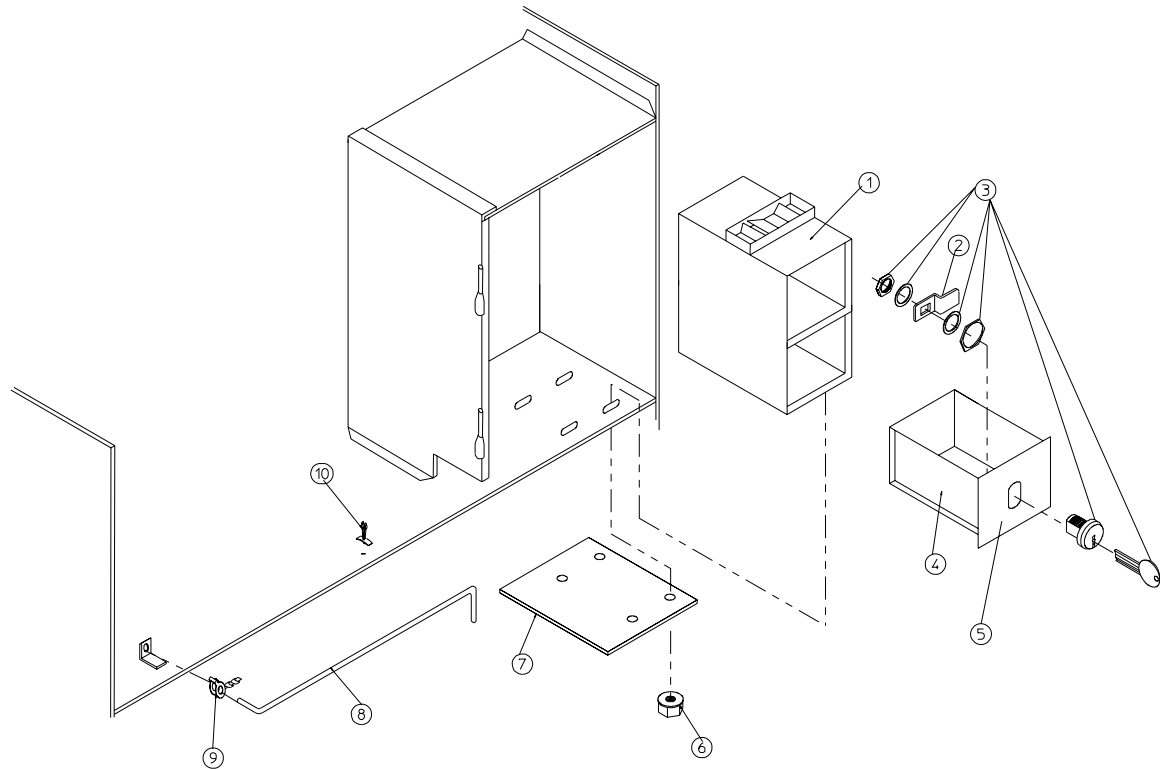
* Consult factory for coin meters not listed.

Coin Meter Replacement Parts



<u>Illus. No.</u>	<u>Part No.</u>	<u>Qty.</u>	<u>Description</u>
1	125511	1	1/60 RPM 115 Volt 60 Hz Meter Motor
	125532	1	1/60 RPM 230 Volt 60 Hz Meter Motor
	125512	1	1/60 RPM 240 Volt 50 Hz Meter Motor
	125513	1	1/30 RPM 240 Volt 50 Hz Meter Motor
2	125500	1	2-Point Cam
	125501	1	3-Point Cam
	125502	1	4-Point Cam
	125503	1	5-Point Cam
	125504	1	6-Point Cam
	125506	1	8-Point Cam
	125507	1	9-Point Cam
	125508	1	10-Point Cam
	125510	1	12-Point Cam
	3	125515	1
4	125516	2	Master Switch "A" or "C"

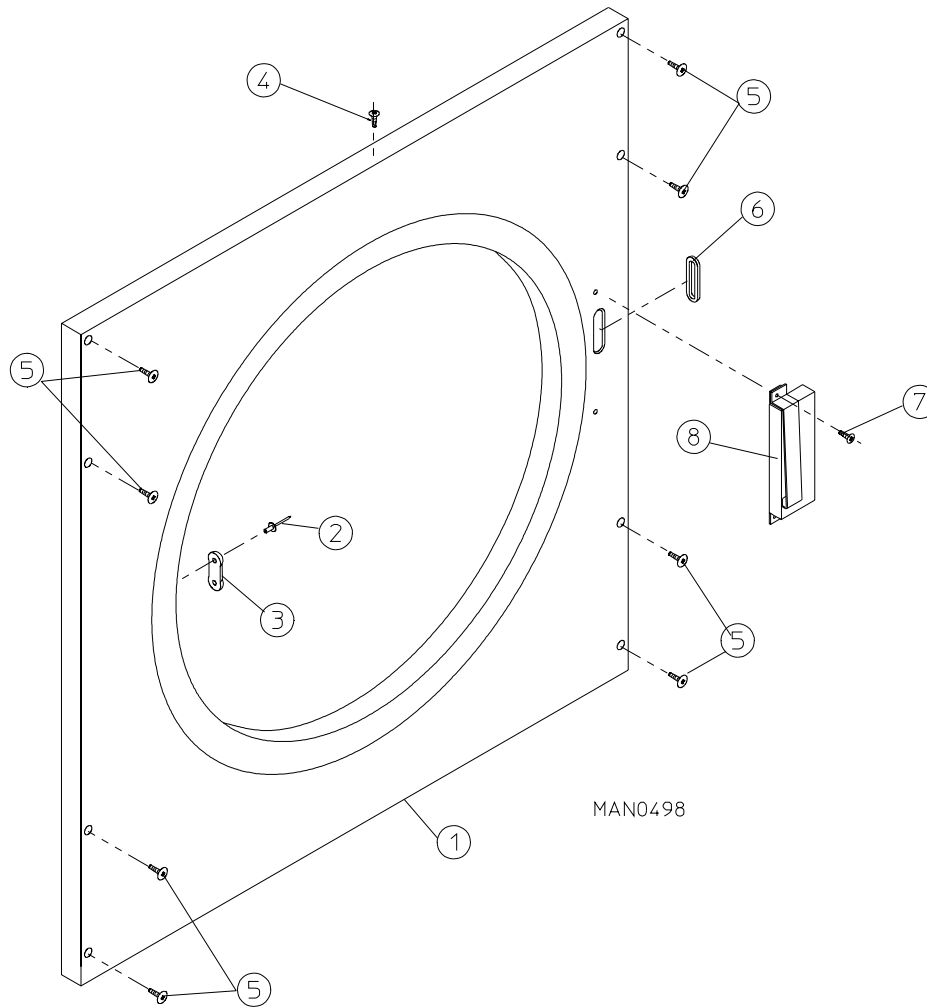
Coin Vault Assembly



MAN0136

<u>Illus. No.</u>	<u>Part No.</u>	<u>Qty.</u>	<u>Description</u>
1	802131	1	Microprocessor Coin Vault Assembly Complete (includes illus. nos. 1 through 6)
	802130	1	Non-Microprocessor Coin Vault Assembly Complete (includes illus. nos. 1 through 6)
	802121	1	Microprocessor Coin Vault ONLY
	802120	1	Non-Microprocessor Coin Vault ONLY
2	160006	1	Cam for 1/4 Turn Lock ONLY
3	160007	1	1/4 Turn Lock with Key
	160105*	1	1/4 Turn Mer-Pel Key ONLY
4	802020	1	1/4 Turn Coin Box Assembly (includes illus. nos. 2 through 5)
	802019	1	1/4 Turn Coin Box ONLY without Faceplate
5	802018	1	1/4 Turn Coin Box Faceplate ONLY
6	152014	4	1/4-20 Free Spin Wash Nut
7	309250	1	Coin Vault Slot Cover
8	102503	1	Control Door Support Rod
9	102601	1	Control Door Rod Retainer Clip
10	102600	1	Control Door Support Rod Catch

* Specify key number when ordering.

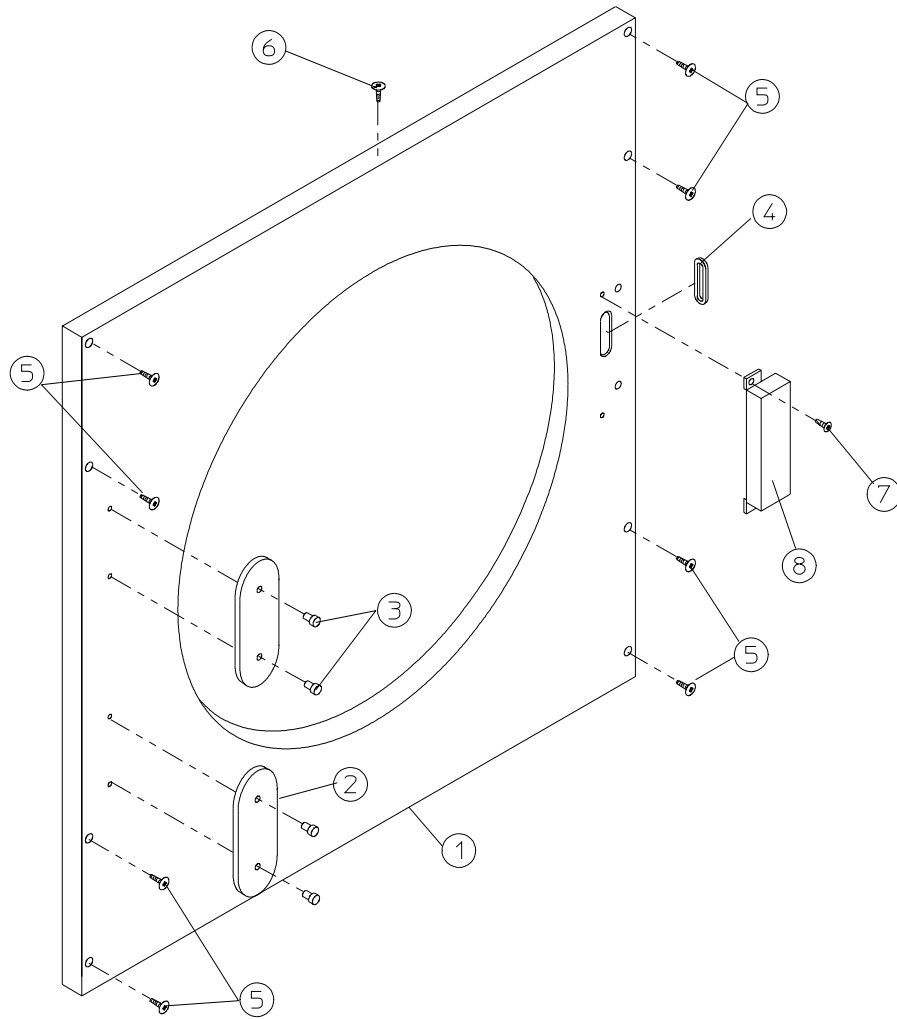


Illus. No.	Part No.	Qty.	Description
1*	800676	1	Front Panel Assembly (latch-type) Complete with Hinge (includes illus. nos. 1 through 3 and 6)
	800677	1	Stainless Steel Front Panel Assembly (latch-type) Complete with Hinge (includes illus. nos. 1 through 3 and 6)
2	154215	2	5/32" Pop Rivet
3	170330	1	Friction Door Latch
4	150300	1	#10-16 x 1/2" Hex Washer TEK Screw
5	150415	8	#10-16 x 1/2" Phillips Round Head Crimpite Screw
6	121405	1	Rubber Grommet
7	150205	2	#10-32 x 1/4" Fillister Head Screw
8	-----	1	N.S. Series Door Switch (for microprocessor models mfd. as of November 21, 1990 and non-microprocessor models mfd. as of November 15, 1990) (refer to Main Door Switch Assembly on page 28)

* Specify color when ordering.

Front Panel Assembly

Magnet-Type



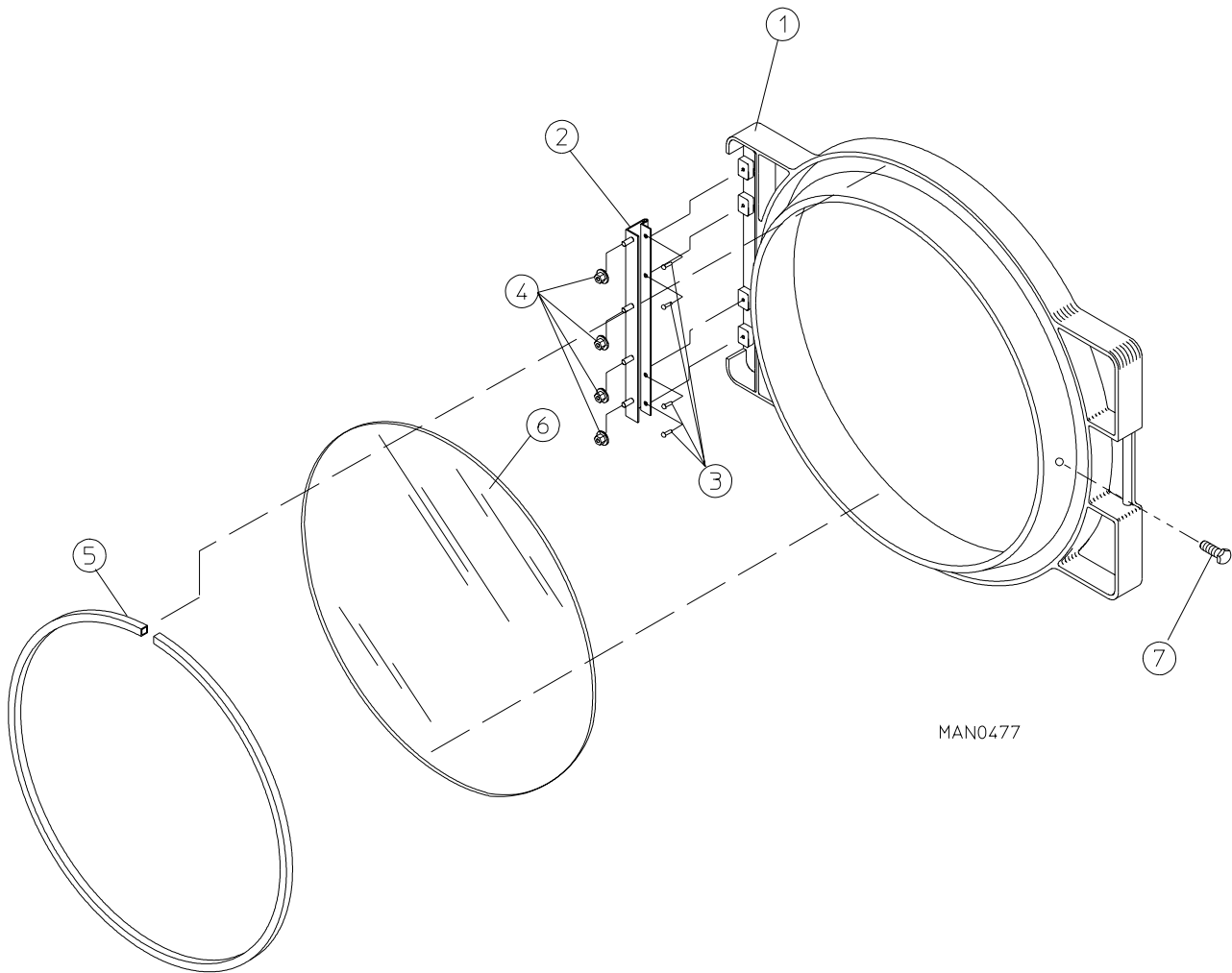
MAN0499

<u>Illus. No.</u>	<u>Part No.</u>	<u>Qty.</u>	<u>Description</u>
1*	800389	1	Front Panel Assembly (magnet-type) Complete with Hinge (includes illus. nos. 1 through 3 and 6)
	800384	1	Stainless Steel Front Panel Assembly (magnet-type) Complete without Hinge (includes illus. nos. 1 through 3 and 6)
2	170340	2	3-1/2" Stainless Steel Striker Pad
3	154200	1	5/32" Pop Rivet
4	121405	1	Rubber Grommet
5	150415	8	#10-16 x 1/2" Phillips Round Head Crimptite Screw
6	150300	1	#10-16 x 1/2" Hex Washer TEK Screw
7	150201	2	#10-32 x 1/4" Phillips Pan Head Screw
8	-----	1	N.S. Series Door Switch (for microprocessor models mfd. prior to November 21, 1990 and non-microprocessor models mfd. prior to November 15, 1990) (refer to Main Door Switch Assembly on page 29)

* Specify color when ordering.

Main Door Assembly

Latch-Type



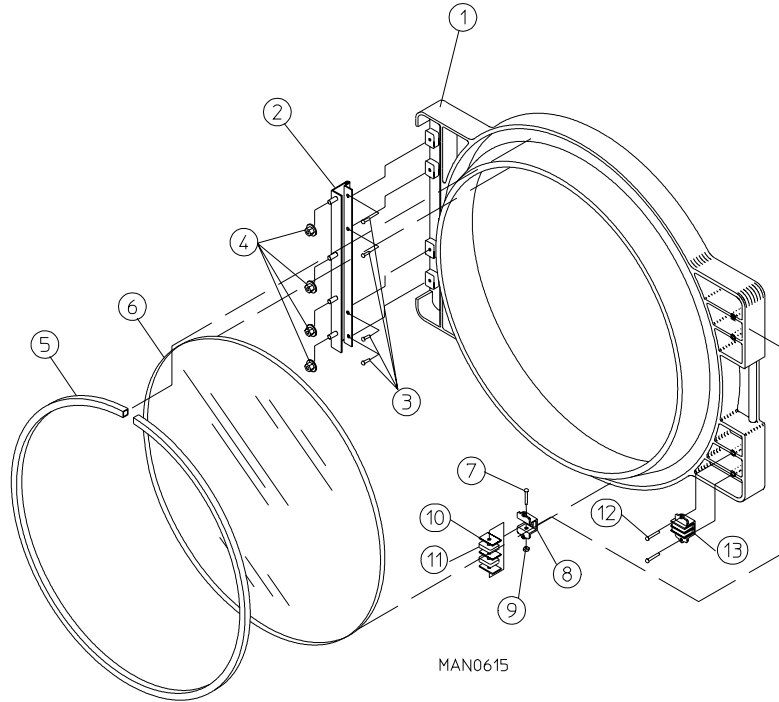
MAN0477

<u>Illus. No.</u>	<u>Part No.</u>	<u>Qty.</u>	<u>Description</u>
1*	800285	1	Gray (lightweight) Main Door Assembly (latch-type) Complete (includes illus. nos. 1 and 5 through 7)
2	103050	1	12-1/2" Stainless Steel Main Door
3	150410	4	#10-24 x 3/8" Phillips Pan Head Tapite Screw
4	152014	4	1/4-20 Free Spin Wash Nut
5	102353	1	Main Door Gasket
6	102210	1	20-7/16" Door Glass
	170730	1	Glass Adhesive for Lightweight (plastic) Main Door Assembly
7	150431	1	Main Door Latch Screw

* Contact factory for colors other than gray.

Main Door Assembly

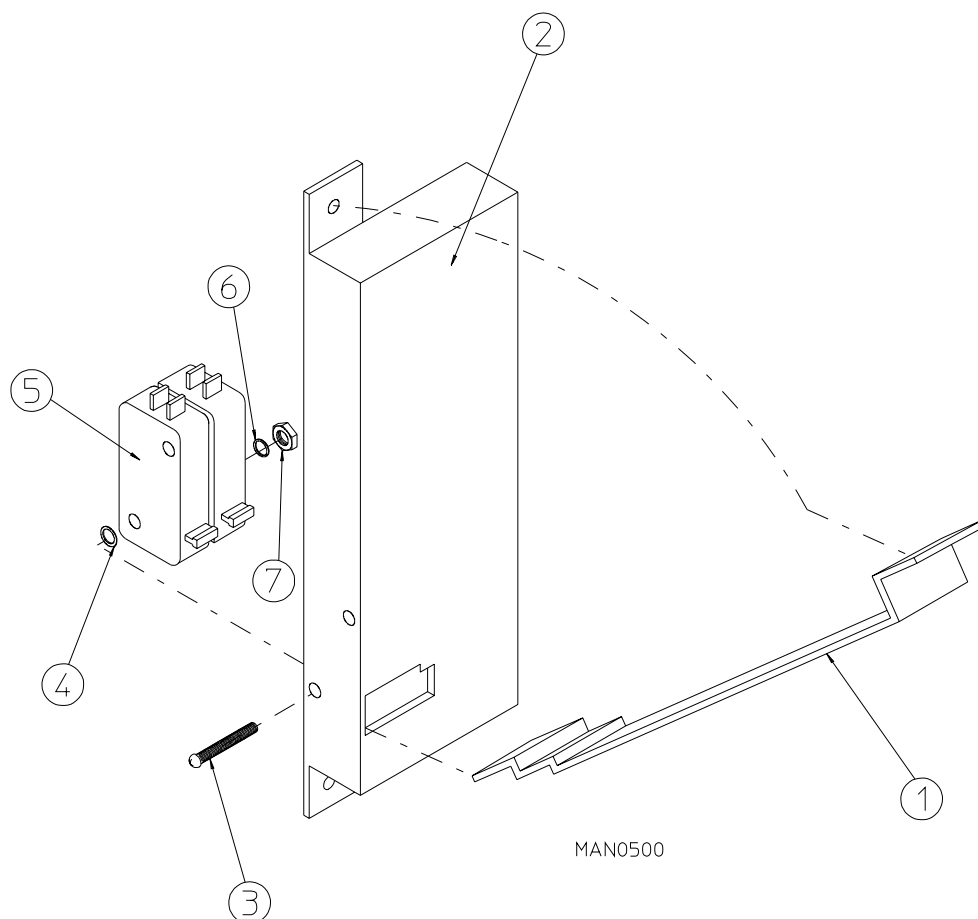
Magnet-Type



Illus. No.	Part No.	Qty.	Description
1*	800136**	1	Gray (cast) Main Door Assembly (magnet-type) Complete (includes illus. nos. 1 through 12)
	800133**	1	Gray (cast) Main Door Assembly (magnet-type) Less Accessories (includes illus. nos. 1 through 3)
	800134**	1	Gray (cast) Main Door Assembly (magnet-type) with Glass and Gasket ONLY (includes illus. nos. 1 through 3, 5, and 6)
2	103050	1	12-1/2" Stainless Steel Main Door Hinge
3	150410	4	#10-24 x 3/8" Phillips Pan Head Taptite Screw
4	152014	4	1/4-20 Free Spin Wash Nut
5	102350	1	68-1/2" Main Door Gasket
6	102210	1	20-7/16" Door Glass
7	150002	2	#6-32 x 1" Round Head Machine Screw
8	102105	2	Magnet Holder ONLY
9	152013	2	#6-32 Hex Nut
10	306802	6	Magnet Keeper ONLY
11	102102	4	Door Magnet (0.215)
12	150410	4	#10-24 x 3/8" Phillips Pan Head Taptite Screw
13	800131	2	Cast Aluminum Magnet Holder Assembly Complete (includes illus. nos. 7 through 11)
---	170730	1	Glass Adhesive for Lightweight (plastic) Main Door Assembly... Not Illustrated
---	170725	1	Glass and Gasket Adhesive for Cast Main Door Assembly...Not Illustrated

* **All** dryers manufactured as of June 1, 1989 are built with a lightweight (plastic) main door assembly.

** Contact factory for colors other than gray.



<u>Illus. No.</u>	<u>Part No.</u>	<u>Qty.</u>	<u>Description</u>
1	313215	1	Door Switch Actuator Arm ONLY
2	800445*	1	N.S. Series Microprocessor Main Door Switch Housing Assembly Complete (for models mfd. as of November 21, 1990) (includes illus. nos. 1 through 7)
	800446**	1	N.S. Series Non-Microprocessor Main Door Switch Housing Assembly Complete (for models mfd. as of November 15, 1990) (includes illus. nos. 1 through 7)
	313217	1	Main Door Switch Housing ONLY
3	150025	2	#4-40 x 1" Pan Head Machine Screw
4	153045	2	#4 Lock Washer
5	137004	***	N.S. Series Main Door Switch ONLY
6	153045	2	#4 Lock Washer
7	152016	2	#4-40 Hex Nut

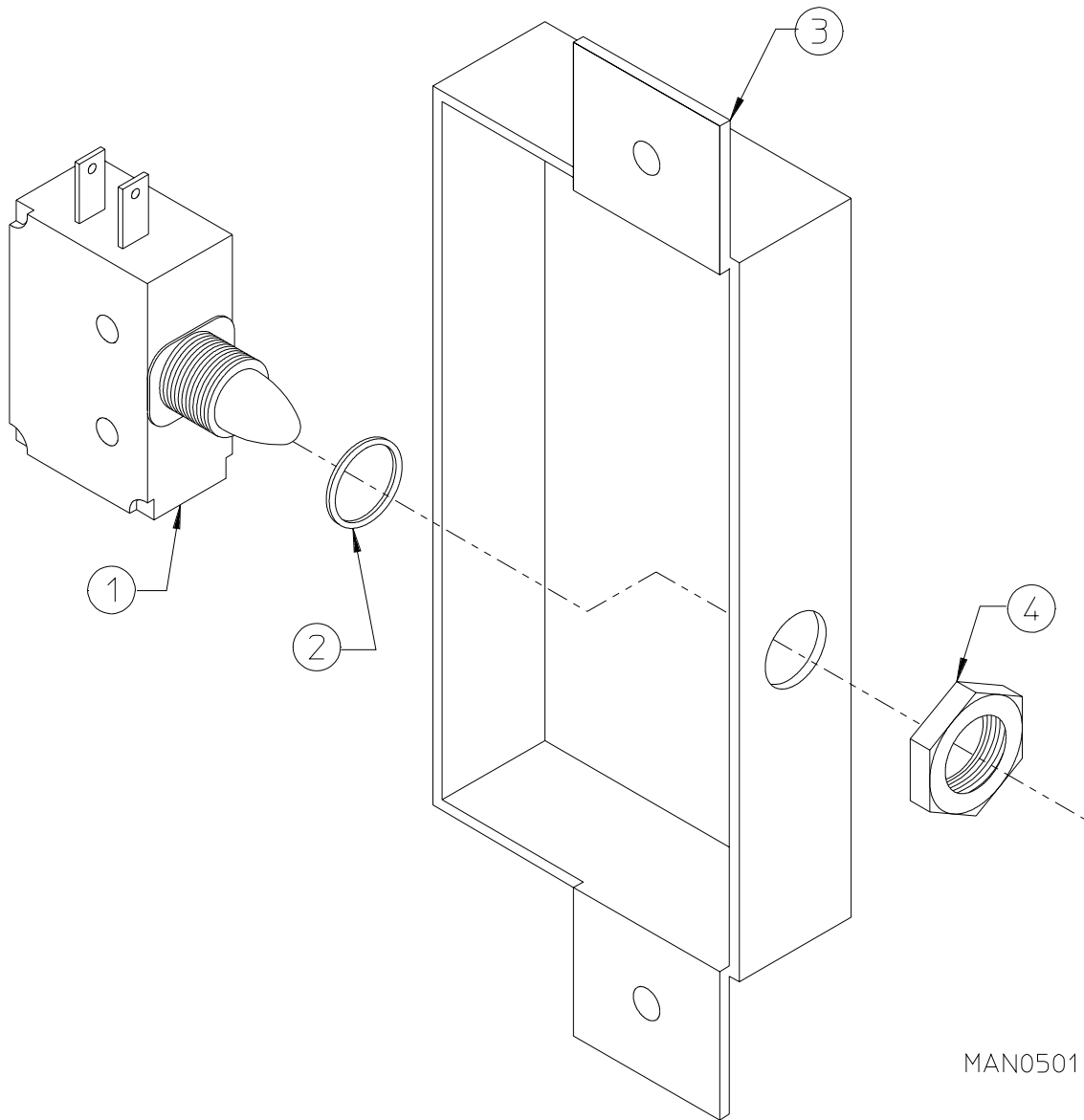
* Microprocessor model dryers require two (2) N.S. Series main door switches.

** Non-Microprocessor model dryers require one (1) N.S. Series main door switch.

***As required (either 1 or 2).

Main Door Switch Assembly

Plunger-Type

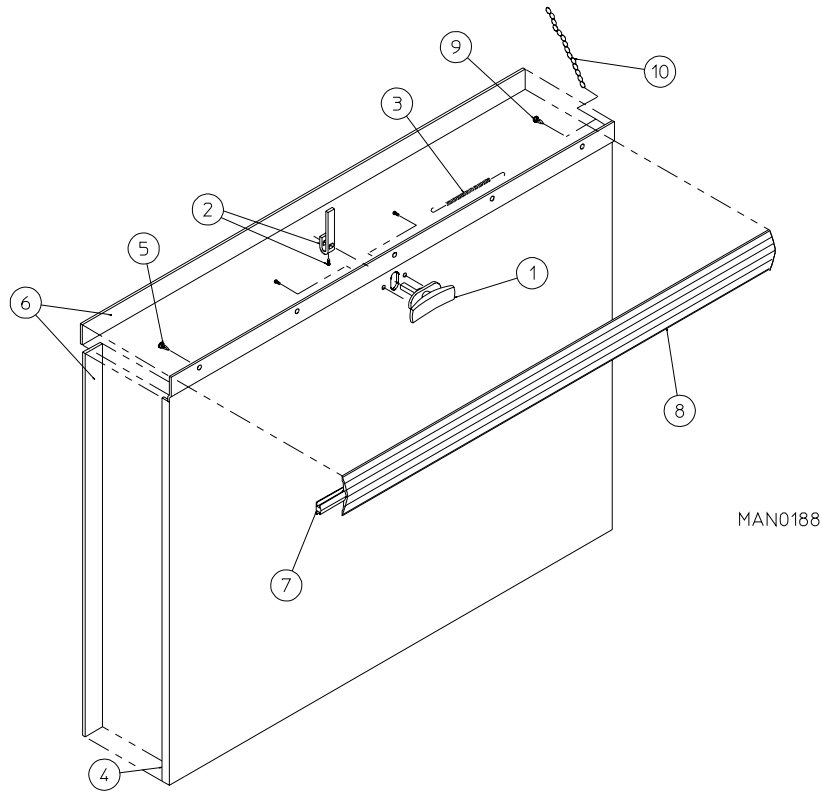


MAN0501

<u>Illus. No.</u>	<u>Part No.</u>	<u>Qty.</u>	<u>Description</u>
1	137003	1	Plunger-Type Main Door Switch (includes illus. nos. 1, 2, and 4)
2	401551	*	Door Switch Spacer/Washer
3	870010	1	Plunger-Type Main Door Switch Assembly Complete (for microprocessor models mfd. prior to November 21, 1990 and for non-microprocessor models mfd. prior to November 15, 1990) (includes illus. nos. 1 through 4)
	313209	1	Main Door Switch Housing ONLY
4	152003	1	3/8-32 x 1/2" Door Switch Nut

* As required (either 1 or 2).

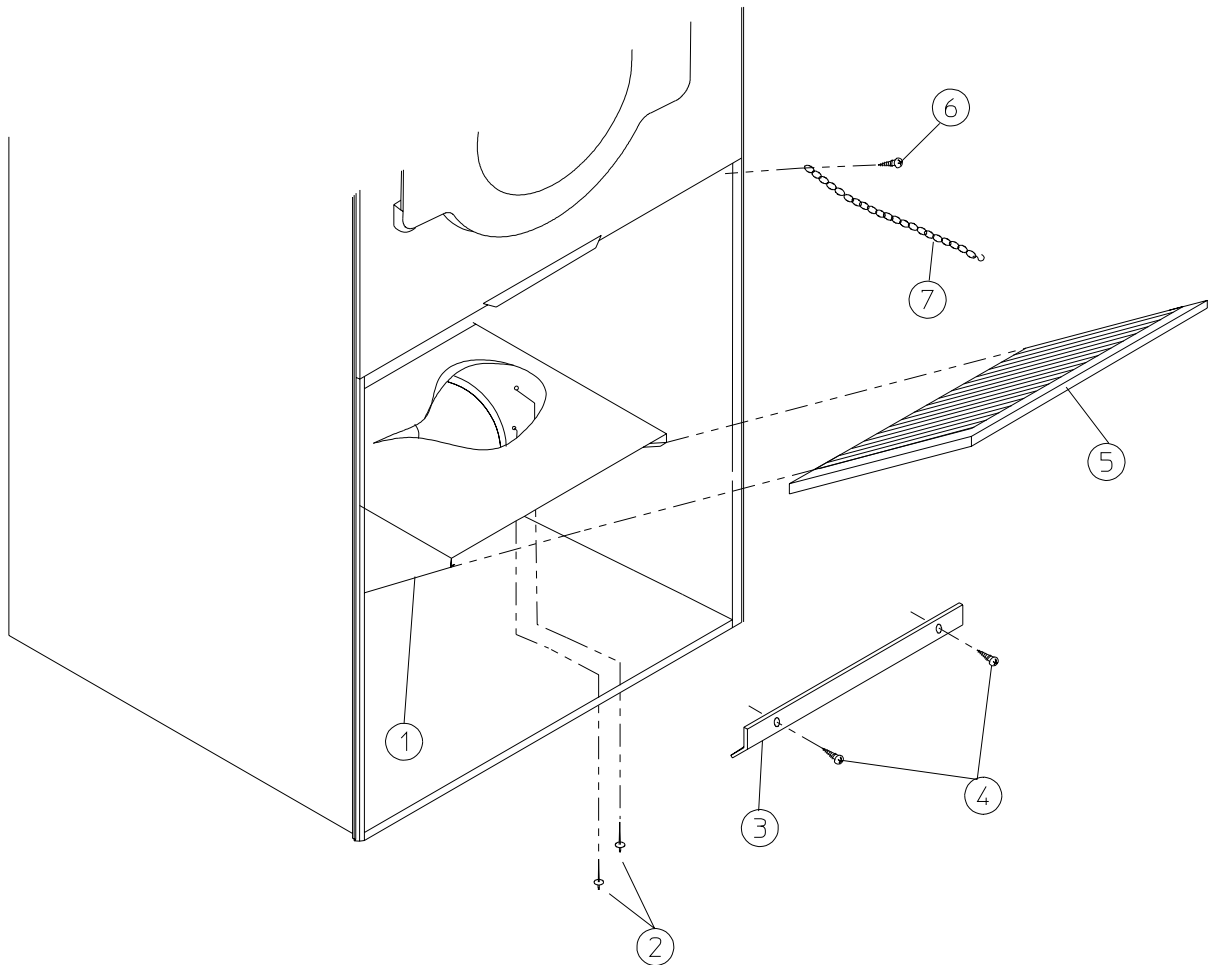
Drop Lint Door Assembly



<u>Illus. No.</u>	<u>Part No.</u>	<u>Qty.</u>	<u>Description</u>
1	160001	1	AD-100 Lock Assembly with Key
	160103	1	AD-100 Key ONLY
	800150	1	Knob Latch Kit Assembly (for noncoin models)
	160200	1	Knob Latch Kit with two (2) Screws (for noncoin models)
	160003	1	Dummy Lock ONLY (for noncoin models)
	160104	1	MK-100 Key ONLY
2	160008	1	Lock Cam ONLY (for AD-100 lock)
	160009	1	Knob Latch Adjustable Cam with Screw (for noncoin models)
	150425	1	#12-24 x 3/8" Round Head Machine Screw (screw for knob latch adjustable cam)
3	157000	1	Drop Lint Door Spring
4	800234*	1	Drop Lint Door Assembly Complete (includes illus. nos. 4 through 8)
	800244	1	Stainless Steel Drop Lint Door Assembly Complete (includes illus. nos. 4 through 8)
5	150201	10	#10-32 x 1/4" Phillips Pan Head TEK Screw
6	117600	7	Noise Suppression Tape (sold by the foot)
7	102307	3	Trim Bumper Gasket (sold by the foot)
8	180213	2	Trim/Kick Plate (28-3/8" length)
9	150419	2	#6 x 1/2" Tamperproof Screw
10	108120	1	Chain for Drop Lint Door (10-1/2" length)
---	150418	1	Tamperproof Screw Hand Driver...Not Illustrated

* Specify color when ordering.

Lint Trap Assembly

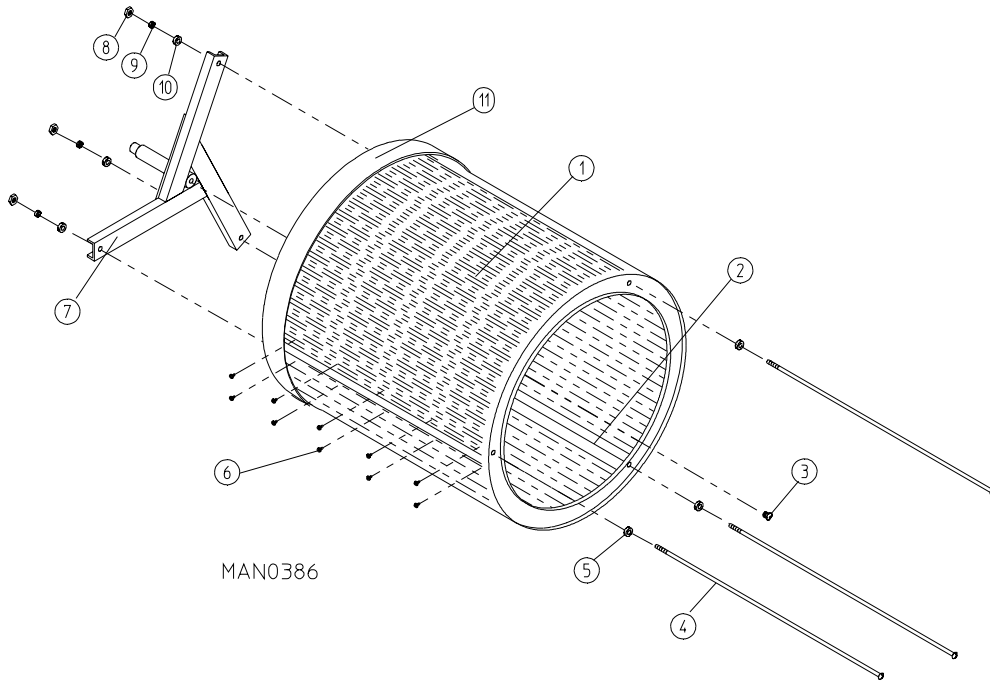


MAN0107

Illus. No.	Part No.	Qty.	Description
1	800410	1	Lint Trap Assembly Complete (includes illus. nos. 1 and 3 through 5)
	800411	1	Lint Trap ONLY
2	154200	7	5/32" Pop Rivet
3	304102	1	Lint Screen Holder ONLY
4	150300	2	#10-16 x 1/2" Hex Washer TEK Screw
5	800503	1	Lint Screen ONLY
6	150419	2	#6 x 1/2" Tamperproof Screw
7	108120	1	Chain for Drop Lint Door (10-1/2" length)

Basket (Tumbler)/Support Assembly

**Tapered Rib
For Models Mfd. as of April 18, 1991**

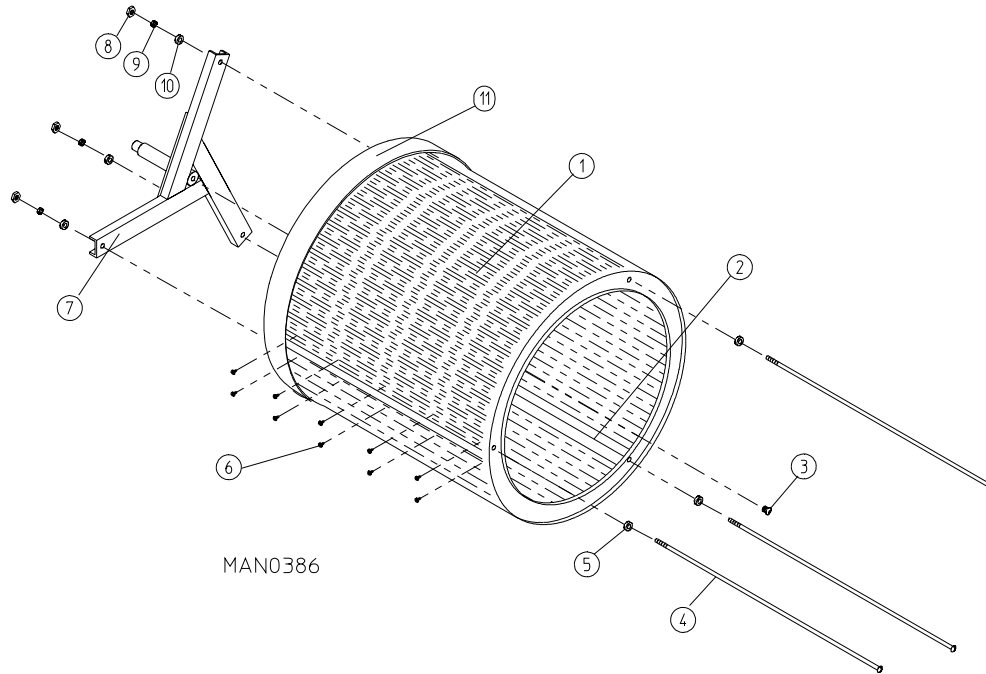


<u>Illus. No.</u>	<u>Part No.</u>	<u>Qty.</u>	<u>Description</u>
1	800830	1	Tapered Rib Basket (tumbler) and Support Assembly Complete with Felt Collar (includes illus. nos. 1 through 11)
	800890	1	Stainless Steel (tapered rib) Basket (tumbler) and Support Assembly Complete with Felt Collar (includes illus. nos. 1 through 11)
	800720	1	Tapered Rib Basket (tumbler) ONLY without Felt Collar (includes illus. nos. 1 through 3)
	800844	1	Stainless Steel (tapered rib) Basket (tumbler) ONLY without Felt Collar (includes illus. nos. 1 through 3)
2	301315	2	Short - Tapered Basket (tumbler) Rib ONLY
	301316	1	Tall - Tapered Basket (tumbler) Rib ONLY
	301414	2	Stainless Steel (short - tapered) Basket (tumbler) Rib ONLY
	301415	1	Stainless Steel (tall - tapered) Basket (tumbler) Rib ONLY
3	150518	1	5/16-18 x 3/8" Socket Button Head Screw
4	100902	3	5/16-18 x 31" Tie Rod
5	153003	3	3/8" x 1-1/2" Fender Washer
6	150415	30	#10-16 x 1/2" Phillips Round Head Crimptite Screw
7	800612	1	Basket (tumbler) Support ONLY
8	152004	3	5/16-18 Hex Nut
9	153002	3	5/16" Lock Washer
10	153001	3	5/16" Flat Washer
11	116003	1	Felt Collar ONLY
---	401010	1	#847 Adhesive for Felt Collar...Not Illustrated

Basket (Tumbler)/Support Assembly

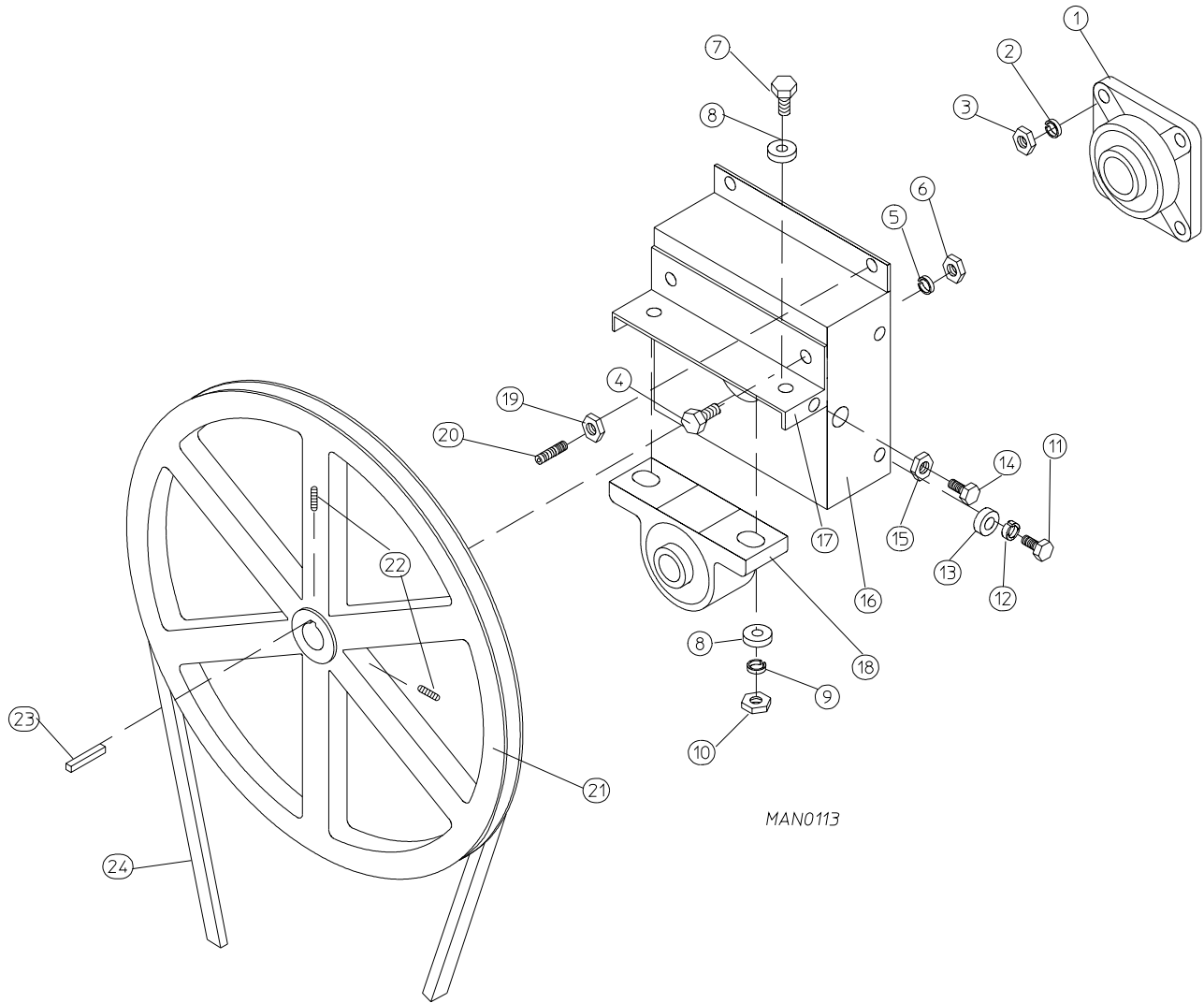
Standard Rib

For Models Mfd. prior to April 18, 1991



<u>Illus. No.</u>	<u>Part No.</u>	<u>Qty.</u>	<u>Description</u>
1	800815	1	Standard Rib Basket (tumbler) and Support Assembly Complete with Felt Collar (includes illus. nos. 1 through 11)
	800863	1	Stainless Steel (standard rib) Basket (tumbler) and Support Assembly Complete with Felt Collar (includes illus. nos. 1 through 11)
	800709	1	Standard Rib Basket (tumbler) ONLY without Felt Collar (includes illus. nos. 1 through 3)
	800853	1	Stainless Steel (standard rib) Basket (tumbler) ONLY without Felt Collar (includes illus. nos. 1 through 3)
2	301309	2	Standard Basket (tumbler) Rib ONLY
	301409	1	Stainless Steel (standard) Basket (tumbler) Rib ONLY
3	150518	1	5/16-18 x 3/8" Socket Button Head Screw
4	100902	3	5/16-18 x 31" Tie Rod
5	153003	3	3/8" x 1-1/2" Fender Washer
6	150415	30	#10-16 x 1/2" Phillips Round Head Crimptite Screw
7	800612	1	Basket (tumbler) Support ONLY
8	152004	3	5/16-18 Hex Nut
9	153002	3	5/16" Lock Washer
10	153001	3	5/16" Flat Washer
11	116003	1	Felt Collar ONLY
---	401010	1	#847 Adhesive for Felt Collar...Not Illustrated

Basket (Tumbler) Bearing Assembly



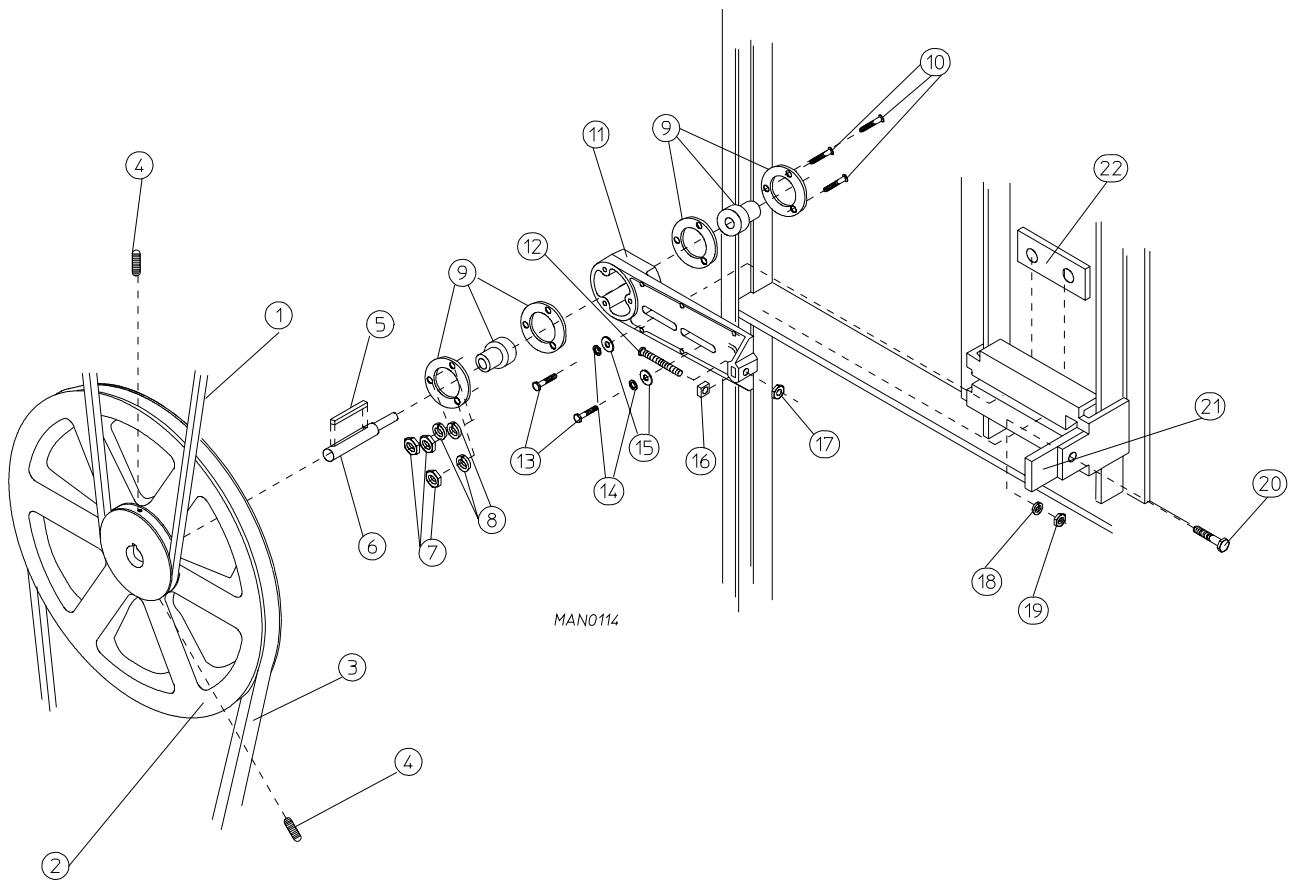
MAN0113

Basket (Tumbler) Bearing Assembly

<u>Illus. No.</u>	<u>Part No.</u>	<u>Qty.</u>	<u>Description</u>
1	100203	1	1-3/8" Flange Bearing ONLY
2	153005	4	3/8" Lock Washer
3	152005	4	3/8-16 Hex Nut
4	150508	2	3/8-16 x 3/4" Hex Head Machine Bolt
5	153005	2	3/8" Lock Washer
6	152005	2	3/8-16 Hex Nut
7	150600	2	3/8-16 x 1-1/2" Hex Head Machine Bolt
8	153004	2*	3/8" Flat Washer
9	153005	2	3/8" Lock Washer
10	152005	2	3/8-16 Hex Nut
11	150501	4	5/16-18 x 3/4" Hex Head Machine Bolt
12	153002	4	5/16" Lock Washer
13	153001	4	5/16" Flat Washer
14	150621	2	5/16-18 x 1-1/2" Hex Head Machine Bolt
15	152004	2	5/16-18 Hex Nut
16	801101	1	1-3/8" Bearing Box Assembly Complete (includes illus. nos. 4 through 20)
	801103	1	1-3/8" Bearing Box and Support ONLY (includes illus. nos. 4, 5, 6, 16, and 17)
	801105	1	1-3/8" Bearing Box ONLY
17	801104	1	Pillow Block Bearing Support ONLY
18	100202	1	1-3/8" Pillow Block Bearing ONLY
19	152005	2	3/8-16 Hex Nut
20	154303	2	3/8-16 x 1-1/4" Allen Setscrew
21	101100	1	18" Cast Pulley
22	154301	2	5/16-18 x 5/16" Allen Setscrew
23	100713	1	1/4" x 1/4" x 7/8" Key
24	100111	1	5L-650 V-Belt (to idler assembly)

* Some models require a quantity of 4.

Idler Bearing Assembly

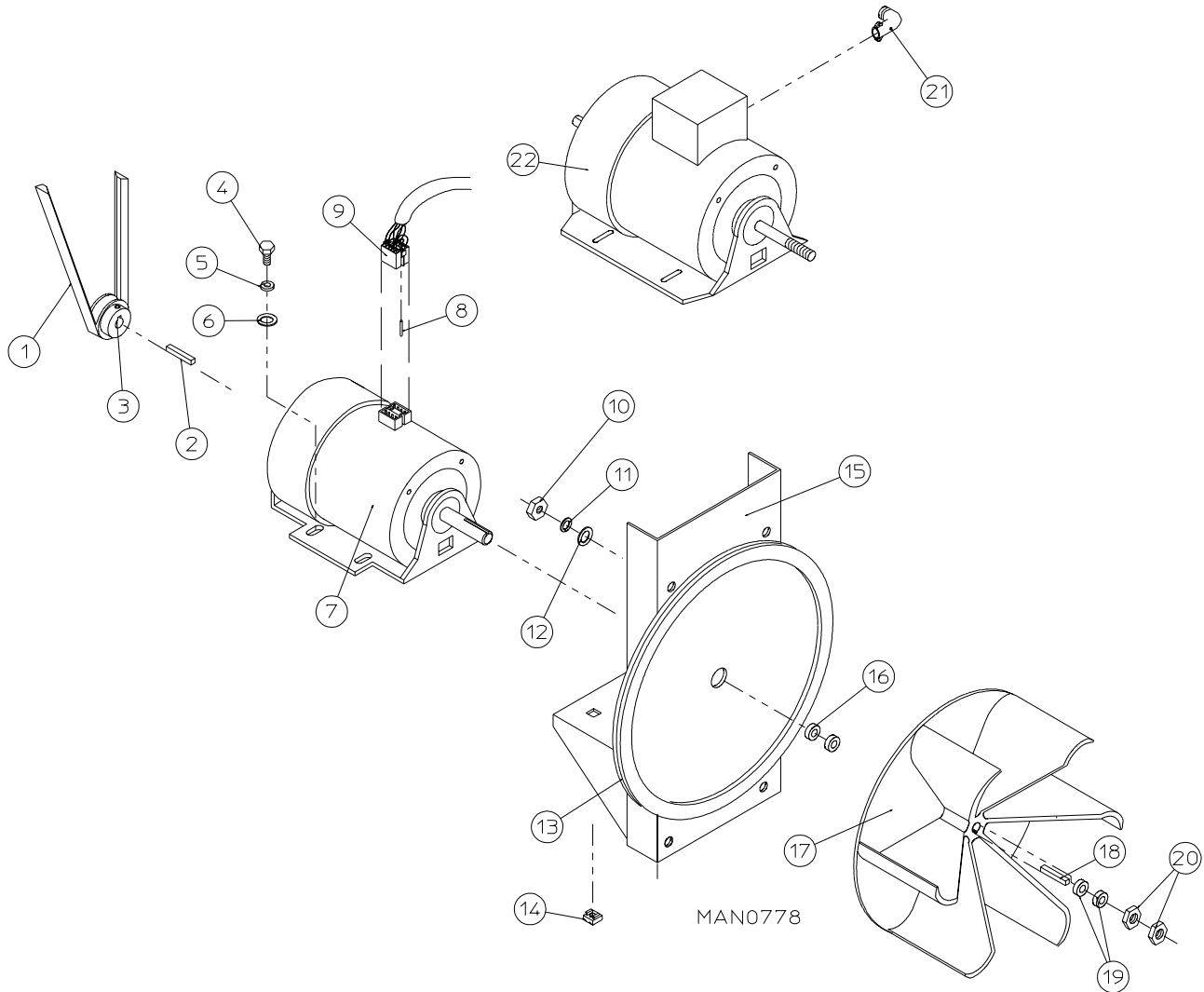


Idler Bearing Assembly

<u>Illus. No.</u>	<u>Part No.</u>	<u>Qty.</u>	<u>Description</u>
1	100111	1	5L-650 V-Belt (to basket [tumbler]/support assembly)
2	101129	1	9" x 2-1/2" x 3/16" Key, Pulley
3	100105	1	4L-520 V-Belt (to Totally Enclosed, Fan-Cooled [T.E.F.C.] motor mount assembly)
4	154301	2	5/16-18 x 5/16" Allen Setscrew
5	100705	1	3/16" x 3/16" x 1-3/8" Key
6	301850	1	5/8" x 3/4" Idler Shaft
7	152002	3	1/4-20 Hex Nut
8	153007	3	1/4" Lock Nut
9	100214	2	5/8" Flange Bearing
10	150521	3	1/4-20 x 2" Carriage Bolt
11	801008	1	Idler Bearing Assembly Complete (includes illus. nos. 6 through 22)
	100406	1	Idler Bearing Mount ONLY
12	150509	1	5/16-18 x 3" Hex Head Machine Bolt
13	150617	2	3/8-16 x 1" Hex Head Machine Bolt
14	153005	2	3/8" Lock Washer
15	153004	2	3/8" Flat Washer
16	152020	1	5/16-18 Standard Square Nut
17	152004	1	5/16-18 Hex Nut
18	152005	1	3/8-16 Hex Nut
19	153005	1	3/8" Lock Washer
20	150617	1	3/8-16 x 1" Hex Head Machine Bolt
21	301851	1	Idler Bracket Adjustment Plate
22	801009	1	Idler Square Washer

Totally Enclosed, Fan-Cooled (T.E.F.C.) Motor Mount Assembly

For 60 Hz Models with Tapered Ribs ONLY



Totally Enclosed, Fan-Cooled (T.E.F.C.) Motor Mount Assembly

For 60 Hz Models with Tapered Ribs ONLY

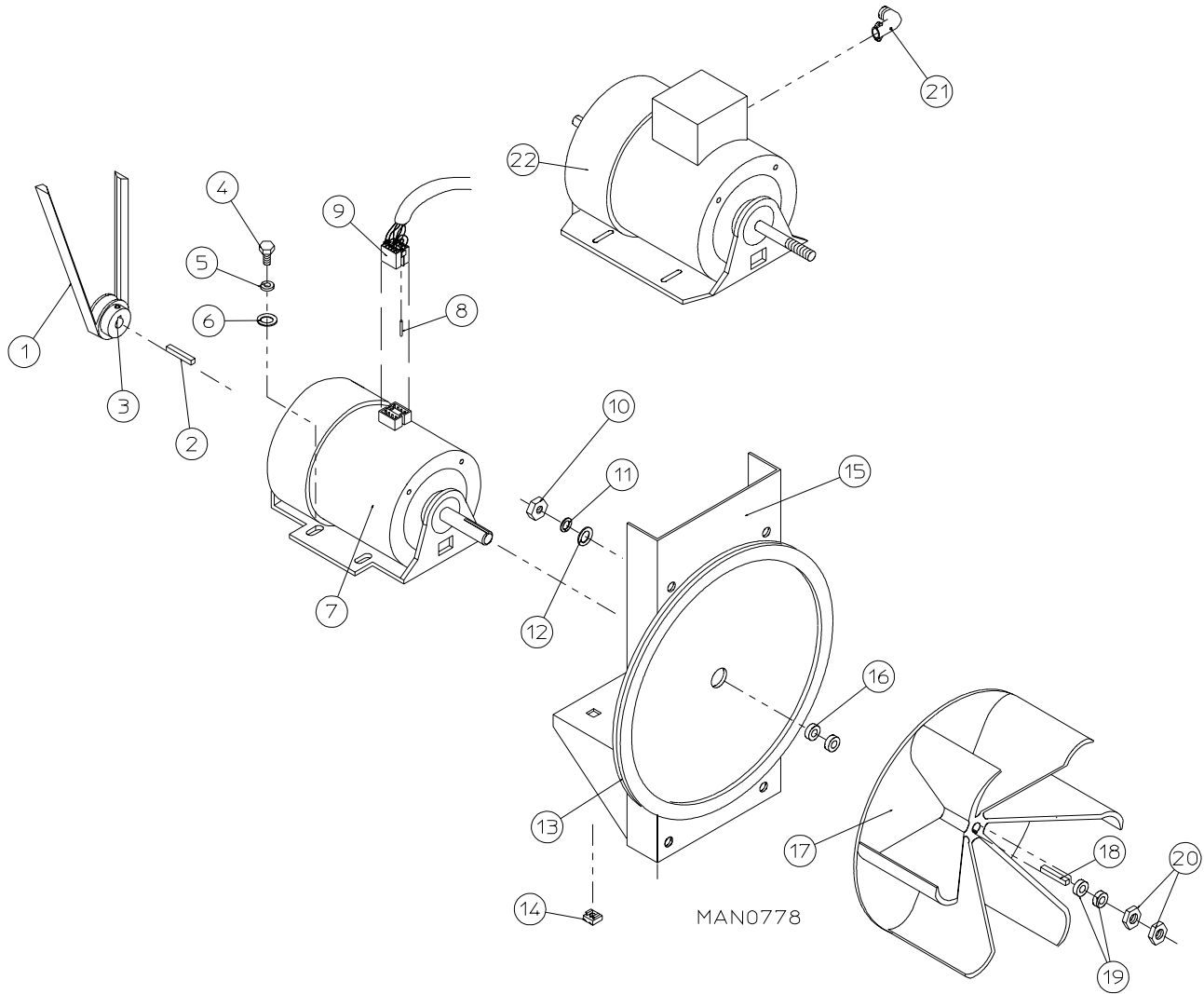
<u>Illus. No.</u>	<u>Part No.</u>	<u>Qty.</u>	<u>Description</u>
1	100105	1	4L-520 V-Belt (to idler bearing assembly)
2	100701	1	3/16" x 3/16" x 1" Key (for use on 3Ø models Only)
3	101131	1	1/2" x 2-1/4" Motor Pulley (for use on 1Ø models Only) (for models mfd. as of April 18, 1991)
	101133	1	5/8" x 2-1/4" Motor Pulley (for use on 3Ø models Only) (for models mfd. as of April 18, 1991)
4	150501	4	5/16-18 x 3/4" Hex Head Machine Bolt
5	153002	4	5/16" Lock Washer
6	153001	4	5/16" Flat Washer
7	100065	1	1/2 HP 115-230v 1Ø 50/60 Hz Totally Enclosed, Fan-Cooled (T.E.F.C.) Motor with Plug (for models mfd. as of February 15, 1990)
8	122701	8	Socket Terminal ONLY
9	137030	1	8-Pin Housing Connector ONLY
	122801	1	Pin/Socket Extraction Tool...Not Illustrated
10	152004	4	5/16-18 Hex Nut
11	153002	4	5/16" Lock Washer
12	153001	4	5/16" Flat Washer
13	117600	4	Noise Suppression Tape (sold by the foot)
14	154000	4	5/16-18 Tinnerman Nut
15	800909	1	1/2 HP Motor Mount ONLY (56Z frame)
	803966*	1	1/2 HP 115-230v 1Ø 50/60 Hz Totally Enclosed, Fan-Cooled (T.E.F.C.) Motor Mount Assembly Complete with Plug Motor (for models mfd. as of February 15, 1990) (includes illus. nos. 3 through 9 and 13 through 20)
	803965*	1	1/2 HP 208/230/380/460v 3Ø 50/60 Hz Totally Enclosed, Fan-Cooled (T.E.F.C.) Motor Mount Assembly Complete without Plug Motor (includes illus. nos. 2 through 6 and 13 through 22)
16	153050	**	1/2" S.A.E. Flat Washer
17	100604	1	12-1/2" Impellor with 1/2" Bore
18	100702	1	1/8" x 1/8" x 1-1/2" Key
19	153050	**	1/2" S.A.E. Flat Washer
20	152006	2	1/2-20 Left Hand Jam Nut
21	120200	1	3/8" x 90° Connector
22	100007	1	1/2 HP 208/230/380/460v 3Ø 50/60 Hz Totally Enclosed, Fan-Cooled (T.E.F.C.) Motor without Plug (56Z frame)

* Specify voltage when ordering.

** As required.

Totally Enclosed, Fan-Cooled (T.E.F.C.) Motor Mount Assembly

For 60 Hz Models with Standard Ribs ONLY



Totally Enclosed, Fan-Cooled (T.E.F.C.) Motor Mount Assembly

For 60 Hz Models with Standard Ribs ONLY

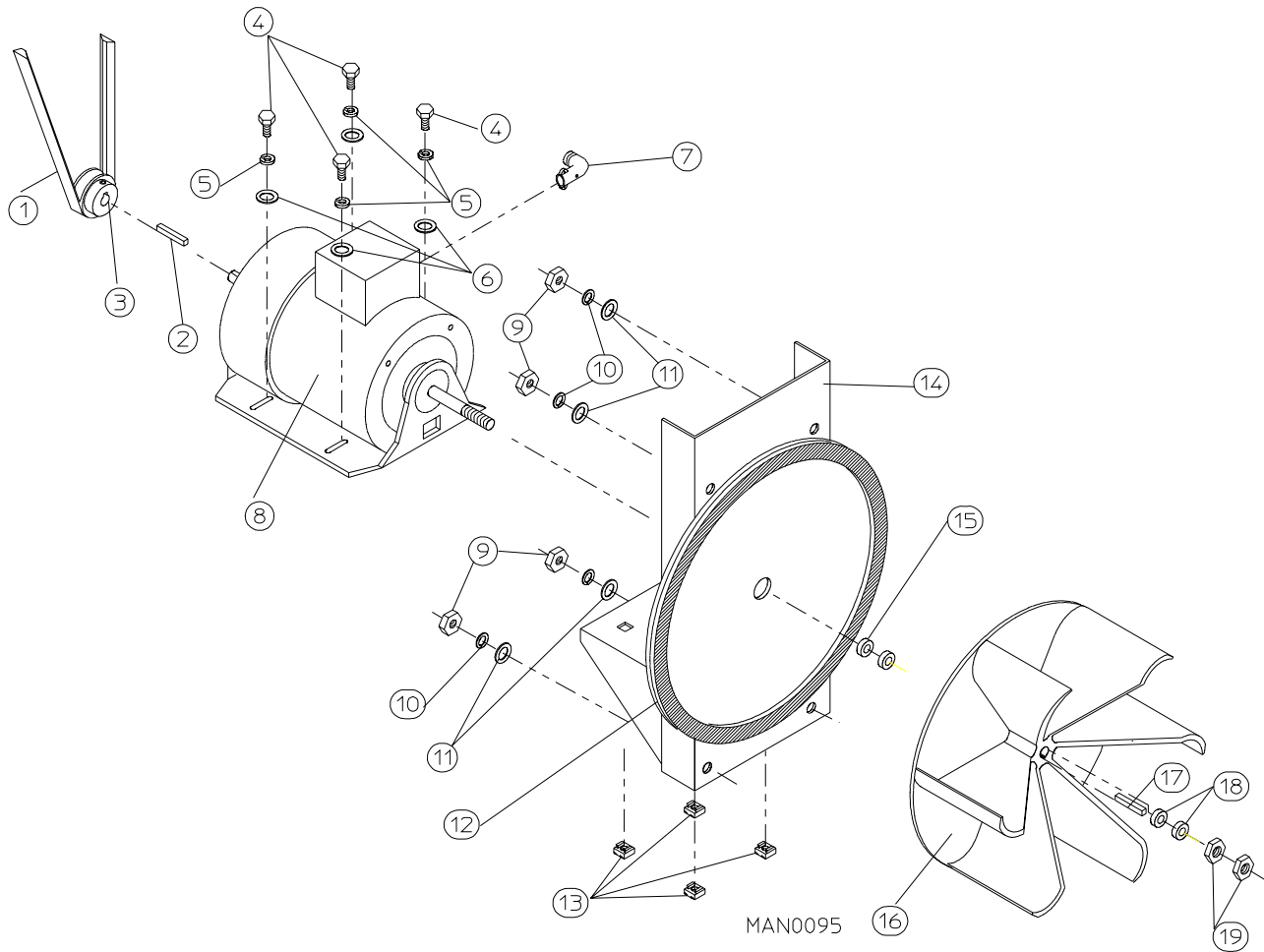
<u>Illus. No.</u>	<u>Part No.</u>	<u>Qty.</u>	<u>Description</u>
1	100105	1	4L-520 V-Belt (to idler bearing assembly)
2	100701	1	3/16" x 3/16" x 1" Key (for use on 3Ø models Only)
3	101104	1	1/2" x 2" Motor Pulley (for use on 1Ø models Only) (for models mfd. prior to April 18, 1991)
	101132	1	5/8" x 2" Motor Pulley (for use on 3Ø models Only) (for models mfd. prior to April 18, 1991)
4	150501	4	5/16-18 x 3/4" Hex Head Machine Bolt
5	153002	4	5/16" Lock Washer
6	153001	4	5/16" Flat Washer
7	100065	1	1/2 HP 115-230v 1Ø 50/60 Hz Totally Enclosed, Fan-Cooled (T.E.F.C.) Motor with Plug (for models mfd. as of February 15, 1990)
8	122701	8	Socket Terminal ONLY
9	137030	1	8-Pin Housing Connector ONLY
	122801	1	Pin/Socket Extraction Tool...Not Illustrated
10	152004	4	5/16-18 Hex Nut
11	153002	4	5/16" Lock Washer
12	153001	4	5/16" Flat Washer
13	117600	4	Noise Suppressor Tape (sold by the foot)
14	154000	4	5/16-18 Tinnerman Nut
15	800909	1	1/2 HP Motor Mount ONLY (56Z frame)
	803928*	1	1/2 HP 115-230v 1Ø 50/60 Hz Totally Enclosed, Fan-Cooled (T.E.F.C.) Motor Mount Assembly Complete with Plug Motor (for models mfd. as of February 15, 1990) (includes illus. nos. 3 through 9 and 13 through 20)
	803880*	1	1/2 HP 115-230v 1Ø 60 Hz Totally Enclosed, Fan-Cooled (T.E.F.C.) Motor Mount Assembly Complete without Plug Motor (includes illus. nos. 3 through 6 and 13 through 22)
	803793*	1	1/2 HP 208/230/380/460v 3Ø 50/60 Hz Totally Enclosed, Fan-Cooled (T.E.F.C.) Motor Mount Assembly Complete without Plug Motor (includes illus. nos. 2 through 6 and 13 through 22)
16	153050	**	1/2" S.A.E. Flat Washer
17	100604	1	12-1/2" Impellor with 1/2" Bore
18	100702	1	1/8" x 1/8" x 1-1/2" Key
19	153050	**	1/2" S.A.E. Flat Washer
20	152006	2	1/2-20 Left Hand Jam Nut
21	120200	1	3/8" x 90° Connector
	100004	1	1/2 HP 115-230v 1Ø 60 Hz Totally Enclosed, Fan-Cooled (T.E.F.C.) Motor without Plug (56Z frame)
22	100007	1	1/2 HP 208/230/380/460v 3Ø 50/60 Hz Totally Enclosed, Fan-Cooled (T.E.F.C.) Motor without Plug (56Z frame)

* Specify voltage when ordering.

** As required.

Totally Enclosed, Fan-Cooled (T.E.F.C.) Motor Mount Assembly

For 50 Hz Models with Tapered and Standard Ribs



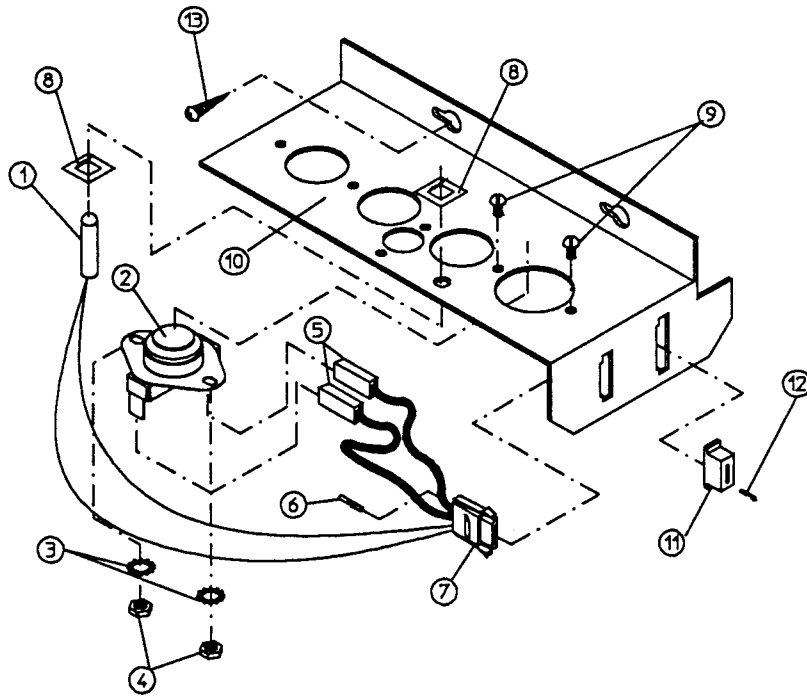
Totally Enclosed, Fan-Cooled (T.E.F.C.) Motor Mount Assembly

For 50 Hz Models with Tapered and Standard Ribs

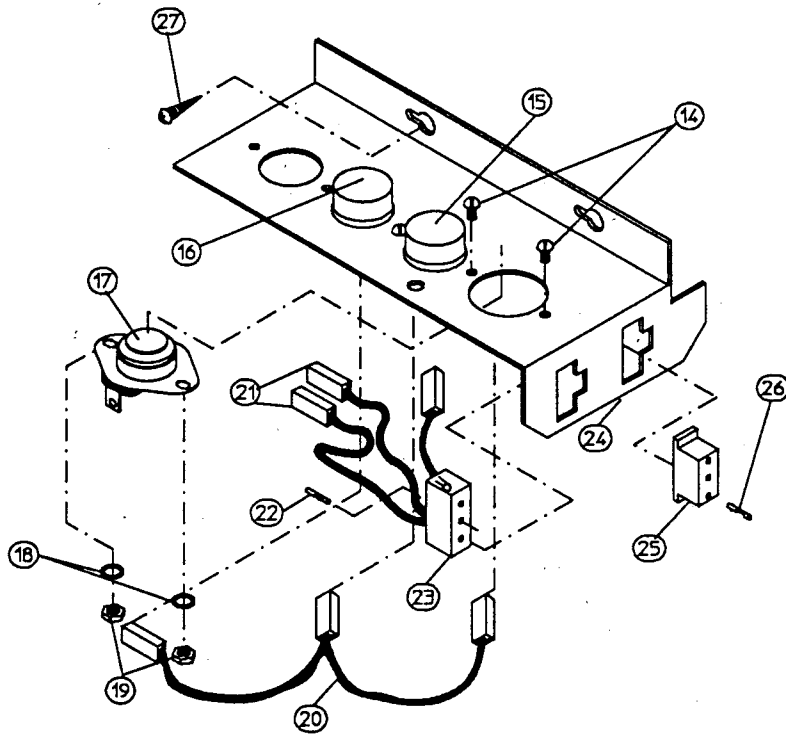
<u>Illus. No.</u>	<u>Part No.</u>	<u>Qty.</u>	<u>Description</u>
1	100105	1	4L-520 V-Belt (to idler bearing assembly)
2	100701	1	3/16" x 3/16" x 1" Key (for use on 3Ø models Only)
3	101131	1	5/8" x 2-1/2" Motor Pulley
4	150501	4	5/16-18 x 3/4" Hex Head Machine Bolt
5	153002	4	5/16" Lock Washer
6	153001	4	5/16" Flat Washer
7	100200	1	3/8" x 90° Connector
8	100035	1	1/2 HP 240v 1Ø 50 Hz Totally Enclosed, Fan-Cooled (T.E.F.C.) Motor without Plug (56Z frame)
	100007	1	1/2 HP 208/230/380/460v 3Ø 50/60 Hz Totally Enclosed, Fan-Cooled (T.E.F.C.) Motor without Plug (56Z frame)
9	152004	4	5/16-18 Hex Nut
10	153002	4	5/16" Lock Washer
11	153001	4	5/16" Flat Washer
12	117600	4	Noise Suppression Tape (sold by the foot)
13	154000	4	5/16-18 Tinnerman Nut
14	800909	1	1/2 HP Motor Mount ONLY (56Z frame)
	803966*	1	1/2 HP 240v 1Ø 50 Hz Totally Enclosed, Fan-Cooled (T.E.F.C.) Motor Mount Assembly Complete (includes illus. nos. 3 through 9 and 13 through 19)
	803965*	1	1/2 HP 208/230/380/460v 3Ø 50/60 Hz Totally Enclosed, Fan-Cooled (T.E.F.C.) Motor Mount Assembly Complete (includes illus. nos. 2 through 6 and 13 through 19)
15	153050	**	1/2" S.A.E. Flat Washer
16	100604	1	12-1/2" Impellor with 1/2" Bore
17	100702	1	1/8" x 1/8" x 1-1/2" Key
18	153050	**	1/2" S.A.E. Flat Washer
19	152006	2	1/2-20 Left Hand Jam Nut

* Specify voltage when ordering.

** As required.



MICROPROCESSOR SENSOR BRACKET ASSEMBLY



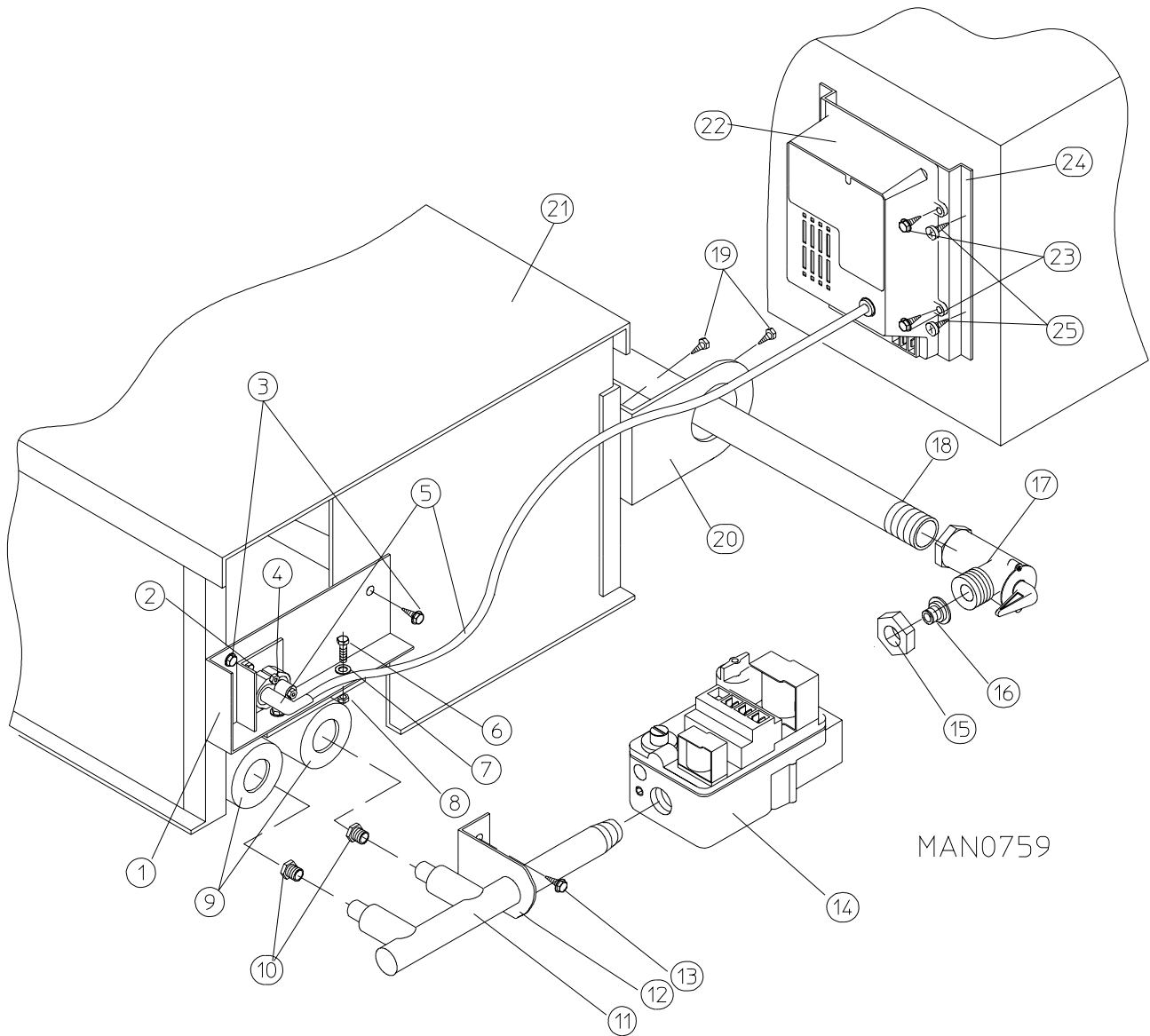
MAN0849

NON-MICROPROCESSOR SENSOR BRACKET ASSEMBLY

Sensor Bracket Assemblies

<u>Illus. No.</u>	<u>Part No.</u>	<u>Qty.</u>	<u>Description</u>
1	880251	1	1/4" Temperature Sensor Probe Assembly (includes illus. nos. 1 and 5 through 8)
2	130103	1	225° Large Automatic Reset Thermostat
3	153010	2	#6 Star Washer
4	152000	2	#6-32 Hex Nut
5	121028	2	Insulated Terminal ONLY
6	122701	4	Socket Terminal ONLY
7	122605	1	4-Pin Socket Connector ONLY
8	154007	2	1/4" Tinnerman Push On Fastener
9	150000	2	#6-32 x 1/4" Round Head Machine Screw
10	801425	1	Microprocessor Sensor Bracket Assembly Complete (includes illus. nos. 1 through 12)
	305007	1	Universal Sensor Bracket ONLY
11	122604	1	4-Pin Connector ONLY
12	122700	4	Pin Terminal ONLY
13	150301	2	#8-18 x 7/16" Phillips Pan Head TEK Screw
14	150000	4	#6-32 x 1/4" Round Head Machine Screw
15	130101	1	180° Large Thermostat
16	130100	1	150° Large Thermostat
17	130103	1	225° Large Automatic Reset Thermostat
18	153010	4	#6 Star Washer
19	152000	4	#6-32 Hex Nut
20	831700	1	Sensor Jumper ONLY
21	121028	3	Insulated Terminal ONLY
22	122701	3	Socket Terminal ONLY
23	122609	1	3-Pin Socket Connector ONLY
	831702	1	3-Pin Socket Harness Assembly (includes illus. nos. 21, 22, and 23)
24	801405	1	Non-Microprocessor Sensor Bracket Assembly Complete (includes illus. nos. 14 through 24)
	305007	1	Universal Sensor Bracket ONLY
25	122608	1	3-Pin Connector ONLY
26	122700	3	Pin Terminal ONLY
	122801	1	Pin/Socket Extraction Tool...Not Illustrated
27	150301	2	#8-18 x 7/16" Phillips Pan Head TEK Screw

Direct Spark Ignition (DSI) Burner Assembly



MAN0759

DSI module may be mounted on the left outside wall of the control box (as shown) or may be mounted on the inside of the left side panel.

Direct Spark Ignition (DSI) Burner Assembly

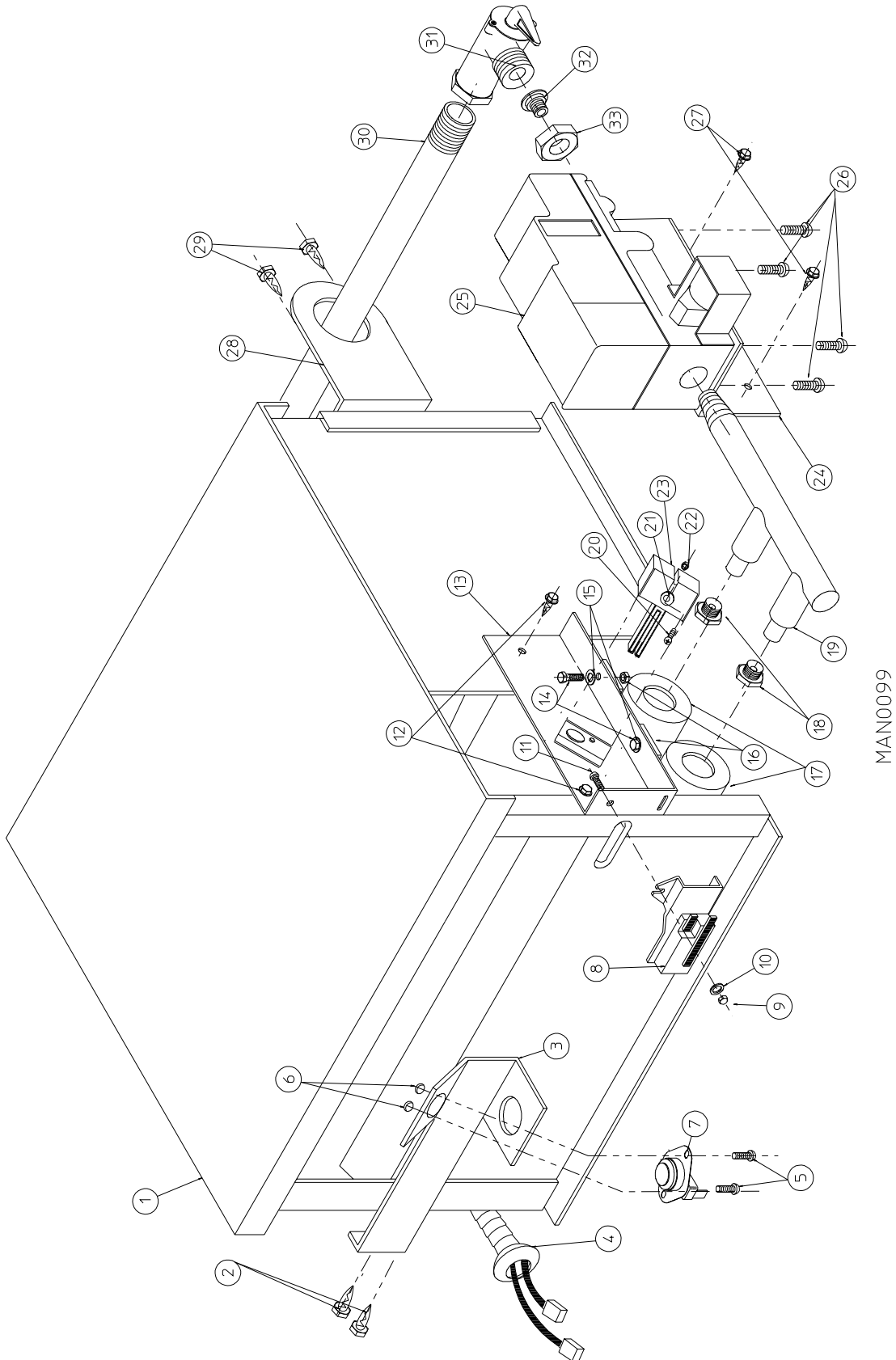
<u>Illus. No.</u>	<u>Part No.</u>	<u>Qty.</u>	<u>Description</u>
1	318030	1	Direct Spark Ignition (DSI) Burner Shield ONLY
2	150300	2	#10-16 x 1/2" Hex Washer TEK Screw
3	150415	2	#10-16 x 1/2" Phillips Round Head Crimptite Screw
4	880314	1	Direct Spark Ignition (DSI) Ignitor/Flame-Probe Assembly Kit (includes high voltage [HV] wire and connector)
	305410	1	Direct Spark Ignition (DSI) Ignitor Gap Feeler Gauge...Not Illustrated
5	880330	1	Direct Spark Ignition (DSI) Ignitor High Voltage (HV) Wire/Connector ONLY
6	150103	2	#8-32 x 1/2" Pan Head Machine Screw
7	153000	2	#8 Steel Burr
8	151001	2	#8-32 Pal Nut
9	141104	2	Small Tube Burner
10	140855*	2	#33 Burner Orifice (natural gas) ONLY
	140801*	2	#51 Burner Orifice (liquid propane [L.P.] gas) ONLY
11	141230	1	1/2" 2-Port Direct Spark Ignition (DSI) Manifold
12	318700	1	Pipe Bracket (bent)
13	150300	2	#10-16 x 1/2" Hex Washer TEK Screw
14	128927	1	1/2" 24 VAC Redundant (natural gas) Gas Valve
	140411	1	1/2" 24 VAC Gas Valve (liquid propane [L.P.] gas) Conversion Kit
15	141325	1	Tailpiece Collar ONLY
16	141303	1	1/2" 24 VAC Union Tailpiece ONLY
17	141305	1	Union Shutoff Body ONLY
18	142809	1	1/2" x 29-1/8" Pipe
19	150415	4	#10-16 x 1/2" Phillips Round Head Crimptite Screw
20	318700	2	Pipe Bracket (bent)
21	809637	1	Direct Spark Ignition (DSI) (natural gas) Burner Assembly Complete Less Orifice (includes illus. nos. 1 through 9 and 11 through 21)
	809636	1	Direct Spark Ignition (DSI) (liquid propane [L.P.] gas) Burner Assembly Complete Less Orifice (includes illus. nos. 1 through 9 and 11 through 21)
	850862	1	Direct Spark Ignition (DSI) Burner Box and Bonnet ONLY
22	128926	1	Direct Spark Ignition (DSI) Module ONLY (50/60 Hz)
23	150299	4	#10 x 1" Hex Washer TEK Screw
24	319505	1	Direct Spark Ignition (DSI) Module Mounting Bracket ONLY
25	150301	**	#8-18 x 7/16" Phillips Pan Head TEK Screw
---	874054*	1	Direct Spark Ignition (DSI)/HR (liquid propane [L.P.]) Conversion Kit Includes Orifice...Not Illustrated
---	410001	1	1/2" Allen Wrench...Not Illustrated

* Consult factory for elevation over 2,000 feet.

** As required.

Hi/Lo Microprocessor Burner Assembly

For Glo-Bar® Ignition Models ONLY



MAN0099

Hi/Lo Microprocessor Burner Assembly

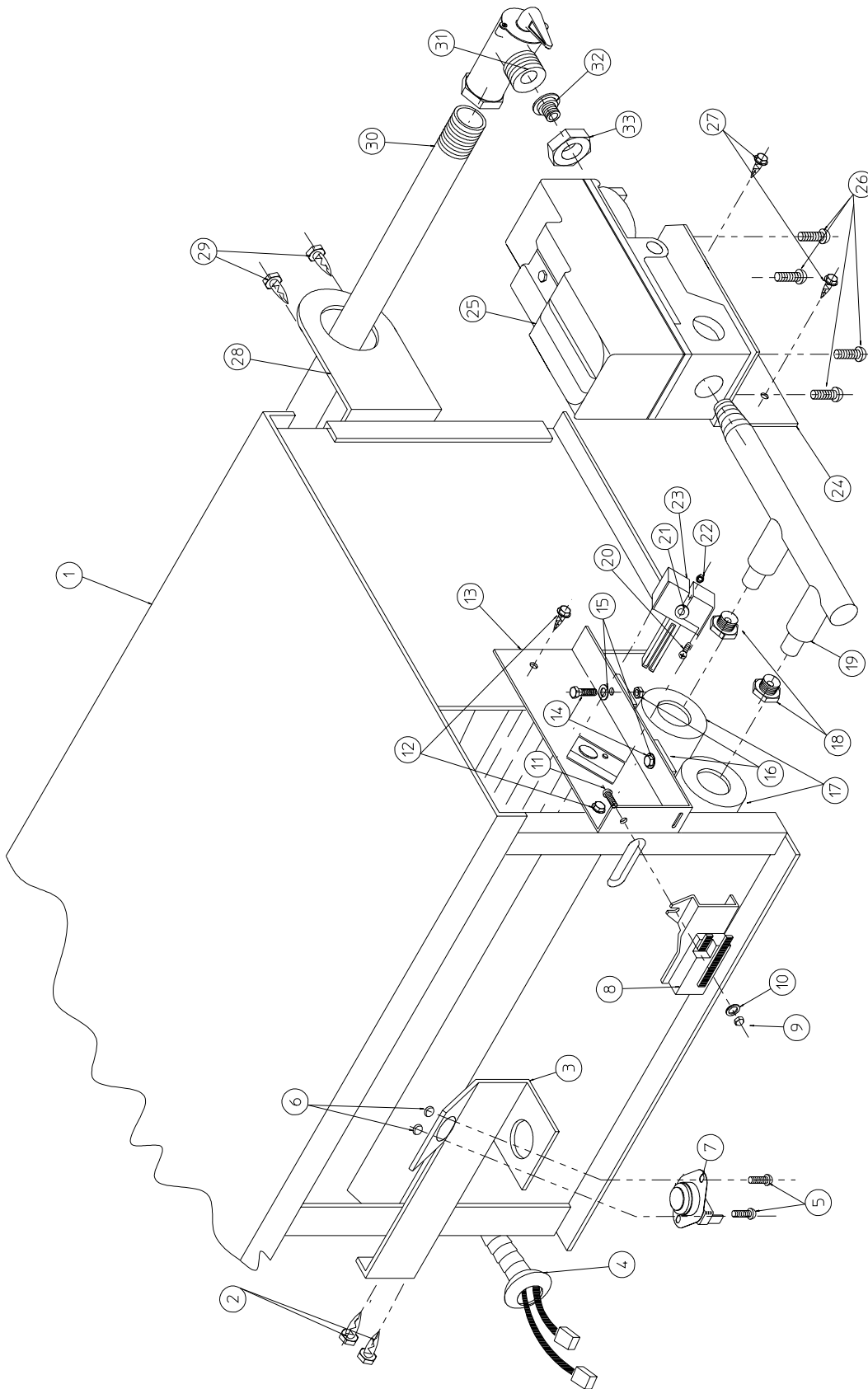
For Glo-Bar® Ignition Models ONLY

<u>Illus. No.</u>	<u>Part No.</u>	<u>Qty.</u>	<u>Description</u>
1	809592	1	Hi/Lo Microprocessor (natural gas) Burner Assembly Complete Less Orifice (includes illus. nos. 1 through 17 and 19 through 33)
	809602	1	Hi/Lo Microprocessor (liquid propane [L.P.] gas) Burner Assembly Complete Less Orifice (includes illus. nos. 1 through 17 and 19 through 33)
	804010	1	Heat Reclaimer Burner Box and Bonnet ONLY
2	150415	2	#10-16 x 1/2" Phillips Round Head Crimptite Screw
3	319704	1	Hi-Limit Mounting Bracket ONLY
4	830116	1	Hi-Limit Harness ONLY
5	150001	2	#6-32 x 1/2" Round Head Machine Screw
6	151000	2	#6-32 Pal Nut
7	130401	1	330° Hi-Limit
8	130500	1	IR Sensor
9	152001	1	#8-32 Hex Nut
10	153012	1	#8 Star Washer
11	150108	1	#8-32 x 1/2" Pan Head Machine Screw
12	150415	2	#10-16 x 1/2" Phillips Round Head Crimptite Screw
13	802705	1	IR/Glo-Bar® Mounting Bracket ONLY
14	150108	2	#8-32 x 1/2" Pan Head Machine Screw
15	153000	2	#8 Steel Burr
16	150001	2	#6-32 x 1/2" Round Head Machine Screw
17	141101	2	Small Tube Burner
18	140819*	2	#30 Burner Orifice (natural gas) ONLY
	140800*	2	#52 Burner Orifice (liquid propane [L.P.] gas) ONLY
19	141206	1	3/8" Swage Manifold ONLY
20	150002	1	#6-32 x 1" Round Head Machine Screw
21	153017	1	#6 Steel Burr
22	151000	1	#6-32 Pal Nut
23	128910	1	Glo-Bar® ONLY
24	319501	1	3/8" Gas Valve Mounting Bracket ONLY
25	140009	1	3/8" Hi/Lo (natural gas) Gas Valve
	800038	1	3/8" Hi/Lo (liquid propane [L.P.] gas) Valve
26	150301	3	#8-18 x 7/16" Phillips Pan Head TEK Screw
27	150415	2	#10-16 x 1/2" Phillips Round Head Crimptite Screw
28	318700	2	Pipe Bracket (bent)
29	150415	4	#10-16 x 1/2" Phillips Round Head Crimptite Screw
30	142809	1	1/2" x 29-1/8" Pipe
31	141305	1	Union Shutoff Body ONLY
32	141304	1	3/8" Union Tailpiece ONLY
33	141325	1	Tailpiece Collar ONLY
---	874011*	1	Glo-Bar®/Heat Reclaimer Hi/Lo (liquid propane [L.P.]) Conversion Kit Includes Orifice...Not Illustrated
---	410000	1	3/8" Allen Wrench...Not Illustrated

* Consult factory for elevations over 2,000 feet.

Non-Microprocessor (Standard) Burner Assembly

For Glo-Bar® Ignition Models ONLY



MAN0184

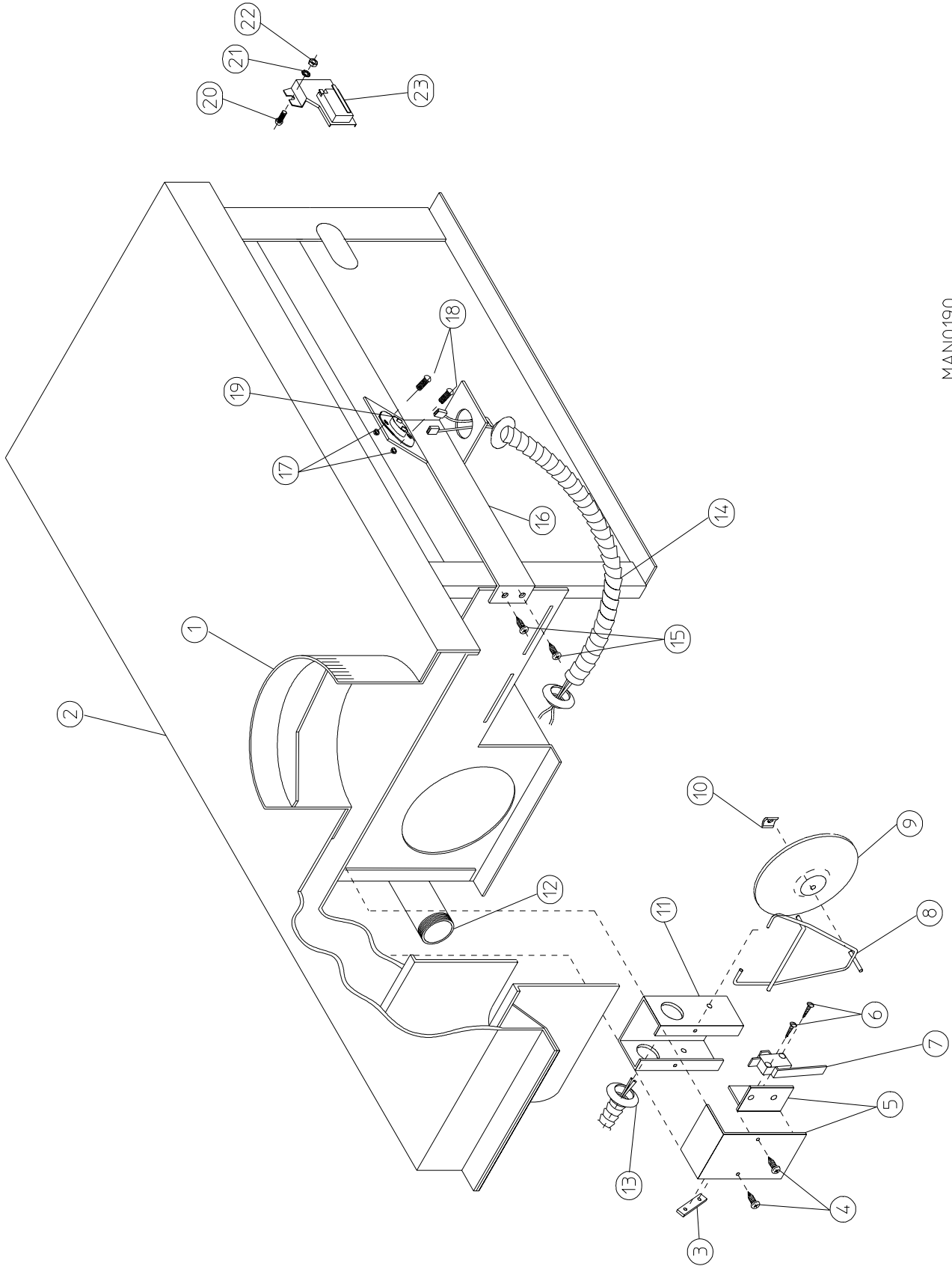
Non-Microprocessor (Standard) Burner Assembly

For Glo-Bar® Ignition Models ONLY

<u>Illus. No.</u>	<u>Part No.</u>	<u>Qty.</u>	<u>Description</u>
1	809544	1	Non-Microprocessor (Standard) Glo-Bar® (natural gas) Burner Assembly Complete Less Orifice (includes illus. nos. 1 through 17 and 19 through 33)
	809549	1	Non-Microprocessor (Standard) Glo-Bar® (liquid propane [L.P.] gas) Burner Assembly Complete Less Orifice (includes illus. nos. 1 through 17 and 19 through 33)
	804010	1	Heat Reclaimer Burner Box and Bonnet ONLY
2	150415	2	#10-16 x 1/2" Phillips Round Head Crimptite Screw
3	319704	1	Hi-Limit Mounting Bracket ONLY
4	830116	1	Hi-Limit Harness ONLY
5	150001	2	#6-32 x 1/2" Round Head Machine Screw
6	151000	2	#6-32 Pal Nut
7	130401	1	330° Hi-Limit
8	130500	1	IR Sensor
9	152001	1	#8-32 Hex Nut
10	153012	1	#8 Star Washer
11	150108	1	#8-32 x 1/2" Pan Head Machine Screw
12	150415	2	#10-16 x 1/2" Phillips Round Head Crimptite Screw
13	802705	1	IR/Glo-Bar® Mounting Bracket ONLY
14	150108	2	#8-32 x 1/2" Pan Head Machine Screw
15	153000	2	#8 Steel Burr
16	150001	2	#6-32 x 1/2" Round Head Machine Screw
17	141101	2	Small Tube Burner
18	140851*	2	#30 Burner Orifice (natural gas) ONLY
	140802*	2	#52 Burner Orifice (liquid propane [L.P.] gas) ONLY
19	141206	1	3/8" Swage Manifold ONLY
20	150002	1	#6-32 x 1" Round Head Machine Screw
21	153017	1	#6 Steel Burr
22	151000	1	#6-32 Pal Nut
23	128910	1	Glo-Bar® ONLY
24	319501	1	3/8" Gas Valve Mounting Bracket ONLY
25	140004	1	3/8" Glo-Bar® (natural gas) Gas Valve
	140402	1	3/8" Gas Valve (liquid propane [L.P.] gas) Conversion Kit
26	150301	3	#8-18 x 7/16" Phillips Pan Head TEK Screw
27	150415	2	#10-16 x 1/2" Phillips Round Head Crimptite Screw
28	318700	2	Pipe Bracket (bent)
29	150415	4	#10-16 x 1/2" Phillips Round Head Crimptite Screw
30	142809	1	1/2" x 29-1/8" Pipe
31	141305	1	Union Shutoff Body ONLY
32	141304	1	3/8" Union Tailpiece ONLY
33	141325	1	Tailpiece Collar ONLY
---	874010*	1	Glo-Bar®/Heat Reclaimer Non-Hi/Lo (liquid propane [L.P.] Conversion Kit Includes Orifice...Not Illustrated
---	410000	1	3/8" Allen Wrench...Not Illustrated

* Consult factory for elevations over 2,000 feet.

Sail Switch/Hi-Limit Assembly



MAN0190

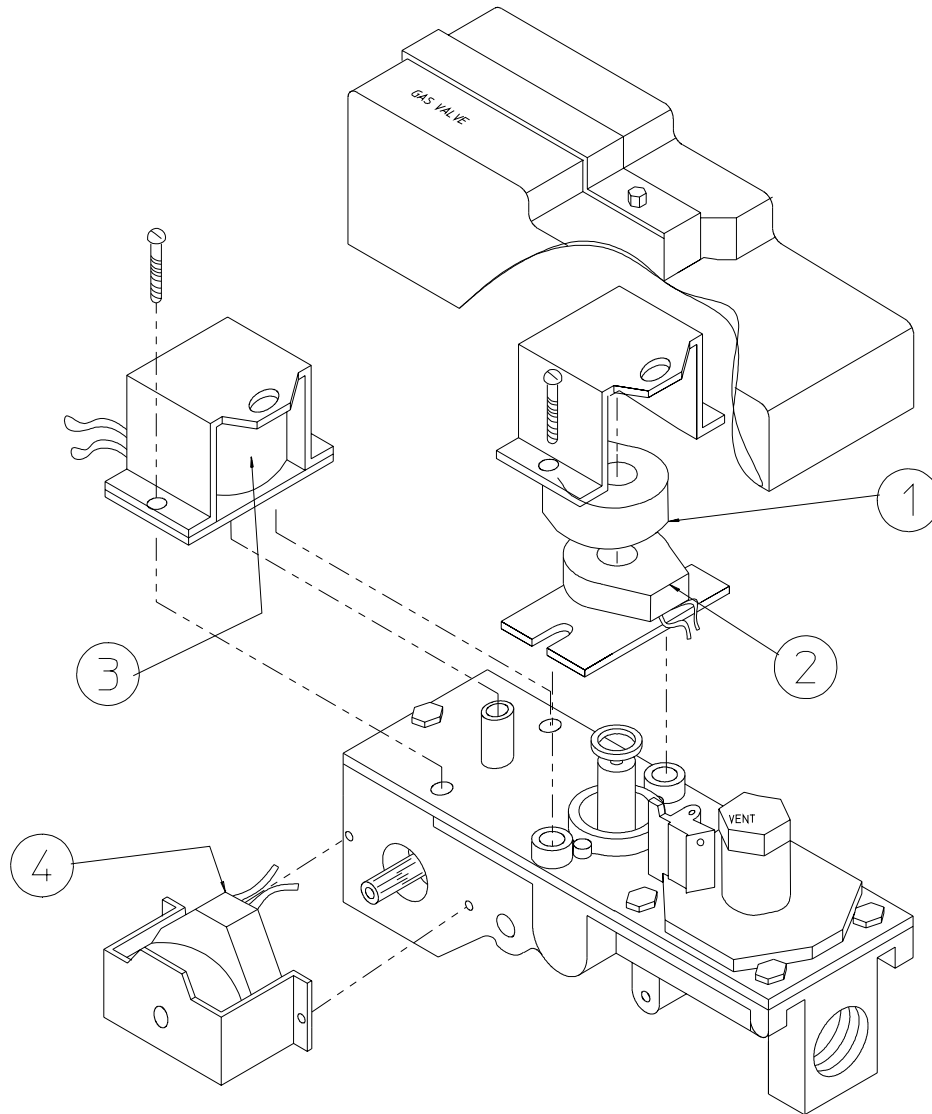
Sail Switch/Hi-Limit Assembly

<u>Illus. No.</u>	<u>Part No.</u>	<u>Qty.</u>	<u>Description</u>
1	880502	1	Heat Reclaimer (6") Damper Assembly
2	804010	1	Heat Reclaimer Burner Box and Bonnet ONLY
3	154004	1	Twin Speed Nut
4	150415	2	#10-16 x 1/2" Phillips Round Head Crimptite Screw
5	802799	1	Sail Switch Box Cover and Bracket ONLY
6	150303	2	#4 x 3/4" Pan Head "A" Machine Screw
7	122200	1	Sail Switch
8	105500	1	Sail Switch Actuator Rod
9	319202	1	Sail Switch Damper (flat)
10	154002	1	1/8" Push On Fastener
11	802801	1	Sail Switch Box Assembly Complete (includes illus. nos. 3 through 11)
	802800	1	Sail Switch Box with Cover and Bracket ONLY
12	142809	1	1/2" x 29-1/8" Pipe
13	840055	1	Sail Switch Harness
14	830116	1	Hi-Limit Harness
15	150415	2	#10-16 x 1/2" Phillips Round Head Crimptite Screw
16	319704	1	Hi-Limit Mounting Bracket ONLY
17	151000	2	#6-32 Pal Nut
18	150001	2	#6-32 x 1/2" Round Head Machine Screw
19	130401	1	330° Hi-Limit
20*	150108	1	#8-32 x 1/2" Pan Head Machine Screw
21*	153012	1	#8 Star Washer
22*	152001	1	#8-32 Hex Nut
23*	130500	1	IR Sensor

* For Glo-Bar® ignition models ONLY.

Replacement Coil For 3/8" Hi/Lo Gas Valve

For Glo-Bar® Ignition Models ONLY

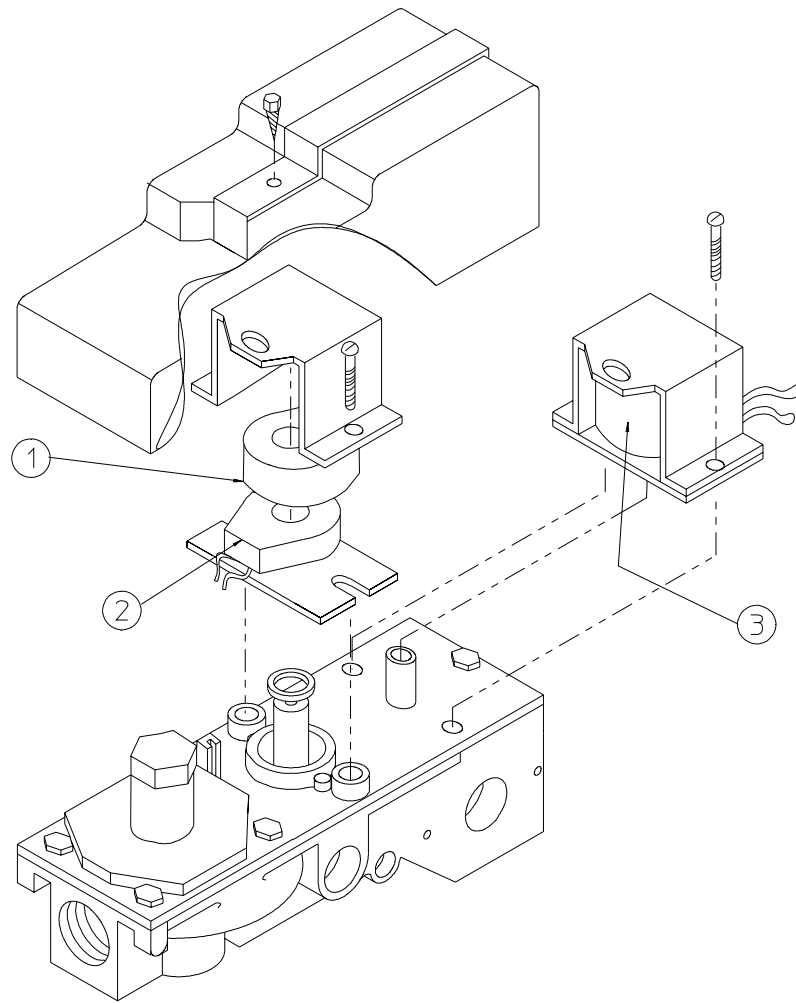


MAN0096

<u>Illus. No.</u>	<u>Part No.</u>	<u>Qty.</u>	<u>Description</u>
1	140116	1	Holding Coil
2	140115	1	Booster Coil
3	140117	1	Secondary Coil
4	140118	1	Hi/Lo Coil

Replacement Coil For 3/8" Non-Hi/Lo Gas Valve

For Glo-Bar® Ignition Models ONLY

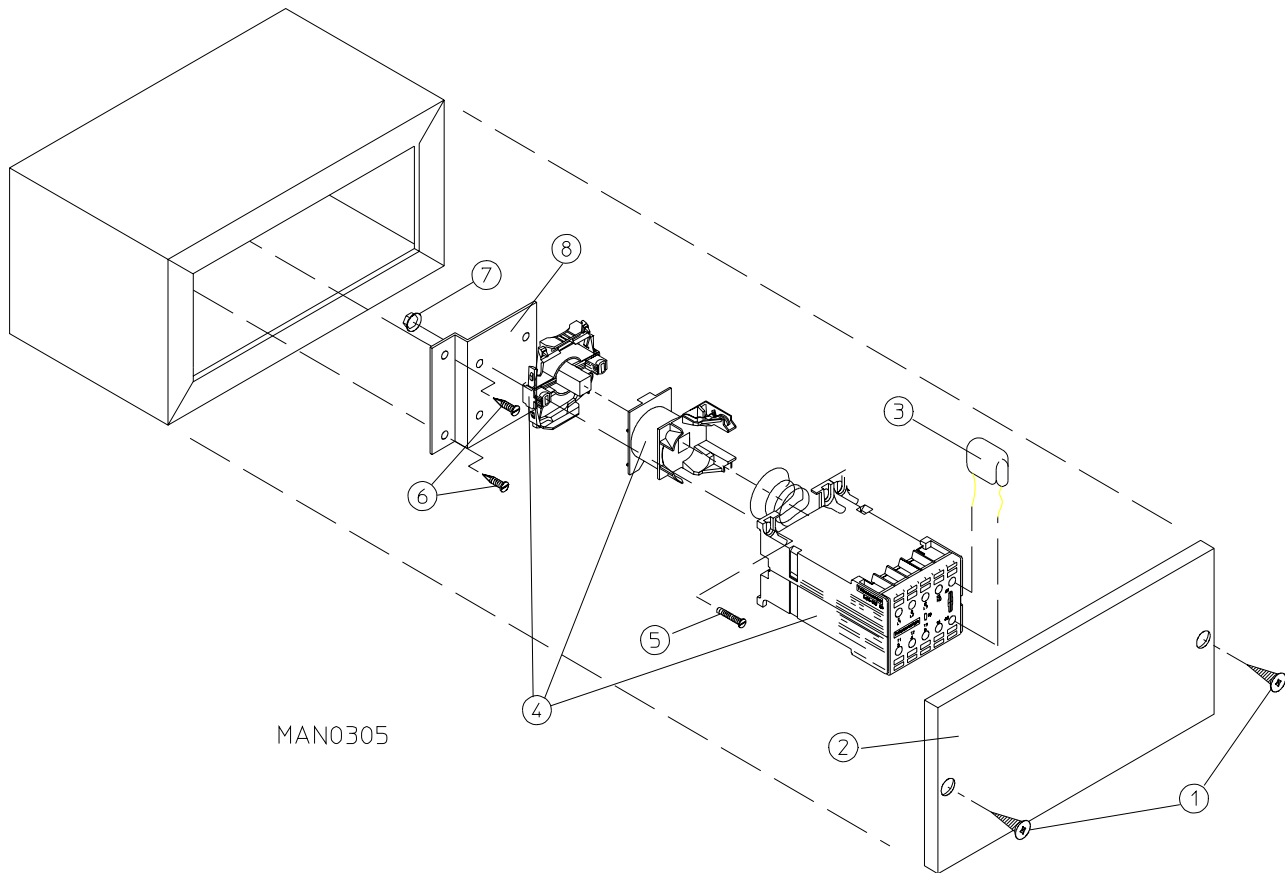


MAN0185

<u>Illus. No.</u>	<u>Part No.</u>	<u>Qty.</u>	<u>Description</u>
1	140111	1	Holding Coil
2	140112	1	Booster Coil
3	140110	1	Secondary Coil

3-Phase (3Ø) Motor, Electric Relay Panel Assembly

Telemecanique (208/230 VAC Controls)

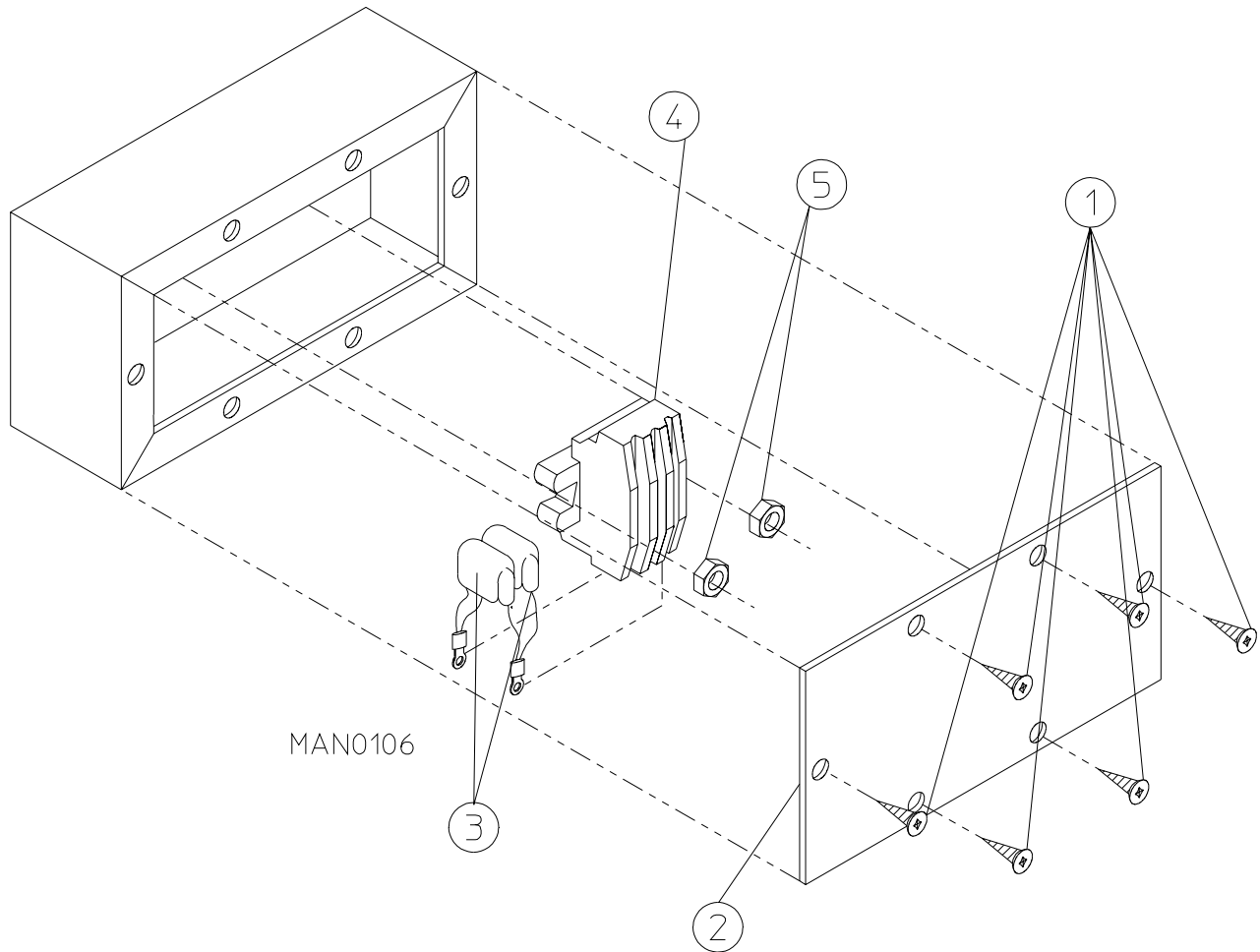


<u>Illus. No.</u>	<u>Part No.</u>	<u>Qty.</u>	<u>Description</u>
1	150415	6	#10-16 x 1/2" Phillips Round Head Crimptite Screw
2	311913	1	Service Box Cover Plate (9-7/8" x 4-3/8")
	311921	1	Service Box Cover Plate (9-7/8" x 5-3/4")
3*	137015	1	Arc Suppressor Capacitor ONLY
4	132425	1	Impellor Contactor (208/230/240v 50/60 Hz)
	132427	1	Impellor Contactor Replacement Coil (208/230/240v 50/60 Hz)
5	151000	4	#8-32 x 1/2" Round Head Machine Screw
6	150300	2	#10-16 x 1/2" Hex Washer TEK Screw
7	151001	4	#8-32 Pal Nut
8	311920	1	3-Phase (3Ø) Non-Reversing Contactor Mounting Bracket

* For use on microprocessor models ONLY.

3-Phase (3Ø) Motor, Electric Relay Panel Assembly

Furnas (208/230 VAC Controls)

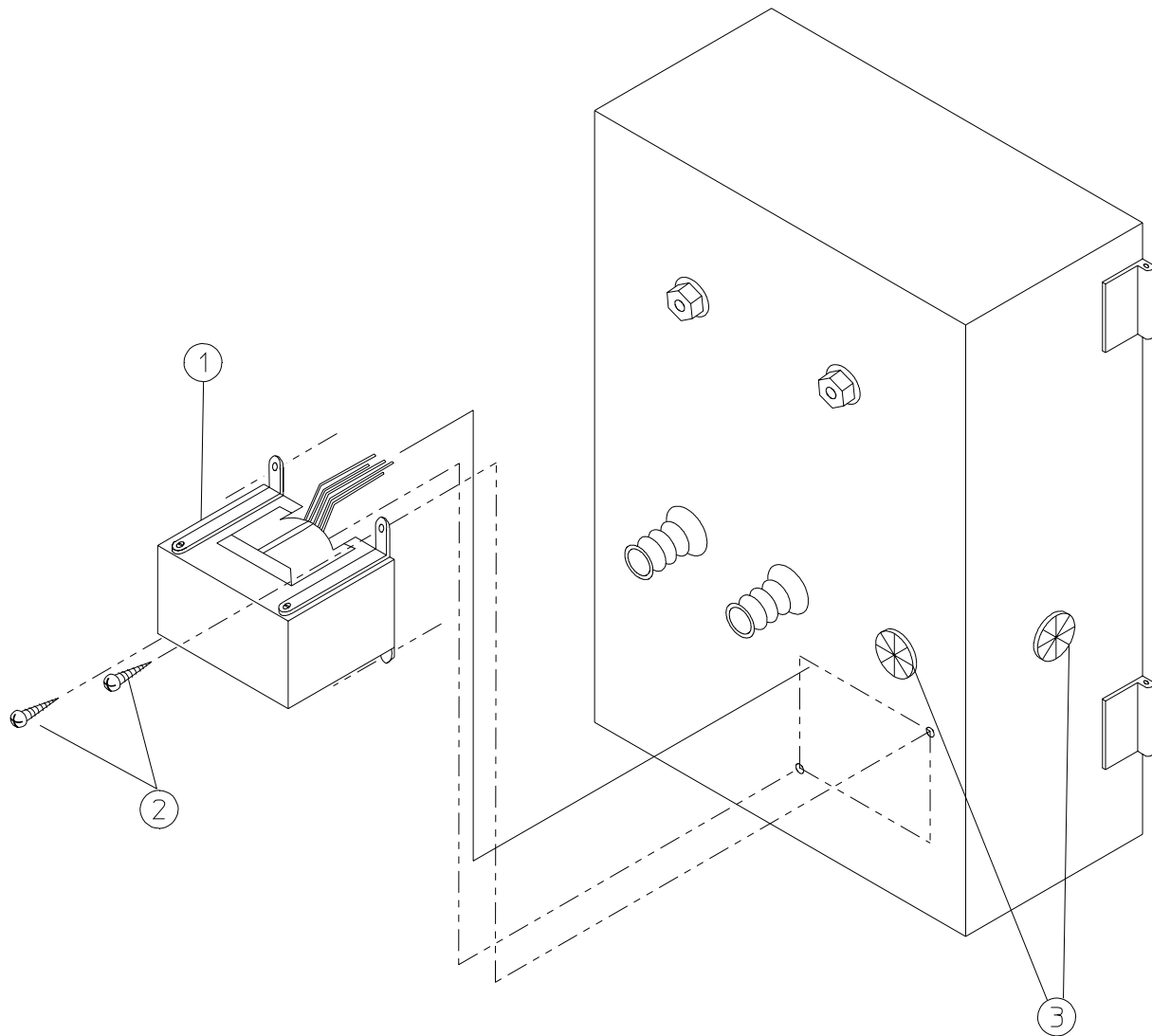


<u>Illus. No.</u>	<u>Part No.</u>	<u>Qty.</u>	<u>Description</u>
1	150415	6	#10-16 x 1/2" Phillips Round Head Crimptite Screw
2	311913	1	Service Box Cover Plate (9-7/8" x 4-3/8")
3*	880662	1	Dual RC Suppressor ONLY
4	132400	1	Impellor Contactor ONLY
5	151001	4	#8-32 Pal Nut

* For use on microprocessor models ONLY.

Control/Heat Step Down Transformer

For Glo-Bar® Ignition Models ONLY

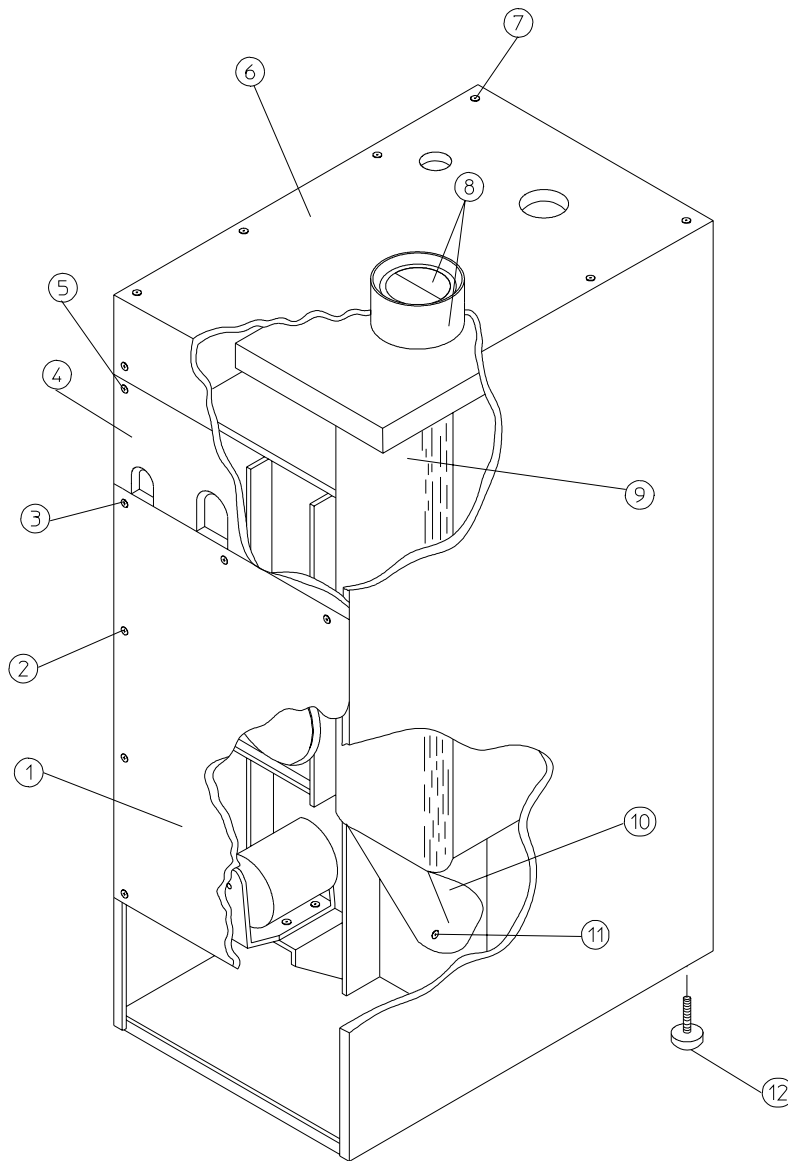


MAN0206

<u>Illus. No.</u>	<u>Part No.</u>	<u>Qty.</u>	<u>Description</u>
1*	132002	1	200-Watt Transformer 115 VAC (terminals not included)
2	150415	2	#10-16 x 1/2" Phillips Round Head Crimptite Screw
3	121400	2	Universal Bushing
--	880120	1	Terminal Package for Glo-Bar® Transformer...Not Illustrated

* Used on 208/230 volt models ONLY.

Outer Top/Back Guard Assembly



MAN0142

<u>Illus. No.</u>	<u>Part No.</u>	<u>Qty.</u>	<u>Description</u>
1	330626	1	Back Guard
2	150301	6	#8-18 x 7/16" Phillips Pan Head TEK Screw
3	150300	3	#10-16 x 1/2" Hex Washer TEK Screw
4	330623	1	Center Back Guard
5	150300	3	#10-16 x 1/2" Hex Washer TEK Screw
6	330621	1	Outer Top Guard
7	150300	11	#10-16 x 1/2" Hex Washer TEK Screw
8	880502	1	Heat Reclaimer (6") Damper Assembly
9	143517	1	42" Long x 7" Oval Duct
10	143515	1	6" Round x 7" Oval - 90° Boot
11	150300	2	#10-16 x 1/2" Hex Washer TEK Screw
12	103500	4	Adjustable Leveling Leg
---	117505	4	Aluminum Duct Tape (sold by the foot)...Not Illustrated

<u>Part No.</u>	<u>Description</u>
112027	“Water Washed Fabrics” Label
112040	“Lint Compartment” Label
112041	“Caution-Exhausted” Label
112530	“Program Location Summary” Coin Label
112531	“Phase 3 OPL Program Location Summary” Label
120100	3/8” Straight (BX) Connector
120300	3/8” x 45° (BX) Connector
120400	3/8” Red Jacket (BX) Insulator
120500	3/8” Jiffy Clip (BX Retainer Clip)
120600	3/8” Greenfield (BX)
120800	1/4” In-Line Connector
120802	Red Butt Connector
120902	#74B Wire Nut
120903	Crimp-on Wire Nut
121014	1/4” Insulated (female) Terminal
121026	Tab Receptacle Combination
121499	5-1/2” Harness Tie
121500	8” Harness Tie
121503	Harness Tie Mounting Clip
122804	Manometer (water column test gauge)
880200	Electrical Terminal (assortment) Kit

Microprocessor Coin Acceptor Listing

NOTE: Coin acceptors listed include optical switch (ADC Part No. 137056).

Single Coin*

<u>ADC Part Number</u>	<u>Nation</u>	<u>Description</u>
125100	United States and Canada	25¢ Optic Coin Acceptor
125127	Canada	\$1 Canadian Optic Coin Acceptor
125101	United Kingdom	1 New Pence Optic Coin Acceptor
125114	United Kingdom	20 New Pence Optic Coin Acceptor
125115	United Kingdom	1 English Pound (1£) Optic Coin Acceptor
125102	Belgium	5 Belgian Franc Optic Coin Acceptor
125106	France	1 French Franc Optic Coin Acceptor
125120	France	2 French Franc Optic Coin Acceptor
125124	France	5 French Franc Optic Coin Acceptor
125109	Denmark	1 Danish Krona Optic Coin Acceptor
125125	Netherlands	25¢ Dutch Guilder Optic Coin Acceptor
125108	Australia	10¢ Australian Optic Coin Acceptor
125107	Australia	50¢ Australian Optic Coin Acceptor
125130	Australia	\$1 Australian Optic Coin Acceptor
125123	New Zealand	50¢ New Zealand Optic Coin Acceptor
125104	Japan	100 Yen Optic Coin Acceptor
125103	---	0.882 Token Optic Coin Acceptor
125121	---	0.800 Token Optic Coin Acceptor
125129	---	Muller Token Optic Coin Acceptor

Dual Coin*

<u>ADC Part Number</u>	<u>Nation</u>	<u>Description</u>
125116	United States and Canada	10¢/25¢ Dual Optic Coin Acceptor
125128	Canada	25¢/\$1 Dual Optic Coin Acceptor
125112	United Kingdom	10/20 Pence Dual Optic Coin Acceptor
125110	United Kingdom	10/50 Pence Dual Optic Coin Acceptor
125111	United Kingdom	20/50 Pence Dual Optic Coin Acceptor
125113	United Kingdom	1£/20 Pence Dual Optic Coin Acceptor
125119	Belgium	5/20 Belgian Franc Dual Optic Coin Acceptor
125122	France	2/5 French Franc Dual Optic Coin Acceptor
125117	Denmark	1/5 Danish Krona Dual Optic Coin Acceptor
125131	Denmark	5/10 Danish Krona Dual Optic Coin Acceptor
125126	Netherlands	25/1 Dutch Guilder Dual Optic Coin Acceptor
125118	Singapore	20¢/50¢ Singapore Dual Optic Coin Acceptor
125105	Japan	50/100 Yen Dual Optic Coin Acceptor

* Consult factory for coin acceptors not listed.

A wiring diagram is located on the back side of the control (service) door of each **ADC** dryer. Due to the various electrical options available on the model AD-285 dryer, the wiring diagrams on the following pages may not necessarily depict your specific dryer. The various wiring diagrams are identified by number, in the upper right-hand corner of each diagram.

Table Of Contents

Direct Spark Ignition (DSI) Models (**ADG-285DH**)

Phase 4.1 Coin Computer Dryer Circuits (B622611)	63
Phase 4.1 Coin Computer Dryer Circuits (531880C)	64
Phase 4.1 Coin Computer Input/Output Circuits	65
Phase 4 OPL Computer Dryer Circuits (B622711)	66
Phase 4 OPL Computer Dryer Circuits (531780D)	67
Mechanical Coin Meter Dryer Circuits (B122441)	68
Mechanical Coin Meter Dryer Circuits (131380A)	69
Dual Timer Dryer Circuits (B122311)	70
Dual Timer Dryer Circuits (131280B)	71

Glo-Bar[®] Ignition Models (**ADG-285BH**)

Phase 4 Coin Computer Dryer Circuits (531830)	72
Phase 4 Coin Computer Input/Output Circuits	73
Phase 3 OPL Computer Dryer Circuits (531730)	74
Phase 3 OPL Computer Input/Output Circuits	75
Mechanical Coin Meter Dryer Circuits (121350)	76
Mechanical Coin Meter Dryer Circuits (131350)	77
Dual Timer Dryer Circuits (121250)	78
Dual Timer Dryer Circuits (131250)	79

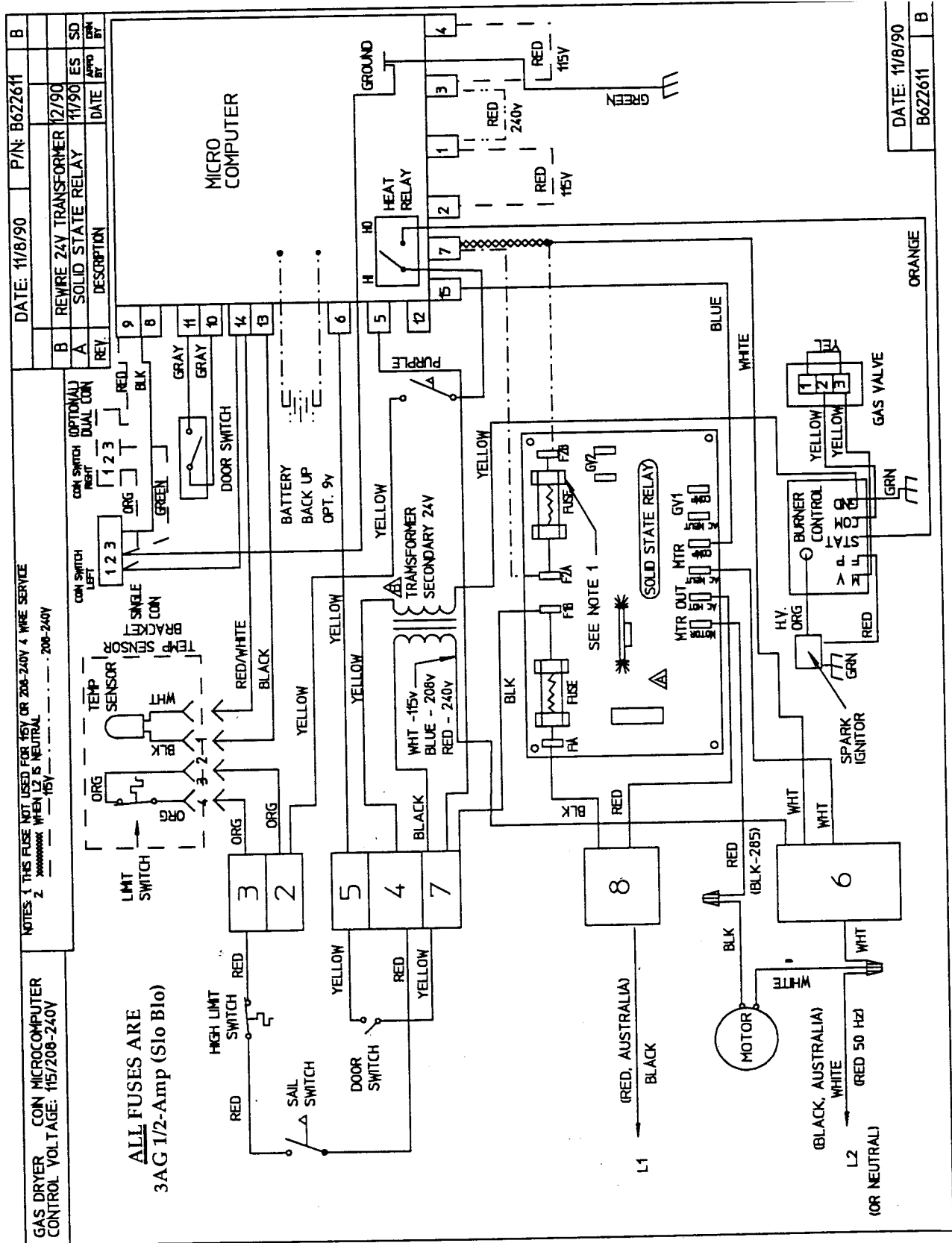
Motor Circuits

Internal Single-Phase (1Ø) Motor Wiring	80
3-Phase (3Ø) Motor Wiring	81

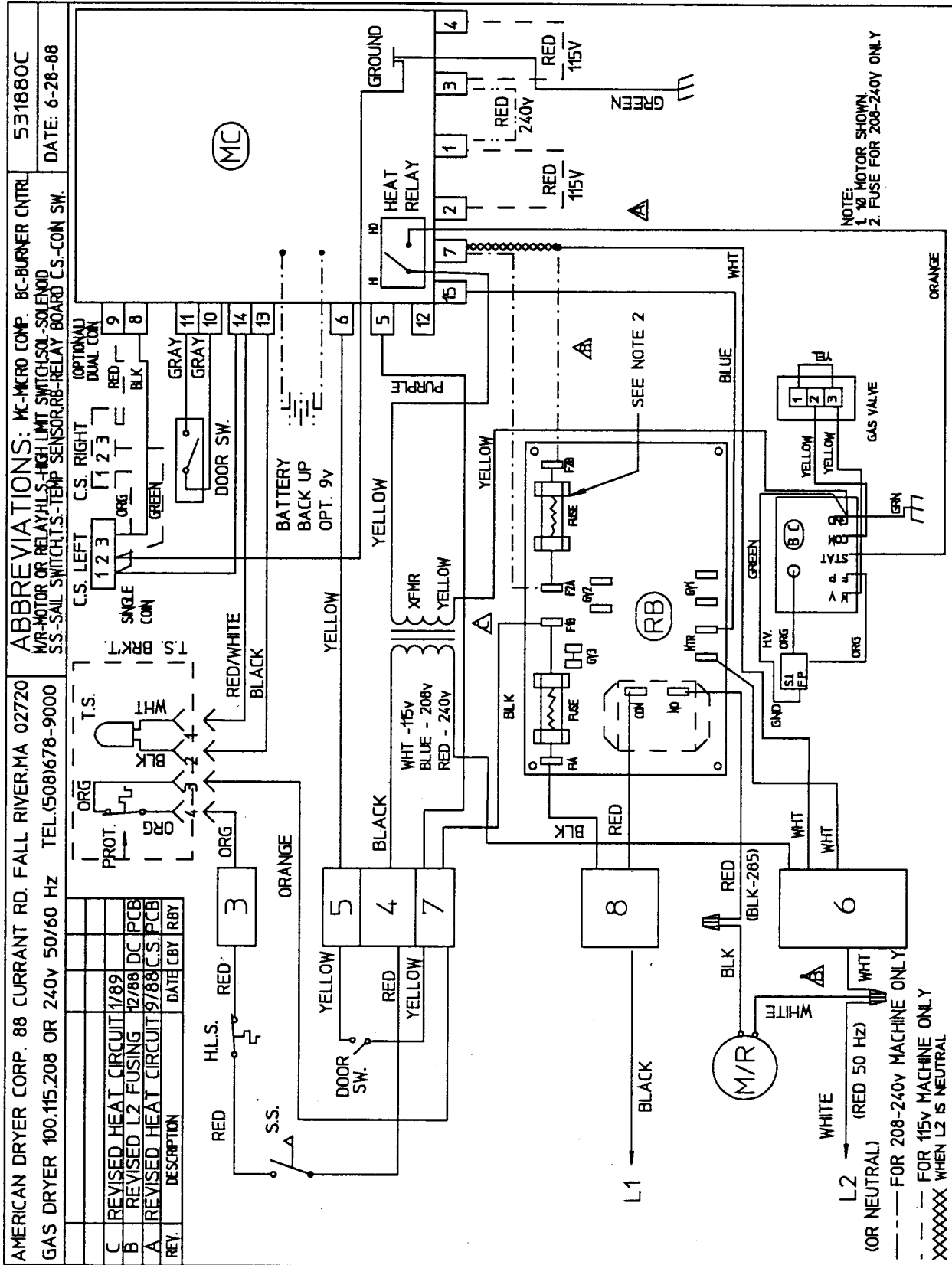
Transformer Wiring

Direct Spark Ignition (DSI) Transformer Wiring	82
Glo-Bar [®] Ignition Transformer Wiring	83

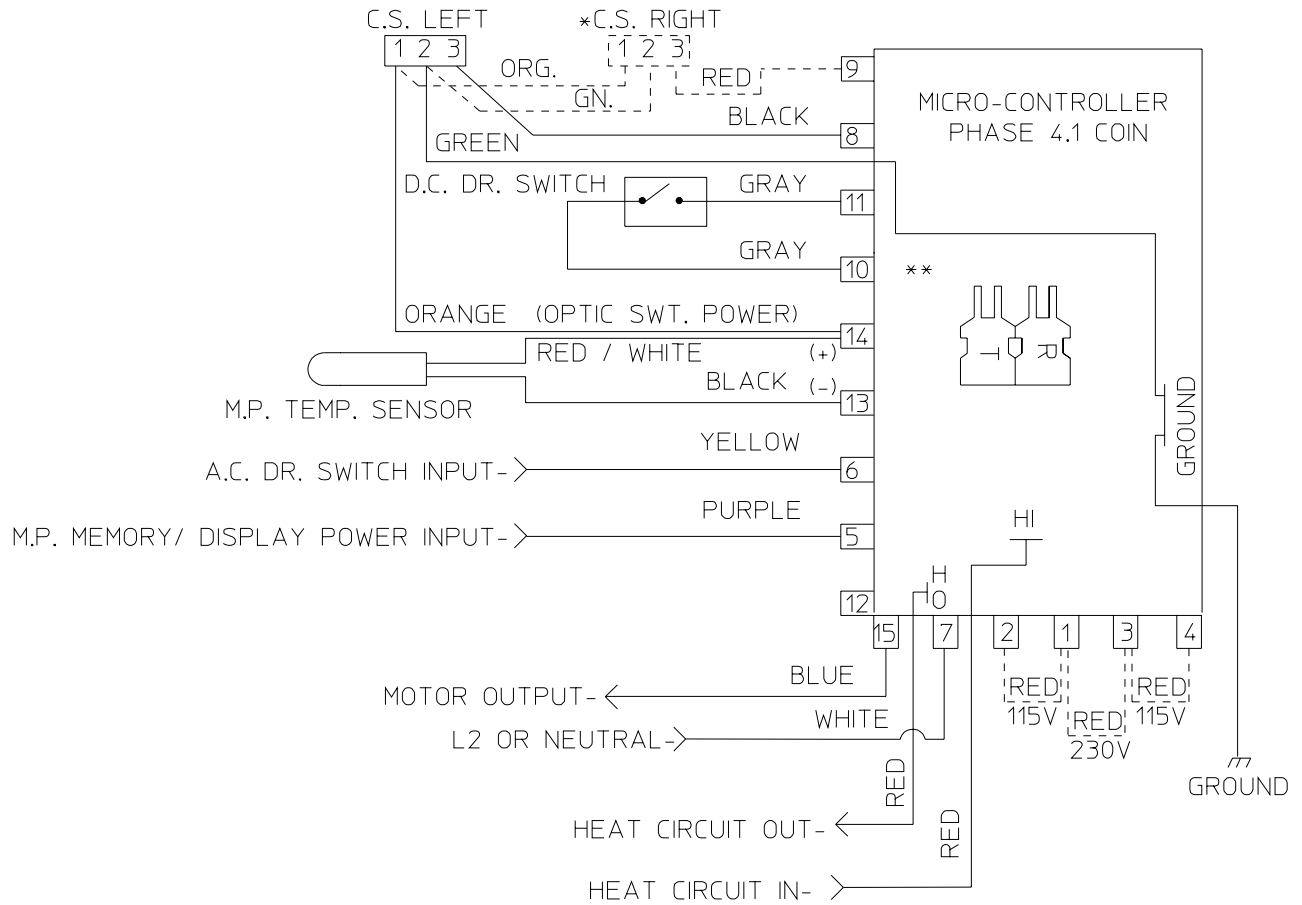
Phase 4.1 Coin Computer Dryer Circuits (B622611)



Phase 4.1 Coin Computer Dryer Circuits (531880C)



Phase 4.1 Coin Computer Input/Output Circuits

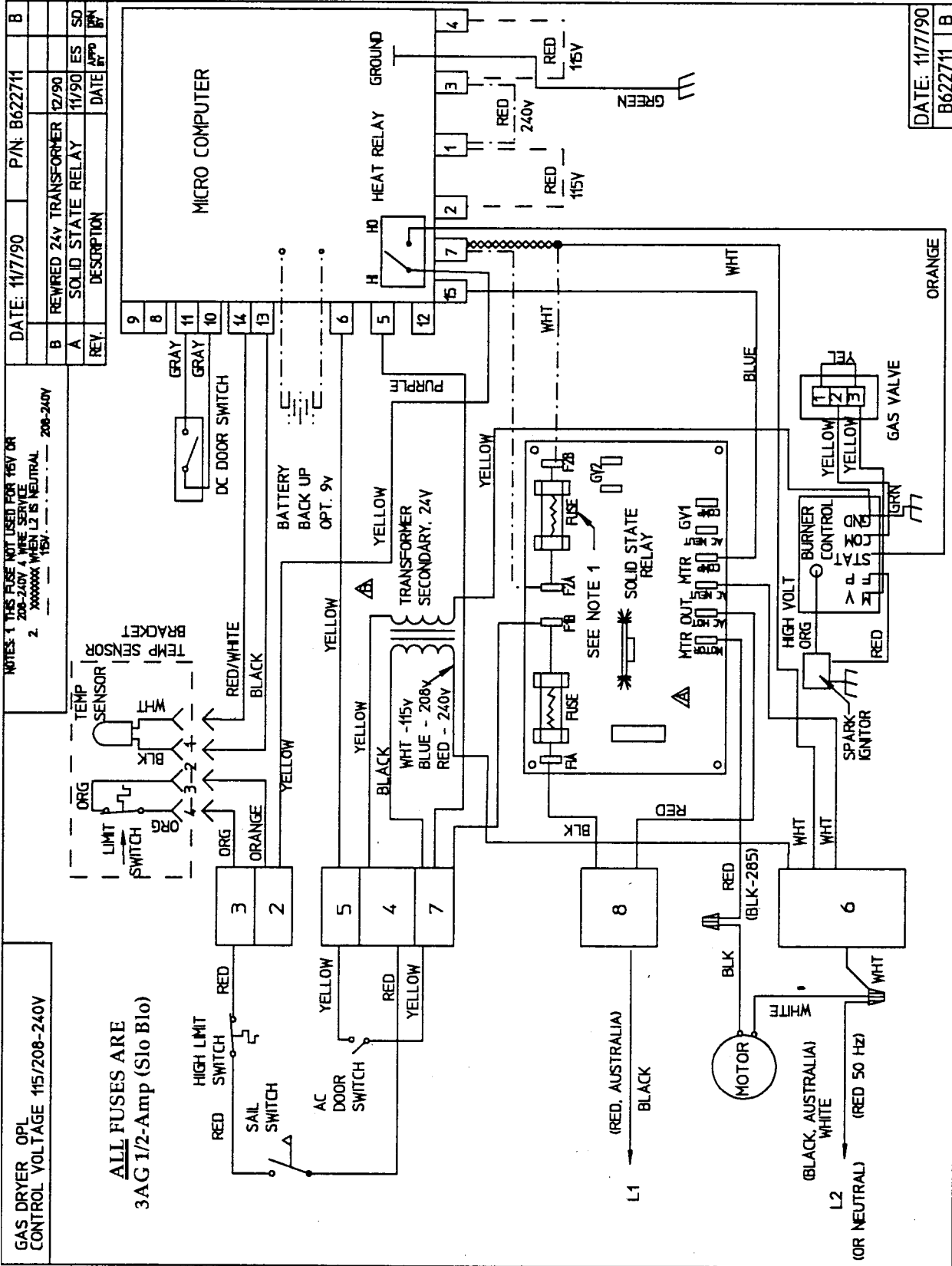


* DUAL COIN MODELS ONLY

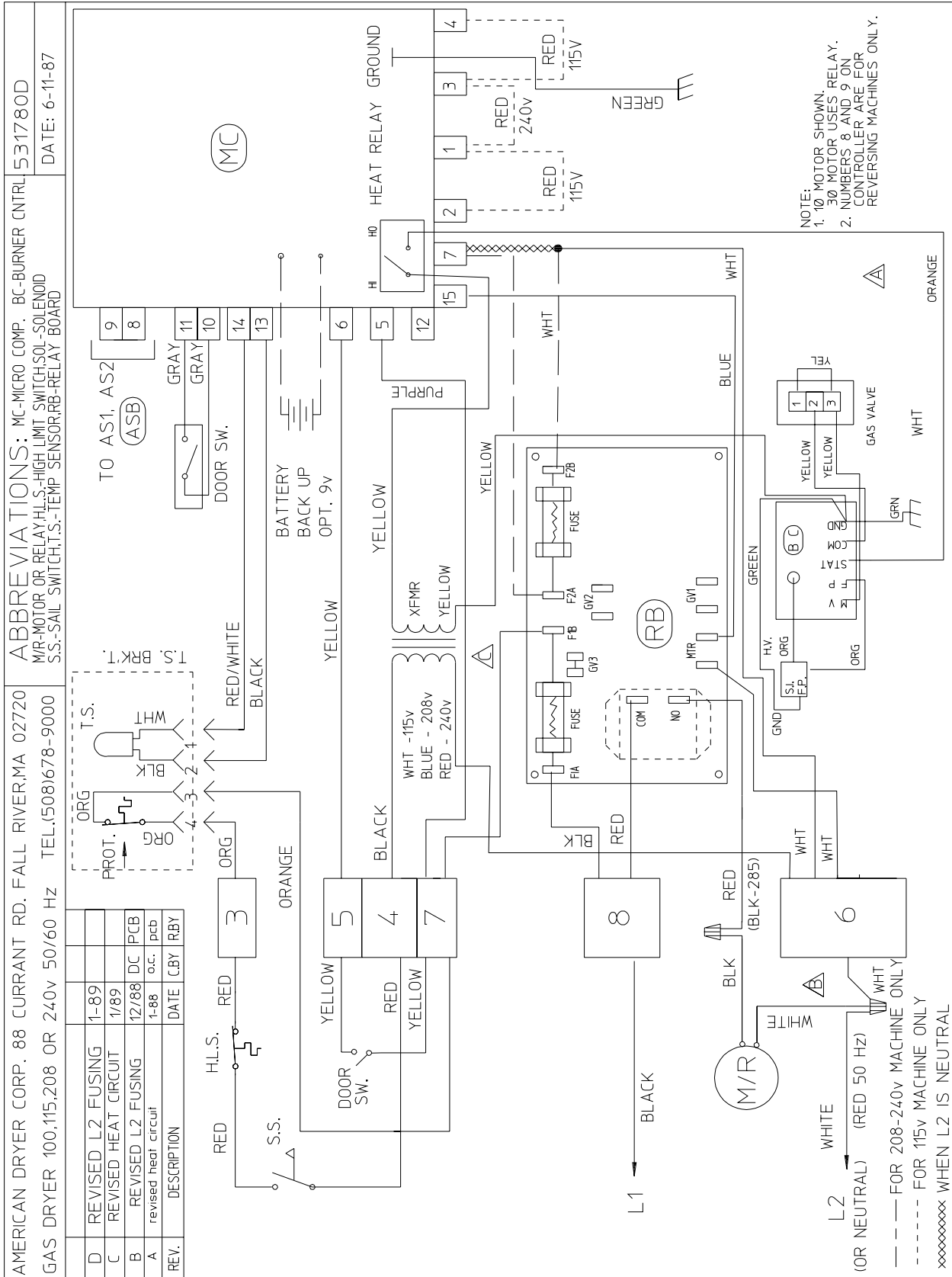
MAN0790

** TRANSMITTER -RECEIVER FIBER OPTIC CONNECTORS

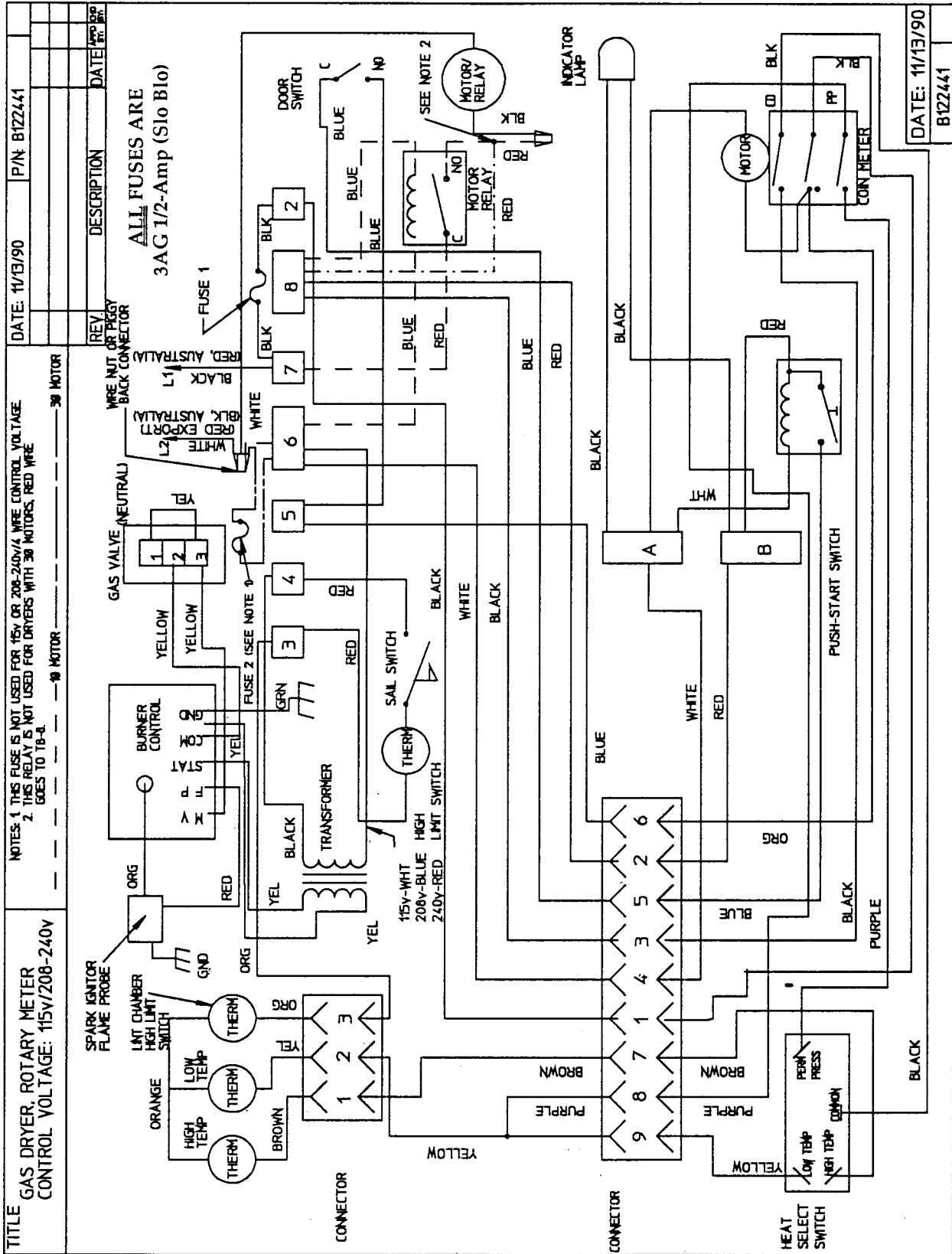
Phase 4 OPL Computer Dryer Circuits (B622711)



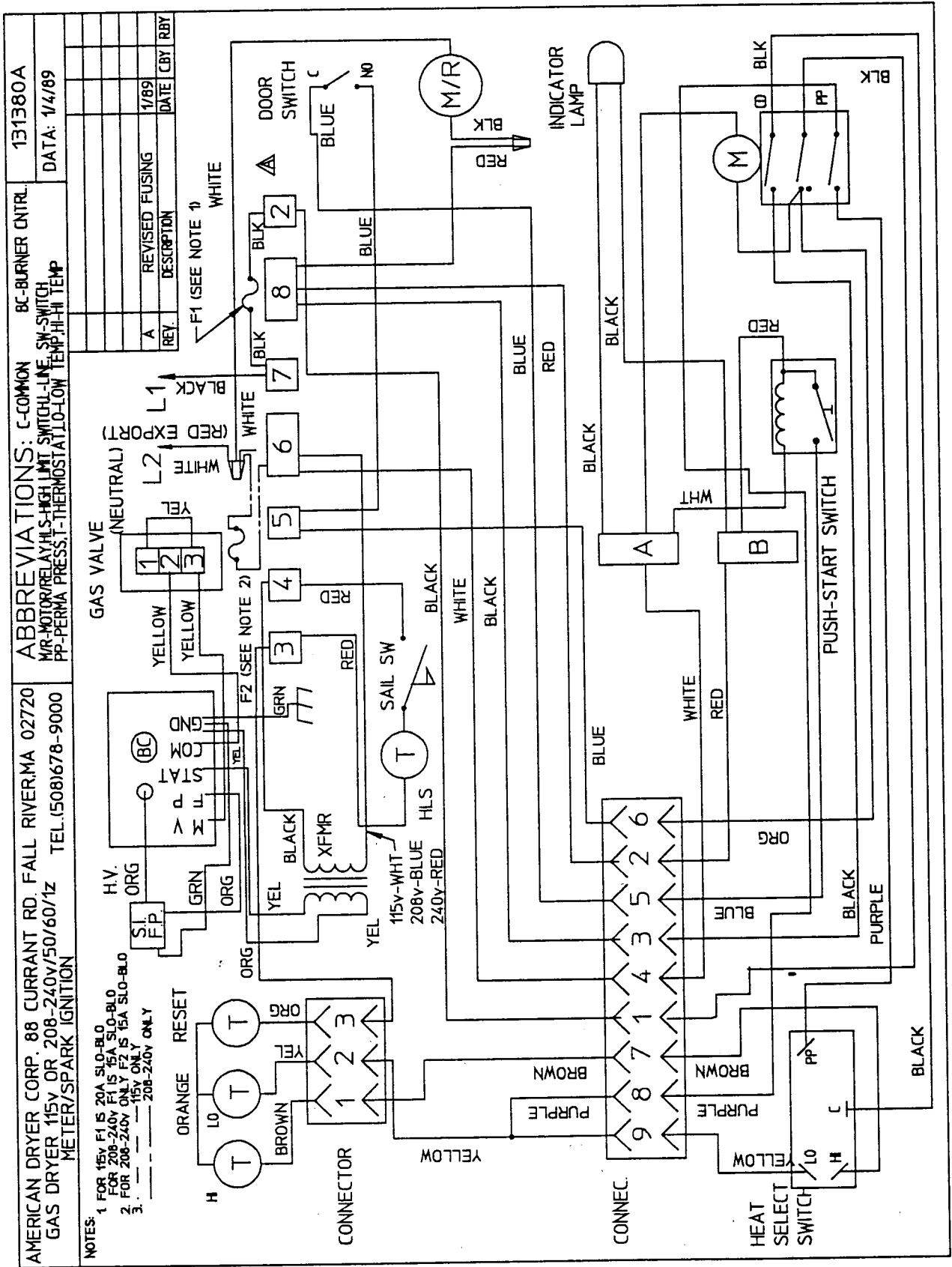
Phase 4 OPL Computer Dryer Circuits (531780D)

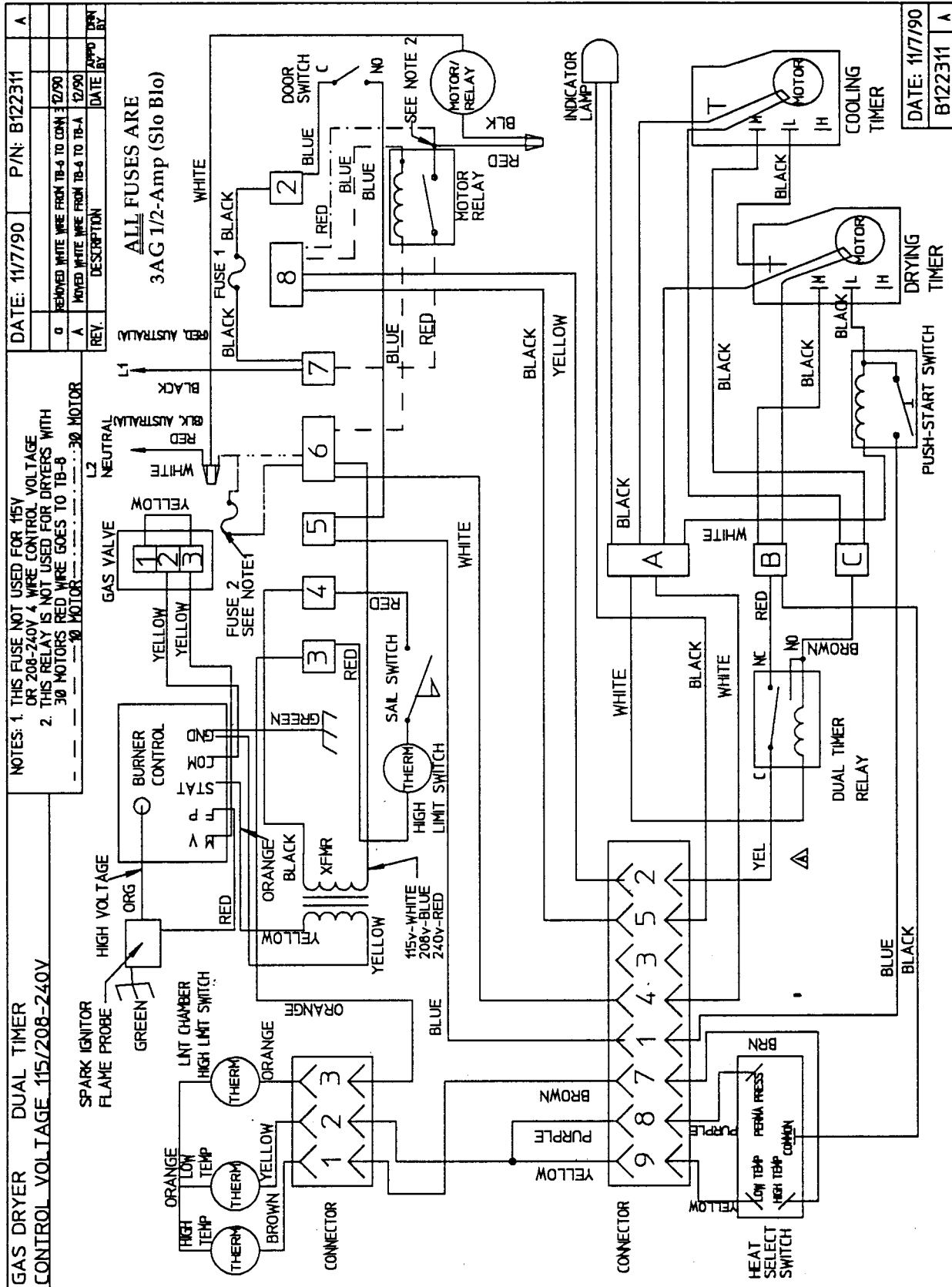


Mechanical Coin Meter Dryer Circuits (B122441)



Mechanical Coin Meter Dryer Circuits (131380A)

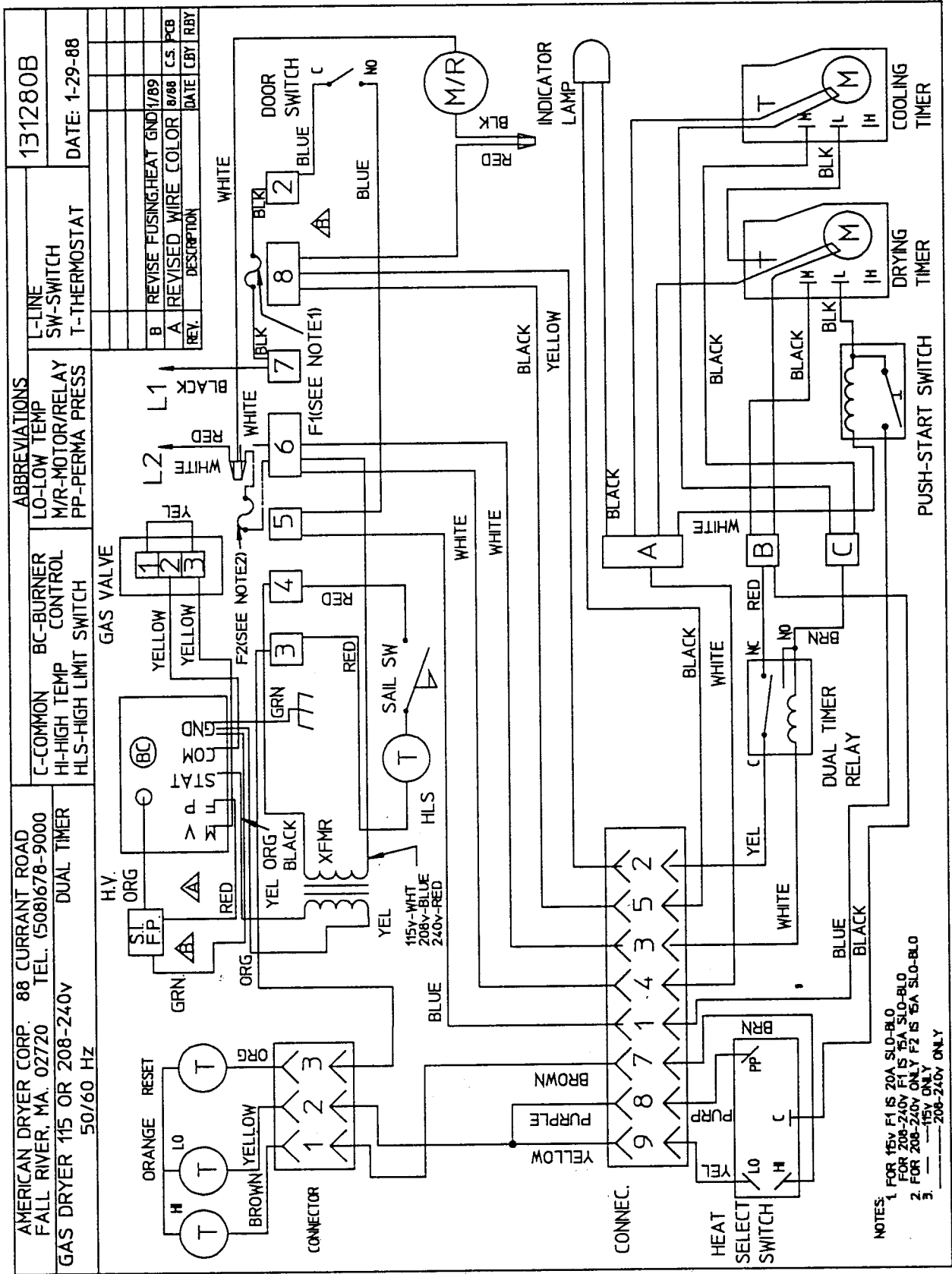




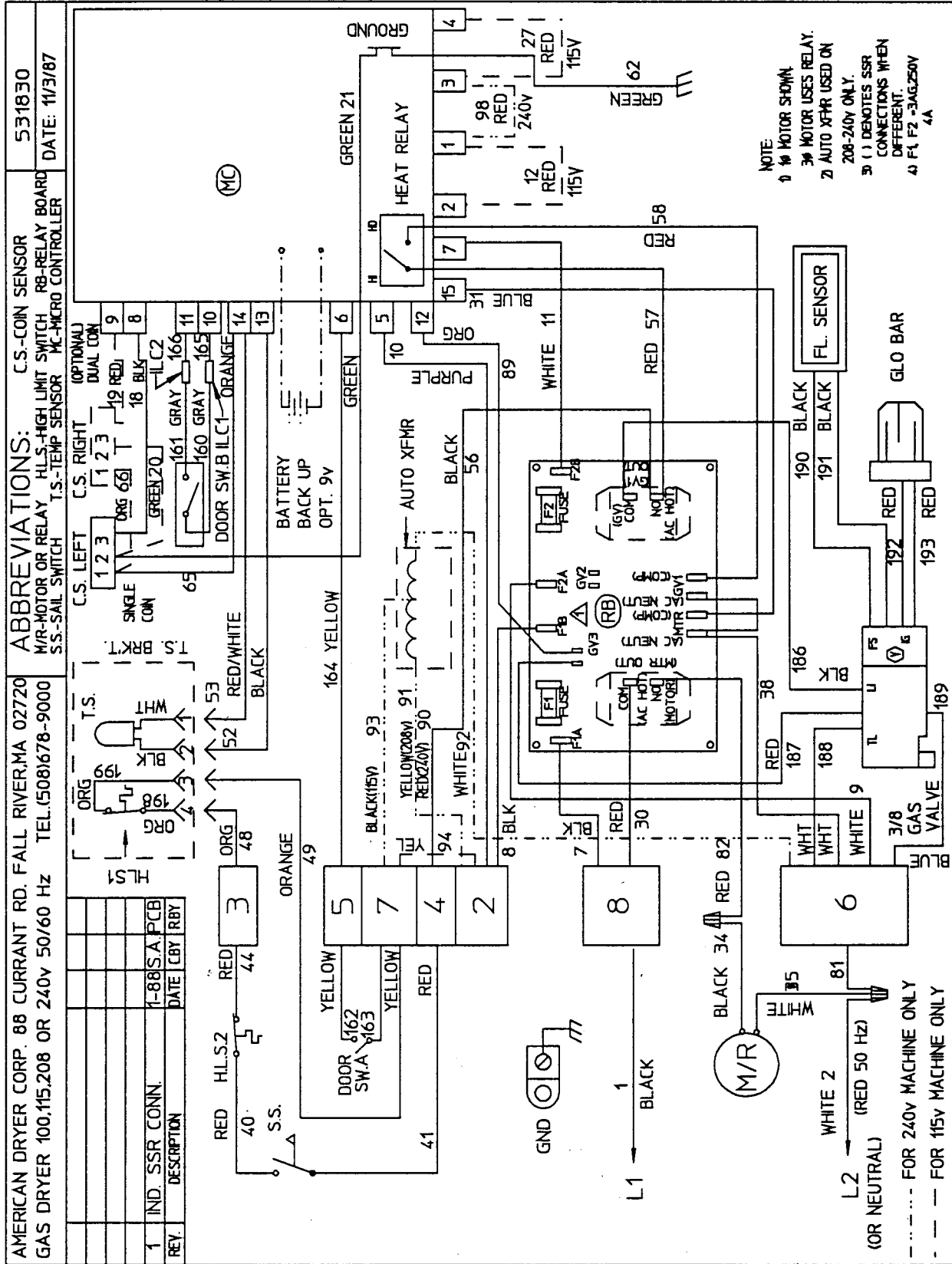
DATE: 11/7/90	P/N: B122311	A
REV. 0	REMOVED WHITE WIRE FROM TB-6 TO CONN 1 12/90	
REV. A	MOVED WHITE WIRE FROM TB-4 TO TB-A 12/90	
REV. B	DESCRIPTION	DATE 11/7/90
REV. C		APPRO BY
REV. D		DRY BY

DATE: 11/7/90	A
B122311	A

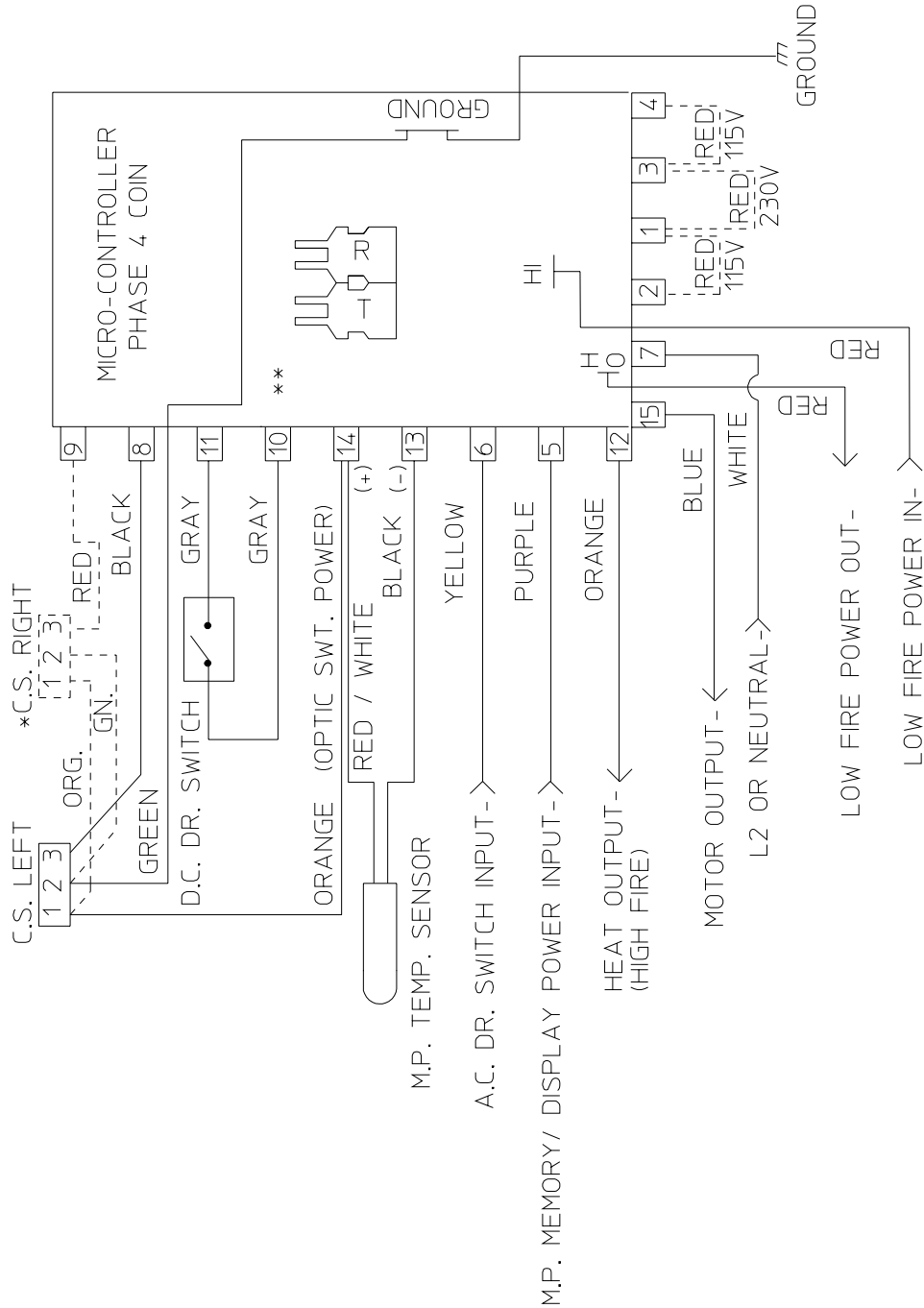
Dual Timer Dryer Circuits (131280B)



Phase 4 Coin Computer Dryer Circuits (531830)



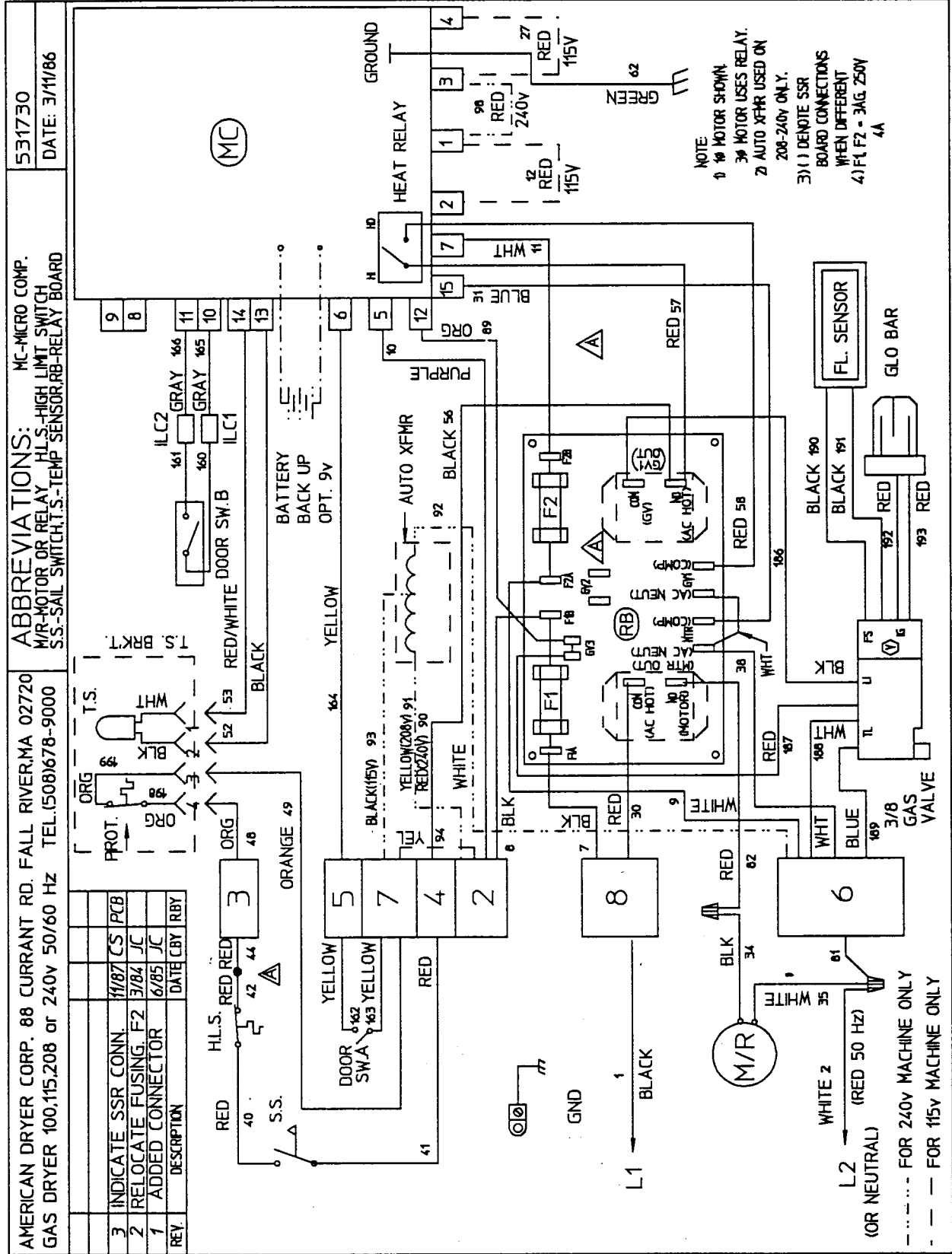
Phase 4 Coin Computer Input/Output Circuits



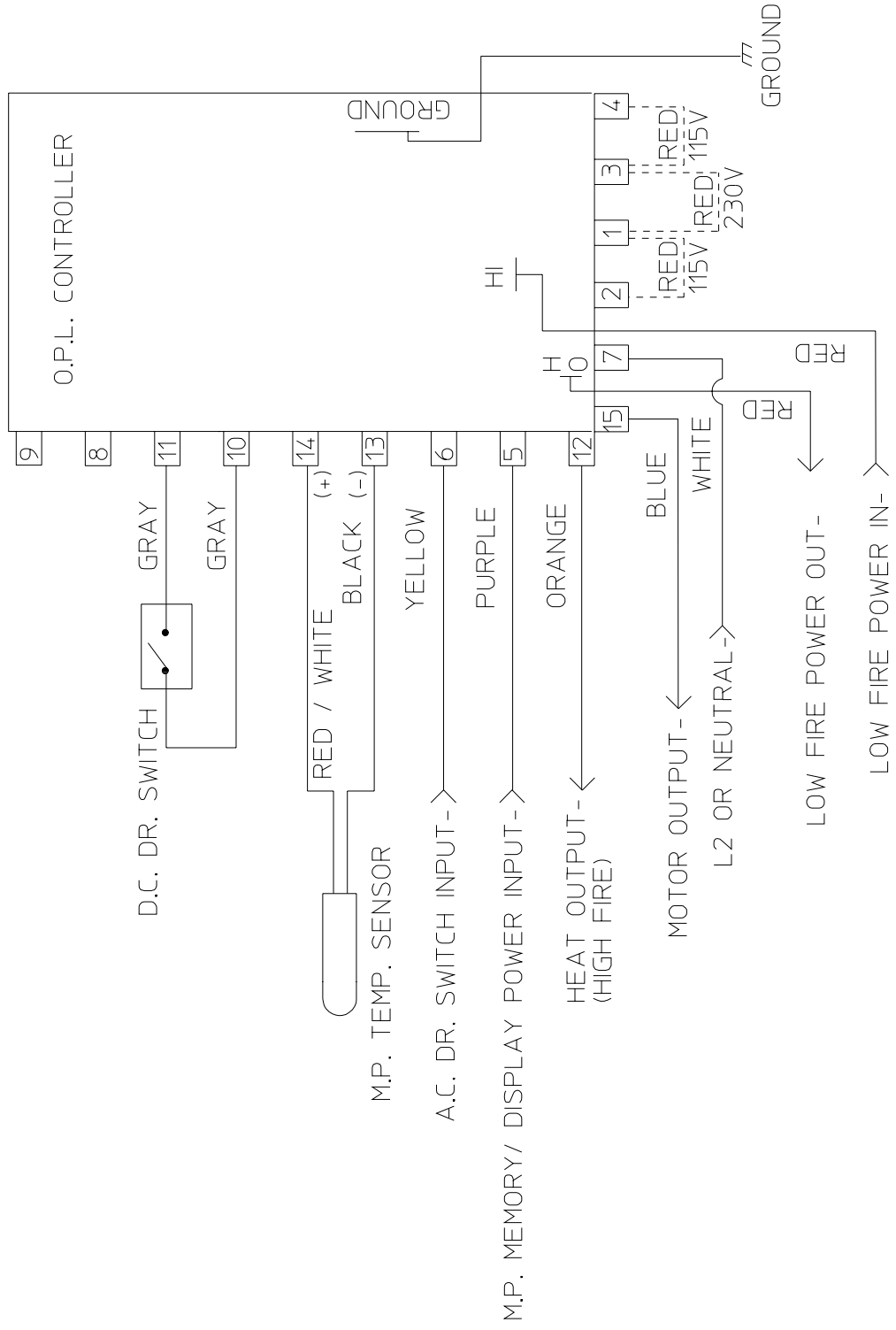
* DUAL COIN MODELS ONLY

** TRANSMITTER -RECEIVER FIBER OPTIC CONNECTORS

MAN0087

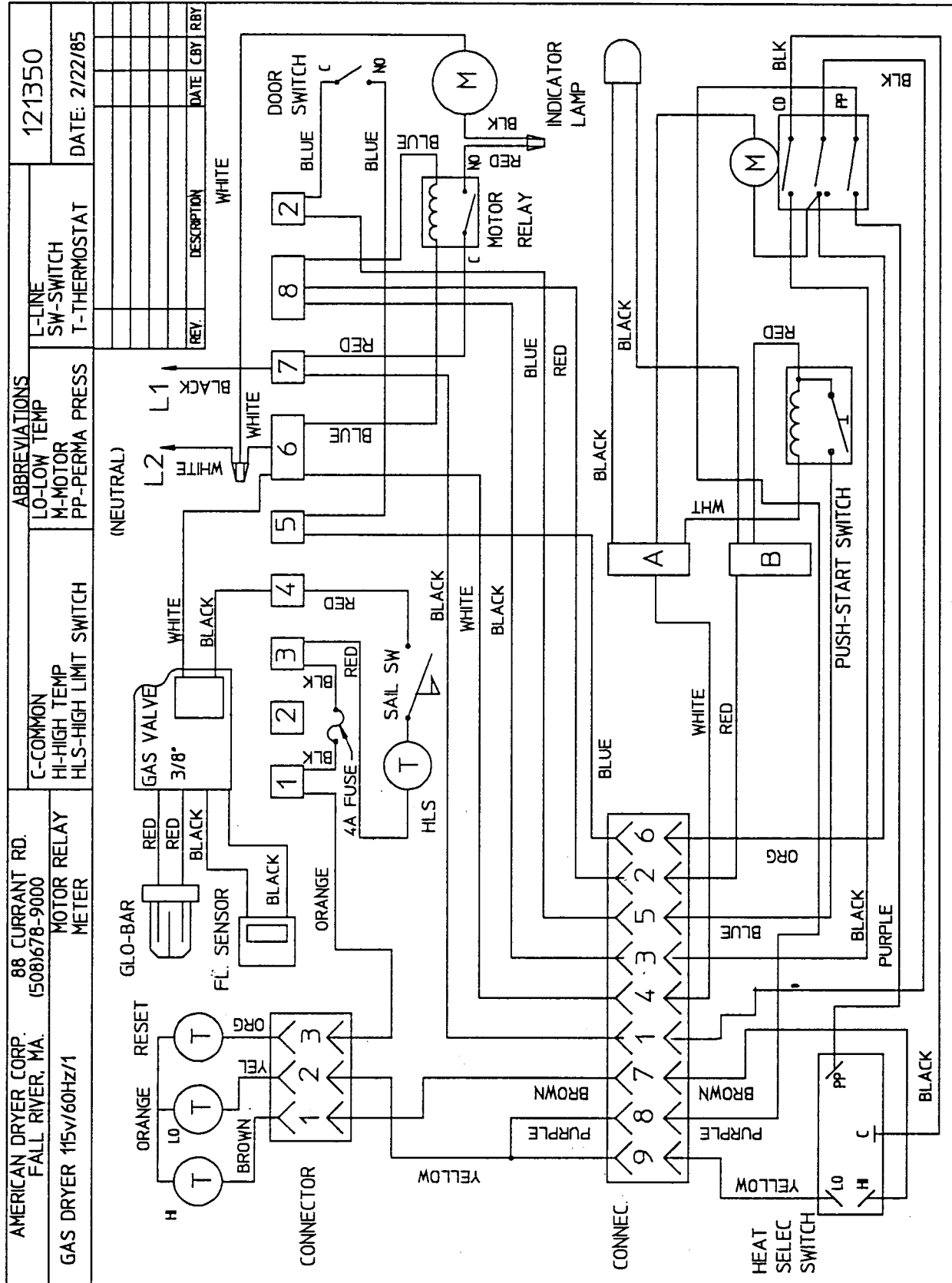


Phase 3 OPL Computer Input/Output Circuits

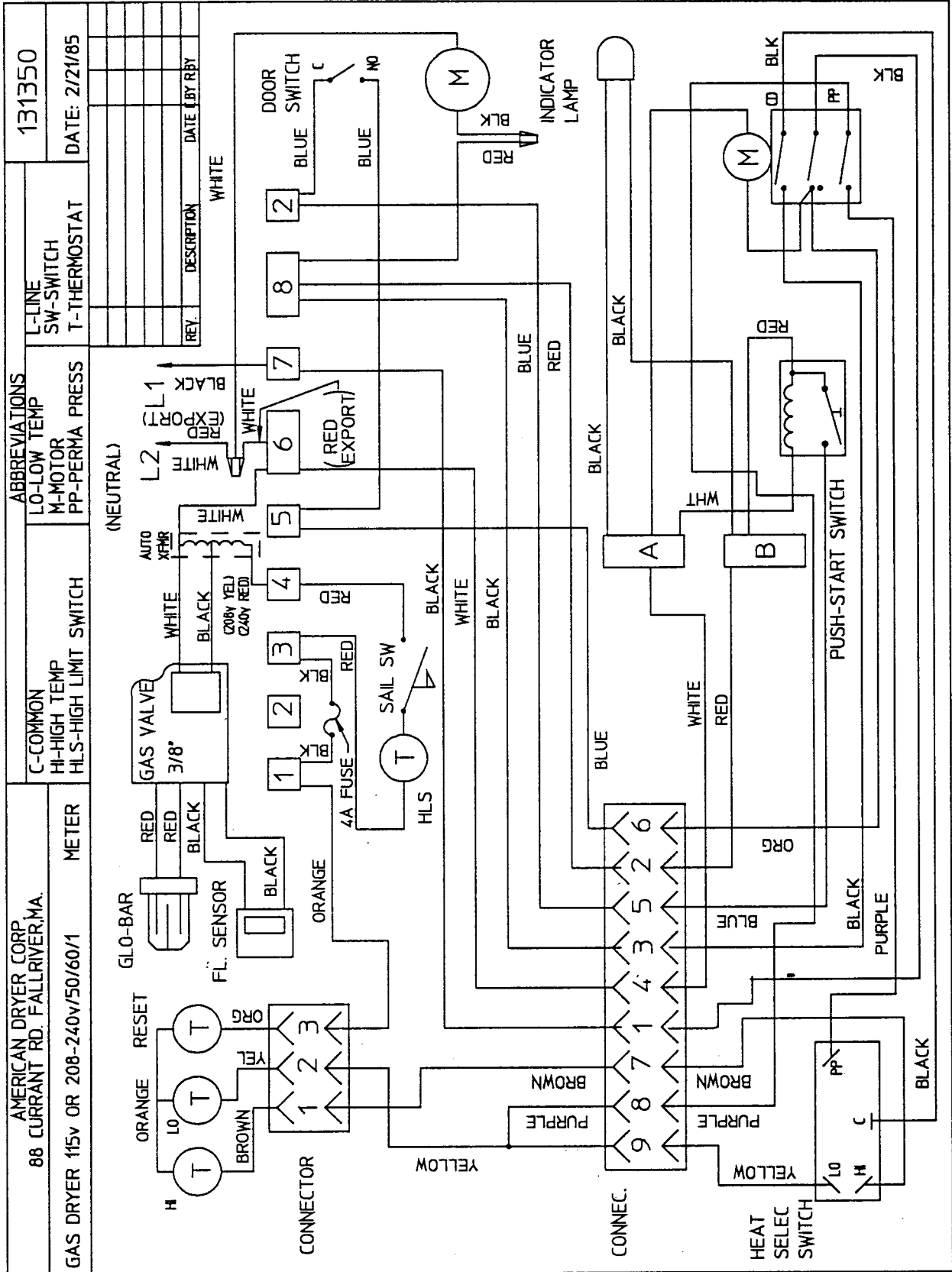


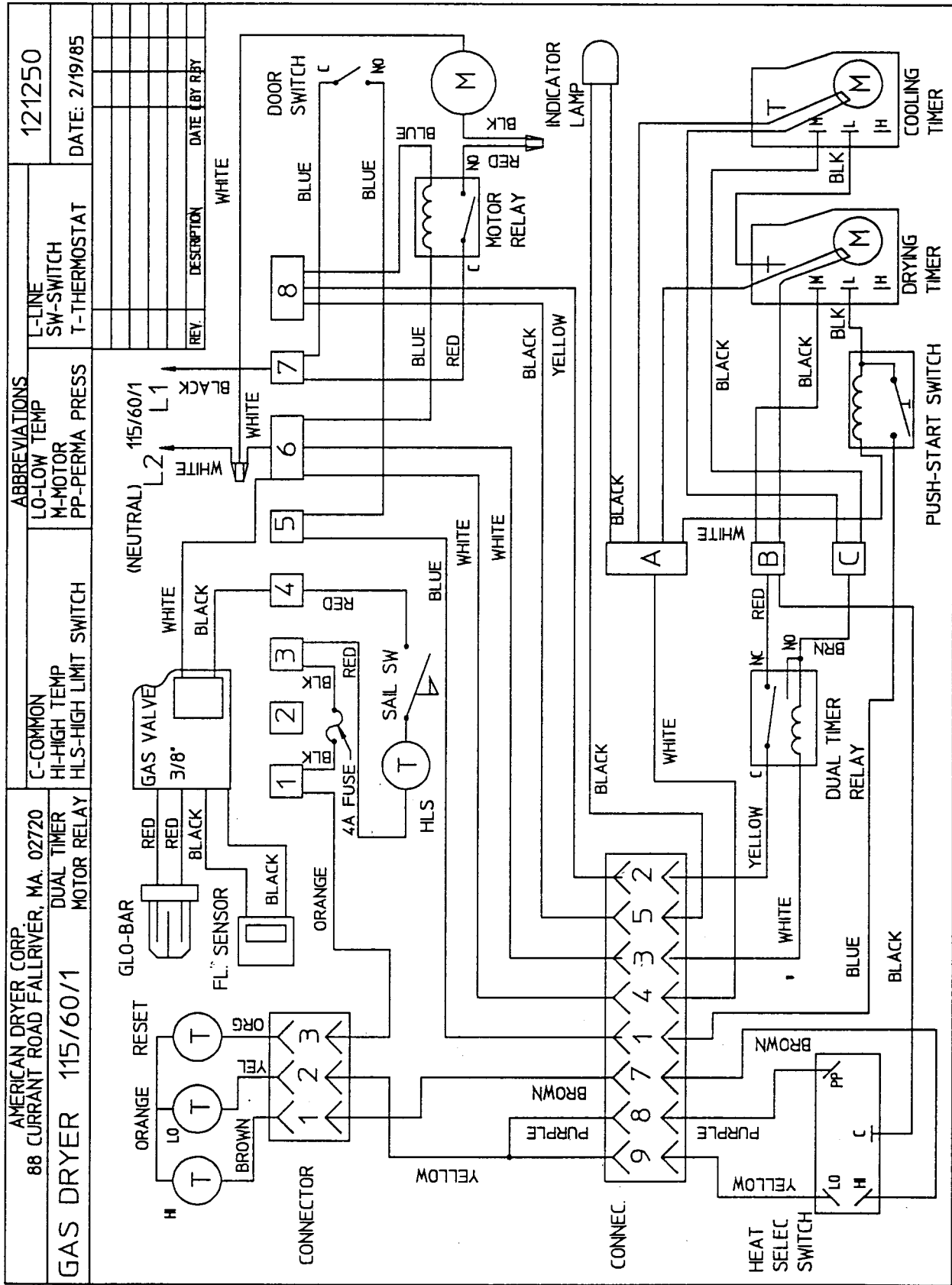
MAN00089

Mechanical Coin Meter Dryer Circuits (121350)

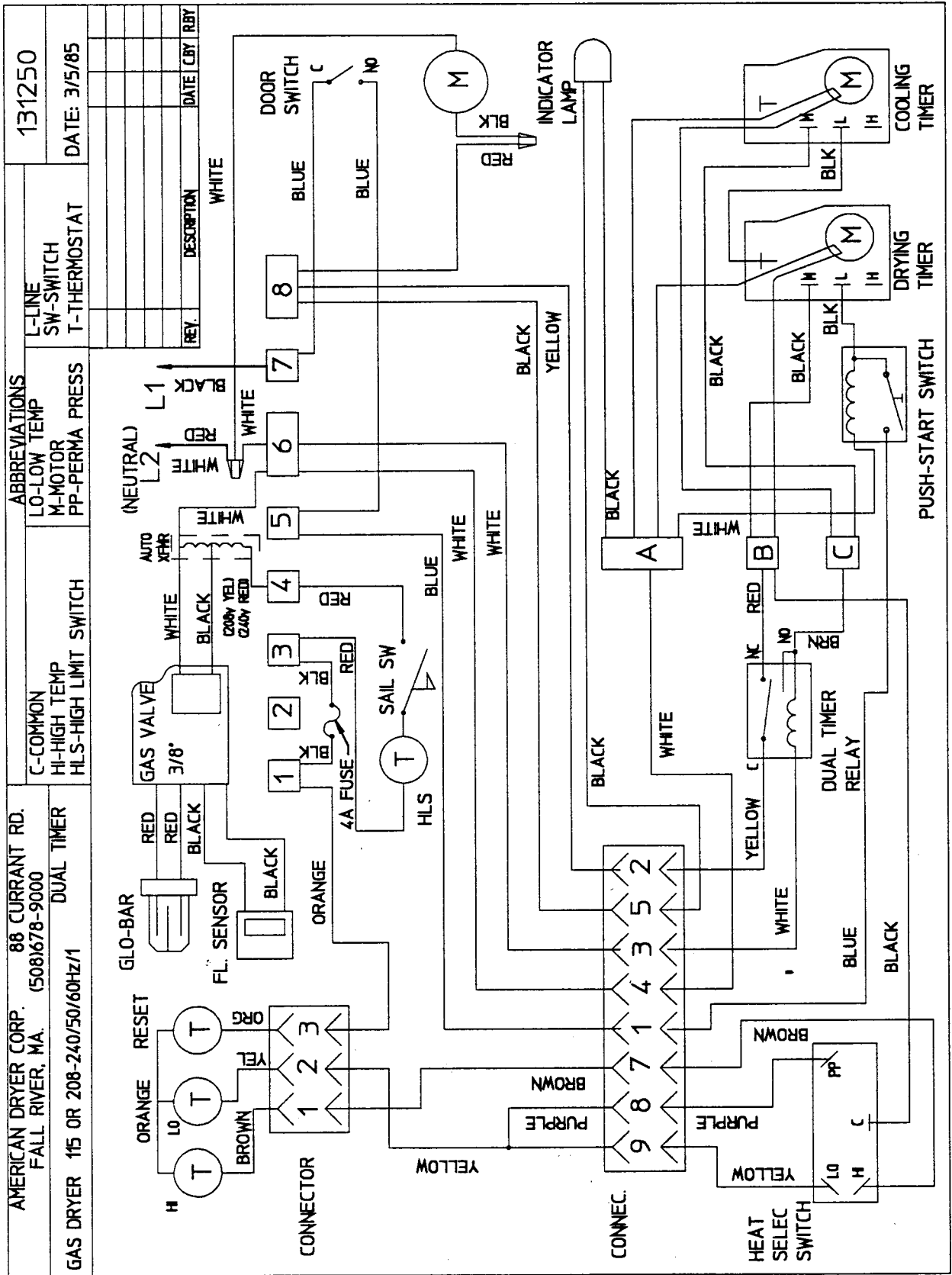


Mechanical Coin Meter Dryer Circuits (131350)





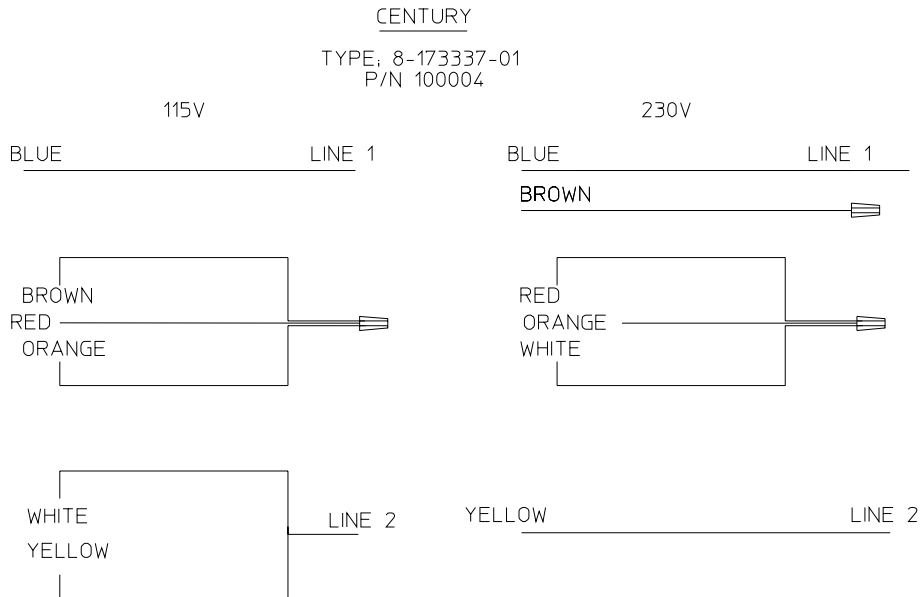
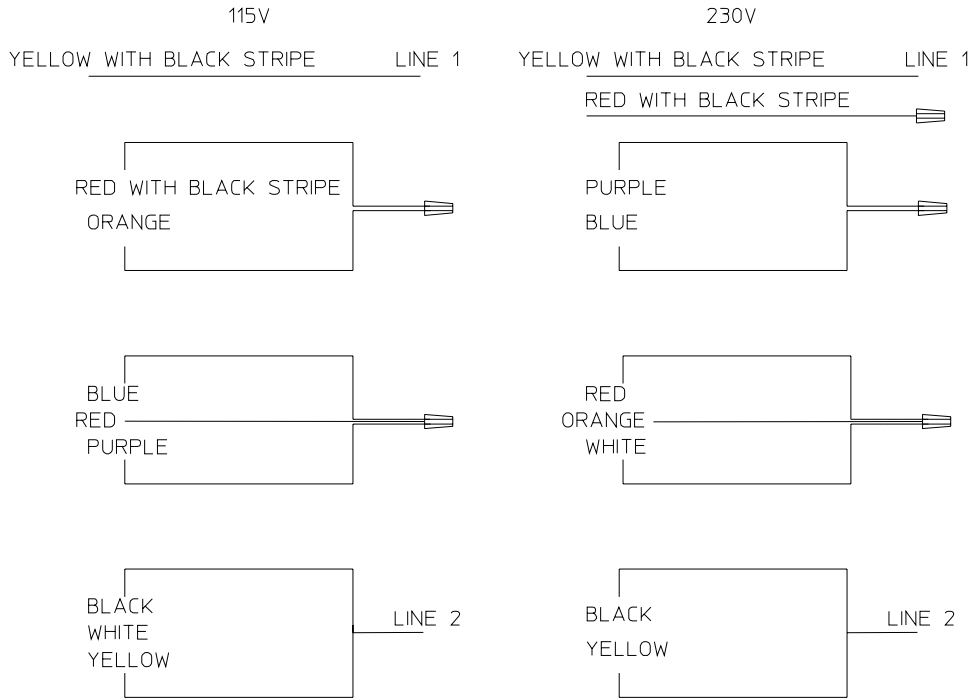
Dual Timer Dryer Circuits (131250)



Internal Single-Phase (1Ø) Motor Wiring

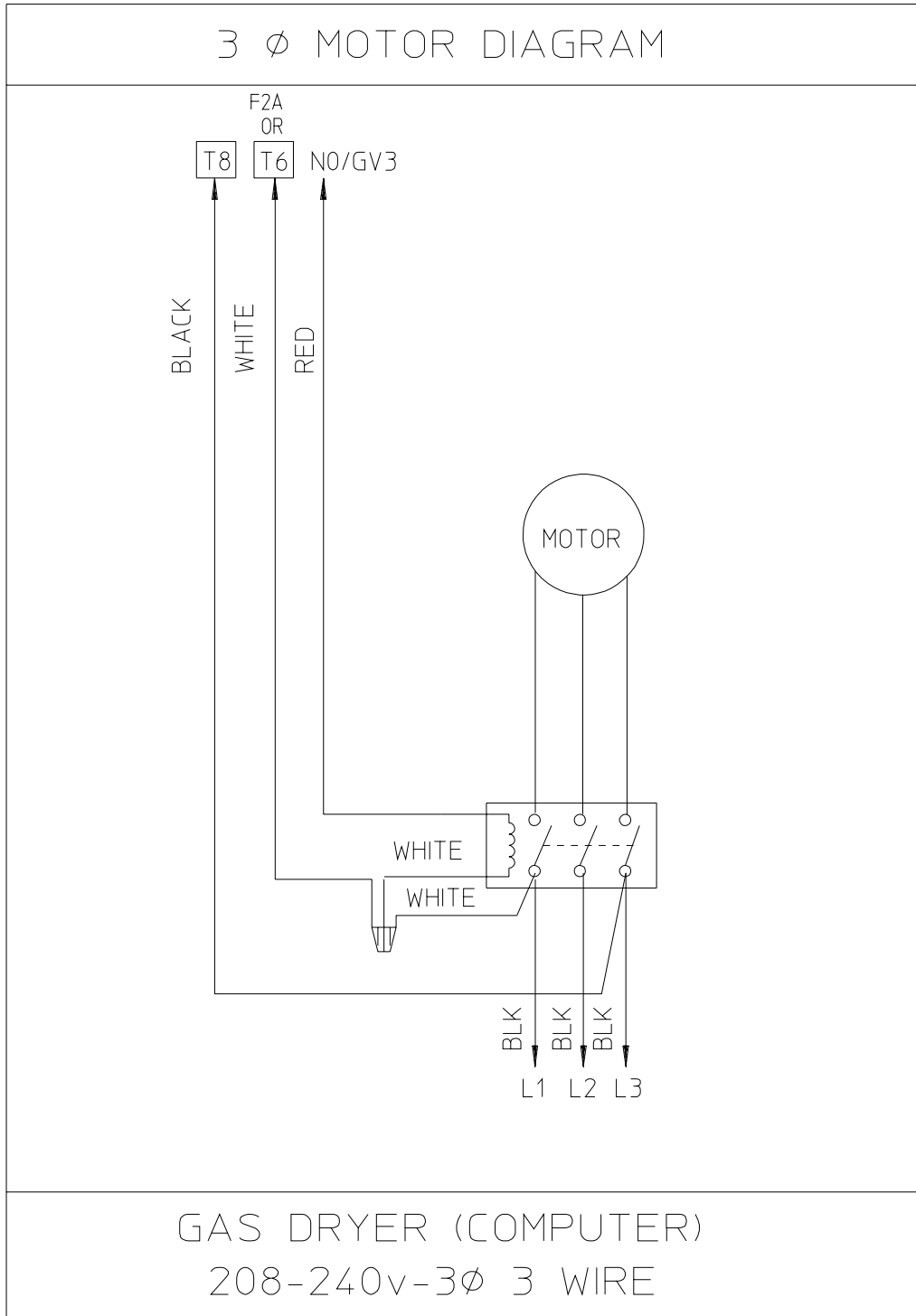
The motor used in an **ADC** dryer is a dual voltage motor. When replacing a motor in the field, the replacement motor could have been pre-wired by the factory for operation at either 115 volts or 230 volts. **Check** the internal wiring of the motor to assure that the motor is wired internally for the correct voltage application.

IMPORTANT: Motor failure due to incorrect voltage application will **void** warranty.



EMERSON
TYPE: SA630XJHP-7278 MAN0080
P/N 100004

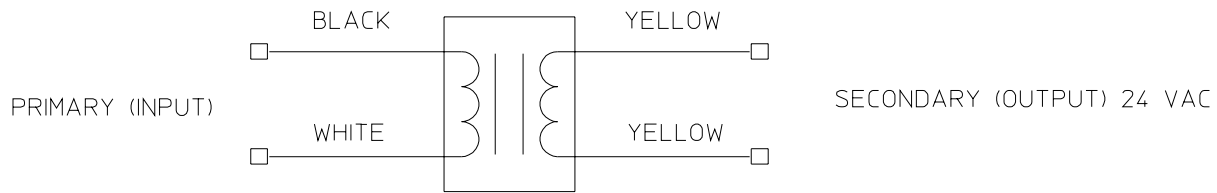
3-Phase (3Ø) Motor Wiring



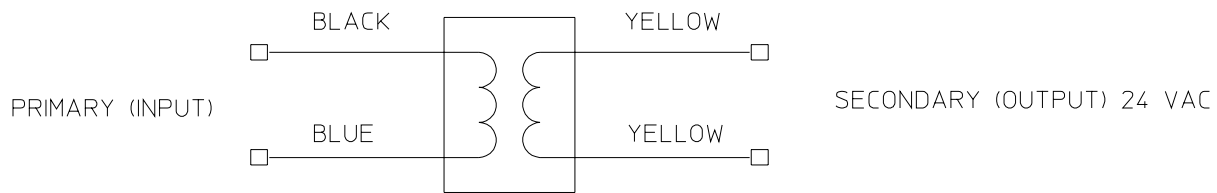
MAN0081

Direct Spark Ignition (DSI) Transformer Wiring

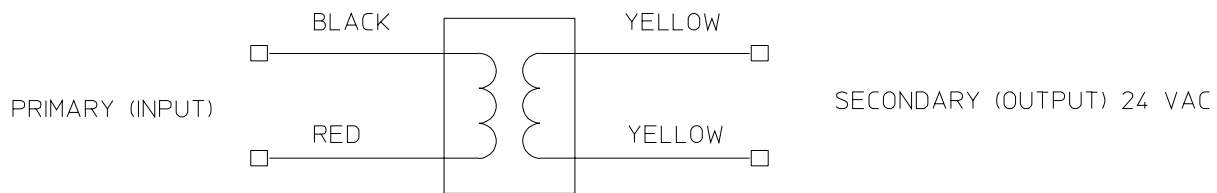
115 VAC CONTROLS



208 VAC CONTROLS



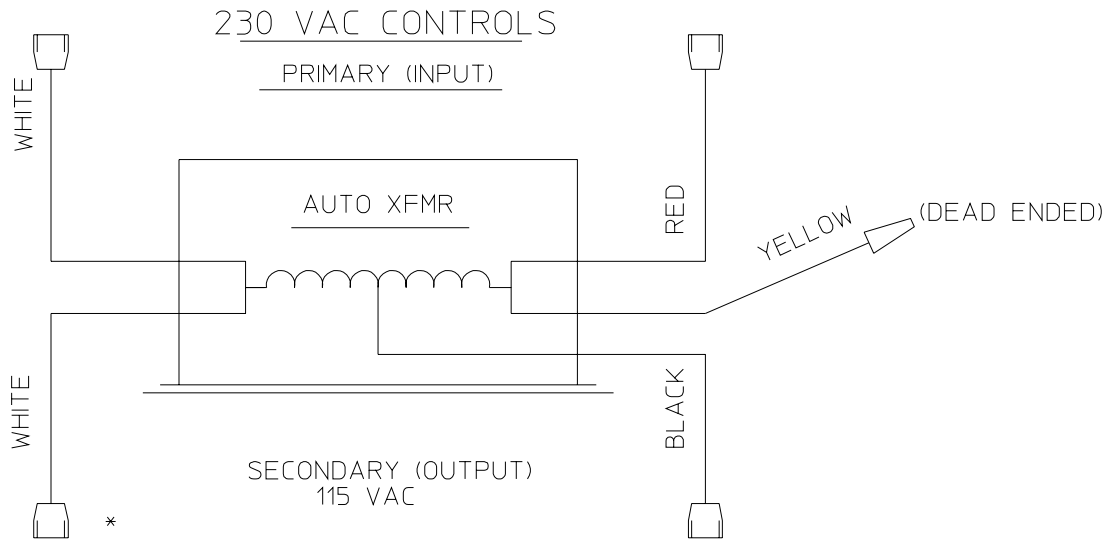
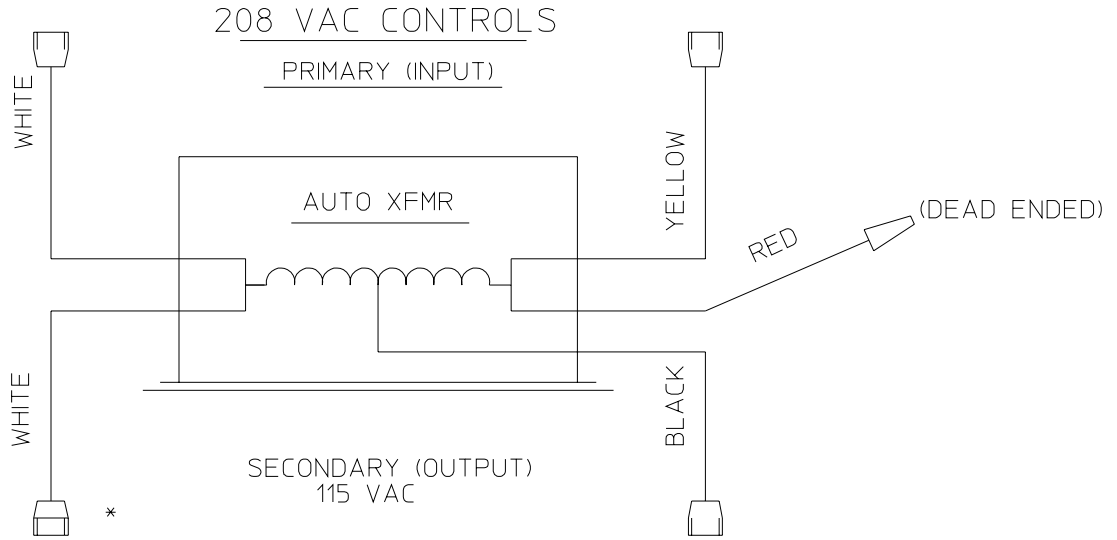
230 VAC CONTROLS



MAN0255

NOTE: Terminals (wires) not used **must** be capped off.

Glo-Bar® Ignition Transformer Wiring



MAN0083

* Lead **not** used on microprocessor Hi/Lo models.

