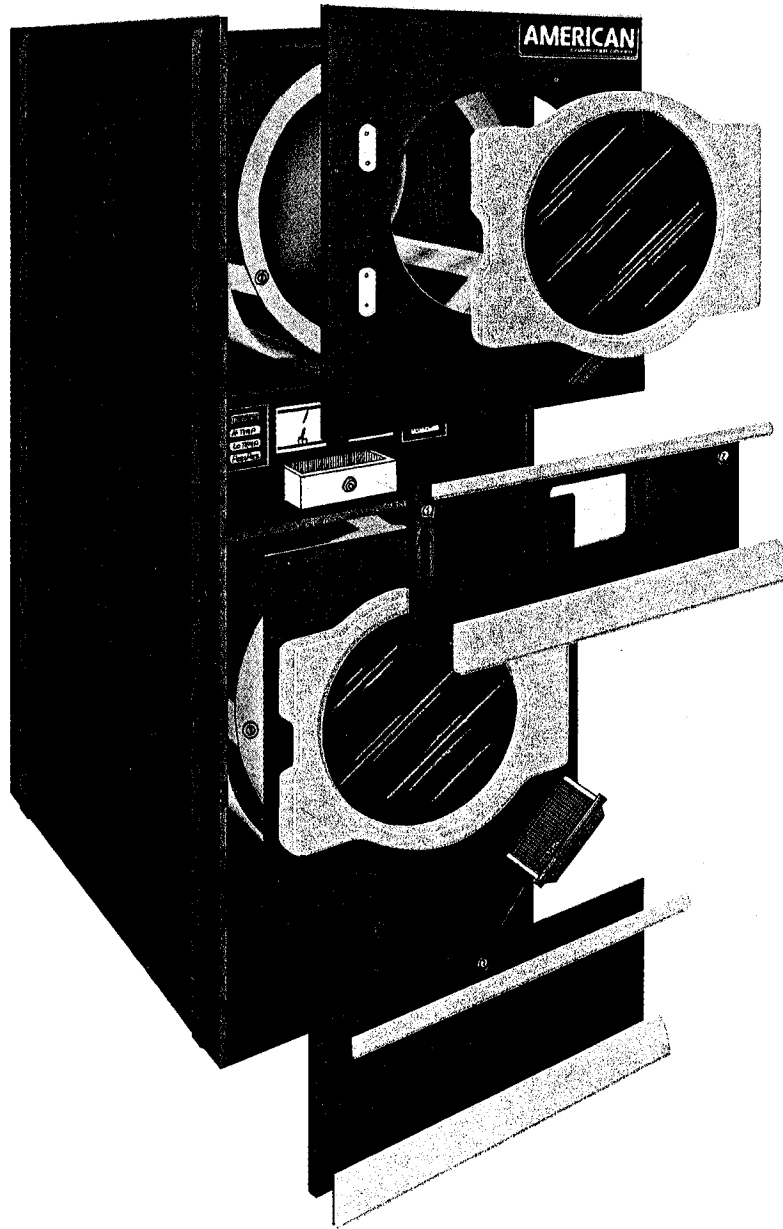


AMERICAN



Parts Manual

AD-215

AD-230

AMERICAN
DRYER CORPORATION

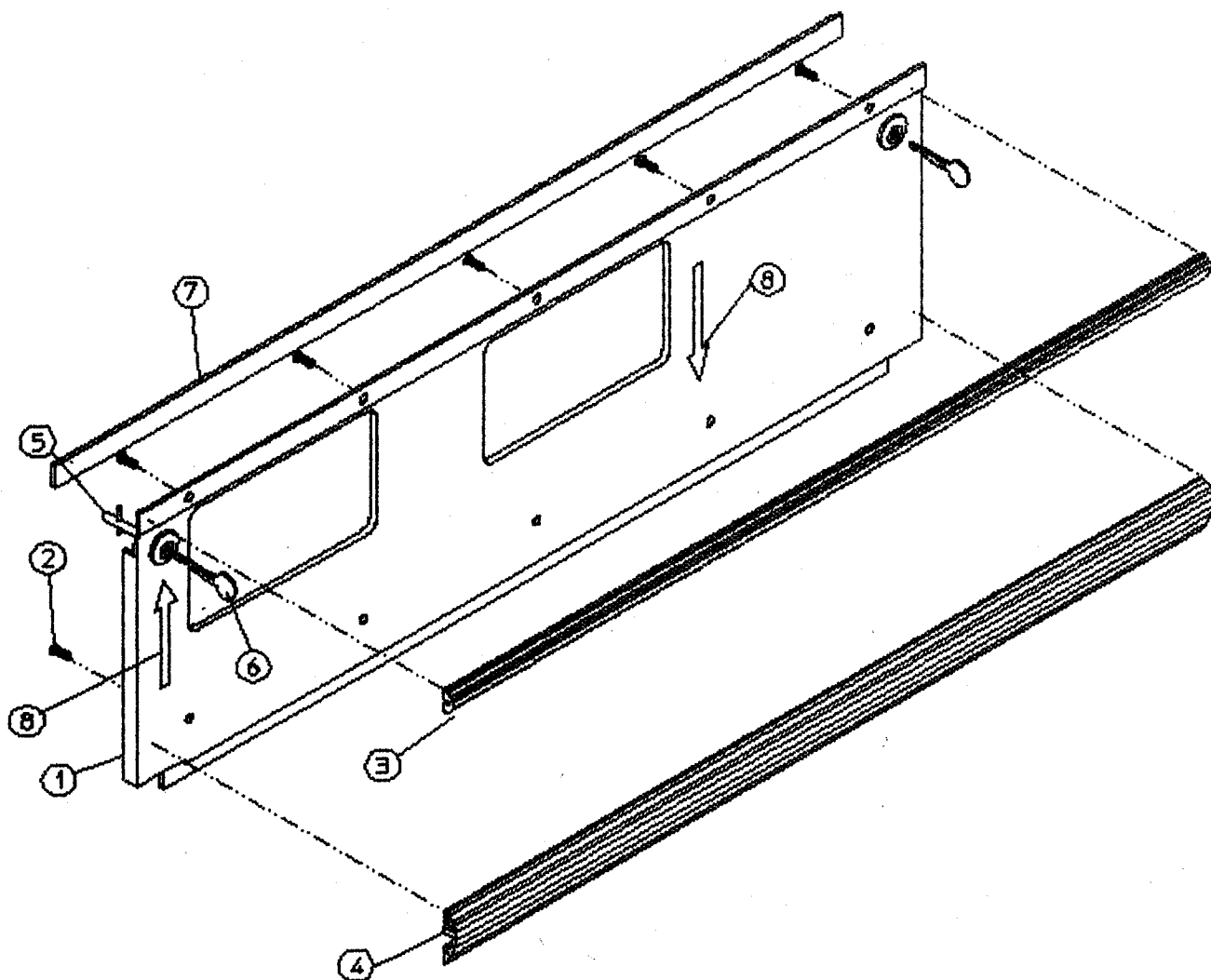
88 CURRANT ROAD
FALL RIVER, MA 02720-4781
TELEPHONE: (617) 678-9000

When ordering replacement parts from your distributor or the factory, specify the dryer model number and serial number in addition to the part description and part number, so that your order is processed accurately and promptly.

The illustrations on the following pages may not depict your particular dryer exactly. The illustrations are a composite of various dryer models. Be sure to check the description of the part before ordering

TABLE OF CONTENTS

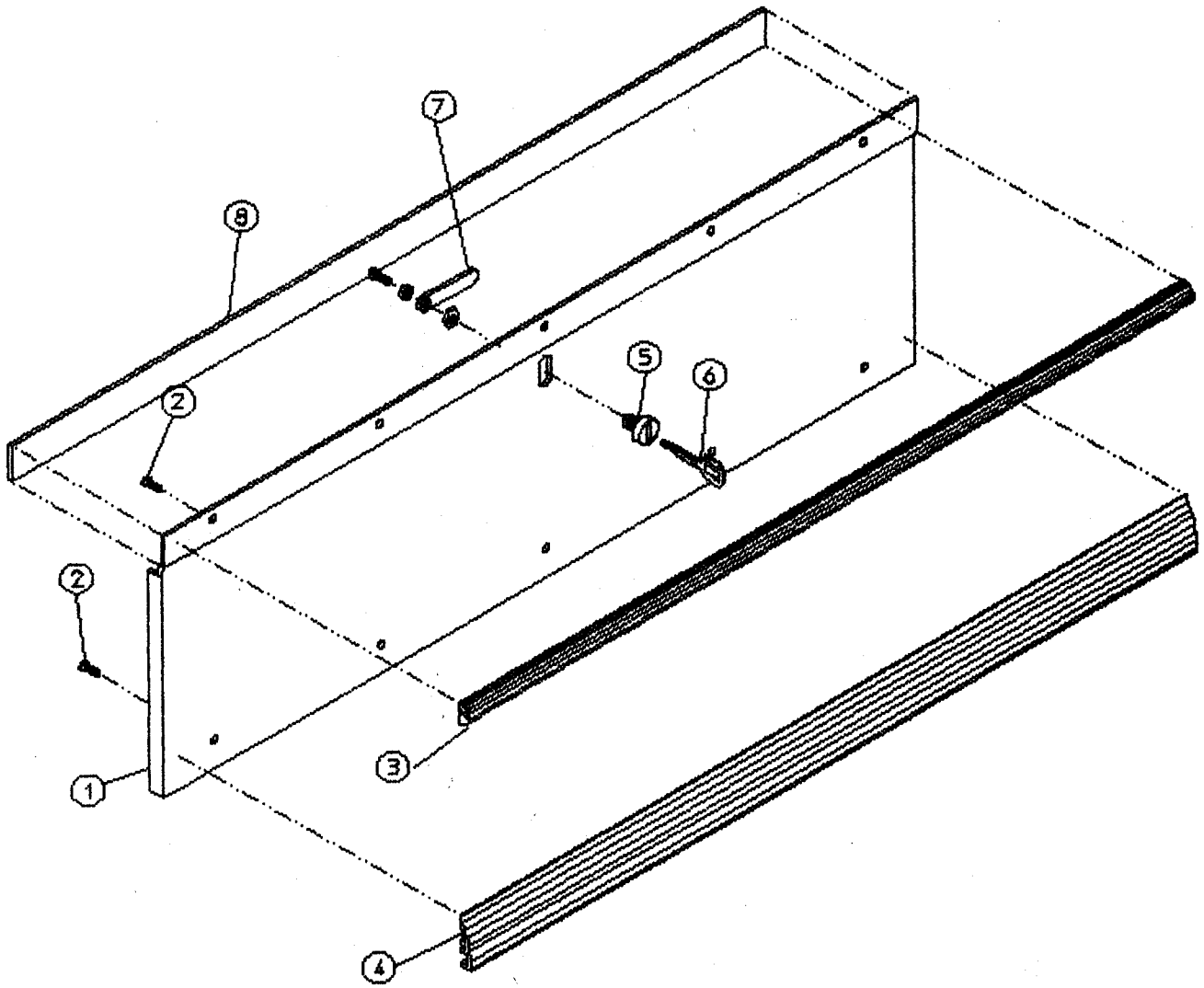
TITLE	PAGE
CONTROL DOOR ASSEMBLY.....	1
LOWER SERVICE DOOR ASSEMBLY.....	2
MP CONTROL PANEL ASSEMBLY (COIN).....	3
MP CONTROL PANEL ASSEMBLY (NON-COIN).....	5
LINTSCREEN ASSEMBLY.....	7
FRONT PANEL ASSEMBLY.....	8
MAIN DOOR ASSEMBLY.....	9
GAS BURNER ASSEMBLY.....	10
GAS VALVE ASSEMBLY.....	11
SAIL SWITCH ASSEMBLY.....	12
3/8 HI/LO GAS VALVE REPLACEMENT COILS.....	13
GAS PIPING ASSEMBLY.....	14
ELECTRIC OVEN ASSEMBLY.....	15
TEMPERATURE SENSOR ASSEMBLY.....	17
TUMBLER BEARING ASSEMBLY.....	18
IDLER BEARING ASSEMBLY.....	19
215 TUMBLER ASSEMBLY.....	21
230 TUMBLER ASSEMBLY.....	22
MOTOR MOUNT ASSEMBLY.....	23
TRANSFORMER WIRING.....	25
TRANSFORMER ASSEMBLY.....	26
DUCTING ASSEMBLY.....	27
NATURAL TO L.P. GAS CONVERSION.....	28



CONTROL DOOR ASSEMBLY

ITEM	QTY	PART NUMBER	DESCRIPTION
1	1	800026*	CONTROL DOOR COMPLETE (LESS LOCK)
	1	850432*	CONTROL DOOR ONLY
2	10	150201	#10-32 X 1/4 PHIL. RH MACH. SCREW
3	1	180205	UPPER TRIM STRIP
4	1	300204	LOWER TRIM STRIP
5	2	160018	CONTROL DOOR LOCK AND KEY
6	2	160110	CONTROL DOOR LOCK, KEY ONLY
7	3	117600	NOISE SUPPRESSOR (SOLD IN FT.)
8	2	112077	ARROW DECAL

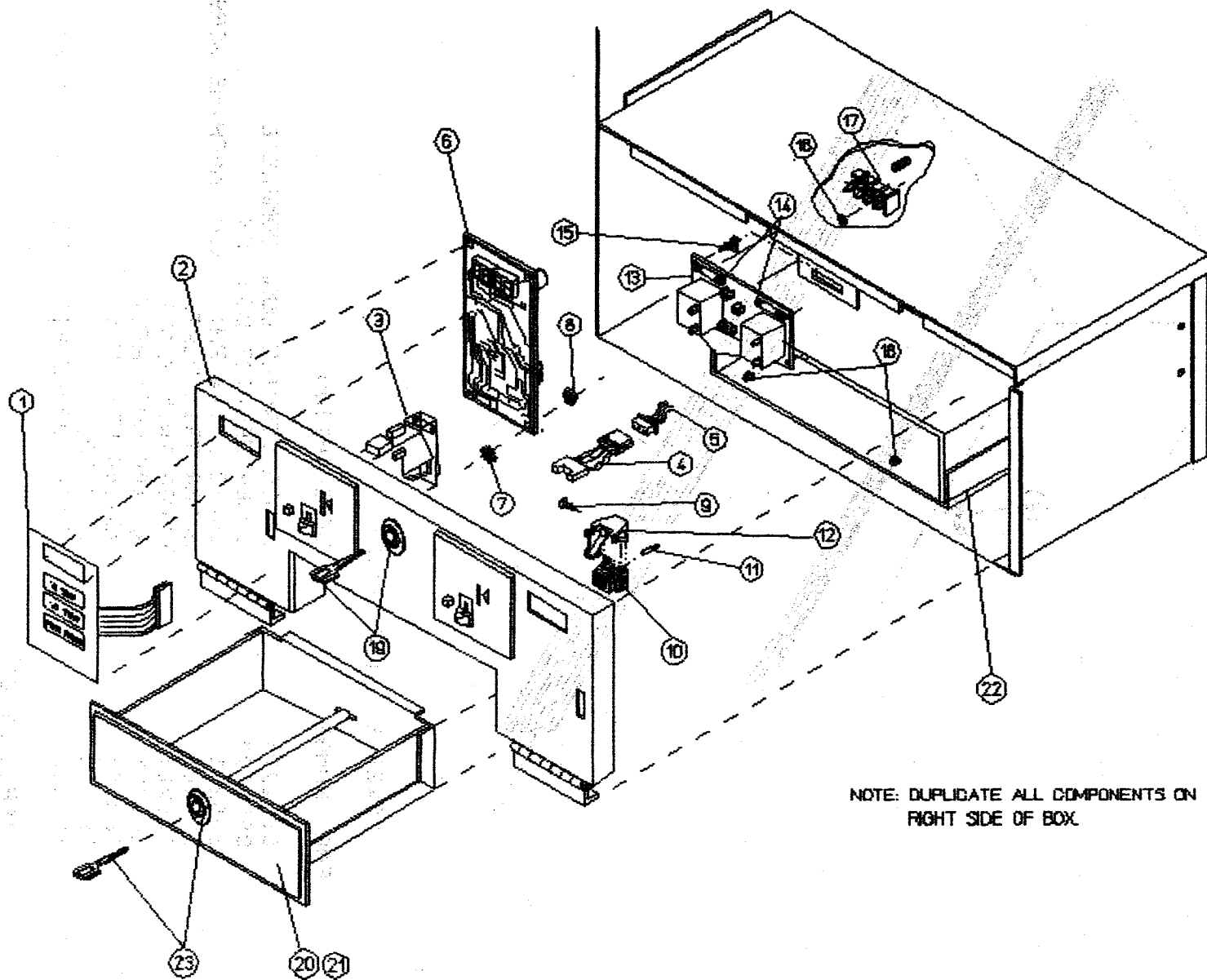
* SPECIFY COLOR



LOWER SERVICE DOOR

ITEM	QTY	PART NUMBER	DESCRIPTION
1	1	800227*	LOWER SERVICE DOOR COMPLETE
	1	850609*	LOWER SERVICE DOOR ONLY
2	10	150201	10/32 X 1/4 PHIL. R.H. MACHINE SCREW
3	1	180205	UPPER TRIM PLATE
4	1	300204	LOWER TRIM PLATE
5	1	160001	AD-100 LOCK ASSY
6	1	160103	AD-100 KEY ONLY
7	1	160008	LOCK CAM
8	3	117600	NOISE SUPPRESSOR TAPE (SOLD IN FT.)

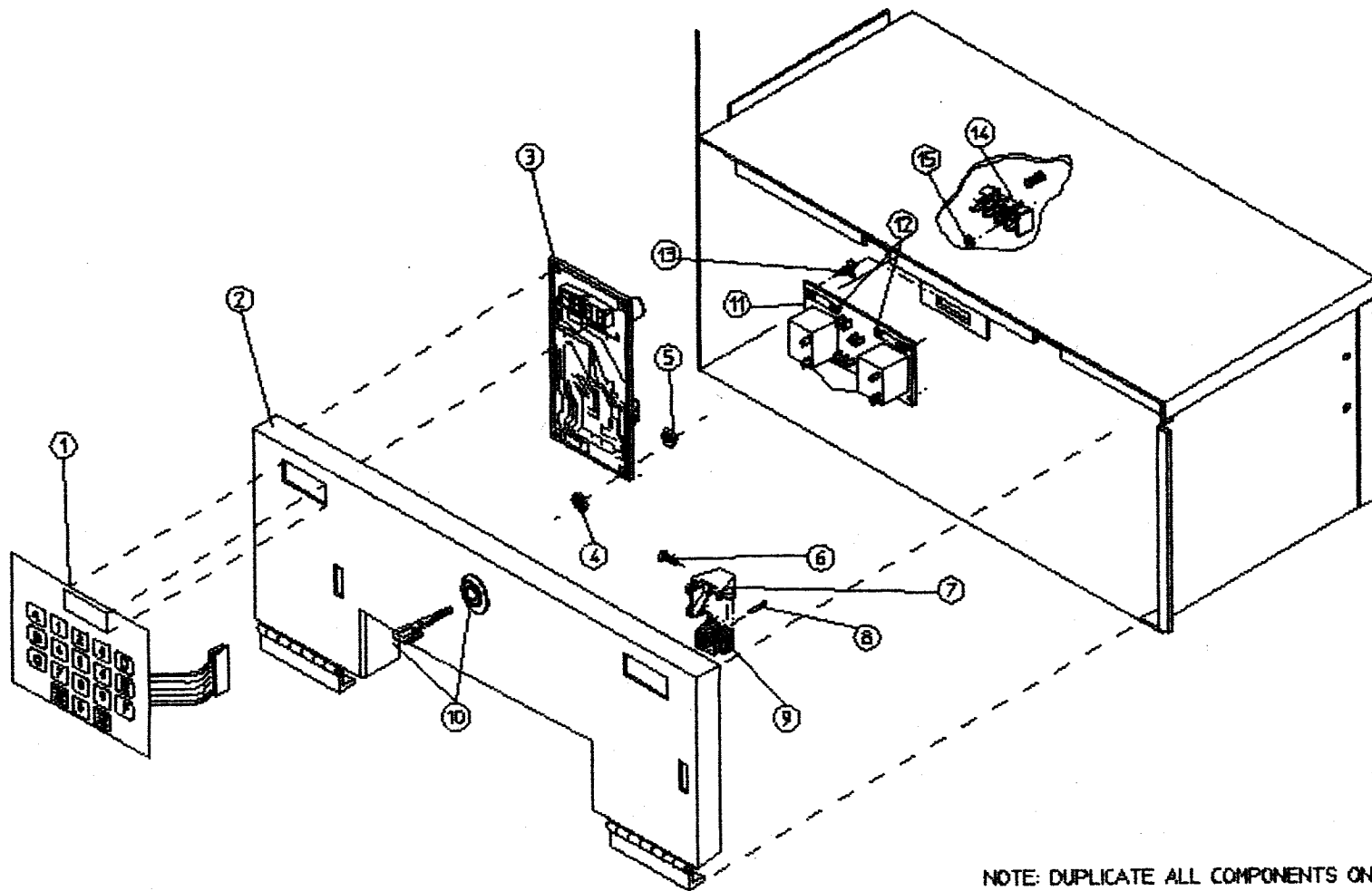
*SPECIFY COLOR



NOTE: DUPLICATE ALL COMPONENTS ON
RIGHT SIDE OF BOX.

MP CONTROL PANEL ASSEMBLY

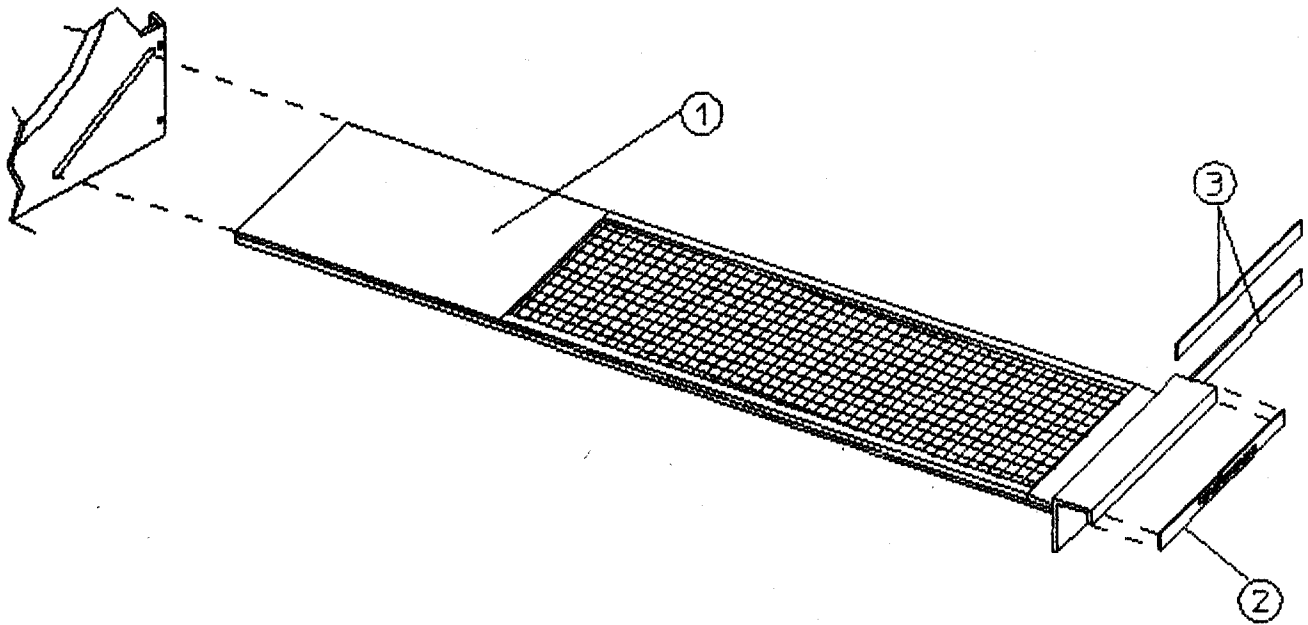
ITEM	QTY	PART NUMBER	DESCRIPTION
1	2	112526	KEYBOARD LABEL
2	1	800086	MP CONTROL PANEL COMPLETE (LESS COIN ACCEPTORS)
3	2	125100	25¢ OPTIC COIN ACCEPTOR
	2	125101	10 NP OPTIC COIN ACCEPTOR
	2	125102	5 BELGIUM FRANC COIN ACCEPTOR
	2	125103	.882 TOKEN COIN ACCEPTOR
	2	125121	.800 TOKEN COIN ACCEPTOR
	2	125104	100 YEN OPTIC COIN ACCEPTOR
	2	125106	FRENCH FRANC OPTIC COIN ACCEPTOR
	2	125109	1 DANISH KRONA OPTIC COIN ACCEPTOR
	2	125114	20 NP OPTIC COIN ACCEPTOR
	2	125115	1 POUND ENGLISH OPTIC COIN ACCEPTOR
4	2	137056	OPTIC SWITCH
5	2	137023	OPTIC SWITCH CONNECTOR ONLY
	6	137021	SOCKETS ONLY
6	2	137110	PHASE 4 CONTROLLER
7	8	153012	#8 STAR WASHER
8	8	152001	#8-32 HEX NUT
9	2	150301	#8 X 7/16 TEK SCREW
10	2	137020	15 PIN CONNECTOR ONLY
11	30	137021	MP PIN SOCKET ONLY
	1	122800	MP PIN EXTRACTOR TOOL
12	2	137022	STRAIN RELIEF
13	2	137077	110V RELAY BOARD
14	4	136052	4 AMP FUSE
15	8	137013	NYLON STAND OFF
16	4	151000	#6-32 PAL NUT
17	2	120709	8 POSITION TERMINAL STRIP
18	4	152014	1/4-20 FREE SPIN WASHER NUT
19	1	160019	COMPUTER PANEL LOCK & KEY
	1	160111	KEY ONLY
20	1	802134	STANDARD COIN BOX ASSY COMPLETE
	1	316047	STANDARD COIN BOX ONLY
	1	802133	STANDARD FACE PLATE ONLY
21	1	802136	HIGH SECURITY COIN BOX ASSY COMPLETE
	1	802137	HIGH SECURITY COIN BOX ONLY
22	1	802132	STANDARD COIN VAULT ONLY
	1	802135	HIGH SECURITY COIN VAULT ONLY
23	1	160020	STANDARD LOCK AND KEY
	1	160022	HIGH SECURITY SCREW LOCK AND KEY



NOTE: DUPLICATE ALL COMPONENTS ON
RIGHT SIDE OF BOX.

MP CONTROL PANEL ASSEMBLY (NON-COIN)

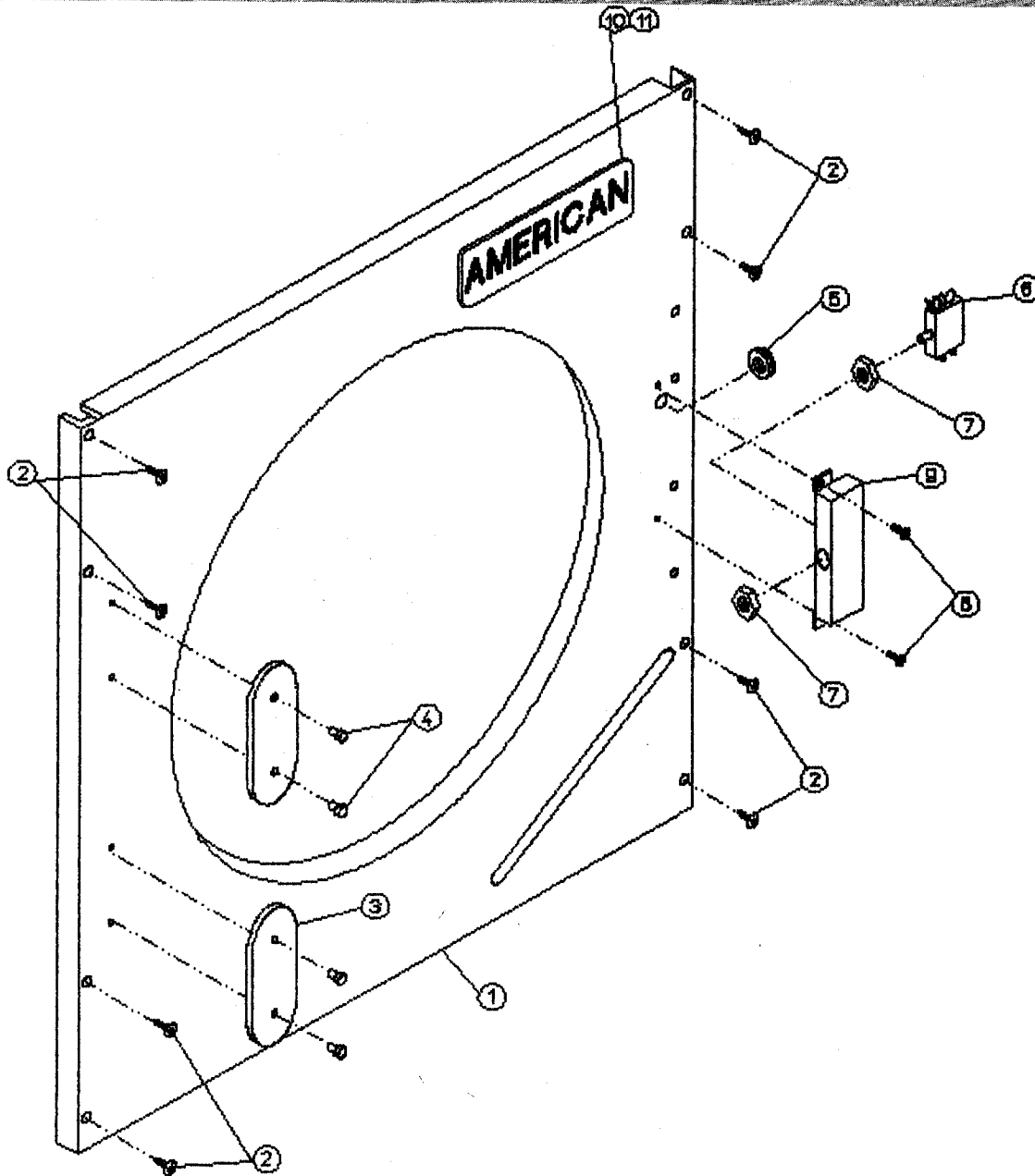
ITEM	QTY	PART NUMBER	DESCRIPTION
1	2	112535	OPL KEYBOARD LABEL
2	1	800169	MP CONTROL PANEL COMPLETE
3	2	137092	NON-REV CONTROLLER (115/230V)
	2	137093	NON-REV CONTROLLER (115/230V) WITH BATTERY BACK-UP
	2	137088	NON-REV CONTROLLER (208V)
	2	137089	NON-REV CONTROLLER (208V) WITH BATTERY BACK-UP
4	8	153012	#8 STAR WASHER
5	8	152001	#8-32 HEX NUT
6	2	150301	#8-18 X 7/16 TEK SCREW
7	2	137022	STRAIN RELIEF
8	30	137021	MP PIN (SOCKET) ONLY
	1	122800	MP PIN EXTRACTOR TOOL
9	2	137020	15 PIN CONNECTOR ONLY
10	1	160019	COMPUTER PANEL LOCK & KEY
	1	160111	COMPUTER PANEL KEY ONLY
11	2	137077	110V RELAY BOARD
	2	137079	208/230V RELAY BOARD
12	4	136052	4 AMP FUSE
13	8	137013	NYLON STAND OFF
14	2	120709	8 POSITION TERMINAL STRIP
15	4	151000	#6-32 PAL NUT



LINTSCREEN ASSY

ITEM	QTY	PART NUMBER	DESCRIPTION
1	1	800417*	215 LINTSCREEN
	1	800416*	230 LINTSCREEN
2	1	112078	'CLEAN BEFORE LOADING' DECAL
3	2	117600	NOISE SUPPRESSOR TAPE (SOLD IN FEET)

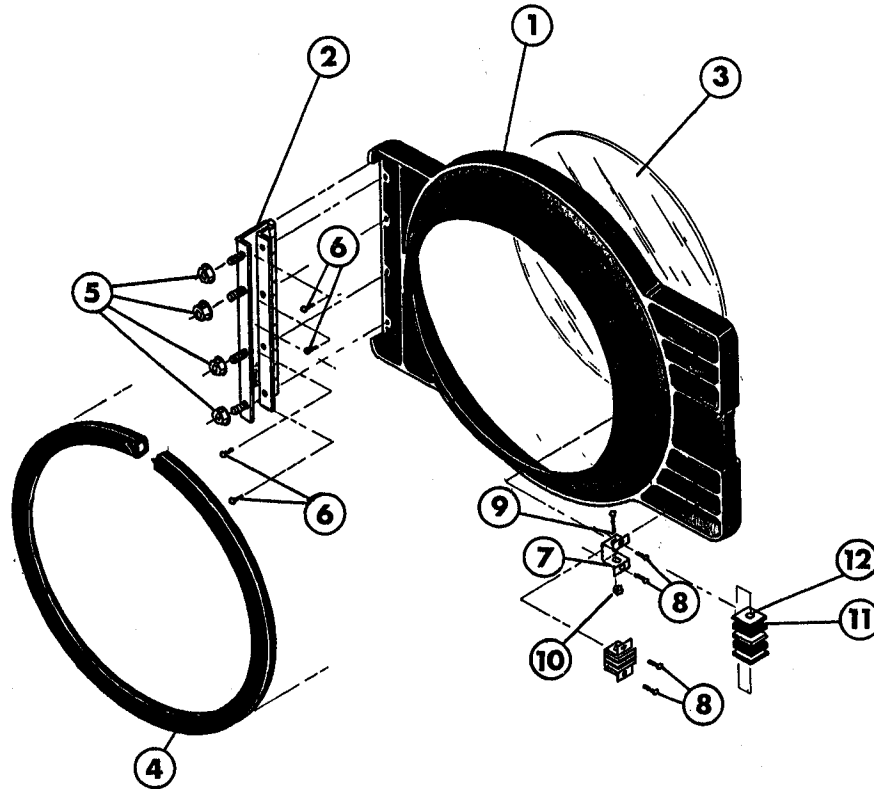
*SPECIFY COLOR



FRONT PANEL ASSEMBLY

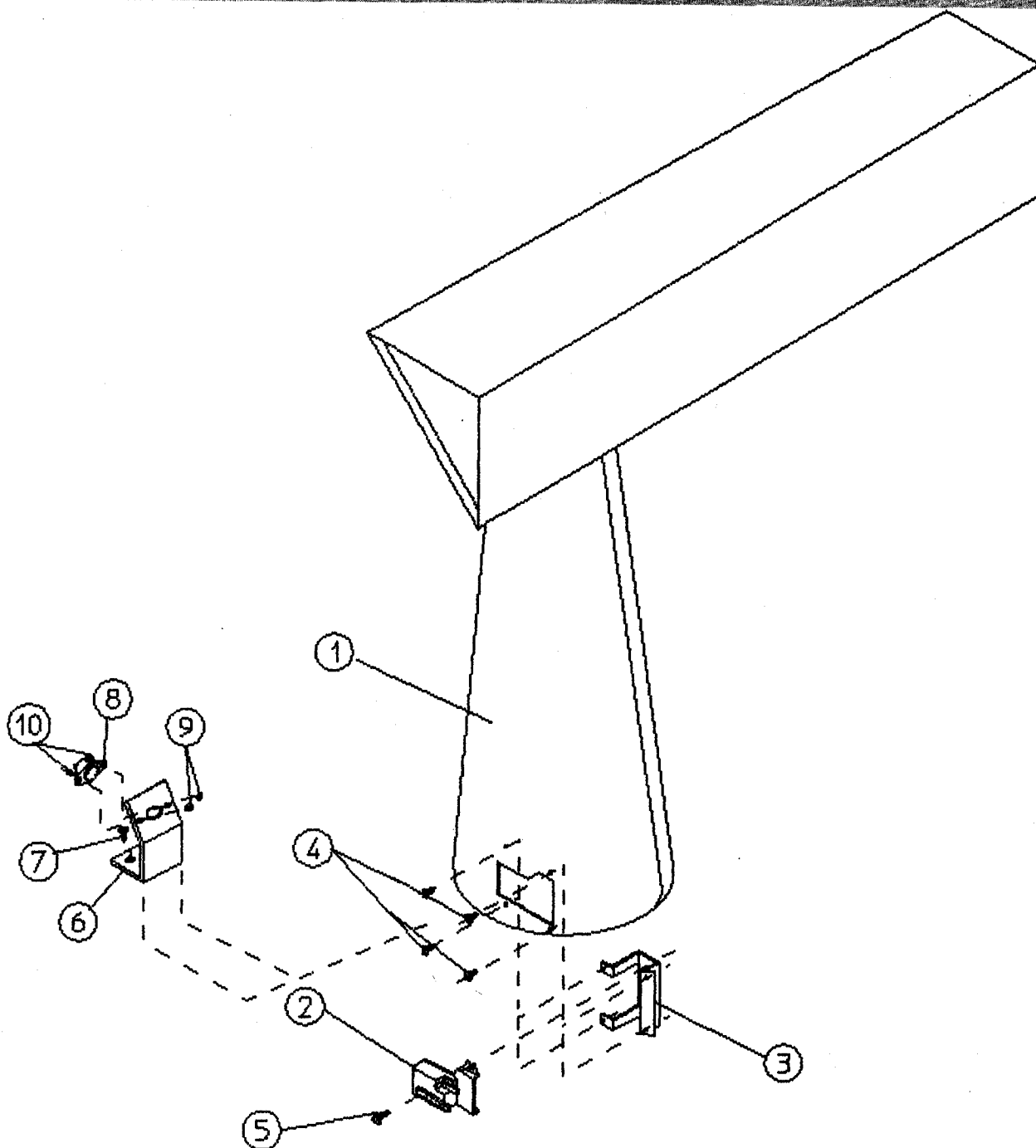
ITEM	QTY	PART NUMBER	DESCRIPTION
1	1	800385*	215/230 FRONT PANEL COMPLETE
	1	850752*	215/230 FRONT PANEL ONLY
2	8	150200	#10-32 X 1/2 TAPPIT SCREW
3	2	313903	3 1/2" STRIKER PAD
4	4	154200	#5-32 POP RIVET
5	1	121401	RUBBER GROMMET
6	1	137003	DOOR SWITCH
7	1	152003	DOOR SWITCH NUTS
8	2	150301	#8-18 X 7/16 TEK SCREWS
9	1	313209	DOOR SWITCH HOUSING (BOX ONLY)
	1	870070	DOOR SWITCH ASSY COMPLETE (INCLUDES ITEMS 6-9)
10	1	112302	AMERICAN COMPUTER LOGO (TOP PANEL ONLY
11	A/R	117500	TRIM TAPE, TWO SIDED ADHESIVE

*SPECIFY COLOR



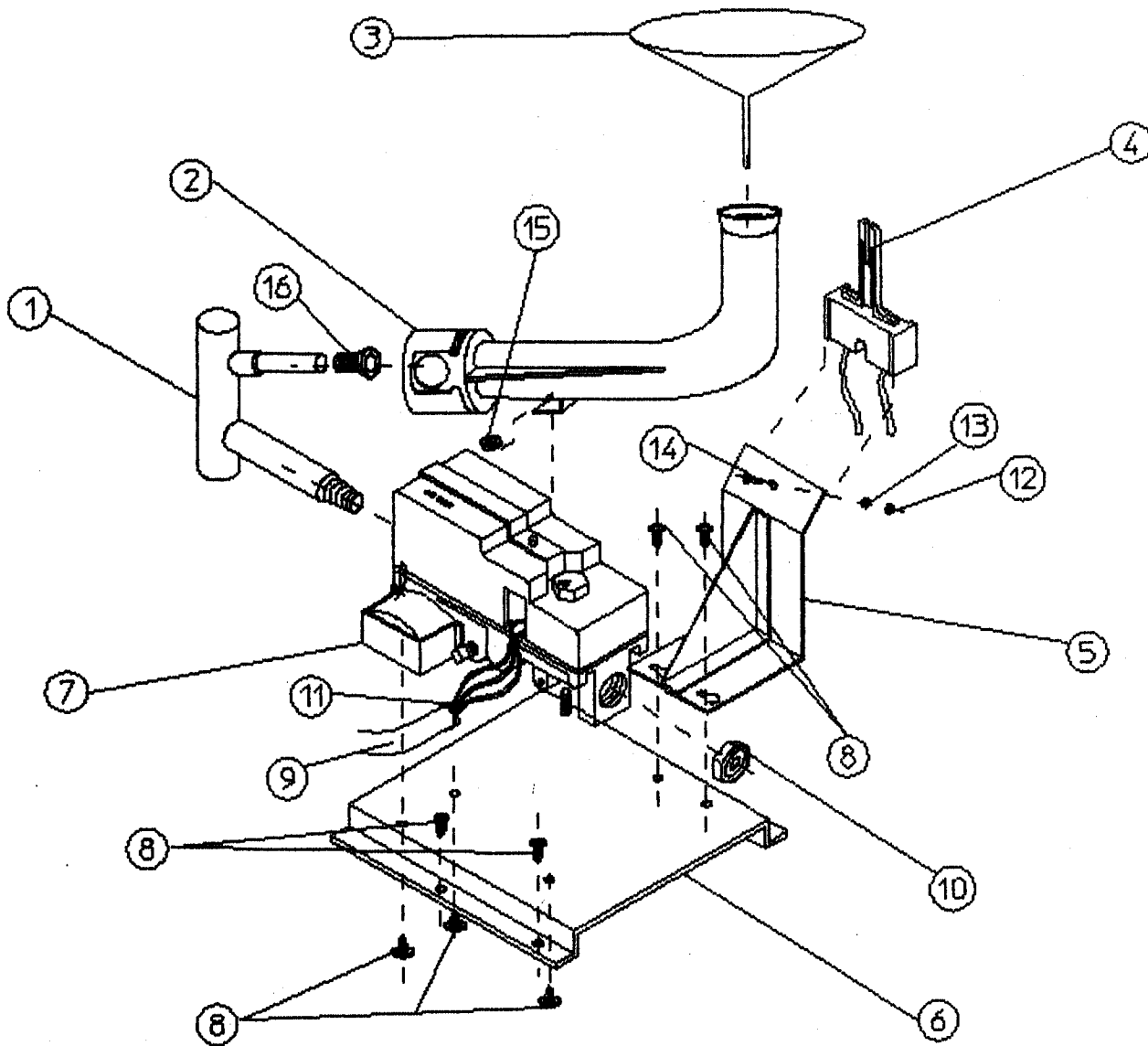
CAST ALUMINUM MAIN DOOR ASSEMBLY

ITEM	QTY	PART NUMBER	DESCRIPTION
1	1	800133	CAST ALUMINUM MAIN DOOR ASSEMBLY LESS ACCESSORIES (INCLUDES ITEMS 1,2,6)
		800136	CAST ALUMINUM MAIN DOOR ASSEMBLY COMPLETE (INCLUDES ITEMS 1 THROUGH 12)
2	1	880312	12 1/2" STAINLESS STEEL MAIN DOOR HINGE
3	1	102210	20 7/16" GLASS
	1	170725	ADHESIVE FOR MOUNTING GLASS (3 OZ. TUBE)
4	1	102350	70" MAIN DOOR GASKET
	1	170725	ADHESIVE FOR MOUNTING GASKET (3 OZ. TUB)
5	4	152014	1/4-20 FREE SPIN WASHNUT
6	4	150410	#10-24 X 3/8" PHIL. P.H. TAPTITE
7	2	102105	MAGNET HOLDER
8	4	150410	#10-24 X 3/8" PHIL. P.H. TAPTITE
9	2	150002	#6-32 X 1" R.H. MACHINE SCREW
10	2	152000	#6-32 HEX NUT
11	4	102102	MAGNET (.215)
12	6	306802	MAGNET KEEPERS



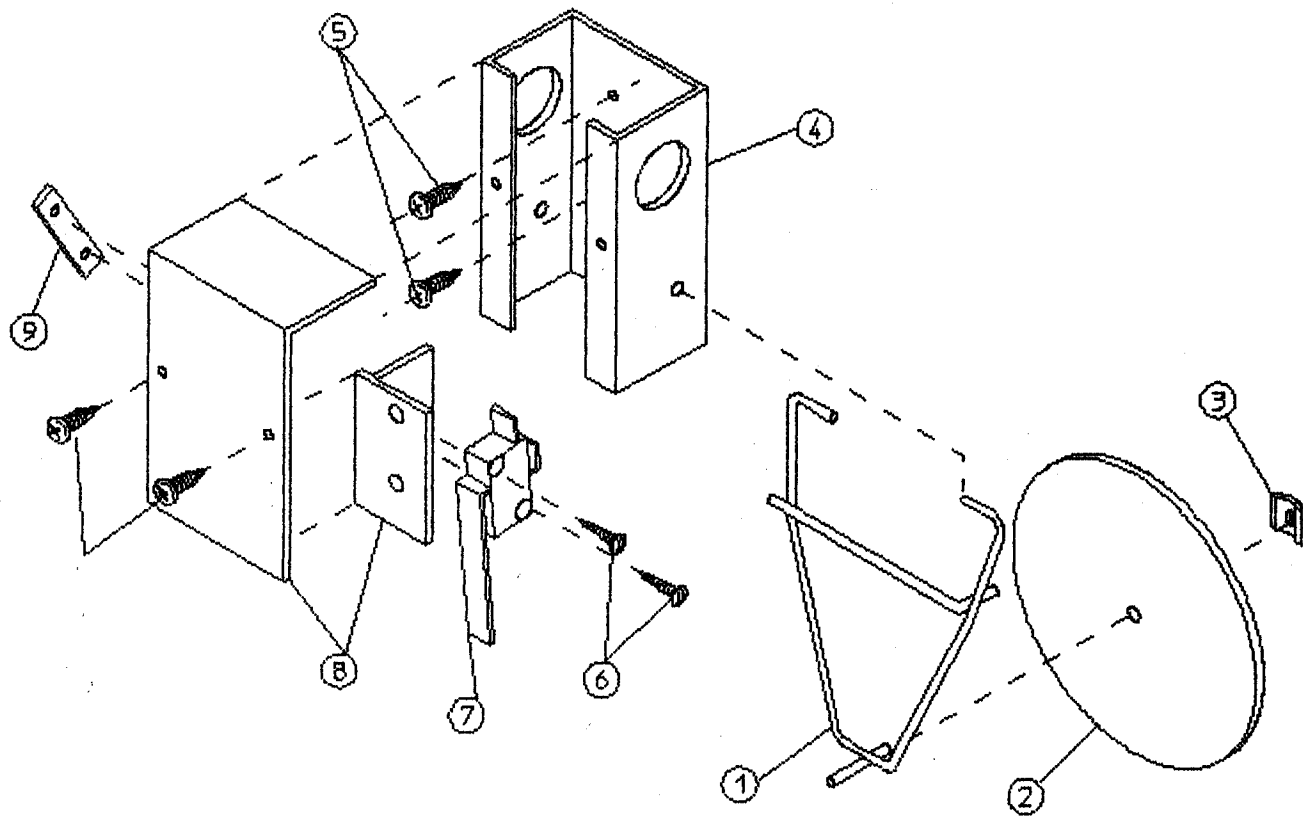
GAS BURNER ASSEMBLY

ITEM	QTY	PART NUMBER	DESCRIPTION
1	1	804022	230 FIRING CHAMBER
	1	804021	215 FIRING CHAMBER
2	1	130500	I.R. SENSOR
3	1	305106	I.R. SENSOR BRACKET
4	4	150301	#8-18 X 7/16 TEK SCREWS
5	1	150300	#10 X 1/2 S.D. SCREW
6	1	319710	HI-LIMIT BRACKET ONLY
	1	802502	HI-LIMIT BRACKET ASSEMBLY
7	2	150301	#8-18 X 7/16 TEK SCREWS
8	1	130103	L-225 THERMOSTAT
9	2	151000	#6-32 PAL NUT
10	2	150001	#6-32 X 1/2 RH MACH. SCREW



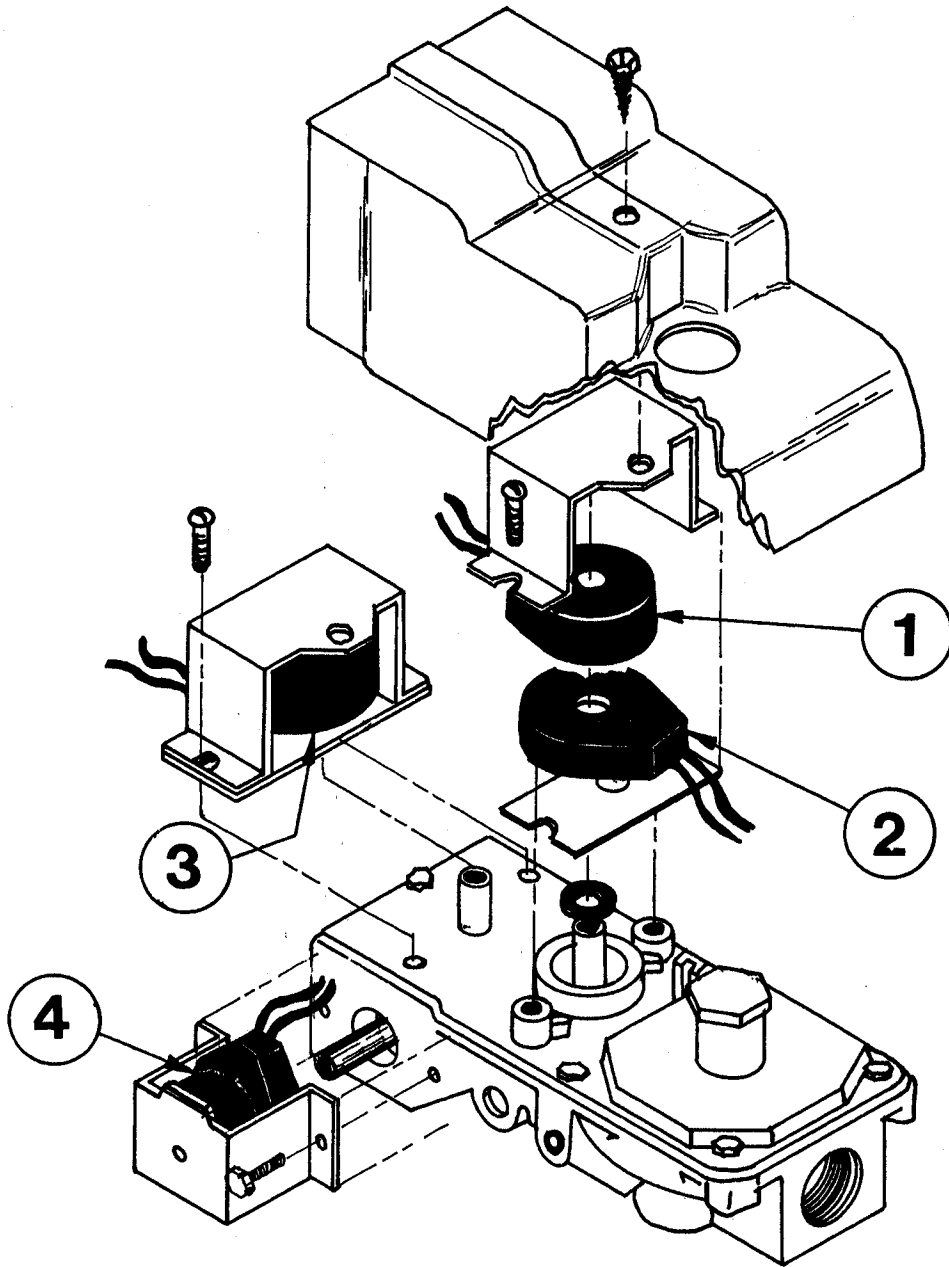
GAS VALVE ASSEMBLY

ITEM	QTY	PART NUMBER	DESCRIPTION
1	1	141218	3/8" SINGLE PORT MANIFOLD
2	1	141108	UPSHOT BURNER TUBE (SHUTTER & SPREADER)
3	1	141109	FLAME SPREADER ONLY
4	1	128910	GLO-BAR
5	1	850801	GLO-BAR MOUNTING BR'KT ONLY
6	1	319505	GAS VALVE MOUNTING PLATE ONLY
7	1	140009	3/8 NAT. GAS VALVE HI/LO
8	1	800038	3/8 LP GAS VALVE HI/LO
8	9	150301	#8-18 X 7/16 TEK SCREW
9	1	121501	UNIGLASS SLEAVING
10	1	141304	UNION TAIL PIECE
	1	401550	UNION TAIL PIECE COLLAR
11	1	121499	WIRE TIE
12	1	151000	#6-32 PAL NUT
13	1	153017	#6 STEEL BURR
14	1	150002	#6-32 X 1" LG R.H. MACHINE SCREW
15	1	151001	#8-32 PAL NUT
16	1	140819	215 NAT. GAS ORIFICE #30
	1	140804	215 LP GAS ORIFICE #48
	1	140829	230 NAT. GAS ORIFICE #18
	1	140811	230 LP GAS ORIFICE #41



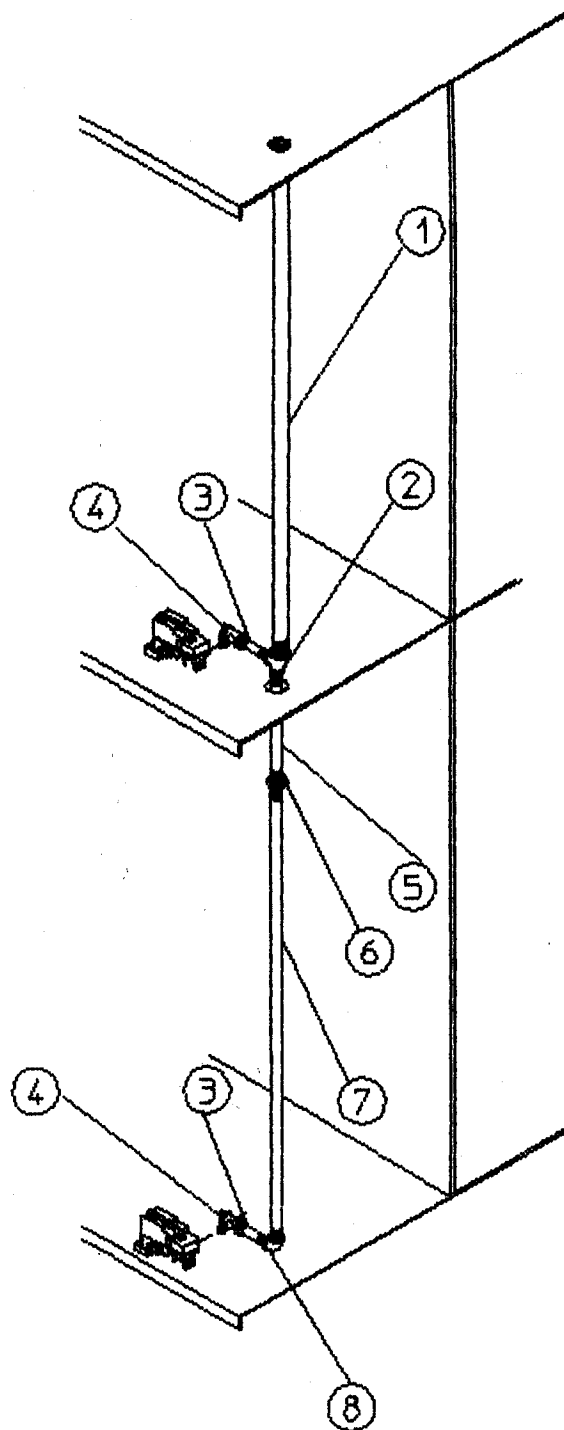
SAIL SWITCH ASSEMBLY

ITEM	QTY	PART NUMBER	DESCRIPTION
1	1	105500	SAIL SWITCH ROD
2	1	319202	SAIL SWITCH DAMPER
3	1	154002	1/8 PUSH-ON FASTENERS
4	1	802800	SAIL SWITCH BOX WITH COVER & BR'KT
	1	802801	SAIL SWITCH BOX ASSEMBLY COMPLETE
5	4	150301	#8-18 X 7/16 PHIL HD. TEK SCREW
6	2	150303	#4 X 3/4 "A" PHIL HD. MACHINE SCREW
7	1	122200	SAIL SWITCH
8	1	802799	SAIL SWITCH BOX COVER & BR'KT ONLY
9	1	154004	TWIN SPEED NUT



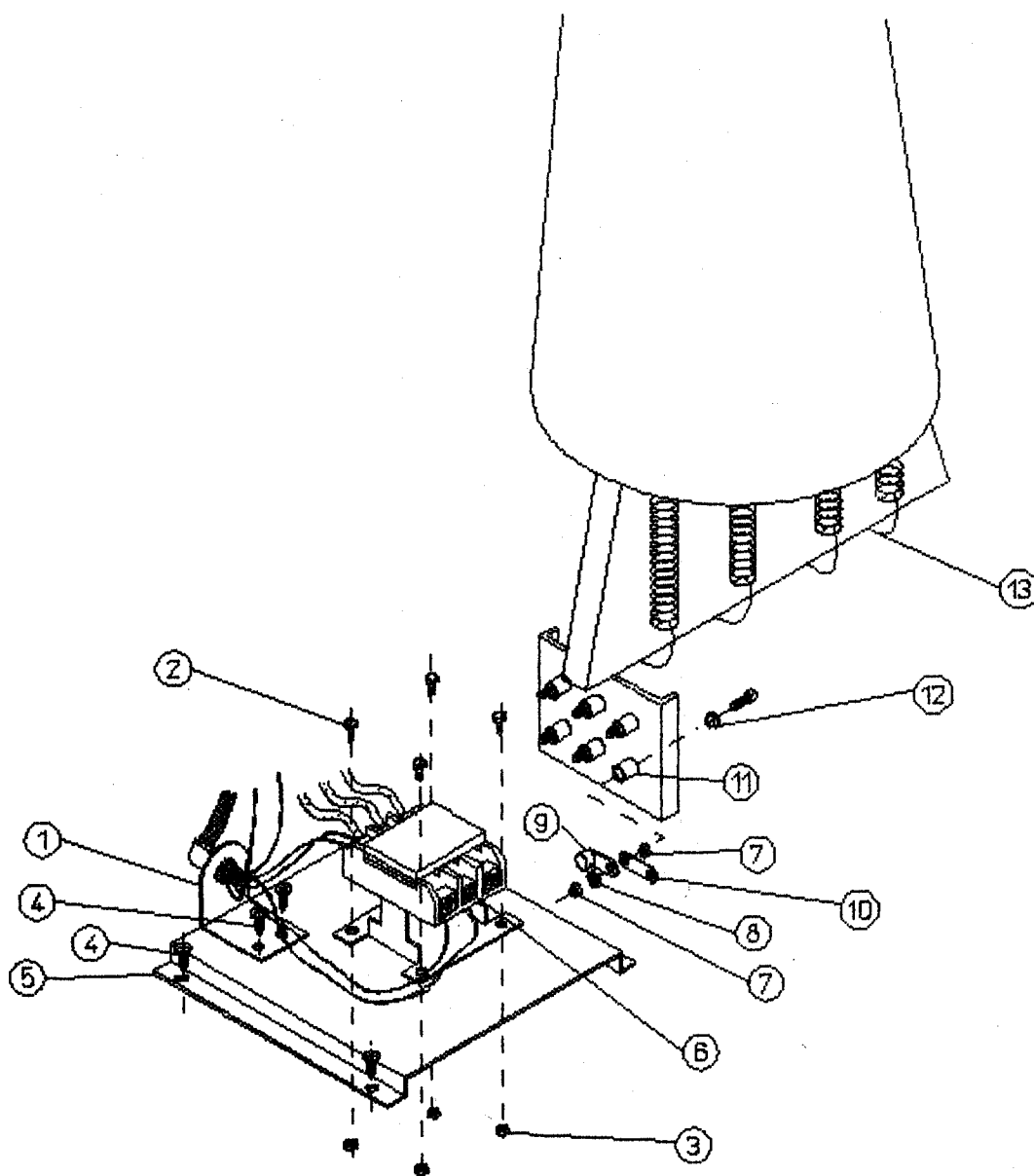
REPLACEMENT COILS FOR 3/8" HI/LO GAS VALVE

ITEM	QTY	PART NUMBER	DESCRIPTION
1	1	140116	HI-LO HOLDING COIL
2	1	140115	HI-LO BOOSTER COIL
3	1	140117	HI-LO SECONDARY COIL
4	1	140118	HI-LO COIL



GAS PIPING ASSEMBLY

ITEM	QTY	PART NUMBER	DESCRIPTION
1	1	142821	3/4" DIA. NIPPLE 36" LONG
2	1	142505	3/4 X 1/2 X 1/2 TEE
3	2	142707	1/2 X 1 1/2 NIPPLE
4	2	141305	SHUT-OFF
5	1	142822	1/2 NIPPLE 6 1/2 LONG
6	1	142600	1/2 UNION
7	1	142809	1/2 NIPPLE 29 1/8 LONG
8	1	142500	1/2 X 90° ELBOW



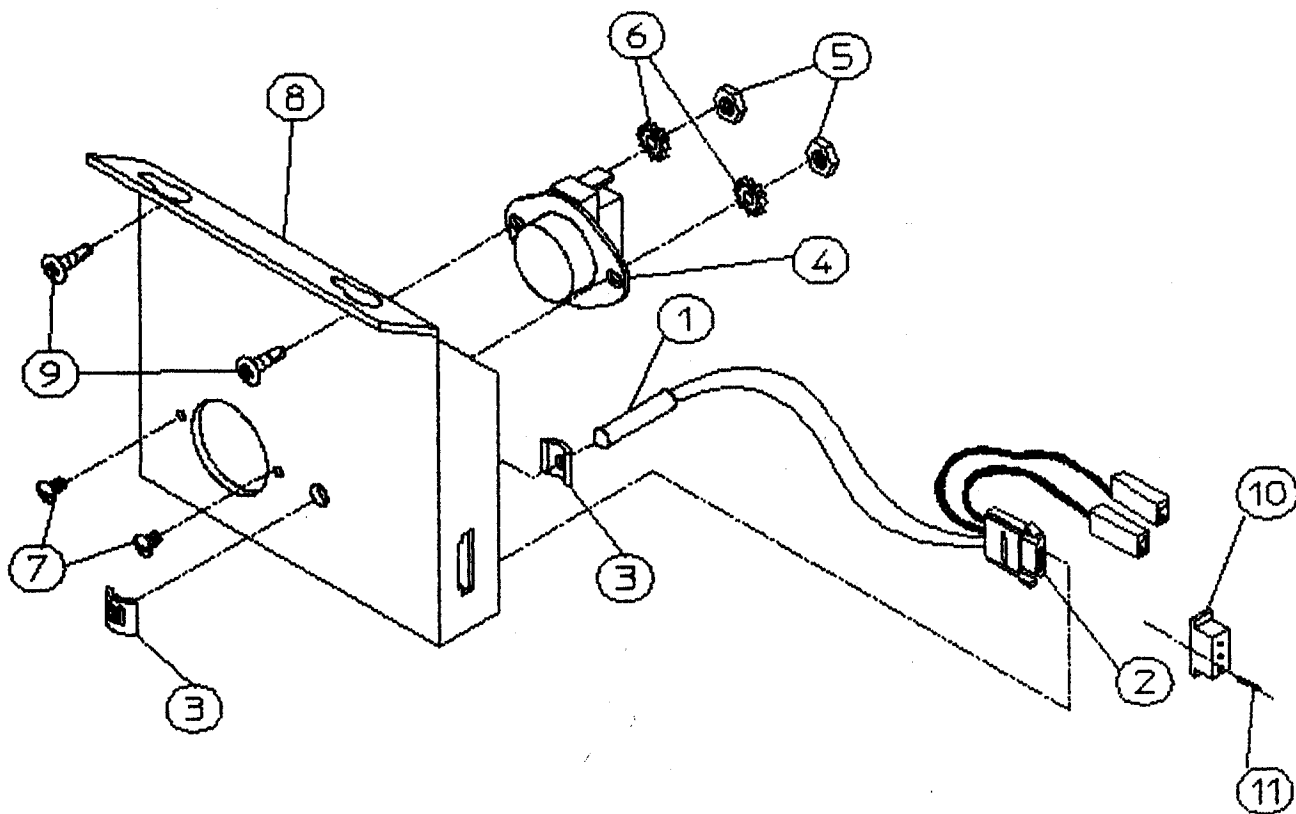
ELECTRIC OVEN ASSEMBLY

ITEM	QTY	PART NUMBER	DESCRIPTION
1	1	318700	CONDUIT BRACKET
2	4	150103	#8-32 X 3/4 R.H. MACHINE SCREW
3	4	151001	#8-32 PAL NUT
4	2	150301	#8-18 X 7/16 TEK SCREW
5	1	320350	CONTACTOR MOUNTING PLATE
6	1	*	OVEN CONTACTOR
7	12	152008	#10-32 HEX NUT
8	6	153009	#10 STAR WASHER
9	6	*	TERMINAL LUG
10	*	121011	BUS BAR
11	6	120080	EXTERNAL CERAMIC INSULATOR
12	6	120081	INTERNAL CERAMIC INSULATOR
13	1	120016*	HEATING ELEMENT-15KW, 208V
		120017*	-15KW, 230V
		120018*	-21KW, 208V
		120019*	-21KW, 230V

ELECTRIC OVEN COMPONENT CHART AD-215 / AD-230

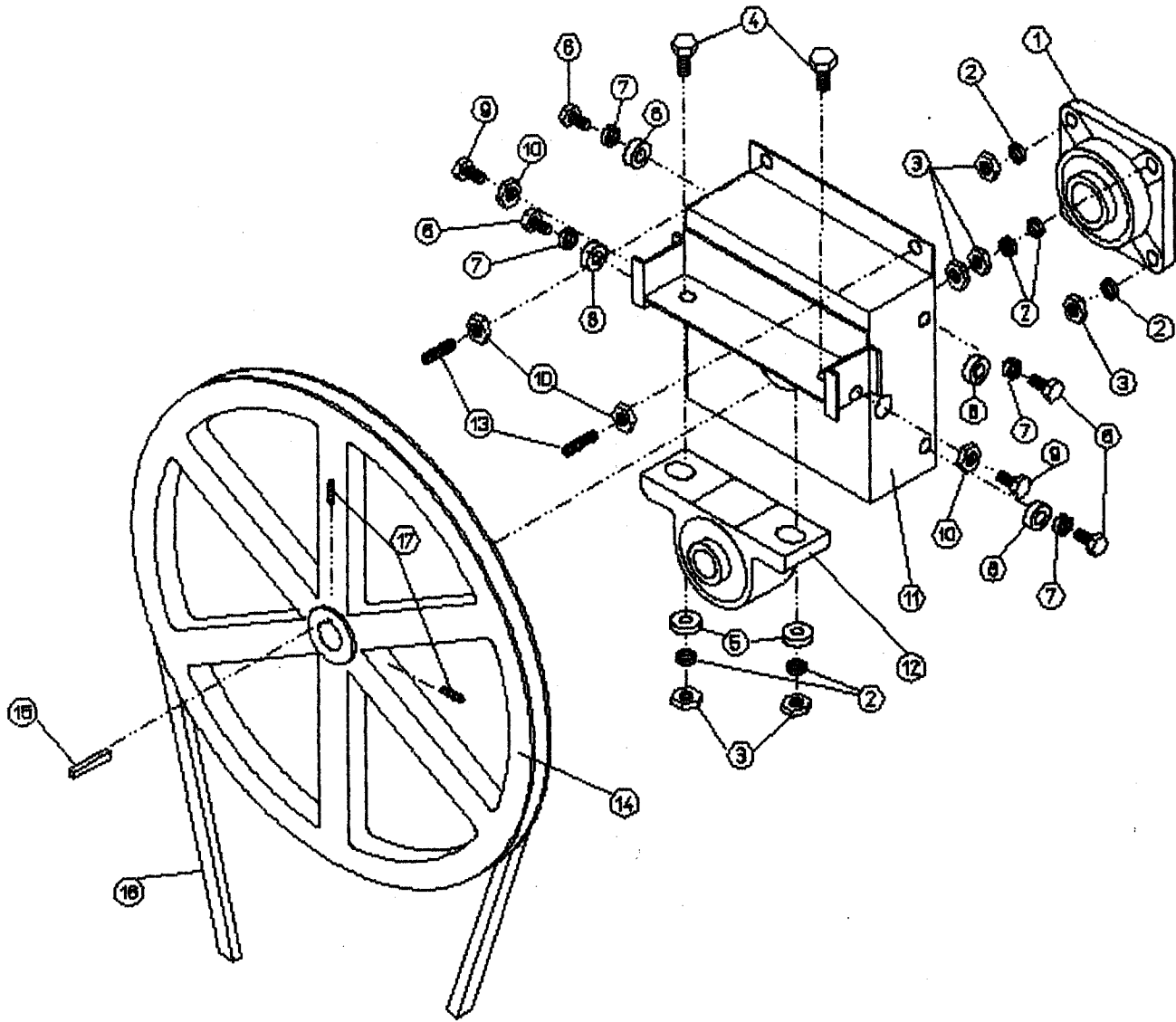
KW	VOLT.	PHASE	NO. OF WIRES	LINE AMPS	ELECT. ELEMENT ASS'Y P/N	TERMINAL LUG P/N	BUS BAR P/N 121011	WIRE SIZE	OVEN RELAY		RELAY COIL P/N
									CAT. NO.	PART NO.	
15	208	1	2	72	120016	121010	4	#4	FE-AG	131309	131811
	230	1	2	65	120017	121010	4	#4	EE-AG	131307	131809
	208	3	3	42	120016	121010	3	#8	CE-AG	131303	131809
	208	3	4	42	120016	121010	3	#8	CE-AF	131302	131808
	230	3	3	38	120017	121010	3	#8	CE-AG	131303	131809
21	208	1	2	101	120018	121012	4	#2	GE-AG	131312	131811
	230	1	2	91	120019	121012	4	#2	GE-AG	131312	131811
	208	3	3	58	120018	121010	3	#6	DE-AG	131305	131809
	208	3	4	58	120018	121010	3	#6	DE-AF	131304	131808
	230	3	3	53	120019	121010	3	#6	DE-AG	131305	131809

* DOES NOT INCLUDE BUS BARS OR TERMINAL LUGS. THESE MUST BE ORDERED SEPARATELY.



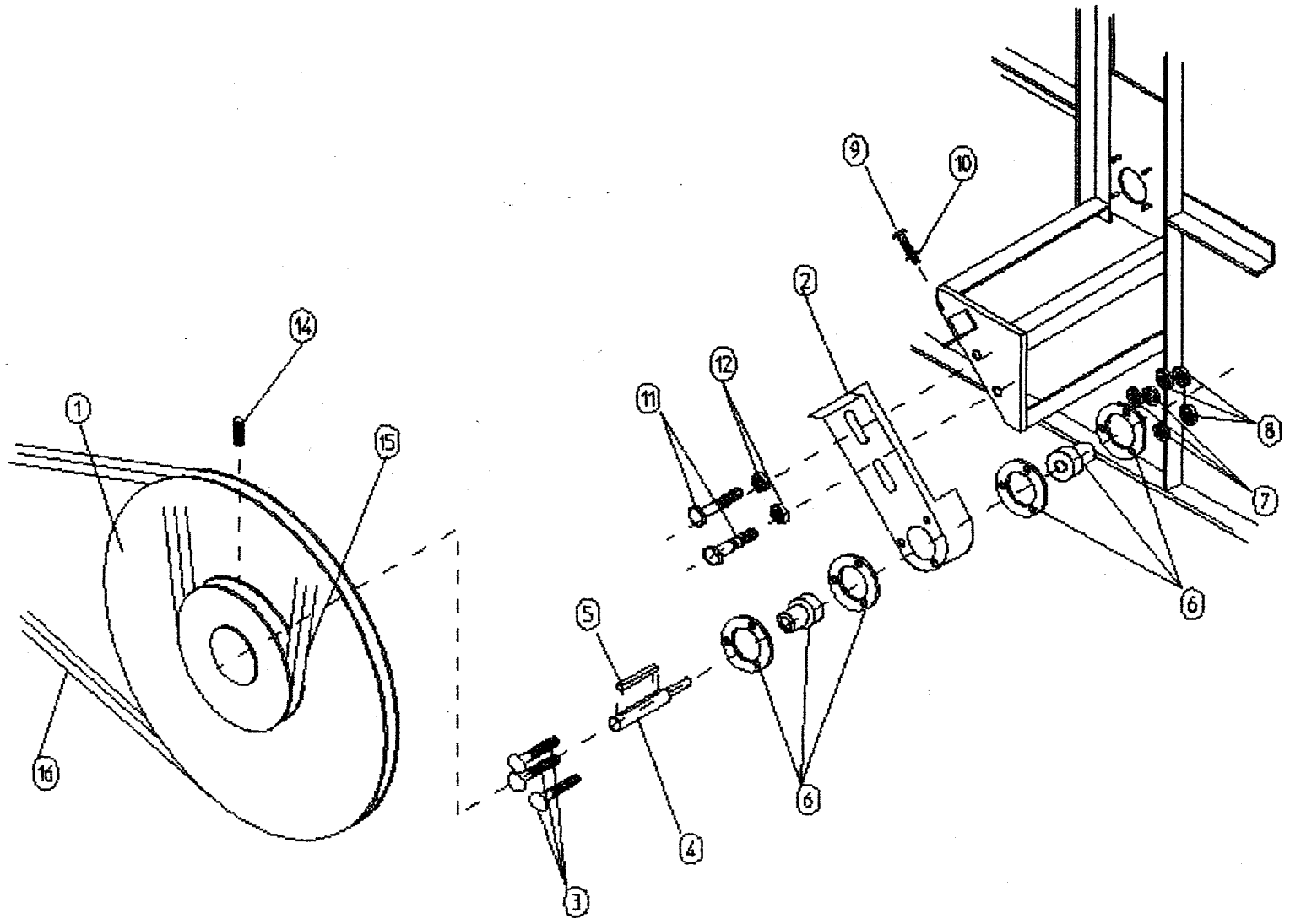
TEMPERATURE SENSOR ASSEMBLY

ITEM	QTY	PART NUMBER	DESCRIPTION
1	1	880251	TEMP. SENSOR PROBE ASSY
2	1	122605	4 PIN SOCKET CONN. ONLY
	4	122701	SOCKET TERMINAL ONLY
	1	880251	TEMP. SENSOR HARNESS COMPLETE (INCLUDES ITEMS 1 & 2)
3	2	154007	1/4 PUSH ON FASTENER
4	1	130103	225° AUTO RESET THERMOSTAT
5	2	152000	#6-32 HEX NUT
6	2	153010	#6 STAR WASHER
7	2	150000	#6-32 X 1/4 RH MACH. SCREW
8	1	305107	SENSOR BRACKET ONLY
	1	801428	SENSOR BRACKET COMPLETE
9	2	150301	#8-18 X 7/16 PHIL HD TEK SCREW
10	1	122604	4 PIN CONNECTOR ONLY
11	1	122700	PIN TERMINAL ONLY



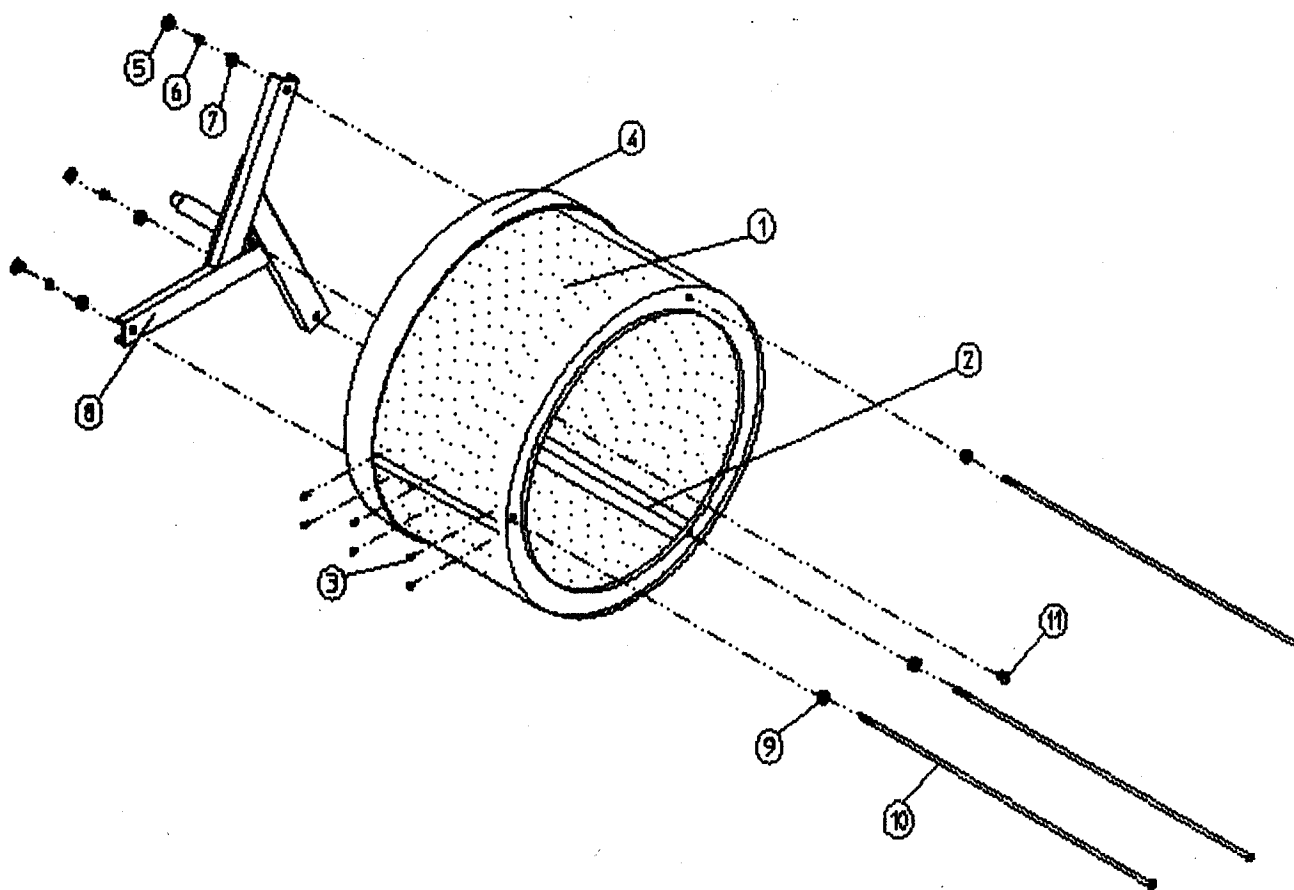
TUMBLER BEARING ASSEMBLY

ITEM	QTY	PART NUMBER	DESCRIPTION
1	1	100203	1 3/8 FLANGE BEARING
2	6	153005	3/8 LOCK WASHER
3	6	152005	3/8 HEX NUT
4	2	150601	3/8-16 X 2" H.H. MACH. BOLT
5	2	153004	3/8 FLAT WASHER
6	4	150501	5/16-18 X 3/4 H.H. MACH. BOLT
7	4	153002	5/16 LOCK WASHER
8	4	153001	5/16 FLAT WASHER
9	2	150503	5/16-18 X 2" H.H. MACH. BOLT
10	4	152004	5/16-18 HEX NUT
11	1	801101	1 3/8 BEARING BOX ASSY COMPLETE (INCLUDING PILLOW BLOCK BEARING & HARDWAR
12	1	100202	1 3/8 PILLOW BLOCK BEARING
13	2	150608	5/16-18 X 1 1/4 SET SCREW
14	1	101100	18" CAST PULLEY
15	1	100700	1/4 X 1/4 X 1" KEY
16	1	100100	U-BELT
17	2	154301	5/16-18 X 5/16 SET SCREW



IDLER BEARING ASSEMBLY

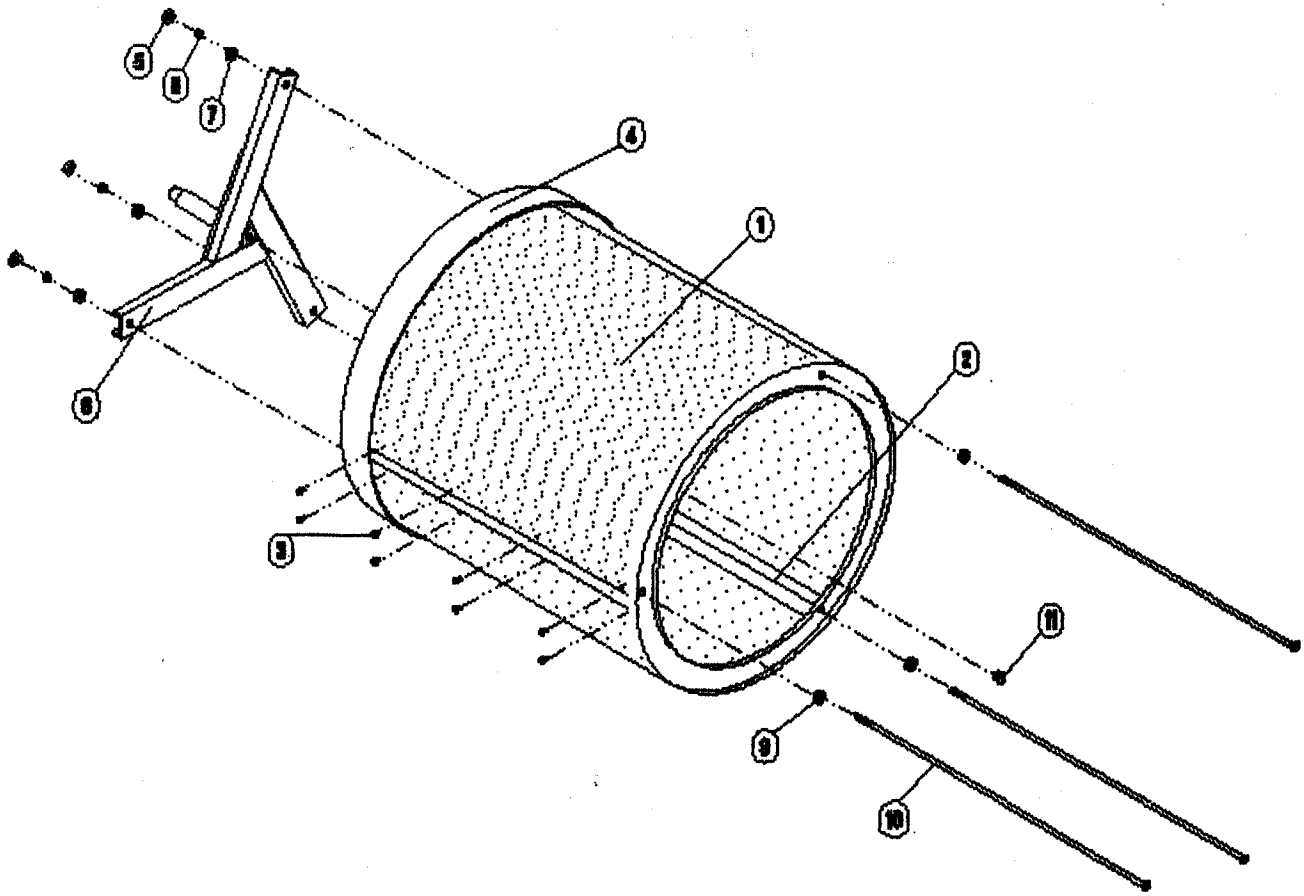
ITEM	QTY	PART NUMBER	DESCRIPTION
1	1	101129	9" COMPOUND PULLEY
2	1	100404	IDLER BEARING MOUNT ONLY
	1	801008	IDLER ASSEMBLY COMPLETE
3	3	150521	1/4-20 X 2" CARRIAGE BOLT
4	1	301850	5/8 IDLER SHAFT
5	1	100705	3/16 X 3/16 X 1 3/8 KEY
6	2	100214	5/8 FLANGE BEARING
7	3	153007	1/4 LOCK WASHER
8	3	152002	1/4 HEX NUT
9	1	150613	5/16-18 X 4" HH MACH. BOLT
10	1	152004	5/16-18 HEX NUT
11	2	150600	3/8-16 X 1 1/2 HH MACH. BOLT
12	2	153005	3/8 LOCK WASHER
13	2	153004	3/8 FLAT WASHER
14	2	154301	5/16-18 X 5/16 SET SCREW
15	1	100100	U-BELT
16	1	100113	U-BELT



AD-215 TUMBLER ASSEMBLY

ITEM	QTY	PART NUMBER	DESCRIPTION
1	1	800821*	215 TUMBLER AND SUPPORT COMPLETE
	1	800710	215 TUMBLER ONLY
	1	800877*	215 ST. STL. TUMBLER & SUPPORT ASSY
	1	800848	215 ST. STL. TUMBLER ONLY
2	3	301313	215 TUMBLER RIB
	3	301412	215 STAINLESS STEEL TUMBLER RIB
3	24	150415	#10-16 X 1/2 PHIL. RH CRIMPTITE SCREW
4	1	116003	FELT COLLAR
	1	401010	ADHESIVE FOR FELT COLLAR
5	3	152004	5/16-18 HEX NUT
6	3	153002	5/16 LOCK WASHER
7	3	153001	5/16 FLAT WASHER
8	1	800617	215/230 TUMBLER SUPPORT ONLY
9	3	153003	3/8 FENDER WASHER
10	3	100906	5/16-18 X 16 3/4 LG TIE ROD
11	1	150518	5/16-18 X 3/8 SOCKET SCREW

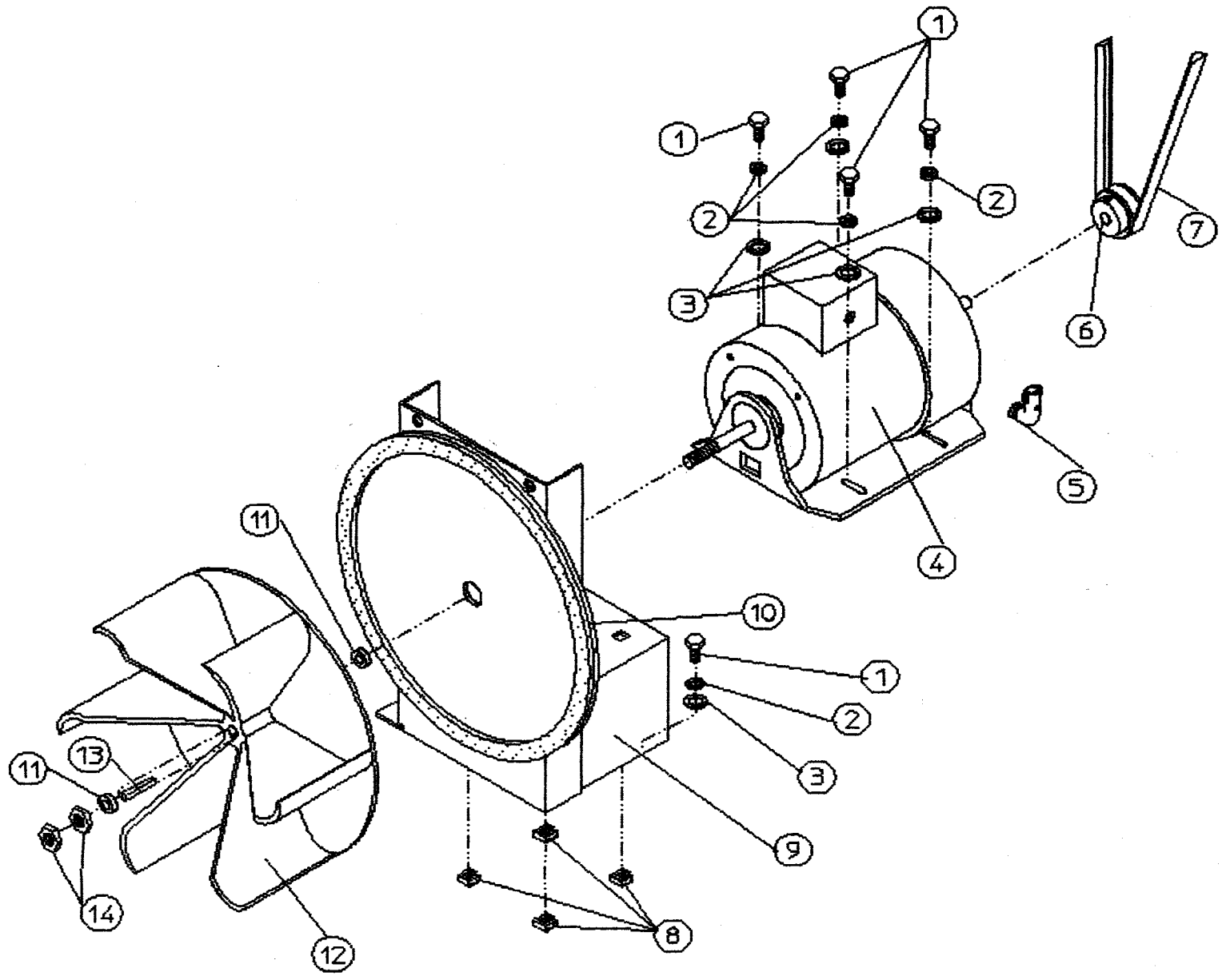
* FELT COLLAR NOT INCLUDED



AD-230 TUMBLER ASSEMBLY

ITEM	QTY	PART NUMBER	DESCRIPTION
1	1	800822*	230 TUMBLER AND SUPPORT COMPLETE
	1	800709	230 TUMBLER ONLY
	1	800878*	230 ST. STL. TUMBLER & SUPPORT ASSY
	1	800853	230 ST. STL TUMBLER ONLY
2	3	301309	230 TUMBLER RIB
	3	301409	230 STAINLESS STEEL TUMBLER RIB
3	24	150415	#10-16 X 1/2 PHIL. RH CRIMPTITE SCREW
4	1	116003	FELT COLLAR
	1	401010	ADHESIVE FOR FELT COLLAR
5	3	152004	5/16-18 HEX NUT
6	3	153002	5/16 LOCK WASHER
7	3	153001	5/16 FLAT WASHER
8	1	800617	215/230 TUMBLER SUPPORT ONLY
9	3	153003	3/8 FENDER WASHER
10	3	100902	5/16-18 X 31" LG TIE ROD
11	1	150518	5/16-18 X 3/8 SOCKET SCREW

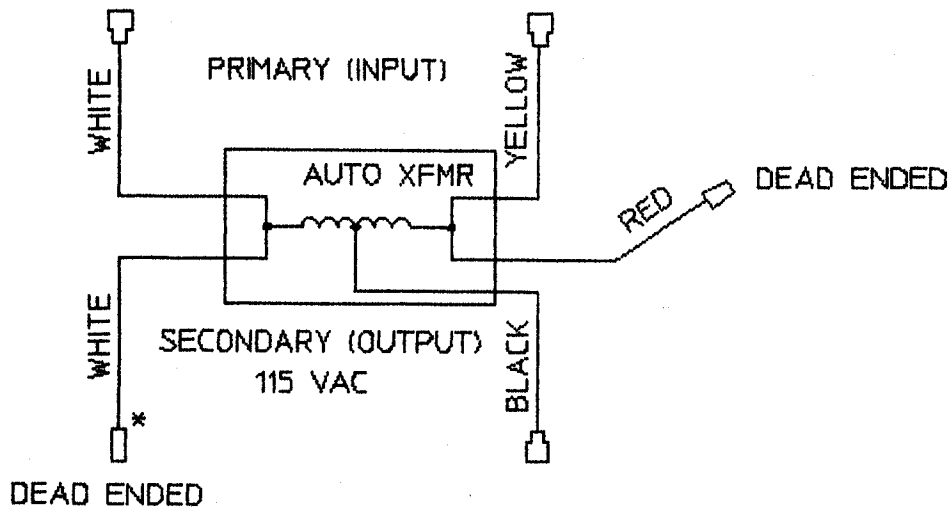
* FELT COLLAR NOT INCLUDED



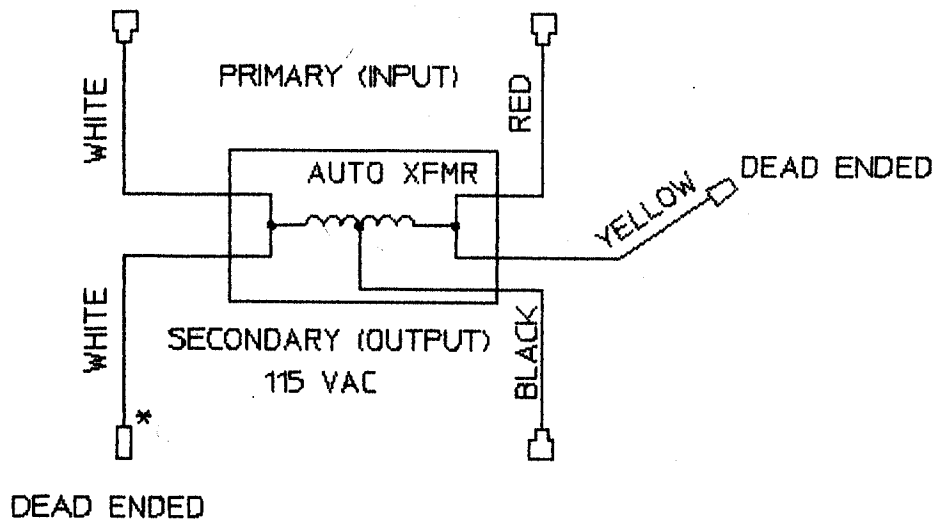
TOTALLY ENCLOSED FAN COOLED MOTOR MOUNT ASSEMBLY

ITEM	QTY	PART NUMBER	DESCRIPTION
1	8	150501	5/16-18 X 3/4 HH MACH. BOLT
2	8	153002	5/16 LOCK WASHER
3	8	153001	5/16 FLAT WASHER
4	1	100004	1/2 HP 115/208-230, 1 PH., 50/60 HZ, 56 FRAME, TEFC
	1	100007	1/2 HP 208-230/460V, 3 PH., 50/60 HZ, 56 FRAME
	1	100035	1/2 HP, 240V, 1 PH., 50 HZ 56 FRAME
5	1	120200	3/8-90 CONNECTOR
6	1	101104	1/2 DIA. X 2" PULLEY (#100004, 60 HZ)
	1	101131	1/2 DIA. X 2.25 PULLEY (#100004, 50HZ)
	1	101132	5/8 DIA. X 2" PULLEY (#100007, 60HZ)
	1	101133	5/8 DIA. X 2.25 PULLEY (#100007, #100035, 50HZ)
7	1	100113	V-BELT
8	4	154000	5/16-18 TINNEMAN NUT
9	1	800918	MOTOR MOUNT ONLY
	1	803886	100004 MOTOR MOUNT ASSY (60HZ)
	1	803900	100004 MOTOR MOUNT ASSY (50HZ)
	1	803901	100007 MOTOR MOUNT ASSY (60HZ)
	1	803902	100007 MOTOR MOUNT ASSY (50HZ)
	1	803887	100035 MOTOR MOUNT ASSY (50HZ)
10	4 ft.	117600	NOISE SUPPRESSOR TAPE (SOLD IN FEET)
11	3	153006	1/2" SPECIAL MOTOR WASHER
12	1	100604	12.5" PLASTIC IMPELLOR
13	1	100702	1/8 X 1/8 X 1 1/2 KEY
14	2	152006	1/2-20 LH JAM NUT

208 Vac Controls

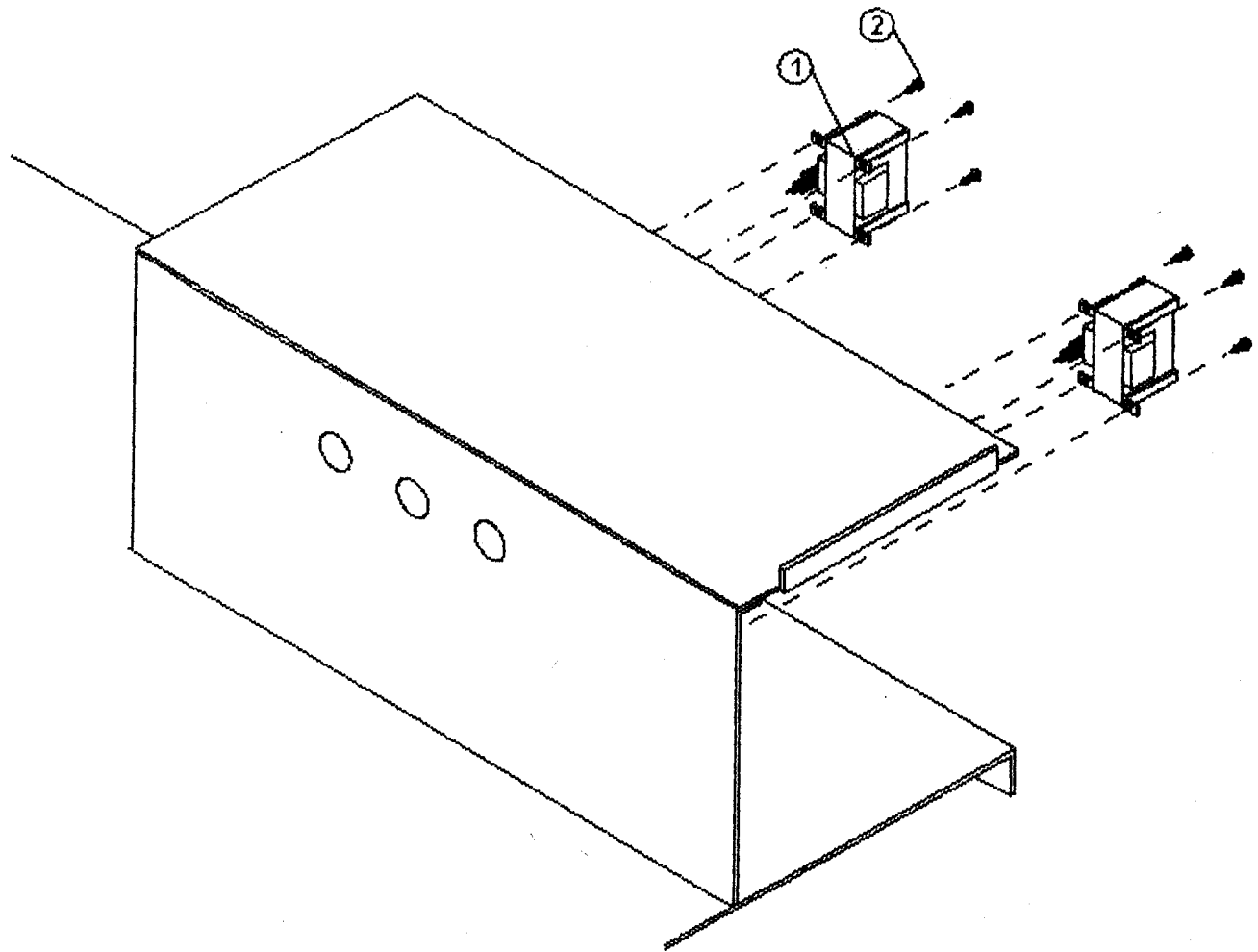


230 Vac Controls



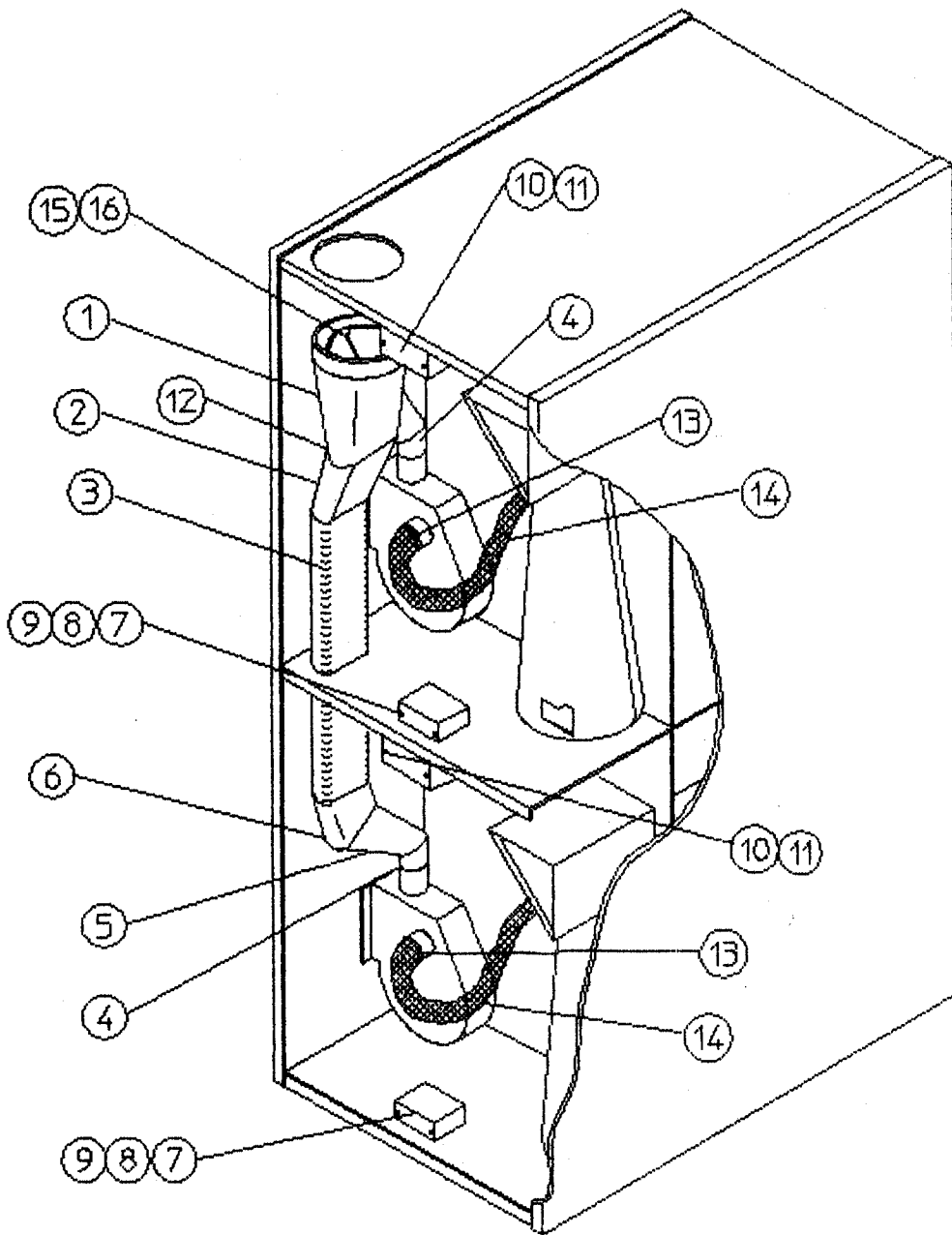
*BOTH WHITE WIRES ARE COMMON. SO YOU CAN CONNECT EITHER ONE.

CONTROL/HEAT STEP DOWN TRANSFORMER WIRING



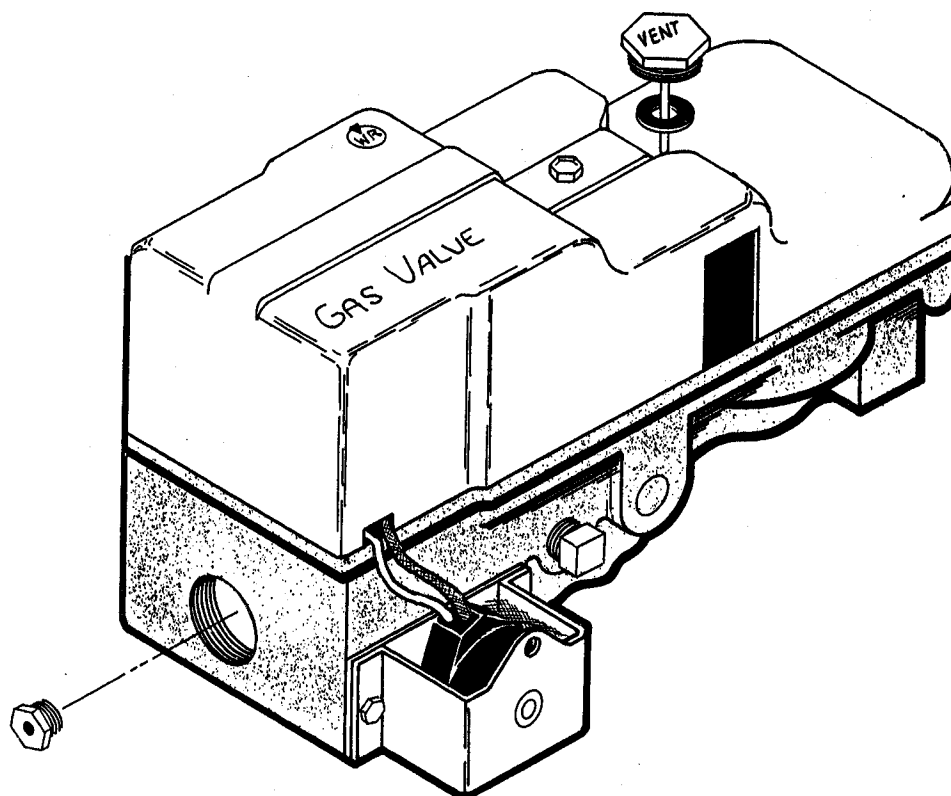
ITEM	QTY	PART NUMBER	DESCRIPTION
1	1	132002*	200 WATT TRANSFORMER
2	4	150300	#10 X 1/2 SELF-DRILLING SCREW
	1	880210	TRANSFORMER TERMINAL PACKAGE KIT

* 208/230 VOLT MODELS ONLY



EXHAUST DUCTING ASSEMBLY

ITEM	QTY	PART NUMBER	DESCRIPTION
1	1	143535	8" X 6" X 6" WYE BRANCH
2	1	143527	6" DIA. X 7" OVAL STR. BOOT
3	1	143539	7" OVAL X 15 1/2 LONG
4	2	143536	6" DIA. X 45° ELBOW
5	1	143538	6" DIA. X 7" OVAL STR. BOOT
6	1	143537	7" OVAL X 45° ELBOW
7	2	121104	JUNCTION BOX
8	2	121105	JUNCTION BOX COVER
9	4	150301	#8-18 X 7/16 PHIL. HD TEK SCREW
10	2	315025	REAR WIRING BOX COVER
11	4	150300	#10 X 1/2 S.D. SCREW
12	1	405009	ALUMINUM DUCT TAPE
13	1	143542	CLAMP
14	2	143541	HEAT RECLAIMER DUCT GASKET FOR 6" DIA. DAMPER
15	2	102315	GASKET FOR 6" DIA. DAMPER
16	2	104000	DAMPER, 6" DIA.



TO CONVERT FROM NATURAL TO L.P. GAS

DRYER MODEL

CONVERSION KIT P/N

AD-215
AD-230

874034
874033

- A. DISCONTINUE POWER TO DRYER.
- B. CLOSE SHUT OFF VALVE IN FRONT OF THE GAS VALVE THAT IS BEING CONVERTED.
- C. DISCONNECT GAS VALVE WIRING.
NOTE: IDENTIFY LOCATION OF EACH WIRE FOR CORRECT RE-INSTALLATION.
- D. UNPLUG GLO-BAR AND I.R. SENSOR. LOOSEN THE TWO SCREWS HOLDING DOWN THE GLO-BAR BRACKET. REMOVE THE GLO-BAR BRACKET.
NOTE: REMOVE THE GLO-BAR BRACKET TO PREVENT DAMAGE TO THE GLO-BAR.
- E. BREAK UNION CONNECTION AT GAS VALVE SHUT OFF BODY.
- F. REMOVE THE FLAME SPREADER FROM THE TOP OF THE BURNER TUBE. PULL FLAME SPREADER STRAIGHT UP IN ORDER TO REMOVE.
- G. REMOVE THE TWO SCREWS HOLDING THE GAS VALVE MOUNTING BRACKET TO THE DRYER.
- H. REMOVE THE GAS VALVE/BURNER TUBE ASSEMBLY FROM THE DRYER.
- I. UNSCREW THE NUT HOLDING THE BURNER TUBE IN PLACE. REMOVE THE TUBE FROM THE ASSEMBLY.
- J. UNSCREW THE MANIFOLD FROM THE OUTLET POINT OF THE GAS VALVE.
- K. UNSCREW THE MAIN BURNER ORIFICE. REPLACE WITH CORRECT SIZE ORIFICE.
NOTE: USE EXTREME CARE WHEN REMOVING THE ORIFICE. IT IS MADE OF BRASS AND CAN EASILY BE DAMAGED.

- L. LOCATE AND REMOVE GAS VALVE REGULATOR ADJUSTMENT (VENT) COVER. REPLACE WITH L.P. STEM COVER AND WASHER SUPPLIED IN THE L.P. CONVERSION KIT.
- M. LOCATE THE SMALL ORIFICE INSIDE OF THE GAS VALVE OUTLET PORT AND REMOVE WITH AN 11/32 NUT DRIVER. REPLACE WITH ORIFICE SUPPLIED WITH THE CONVERSION KIT.
- N. REVERSE PROCEDURE FOR RE-INSTALLING VALVE ASSEMBLY TO DRYER.
NOTE: AFTER GLO-BAR BRACKET IS RE-ATTACHED TO THE GAS VALVE MOUNTING BRACKET, MAKE SURE THAT THE GLO-BAR DOES NOT TOUCH EITHER THE BURNER TUBE, THE FLAME SPREADER OR THE I.R. SENSOR BRACKET.

IMPORTANT: EXTERNAL REGULATION OF A CONSISTANT 11 INCHES OF WATER COLUMN PRESSURE MUST NOW BE PROVIDED.

NOTE: WATER COLUMN PRESSURE READING OF 11 INCHES IS OBTAINED WHEN BURNER IS IN HI-FIRE.

