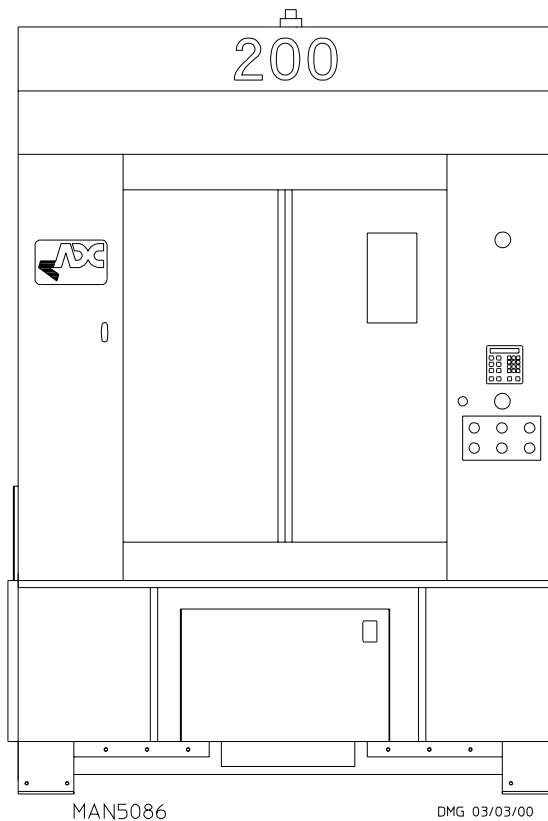




AD-200 Phase 7 Service Manual with Tilt Options



American Dryer Corporation
88 Carrant Road
Fall River, MA 02720-4781
Telephone: (508) 678-9000 / Fax: (508) 678-9447
E-mail: techsupport@amdry.com

Retain This Manual In A Safe Place For Future Reference

American Dryer Corporation products embody advanced concepts in engineering, design, and safety. If this product is properly maintained, it will provide many years of safe, efficient, and trouble-free operation.

ONLY qualified technicians should service this equipment.

OBSERVE ALL SAFETY PRECAUTIONS displayed on the equipment or specified in the installation/operator's manual included with the dryer.

The following “**FOR YOUR SAFETY**” caution **must be** posted near the dryer in a prominent location.

FOR YOUR SAFETY

Do not store or use gasoline or other flammable vapors or liquids in the vicinity of this or any other appliance.

POUR VOTRE SÉCURITÉ

Ne pas entreposer ni utiliser d'essence ni d'autres vapeurs ou liquides inflammables dans le voisinage de cet appareil ou de tout autre appareil.

We have tried to make this manual as complete as possible and hope you will find it useful. **ADC** reserves the right to make changes from time to time, without notice or obligation, in prices, specifications, colors, and material, and to change or discontinue models.

Important

For your convenience, log the following information:

DATE OF PURCHASE _____ MODEL NO. **AD-200 Phase 7 Tilting**

DISTRIBUTORS NAME _____

Serial Number(s) _____

Replacement parts can be obtained from your distributor or the **ADC** factory. When ordering replacement parts from the factory, you can FAX your order to **ADC** at (508) 678-9447 or telephone your orders directly to the **ADC** Parts Department at (508) 678-9000. Please specify the dryer **model number** and **serial number** in addition to the **description** and **part number**, so that your order is processed accurately and promptly.

“IMPORTANT NOTE TO PURCHASER”

Information must be obtained from your local gas supplier on the instructions to be followed if the user smells gas. These instructions must be posted in a prominent location near the dryer.

IMPORTANT

YOU MUST DISCONNECT and LOCKOUT THE ELECTRIC SUPPLY and THE GAS SUPPLY or THE STEAM SUPPLY BEFORE ANY COVERS or GUARDS ARE REMOVED FROM THE MACHINE TO ALLOW ACCESS FOR CLEANING, ADJUSTING, INSTALLATION, or TESTING OF ANY EQUIPMENT per OSHA (Occupational Safety and Health Administration) STANDARDS.

FOR YOUR SAFETY

DO NOT STORE OR USE GASOLINE OR OTHER FLAMMABLE VAPOR AND LIQUIDS IN THE VICINITY OF THIS OR ANY OTHER APPLIANCE.

DO NOT DRY MOP HEADS IN THE DRYER.

DO NOT USE DRYER IN THE PRESENCE OF DRY CLEANING FUMES.

CAUTION

DRYERS SHOULD NEVER BE LEFT UNATTENDED WHILE IN OPERATION.

WARNING

CHILDREN SHOULD NOT BE ALLOWED TO PLAY ON OR NEAR THE DRYERS.

CHILDREN SHOULD BE SUPERVISED IF NEAR DRYER(S) IN OPERATION.

WARNING

The dryer must never be operated with any of the back guards, outer tops, or service panels removed. PERSONAL INJURY or FIRE COULD RESULT.

WARNING

DRYER MUST NEVER BE OPERATED WITHOUT THE LINT FILTER OR SCREEN IN PLACE, EVEN IF AN EXTERNAL LINT COLLECTION SYSTEM IS USED.

IMPORTANT

PLEASE OBSERVE ALL SAFETY PRECAUTIONS displayed on the equipment and specified in the installation and operator's manual included with the dryer.

Dryers **must not** be installed or stored in an area where it will be exposed to water or weather.

The wiring diagram for the dryer is located in the front electrical control box area.

Table of Contents

AD-200 REFERENCE GUIDE (Tumbler [Basket] Section)	3
AD-200 REFERENCE GUIDE (Base Section)	4
SECTION I	
SAFETY PRECAUTIONS	5
SECTION II	
ROUTINE MAINTENANCE	7
A. Cleaning	7
B. Lubrication	9
C. Adjustments	10
SECTION III	
SPECIFICATIONS and DIMENSIONS	11
A. Specifications (Gas and Steam Models)	11
B. Dimensions	12
SECTION IV	
INSTALLATION REQUIREMENTS	15
A. Enclosure/Air Supply/Exhaust Requirements	15
B. Electrical and Gas Requirements	16
C. Operational Service Check Procedure	16
SECTION V	
COMPONENT DESCRIPTION/REPLACEMENT	17
A. Heat Section	17
B. Troubleshooting The Direct Spark Ignition (DSI) System	23
C. Natural Gas and L.P. (Liquid Propane) Gas Conversion Instructions	40
D. Steam Coil System Operation	41
E. Sprinkler System Description	46
F. Tilting System Description	52
G. Air Jet Assembly	58
H. Blower (Squirrel Cage Fan) Motor Assembly	60
I. Filter/Regulator Assembly	67
J. Door Systems	68
K. Control and Electrical System	74
L. Tumbler (Basket) System	87

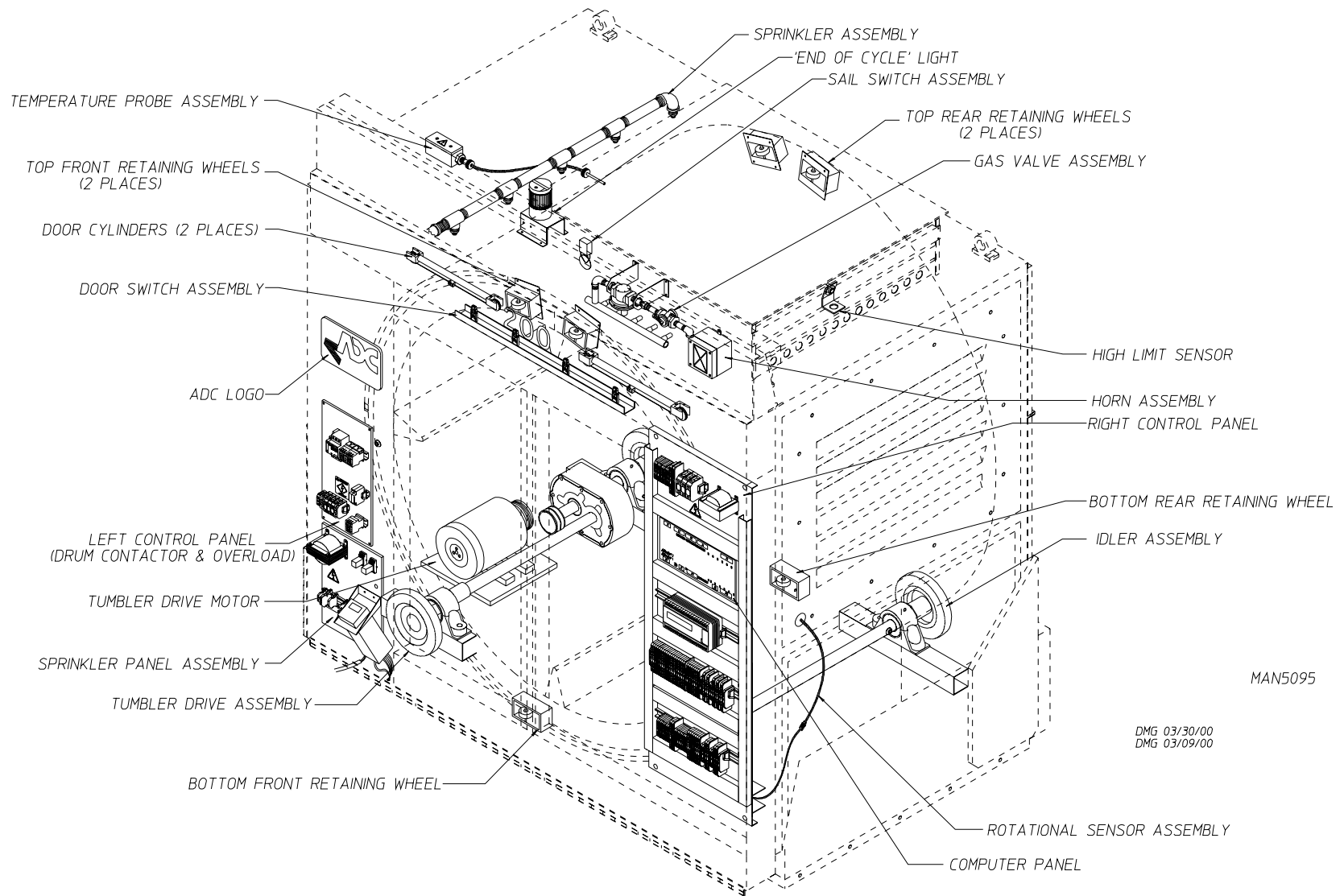
SECTION VI
PHASE 7 OPL SYSTEM DIAGNOSTICS 96
 A. Diagnostic (L.E.D. Display) Fault Messages 96
 B. I/O Board Input and Output L.E.D. Indicators 97

SECTION VII
TROUBLESHOOTING 102

SECTION VIII
PROCEDURE FOR FUNCTIONAL CHECK OF REPLACEMENT
 COMPONENTS 110

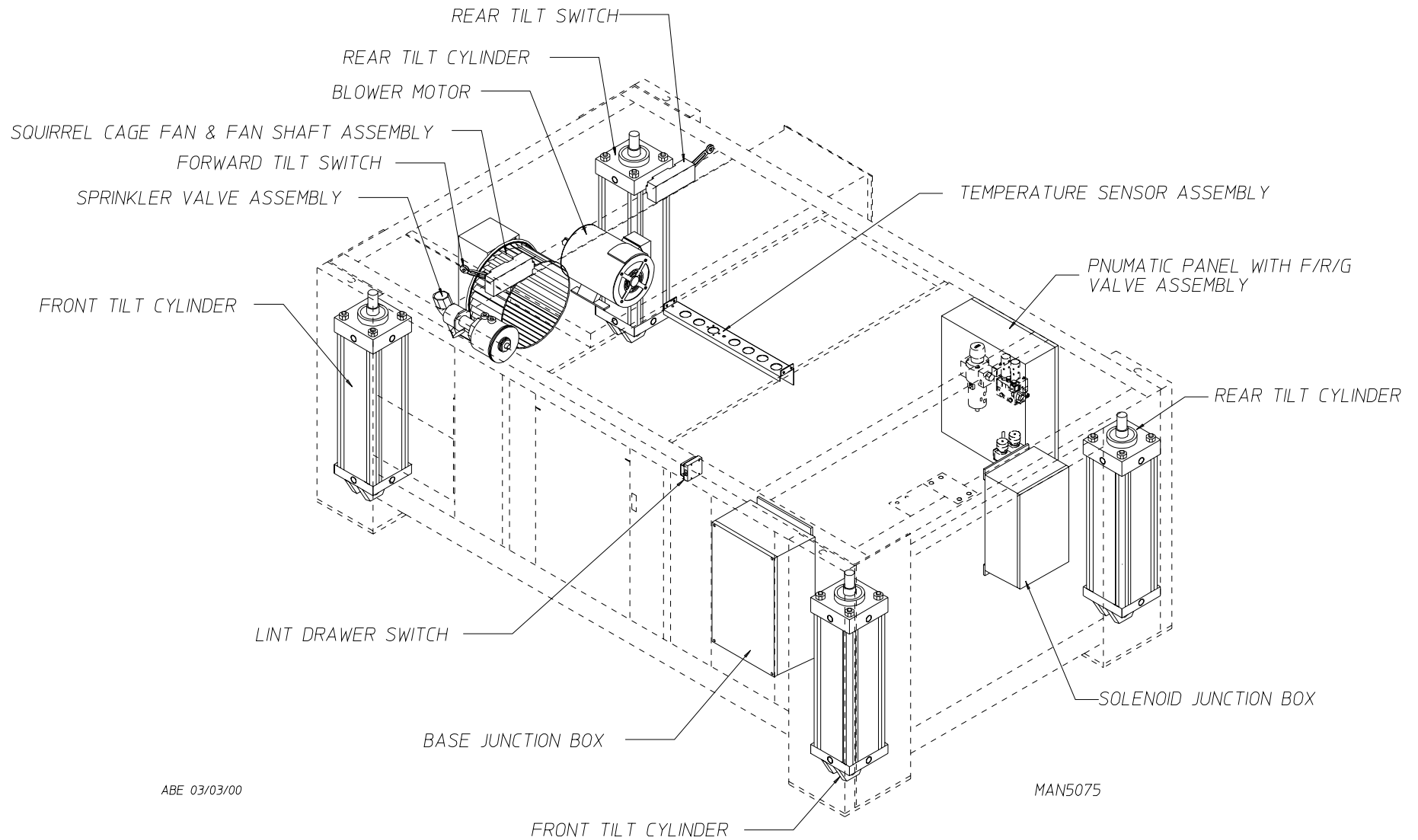
AD-200 Reference Guide

(Tumbler [Basket] Section)



AD-200 Reference Guide

(Base Section)



SECTION I

SAFETY PRECAUTIONS

CAUTION: The dryer *should never be* left unattended while in operation.

WARNING: For your safety, the information in this manual *must be* followed to minimize the risk of fire or explosion or to prevent property damage, personal injury, or loss of life.

WARNING: The dryer *must never be* operated with any of the back guards, outer tops, or service panels removed. **PERSONAL INJURY or FIRE COULD RESULT.**

1. **DO NOT** store or use gasoline or other flammable vapors and liquids in the vicinity of this or any other appliance.
2. Purchaser/user should consult the local gas supplier for proper instructions to be followed in the event the user smells gas. The instructions **should be** posted in a prominent location.
3. WHAT TO DO IF YOU SMELL GAS...
 - a. **DO NOT** try to light any appliance.
 - b. **DO NOT** touch any electrical switch.
 - c. **DO NOT** use any phone in your building.
 - d. Clear the room, building, or area of **ALL** occupants.
 - e. Immediately call your gas supplier from a neighbor's phone. Follow the gas supplier's instructions.
 - f. If you **cannot** reach your gas supplier, call the fire department.
4. Installation and service **must be** performed by a qualified installer, service agency, or gas supplier.
5. Dryer(s) **must be** exhausted to the outdoors.
6. Although ADC produces a very versatile machine, there are some articles that, due to fabric composition or cleaning method, **should not be** dried in it.

WARNING: Dry only water-washed fabrics. **DO NOT** dry articles spotted or washed in dry cleaning solvents, a combustible detergent, or "all purpose" cleaner.
EXPLOSION COULD RESULT.

WARNING: **DO NOT** dry rags or articles coated or contaminated with gasoline, kerosene, oil, paint, or wax.
EXPLOSION COULD RESULT.

WARNING: *DO NOT* dry mop heads. Contamination by wax or flammable solvent will create a fire hazard.

WARNING: *DO NOT* use heat for drying articles that contain plastic, foam, sponge rubber, or similarly textured rubberlike materials. Drying in a heated tumbler (basket) may damage plastics or rubber and also may be a fire hazard.

7. A program **should be** established for the inspection and cleaning of lint in the burner area, exhaust duct work, and area around the back of the dryer. The frequency of inspection and cleaning can best be determined from experience at each location.

WARNING: The collection of lint in the burner area and exhaust duct work can create a potential fire hazard.

8. For personal safety, the dryer **must be** electrically grounded in accordance with local codes and/or the National Electrical Code ANSI/NFPA NO. 70-LATEST EDITION or in Canada, the Canadian Electrical Codes Parts 1 & 2 CSA C22.1-1990 or LATEST EDITION.

NOTE: Failure to do so will VOID THE WARRANTY.

9. **UNDER NO CIRCUMSTANCES** should the dryer door switches, lint drawer switch, or heat safety circuit, ever be disabled.

WARNING: PERSONAL INJURY or FIRE COULD RESULT.

10. This dryer is not to be used in the presence of dry cleaning solvents or fumes.
11. Remove articles from the dryer as soon as the drying cycle has been completed.

WARNING: Articles left in the dryer after the drying and cooling cycles have been complete can create a fire hazard.

12. **READ and FOLLOW ALL CAUTION and DIRECTION LABELS ATTACHED TO THE DRYER.**

WARNING: YOU MUST DISCONNECT and LOCKOUT THE ELECTRIC SUPPLY and THE GAS SUPPLY or THE STEAM SUPPLY BEFORE ANY COVERS or GUARDS ARE REMOVED FROM THE MACHINE TO ALLOW ACCESS FOR CLEANING, ADJUSTING, INSTALLATION, or TESTING OF ANY EQUIPMENT per OSHA (Occupational Safety and Health Administration) STANDARDS.

IMPORTANT: Label ALL wires prior to disconnection when servicing the microprocessor controller (computer) and the ignition module. **WIRING ERRORS CAN CAUSE IMPROPER and DANGEROUS OPERATION.**

SECTION II

ROUTINE MAINTENANCE

A. CLEANING

A schedule **should be** established for periodic inspection, cleaning, and removal of lint from various areas of the dryer, as well as throughout the duct work system. The frequency of cleaning can best be determined from experience at each location. Maximum operating efficiency is dependent upon proper air circulation. The accumulation of lint can restrict this airflow. If the guidelines in this section are met, an ADC dryer will provide many years of efficient, trouble-free, and - most importantly - safe operation.

WARNING: LINT FROM MOST FABRICS IS HIGHLY COMBUSTIBLE. THE ACCUMULATION OF LINT CAN CREATE A POTENTIAL FIRE HAZARD.

WARNING: KEEP DRYER AREA CLEAR and FREE FROM COMBUSTIBLE MATERIALS, GASOLINE, and OTHER FLAMMABLE VAPORS and LIQUIDS.

NOTE: REMOVE POWER FROM THE MACHINE BEFORE PERFORMING ANY MAINTENANCE IN THE MACHINE.

NOTE: Suggested time intervals shown are for average usage which is considered six (6) to eight (8) operational (running) hours per day.

SUGGESTED CLEANING SCHEDULE

EVERY THIRD or FOURTH LOAD

Clean the lint screen. A clogged lint screen will cause poor dryer performance. The lint screen is located in the lint drawer in the base of the dryer. Pull out the lint drawer, brush the lint off the lint screen, and remove the lint. Inspect the lint screen and replace if torn.

NOTE: The frequency of cleaning the lint screens can best be determined from experience at each location.

WEEKLY

Open the hinged panels on each side of the tumbler (basket) section and remove any lint accumulation from the tumbler (basket) drive motor, drive shafts, gear reducer, drive belts, drive wheels, and drive shaft bearings.

Slide the lint basket **ALL** the way out of the dryer and clean any lint accumulation off of the temperature sensor bracket, which is located above the lint basket.

WARNING: TO AVOID THE HAZARD OF ELECTRICAL SHOCK, DISCONTINUE ELECTRICAL SUPPLY TO THE DRYER.

MONTHLY

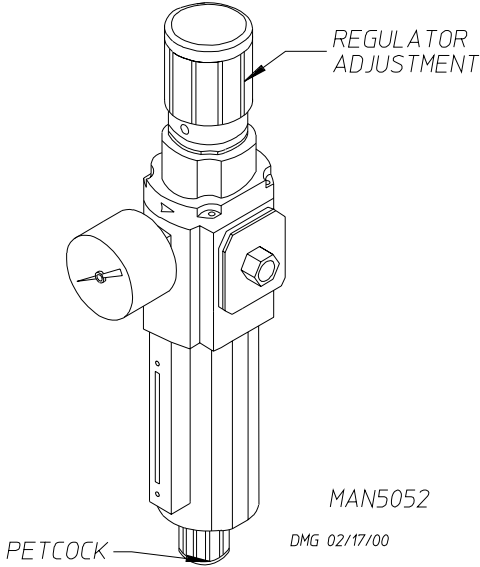
Empty the compressed air filter bowl.

NOTE: REGULATOR PRESSURE IS TO BE SET AT 80 PSI (5.51 BARS).

Clean any lint accumulation from the gas valve and burner area at the top of the dryer, the fan (impellor) motor, and the fan (impellor) bearings located in the dryer base.

EVERY 6 MONTHS

STEAM MODELS -Clean the steam coil fins. We suggest using compressed air and a vacuum cleaner with brush attachment.



NOTE: When cleaning steam coil fins, be careful not to bend the fins. If fins are bent, straighten by using a fin comb, which is available from any local air conditioning supply house.

Inspect and remove any lint accumulation in customer furnished exhaust duct work system and from the dryer's internal exhaust ducting.

NOTE: THE ACCUMULATION OF LINT IN THE EXHAUST DUCT WORK CAN CREATE A POTENTIAL FIRE HAZARD.

NOTE: DO NOT OBSTRUCT THE FLOW OF COMBUSTION and VENTILATION AIR. CHECK CUSTOMER FURNISHED BACK DRAFT DAMPERS IN THE EXHAUST DUCT WORK. INSPECT and REMOVE ANY LINT ACCUMULATION WHICH CAN CAUSE THE DAMPER TO BIND or STICK.

NOTE: When cleaning the dryer cabinet(s), avoid using harsh abrasives. A product intended for the cleaning of appliances is recommended.

Clean off any lint accumulation on top of the temperature probe and the hi-limit switch located above the lint basket.

B. LUBRICATION

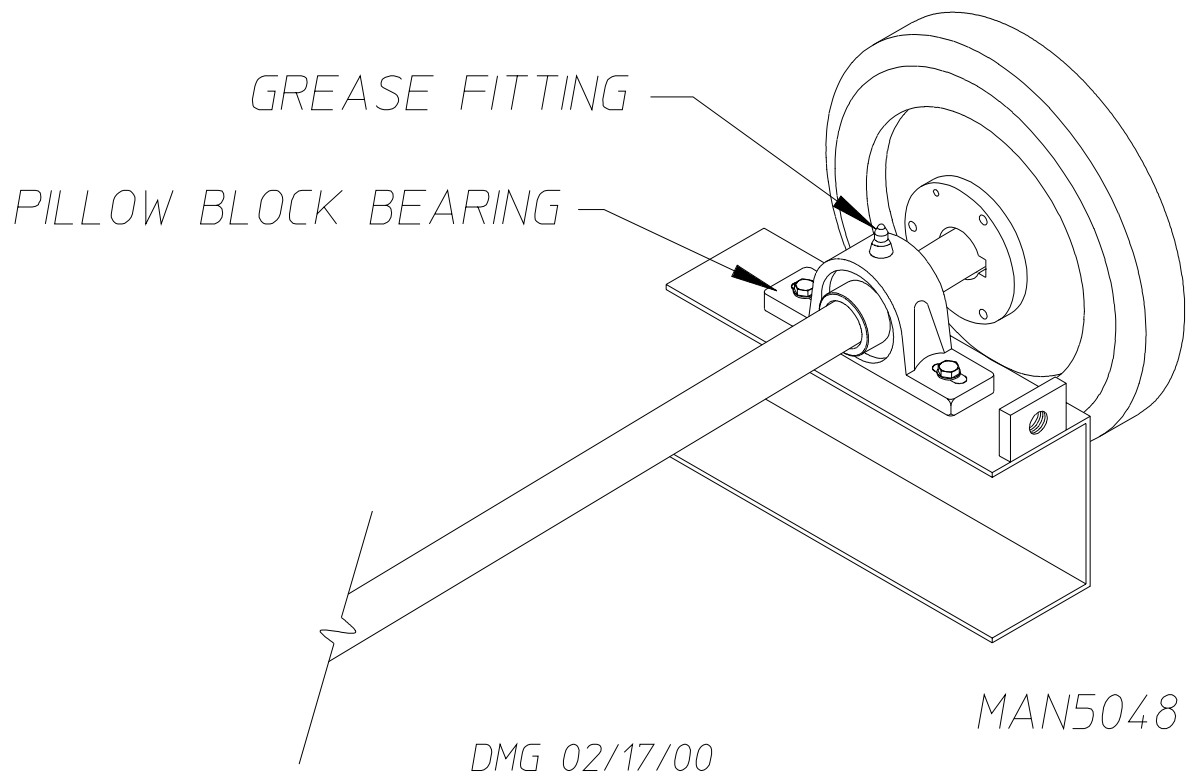
MONTHLY

The two (2) bearings that support the impellor/fan shaft **must be** lubricated. Use Shell Alvania #2 grease or its equivalent. Generically, this grease would be described as an NLGI Grade 2 multipurpose industrial grease with a lithium thickener and mineral base oil.

EVERY 3 MONTHS

The four (4) bearings that support the drive and idler shafts **must be** lubricated. Use Shell Alvania #2 grease or its equivalent. Generically, this grease would be described as an NLGI Grade 2 multipurpose industrial grease with a lithium thickener and mineral base oil.

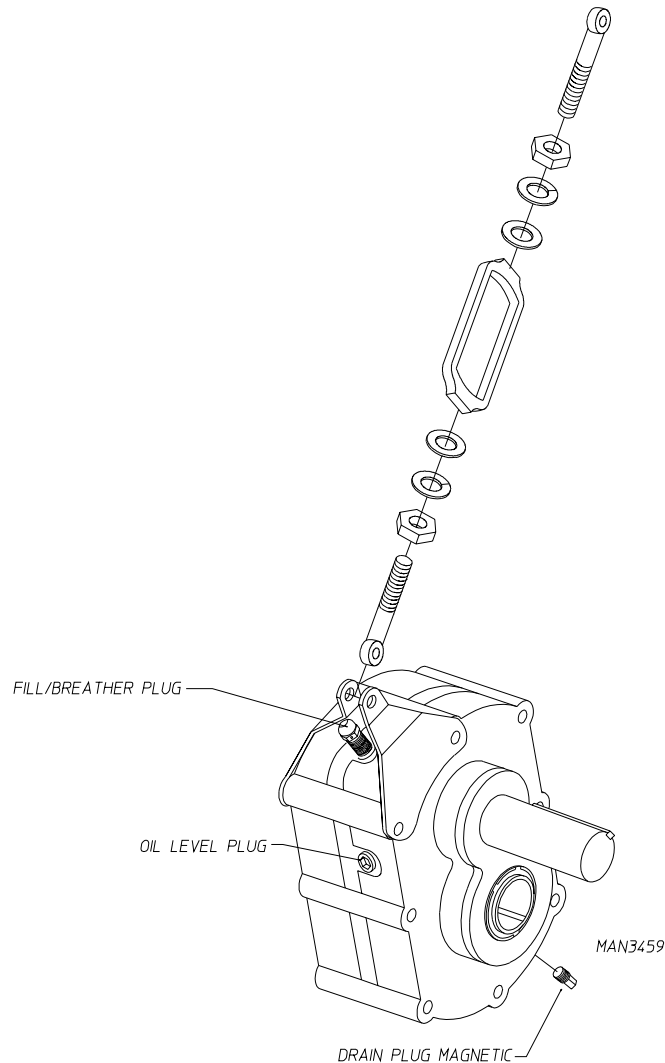
Apply grease (Use Viscosity Shell Alvania #2 grease or its equivalent) to the tilting hinges (on 1-Way Tilt Models ONLY).



EVERY 6 MONTHS

Change gear oil in tumbler shaft gear reducer.

1. Remove the drain plug (located at the bottom rear of the reducer).
2. After oil is completely drained, replace the drain plug.
3. Remove the vent plug and pour in 1.4 liters of Mobil Oil DTE HH5G (I.S.O. viscosity grade 460), SAE 90, or its equivalent.



C. ADJUSTMENTS

7 DAYS AFTER INSTALLATION and EVERY 6 MONTHS THEREAFTER

Inspect bolts, nuts, screws, (bearing set screws), nonpermanent gas connections (i.e., unions, shut-off valves, orifices), and grounding connections. Fan (impellor) V-belts, along with the motor and drive belts **should be** examined and replaced if necessary. Tighten loose V-belts when necessary. Complete operational check of controls and valves. Complete operational check of **ALL** safety devices (i.e., door switches, lint drawer switch, sail switch, burner, and hi-limit thermostats).

SECTION III

SPECIFICATIONS and DIMENSIONS

A. SPECIFICATIONS (Gas and Steam Models)

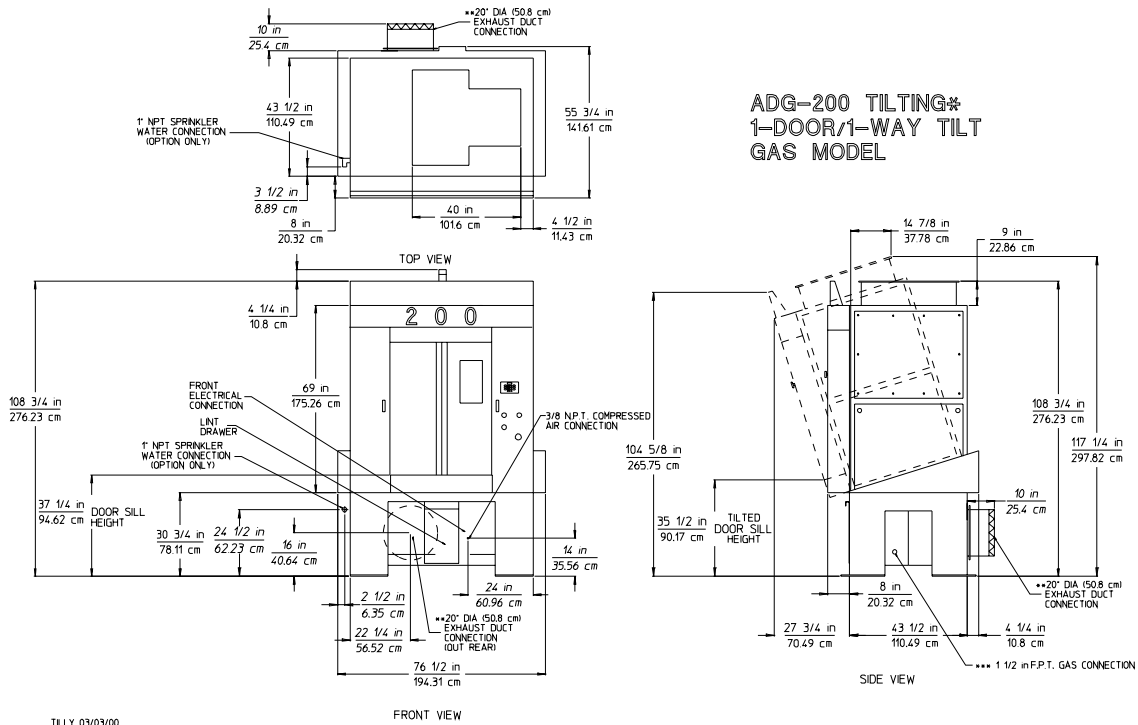
MAXIMUM CAPACITY (DRY WEIGHT)		200 lbs.	90.9 kg		
TUMBLER (BASKET) DIAMETER		62-1/2"	158.75 cm		
TUMBLER (BASKET) DEPTH		42"	106.7 cm		
TUMBLER (BASKET) VOLUME		74.5 cu. ft.	2.11 cu.m.		
DRIVE MOTOR		3 HP	2.24 kw		
BLOWER MOTOR (GAS/STEAM)		7-1/2 HP/15 HP	5.6 kw/11.2 kw		
DOOR OPENING		36-3/4" WIDE x 43" HIGH	93.3 cm x 109.2 cm		
DOOR SILL HEIGHT - LEVEL		37-1/4"	94.6 cm		
COMPRESSED AIR		80 PSI	5.51 bars		
COMPRESSED AIR CONNECTION		3/8" F.P.T.	---		
Gas*	VOLTAGE AVAILABLE		208-460v 3 ϕ 3, 4w 50/60 Hz		
	HEAT INPUT		750,000 btu/hr	189,000 kcal/hr	
	APPROX. WEIGHT (UNCRATED)		3,369 lbs.	1,528 kg	
	AIRFLOW		5,300 cfm	150 cmm	
	INLET PIPE SIZE		1-1/4"	3.18 cm	
Steam*	VOLTAGE AVAILABLE		208-460v 3 ϕ 3, 4w 50/60 Hz		
	APPROX. WEIGHT (UNCRATED)		3,719 lbs.	1,687 kg	
	AIRFLOW		6,500 cfm	184 cmm	
	STEAM CONSUMPTION		BOILER HP NORMAL LOAD		
	890 lbs/hr	404.5 kg/hr	27		
	OPERATING STEAM PRESSURE		STEAM SUPPLY		STEAM RETURN
	125 PSI max	8.79 kg/sq cm	1-1/2"	3.81 cm	3/4" 19.05 mm

Shaded areas are stated in metric equivalents

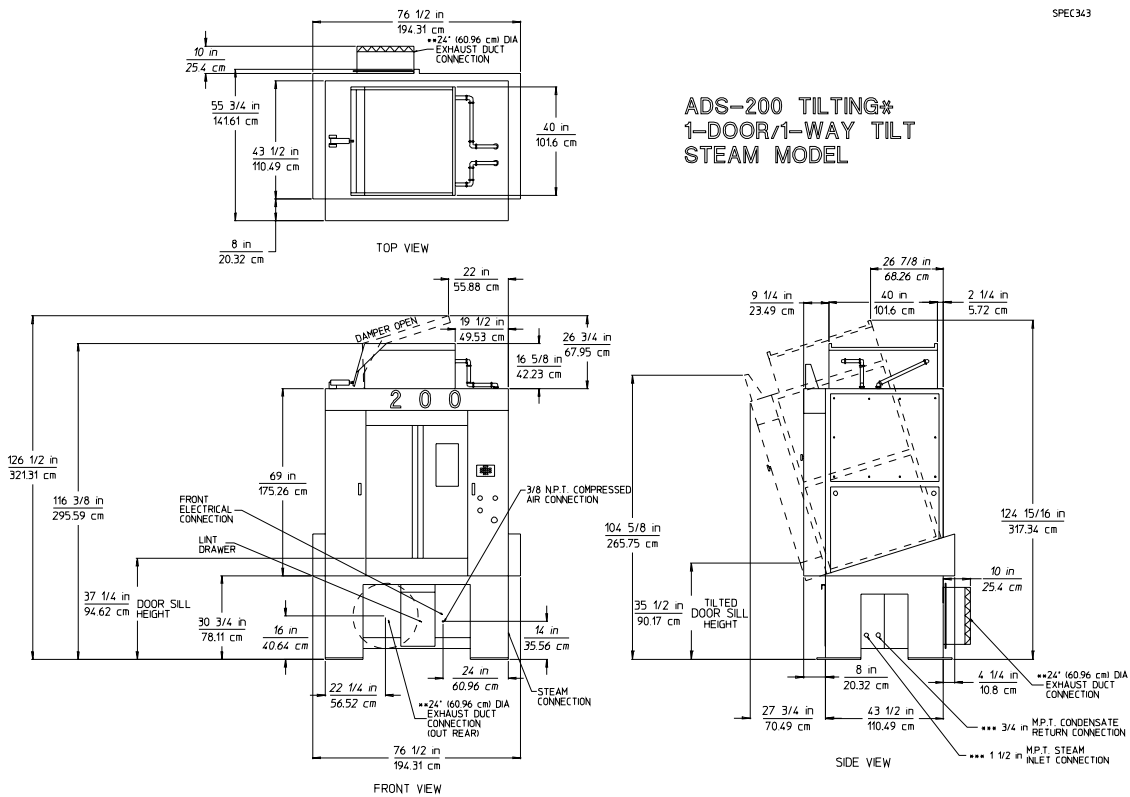
* Dryer **must be** provided with a clean, dry, regulated 80 PSI +/- 10 PSI (5.51 bars +/- 0.68 bars) air supply (equivalent volume = 9 cfh [0.26 cmh]).

NOTE: ADC reserves the right to make changes in specifications at any time, without notice or obligation.

B. DIMENSIONS

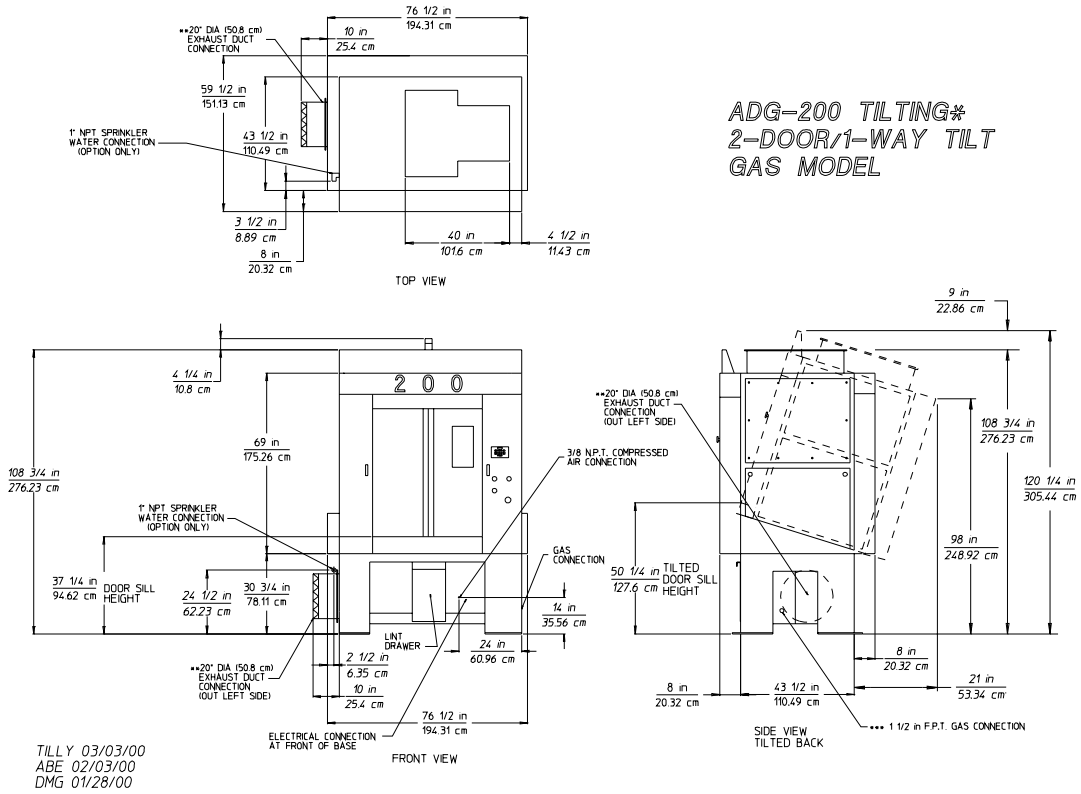


SPEC343



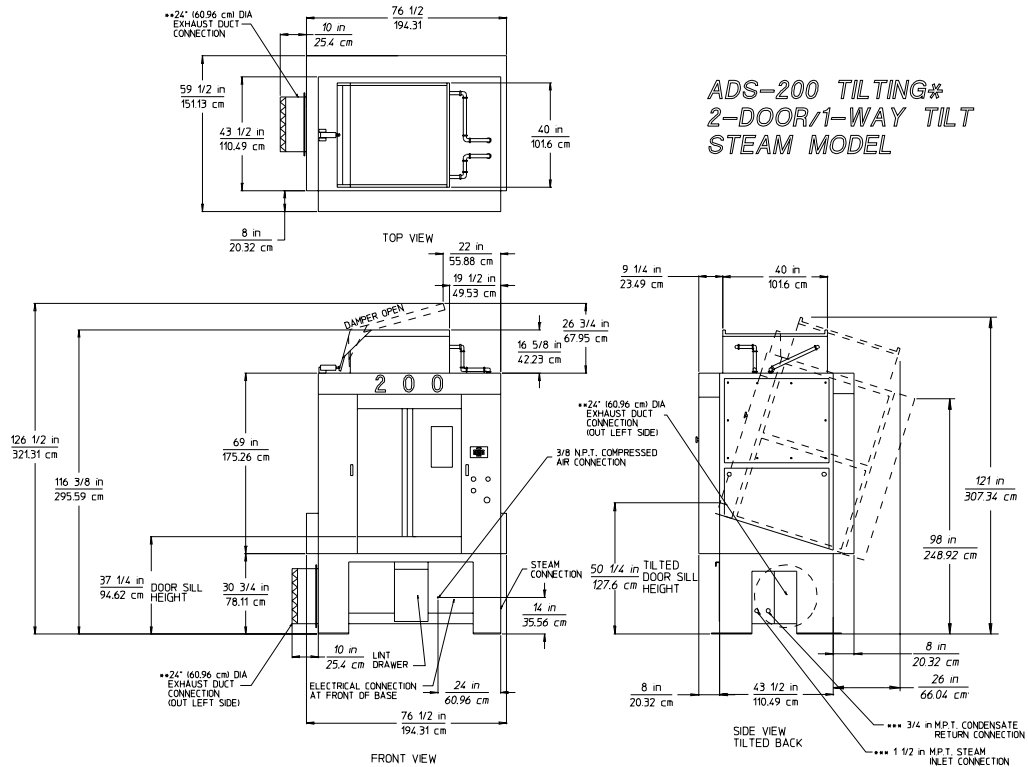
NOTE: ADC reserves the right to make changes in specifications at any time, without notice or obligation.

**ADG-200 TILTING*
2-DOOR/1-WAY TILT
GAS MODEL**



SPEC365

**ADS-200 TILTING*
2-DOOR/1-WAY TILT
STEAM MODEL**

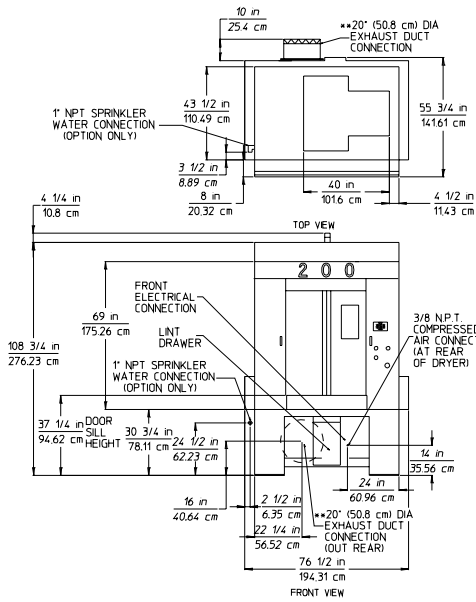


* BOTH GAS AND STEAM TILTING UNITS MUST BE SUPPLIED WITH CLEAN, DRY, REGULATED AIR AT 80 PSI +/- 10 PSI (5.51 bars +/- 0.65 bars).

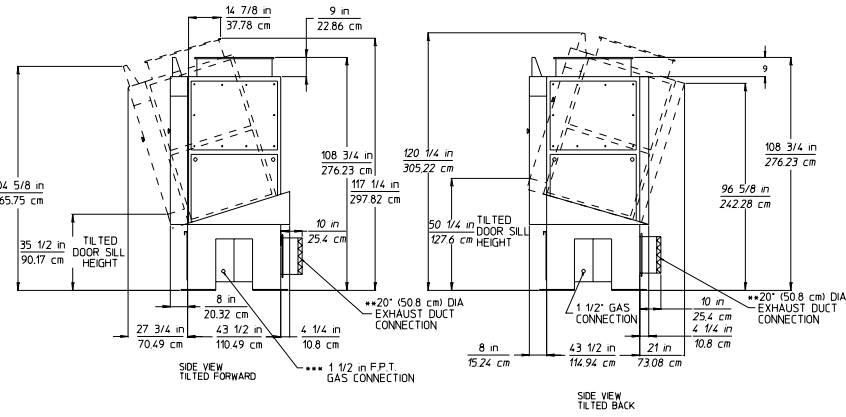
** DUCT WORK SIZE VARIES WITH INSTALLATION CONDITIONS.
*** SIZE OF PIPING TO DRYER VARIES WITH INSTALLATION CONDITIONS. CONTACT FACTORY FOR ASSISTANCE.

NOTE: ADC reserves the right to make changes in specifications at any time, without notice or obligation.

NOTE: ADC reserves the right to make changes in specifications at any time, without notice or obligation.



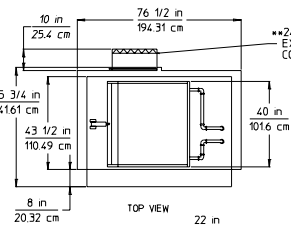
ADG-200*
1 DOOR/2-WAY TILT
GAS MODEL



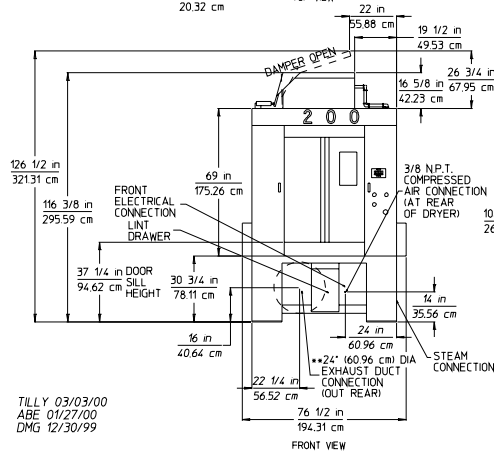
* BOTH GAS AND STEAM TILTING UNITS MUST BE SUPPLIED WITH CLEAN, DRY, REGULATED AIR AT 80 PSI ± 10 PSI (5.51 bars ± 0.65 bars)

SPEC344

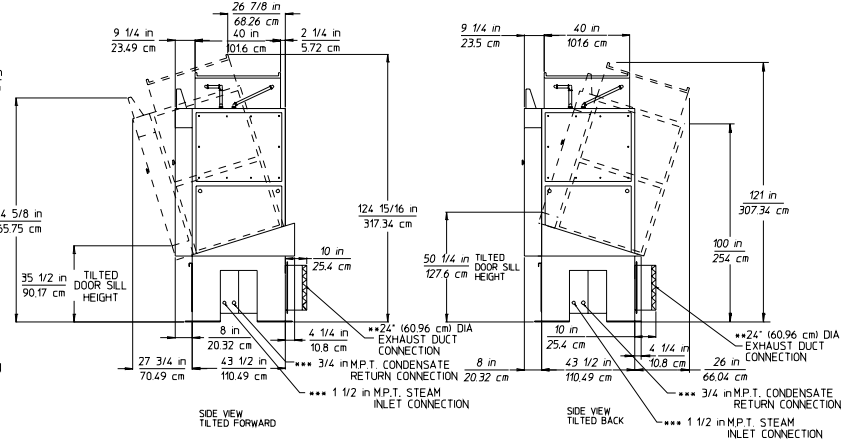
** DUCT WORK SIZE VARIES WITH INSTALLATION CONDITIONS
*** SIZE OF PIPING TO DRYER VARIES WITH INSTALLATION CONDITIONS. CONTACT FACTORY FOR ASSISTANCE.



ADS-200*
1 DOOR/2-WAY TILT
STEAM MODEL



TILLY 03/03/00
ABE 01/27/00
DMG 12/30/99



SECTION IV

INSTALLATION REQUIREMENTS

Installation **should be** performed by competent technicians in accordance with local and state codes. In the absence of these codes, installation **must conform** to applicable American National Standards: National Fuel Gas Code ANSI.Z223.1-LATEST EDITION and/or National Electrical Code ANSI/NFPA NO. 70-LATEST EDITION, or in Canada, the Canadian Electrical Codes Parts 1 & 2 CSA C22.1-1990 or LATEST EDITION.

A. ENCLOSURE/AIR SUPPLY/EXHAUST REQUIREMENTS

NOTE: The following information is very brief and general. For detailed description, refer to the AD-200 Phase 7 Tilting Installation/Operator's Manual (ADC Part No. 113109) included with the dryer.

Bulkheads and partitions around the dryer **should be** made of noncombustible materials. Allowances **should be** made for the opening and closing of the control door and lint door. Also, allowances **should be** made in the rear for ease of maintenance. (Refer to the AD-200 Phase 7 Tilting Installation/Operator's Manual [ADC Part No. 113109] for recommended distances and minimum allowances required.)

When the dryer is operating, it draws in room air, heats it, passes this air through the tumbler (basket), and exhausts it out of the building. Therefore, the room air **must be** continually replenished from the outdoors. If the make-up air is inadequate, drying time and drying efficiency will be adversely affected. Ignition problems and sail switch "fluttering" problems on gas dryers may result, and you also could have premature motor failure from overheating. The air supply **must be** given careful consideration to insure proper performance of each dryer.

IMPORTANT: Make-up air **must be** provided from a source free of dry cleaning fumes. Make-up air that is contaminated by dry cleaning fumes will result in irreparable damage to motors and other dryer components.

Exhaust duct work **should be** designed and installed by a competent technician. Improperly sized duct work will create excessive back pressure which will result in slow drying, increased use of energy, and shut down of the burner by the airflow (sail) switch, burner hi-limit or lint chamber hi-heat protector thermostat. (Refer to the AD-200 Phase 7 Tilting Installation/Operator's Manual [ADC Part No. 113109] for more details.)

**CAUTION: IMPROPERLY SIZED or INSTALLED EXHAUST DUCT WORK CAN
CREATE A POTENTIAL FIRE HAZARD.**

B. ELECTRICAL and GAS REQUIREMENTS

It is your responsibility to have **ALL** electrical connections made by a properly licensed and competent electrician to assure that the electrical installation is adequate and conforms with local and state regulations or codes. In the absence of such codes, **ALL** electrical connections, material, and workmanship **must conform** to the applicable requirements of the National Electrical Code ANSI/NFPA NO. 70-LATEST EDITION, or in Canada, the Canadian Electrical Codes Parts 1 & 2 CSA C22.1-1990 or LATEST EDITION.

IMPORTANT: Failure to comply with these codes or ordinances and/or the requirements stipulated in this manual can result in personal injury or component failure.

The dryer installation **must meet** the American National Standard, National Fuel Gas Code ANSI Z223.1-LATEST EDITION, or in Canada, the Canadian Electrical Codes Parts 1 & 2 CSA C22.1-1990 or LATEST EDITION (for Electrical Connections) as well as, local codes and ordinances, and **must be** done by a qualified technician.

NOTE: Undersized gas piping will result in ignition problems and slow drying and can create a safety hazard.

The dryer **must be** connected to the type of gas (natural or L.P. [liquid propane]) indicated on the dryer data label. If this information does not agree with the type of gas available, contact the distributor who sold the dryer or contact the factory.

The gas input ratings shown on the dryer data label are for elevations up to 2,000 feet (609.6 meters), unless elevation requirements of over 2,000 feet (609.6 meters) were specified at the time the dryer order was placed with the factory. The adjustment for dryers in the field for elevations over 2,000 feet (609.9 meters) are made by changing the burner orifices. If this adjustment is necessary, contact the distributor who sold the dryer or contact the factory.

NOTE: Any burner changes **must be** made by a qualified technician.

C. OPERATIONAL SERVICE CHECK PROCEDURE

After performing any service or maintenance function, an operational check **should be** performed to insure that **ALL** components are performing properly.

1. Make a complete operational check of **ALL** the operating controls to insure that the timing is correct, temperature selection switches are functioning properly.
2. Make a complete operational check of **ALL** safety related circuits, door switches, hi-limit thermostat, sail switch, cycling thermostats, etc.

SECTION V

COMPONENT DESCRIPTION/REPLACEMENT

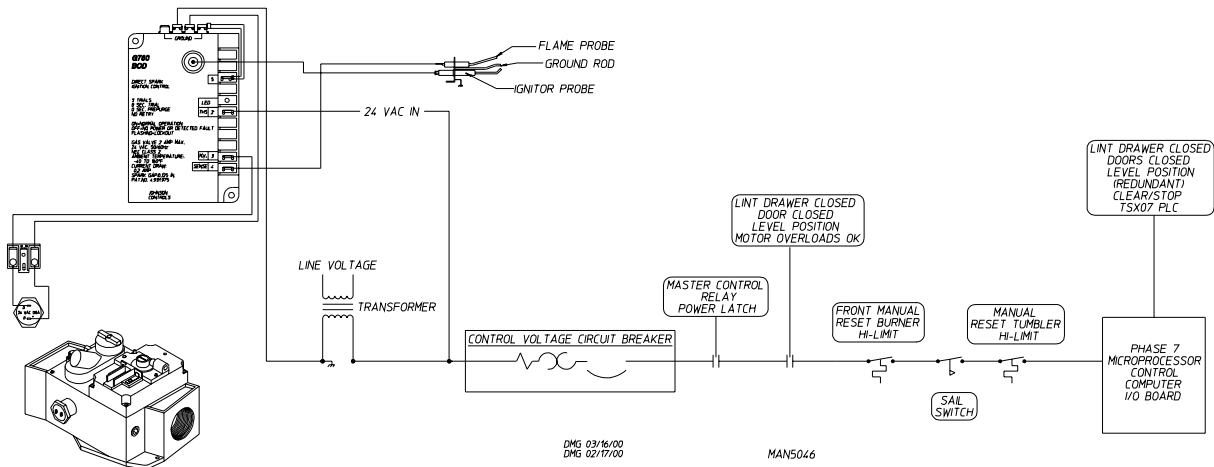
A. HEAT SECTION

The AD-200 dryer uses three (3) types of heat sources: natural gas, liquid propane (L.P.) gas, and steam. Natural gas and L.P. gas are not directly replaceable. The gas valves need to be modified to use other than the type of heat specified on the nameplate.

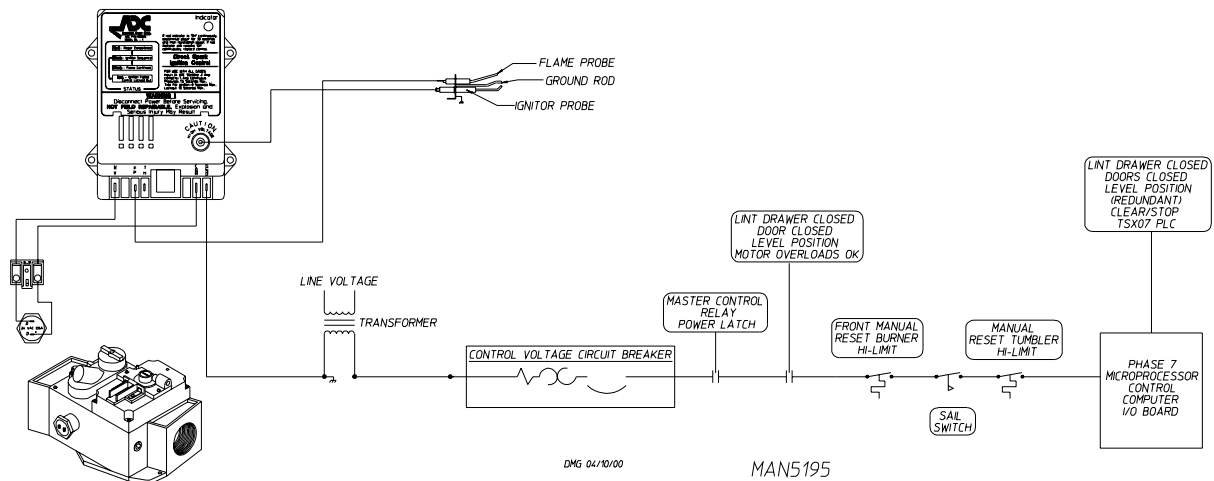
- ADG-200 (gas) dryers utilize a Direct Spark Ignition (DSI) module to monitor that a flame is established. If for some reason the flame signal is lost, the DSI module will shut off the gas valve and not retry ignition (no try to restart the flame). *A spark of approximately 14,000 volts is used to establish a flame.* The DSI module will turn the gas valve on and ignitor/flame-probe will spark for 8-seconds attempting a flame. Each time the dryer calls for heat the microprocessor controller (computer) will send a 24 VAC signal through the exhaust hi-limit, sail switch, and oven hi-limit. At that point, the DSI module will try for ignition.

DIRECT SPARK IGNITION (DSI) SYSTEM COMPONENTS/FUNCTIONS

Johnson (DSI) Control Module P/N 128935



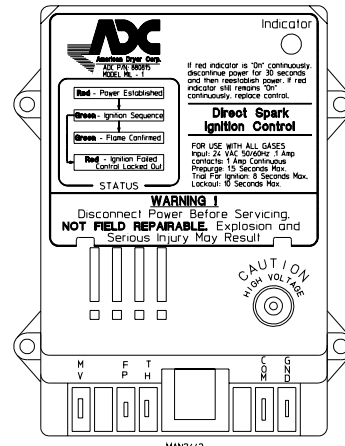
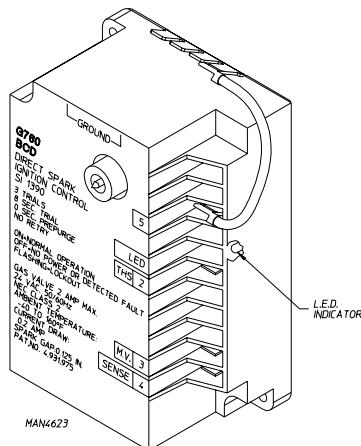
ADC (DSI) Control Module P/N 128973



Johnson (DSI) Control Module
P/N 128935

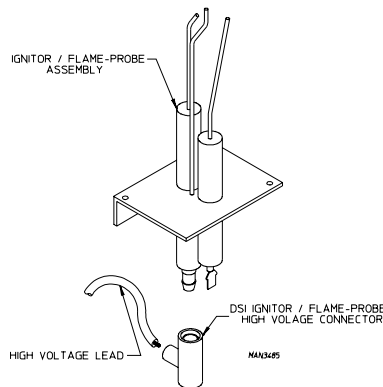
ADC (DSI) Control Module
P/N 128973

- a. The Direct Spark Ignition (DSI) Module is a 24 VAC device designed to be the “controller” of the DSI system. When activated by the dryer controls, this module constantly monitors and controls the functions of the DSI system (i.e., spark activation, gas valve off and on, flame verification, etc.). Additionally, the DSI Module has self diagnostic capabilities.



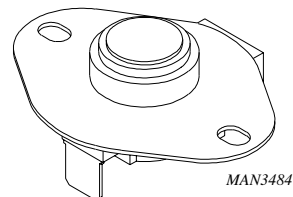
24 VAC Direct Spark Ignition (DSI) Module

- b. The Ignitor/Flame-Probe Assembly is located in the burner flame area and is used to ignite the gas by use of a high voltage spark (approximately 14,000 volts) and to provide feedback information to the DSI Module as to whether the burner flame is evident (on).



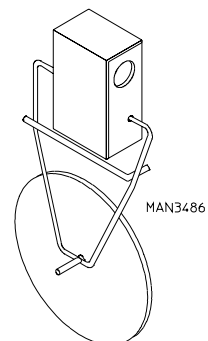
Ignitor/Flame-Probe Assembly

- c. The Manual Reset Burner Hi-Limit Switch is a thermostat type switch located in the burner. Its function is to discontinue heat (flame) in the event of an over temperature situation (above 330° F [166° C]). For dryers manufactured as of May 26, 1998, the hi-limit **must be** manually reset once the device trips.



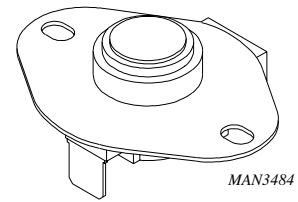
330° F (166° C) Thermostat

- d. The Sail Switch Assembly is located on the Burner Assembly, downstream of the flame tubes. Its function is to detect whether or not there is sufficient airflow through the dryer.



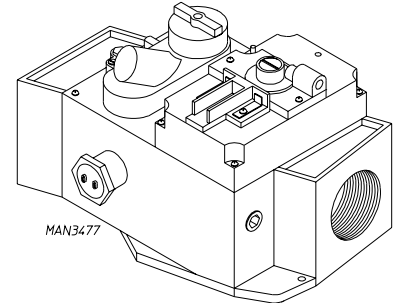
Sail Switch Assembly

- e. The Manual Reset Tumbler (Basket) Hi-Limit Switch is a thermostat type switch located above the Lint Basket. Its function is to discontinue heat (flame) in the event of an over temperature situation (above 225° F [107° C]).



225° F (107° C) Thermostat

- f. The gas valve used in the ADG-200 is of the redundant type which means that the gas valve is actually two (2) gas valves in one; one (1) in series with the other. This is a safety feature which provides protection against gas flow in the event that one (1) of the valves does not seat properly. The valve also regulates the incoming gas pressure.



Redundant Gas Valve

NOTE: THE DSI GAS VALVES ARE NOT FIELD REPAIRABLE.

- g. Normal Operation of the Direct Spark Ignition (DSI) System (refer to the **illustration** on **page 17**).
- 1) The DSI System consists of a microprocessor-based control module, along with an Ignitor/Flame-Probe Assembly. This control utilizes a high voltage synchronous spark ignitor and a rectified flame sensor probe signal to locally control **ALL** basic functions in the gas burner.

On a call for heat by the dryers' controls, 24 VAC is applied to the DSI module at which time the modules' L.E.D. (light emitting diode) indicator will light "red" indicating that power has been established to the module. Almost immediately (up to approximately 1.5-seconds [prepurge]) the indicator will light "green," the gas valve opens and the spark burst will be evident (on) for approximately 8-seconds. The burner flame **should now be** established/confirmed.

If at this time the flame has not been established and confirmed, the DSI module will "LOCKOUT" and the modules' L.E.D. indicator will light "red" and stay on continuously. "Burner Ignition Control Fault" will display. To clear this fault press the "CLEAR/STOP" key.

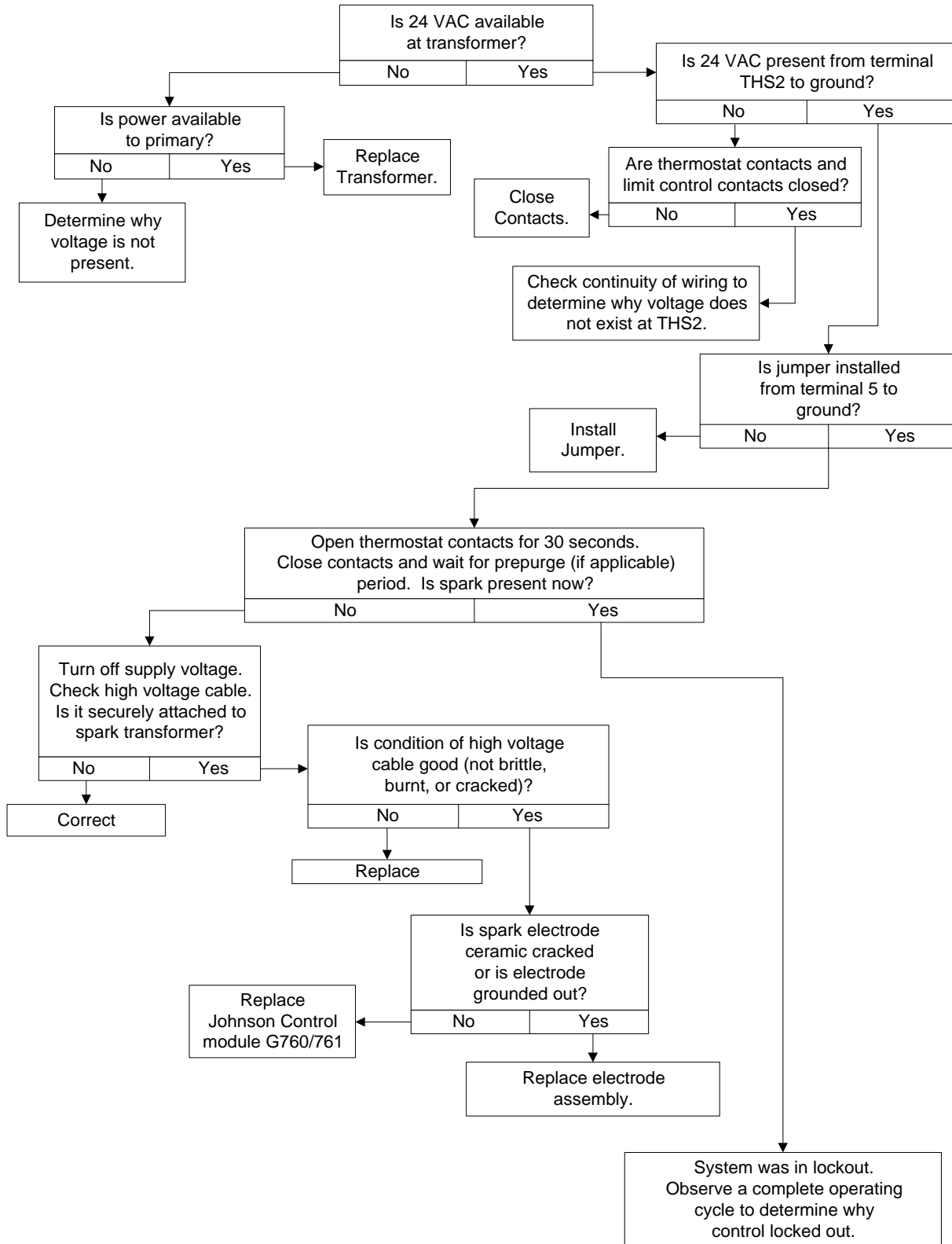
Once the burner flame is established and confirmed, the DSI module indicator will light "green," and the burner system will continue through a normal heating cycle, where the DSI system will cycle on and off as required by the dryers controls.

During the normal heating cycle, should a "FLAME-OUT" occur (i.e., severe air turbulence forces the flame away from the Ignitor/Flame-Probe Assembly), the DSI module will shut the gas valve off and immediately try to reestablish the burner flame. ***The DSI module will attempt to light the burner ONLY ONCE.*** If flame is not established, the DSI module will "LOCKOUT" and "Burner Ignition Control Fault" will display. To clear this fault press the "CLEAR/STOP" key.

h. Troubleshooting Flow Chart - Quick Reference...

First Visual Check

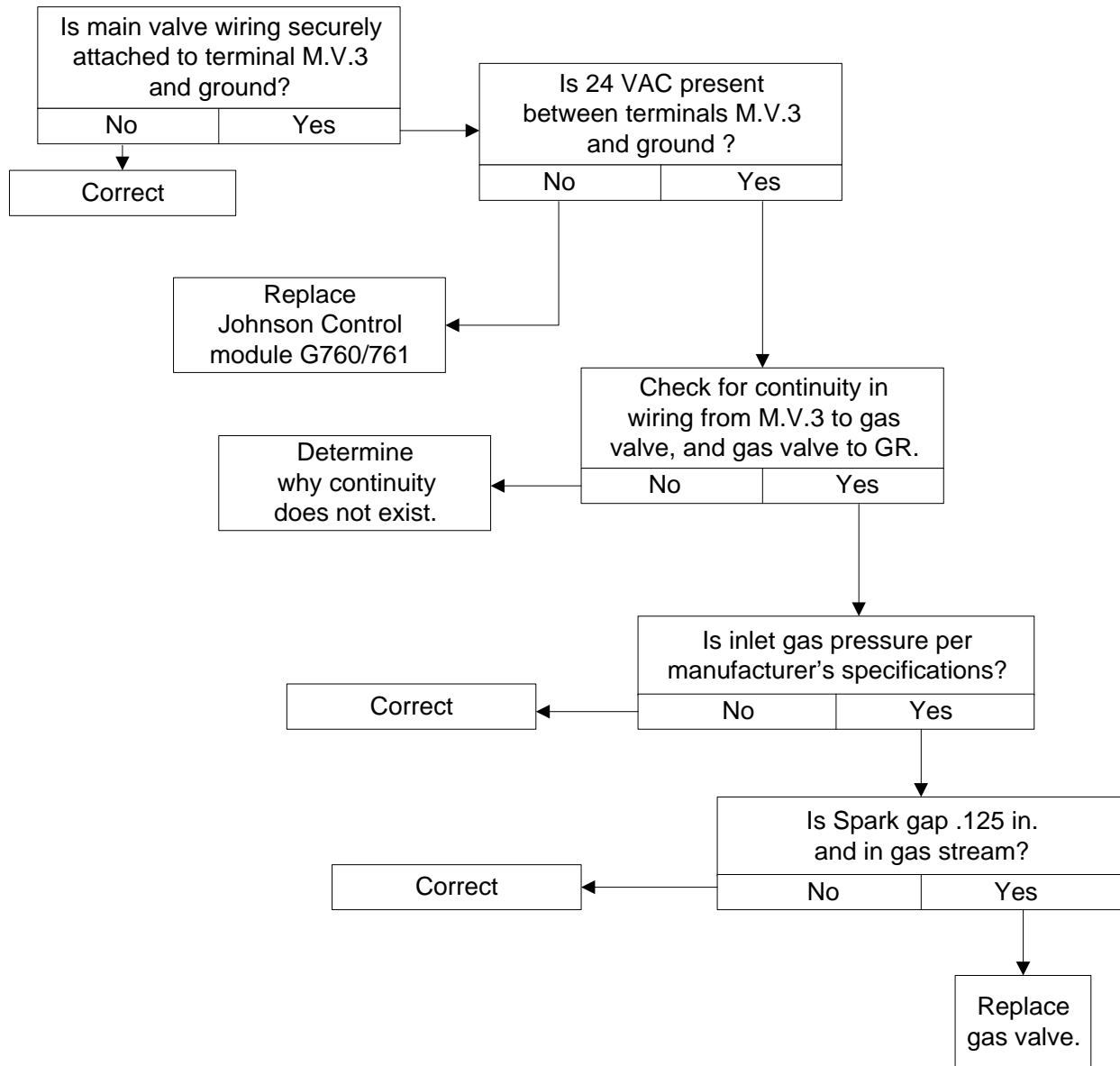
No Spark And System Does Not Work



i. Troubleshooting Flow Chart - Quick Reference...

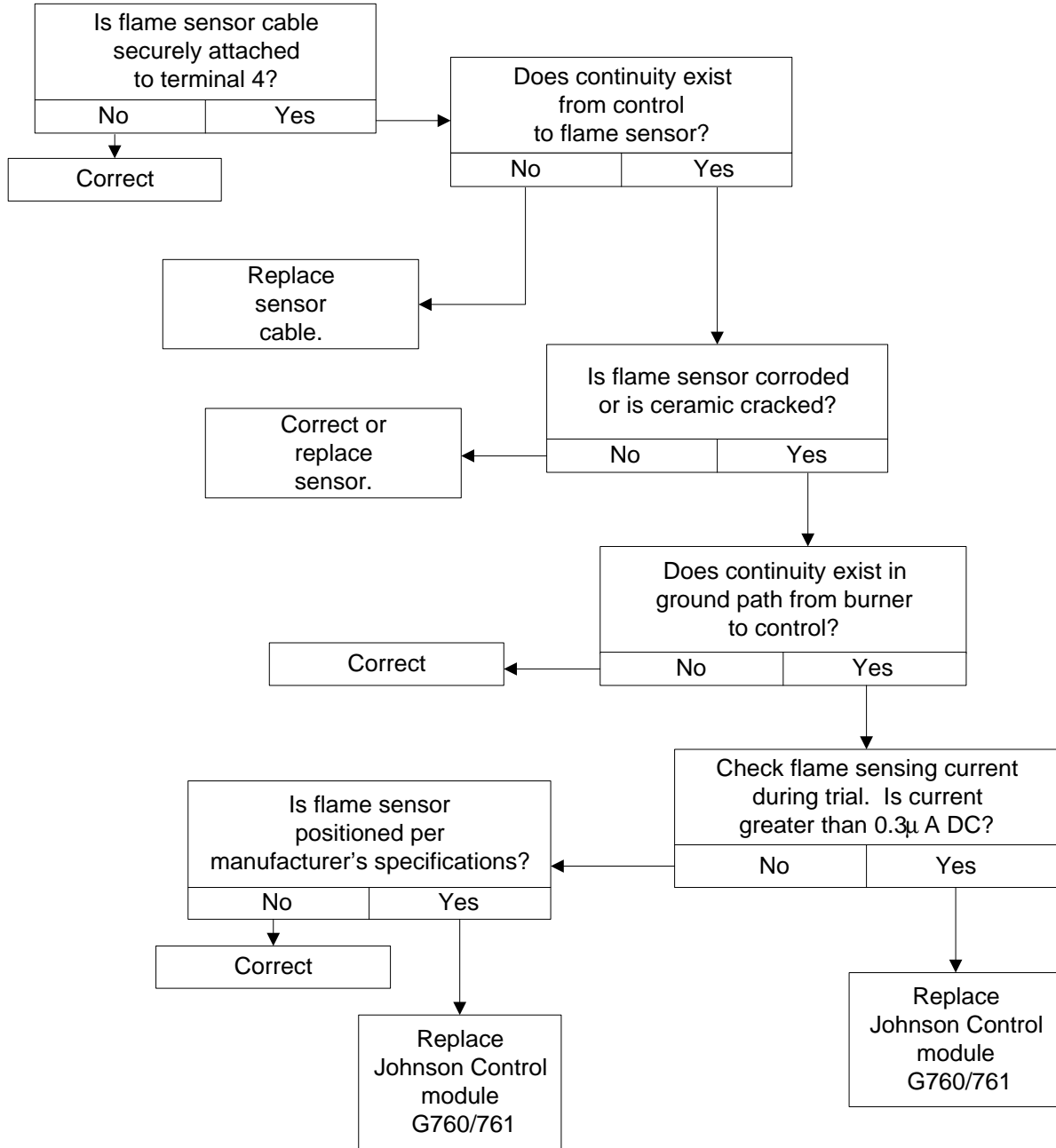
Second Visual Check

Spark Present But Main Burner Does Not Come On*



Third Visual Check

Main Burner Lights But Will Not Stay On

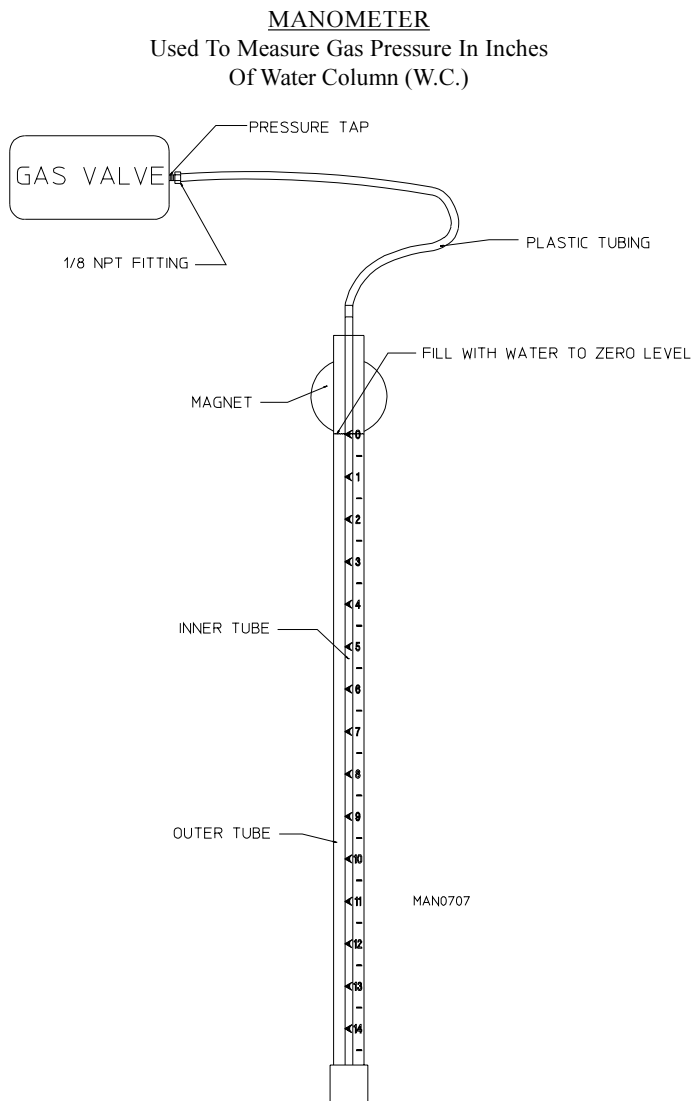


B. TROUBLESHOOTING THE DIRECT SPARK IGNITION (DSI) SYSTEM

NOTE: The troubleshooting information provided in this manual is intended for use by qualified service technicians only. **OBSERVE ALL SAFETY PRECAUTIONS** displayed on the equipment or specified in the AD-200 Phase 7 Tilting Installation/Operator's Manual (ADC Part No. 113109) included with the dryer.

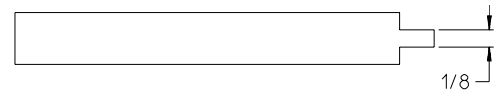
IMPORTANT: UNDER NO CIRCUMSTANCES SHOULD ANY SAFETY or HEAT CIRCUIT DEVICES EVER BE DISABLED.

THE FOLLOWING PIECES OF TEST EQUIPMENT WILL BE REQUIRED TO TROUBLESHOOT THIS SYSTEM WITH MINIMAL TIME AND EFFORT



Available From ADC

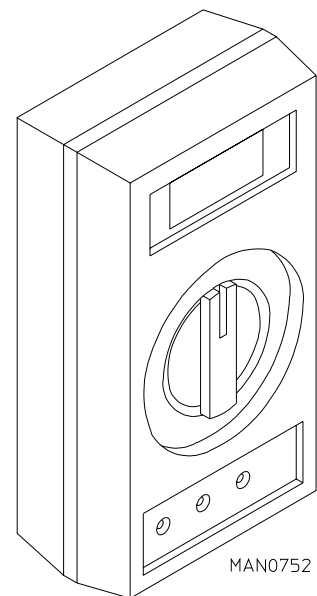
DSI IGNITOR GAP FEELER GAUGE
(1/8" [3.175 mm])
Used For Checking Gap Between Ignitor/
Flame-Probe Assembly and Spark Electrode



MAN0751

Available From ADC

MULTIMETER/VOLTMETER
For Measuring Voltage



1. Direct Spark Ignition (DSI) Troubleshooting Terms (definitions) ADC (DSI) Control Module P/N 128973

- a. DSI MODULE “RED” L.E.D. INDICATOR LIGHT - This “red” L.E.D. (light emitting diode) light is located in the upper right corner of the DSI module (refer to the **top illustration on page 18**). This is a *diagnostic indicator* that simplifies the operational and troubleshooting procedures of the DSI system.
- b. LOCKOUT MODE - DSI module “red” L.E.D. indicator light stays on continuously. This indicates there is a system fault and most likely the fault is the DSI module itself.
- c. FLAME-OUT - Burner flame shut down by the DSI module due to lack of flame verification. This condition occurs only after ignition is evident but is lost. The DSI system will immediately attempt to relight the burner.
- d. RECYCLE - Flame has been sensed but lost. Initiate a new sequence (**THERE ARE NO RETRIES**).

2. Troubleshooting and System Basic Diagnosis ADC (DSI) Control Module P/N 128973

a. Preliminary Steps

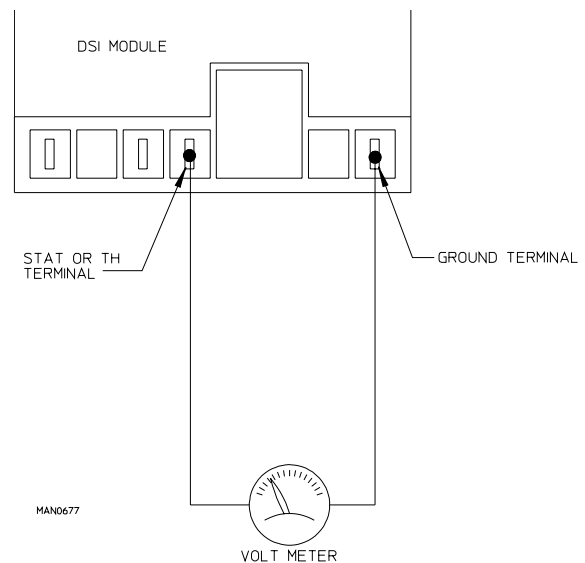
The following steps **must be** performed to minimize the time required to isolate cause of fault.

- 1) DSI module L.E.D. indicator light is off (no “red” or “green” light).
 - a) Check for voltage (approximately 24 VAC) across the DSI model terminals “TH” and “GND”...

If voltage (approximately 24 VAC) is evident, then, there is a malfunction within the DSI module itself, and it **must be** replaced.

If there is no voltage present, then problem is not the DSI module or the ignition system, the problem is elsewhere in the dryer (i.e., dryer’s heat circuit [sail switch, hi-limit circuits, etc.]).

- 2) DSI module L.E.D. indicator lights “red” for approximately 1.5-seconds (prepurge). This indicates that **ALL** the controls (including **ALL** the safety circuits) are functioning and power is being supplied to the DSI module.
- 3) DSI module L.E.D. indicator lights “green.” This indicates a normal heating cycle. This also indicates that the preliminary diagnostics of the module has confirmed that the DSI module is functional.
- 4) DSI module L.E.D. indicator lights “red” continuously...“LOCKOUT MODE.” This indicates that there is a system fault and most likely the fault is internal to the DSI module. To make sure, open and close the main door. Restart the dryer...if the module LOCKS OUT (“red” L.E.D. indicator light stays on continuously) again, replace the DSI module.



If the dryer repeatedly has DSI module “LOCKOUT” failures, the cause may be due to high voltage not getting into the DSI module ignitor probe assembly.

- 5) *Check to insure that the red high voltage wire (between the ignitor spark electrode and the DSI module) **is not wrapped around the sensor probe wire** (the wire between the DSI module FP terminal and the Ignitor/Flame-Probe Assembly). *If the wires are touching one another, separated and secure in place **AWAY FROM ONE ANOTHER.****
- 6) Check to insure that the dryer is properly grounded and that the ground connections (GND) to the DSI module are secure.
- 7) If the problem persists, it is most likely to be in the external components (not the DSI module), or wiring, due to a “FLAME-OUT”...proceed as follows:

NOTE: Preliminary steps - ***DO NOT OMIT*** - to minimize the time required to troubleshoot this system.

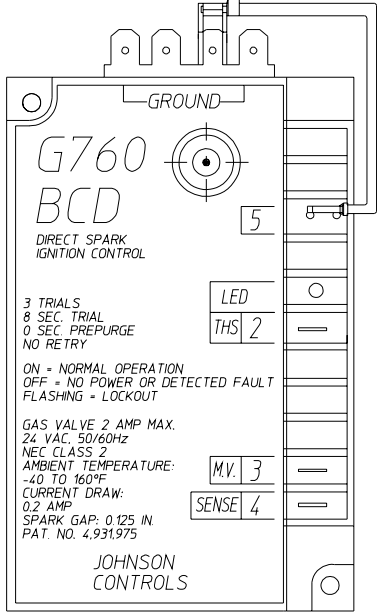
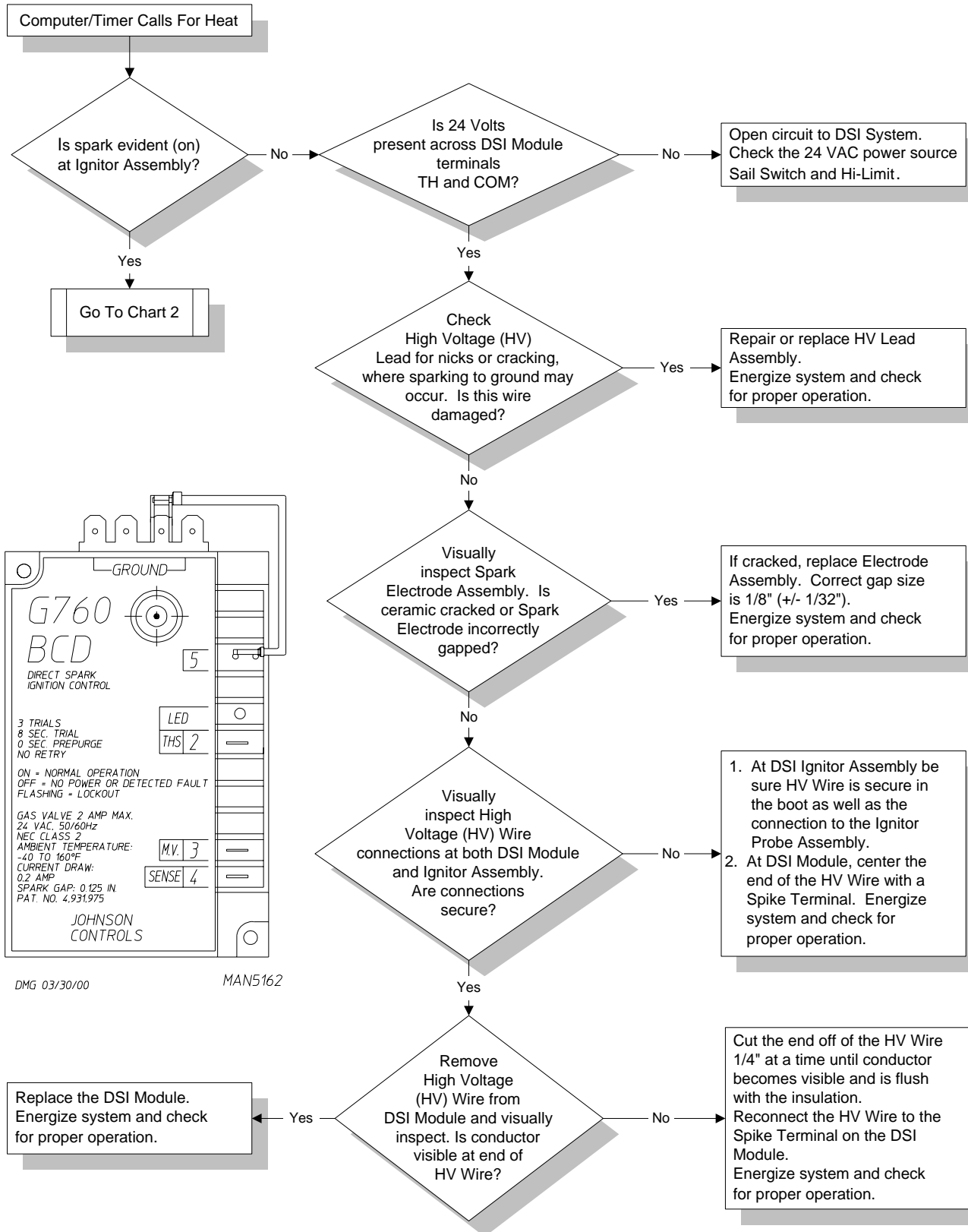
- a) Disconnect the electrical power to the dryer.
- b) Visually check the DSI module components for visual damage.
- c) Check wiring for loose connections, nicks, or cracking at the ceramic insulator, or shorting of the sensor to the burner.
- d) Inspect the DSI Ignitor/Flame-Probe Assembly...
 - ...check electrode for visible cracking at the ceramic insulator or shorting of sensor to burner
 - ...check to insure that the flame sensor rod is positioned over the flame area
 - ...check for carbon deposits on the flame sensor rod
 - ...check to insure that there is a 1/8” (3.175 mm) +/- 1/32” (+/- 0.79248 mm) gap between the ground rod and the ignitor spark electrode
- b. After performing these inspections and making corrections - if any - restore power to the dryer...start the dryer and operate through one (1) complete cycle to insure that **ALL** components are functioning properly. If a no heat condition persists refer to the **Troubleshooting Flow Charts** on **page 27, page 28, and page 29.**
 - 1) To effectively use this information or the flow charts, each step **must be** completed in sequence, performing whatever test are suggested. After the completion of each test, the guide will direct the Service Technician to the next logical step in the troubleshoot sequence based on the outcome of the previous check.
 - 2) Components **should be** replaced *only* after each step has been completed and replacements after each step has been completed and replacement is suggested in the flow chart. However, the experienced technician realizes that a loose connection or broken or shorted wire may be at fault where electrical components are concerned...and not necessarily the suspected component itself.

c. Three Visual Checks

- 1) Does the DSI Ignitor/Flame-Probe Assembly start sparking?
If not, refer to the **FIRST VISUAL CHECK** on **page 27**.
- 2) Does the main burner ignite?
If not, refer to the **SECOND VISUAL CHECK** on **page 28**.
- 3) Does the main burner remain lit after ignition has been established (“FLAME-OUT”)?
If not, refer to the **THIRD VISUAL CHECK** on **page 29**.

d. Troubleshooting Flow Chart - Quick Reference...

First Visual Check (Does Ignitor Spark?)



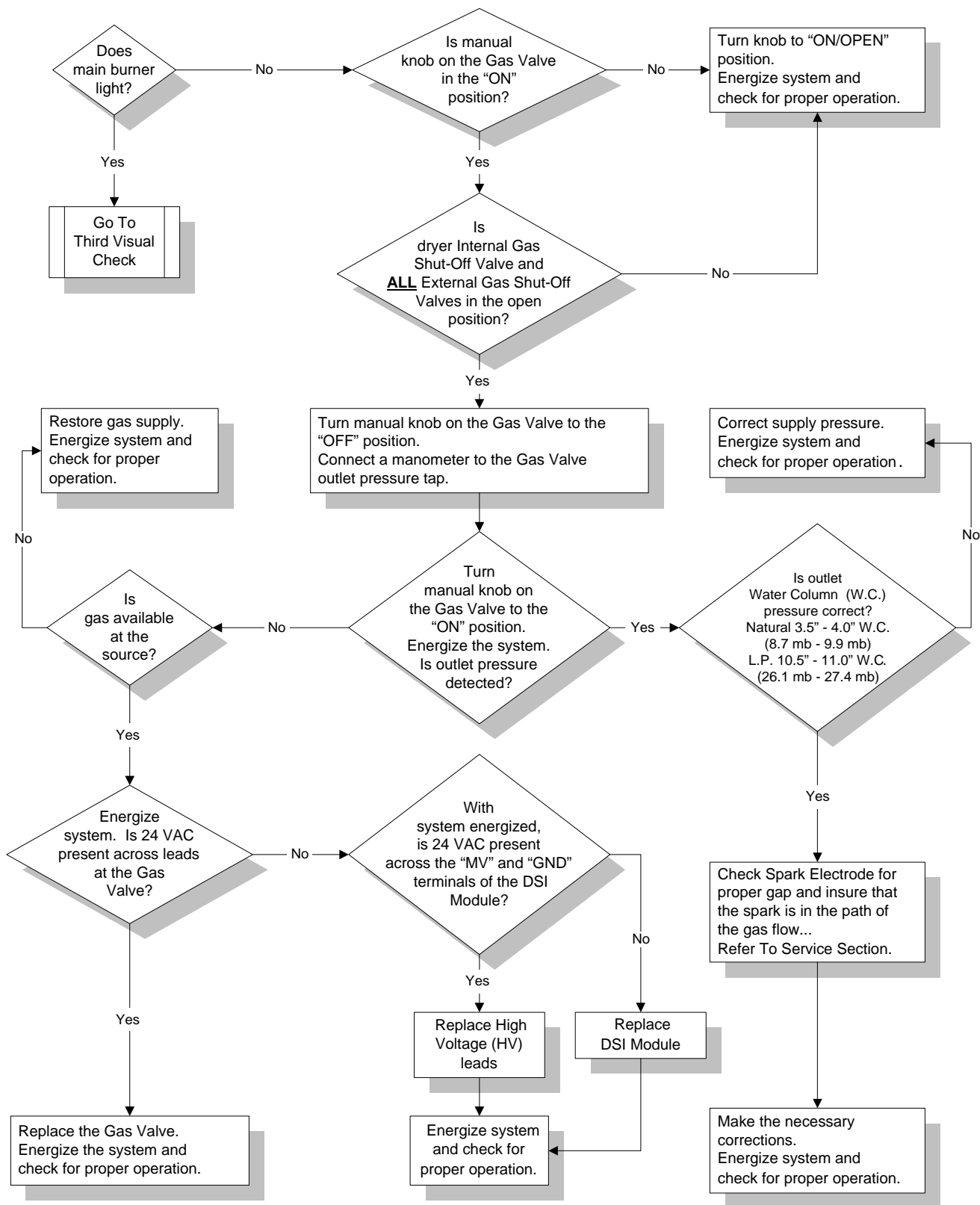
DMG 03/30/00

MAN5162

e. Troubleshooting Flow Chart - Quick Reference...

Second Visual Check

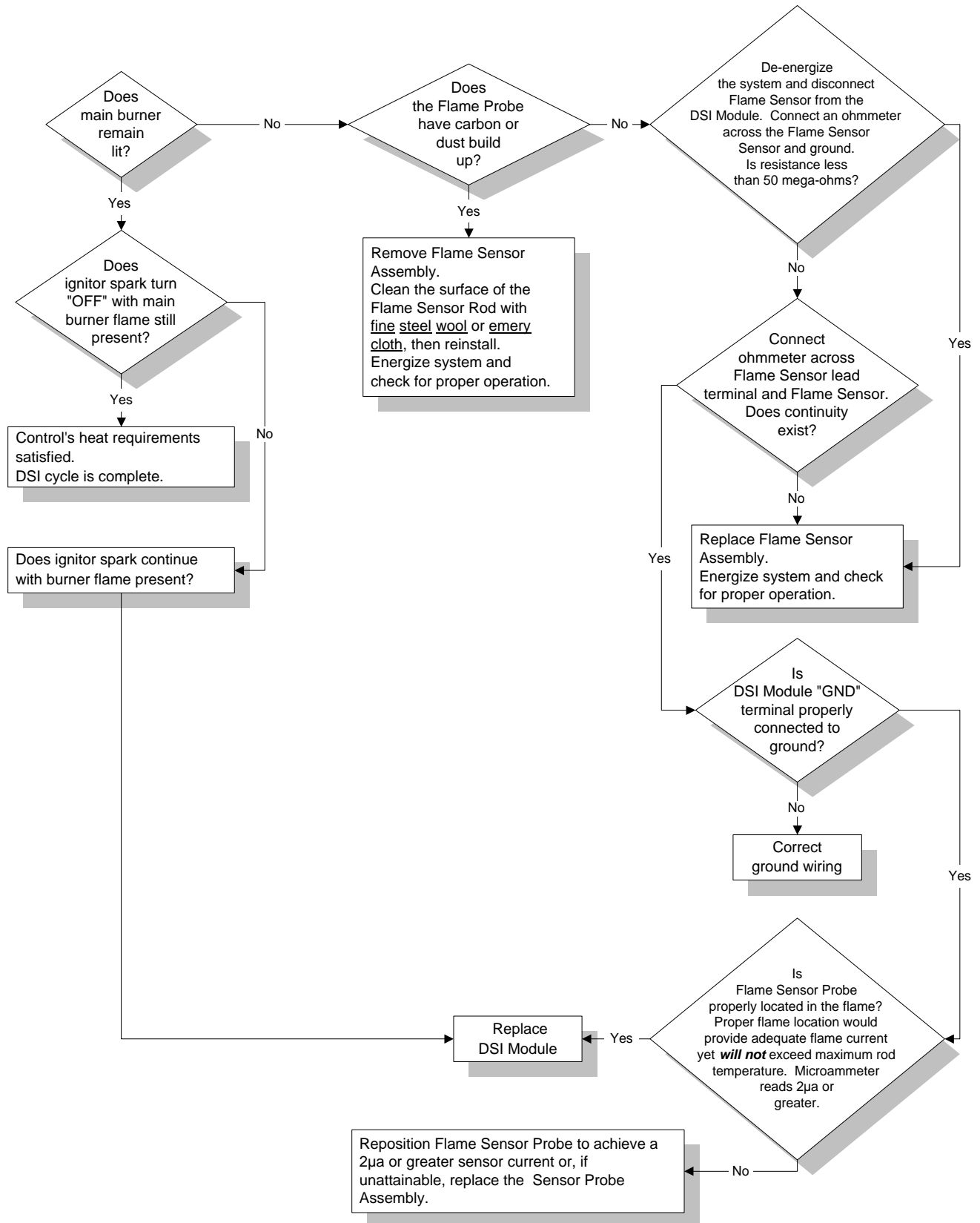
(Does Main Burner Ignite?)



f. Troubleshooting Flow Chart - Quick Reference...

Third Visual Check

(Does Main Burner Ignite?)



3. Troubleshooting and System Detailed Diagnosis For Johnson Direct Spark Ignition Module P/N 128935

When the dryer calls for heat, 24 VAC from the step down transformer is applied to the “TH” and “GND” terminals of the DSI module. The DSI module L.E.D. (light emitting diode) indicator will LIGHT “GREEN.” The gas valve will be energized, and the spark burst will be evident (on) for approximately 8-seconds at the tip of the electrode flame-probe assembly. Flame **should now be** established and confirmed. If a flame is not sensed and confirmed by the ignitor/flame-probe sensor after the approximate 8-second spark burst, the DSI module will wait 30-seconds and start **ALL** over again.

If a flame has been established and confirmed and then lost, the DSI module L.E.D. indicator will continue to LIGHT “GREEN,” wait 30-seconds and try again. The flame **should now be** established and confirmed. If a flame is not sensed and confirmed by the ignitor/flame-probe sensor after the initial try, the module will try two (2) more times, then if flame is still not established it will go into LOCKOUT mode (the L.E.D. [light emitting diode] will BLINK “GREEN” CONTINUOUSLY).

a. System Diagnosis

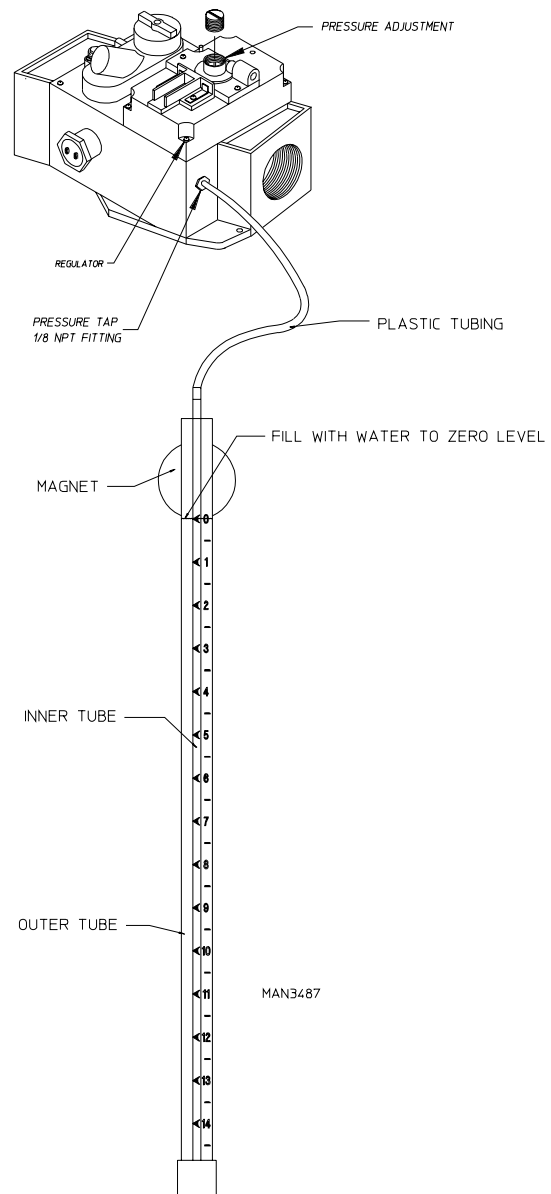
1) Gas Pressure

A gas pressure test **should be** taken at the gas valve pressure tap provided on every gas valve to assure that the water column (W.C.) pressure is correct and consistent.

There are two (2) types of devices commonly used to measure water column (W.C.) pressure. They are the spring and mechanical type gauge and the water column test gauge (manometers). The use of the spring and mechanical type gauges is not recommended because they are not always accurate. The preferred type of gauge is the manometer because it is a simple device to use and is highly accurate. A manometer is simply a glass or transparent plastic tube with a scale graduated in inches. When it is filled with water and pressure is applied, the water in the inner tube lowers, showing the exact water column (W.C.) pressure in inches.

WARNING: Test **ALL** connections for leaks by brushing on a soapy water solution.

WARNING: NEVER TEST FOR LEAKS WITH A FLAME!!!



- a) Connect the water column test gauge (manometer) to the gas valve pressure tap (1/8" N.P.T.). Refer to the **illustration** on previous page ([page 30](#)).
- b) Start the dryer...with the burner on, the correct water column pressure (W.C.) reading in inches **should be:**

Natural Gas ----- 3.5 inches W.C. (8.7 mb).
 L.P. (liquid propane) Gas -- 10.5 inches W.C. (26.1 mb).

When a gas dryer is first started (during initial time of installation or start-up), it has a tendency not to ignite on the first ignition attempt. This is due to the fact that the gas supply piping is filled with air, so it may take a few minutes for the air to be purged from the supply lines. During this purge period there may be insufficient gas pressure for ignition, which might cause the DSI module to go into the "LOCKOUT" mode (the L.E.D. [light emitting diode] will BLINK "GREEN" CONTINUOUSLY).

NOTE: During the purge period, check to be sure that ALL shut-off valves are open.

NOTE: To reset the DSI module if it is in the "LOCKOUT" mode, "Burner Control Fault" will display. To clear this fault press the "CLEAR/STOP" key.

- c) If gas pressure is low, unscrew slotted regulator cover on top of the gas valve and turn regulator (pressure) adjustment screw (located underneath the cover) clockwise (CW) to increase the pressure.

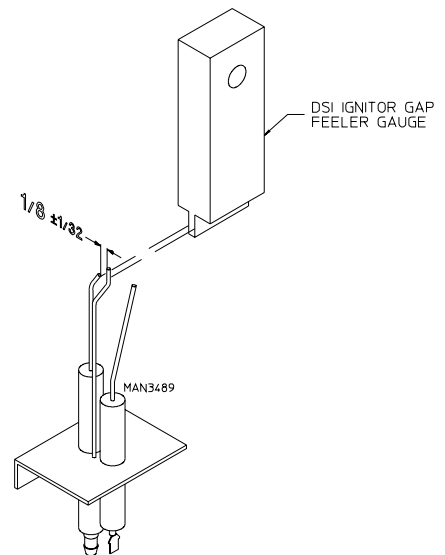
2) Ignitor/Flame-Probe Assembly

The Ignitor/Flame-Probe Assembly consists of a ceramic insulated ignitor electrode, a ground rod, and a ceramic insulated flame-probe electrode. ***The GAP between the ignitor electrode and the ground rod is set, and must be maintained at 1/8" (3.175 mm) +/- 1/32" (+/- 0.79248 mm).*** When the DSI (Direct Spark Ignition) module provides the high synchronous spark (14,000 volts) through the high voltage (HV) lead, a spark is produced over the GAP. When this spark is produced, the gas valve is opened. Upon ignition, the flame-probe electrode (of the Ignitor/Flame-Probe Assembly) has high voltage provided to it that supplies a small current to ground through the flame. Once the current is sensed, it initializes the DSI module to sustain the gas flow (from the gas valve).

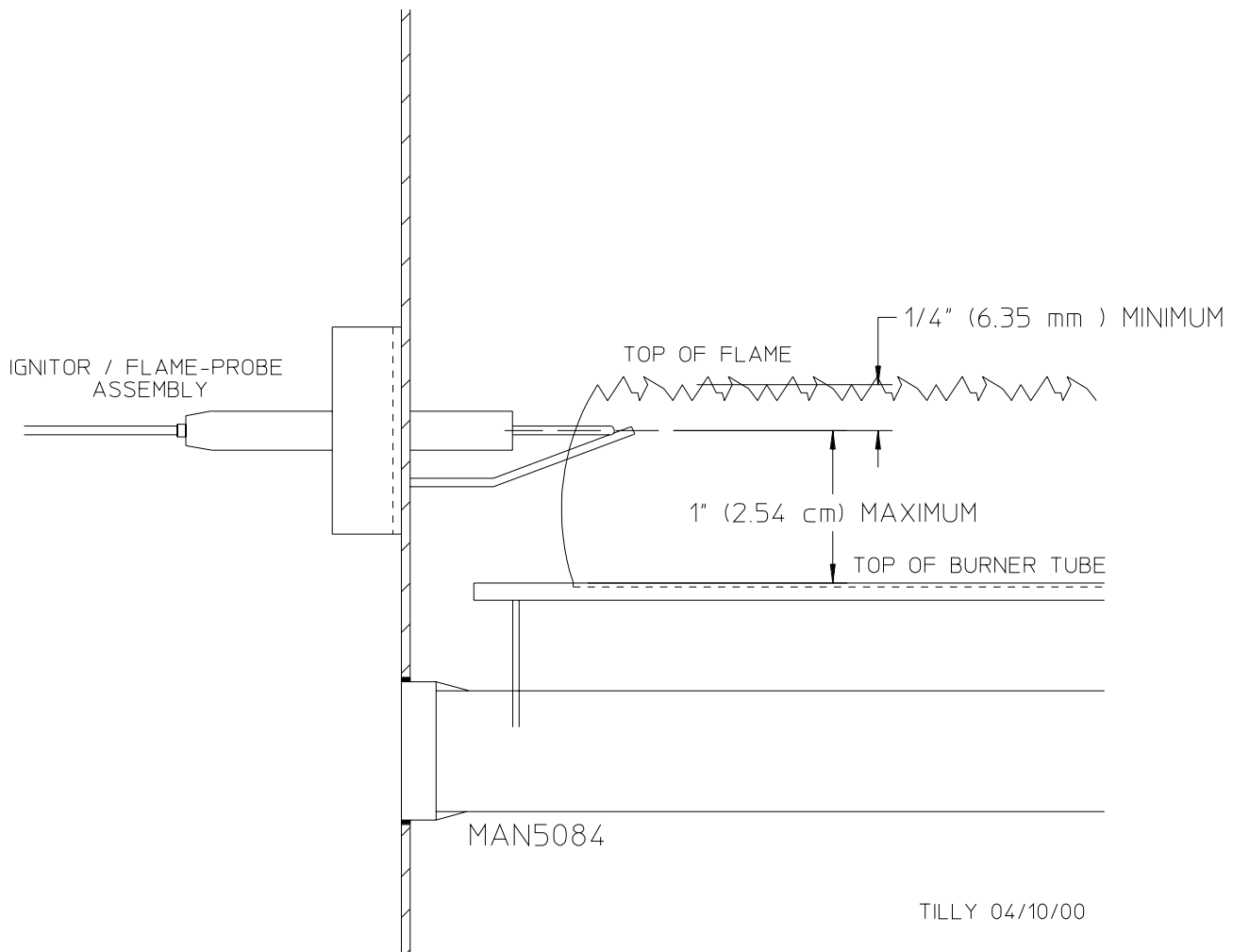
IMPORTANT: THE GAP SETTING ON THE IGNITOR/FLAME-PROBE ASSEMBLY IS CRITICAL.

a) DSI Ignitor/Flame-Probe Assembly Adjustments

- (1) The GAP ***on the Ignitor/Flame-Probe Assembly must be set, and held at 1/8" (3.175 mm) +/- 1/32" (+/- 0.79248 mm).*** If this GAP is **not** maintained (if the GAP is either too large or too small), the DSI module will indicate a system malfunction and go into the "LOCKOUT" mode (the L.E.D. will BLINK "GREEN" CONTINUOUSLY).



- (a) To check and/or set the 1/8" (3.175 mm) GAP, use a DSI (Direct Spark Ignition) Gap Feeler Gauge or similar device to determine GAP size. **DO NOT USE FEELER TO SET THE GAP, USE IT ONLY TO DETERMINE THE SIZE OF THE GAP.** If an adjustment is necessary, bend the ground rod to achieve the correct GAP, then recheck the 1/8" (3.175 mm) GAP with a feeler gauge.
- (b) The ALIGNMENT of the Ignitor/Flame-Probe Assembly in relation to the GAP on the ignitor electrode and ground rod **must be** maintained in as vertical (straight line) a position as possible (refer to the **illustration** below) otherwise the DSI module will indicate a system malfunction and go into the "LOCKOUT" mode (the L.E.D. [light emitting diode] indicator will BLINK "GREEN" CONTINUOUSLY).
- (c) The POSITIONING of the Ignitor/Flame-Probe Assembly is **extremely important** because it provides the necessary feedback information to the DSI module. The flame-probe electrode **must be** POSITIONED 1/4" (6.35 mm) minimum into the flame path (refer to the **illustration** below) and **must be** POSITIONED 1-inch (2.54 cm) maximum from the burner tube (refer to the **illustration** below) otherwise the DSI module will indicate a system malfunction and go into the "LOCKOUT" mode (the L.E.D. indicator will BLINK "GREEN" CONTINUOUSLY).



NOTE: To reset the DSI module if it is in the "LOCKOUT" mode, "Burner Control Fault" will display. To clear this fault press the "CLEAR/STOP" key.

3) Air Turbulence

If there is sail switch flutter due to air turbulence or improper impellor (fan/blower) rotation or a restriction in the exhaust duct work, the DSI (Direct Spark Ignition) module will cycle erratically. This in turn might cause the DSI module to “LOCKOUT” (where the L.E.D. indicator will BLINK “GREEN” CONTINUOUSLY).

- a) If air turbulence cause the flame to move away from the flame-probe electrode (of the Ignitor/Flame-Probe Assembly), or if the flame goes out completely during the heat (flame) cycle, the DSI module will attempt to reestablish a flame by going into a re-ignition cycle.

4) Direct Spark Ignition (DSI) Module

If there is some sort of *operational interference* in the DSI system, the DSI module (acting as the “controller” for the system) will go into a “LOCKOUT” mode (where the L.E.D. [light emitting diode] indicator will FLASH “GREEN” CONTINUOUSLY).

- a) *Operational interference* is any adverse condition (whether internal or external) to the system. (Electrical noise is considered *external noise interference* because it can cause the DSI module to cycle erratically.)

NOTE: To reset the DSI module if it is in the “LOCKOUT” mode, “Burner Control Fault” will display. To clear this fault press the “CLEAR/STOP” key.

If the GAP, the ALIGNMENT, and the POSITION of the Ignitor/Flame-Probe Assembly are correct, if the gas flow and pressure is constant and consistent; if there is no adverse air turbulence; and if the DSI module remains in the “LOCKOUT” mode (where the L.E.D. indicator will FLASH “GREEN” CONTINUOUSLY) then, there is a malfunction with the DSI module itself, and it **must be** replaced.

NOTE: To reset the DSI module if it is in the “LOCKOUT” mode, “Ignitor Control Fault” will display. To clear this fault press the “CLEAR/STOP” key.

5) Wiring

If the DSI module is in the “LOCKOUT” mode (where the L.E.D. indicator will FLASH “GREEN” CONTINUOUSLY), and the mechanical components have been checked (i.e., the Ignitor/Flame-Probe Assembly, the gas valve, etc.), then, there may be a problem somewhere in the DSI system wiring.

- a) Check **ALL** the wiring within the DSI system, especially the ground connections at the DSI module and the Ignitor/Flame-Probe Assembly.

NOTE: Check for any possible damage to the ceramic insulators on the ignitor electrode and the flame-probe electrode of the Ignitor/Flame-Probe Assembly.

- b) Make sure the flame-probe electrode of the Ignitor/Flame-Probe Assembly is positioned no more than 1-inch (2.54 cm) maximum from the burner tube.

CAUTION: *DO NOT* LET THE IGNITOR/FLAME-PROBE ASSEMBLY TOUCH THE BURNER TUBES; OTHERWISE THE ENTIRE ASSEMBLY WILL SHORT OUT.

6) Direct Spark Ignition (DSI) 24 VAC Transformer

The DSI transformer is designed to step down the operating voltage of the dryer to 24 VAC. This operates the DSI module. This transformer, like ALL transformers is two (2) sided;

a) Primary Side...

This is the incoming voltage side - 208 VAC, 230/240 VAC, 380 VAC, 416 VAC, 480 VAC - of the transformer.

b) Secondary Side...

This is the step down side - 24 VAC - of the transformer. (If the dryer is above 240 VAC a secondary voltage of 240 VAC will also be present.)

WARNING: 208 VAC and 230/240 VAC ARE NOT THE SAME. ALL voltage connections *should be* checked and confirmed according to the foil data label provided with the individual dryer. Any damage done to dryer components due to improper voltage connections will automatically VOID THE WARRANTY.

IMPORTANT: The ADC Service Department *must be* contacted prior to any wiring change or conversion because, depending on the change or conversion required, some parts may have to be added, deleted, or changed. When contacting the ADC Service Department, they *must be* given the correct model number and serial number for the dryers.

NOTE: Any wiring changes or conversions *should be* accomplished by a QUALIFIED ELECTRICAL TECHNICIAN.

3. Troubleshooting and System Detailed Diagnosis For ADC Direct Spark Ignition Module P/N 128973

When the dryer calls for heat, 24 VAC from the step down transformer is applied to the “TH” and “GND” terminals of the DSI module. The DSI module L.E.D. (light emitting diode) indicator will LIGHT “RED” (for up to approximately 1.5-seconds [prepurge]) then the L.E.D. indicator will LIGHT “GREEN”; the gas valve will be energized, and the spark burst will be evident (on) for approximately 8-seconds at the tip of the electrode flame-probe assembly. Flame **should now be** established and confirmed. If a flame is not sensed and confirmed by the ignitor/flame-probe sensor after the approximate 8-second spark burst, the DSI module will go into the “LOCKOUT” mode and the L.E.D. will LIGHT “RED” CONTINUOUSLY. **THERE ARE NO RETRIES.** “Burner Ignition Control Fault” will display. To clear this fault press the “CLEAR/STOP” key.

If a flame has been established and confirmed and then lost, the DSI module L.E.D. indicator will continue to LIGHT “GREEN” and immediately a spark will be evident (on) for approximately 8-seconds. The flame **should now be** established and confirmed. If a flame is not sensed and confirmed by the ignitor/flame-probe sensor after the approximate 8-second spark burst, the DSI module will go into the “LOCKOUT” mode and the L.E.D. will LIGHT “RED” CONTINUOUSLY. **THERE ARE NO RETRIES.**

a. System Diagnosis

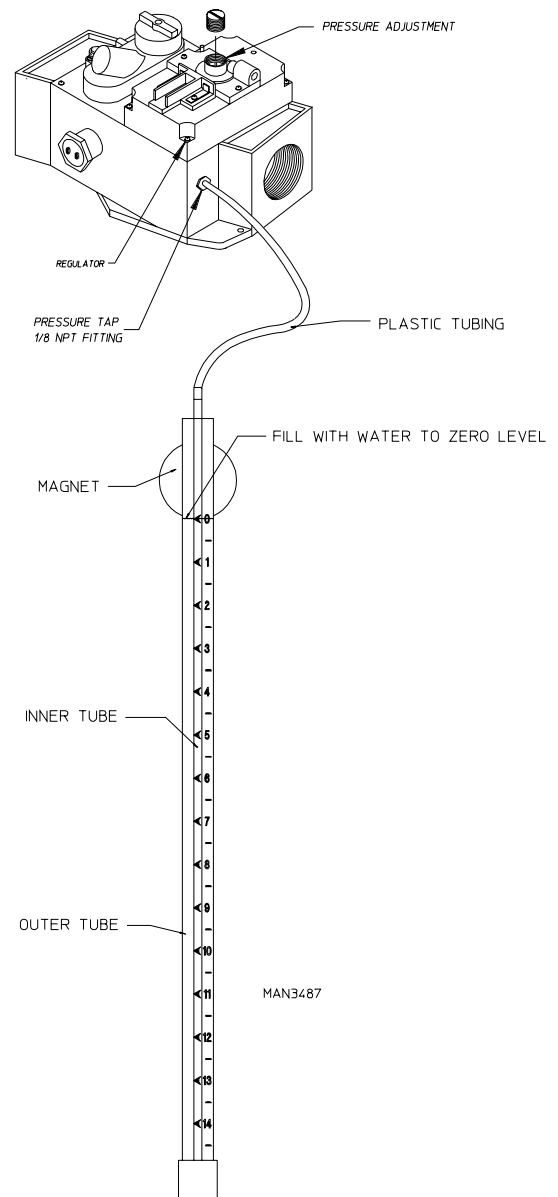
1) Gas Pressure

A gas pressure test **should be** taken at the gas valve pressure tap provided on every gas valve to assure that the water column (W.C.) pressure is correct and consistent.

There are two (2) types of devices commonly used to measure water column (W.C.) pressure. They are the spring and mechanical type gauge and the water column test gauge (manometers). The use of the spring and mechanical type gauges is not recommended because they are not always accurate. The preferred type of gauge is the manometer because it is a simple device to use and is highly accurate. A manometer is simply a glass or transparent plastic tube with a scale graduated in inches. When it is filled with water and pressure is applied, the water in the inner tube lowers, showing the exact water column (W.C.) pressure in inches.

WARNING: Test **ALL** connections for leaks by brushing on a soapy water solution.

WARNING: **NEVER TEST FOR LEAKS WITH A FLAME!!!**



- a) Connect the water column test gauge (manometer) to the gas valve pressure tap (1/8" N.P.T.). Refer to the **illustration** on previous page ([page 35](#)).
- b) Start the dryer...with the burner on, the correct water column pressure (W.C.) reading in inches **should be**:

Natural Gas ----- 3.5 inches W.C. (8.7 mb).
 L.P. (liquid propane) Gas -- 10.5 inches W.C. (26.1 mb).

When a gas dryer is first started (during initial time of installation or start-up), it has a tendency not to ignite on the first ignition attempt. This is due to the fact that the gas supply piping is filled with air, so it may take a few minutes for the air to be purged from the supply lines. During this purge period there may be insufficient gas pressure for ignition, which might cause the DSI module to go into the "LOCKOUT" mode (the L.E.D. [light emitting diode] will LIGHT "RED" CONTINUOUSLY).

NOTE: During the purge period, check to be sure that **ALL** shut-off valves are open.

NOTE: To reset the DSI module if it is in the "LOCKOUT" mode, "Burner Control Fault" will display. To clear this fault press the "CLEAR/STOP" key.

- c) If gas pressure is low, unscrew slotted regulator cover on top of the gas valve and turn regulator (pressure) adjustment screw (located underneath the cover) clockwise (CW) to increase the pressure.

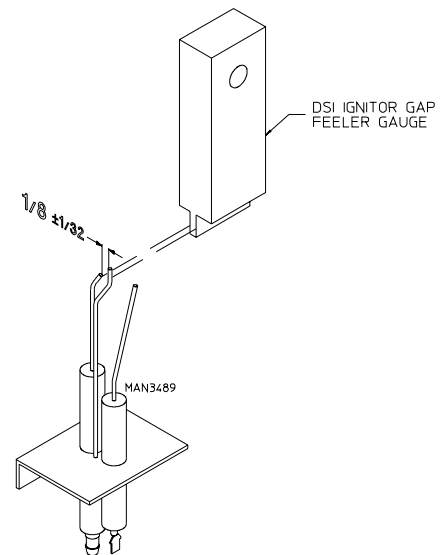
2) Ignitor/Flame-Probe Assembly

The Ignitor/Flame-Probe Assembly consists of a ceramic insulated ignitor electrode, a ground rod, and a ceramic insulated flame-probe electrode. **The GAP between the ignitor electrode and the ground rod is set, and must be maintained at 1/8" (3.175 mm) +/- 1/32" (+/- 0.79248 mm).** When the DSI (Direct Spark Ignition) module provides the high synchronous spark (14,000 volts) through the high voltage (HV) lead, a spark is produced over the GAP. When this spark is produced, the gas valve is opened. Upon ignition, the flame-probe electrode (of the Ignitor/Flame-Probe Assembly) has high voltage provided to it that supplies a small current to ground through the flame. Once the current is sensed, it initializes the DSI module to sustain the gas flow (from the gas valve).

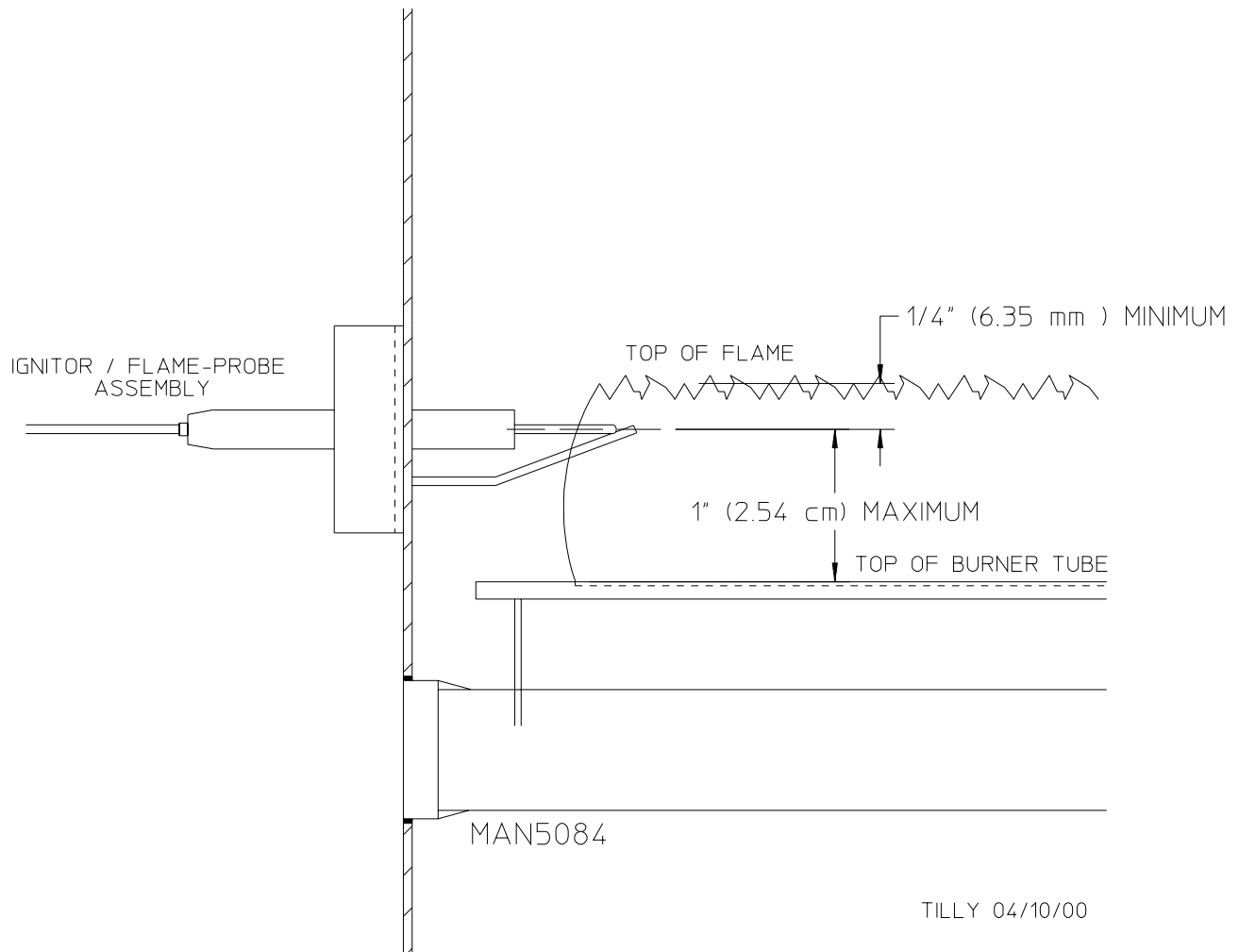
IMPORTANT: THE GAP SETTING ON THE IGNITOR/FLAME-PROBE ASSEMBLY IS CRITICAL.

a) DSI Ignitor/Flame-Probe Assembly Adjustments

- (1) The GAP **on the Ignitor/Flame-Probe Assembly must be set, and held at 1/8" (3.175 mm) +/- 1/32" (+/- 0.79248 mm).** If this GAP is **not** maintained (if the GAP is either too large or too small), the DSI module will indicate a system malfunction and go into the "LOCKOUT" mode (the L.E.D. will LIGHT "RED" CONTINUOUSLY).



- (a) To check and/or set the 1/8" (3.175 mm) GAP, use a DSI (Direct Spark Ignition) Gap Feeler Gauge or similar device to determine GAP size. **DO NOT USE FEELER TO SET THE GAP, USE IT ONLY TO DETERMINE THE SIZE OF THE GAP.** If an adjustment is necessary, bend the ground rod to achieve the correct GAP, then recheck the 1/8" (3.175 mm) GAP with a feeler gauge.
- (b) The ALIGNMENT of the Ignitor/Flame-Probe Assembly in relation to the GAP on the ignitor electrode and ground rod **must be** maintained in as vertical (straight line) a position as possible (refer to the **illustration** below) otherwise the DSI module will indicate a system malfunction and go into the "LOCKOUT" mode (the L.E.D. [light emitting diode] indicator will LIGHT "RED" CONTINUOUSLY).
- (c) The POSITIONING of the Ignitor/Flame-Probe Assembly is *extremely important* because it provides the necessary feedback information to the DSI module. The flame-probe electrode **must be** POSITIONED 1/4" (6.35 mm) minimum into the flame path (refer to the **illustration** below) and **must be** POSITIONED 1-inch (2.54 cm) maximum from the burner tube (refer to the **illustration** below) otherwise the DSI module will indicate a system malfunction and go into the "LOCKOUT" mode (the L.E.D. indicator will LIGHT "RED" CONTINUOUSLY).



NOTE: To reset the DSI module if it is in the "LOCKOUT" mode, "Burner Control Fault" will display. To clear this fault press the "CLEAR/STOP" key.

3) Air Turbulence

If there is sail switch flutter due to air turbulence or improper impellor (fan/blower) rotation or a restriction in the exhaust duct work, the DSI (Direct Spark Ignition) module will cycle erratically. This in turn might cause the DSI module to “LOCKOUT” (where the L.E.D. indicator will LIGHT “RED” CONTINUOUSLY).

- a) If air turbulence cause the flame to move away from the flame-probe electrode (of the Ignitor/Flame-Probe Assembly), or if the flame goes out completely during the heat (flame) cycle, the DSI module will attempt to reestablish a flame by going into a re-ignition cycle.

4) Direct Spark Ignition (DSI) Module

If there is some sort of *operational interference* in the DSI system, the DSI module (acting as the “controller” for the system) will go into a “LOCKOUT” mode (where the L.E.D. [light emitting diode] indicator will LIGHT “RED” CONTINUOUSLY).

- a) *Operational interference* is any adverse condition (whether internal or external) to the system. (Electrical noise is considered *external noise interference* because it can cause the DSI module to cycle erratically.)

NOTE: To reset the DSI module if it is in the “LOCKOUT” mode, “Burner Control Fault” will display. To clear this fault press the “CLEAR/STOP” key.

If the GAP, the ALIGNMENT, and the POSITION of the Ignitor/Flame-Probe Assembly are correct, if the gas flow and pressure is constant and consistent; if there is no adverse air turbulence; and if the DSI module remains in the “LOCKOUT” mode (where the L.E.D. indicator will LIGHT “RED” CONTINUOUSLY) then, there is a malfunction with the DSI module itself, and it **must be** replaced.

NOTE: To reset the DSI module if it is in the “LOCKOUT” mode, “Ignitor Control Fault” will display. To clear this fault press the “CLEAR/STOP” key.

5) Wiring

If the DSI module is in the “LOCKOUT” mode (where the L.E.D. indicator will LIGHT “RED” CONTINUOUSLY), and the mechanical components have been checked (i.e., the Ignitor/Flame-Probe Assembly, the gas valve, etc.), then, there may be a problem somewhere in the DSI system wiring.

- a) Check **ALL** the wiring within the DSI system, especially the ground connections at the DSI module and the Ignitor/Flame-Probe Assembly.

NOTE: Check for any possible damage to the ceramic insulators on the ignitor electrode and the flame-probe electrode of the Ignitor/Flame-Probe Assembly.

- b) Make sure the flame-probe electrode of the Ignitor/Flame-Probe Assembly is positioned no more than 1-inch (2.54 cm) maximum from the burner tube.

CAUTION: *DO NOT* LET THE IGNITOR/FLAME-PROBE ASSEMBLY TOUCH THE BURNER TUBES; OTHERWISE THE ENTIRE ASSEMBLY WILL SHORT OUT.

6) Direct Spark Ignition (DSI) 24 VAC Transformer

The DSI transformer is designed to step down the operating voltage of the dryer to 24 VAC. This operates the DSI module. This transformer, like ALL transformers is two (2) sided;

a) Primary Side...

This is the incoming voltage side - 208 VAC, 230/240 VAC, 380 VAC, 416 VAC, 480 VAC - of the transformer.

b) Secondary Side...

This is the step down side - 24 VAC - of the transformer. (If the dryer is above 240 VAC a secondary voltage of 240 VAC will also be present.)

WARNING: 208 VAC and 230/240 VAC ARE NOT THE SAME. ALL voltage connections *should be* checked and confirmed according to the foil data label provided with the individual dryer. Any damage done to dryer components due to improper voltage connections will automatically VOID THE WARRANTY.

IMPORTANT: The ADC Service Department *must be* contacted prior to any wiring change or conversion because, depending on the change or conversion required, some parts may have to be added, deleted, or changed. When contacting the ADC Service Department, they *must be* given the correct model number and serial number for the dryers.

NOTE: Any wiring changes or conversions *should be* accomplished by a QUALIFIED ELECTRICAL TECHNICIAN.

C. NATURAL GAS and L.P. (Liquid Propane) GAS CONVERSION INSTRUCTIONS

IMPORTANT: CONVERSION ***MUST BE*** PERFORMED BY COMPETENT TECHNICIANS IN ACCORDANCE WITH LOCAL and STATE CODES.

NOTE: Converting the dryer to L.P. Gas disables the internal regulator of the gas valve, therefore, an external regulator ***must be*** provided at the source of the L.P. gas supply (L.P. tank) or the dryer. The water column (W.C.) gas pressure ***must be*** regulated is 10.5 inches (26.1 mb) for safe and efficient dryer operation. Low, inconsistent, or too high a gas pressure will result in improper operation of the dryer's heat and safety circuits. **POOR EFFICIENCY CAN CREATE A POTENTIAL SAFETY HAZARD.**

1. Discontinue electrical power to the dryer.
2. Close **ALL** gas shut-off valves in the dryer's gas supply line.

Turn the gas cock dial to the off position on the gas valve.

3. Disconnect the gas valve wiring.

Be sure to identify the correct location of *each wire* for correct reinstallation.

4. Disconnect union connection in the gas supply line.

IMPORTANT: Pipe joint compounds that resist the action of natural gas and L.P. gas ***must be*** used.

5. Loosen and remove the screws from the brackets holding the gas valve/manifold assembly to the burner box.
6. Remove the gas valve and manifold assembly from the dryer.
7. Unscrew the main burner orifices and replace them with the L.P. orifices provided.

NOTE: Use extreme care when handling (removing or replacing) orifices. **THESE ORIFICES ARE MADE OF BRASS and CAN BE EASILY DAMAGED.**

8. Remove the two (2) screws on the gas valve regulator.

Remove the regulator and the gasket.

9. Install the new gasket and L.P. regulator.

Replace the two (2) screws.

NOTE: USE ONLY NEW PARTS PROVIDED.

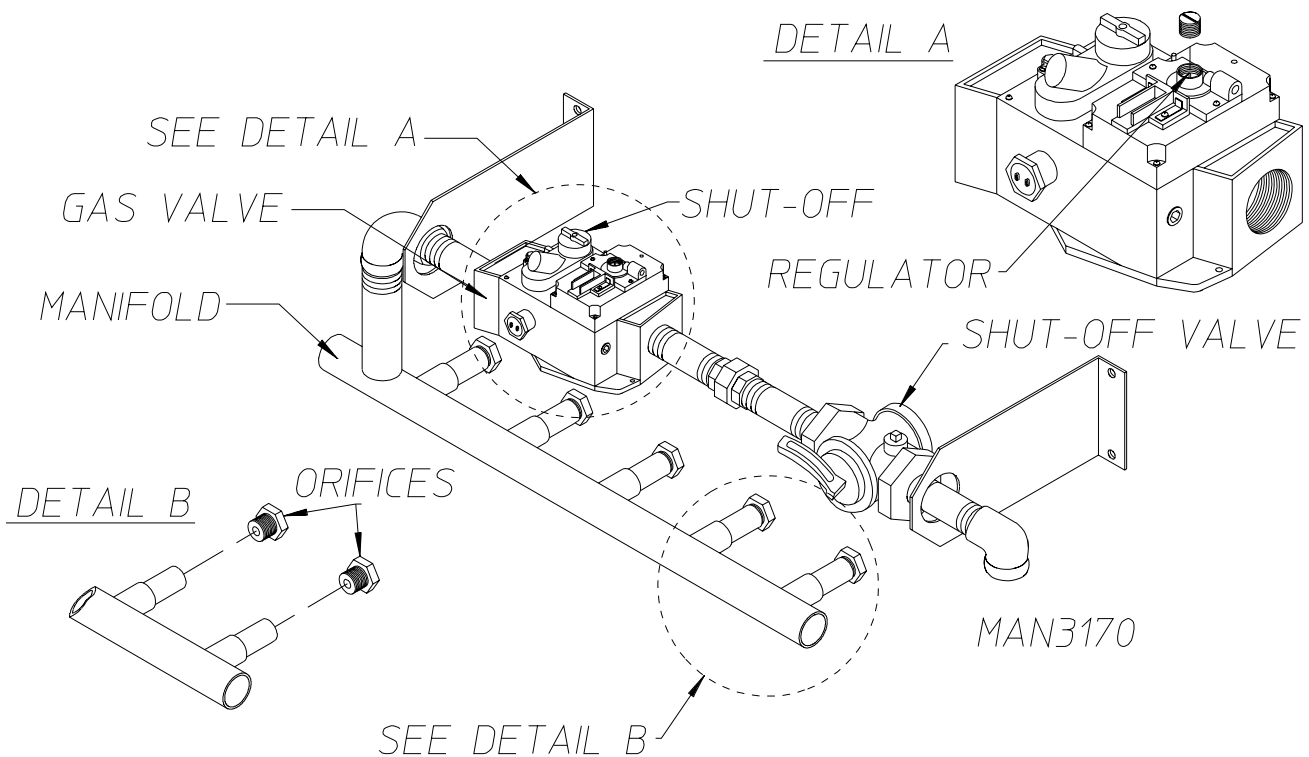
10. Place the L.P. conversion labels on the gas valve.
11. Reverse the procedure for reinstalling the gas valve/manifold assembly to the dryer.

12. Open **ALL** gas shut-off valves (closed in *Step #2*).
13. Reestablish electrical power to the dryer.
 - a. Test **ALL** connections for leaks.

IMPORTANT: Test **ALL** connections for leaks by brushing on a soapy water solution (liquid detergent works well).

WARNING: NEVER TEST FOR LEAKS WITH A FLAME!!!

14. Operate the dryer through one (1) complete cycle to insure proper operation.

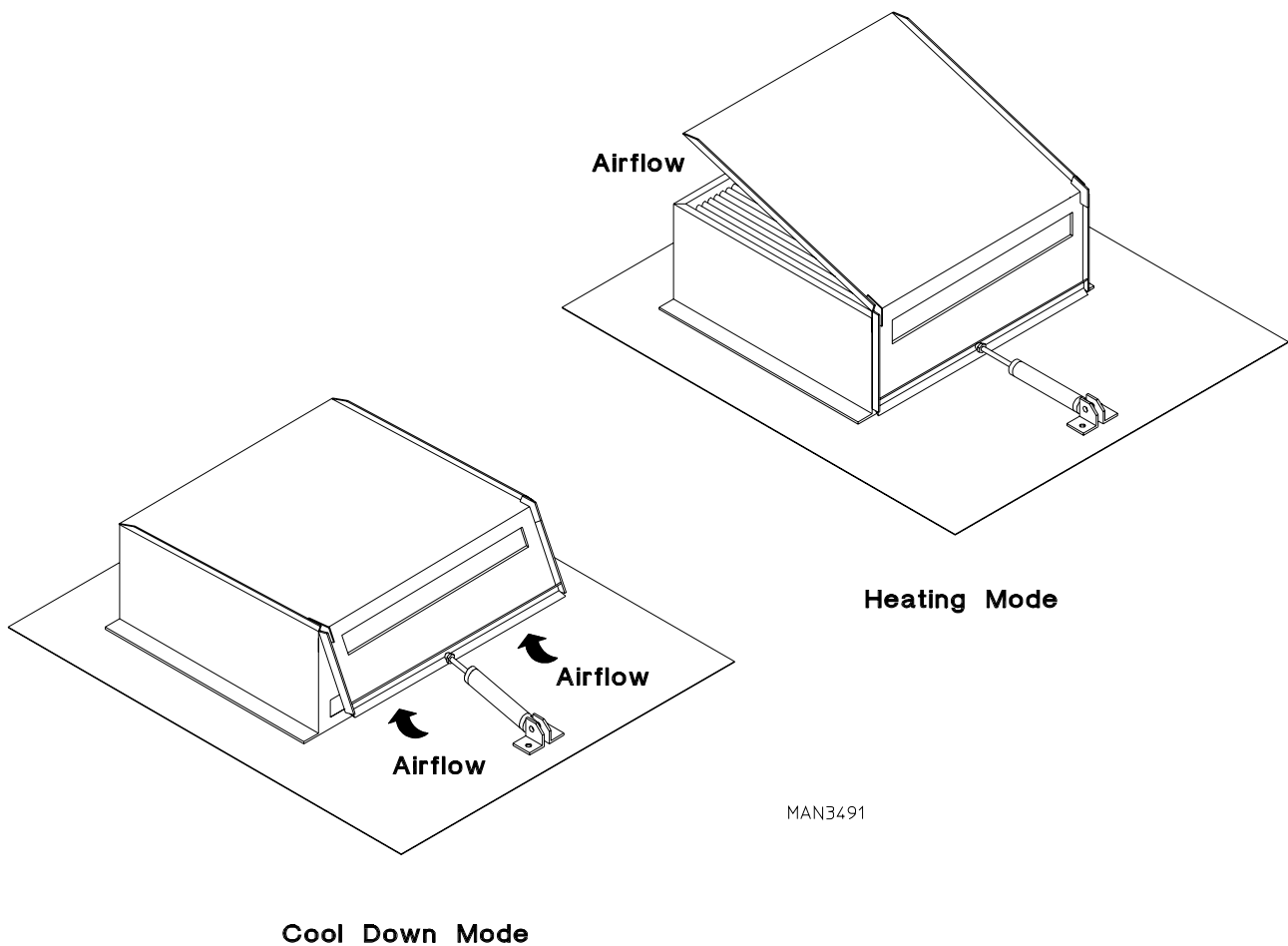


D. STEAM COIL SYSTEM OPERATION

General Overview

The ADS-200 steam coil is constantly charged thereby eliminating repeated expansion and contraction and also provide instant heating to start the drying process. The steam damper, located on top of the steam coil, is the only temperature controlling device in this system. When the steam damper is open, ambient air is drawn through the coil providing heat to the dryer. When the steam damper is closed, ambient air is drawn directly into the tumbler (basket), bypassing the coil, allowing a rapid cool down.

NOTE: With the dryer off or no air supply to the damper piston, the damper is in the Cool Down mode...the coil is constantly charged.



1. Steam Coil PH Level

The normal PH level for copper type steam coils **must be** maintained between a value of 8.5 to 9.5. For steel type steam coils the PH level **must be** maintained between a value of 9.5 to 10.5. These limits are set to limit the acid attack of the steam coils.

IMPORTANT: Coil failure due to improper PH level will VOID THE WARRANTY.

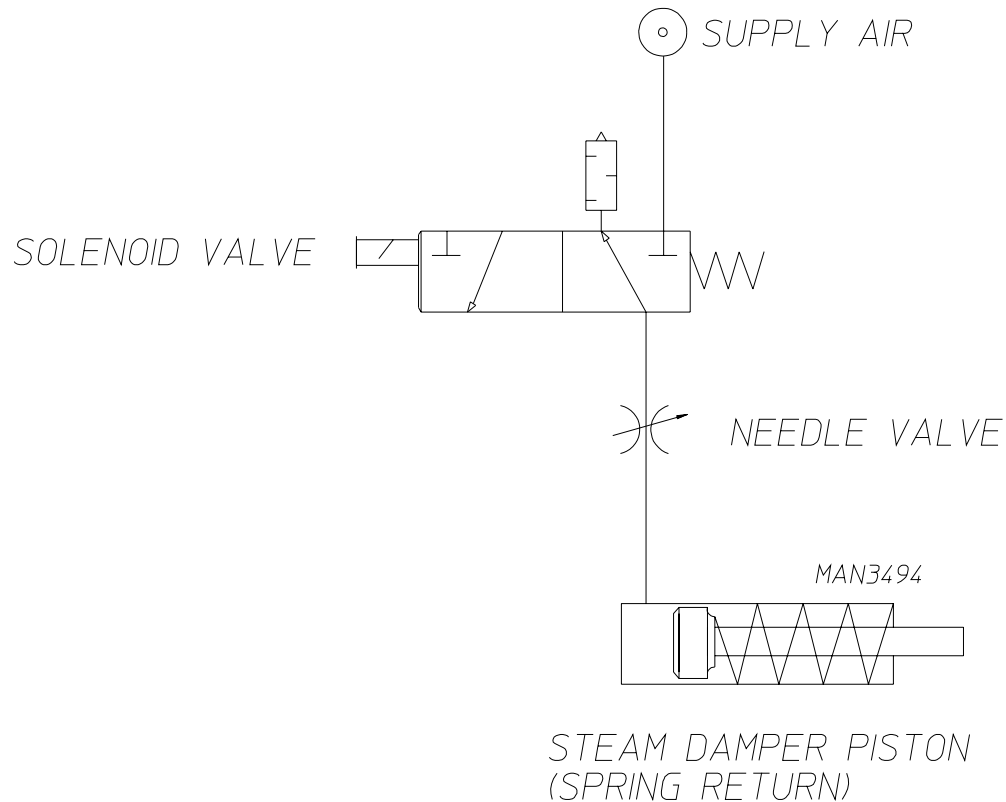
2. Steam Damper Actuator System

The steam damper actuator system consists of a hinged damper plate, pneumatic piston, and a 24 volt solenoid valve with a needle valve to control the speed of the piston actuation.

On a call for heat, a 24 volt signal is applied to the 3-way/2-position solenoid valve. This signal switches the valve so that compressed air is sent to the piston. The piston rod extends, pushing the hinged steam damper plate to the open position. This allows room air to be drawn through the hot steam coil and then through the tumbler (basket).

When the temperature set point has been reached, the 24 volt signal is removed from the solenoid valve, so that the solenoid valve blocks the air supply to the piston, and air in the piston is bled to the atmosphere. The spring in the piston now retracts the piston rod, closing the steam damper. The steam damper plate now covers the steam coil and allows room air to bypass the coil before entering the tumbler (basket) for a rapid cool down.

The steam damper plate should open and close slowly and smoothly. The speed can be modulated by adjusting the needle valve knob. Turning the knob clockwise (CW) restricts the compressed airflow and slows the steam damper movement. Counterclockwise (CCW) adjustment speeds up the steam damper motion. Upon completion of the adjustment, tighten the needle valve's locking nut.



3. Steam Damper Actuator System Service and Replacement

a. Steam Damper Cylinder or Piston Replacement

- 1) Disconnect compressed air supply from the dryer.
- 2) Disconnect tubing from the piston.
- 3) Remove the spring clip from clevis pin then slide out the clevis pin.
- 4) Remove the steam damper cylinder (piston).
- 5) To install new steam damper cylinder (piston), reverse above procedure (**Step #4 thru Step #1**).

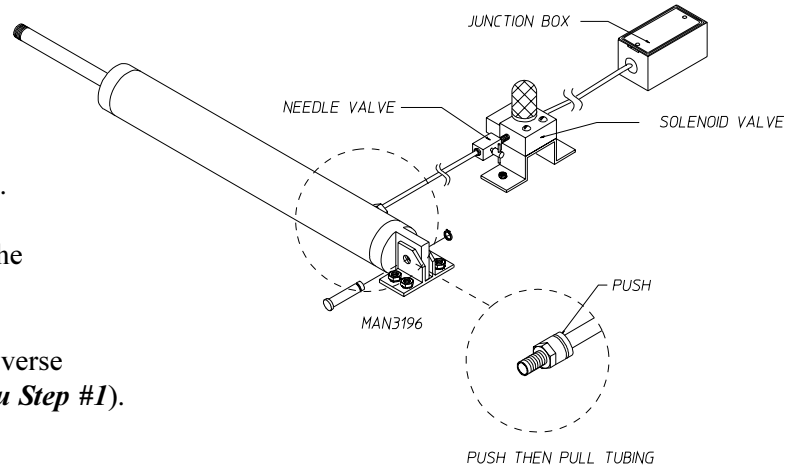
b. Steam Solenoid Valve Replacement

- 1) Disconnect compressed air supply from the dryer.
- 2) Discontinue electrical power to the dryer.
- 3) Disconnect wires in junction box.
- 4) Remove tubing from the inlet side of the valve.

- 5) Remove the valve from the bracket.
- 6) Unscrew the valve from the outlet side.
- 7) To install new steam solenoid valve, reverse above procedure (*Step #6 thru Step #1*).

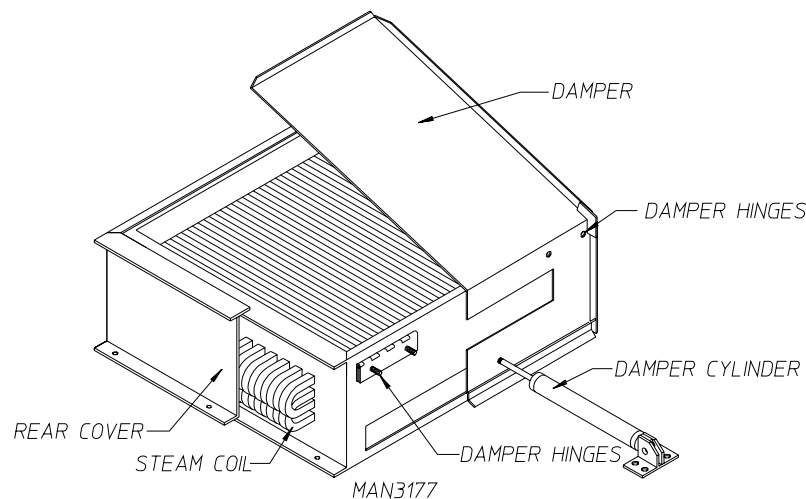
c. Needle Valve Replacement

- 1) Disconnect compressed air supply from the dryer.
- 2) Remove tubing from the valve.
- 3) Unscrew needle valve from the solenoid valve.
- 4) To install new needle valve, reverse above procedure (*Step #3 thru Step #1*).



d. Steam Coil Replacement

- 1) Discontinue electrical power to the dryer.
- 2) Disconnect compressed air supply from the dryer.
- 3) Shut off **ALL** steam supply lines and steam return valves that feed the steam coil.
- 4) Wait a sufficient amount of time until **ALL** of the steam lines and the steam coil is cool.
- 5) Open 1/2" (12.7 mm) plug on the return line to bleed off any residual steam pressure.



CUT AWAY VIEW OF STEAM COIL ASSEMBLY

CAUTION: MAKE CERTAIN THAT THE ENTIRE STEAM SYSTEM (coil, lines, valves, etc.) ARE COOLED TO AVOID HOT STEAM ESCAPING and TO AVOID PERSONAL INJURY.

- 6) Remove steam coil damper cylinder (piston).
- 7) Remove the steam coil damper by unbolting from its hinges.
- 8) Disconnect steam supply lines and steam return lines at the unions.
- 9) Remove the remaining piping from the steam coil.
- 10) Remove **ALL** of the panels surrounding the steam coil.
- 11) Unbolt the steam coil and remove.

WARNING: The steam coil is heavy. A crane may be needed to remove (and install) the steam coil.

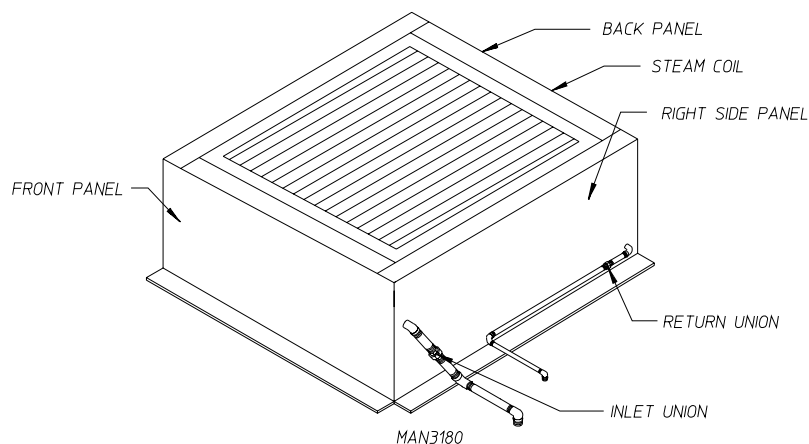
- 12) Remove the steam coil damper hinges from the old coil and install them on the new steam coil.
- 13) Hoist the new steam coil into place and bolt down.
- 14) Replace **ALL** of the panels removed in *Step #10*.
- 15) Reinstall **ALL** of the piping removed from the old steam coil in *Step #9*.

NOTE: Thread sealant certified for steam piping *must be* applied to the threads.

- 16) Reconnect **ALL** of the piping (supply lines and return lines) disconnected in *Step #8*.
- 17) Reinstall steam damper cylinder (piston) removed in *Step #6*.
- 18) Reestablish electrical power to the dryer.
- 19) Close the 1/2" (12.7 mm) plug which was opened in *Step #5*.

WARNING: THE 1/2" (12.7 MM) PLUG MUST BE CLOSED BEFORE ATTEMPTING TO APPLY ANY STEAM PRESSURE.

- 20) *Slowly* open the return line then *slowly* open the supply line.



VIEW OF STEAM COIL w/ DAMPER REMOVED

E. SPRINKLER SYSTEM DESCRIPTION

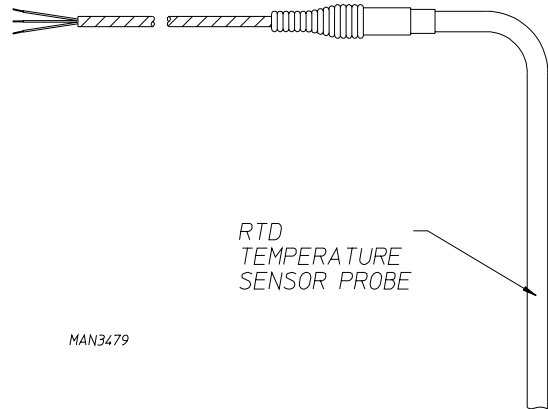
The AD-200 sprinkler system is monitored by a microprocessor based temperature controller as a designated “FAIL-SAFE.” The microprocessor circuit **must have** power in order to engage main power to the dryer. When cycling the dryer, if temperature at the Resistive Temperature Device (RTD) reaches 575° F (301.6° C), one (1) set of contact in the controller will open, disabling the power (electric supply) to the dryer. Another set of contacts will close, sounding the alarm and turning on the sprinkler.

NOTE: The sprinkler as well as the alarm will remain on until the “amber” colored sprinkler reset button is pressed and the temperature in the tumbler (basket) falls below 575° F (301.6° C).

1. Description Of Components

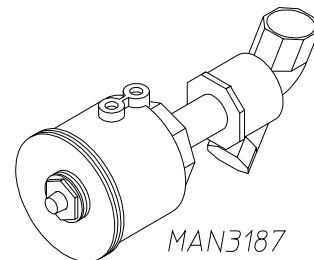
a. Resistive Temperature Device (RTD)

The RTD is located above the tumbler (basket). The probe is a 100 ohms (100 Ω) platinum RTD. As the temperature increases or decreases the resistance value corresponds to the ambient temperature (i.e., 100 Ω = 32° F [0° C]...109 Ω = 75° F [24° C]).



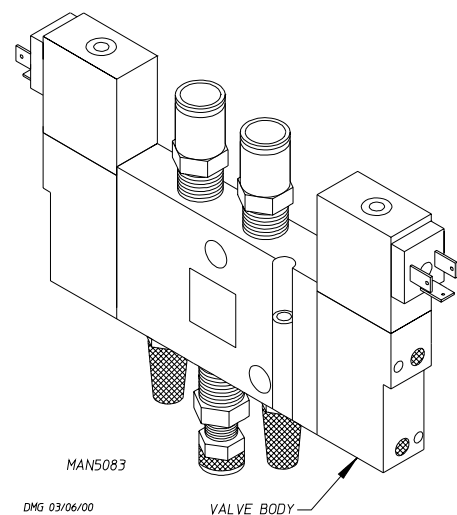
b. Sprinkler Valve

The sprinkler valve is a 2-way, air piloted, normally closed valve. With pilot air pressure applied, the valve opens allowing water to flow.



c. Sprinkler Solenoid Valve

The sprinkler solenoid valve is a 3-way/2-position solenoid valve that is used to supply pilot air to the sprinkler valve.



d. Sprinkler Digital Temperature Controller

The sprinkler digital temperature controller is a programmable microprocessor used to monitor temperatures via a Resistive Temperature Device (RTD).

NOTE: Operating parameters are preset at the factory and *should not* require any adjustment.

2. Sprinkler System Operation

NOTE: Refer to the ladder diagram provided with the dryer for specific relay logic.

Master Relay - The coil in this relay **must be** energized in order to close the contacts needed to supply power to the dryer's control system.

Relay 1 - The coil in this relay energizes if the set-point is reached closing Contact 1 and Contact 2. Contact 1 latches Relay 1 on. Contact 2 closes, turning on the sprinkler, the horn, and the reset button light. Relay 1 will remain energized until the reset button is pushed.

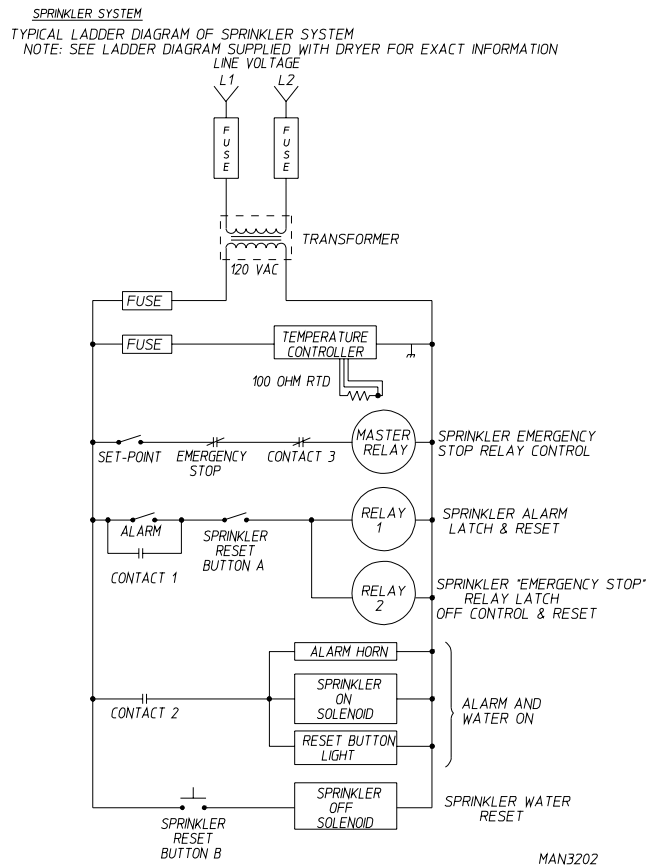
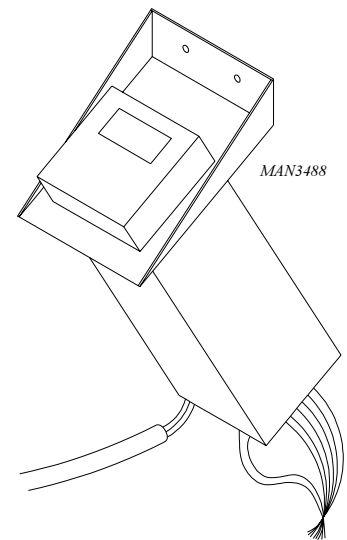
Relay 2 - The coil in this relay energizes if the set-point is reached closing Contact 3, de-energizing the Master Relay, and shutting power off to the dryer. Relay 2 will remain energized until the reset button is pushed.

NOTE: The Sprinkler System will remain on until the tumbler (basket) temperature falls below the set-point, and the reset button is manually activated.

3. Sprinkler System Component Replacement

a. Resistive Temperature Device (RTD) Replacement

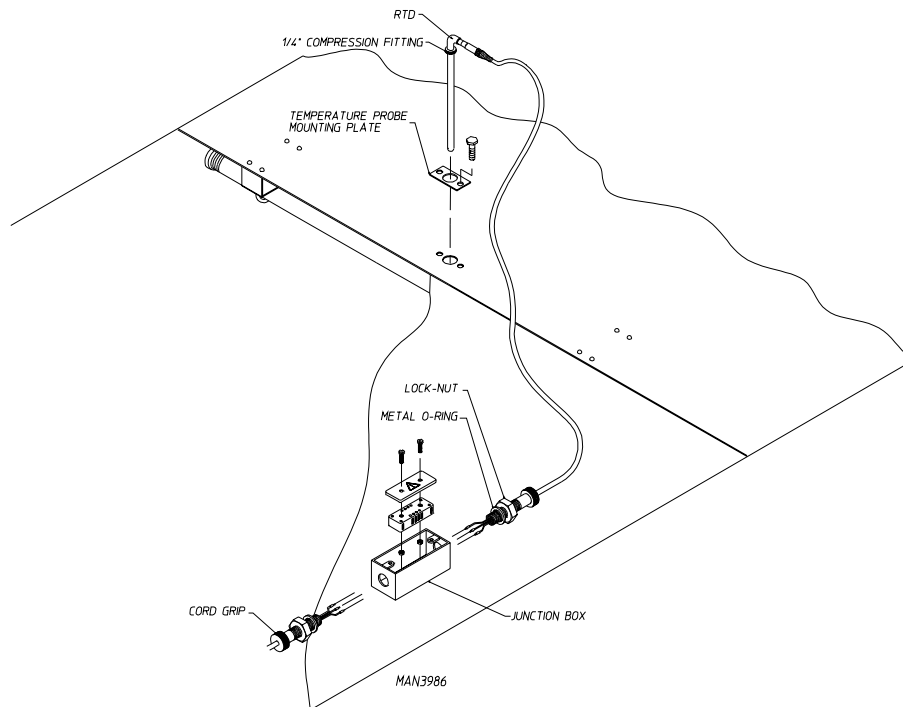
- 1) Turn the water supply to the dryer off.
- 2) Discontinue electrical power to the dryer.
- 3) Remove the 1/4" (6.35 mm) compression fitting.
- 4) Remove the two (2) screws from the junction box cover.



- 5) Remove the wires of the RTD from the terminal strip.

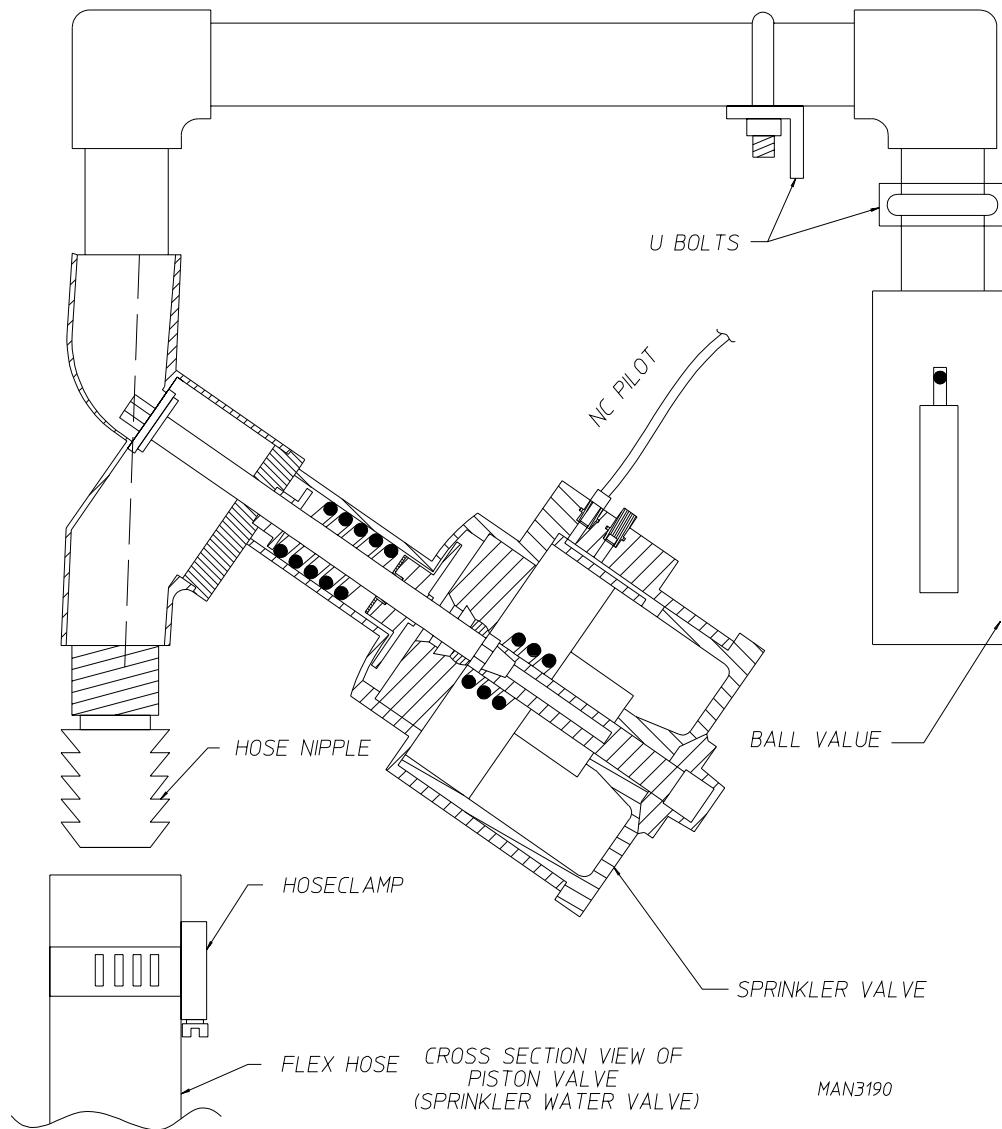
NOTE: Identify the wires removed for proper reinstallation.

- 6) Loosen the cord grip cap.
- 7) Remove Resistive Temperature Device (RTD).
- 8) To install new RTD, reverse above procedure (*Step #7 thru Step #1*).



b. Sprinkler Valve Replacement

- 1) Turn the water supply to the dryer off.
- 2) Discontinue electrical power to the dryer.
- 3) Disconnect compressed air supply from the dryer.
- 4) Loosen and remove the hose clamp.
- 5) Remove any residual water to the valve.
- 6) Remove 1/4" (6.35 mm) air tubing going to the valve.
- 7) Remove the two (2) U-bolts holding the sprinkler valve assembly.
- 8) Unscrew the sprinkler valve from the tubing.
- 9) To install new sprinkler valve, reverse above procedure (*Step #8 thru Step #1*).



c. 3 HP (2.24 kw) Control Relay Replacement

WARNING: THE SPRINKLER CIRCUIT HAS A SEPARATE POWER SUPPLY (than the power supply for the dryer). **DISCONNECT and LOCK OUT BOTH POWER SUPPLIES BEFORE SERVICING THE DRYER.**

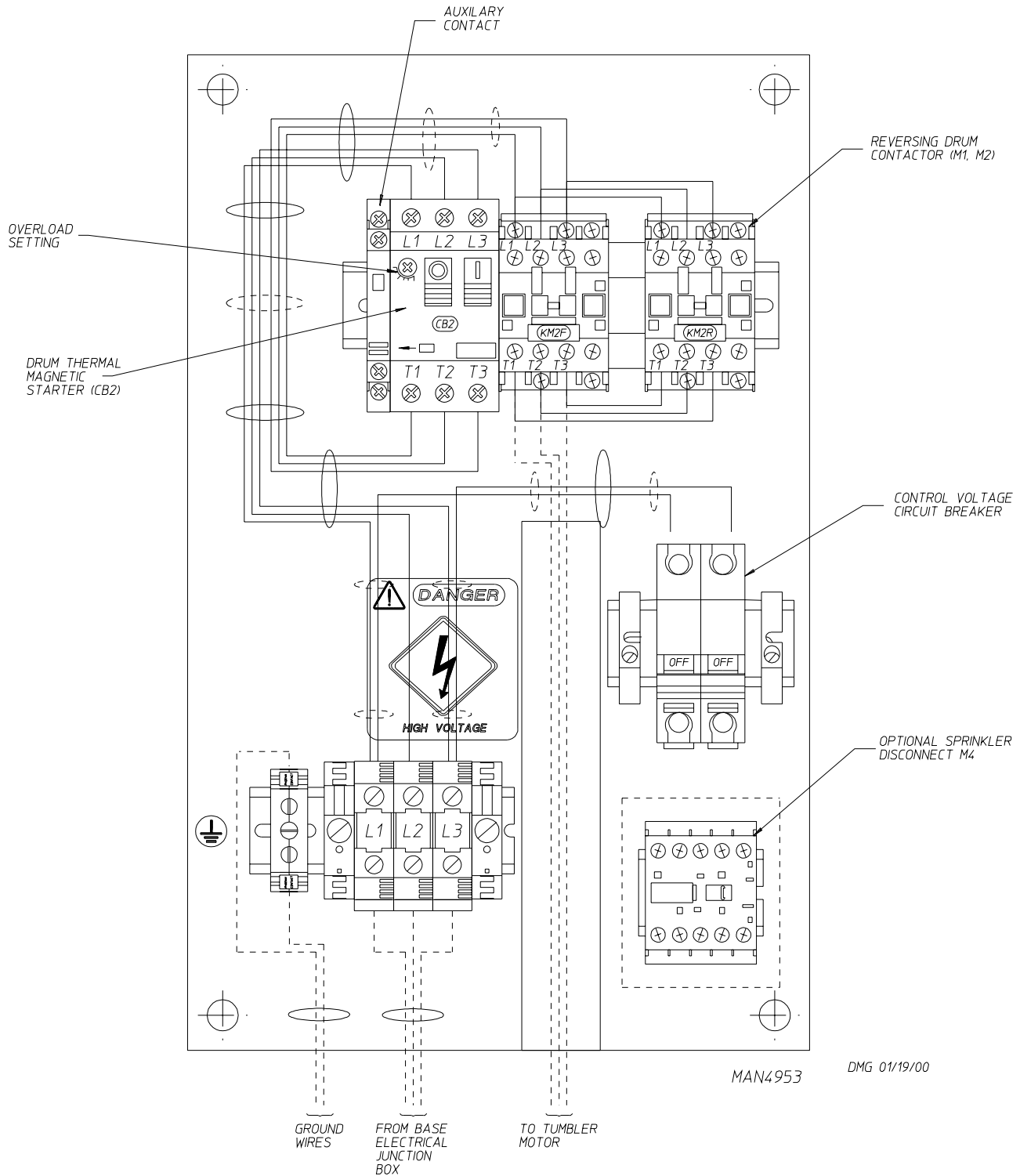
- 1) Mark and identify the wires that will be removed for proper reinstallation.
- 2) Press down on the control relay and lift the bottom out and up to remove from the din rail.
- 3) Remove the wires.
- 4) Replace the faulty control relay.
- 5) Replace the wires removed from *Step #3*.

NOTE: Make sure wires are properly reinstalled using identifying markings from *Step #1*.

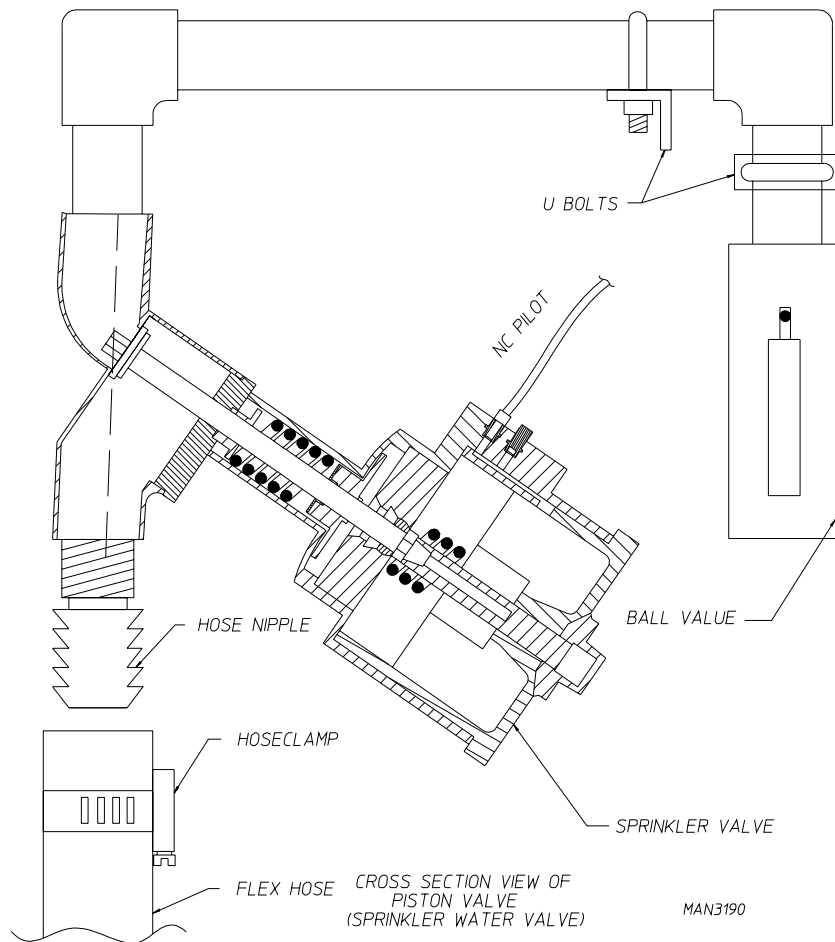
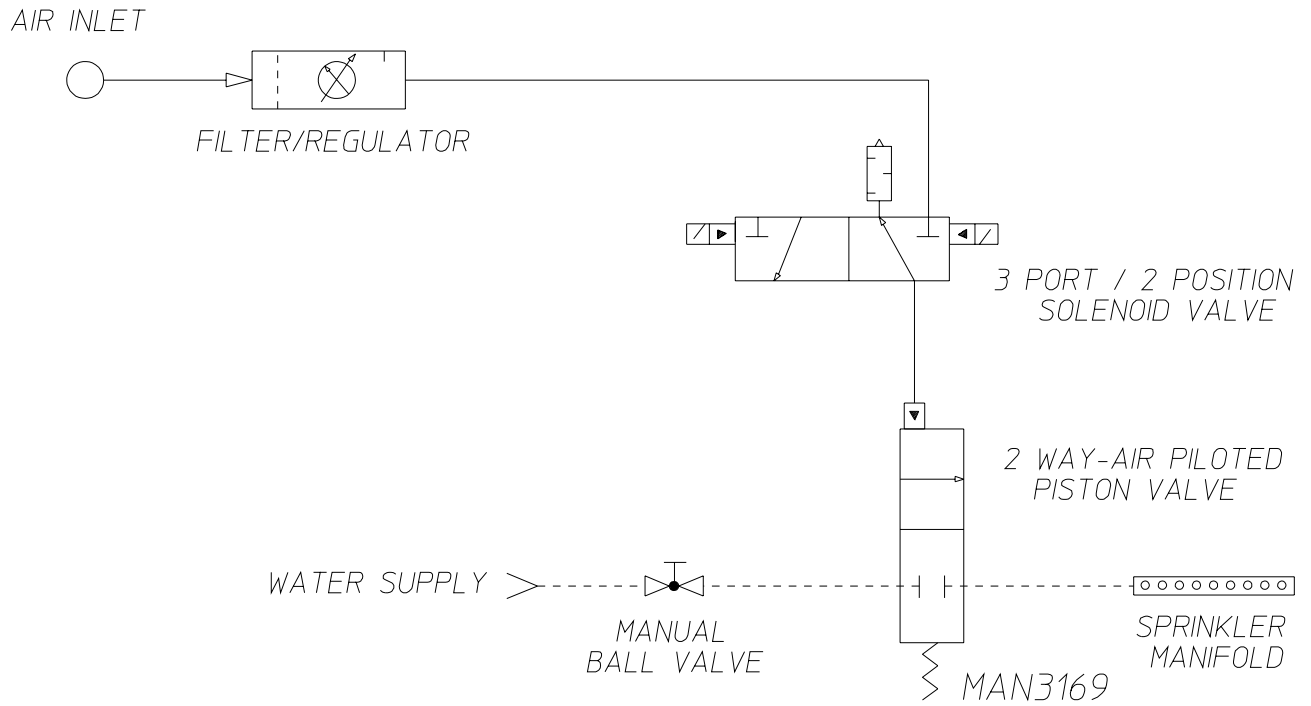
- 6) Mount the top of the control relay to the top of the din rail, then press down and snap the bottom into the rail.

Set the overload to the setting specified on the dryer blueprints.

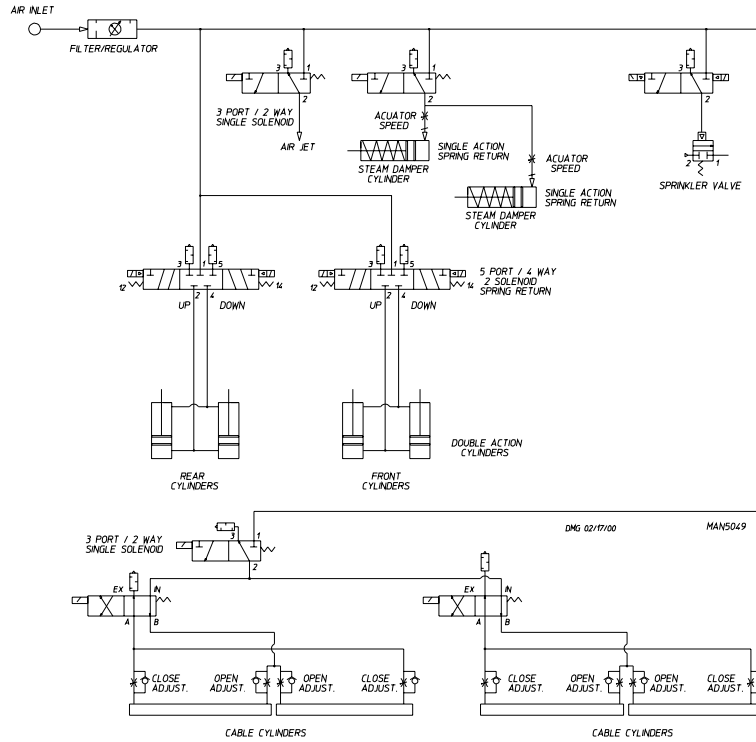
- 7) Inspect the work performed before reestablishing power (electrical power) to the dryer.
- 8) Reestablish electrical power to the dryer.



SPRINKLER SYSTEM PNEUMATIC DIAGRAM

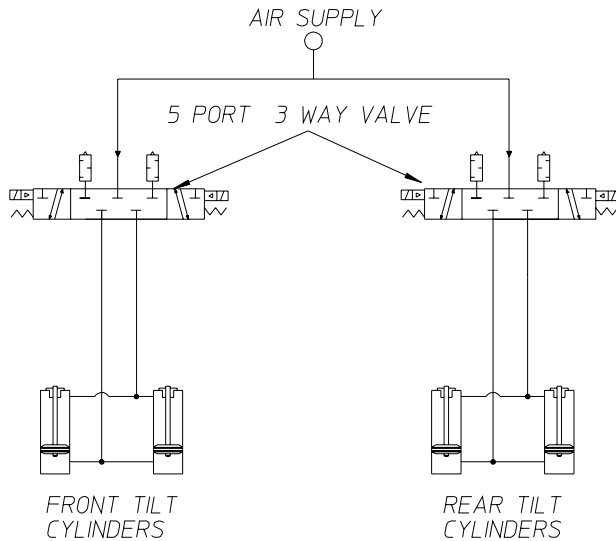


F. TILTING SYSTEM DESCRIPTION



The tilting system in the AD-200, whether it be 1-Way Tilt or 2-Way Tilt, is controlled by the TSX-07 Programmable Logic Controller (PLC). The PLC will determine if the dryer is safe to tilt based on inputs from several sources. If **ALL** conditions are met, the PLC will send a signal to the tilt relays which energize the appropriate tilt solenoid valve. Compressed air is then allowed to enter the cylinders raising the tumbler (basket).

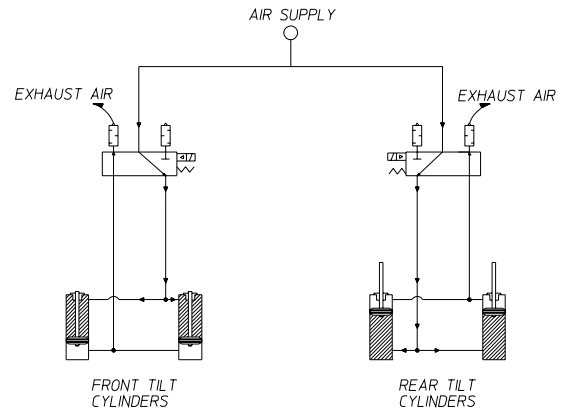
FRONT UP - REAR DOWN AIR FLOW DIAGRAM



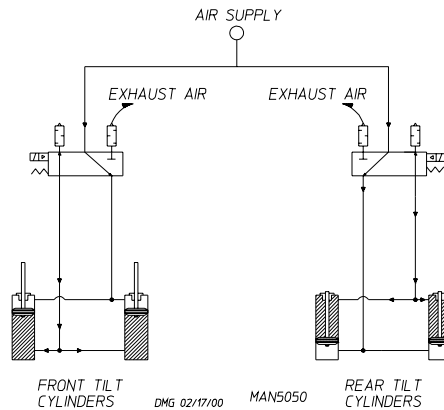
CAUTION: DO NOT USE TILT OF PISTONS AS A MEANS OF WORKING BETWEEN TUMBLER AND BASE SECTION

DMG 02/17/00
MAN5051

REAR UP - FRONT DOWN AIR FLOW DIAGRAM



FRONT UP - REAR DOWN AIR FLOW DIAGRAM



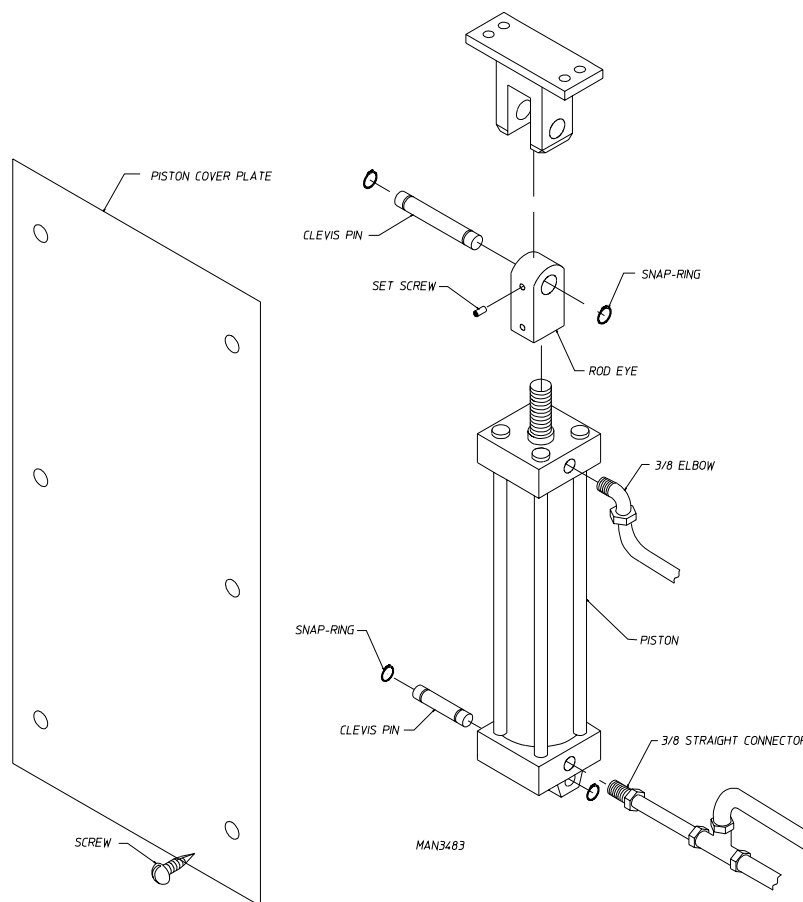
1. Tilting Solenoid Valve

The AD-200 uses a 3-position/4-way/5-port, spring centering double solenoid valve. With no power applied to either solenoid, the valve is in a spring centered blocked post state. In this mode, the dryers' tilting pistons will remain in their present state, not being able to exhaust air or receive air. When the left solenoid is energized with 24 VAC, the pilot air pushes the shuttle to the right enabling air to flow into the #2 port and exhausts #4 port. On 2-Way Tilt models, this is dependent on a supply of external pilot air from the #4 port of the opposite solenoid valve. When the right solenoid of the valve is energized, airflows through the #4 port and the #2 port exhausts the pilot air, the right side of the valve is always internal pilot.

The tilting solenoid valve has two (2) mufflers. The air is exhausted through these mufflers thereby quieting the airflow.

2. Tilting Pistons

The tilting piston is a double acting cylinder that has a 5-inch (12.7 cm) bore and an 11-inch (27.94 cm) stroke. When air is applied to the bottom port of the cylinder, the piston begins to extend and air is exhausted through the top port. Then, if air is applied to the top port, the bottom port will exhaust the air which will cause the piston to retract.



3. Tilting System Component Replacement

CAUTION: NEVER SERVICE PNEUMATIC COMPONENTS WITH COMPRESSED AIR CONNECTED. SERIOUS INJURY MAY RESULT.

a. Tilting Solenoid Replacement

- 1) Engage “EMERGENCY STOP” (E-Stop)...
Discontinue electrical power to the dryer.
- 2) Remove panel covering the pneumatic controls.
- 3) Label the solenoid plugs as an aid when reconnecting.
- 4) Loosen screws from the solenoid plug.
- 5) Remove the solenoid plug (take notice of the gaskets).
- 6) Remove the E-clip by *gently* prying off.
- 7) Slide tilting solenoid valve up off of the post.
- 8) To install new tilting solenoid valve, reverse above procedure (*Step #7 thru Step #1*).

b. Tilting Solenoid Valve Replacement

- 1) Disconnect compressed air supply from the dryer.
- 2) Tilt, then level the dryer to exhaust as much air as possible.
- 3) Disengage “EMERGENCY STOP” (E-Stop)...
Discontinue electrical power to the dryer.
- 4) Label the solenoid plugs and air lines as an aid when reconnecting.
- 5) Loosen screws from the solenoid plug.
- 6) Remove the solenoid plug (take notice of the gaskets). Refer to the **illustration** on **page 56**.
- 7) Loosen compression fittings on the air lines...
Disconnect the three (3) air lines.
- 8) Remove the two (2) 1/4-20 hex head bolts that mount the solenoid valve. (Refer to the **illustration** on **page 56**.)
- 9) Remove the three (3) 3/8” (9.525 mm) straight connectors. (Refer to the **illustration** on **page 56**.)
Reinstall these connectors on the new solenoid valve body.

10) Remove the two (2) 3/8" (9.525 mm) mufflers. (Refer to the **illustration** on **page 56**.)

Reinstall these mufflers on the new solenoid valve body.

11) The left orifice (marked #12 on the tilting solenoid valve) now **must be** configured for external pilot.

NOTE: For 1-Way Tilt models proceed to **Step #23**.

12) Remove the two (2) Phillips head screws.

13) *Carefully* remove the end of the valve.

NOTE: The pieces within the end of the valve are small. Handle *carefully* to avoid losing parts.

14) Place the solenoid plug over the pilot orifice position of the solenoid valve end.

15) Place the O-ring (from **Step #13**) into the top portion of the solenoid valve end.

16) Place end back onto the valve removed in **Step #13**.

17) Replace the two (2) Phillips head screws removed in **Step #12**.

18) Remove Allen plug on the left side of the orifice marked #12 on the tilting solenoid valve.

19) Remove the pilot air's 1/4" (6.35 mm) compression fitting.

20) Remove the pilot air's 1/8" (3.175 mm) elbow.

Reinstall the elbow onto the new solenoid valve body.

21) Reconnect the three (3) air lines removed in **Step #7**.

Tighten/secure compression fittings on the air lines loosened in **Step #7**.

22) Bolt the solenoid valve in place using the two (2) 1/4-20 hex head bolts removed in **Step #8**.

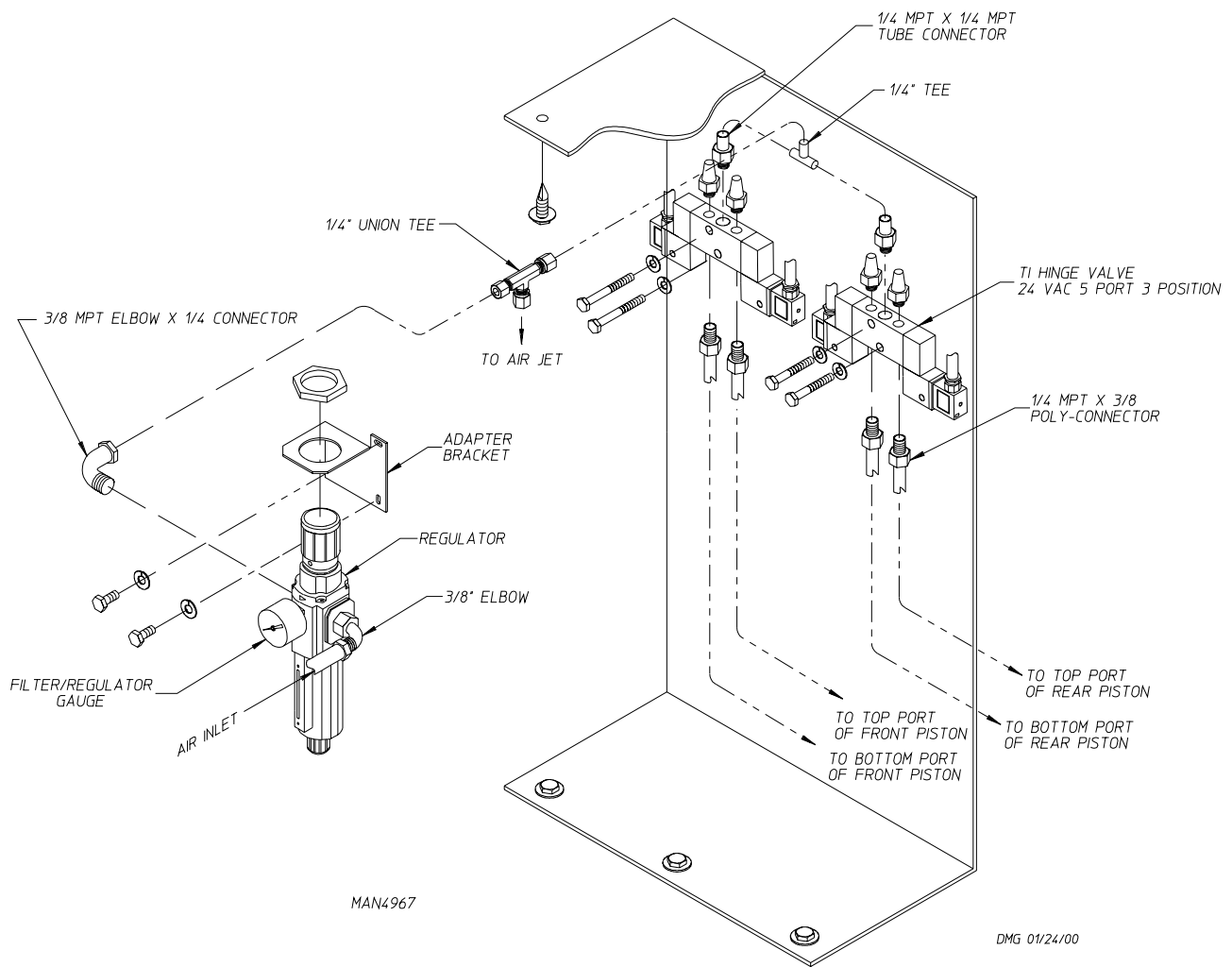
23) Reconnect the three (3) air line compression fittings.

24) Reestablish the compressed air supply to the dryer.

25) Check for leaks.

26) Reestablish electrical power to the dryer.

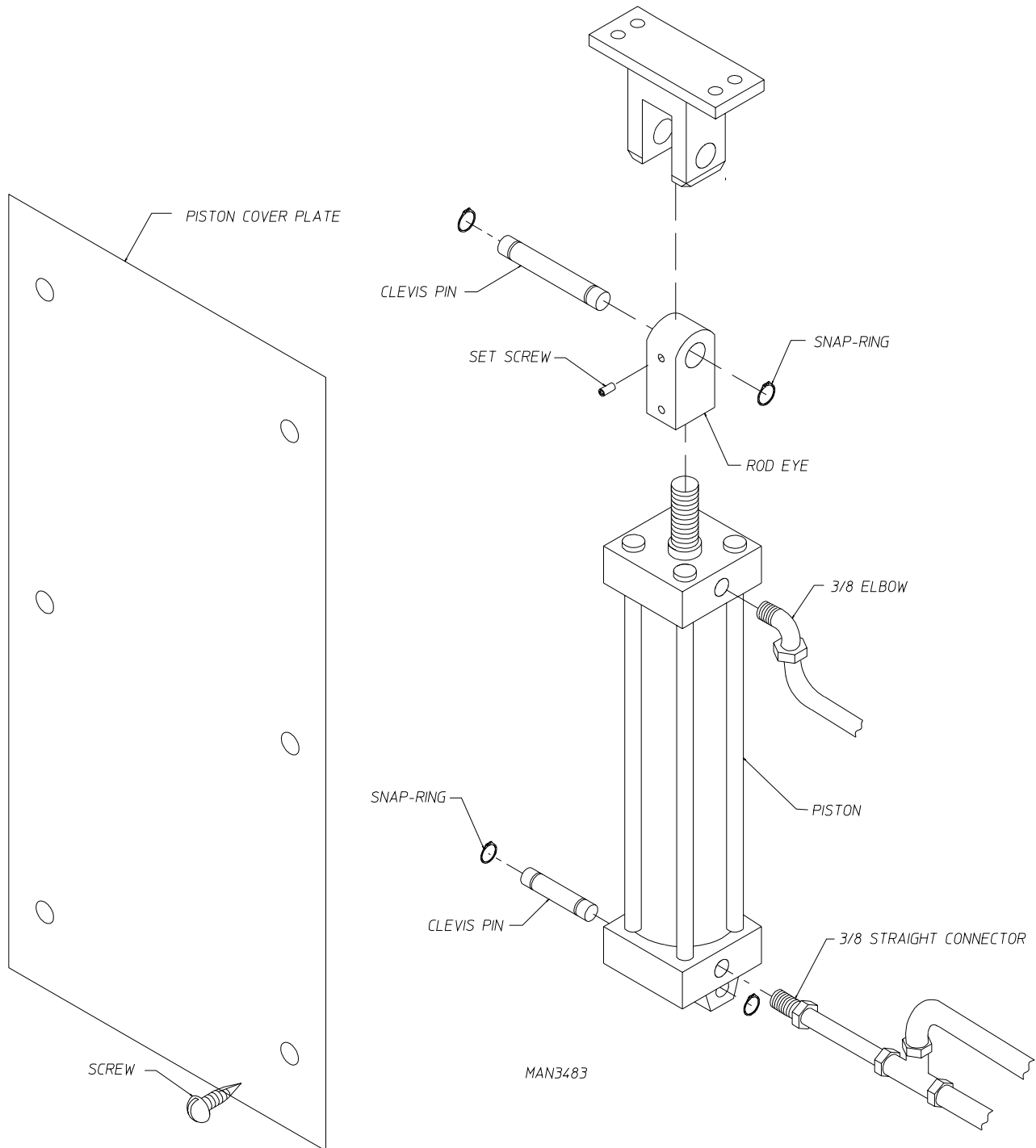
27) Engage "EMERGENCY STOP" (E-Stop) disengaged in **Step #3**.



c. Tilting Piston Replacement

- 1) Disconnect compressed air supply from the dryer.
- 2) Tilt, then level the dryer to exhaust as much air as possible.
- 3) Disengage "EMERGENCY STOP" (E-Stop)...
Discontinue electrical power to the dryer.
- 4) Remove the six (6) screws holding the piston cover plate.
- 5) Label the air lines as an aid when reconnecting.
- 6) Loosen the 3/8" (9.525 mm) compression fittings...
Remove the air lines.
- 7) Remove the 3/8" (9.525 mm) straight connector.
- 8) Remove the 3/8" (9.525 mm) elbow.

- 9) *Carefully* remove the E-clips from the clevis pins.
- 10) Remove clevis pins.
- 11) Loosen the bottom set screw in the piston rod eye.
- 12) Unscrew the piston rod eye from the tilting piston.
- 13) To install new tilting piston, reverse above procedure (***Step #12 thru Step #1***).



G. AIR JET ASSEMBLY

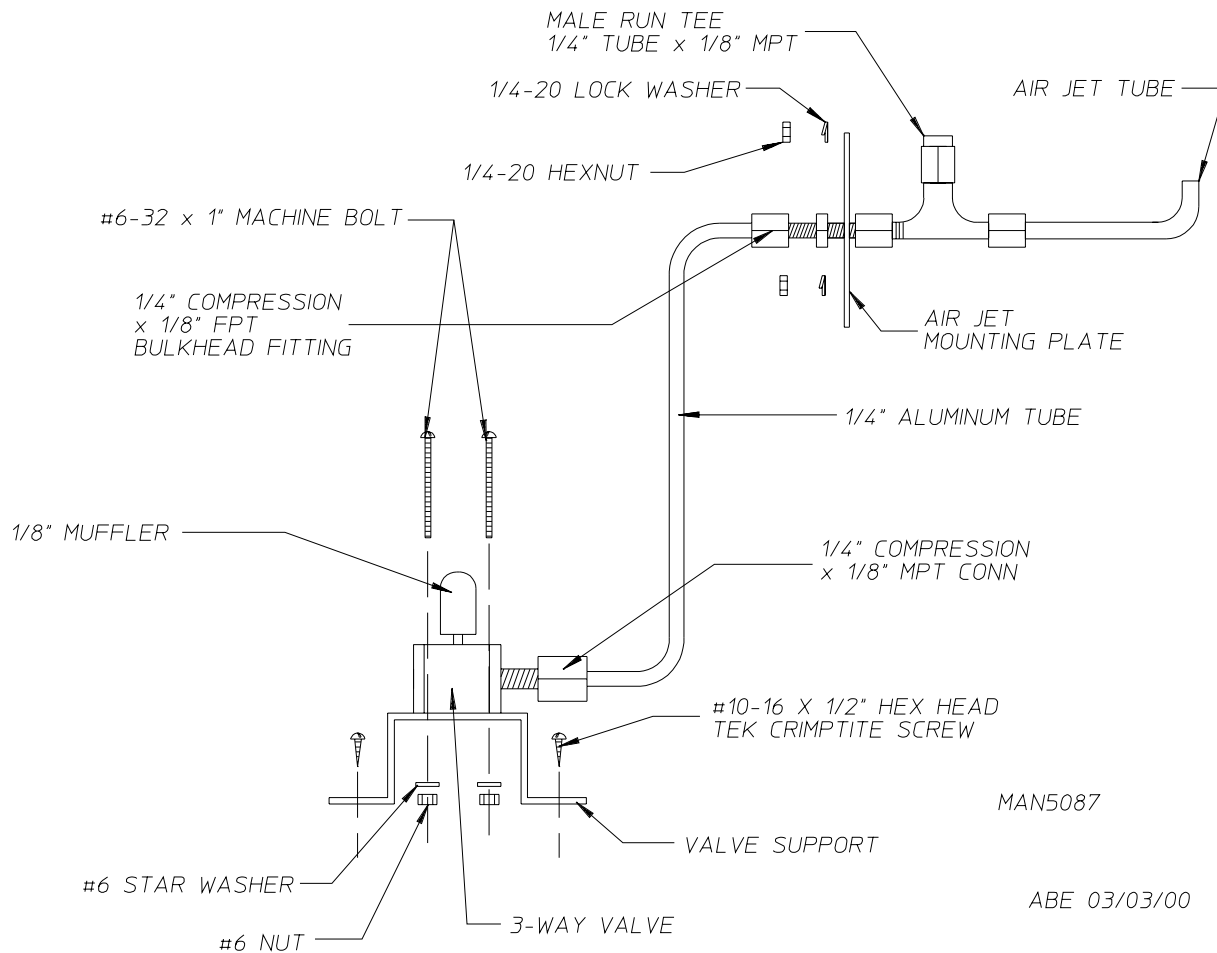
1. Air Jet Assembly Description

The AD-200 air jet assembly is located in the left front base of the dryer. The air jet is designed to operate at the end of *each cycle* for 30-seconds, to remove lint which may have accumulated on the blower (impellor) fan blades. This function will be interrupted if the main door or lint drawer is opened before the air jet cycle is complete.

2. Air Jet Component Replacement

a. 3-Way Pressure Valve Replacement - 24 VAC

AIR JET ASSEMBLY WITH PNEUMATIC VALVE

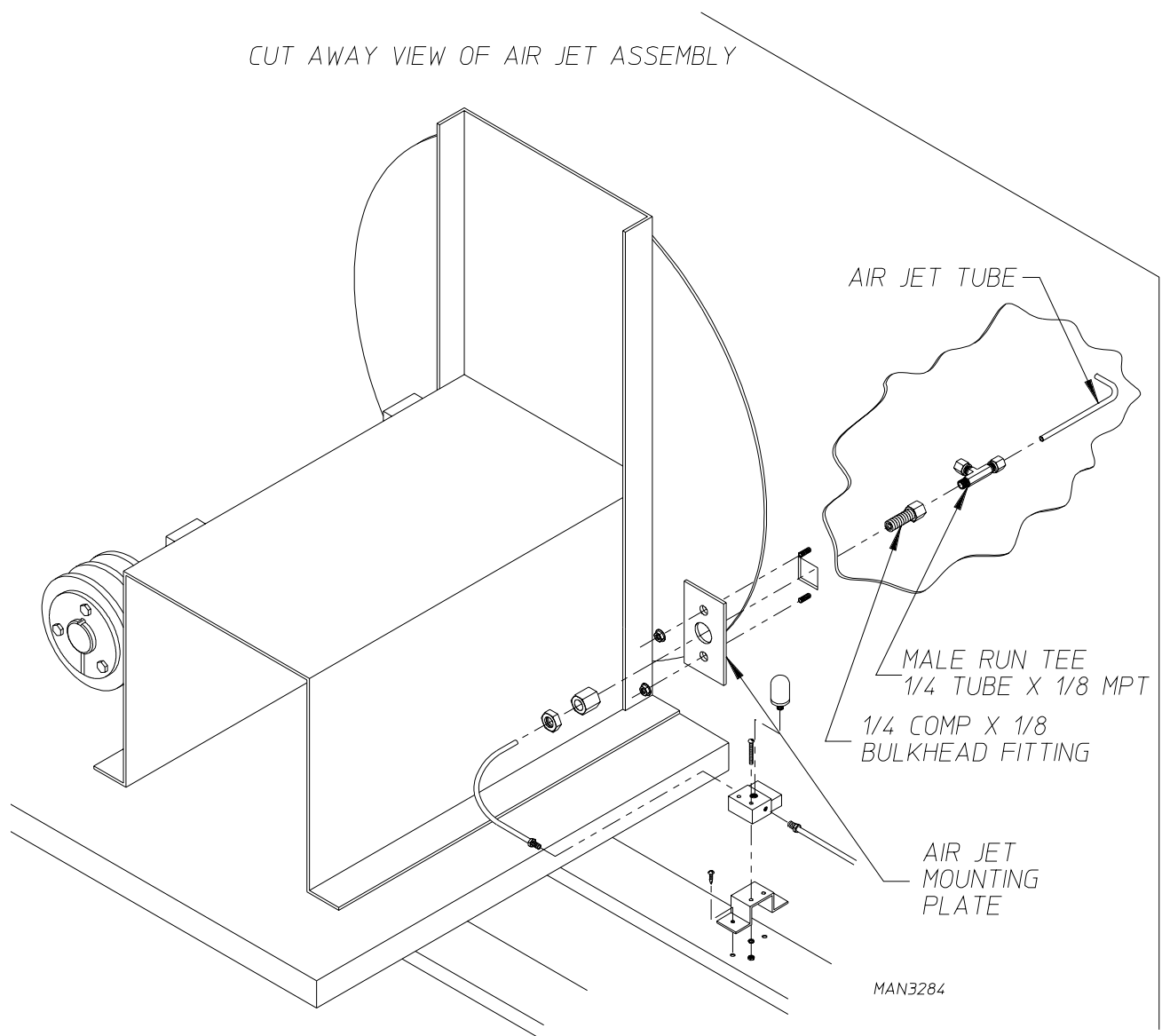


- 1) Disconnect compressed air supply from the dryer.
- 2) Discontinue electrical power to the dryer.
- 3) Remove the 1/4" x 1/8" M.P.T. connection from the 3-way pressure valve body.
- 4) Remove the two (2) #10-16 x 1/2" crimplite TEK screws.

- 5) Remove the valve support.
- 6) Remove the two (2) #6-32 x 1" hex head machine bolts by removing the two (2) #6 hex nuts and the two (2) #6 star washers.
- 7) To install new air jet assembly, reverse above procedure (*Step #5 thru Step #1*).

b. Pneumatic Valve Muffler Replacement

- 1) Disconnect compressed air supply from the dryer.
- 2) Remove damaged or nonfunctional muffler (silencer) from valve body.
- 3) Replace muffler (silencer) by threading into valve body (snug fit).



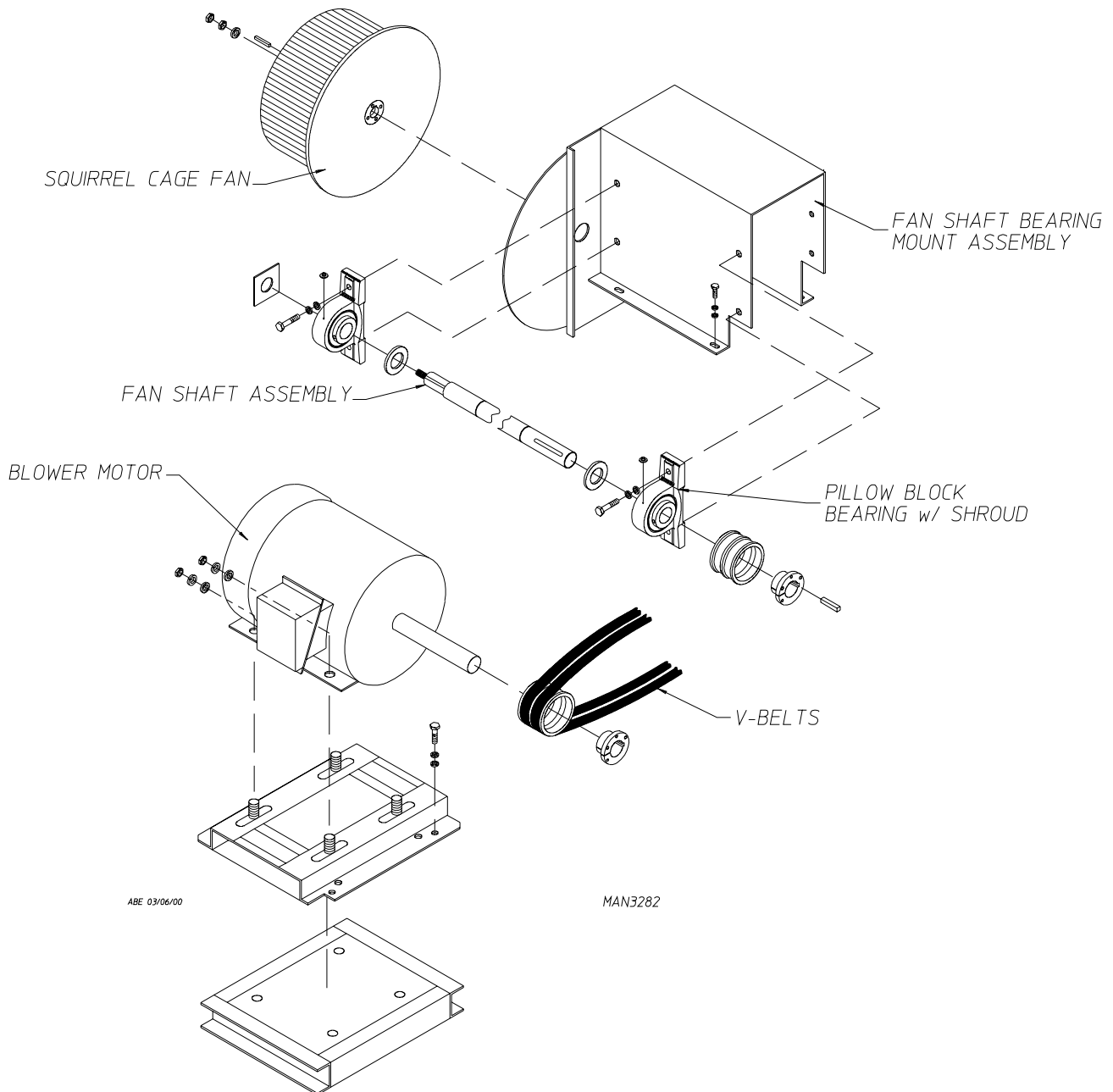
H. BLOWER (Squirrel Cage Fan) MOTOR ASSEMBLY

1. Blower (Squirrel Cage) Motor Description

The AD-200 uses a 15-inch (38.1 cm) diameter, blower (squirrel cage fan) wheel. It spins (turns) in a counterclockwise (CCW) direction when looking at the back of the blower housing.

The blower (squirrel cage fan) shaft is mounted in two (2) 1-3/8" (3.5 cm) diameter pillow block bearings, and the shaft is driven by two (2) B-section V-belts connected to the blower motor.

The blower (drive) motor is mounted on an adjustable base. The motor position can be easily adjusted so that the proper tension can be maintained on the V-belts.

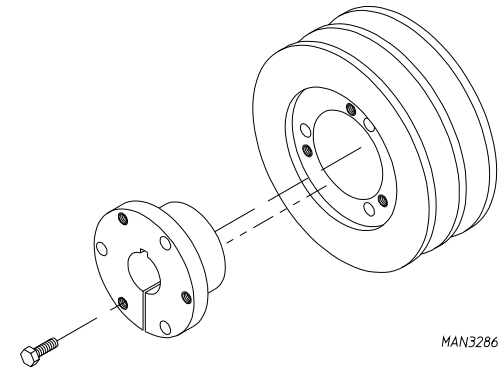


2. Blower (squirrel cage fan) and Fan Motor Component Replacement

a. Blower (squirrel cage fan) Motor Replacement

- 1) Discontinue electrical power to the dryer.
- 2) Mark and identify the wires that will be removed for proper reinstallation.
- 3) Loosen the bolts from the motor to the motor base...
 - a) Slide the blower (squirrel cage fan) motor forward.
 - b) Remove the V-belts.
 - c) Remove loosened bolts.
- 4) Remove the bolts from the bushing.
- 5) Insert bolts into the threaded holes.
- 6) Tighten the bolts evenly for motor pulley removal.

PULLEY REMOVAL

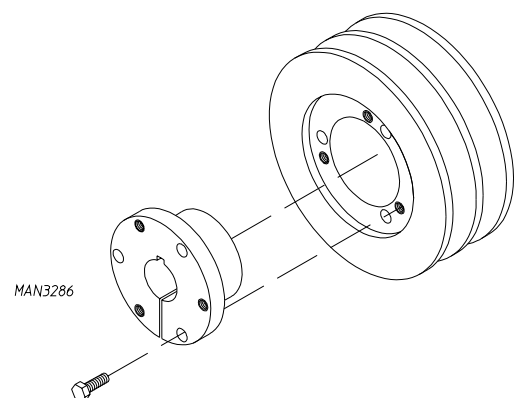


- 7) Mark the inside of the motor's shaft before removing the bushing.
- 8) Loosen the set screws on the bushing.
- 9) Remove the bushing.
- 10) Measure the mark on the shaft (from **Step #7**) to the end of the shaft and mark the new motor's shaft.
- 11) Slide the motor pulley on to the new blower (squirrel cage fan) motor's shaft.
- 12) Slide the bushing on to the shaft until the inside of the bushing meets the mark (from **Step #11**) on the new motor's shaft.
- 13) Tighten and secure the set screws on the bushing.

PULLEY INSTALLATION

- 14) Insert bolts into the large holes on the bushing and thread them into the motor pulley.
- 15) Tighten the bolts *evenly* for motor pulley installation.
- 16) Align the pulleys.
- 17) Tighten (hand tight only) the bolts from the new motor to the motor base...

Leave enough movement for V-belt adjustment.



18) Replace the V-belts...

- a) Adjust to proper tension by adjusting position of the new blower (squirrel cage fan) motor.
- b) Align the V-belts.

19) Tighten and secure the new motor to the motor base.

20) Rewire the new blower (squirrel cage fan) motor in the same order as the wiring from the motor that was removed.

A wiring diagram is usually affixed to the side of the motor.

21) Reestablish electrical power to the dryer.

b. Pillow Block Bearing with Shroud Replacement

1) Discontinue electrical power to the dryer.

2) Remove the bolts securing the blower (squirrel cage fan) motor.

- a) Slide the blower (squirrel cage fan) motor forward.

3) Remove the V-belts from the motor pulley and the pulley on the fan (blower) shaft assembly.

4) Move the blower (squirrel cage fan) motor so as to be able to remove the fan (blower) shaft bearing mount assembly.

5) Remove the bolts securing the blower (squirrel cage fan) shaft bearing mount assembly.

- a) Slide the fan shaft assembly with the fan (squirrel cage fan) backwards.

6) Remove the two (2) left hand jam nuts and the washer.

7) Remove the blower (squirrel cage fan) and the 1/4" x 1/4" x 1-3/4" (6.35 mm x 6.35 mm x 4.45 cm) key.

8) Remove the four (4) bolts securing the pillow block bearing with shroud.

9) Remove the squirrel cage fan shaft assembly from the squirrel cage fan shaft bearing mount assembly...

- a) Remove the pillow block on the squirrel cage fan side of the fan shaft by loosening the set screws on the pillow block bearing.

10) To remove the pillow block bearing on the pulley side of the fan shaft the pulley **must be** removed first...

- a) Remove the bolts from the bushing.

- b) Insert bolts into the threaded holes.

- c) Mark the inside of the motor shaft before removing the bushing.

- d) Loosen the set screws on the bushing.
 - e) Remove the bushing and the pulley.
- 11) Remove the pillow block bearing with shroud by removing the set screw.
- 12) Replace the pillow block bearing with shroud on to the fan shaft...
- a) Secure the fan (blower) shaft bearing mount assembly.
 - b) Tighten and secure the set screws in the pillow block bearing with shroud.

NOTE: Make certain that the squirrel cage fan (impellor/blower) can spin freely.

- 13) Reinstall the bushing and the pulley.
- a) Line up the bushing to the mark on the motor shaft and tighten and secure the set screw.
 - b) Reinstall the bolts into the original holes and tighten evenly for correct pulley installation.
- 14) Reposition the blower (squirrel cage fan) motor to its original position...
- a) Tighten (hand tight only) the bolts into the motor and the motor base.
 - b) Slide the blower (squirrel cage fan) motor forward.

Align the pulleys before installing the V-belts.

IMPORTANT: *DO NOT OVERTIGHTEN V-BELTS.*

- 15) When V-belts are properly tensioned, tighten and secure the motor to the motor base.
- 16) Reestablish electrical power to the dryer.
- c. Squirrel Cage Fan (impellor) Replacement
- 1) Discontinue electrical power to the dryer.
 - 2) Remove the bolts securing the blower (squirrel cage fan) motor.
 - 3) Remove the V-belts.
 - 4) Slide the blower (squirrel cage fan) motor to the side.
 - 5) Remove the bolts from the blower (squirrel cage fan) shaft bearing mount assembly.
 - a) Slide the blower (squirrel cage fan) shaft bearing mount assembly backwards.
 - 6) Remove the two (2) left hand jam nuts and the washer.

- 7) Remove the 1/4" x 1/4" x 1-3/4" (6.35 mm x 6.35 mm x 4.45 cm) key on the blower (squirrel cage fan) shaft.
 - a) Slide the blower (squirrel cage fan) off of the shaft.

NOTE: Install this 1/4" x 1/4" x 1-3/4" (6.35 mm x 6.35 mm x 4.45 cm) key to the fan shaft before installing the new blower (squirrel cage fan).

- 8) To install blower (new squirrel cage fan), reverse above procedure (*Step #6 thru Step #1*).

d. V-Belt Replacement

- 1) Discontinue electrical power to the dryer.
- 2) Loosen the bolts securing the blower (squirrel cage fan) motor.
 - a) Ease off on the tension bolt.
- 3) Slide the blower (squirrel cage fan) motor forward.
- 4) Remove and replace V-belts.
- 5) Tighten and secure the tension bolt.

IMPORTANT: *DO NOT OVERTIGHTEN V-BELTS.*

- 6) Using a straight edge, make certain that the motor pulley and V-belts are aligned straight.
- 7) Tighten and secure bolts from motor to motor base.
- 8) Reestablish electrical power to the dryer.

e. Fan (impellor) Shaft Replacement

The procedure to replace the Fan Shaft is the same procedure used to replace the Pillow Block Bearing with Shroud (refer to [page 62](#) and [page 63](#)).

3. Blower (squirrel cage fan) Electrical Components

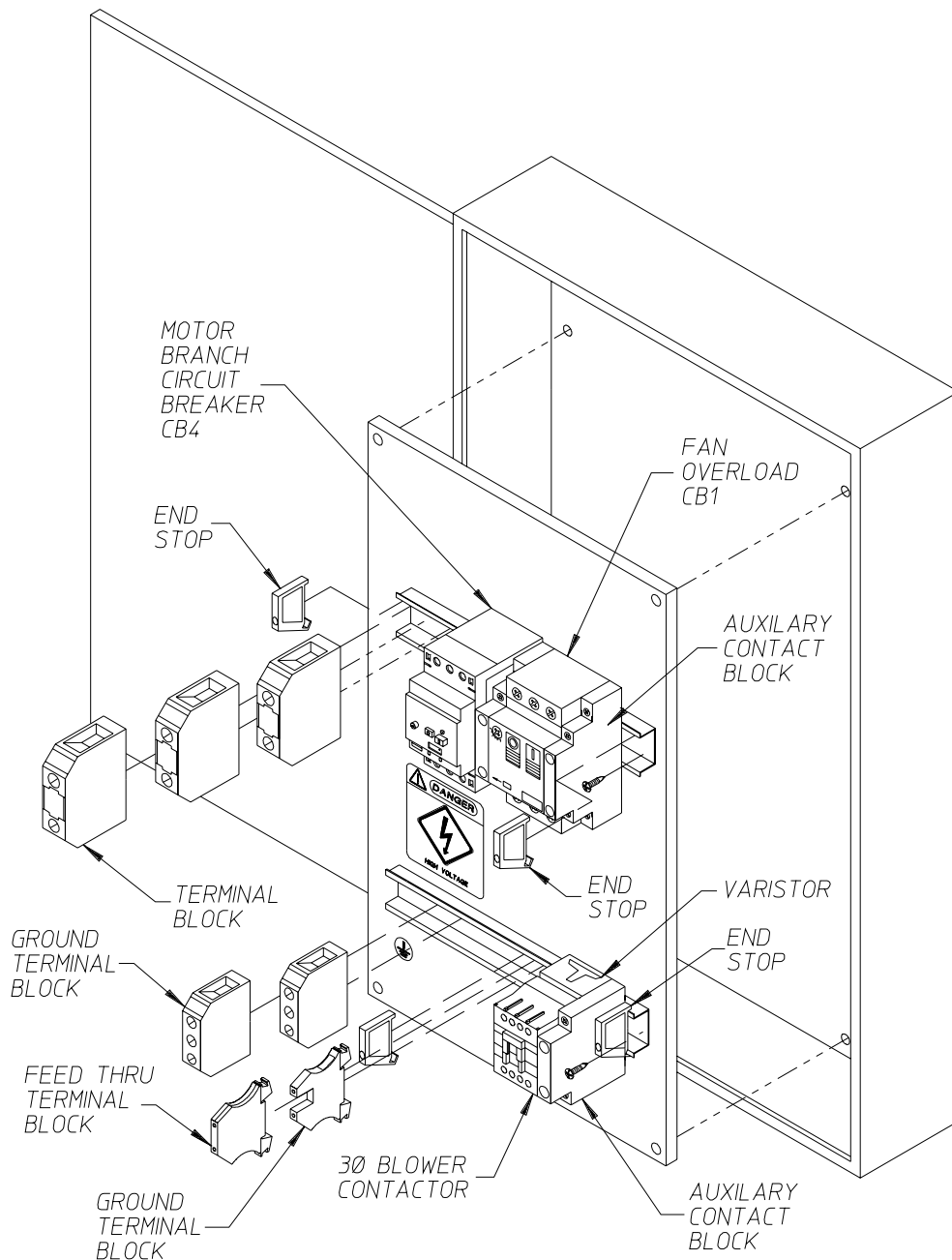
a. Blower (squirrel cage fan) Controls and Overloads

- 1) Thermal Magnetic Starter (TMS)

The thermal magnetic starter is used as a *safety device* to protect the motor from starting in a locked rotor condition. The overload has a dial setting on the face of the device. To set the overload, refer to your specific electrical diagrams. The overload is specifically designed for motor applications. It has a current curve built into it so the initial high current draw by the motor will not trip the overload. On the face of the overload, there are two (2) push buttons - "START" (Black or Tan - 1) and "STOP" (Red - 0) - the overload **has to be** in the "START" mode for the motor to run.

a) Thermal Magnetic Starter (TMS) Replacement

- (1) Discontinue electrical power to the dryer.
- (2) Mark L1, L2, L3, and T1, T2, T3 on the wires to the TMS for correct replacement.
- (3) Set the amp rating on the TMS according to the manufacturer's electrical schematic on the new thermal magnetic starter.
- (4) To remove the thermal magnetic starter, pull the tab on the bottom and lift upward.
- (5) To install new thermal magnetic starter, reverse above procedure (*Step #4 thru Step #1*).



DMG 01/24/00

MAN4966

2) Auxiliary Contact Block

The Auxiliary Contact Block is mounted on the side of the overload. Its function is to sense an overload trip, thereby triggering a safety fault which will disable the drying cycle. A “Overload Fault” message will appear on the L.E.D. (light emitting diode) display on the Phase 7 microprocessor controller (computer).

a) Auxiliary Contact Block Replacement

- (1) Discontinue electrical power to the dryer.
- (2) Remove the Thermal Magnetic Starter (TMS) from the din rail by pulling the tab on the bottom of the contact block and lifting upward.
- (3) Remove the two (2) wires going to the auxiliary contact block and label for correct reinstallation.
- (4) There are two (2) types of auxiliary contact blocks...one with a screw and the other with a clip...

To remove the style with the screw from the thermal magnetic starter simply remove the screw.

To remove the style with a clip simply push in the clip and remove.

- (5) To install new auxiliary contact block, reverse above procedure (*Step #4 thru Step #1*).

3) Varistor (MOV [Metal Oxide Varistor])

The Varistor - is used to suppress any inductive electrical spikes produced by the energizing and collapsing of the coil voltage.

a) Varistor Replacement

- (1) Discontinue electrical power to the dryer.
- (2) Loosen the screws marked A1 and A2 on the contactor.
- (3) Remove the varistor.
- (4) Verify that no additional wires were inadvertently removed.
- (5) Reverse procedure to install new varistor.

I. FILTER/REGULATOR ASSEMBLY

The purpose of the filter is to remove bulk liquids and solid particles from the compressed air stream. The filter element provides mechanical separation of solids. Centrifugal force inside the filter bowl separates bulk liquids and larger solid particles.

The filter consists of a louver which causes a centrifugal spinning action to separate contaminants. A filter which mechanically separates contaminants is also present. The filter bowl collects the contaminants and a baffle prevents turbulence from picking up contaminants at the bottom of the bowl and returning them to the air stream.

1. Filter Maintenance

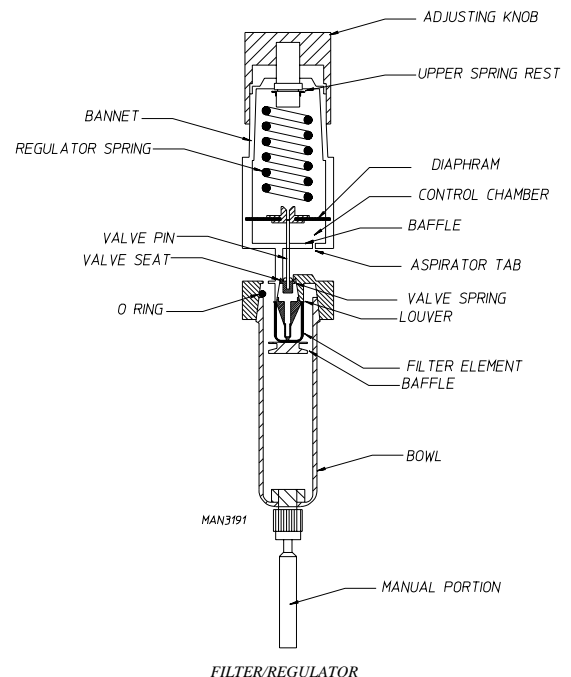
a. To remove filter element...

Twist the filter bowl 1/8 turn clockwise (CW). Then pull the bowl down to expose the filter element. To remove the filter element, unscrew the baffle (this will allow element removal).

b. To clean filter element...

The filter element can be cleaned with soap and water.

NOTE: When replacing the filter element bowl, care *must be* taken to ensure that the O-ring *does not* get pinched.



2. Regulator Operation

The adjustment knob simply acts upon a spring rest located on the spring and directly compresses the spring as it is adjusted. A non-rising low torque adjustment screw is used on this type of filter and regulator. The upper spring rest is located on top of the regulator spring and transmits force from the adjustment screw to the spring. Regulators use simple wire coil springs for controlling the downstream regulator pressure. The bonnet houses the adjustment spring and is used to help retain the diaphragm. The diaphragm moves up when the downstream pressure reaches its preset pressure level, which in turn closes the valve. A self-relieving regulator is designed to automatically relieve overpressure in the secondary side of the regulator.

NOTE: THIS SELF-RELIEVING FEATURE **IS NOT** DESIGNED TO BLEED THE DOWNSTREAM PRESSURE.

Dryer must be provided with a clean, dry, regulated 80 PSI +/- 10 PSI (5.51 bars +/- 0.68 bars) air supply (equivalent volume = 9 cfh [.26 cmh]).

The regulator **should be** set at 80 PSI +/- 10 PSI (5.51 bars +/- 0.68 bars). To set pressure, pull the adjusting knob up and either turn the knob clockwise (CW) to increase the pressure or counterclockwise (CCW) to decrease the pressure.

J. DOOR SYSTEMS

The AD-200 utilizes two (2) styles of doors, which are Manual Doors and Pneumatic Automatic Doors.

1. Manual Door Description

The Manual Doors run on a single aluminum track with a wheel assembly mounted above the doors and a channel with teflon strips mounted on the bottom of the doors...

- a. For dryers manufactured as of October 19, 1999, there are trolley bolts located at the top of the doors to secure the doors onto the track.

In the center portion on the top of the doors there is a magnet used in conjunction with proximity sensors which are mounted above the doors.

2. Pneumatic Automatic Description/Operation

a. Description

The Pneumatic Automatic Doors run on a single aluminum track mounted above the doors and a split track mounted on the bottom of the doors. The doors are held on the track by four (4) stainless steel wheel assemblies; two (2) are located on the top of the doors and two (2) are located on the bottom of the doors. Additionally, in the center portion on the top of the doors there is a magnet used in conjunction with proximity sensors which are mounted above the doors.

b. Operation

There are two (2) 1" bore x 18-3/8" stroke cable cylinders attached to the top of the doors to pneumatically open and close the doors. When air is applied into the outside ports of these cable cylinders the doors will open. If air is applied into the inside ports of these cable cylinders the doors will close. On each of the four (4) ports is a flow control valve used for adjusting the opening and closing speeds of the doors. These flow controls only vary the speed in the exhaust direction. Air to the cable cylinders is supplied through a 4-way valve. When 24 VAC is applied to the valve, the doors open...if no power is applied, the doors close. A 3-way valve is used to supply air to the 4-way valve.

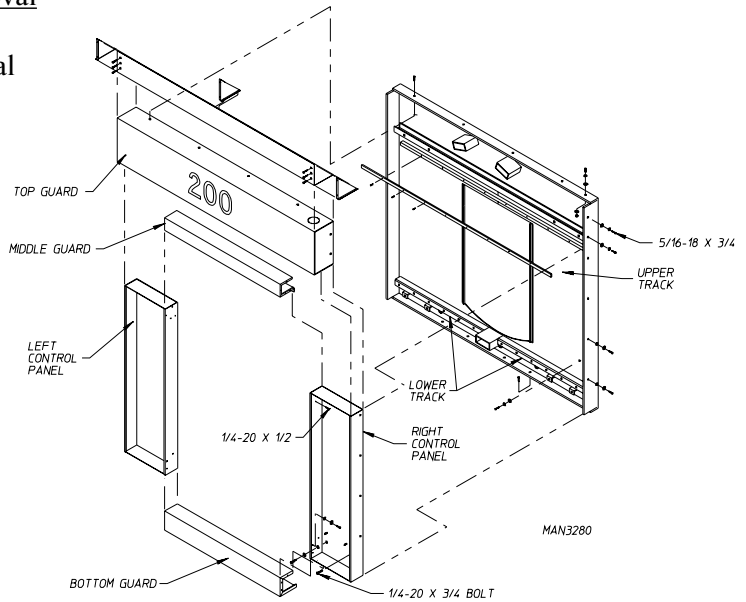
If the "EMERGENCY STOP" (E-Stop) is engaged, the air is automatically exhausted so that the doors can be opened manually.

- 1) In a 2-Door application, there are two (2) additional cable cylinders a 4-way valve added for the operation of the rear doors.

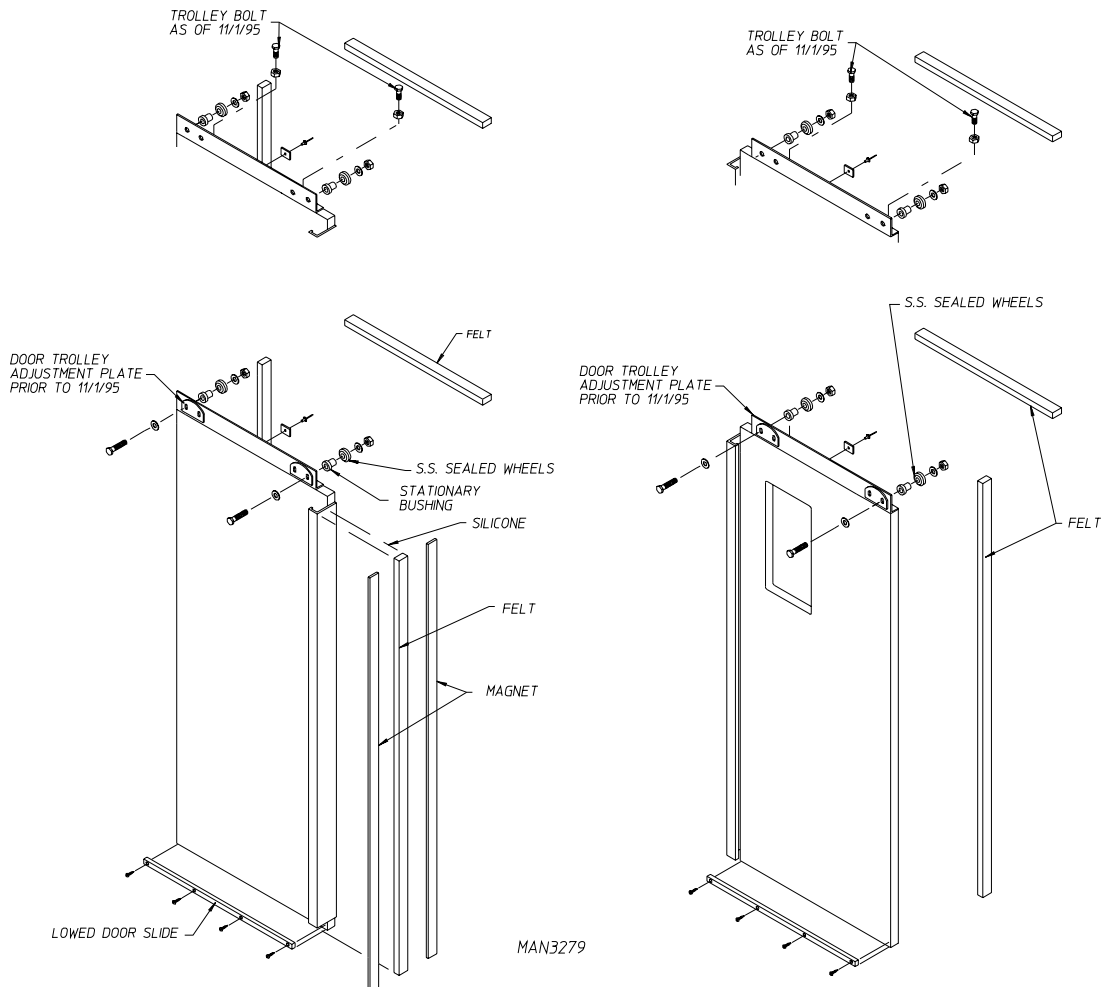
3. Door Component Replacement and Removal

a. Manual Door Replacement or Removal

- 1) Discontinue electrical power to the dryer.
- 2) Remove the two (2) 1/4-20 x 1/2" bolts from each side of the middle guard and then remove the guard.
- 3) Loosen the jam nut and screw down the trolley adjustment bolts.
- 4) Lift the door(s) off of the track(s) and remove.
- 5) To install new manual door(s) or to reinstall manual door(s), reverse above procedure (**Step #3 thru Step #1**).

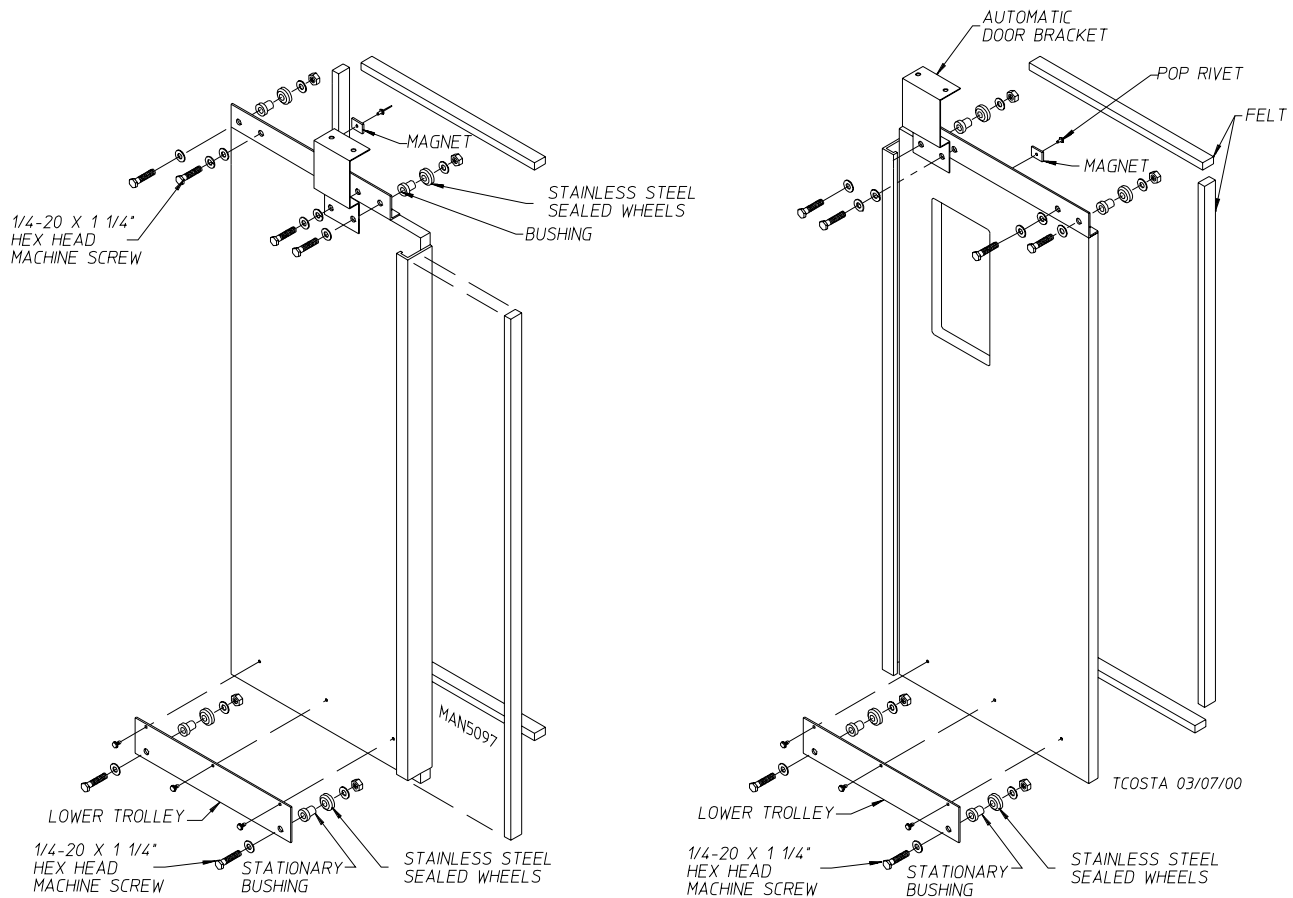


MANUAL DOORS



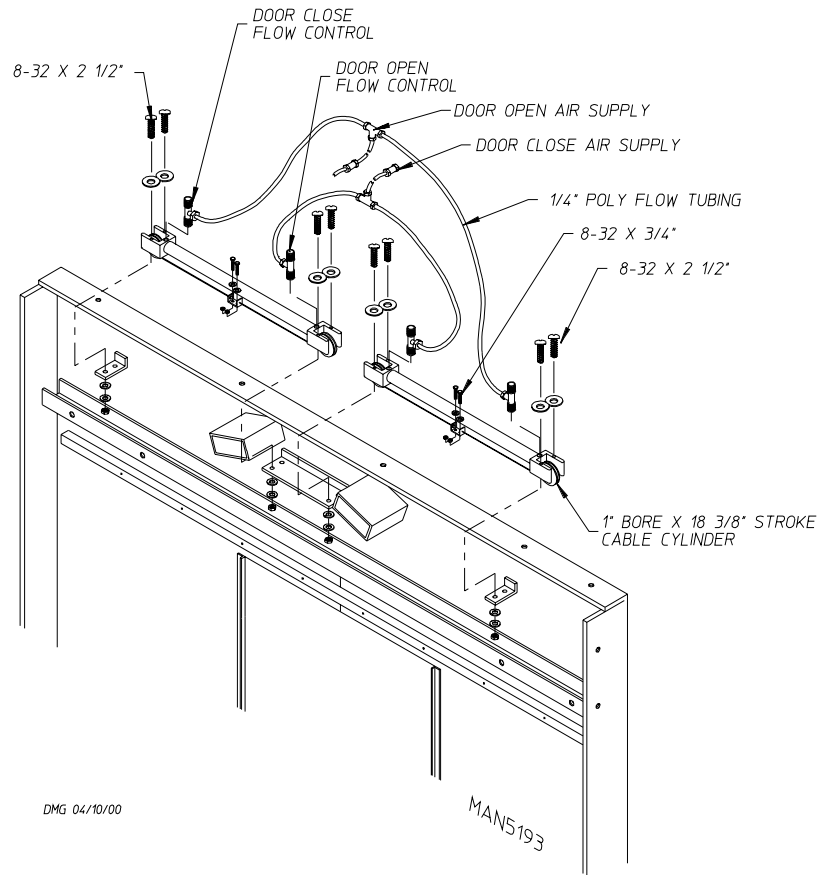
b. Pneumatic Automatic Door Replacement or Removal

AUTOMATIC DOORS



- 1) Discontinue electrical power to the dryer.
- 2) Remove the two (2) 1/4-20 x 1/2" bolts from each side of the middle guard and then remove the guard.
- 3) Remove the three (3) 1/4-20 x 3/4" bolts from the bottom guard.
Remove the bottom guard.
- 4) Remove the two (2) #8-32 x 3/4" screws on each door that connect/attach the cable cylinder to the door.
- 5) Remove the two (2) 1/4-20 x 1-1/4" hex head machine screws that hold the wheels on...
 - a) Take notice of the Wheel Assembly configuration.
- 6) Lift the doors off of the track and remove.
- 7) To install new pneumatic automatic doors or to reinstall pneumatic automatic doors, reverse above procedure (**Step #6 thru Step #1**).

c. Cable Cylinder Replacement or Removal



- 1) Discontinue electrical power to the dryer.
- 2) Remove the two (2) 1/4-20 x 1/2" bolts from each side of the middle guard. (Refer to the **illustration** on **page 69**.)

Remove the middle guard.
- 3) Disconnect the cables in the top of the electrical panel.
- 4) Remove the hardware from the top guard.

Remove the top guard.
- 5) Remove the two (2) #8-32 x 3/4" screws on each door that attach the cable cylinder to the door.
- 6) Remove the four (4) #8-32 x 2-1/2" screws that hold each cable cylinder.
- 7) Remove the flow control valve...
 - a) The flow control valve has a quick disconnect on the poly-flo tubing side...

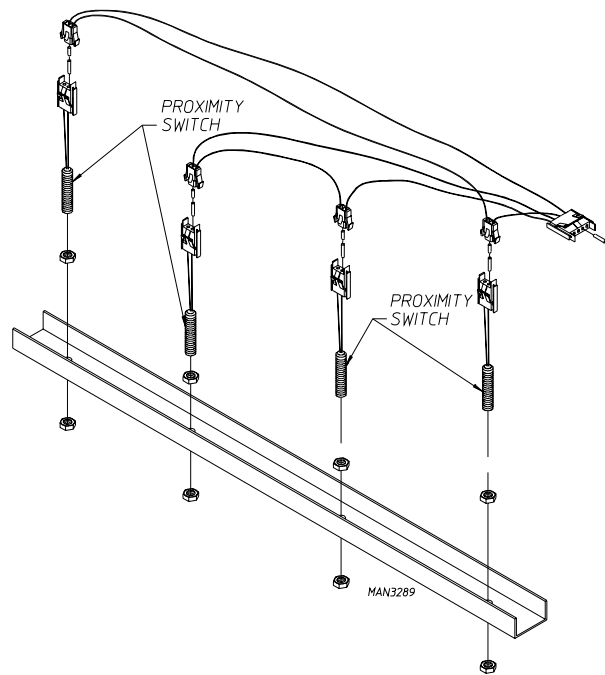
Push the tubing in while holding in then pull the tubing out.
- 8) To install new cable cylinder(s) or reinstall cable cylinder(s), reverse above procedure (**Step #7 thru Step #1**).

d. Proximity Switch Replacement

- 1) Discontinue electrical power to the dryer.
- 2) Remove the two (2) 1/4-20 x 1/2" bolts from each side of the middle guard and then remove the guard.
- 3) Remove the three (3) 1/4-20 x 3/4" bolts from the bottom guard.

Take notice of the depth of the proximity switch.

- 4) Unscrew and remove the nut that is on the bottom of the proximity switch.
- 5) Install new proximity switch.
- 6) Set gap between the proximity switch and the magnet at 3/16" (4.7625 mm) +/- 1/32" (0.79248 mm).
- 7) Reinstall middle guard and secure with the bolts removed in *Step #2*.
- 8) Reestablish electrical power to the dryer.

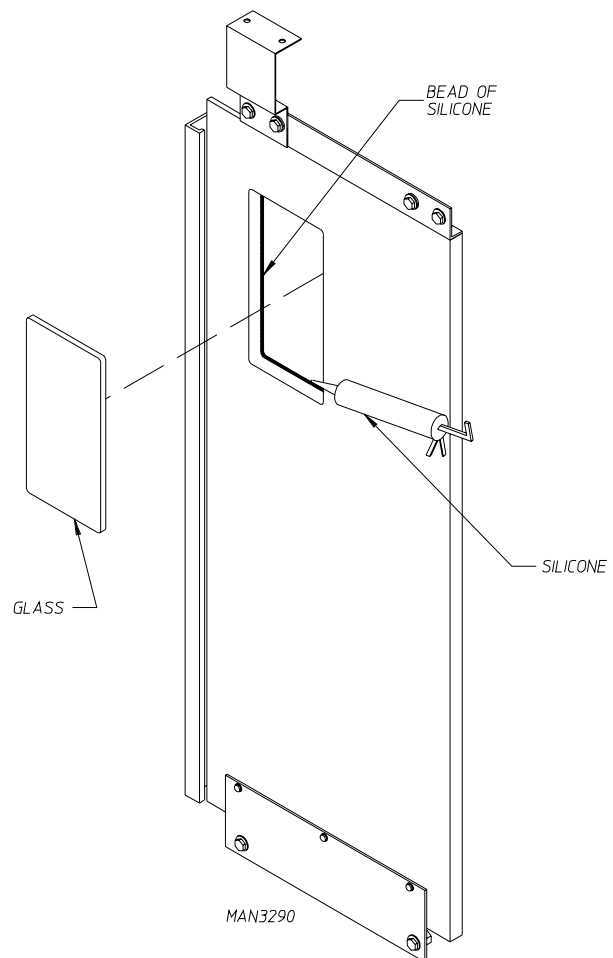


e. Right Load Door Glass (Window) Replacement

- 1) Remove **ALL** of the old silicone from around the door glass.
- 2) Clean glass door opening (with alcohol) to remove **ALL** foreign residue.
- 3) Carefully clean new door glass with alcohol prior to installation.
- 4) Apply a bead of silicone (**ADC Part No. 170730**) to the outer perimeter of the door glass opening.

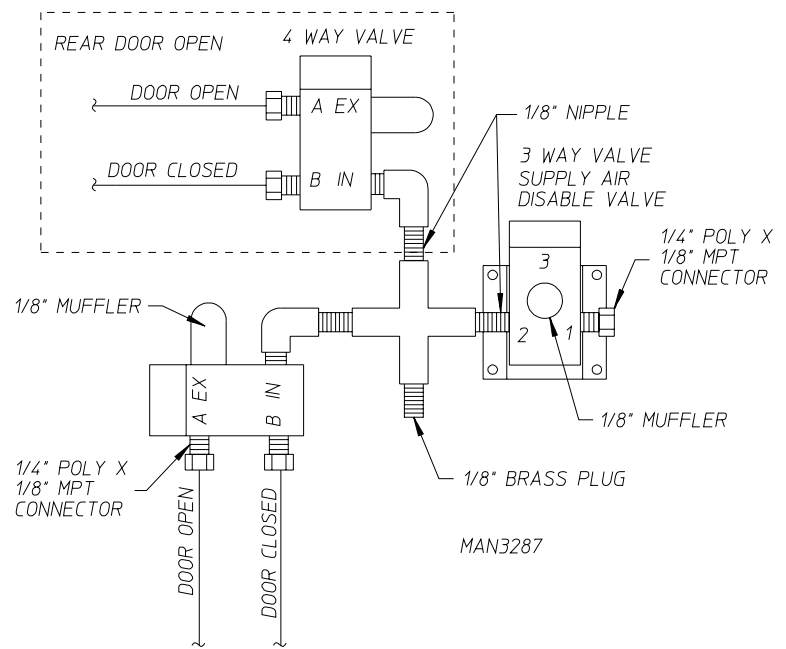
Carefully insert new door glass within door glass opening.

- 5) Allow a full 72 hours for the silicone to cure.
- 6) Trim excess silicone (with razor blade) after cure time.



f. 4-Way Valve, and 3-Way Valve and Supply Air Disable Valve Replacement

- 1) Discontinue electrical power to the dryer.
- 2) Disconnect compressed air supply from the dryer.
- 3) Remove the 1/4-20 self-tapping screws securing the pneumatic panel cover.
- 4) Remove the two (2) 1/4-20 screws securing the junction box cover.
- 5) Loosen the cord grip cap that the valve wire go through.
- 6) Loosen the appropriate wire on the terminal strip.



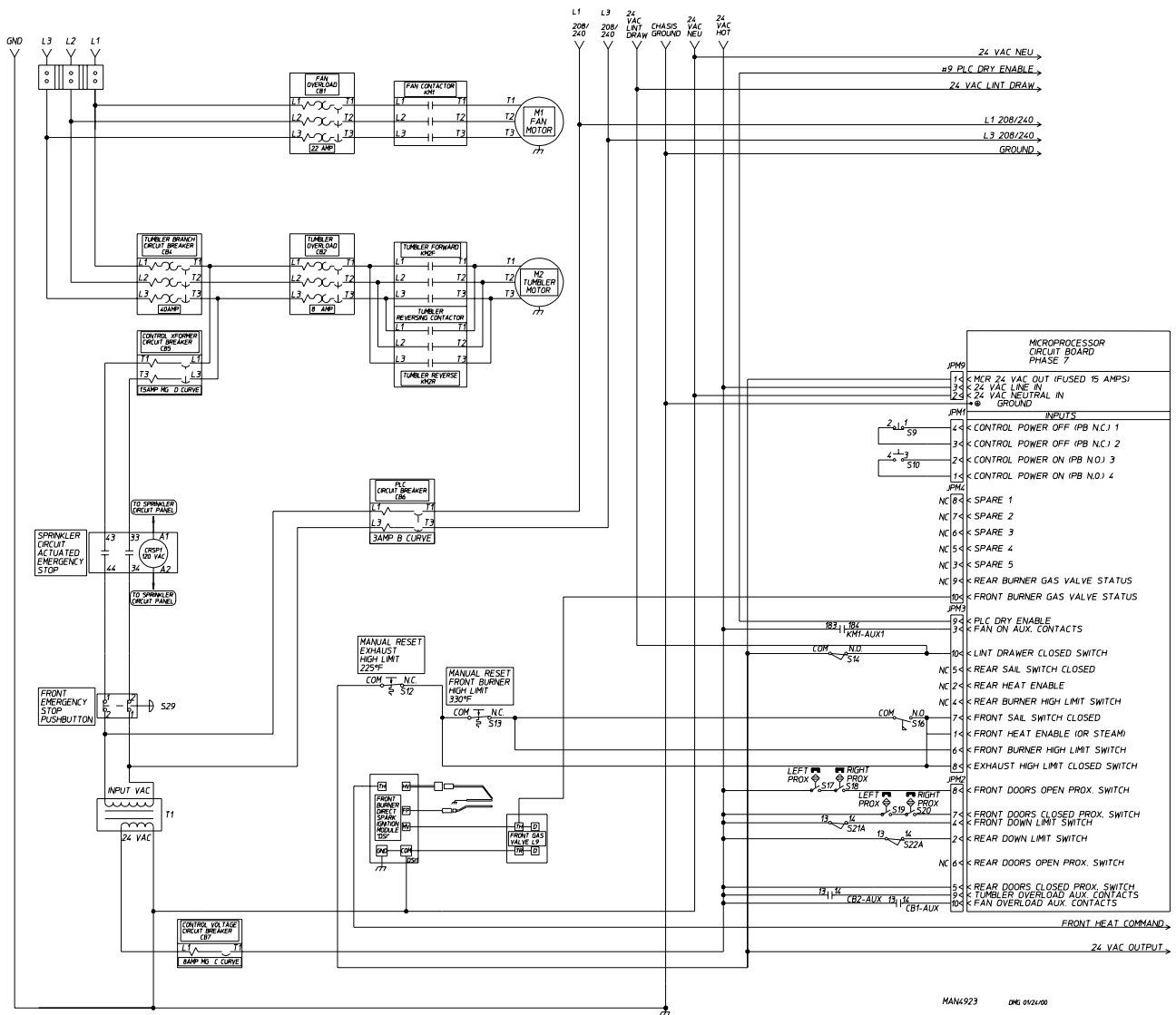
Identify these wires and make note of their placement.

- 7) Loosen the bolts holding the assembly to the pneumatic panel.

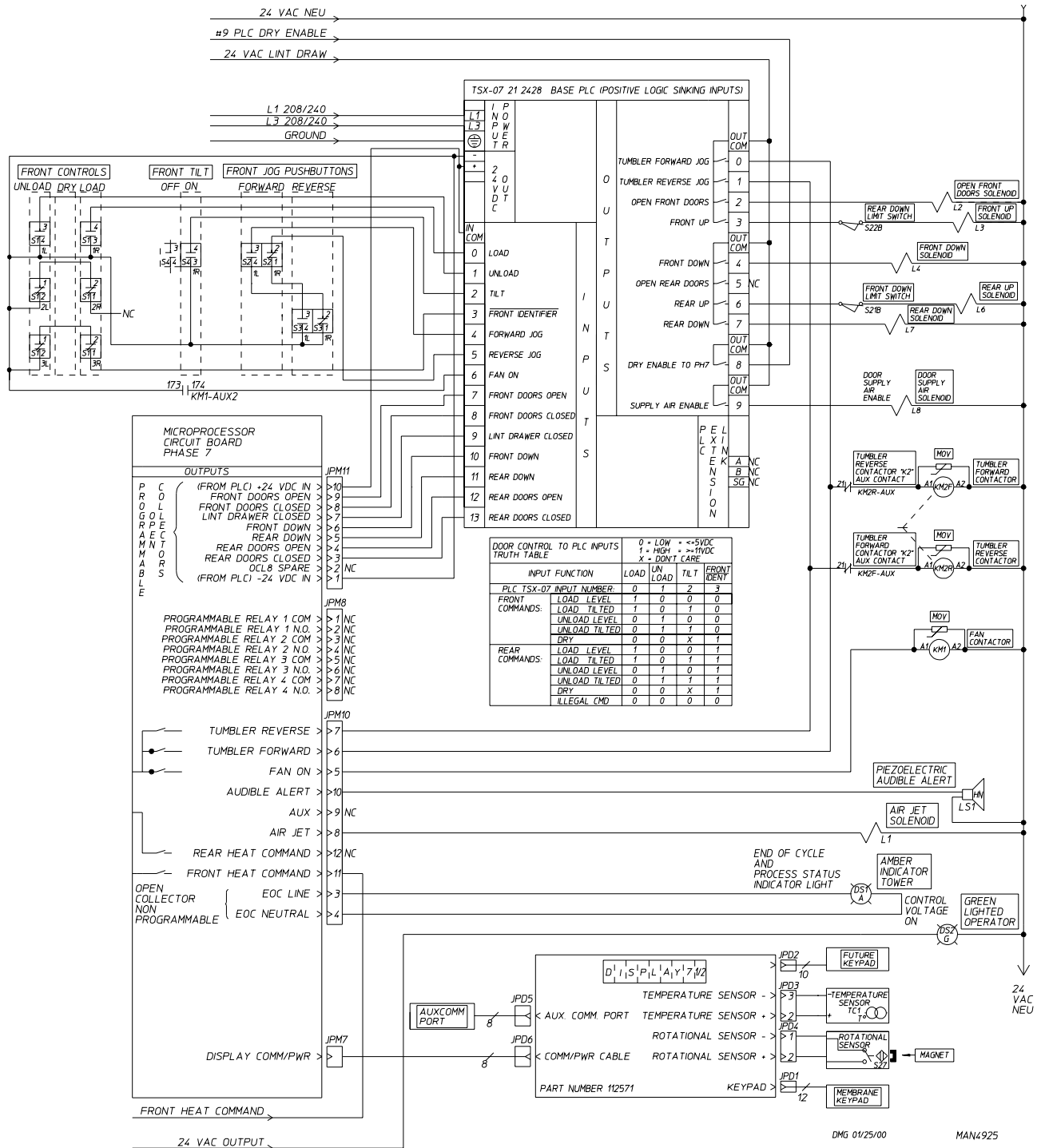
(For 3-way valve/supply air disable valve replacement proceed to **Step #13.**)
- 8) Remove the two (2) 1/4" (6.35 mm) poly compression fittings (door open - door close).
- 9) Remove the two (2) 1/4" (6.35 mm) poly x 1/8" M.P.T. connectors from the valve body.
- 10) Twist/remove the 4-way valve body off of the 1/8" (3.175 mm) street elbow.
- 11) Remove the muffler (silencer) off of the valve body.
- 12) To install new 4-way valve, reverse above procedure (**Step #11 thru Step #1**).
- 13) Remove the 1/4" (6.35 mm) poly compression fitting.
- 14) Remove the 3-way valve and supply air, disable the valve from the 1/8" M.P.T. nipple.
- 15) Remove the muffler (silencer) off of the valve body.
- 16) To install new 3-way valve and supply air disable valve, reverse (**Step #15, 14, 13, and Step #7 thru Step #1**).

K. CONTROL and ELECTRICAL SYSTEM

Ladder Diagram



MAN923 DWG 01/21/00



CAUTION: When servicing the HIGH VOLTAGE section of the dryer, the ELECTRICAL POWER *MUST BE* DISABLED. THE “EMERGENCY STOP” (E-Stop) BUTTON *DOES NOT* DISABLE THE HIGH VOLTAGE TO THE DRYER.

1. Control/Electrical System Description

a. 3-Phase (3 ϕ) Electrical Power

The 3-phase (3 ϕ) electrical power for the dryer enters the dryer through the power distribution block located in the dryer base electrical box. It is then distributed to the blower (impellor/fan) motor, drive (tumbler/basket) motor, and transfer circuits.

1) Blower (squirrel cage fan) Motor

The Blower (squirrel cage fan) Motor circuit consists of a blower motor thermal magnetic overload. The overload current is adjustable by a dial located on the face of the overload. (Refer to the electrical specification diagram for correct current setting.)

Attached to the thermal magnetic starter is an auxiliary contact used to sense an overload trip. This produces a safety error so the dryer service is disabled (the dryer will not start).

In series with the thermal magnetic overload is the blower motor contactor. This device enables the supply voltage to reach the blower (squirrel cage fan) motor. The blower motor contactor is controlled by the Phase 7 microprocessor controller (computer). (Refer to **Section b-1** on **page 78** for microprocessor [computer] information.) When 24 VAC is applied to coil A1-A2, the contactor closes and enables the circuit.

The blower (squirrel cage fan) motor used for ADG-200 gas model dryers is 7-1/2 HP (5.6 kw) and for ADS-200 steam model dryers is 15 HP (11.2 kw). The motor wiring configuration is dependent on the specific voltage of the dryer. When wiring the motor, refer to the motor nameplate.

2) Drive (tumbler and basket) Motor

The Drive (tumbler and basket) Motor converts the 3-phase (3 ϕ) power source entering the drive motor thermal magnetic overload. The overload current is adjustable by a dial located on the face of the overload. (Refer to the electrical specification diagram for correct current setting.) In this circuit, the drive motor contactor follows the thermal magnetic overload.

The drive motor has two (2) separate sets of coils and two (2) separate sets of contacts. One (1) of these sets is for forward tumbler (basket and drum) rotation and the other for reverse tumbler (basket and drum) rotation. The thermal magnetic overloads and the contactors are located in the left hand electrical cabinet. The direction of the drive motor is determined by the phases going into the motor (i.e., in a reverse direction phase, L1 and L2 are switched). When viewing this contactor, the left hand block connections are for the forward rotation direction (clockwise [CW]) when viewed from the front of the dryer.

The drive (tumbler and basket) motor is a 3 HP (2.24 kw) motor. Refer to the motor nameplate for specific terminal box wiring.

3) 24 VAC Transformer

The 24 VAC transformer consists of CB5 (Circuit Breaker) which is the primary fusing for the transformer. For the proper rating of this circuit breaker refer to the specific electric diagram. The transformer is located in the right hand electrical cabinet.

Dryer models with an *optional* Sprinkler System have an energizing stop relay which will disable the dryer functions (shut the dryer down) in the event of a fire. **IF THE SPRINKLER SYSTEM IS NOT ENERGIZED (POWERED) THE DRYER WILL NOT OPERATE.** The Energizing Stop Push Button is located on the front right electrical panel. On 2-Door models this Energizing Stop Push Button is located on the right rear side of the electrical panel (when viewed from the rear).

On dryer models manufactured for 208 volt or 240 volt electrical power, the voltage for the Programmable Logic Controller (PLC) is supplied from the primary side of the 24 VAC transformer. On dryers that are manufactured for 380 volts and higher, there is an additional secondary 240 VAC on the transformer that is used to supply the voltage required to operate Programmable Logic Controller (PLC) through CB6 (Circuit Breaker).

4) 24 VAC Control Circuit

The secondary side of the 24 VAC transformer supplies 24 VAC to various control circuits through CB7 (Circuit Breaker) circuit breaker amperage (rating) is dependent on the voltage that the dryer was manufactured with.

The first circuit is the control voltage on/off. Control voltage (24 VAC) goes through the “Master Off” (normally closed) switch and supplies voltage to the “Master On” (normally open) switch. When the “Master On” switch is momentarily engaged, the master control relay (MCR) engages. If the power is interrupted or the “Master Off” switch is pressed the MCR will disengage.

For dryers manufactured with Automatic Doors - the purpose of the supply air is to relieve pressure on the automatic door pistons when an “EMERGENCY STOP” (E-Stop) is engaged.

5) Safety Circuits

The following circuit branches are to verify various safeties, if **ALL** conditions are met...

a) The first two (2) items are the Auxiliary Contact located on the blower (squirrel cage fan) motor and the Tumbler (Basket) Motor Overload. If either of these devices trip, it will open up the safety circuit thereby preventing the dryer from operating.

b) Front Doors Closed circuit branch.

There are two (2) magnetic proximity switches mounted in the door closed position and a magnet mounted on top of the doors. When this magnet aligns with the proximity switch, the contacts in the proximity switch close. When both doors are closed, the FDRC (front doors closed) L.E.D. (light emitting diode) is on.

c) Dryer Level Switches circuit branch...

(1) On 1-Way Tilt models, this switch is in series with the dry enable.

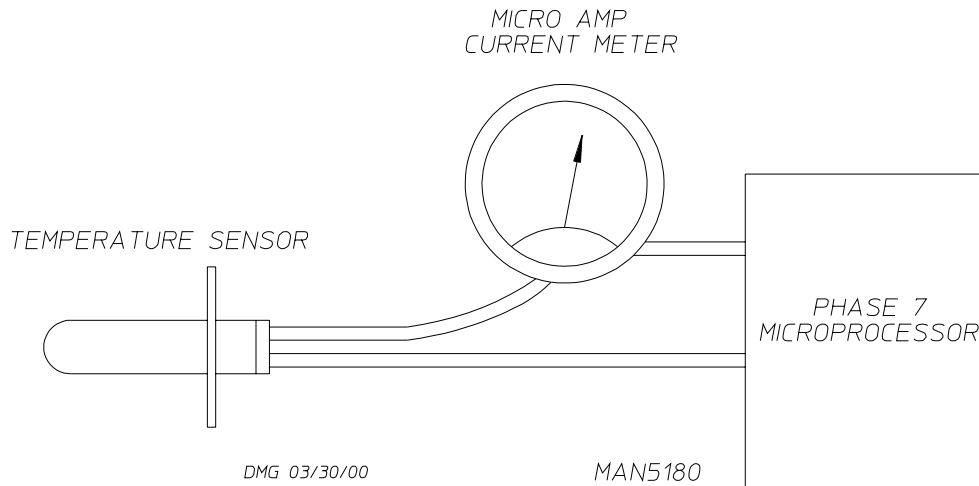
(2) On 2-Way Tilt models...one (1) pole of each of the two (2) level switches (LS1-A and LS2-A) are in series with the dryer level relay and the other pole is in series with the opposite piston. IF THE OPPOSITE SIDE **IS NOT** LEVEL, THE DRYER **WILL NOT** TILT.

d) Lint Drawer Closed circuit branch...

The lint drawer closed switch is located in the front of the dryer. When the lint drawer is closed, it closes the switch contacts, powering the lint drawer closed relay. Then, the dry enable relay will close, supplying 24 VAC to the TSX 07 PLC. When the lint drawer is closed, the lint drawer L.E.D. (light emitting diode) is on.

b. Phase 7 Microprocessor Controller (computer)

- 1) The temperature sensor probe is a bullet shaped device that is located above the lint basket. This temperature probe is used to sense the temperature in the exhaust of the dryer. The temperature sensor is a two (2) terminal monolithic integrated circuit temperature transducer that provides an output current proportional to absolute temperature. The transducer acts as a high impedance temperature dependent current source of $1\mu\text{A}/^\circ\text{K}$. The typical accuracy of this probe is $\pm 1.5^\circ\text{C}$ ($\pm 2.7^\circ\text{F}$). In a case where the temperature reaches 220°F (104°C), the Phase 7 microprocessor (computer) will shut down and the L.E.D. (light emitting diode) will display “Exhaust High Temp Fault.” To restart a cycle the “CLEAR/STOP” button **must first be** pressed.



$$^\circ\text{F} = \frac{9}{5} (^\circ\text{C} + 32)$$

$$^\circ\text{C} = \frac{5}{9} (^\circ\text{F} - 32)$$

$$\text{TEMPERATURE SENSOR CURRENT} = \frac{^\circ\text{C} + ^\circ\text{K} (273.15)}{1,000,000} = \text{MICROAMPS } (\mu\text{A})$$

To check a temp sensor you first need a DMM (Digital Multimeter) with a diode check position. Put the meter on diode check, place the red lead of the meter on the black lead of the temp sensor and the black lead of the meter on the white temp. sensor wire. At this point you should get no response from meter (infinite). If you get a reading the temp sensor is defective.

Next reverse leads to temp sensor black to black and red to white. At that point you'll measure approximately 1.8 amps this is the turn on voltage of the device. If you hold the temp sensor in your hands and warm it the reading will decrease corresponding to a higher current flow (the decrease is very slight tenths of a volt).

- 2) The Rotational Sensor is a magnetic proximity switch that is mounted on the tumbler (basket) wrapper on the left side of the dryer. There is a magnet mounted to the side of the tumbler (basket). After each rotation of the tumbler (basket), the magnet passes by the proximity switch causing the contacts to close and pulse the Phase 7 microprocessor controller (computer). Whenever the magnet is over the proximity switch there **should be** contact closure.

When a drying cycle is started, the blower (fan and impellor) output switches on putting 24 VAC on the blower (fan and impellor) contactor coil, which in turn pulls in the contactor starting the blower motor turning. Through the contactor relay this also triggers an input signal to the PLC (Programmable Logic Controller) disabling the tilting function. Moments later, the tumbler (basket and drum) begins to rotate because the output turns on thereby pulling in the tumbler (basket and drum) forward contactor. Next, the Heat "On/Off" output will turn on if there is a call for heat, suppling 24 VAC to the heat circuit through the safety circuits.

- a) The first safety circuit is the Manual Reset Exhaust Hi-Limit which is located on the bracket above the lint basket with the temperature sensor. On a temperature rise of 225° F (107° C) or higher, the thermal switch opens breaking the heat circuit.
- b) A second safety circuit is the Manual Reset Burner Hi-Limit Switch located on the side of the burner. On a temperature rise of 330° F (166° C) or higher, the thermal switch opens breaking the heat circuit, this switch **must be** manually reset.
- c) A third safety circuit is the Sail Switch which is attached to the front of the burner box. This device pulls in when the impellor (fan and blower) is operating correctly and verifies proper airflow.

If **ALL** the safeties are properly maintained, 24 VAC will enable the Direct Spark Ignition (DSI) Module and a try for ignition begins. The DSI module induces a spark (at the spark electrode) and then opens (energizes) the gas valve for 8-seconds attempting to light the burner. If after 8-seconds the burner does not light off DSI module will go into a "LOCKOUT" Mode (the gas valve will be de-energized and the spark will be removed from the ignitor) and will not try to light the burner again until power is again cycled to the DSI module. If the spark produces a flame then a microamp signal is created between the flame-probe and ground which in turn will keep the burner on. The Heat "On or Off" output cycles the heat unless there is a fault at a safety sensor. At the end of a cycle the air jet output turns on to clean off the impellor fan. The audio alert output energizes the 24 VAC Audio Alert horn mounted on the right door, the end of cycle output energizes the 24 VAC End of Cycle light found on the top of the front panel.

b. PLC (Programmable Logic Controller)

- 1) The PLC (Programmable Logic Controller) can consist of one (1) or two (2) modules; a main module and in some cases an expansion module is used for additional inputs and outputs.

NOTE: The information listed on **page 80** is generic in nature, refer to blueprints for specific details.

- a) The PLC (Programmable Logic Controller) module has thirteen (13) input relays which are labeled #0 through #13 and nine (9) output relays labeled #0 through #9.

(1) Input Relays

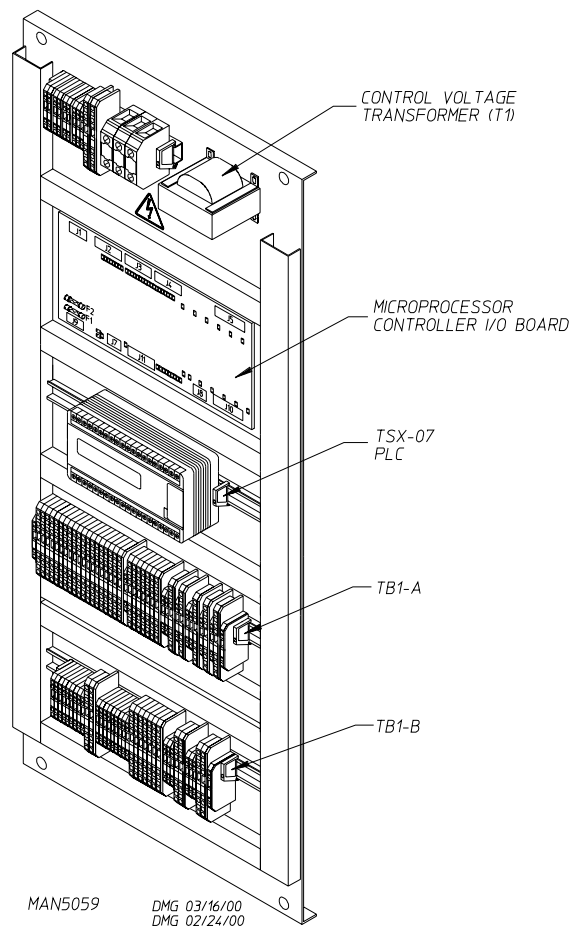
Input relays #0, #1, #2, and #3 are set up as user inputs to signal what specific function is to be performed (i.e., load, unload, tilt, and front identifier). These input relays are charted as 1 and 0 (*1* is logic on and *0* is logic off). When either an input relay or an output relay is on, the appropriate L.E.D. (light emitting diode) on the PLC will be illuminated.

For input relay #7 to turn on, the left and right front doors **must be** completely open. Once these doors are completely open, the jog forward (input #5) and jog reverse (input #6) can turn on through the PLC which in turn rotates the tumbler (basket and drum) through either output relay #0 or output relay #1 providing the lint door is closed. This interlock is performed through PLC input #9 (lint door closed), or in some cases the drive or blower overload may interrupt the 24 VAC signal from reaching the drive contactors and the tilting solenoids.

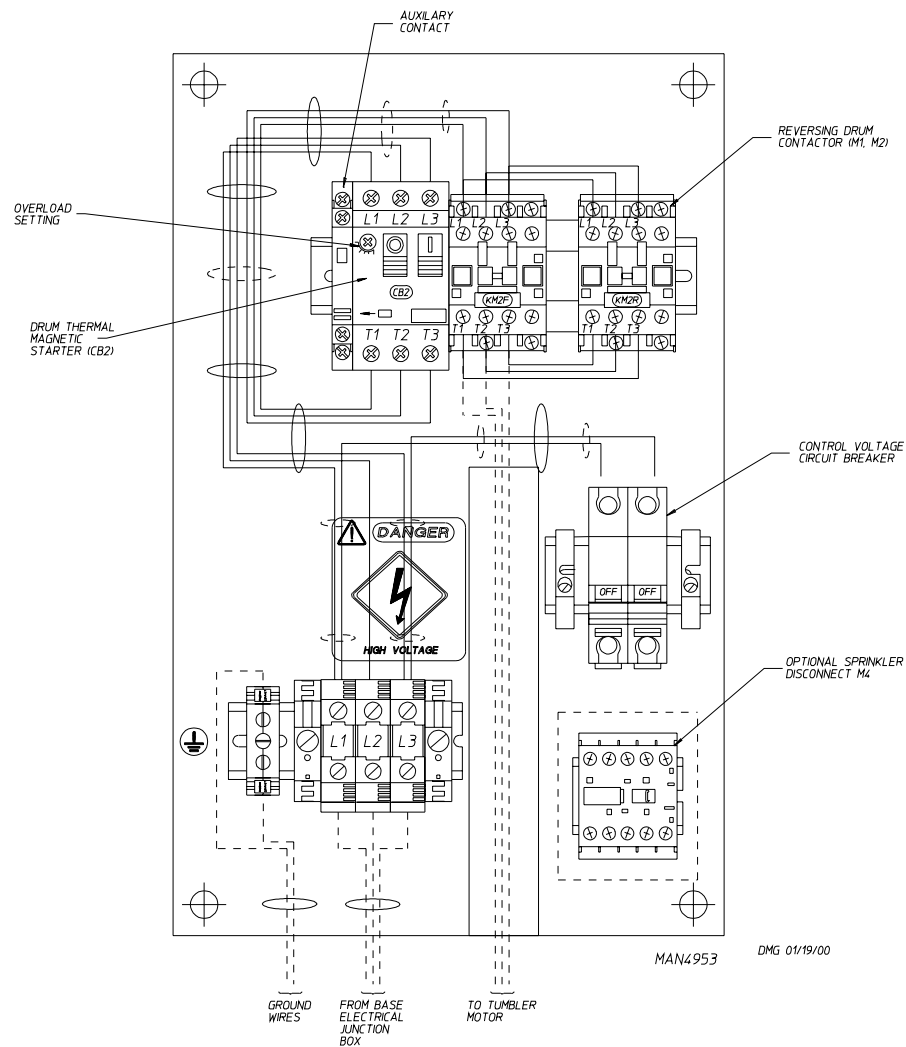
(2) Output Relays

Output relay #2 controls the open front door function. When this signal is energized, the pneumatic valve opens allowing air into the two (2) door cable cylinders, which in turn opens the front doors.

Output relay #0 (drive forward) and output relay #1 (drive reverse) are used to perform jog functions.

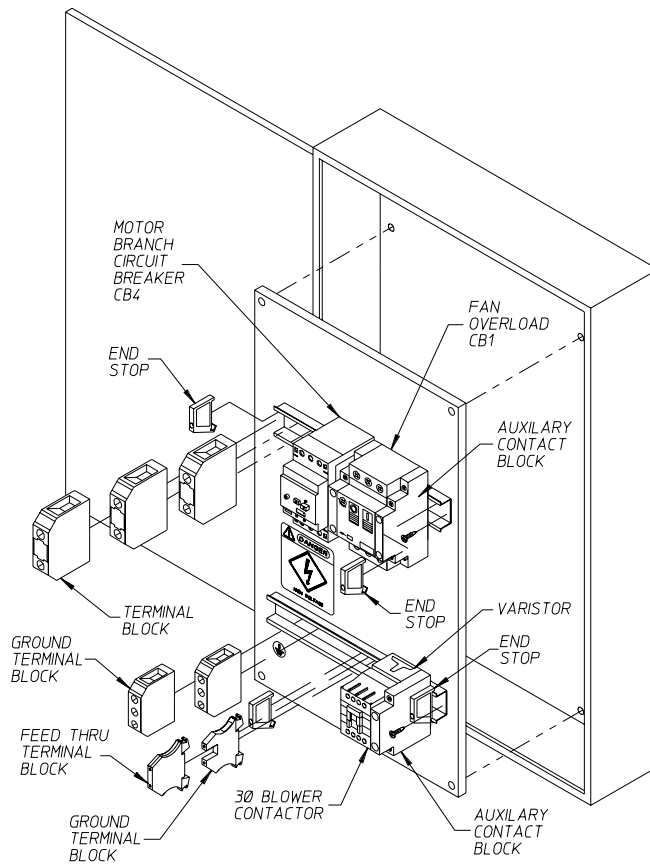


2. Electrical Component Replacement

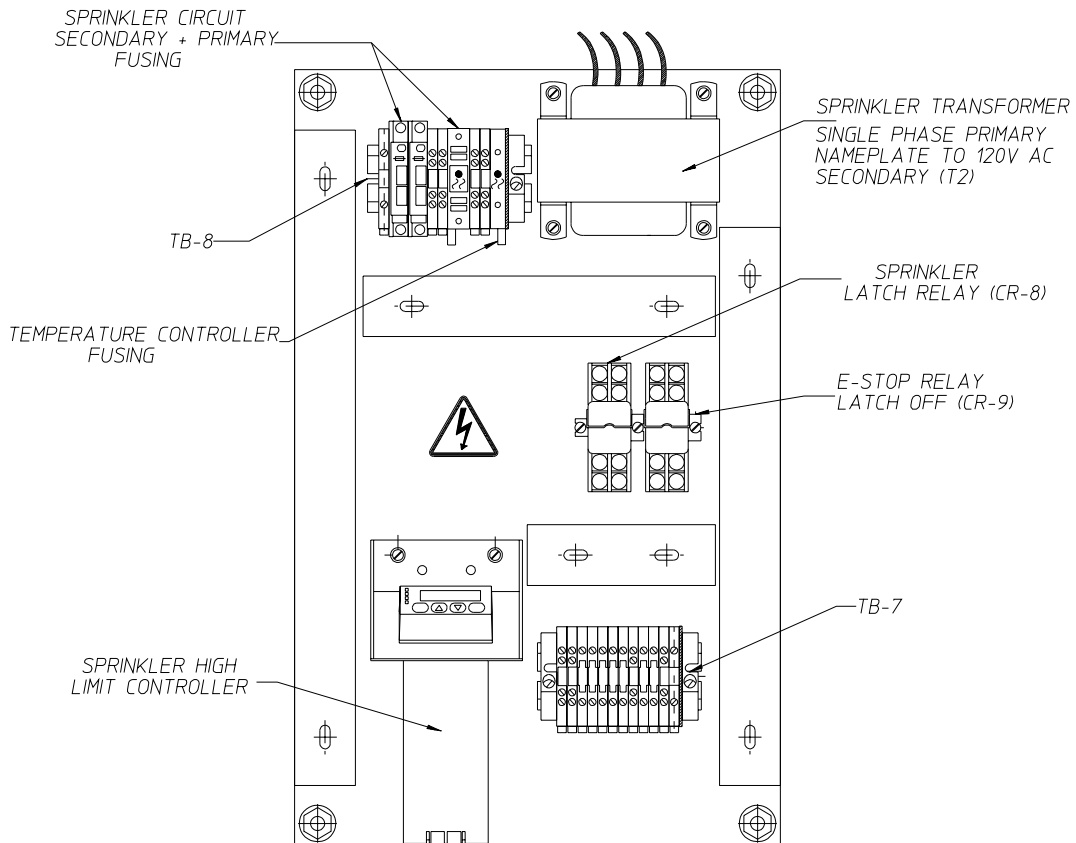


a. Control Voltage Transformer Replacement (refer to the **illustration** on **page 83**)

- 1) Discontinue electrical power to the dryer.
- 2) Locate the correct schematic for the specific change(s) required and verify the wiring of the transformer using the schematic.
- 3) Verify the voltage of the new transformer.
- 4) Loosen and then remove the four (4) wires for a 208-230/240 VAC dryer or the six (6) wires for a 380 VAC (and higher) dryer from terminal block #3 (TB3).
- 5) Remove the four (4) screws securing the transformer, then remove the transformer itself.
- 6) To install new transformer reverse above steps (**Step #5 thru Step #2**).
- 7) Reestablish electrical power to the dryer.



DMG 01/24/00 MAN4966



MAN3442

b. PLC (Programmable Logic Controller) Replacement

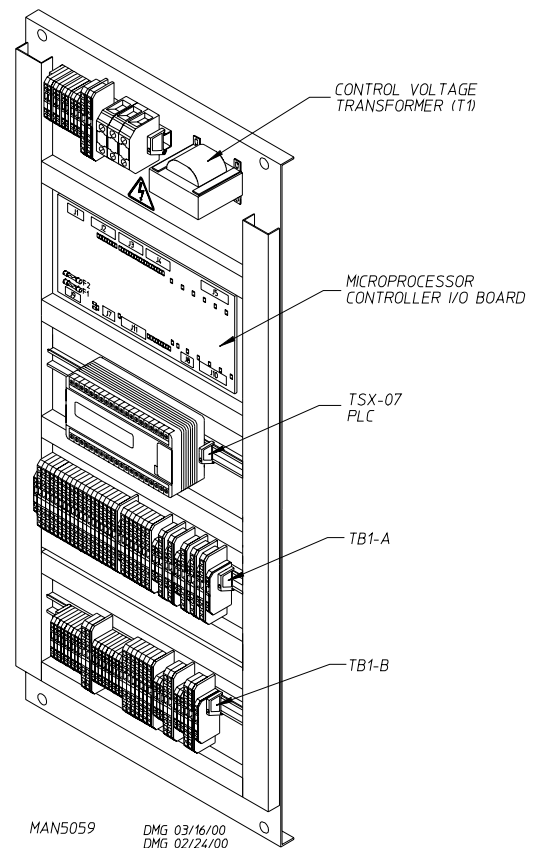
- 1) Discontinue electrical power to the dryer.
- 2) Mark and identify the wires that will be removed for proper reinstallation.
- 3) To remove the PLC from the mounting rail, using a screwdriver, very carefully pull out the mounting clip on the bottom of the PLC and lift the unit out of the rail.
- 4) To replace the PLC, push in the top of the PLC into the rail and then snap in the bottom of the unit.
- 5) Replace the wires removed in *Step #2*.
- 6) Reestablish electrical power to the dryer.

c. Phase 7 Microprocessor Controller (computer) Display Board Replacement

- 1) Discontinue electrical power to the dryer.
- 2) Carefully unplug JPD3 connector, the JPD4 connector, and the keyboard (touchpad) ribbon cable.
- 3) Disconnect the common connector power cable (JPD6).
- 4) Loosen and remove the two (2) screws securing the Phase 7 microprocessor (computer) display board and then remove the computer from the door.
- 5) To install new Phase 7 microprocessor (computer) display board, reverse *Step #4 thru Step #1*.

d. Phase 7 Microprocessor Controller (computer) I/O (Input/Output) Board Replacement

- 1) Discontinue electrical power to the dryer.
- 2) Carefully unplug the connectors from JPM9, JPM7, JPM11, JPM8, JPM10, JPM1, JPM2, JPM3 and, JPM4. Stamped on the microprocessor controller (computer) I/O (input/output) board.
- 3) Remove the five (5) Phillips head screws securing the I/O (input/output) board to the control panel.
- 4) Carefully remove the I/O (input/output) board from the two (2) stand offs.

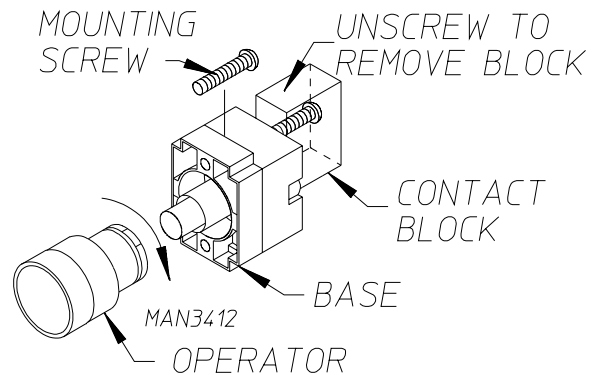


NOTE: For replacement of the new I/O (input/output) board it is IMPORTANT TO HANDLE WITH CARE TO AVOID ANY ELECTRICAL SHOCKS. DAMAGE MAY OCCUR. PROPER STATIC PRECAUTIONS SHOULD BE TAKEN.

- 5) To install new Microprocessor Controller (computer) I/O (input/output) board, reverse **Step #4 thru Step #1**.
- 6) Reestablish electrical power to the dryer.

e. Keyboard (touchpad) Replacement

- 1) Discontinue electrical power to the dryer.
- 2) Disconnect keyboard (touchpad) ribbon cable from the Phase 7 microprocessor (computer) display board.
- 3) Peel existing keyboard (touchpad) from the door.
- 4) Remove as much of the remaining adhesive (from the removed keyboard [touchpad]) as possible.
- 5) Install and adhere new keyboard (touchpad).
- 6) Reestablish electrical power to the dryer.



f. Switch Replacement

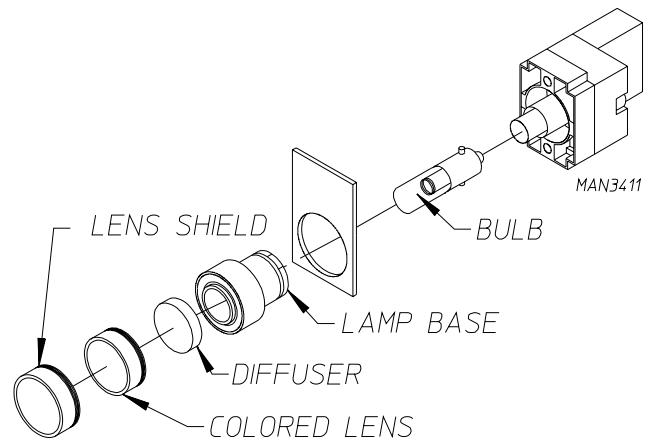
- 1) Discontinue electrical power to the dryer.
- 2) Mark and identify the wires that will be removed for proper reinstallation.
- 3) Remove wires.
- 4) To remove a contact block, loosen and remove the mounting screw.

NOTE: Contact Block #1 and Contact Block #2 is normally closed (N.C.) while Contact Block #3 and Contact Block #4 is normally open (N.O.).

- 5) To remove or replace operator, loosen the two (2) screws that hold the switch body away from the door.
- 6) Quarter turn the operator (in the direction shown in the above illustration) and remove.
- 7) Reinstall the wires removed in **Step #3**.
- 8) Reestablish electrical power to the dryer.

g. Switch Bulb Replacement

- 1) Discontinue electrical power to the dryer.
- 2) Unscrew clear lens shield.
- 3) Unscrew colored lens.
- 4) Remove diffuser.



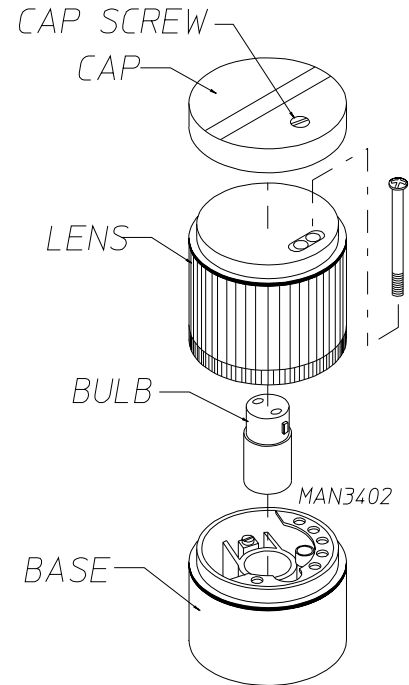
- 5) With finger tip, gently push and turn the bulb to unlock.

NOTE: A piece of tubing with an inside diameter the size of bulb may assist in bulb removal and replacement.

- 6) To install new bulb, reverse *Step #5 thru Step #1*.

h. End of Cycle Light Replacement

- 1) Discontinue electrical power to the dryer.
- 2) Loosen and remove the cap screw on the top of the cap.
- 3) Remove the cap.
- 4) Loosen and remove the screw going into the lens.
- 5) Twist out lens and remove bulb/light.
- 6) To install new bulb, reverse *Step #5 thru Step #1*.

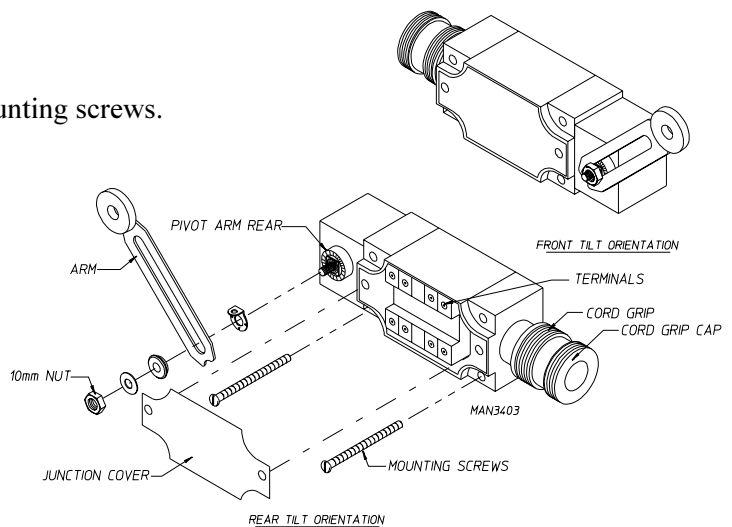


i. Tilt Switch Replacement

- 1) Discontinue electrical power to the dryer.
- 2) Remove the base panel from the left hand side of the dryer.

CAUTION: DO NOT PLACE HANDS BETWEEN THE DRYER BASE and THE TUMBLER (Basket/Drum) SECTION. SERIOUS INJURY CAN RESULT.

- 3) Unscrew tilt switch.
- 4) Loosen and remove the two (2) screws securing the junction cover.
- 5) Remove the junction cover.
- 6) Loosen and remove the two (2) mounting screws.
- 7) Loosen and remove cord grip cap.
- 8) Remove cord grip.
- 9) Place pivot arm in the 1 o'clock position for the front tilt switch and in the 11 o'clock position for the rear tilt switch.



Verify that the body orientation and the head orientation are correct.

Verify that the tilt switch arm is not in the vertical position or damage will result.

- 10) Holding the tilt arm, tighten up (snug up) on the nut.
- 11) Hold pivot point with a screwdriver and tighten the nut.
- 12) Replace base panel.
- 13) Reestablish electrical power to the dryer.

j. Tilt Switch Adjustment

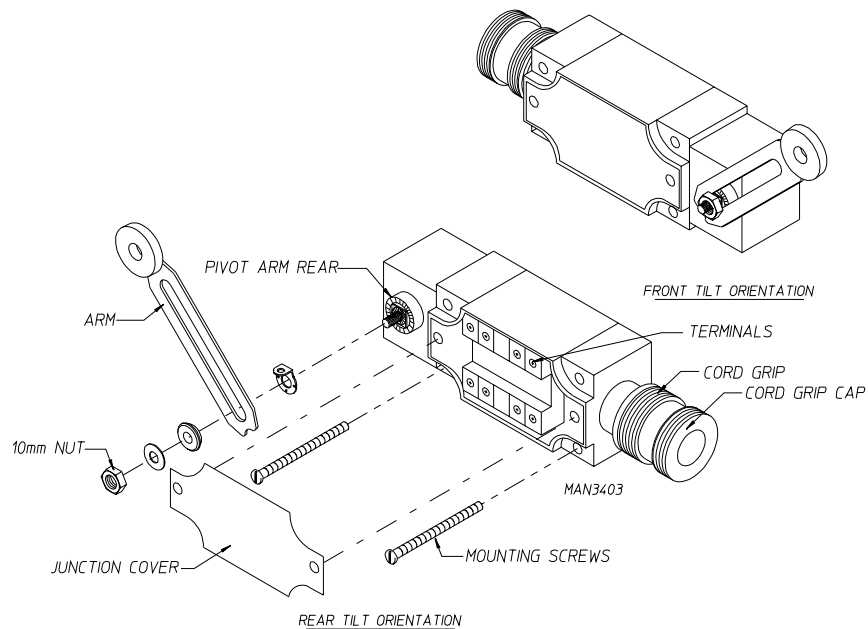
- 1) Discontinue electrical power to the dryer.
- 2) Remove the base panel from the left hand side of the dryer.

CAUTION: DO NOT PLACE HANDS BETWEEN THE DRYER BASE and THE TUMBLER (Basket/Drum) SECTION. SERIOUS INJURY CAN RESULT.

- 3) To adjust the pivot arm; hold the arm and with a #10 metric wrench and loosen the nut.
- 4) Place pivot arm in the one o'clock position for the front tilt switch and in the 11 o'clock position for the rear tilt switch.

Verify that the tilt switch arm is not in the vertical position or damage will result.

- 5) Holding the tilt arm, tighten up (snug up) on the nut.
- 6) Hold pivot point with a screwdriver and tighten the nut.
- 7) Replace base panel.
- 8) Reestablish electrical power to the dryer.



L. TUMBLER (Basket) SYSTEM

1. Tumbler (Basket) Drive System

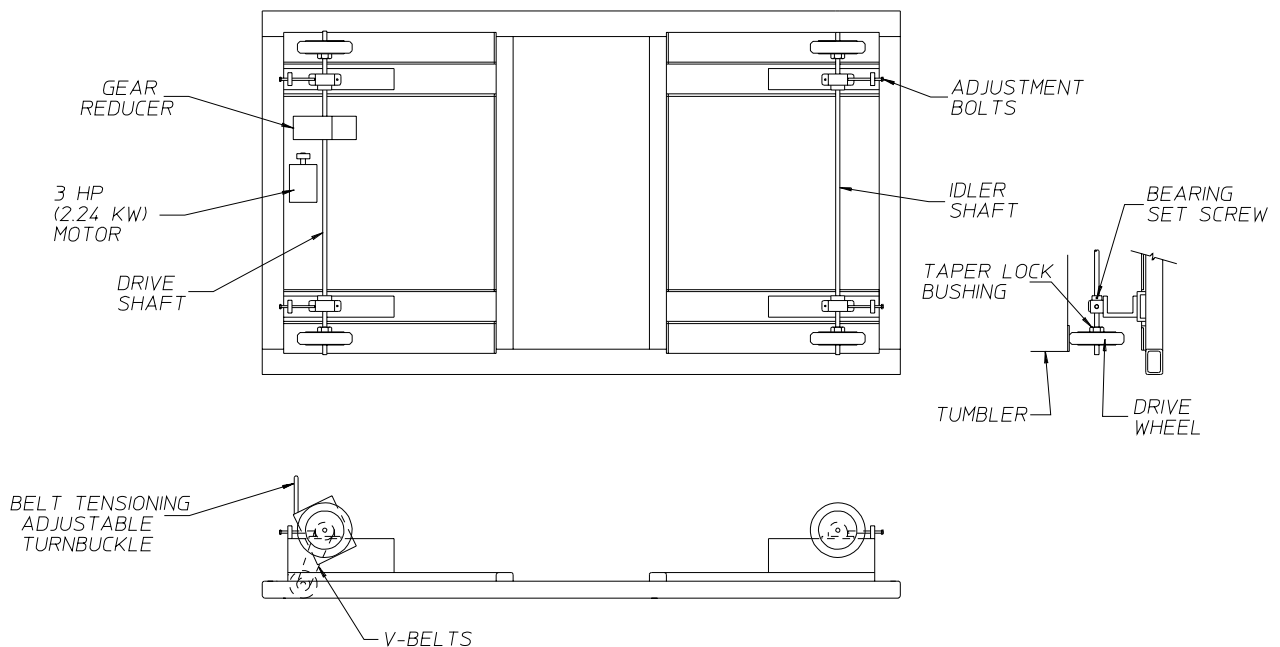
The tumbler (basket) is supported and driven by four (4) 11-inch (27.94 cm) diameter drive wheel assemblies. Two (2) of these wheels are attached to a 1-1/2" (3.81 cm) diameter idler shaft, while the other two (2) are attached to a 1-1/2" (3.81 cm) diameter drive shaft. Each of the wheels is fastened to the shafts by a taper lock bushing.

The idler shaft and drive shaft are each supported by two (2) 1-1/2" (3.81 cm) diameter pillow block bearings. These bearings sit on slotted support channels and can be moved inward or outward by the adjustment bolts. This results in raising or lowering the tumbler (basket).

The drive system consists of a shaft mounted gear reducer, two (2) V-belts, and a 3 HP (2.24 kw) drive motor. Belt tension can be adjusted by tightening or loosening the gear reducer turnbuckle.

To keep the tumbler (basket) in the middle of the dryer a series of retaining wheels are used in the front and rear of the dryer. The retaining wheels run along the vertical edge of the tumbler (basket) rings. These keep the tumbler (basket) from rubbing on the front and rear panels of the dryer.

AD - 200 TUMBLER DRIVE SYSTEM



MAN4982

WHEN REPLACING A DRIVE WHEEL:

1. ALWAYS CHANGE BOTH WHEELS ON A SHAFT.
2. MARK POSITION OF BEARINGS ON SUPPORTS. THIS WILL MAKE REASSEMBLY OF SHAFT AND CENTERING OF TUMBLER EASIER.
3. SHOVE BLOCKS OF WOOD UNDER TUMBLER TO TAKE IT'S WEIGHT OFF OF DRIVE WHEELS.
4. REMOVE BEARING HOLD DOWN BOLTS AND ADJUSTMENT BOLTS.
5. SLIDE COMPLETE SHAFT ASSEMBLY OUT OF SIDE OF DRYER.

TCOSTA 01/28/00

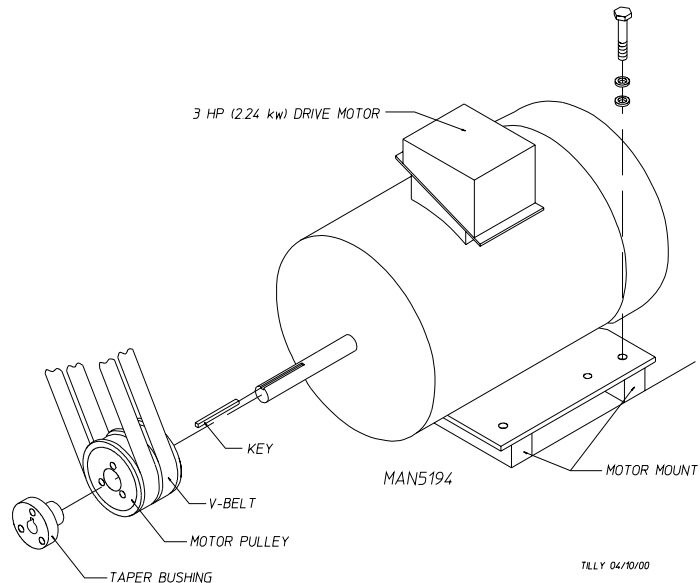
WARNING: TO ENSURE THAT THE DRIVE ***IS NOT*** UNEXPECTEDLY STARTED, TURN OFF and LOCKOUT and/or TAG POWER SOURCE BEFORE PROCEEDING. FAILURE TO OBSERVE THESE PRECAUTIONS COULD RESULT IN PERSONAL INJURY.

WARNING: Drive shaft assembly is heavy. **IMPROPER HANDLING CAN CAUSE PERSONAL INJURY.**

2. Drive Motor Component(s)

a. Drive Motor Replacement

- 1) Discontinue electrical power to the dryer.
- 2) Mark and identify the wires that will be removed for proper reinstallation.
- 3) Loosen the turnbuckle and remove V-belts.
- 4) Mark the inside of the shaft before removing the taper bushing (for proper reinstallation).
- 5) Remove the taper bushing and motor pulley.



- 5) Remove the taper bushing and motor pulley.

Refer to **Taper Bushing and Motor Pulley Replacement (Step 3 thru Step 6)** on **page 89**.

- 6) Remove the bolts securing the motor to the motor mount.
- 7) Install new motor and secure to motor mount.
- 8) Reinstall motor pulley and taper bushing.

Refer to **Taper Bushing and Motor Pulley Replacement (Step 7 thru Step 11)** on **page 89**.

- 9) Reinstall V-belts then tighten turnbuckle.

IMPORTANT: DO NOT OVERTIGHTEN TURNBUCKLE.

- 10) Rewire the new drive motor in the same order as the wiring from the motor that was removed.

a) Diagram is usually affixed to the side of the motor.

- 11) Reestablish electrical power to the dryer.

b. V-Belt Replacement

- 1) Discontinue electrical power to the dryer.

- 2) Loosen turnbuckle and remove V-belts.
- 3) Install new V-belts.

NOTE: Replace V-belts in matched sets (both belts).

- 4) Tighten turnbuckle.

IMPORTANT: *DO NOT OVERTIGHTEN* TURNBUCKLE.

- 5) Reestablish electrical power the dryer.

c. Taper Bushing and Drive Motor Pulley Replacement

- 1) Discontinue electrical power to the dryer.
- 2) Loosen turnbuckle and remove V-belts.
- 3) Mark inside of the drive motor shaft.
- 4) Remove the bolts securing the taper bushing.
- 5) Insert bolts into the threaded holes on the motor pulley and tighten evenly for pulley removal.
- 6) Loosen the set screws on the taper bushing and remove the bushing.
- 7) Measure the mark on the drive motor shaft to the end of the shaft.
- 8) Install the new drive motor pulley.
- 9) Align the new taper bushing with the mark on the shaft and install by tightening the set screws.
- 10) Insert bolts into the holes on the taper bushing and thread in to the motor pulley and tighten evenly.
- 11) Check that the pulley is in proper alignment.
 - a) Reinstall V-belts and tighten turnbuckle.

IMPORTANT: *DO NOT OVERTIGHTEN* TURNBUCKLE.

- 12) Reestablish electrical power to the dryer.

d. Drive Shaft Replacement

- 1) Discontinue electrical power to the dryer.
- 2) Remove the side panel and guard from the dryer covering the drive wheels.
- 3) Mark the position of the pillow block bearing on the mounting pad and loosen the set screws.

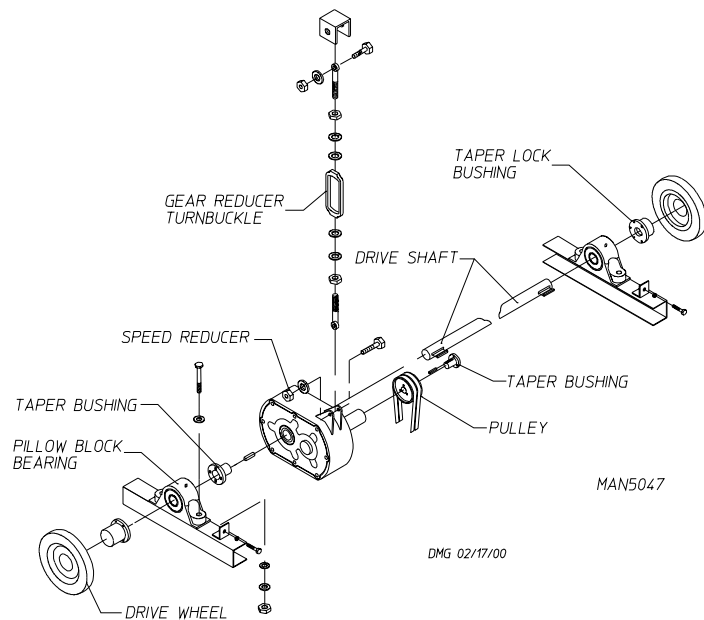
4) Insert blocks of wood under the tumbler (basket) - access through the lint drawer - to take the weight off of the drive wheels.

5) Loosen the turnbuckle and remove the V-belts.

Remove bottom turnbuckle mounting bolt.

6) Remove the bolts from the pillow block bearing mounting pads as well as the adjustment bolts.

7) Remove Drive Motor from the dryer. Refer to drive motor replacement on **page 88**.



8) Remove the taper lock bushings from the gear reducer and side gear reducer to the center of the shaft. (Refer to the taper bushing drive motor pulley replacement section **page 89**.)

9) Remove the taper lock bushings from the drive wheels.

10) Slide the pillow block bearings and taper lock bushing inward towards the gear reducer on the drive shaft.

11) Lift the end of the drive shaft closest to the rear of the dryer and pivot the other end of the shaft on the drive wheel until the shaft can be removed from the dryer.

12) To install new drive shaft, reverse ***Step #11 thru Step #2***.

13) Reestablish electrical power to the dryer.

e. Drive Wheel Replacement

1) Discontinue electrical power to the dryer.

2) Follow ***Step #2 thru Step #11*** in the **Drive Shaft Replacement** instructions in the previous section (**page 89 and page 90**) for the replacement of the drive wheels.

IMPORTANT: Both drive wheels *should be* replaced on the drive shaft.

3) To replace the drive wheel assembly into the dryer, reverse ***Step #11 thru Step #2*** in the instructions in the previous section (**page 89 and page 90**).

4) Verify proper position of drive shaft components prior to tightening onto shaft.

5) Reestablish electrical power to the dryer.

f. Pillow Block Bearing(s) Replacement

- 1) Discontinue electrical power to the dryer.
- 2) Follow ***Step #2 thru Step #11*** in the instructions on (**page 89 and page 90**).
- 3) Remove both drive wheels and taper lock bushings.
- 4) Carefully file the score marks on the drive shaft from the set screws before removing the pillow block bearing(s).
- 5) To install new pillow block bearing(s), reverse ***Step #11 thru Step #2*** in the instructions on (**page 89 and page 90**).
- 6) Reestablish electrical power to the dryer.

g. Gear (Speed) Reducer Replacement

CAUTION: Replacement gear reducers are shipped without oil. Add proper amount (1.4 liters) of recommended lubricant before operating. **FAILURE TO OBSERVE THESE PRECAUTIONS WILL RESULT IN DAMAGE TO THE DRYER and WILL VOID THE WARRANTY.**

CAUTION: Too much oil will cause overheating and too little oil will result in gear failure. Check oil level regularly. **FAILURE TO OBSERVE THESE PRECAUTIONS COULD RESULT IN DAMAGE TO THE DRYER and WILL VOID THE WARRANTY.**

- 1) Discontinue electrical power to the dryer.
- 2) Measure the distance of the gear (speed) reducer from the rear of the dryer to assist in positioning the gear reducer on the drive shaft during reinstallation.
- 3) Follow ***Step #2 thru Step #11*** in the instructions on (**page 89 and page 90**).
- 4) Remove the taper lock bushing and pillow block bearing from the drive shaft closest to the rear of the dryer. (Refer to the taper lock bushing drive motor pulley replacement section on **page 89** for removal of the taper lock bushing).
- 5) Slide the gear (speed) reducer to the center of the drive shaft.
- 6) Check the position of the drain plug and the breather plug.
- 7) Check the turnbuckle mount pad on the gear reducer for the correct application.
- 8) Install the new gear (speed) reducer on the drive shaft along with the taper bushing, the pillow block bearing (set screws in the pillow block bearing face the end of the drive shaft), the taper lock bushing, and the drive wheels.
- 9) Reinstall the drive shaft into the dryer.

- 10) Secure the gear reducer to the drive shaft by reinstalling the three (3) bolts into the taper bushing and tighten evenly for proper mounting.
- 11) Repeat **Step #12** to reinstall the other taper bushing.
- 12) Reinstall the bolt into the turnbuckle and mounting bracket.
- 13) Reinstall V-belts and tighten turnbuckle.
- 14) Prior to operating new gear (speed) reducer, fill with 1.4 liters of SAE 90 gear oil.

IMPORTANT: DO NOT OVERTIGHTEN TURNBUCKLE.

- 15) Mount the pillow block bearings onto the mounting pads (using the bolts that were removed)...**DO NOT** tighten.
- 16) Tighten the taper lock bushing into the drive wheels.
- 17) Tighten the adjustment bolts until the tumbler (basket) is centered.

IMPORTANT: Remove the wooden blocks that were inserted under the tumbler (basket).

- 18) Tighten the bolts on the pillow block bearings.

NOTE: Verify correct mounting position of the gear reducer. Make the necessary corrections and/or adjustments to the gear reducer for proper mounting. Changing the drain plug, breather plug, as well as the turnbuckle mounting pad may be required.

NOTE: Inspect **ALL** of the work performed checking for security of parts and proper alignment.

- 19) Reestablish electrical power to the dryer.

4. Retaining Wheel Components

a. Retaining Wheel Cover Panel Removal

- 1) Discontinue electrical power to the dryer.
- 2) Remove the top front panel to access the two (2) front retaining wheels and/or the rear top panel to access the two (2) rear retaining wheels.
- 3) To gain access to the bottom front retaining wheel the bottom panel **must be** removed. (The bolts securing this panel are located behind the right and left control panels.)

NOTE: The lower front retaining wheel **does not** have a cover.

NOTE: The guard panel **must be** removed from the dryer to access the rear bottom panel.

- 4) Remove the bolts from the guard panel to gain access to the rear bottom retaining wheel.

b. Retaining Wheel(s) Replacement

- 1) Discontinue electrical power to the dryer.
- 2) Remove the four (4) Phillips pan head screws to remove the cover.
- 3) Remove the hardware (i.e., bolt, lock washer, and flat washer) from the hex nut and weld nut on the wheel mount.
- 4) Install the new retaining wheel.

Reinstall the lock washer then the flat washer onto the bolt and insert into lower mount hole through the retaining wheel and through the hex nut, then into the weld nut and snug up the bolt.

WARNING: ALL SERVICE and TROUBLESHOOTING **SHOULD BE** PERFORMED BY A QUALIFIED PROFESSIONAL or SERVICE AGENCY.

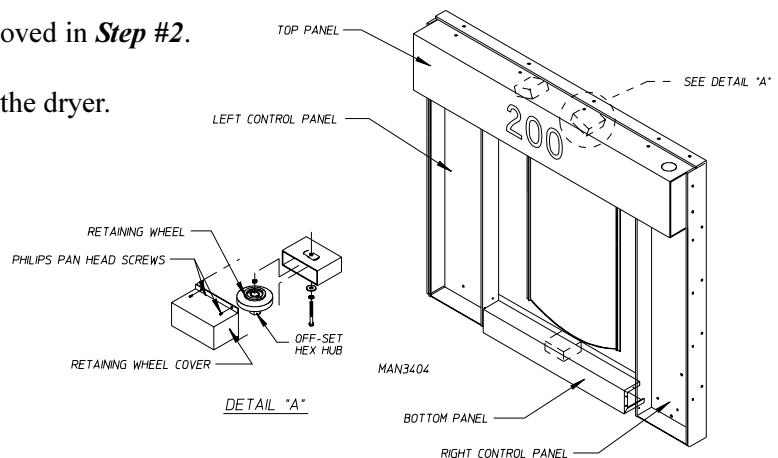
WARNING: WHILE MAKING ADJUSTMENTS, OBSERVE ALL SAFETY PRECAUTIONS DISPLAYED ON THE DRYER or SPECIFIED IN THIS MANUAL.

- 5) Reinstall cover and screws removed in **Step #2**.

- 6) Reestablish electrical power to the dryer.

c. Retaining Wheel(s) Adjustment

- 1) With the dryer operating, turn off-set hex hub on retaining wheel until wheel is at proper tension.
- 2) Snug nut against off-set hex hub and then tighten.



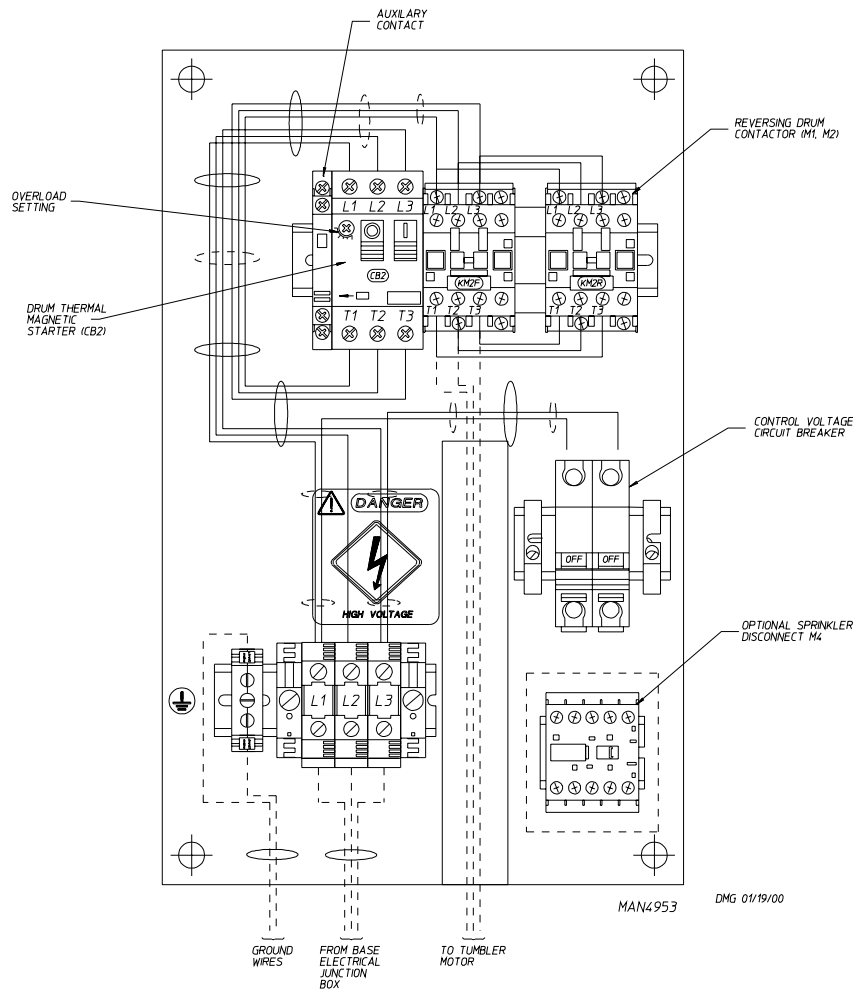
CAUTION: USE EXTREME CARE WHEN SETTING RETAINING WHEEL TENSION. PERSONAL INJURY MAY RESULT.

NOTE: Proper retaining wheel tension has been achieved when the wheel spins and stops when slight pressure is applied (to the retaining wheel itself).

5. Tumbler/Basket Electrical Component(s)

a. Tumbler (Basket) Thermal Magnetic Starter and Auxiliary Contact Block Replacement

- 1) Discontinue electrical power to the dryer.
- 2) Mark and identify the wires that will be removed for proper reinstallation.
- 3) Set the control of the thermal magnetic starter to the “stop” position.
- 4) Press down on the thermal magnetic starter and lift the bottom up and out of the din mounting rail.
- 5) Mark and identify the wires that will be removed for proper reinstallation.
- 6) Remove **ALL** associated wires.
- 7) Separate the thermal magnetic starter from the auxiliary contact block.
- 8) Install new thermal magnetic starter or auxiliary contact block.
- 9) Reassemble the thermal magnetic starter to auxiliary contact block.
- 10) Set overload to required setting.



- 11) Replace **ALL** wires removed in *Step #5* (previous page [**page 94**]).
- 12) Mount the top of the thermal magnetic starter to the top of the din rail and press down and in.
Inspect **ALL** of the work performed.
- 13) Set the control of the thermal magnetic starter to the “start” position.
- 14) Reestablish electrical power to the dryer.

6. Rotational Sensor Assembly

The Rotational Sensor Assembly is located on the right hand side of the dryer tumbler (basket) section. It consists of a magnetic rotational switch, mounted on the bracket which is bolted to the tumbler (basket) section. A magnet is riveted to the tumbler (basket) of the dryer.

The magnetic rotational sensor switch senses the rotation of the tumbler (basket). If the gap between the sensor switch and the magnet is greater than a preset amount, then the dryer will shut down on Rotational Sensor Failure.

a. Rotational Sensor Switch Replacement

- 1) Discontinue electrical power to the dryer.
- 2) Remove the two (2) TEK screws securing the rotational sensor bracket to the tumbler (basket) section.
- 3) Remove the magnetic rotational sensor switch from the mounting bracket, by removing the adjustment nut.
- 4) Depress the tabs on the rotational sensor harness plug and pull apart, then remove the sensor switch.
- 5) To install a new sensor switch, connect the plug of the new sensor switch to the sensor harness.
- 6) Place one (1) adjustment nut onto the sensor switch and insert into the mounting bracket.
- 7) Place the second adjustment nut on but **DO NOT** tighten. The magnets on the tumbler (basket) and the sensor switch **must be** in a horizontal line to one another.
- 8) The gap between the magnet and the sensor switch **must be** 1/8-inches (3.175 mm).
- 9) Tighten the adjustment nuts installed in *Step #7 and Step #6*.
- 10) Reestablish electrical power to the dryer.

SECTION VI

PHASE 7 OPL SYSTEM DIAGNOSTICS

IMPORTANT: YOU MUST DISCONNECT and LOCKOUT THE ELECTRIC SUPPLY and THE GAS SUPPLY or THE STEAM SUPPLY BEFORE ANY COVERS or GUARDS ARE REMOVED FROM THE MACHINE TO ALLOW ACCESS FOR CLEANING, ADJUSTING, INSTALLATION, or TESTING OF ANY EQUIPMENT per OSHA (Occupational Safety and Health Administration) STANDARDS.

ALL major circuits, including door, microprocessor temperature sensor, heat and motor circuits are monitored. The Phase 7 OPL microprocessor controller (computer) will inform the user, via the L.E.D. display of certain failure messages, along with L.E.D. indicators on the I/O (input/output) board on the back panel of the front right control door.

A. DIAGNOSTIC (L.E.D. Display) FAULT MESSAGES

CALL FOR SERVICE - Indicates a Board Failure.

FRONT DOOR NOT CLOSED - A Front Door is open when it **should be** closed.

REAR DOOR NOT CLOSED - A Rear Door is open when it **should be** closed.

CHECK CONTROL POWER - Indicates Control Power is Off.

EXHAUST HIGH TEMP FAULT - Indicates the temperature in the Tumbler (Basket) is above 225° F (107° C).

LINT DRAWER OPEN - Indicates the Lint Drawer is open and needs to be closed.

DRY ENABLE FAULT - Indicates the machine is not level and **ALL** doors closed. Not ready to start drying.

FRONT NOT DOWN - Machine is tilted back.

REAR NOT DOWN - Machine is tilted forward.

TUMBLER (BASKET) OVERLOAD FAULT - Indicates the tumbler (basket) overload has tripped open.

FAN OVERLOAD FAULT - Indicates the fan overload has tripped open.

EXHAUST HIGH LIMIT FAULT - Indicates the temperature disk in the exhaust has opened.

FRONT SAIL SWITCH CLOSED FAULT - Front Sail Switch is closed and **should be** open.

FRONT SAIL SWITCH OPEN FAULT - Front Sail Switch is open and **should be** closed.

REAR SAIL SWITCH CLOSED FAULT - Rear Sail Switch is closed and **should be** open.

REAR SAIL SWITCH OPEN FAULT - Rear Sail Switch is open and **should be** closed.

FAN CONTACTOR FAULT - The Fan Contactor was not pulled in.

FRONT BURNER HIGH LIMIT FAULT - Indicates the temperature disk in the Front Burner has opened.

REAR BURNER HIGH LIMIT FAULT - Indicates the temperature disk in the Rear Burner has opened.

FRONT BURNER VALVE FAULT - Indicates Front Gas Valve is not working or no gas is turned on or flame out.

REAR BURNER VALVE FAULT - Indicates Rear Gas Valve is not working or no gas is turned on or flame out.

FRONT BURNER IGNITION CONTROL FAULT - Front ignition module is not working or failure to ignite.

REAR BURNER IGNITION CONTROL FAULT - Rear ignition module is not working or failure to ignite.

ROTATION FAULT - Indicates the Tumbler (Basket) is not rotating.

BAD PROBE - Indicates the temperature probe is open or shorted.

LOW VOLTAGE FAULT - Indicates power has dropped below the operating values and will shut down.

B. I/O BOARD INPUT and OUTPUT L.E.D. INDICATORS

INPUTS: (RED)

1. FDRC - Front Door Closed
2. FDRO - Front Door Open
3. TBOL - Tumbler (Basket) Overload
4. FNOL - Fan Overload
5. RDWN - Rear Down
6. FDWN - Front Down
7. RDRC - Rear Door Closed
8. RDRO - Rear Door Open
9. FAN - Blower Fan On
10. RBHL - Rear Burner High Limit
11. R_SS - Rear Sail Switch
12. FBHL - Front Burner High Limit
13. F_SS - Front Sail Switch
14. EXHL - Exhaust High Limit
15. DRY - Dry Enable Bit
16. LINT - Lint Drawer
17. 24VM - Control Voltage at Spare Inputs
18. FVLV - Front Gas Valve
19. RVLV - Rear Gas Valve
20. SPR1 - Spare #1
21. SPR2 - Spare #2
22. SPR3 - Spare #3
23. SPR4 - Spare #4
24. SPR5 - Spare #5
25. +24 - Fuse #2 Board 24 Volt AC
26. 24IN - Board 24 Volt AC
27. MCR+ - Control Voltage 24 Volts AC

OUTPUTS: (GREEN)

1. R_HEAT - Rear Heat
2. ALERT - Audio Alert Horn
3. FWD - Tumbler (Basket) Forward
4. REV - Tumbler (Basket) Reverse
5. AIR JET - Air Jet On
6. FAN - Blower Fan On
7. F_HEAT - Front Heat
8. AUX - Auxiliary Relay
9. PRG1 - Programmable Output #1
10. PRG2 - Programmable Output #2
11. PRG3 - Programmable Output #3
12. PRG4 - Programmable Output #4
13. OCL1 - Open Collector #1
14. OCL2 - Open Collector #2
15. OCL3 - Open Collector #3
16. OCL4 - Open Collector #4
17. OCL5 - Open Collector #5
18. OCL6 - Open Collector #6
19. OCL7 - Open Collector #7
20. OCL8 - Open Collector #8
21. EOC - End Of Cycle Light

I/O Board Input Description (Red L.E.D.)

1. FDRC – (RED L.E.D.) This L.E.D. will indicate the status of the Front Doors. If the doors are closed, then the L.E.D. is ON.
2. FDRO – (RED L.E.D.) This L.E.D. will indicate the status of the Front Doors. If the doors are open, then the L.E.D. is ON.
3. TBOL – (RED L.E.D.) This L.E.D. will indicate the status of the Tumbler (Basket) Overload Contact. If the contact is closed, then the L.E.D. is ON. If it faults open, then the L.E.D. is OFF.
4. FNOL – (RED L.E.D.) This L.E.D. will indicate the status of the Fan Overload Contact. If the contact is closed, then the L.E.D. is ON. If it faults open, then the L.E.D. is OFF.
5. RDWN – (RED L.E.D.) This L.E.D. will indicate the status of the Rear Tilt. If the rear of the dryer is down, then the L.E.D. is ON.
6. FDWN – (RED L.E.D.) This L.E.D. will indicate the status of the Front Tilt. If the front of the dryer is down, then the L.E.D. is ON.
7. RDRC – (RED L.E.D.) This L.E.D. will indicate the status of the Rear Doors. If the doors are closed, then the L.E.D. is ON.
8. RDRO – (RED L.E.D.) This L.E.D. will indicate the status of the Rear Doors. If the doors are open, then the L.E.D. is ON.
9. FAN – (RED L.E.D.) This L.E.D. will indicate the status of the Blower Fan. If the fan is on, then the L.E.D. is ON.
10. RBHL – (RED L.E.D.) This L.E.D. will indicate the status of the Rear Burner High Limit Disk. If the disk is closed (Temp below 225° F [107° C]), then the L.E.D. is ON.
11. R_SS – (RED L.E.D.) This L.E.D. will indicate the status of the Rear Sail Switch. If the switch is closed, then the L.E.D. is ON.
12. FBHL – (RED L.E.D.) This L.E.D. will indicate the status of the Front Burner High Limit Disk. If the disk is closed (Temperature below 225° F [107° C]), then the L.E.D. is ON.
13. F_SS – (RED L.E.D.) This L.E.D. will indicate the status of the Front Sail Switch. If the switch is closed, then the L.E.D. is ON.
14. EXHL – (RED L.E.D.) This L.E.D. will indicate the status of the Exhaust High Limit Disk. If the disk is closed (Temperature below 225° F [107° C]), then the L.E.D. is ON.
15. DRY – (RED L.E.D.) This L.E.D. will indicate the status of the PLC. If the mechanical functions of the dryer have been set to the DRY position, the PLC will send a signal to the Phase 7 board. This signal will indicate that **ALL** the doors are closed and the dryer is level. When these conditions are met, then the L.E.D. is ON.
16. LINT – (RED L.E.D.) This L.E.D. will indicate the status of the Lint Drawer. If the drawer is closed, then the L.E.D. is ON.

17. 24VM – (RED L.E.D.) Control voltage at the spare inputs.
18. FVLV – (RED L.E.D.) This L.E.D. will indicate the status of the Front Gas Valve. If the Front Gas Valve is open (ON), then the L.E.D. is ON.
19. RVLV – (RED L.E.D.) This L.E.D. will indicate the status of the Rear Gas Valve. If the Rear Gas Valve is open (ON), then the L.E.D. is ON.
20. SPR1 – (RED L.E.D.) This is for a spare input to be used with programmable outputs.
21. SPR2 – (RED L.E.D.) This is for a spare input to be used with programmable outputs.
22. SPR3 – (RED L.E.D.) This is for a spare input to be used with programmable outputs.
23. SPR4 – (RED L.E.D.) This is for a spare input to be used with programmable outputs.
24. SPR5 – (RED L.E.D.) This is for a spare input to be used with programmable outputs.
25. +24 – (RED L.E.D.) This L.E.D. will indicate the board voltage that is protected by Fuse #2.
26. 24IN – (RED L.E.D.) This L.E.D. will indicate 24 VAC to the board.
27. MCR+ - (RED L.E.D.) This L.E.D. will indicate the status of the Control Voltage. If the Power On button is pressed (Green Button Light is On), then the L.E.D. is On.

I/O Board Output Description (Green L.E.D.)

1. R_HEAT – (GREEN L.E.D.) This L.E.D. will indicate the status of the Rear Heat output. If the request to turn on the Rear Heater is made, then the L.E.D. is On.
2. ALERT – (GREEN L.E.D.) This L.E.D. will indicate the status of the Horn output. If the request to turn on the Horn is made, then the L.E.D. is On.
3. FWD – (GREEN L.E.D.) This L.E.D. will indicate the status of the Tumbler (Basket) Forward direction output. If the request to tumble the drum in the Forward direction is made, then the L.E.D. is On.
4. REV – (GREEN L.E.D.) This L.E.D. will indicate the status of the Tumbler (Basket) Reverse direction output. If the request to tumble the drum in the Reverse direction is made, then the L.E.D. is On.
5. AIR JET – (GREEN L.E.D.) This L.E.D. will indicate the status of the Air Jet output. If the request to turn on the Air Jet is made, then the L.E.D. is On.
6. FAN – (GREEN L.E.D.) This L.E.D. will indicate the status of the Fan output. If the request to turn on the Fan (Blower) is made, then the L.E.D. is On.
7. F_HEAT – (GREEN L.E.D.) This L.E.D. will indicate the status of the Front Heat output. If the request to turn on the Front Heater is made, then the L.E.D. is On.
8. AUX – (GREEN L.E.D.) This is for a spare output to be programmed.
9. PGR1 – (GREEN L.E.D.) This is for a spare output to be programmed.
10. PGR2 – (GREEN L.E.D.) This is for a spare output to be programmed.
11. PGR3 – (GREEN L.E.D.) This is for a spare output to be programmed.
12. PGR4 – (GREEN L.E.D.) This is for a spare output to be programmed.
13. OCL1 – (GREEN L.E.D.) This L.E.D. will indicate the status of the Open Collector #1 output. If the request to turn on the Open Collector #1 is made, then the L.E.D. is On. (Programmable and Defaulted to Front Door Open)
14. OCL2 – (GREEN L.E.D.) This L.E.D. will indicate the status of the Open Collector #2 output. If the request to turn on the Open Collector #2 is made, then the L.E.D. is On. (Programmable and Defaulted to Front Door Closed)
15. OCL3 – (GREEN L.E.D.) This L.E.D. will indicate the status of the Open Collector #3 output. If the request to turn on the Open Collector #3 is made, then the L.E.D. is On. (Programmable and Defaulted to Lint Drawer)
16. OCL4 – (GREEN L.E.D.) This L.E.D. will indicate the status of the Open Collector #4 output. If the request to turn on the Open Collector #4 is made, then the L.E.D. is On. (Programmable and Defaulted to Front Down)

17. OCL5 – (GREEN L.E.D.) This L.E.D. will indicate the status of the Open Collector #5 output. If the request to turn on the Open Collector #5 is made, then the L.E.D. is On. (Programmable and Defaulted to Rear Down)
18. OCL6 – (GREEN L.E.D.) This L.E.D. will indicate the status of the Open Collector #6 output. If the request to turn on the Open Collector #6 is made, then the L.E.D. is On. (Programmable and Defaulted to Rear Door Open)
19. OCL7 – (GREEN L.E.D.) This L.E.D. will indicate the status of the Open Collector #7 output. If the request to turn on the Open Collector #7 is made, then the L.E.D. is On. (Programmable and Defaulted to Rear Door Closed)
20. OCL8 – (GREEN L.E.D.) This L.E.D. will indicate the status of the Open Collector #8 output. If the request to turn on the Open Collector #8 is made, then the L.E.D. is On. (Programmable and Defaulted to Spare)
21. EOC – (GREEN L.E.D.) This L.E.D. will indicate the status of the End Of Cycle light output. If the request to turn on the End Of Cycle light is made, then the L.E.D. is On.

SECTION VII

TROUBLESHOOTING

IMPORTANT: YOU MUST DISCONNECT and LOCKOUT THE ELECTRIC SUPPLY and THE GAS SUPPLY or THE STEAM SUPPLY BEFORE ANY COVERS or GUARDS ARE REMOVED FROM THE MACHINE TO ALLOW ACCESS FOR CLEANING, ADJUSTING, INSTALLATION, or TESTING OF ANY EQUIPMENT per OSHA (Occupational Safety and Health Administration) STANDARDS.

The information provided will help isolate the most probable components associated with the difficulty described. The experienced technician realizes, however, that a loose connection or broken/shorted wire may be at fault where electrical components are concerned...not necessarily the suspect component itself. Electrical parts **should always be** checked for failure before being returned to the factory.

IMPORTANT: When replacing blown fuses, the replacement *must be* of the exact rating as the fuse being replaced. The information provided *should not be* misconstrued as a handbook for use by an untrained person in making repairs.

WARNING: ALL SERVICE and TROUBLESHOOTING **SHOULD BE PERFORMED BY A QUALIFIED PROFESSIONAL** or SERVICE AGENCY.

WARNING: WHILE MAKING REPAIRS, OBSERVE ALL SAFETY PRECAUTIONS DISPLAYED ON THE DRYER or SPECIFIED IN THIS MANUAL.

A. No Display...

1. "EMERGENCY STOP" (E-Stop) button pushed in.
2. Service panel fuses blown or tripped breaker.
3. Blown F2 (fuse 2) on microprocessor (computer) I/O (input/output) board.
4. Blown CB7 on right hand control panel.
5. Failed display board.
6. Failed communication cable.
7. Failed microprocessor (computer) I/O (input/output) board.
8. Optional sprinkler circuit emergency relay not engaged...
 - a. Service panel fuse blown or tripped breaker.
 - b. Sprinkler circuit high limit has tripped.

NOTE: SPRINKLER *MUST HAVE* POWER FOR THE DRYER TO OPERATE.

B. Drive motor is not operating (does not start)...

* **Microprocessor controller (computer) relay output indicator (either forward “FWD” or reverse “REV”) is on.**

1. Blown drive motor contactor overloads.
2. Failed drive motor contactor.
3. Failed drive motor.
4. No 24 VAC present at drive motor contactor coil.

* **Microprocessor controller (computer) relay output indicator (neither forward “FWD” or reverse “REV”) is on.**

1. Failed microprocessor controller (computer) I/O (input/output) board.

C. Drive motor operates in one direction only...stops and restarts in the same direction...

* **Appropriate microprocessor controller (computer) relay output indicator is on.**

1. Failed reversing contactor (relay).
2. Failed electrical reversing contactor interlock.

* **Appropriate microprocessor controller (computer) relay output indicator is off.**

1. Failed microprocessor controller (computer) I/O (input/output) board.

D. Drive motor operates okay for a few minutes and then either repeatedly or occasionally trips the overload protector...

NOTE: When the overload protector trips, the microprocessor controller (computer) I/O (input/output) board, red L.E.D. (light emitting diode) “TBOL” **will be** off and the display will read “Tumbler Overload Fault.”

1. Motor is overheating...
 - a. Motor air vents clogged with lint.
 - b. Low voltage to motor.
 - c. Failed motor.
 - d. Tumbler (Basket) is binding...check for an obstruction.
 - e. Tumbler (Basket) bearings are binding.

- f. V-belts are too tight.
- g. Dryer has an oversized load.
- h. Voltage to the dryer is incorrect...check dryer data label for specified voltage.

2. Failed overload protector...

- a. Incorrect overload setting.

E. Impellor (fan) motor is not operating (does not start)...

*** Microprocessor controller (computer) I/O (input/output) board “FAN” relay output indicator is on.**

- 1. Blown blower (impellor and fan) motor overloads.
- 2. Failed blower (impellor and fan) motor contactor (relay).
- 3. Failed blower (fan and impellor) motor.
- 4. No 24 VAC present at fan motor contactor coil.

*** Microprocessor controller (computer) I/O (input/output) board “FAN” relay output indicator is off.**

- 1. Failed microprocessor controller (computer) I/O (input/output) board.

F. Blower (fan and impellor) motor operates okay for a few minutes and then either repeatedly or occasionally trips the overload protector...

NOTE: When the overload protector trips, the microprocessor controller (computer) I/O (input/output) board red L.E.D. (light emitting diode) “FNOL” **will be** off and the display will read “Fan Overload Fault.”

- 1. Motor is overheating...
 - a. Motor air vents clogged with lint.
 - b. Low voltage to motor.
 - c. Failed motor.
 - d. Tumbler (Basket) is binding...check for an obstruction.
 - e. Failed gear reducer or tumbler (basket) bearing.
 - f. V-belts are too tight.
 - g. Motor is running at incorrect voltage.

2. Failed overload protector...
 - a. Incorrect overload setting.
3. Blown drive motor and blower (fan and impellor) motor fuses or overloads.
4. Failed motors (both blower [fan and impellor] motor and drive motor).
5. Failed microprocessor controller (computer).

G. Microprocessor controller (computer) display board L.E.D. (light emitting diode) display reads “BAD PROBE” continuously and the buzzer (tone) sounds every thirty (30) seconds...

1. Fault in microprocessor heating sensing circuit...
 - a. Failed microprocessor temperature sensor.
 - b. Failed microprocessor controller (computer) display board.
 - c. Broken wire or connection between the microprocessor controller (computer) and the microprocessor temperature sensor.

H. Microprocessor controller (computer) L.E.D. (light emitting diode) display reads “DRY ENABLE” fault...

1. Front or rear doors open.
2. Dryer not in level position.
3. Broken connection between level switch.
4. Level switches need to be adjusted.
5. Input from PLC not present...
 - a. TSX07 does not have supply power.
 - b. Failed TSX07 PLC.
6. Failed microprocessor (computer) I/O (input/output) board.

I. Microprocessor controller (computer) I/O (input/output) board display reads “FRONT DOORS NOT CLOSED” or rear doors not closed.

1. Fault (open circuit) in front or rear switch circuit door...
2. One (1) of the front or rear door switches has failed.
3. One (1) of the front or rear door switch contact magnets is either missing or is broken.
4. Broken wire or connection in front door.

5. Front or rear doors are opened during cycle.
6. Failed microprocessor controller (computer) I/O (input/output) board.

J. Microprocessor controller (computer) L.E.D. (light emitting diode) displays “Lint Drawer Open.”

1. Lint drawer is not closed **ALL** the way.
2. Lint drawer switch is out of proper adjustment.
3. Failed lint drawer switch.
4. Failed microprocessor controller (computer) I/O (input/output) board.

K. Microprocessor controller (computer) will not accept any keyboard (touchpad) entries, (i.e., L.E.D. [light emitting diode] display reads “READY” and when keyboard [touchpad] entries are selected, the L.E.D. [light emitting diode] display continues to read “READY”)...

1. Failed keyboard (touchpad) label assembly.
2. Failed microprocessor controller (computer) display board.

L. Microprocessor controller (computer) will only accept certain keyboard (touchpad) entries...

1. Failed keyboard (touchpad) label assembly.
2. Failed microprocessor controller (computer) display board.

M. Microprocessor controller (computer) locks up and the display reads erroneous messages or only partial segments...

1. Transient power voltage spikes...disconnect the electrical power to the dryer, wait one (1) minute and reestablish power to the dryer. If problem is evident...
 - a. Failed microprocessor controller (computer).
 - b. Failed keyboard (touchpad) label assembly.

N. Dryer stops during a cycle, microprocessor controller (computer) buzzer (tone) sounds for a few seconds, and then microprocessor controller (computer) returns to “READY”...

1. Loose connection somewhere in the main power circuit to the microprocessor controller (computer).

O. Microprocessor controller (computer) display reads “Rotation Fault”...

1. Rotational sensor circuit failure...fault somewhere in the tumbler (basket) rotation or circuit...
 - a. Tumbler (Basket) is not rotating...
 - 1) Broken tumbler (basket) drive belts.

- 2) Failure in drive motor circuit.
- b. Faulty rotation sensor.
- c. Broken wire or connection between rotation sensor and microprocessor controller (computer) display board.
- d. Failure in rotational sensor circuit or magnet missing or gap too large.
- e. Tumbler (Basket) rotation below 12 RPMS.

P. Microprocessor controller (computer) reads “Exhaust High Temp Fault”...

1. Possible overheating condition...microprocessor controller (computer) display board has sensed a temperature which has exceeded 225° F (107° C).

Exhaust High Fault Temp will display until the stop key has been passed. A cycle **cannot** be started until the temp is below 220° F (104° C).

Q. Dryer operates but is taking too long to dry...

1. Exhaust duct work run is too long or is undersized...back pressure **cannot** exceed 0.3 inches water column (W.C.) - 0.74 mb.
2. Restriction in duct work...check duct from the dryer **ALL** the way to the outdoors.
3. Low or inconsistent gas pressure (*for GAS MODELS ONLY*).
4. Insufficient make-up air.
5. Poor air and gas mixture at burner - yellow or poor flame pattern...adjust gas burner air adjustment shutters (*for GAS MODELS ONLY*).
6. Lint drawer or screen is not being cleaned on a regular basis or often enough.
7. Extractors (washer) is not performing properly.
8. Sail switch is fluttering...restriction in exhaust (*for GAS MODELS ONLY*).
9. Failed microprocessor controller (computer)...temperature calibration is inaccurate.
10. Failed microprocessor temperature sensor...calibration is inaccurate.
11. Failed burner hi-limit (*for GAS MODELS ONLY*).
12. Failed 225° F (107° C) manual reset hi-limit (thermostat).

13. Steam damper system is not functioning properly (*for STEAM DRYER ONLY*)...

- a. Steam damper sticking closed.
- b. Leak in pneumatic system.

14. Undersized load, dryer requires a minimum load size of approximately 125 lbs (57 kg) for maximum drying efficiency.

R. Excessive noise and vibration...

1. Dryer is not leveled properly.
2. Impellor (fan/blower) out of balance...
 - a. Excessive lint build up on impellor (fan/blower)...check air jet.
 - b. Failed impellor (fan/blower).
3. Loose motor mount.
4. Failed idler bearings or tumbler (basket) bearings.
5. V-belt(s) either too tight or too loose.
6. Tumbler (Basket) drive wheels are worn or are loose.
7. Set screws of tumbler (basket) drive shaft bearings are loose.
8. Failed motor bearing.
9. Drive wheel is loose.
10. Failed drive wheel.

S. Dryer will not tilt...

- * Tilt to load.
1. Correct door signals are not present.
 - a. Door open to tilt up.
 - b. Door closed to tilt level.
 2. Defective proximity switch.
 3. No (external) compressed air to pneumatic switches...80 PSI (5.51 bars) required (11 cf/hr [0.31 cm/hr]).
 4. Lint drawer is open.

* Tilt to unload.

1. Correct door signals are not present.

a. Door open to tilt down.

b. Door closed to tilt level.

2. Defective proximity switch.

3. No (external) compressed air to pneumatic switches...80 PSI (5.51 bars) required (11 cf/hr [0.31 cm/hr]).

4. Lint drawer is open.

SECTION VIII

PROCEDURE FOR FUNCTIONAL CHECK OF REPLACEMENT COMPONENTS

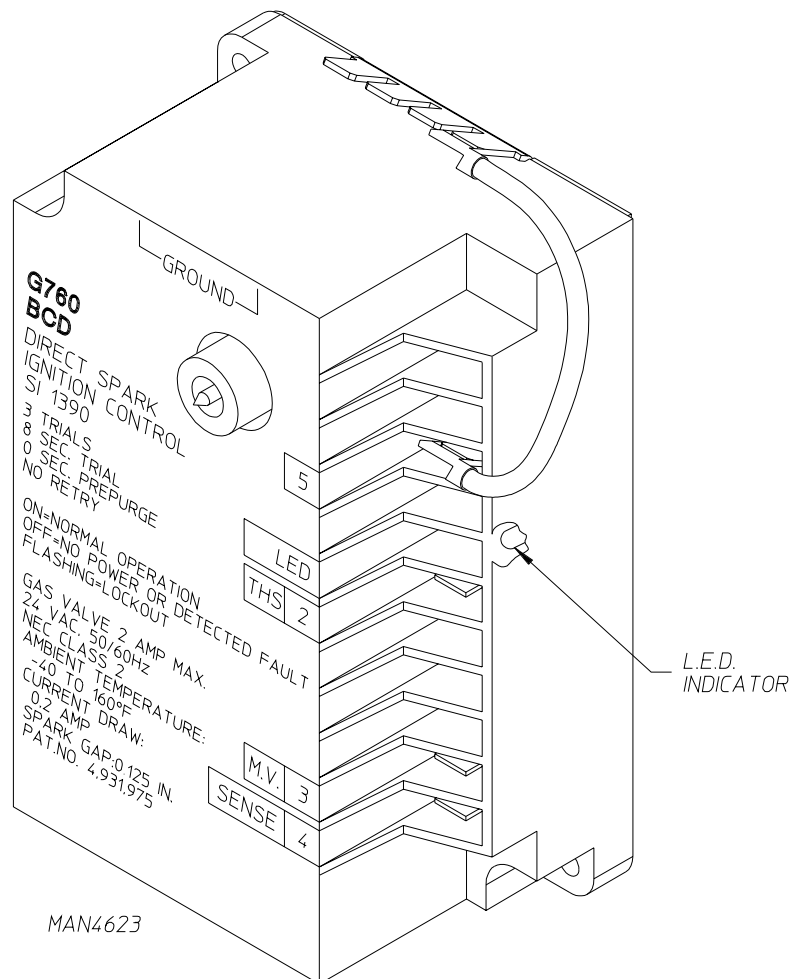
1. For Models With Johnson Controls DSI (Direct Spark Ignition) Module (G760)

Theory Of Operation;

Start the drying cycle. When the gas burner ignites within the chosen trial for ignition time (6-seconds), the flame sensor detects gas burner flame and signals the Direct Spark Ignition (DSI) module to keep the gas valve open...as long as there is a call for heat. The DSI module will “LOCKOUT” if the gas burner flame is not sensed at the end of the trial for ignition period. The trial for ignition period will be repeated for a total of three (3) retries/trials (the initial try and two [2] more retries/trials). If the flame is not sensed at the end of the third retry/trial (inter-purge period of 30-seconds) the DSI module will “LOCKOUT” (L.E.D. [light emitting diode] flashes).

A steady L.E.D. (light emitting diode) indicator indicates normal operation.

No L.E.D. (light emitting diode) indicator indicates a power or an internal failure has occurred.



2. For Direct Spark Ignition (DSI) System Models Manufactured With ADC Module Part No. 880815

a. Upon completing installation of the replacement Direct Spark Ignition (DSI) module, reestablish power to the dryer.

b. Start the drying cycle.

c. The ignition (DSI) module's L.E.D. (light emitting diode) indicator will be "off" for up to approximately 1.5-seconds (prepurge time).

d. The module's indicator light will then turn "green." The gas valve will be energized and the ignitor probe will spark for approximately 8-seconds. The burner flame **should now be** established. If the L.E.D. on the module lights "green" continuously, then the system is functioning properly. A flashing "green" L.E.D. (lockout mode) indicates that ignition flame has not been confirmed.

e. With the burner flame on, remove the flame sensor wire from the sense terminal of the DSI module.

f. The burner flame **must shut off** and the ignition module **must lockout** with the DSI module's indicator light flashing "green."

g. Stop the drying cycle, with the flame sensor wire still removed, restart the drying cycle.

h. The ignition module **must proceed** through the prepurge, with the indicator light "off," the ignition trial time of approximately 8-seconds, with the indicator light "green," and then proceed to lockout with the indicator light flashing "green."

i. Functional check of the Direct Spark Ignition (DSI) Module is complete.

1) Replace the flame sensor wire from the FS terminal to the DSI module.

