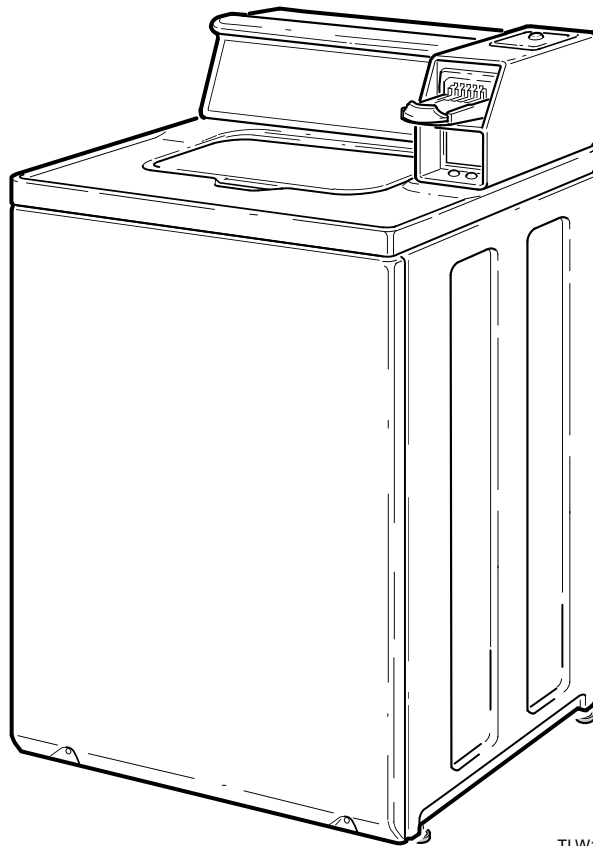


Automatic Washers

Metered and Nonmetered
Refer to Page 5 for Model Numbers



TLW1C_39200

Table of Contents

Title	Page
Parts Ordering Information.....	3
Nameplate Location	3
Model Identification	5
Timer, Case and Plate	6
Timer	8
Coin Slide Meter Case and Service Door	10
Coin Slide Start Security Kit.....	12
Coin Slide Extension, Meter Case and Service Door.....	14
Coin Drop, Meter Case and Service Door	16
Electronic Coin Drop	18
Timer Case	20
Security Case and Card Reader	22
Control Panel, Control Hood and Controls (Drawing 1 of 13)	24
Control Panel, Control Hood and Controls (Drawing 2 of 13)	26
Control Panel, Control Hood and Controls (Drawing 3 of 13)	28
Control Panel, Control Hood and Controls (Drawing 4 of 13)	30
Control Panel, Control Hood and Controls (Drawing 5 of 13)	32
Control Panel, Control Hood and Controls (Drawing 6 of 13)	34
Control Panel, Control Hood and Controls (Drawing 7 of 13)	36
Control Panel, Control Hood and Controls (Drawing 8 of 13)	38
Control Panel, Control Hood and Controls (Drawing 9 of 13)	40
Control Panel, Control Hood and Controls (Drawing 10 of 13)	42
Control Panel, Control Hood and Controls (Drawing 11 of 13)	44
Control Panel, Control Hood and Controls (Drawing 12 of 13)	46
Control Panel, Control Hood and Controls (Drawing 13 of 13)	48
Control Hood Security Kit.....	50
Lid	52
Cabinet Top	54
Lid Switch.....	56
Mixing Valve.....	58
Fill Hose, Mixing Valve-to-Tub Cover Hose and Mounting Bracket	60
Motor, Mounting Bracket, Belt, Pump and Idler Assembly.....	62
Agitator, Drive Bell, Hub and Lip Seal Kit and Washtub	64
Agitator, Drive Bell, Hub and Seal Kit and Washtub	66
Outer Tub, Cover, Bearing and Seal Housing, Pressure Hose and Counterweight.....	68
Outer Tub, Cover, Bearing Housing, Pressure Hose and Counterweight.....	70
Transmission Assembly	72
Drain Hose and Siphon Break	74
Drain Hoses and Siphon Break Kit	76
Weldment and Bearing Assembly, Brake and Pulley.....	78
Front Panel, Base Assembly and Cabinet Kit	80

© Copyright 2010, Alliance Laundry Systems LLC

All rights reserved. No part of the contents of this book may be reproduced or transmitted in any form or by any means without the expressed written consent of the publisher.

Mixing Valve and Motor Disconnect Blocks, Terminals and Terminal Extractor Tool	82
Lead-In Cord	84
Terminals	86
Shipping Materials and Special Tools	88
Special Tools	90
Wire Harnesses and Wires	92
Parts Index	95

Parts Ordering Information

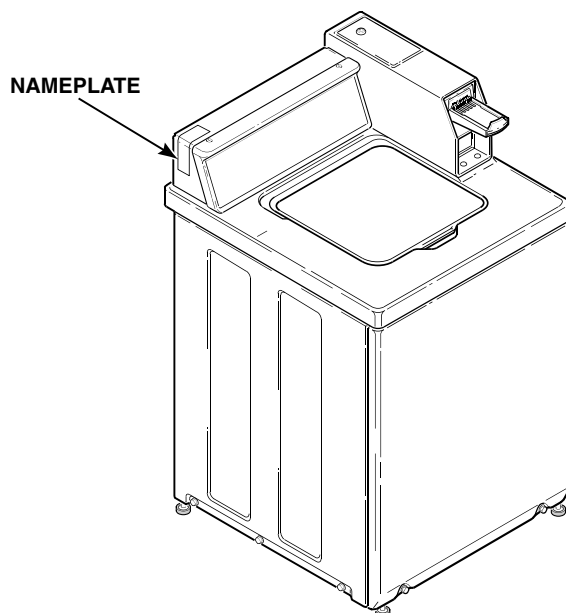
If literature or replacement parts are required, contact the source from whom the machine was purchased or contact Alliance Laundry Systems at (920) 748-3950 for the name and address of the nearest authorized parts distributor.

For technical assistance, call either of the numbers listed below:

(920) 748-3121 Ripon, Wisconsin
+32 56 41 20 54 Wevelgem, Belgium

Nameplate Location

When calling or writing about your product, be sure to mention model and serial numbers. Model and serial numbers are located on nameplate(s) as shown.



W363PE3A_39200

Model Identification

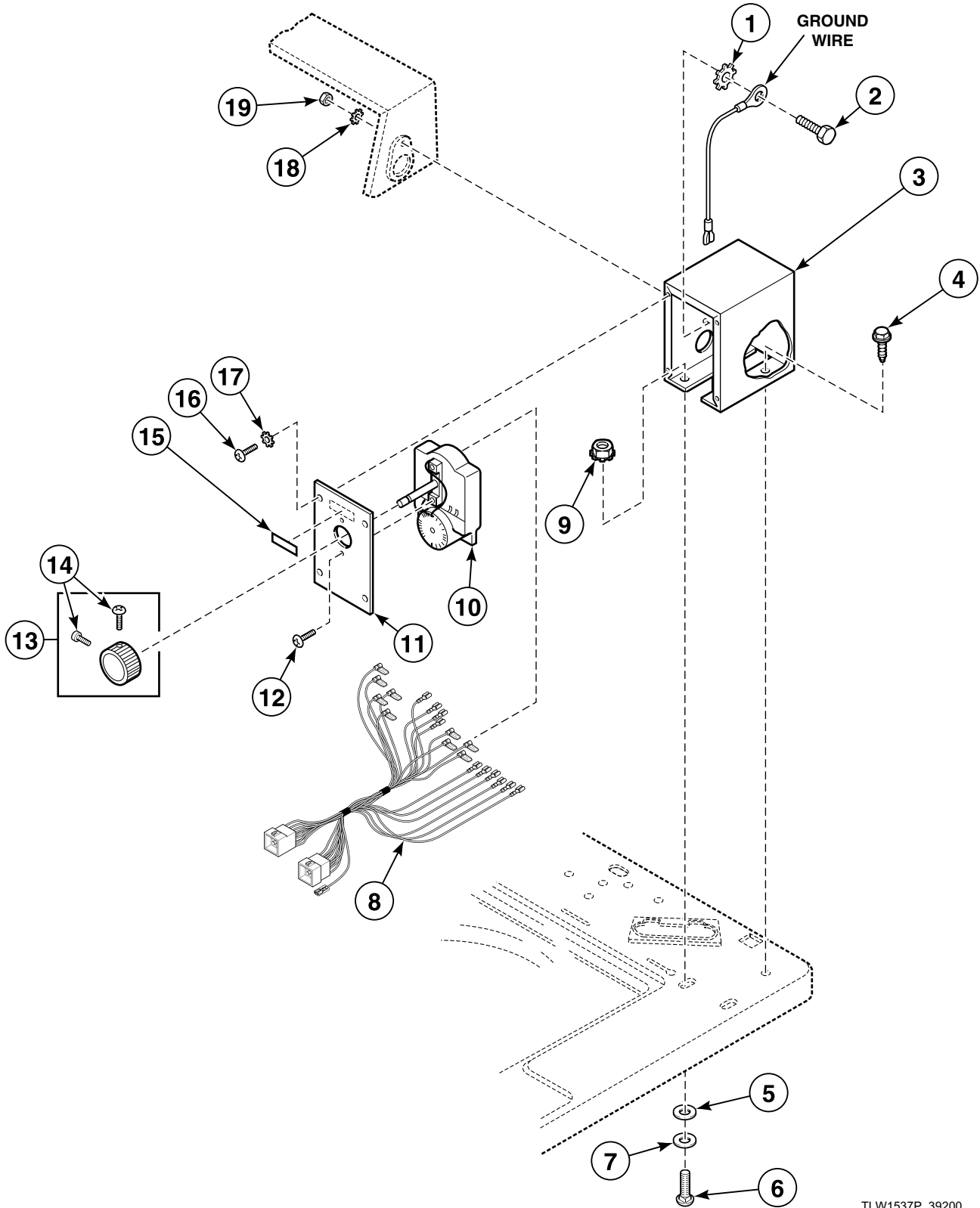
Information in this manual is applicable to these washer models:

BWTT20*N	SWL520*N	SWT220*A	SWT621*C	SWTH20*M
BWTX20*N	SWL521*N	SWT220*M	SWT621*D	SWTH20*N
HWT020*A	SWLB20*N	SWT220*M1124	SWT621*D1121	SWTH21*M
HWT020*C	SWLB21*N	SWT220*M99K5	SWT621*M	SWTH21*M99K5
HWT020*M	SWLF20*N	SWT220*N	SWT621*M1121	SWTH21*N
HWT020*N	SWLF21*N	SWT220*N1124	SWT720*A	SWTJ21*M
HWT110*A	SWLT20*N	SWT221*A	SWT720*M	SWTJ21*M99K5
HWT110*C	SWLT21*N	SWT221*M	SWT721*A	SWTJ21*N
HWT110*M	SWLY20*N	SWT221*M99K5	SWT721*M	SWTT20*M
HWT110*N	SWLY21*N	SWT221*N	SWT820*N	SWTT20*N
HWT120*A	SWNBC2PP111TW02	SWT2A0*N	SWT821*N	SWTT20*N99M6
HWT120*C	SWNBX2PP111TW02	SWT2A0*N1124	SWT910*N	SWTT21*M
HWT120*M	SWNSX2PP111TW02	SWT2B0*N1124	SWT910*N1124	SWTT21*N
HWT120*M99K5	SWT020*A	SWT320*A	SWT911*N	SWTV20*N
HWT120*N	SWT020*M	SWT320*M	SWT920*N	SWTW20*N
HWT121*C1123	SWT020*N	SWT321*A	SWT920*N1124	SWTW21*N
HWT121*M1123	SWT021*A	SWT321*M	SWT921*N	SWTX21*M
HWT1A0*N	SWT021*M	SWT420*A	SWTA21*M	SWTX21*N
HWT820*N	SWT021*N	SWT420*D	SWTA21*N	SWTY20*M
HWT910*N	SWT110*A	SWT420*M	SWTB20*M	SWTY20*N
HWT920*N	SWT110*M	SWT421*A	SWTB20*N	SWTY21*M
HWTT20*N	SWT110*N	SWT421*D	SWTB21*M	SWTY21*N
HWTV20*N	SWT111*A	SWT421*M	SWTB21*N	SWTZ20*M
HWTY20*M	SWT111*M	SWT520*A	SWTBA0*N	SWTZ20*N
HWTY20*N	SWT111*N	SWT520*M	SWTBA1*N	SWTZ21*M
HWTZ20*M	SWT120*A	SWT520*N	SWTC20*M	SWTZ21*N
HWTZ20*N	SWT120*M	SWT521*A	SWTC20*N	UWT021*A
JWT110*A	SWT120*N	SWT521*A1119	SWTC21*M	UWT021*M
JWT110*M	SWT121*A	SWT521*M	SWTC21*N	UWT021*N
JWT110*N	SWT121*A99G5	SWT521*M99K5	SWTF20*M	UWT821*N
JWT820*N	SWT121*M	SWT521*N	SWTF20*M99K5	
JWT910*N	SWT121*M99K5	SWT620*A	SWTF20*N	
JWT920*N	SWT121*N	SWT620*C	SWTF21*M	
NWT721*A1126	SWT210*A	SWT620*D	SWTF21*N	
NWTF21*M1126	SWT210*A1124	SWT620*M		
NWTF21*N1126	SWT210*M			
	SWT210*M1124			
	SWT210*M99K5			
	SWT210*N			
	SWT210*N1124			

* Add Letter To Designate Color. L - Almond Q - Bisque W - White

Timer, Case and Plate

Models HWT020*A, HWT020*C, HWT020*M, HWT020*N, SWT020*A, SWT020*M, SWT020*N, SWT021*A, SWT021*M, SWT021*N, UWT021*A, UWT021*M and UWT021*N



TLW1537P_39200

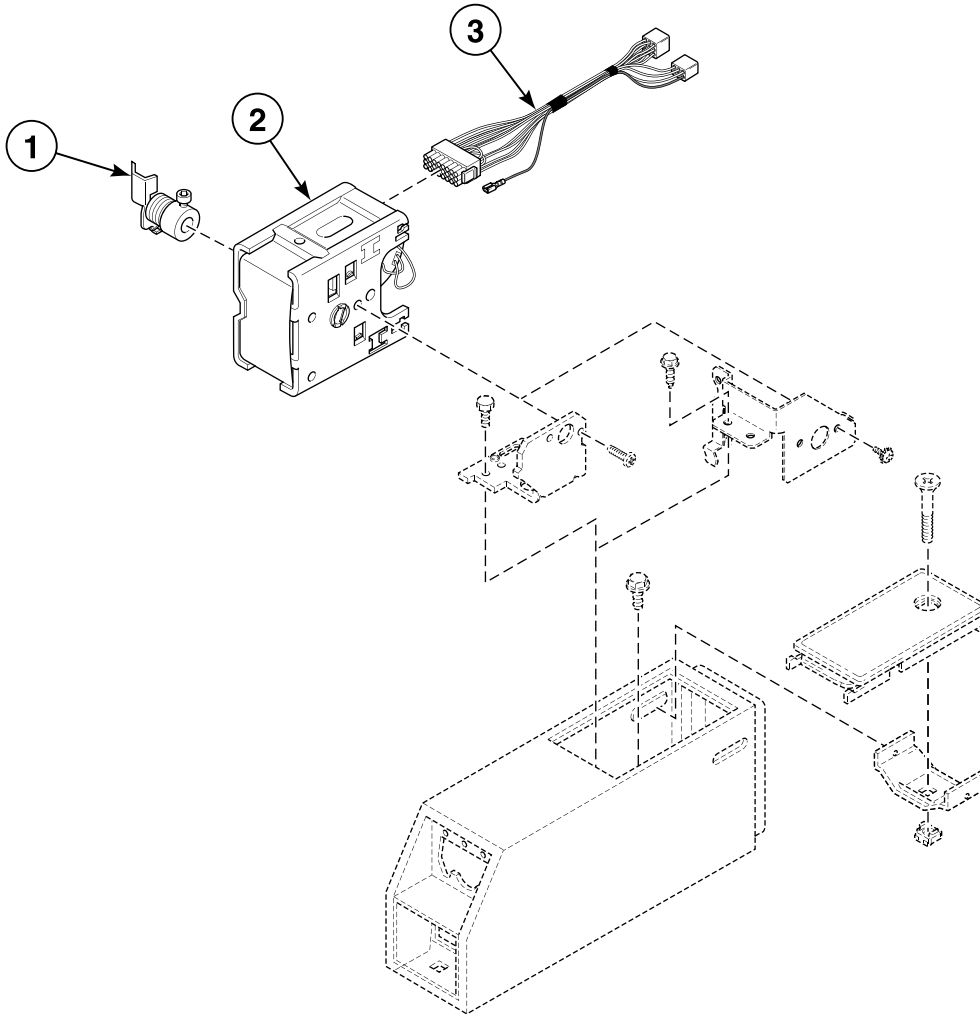
Timer, Case and Plate

REF	PART NO.	DESCRIPTION	COMMENTS
1	M400017	Washer	
2	02916	Screw	
3	37733W	Timer Case Assembly	
4	23962	Screw	
5	23225	Washer	Vinyl
6	02505	Bolt	
7	30627	Washer	
8	34092P	Wire Harness Assembly	
9	29786	Nut	
10	28716P	Timer	
11	31864W	Timer Plate	
12	27328	Screw	
13	26256	Timer Knob Assembly	
14	80399	Screw	
15	53738	Push-to-Start Sticker	
16	51778	Screw	
17	21734	Washer	
18	02431	Washer	
19	52566	Nut	

* Add Letter To Designate Color. L - Almond Q - Bisque W - White

Timer

Models HWT110*A, HWT110*C, HWT110*M, HWT110*N, HWT120*A, HWT120*C, HWT120*M, HWT120*M99K5, HWT120*N, HWT121*C1123, HWT121*M1123, HWT1A0*N, HWTV20*N, JWT110*A, JWT110*M, JWT110*N, SWT110*A, SWT110*M, SWT110*N, SWT111*A, SWT111*M, SWT111*N, SWT120*A, SWT120*M, SWT120*N, SWT121*A, SWT121*A99G5, SWT121*M, SWT121*M99K5, SWT121*N, SWT210*A, SWT210*A1124, SWT210*M, SWT210*M1124, SWT210*M99K5, SWT210*N, SWT210*N1124, SWT220*A, SWT220*M, SWT220*M1124, SWT220*M99K5, SWT220*N, SWT220*N1124, SWT221*A, SWT221*M, SWT221*M99K5, SWT221*N, SWT2A0*N, SWT2A0*N1124, SWT2B0*N1124, SWT320*A, SWT320*M, SWT321*A, SWT321*M, SWTV20*N, SWTW20*N and SWTW21*N



TLW1654P_39200

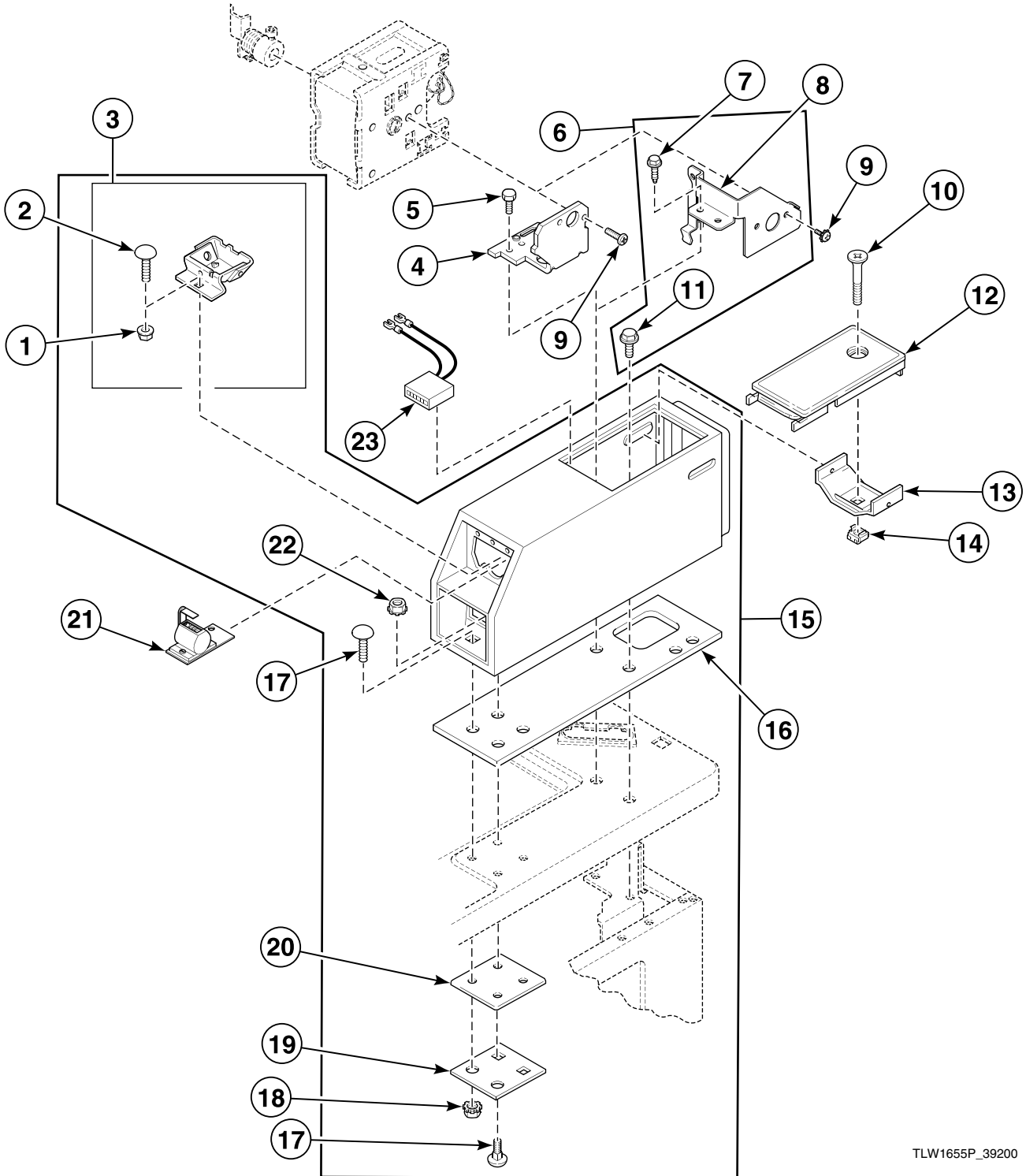
Timer

REF	PART NO.	DESCRIPTION	COMMENTS
1	29503	Clutch Assembly	
2	31111P	Timer	Models HWT110*A, HWT110*C, HWT110*M, HWT110*N, HWT120*A, HWT120*C, HWT120*M, HWT120*M99K5, HWT120*N, HWT121*C1123, HWT121*M1123, HWT1A0*N, JWT110*A, JWT110*M, JWT110*N, SWT110*A, SWT110*M, SWT110*N, SWT111*A, SWT111*M, SWT111*N, SWT120*A, SWT120*M, SWT120*N, SWT121*A, SWT121*A99G5, SWT121*M, SWT121*M99K5 and SWT121*N
	34601P	Timer	Models SWT210*A, SWT210*M, SWT210*M1124, SWT210*M99K5, SWT210*N, SWT210*N1124, SWT220*A, SWT220*M, SWT220*M1124, SWT220*M99K5, SWT220*N, SWT220*N1124, SWT221*A, SWT221*M, SWT221*M99K5, SWT221*N, SWT2A0*N, SWT2A0*N1124 and SWT2B0*N1124
	34602P	Timer	Models SWT320*A, SWT320*M, SWT321*A and SWT321*M
	34603P	Timer	Model SWT210*A1124
	200914P	Timer	Models HWTV20*N and SWTV20*N
	201066	Timer	Models SWTW20*N and SWTW21*N
3	29281P	Timer Harness Assembly	Models HWT120*A, HWT120*C, HWT120*M, HWT120*M99K5, HWT120*N, HWT121*C1123, HWT121*M1123, HWT1A0*N, HWTV20*N, SWT120*A, SWT120*M, SWT120*N, SWT121*A, SWT121*A99G5, SWT121*M, SWT121*M99K5, SWT121*N, SWT220*A, SWT220*M, SWT220*M1124, SWT220*M99K5, SWT220*N, SWT220*N1124, SWT221*A, SWT221*M, SWT221*M99K5, SWT221*N, SWT2A0*N, SWT2A0*N1124, SWTV20*N, SWTW20*N and SWTW21*N
	34175P	Timer Wire Harness Assembly	Models SWT320*A, SWT320*M, SWT321*A and SWT321*M
	39806P	Timer Harness Assembly	All other models

* Add Letter To Designate Color. L - Almond Q - Bisque W - White

Coin Slide Meter Case and Service Door

Models HWT110*A, HWT110*C, HWT110*M, HWT110*N, HWT120*A, HWT120*C, HWT120*M, HWT120*M99K5, HWT120*N, HWT121*C1123, HWT121*M1123, HWT1A0*N, HWTV20*N, JWT110*A, JWT110*M, JWT110*N, SWT110*A, SWT110*M, SWT110*N, SWT111*A, SWT111*M, SWT111*N, SWT120*A, SWT120*M, SWT120*N, SWT121*A, SWT121*A99G5, SWT121*M, SWT121*M99K5, SWT121*N, SWT210*A, SWT210*A1124, SWT210*M, SWT210*M1124, SWT210*M99K5, SWT210*N, SWT210*N1124, SWT220*A, SWT220*M, SWT220*M1124, SWT220*M99K5, SWT220*N, SWT220*N1124, SWT221*A, SWT221*M, SWT221*M99K5, SWT221*N, SWT2A0*N, SWT2A0*N1124, SWT2B0*N1124, SWT320*A, SWT320*M, SWT321*A, SWT321*M, SWTV20*N, SWTW20*N and SWTW21*N



TLW1655P_39200

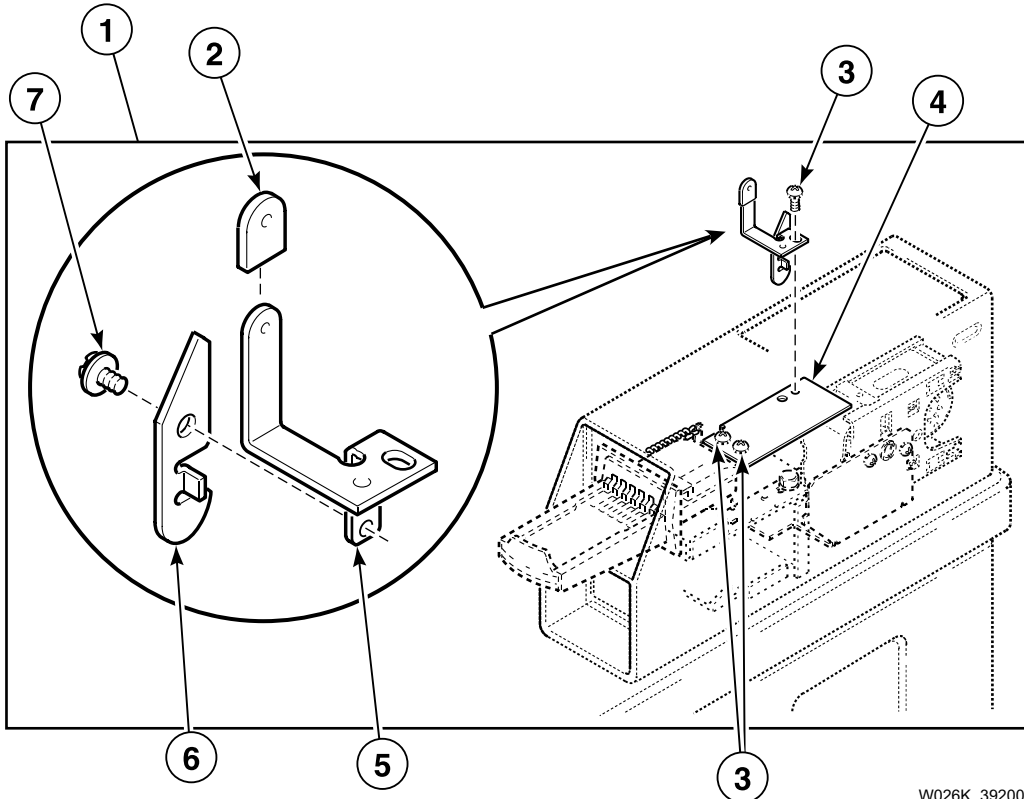
Coin Slide Meter Case and Service Door

REF	PART NO.	DESCRIPTION	COMMENTS
1	29796	Nut	
2	29651	Bolt	
3	523P3	Coin Funnel Kit	
4	35249	Timer Bracket	Use with 524P3* Meter Case and Funnel Kit
5	36048	Screw	
6	789P3	Long Vault Timer Bracket Kit	Use with 201010*P Meter Case Kit; Includes items 7, 8 and 11
7	503688	Screw	2 required; Use with item 8
8	200832	Long Vault Timer Bracket	Use with 201010*P Meter Case Kit
9	21720	Screw	
10	503673	Screw	
11	502431	Screw	Use with 524P3* Meter Case and Funnel Kit
	36048	Screw	Use with 201010*P Meter Case Kit
12	39874WP	Service Door Assembly	White
	39874LP	Service Door Assembly	Almond
	39874QP	Service Door Assembly	Bisque
13	30642	Meter Case Locking Bracket	
14	30647	Nut	
15	524P3W	Meter Case and Funnel Kit	Models through Serial No. 0210004769; White; Includes items 3, 16-20 and 22
	524P3L	Meter Case and Funnel Kit	Models through Serial No. 0210004769; Almond; Includes items 3, 16-20 and 22
	524P3Q	Meter Case and Funnel Kit	Models through Serial No. 0210004769; Bisque; Includes items 3, 16-20 and 22
	201010WP	Meter Case Kit	Models starting Serial No. 0210004770; White; Use with larger coin drawer; Includes items 3, 16-20 and 22
	201010LP	Meter Case Kit	Models starting Serial No. 0210004770; Almond; Use with larger coin drawer; Includes items 3, 16-20 and 22
	201010QP	Meter Case Kit	Models starting Serial No. 0210004770; Bisque; Use with larger coin drawer; Includes items 3, 16-20 and 22
16	26354	Meter Case Gasket	
17	02505	Bolt	
18	29786	Nut	
19	35525	Meter Case Lockdown Bracket	
20	35526	Meter Case Bracket Gasket	
21	201280P	Mechanical Counter Kit Assembly	Use with 201010*P Meter Case Kit
22	802337	Nut	
23	62113P	Counter Kit	Models SWT320*A, SWT320*M, SWT321*A and SWT321*M

* Add Letter To Designate Color. L - Almond Q - Bisque W - White

Coin Slide Start Security Kit

Models HWT110*A, HWT110*C, HWT110*M, HWT110*N, HWT120*A, HWT120*C, HWT120*M, HWT120*M99K5, HWT120*N, HWT121*C1123, HWT121*M1123, HWT1A0*N, HWTV20*N, JWT110*A, JWT110*M, JWT110*N, SWT110*A, SWT110*M, SWT110*N, SWT111*A, SWT111*M, SWT111*N, SWT120*A, SWT120*M, SWT120*N, SWT121*A, SWT121*A99G5, SWT121*M, SWT121*M99K5, SWT121*N, SWT210*A, SWT210*A1124, SWT210*M, SWT210*M1124, SWT210*M99K5, SWT210*N, SWT210*N1124, SWT220*A, SWT220*M, SWT220*M1124, SWT220*M99K5, SWT220*N, SWT220*N1124, SWT221*A, SWT221*M, SWT221*M99K5, SWT221*N, SWT2A0*N, SWT2A0*N1124, SWT2B0*N1124, SWT320*A, SWT320*M, SWT321*A, SWT321*M, SWTV20*N, SWTW20*N and SWTW21*N
Models Starting Serial No. 0210004770



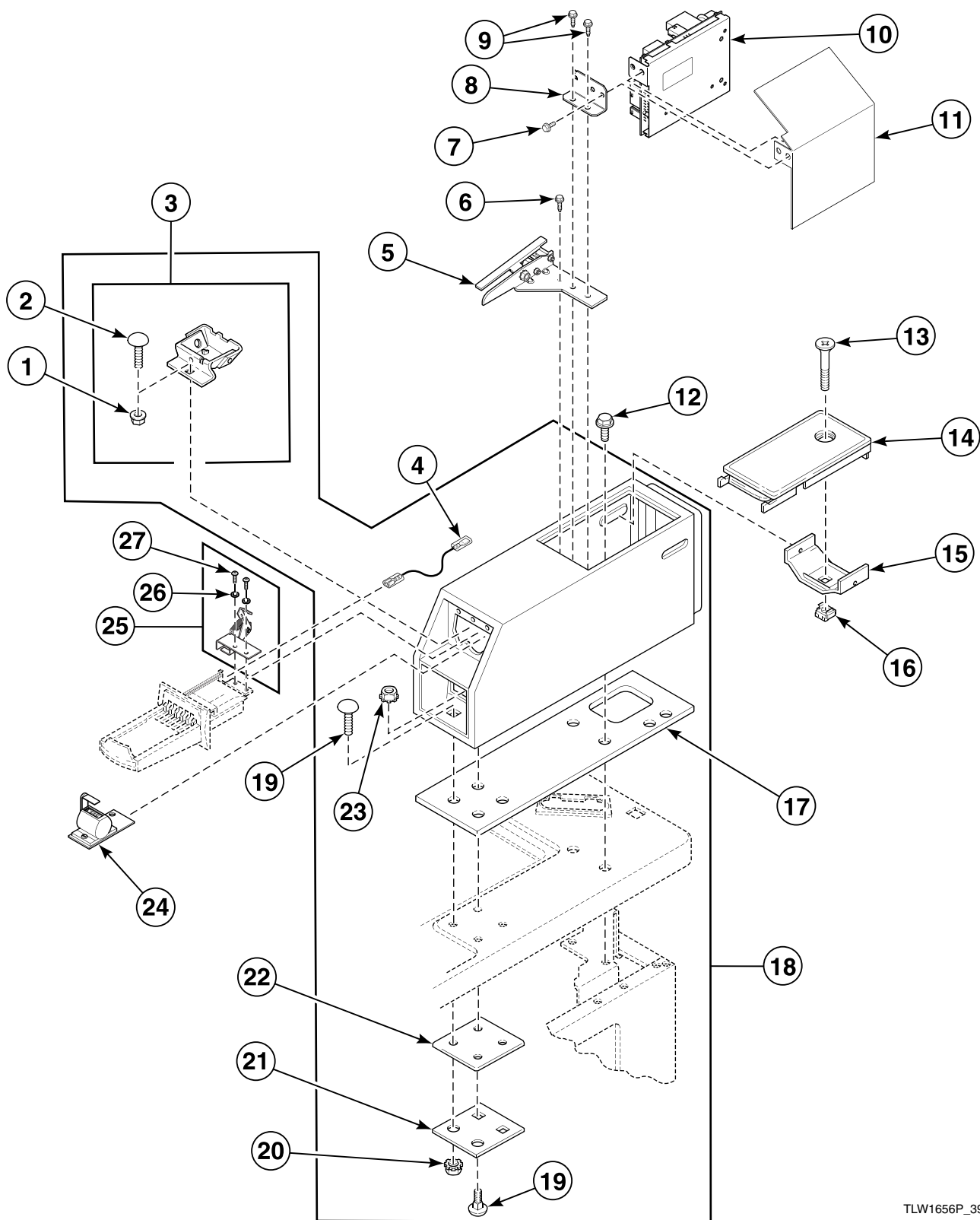
W026K_39200

Coin Slide Start Security Kit

REF	PART NO.	DESCRIPTION	COMMENTS
1	552P3	Coin Slide Kit	Includes items 2-7
2	36165	Plastic Boot	
3	511419	Screw	
4	501483	Coin Slide Extension	
5	36163	Actuator Support	
6	36164	Actuator	
7	36166	Screw	

Coin Slide Extension, Meter Case and Service Door

Models HWT910*N, HWT920*N, JWT910*N, JWT920*N, SWNSX2PP111TW02,
SWT910*N, SWT910*N1124, SWT911*N, SWT920*N, SWT920*N1124 and SWT921*N



TLW1656P_39200

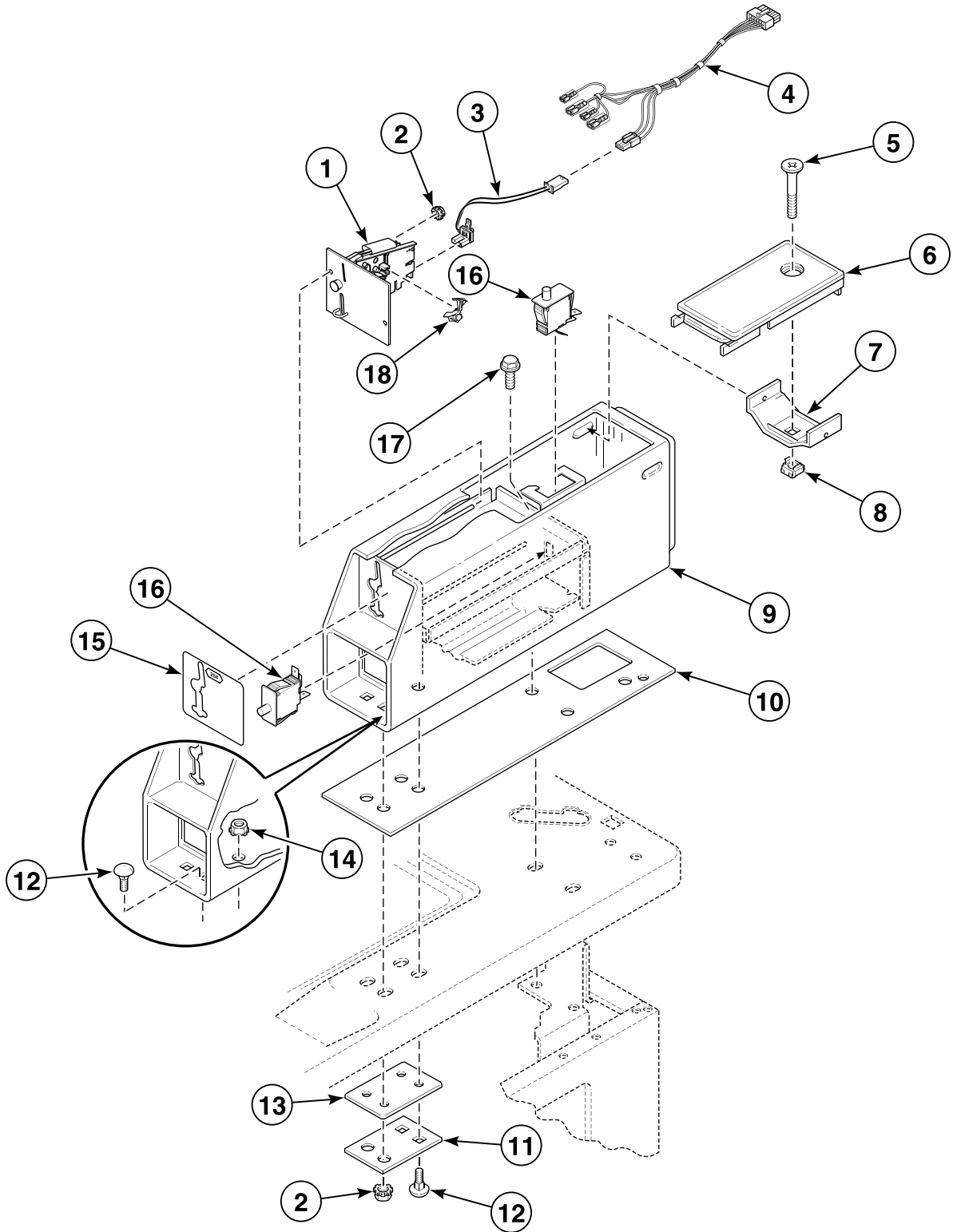
Coin Slide Extension, Meter Case and Service Door

REF	PART NO.	DESCRIPTION	COMMENTS
1	29796	Nut	
2	29651	Bolt	All models except SWNSX2PP111TW02
3	523P3	Coin Funnel Kit	All models except SWNSX2PP111TW02
4	513131	Jumper Assembly	Model SWNSX2PP111TW02; Hood harness to coin slide switch
5	201917P	Switch Mount Assembly	All models except SWNSX2PP111TW02
6	51782	Screw	All models except SWNSX2PP111TW02
7	501524	Screw	
8	201581	Chassis Mounting Bracket	
9	503688	Screw	
10	201577P	Control Assembly	
11	512304	Control Shield	
12	36048	Screw	
13	503673	Screw	All models except SWNSX2PP111TW02
14	803043WP	Service Door Assembly	Model SWNSX2PP111TW02
	39874WP	Service Door Assembly	White; All other models
	39874QP	Service Door Assembly	Bisque; All other models
15	30642	Meter Case Locking Bracket	All models except SWNSX2PP111TW02
16	30647	Nut	All models except SWNSX2PP111TW02
17	26354	Meter Case Gasket	
18	803074W	Meter Case Assembly	Model SWNSX2PP111TW02
	201010WP	Meter Case Kit	White; Includes items 3, 16 and 18-22; All other models
	201010QP	Meter Case Kit	Bisque; Includes items 3, 16 and 18-22; All other models
19	02505	Bolt	
20	29786	Nut	
21	35525	Meter Case Lockdown Bracket	
22	35526	Meter Case Bracket Gasket	
23	802337	Nut	
24	201280P	Mechanical Counter Kit Assembly	
25	201915	Slide Extension Assembly	All models except SWNSX2PP111TW02
26	03815	Washer	All models except SWNSX2PP111TW02
27	27328	Screw	All models except SWNSX2PP111TW02

* Add Letter To Designate Color. L - Almond Q - Bisque W - White

Coin Drop, Meter Case and Service Door

Models BWTT20*N, BWTX20*N, HWTT20*N, HWTZ20*M, HWTZ20*N, SWL520*N, SWL521*N, SWLB20*N, SWLB21*N, SWLT20*N, SWLT21*N, SWNBC2PP111TW02, SWNBX2PP111TW02, SWT420*A, SWT420*D, SWT420*M, SWT421*A, SWT421*D, SWT421*M, SWT520*A, SWT520*M, SWT520*N, SWT521*A, SWT521*A1119, SWT521*M, SWT521*M99K5, SWT521*N, SWTA21*M, SWTA21*N, SWTB20*M, SWTB20*N, SWTB21*M, SWTB21*N, SWTBA0*N, SWTBA1*N, SWTH20*M, SWTH20*N, SWTH21*M, SWTH21*M99K5, SWTH21*N, SWTT20*M, SWTT20*N, SWTT20*N99M6, SWTT21*M, SWTT21*N, SWTX21*M, SWTX21*N, SWTZ20*M, SWTZ20*N, SWTZ21*M and SWTZ21*N



TLW1621P_39200

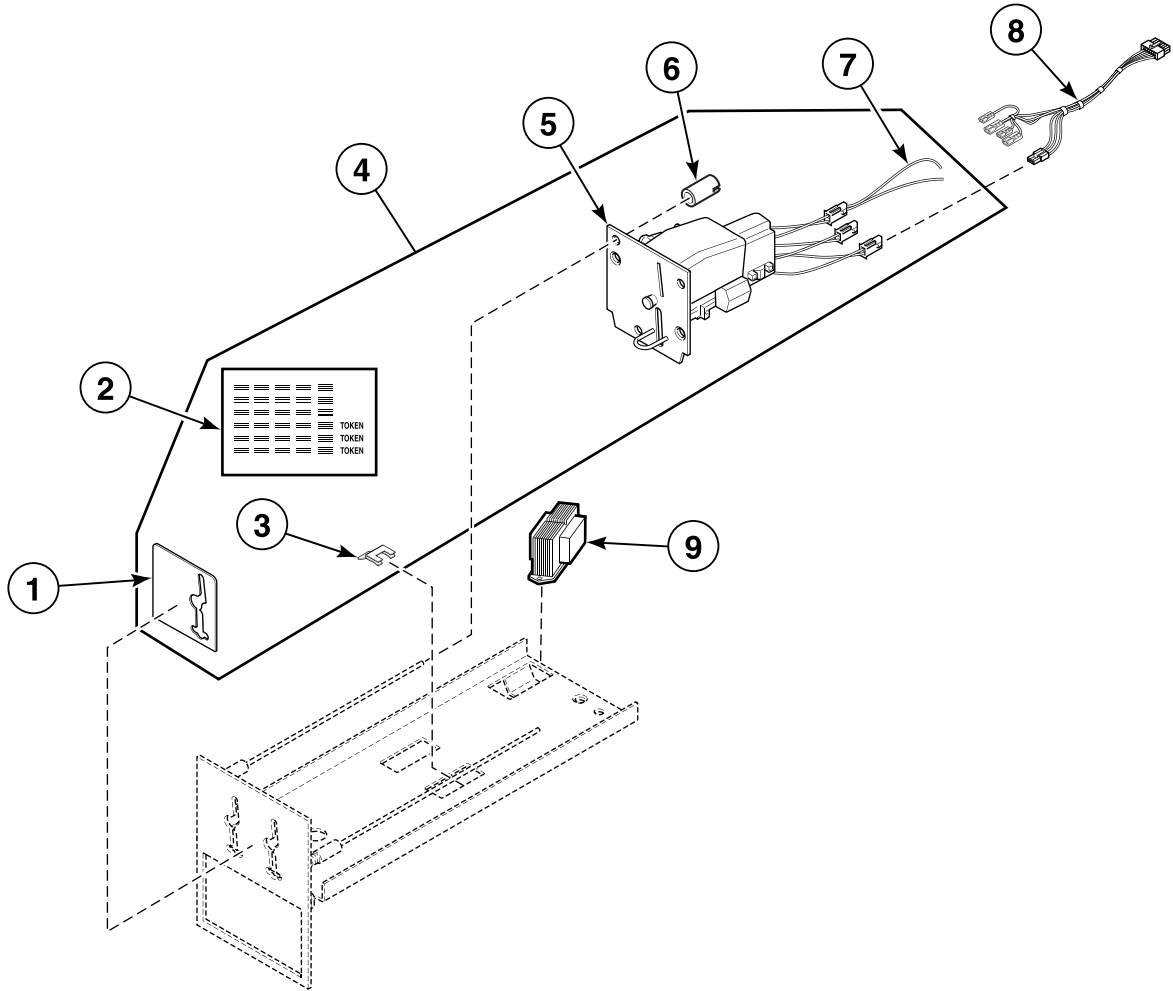
Coin Drop, Meter Case and Service Door

REF	PART NO.	DESCRIPTION	COMMENTS
1	38479P	Coin Drop	U.S.A. \$.25
	38462P	Coin Drop Assembly	Token 118-1
	38463	Coin Drop Assembly	Token 118-5
	38963P	Coin Drop	Token 118-16 5nt
2	29786	Nut	
3	200674P	Opto Coupler	
4	802905	Harness Assembly	Models BWTX20*N, SWNBX2PP111TW02, SWTA21*M, SWTA21*N, SWTX21*M and SWTX21*N
	39955P	Meter Case Wire Harness Kit	Models SWL520*N, SWL521*N, SWT420*A, SWT420*D, SWT420*M, SWT421*A, SWT421*D, SWT421*M, SWT520*A, SWT520*M, SWT520*N, SWT521*A, SWT521*M, SWT521*M99K5 and SWT521*N
	38848	Wire Harness Assembly	Audit; Model SWT521*A1119
	802904P	Harness Assembly	All other models
5	503673	Screw	All other models
6	803043WP	Service Door Assembly	Models SWNBC2PP111TW02 and SWNBX2PP111TW02
	39874WP	Service Door Assembly	White; All other models
	39874LP	Service Door Assembly	Almond; All other models
	39874QP	Service Door Assembly	Bisque; All other models
7	30642	Meter Case Locking Bracket	All models except SWNBC2PP111TW02 and SWNBX2PP111TW02
8	30647	Nut	All models except SWNBC2PP111TW02 and SWNBX2PP111TW02
9	513104W	Meter Case Assembly	Models SWNBC2PP111TW02 and SWNBX2PP111TW02
	38724W	Meter Case Assembly	White; All other models
	38724L	Meter Case Assembly	Almond; All other models
	38724Q	Meter Case Assembly	Bisque; All other models
10	26354	Meter Case Gasket	
11	35525	Meter Case Lockdown Bracket	
12	02505	Bolt	
13	35526	Meter Case Bracket Gasket	
14	802337	Nut	
15	202123	Single Overlay	Models SWNBC2PP111TW02 and SWNBX2PP111TW02
	38717	Single Overlay	All other models
16	504570	Switch	
17	36048	Screw	
18	201595P	Wire Guard	Anti-stringing security device; Add to coin drops beginning January 2005

* Add Letter To Designate Color. L - Almond Q - Bisque W - White

Electronic Coin Drop

Models BWTT20*N, BWTX20*N, HWTT20*N, HWTZ20*M, HWTZ20*N, SWLB20*N, SWLB21*N, SWLT20*N, SWLT21*N, SWNBC2PP111TW02, SWNBX2PP111TW02, SWTA21*M, SWTA21*N, SWTB20*M, SWTB20*N, SWTB21*M, SWTB21*N, SWTBA0*N, SWTBA1*N, SWTH20*M, SWTH20*N, SWTH21*M, SWTH21*M99K5, SWTH21*N, SWTT20*M, SWTT20*N, SWTT20*N99M6, SWTT21*M, SWTT21*N, SWTX21*M, SWTX21*N, SWTZ20*M, SWTZ20*N, SWTZ21*M and SWTZ21*N



TLW1638P_39200

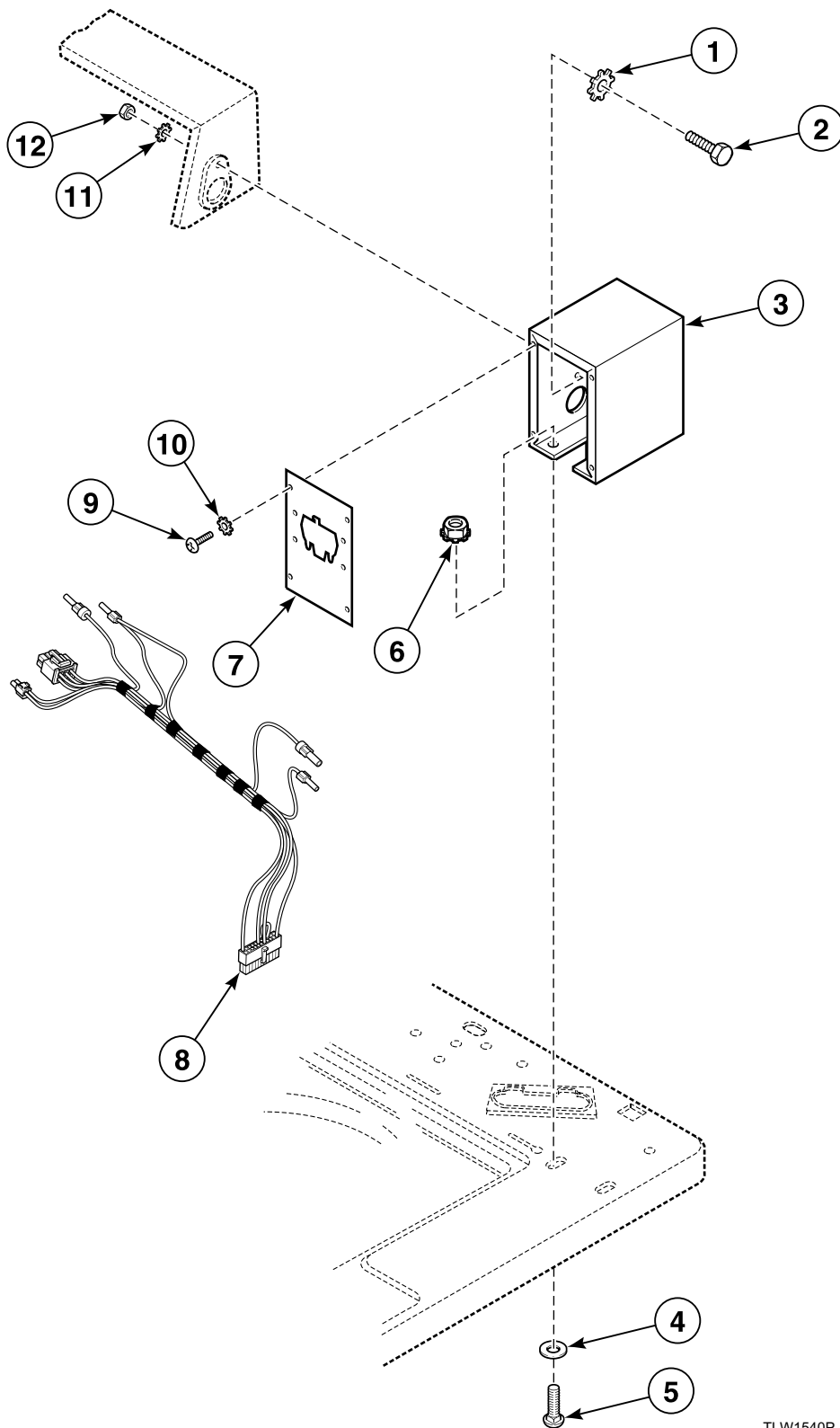
Electronic Coin Drop

REF	PART NO.	DESCRIPTION	COMMENTS
1	201091	Overlay	
2	38725	Coin Identification Paper	
3	201572	Clip	
4	CK095	Electronic Coin Drop Kit	Includes items 1, 2, 4-6 and 9; Models BWTT20*N, HWTT20*N, HWTZ20*M, HWTZ20*N, SWLB20*N, SWLB21*N, SWLT20*N, SWLT21*N, SWNBC2PP111TW02, SWTB20*M, SWTB20*N, SWTB21*M, SWTB21*N, SWTBA0*N, SWTBA1*N, SWTH20*M, SWTH20*N, SWTH21*M, SWTH21*M99K5, SWTH21*N, SWTT20*M, SWTT20*N, SWTT20*N99M6, SWTT21*M, SWTT21*N, SWTZ20*M, SWTZ20*N, SWTZ21*M, SWTZ21*N also order items 6 and 7
5	70294101P	Electronic Coin Drop Assembly	Models BWTT20*N, HWTT20*N, HWTZ20*M, HWTZ20*N, SWLB20*N, SWLB21*N, SWLT20*N, SWLT21*N, SWNBC2PP111TW02, SWTB20*M, SWTB20*N, SWTB21*M, SWTB21*N, SWTBA0*N, SWTBA1*N, SWTH20*M, SWTH20*N, SWTH21*M, SWTH21*M99K5, SWTH21*N, SWTT20*M, SWTT20*N, SWTT20*N99M6, SWTT21*M, SWTT21*N, SWTZ20*M, SWTZ20*N, SWTZ21*M, SWTZ21*N also order items 6 and 7
6	201216	Nut	
7	201104	Coin Drop Wire Harness	
8	802905	Harness Assembly	Electronic drop requires this harness. If unit is not factory-equipped with this harness, it must be ordered separately.
9	201375P	Transformer	Electronic drop requires this transformer. If unit is not factory-equipped with this transformer, it must be ordered separately.

* Add Letter To Designate Color. L - Almond Q - Bisque W - White

Timer Case

Models SWT620*A, SWT620*C, SWT620*D, SWT620*M, SWT621*C, SWT621*D, SWT621*M, SWTC20*M, SWTC20*N, SWTC21*M and SWTC21*N



TLW1540P_39200

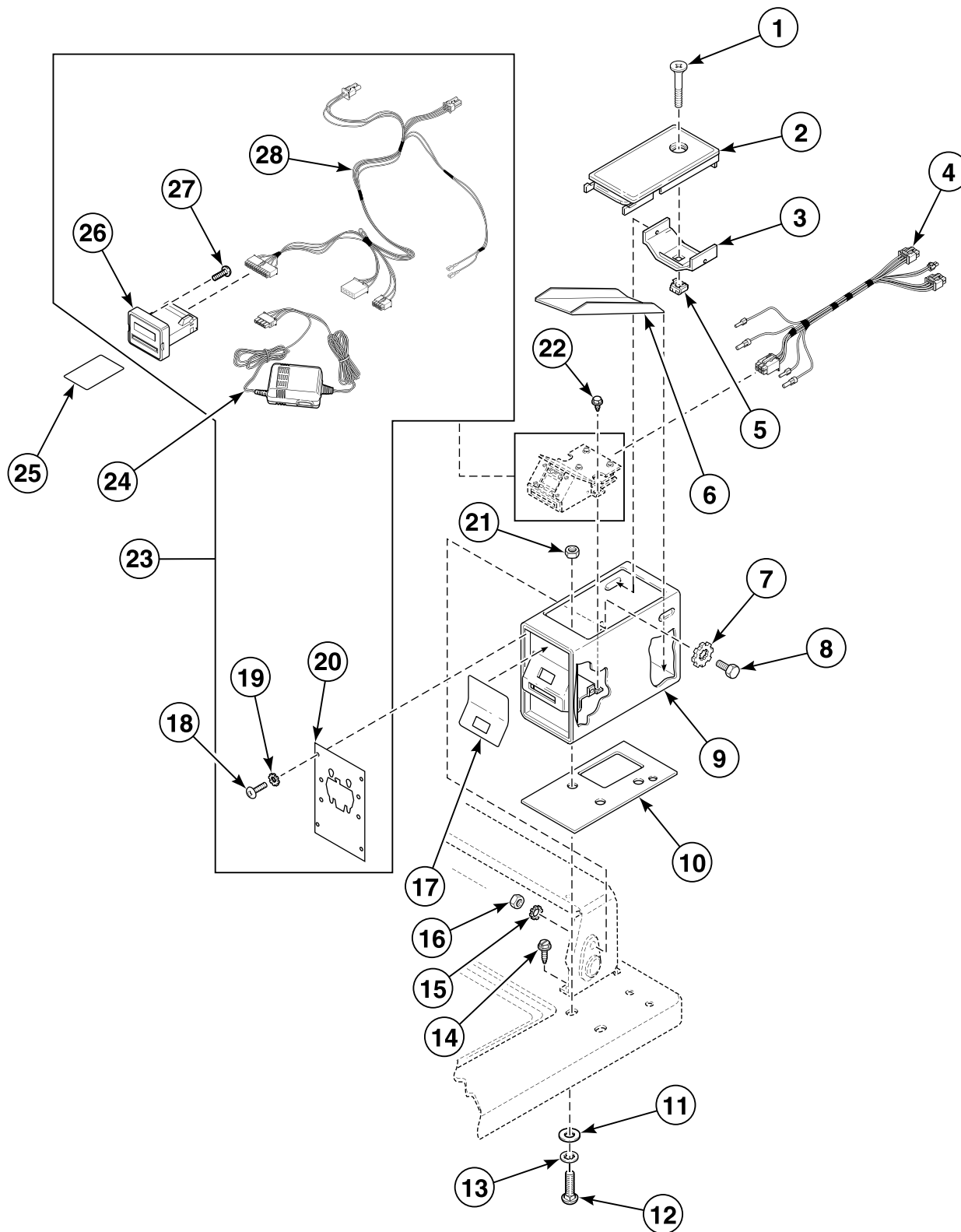
Timer Case

REF	PART NO.	DESCRIPTION	COMMENTS
1	M400017	Washer	
2	02916	Screw	
3	37733W	Timer Case Assembly	
4	30627	Washer	
5	02505	Bolt	
6	29786	Nut	
7	39481W	Timer Plate	White; All models except SWT620*A
	39481L	Timer Plate	Almond; All models except SWT620*A
8	38026	Security Wire Harness Assembly	Security box; Models SWT620*A, SWT620*C, SWT620*D, SWT620*M, SWT621*C, SWT621*D and SWT621*M
	800728	Card Reader Harness Assembly	Models SWTC20*M, SWTC20*N, SWTC21*M and SWTC21*N
9	51778	Screw	All models except SWT620*A
10	21734	Washer	All models except SWT620*A
11	02431	Washer	
12	52566	Nut	

* Add Letter To Designate Color. L - Almond Q - Bisque W - White

Security Case and Card Reader

Models NWT721*A1126, SWT621*D1121, SWT621*M1121, SWT720*A, SWT720*M, SWT721*A and SWT721*M



TLW1618P_39200

Security Case and Card Reader

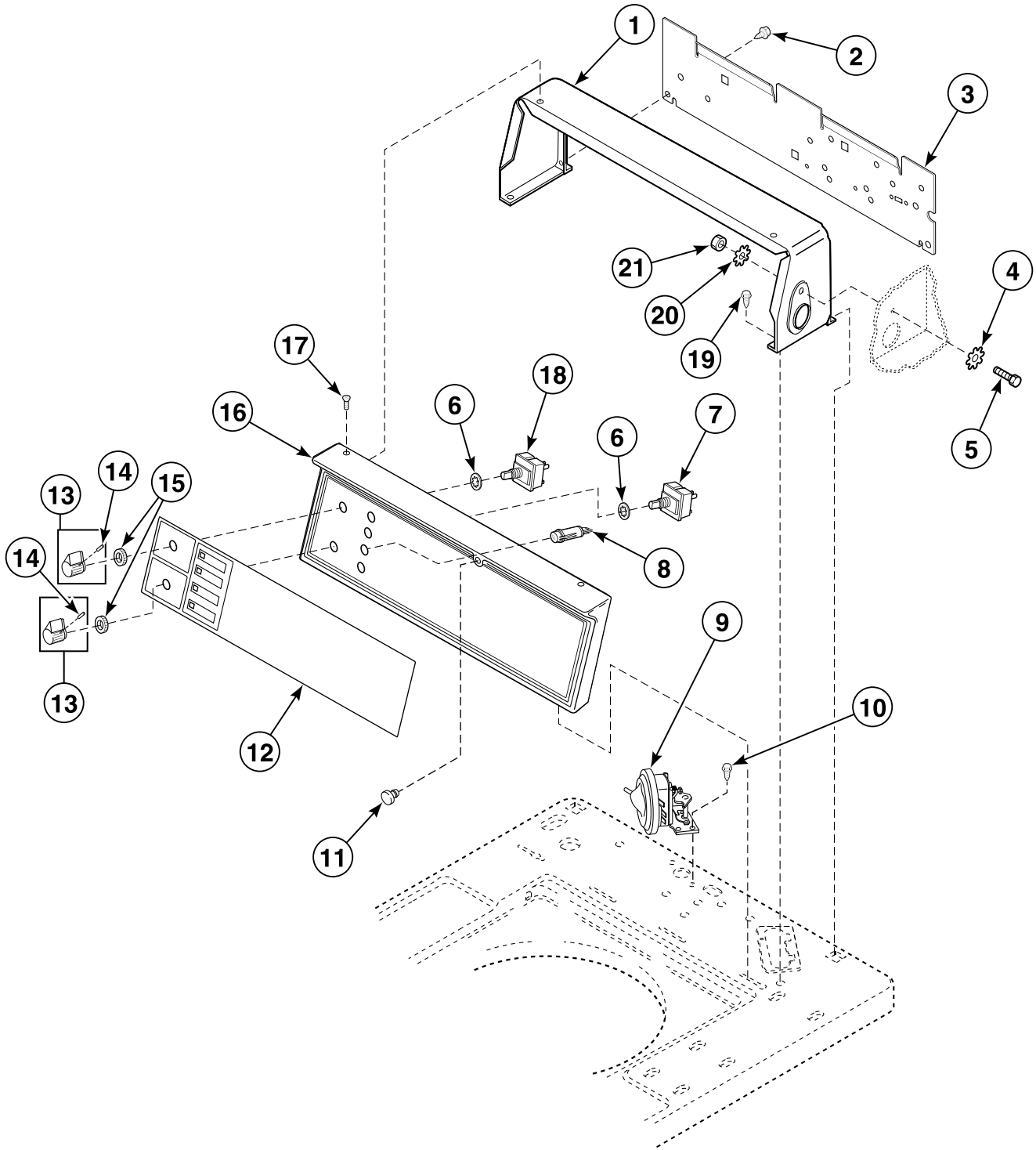
REF	PART NO.	DESCRIPTION	COMMENTS
1	503673	Screw	
2	39874WP	Service Door Assembly	White
	39874LP	Service Door Assembly	Almond
	39874QP	Service Door Assembly	Bisque
3	30642	Meter Case Locking Bracket	
4	38191	Card Reader Wire Harness Assembly	Models SWT720*A, SWT720*M, SWT721*A and SWT721*M; Use with 39685 Card Reader
	800125P	Card Reader Wire Harness Assembly	Model NWT721*A1126
5	30647	Nut	
6	N/A	Shield	Models NWT721*A1126, SWT720*A, SWT720*M, SWT721*A and SWT721*M
7	M400017	Washer	
8	02916	Screw	
9	N/A	Card Reader Case Assembly	White; Models SWT621*D1121 and SWT621*M1121; Use with 39685 Card Reader
	39745L	Card Reader Case Assembly	Almond; Models SWT621*D1121 and SWT621*M1121; Use with 39685 Card Reader
	N/A	Security Case Assembly	All other models; Use with 39685 Card Reader
	37733W	Timer Case Assembly	Use with card reader kit
10	N/A	Security Case Gasket	
11	23225	Washer	
12	02505	Bolt	
13	30627	Washer	
14	23962	Screw	
15	02431	Washer	
16	52566	Nut	
17	N/A	Card Reader Instruction Overlay	Model NWT721*A1126; Use with 39685 Card Reader
	38192	Card Reader Instruction Overlay	Models SWT720*A, SWT720*M, SWT721*A and SWT721*M; Use with 39685 Card Reader
18	51778	Screw	Use with card reader kit
19	21734	Washer	Use with card reader kit
20	39481W	Timer Plate	Use with card reader kit
21	29786	Nut	
22	52909	Screw	
23	874P3	Card Reader Kit	Models NWT721*A1126, SWT720*A, SWT720*M, SWT721*A and SWT721*M; Includes items 9, 18-20, 24 and 26-28
24	512496	Power Supply	
25	512499P	Programming Card	
26	512473	Card Reader	
27	512504	Screw	
28	512501	Harness	

* Add Letter To Designate Color. L - Almond Q - Bisque W - White

N/A = Part no longer available

Control Panel, Control Hood and Controls (Drawing 1 of 13)

Models HWT020*A, HWT020*C, HWT020*M, HWT020*N, HWT110*A, HWT110*C, HWT110*M, HWT110*N, HWT120*A, HWT120*C, HWT120*M, HWT120*M99K5, HWT120*N, HWT121*C1123, HWT121*M1123, JWT110*A, JWT110*M, JWT110*N, SWT020*A, SWT020*M, SWT020*N, SWT021*A, SWT021*M, SWT021*N, SWT110*A, SWT110*M, SWT110*N, SWT111*A, SWT111*M, SWT111*N, SWT120*A, SWT120*M, SWT120*N, SWT121*A, SWT121*A99G5, SWT121*M, SWT121*M99K5, SWT121*N, SWT210*A, SWT210*A1124, SWT210*M, SWT210*M1124, SWT210*M99K5, SWT210*N, SWT210*N1124, SWT220*A, SWT220*M, SWT220*M1124, SWT220*M99K5, SWT220*N, SWT220*N1124, SWT221*A, SWT221*M, SWT221*M99K5, SWT221*N, SWT320*A, SWT320*M, SWT321*A, SWT321*M, UWT021*A, UWT021*M and UWT021*N



W119P_39200

Control Panel, Control Hood and Controls (Drawing 1 of 13)

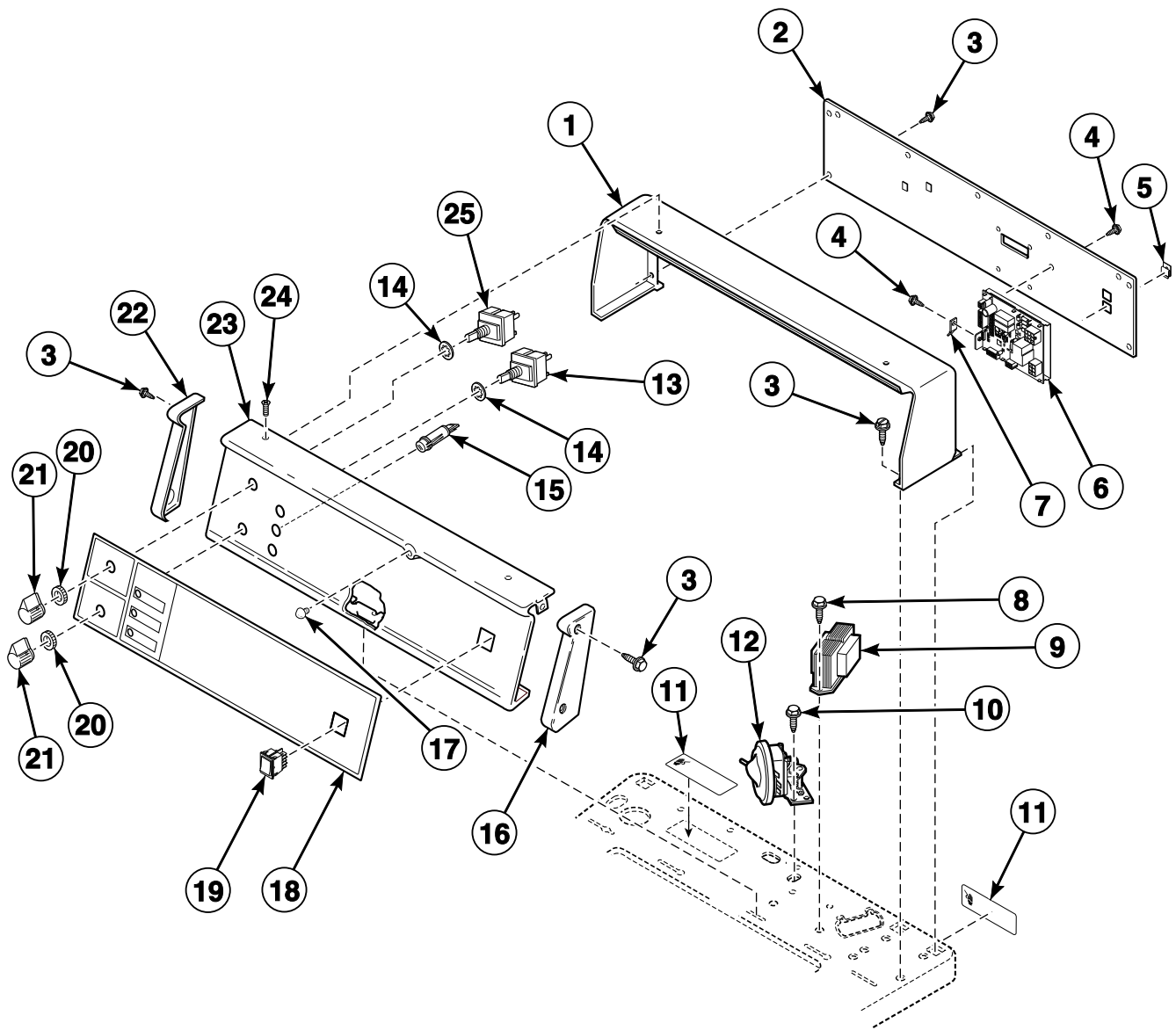
REF	PART NO.	DESCRIPTION	COMMENTS	
1	37075W	Control Hood	White	
	37075L	Control Hood	Almond	
	37075Q	Control Hood	Bisque	
2	23222	Screw		
3	38267	Hood Back Panel		
4	M400017	Washer		
5	02916	Screw		
6	91176	Washer		
7	27762	Switch	2 speed models	
8	32464	Light	Nonmetered models 3 required; Metered models 2 required (1 rinse and 1 spin)	
	32466	Light	In use	
9	35889P	Pressure Switch		
10	23962	Screw		
11	32648	Control Panel Bumper		
	M400795	Bumper	Extra thick	
12	201258	Graphic Overlay	Models SWT110*A, SWT110*M, SWT110*N, SWT111*A, SWT111*M, SWT111*N, SWT210*A, SWT210*A1124, SWT210*M, SWT210*M99K5 and SWT210*N	
	201259	Graphic Overlay	Models SWT020*A, SWT020*M, SWT020*N, SWT021*A, SWT021*M, SWT021*N, SWT120*A, SWT120*M, SWT120*N, SWT121*A, SWT121*A99G5, SWT121*M, SWT121*M99K5, SWT121*N, SWT220*A, SWT220*M, SWT220*M99K5, SWT220*N, SWT221*A, SWT221*M, SWT221*M99K5, SWT221*N, SWT320*A, SWT320*M, SWT321*A and SWT321*M	
	201264	Control Panel Overlay	Models JWT110*A, JWT110*M and JWT110*N	
	N/A	Graphic Overlay	Models HWT020*A and HWT120*A	
	N/A	Control Panel Overlay	Model HWT110*A	
	201274	Control Panel Overlay	Models UWT021*A, UWT021*M and UWT021*N	
	201267	Graphic Overlay	Models HWT110*C, HWT110*M and HWT110*N	
	201266	Graphic Overlay	Models HWT020*C, HWT020*M, HWT020*N, HWT120*C, HWT120*M, HWT120*M99K5 and HWT120*N	
	N/A	Control Panel Overlay	Models HWT121*C1123 and HWT121*M1123	
	201262	Control Panel Overlay	Models SWT210*M1124 and SWT210*N1124	
	201263	Control Panel Overlay	Models SWT220*M1124 and SWT220*N1124	
	13	39897	Switch Knob	
	14	N/A	Screw	
15	24205	Nut		
16	36521WP	Control Panel and Bracket Assembly	White	
	36521LP	Control Panel and Bracket Assembly	Almond	
	36521QP	Control Panel and Bracket Assembly	Bisque	
17	500226	Screw	Phillips head	
	35528	Screw	Torx head	
18	81799	Water Temperature Switch		
19	501086	Screw		
20	02431	Washer		
21	52566	Nut		

* Add Letter To Designate Color. L - Almond Q - Bisque W - White

N/A = Part no longer available

Control Panel, Control Hood and Controls (Drawing 2 of 13)

Models HWT820*N, JWT820*N, SWT820*N, SWT821*N and UWT821*N



TLW1602P_39200

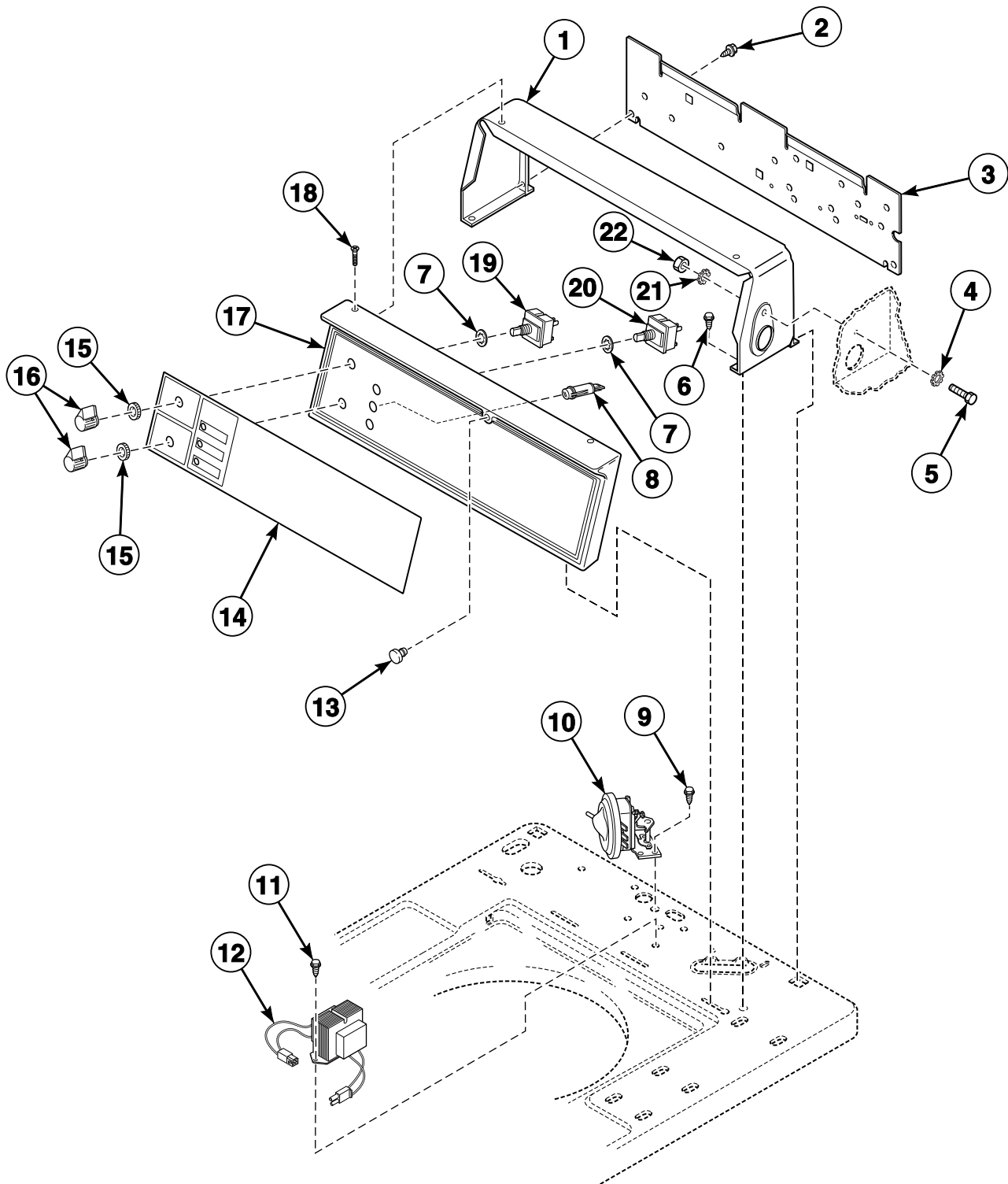
Control Panel, Control Hood and Controls (Drawing 2 of 13)

REF	PART NO.	DESCRIPTION	COMMENTS
1	210142W	Control Hood	
2	201732	Rear Panel	
3	501086	Screw	
4	501524	Screw	
5	M406494	Panel Clip	
6	201577P	Control Assembly	
7	00177	Male Tab Terminal	
8	503661	Screw	
9	201587P	Transformer	
10	23962	Screw	
11	505281	Disconnect Power Warning Label	
12	35889P	Pressure Switch	
13	201686	Cycle Selector Switch	
14	91176	Washer	
15	801431	Light	
16	210108W	End Cap	Right
17	32648	Control Panel Bumper	
	M400795	Bumper	Extra thick
18	201718	Control Overlay	Models SWT820*N and SWT821*N
	201762	Control Overlay	Model HWT820*N
	201763	Control Overlay	Model UWT821*N
	201936	Control Overlay	Model JWT820*N
19	512562P	Rocker Switch	
20	24205	Nut	
21	39897	Switch Knob	
22	210109W	End Cap	Left
23	201742W	Control Panel Assembly	
24	52864	Screw	
25	81799	Water Temperature Switch	

* Add Letter To Designate Color. L - Almond Q - Bisque W - White

Control Panel, Control Hood and Controls (Drawing 3 of 13)

Models HWT910*N, HWT920*N, JWT910*N, JWT920*N, SWNSX2PP111TW02,
SWT910*N, SWT910*N1124, SWT911*N, SWT920*N, SWT920*N1124 and SWT921*N



TLW1600P_39200

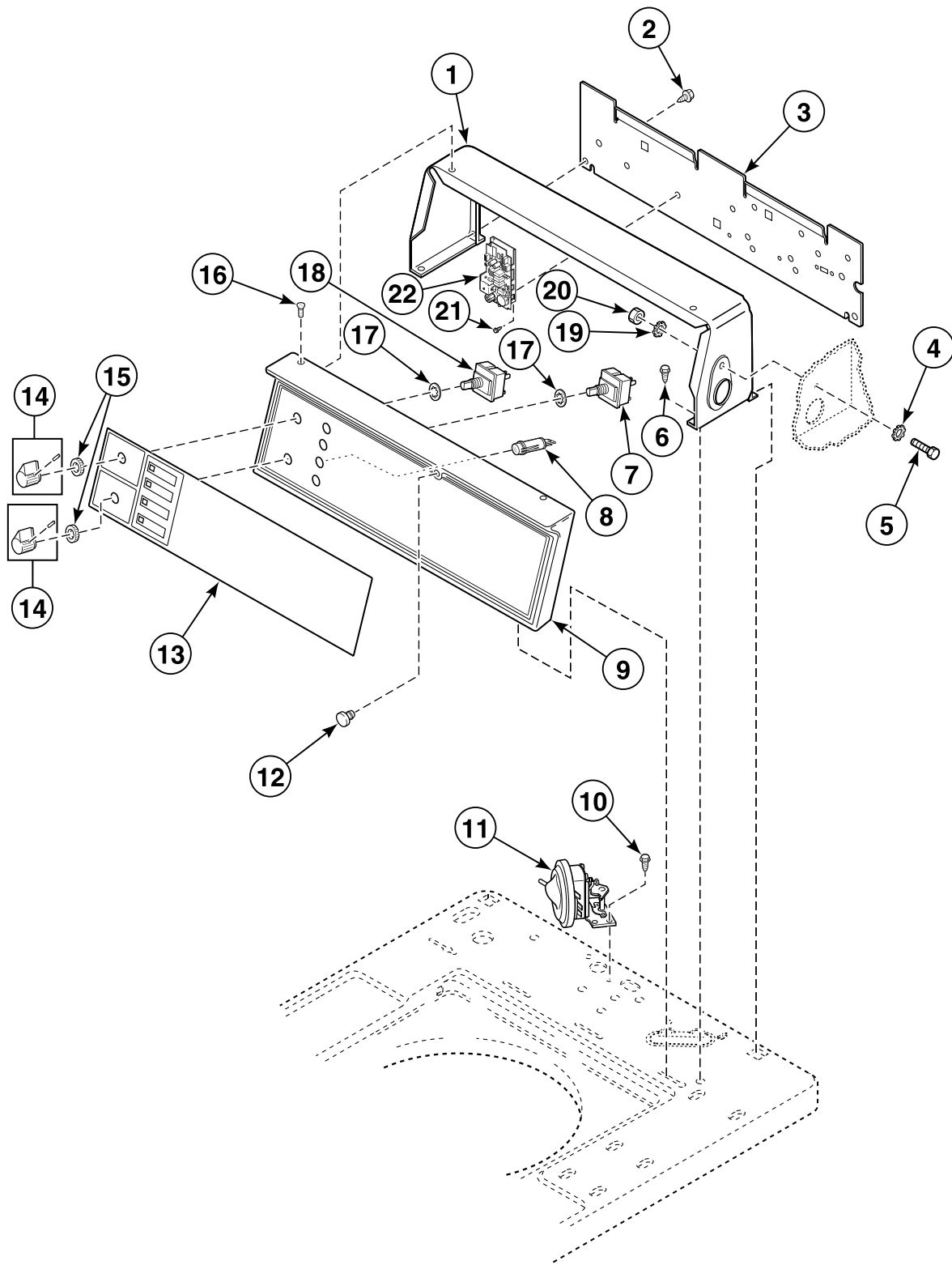
Control Panel, Control Hood and Controls (Drawing 3 of 13)

REF	PART NO.	DESCRIPTION	COMMENTS
1	37075W	Control Hood	White
	37075Q	Control Hood	Bisque
2	23222	Screw	
3	38267	Hood Back Panel	
4	M400017	Washer	
5	02916	Screw	
6	501086	Screw	
7	91176	Washer	
8	801431	Light	
9	23962	Screw	
10	35889P	Pressure Switch	
11	503661	Screw	
12	201587P	Transformer	
13	32648	Control Panel Bumper	
	M400795	Bumper	Extra thick
14	201668	Control Overlay	Models SWNSX2PP111TW02, SWT920*N and SWT921*N
	201670	Control Overlay	Model SWT910*N1124
	201671	Control Overlay	Model SWT920*N1124
	201672	Control Overlay	Model JWT910*N
	201674	Control Overlay	Model HWT910*N
	201675	Control Overlay	Model HWT920*N
	201667	Control Overlay	Models SWT910*N and SWT911*N
	201935	Control Overlay	Model JWT920*N
15	24205	Nut	
16	39897	Switch Knob	
17	36521WP	Control Panel and Bracket Assembly	White
	36521QP	Control Panel and Bracket Assembly	Bisque
18	500226	Screw	Phillips head
	35528	Screw	Torx head
19	81799	Water Temperature Switch	Models HWT920*N, JWT920*N, SWNSX2PP111TW02, SWT920*N, SWT920*N1124 and SWT921*N
	201686	Cycle Selector Switch	Models HWT910*N, JWT910*N, SWT910*N, SWT910*N1124 and SWT911*N
20	201686	Cycle Selector Switch	Models HWT920*N, JWT920*N, SWNSX2PP111TW02, SWT920*N, SWT920*N1124 and SWT921*N
21	02431	Washer	
22	52566	Nut	

* Add Letter To Designate Color. L - Almond Q - Bisque W - White

Control Panel, Control Hood and Controls (Drawing 4 of 13)

Models HWT1A0*N, HWTV20*N, SWT2A0*N, SWT2A0*N1124, SWT2B0*N1124, SWTV20*N, SWTW20*N and SWTW21*N



TLW1508P_39200

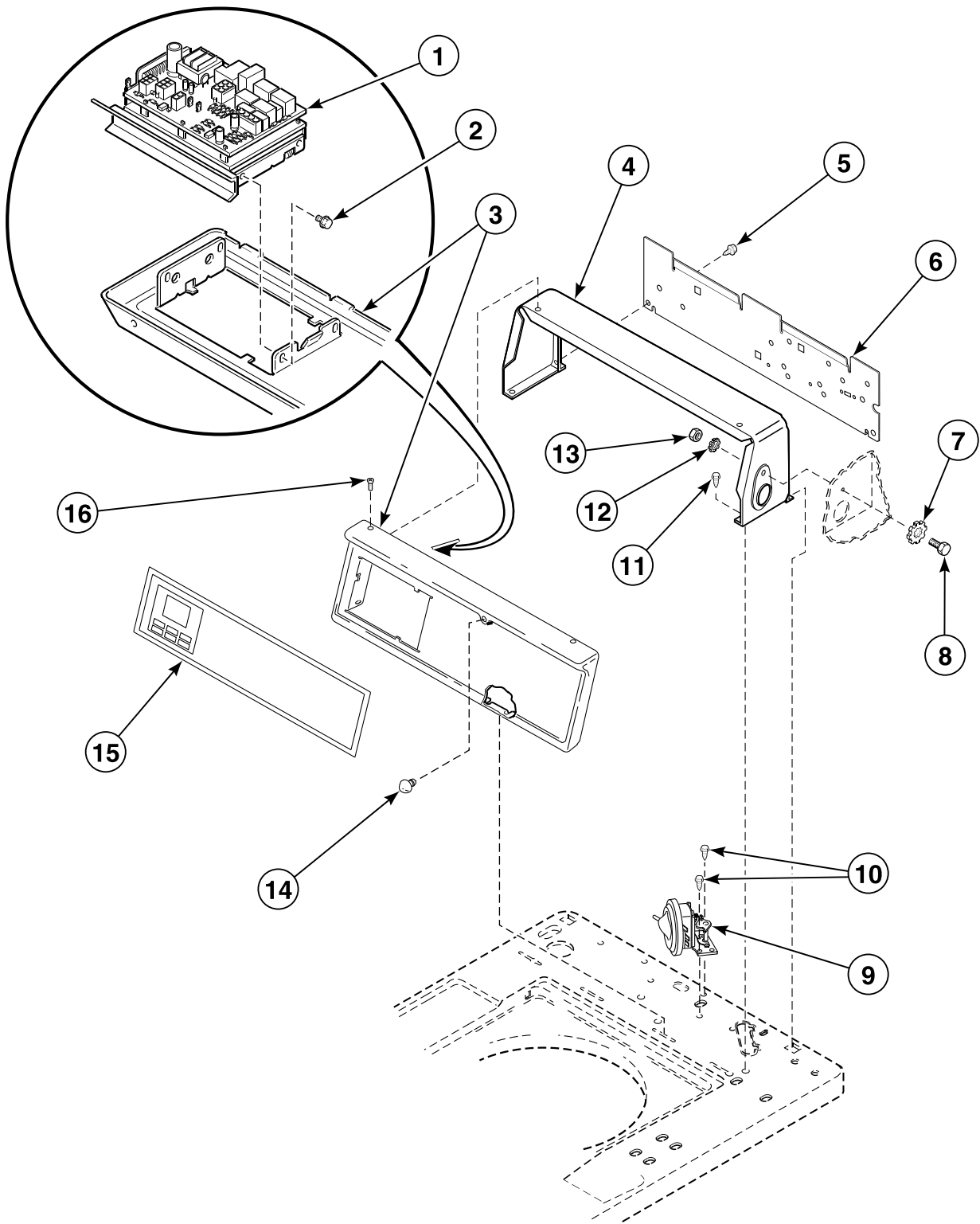
Control Panel, Control Hood and Controls (Drawing 4 of 13)

REF	PART NO.	DESCRIPTION	COMMENTS
1	37075W	Control Hood	White
	37075L	Control Hood	Almond
	37075Q	Control Hood	Bisque
2	23222	Screw	
3	37020	Rear Hood Panel	
4	M400017	Washer	
5	02916	Screw	
6	501086	Screw	
7	27762	Switch	
8	32464	Light	2 required (1 rinse, 1 spin)
	32466	Light	1 required (in use)
9	36521WP	Control Panel and Bracket Assembly	White
	36521LP	Control Panel and Bracket Assembly	Almond
	36521QP	Control Panel and Bracket Assembly	Bisque
10	23962	Screw	
11	35889P	Pressure Switch	
12	32648	Control Panel Bumper	
	M400795	Bumper	Extra thick
13	201266	Graphic Overlay	Models HWT1A0*N and HWTV20*N
	201259	Graphic Overlay	Models SWT2A0*N, SWTV20*N, SWTW20*N and SWTW21*N
	201262	Control Panel Overlay	Model SWT2B0*N1124
	201263	Control Panel Overlay	Model SWT2A0*N1124
14	39897	Switch Knob	
15	24205	Nut	
16	500226	Screw	Phillips head
	35528	Screw	Torx head
17	91176	Washer	
18	27761	Switch	
19	02431	Washer	
20	52566	Nut	
21	501524	Screw	
22	201279P	Temperature Control	

* Add Letter To Designate Color. L - Almond Q - Bisque W - White

Control Panel, Control Hood and Controls (Drawing 5 of 13)

Models NWT721*A1126, SWT420*A, SWT420*D, SWT420*M, SWT421*A, SWT421*D, SWT421*M, SWT520*A, SWT520*M, SWT520*N, SWT521*A, SWT521*A1119, SWT521*M, SWT521*M99K5, SWT521*N, SWT620*A, SWT620*C, SWT620*D, SWT620*M, SWT621*C, SWT621*D, SWT621*D1121, SWT621*M, SWT621*M1121, SWT720*A, SWT720*M, SWT721*A and SWT721*M



W196P_39200

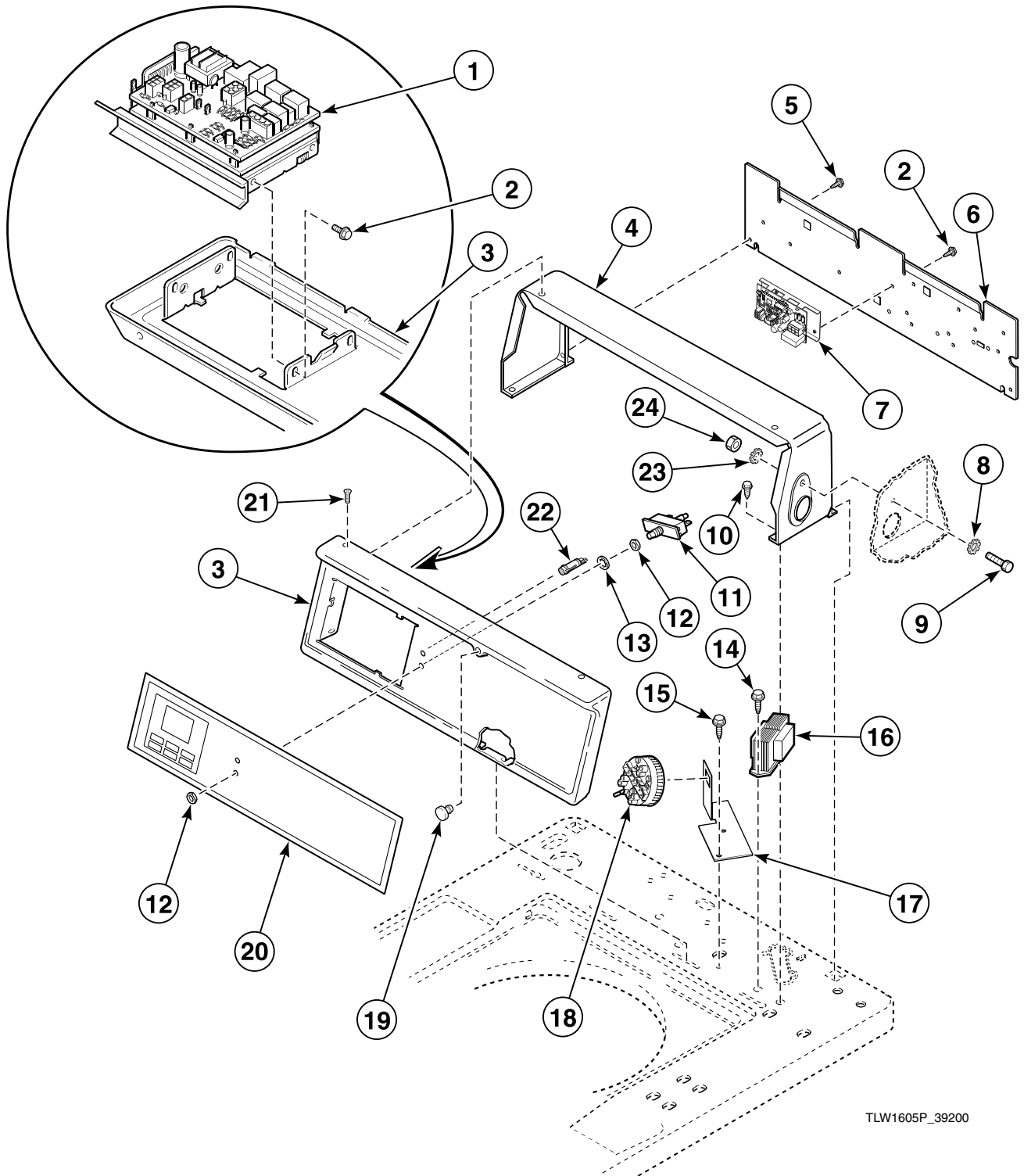
Control Panel, Control Hood and Controls (Drawing 5 of 13)

REF	PART NO.	DESCRIPTION	COMMENTS
1	38188P	Control, Shield and Tape Kit	
2	501524	Screw	
3	36097W	Control Panel Assembly	White
	36097L	Control Panel Assembly	Almond
	36097Q	Control Panel Assembly	Bisque
4	37075W	Control Hood	White
	37075L	Control Hood	Almond
	37075Q	Control Hood	Bisque
5	23222	Screw	
6	38267	Hood Back Panel	
7	M400017	Washer	
8	02916	Screw	
9	35889P	Pressure Switch	
10	23962	Screw	
11	501086	Screw	
12	02431	Washer	
13	52566	Nut	
14	32648	Control Panel Bumper	
	M400795	Bumper	Extra thick
15	200587	Control Panel Overlay	Model NWT721*A1126
	39096	Control Panel Overlay	All other models
16	52864	Screw	Phillips head
	35528	Screw	Torx head

* Add Letter To Designate Color. L - Almond Q - Bisque W - White

Control Panel, Control Hood and Controls (Drawing 6 of 13)

Models SWL520*N and SWL521*N



TLW1605P_39200

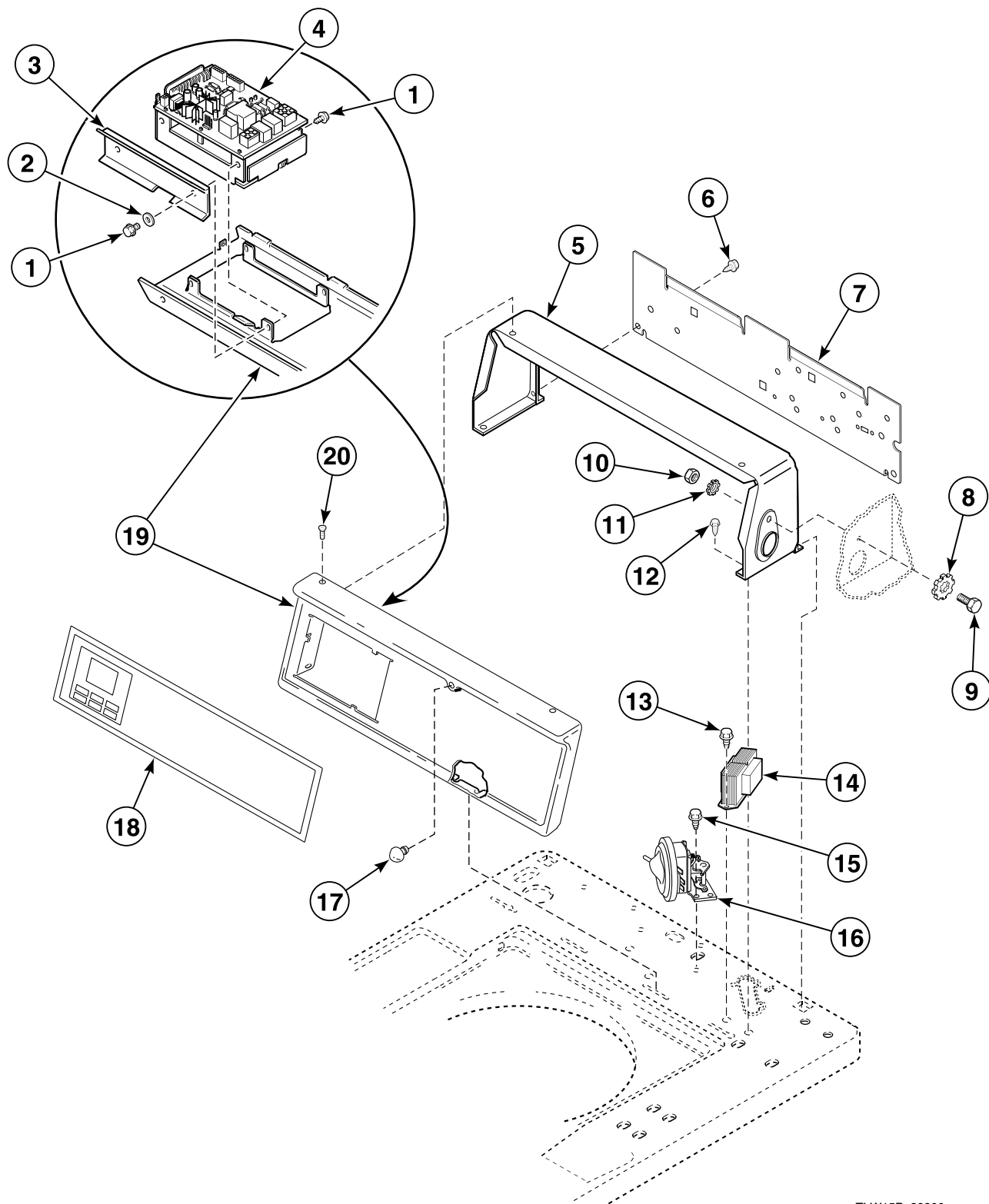
Control Panel, Control Hood and Controls (Drawing 6 of 13)

REF	PART NO.	DESCRIPTION	COMMENTS
1	38188P	Control, Shield and Tape Kit	
2	501524	Screw	
3	201791W	Control Panel Assembly	White
	201791Q	Control Panel Assembly	Bisque
4	37075W	Control Hood	White
	37075Q	Control Hood	Bisque
5	23222	Screw	
6	38267	Hood Back Panel	
7	201755P	Control Assembly	
8	M400017	Washer	
9	02916	Screw	
10	501086	Screw	
11	55882	Switch Assembly	
12	52947	Nut	
13	25820	Washer	
14	503661	Screw	
15	23962	Screw	
16	201587P	Transformer	
17	201789	Pressure Switch Bracket	
18	201997P	Pressure Switch	
19	32648	Control Panel Bumper	
	M400795	Bumper	Extra thick
20	201792	Control Panel Overlay	
21	52864	Screw	Phillips head
	35528	Screw	Torx head
22	801431	Light	
23	02431	Washer	
24	52566	Nut	

* Add Letter To Designate Color. L - Almond Q - Bisque W - White

Control Panel, Control Hood and Controls (Drawing 7 of 13)

Models BWTT20*N, BWTX20*N, HWTT20*N, HWTZ20*M, HWTZ20*N, SWNBC2PP111TW02, SWNBX2PP111TW02, SWTA21*M, SWTA21*N, SWTB20*M, SWTB20*N, SWTB21*M, SWTB21*N, SWTC20*M, SWTC20*N, SWTC21*M, SWTC21*N, SWTT20*M, SWTT20*N, SWTT20*N99M6, SWTT21*M, SWTT21*N, SWTX21*M, SWTX21*N, SWTZ20*M, SWTZ20*N, SWTZ21*M and SWTZ21*N



TLW15P_39200

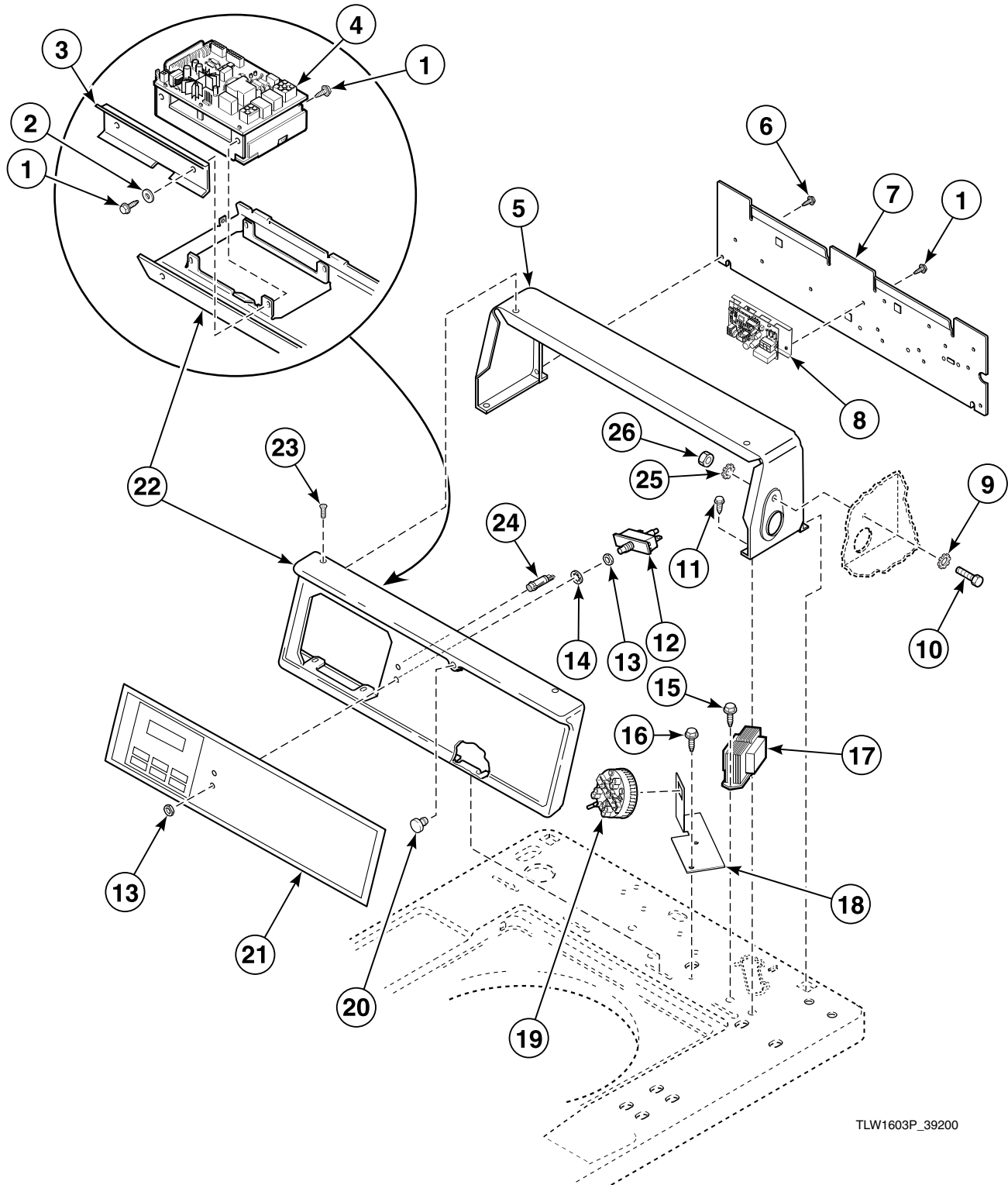
Control Panel, Control Hood and Controls (Drawing 7 of 13)

REF	PART NO.	DESCRIPTION	COMMENTS
1	501524	Screw	
2	200608	Washer	
3	210053	Control Shield	
4	200641P	Control Kit	Models SWTA21*M, SWTA21*N, SWTB20*M, SWTB20*N, SWTB21*M, SWTB21*N, SWTC20*M, SWTC20*N, SWTC21*M and SWTC21*N
	201567P	Control Assembly	Models BWTT20*N, BWTX20*N, HWTT20*N, HWTZ20*M, HWTZ20*N, SWNBC2PP111TW02, SWNBX2PP111TW02, SWTT20*M, SWTT20*N, SWTT20*N99M6, SWTT21*M, SWTT21*N, SWTX21*M, SWTX21*N, SWTZ20*M, SWTZ20*N, SWTZ21*M and SWTZ21*N
5	37075W	Control Hood	White
	37075L	Control Hood	Almond
	37075Q	Control Hood	Bisque
6	23222	Screw	
7	38267	Hood Back Panel	
8	M400017	Washer	
9	02916	Screw	
10	52566	Nut	
11	02431	Washer	
12	501086	Screw	
13	503661	Screw	
14	210019P	Transformer	Models SWTA21*M, SWTA21*N, SWTC20*M, SWTC20*N, SWTC21*M, SWTC21*N, SWTX21*M and SWTX21*N through Serial No. 0408008368
	201375P	Transformer	Some models may have jumper wire attached to transformer. Discard jumper wire when replacing transformer; Models BWTX20*N, SWNBX2PP111TW02, SWTA21*N, SWTC20*N, SWTC21*N and SWTX21*N starting Serial No. 0408008369
	210018P	Transformer	All other models
15	23962	Screw	
16	35889P	Pressure Switch	
17	32648	Control Panel Bumper	
	M400795	Bumper	Extra thick
18	210038	Control Panel Overlay	Models SWTA21*M, SWTA21*N, SWTB20*M, SWTB20*N, SWTB21*M, SWTB21*N, SWTC20*M, SWTC20*N, SWTC21*M and SWTC21*N
	200918	Overlay	Models SWNBC2PP111TW02, SWNBX2PP111TW02, SWTT20*M, SWTT20*N, SWTT20*N99M6, SWTT21*M, SWTT21*N, SWTX21*M, SWTX21*N, SWTZ20*M, SWTZ20*N, SWTZ21*M and SWTZ21*N
	200919	Overlay	Models HWTT20*N, HWTZ20*M and HWTZ20*N
	202098	Overlay	Models BWTT20*N and BWTX20*N
19	210042W	Control Panel Assembly	White
	210042L	Control Panel Assembly	Almond
	210042Q	Control Panel Assembly	Bisque
20	52864	Screw	Phillips head
	35528	Screw	Torx head

* Add Letter To Designate Color. L - Almond Q - Bisque W - White

Control Panel, Control Hood and Controls (Drawing 8 of 13)

Models SWLB20*N, SWLB21*N, SWLT20*N and SWLT21*N



TLW1603P_39200

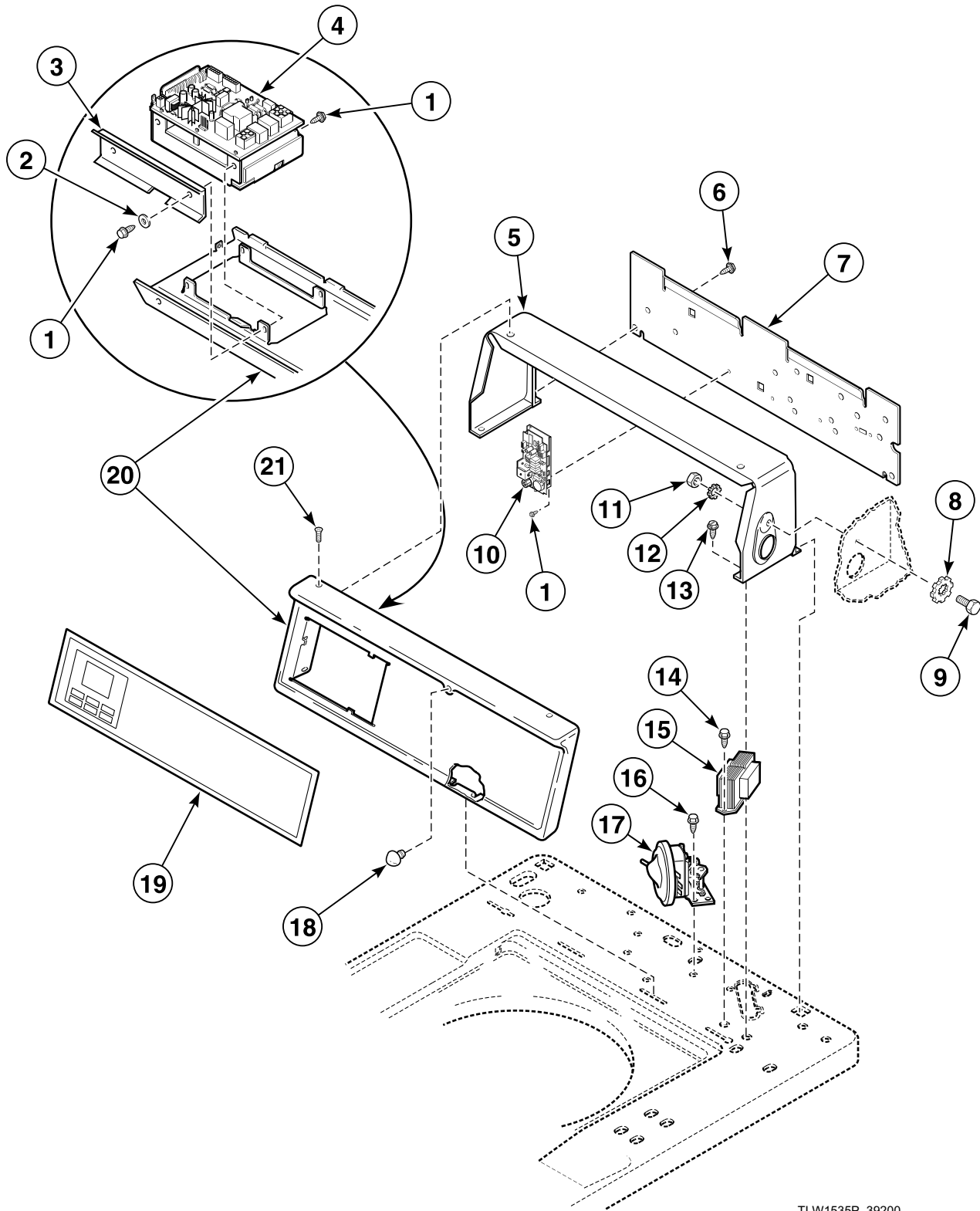
Control Panel, Control Hood and Controls (Drawing 8 of 13)

REF	PART NO.	DESCRIPTION	COMMENTS
1	501524	Screw	
2	200608	Washer	
3	210053	Control Shield	
4	200641P	Control Kit	Models SWLB20*N and SWLB21*N
	202025P	Control Assembly	Models SWLT20*N and SWLT21*N
5	37075W	Control Hood	White
	37075Q	Control Hood	Bisque
6	23222	Screw	
7	38267	Hood Back Panel	
8	201755P	Control Assembly	
9	M400017	Washer	
10	02916	Screw	
11	501086	Screw	
12	55882	Switch Assembly	
13	52947	Nut	
14	25820	Washer	
15	503661	Screw	
16	23962	Screw	
17	201375P	Transformer	
18	201789	Pressure Switch Bracket	
19	201997P	Pressure Switch	
20	32648	Control Panel Bumper	
	M400795	Bumper	Extra thick
21	201799	Control Panel Overlay	Models SWLB20*N and SWLB21*N
	201973	Control Panel Overlay	Models SWLT20*N and SWLT21*N
22	201798W	Control Panel Assembly	White
	201798Q	Control Panel Assembly	Bisque
23	52864	Screw	Phillips head
	35528	Screw	Torx head
24	801431	Light	
25	02431	Washer	
26	52566	Nut	

* Add Letter To Designate Color. L - Almond Q - Bisque W - White

Control Panel, Control Hood and Controls (Drawing 9 of 13)

Models SWTBA0*N and SWTBA1*N



TLW1535P_39200

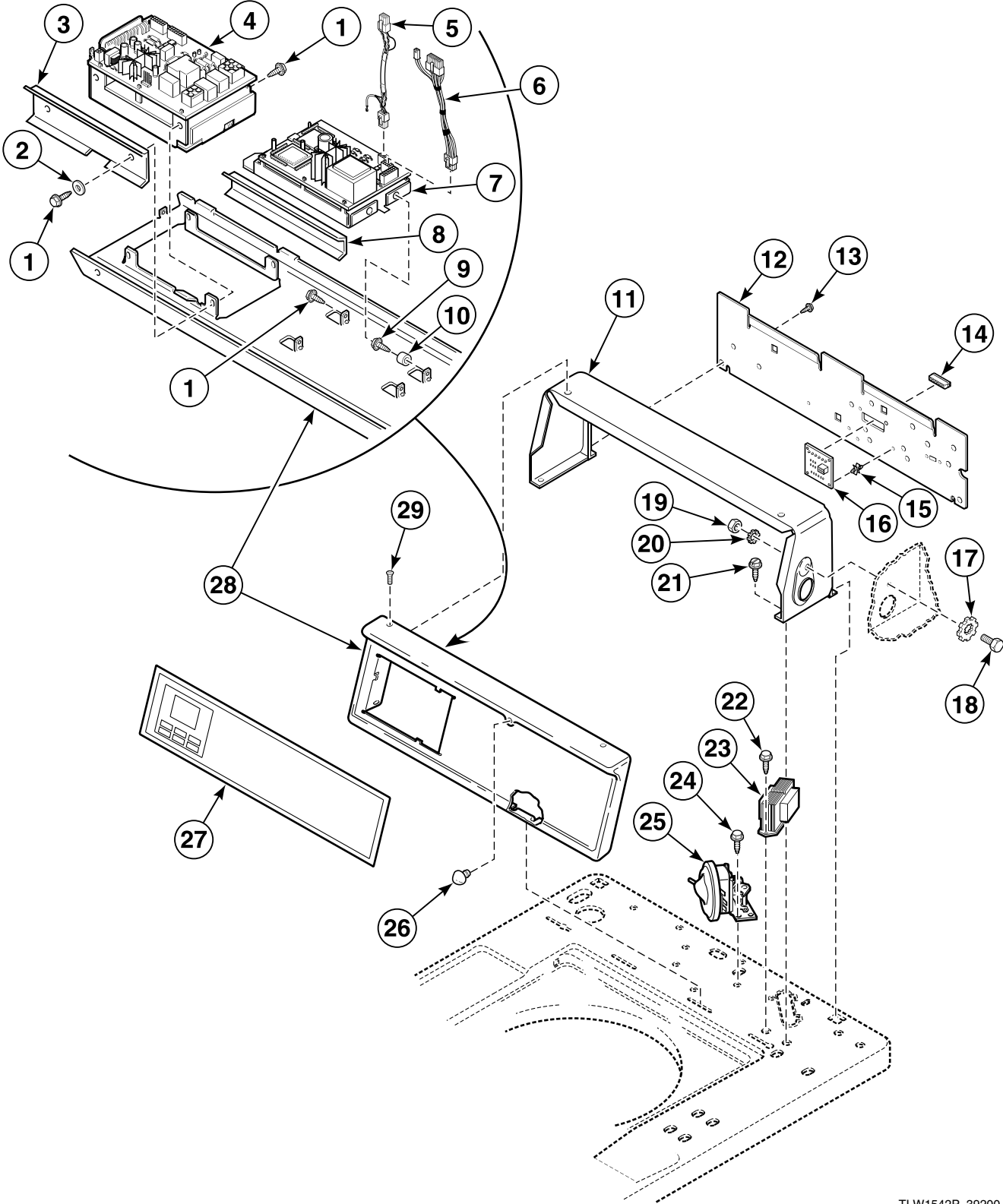
Control Panel, Control Hood and Controls (Drawing 9 of 13)

REF	PART NO.	DESCRIPTION	COMMENTS
1	501524	Screw	
2	200608	Washer	
3	210053	Control Shield	
4	200641P	Control Kit	
5	37075W	Control Hood	White
	37075L	Control Hood	Almond
	37075Q	Control Hood	Bisque
6	23222	Screw	
7	38267	Hood Back Panel	
8	M400017	Washer	
9	02916	Screw	
10	201279P	Temperature Control	
11	52566	Nut	
12	02431	Washer	
13	501086	Screw	
14	503661	Screw	
15	210018P	Transformer	
16	23962	Screw	
17	35889P	Pressure Switch	
18	32648	Control Panel Bumper	
	M400795	Bumper	Extra thick
19	210038	Control Panel Overlay	
20	210042W	Control Panel Assembly	White
	210042L	Control Panel Assembly	Almond
	210042Q	Control Panel Assembly	Bisque
21	52864	Screw	

* Add Letter To Designate Color. L - Almond Q - Bisque W - White

Control Panel, Control Hood and Controls (Drawing 10 of 13)

Models SWTH20*M, SWTH20*N, SWTH21*M, SWTH21*M99K5 and SWTH21*N



TLW1542P_39200

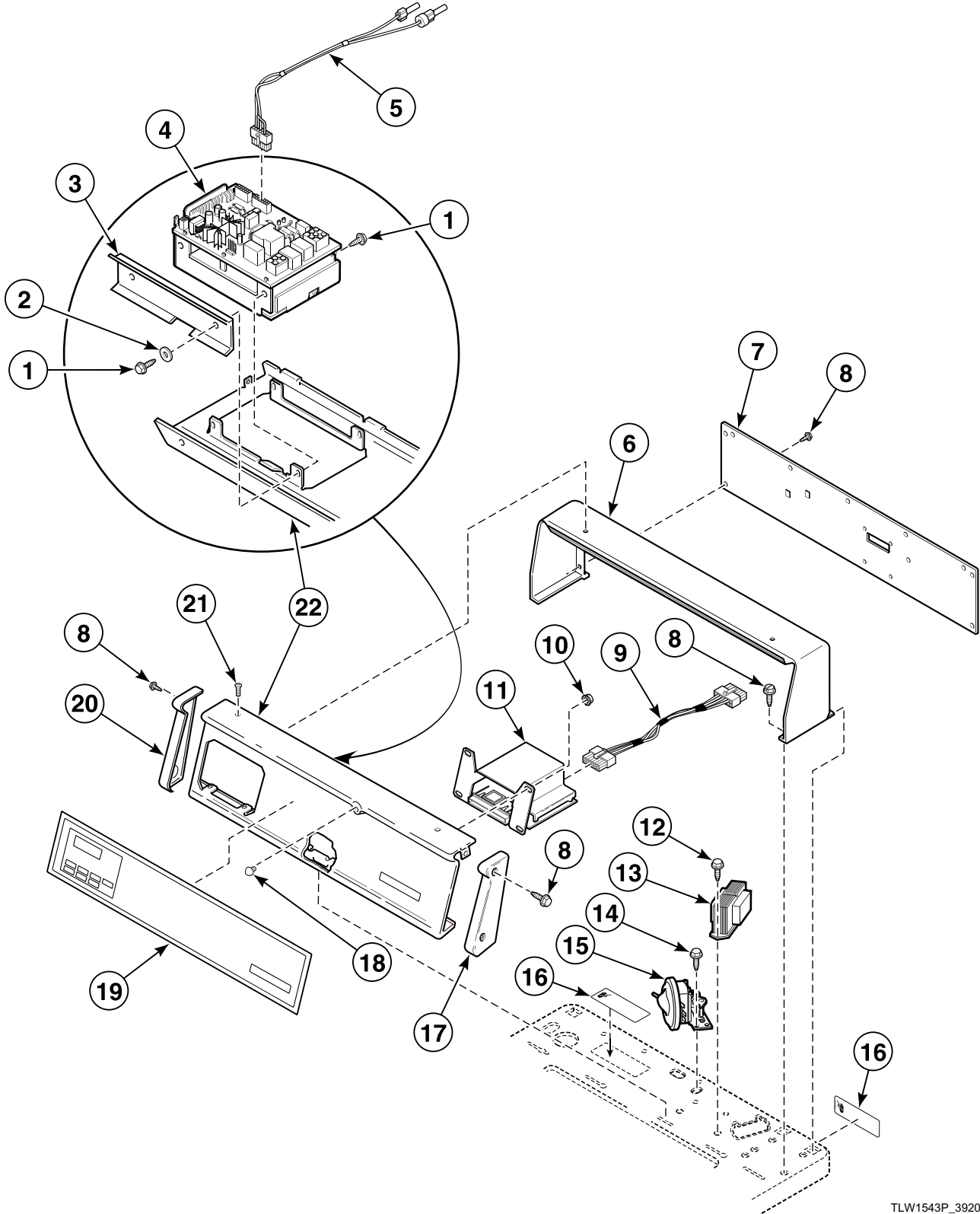
Control Panel, Control Hood and Controls (Drawing 10 of 13)

REF	PART NO.	DESCRIPTION	COMMENTS
1	501524	Screw	
2	200608	Washer	
3	210053	Control Shield	
4	200641P	Control Kit	
5	800219	Communication Wire Harness Assembly	
6	800217	Network Wire Harness Assembly	
7	210016P	Network Board Assembly	
8	36105	Electronic Control Shield	
9	201110	Screw	
10	56079	Panel Locator	
11	37075W	Control Hood	White
	37075L	Control Hood	Almond
	37075Q	Control Hood	Bisque
12	38267	Hood Back Panel	
13	23222	Screw	
14	210099	Communication Connector	
15	210098	PC Board Standoff	
16	210095P	Communication Board	
17	M400017	Washer	
18	02916	Screw	
19	52566	Nut	
20	02431	Washer	
21	501086	Screw	
22	503661	Screw	
23	210018P	Transformer	
24	23962	Screw	
25	35889P	Pressure Switch	
26	32648	Control Panel Bumper	
	M400795	Bumper	Extra thick
27	210038	Control Panel Overlay	
28	210042W	Control Panel Assembly	White
	210042L	Control Panel Assembly	Almond
	210042Q	Control Panel Assembly	Bisque
29	52864	Screw	

* Add Letter To Designate Color. L - Almond Q - Bisque W - White

Control Panel, Control Hood and Controls (Drawing 11 of 13)

Models HWTY20*M, HWTY20*N, NWTf21*M1126, NWTf21*N1126, SWTF20*M, SWTF20*M99K5, SWTF20*N, SWTF21*M, SWTF21*N, SWTY20*M, SWTY20*N, SWTY21*M and SWTY21*N



TLW1543P_39200

Control Panel, Control Hood and Controls (Drawing 11 of 13)

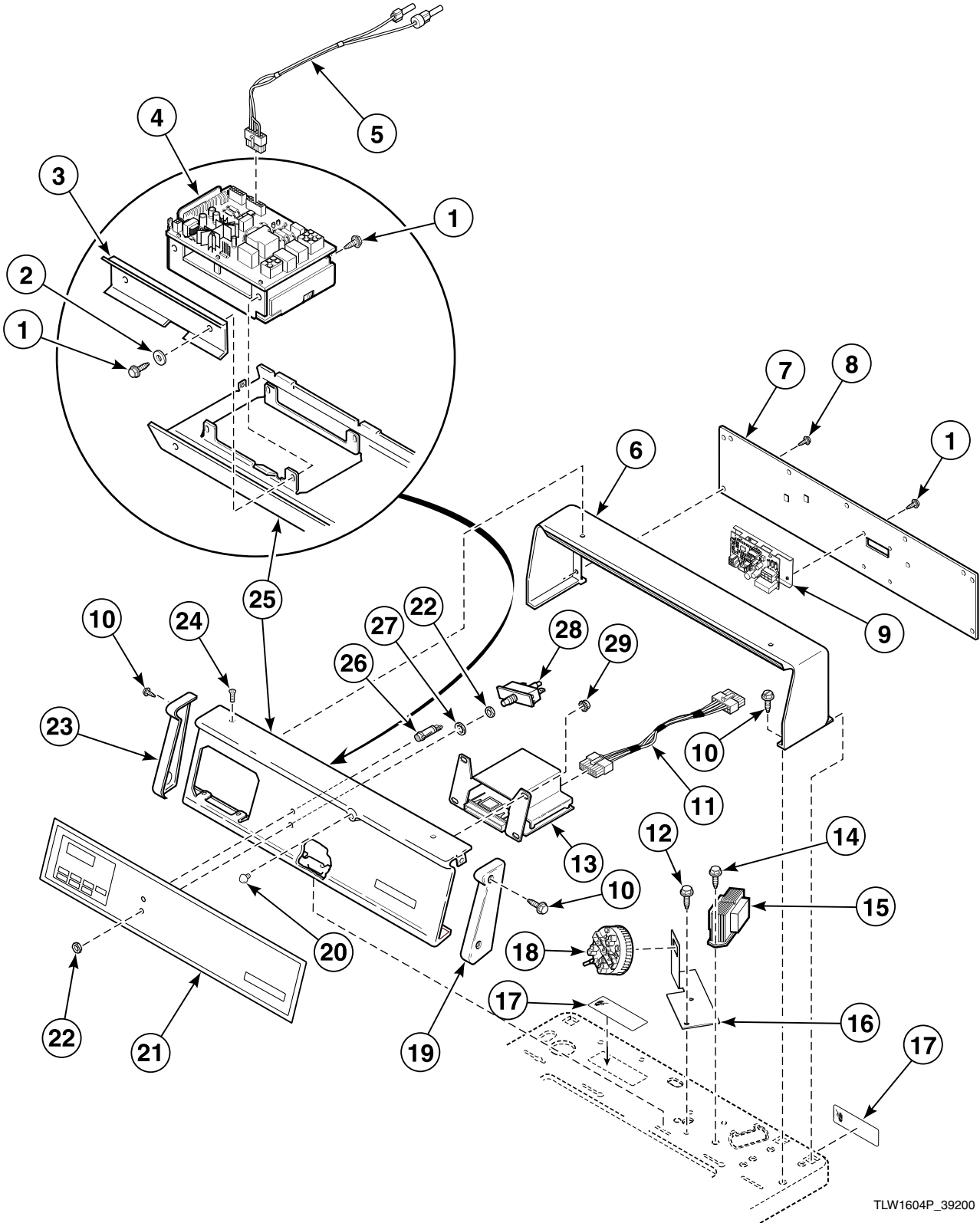
REF	PART NO.	DESCRIPTION	COMMENTS
1	501524	Screw	
2	200608	Washer	
3	210053	Control Shield	
4	200641P	Control Kit	Models NWTF21*M1126, NWTF21*N1126, SWTF20*M, SWTF20*M99K5, SWTF20*N, SWTF21*M and SWTF21*N
	201567P	Control Assembly	Models HWTY20*M, HWTY20*N, SWTY20*M, SWTY20*N, SWTY21*M and SWTY21*N
5	800680	Diagnostic Wire Harness Assembly	
6	210142W	Control Hood	White
	210142L	Control Hood	Almond
7	210143	Rear Panel	
8	501086	Screw	
9	800125P	Card Reader Wire Harness Assembly	Models NWTF21*M1126, NWTF21*N1126, SWTF20*M, SWTF20*M99K5, SWTF20*N, SWTF21*M and SWTF21*N
10	70054	Nut	
11	210045P	Card Reader Assembly	Models NWTF21*M1126, NWTF21*N1126, SWTF20*M, SWTF20*M99K5, SWTF20*N, SWTF21*M and SWTF21*N
12	503661	Screw	
13	210018P	Transformer	Models NWTF21*M1126, NWTF21*N1126, SWTF20*M, SWTF20*M99K5, SWTF20*N, SWTF21*M and SWTF21*N
	210019P	Transformer	Models HWTY20*M, HWTY20*N, SWTY20*M, SWTY20*N, SWTY21*M and SWTY21*N through Serial No. 0408008368
	201375P	Transformer	Some models may have jumper wire attached to transformer. Discard jumper wire when replacing transformer; Models HWTY20*N, SWTY20*N and SWTY21*N starting Serial No. 0408008369
14	23962	Screw	
15	35889P	Pressure Switch	
16	505281	Disconnect Power Warning Label	
17	210108W	End Cap	Right
18	32648	Control Panel Bumper	
	M400795	Bumper	Extra thick
19	210069	Control Panel Overlay	Models SWTF20*M, SWTF20*M99K5, SWTF20*N, SWTF21*M and SWTF21*N
	N/A	Control Panel Overlay	Models NWTF21*M1126 and NWTF21*N1126
	201003	Control Panel Overlay	Models SWTY20*M, SWTY20*N, SWTY21*M and SWTY21*N
	201007	Control Panel Overlay	Models HWTY20*M and HWTY20*N
20	210109W	End Cap	Left
21	52864	Screw	
22	210137W	Control Panel Assembly	White
	210137L	Control Panel Assembly	Almond
	N/A	Control Panel Assembly	Bisque

* Add Letter To Designate Color. L - Almond Q - Bisque W - White

N/A = Part no longer available

Control Panel, Control Hood and Controls (Drawing 12 of 13)

Models SWLF20*N, SWLF21*N, SWLY20*N and SWLY21*N



TLW1604P_39200

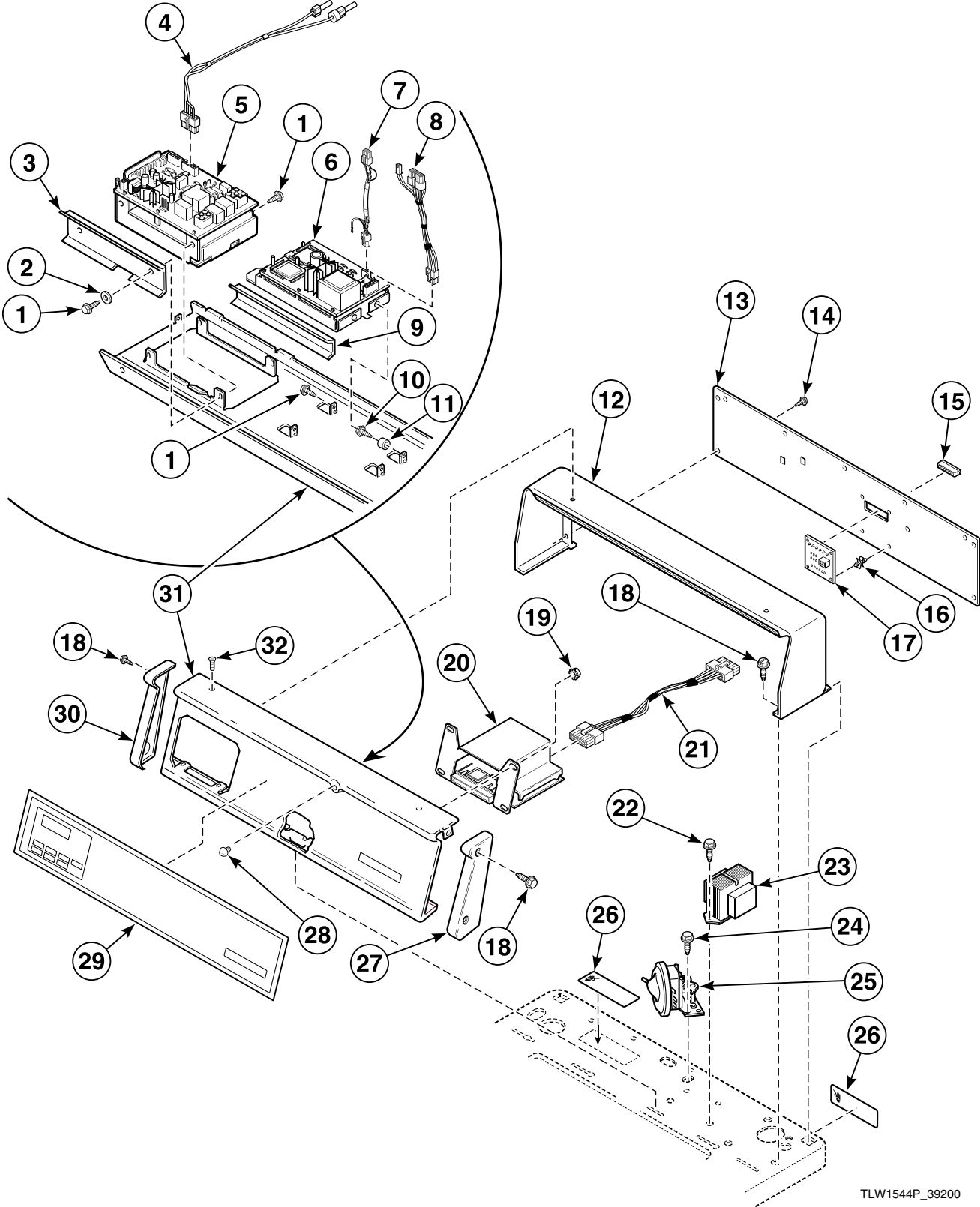
Control Panel, Control Hood and Controls (Drawing 12 of 13)

REF	PART NO.	DESCRIPTION	COMMENTS
1	501524	Screw	
2	200608	Washer	
3	210053	Control Shield	
4	200641P	Control Kit	Models SWLF20*N and SWLF21*N
	202025P	Control Assembly	Models SWLY20*N and SWLY21*N
5	800680	Diagnostic Wire Harness Assembly	
6	210142W	Control Hood	
7	210143	Rear Panel	
8	23222	Screw	
9	201755P	Control Assembly	
10	501086	Screw	
11	800125P	Card Reader Wire Harness Assembly	Models SWLF20*N and SWLF21*N
12	23962	Screw	
13	210045P	Card Reader Assembly	Models SWLF20*N and SWLF21*N
14	503661	Screw	
15	201375P	Transformer	
16	201789	Pressure Switch Bracket	
17	505281	Disconnect Power Warning Label	
18	201997P	Pressure Switch	
19	210108W	End Cap	Right
20	32648	Control Panel Bumper	
	M400795	Bumper	Extra thick
21	201974	Control Panel Overlay	
22	52947	Nut	
23	210109W	End Cap	Left
24	52864	Screw	Phillips head
	35528	Screw	Torx head
25	201805W	Control Panel Assembly	White
	201805Q	Control Panel Assembly	Bisque
26	801431	Light	
27	25820	Washer	
28	55882	Switch Assembly	
29	70054	Nut	

* Add Letter To Designate Color. L - Almond Q - Bisque W - White

Control Panel, Control Hood and Controls (Drawing 13 of 13)

Models SWTJ21*M, SWTJ21*M99K5 and SWTJ21*N



TLW1544P_39200

Control Panel, Control Hood and Controls (Drawing 13 of 13)

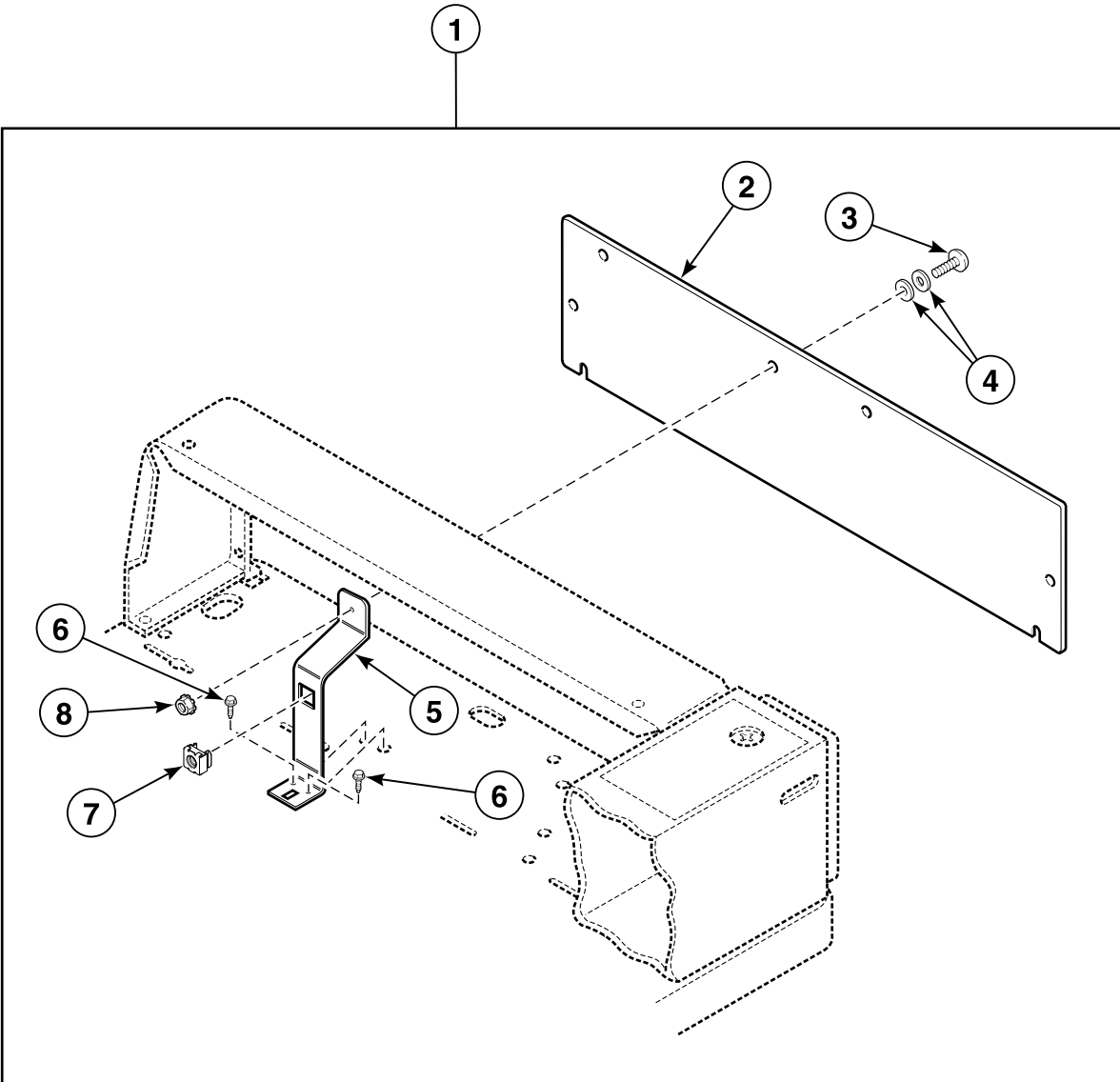
REF	PART NO.	DESCRIPTION	COMMENTS
1	501524	Screw	
2	200608	Washer	
3	210053	Control Shield	
4	800680	Diagnostic Wire Harness Assembly	
5	200641P	Control Kit	
6	210016P	Network Board Assembly	
7	800219	Communication Wire Harness Assembly	
8	800217	Network Wire Harness Assembly	
9	36105	Electronic Control Shield	
10	201110	Screw	
11	56079	Panel Locator	
12	210142W	Control Hood	White
	210142L	Control Hood	Almond
13	210143	Rear Panel	
14	23222	Screw	
15	210099	Communication Connector	
16	210098	PC Board Standoff	
17	210095P	Communication Board	
18	501086	Screw	
19	70054	Nut	
20	210045P	Card Reader Assembly	
21	800215	Card Reader Wire Harness Assembly	
22	503661	Screw	
23	210018P	Transformer	
24	23962	Screw	
25	35889P	Pressure Switch	
26	505281	Disconnect Power Warning Label	
27	210108W	End Cap	Right
28	32648	Control Panel Bumper	
	M400795	Bumper	Extra thick
29	210069	Control Panel Overlay	
30	210109W	End Cap	Left
31	210137W	Control Panel Assembly	White
	210137L	Control Panel Assembly	Almond
	N/A	Control Panel Assembly	Bisque
32	52864	Screw	

* Add Letter To Designate Color. L - Almond Q - Bisque W - White

N/A = Part no longer available

Control Hood Security Kit

Models BWTT20*N, BWTX20*N, HWTT20*N, HWTZ20*M, HWTZ20*N, SWLB20*N, SWLB21*N, SWLT20*N, SWLT21*N, SWNBC2PP111TW02, SWNBX2PP111TW02, SWTA21*M, SWTA21*N, SWTB20*M, SWTB20*N, SWTB21*M, SWTB21*N, SWTC20*M, SWTC20*N, SWTC21*M, SWTC21*N, SWTH20*M, SWTH20*N, SWTH21*M, SWTH21*M99K5, SWTH21*N, SWTT20*M, SWTT20*N, SWTT20*N99M6, SWTT21*M, SWTT21*N, SWTX21*M, SWTX21*N, SWTZ20*M, SWTZ20*N, SWTZ21*M and SWTZ21*N



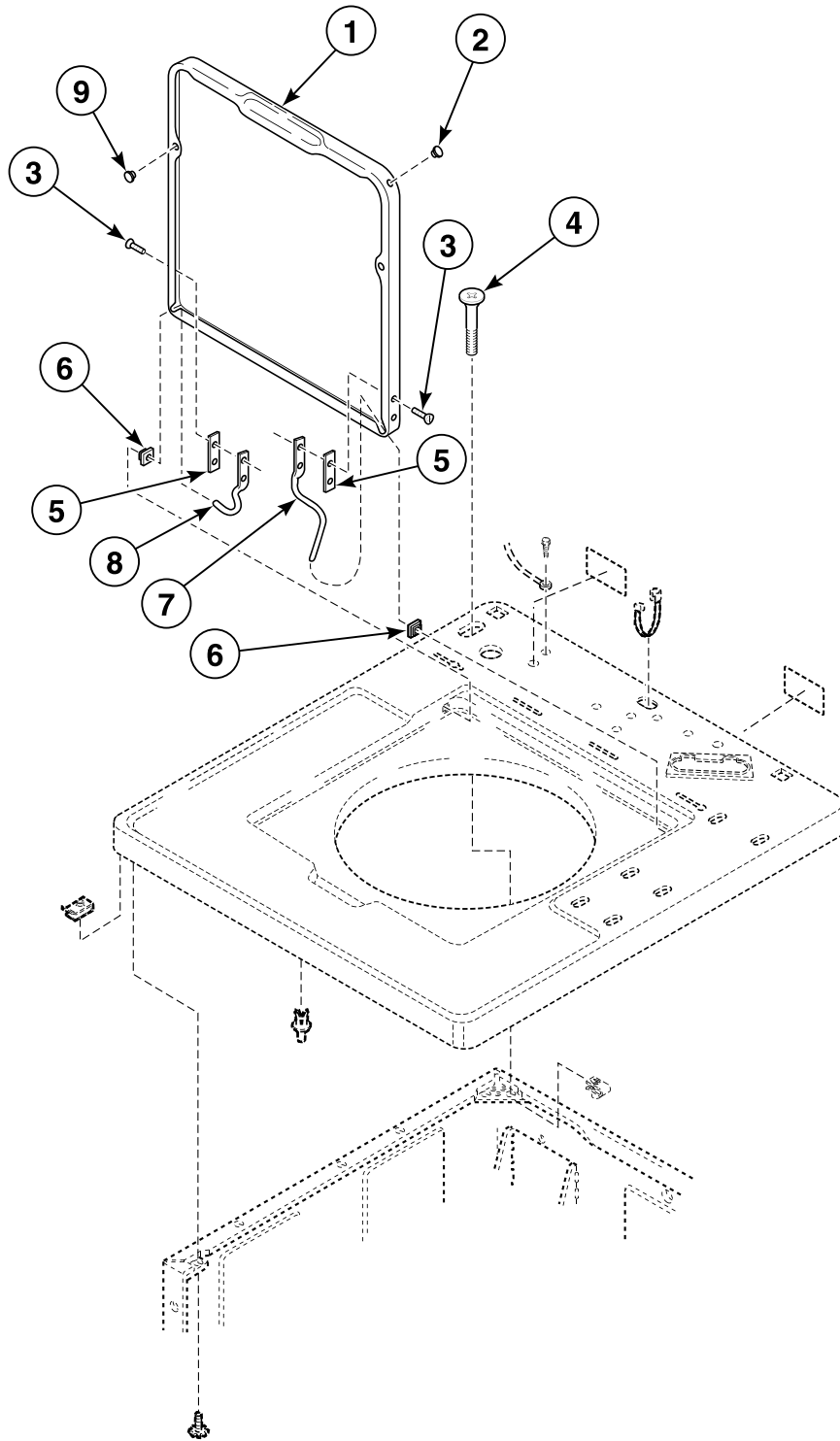
FLW963P_39200

Control Hood Security Kit

REF	PART NO.	DESCRIPTION	COMMENTS
1	904P3	Security Kit	Includes items 2-8
2	201919	Rear Panel	
3	32184	Bolt	
4	25100	Washer	
5	201918	Bracket	
6	503688	Screw	
7	30647	Nut	
8	23951	Nut	

* Add Letter To Designate Color. L - Almond Q - Bisque W - White

Lid



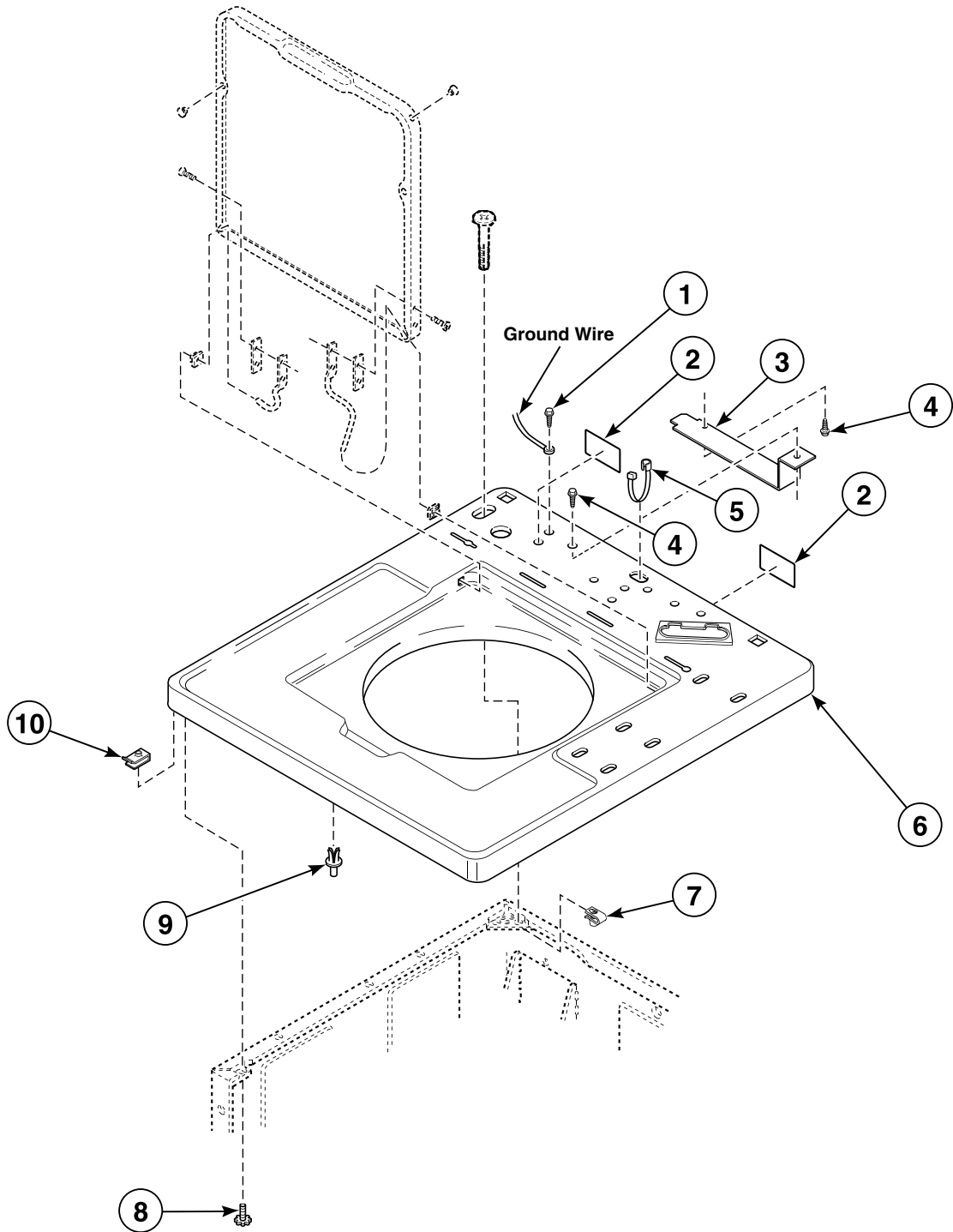
TLW1608P_39200

Lid

REF	PART NO.	DESCRIPTION	COMMENTS
1	201760WP	Lid	White; Models HWT820*N, HWT910*N, HWT920*N, JWT820*N, JWT910*N, JWT920*N, SWNSX2PP111TW02, SWT820*N, SWT821*N, SWT910*N, SWT910*N1124, SWT911*N, SWT920*N, SWT920*N1124, SWT921*N and UWT821*N
	201760QP	Lid	Bisque; Models HWT820*N, HWT910*N, HWT920*N, JWT820*N, JWT910*N, JWT920*N, SWNSX2PP111TW02, SWT820*N, SWT821*N, SWT910*N, SWT910*N1124, SWT911*N, SWT920*N, SWT920*N1124, SWT921*N and UWT821*N
	201460WP	Lid	White; All other models
	201460LP	Lid and Carton Assembly	Almond; All other models
	201460QP	Lid and Carton Assembly	Bisque; All other models
	2	34153	Lid Plug
3	34337	Screw	
4	503673	Screw	Optional; For added security
5	34338	Hinge Gasket	
6	33446	Bushing	Use with 200887*P Lid
	36474	Hinge Bushing	All other uses
7	36437	Lid Hinge	Right
8	36438	Lid Hinge	Left
9	21685	Bumper	

* Add Letter To Designate Color. L - Almond Q - Bisque W - White

Cabinet Top



TLW1633P_39200

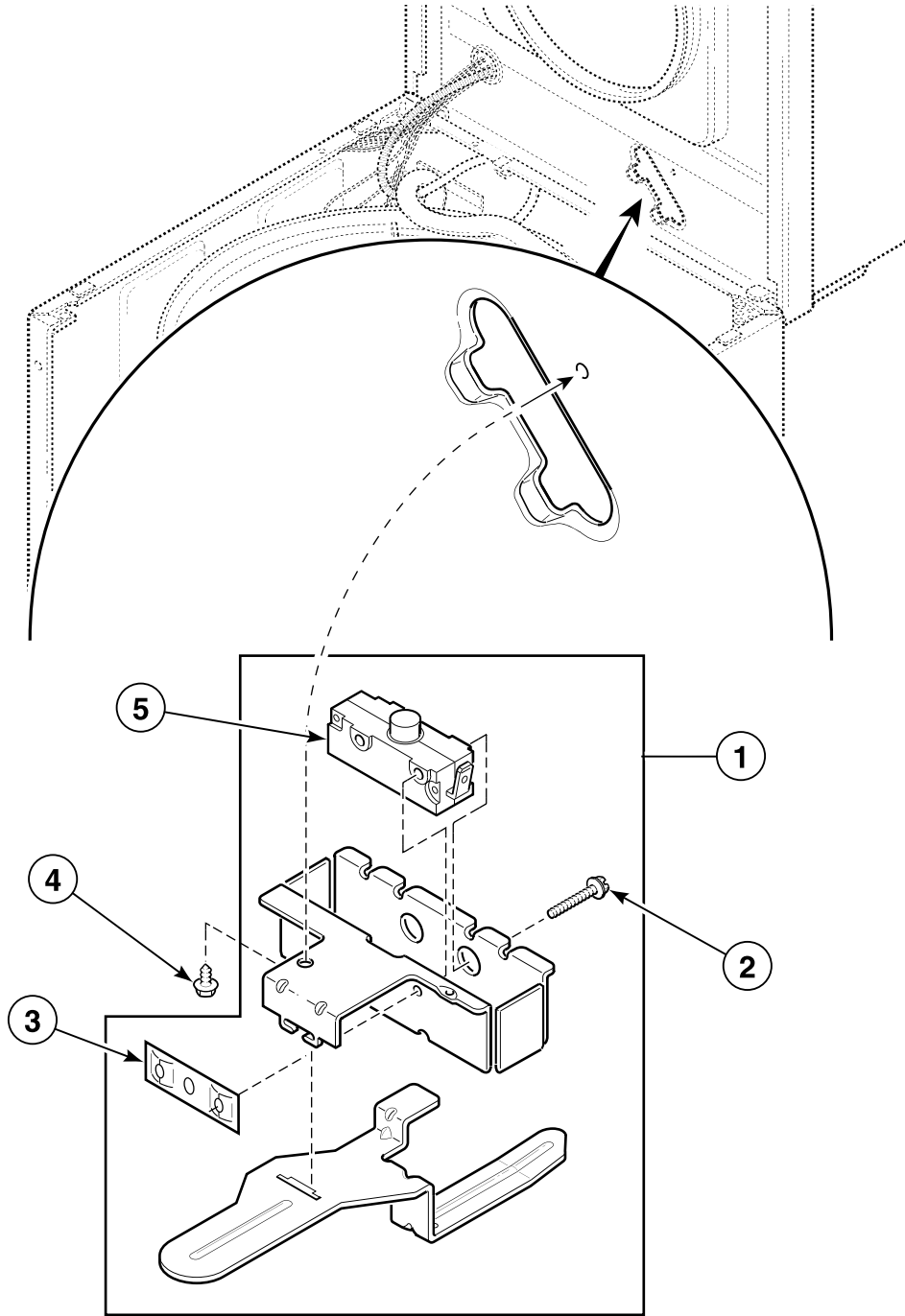
Cabinet Top

REF	PART NO.	DESCRIPTION	COMMENTS
1	52909	Screw	
2	505281	Disconnect Power Warning Label	
3	202083	Bracket	Models starting Serial No. 0812019803
4	23962	Screw	
5	38384	Strain Relief	
6	39185WP	Top Assembly	White; Models HWT020*A, HWT020*C, HWT020*M, HWT020*N, NWT721*A1126, SWT020*A, SWT020*M, SWT020*N, SWT021*A, SWT021*M, SWT021*N, SWT620*A, SWT620*C, SWT620*D, SWT621*C, SWT621*D, SWT621*D1121, SWT621*M, SWT621*M1121, SWT720*A, SWT721*A, SWTC20*M, SWTC20*N, SWTC21*M, SWTC21*N, UWT021*A, UWT021*M and UWT021*N
	39185LP	Top Assembly	Almond; Models HWT020*A, HWT020*C, HWT020*M, HWT020*N, NWT721*A1126, SWT020*A, SWT020*M, SWT020*N, SWT021*A, SWT021*M, SWT021*N, SWT620*A, SWT620*C, SWT620*D, SWT621*C, SWT621*D, SWT621*D1121, SWT621*M, SWT621*M1121, SWT720*A, SWT721*A, SWTC20*M, SWTC20*N, SWTC21*M, SWTC21*N, UWT021*A, UWT021*M and UWT021*N
	N/A	Top Assembly	Bisque; Models HWT020*A, HWT020*C, HWT020*M, HWT020*N, NWT721*A1126, SWT020*A, SWT020*M, SWT020*N, SWT021*A, SWT021*M, SWT021*N, SWT620*A, SWT620*C, SWT620*D, SWT621*C, SWT621*D, SWT621*D1121, SWT621*M, SWT621*M1121, SWT720*A, SWT721*A, SWTC20*M, SWTC20*N, SWTC21*M, SWTC21*N, UWT021*A, UWT021*M and UWT021*N
	210173WP	Top Assembly	White; Models HWT820*N, HWTY20*M, HWTY20*N, JWT820*N, NWTF21*M1126, NWTF21*N1126, SWLF20*N, SWLF21*N, SWLY20*N, SWLY21*N, SWT820*N, SWT821*N, SWTF20*M, SWTF20*M99K5, SWTF20*N, SWTF21*M, SWTF21*N, SWTJ21*M, SWTJ21*M99K5, SWTJ21*N, SWTY20*M, SWTY20*N, SWTY21*M, SWTY21*N and UWT821*N
	210173LP	Top Assembly	Almond; Models HWT820*N, HWTY20*M, HWTY20*N, JWT820*N, NWTF21*M1126, NWTF21*N1126, SWLF20*N, SWLF21*N, SWLY20*N, SWLY21*N, SWT820*N, SWT821*N, SWTF20*M, SWTF20*M99K5, SWTF20*N, SWTF21*M, SWTF21*N, SWTJ21*M, SWTJ21*M99K5, SWTJ21*N, SWTY20*M, SWTY20*N, SWTY21*M, SWTY21*N and UWT821*N
	210173QP	Top Assembly	Bisque; Models HWT820*N, HWTY20*M, HWTY20*N, JWT820*N, NWTF21*M1126, NWTF21*N1126, SWLF20*N, SWLF21*N, SWLY20*N, SWLY21*N, SWT820*N, SWT821*N, SWTF20*M, SWTF20*M99K5, SWTF20*N, SWTF21*M, SWTF21*N, SWTJ21*M, SWTJ21*M99K5, SWTJ21*N, SWTY20*M, SWTY20*N, SWTY21*M, SWTY21*N and UWT821*N
	39167WP	Top	White; All other models
	39167LP	Top	Almond; All other models
	39167QP	Top	Bisque; All other models
7	27222	Nut	Optional; For added security
8	23008	Screw	
9	56534	Support Barrel	
10	36020	Nut	

* Add Letter To Designate Color. L - Almond Q - Bisque W - White

N/A = Part no longer available

Lid Switch

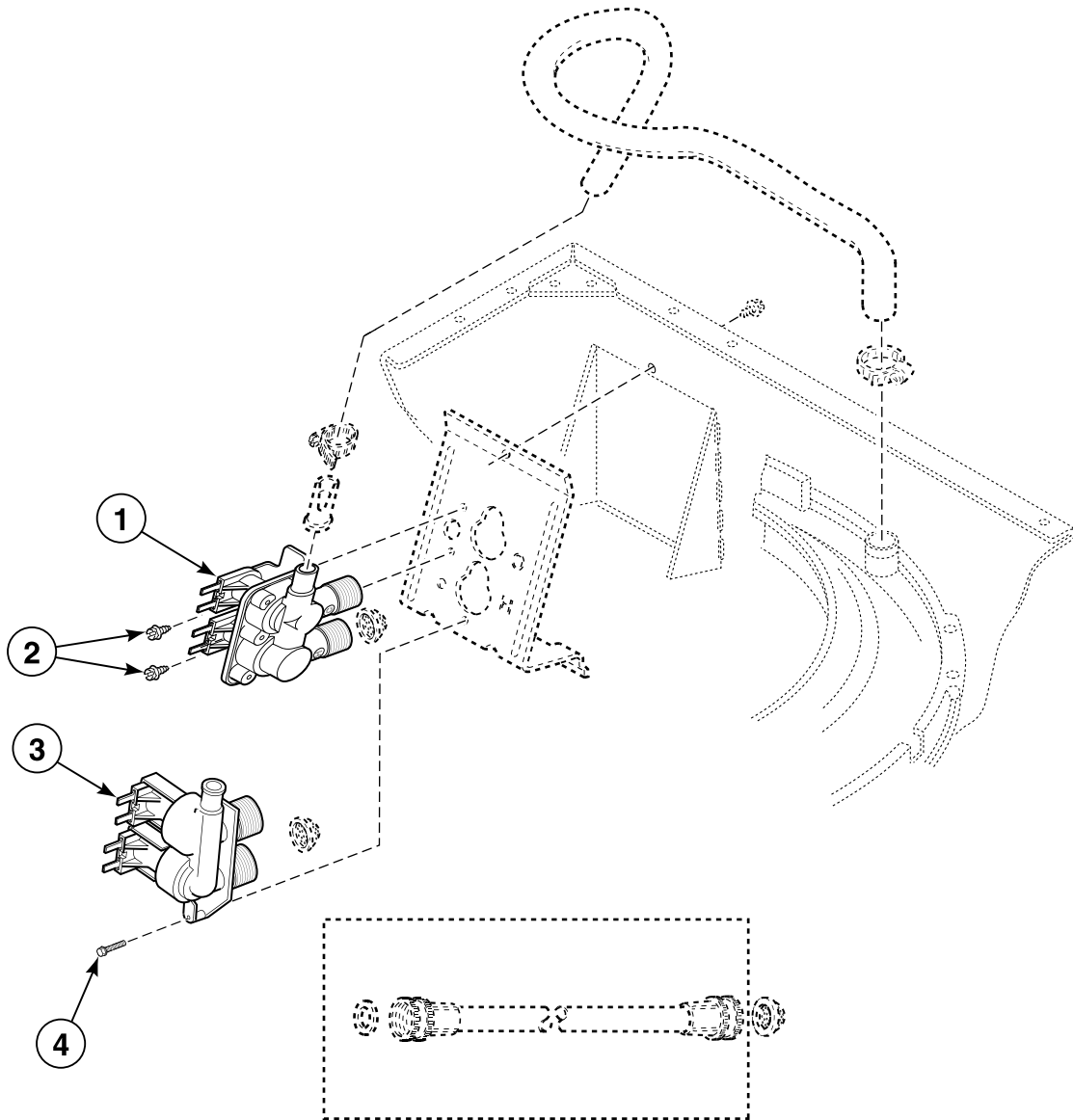


TLW1832B_39200

Lid Switch

REF	PART NO.	DESCRIPTION	COMMENTS
1	37631	Lid Switch Assembly	
2	M402574	Screw	
3	M400981	Nut	
4	23962	Screw	
5	33445	Switch	

Mixing Valve



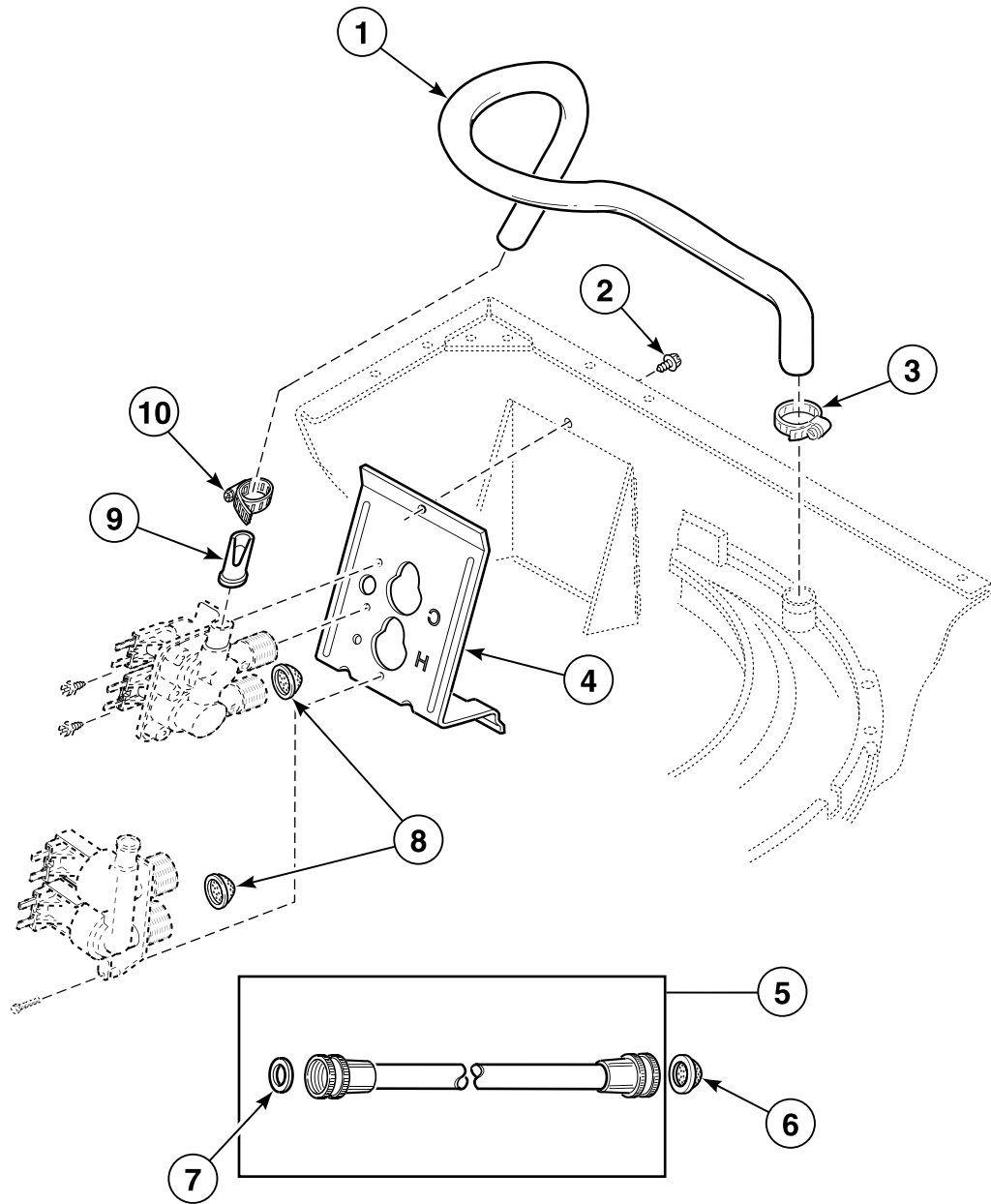
TLW1509PA_39200

Mixing Valve

REF	PART NO.	DESCRIPTION	COMMENTS
1	38495P	Mixing Valve	Models through Serial No. 9809033480
2	501086	Screw	
3	201468P	Mixing Valve	Models HWT820*N, HWT910*N, HWT920*N, JWT820*N, JWT910*N, JWT920*N, SWT820*N, SWT821*N, SWT910*N, SWT910*N1124, SWT911*N, SWT920*N, SWT920*N1124, SWT921*N and UWT821*N starting Serial No. 0706017178; Models BWTT20*N, BWTX20*N, HWT1A0*N, HWTT20*N, HWTV20*N, HWTY20*M, HWTY20*N, HWTZ20*M, HWTZ20*N, SWNBC2PP111TW02, SWNBX2PP111TW02, SWNSX2PP111TW02, SWT2A0*N, SWT2A0*N1124, SWT2B0*N1124, SWTBA0*N, SWTBA1*N, SWTT20*M, SWTT20*N, SWTT20*N99M6, SWTT21*M, SWTT21*N, SWTV20*N, SWTW20*N, SWTW21*N, SWTX21*M, SWTX21*N, SWTY20*M, SWTY20*N, SWTY21*M, SWTY21*N, SWTZ20*M, SWTZ20*N, SWTZ21*M and SWTZ21*N
	201402P	Mixing Valve	Models HWT820*N, HWT910*N, HWT920*N, JWT820*N, JWT910*N, JWT920*N, SWT820*N, SWT821*N, SWT910*N, SWT910*N1124, SWT911*N, SWT920*N, SWT920*N1124, SWT921*N and UWT821*N through Serial No. 0706017177; Models HWT020*A, HWT020*C, HWT020*M, HWT020*N, HWT110*A, HWT110*C, HWT110*M, HWT110*N, HWT120*A, HWT120*C, HWT120*M, HWT120*M99K5, HWT120*N, HWT121*C1123, HWT121*M1123, JWT110*A, JWT110*M, JWT110*N, NWT721*A1126, N WTF21*M1126, N WTF21*N1126, SWL520*N, SWL521*N, SWLB20*N, SWLB21*N, SWLF20*N, SWLF21*N, SWLT20*N, SWLT21*N, SWLY20*N, SWLY21*N, SWT020*A, SWT020*M, SWT020*N, SWT021*A, SWT021*M, SWT021*N, SWT110*A, SWT110*M, SWT110*N, SWT111*A, SWT111*M, SWT111*N, SWT120*A, SWT120*M, SWT120*N, SWT121*A, SWT121*A99G5, SWT121*M, SWT121*M99K5, SWT121*N, SWT210*A, SWT210*A1124, SWT210*M, SWT210*M1124, SWT210*M99K5, SWT210*N, SWT210*N1124, SWT220*A, SWT220*M, SWT220*M1124, SWT220*M99K5, SWT220*N, SWT220*N1124, SWT221*A, SWT221*M, SWT221*M99K5, SWT221*N, SWT320*A, SWT320*M, SWT321*A, SWT321*M, SWT420*A, SWT420*D, SWT420*M, SWT421*A, SWT421*D, SWT421*M, SWT520*A, SWT520*M, SWT520*N, SWT521*A, SWT521*A1119, SWT521*M, SWT521*M99K5, SWT521*N, SWT620*A, SWT620*C, SWT620*D, SWT620*M, SWT621*C, SWT621*D, SWT621*D1121, SWT621*M, SWT621*M1121, SWT720*A, SWT720*M, SWT721*A, SWT721*M, SWTA21*M, SWTA21*N, SWTB20*M, SWTB20*N, SWTB21*M, SWTB21*N, SWTC20*M, SWTC20*N, SWTC21*M, SWTC21*N, SWTF20*M, SWTF20*M99K5, SWTF20*N, SWTF21*M, SWTF21*N, SWTH20*M, SWTH20*N, SWTH21*M, SWTH21*M99K5, SWTH21*N, SWTJ21*M, SWTJ21*M99K5, SWTJ21*N, UWT021*A, UWT021*M and UWT021*N starting Serial No. 9809033481
4	39397	Screw	

* Add Letter To Designate Color. L - Almond Q - Bisque W - White

Fill Hose, Mixing Valve-to-Tub Cover Hose and Mounting Bracket



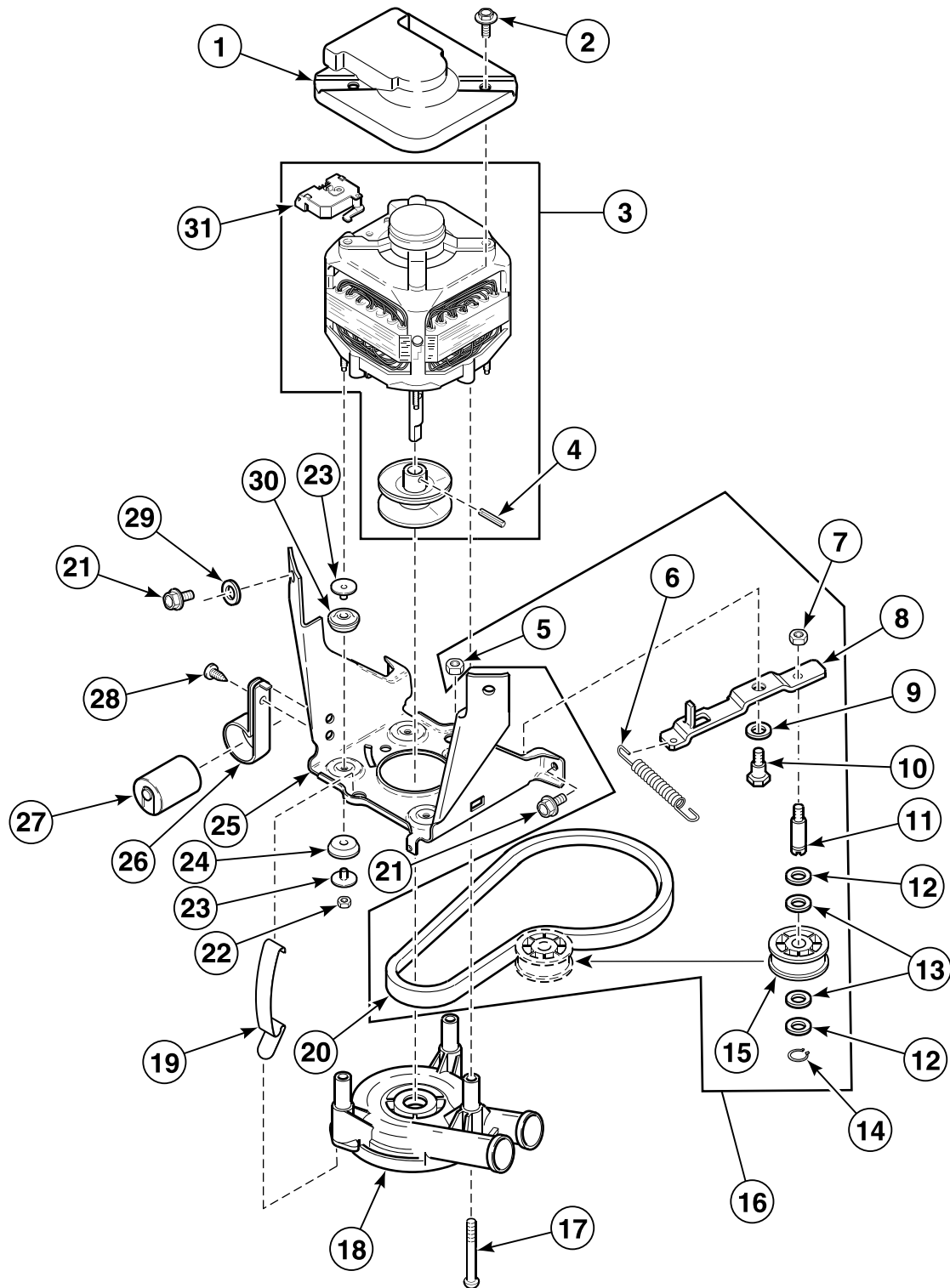
TLW1509PB_39200

Fill Hose, Mixing Valve-to-Tub Cover Hose and Mounting Bracket

REF	PART NO.	DESCRIPTION	COMMENTS
1	38155	Mixing Valve-to-Tub Cover Hose	
2	33562	Screw	
3	800803	Hose Clamp	
4	39407	Mixing Valve Mounting Bracket	
5	28330P	Fill Hose Kit	5 feet; Includes 2 of item 7
	20617	Fill Hose	8 feet; Optional
	20618	Fill Hose	10 feet; Optional
6	28605	Washer	Filter screen
	802254	Washer	Flow restrictor; Water pressure reducer; Available for water pressure up to but not exceeding 120 psi
7	20290	Washer	
8	24122	Mixing Valve Screen	
9	34500	Backflow Preventer	
10	36801	Hose Clamp	

* Add Letter To Designate Color. L - Almond Q - Bisque W - White

Motor, Mounting Bracket, Belt, Pump and Idler Assembly



TLW1479P_39200

Motor, Mounting Bracket, Belt, Pump and Idler Assembly

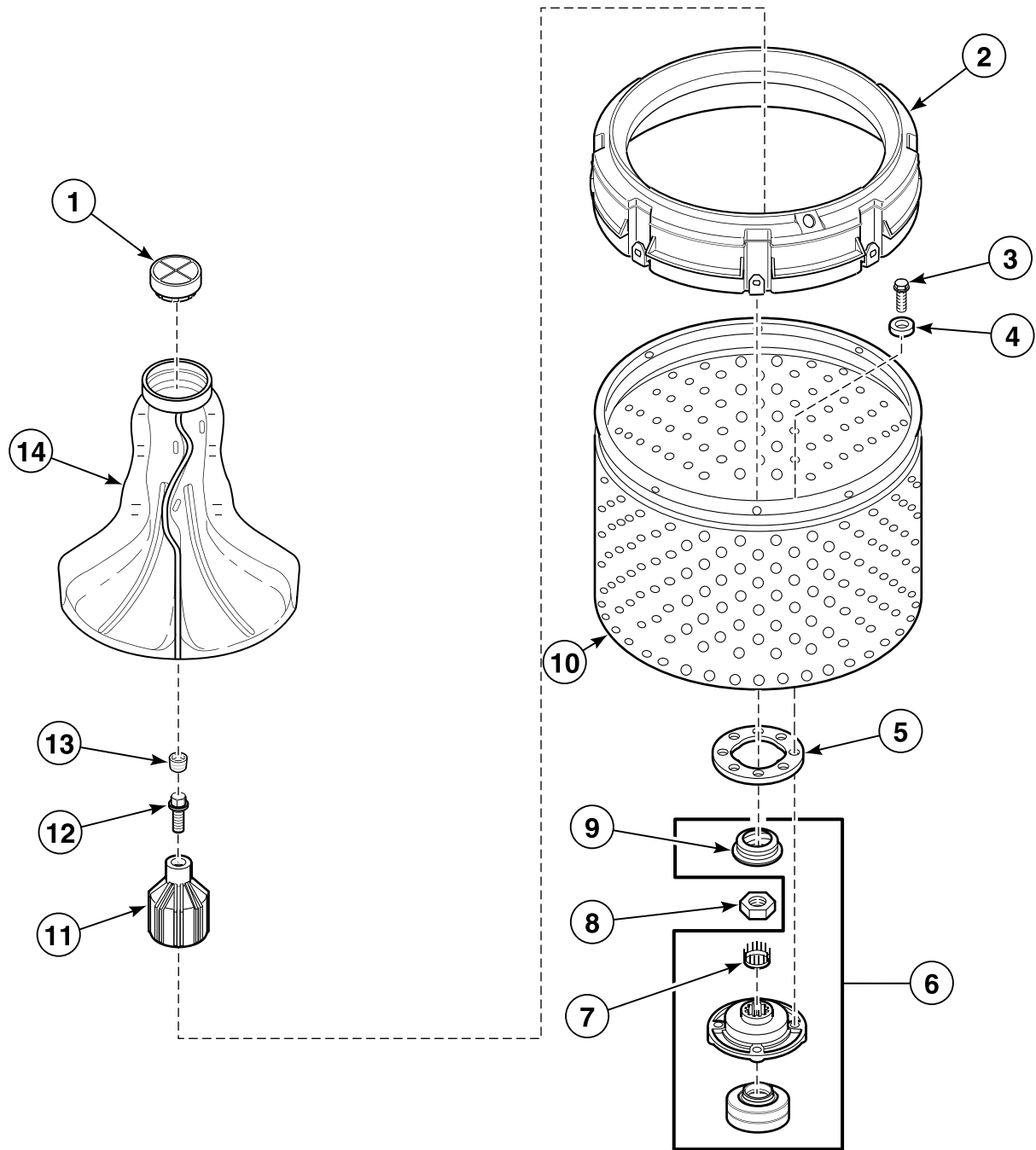
REF	PART NO.	DESCRIPTION	COMMENTS
1	34754	Motor Shield	
2	36639	Screw	
3	38035P	Motor Kit	1 speed; Models HWT110*A, HWT110*C, HWT110*M, HWT110*N, HWT910*N, SWT110*A, SWT110*M, SWT110*N, SWT111*A, SWT111*M, SWT111*N, SWT210*A, SWT210*A1124, SWT210*M, SWT210*M1124, SWT210*M99K5, SWT210*N, SWT210*N1124, SWT2B0*N1124, SWT910*N, SWT910*N1124 and SWT911*N
	38036P	Motor Kit	Models JWT110*A, JWT110*M, JWT110*N and JWT910*N
	38034P	Motor Kit	2 speed; All other models
4	10416	Roll Pin	Models through Serial No. 0011013645
5	52566	Nut	
6	201189	Idler Lever Spring	Models with suffix 99K5; Models with the letter "N" in the 3rd or 8th character of the model number starting Serial No. 0303019901 and continuing through Serial No. 0308014035 and starting again with Serial Nos. beginning 0404
	39666	Idler Lever Spring	All other models
	202032	Idler Lever Spring	Use on units experiencing low RPM
7	28803	Nut	
8	38011	Idler Lever	
9	81392	Washer	
10	27229	Screw	
11	56461P	Shaft	Models through Serial No. 0107000541
	210186	Idler Shaft	Models starting Serial No. 0107000542; Included in item 16
12	504082	Washer	Models starting Serial No. 0107000542
13	52549	Washer	Nylatron
14	23748	Retaining Ring	
15	38225P	Idler Pulley	
16	959P3	Idler Lever Kit	Model SWT121*A99G5; Models with the letter "M" or "N" in the 3rd or 8th character of the model number; Includes items 5-15 (201189 Idler Lever Spring) and 20
17	34565	Screw	Models through Serial No. 0204010658
18	201566P	Pump	
	201442P	Pump Assembly	Heavy duty
19	210202	Spring Clip	Models starting Serial No. 0204010659
20	38174	Agitate and Spin Belt	Model SWT121*A99G5; Models with the letter "M" or "N" in the 3rd or 8th character of the model number; Included in item 16
	37820	Agitate and Spin Belt	All other models
21	35369	Screw	
22	35423	Nut	
23	38325	Isolator Post	
24	38396	Motor Mount	
25	200941	Motor Mount Bracket	
26	37535	Capacitor Clamp	All models except JWT110*A, JWT110*M, JWT110*N and JWT910*N
27	37377	Capacitor	All models except JWT110*A, JWT110*M, JWT110*N and JWT910*N
28	52909	Screw	All models except JWT110*A, JWT110*M, JWT110*N and JWT910*N
29	37772	Washer	
30	38395	Motor Mount	
31	N/A	Motor Switch	

* Add Letter To Designate Color. L - Almond Q - Bisque W - White

N/A = Part no longer available

Agitator, Drive Bell, Hub and Lip Seal Kit and Washtub

Models with Suffix 99K5 and Models with the Letter "N" in the 3rd or 8th Character of the Model Number



TLW1483P_39200

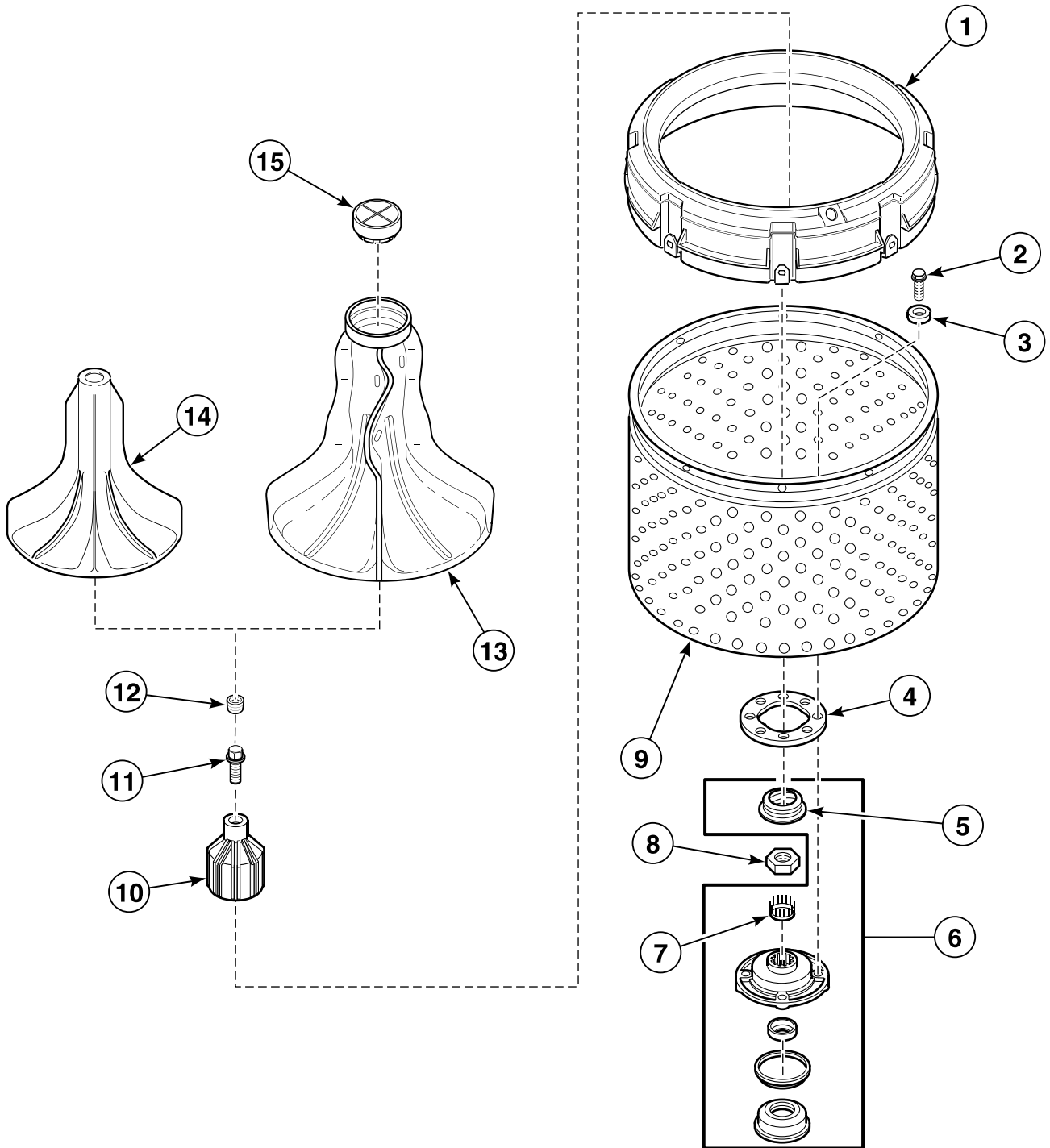
Agitator, Drive Bell, Hub and Lip Seal Kit and Washtub

REF	PART NO.	DESCRIPTION	COMMENTS
1	36515	Agitator Cap	
2	39836	Balance Ring Assembly	
3	27202	Screw	
4	28094	Washer	Rubber; Use with porcelain washtub
5	39122	Washtub Gasket	
6	766P3A	Hub and Lip Seal Kit	DO NOT use any sealant other than 200996P Sealant; Includes item 11 and installation tool
	200996P	Sealant	Use with hub and lip seal kit
7	29728	Spline Insert	
8	29220	Nut	
9	36425	Bell and Transmission Tube Seal	
	36765P	Grease	Use with bell and transmission tube seal
10	719P3	Washtub Kit	Stainless steel; Models SWL521*N, SWLB21*N, SWLF21*N, SWLT21*N and SWLY21*N
	39250P	Tub Kit	Blue porcelain; Models SWL520*N, SWLB20*N, SWLF20*N, SWLT20*N and SWLY20*N
	39387P	Tub Assembly	Stainless steel; Models NWTF21*N1126, SWT021*N, SWT111*N, SWT121*M99K5, SWT121*N, SWT221*M99K5, SWT221*N, SWT521*M99K5, SWT521*N, SWT821*N, SWT911*N, SWT921*N, SWTA21*N, SWTB21*N, SWTBA1*N, SWTC21*N, SWTF21*N, SWTH21*M99K5, SWTH21*N, SWTJ21*M99K5, SWTJ21*N, SWTT21*N, SWTW21*N, SWTX21*N, SWTY21*N, SWTZ21*N, UWT021*N and UWT821*N
	39252P	Tub Assembly	Blue porcelain; Models BWTT20*N, BWTX20*N, HWT020*N, HWT110*N, HWT120*M99K5, HWT120*N, HWT1A0*N, HWT820*N, HWT910*N, HWT920*N, HWTT20*N, HWTV20*N, HWTY20*N, HWTZ20*N, JWT110*N, JWT820*N, JWT910*N, JWT920*N, SWNBC2PP111TW02, SWNBX2PP111TW02, SWNSX2PP111TW02, SWT020*N, SWT110*N, SWT120*N, SWT210*M99K5, SWT210*N, SWT210*N1124, SWT220*M99K5, SWT220*N, SWT2A0*N, SWT2A0*N1124, SWT2B0*N1124, SWT520*N, SWT820*N, SWT910*N, SWT910*N1124, SWT920*N, SWT920*N1124, SWTB20*N, SWTBA0*N, SWTC20*N, SWTF20*M99K5, SWTF20*N, SWTH20*N, SWTT20*N, SWTT20*N99M6, SWTV20*N, SWTW20*N, SWTY20*N and SWTZ20*N
11	39508P	Drive Bell and Seal Kit	Includes items 9, 12 and 13
12	39432	Screw	
13	36511	Bell Plug	
14	33174	Agitator	

* Add Letter To Designate Color. L - Almond Q - Bisque W - White

Agitator, Drive Bell, Hub and Seal Kit and Washtub

Models without Suffix 99K5 or the Letter "N" in the 3rd or 8th Character of the Model Number



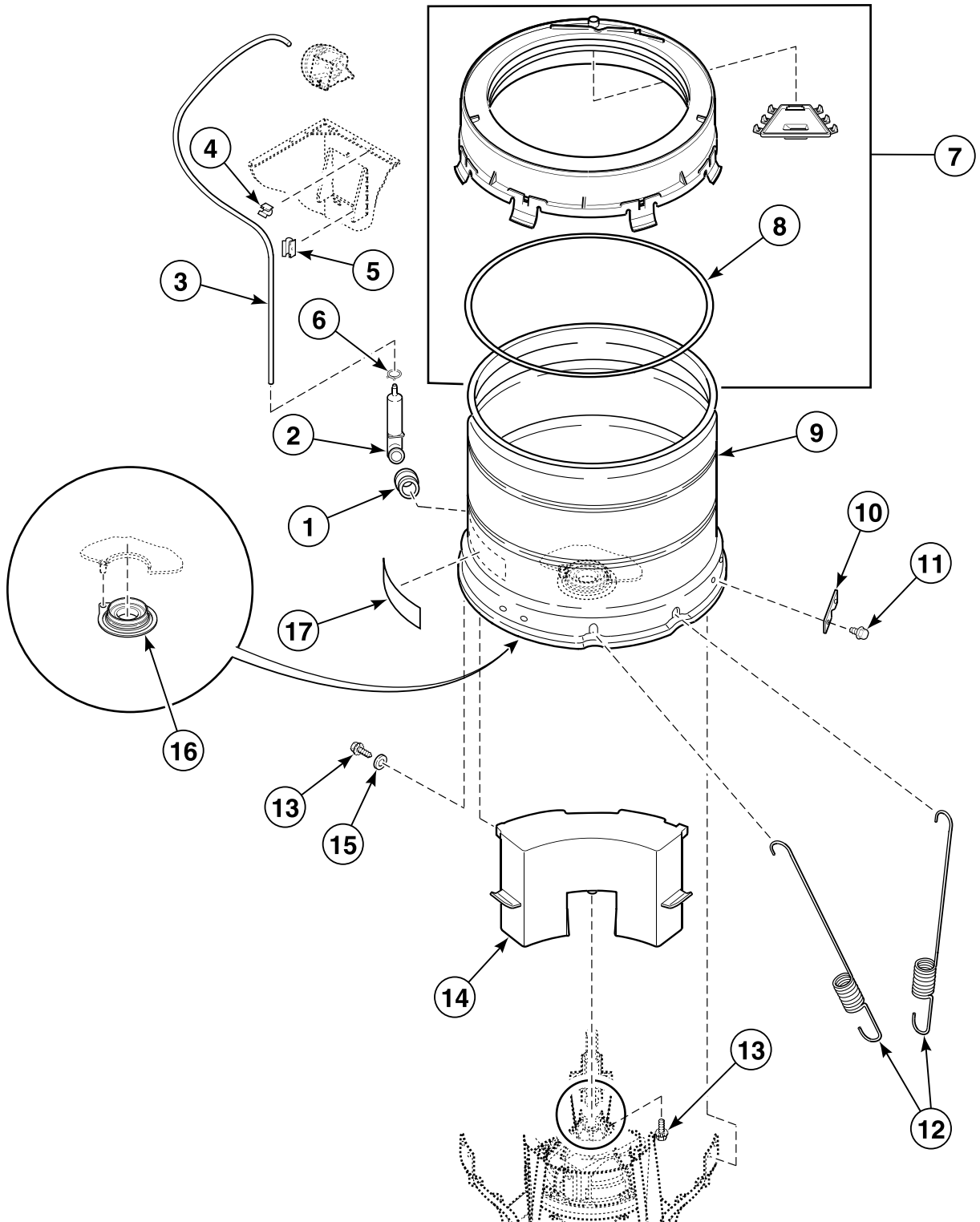
TLW1510P_39200

Agitator, Drive Bell, Hub and Seal Kit and Washtub

REF	PART NO.	DESCRIPTION	COMMENTS
1	39836	Balance Ring Assembly	Models through Serial No. 9706046552 and starting again with Serial No. 9707006361
	39837	Balance Ring Assembly	Models starting Serial No. 9706046553 and continuing through Serial No. 9707006360
2	27202	Screw	
3	28094	Washer	Rubber; Use with porcelain washtub
4	39122	Washtub Gasket	
5	36425	Bell and Transmission Tube Seal	
	36765P	Grease	Use with bell and transmission tube seal
6	646P3	Hub and Seal Kit	Includes item 10 and 38359 Tub Cover Gasket
7	29728	Spline Insert	
8	29220	Nut	
9	39387P	Tub Assembly	Stainless steel; Models HWT121*C1123, HWT121*M1123, NWT721*A1126, NWTF21*M1126, SWT021*A, SWT021*M, SWT111*A, SWT111*M, SWT121*A, SWT121*A99G5, SWT121*M, SWT221*A, SWT221*M, SWT321*A, SWT321*M, SWT421*A, SWT421*D, SWT421*M, SWT521*A, SWT521*A1119, SWT521*M, SWT621*C, SWT621*D, SWT621*D1121, SWT621*M, SWT621*M1121, SWT721*A, SWT721*M, SWTA21*M, SWTB21*M, SWTC21*M, SWTF21*M, SWTH21*M, SWTJ21*M, SWTT21*M, SWTX21*M, SWTY21*M, SWTZ21*M, UWT021*A and UWT021*M
	39252P	Tub Assembly	Blue porcelain; All other models
10	39508P	Drive Bell and Seal Kit	Includes items 5, 11 and 12
11	39432	Screw	
12	36511	Bell Plug	
13	33174	Agitator	Model SWT121*A99G5; Models with the letter "M" in the 8th character of the model number
14	33513	Agitator	All other models
15	36515	Agitator Cap	Use with item 13

Outer Tub, Cover, Bearing and Seal Housing, Pressure Hose and Counterweight

Models with Suffix 99K5 and Models with the Letter "N" in the 3rd or 8th Character of the Model Number



TLW1464P_39200

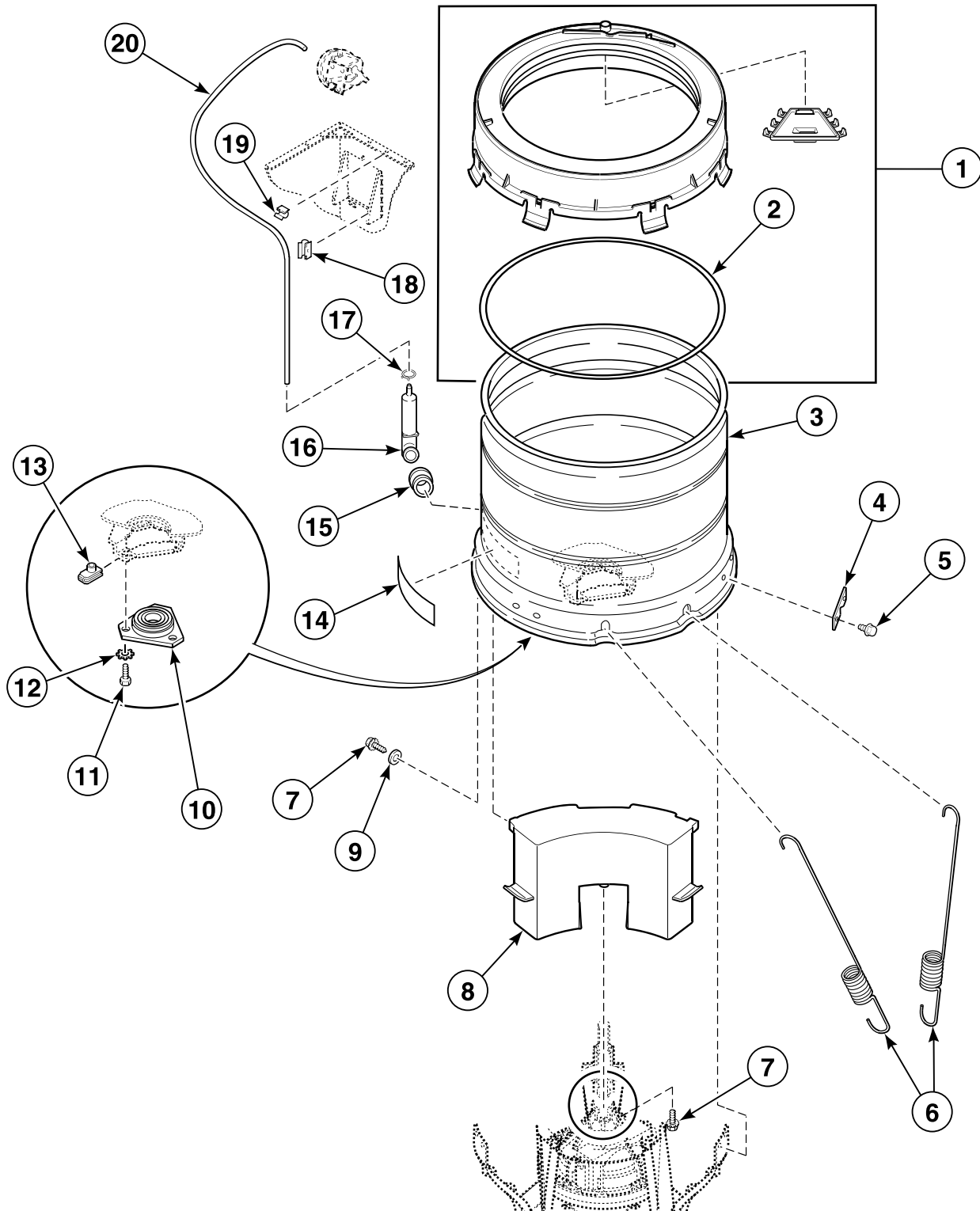
Outer Tub, Cover, Bearing and Seal Housing, Pressure Hose and Counterweight

REF	PART NO.	DESCRIPTION	COMMENTS
1	29175	Grommet	
2	30907	Pressure Bulb	
3	39124	Tubing	28 inch; Models BWTT20*N, BWTX20*N, HWTT20*N, HWTY20*N, HWTZ20*N, SWNBC2PP111TW02, SWNBX2PP111TW02, SWTA21*N, SWTB20*N, SWTB21*N, SWTBA0*N, SWTBA1*N, SWTC20*N, SWTC21*N, SWTF20*M99K5, SWTF20*N, SWTF21*N, SWTH20*N, SWTH21*M99K5, SWTH21*N, SWTJ21*M99K5, SWTJ21*N, SWTT20*N, SWTT20*N99M6, SWTT21*N, SWTX21*N, SWTY20*N, SWTY21*N, SWTZ20*N and SWTZ21*N
	39125	Tubing	31 inch; All other models
4	21036	Cable Clip	
5	36985	Hose Clip	
6	39282	Hose Clamp	
7	201430	Tub Cover and Gasket Assembly	Models BWTT20*N, BWTX20*N, HWTT20*N, HWTV20*N, HWTY20*N, HWTZ20*N, SWTT20*N, SWTT21*N, SWTV20*N, SWTW20*N, SWTW21*N, SWTX21*N, SWTY20*N, SWTY21*N, SWTZ20*N and SWTZ21*N starting Serial No. 0404003171; Models HWT820*N, HWT910*N, HWT920*N, JWT820*N, JWT910*N, JWT920*N, SWLT20*N, SWLT21*N, SWLY20*N, SWLY21*N, SWNBC2PP111TW02, SWNBX2PP111TW02, SWNSX2PP111TW02, SWT820*N, SWT821*N, SWT910*N, SWT910*N1124, SWT911*N, SWT920*N, SWT920*N1124, SWT921*N and UWT821*N; Includes item 8
	38573	Tub Cover and Gasket Assembly	All other models; Includes item 8
8	38359	Tub Cover Gasket	
9	200511P	Outer Tub Assembly	Models SWL520*N, SWL521*N, SWLB20*N, SWLB21*N, SWLF20*N, SWLF21*N, SWLT20*N, SWLT21*N, SWLY20*N and SWLY21*N
	200510P	Outer Tub Assembly	All other models
	636P3	Outer Tub Flange Kit	Use to replace outer tub flange due to flange damage or corrosion
10	27926	Leg Plate	
11	35369	Screw	
12	37575	Leg Spring	Models SWL520*N, SWL521*N, SWLB20*N, SWLB21*N, SWLF20*N, SWLF21*N, SWLT20*N, SWLT21*N, SWLY20*N and SWLY21*N
	37576	Leg Spring	All other models
13	39566	Screw	
14	38769	Counterweight Assembly	
15	39249	Washer	
16	766P3A	Hub and Lip Seal Kit	
17	500049	Warning Label	

* Add Letter To Designate Color. L - Almond Q - Bisque W - White

Outer Tub, Cover, Bearing Housing, Pressure Hose and Counterweight

Models without Suffix 99K5 or the Letter "N" in the 3rd or 8th Character of the Model Number



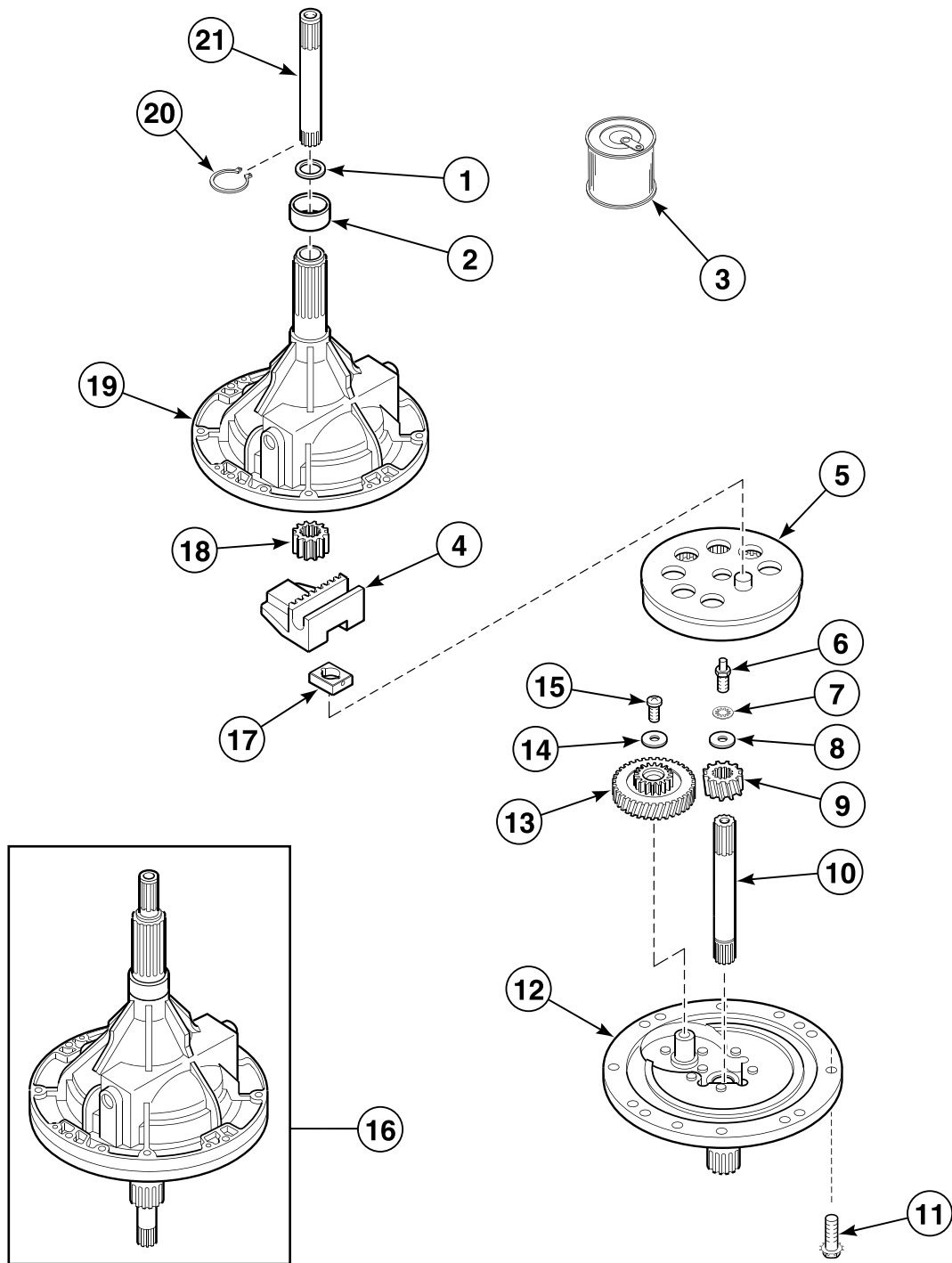
TLW1624P_39200

Outer Tub, Cover, Bearing Housing, Pressure Hose and Counterweight

REF	PART NO.	DESCRIPTION	COMMENTS
1	38573	Tub Cover and Gasket Assembly	Includes item 2; Models through Serial No. 9706046552 and starting again with Serial No. 9707006361
	201681	Outer Tub Cover Assembly	Includes item 2; Models starting Serial No. 9706046553 and continuing through Serial No. 9707006360
2	38359	Tub Cover Gasket	
3	37981P	Outer Tub Kit	
	636P3	Outer Tub Flange Kit	Use to replace outer tub flange due to flange damage or corrosion
4	27926	Leg Plate	
5	35369	Screw	
6	37576	Leg Spring	
7	39566	Screw	
8	38769	Counterweight Assembly	
9	39249	Washer	
10	27182	Bearing Housing Assembly	
11	M400057	Screw	
12	202010	Washer	
13	27222	Nut	
14	500049	Warning Label	
15	29175	Grommet	
16	30907	Pressure Bulb	
17	39282	Hose Clamp	
18	36985	Hose Clip	
19	21036	Cable Clip	
20	39124	Tubing	28 inch; Models HWT020*A, HWT020*C, HWT020*M, HWT110*A, HWT110*C, HWT120*A, HWT120*C, HWT121*C1123, HWTY20*M, HWTZ20*M, JWT110*A, SWT020*A, SWT021*A, SWT110*A, SWT111*A, SWT120*A, SWT121*A, SWT210*A, SWT220*A, SWT221*A, SWT320*A, SWT321*A, SWTA21*M, SWTB20*M, SWTB21*M, SWTC20*M, SWTC21*M, SWTF20*M, SWTF21*M, SWTH20*M, SWTH21*M, SWTJ21*M, SWTT20*M, SWTT21*M, SWTX21*M, SWTY20*M, SWTY21*M, SWTZ20*M, SWTZ21*M and UWT021*A
	39125	Tubing	31 inch; All other models

* Add Letter To Designate Color. L - Almond Q - Bisque W - White

Transmission Assembly



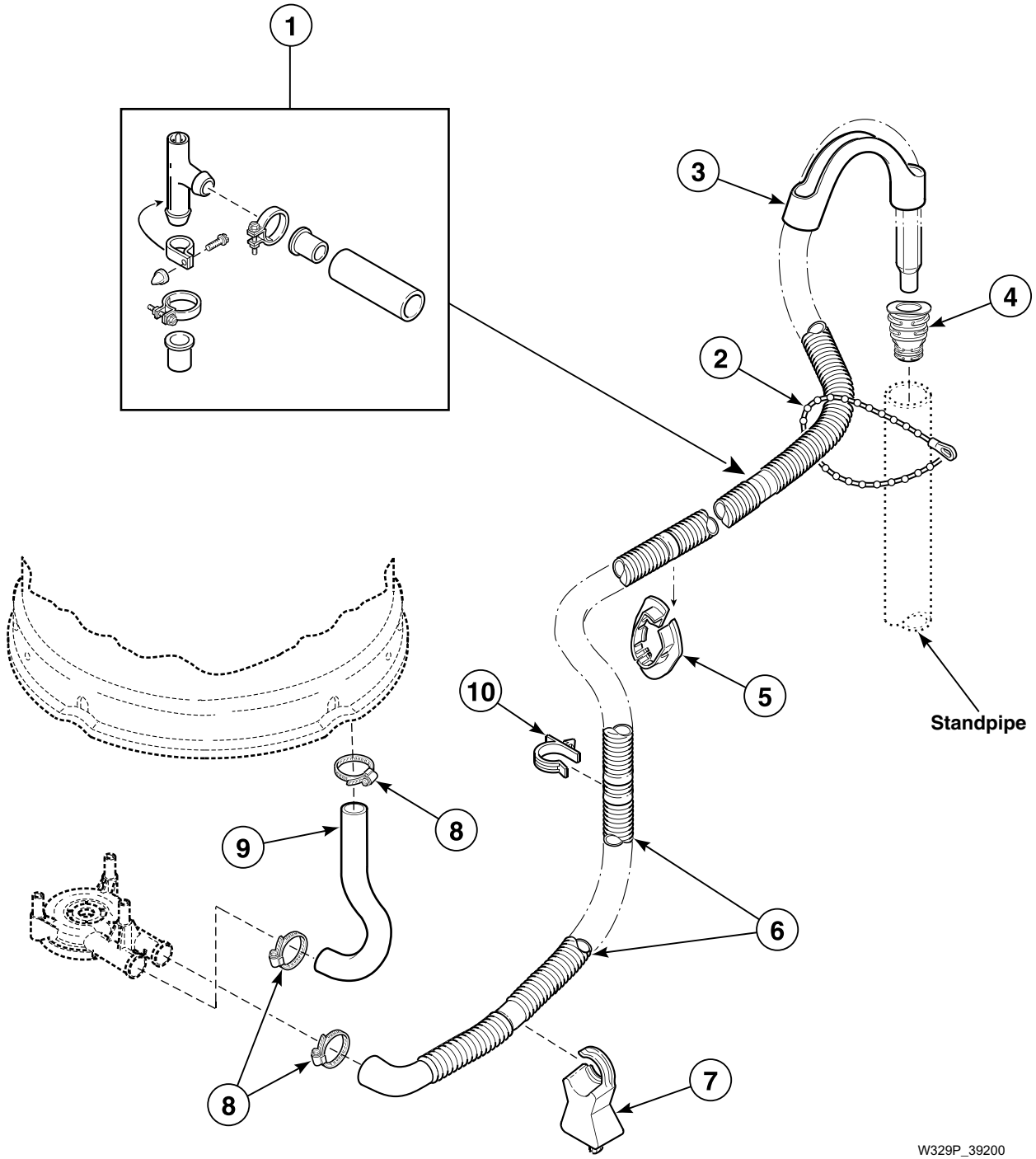
TLW1467P_39200

Transmission Assembly

REF	PART NO.	DESCRIPTION	COMMENTS
	27604P	Anti-Seize Compound	Apply to the smooth area of both the upper and lower transmission shafts
	37577P	Transmission Sealant	Use between transmission case and cover
1	35092	Washer	
2	201212	Hub Spacer	Models with suffix 99K5; Models with letter "N" in the 3rd or 8th character of model number
3	27243P	Transmission Oil	1 fill
4	31526	Rack	
5	26577	Gear and Stud Assembly	
6	201773	Screw	
7	21456	Washer	Models through Serial No. 9712011370
8	26509	Washer	
9	37405	Drive Pinion	Use with 38165P Transmission Assembly
	37406P	Drive Pinion	Use with 38826P Transmission Assembly
10	38268P	Input Shaft	
11	32814	Screw	
12	37471	Transmission Cover Assembly	
13	37404P	Reduction Gear	Use with 38165P Transmission Assembly
	37403P	Reduction Gear	Use with 38826P Transmission Assembly
14	29260	Washer	
15	29273	Screw	
16	38165P	Transmission Assembly	
17	26493	Slide	
18	27003	Agitator Pinion	
19	33223P	Transmission Case Assembly	
20	27197	Retaining Ring	
21	36570P	Output Shaft	

Drain Hose and Siphon Break

Models JWT110*A, JWT110*M, JWT110*N, JWT910*N, SWT210*A1124, SWT210*M1124, SWT210*N1124, SWT220*M1124, SWT220*N1124, SWT2A0*N1124, SWT2B0*N1124, SWT910*N1124 and SWT920*N1124



W329P_39200

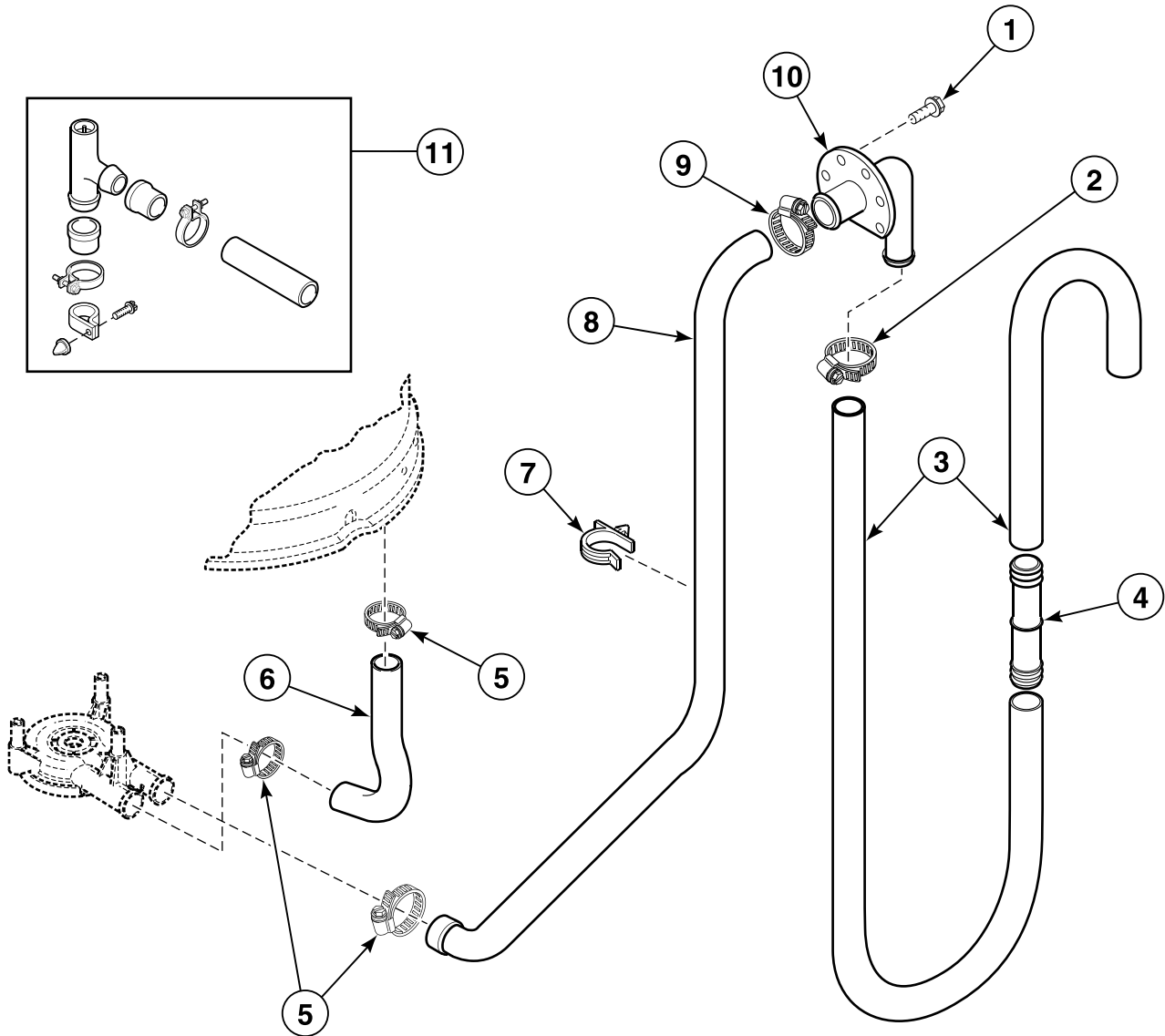
Drain Hose and Siphon Break

REF	PART NO.	DESCRIPTION	COMMENTS
1	562P3	Siphon Break Kit	Siphon break kit must be installed in drain hose if drain receptacle is lower than cabinet top of washer
2	33489	Standpipe Strap	
3	33615	Drain Hose Sleeve	
4	36878	Standpipe Adapter	
5	32219	Strain Relief	
6	39893	Drain Hose	
7	38732	Hose Stand	
8	F200204	Hose Clamp	
9	38351	Tub-to-Pump Hose	
10	36014	Retainer Clip	

* Add Letter To Designate Color. L - Almond Q - Bisque W - White

Drain Hoses and Siphon Break Kit

All Models Except JWT110*A, JWT110*M, JWT110*N, JWT910*N, SWT210*A1124, SWT210*M1124, SWT210*N1124, SWT220*M1124, SWT220*N1124, SWT2A0*N1124, SWT2B0*N1124, SWT910*N1124 and SWT920*N1124



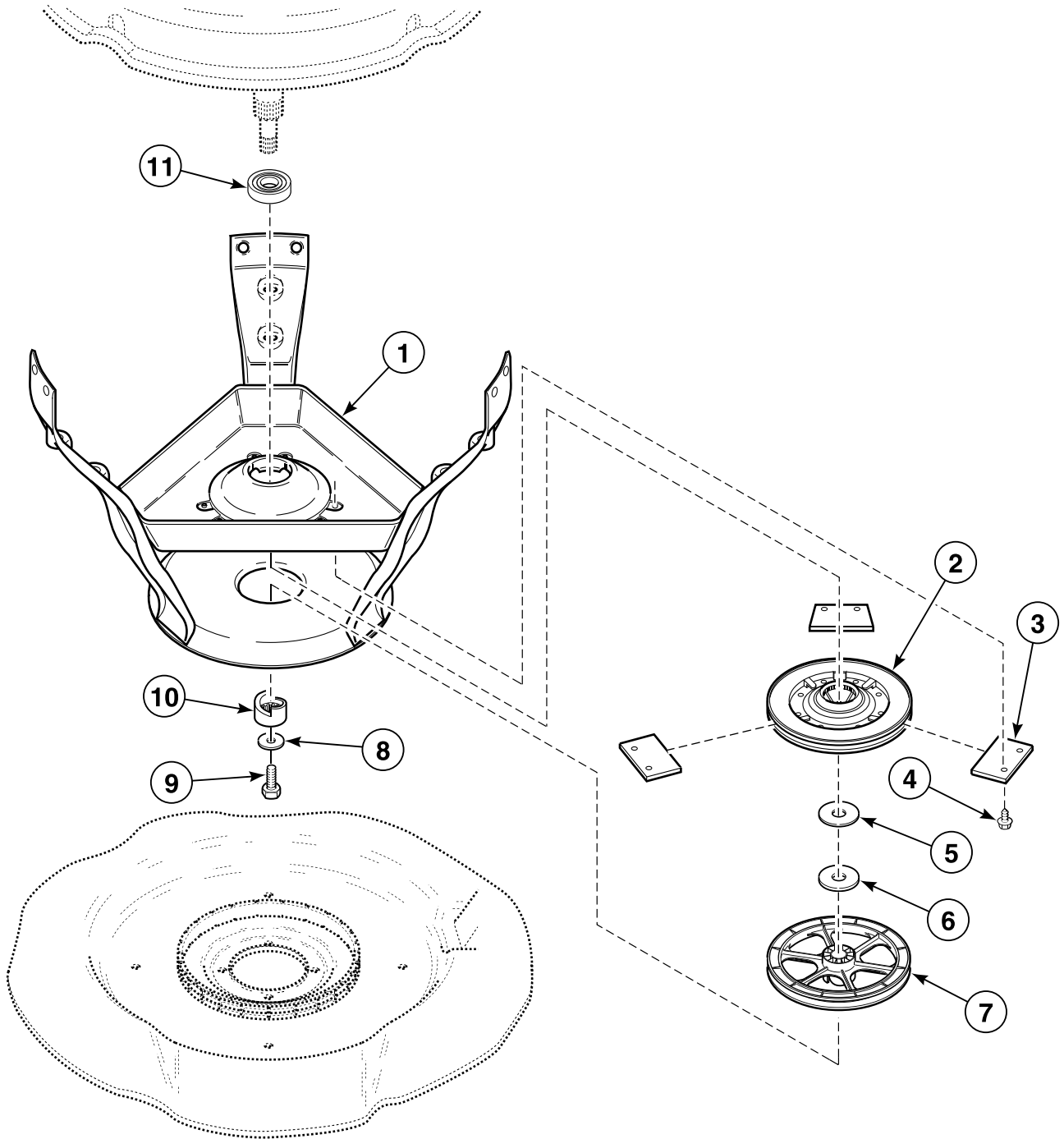
W354P_39200

Drain Hoses and Siphon Break Kit

REF	PART NO.	DESCRIPTION	COMMENTS
1	52909	Screw	
2	20211	Hose Clamp	
3	28293	Drain Hose	
4	25863	Hose Coupler	If drain hose must be shortened, cut hose between molded end and molded elbow; Use (1) 25863 Hose Coupler to splice hose
5	36802	Hose Clamp	
6	38351	Tub-to-Pump Hose	
7	39177	Hose Retainer Clip	
8	38273	Pump-to-Drain Elbow Hose	
9	20391	Hose Clamp	
10	36990	Drain Hose Elbow	
11	562P3	Siphon Break Kit	Siphon break kit must be installed in drain hose if drain receptacle is lower than cabinet top of washer

* Add Letter To Designate Color. L - Almond Q - Bisque W - White

Weldment and Bearing Assembly, Brake and Pulley



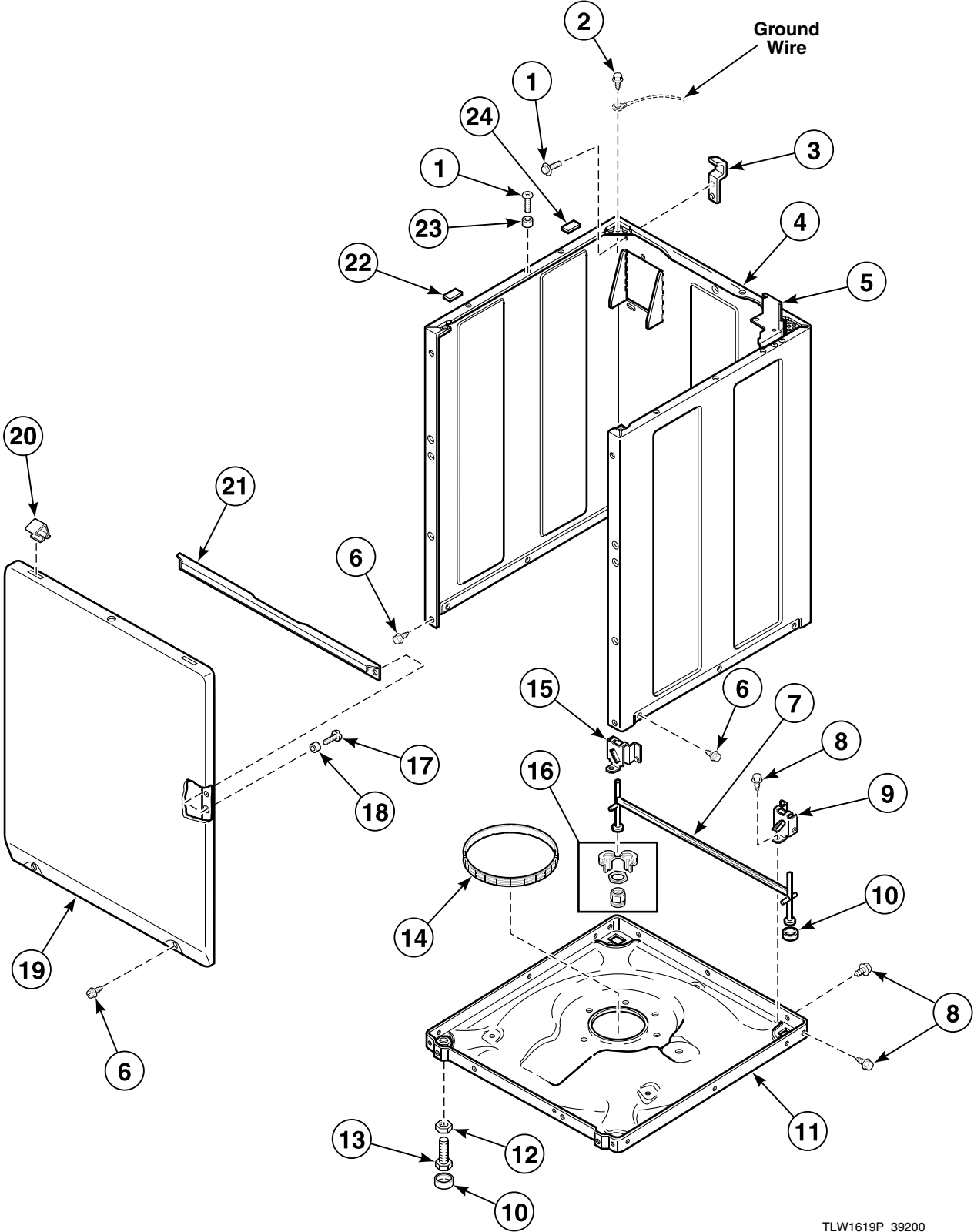
W333P_39200

Weldment and Bearing Assembly, Brake and Pulley

REF	PART NO.	DESCRIPTION	COMMENTS
1	39253	Weldment and Bearing Assembly	Models SWL520*N, SWL521*N, SWLB20*N, SWLB21*N, SWLF20*N, SWLF21*N, SWLT20*N, SWLT21*N, SWLY20*N and SWLY21*N
	39254	Weldment and Bearing Assembly	All other models
2	38505P	Brake Kit	
3	735P3	Brake Pad Kit	Includes 3 pads
	26594P	Silicone Grease	Apply small amount to each new brake pad
4	39739	Screw	
5	35535	Washer	Thin
6	27015	Washer	Thick
7	38143	Pulley	Model SWT121*A99G5; Models with letter "M" or "N" in the 3rd or 8th character of the model number
	38007	Pulley Assembly	All other models
8	26509	Washer	
9	27220	Screw	
10	38008	Helix	
11	28944RP	Upper or Lower Bearing	

* Add Letter To Designate Color. L - Almond Q - Bisque W - White

Front Panel, Base Assembly and Cabinet Kit



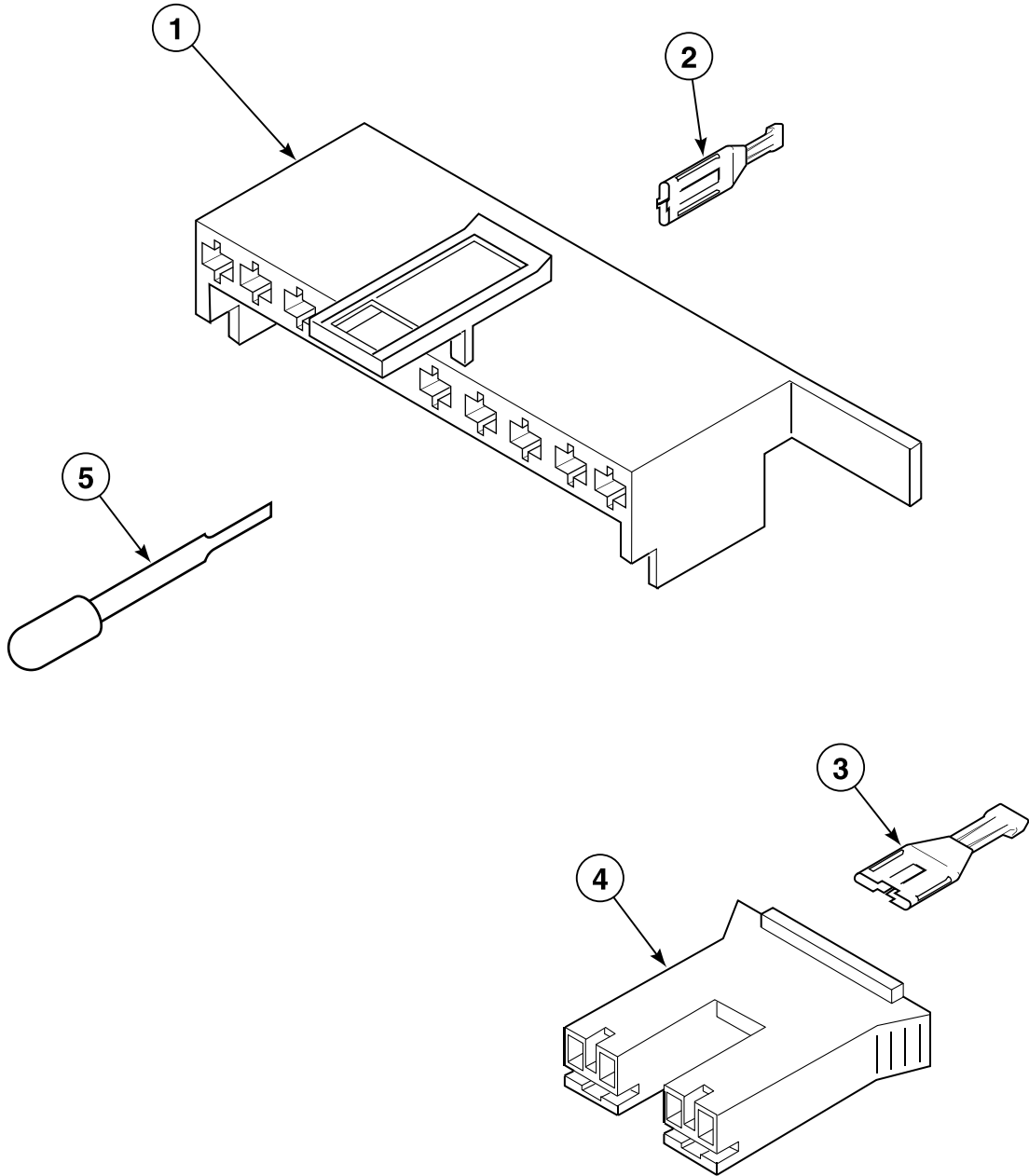
TLW1619P_39200

Front Panel, Base Assembly and Cabinet Kit

REF	PART NO.	DESCRIPTION	COMMENTS
1	51780	Screw	
2	52909	Screw	
3	27103	Hold-Down Lug Hinge	
4	38612WP	Service Cabinet Kit	White
	38612LP	Service Cabinet Kit	Almond
	38612QP	Service Cabinet Kit	Bisque
5	35867	Meter Case Mounting Bracket Assembly	
6	27196	Screw	Slotted hex head
	35527	Screw	Torx head
7	34443	Leg and Stabilizer Assembly	
8	35148	Screw	
9	36036	Bracket	Right
10	34318	Rubber Foot	
11	39788	Base Assembly	
12	21899	Nut	
13	34319	Leveling Leg	
14	37937	Friction Ring	
15	36037	Bracket	Left
16	566P3	Adjustable Leg Extension Kit	Provides adjustment capabilities to rear self-leveling legs
17	39733	Screw	
18	28102	Panel Locator	
19	38335WP	Front Panel	White
	38335LP	Front Panel	Almond
	38335QP	Front Panel	Bisque
20	35865	Hold-Down Clip	
21	35097	Front Panel Brace	
22	56128	Bumper Pad	
23	56079	Panel Locator	
24	36226	Bumper Pad	

* Add Letter To Designate Color. L - Almond Q - Bisque W - White

Mixing Valve and Motor Disconnect Blocks, Terminals and Terminal Extractor Tool

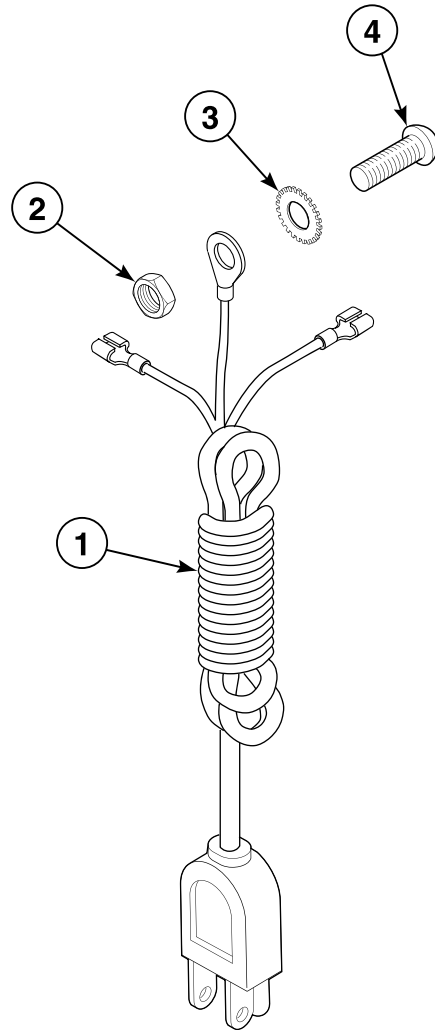


W134PZ3A_39200

Mixing Valve and Motor Disconnect Blocks, Terminals and Terminal Extractor Tool

REF	PART NO.	DESCRIPTION	COMMENTS
1	34677	10 Circuit Plug	Motor
2	00188	Female Terminal	For 1 or 2 wire application
3	00121	Female Spade Terminal	1/4 inch
4	34675	Mixing Valve Plug	Natural
	34676	Mixing Valve Plug	Red
5	283P4	Terminal Extractor Tool	

Lead-In Cord



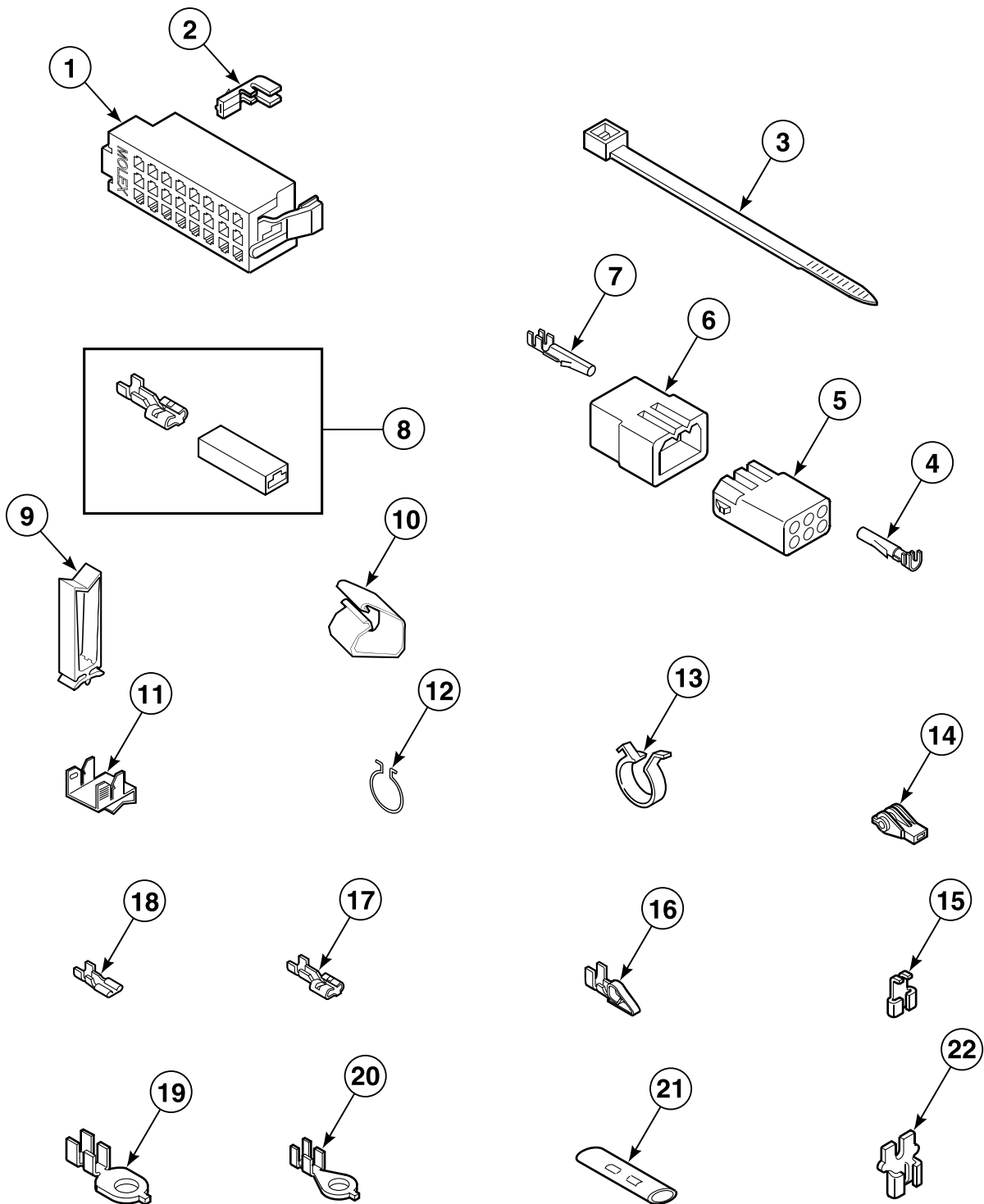
TLW1089P_39200

Lead-In Cord

REF	PART NO.	DESCRIPTION	COMMENTS
1	34458	Lead-In Cord	Models BWTT20*N, BWTX20*N, HWT020*C, HWT020*M, HWT020*N, HWT820*N, HWT910*N, HWT920*N, HWTT20*N, HWTY20*M, HWTY20*N, HWTZ20*M, HWTZ20*N, JWT820*N, JWT910*N, JWT920*N, NWT721*A1126, NWT721*M1126, NWT721*N1126, SWL520*N, SWL521*N, SWLB20*N, SWLB21*N, SWLF20*N, SWLF21*N, SWLT20*N, SWLT21*N, SWLY20*N, SWLY21*N, SWNBC2PP111TW02, SWNBX2PP111TW02, SWNSX2PP111TW02, SWT020*A, SWT020*M, SWT020*N, SWT021*A, SWT021*M, SWT021*N, SWT420*A, SWT420*D, SWT421*A, SWT421*D, SWT520*A, SWT520*M, SWT520*N, SWT521*A, SWT521*A1119, SWT521*M, SWT521*M99K5, SWT521*N, SWT620*A, SWT620*C, SWT620*D, SWT620*M, SWT621*C, SWT621*D, SWT621*D1121, SWT621*M, SWT621*M1121, SWT720*A, SWT721*A, SWT820*N, SWT821*N, SWT910*N, SWT910*N1124, SWT911*N, SWT920*N, SWT920*N1124, SWT921*N, SWTA21*M, SWTA21*N, SWTB20*M, SWTB20*N, SWTB21*M, SWTB21*N, SWTBA0*N, SWTBA1*N, SWTC20*M, SWTC20*N, SWTC21*M, SWTC21*N, SWTF20*M, SWTF20*M99K5, SWTF20*N, SWTF21*M, SWTF21*N, SWTH20*M, SWTH20*N, SWTH21*M, SWTH21*M99K5, SWTH21*N, SWTJ21*M, SWTJ21*M99K5, SWTJ21*N, SWTT20*M, SWTT20*N, SWTT20*N99M6, SWTT21*M, SWTT21*N, SWTX21*M, SWTX21*N, SWTY20*M, SWTY20*N, SWTY21*M, SWTY21*N, SWTZ20*M, SWTZ20*N, SWTZ21*M, SWTZ21*N, UWT021*A, UWT021*M, UWT021*N and UWT821*N
	39404	Lead-In Cord	All other models
2	03673	Nut	
3	21735	Washer	
4	20267	Screw	

* Add Letter To Designate Color. L - Almond Q - Bisque W - White

Terminals



TLW1257P_39200

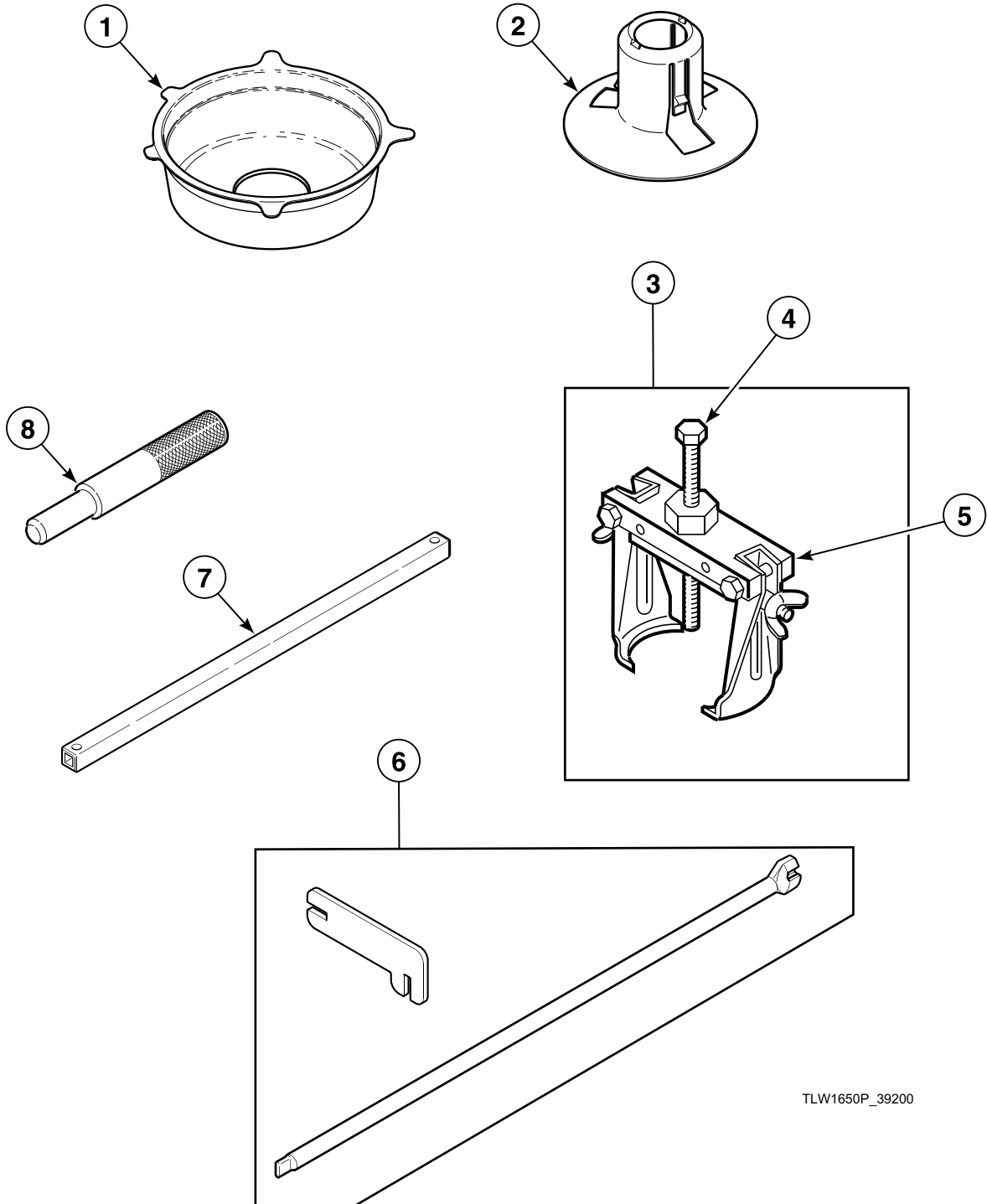
Terminals

REF	PART NO.	DESCRIPTION	COMMENTS
1	32746	24 Position Housing	Right; Black
	34123	24 Position Housing	Left; White
2	00188	Female Terminal	Used for 1 or 2 wire application
3	55881	Harness Strap	
4	00117	Female Pin Terminal	
5	26301	1 Circuit Receptacle	
	26708	6 Circuit Receptacle	
	26163	9 Circuit Receptacle	
6	26302	1 Circuit Plug	
	23041	6 Circuit Plug	
	23033	9 Circuit Plug	
7	00116	Male Pin Terminal	
8	00359	Ultra Pod Terminal	
9	36274	Wire Clip	
10	N/A	Harness Clip	
11	00161	Grounding Clip	
12	51291	Wire Clip	
13	504034	Wire Clip	
14	70210	Insulator	
15	00120	Female Flag Terminal	
16	N/A	Spade Terminal	Female; 1/4 inch
17	00223	Female Spade Terminal	Large spade
18	00112	Female Spade Terminal	Small spade
19	N/A	Ring Terminal	1/4 inch ring
20	00110	Ring Terminal	Small shank
21	21091	Connector	
22	F140562	Connector	

* Add Letter To Designate Color. L - Almond Q - Bisque W - White

N/A = Part no longer available

Shipping Materials and Special Tools



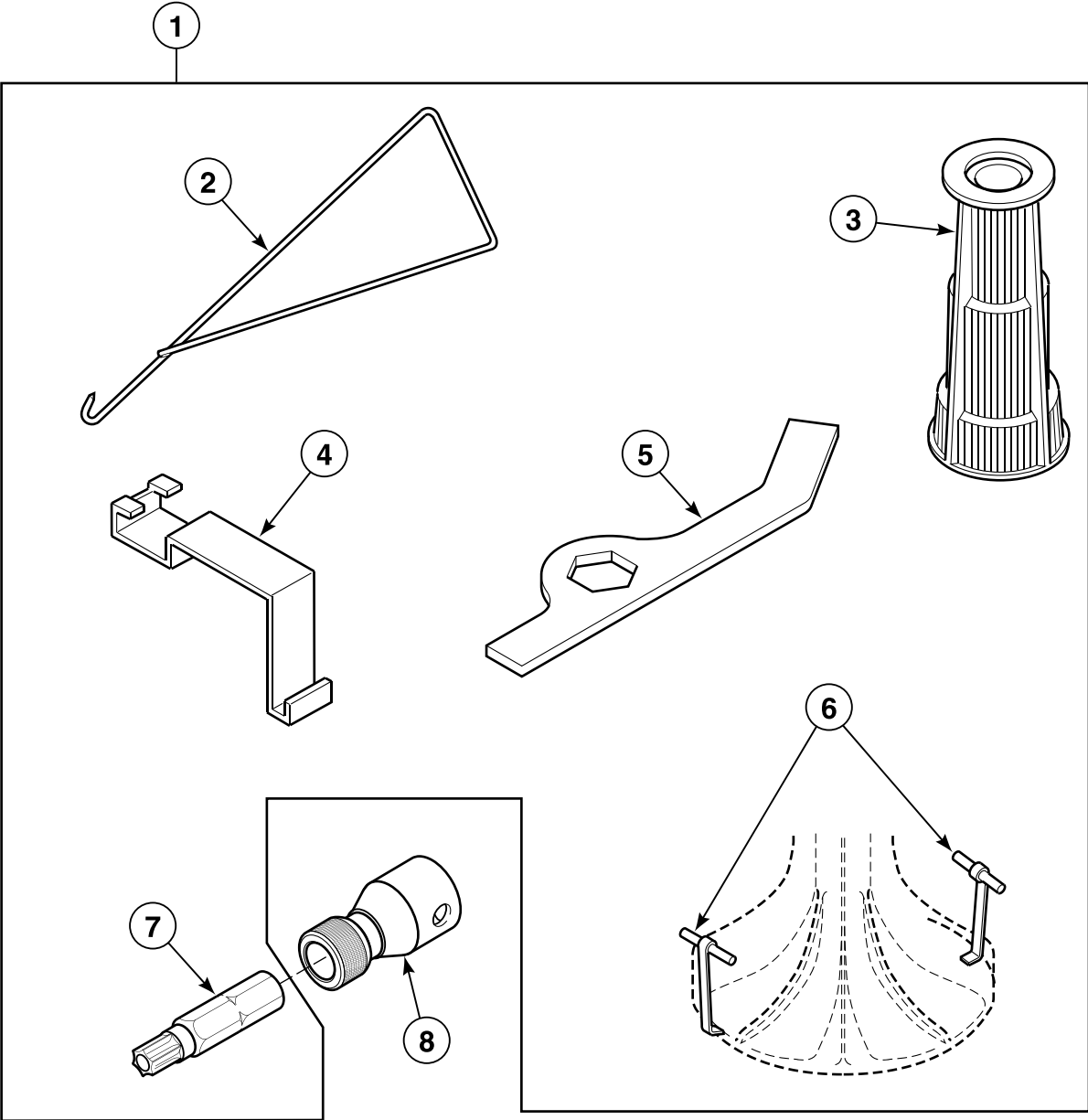
TLW1650P_39200

Shipping Materials and Special Tools

REF	PART NO.	DESCRIPTION	COMMENTS
1	200552	Shipping Brace	Install whenever moving washer; Remove before use
2	38149	Shipping Plug	Install whenever moving washer; Remove before use
3	294P4	Agitator Drive Bell Puller	For removal and installation of drive bell to transmission shaft
4	294P4B	Bolt	To update 253P4 Bell Puller
5	N/A	Drive Bell Puller Arm	To update 253P4 Bell Puller
6	CK096	Mounting Tool Kit	Use to install and remove electronic coin drops
7	310P4	Ratchet Extension Tool	1/4 inch; Use to install and remove non-electronic coin drops
8	305P4	Transmission Pin Tool	Use pin tools in place of dowel pins when reassembling transmission cover and case; 2 required

N/A = Part no longer available

Special Tools

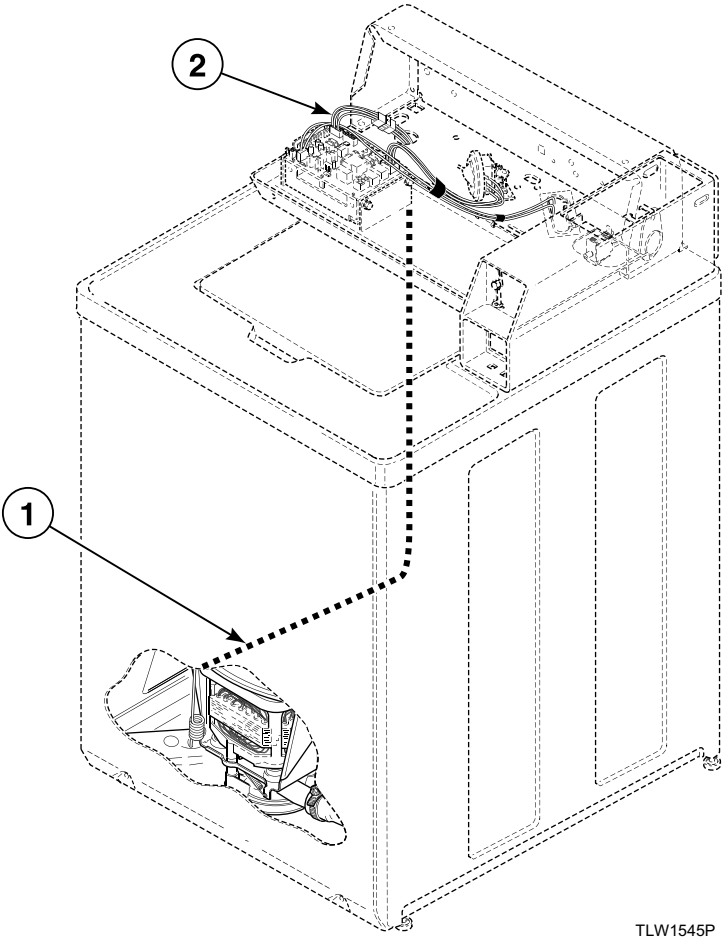


TLW1649P_39200

Special Tools

REF	PART NO.	DESCRIPTION	COMMENTS
1	725P3	Tool Kit	Includes items 2-7
2	321P4	Spring Hook Tool	For removal of centering springs from outer tub
3	293P4	Drive Bell Seal Tool	For installation of 36425 Bell and Transmission Tube Seal
4	273P4	Tub Cover Removal Tool	Use to install 38359 Tub Cover Gasket in outer tub cover
5	306P4	Hex Wrench Tool	For removal of locknut from washtub hub
6	254P4P	Agitator Hook	Use to remove agitator from drive bell; Set of 2
7	281P4	Torx Bit	T15; For removal and installation of control hood security screws
	282P4	Torx Bit	T25; For removal and installation of front panel security screws
8	24161	Bit Holder	3/8 inch drive

Wire Harnesses and Wires



TLW1545P_39200

Wire Harnesses and Wires

REF	PART NO.	DESCRIPTION	COMMENTS
	45001	18 Gauge Wire	Black; Order wire by foot and terminals as required
	45380	12 Gauge Wire	Orange; Order wire by foot and terminals as required
1	201299	Base Harness Assembly	Models HWT1A0*N, HWTV20*N, SWT2A0*N, SWT2A0*N1124, SWT2B0*N1124, SWTBA0*N, SWTBA1*N, SWTV20*N, SWTW20*N and SWTW21*N
	38772P	Base Wire Harness Assembly	Models JWT110*A, JWT110*M, JWT110*N and JWT910*N
	38661P	Wire Harness Assembly	Base; All other models
2	38870P	Wire Harness Assembly	Hood; Models HWT020*A, HWT020*C, HWT020*M, HWT020*N, SWT020*A, SWT020*M, SWT020*N, SWT021*A, SWT021*M, SWT021*N, UWT021*A, UWT021*M and UWT021*N
	39805P	Wire Harness Assembly	Hood; Models HWT110*A, HWT110*C, HWT110*M, HWT110*N, JWT110*A, JWT110*M, JWT110*N, SWT110*A, SWT110*M, SWT110*N, SWT111*A, SWT111*M, SWT111*N, SWT210*A, SWT210*A1124, SWT210*M, SWT210*M1124, SWT210*M99K5, SWT210*N and SWT210*N1124
	38867	Wire Harness Assembly	Hood; Models HWT120*A, HWT120*C, HWT120*M, HWT120*M99K5, HWT120*N, HWT121*C1123, HWT121*M1123, SWT120*A, SWT120*M, SWT120*N, SWT121*A, SWT121*A99G5, SWT121*M, SWT121*M99K5, SWT121*N, SWT220*A, SWT220*M, SWT220*M99K5, SWT220*N, SWT221*A, SWT221*M, SWT221*M99K5, SWT221*N, SWT320*A, SWT320*M, SWT321*A and SWT321*M
	36093P	Wire Harness Assembly	Hood; Models NWT721*A1126, SWT420*A, SWT420*D, SWT420*M, SWT421*A, SWT421*D, SWT421*M, SWT520*A, SWT520*M, SWT520*N, SWT521*A, SWT521*A1119, SWT521*M, SWT521*M99K5, SWT521*N, SWT620*A, SWT620*C, SWT620*D, SWT620*M, SWT621*C, SWT621*D, SWT621*D1121, SWT621*M, SWT621*M1121, SWT720*A, SWT720*M, SWT721*A and SWT721*M
	201291	Harness Assembly	Hood; Models HWT1A0*N, HWTV20*N, SWT2A0*N, SWTV20*N, SWTW20*N and SWTW21*N
	201145	Wire Harness Assembly	Hood; Models SWT220*M1124 and SWT220*N1124
	201510P	Wire Harness Assembly	Hood; Models SWTBA0*N and SWTBA1*N
	201562	Wire Harness Assembly	Hood; Model SWT2A0*N1124
	201564	Wire Harness Assembly	Hood; Model SWT2B0*N1124
	201688	Hood Harness	Models HWT820*N, HWT910*N, HWT920*N, JWT820*N, JWT910*N, JWT920*N, SWNSX2PP111TW02, SWT820*N, SWT821*N, SWT910*N, SWT910*N1124, SWT911*N, SWT920*N, SWT920*N1124, SWT921*N and UWT821*N
	201787	Wire Harness Assembly	Hood; Models SWL520*N and SWL521*N
	201796P	Wire Harness Assembly	Hood; Models SWLB20*N, SWLB21*N, SWLF20*N, SWLF21*N, SWLT20*N, SWLT21*N, SWLY20*N and SWLY21*N
	202229P	Wire Harness Assembly	Hood; All other models

* Add Letter To Designate Color. L - Almond Q - Bisque W - White

NOTE: Individual wires are not available separately. Order complete harness, or order wire by the foot. When applying terminals to wires, it is recommended that the terminals be soldered to the wires.

Parts Index

A

Actuator	
36164	13
Actuator Support	
36163	13
Adjustable Leg Extension Kit	
566P3	81
Agitate and Spin Belt	
37820	63
38174	63
Agitator	
33174	65, 67
33513	67
Agitator Cap	
36515	65, 67
Agitator Drive Bell Puller	
294P4	89
Agitator Hook	
254P4P	91
Agitator Pinion	
27003	73
Anti-Seize Compound	
27604P	73

B

Backflow Preventer	
34500	61
Balance Ring Assembly	
39836	65, 67
39837	67
Base Assembly	
39788	81
Base Harness Assembly	
201299	93
Base Wire Harness Assembly	
38772P	93
Bearing Housing Assembly	
27182	71
Bell and Transmission Tube Seal	
36425	65, 67
Bell Plug	
36511	65, 67
Bit Holder	
24161	91
Bolt	
02505	7, 11, 15, 17, 21, 23
294P4B	89
29651	11, 15
32184	51
Bracket	
201918	51
202083	55
36036	81
36037	81
Brake Kit	
38505P	79

Brake Pad Kit	
735P3	79
Bumper	
M400795	25, 27, 29, 31, 33, 35, 37, 39, 41, 43, 45, 47, 49
21685	53
Bumper Pad	
36226	81
56128	81
Bushing	
33446	53

C

Cable Clip	
21036	69, 71
Capacitor	
37377	63
Capacitor Clamp	
37535	63
Card Reader	
512473	23
Card Reader Assembly	
210045P	45, 47, 49
Card Reader Case Assembly	
39745L	23
Card Reader Harness Assembly	
800728	21
Card Reader Instruction Overlay	
38192	23
Card Reader Kit	
874P3	23
Card Reader Wire Harness Assembly	
38191	23
800125P	23, 45, 47
800215	49
Chassis Mounting Bracket	
201581	15
Clip	
201572	19
Clutch Assembly	
29503	9
Coin Drop	
38479P	17
38963P	17
Coin Drop Assembly	
38462P	17
38463	17
Coin Drop Wire Harness	
201104	19
Coin Funnel Kit	
523P3	11, 15
Coin Identification Paper	
38725	19
Coin Slide Extension	
501483	13
Coin Slide Kit	
552P3	13
Communication Board	
210095P	43, 49

N/A items do not appear in index.

Communication Connector	
210099	43, 49
Communication Wire Harness Assembly	
800219	43, 49
Connector	
F140562	87
21091	87
Control Assembly	
201567P	37, 45
201577P	15, 27
201755P	35, 39, 47
202025P	39, 47
Control Hood	
210142L	45, 49
210142W	27, 45, 47, 49
37075L	25, 31, 33, 37, 41, 43
37075Q	25, 29, 31, 33, 35, 37, 39, 41, 43
37075W	25, 29, 31, 33, 35, 37, 39, 41, 43
Control Kit	
200641P	37, 39, 41, 43, 45, 47, 49
Control Overlay	
201667	29
201668	29
201670	29
201671	29
201672	29
201674	29
201675	29
201718	27
201762	27
201763	27
201935	29
201936	27
Control Panel and Bracket Assembly	
36521LP	25, 31
36521QP	25, 29, 31
36521WP	25, 29, 31
Control Panel Assembly	
201742W	27
201791Q	35
201791W	35
201798Q	39
201798W	39
201805Q	47
201805W	47
210042L	37, 41, 43
210042Q	37, 41, 43
210042W	37, 41, 43
210137L	45, 49
210137W	45, 49
36097L	33
36097Q	33
36097W	33
Control Panel Bumper	
32648	25, 27, 29, 31, 33, 35, 37, 39, 41, 43, 45, 47, 49
Control Panel Overlay	
200587	33
201003	45
201007	45
201262	25, 31
201263	25, 31
201264	25
201274	25
201792	35
201799	39
201973	39

201974	47
210038	37, 41, 43
210069	45, 49
39096	33
Control Shield	
210053	37, 39, 41, 43, 45, 47, 49
512304	15
Control, Shield and Tape Kit	
38188P	33, 35
Counter Kit	
62113P	11
Counterweight Assembly	
38769	69, 71
Cycle Selector Switch	
201686	27, 29

D

Diagnostic Wire Harness Assembly	
800680	45, 47, 49
Disconnect Power Warning Label	
505281	27, 45, 47, 49, 55
Drain Hose	
28293	77
39893	75
Drain Hose Elbow	
36990	77
Drain Hose Sleeve	
33615	75
Drive Bell and Seal Kit	
39508P	65, 67
Drive Bell Seal Tool	
293P4	91
Drive Pinion	
37405	73
37406P	73

E

Electronic Coin Drop Assembly	
70294101P	19
Electronic Coin Drop Kit	
CK095	19
Electronic Control Shield	
36105	43, 49
End Cap	
210108W	27, 45, 47, 49
210109W	27, 45, 47, 49

F

Female Flag Terminal	
00120	87
Female Pin Terminal	
00117	87
Female Spade Terminal	
00112	87
00121	83
00223	87
Female Terminal	
00188	83, 87

N/A items do not appear in index.

Fill Hose	
20617	61
20618	61
Fill Hose Kit	
28330P	61
Friction Ring	
37937	81
Front Panel	
38335LP	81
38335QP	81
38335WP	81
Front Panel Brace	
35097	81

G

Gear and Stud Assembly	
26577	73
Graphic Overlay	
201258	25
201259	25, 31
201266	25, 31
201267	25
Grease	
36765P	65, 67
Grommet	
29175	69, 71
Grounding Clip	
00161	87

H

Harness	
512501	23
Harness Assembly	
201291	93
802904P	17
802905	17, 19
Harness Strap	
55881	87
Helix	
38008	79
Hex Wrench Tool	
306P4	91
Hinge Bushing	
36474	53
Hinge Gasket	
34338	53
Hold-Down Clip	
35865	81
Hold-Down Lug Hinge	
27103	81
Hood Back Panel	
38267	25, 29, 33, 35, 37, 39, 41, 43
Hood Harness	
201688	93
Hose Clamp	
F200204	75
20211	77
20391	77
36801	61
36802	77

39282	69, 71
800803	61
Hose Clip	
36985	69, 71
Hose Coupler	
25863	77
Hose Retainer Clip	
39177	77
Hose Stand	
38732	75
Housing, 24 Position	
32746	87
34123	87
Hub and Lip Seal Kit	
766P3A	65, 69
Hub and Seal Kit	
646P3	67
Hub Spacer	
201212	73

I

Idler Lever	
38011	63
Idler Lever Kit	
959P3	63
Idler Lever Spring	
201189	63
202032	63
39666	63
Idler Pulley	
38225P	63
Idler Shaft	
210186	63
Input Shaft	
38268P	73
Insulator	
70210	87
Isolator Post	
38325	63

J

Jumper Assembly	
513131	15

L

Lead-In Cord	
34458	85
39404	85
Leg and Stabilizer Assembly	
34443	81
Leg Plate	
27926	69, 71
Leg Spring	
37575	69
37576	69, 71
Leveling Leg	
34319	81

N/A items do not appear in index.

Lid	
201460WP	53
201760QP	53
201760WP	53
Lid and Carton Assembly	
201460LP	53
201460QP	53
Lid Hinge	
36437	53
36438	53
Lid Plug	
34153	53
Lid Switch Assembly	
37631	57
Light	
32464	25, 31
32466	25, 31
801431	27, 29, 35, 39, 47
Long Vault Timer Bracket	
200832	11
Long Vault Timer Bracket Kit	
789P3	11

M

Male Pin Terminal	
00116	87
Male Tab Terminal	
00177	27
Mechanical Counter Kit Assembly	
201280P	11, 15
Meter Case and Funnel Kit	
524P3L	11
524P3Q	11
524P3W	11
Meter Case Assembly	
38724L	17
38724Q	17
38724W	17
513104W	17
803074W	15
Meter Case Bracket Gasket	
35526	11, 15, 17
Meter Case Gasket	
26354	11, 15, 17
Meter Case Kit	
201010LP	11
201010QP	11, 15
201010WP	11, 15
Meter Case Lockdown Bracket	
35525	11, 15, 17
Meter Case Locking Bracket	
30642	11, 15, 17, 23
Meter Case Mounting Bracket Assembly	
35867	81
Meter Case Wire Harness Kit	
39955P	17
Mixing Valve	
201402P	59
201468P	59
38495P	59
Mixing Valve Mounting Bracket	
39407	61

Mixing Valve Plug	
34675	83
34676	83
Mixing Valve Screen	
24122	61
Mixing Valve-to-Tub Cover Hose	
38155	61
Motor Kit	
38034P	63
38035P	63
38036P	63
Motor Mount	
38395	63
38396	63
Motor Mount Bracket	
200941	63
Motor Shield	
34754	63
Mounting Tool Kit	
CK096	89

N

Network Board Assembly	
210016P	43, 49
Network Wire Harness Assembly	
800217	43, 49
Nut	
M400981	57
03673	85
201216	19
21899	81
23951	51
24205	25, 27, 29, 31
27222	55, 71
28803	63
29220	65, 67
29786	7, 11, 15, 17, 21, 23
29796	11, 15
30647	11, 15, 17, 23, 51
35423	63
36020	55
52566	7, 21, 23, 25, 29, 31, 33, 35, 37, 39, 41, 43, 63
52947	35, 39, 47
70054	45, 47, 49
802337	11, 15, 17

O

Opto Coupler	
200674P	17
Outer Tub Assembly	
200510P	69
200511P	69
Outer Tub Cover Assembly	
201681	71
Outer Tub Flange Kit	
636P3	69, 71
Outer Tub Kit	
37981P	71
Output Shaft	
36570P	73

N/A items do not appear in index.

Overlay	
200918	37
200919	37
201091	19
202098	37

P

Panel Clip	
M406494	27
Panel Locator	
28102	81
56079	43, 49, 81
PC Board Standoff	
210098	43, 49
Plastic Boot	
36165	13
Plug, 1 Circuit	
26302	87
Plug, 10 Circuit	
34677	83
Plug, 6 Circuit	
23041	87
Plug, 9 Circuit	
23033	87
Power Supply	
512496	23
Pressure Bulb	
30907	69, 71
Pressure Switch	
201997P	35, 39, 47
35889P	25, 27, 29, 31, 33, 37, 41, 43, 45, 49
Pressure Switch Bracket	
201789	35, 39, 47
Programming Card	
512499P	23
Pulley	
38143	79
Pulley Assembly	
38007	79
Pump	
201566P	63
Pump Assembly	
201442P	63
Pump-to-Drain Elbow Hose	
38273	77
Push-to-Start Sticker	
53738	7

R

Rack	
31526	73
Ratchet Extension Tool	
310P4	89
Rear Hood Panel	
37020	31
Rear Panel	
201732	27
201919	51
210143	45, 47, 49

Receptacle, 1 Circuit	
26301	87
Receptacle, 6 Circuit	
26708	87
Receptacle, 9 Circuit	
26163	87
Reduction Gear	
37403P	73
37404P	73
Retainer Clip	
36014	75
Retaining Ring	
23748	63
27197	73
Ring Terminal	
00110	87
Rocker Switch	
512562P	27
Roll Pin	
10416	63
Rubber Foot	
34318	81

S

Screw	
M400057	71
M402574	57
02916	7, 21, 23, 25, 29, 31, 33, 35, 37, 39, 41, 43
201110	43, 49
201773	73
20267	85
21720	11
23008	55
23222	25, 29, 31, 33, 35, 37, 39, 41, 43, 47, 49
23962	7, 23, 25, 27, 29, 31, 33, 35, 37, 39, 41, 43, 45, 47, 49, 55, 57
27196	81
27202	65, 67
27220	79
27229	63
27328	7, 15
29273	73
32814	73
33562	61
34337	53
34565	63
35148	81
35369	63, 69, 71
35527	81
35528	25, 29, 31, 33, 35, 37, 39, 47
36048	11, 15, 17
36166	13
36639	63
39397	59
39432	65, 67
39566	69, 71
39733	81
39739	79
500226	25, 29, 31
501086	25, 27, 29, 31, 33, 35, 37, 39, 41, 43, 45, 47, 49, 59
501524	15, 27, 31, 33, 35, 37, 39, 41, 43, 45, 47, 49
502431	11
503661	27, 29, 35, 37, 39, 41, 43, 45, 47, 49

N/A items do not appear in index.

503673	11, 15, 17, 23, 53
503688	11, 15, 51
511419	13
512504	23
51778	7, 21, 23
51780	81
51782	15
52864	27, 33, 35, 37, 39, 41, 43, 45, 47, 49
52909	23, 55, 63, 77, 81
80399	7
Sealant	
200996P	65
Security Kit	
904P3	51
Security Wire Harness Assembly	
38026	21
Service Cabinet Kit	
38612LP	81
38612QP	81
38612WP	81
Service Door Assembly	
39874LP	11, 17, 23
39874QP	11, 15, 17, 23
39874WP	11, 15, 17, 23
803043WP	15, 17
Shaft	
56461P	63
Shipping Brace	
200552	89
Shipping Plug	
38149	89
Silicone Grease	
26594P	79
Single Overlay	
202123	17
38717	17
Siphon Break Kit	
562P3	75, 77
Slide	
26493	73
Slide Extension Assembly	
201915	15
Spline Insert	
29728	65, 67
Spring Clip	
210202	63
Spring Hook Tool	
321P4	91
Standpipe Adapter	
36878	75
Standpipe Strap	
33489	75
Strain Relief	
32219	75
38384	55
Support Barrel	
56534	55
Switch	
27761	31
27762	25, 31
33445	57
504570	17
Switch Assembly	
55882	35, 39, 47

Switch Knob	
39897	25, 27, 29, 31
Switch Mount Assembly	
201917P	15
<hr/>	
T	
Temperature Control	
201279P	31, 41
Terminal Extractor Tool	
283P4	83
Timer	
200914P	9
201066	9
28716P	7
31111P	9
34601P	9
34602P	9
34603P	9
Timer Bracket	
35249	11
Timer Case Assembly	
37733W	7, 21, 23
Timer Harness Assembly	
29281P	9
39806P	9
Timer Knob Assembly	
26256	7
Timer Plate	
31864W	7
39481L	21
39481W	21, 23
Timer Wire Harness Assembly	
34175P	9
Tool Kit	
725P3	91
Top	
39167LP	55
39167QP	55
39167WP	55
Top Assembly	
210173LP	55
210173QP	55
210173WP	55
39185LP	55
39185WP	55
Torx Bit	
281P4	91
282P4	91
Transformer	
201375P	19, 37, 39, 45, 47
201587P	27, 29, 35
210018P	37, 41, 43, 45, 49
210019P	37, 45
Transmission Assembly	
38165P	73
Transmission Case Assembly	
33223P	73
Transmission Cover Assembly	
37471	73
Transmission Oil	
27243P	73
Transmission Pin Tool	
305P4	89

N/A items do not appear in index.

Transmission Sealant 37577P	73
Tub Assembly 39252P	65, 67
39387P	65, 67
Tub Cover and Gasket Assembly 201430	69
38573	69, 71
Tub Cover Gasket 38359	69, 71
Tub Cover Removal Tool 273P4	91
Tub Kit 39250P	65
Tubing 39124	69, 71
39125	69, 71
Tub-to-Pump Hose 38351	75, 77

U

Ultra Pod Terminal 00359	87
Upper or Lower Bearing 28944RP	79

W

Warning Label 500049	69, 71
Washer M400017	7, 21, 23, 25, 29, 31, 33, 35, 37, 39, 41, 43
02431	7, 21, 23, 25, 29, 31, 33, 35, 37, 39, 41, 43
03815	15
200608	37, 39, 41, 43, 45, 47, 49
202010	71
20290	61
21456	73
21734	7, 21, 23
21735	85
23225	7, 23
25100	51
25820	35, 39, 47
26509	73, 79
27015	79
28094	65, 67
28605	61
29260	73
30627	7, 21, 23
35092	73
35535	79
37772	63
39249	69, 71
504082	63
52549	63
802254	61
81392	63
91176	25, 27, 29, 31
Washtub Gasket 39122	65, 67
Washtub Kit 719P3	65

Water Temperature Switch 81799	25, 27, 29
Weldment and Bearing Assembly 39253	79
39254	79
Wire Clip 36274	87
504034	87
51291	87
Wire Guard 201595P	17
Wire Harness Assembly 201145	93
201510P	93
201562	93
201564	93
201787	93
201796P	93
202229P	93
34092P	7
36093P	93
38661P	93
38848	17
38867	93
38870P	93
39805P	93
Wire, 12 Gauge 45380	93
Wire, 18 Gauge 45001	93

N/A items do not appear in index.

